



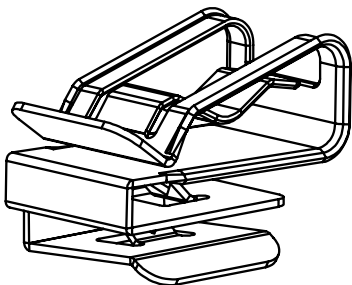
Wire Management Solutions

ACME CABLE CLIPS CABLE TIES

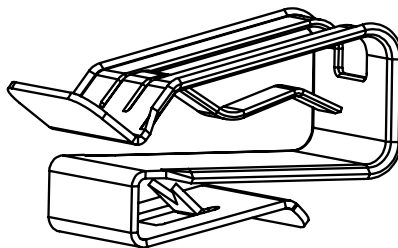
INSTALLATION INSTRUCTIONS

For *First Solar Series 6 Modules* only

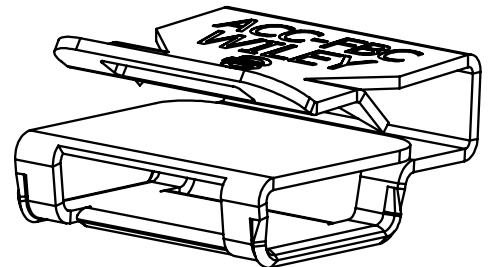
BURNDY recommends that the sufficient details of the installation be submitted to the AHJ for approval before any work is started.



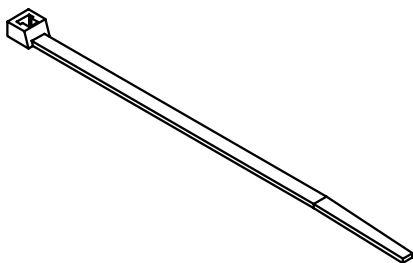
ACC-F90-1



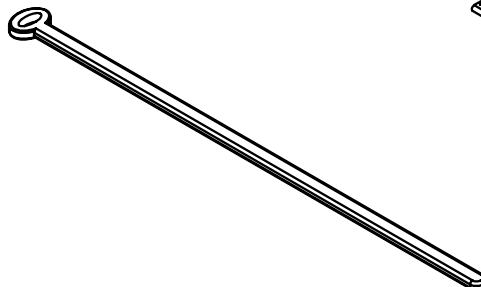
ACC-FPV



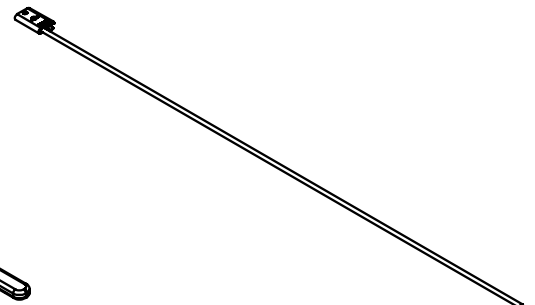
ACC-FBC



UNIRAP™



WILEY INSULATED STRAP



WILEY BUNDLER STRAP



Products are tested to UL 1565 & CSA C22.2 No. 18.5-13, US/Canadian standards for safety Positioning Device.



WIRE MANAGEMENT PRODUCTS-FEATURES

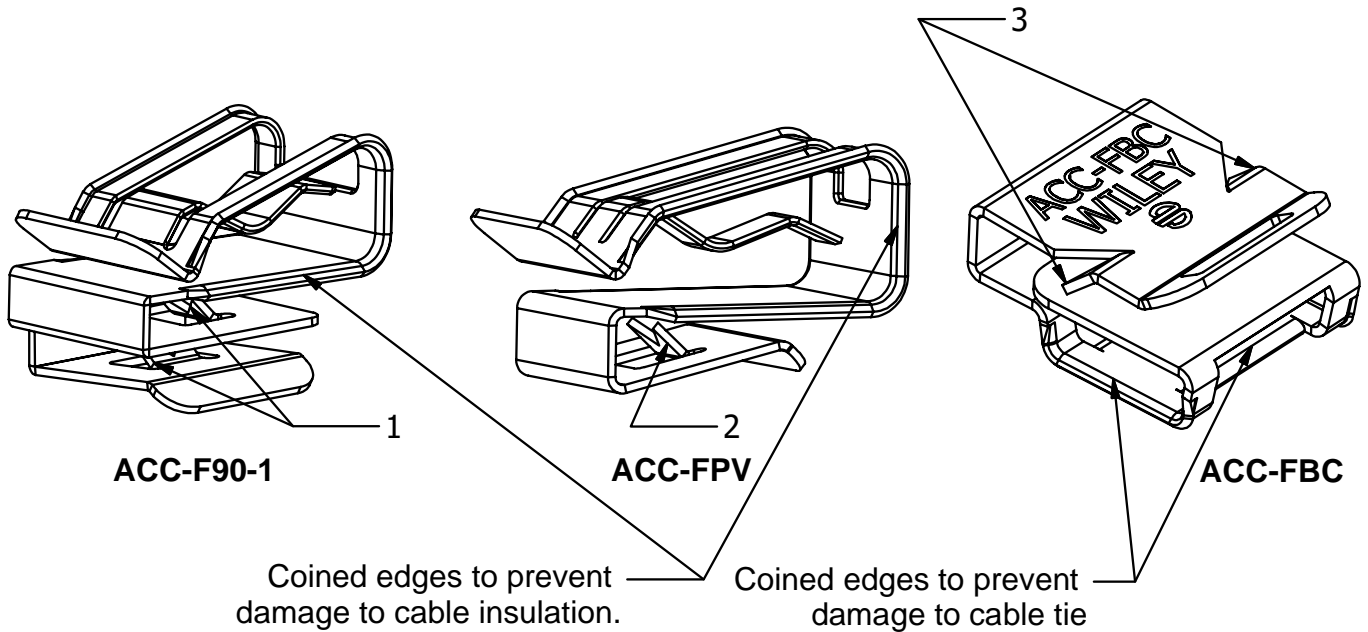
ACME CABLE CLIPS-SOLUTIONS

Engineered for high-quality wire management solutions, Wiley Cable Clips simplify wire management and leads to safer and more reliable wiring of the solar PV array.

The clips are made of corrosion resistant 304 stainless steel, which makes them a durable, long lasting and reliable solution for all environments.

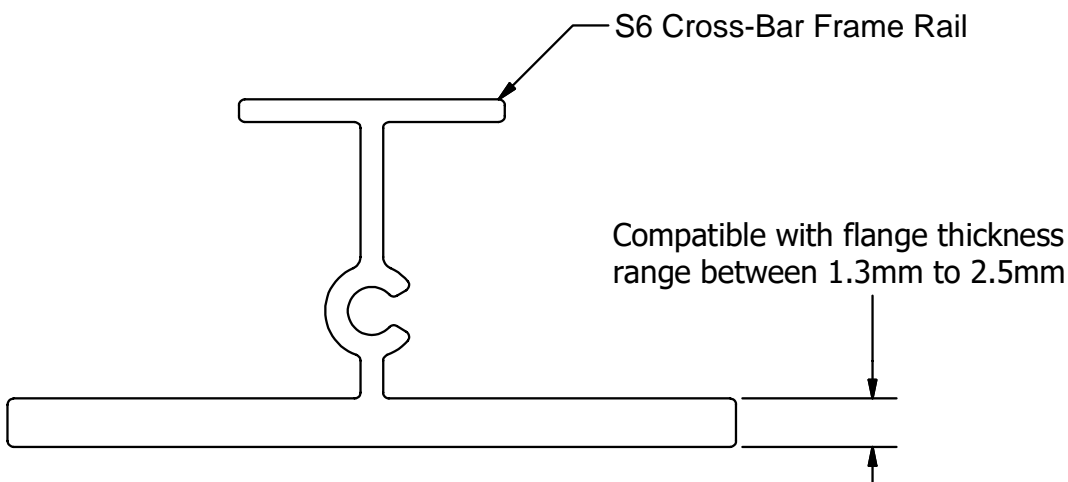
The design is easy to install, no tool is required to install and reusable.

Custom designs are available upon request. For more information regarding module compatibility, please see the technical documents section of our website.



***The above mentioned 1, 2 and 3 are special tabs for easy installation and removal.**

ACME CABLE CLIPS-COMPATIBILITY

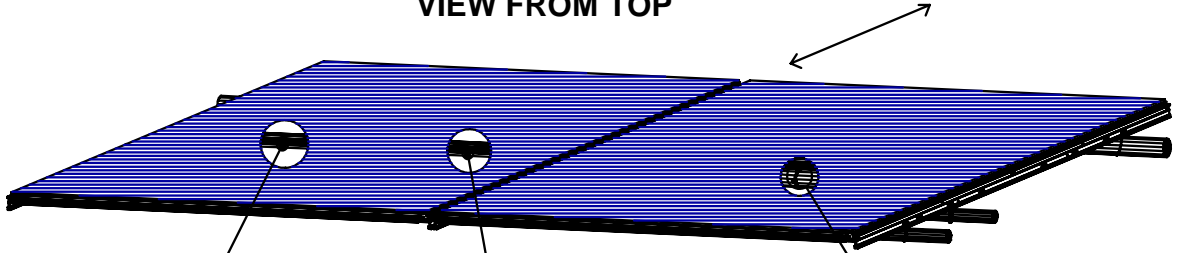


CABLE TIES (WIS, WBS, UNIRAP)

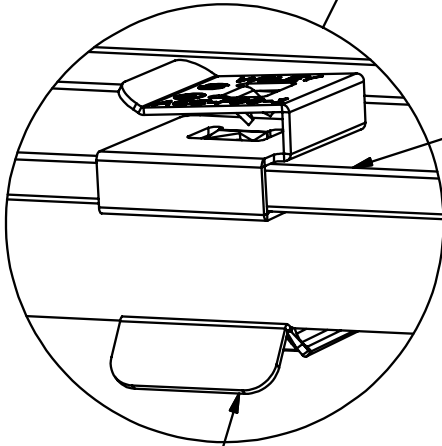
For information regarding Wiley cable ties, please see the technical documents section of our website.

ACME CABLE CLIPS

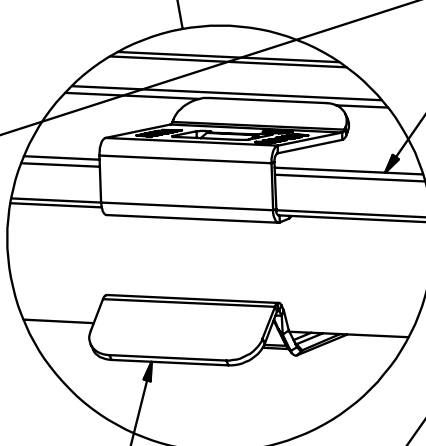
VIEW FROM TOP



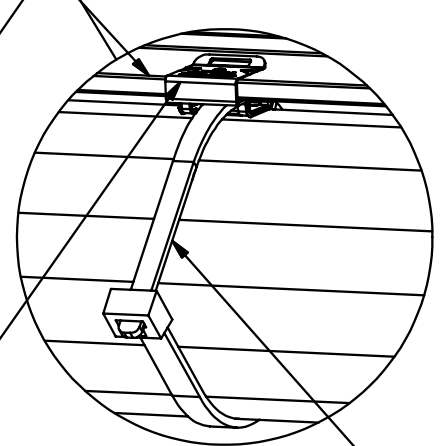
S6 Cross-Bar Frame Rail



ACC-F90-1



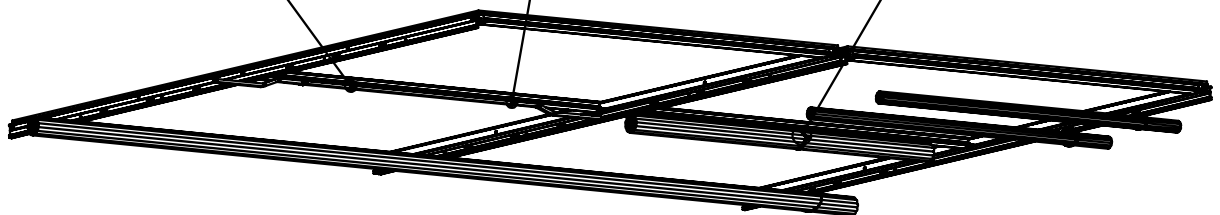
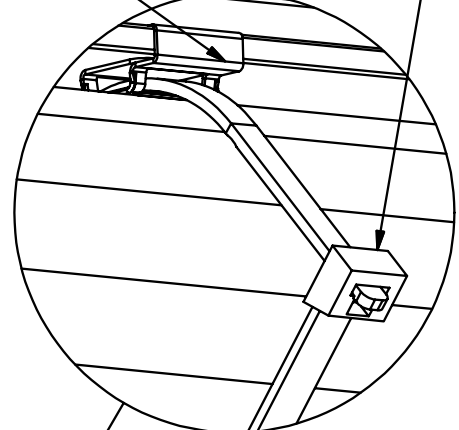
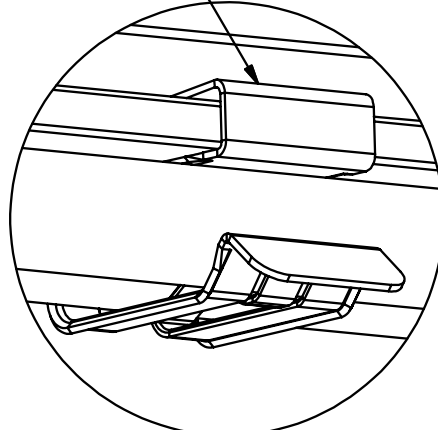
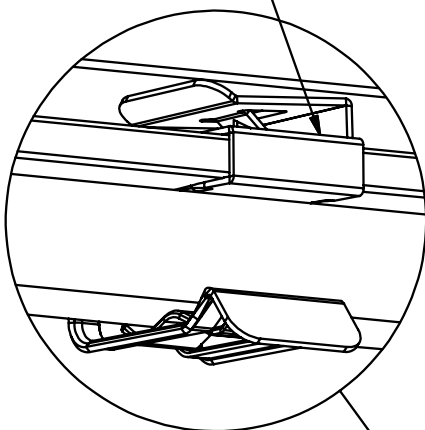
ACC-FPV



ACC-FBC

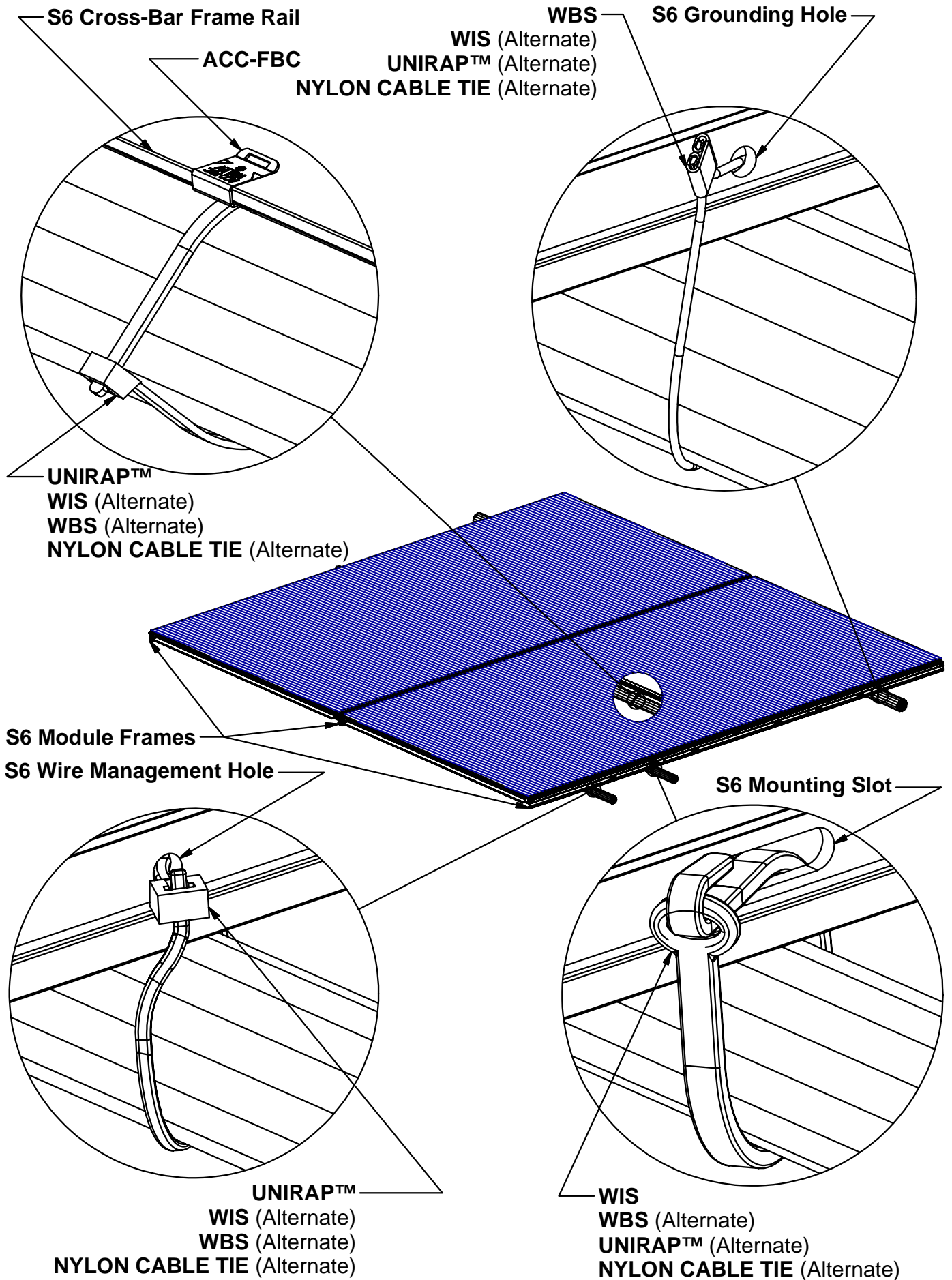
(WILEY ACC-FBC
Mounting base with Cable Ties)

UNIRAP™



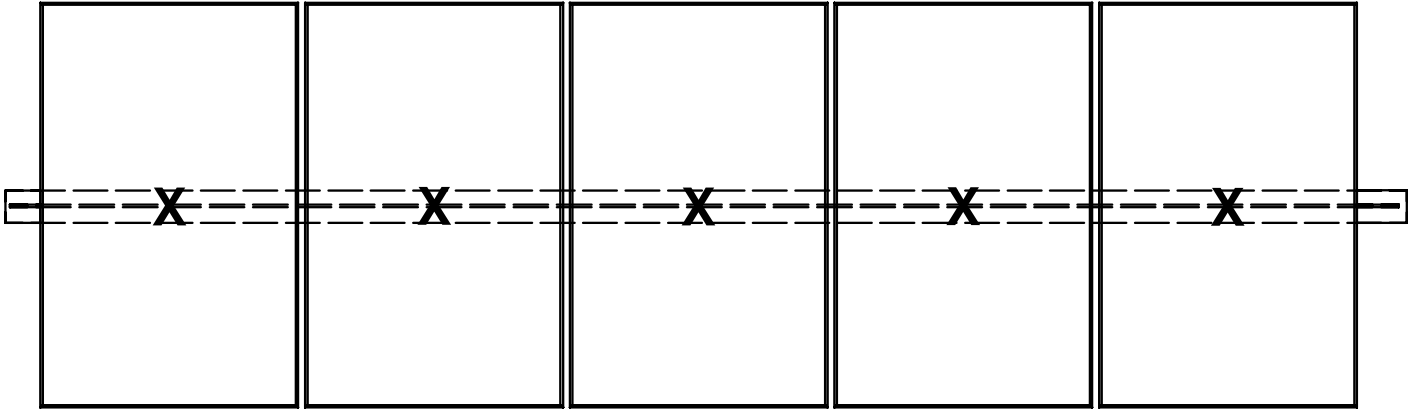
VIEW FROM BOTTOM

CABLE TIES



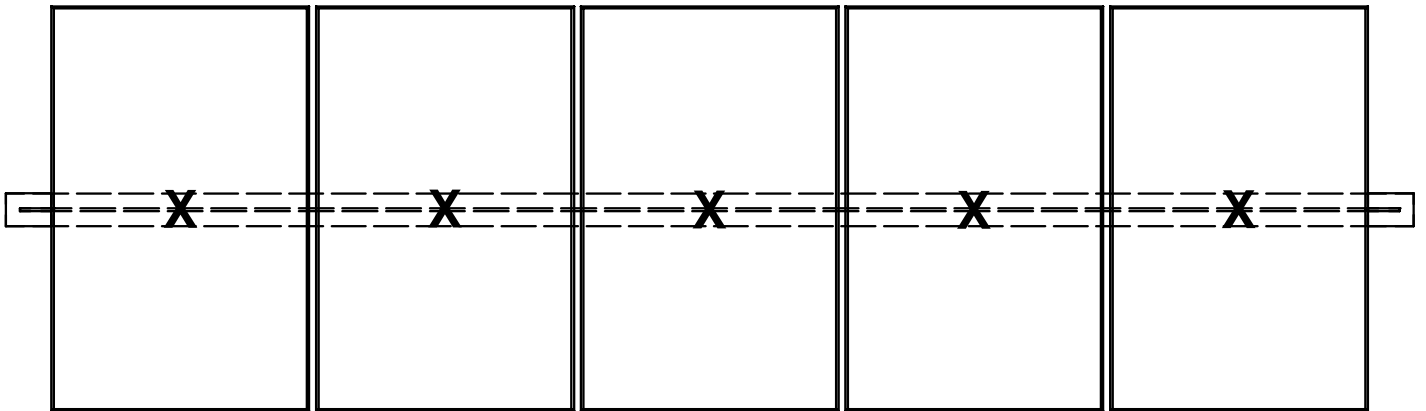
WIRE MANAGEMENT LAYOUTS

LAYOUT-1



X DENOTES PLACES TO INSTALL **ACC-FPV** OR **ACC-F90-1**

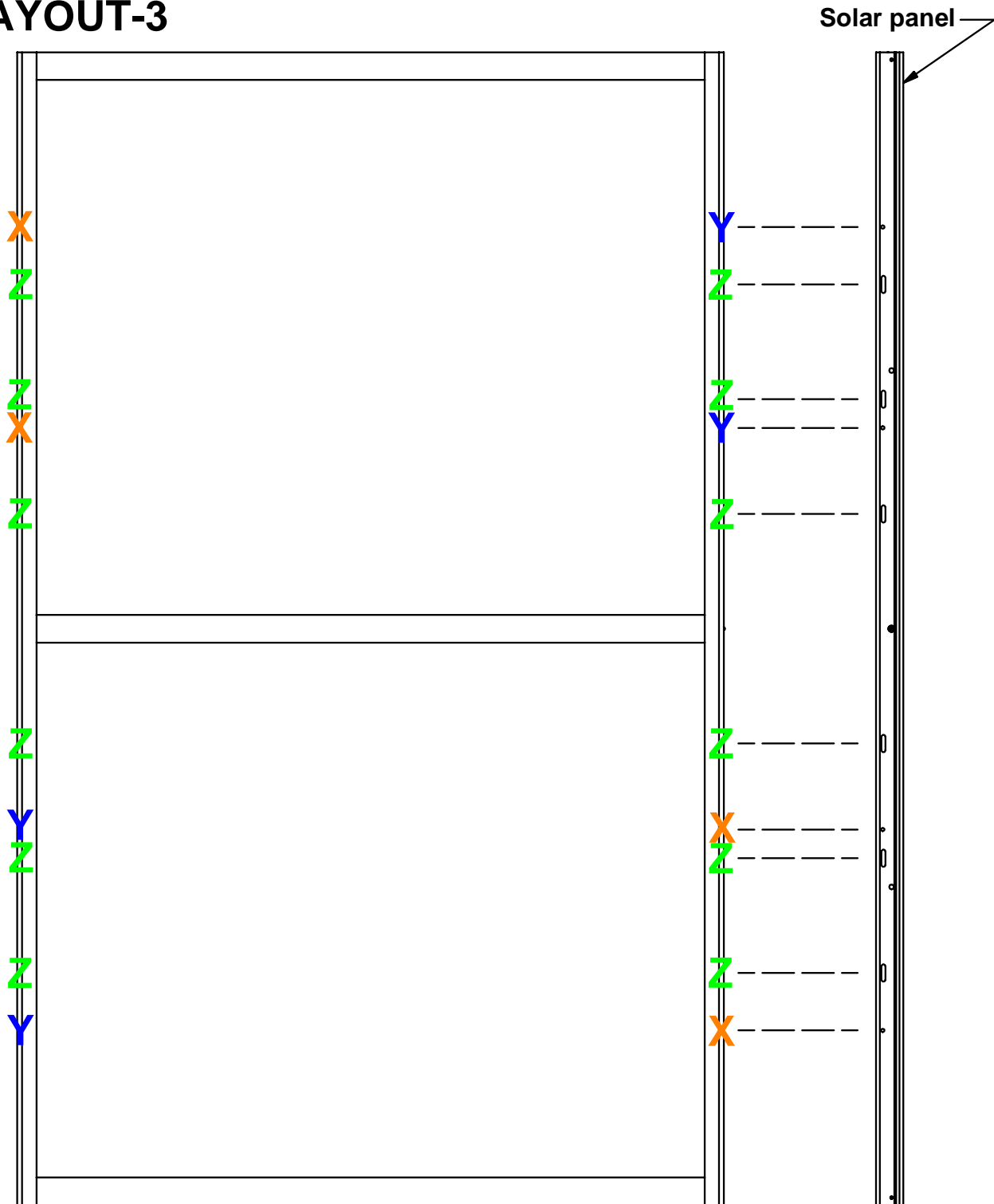
LAYOUT-2



X DENOTES PLACES TO INSTALL
(**ACC-FBC** WITH **WBS**) OR
(**ACC-FBC** WITH **UNIRAP™**) OR
(**ACC-FBC** WITH **NYLON CABLE TIE**)

WIRE MANAGEMENT LAYOUTS

LAYOUT-3



X DENOTES PLACES FOR WIRE MANAGEMENT ATTACHMENT HOLES.

Y DENOTES PLACES FOR WIRE GROUNDING HOLES

Z DENOTES PLACES FOR MOUNTING SLOTS

X, Y AND Z PLACES TO INSTALL WIS OR WBS OR UNIRAP™ OR NYLON CABLE TIE

Customer Service Department
7 Aviation Park Drive
Londonderry, NH 03053
1-800-346-4175
1-603-647-5299 (International)