



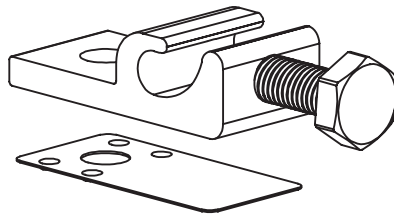
Washer, Electrical Equipment Bond

WEEB

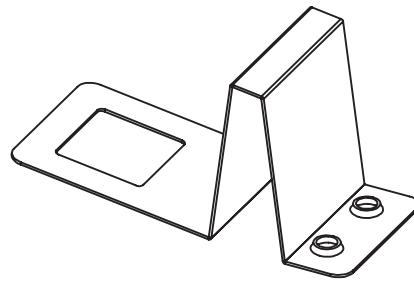
INSTALLATION INSTRUCTIONS

For Solar Liberty Smart Raxx

Please read carefully before installing.



WEEBL-6.7



WEEB-SSF

Products are tested to UL 467
UL standard for safety grounding and bonding equipment



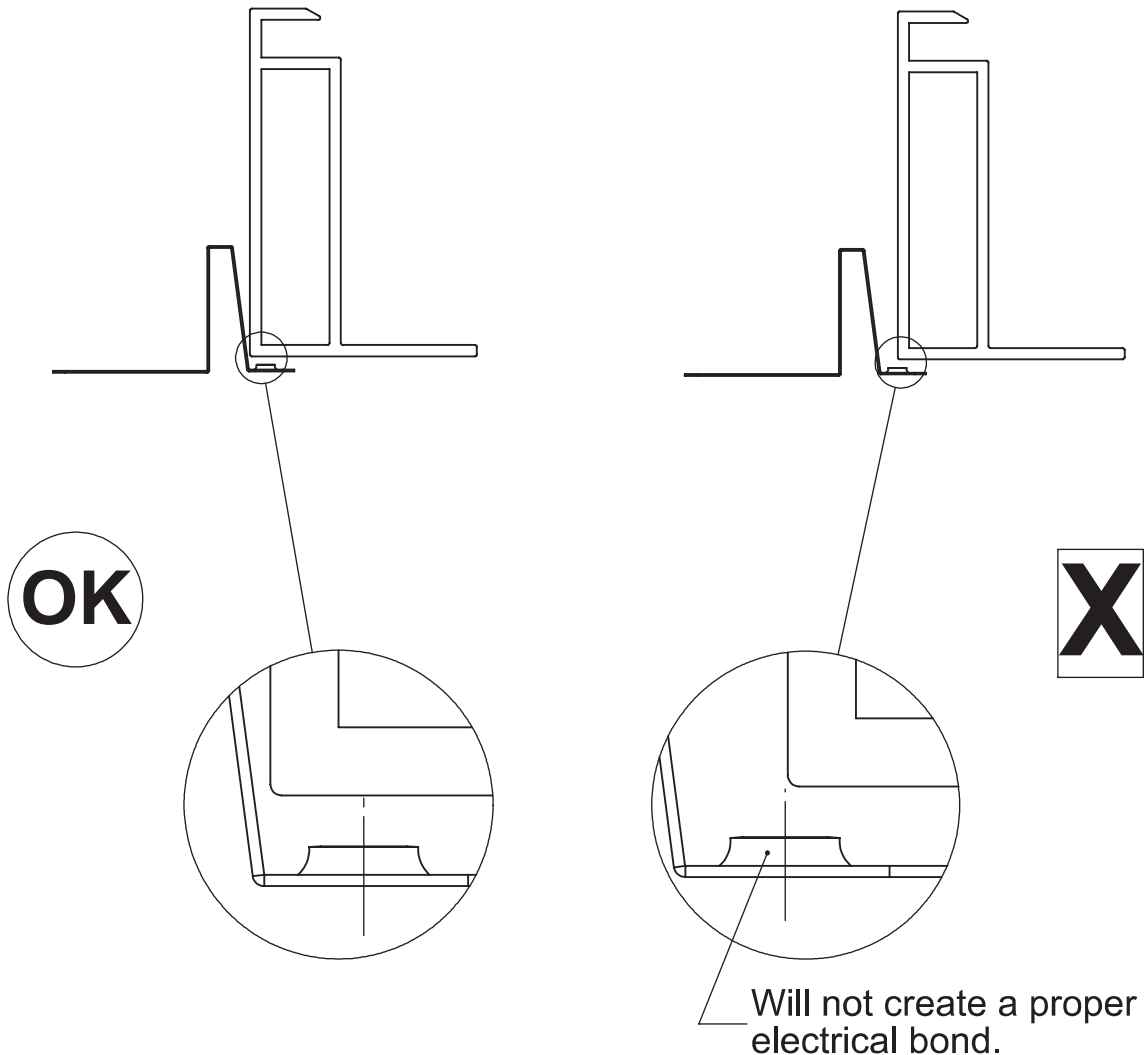
3098177

WEEB COMPATIBILITY

The WEEB family of products can be used to bond anodized aluminum, galvanized steel, steel and other electrically conductive metal structures.

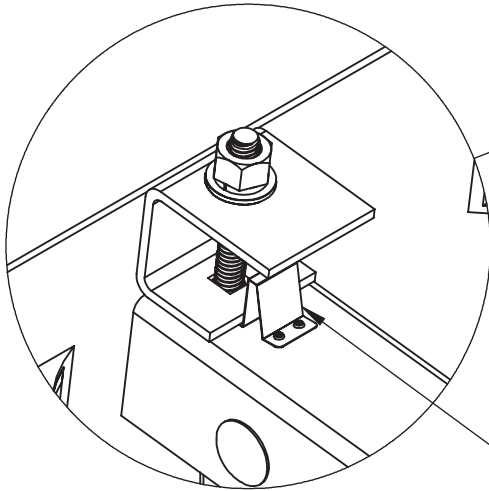
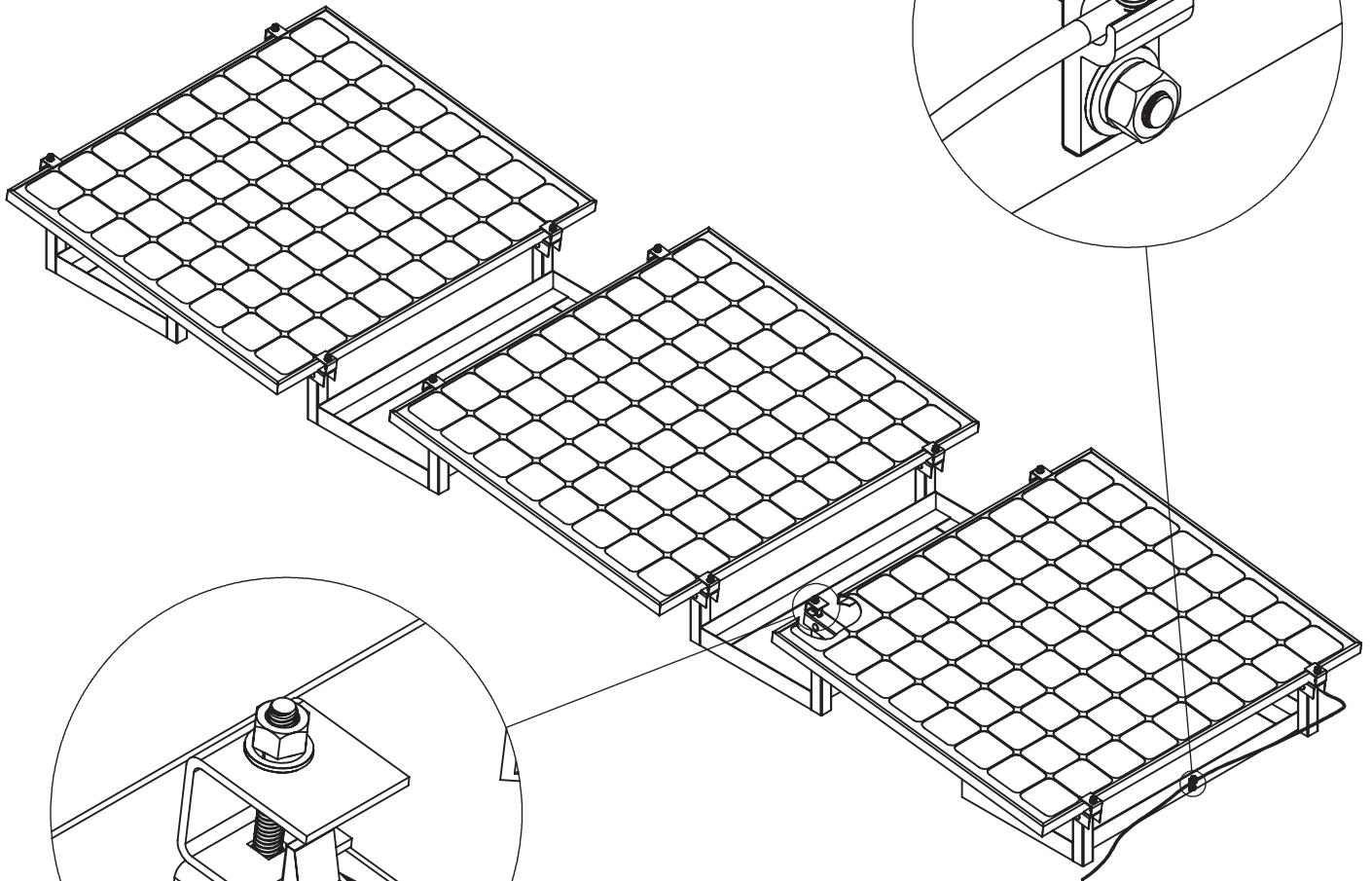
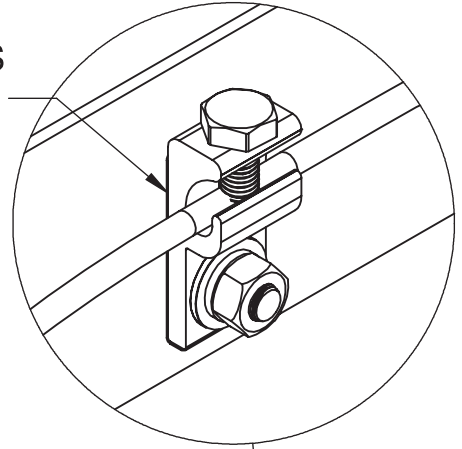
WEEB Alignment

The WEEB-SSF used for bonding the PV modules to the mounting rails is designed to automatically adjust for slight variations in module spacing. It is still necessary to make sure that the WEEB teeth are positioned completely under the edge of the module frame. The following are examples of proper and improper tooth alignment.



SYSTEM OVERVIEW

Use one WEEBL-6.7 per N-S column to connect system to equipment ground conductor



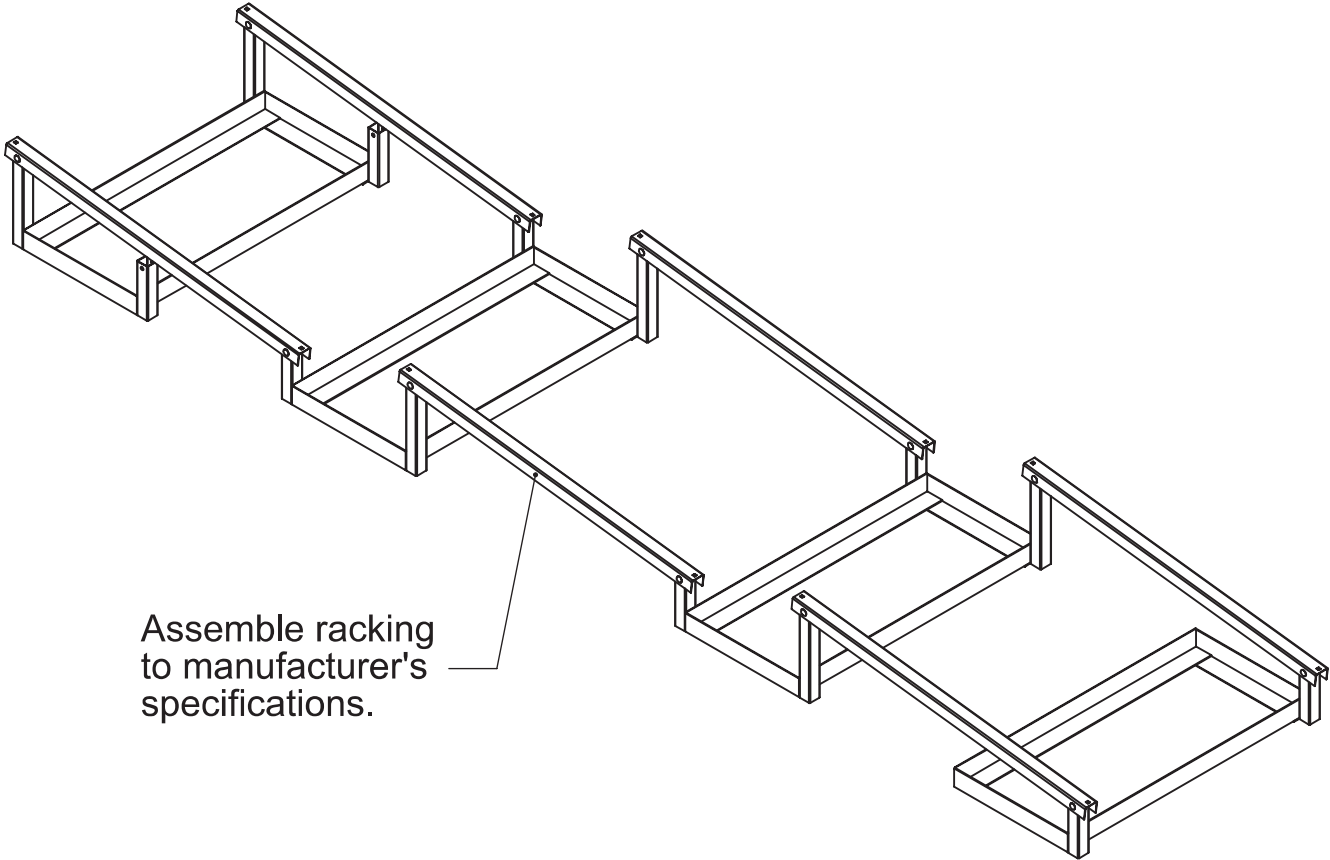
Use WEEB-SSF to bond solar modules to the racking system.

Important notes

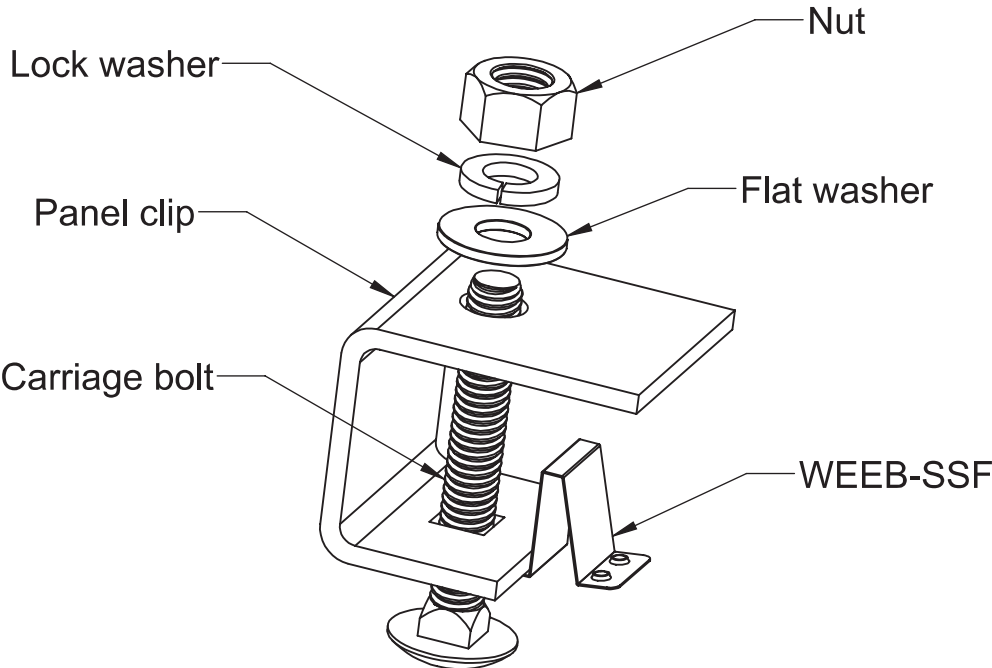
1. Use general purpose anti-seize compound on fastener threads when installing WEEBs.
2. WEEBs are intended for SINGLE USE ONLY. Functionality will not be guaranteed if reused.

WEEB-SSF ASSEMBLY

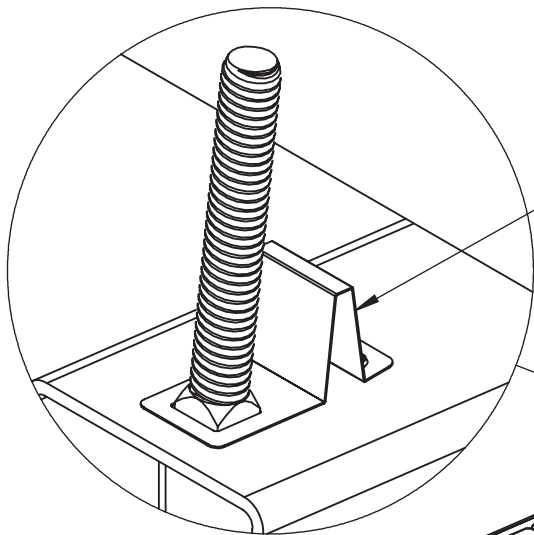
1



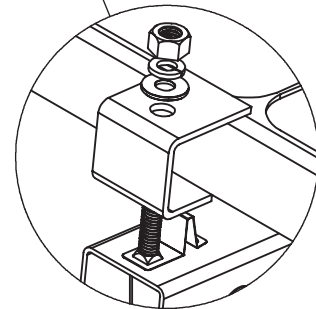
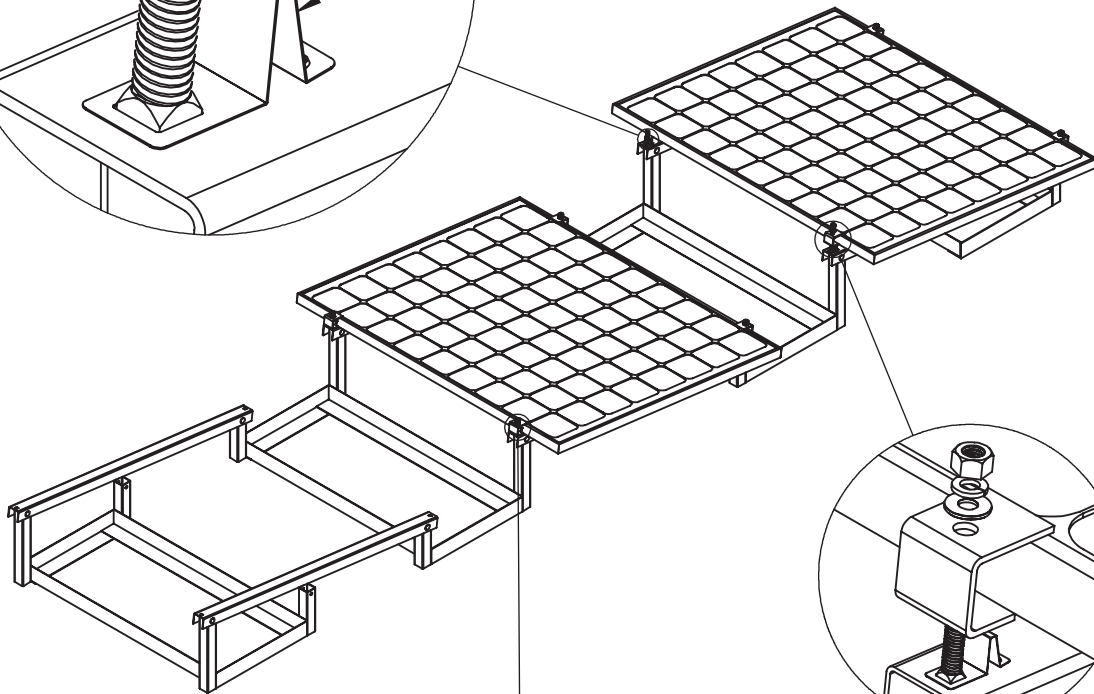
2



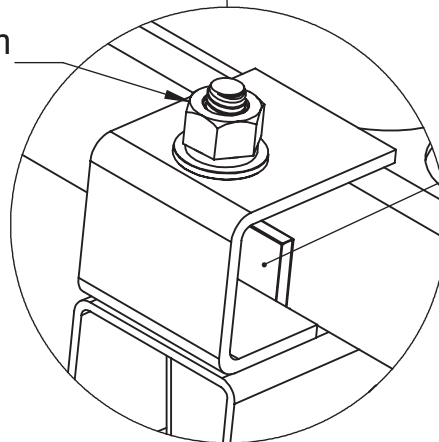
3



Slightly lift solar module and slide the WEEB-SSF teeth under the frame. Insert carriage bolt through the panel support and through the square hole in the WEEB.



Tighten fasteners to at least 10 ft-lb / 13.5 N-m using general purpose anti-seize on threads.



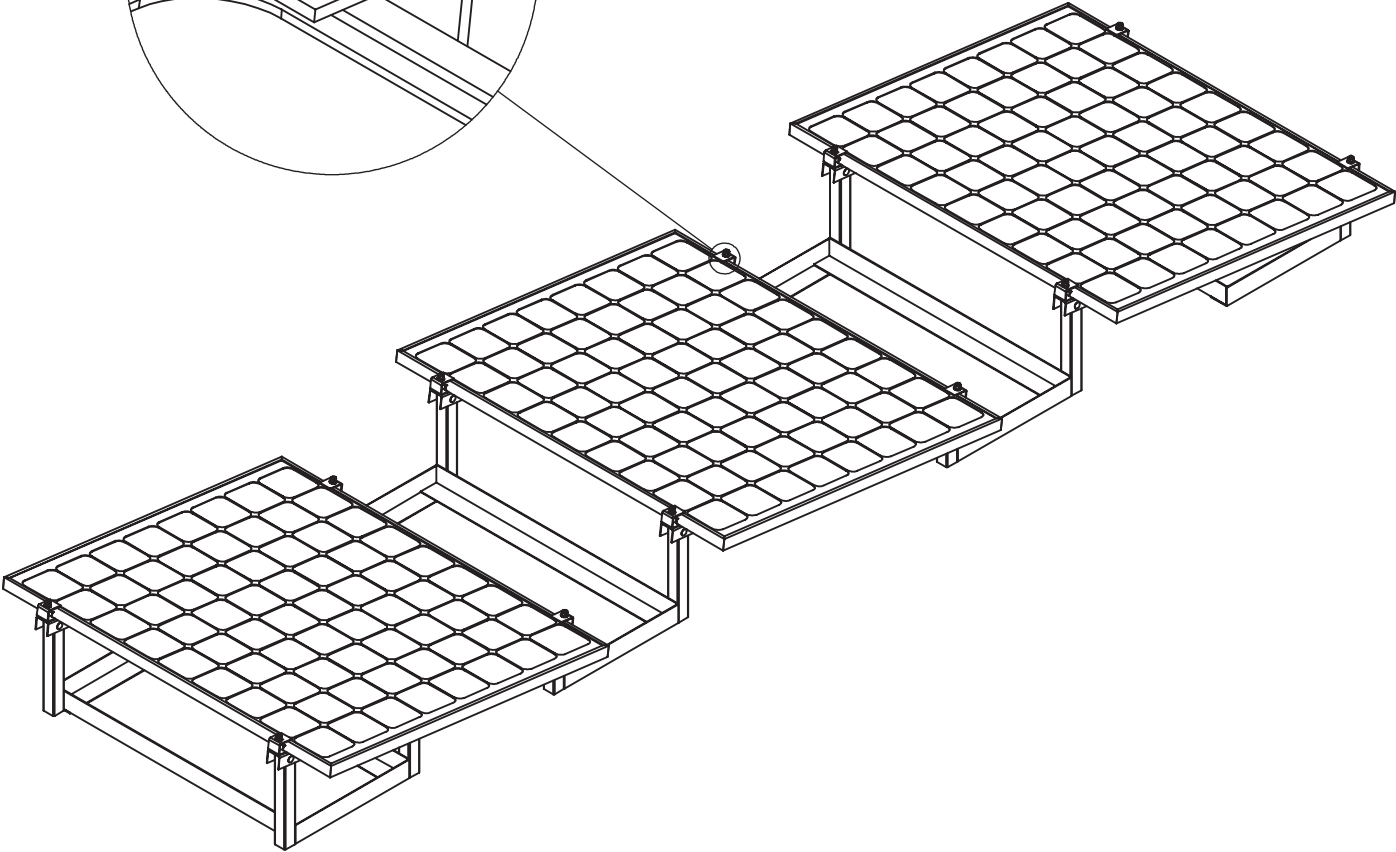
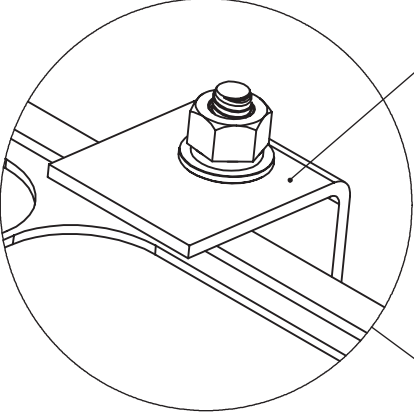
Lower the panel onto the WEEB teeth and the panel support. The WEEB-SSF will flex out of the way, aligning itself to the edge of the module frame.

Important note:

WEEBs are for SINGLE USE ONLY! Do not torque fasteners down if position of solar modules is not finalized. Only slightly tighten fasteners to keep modules in place.

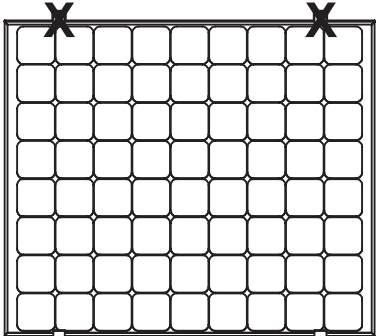
4

Assemble remaining clamps to manufacturer's specifications.



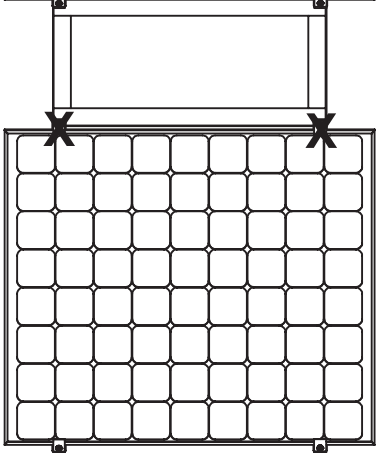
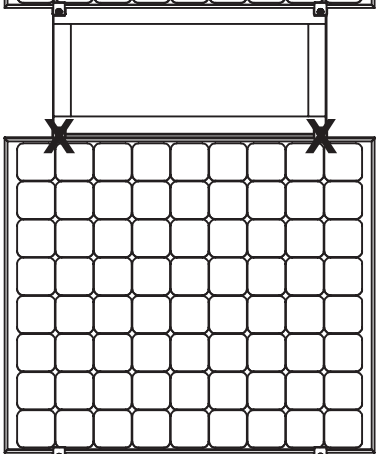
WEEB-SSF LAYOUT

N



X DENOTES PLACES TO
INSTALL WEEB-SSF

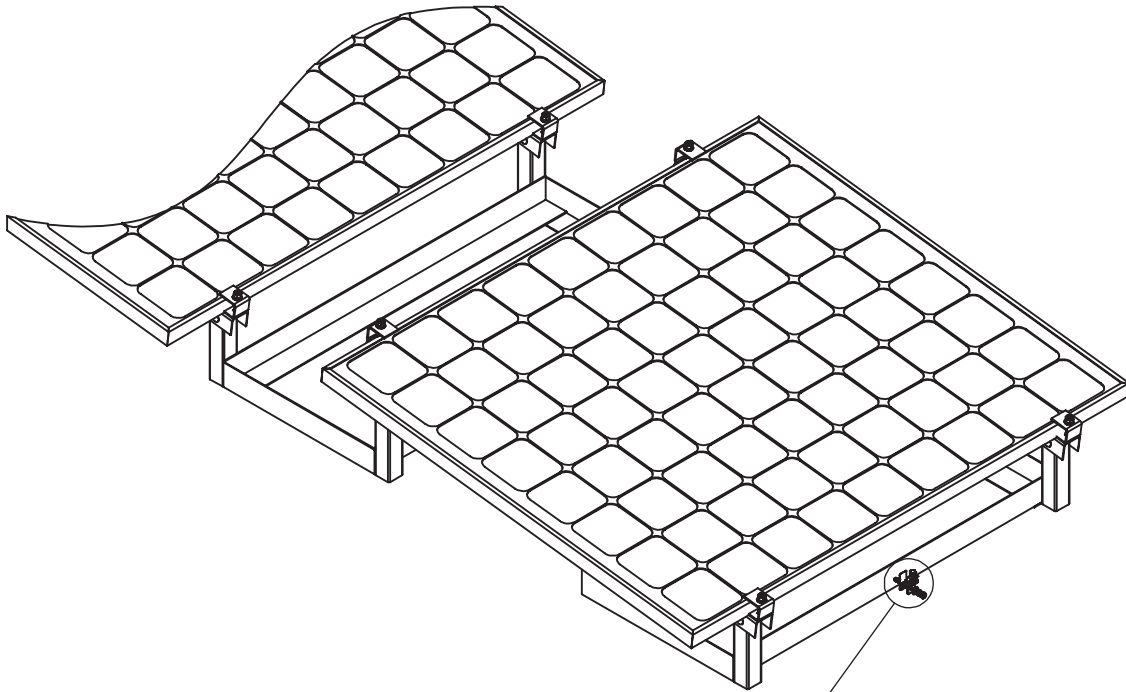
WEEB-SSF NEEDED =
OF MODULES X 2



S

WEEBLUG ASSEMBLY

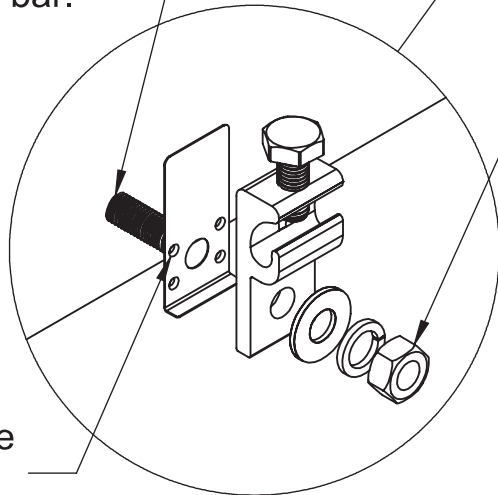
5



Drill bolt clearance hole
 \varnothing 17/64in / 7mm on
ballast basket assembly
or panel support bar.

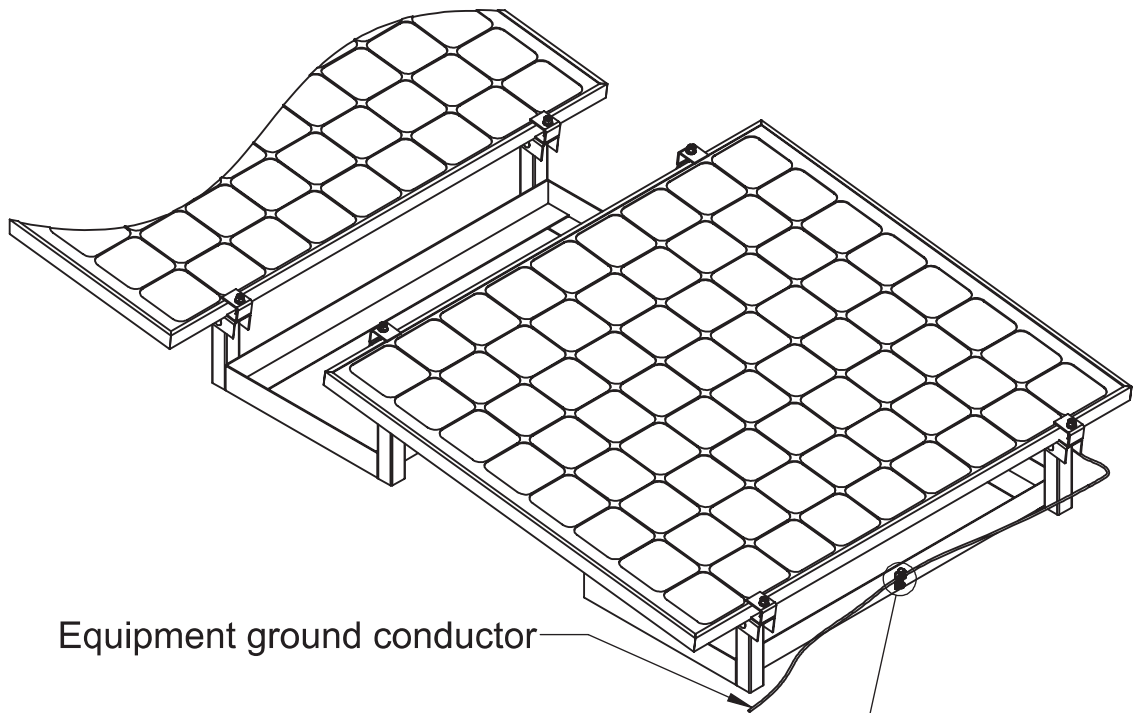
Assemble the WEEBL-6.7
and tightent fasteners to
10 ft-lb / 13.5 N-m using
general purpose anti-seize
on threads.

WEEB teeth face
away from lug.



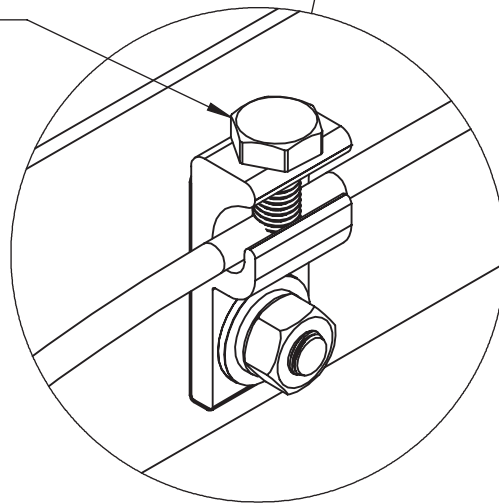
Important note:
WEEB-6.7 that sits under the WEEBLug is for **SINGLE USE ONLY!**
Ensure position is correct before tightening.

6



Equipment ground conductor

Lay in equipment ground conductor and torque bolt to 7 ft-lb / 10 N-m.



Customer Service Department

7 Aviation Park Drive
Londonderry, NH 03053

1-800-346-4175

1-603-647-5299 (International)