

Electrical Enclosures



Section



WORLD CLASS ELECTRICAL ENCLOSURES

WCT Series Enclosures	186
CT Series Enclosures	187-188
SSC Ultimate Series Enclosures	189-191
WSSC Ultimate Series Enclosures	192-194
CSSST Ultimate Series Enclosures	194-196
Technical Data	197-198

**WCT SERIES ENCLOSURES
NEMA 3R SCREW COVER WALL-MOUNT**

Applications

Designed for use as transformer housings, junction boxes, and service boxes.

Construction


- Drip shield top and smooth seamless sides and front
- A slip-on removable cover is securely fastened with plated screws located along bottom edge
- No gasketing is required
- Mounting holes on back of cabinet
- Door handles provided
- Hasp for padlocking and provisions for meter seal are provided
- Grounding provisions provided
- For removal of cover, move downward, then outward


Finish

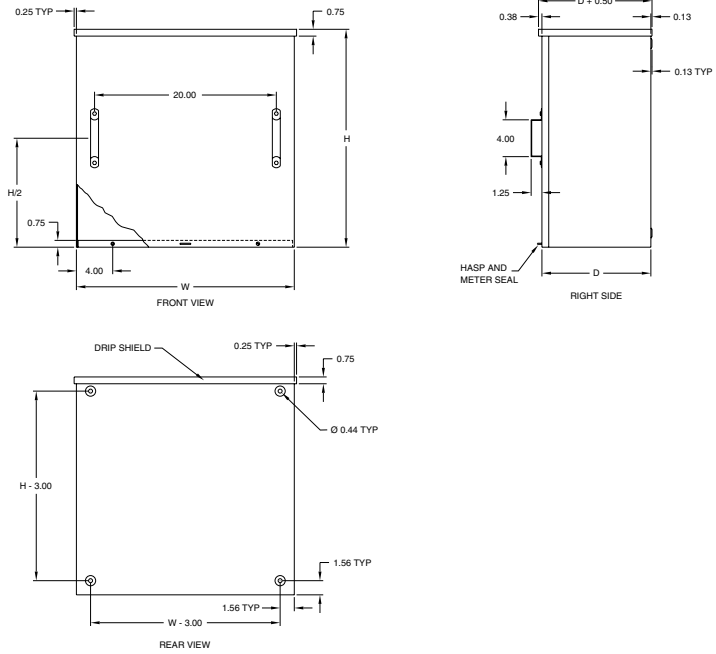
- ANSI-61 gray polyester powder inside and out

Industry Standards

UL 50, Types 1 & 3R
 CSA Certified, Type 1 & 3R
 NEMA/EEMAC Type 1 & 3R

 UL File E23553

 CSA File LL66078



WCT SERIES SCREW COVER ENCLOSURES

Catalog Number	Body/Door Steel Gauge	Height (Inches)(Cm.)	Width (Inches)(Cm.)	Depth (Inches)(Cm.)
WCT242412	14/14	24.00 (61.0)	24.00 (61.0)	12.00 (30.5)
WCT303012	12/12	30.00 (76.2)	30.00 (76.2)	12.00 (30.5)
WCT363012	12/12	36.00 (91.4)	30.00 (71.5)	12.00 (30.5)
WCT363612	12/12	36.00 (91.4)	36.00 (91.4)	12.00 (30.5)
WCT483616	12/12	48.00 (122.0)	36.00 (91.4)	16.00 (40.6)

CT SERIES ENCLOSURES NEMA 3R SINGLE DOOR HINGE COVER

Applications

Enclosures are designed as a housing for current and voltage transformers, recorders, meters, junction, service box, relay and/or for terminal instrumentation.

Construction

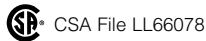
- Manufactured from 14 and 12 gauge carbon steel
- Fully seam welded and ground smooth, with weep hole
- Drip shield
- Lift off hinges, gasketed doors
- Supplied with non-locking 1/4 turn latch
- Meter seal provisions
- Mounting holes in back
- Supplied with studs in back of enclosure

Finish

- ANSI 61 polyester powder inside and out

Industry Standards

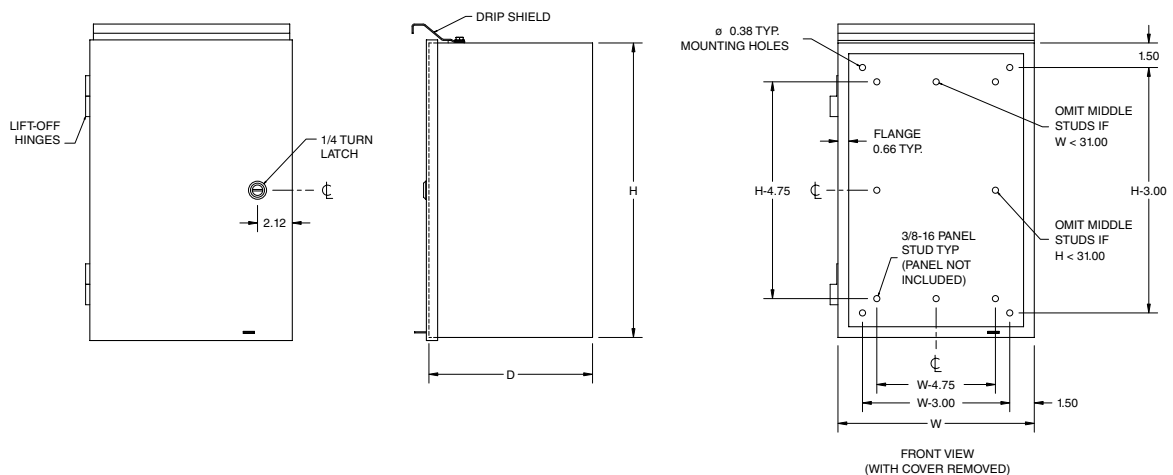
UL Listed Type 3R



CT SERIES SINGLE DOOR HINGE COVER ENCLOSURES

Catalog Number	Body/Door Steel Gauge	Height (Inches)(Cm.)	Width (Inches)(Cm.)	Depth (Inches)(Cm.)	Panel Catalog
CTSD121810	14	18.00 (45.7)	12.00 (30.5)	10.00 (25.4)	WBP1812
CTSD182410	14	24.00 (61.0)	18.00 (45.7)	10.00 (25.4)	WBP2418
CTSD202010	14	20.00 (50.8)	20.00 (50.8)	10.00 (25.4)	WBP2020
CTSD202412	14	24.00 (61.0)	20.00 (50.8)	12.00 (30.5)	WBP2420
CTSD242412	14	24.00 (61.0)	24.00 (61.0)	12.00 (30.5)	WBP2424
CTSD243012	14	30.00 (76.2)	24.00 (61.0)	12.00 (30.5)	WBP3024
CTSD243612	14	36.00 (91.4)	24.00 (61.0)	12.00 (30.5)	WBP3624
CTSD303612	12	36.00 (91.4)	30.00 (76.2)	12.00 (30.5)	WBP3630

Note: Second numerical value of catalog # represents height.



**CT SERIES ENCLOSURES
NEMA 3R DOUBLE DOOR HINGE COVER**

Applications

Enclosures are designed as a housing for current and voltage transformers, recorders, meters, junction, service box, relay and/or for terminal instrumentation.

Construction


- Manufactured from 14 and 12 gauge carbon steel
- Fully seam welded and ground smooth, with weep hole
- Drip shield
- Lift off hinges, gasketed doors
- Supplied with non-locking "T" handle
- Meter seal provisions
- Mounting holes in back
- Supplied with studs in back of enclosure


Finish

- ANSI 61 polyester powder inside and out

Industry Standards

UL Listed Type 3R

 UL File E23553

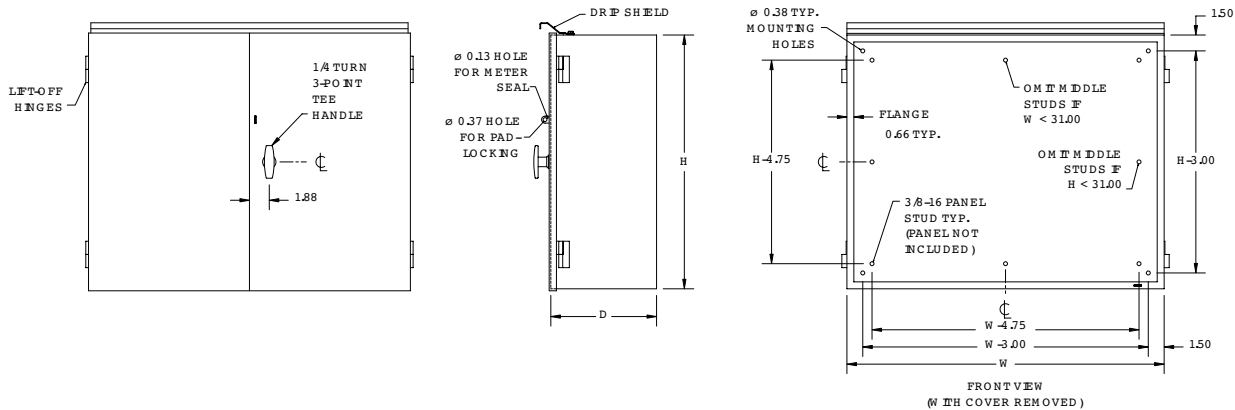
 CSA File LL66078



CT SERIES SINGLE DOOR HINGE COVER ENCLOSURES

Catalog Number	Body/Door Steel Gauge	Height (Inches)(Cm.)	Width (Inches)(Cm.)	Depth (Inches)(Cm.)	Panel Catalog Number*
CTDD302410	14	24.00 (61.0)	30.00 (76.2)	10.00 (25.4)	WBP3024
CTDD303012	12	30.00 (76.2)	30.00 (76.2)	12.00 (30.5)	WBP3030DD
CTDD303612	12	36.00 (91.4)	30.00 (76.2)	12.00 (30.5)	WBP3630
CTDD362412	14	24.00 (61.0)	36.00 (91.4)	12.00 (30.5)	WBP3624
CTDD363012	12	30.00 (76.2)	36.00 (91.4)	12.00 (30.5)	WBP3630
CTDD363212	12	32.00 (81.3)	36.00 (91.4)	12.00 (30.5)	WBP3236DD
CTDD363612	12	36.00 (91.4)	36.00 (91.4)	12.00 (30.5)	WBP3636DD
CTDD363616	12	36.00 (91.4)	36.00 (91.4)	16.00 (40.6)	WBP3636DD
CTDD443012	12	30.00 (76.2)	44.00 (76.2)	12.00 (30.5)	WBP3044DD
CTDD424212	12	42.00 (106.7)	42.00 (106.7)	12.00 (30.5)	WBP4242DD
CTDD484816	12	48.00 (121.9)	48.00 (121.9)	16.00 (40.6)	WBP4848DD

Note: Second numerical value of catalog # represents height.



N412 - SSC ULTIMATE SERIES ENCLOSURES NEMA 4X SINGLE DOOR WALL-MOUNT

Applications

N412SSC ULTIMATE Stainless Steel Series Enclosures are designed to house and protect electrical and electronic components from harsh, dirty environments. For use in installations where dirt, dust, oil, water, or other contaminants are present. It is typically used in the following areas where corrosion-resistant protection is needed: food processing plants, pharmaceutical manufacturing facilities, petrochemical plants, pulp and paper processing, and waste water treatment facilities. Streamlined styling, flush latching, and attractive Stainless Steel finish complement any high tech electronic equipment.

Construction

- Bodies and doors fabricated from 14 gauge 304 or 316L Stainless Steel
- Continuously Plasma welded seams
- Increased tub opening for better access
- Concealed hinges
- Doors are interchangeable and easily removable
- Ground stud located in door
- 1/4-turn semi-flush oil tight latches are supplied to hold door securely closed
- Print pocket is provided
- Doors are sealed with poured-in-place polyurethane gasket**
- Mounting holes in rear of enclosure

Finish

- All exterior surfaces have a smooth grained finish


Industry Standards

UL 508, Types 4, 4X, 12 & 13
CSA Certified, Types 4, 4X, 12 & 13
NEMA/EEMAC Type 4, 4X, 12 & 13

Wall mounting brackets required to maintain UL/CSA external mounting requirements.



 UL File E64791

 CSA File LL66078

N412-SSC ULTIMATE SERIES SINGLE DOOR STAINLESS ENCLOSURES

Catalog Number		Body/Door Steel Gauge	Height (Inches)(Cm.)	Width (Inches)(Cm.)	Depth (Inches)(Cm.)	Back Panel Catalog Number*			Back Panel Size A&B (Inches)(Cm.)	C (Inches)(Cm.)	E
304 SS	316L SS					White	304 SS	G			
N412121206SSC	N412121206SSAC	14/14	12.0 (30.5)	12.0 (30.5)	6.0 (15.2)	NP1212C	—	NP1212CG	10.2x10.2 (25.9x25.9)	6.0 (15.2)	—
N412161206SSC	N412161206SSAC	14/14	16.0 (40.6)	12.0 (30.5)	6.0 (15.2)	NP1612C	NP1612SSC	NP1612CG	14.2x10.2 (36.1x25.9)	8.0 (20.3)	—
N412161606SSC	N412161606SSAC	14/14	16.0 (40.6)	16.0 (40.6)	6.0 (15.2)	NP1616C	NP1616SSC	NP1616CG	14.2x14.2 (36.1x36.1)	8.0 (20.3)	—
N412201606SSC	N412201606SSAC	14/14	20.0 (50.8)	16.0 (40.6)	6.0 (15.2)	NP2016C	NP2016SSC	NP2016CG	18.2x14.2 (46.2x36.1)	10.0 (25.4)	—
N412202006SSC	N412202006SSAC	14/14	20.0 (50.8)	20.0 (50.8)	6.0 (15.2)	NP2020C	NP2020SSC	NP2020CG	18.2x18.2 (46.2x46.2)	10.0 (25.4)	—
N412161208SSC	N412161208SSAC	14/14	16.0 (40.6)	12.0 (30.5)	8.0 (20.3)	NP1612C	NP1612SSC	NP1612CG	14.2x10.2 (36.1x25.9)	8.0 (20.3)	—
N412161608SSC	N412161608SSAC	14/14	16.0 (40.6)	16.0 (40.6)	8.0 (20.3)	NP1616C	NP1616SSC	NP1616CG	14.2x14.2 (36.1x36.1)	8.0 (20.3)	—
N412162008SSC	N412162008SSAC	14/14	16.0 (40.6)	20.0 (50.8)	8.0 (20.3)	NP2016C	NP2016SSC	NP2016CG	14.2x18.2 (36.1x46.2)	8.0 (20.3)	—
N412201608SSC	N412201608SSAC	14/14	20.0 (50.8)	16.0 (40.6)	8.0 (20.3)	NP2016C	NP2016SSC	NP2016CG	18.2x14.2 (46.2x36.1)	10.0 (25.4)	—
N412202008SSC	N412202008SSAC	14/14	20.0 (50.8)	20.0 (50.8)	8.0 (20.3)	NP2020C	NP2020SSC	NP2020CG	18.2x18.2 (46.2x46.2)	10.0 (25.4)	—
N412241608SSC	N412241608SSAC	14/14	24.0 (61.0)	16.0 (40.6)	8.0 (20.3)	NP2416C	NP2416SSC	NP2416CG	22.2x14.2 (56.4x36.1)	10.0 (25.4)	—

N412-SSC ULTIMATE SERIES SINGLE DOOR STAINLESS ENCLOSURES (CONT.)

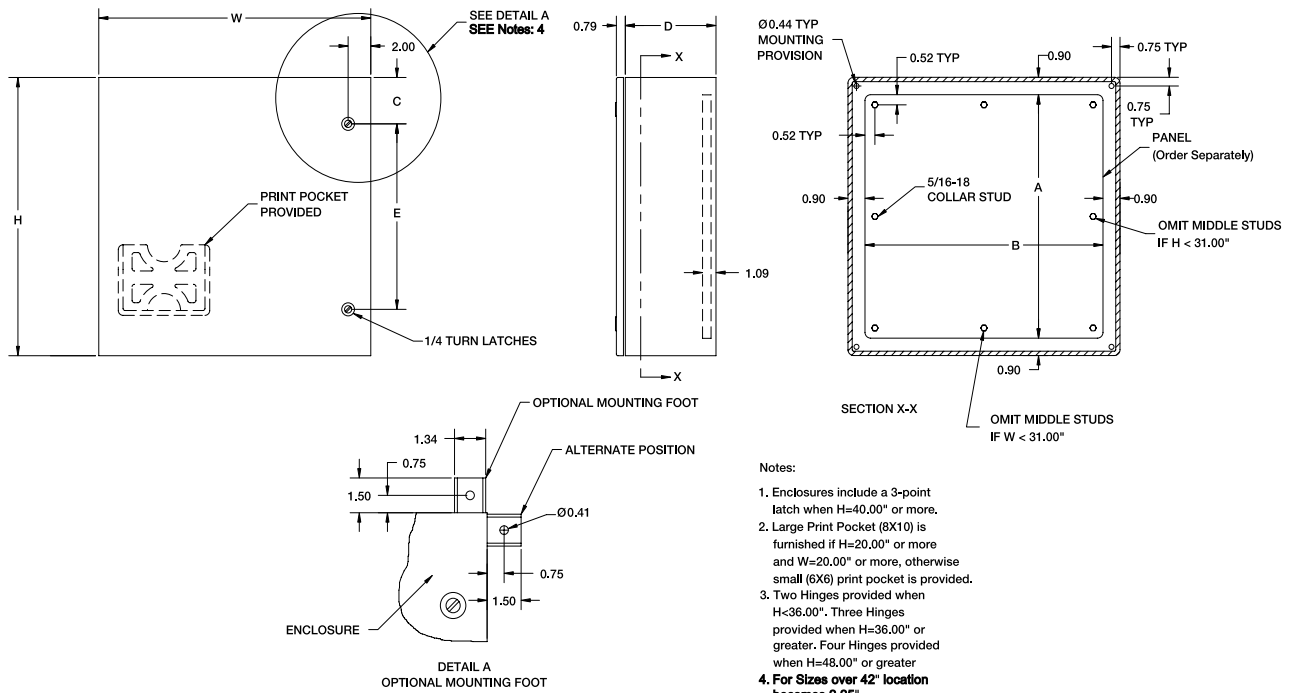
Catalog Number		Body/Door Steel Gauge	Height (Inches)(Cm.)	Width (Inches)(Cm.)	Depth (Inches)(Cm.)	Back Panel Catalog Number*			Back Panel Size A&B (Inches)(Cm.)	C (Inches) (Cm.)	E
304 SS	316L SS					White	304 SS	G			
N412242008SSC	N412242008SSAC	14/14	24.0 (61.0)	20.0 (50.8)	8.0 (20.3)	NP2420C	NP2420SSC	NP2420CG	22.2x18.2 (56.4x46.2)	12.0 (30.5)	—
N412242408SSC	N412242408SSAC	14/14	24.0 (61.0)	24.0 (61.0)	8.0 (20.3)	NP2424C	NP2424SSC	NP2424CG	22.2x22.2 (56.4x56.4)	4.0 (10.2)	16.0 (40.6)
N412302408SSC	N412302408SSAC	14/14	30.0 (76.2)	24.0 (61.0)	8.0 (20.3)	NP3024C	NP3024SSC	NP3024CG	28.2x22.2 (71.6x56.4)	4.0 (10.2)	22.0 (55.9)
N412303008SSC	N412303008SSAC	14/14	30.0 (76.2)	30.0 (76.2)	8.0 (20.3)	NP3030C	NP3030SSC	NP3030CG	28.2x28.2 (71.6x71.6)	4.0 (10.2)	22.0 (55.9)
N412362408SSC	N412362408SSAC	14/14	36.0 (91.4)	24.0 (61.0)	8.0 (20.3)	NP3624C	NP3624SSC	NP3624CG	34.2x22.2 (86.9x56.4)	4.0 (10.2)	28.0 (71.1)
N412363008SSC	N412363008SSAC	14/14	36.0 (91.4)	30.0 (76.2)	8.0 (20.3)	NP3630C	NP3630SSC	NP3630CG	34.2x28.2 (86.9x71.6)	4.0 (10.2)	28.0 (71.1)
N412161210SSC	N412161210SSAC	14/14	16.0 (40.6)	12.0 (30.5)	10.0 (25.4)	NP1612C	NP1612SSC	NP1612CG	14.2x10.2 (36.1x25.9)	8.0 (20.3)	—
N412161610SSC	N412161610SSAC	14/14	16.0 (40.6)	16.0 (40.6)	10.0 (25.4)	NP1616C	NP1616SSC	NP1616CG	14.2x14.2 (36.1x36.1)	8.00 (20.3)	—
N412162010SSC	N412162010SSAC	14/14	16.0 (40.6)	20.0 (50.8)	10.0 (25.4)	NP1620C	NP1620SSC	NP1620CG	14.2x18.2 (36.1x46.7)	8.0 (20.3)	—
N412201610SSC	N412201610SSAC	14/14	20.0 (50.8)	16.0 (40.6)	10.0 (25.4)	NP2016C	NP2016SSC	NP2016CG	18.2x14.2 (46.7x36.1)	10.0 (25.4)	—
N412202010SSC	N412202010SSAC	14/14	20.0 (50.8)	20.0 (50.8)	10.0 (25.4)	NP2020C	NP2020SSC	NP2020CG	18.2x18.2 (46.7x46.7)	10.0 (25.4)	—
N412241610SSC	N412241610SSAC	14/14	24.0 (61.0)	16.0 (40.6)	10.0 (25.4)	NP2416C	NP2416SSC	NP2416CG	22.2x14.2 (56.4x36.1)	10.0 (25.4)	—
N412242010SSC	N412242010SSAC	14/14	24.0 (61.0)	20.0 (50.8)	10.0 (25.4)	NP2020C	NP2020SSC	NP2020CG	18.2x18.2 (46.7x46.7)	10.0 (25.4)	—
N412242410SSC	N412242410SSAC	14/14	24.0 (61.0)	24.0 (61.0)	10.0 (25.4)	NP2424C	NP2424SSC	NP2424CG	22.2x22.2 (56.9x56.9)	4.0 (10.2)	16.0 (40.6)
N412302410SSC	N412302410SSAC	14/14	30.0 (76.2)	24.0 (61.0)	10.0 (25.4)	NP3024C	NP3024SSC	NP3024CG	28.2x22.2 (71.6x56.4)	4.0 (10.2)	22.0 (55.9)
N412303010SSC	N412303010SSAC	14/14	30.0 (76.2)	30.0 (76.2)	10.0 (25.4)	NP3030C	NP3030SSC	NP3030CG	28.2x28.2 (71.6x71.6)	4.0 (10.2)	22.0 (55.9)
N412362410SSC	N412362410SSAC	14/14	36.0 (91.4)	24.0 (61.0)	10.0 (25.4)	NP3624C	NP3624SSC	NP3624CG	34.2x22.2 (86.9x56.4)	4.0 (10.2)	28.0 (71.1)
N412363010SSC	N412363010SSAC	14/14	36.0 (91.4)	30.0 (76.2)	10.0 (25.4)	NP3630C	NP3630SSC	NP3630CG	34.2x28.2 (86.9x71.6)	4.0 (10.2)	28.0 (71.1)
N412363610SSC	N412363610SSAC	14/14	36.0 (91.4)	36.0 (91.4)	10.0 (25.4)	NP3636C	NP3636SSC	NP3636CG	34.2x34.2 (86.9x86.9)	4.0 (10.2)	28.0 (71.1)
N412423610SSC	N412423610SSAC	14/14	42.0 (106.7)	36.0 (91.4)	10.0 (25.4)	NP4236C	NP4236SSC	NP4236CG	40.2x34.2 (102.1x86.9)	21.0 (53.3)	—
N412483610SSC	N412483610SSAC	14/14	48.0 (121.9)	36.0 (91.4)	10.0 (25.4)	NP4836C	NP4836SSC	NP4836CG	46.2x34.2 (117.3x86.9)	24.0 (61.0)	—
N412603610SSC	N412603610SSAC	14/14	60.0 (152.4)	36.0 (91.4)	10.0 (25.4)	NP6036C	NP6036SSC	NP6036CG	58.2x34.2 (147.8x86.9)	30.0 (76.2)	—
N412202012SSC	N412202012SSAC	14/14	20.0 (50.8)	20.0 (50.8)	12.0 (30.5)	NP2020C	NP2020SSC	NP2020CG	18.2x18.2 (46.2x46.2)	10.0 (25.4)	—
N412242412SSC	N412242412SSAC	14/14	24.0 (61.0)	24.0 (61.0)	12.0 (30.5)	NP2424C	NP2424SSC	NP2424CG	22.2x22.2 (56.4x56.4)	4.0 (10.2)	16.0 (40.6)
N412302412SSC	N412302412SSAC	14/14	30.0 (76.2)	24.0 (61.0)	12.0 (30.5)	NP3024C	NP3024SSC	NP3024CG	28.2x22.2 (71.6x56.4)	4.0 (10.2)	22.0 (55.9)
N412362412SSC	N412362412SSAC	14/14	36.0 (91.4)	24.0 (61.0)	12.0 (30.5)	NP3624C	NP3624SSC	NP3624CG	34.2x22.2 (86.9x56.4)	4.0 (10.2)	28.0 (71.1)
N412363012SSC	N412363012SSAC	14/14	36.0 (91.4)	30.0 (76.2)	12.0 (30.5)	NP3630C	NP3630SSC	NP3630CG	34.2x28.2 (86.9x71.6)	4.0 (10.2)	28.0 (71.1)

N412-SSC ULTIMATE SERIES SINGLE DOOR STAINLESS ENCLOSURES (CONT.)

Catalog Number		Body/Door Steel Gauge	Height (Inches)(Cm.)	Width (Inches)(Cm.)	Depth (Inches)(Cm.)	Back Panel Catalog Number*			Back Panel Size A&B (Inches)(Cm.)	C (Inches) (Cm.)	E
304 SS	316L SS					White	304 SS	G			
N412363612SSC	N412363612SSAC	14/14	36.0 (91.4)	36.0 (91.4)	12.0 (30.5)	NP3636C	NP3636SSC	NP3636CG	34.2x34.2 (86.9x86.9)	4.0 (10.2)	28.0 (71.1)
N412423612SSC	N412423612SSAC	14/14	42.0 (106.7)	36.0 (91.4)	12.0 (30.5)	NP4236C	NP4236SSC	NP4236CG	40.2x34.2 (102.1x86.9)	21.0 (53.3)	—
N412483612SSC **	N412483612SSAC	14/14	48.0 (121.9)	36.0 (91.4)	12.0 (30.5)	NP4836C	NP4836SSC	NP4836CG	46.2x34.2 (117.3x86.9)	24.0 (61.0)	—
N412603612SSC **	N412603612SSAC **	14/14	60.0 (152.4)	36.0 (91.4)	12.0 (30.5)	NP6036C	NP6036SSC	NP6036CG	58.2x34.2 (147.8x86.9)	30.0 (76.2)	—

** Enclosures are supplied with closed cell neoprene gasket (not foam-in-place).

* Back panels must be ordered separately.



N412 - WSSC ULTIMATE SERIES ENCLOSURES NEMA 4X SINGLE DOOR WALL-MOUNT WITH WINDOW

Applications

N412WSSC ULTIMATE Stainless Steel Series Enclosures are designed to house and protect electrical and electronic components from harsh, dirty environments. For use in installations where dirt, dust, oil, water, or other contaminants are present. It is typically used in the following areas where corrosion-resistant protection is needed: food processing plants, pharmaceutical manufacturing facilities, petrochemical plants, pulp and paper processing, and waste water treatment facilities. Streamlined styling, flush latching, and attractive Stainless Steel finish complement any high tech electronic equipment.

Construction

- Bodies and doors fabricated from 14 gauge 304 Stainless Steel
- Continuously Plasma welded seams
- Increased tub opening for better access
- Concealed hinges
- Plexiglass viewing window
- Doors are interchangeable and easily removable
- Grounding provisions provided (tub only)
- 1/4-turn semi-flush oil tight latches are supplied to hold door securely closed
- Print pocket is provided
- Doors are sealed with poured-in-place polyurethane gasket**
- Mounting holes in rear of enclosure





Finish

- All exterior surfaces have a smooth grained finish

Industry Standards

UL 508, Types 4, 4X, 12 & 13
 CSA Certified, Types 4, 4X, 12 & 13
 NEMA/EEMAC Type 4, 4X, 12 & 13
 Wall mounting brackets required to maintain UL/CSA external mounting requirements.

 UL File E64791

 CSA File LL66078

N412WSSC ULTIMATE SERIES SINGLE DOOR WITH WINDOW STAINLESS ENCLOSURES

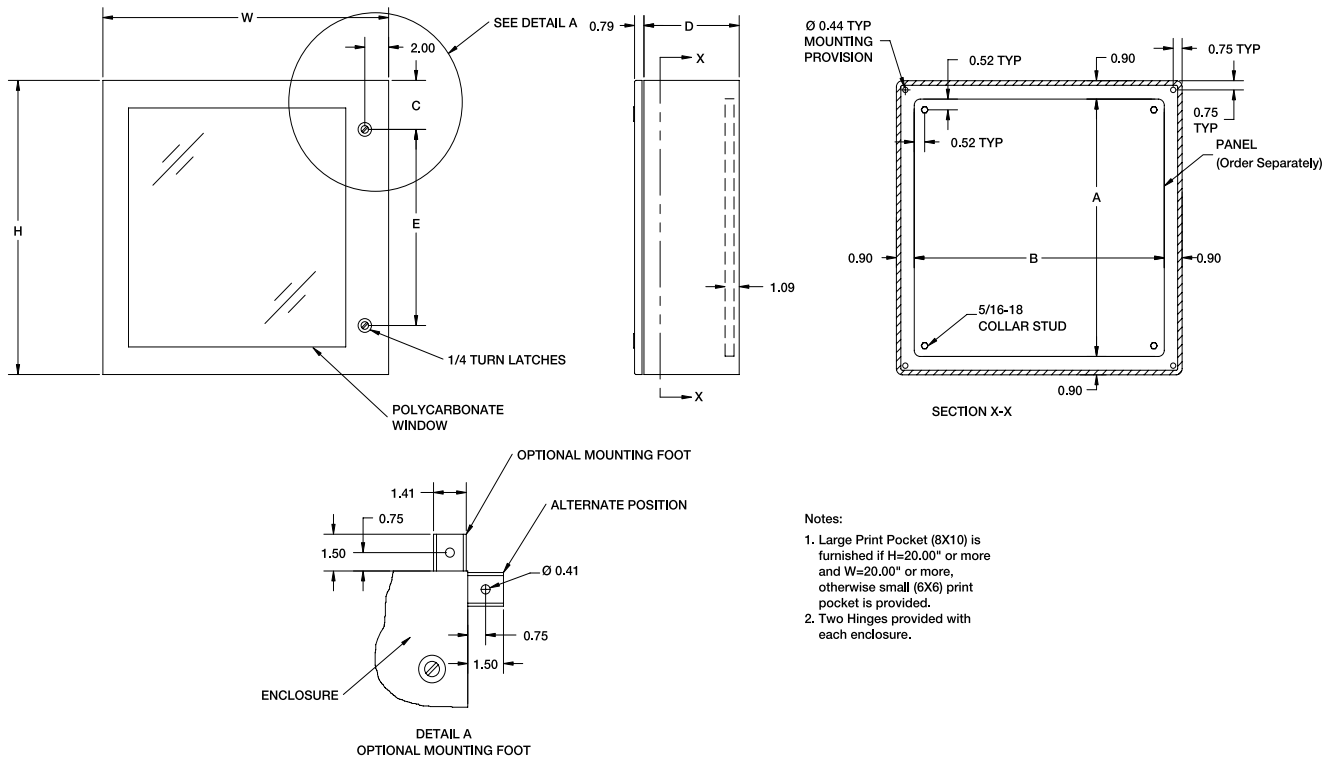
Catalog Number	Body/Door Steel Gauge	Height (Inches)(Cm.)	Width (Inches)(Cm.)	Depth (Inches)(Cm.)	Viewable Window Area (Inches)(Cm.)	Back Panel Catalog White	Back Panel Catalog G	Back Panel Size A&B (Inches)(Cm.)	C (Inches)(Cm.)	E (Inches)(Cm.)
N412121206WSSC	14/14	12.00 (30.5)	12.00 (30.5)	6.00 (15.2)	7.50 x 6.25 (191 x 159)	NP1212C	NP1212CG	10.2x10.2 (25.9x25.9)	6.00 (15.2)	—
N412161206WSSC	14/14	16.00 (40.6)	12.00 (30.5)	6.00 (15.2)	1.50 x 6.25 (292 x 159)	NP1612C	NP1612CG	14.2x10.2 (36.1x25.9)	8.00 (20.3)	—
N412201606WSSC	14/14	20.00 (50.8)	16.00 (40.6)	6.00 (15.2)	15.50 x 10.25 (394 x 260)	NP2016C	NP2016CG	18.2x14.2 (46.2x36.1)	10.00 (25.4)	—
N412202006WSSC	14/14	20.00 (50.8)	20.00 (50.8)	6.00 (15.2)	15.50 x 14.25 (394 x 362)	NP2020C	NP2020CG	18.2x18.2 (46.2x46.2)	10.00 (25.4)	—
N412242006WSSC	14/14	24.0 (61.0)	20.00 (50.8)	6.00 (15.2)	19.50 x 14.25 (495 x 362)	NP2420C	NP2420CG	22.2x18.2 (56.4x46.2)	12.00 (30.5)	—
N412242406WSSC	14/14	24.0 (61.0)	24.0 (61.0)	6.00 (15.2)	19.50 x 18.25 (495 x 464)	NP2424C	NP2424CG	22.2x22.2 (56.4x56.4)	4.00 (10.2)	16.00 (40.6)

N412WSSC ULTIMATE SERIES SINGLE DOOR WITH WINDOW STAINLESS ENCLOSURES (CONT.)

Catalog Number	Body/Door Steel Gauge	Height (Inches)(Cm.)	Width (Inches)(Cm.)	Depth (Inches)(Cm.)	Viewable Window Area (Inches)(Cm.)	Back Panel White	Back Panel Catalog G	Back Panel Size A&B (Inches)(Cm.)	C (Inches)(Cm.)	E (Inches)(Cm.)
N412302406WSSC	14/14	30.0 (76.2)	24.0 (61.0)	6.00 (15.2)	25.50 x 18.25 (64.8 x 46.4)	NP3024C	NP3024CG	28.2x22.2 (71.6x56.4)	4.00 (10.2)	22.00 (55.9)
N412121208WSSC	14/14	12.00 (30.5)	12.00 (30.5)	8.0 (20.3)	7.50 x 6.25 (19.1 x 15.9)	NP1212C	NP1212CG	10.2x10.2 (25.9x25.9)	6.00 (15.2)	—
N412161208WSSC	14/14	16.00 (40.6)	12.00 (30.5)	8.0 (20.3)	11.50 x 6.25 (29.2 x 15.9)	NP1612C	NP1612CG	14.2x10.2 (36.1x25.9)	8.00 (20.3)	—
N412201608WSSC	14/14	20.0 (50.8)	16.00 (40.6)	8.0 (20.3)	15.50 x 10.25 (39.4 x 26.0)	NP2016C	NP2016CG	18.2x14.2 (46.2x36.1)	10.00 (25.4)	—
N412202008WSSC	14/14	20.0 (50.8)	20.0 (50.8)	8.0 (20.3)	15.50 x 14.25 (39.4 x 36.2)	NP2020C	NP2020CG	18.2x18.2 (46.2x46.2)	10.00 (25.4)	—
N412242008WSSC	14/14	24.0 (61.0)	20.0 (50.8)	8.0 (20.3)	19.50 x 14.25 (49.5 x 36.2)	NP2420C	NP2420CG	22.2x18.2 (56.4x46.2)	12.00 (30.5)	—
N412242408WSSC	14/14	24.0 (61.0)	24.0 (61.0)	8.0 (20.3)	19.50 x 18.25 (49.5 x 46.4)	NP2424C	NP2424CG	22.2x22.2 (56.4x56.4)	4.00 (10.2)	16.00 (40.6)
N412302408WSSC	14/14	30.0 (76.2)	24.0 (61.0)	8.0 (20.3)	25.50 x 18.25 (64.8 x 46.4)	NP3024C	NP3024CG	28.2x22.2 (71.6x56.4)	4.00 (10.2)	22.00 (55.9)
N412161210WSSC	14/14	16.0 (40.6)	12.00 (30.5)	10.0 (25.4)	11.50 x 6.25 (29.2 x 15.9)	NP1612C	NP1612CG	14.2x10.2 (36.1x25.9)	8.00 (20.3)	—
N412201610WSSC	14/14	20.0 (50.8)	16.0 (40.6)	10.0 (25.4)	15.50 x 10.25 (39.4 x 26.0)	NP2016C	NP2016CG	18.2x14.2 (46.2x36.1)	10.00 (25.4)	—
N412202010WSSC	14/14	20.0 (50.8)	20.0 (50.8)	10.0 (25.4)	15.50 x 14.25 (39.4 x 36.2)	NP2020C	NP2020CG	18.2x18.2 (46.2x46.2)	10.00 (25.4)	—
N412242010WSSC	14/14	24.0 (61.0)	20.0 (50.8)	10.0 (25.4)	19.50 x 14.25 (49.5 x 36.2)	NP2420C	NP2420CG	22.2x18.2 (56.4x46.2)	12.00 (30.5)	—
N412242410WSSC	14/14	24.0 (61.0)	24.0 (61.0)	10.0 (25.4)	19.50 x 18.25 (49.5 x 46.4)	NP2424C	NP2424CG	22.2x22.2 (56.4x56.4)	4.00 (10.2)	16.00 (40.6)
N412302410WSSC	14/14	30.0 (76.2)	24.0 (61.0)	10.0 (25.4)	25.50 x 18.25 (64.8 x 46.4)	NP3024C	NP3024CG	28.2x22.2 (71.6x56.4)	4.00 (10.2)	22.00 (55.9)
N412202012WSSC	14/14	20.0 (50.8)	20.0 (50.8)	12.00 (30.5)	15.50 x 14.25 (39.4 x 36.2)	NP2020C	NP2020CG	18.2x18.2 (46.2x46.2)	10.00 (25.4)	—
N412242012WSSC	14/14	24.0 (61.0)	20.0 (50.8)	12.00 (30.5)	19.50 x 14.25 (49.5 x 36.2)	NP2420C	NP2420CG	22.2x18.2 (56.4x46.2)	12.00 (30.5)	—
N412242412WSSC	14/14	24.0 (61.0)	24.0 (61.0)	2.00 (30.5)	19.50 x 18.25 (49.5 x 46.4)	NP2424C	NP2424CG	22.2x22.2 (56.4x56.4)	4.00 (10.2)	16.00 (40.6)
N412302412WSSC	14/14	30.0 (76.2)	24.0 (61.0)	12.00 (30.5)	25.50 x 18.25 (64.8 x 46.4)	NP3024C	NP3024CG	28.2x22.2 (71.6x56.4)	4.00 (10.2)	22.00 (55.9)
N412242416WSSC**	14/14	24.0 (61.0)	24.0 (61.0)	12.00 (30.5)	19.50 x 18.25 (49.5 x 46.4)	NP2424C	NP2424CG	22.2x22.2 (56.4x56.4)	4.00 (10.2)	16.00 (40.6)
N412242420WSSC**	14/14	24.0 (61.0)	24.0 (61.0)	12.00 (30.5)	19.50 x 18.25 (49.5 x 46.4)	NP2424C	NP2424CG	22.2x22.2 (56.4x56.4)	4.00 (10.2)	16.00 (40.6)
N412302420WSSC**	14/14	30.0 (76.2)	24.0 (61.0)	20.0 (50.8)	25.50 x 18.25 (64.8 x 46.4)	NP3024C	NP3024CG	28.2x22.2 (71.6x56.4)	4.00 (10.2)	22.00 (55.9)

*Back panels must be ordered separately.

**Enclosures are supplied with closed cell neoprene gasket (not foam-in-place).



N412 - CSSST ULTIMATE SERIES SLOPE-TOP ENCLOSURES NEMA 12, 13, 4 & 4X STAINLESS SINGLE DOOR

Applications

N412CSSST ULTIMATE Series Enclosures are designed to house and protect electrical and electronic components from harsh, dirty environments. For use in installations where dirt, dust, oil, water, or other contaminants are present. Streamlined styling, flush latching, and attractive durable finish complement any high tech electronic equipment.

Construction

- Bodies and doors fabricated from 14 gauge 304 stainless steel.
- Continuously Plasma welded seams
- Increased tub opening for better access
- 20° sloped top
- Sloped "Top tub flange"
- Concealed hinges
- Doors are interchangeable and easily removable
- Grounding provisions provided
- 1/4-turn semi-flush oil tight latches are supplied to hold door securely closed
- Print pocket is provided
- Doors are sealed with poured-in-place polyurethane gasket**
- Mounting holes in rear of enclosure

Finish

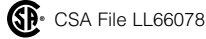
- All exterior surfaces have a smooth grained finish



Industry Standards

UL 508, Types 4, 4X, 12 & 13
 CSA Certified, Types 4, 4X, 12 & 13
 NEMA/EEMAC Type 4, 4X, 12 & 13

Wall mounting brackets required to maintain UL/CSA external mounting requirements.

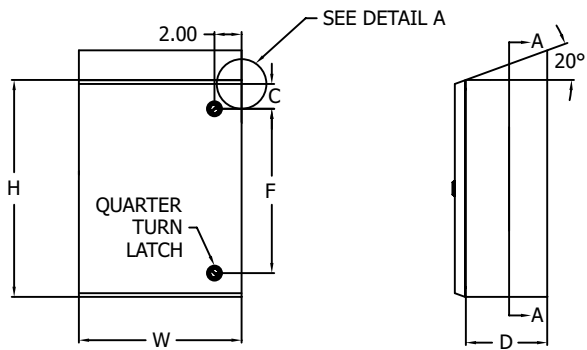


N412 — CSSST ULTIMATE SERIES ENCLOSURES NEMA 4X STAINLESS SLOPE TOP SINGLE DOOR

Catalog Number	Height (Inches)(Cm.)	Width (Inches)(Cm.)	Depth (Inches)(Cm.)	Back Panel Catalog Number*			Back Panel Size A&B (Inches)(Cm.)
				White	304 SS	G	
N412161208CSSST	16.0 (40.6)	12.00 (50.8)	8.0 (20.3)	NP1612	NP1612SSC	NP1612G	14.2x10.2 (36.1x25.9)
N412161608CSSST	16.0 (40.6)	12.00 (50.8)	8.0 (20.3)	NP1616	NP1616SSC	NP1616G	14.2x14.2 (36.1x36.1)
N412201608CSSST	20.0 (50.8)	16.0 (40.6)	8.0 (20.3)	NP2016	NP2016SSC	NP2016G	18.2x14.2 (46.2x36.1)
N412201612CSSST	20.0 (50.8)	16.0 (40.6)	12.0 (30.5)	NP2016	NP2016SSC	NP2016G	18.2x14.2 (46.2x36.1)
N412202008CSSST	20.0 (50.8)	20.0 (50.8)	8.0 (20.3)	NP2020	NP2020SSC	NP2020G	18.2x18.2 (46.2x46.2)
N412202012CSSST	20.0 (50.8)	20.0 (50.8)	12.00 (50.8)	NP2020	NP2020SSC	NP2020G	18.2x18.2 (46.2x46.2)
N412242008CSSST	24.0 (61.0)	20.0 (50.8)	8.0 (20.3)	NP2420	NP2420SSC	NP2420G	22.2x18.2 (56.4x46.2)
N412242408CSSST	24.0 (61.0)	24.0 (61.0)	8.0 (20.3)	NP2424	NP2424SSC	NP2424G	22.2x22.2 (56.4x56.4)
N412242412CSSST	24.0 (61.0)	24.0 (61.0)	12.0 (30.5)	NP2424	NP2424SSC	NP2424G	22.2x22.2 (56.4x56.4)
N412302408CSSST	30.0 (76.2)	24.0 (61.0)	8.0 (20.3)	NP3024	NP3024SSC	NP3024G	28.2x22.2 (71.6x56.4)
N412302412CSSST	30.0 (76.2)	24.0 (61.0)	12.0 (30.5)	NP3024	NP3024SSC	NP3024G	28.2x22.2 (71.6x56.4)
N412303008CSSST	30.0 (76.2)	30.0 (76.2)	8.0 (20.3)	NP3030	NP3030SSC	NP3030G	28.2x28.2 (71.6x71.6)
N412363008CSSST	36.0 (91.4)	30.0 (76.2)	8.0 (20.3)	NP3630	NP3630SSC	NP3630G	34.2x28.2 (86.9x71.6)
N412363012CSSST	36.0 (91.4)	30.0 (76.2)	12.00 (50.8)	NP3630	NP3630SSC	NP3630G	34.2x28.2 (86.9x71.6)
N412363016CSSST	36.0 (91.4)	30.0 (76.2)	16.0 (40.6)	NP3630	NP3630SSC	NP3630G	34.2x28.2 (86.9x71.6)
N412363612CSSST	36.0 (91.4)	36.0 (91.4)	12.00 (50.8)	NP3636	NP3636SSC	NP3636G	34.2x34.2 (86.9x86.9)
N412483616CSSST**	48.0 (121.9)	36.0 (91.4)	16.0 (40.6)	NP4836	NP4836SSC	NP4836G	46.2x34.2 (117.3x86.9)
N412603616CSSST**	60.0 (152.4)	36.0 (91.4)	16.0 (40.6)	NP6036	NP6036SSC	NP6036G	58.2x34.2 (147.8x86.9)

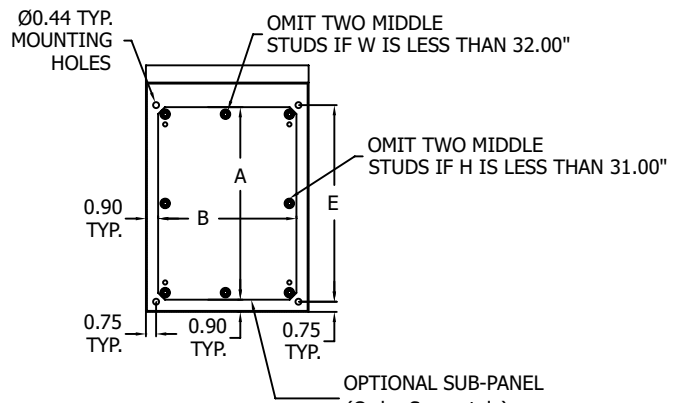
*Back panels must be ordered separately.

**Enclosures are supplied with closed cell neoprene gasket (not foam-in-place).

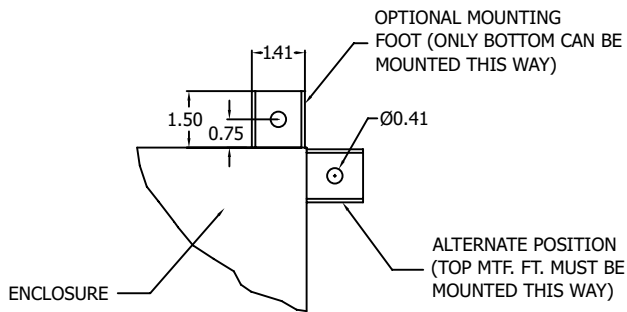


FRONT VIEW

RIGHT VIEW



SECTION A-A



DETAIL A
(OPTIONAL MOUNTING FOOT)

Notes:

1. Large Print Pocket (8 X 10) is furnished if H=20.00" or more and W=20.00" or more. Otherwise, small (6 X 6) print pocket is provided.
2. Two Hinges provided with H<36.00". Three Hinges provided when H=36.00" or greater. Four Hinges provided when H=48.00" or greater.



ENCLOSURE DEFINITIONS AND CLASSIFICATIONS

Industry Definitions

The National Electrical Manufacturers Association (NEMA) is a US Manufacturers Organization which actively promotes standardized product specifications for electrical apparatus.

While NEMA does not actually test products, it establishes the performance criteria for enclosures intended for specific environments.

NEMA standards describe each type of enclosure in general and functional terms, and specifically omits reference to construction details. In other words NEMA specifies what an enclosure must do, not how to manufacture it. This is also true about the EN 60.529/IEC 529.

NEMA performance criteria and test methods are used by Underwriters Laboratories (UL) and Canadian Standards Association (CSA) as guidelines for investigation and listing of electrical enclosures.

The tested enclosures are then authorized to carry a label by UL or CSA to prove it has passed the required tests and meets the applicable UL and CSA standard.

NEMA CLASSIFICATIONS DEFINITIONS – NON-HAZARDOUS LOCATIONS

Type 3

Enclosures are intended for outdoor use primarily to provide a degree of protection against windblown dust, rain, sleet, and external ice formation. NEMA Standard 1-10-1979.

Type 4X

Enclosures are intended for indoor or outdoor use primarily to provide a degree of protection against corrosion, windblown dust and rain, splashing water, and hose-directed water. NEMA Standard 1-10-1979.

ENCLOSURES TYPES NON-HAZARDOUS LOCATIONS

Type Designation	National Electrical Manufacturers Association (Nema Standard 250) and Electrical and Electronic Mfg. Association of Canada (EEMAC)	Underwriters Laboratories Inc. (UL 50 And UL 508)	Canadian Standards Association (Standard C22.2 No. 94)
3R	Enclosures are intended for outdoor use primarily to provide a degree of protection against falling rain and sleet; undamaged by the formation of ice on the enclosure.	Outdoor use to provide a degree of protection against falling rain; undamaged by the formation of ice on the enclosure.	Indoor or outdoor use; provides a degree of protection against rain and snow; undamaged by the external formation of ice on the enclosure.

4X	Enclosures are intended for indoor or outdoor use primarily to provide a degree of protection against corrosion, windblown dust and rain, splashing water, and hose-directed water; undamaged by the formation of ice on the enclosure.	Either indoor or outdoor use to provide a degree of protection against falling rain, splashing water, and hose-directed water; undamaged by the formation of ice on the enclosure; resists corrosion.	Indoor or outdoor use; provides a degree of protection against rain, snow, windblown dust, splashing and hose-directed water; undamaged by the external formation of ice on the enclosure; resists corrosion.
----	---	---	---

This material is reproduced from NEMA. The preceding descriptions, however, are not intended to be complete representations of National Electrical Manufacturers Association standards for enclosures nor those of the Electrical and Electronic Manufacturers Association of Canada.

This material is reproduced from Underwriters Laboratories Inc. Standard for Safety for Cabinets and Boxes, UL 50, Copyright 1997 and Industrial Control Equipment, UL 508, Copyright 1996 by Underwriters Laboratories Inc.

This material is reproduced from the Canadian Standards Association.

Underwriters Laboratories Inc. (UL) shall not be responsible to anyone for the use of or reliance upon a UL Standard by anyone. UL shall not incur any obligation or liability for damages, including consequential damages, arising out of or connection with the use, interpretation of, or reliance upon a UL Standard.

ENCLOSURE ALTERATIONS/RECOMMENDATIONS

1. Prepping Cutout And Punched Holes

- A. All cutouts and punching of holes must be free of burrs and sanded smooth for proper fit of accessories.
- B. All holes / bare metal must be painted to prevent rusting of the steel, ensure the U.L. rating of the enclosure, and to maintain the integrity of the enclosure finish.

2. Mounting Instructions

Wall mounted enclosures have either an internal mounting means or external mounting feet. Proper fasteners must be used in all mounting holes to secure the enclosure to the wall.

3. Door Closing Adjustments

If the surface on which the enclosure is mounted is not flat, the door may not open and close properly. Also, if heavy equipment is mounted on a large door, the door may sag slightly. If the top of the door strikes the lip which extends around the body opening, place metal shims behind the mounting foot which is located at the bottom of the enclosure and closest to the door hinge. Place the shims between the mounting foot and the wall or mounting surface. Be sure all mounting screws are tightened securely.

4. Panel Installation

When the interior panel is being installed, it may be necessary to bend one or more mounting studs slightly to permit the panel to fit in place. Simply position the panel on the studs that line up properly and pry the other studs into position with a suitable screwdriver inserted through the panel holes.

5. Removing Hinge Pins From Continuous Hinges

This can be a difficult operation requiring one or more people. This procedure is best accomplished by using a small diameter punch to drive the hinge pin toward the bottom of the enclosure. Lay the wall-mounted and floor-mounted or free-standing enclosure on its back side. When the hinge pin protrudes about two inches below the bottom hinge barrel, bend the end of the pin 180° so it is shaped like the letter "J". Use an electric or air powered vibrating hammer fitted with a tool which has a hole in the end to fit over the hinge pin, and drive the hinge pin out while opening and closing the door. To install the hinge pin, straighten the pin and drive it in with the vibrating hammer while opening and closing the door. Most hinge pins have one end chamfered, so be sure to start the chamfered end first when installing the pin.

6. Print Pocket

The print pocket on the door can be mounted in any location or position using the self adhesive strip, or removed entirely.

7. Lifting Enclosures By Eyebolts

To lift an enclosure which has eyebolts or mounting feet, be sure to use all the eyebolts and top mounting feet provided. Arrange the chains and cables with spreader bars so you are lifting straight up on the eyebolts or top mounting feet. Eyebolts are used for lifting, shipping, and moving purposes. It is the customers responsibility to ensure that lifting eyes are tightened to maintain proper seal /NEMA/and UL rating (factory installed rubber washers must be used).

