



RACO

TAYMAC

BELL

COMMERCIAL, INDUSTRIAL AND RESIDENTIAL ELECTRICAL PRODUCTS

LED SWIVEL JOINT SPIKELIGHT

SPLLED500Z This portable rugged metal LED spike light is a decorative and energy efficient green alternative to incandescent lighting. The unique swivel joint knuckle allows for easy and precise positioning. Perfect for a variety of uses including landscape accent lighting, architectural lighting, seasonal lighting, portable work lighting and many other outdoor wet location uses.



LED
540 Lumens
Brightness

9 Watts

50,000
Hours Life

Patented
Multi-Directional
Swivel Joint

120V 60Hz



SPLLED500Z

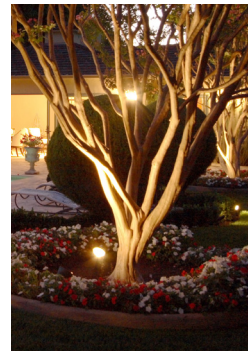
architectural lighting



seasonal



portable work



landscape...

- Patented multi-directional swivel joint
- Commercial Grade
- Die Cast Metal
- Premium Powder Coat
- Long Life: 50,000 hours
- No mercury or toxins
- Even light distribution
- Reduces energy cost*
- 2014 NEC & NEMA 3R Compliant

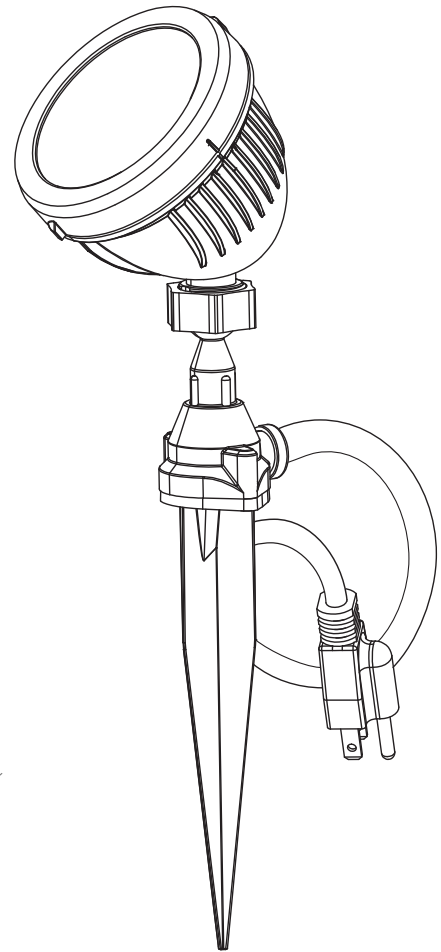
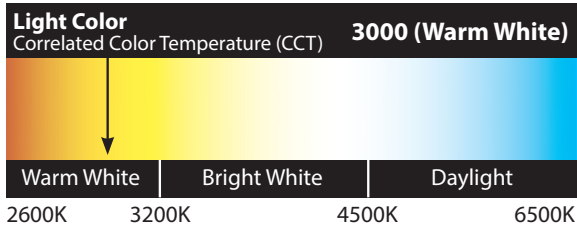


LED SWIVEL JOINT SPIKELIGHT

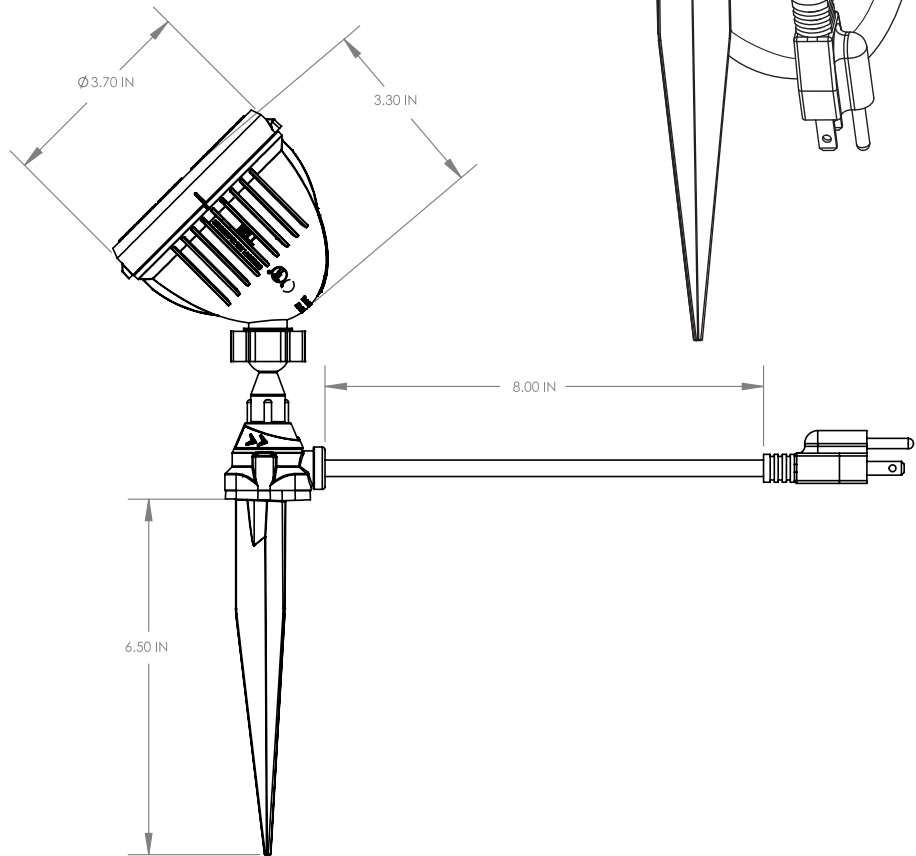
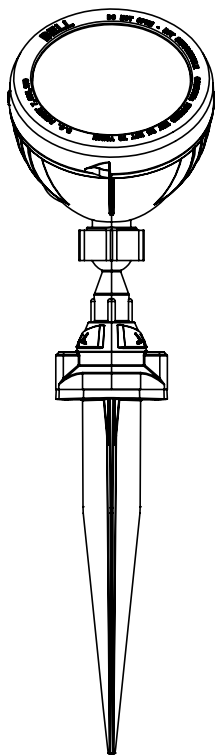
Light Facts

LED Product

Light Output (Lumens)	540
Watts	8.7
Lumens per Watt (Efficacy)	62
Color Accuracy	80
Color Rendering Index (CRI)	



SPLED500Z



CATALOG #	DESCRIPTION	COLOR	PKG. TYPE	STD. PKG.	UPC	1 of 5
SPLED500Z	9W / 540 Lumen Warm White	Bronze	Box	4	050169917589	50050169917584