

Wirecon[®]

Electrical Products

for the Manufactured
Structures and Recreational
Vehicle Industries



Installation Efficiency

High-tech precision installation saves time and reduces error with fewer steps than traditional methods!



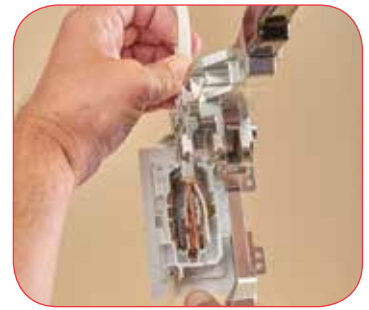
1 Prepare wire and place device into the tool cradle.



2 Properly align conductors and position into terminals.



3 Squeeze handles together to terminate cable.



4 Position second cable into the terminals.



5 Squeeze handles to terminate second cable.



6 Snap-on the cover into the device.



7 Push device into the wall and tighten pawls.



8 Attach wallplate for clean, traditional appearance.

Self-Contained Electrical Products

Wirecon's extensive offering of high quality self-contained devices (SCD) provides a cost-effective means to provide electrical power and switching. Wirecon SCDs look identical to standard switches and receptacles. With the new WT900M installation tool, installing Wirecon devices is easier.

Products for Manufactured Structures

Designed to be installed correctly and quickly, Wirecon SCDs:

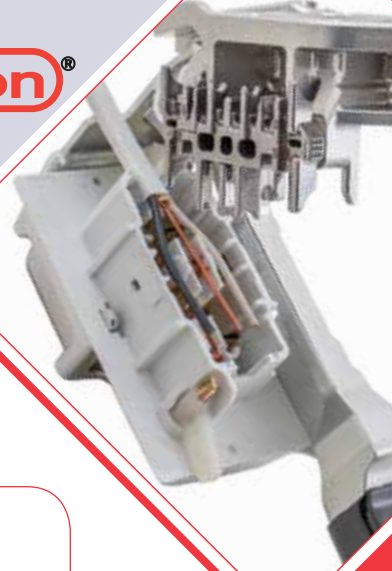
- Utilize insulation displacement contacts
- No outlet box required for installation
- Completely insulated
- Vibration resistant
- Wide flange minimizes air infiltration
- UL 498 Listed and CSA 22.2 Certified

Wirecon's SCDs secure to the wall surface with two pawls that swing out from the back of the device and can be tightened against the back of the wall. The tool's "receptacle and switch combination pusher" pushes the wires into the terminals for proper termination. The back cover can be snapped on by hand to complete the termination.

Finish off the SCD installation with one of Wirecon's wallplates. Snap-on (screwless) or standard screw-on wallplates are available for an appearance that is identical to conventional receptacles and switches.

Installation Tool and Accessories

Wirecon®



WT900M Installation Tool

Wirecon's installation tool allows the installer to quickly and accurately install multiple conductors. The WT900M's design offers a shorter profile to fit into tight spaces and weighs less making it easier to use repetitively.



WT900M

- Ergonomic compact design
- Light weight, aircraft grade aluminum construction
- Interior handle can be used as a clamp
- Single combination pusher rotates for switch and receptacle terminations

Pusher

- Made of hardened tool steel for extended life
- Clearly marked: **S** for switch and **R** for receptacle
- Snaps easily into installation tool and secured by a ball nose spring plunger



WT926



Tools and Accessories

Description	Catalog Number
Installation tool, complete with wire installation pushers	WT900M
Refurbishment kit with pivot shoulder screw and hardware	WT927
Replacement Wire Pusher – Receptacle/Switch combination	WT926



WT927

Wirecon's SCD receptacles enable outlets to be conveniently and permanently installed for power distribution.

- Impact-resistant thermoplastic
- Vibration resistant IDC terminations
- Quick, one-way assembly
- Accepts up to 3 #14 or #12 NM cables
- Wide flange design minimizes air infiltration
- Available in Tamper-Resistant



Duplex Receptacles

Rating	Color	Conventional Series		Decorator Series		Junction Splice	
		Standard	Tamper-Resistant	Standard	Tamper-Resistant	Standard	Flush Mount
15A 125V	Black	—	—	WDRDU15BKSPFW*	—	—	—
	Brown	WDRU15BR	WR15	WDRDU15BR	WRD15	—	—
	Ivory	WDRU15IV	WR15I	WDRDU15IV	WRD15I	—	—
	Light Almond	—	—	WDRDU15LA	WRD15LA	—	—
	White	WDRU15WT	WR15W	WDRDU15WT	WRD15W	—	—
20A 125V	Brown	WDRDU20BR	WRD20	WDRDU20BR	WRD20	—	—
	Ivory	WDRDU20IV	WRD20I	WDRDU20IV	WRD20I	—	—
	White	WDRDU20WT	WRD20W	WDRDU20WT	WRD20W	WDJ20WT	WDJ20WTF

Note: *Short pawl devices are engineered to mount on paneling.



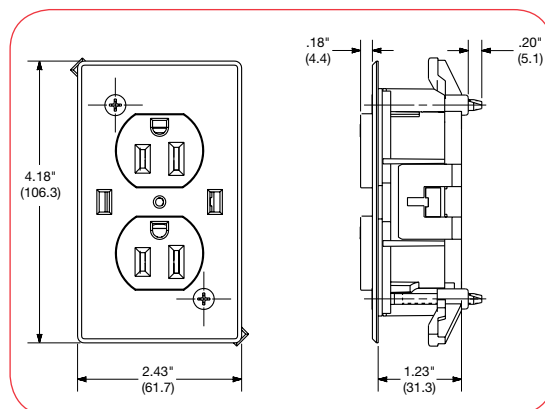
Single Receptacles

Rating	Color	Surface Mount	Standard	Tamper-Resistant
15A 125V	Black	—	WDRDU15BKS	—
	Brown	WDR15BRGSS	WDRDU15BRS	WRD15I
	Ivory	—	WDRDU15IVS	WRD15II
	Light Almond	—	WDRDU15LAS	WRD15ILA
	White	WDR15WTGSS	WDRDU15WTS	WRD15IW
20A 125V	Black	—	WDRDU20BKS	—
	Brown	—	WDRDU20BRS	—
	Ivory	—	WDRDU20IVS	—
	White	—	WDRDU20WTS	—



Tamper-Resistant Receptacles

Per National Electrical Code (NEC®) Article 406.12, all 125 volt, 15 and 20 amp receptacles in dwelling units, lodging guest rooms and suites, and child care facilities shall be a listed tamper resistant type. Dwelling units are defined as a single unit, providing complete and independent living facilities for one or more persons, including permanent provisions for living, sleeping, cooking and sanitation. Listed devices are required to have a TR marking visible when installed without a cover plate.



Switches



Wirecon's switches provide basic ON/OFF control of lighting and power while gangable designs permit multi-gangable for use with standard plates.

- Impact-resistant thermoplastic
- Vibration resistant IDC terminations
- Quick, one-way assembly
- Self-cleaning switch contacts
- Accepts up to 3 #14 or #12 NM cables
- Wide flange design minimizes air infiltration



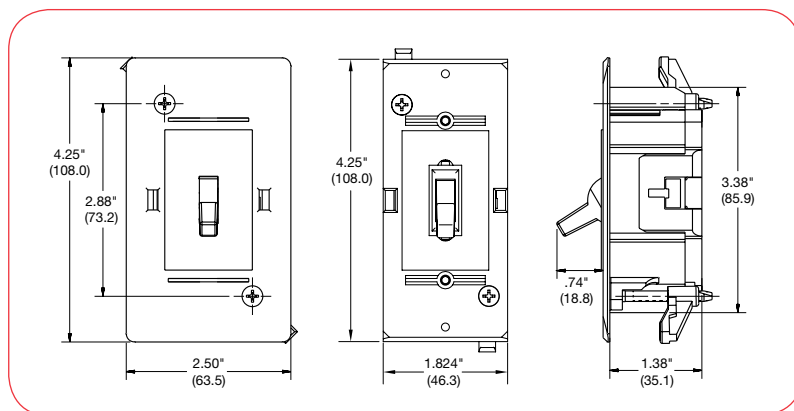
Toggle Switches

Rating	Color	Single Pole		Three-Way
		Single Gang	Gangable	Gangable
15A 125V	White	WDSU151WT	WDSU151WTG	WDSU153WTG



Decorator Switches

Rating	Color	Single Pole		Three-Way
		Single Gang	Gangable	Gangable
15A 125V	Light Almond White	— WDSDU151WT	WDSDU151LAG WDSDU151WTG	— WDSDU153WTG



Add the finishing touch to Wirecon's installations.



Wallplates

- Virtually unbreakable thermoplastic
- Smooth surface for easy cleaning

Device	Color	Conventional		Decorator		Conventional	
		Snap-On	Screw-On	Snap-On	Screw-On	Snap-On	Screw-On
Receptacles	Black	—	—	WPDUBK	NP26BK	—	—
	Brown	WPRUBR	NP8	WPDUBR	NP26	—	—
	Ivory	WPRUIV	NP8I	WPDUIV	NP26I	—	—
	Light Almond	WPRULA	NP8LA	WPDULA	NP26LA	—	—
	White	WPRUWT	NP8W	WPDUWT	NP26W	WPDU2WT	NP262W
Switches	Brown	WPSUBR	NP1	WPDUBR	NP26	—	—
	Ivory	WPSUIV	NP1I	WPDUIV	NP26I	—	—
	Light Almond	WPSULA	NP1LA	WPDULA	NP26LA	—	—
	White	WPSUWT	NP1W	WPDUWT	NP26W	WPSU2WT	NP2W

Accessories



Description	Catalog Number
Rocker Replacement for WDSDUWT	WDASDUWT
Rear Covers	Switches Receptacles
	WDSBACKS WDRBACKS
Wood Screws, Unpainted	2 ¼" long for surface mounting 3" long for WDQCPR series
	WD6601 WD7701
Pawls	7/8" Pawls (wings) for flush mounting
	WDPAWLS
Pawls Screws, Unpainted	1 5/8" long for switches and receptacles, White
	WD5502

Routing Templates - 3 Inch Router Size

- Ensures precise, level hole openings
- Template provides consistent height placement throughout the home
- Counter unit designed for use under cabinetry and in tight areas

Description	Catalog Number
1-Gang switch/receptacles for countertops	WT858
1-Gang switch, 1-Gang receptacle	WT855
Replacement nylon parts for 1-Gang opening	WT813



Wiring Devices



GFCI Tamper-Resistant Receptacles

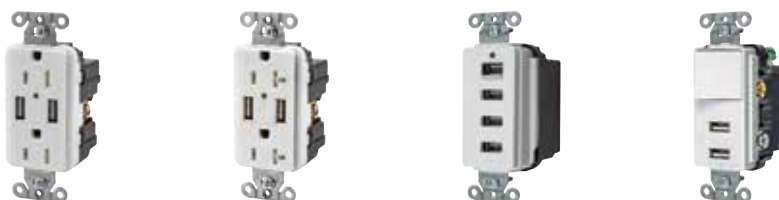
- Patented AUTOGUARD® technology
- Meets 2015 UL943



Rating	Color	Standard	Nightlight, 2 LED Lights	Combination Switch
15A 125V	Black	GFTRST15BK	GFTRST15BKNL	—
	Brown	GFTRST15	GFTRST15NL	—
	Ivory	GFTRST15I	GFTRST15INL	GFSPST15I
	Light Almond	GFTRST15LA	GFTRST15LANL	GFSPST15LA
	White	GFTRST15W	GFTRST15WNL	GFSPST15W
20A 125V	Black	GFTRST20BK	GFTRST20BKNL	—
	Brown	GFTRST20	GFTRST20NL	—
	Ivory	GFTRST20I	GFTRST20INL	—
	Light Almond	GFTRST20LA	GFTRST20LANL	—
	White	GFTRST20W	GFTRST20WNL	—

USB Outlets

- Compatible with USB 1.1/2.0/3.0 devices, including Apple® products
- Stainless steel ports are rated for minimum 10,000 insertions and removals



Description	Color	Duplex Charger Receptacles Two USB type 2.0 Ports, 3.8 Amp, 5 Volt DC		4-Port Outlets 5 Amp, 5 Volt DC	Switch Combo Outlets Two USB type 2.0 Ports, 2.1 Amp, 5 Volt 15 Amp, 120V AC Single Pole/3-Way Switch
		15A	20A		
Designed to provide maximum charging for portable electronics	Black	USBB15BK	USBB20BK	USBB4BK	USBB102BK
	Brown	USBB15	USBB20	USBB4	USBB102
	Ivory	USBB15I	USBB20I	USBB4I	USBB102I
	Light Almond	USBB15LA	USBB20LA	USBB4LA	USBB102LA
	White	USBB15W	USBB20W	USBB4W	USBB102W

Lighting Controls

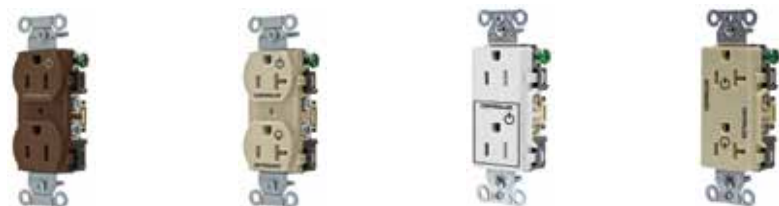
- Reduces energy costs
- Occupancy sensors turn ON the load when motion is detected in an area



Description	Color	Wall Switches, Passive Infrared		Ceiling Sensor, Adaptive technology. Requires a Control Unit	Control Units 120/277V AC, 50/60 Hz for use with Ceiling Sensor	
		Manual adjusting, selectable manual/auto ON operation	Manual adjusting, auto ON operation		Standard	Heavy Duty
		Standard, 120/277V AC	Standard, 120V AC Only		1000 Sq. Ft.	Standard
Occupancy sensors turn ON the load when motion is detected	Ivory White	MS2000I MS2000W	MS1000I MS1000W	— MSD1000C	MSCU	MSCUHD

Automatic Receptacle Control

- Power when you need it...
Energy savings when you don't
- Convenience outlets are turned OFF when the area is vacant



Description	Color	Standard Duplex Smooth nylon face, back and side wired		Decorator Duplex Smooth nylon face, back and side wired	
		15A	20A	15A	20A
		The markings identify which receptacles are turned OFF when the space is vacant	Brown Ivory White	CBRS15Cx CBRS15CxI CBRS15CxWHI	CBRS20Cx CBRS20CxI CBRS20CxWHI

X = Number of controlled receptacles. Replace "x" with "1" for one controlled face or "2" for two controlled faces.





Extra Heavy-Duty Industrial Plugs and Connectors

- Virtually unbreakable thermoplastic
- Heavy duty contacts



Device	Black/White Nylon .300-.655 (7.6-16.6) Cord Dia.		High Visibility; Yellow Nylon .220-.660 (7.6-16.8) Cord Dia.
	15A 125V	20A 125V	15A 125V
Plug	BRY5266NP	BRY5366NP	BRY5965Y
Connector	BRY5269NC	BRY5369NC	BRY5969Y

Residential Grade Duplex Receptacles

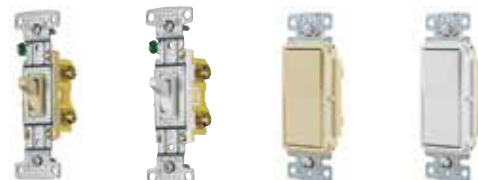
- Tough thermoplastic ultrasonically welded cover and base
- Hi-visibility yellow base



Device	Conventional		Decorator		
	Push & Side Wire	Tamper-Resistant, Push & Side Wire	Push & Side Wire	Tamper-Resistant, Push & Side Wire	Tamper/Weather Resistant, Push & Side Wire
	15A 125V	15A 125V	15A 125V	15A 125V	15A 125V
Brown	RR15	RR15STR	RRD15	RRD15STR	RRD15SWRTR
Ivory	RR15I	RR15SITR	RRD15I	RRD15SITR	RRD15SIWTRTR
Lt. Almond	RR15LA	RR15SLATR	RRD15LA	RRD15SLATR	RRD15SLAWRTR
White	RR15W	RR15SWTR	RRD15W	RRD15SWTR	RRD15SWWRTR

Residential Grade Switches

- Tough thermoplastic ultrasonically welded cover and base
- Quiet snap action mechanism



Device	Toggle		Decorator	
	Single Pole	Three-Way	Single Pole	Three-Way
	15A 120V	15A 120V	15A 120V	15A 120V
Brown	RS115	RS315	RSD115	RSD315
Ivory	RS115I	RS315I	RSD115I	RSD315I
Lt. Almond	RS115LA	RS315LA	RSD115LA	RSD315LA
White	RS115W	RS315W	RSD115W	RSD315W

Locking Plugs, Connectors and Receptacles

- Virtually unbreakable thermoplastic
- Triple Gripper® cord retention
- Large wire terminals



NEMA	Rating	Triple Gripper® Plug	Triple Gripper® Connector	Single Receptacle
L5-15	15A 125V	4721NP	4732NC	—
L5-20	20A 125V	70520NP	70520NC	70520FR
L5-30	30A 125V	70530NP	70530NC	70530FR
L6-20	20A 250V	70620NP	70620NC	70620FR
L6-30	30A 250V	70630NP	70630NC	70630FR
L14-30	30A 125/250V	71430NP	71430NC	71430FR

For more information, visit <http://www.hubbell-wirecon.com>

