



*Steel Boxes, Covers and Accessories*



## GENERAL INFORMATION

### STANDARDS, 2020 NATIONAL ELECTRICAL CODE®

#### Applications: Steel Boxes

RACO® high-quality steel boxes:

- Are used in branch circuit wiring
- Accommodate wiring devices, such as switches and receptacles
- Most may also serve as fixture supports
- Provide excellent protection for wiring system or devices
- Must be closed with a cover, light fixture canopy or wallplate
- Permit access to conductors for maintenance
- Allow for branch circuit runs
- Provide two-hour fire rating for 4x4 or smaller wall opening

#### Product Features: Outlet Boxes for Fixture or Fan Support

These high-quality boxes:

- Are listed to support lighting fixture canopies or fans
- Feature oversized #10 screws to provide strength and rigidity

#### Product Features: TKO® Knockouts

- TKO® knockouts offer greater flexibility with RACO® combination 1/2" and 3/4" knockout
- Stock just one product instead of two or three
- One product for the installer to carry

#### TKO Provides Reliable Grounding Path

- Independent tests conducted by UL prove that the TKO passes the same high-current fault test used to test grounding bushings and ground lugs
- RACO® TKO knockout is UL Listed, providing bonding without the use of bonding jumpers
- Suitable for bonding without any additional bonding means around concentric (or eccentric, TKO) knockouts where used in circuits above or below 250V
- This knockout does not impair the electrical connection to ground

#### Most RACO® Boxes Have At Least One Tapped #10-32 Grounding Hole

- The products that do not have a grounding screw hole are: plenum boxes catalog numbers 226 and 239

#### Product Features: Combination Screw Heads

- Cover and clamp screws have combination slotted/Phillips heads
- Self-tapping screws provide for 100% thread engagement

#### Metallic Boxes: Fire Resistance Rating Wall Penetrations\*

Listed single and double gang metallic outlet and switch boxes with metallic or nonmetallic cover plates, also metallic 4x4 and octagon boxes may be used in bearing and non-bearing wood stud and steel stud walls, and floor-ceiling and roof-ceiling assemblies with ratings not exceeding two hours.

The surface area of individual metallic outlet or switch boxes shall not exceed 16 square inches through a fire rated wall. The aggregate surface area of the boxes shall not exceed 100 square inches per 100 square feet. Boxes located on opposite sides of walls or partitions shall be separated by a horizontal distance of 24 inches.

The metallic outlet or switch boxes shall be securely fastened to the studs, and the opening in the wallboard facing shall be cut so that the clearance between the box and the wallboard does not exceed 1/8 inch.

\* Reference: Fire Resistance Ratings ANSI/UL 263, Sec. III-6.

#### Standard Materials: Steel Covers, Outlet and Standard Switch Boxes

- Steel boxes and covers are made of .0625 inch thick pre-galvanized sheet steel
- Handy Box covers are made of .030 inch thick galvanized sheet steel

#### Compliances

RACO® steel boxes and covers generally carry the following compliance ratings. Check specific catalog pages for individual compliances.

- UL Listed – Standard 514-A, file E195978 (“QCIT” Category)
- Boxes and covers are listed for their Electrical Applications (electrical codes), UL Electrical Construction Equipment Online Directory (electrical codes).
- Boxes are listed for Fire Resistance Directory, including the Two-Hour Fire Rating, (building codes) UL Orange Book
- UL Classified Standard – UL263 file R16536, CEYY, QBWY
- CSA Certified – C22.2 #18, CSA File LR-1082
- ANSI/NEMA OS1
- Federal Manufacturer’s number 28488



For installation guidelines and to learn more about RACO® products, visit the NEMA website at <http://www.nema.org>.

The National Electrical Manufacturers Association (NEMA) website is a valuable electrical resource providing the information you need - quickly.

#### Wiring Capacity: Steel Outlet and Switch Boxes; Cubic Inches

#### Maximum Number of Conductors or Minimum Size Box Required – National Electrical Code Article 314.16 (A and B) also table 314.16(A)

The purpose of NEC® Article 314.16 is to determine the maximum conductor count or the minimum box size required for an application. It also may be used to determine how many other conductors may be added without exceeding the Code-prescribed limit.

### STANDARDS, 2020 NATIONAL ELECTRICAL CODE®

Most applications have determined the number of conductors. The question that then remains is the smallest (minimum) size box that is permitted. The rules of Article 314.16 are to be used to determine the Code-recognized limit.

Selection of an outlet or junction box for use in an electrical circuit work must take into consideration the maximum number of wires permitted in the box. Safe electrical practice demands that wires not be jammed into boxes because of the possibility of nicks, abrasions or other damage to the insulating material, creating the potential for ground faults or short circuits.

#### Article 314 – Boxes and Fittings

##### NEC® 314.16 (A and B) also table 314.16(A). Number of Conductors in Outlet, Device, and Junction Boxes, and Conduit Bodies.

Boxes shall be of sufficient size to provide free space for all enclosed conductors. In no case shall the volume of the box, as calculated in (a) below, be less than the fill calculation as calculated in (b) below. The minimum volume for conduit bodies shall be as calculated in (c) below.

The provisions of this section shall not apply to terminal housings supplied with motors. See Section 430.12.

Boxes and conduit bodies enclosing conductors, size #4 or larger, shall also comply with the provisions of Section 314-28.

**(a) Box Volume Calculations.** The volume of a wiring enclosure (box) shall be the total volume of the assembled sections, and, where used, the space provided by plaster rings, domed covers, extension rings, etc., that are marked

with their volume in cubic inches or are made from boxes the dimensions of which are listed in Table 314.16(A).

**(1) Standard Boxes.** The volume of standard boxes that are not marked with a cubic inch capacity shall be as given in \*Table 314.16(A).

**(2) Other Boxes.** Boxes 100 cubic inches (1,640 cu. cm3.) or less, other than those described in table, and nonmetallic boxes shall be durably and legibly marked by the manufacturer with their cubic inch capacity. Boxes described in table that have a larger cubic inch capacity than is designated in the table shall be permitted to have their cubic inch capacity marked as required by this section.

**(b) Box Fill Calculations.** The volumes in paragraphs (1) through (5) below, as applicable, shall be added together. No allowance shall be required for small fittings such as locknuts and bushings.

**(1) Conductor Fill.** Each conductor that originates outside the box and terminates or is spliced within the box shall be counted once, and each conductor that passes through the box without splice or termination shall be counted once. The conductor fill, in cubic inches, shall be computed using Table 314.16(B)(1). A conductor, no part of which leaves the box, shall not be counted.

*Exception: Where an equipment grounding conductor or not over four fixture wires smaller than #14, or both, enter a box, from a domed fixture or similar canopy and terminate within that box, it shall be permitted to omit these conductors from the calculations.*

**(2) Clamp Fill.** Where one or more internal cable clamps, whether factory or field supplied, are present in the box, a single volume allowance in accordance with NEC® 314.16(B)(2) shall be made based on the largest conductor present in the box. No allowance shall be required for a cable connector with this clamping mechanism outside the box.

**(3) Support Fittings Fill.** Where one or more fixture studs or hickey are present in the box, a single volume allowance in accordance with NEC® 314.16(B)(3) shall be made for each type of fitting based on the largest conductor present in the box.

**(4) Device or Equipment Fill.** For each yoke or strap containing one or more devices or equipment, a double volume allowance in accordance with NEC® 314.16(B)(4) shall be made for each yoke or strap based on the largest conductor connected to a device(s) or equipment supported by that yoke or strap.

**(5) Equipment Grounding Conductor Fill.** Where one or more equipment grounding conductor(s) enter(s) a box, a single volume allowance in accordance with Table 314.16B shall be made based on the largest equipment grounding conductor present in the box. Where an additional set of equipment grounding conductors, as permitted by NEC® 314.16(B)(5) are present in the box, an additional volume allowance shall be made based on the largest equipment grounding conductor in the additional set.

## GENERAL INFORMATION

### STANDARDS, 2020 NATIONAL ELECTRICAL CODE®

MOST OFTEN REQUESTED SECTIONS OF THE NATIONAL ELECTRICAL CODE®	HOW RACO® PRODUCTS HELP COMPLETE THE INSTALLATION
<p><b>250.97 Method of Bonding Service Equipment — Bonding Jumpers.</b> Bonding jumpers are <u>not</u> required for concentric and eccentric knockouts <u>if</u> they are listed.</p>	<p>This Section is used to ensure that there is ground continuity when a concentric or eccentric knockout incorporated in a box. A bonding jumper is not required when using any of the RACO® patented TKO knockout boxes.</p>
<p><b>314.27 (A) Boxes at Lighting Fixture Outlets.</b> Boxes to support light fixtures must be listed for fixture support.</p>	<p>Device boxes use #6-32 screws to secure devices such as snap-switches and receptacles. They are not suitable for support of other than very lightweight lighting fixtures, such as some wall-bracket types.</p>
<p><b>314.27 (B) Floor Boxes.</b> Boxes listed specifically for this application shall be used for receptacles located in the floor. Exception: Boxes located in elevated floors of show windows and similar locations where the authority having jurisdiction judges them free from physical damage, moisture and dirt.</p>	<p>Only boxes that are UL Listed for the application may be fastened into the floor. RACO® floor boxes are in Section A of this catalog.</p>
<p><b>314.27 (C) Boxes at Fan Outlets.</b> Boxes at Ceiling-Suspended (Paddle) Fan Outlets. Outlet boxes or outlet box systems used as the sole support of a ceiling suspended (paddle) fan shall be listed, shall be marked by their manufacturer as suitable for this purpose, and shall not support ceiling-suspended (paddle) fans that weigh more than 32kg (70lb).</p>	<p>For any ceiling outlet that is intended to have a ceiling (paddle) fan installed, a UL Listed outlet box rated for ceiling fan support must be installed. RACO® offers a complete line of products designed for various applications and mounting needs.</p>
<p><b>314.16 (A)(3) Space for Conductors.</b> Canopies and outlet boxes taken together shall provide adequate space so that fixture conductors and their connecting devices can be properly installed.</p>	<p>When calculating the minimum cubic inch requirements for an outlet box, the canopy may be included in the calculation at the discretion of the Authority Having Jurisdiction. If the canopy of the fixture/fan is marked with the cubic inch capacity, then the additional volume must be accepted by the Authority Having Jurisdiction.</p>
<p><b>314.27 (B) Maximum Luminaire Weight.</b> Fixtures greater than 50 pounds cannot be supported by a fixture box unless additional independent support is provided.</p>	<p>All outlet boxes that are intended to be used with fixtures are tested in accordance with UL Standard 514A.</p>
<p><b>250.146 (A) Surface-Mounted Box.</b> Where the box is mounted on the surface, direct metal-to-metal contact between the device yoke and the box or a contact yoke or device that complies with 250.146(B) shall be permitted to ground the receptacle to the box.</p>	<p>This new method provides better bonding for the cover. RACO flat corner covers and mud rings comply.</p>

STANDARDS, 2020 NATIONAL ELECTRICAL CODES®

<b>MOST OFTEN REQUESTED ARTICLES OF THE 2020 NATIONAL ELECTRICAL CODE®</b>	<b>HOW RACO® PRODUCTS HELP COMPLETE THE INSTALLATION</b>
<p><b>800.133 Exception (A)(1)(d) Installation of Communications Wires, Cables and Equipment – Electric Light or Power Circuits.</b>                      Communications conductors shall not be placed in any raceway, compartment, outlet box, junction box, or similar fitting with conductors or electric light or power circuits or Class 1 circuits.</p>	<p>When power and voice/data are brought to one enclosure, a means of dividing the wiring is required. Voltage barriers are available on the following box types: 4" and 4-11/16" square boxes, three- and four-gang switch boxes, masonry boxes, and gang boxes.</p>
<p><b>406.12, Tamper-resistant Receptacles.</b>                      In all areas specified in 406.12(1) through 406.12(8), all 125 volt, 15 and 20 amp receptacles shall be listed tamper-resistant receptacles.</p>	<p>This is to prevent shocks of small children that like to insert keys, paper clips, etc. into the receptacle slots.</p>
<p><b>314.24 (B) Depth of Boxes.</b> Minimum depth of boxes for outlets, devices, and utilization equipment.</p>	<p>Boxes must be a minimum depth depending on their use and/or are required to have a minimum clearance behind the device or equipment of per 314.24 (B).</p>

## BOX SELECTION

### CALCULATE THE MINIMUM SIZE BOX

NEC® 314.16 (A) and (B) describes the detailed way of counting wires, as well as clamps, fittings or devices (i.e., switches, receptacles, combination devices) – by establishing an equivalent conductor value for each. Those values are added together to get a total number of conductors. The minimum size box is the smallest one in Table 314.16(A) that can accommodate that number of conductors.

1. No matter how many ground wires come into a box, they only count as one conductor within the box.
2. Any wire 12 inches or less in length running unbroken through the box counts as one wire.
3. Each wire coming into a splice device (crimp or twist-on type) is counted as one wire.
4. Each wire coming into the box and connecting to a device counts as one wire of that size.

5. Fixture studs, cable clamps and hickey are to be counted as one for each type of fitting. If a box contains two cable clamps, the total is only to be increased by one.

6. Where devices are mounted in the box, the total conductor count must be increased by two for each mounting strap.

**Example #1: – Conduit Boxes:** Supply power to a switch that will control a remote light with #14 conductors. Metal conduit and fittings will be used as the wire way. You must provide space for four conductors and one switch, totaling 6. Read across the line “Allowances” in the **Box Fill** table to column 6, then read down to the minimum cubic inches required for #14 conductor. This example requires a minimum of 12.0 cubic inches.

**Example #2: – Cable Boxes:**

This example will illustrate how the minimum size is determined for a box with cable clamps fed by two #12-2 nonmetallic sheathed cables and supplying a 15A duplex receptacle. After supplying the receptacle, the conductors are extended to other outlets.

Circuit conductors.....	4
Ground conductors .....	1
Cable clamps .....	1
Device (receptacle).....	2
<b>Total.....</b>	<b>8</b>

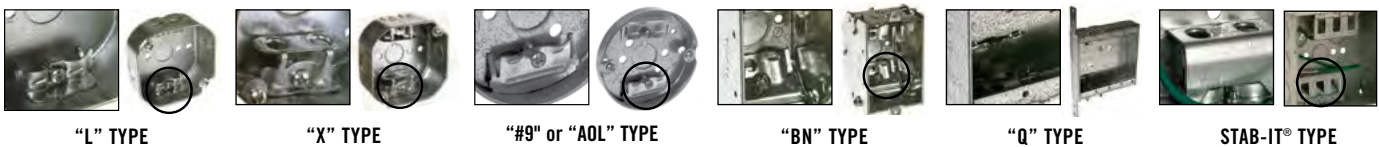
Using the **Box Fill** table from the next page, read across the line “Allowances” to column 8, then down to the minimum cubic inches required for #12 conductor. This example requires a minimum of 18.0 cubic inches.

### STEEL BOX SELECTION CHART

CUBIC INCHES:	42.0	30.3	29.5	21.5	21.0	18.0
<b>CONDUIT STEEL BOXES</b>	4-11/16" Sq. 2-1/8" Deep (inside)	4" Sq. 2-1/8" (Depth Inside)	4-11/16" Sq. 1-1/2" (Depth Inside)	4" Oct. 2-1/8" (Depth Inside)	4" Sq. 1-1/2" (Depth Inside)	Switch 3-1/2" (Depth Inside)

CUBIC INCHES:	30.3	42.0	21.5	21.0	18.0
<b>MC/BX &amp; NONMETALLIC CABLE STEEL BOXES</b>	4" Sq. 2-1/8" (Depth Inside)	4-11/16" Sq. 2-1/8" (Depth Inside)	4" Oct. 2-1/8" (Depth Inside)	4" Sq. 1-1/2" (Depth Inside)	Switch 3-1/2" (Depth Outside)

### CLAMP TYPES



KNOCKOUTS AND PRIORTS			
<p><b>CABLE PRIORTS</b> Always in pairs.</p>			
<p><b>FLAT-BOTTOMED CABLE PRIORTS</b> Eliminate chance of cable being cut.</p>			

PLASTER EARS	
<b>ONE-SCREW EAR</b>	<b>TWO-SCREW EAR</b>
Adjustable plaster ears are included on many switch boxes and one octagon box. They are set forward 1/32".	

### BOX FILL

Conductor Size (AWG)	Volume Per Conductor		ALLOWANCES								
	cm <sup>3</sup>	in. <sup>3</sup>	6	7	8	9	10	11	12	13	14
#18	24.6	1.50	9.00	10.50	12.00	13.50	15.00	16.50	18.00	19.50	21.00
#16	28.7	1.75	10.50	12.25	14.00	15.75	17.50	19.25	21.00	22.75	24.50
#14	32.8	2.00	12.00	14.00	16.00	18.00	20.00	22.00	24.00	26.00	28.00
#12	36.9	2.25	13.50	15.75	18.00	20.25	22.50	24.75	27.00	29.25	31.50
#10	41.0	2.50	15.00	17.50	20.00	22.50	25.00	27.50	30.00	32.50	35.00
#8	49.2	3.00	18.00	21.00	24.00	27.00	30.00	33.00	36.00	39.00	42.00
#6	81.9	5.00	30.00	35.00	40.00	45.00	50.00	55.00	60.00	65.00	70.00

16.5

**Handy**

2-1/8" (Depth Inside)

15.5

**4" Oct.**

1-1/2" (Depth Inside)

14.0

**Switch**

2-3/4" (Depth Outside)

13.0

**Handy**

1-7/8" (Depth Outside)

12.5

**Switch**

2-1/2" (Depth Outside)

3.8

**3-1/2" Rnd. Pan**

1/2" (Depth Inside)

6.0

**4" Rnd. Pan**

1/2" (Depth Inside)



15.8

**Switch**

2-9/64" (Depth Outside)

15.5

**4" Oct.**

1-1/2" (Depth Inside)

14.0

**Switch**

2-3/4" (Depth Outside)

12.5

**Switch**

2-1/2" (Depth Outside)

4.0

**3-1/2" Pan**

1/2" (Depth Inside)



### CLAMP TECHNICAL DATA

CLAMP TYPE	RACEWAY TYPE					
	ARMORED CABLE (BX)		METAL CLAD CABLE INTERLOCKING (MCI)		NONMETALLIC SHEATHED CABLE	FLEXIBLE METAL CONDUIT
	STEEL	ALUMINUM	STEEL	ALUMINUM		
"L" TYPE	—	—	—	—	#14-2 to #10-3 w/ground	—
"X" TYPE	#14-2 (.444 in outer diam.) to largest size to fit in clamp	#14-2 (.444 in outer diam.) to largest size to fit in clamp	.425 TO .600 outer diam.	.400 to .495 outer diam.	—	3/8" trade size
"#9" OR "AOL" TYPE	—	—	—	—	#14-2 w/ground	—
"Q" TYPE	—	—	—	—	#14-2 to #10-3 w/ground	—
"BN" TYPE	—	—	—	—	#14-2 w/ground or #12-2 w/ground	—
STAB-IT TYPE	.400 to .605 outer diam.	.400 to .605 outer diam.	.400 to .605 outer diam.	.400 to .605 outer diam.	—	3/8" trade size

## BOX SELECTION

BRACKET TECHNICAL DATA												
BRACKET TYPE	"A"	"B"	"D"	"FH"	"FM"	"FS"	"J"	"LB"	"MS"	"TS"	"W"	"H" or "M"
LENGTH (In.)	6-7/16"	1-61/64"	6-1/4"	6-61/64"	7-5/8"	6-61/64"	2-3/8"	1-31/32"	4-1/2"	7"	6-25/32"	3-1/8"
WIDTH	5/8"	2"	21/32"	1-9/16"	1-9/16"	1-9/16"	2-23/32"	3-3/64"	1-1/2"	1-1/16"	1-1/16"	7/8"
OFFSET				3/8"	3/8"	3/8"	1/4"			17/64"	1-5/16"	3/8"
FOR METAL	✓		✓		✓	✓			✓	✓	✓	✓
FOR WOOD	✓	✓	✓	✓	✓	✓	✓	✓		✓	✓	✓



**"A" Bracket**  
Positions handy box against face and side of stud.

**"FH" Bracket**  
Side-mount bracket with hooks that drive into face of stud.



**"D" Bracket**  
Mounts on flat side of stud.



**BOX-LOC® "MS" Bracket**  
Positions box on either side of stud. BOX-LOC® (MS) Bracket Box is a snap to install. Place the bracket on the open side of the stud first. Slots in the bracket engage the lip of the stud and actually crimp it as you press the bracket on the stud. Barbed hooks dig into the flat side of the stud, quickly locking it into place.



**"J" Bracket**  
Spurs, slotted holes for toe-nailing. Gauging notches at 3/8" and 1/2".

**"UBS" Support**  
Universal Back Side support to provide bracing on back of box for wall cavities 2-1/2" - 6" thick.



**"W" Bracket**  
Positions box away from side of stud to clear the trim molding of a door frame.



**"B" Bracket**  
Face mounts on front edge of wood stud. Use when space between studs is limited.

**"FM" Bracket**  
Mounts on flat side of stud.



**"LB" Bracket**  
Face mounts on front edge of wood stud. Use when space between studs is limited. 5/8" offset to clear narrow door molding.



**"TS" Bracket**  
Side-mount bracket for octagon, square, switch and handy boxes. Gauging tabs and recessed nailing spurs.

**"M" Bracket**  
Brackets on both/opposite sides of box



**"H" Bracket**  
Narrow bracket allows side-by-side mounting on stud. Positioning tabs locate box perfect distance from stud. V notch centers box. Dimples protect flush drywall installation.

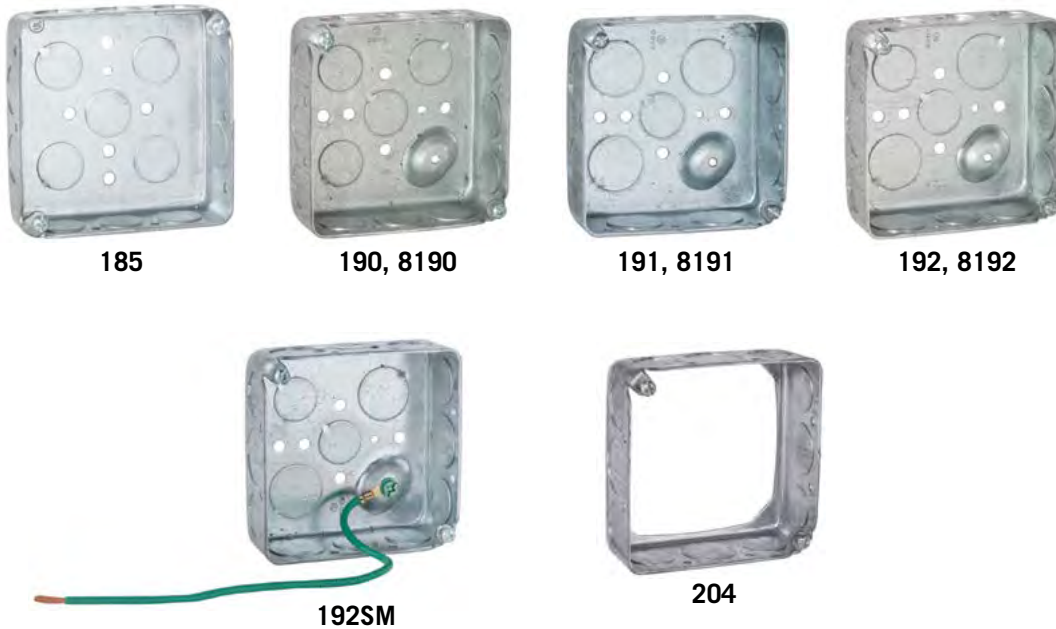


**"FS" Bracket**  
Mounts on flat side of stud. Gauging tabs and recessed nailing spurs.





### 4" SQUARE BOXES – DRAWN WITH CONDUIT KO'S



CAT. #	DESCRIPTION	CUBIC INCHES (CM <sup>3</sup> )	KNOCKOUTS		STD. PKG.	BAR CODE
			SIDES CONDUIT	BOTTOM CONDUIT		
<b>4" Square Box, 1-1/4" Deep – Drawn with Conduit KO's</b>						
185	—	18.0 (295.0)	(10) 1/2"	(5) 1/2"	50	IIIIIIII
<b>4" Square Box, 1-1/2" Deep – Drawn with Conduit KO's</b>						
190	Raised Ground	21.0 (344.1)	(12) 1/2"	(4) 1/2"	50	—
8190	Raised Ground	21.0 (344.1)	(12) 1/2"	(4) 1/2"	50	IIIIIIII
191	Raised Ground	21.0 (344.1)	(8) 3/4"	(1) 1/2", (3) 3/4"	50	—
8191	Raised Ground	21.0 (344.1)	(8) 3/4"	(1) 1/2", (3) 3/4"	25	IIIIIIII
192	Raised Ground	21.0 (344.1)	(8) 1/2", (4) 3/4"	(2) 1/2", (2) 3/4"	50	—
8192	Raised Ground	21.0 (344.1)	(8) 1/2", (4) 3/4"	(2) 1/2", (2) 3/4"	50	IIIIIIII
192SM	Raised Ground, 10" #12 Stranded Copper Pigtail	21.0 (344.1)	(8) 1/2", (4) 3/4"	(2) 1/2", (2) 3/4"	50	IIIIIIII
<b>4" Square Thru-the-Wall Box, 1-1/2" Deep – Drawn with Conduit KO's</b>						
204	—	22.5 (368.7)	(8) 1/2", (4) 3/4"	—	50	—

#### APPLICATIONS

- RACO® Boxes are installed in walls or ceilings for lighting fixtures, switches or receptacles
- Square boxes are used where multiple conductor runs are split into two or more directions to bring power to a number of electrical devices
- Drawn boxes are ideal for exposed work applications

#### PRODUCT FEATURES

- Combination screw heads provide for faster installation
- Thru-the-wall box is designed for shallow wall applications and allows for attachment of wall plate to both faces of box

#### COMPLIANCE

- LISTED
- All RACO UL listed steel boxes are acceptable for use in 2 hr. fire rated floor-ceiling and roof-ceiling assemblies, as well as 2 hr. fire rated bearing and non-bearing wood stud and steel stud walls. For additional information consult Fire Resistance Ratings ANSI/UL 263, Sec. III-6

SEE END OF SECTION (PG A78) FOR DETAILED DRAWINGS >>



## SQUARE BOXES AND COVERS

### 4" SQUARE BOXES – WELDED WITH CONDUIT KO'S



181



189, 8189



189RAC



189SM



911-9

#### APPLICATIONS

- RACO® Boxes are installed in walls or ceilings for lighting fixtures, switches or receptacles
- Square boxes are used where multiple conductor runs are split into two or more directions to bring power to a number of electrical devices

#### PRODUCT FEATURES

- Combination screw heads provide for faster installation
- TKO® Knockouts allow for design and installation flexibility.
- Red boxes, covers and extensions for dedicated life safety alarm circuits

#### COMPLIANCE

- LISTED
- All RACO UL listed steel boxes are acceptable for use in 2 hr. fire rated floor-ceiling and roof-ceiling assemblies, as well as 2 hr. fire rated bearing and non-bearing wood stud and steel stud walls. For additional information consult Fire Resistance Ratings ANSI/UL 263, Sec. III-6
- **600V** Per U.L. 514-A, suitable for use without a bonding jumper in circuits up to 600 volts

CAT. #	DESCRIPTION	CUBIC INCHES (CM <sup>3</sup> )	KNOCKOUTS		STD. PKG.	BAR CODE
			SIDES CONDUIT	BOTTOM CONDUIT		
<b>4" Square Box, 1-1/2" Deep – Welded with Conduit KO's</b>						
181	—	21.0 (344.1)	(8) 3/4"	(1) 1/2" (4) 3/4"	50	—
189	<b>600V</b> , Raised Ground	21.0 (344.1)	(8) 1/2" (4) TKO	(2) 1/2" (2) TKO	50	—
8189	<b>600V</b> , Raised Ground	21.0 (344.1)	(8) 1/2" (4) TKO	(2) 1/2" (2) TKO	50	
189RAC	<b>600V</b>	21.0 (344.1)	(8) 1/2" (4) TKO	(2) 1/2" (2) TKO	50	—
189SM	<b>600V</b> , Raised Ground, 10" #12 Stranded Copper Pigtail	21.0 (344.1)	(8) 1/2" (4) TKO	(2) 1/2" (2) TKO	50	
911-9	<b>600V</b> , Raised Ground, <b>Painted Red</b>	21.0 (344.1)	(8) 1/2" (4) TKO	(2) 1/2" (2) TKO	50	—

SEE END OF SECTION (PG A78) FOR DETAILED DRAWINGS >>



### 4" SQUARE BRACKETED BOXES – WELDED WITH CONDUIT KO'S



196, 8196



8197



199



208, 8208



193, 8193



189F



189H, 189HS



189HWP



189M



227 BOX-LOC®

CAT. #	DESCRIPTION	CUBIC INCHES (CM <sup>3</sup> )	KNOCKOUTS		STD. PKG.	BAR CODE
			SIDES CONDUIT	BOTTOM CONDUIT		
<b>4" Square Bracketed Boxes, 1-1/2" Deep – Welded with Conduit KO's</b>						
196	600V, FS, Flush	21.0 (344.1)	(6) 1/2" (3) TKO	(3) 1/2" (2) TKO	25	—
8196	600V, FS, Flush	21.0 (344.1)	(6) 1/2" (3) TKO	(3) 1/2" (2) TKO	25	
8197	600V, FH, Flush	21.0 (344.1)	(6) 1/2" (3) TKO	(3) 1/2" (2) TKO	25	
199	600V, FS, Flush	21.0 (344.1)	(6) 3/4"	(1) 1/2" (4) 3/4"	25	—
208	W, Flush	21.0 (344.1)	(6) 1/2" (3) TKO	(3) 1/2" (2) TKO	25	—
8208	600V, W, Flush	21.0 (344.1)	(6) 1/2" (3) TKO	(3) 1/2" (2) TKO	25	
193	600V, B, Flush	21.0 (344.1)	(6) 1/2" (3) TKO	(3) 1/2" (2) TKO	25	—
8193	600V, B, Flush	21.0 (344.1)	(6) 1/2" (3) TKO	(3) 1/2" (2) TKO	10	
189F	600V, Raised Ground, 8" #12 Solid Copper Pigtail, UBS Farside Support	21.0 (344.1)	(8) 1/2" (4) TKO	(2) 1/2" (2) TKO	50	—
189H	600V, Raised Ground, 8" #12 Solid Copper Pigtail, UBS, HM	21.0 (344.1)	(6) 1/2" (3) TKO	(2) 1/2" (2) TKO	20	—
189HS	Raised Ground, 10" #12 Stranded Copper Pigtail, UBS, HM	21.0 (344.1)	(6) 1/2" (3) TKO	(2) 1/2" (2) TKO	20	—
189HWP	600V, Raised Ground, UBS, HM	21.0 (344.1)	(6) 1/2" (3) TKO	(2) 1/2" (2) TKO	20	—
189M	600V, Raised Ground, 8" #12 Solid Copper Pigtail, UBS, HM	21.0 (344.1)	(4) 1/2" (2) TKO	(2) 1/2" (2) TKO	20	—
227	600V, MS, Flush, BOX-LOC®, Provided with Far-side support (part #978)	21.0 (344.1)	(6) 1/2" (3) TKO	(3) 1/2" (2) TKO	25	

### APPLICATIONS

- RACO® Boxes are installed in walls or ceilings for lighting fixtures, switches or receptacles
- Square boxes are used where multiple conductor runs are split into two or more directions to bring power to a number of electrical devices

### PRODUCT FEATURES

- Reference the Box Selection section in the front of this catalog for complete description of bracket types and features
- BOX-LOC® (MS) Bracket Box is a snap to install. Place the bracket on the open side of the stud first. Slots in the bracket engage the lip of the stud and actually crimp it as you press the bracket on the stud, quickly locking it in place
- TKO® Knockouts allow for design and installation flexibility
- UBS Support - Welded to box, preset bend points to work with wall thickness 2-1/2" to 6"

### COMPLIANCE

- LISTED
- All RACO UL listed steel boxes are acceptable for use in 2 hr. fire rated floor-ceiling and roof-ceiling assemblies, as well as 2 hr. fire rated bearing and non-bearing wood stud and steel stud walls. For additional information consult Fire Resistance Ratings ANSI/UL 263, Sec. III-6
- 600V Per U.L. 514-A, suitable for use without a bonding jumper in circuits up to 600 volts

SEE END OF SECTION (PG A78) FOR DETAILED DRAWINGS >>



## SQUARE BOXES AND COVERS

### 4" SQUARE EXTENSION RINGS



201, 8201



202



203, 8203



911-6



187



207

#### APPLICATIONS

- RACO® Extension rings provide a means for adding cubic capacity or as an outlet box for surface conduit

#### PRODUCT FEATURES

- Combination screw heads provide for faster installation
- Red boxes, covers and extensions for dedicated life safety alarm circuits
- RACO® 187 can be positioned to accommodate one or two switch boxes

#### COMPLIANCE

- LISTED

CAT. #	DESCRIPTION	CUBIC INCHES (CM <sup>3</sup> )	KNOCKOUTS		STD. PKG.	BAR CODE
			SIDES CONDUIT	BOTTOM CONDUIT		
<b>4" Square Extension Rings, 1-1/2" Deep – Drawn with Conduit KO's</b>						
201	—	22.5 (368.7)	(12) 1/2"	—	50	—
8201	—	22.5 (368.7)	(12) 1/2"	—	25	
202	—	22.5 (368.7)	(8) 3/4"	—	50	—
203	—	22.5 (368.7)	(8) 1/2", (4) 3/4"	—	50	—
8203	—	22.5 (368.7)	(8) 1/2", (4) 3/4"	—	20	
911-6	Painted Red	22.5 (368.7)	(8) 1/2", (4) 3/4"	—	50	—
187	Attaches to Switch Boxes	22.5 (368.7)	(8) 1/2", (4) 3/4"	—	25	
<b>4" Square Extension Rings, 2-1/8" Deep – Welded with Conduit KO's</b>						
207	—	30.3 (496.5)	(6) 1/2", (6) 3/4"	—	25	—

SEE END OF SECTION (PG A78) FOR DETAILED DRAWINGS >>



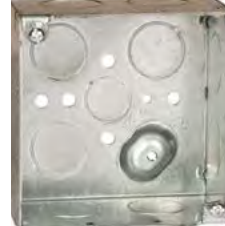
### 4" SQUARE BOXES – WELDED WITH CONDUIT KO'S



**232, 8232**



**232RAC**



**231, 8231**



**233, 8233**



**232SM**



**911-3**



**232CS**



**232-0W**

CAT. #	DESCRIPTION	CUBIC INCHES (CM <sup>3</sup> )	KNOCKOUTS		STD. PKG.	BAR CODE
			SIDES CONDUIT	BOTTOM CONDUIT		
<b>4" Square Box, 2-1/8" Deep – Welded with Conduit KO's</b>						
232	600V, Raised Ground	30.3 (496.5)	(8) 1/2", (4) TKO	(2) 1/2", (2) TKO	25	—
8232	600V, Raised Ground	30.3 (496.5)	(8) 1/2", (4) TKO	(2) 1/2", (2) TKO	25	
232RAC	600V	30.3 (496.5)	(8) 1/2", (4) TKO	(3) 1/2", (2) TKO	25	—
231	600V, Raised Ground	30.3 (496.5)	(8) 3/4"	(1) 1/2", (4) 3/4"	25	—
8231	600V, Raised Ground	30.3 (496.5)	(8) 3/4"	(1) 1/2", (4) 3/4"	25	
233	600V, Raised Ground	30.3 (496.5)	(8) 1"	(3) 1/2", (2) 3/4"	25	—
8233	600V, Raised Ground	30.3 (496.5)	(8) 1"	(3) 1/2", (2) 3/4"	25	
232SM	600V, Raised Ground, 10" #12 Stranded Copper Pigtail	30.3 (496.5)	(8) 1/2", (4) TKO	(2) 1/2", (2) TKO	25	
911-3	600V, Painted Red	30.3 (496.5)	(8) 1/2", (4) TKO	(2) 1/2", (2) TKO	25	
232CS	600V, Raised Ground, Elevated Side Knockouts	30.3 (496.5)	(8) 1/2", (4) TKO	(2) 1/2", (2) TKO	25	—
232-0W	600V, Raised Ground, Old Work RETRO-RING, Accepts Box Mounting of One or Two Devices	30.3 (496.5)	(8) 1/2", (4) TKO	(2) 1/2", (2) TKO	25	

#### APPLICATIONS

- RACO® Boxes are installed in walls or ceilings for lighting fixtures, switches or receptacles
- Square boxes are used where multiple conductor runs are split into two or more directions to bring power to a number of electrical devices

#### PRODUCT FEATURES

- Combination screw heads provide for faster installation
- TKO® knockouts offer greater flexibility with RACO patented combination 1/2" and 3/4" knockout
- Red boxes, covers and extensions for dedicated life safety alarm circuits

#### COMPLIANCE

- LISTED
- All RACO UL listed steel boxes are acceptable for use in 2 hr. fire rated floor-ceiling and roof-ceiling assemblies, as well as 2 hr. fire rated bearing and non-bearing wood stud and steel stud walls. For additional information consult Fire Resistance Ratings ANSI/UL 263, Sec. III-6.
- 600V Per U.L. 514-A, suitable for use without a bonding jumper in circuits up to 600 volts

SEE END OF SECTION (PG A78) FOR DETAILED DRAWINGS >>



## SQUARE BOXES AND COVERS

### 4" SQUARE BRACKETED BOXES – WELDED WITH CONDUIT KO'S



236



235, 8235



251



232H, 232HS



232HWP, 8232HWP



232M



232F



238 BOX-LOC®



911-4

#### APPLICATIONS

- RACO® Boxes are installed in walls or ceilings for lighting fixtures, switches or receptacles
- Square boxes are used where multiple conductor runs are split into two or more directions to bring power to a number of electrical devices

#### PRODUCT FEATURES

- Reference the Box Selection section in the front of this catalog for complete description of bracket types and features
- BOX-LOC® (MS) Bracket Box is a snap to install. Place the bracket on the open side

of the stud first. Slots in the bracket engage the lip of the stud and actually crimp it as you press the bracket on the stud, quickly locking it in place

- Combination screw heads provide for faster installation
- TKO® knockouts offer greater flexibility with RACO® patented combination 1/2" and 3/4" knockout
- UBS Support - Welded to box, preset bend points to work with wall thickness 2-1/2" to 6"
- Red boxes, covers and extensions for dedicated life safety alarm circuits

#### COMPLIANCE

- LISTED
- All RACO UL listed steel boxes are acceptable for use in 2 hr. fire rated floor-ceiling and roof-ceiling assemblies, as well as 2 hr. fire rated bearing and non-bearing wood stud and steel stud walls. For additional information consult Fire Resistance Ratings ANSI/UL 263, Sec. III-6.
- **600V** Per U.L. 514-A, suitable for use without a bonding jumper in circuits up to 600 volts

CAT. #	DESCRIPTION	CUBIC IN. (CM <sup>3</sup> )	KNOCKOUTS		STD. PKG.	BAR CODE
			SIDES CONDUIT	BOTTOM CONDUIT		
<b>4" Square Box, 2-1/8" Deep – Welded with Conduit KO's</b>						
236	<b>600V</b> , FM, Flush	30.3 (496.5)	(6) 3/4"	(1) 1/2", (4) 3/4"	25	
235	<b>600V</b> , TS, Flush	30.3 (496.5)	(6) 1/2", (3) TKO	(3) 1/2", (2) TKO	25	—
8235	TS, Flush,	30.3 (496.5)	(6) 1/2", (3) TKO	(3) 1/2", (2) TKO	25	
251	B Flush	30.3 (496.5)	(6) 1/2", (3) TKO	(3) 1/2", (2) TKO	25	—
232H	Raised Ground, 8" #12 Solid Copper Pigtail, UBS, HM	30.3 (496.5)	(8) 1/2", (4) TKO	(2) 1/2", (2) TKO	25	—
232HS	Raised Ground, 10" #12 Stranded Copper Pigtail, UBS, HM	30.3 (496.5)	(8) 1/2", (4) TKO	(2) 1/2", (2) TKO	25	—
232HWP	Raised Ground, UBS, HM	30.3 (496.5)	(8) 1/2", (4) TKO	(2) 1/2", (2) TKO	25	—
8232HWP	Raised Ground, UBS, HM	30.3 (496.5)	(8) 1/2", (4) TKO	(2) 1/2", (2) TKO	25	
232M	<b>600V</b> , Raised Ground, 8" #12 Solid Copper Pigtail, UBS, HM	30.3 (496.5)	(8) 1/2", (4) TKO	(2) 1/2", (2) TKO	25	—
232F	<b>600V</b> , Raised Ground 8" #12 Solid Copper Pigtail, UBS	30.3 (496.5)	(8) 1/2", (4) TKO	(2) 1/2", (2) TKO	25	—
238	BOX-LOC®, MS, Flush, Provided with Far-side support (part #978)	30.3 (496.5)	(6) 1/2", (3) TKO	(3) 1/2", (2) TKO	25	
911-4	FM Bracket, <b>Painted Red</b>	30.3 (496.5)	(6) 1/2", (3) TKO	(3) 1/2", (2) TKO	25	—

SEE END OF SECTION (PG A78) FOR DETAILED DRAWINGS >>





### 4" SQUARE PLENUM BOXES AND COVER



226



231PL



239



203PL



762



125PL



165PL



722PL



257PL



258PL



259PL\*



264PL



265PL



250PL



832PL

CAT. #	DESCRIPTION	CU. IN. (CM <sup>3</sup> )	AIR-TIGHT KNOCKOUTS		STD. PKG.	BAR CODE
			SIDES CONDUIT	BOTTOM CONDUIT		
<b>4" Square Plenum Box and Covers</b>						
226	1-1/2" deep box	21	(8) 1/2", (4) 3/4"	(3) 1/2", (2) 3/4"	50	
231PL	2-1/8" deep box	30.3	(8) 3/4"	(3) 1/2", (2) 3/4"	25	—
239	2-1/8" deep box	30.3	(8) 1/2", (4) 3/4"	(3) 1/2", (2) 3/4"	25	
203PL	1-1/2" deep extension 4" sq. boxes	21	(8) 1/2", (4) 3/4"	—	50	—
762	Gasketed blank cover for 4" sq. boxes	—	—	—	50	
<b>4" Octagon Plenum Boxes and Covers</b>						
125PL	1-1/2" deep box	15.5	(4) 1/2"	(5) 1/2"	50	—
165PL	2-1/8" deep box	21.5	(2) 1/2", (2) 3/4"	(3) 1/2", (2) 3/4"	25	—
722PL	Gasketed blank cover for 4" octagon box	—	—	—	25	—
<b>4-11/16" Square Plenum Boxes and Covers</b>						
257PL	2-1/8" deep box	42	(8) 1/2", (4) 3/4"	(3) 1/2", (2) 3/4"	25	—
258PL	2-1/8" deep box	42	(8) 1"	(3) 1/2", (2) 3/4"	25	—
259PL*	2-1/8" deep box	42	(4) 1", (4) 1-1/4"	(3) 1/2", (2) 3/4"	25	—
264PL	2-1/8" deep box	42	(12) 3/4"	(3) 1/2", (2) 3/4"	25	—
265PL	2-1/8" deep box	42	(6) 3/4", (4) 1"	(3) 1/2", (2) 3/4"	25	—
250PL	1-1/2" deep extension 4-11/16" sq. box	30	(8) 1/2", (4) 3/4"	—	25	—
832PL	Gasketed blank cover for 4-11/16" sq. box	—	—	—	25	—

\* Not UL Rated

#### APPLICATIONS

- RACO® Plenum boxes are used in above-ceiling applications where air-tight enclosures are required

#### PRODUCT FEATURES

- To maintain plenum seal, RACO Plenum Boxes do not provide ground screw holes
- Cover gasket is PVC foam material
- Air-tight Knockouts

#### COMPLIANCE

- LISTED

SEE END OF SECTION (PG A78) FOR DETAILED DRAWINGS >>



## SQUARE BOXES AND COVERS

### 3-3/4" SQUARE BOXES – WELDED WITH CONDUIT KO'S



256



911-2



255



911-1

#### APPLICATIONS

- RACO® Red boxes and covers allow inspector or building owner to immediately identify alarm/fire or life safety systems

#### PRODUCT FEATURES

- 3-3/4" opening in wall allows for margin of error when using a 4" square cover
- Accepts all 4" square covers and mudrings
- Red boxes, covers and extensions for dedicated life safety alarm circuits

#### COMPLIANCE

- LISTED

CAT. #	DESCRIPTION	CUBIC INCHES (CM <sup>3</sup> )	KNOCKOUTS		STD. PKG.	BAR CODE
			SIDES CONDUIT	BOTTOM CONDUIT		
<b>3-3/4" Square Large Capacity Boxes, 3-1/2" Deep – Welded with Conduit KO's</b>						
256		45.0 (737.4)	(12) 1/2"-3/4" Concentric	(4) 1/2"-3/4" Concentric	25	
911-2	Painted Red	45.0 (737.4)	(12) 1/2"-3/4" Concentric	(4) 1/2"-3/4" Concentric	25	—
<b>3-3/4" Square Large Capacity Bracketed Boxes, 3-1/2" Deep – Welded with Conduit KO's</b>						
255	FM Bracket	45.0 (737.4)	(10) 1/2"-3/4" Concentric	(4) 1/2"-3/4" Concentric	10	
911-1	FM Bracket, Painted Red	45.0 (737.4)	(10) 1/2"-3/4" Concentric	(4) 1/2"-3/4" Concentric	10	—

SEE END OF SECTION (PG A78) FOR DETAILED DRAWINGS >>





### 4" SQUARE BOXES – WELDED WITH ARMORED CABLE / METAL CLAD / FLEX CLAMPS



213, 8213



213HWP



224



218, 8218



229 BOX-LOC®

CAT. #	DESCRIPTION	CUBIC INCHES (CM <sup>3</sup> )	KNOCKOUTS			STD. PKG.	BAR CODE
			CABLE PRIOUTS	SIDES CONDUIT	BOTTOM CONDUIT		
<b>4" Square Box, 1-1/2" Deep – Welded with Armored Cable/Metal Clad/Flex Clamps</b>							
213	600V	21.0 (344.1)	4	(4) 1/2", (2) TKO	(1) 1/2"	50	—
8213	600V	21.0 (344.1)	4	(4) 1/2", (2) TKO	(1) 1/2"	50	
<b>4" Square Bracketed Box, 1-1/2" Deep – Welded with Armored Cable/Metal Clad/Flex Clamps</b>							
213HWP	600V, HM, UBS	21.0 (344.1)	4	(4) 1/2", (2) TKO	(1) 1/2"	20	—
224	600V, B, Flush	21.0 (344.1)	4	(2) 1/2", (1) TKO	(1) 1/2"	25	—
218	600V, FS, Flush	21.0 (344.1)	4	(2) 1/2", (1) TKO	(1) 1/2"	25	—
8218	600V, FS, Flush	21.0 (344.1)	4	(2) 1/2", (1) TKO	(1) 1/2"	25	
229	600V, BOX-LOC®, (MS) Flush, Provided with Far-side support (part #978)	21.0 (344.1)	4	(2) 1/2"	(1) 1/2"	25	

#### APPLICATIONS

- RACO® Boxes are installed in walls or ceilings for lighting fixtures, switches or receptacles
- Square boxes are used where multiple conductor runs are split into two or more directions to bring power to a number of electrical devices

#### PRODUCT FEATURES

- Reference the Box Selection section in the front of this catalog for complete description of bracket types and features
- BOX-LOC® (MS) Bracket Box is a snap to install. Place the bracket on the open side of the stud first. Slots in the bracket engage the lip of the stud and actually crimp it as you press the bracket on the stud, quickly locking it in place
- UBS Support - Welded to box, preset bend points to work with wall thickness 2-1/2" to 6"
- Combination screw heads provide for faster installation
- TKO® Knockouts offer greater flexibility with RACO patented combination 1/2" and 3/4" knockout

#### COMPLIANCE

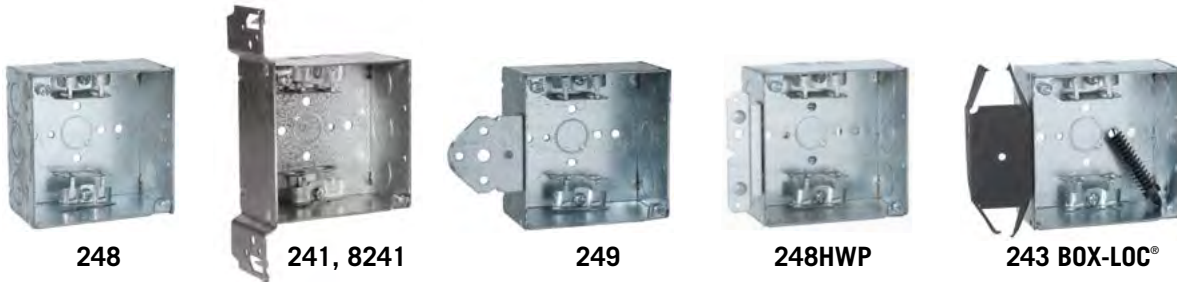
- LISTED
- All RACO UL listed steel boxes are acceptable for use in 2 hr. fire rated floor-ceiling and roof-ceiling assemblies, as well as 2 hr. fire rated bearing and non-bearing wood stud and steel stud walls. For additional information consult Fire Resistance Ratings ANSI/UL 263, Sec. III-6.
- 600V Per U.L. 514-A, suitable for use without a bonding jumper in circuits up to 600 volts

SEE END OF SECTION (PG A78) FOR DETAILED DRAWINGS >>



## SQUARE BOXES AND COVERS

### 4" SQUARE BOXES – WELDED WITH ARMORED CABLE / METAL CLAD / FLEX CLAMPS



#### APPLICATIONS

- RACO® Boxes are installed in walls or ceilings for lighting fixtures, switches or receptacles
- Square boxes are used where multiple conductor runs are split into two or more directions to bring power to a number of electrical devices

#### PRODUCT FEATURES

- Reference the Box Selection section in the front of this catalog for complete description of bracket types and features
- BOX-LOC® (MS) Bracket Box is a snap to install. Place the bracket on the open side of the stud first. Slots in the bracket engage the lip of the stud and actually crimp it as you press the bracket on the stud, quickly locking it in place
- Combination screw heads provide for faster installation
- TKO® knockouts offer greater flexibility with RACO patented combination 1/2" and 3/4" knockout

#### COMPLIANCE

- LISTED
- All RACO UL listed steel boxes are acceptable for use in 2 hr. fire rated floor-ceiling and roof-ceiling assemblies, as well as 2 hr. fire rated bearing and non-bearing wood stud and steel stud walls. For additional information consult Fire Resistance Ratings ANSI/UL 263, Sec. III-6.
- **600V** Per U.L. 514-A, suitable for use without a bonding jumper in circuits up to 600 volts

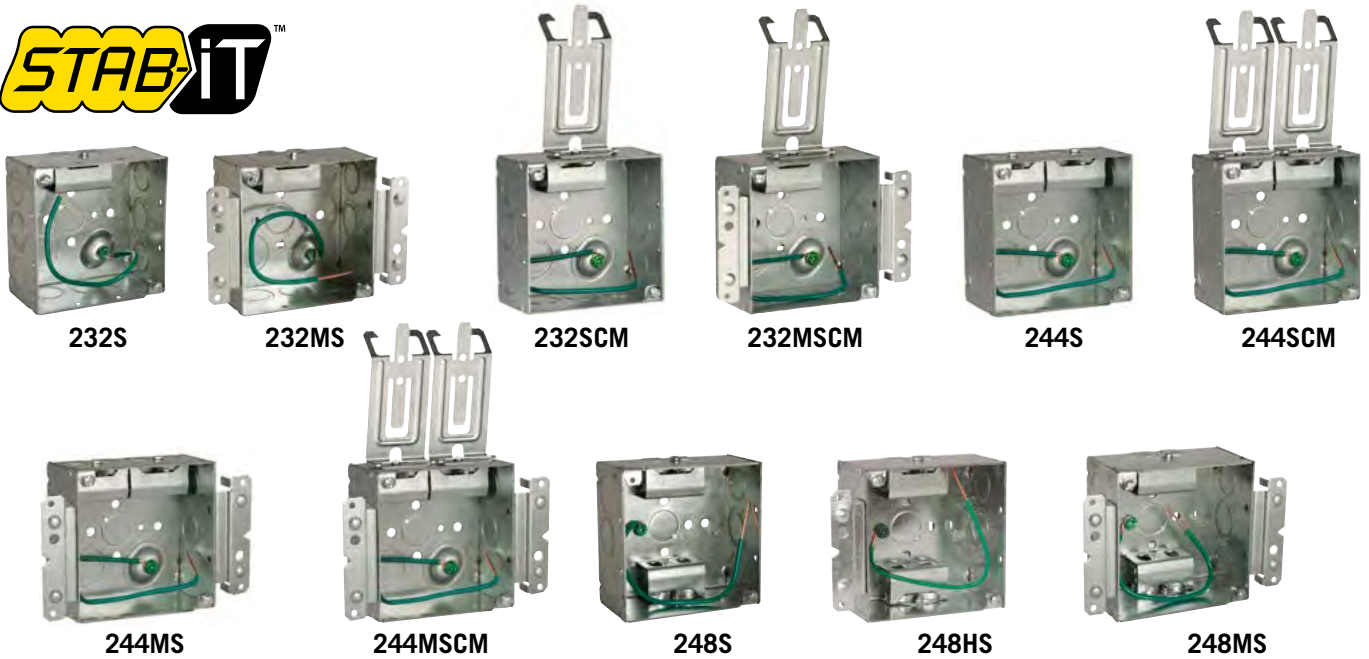
CAT. #	DESCRIPTION	CUBIC INCHES (CM <sup>3</sup> )	KNOCKOUTS			STD. PKG.	BAR CODE
			CABLE PRIOUTS	SIDES CONDUIT	BOTTOM CONDUIT		
<b>4" Square Box, 2-1/8" Deep – Welded with Armored Cable/Metal Clad/Flex Clamps</b>							
248	<b>600V</b>	30.3 (496.5)	4	(4) 1/2", (2) TKO	(1) 1/2"	25	
<b>4" Square Bracketed Box, 2-1/8" Deep – Welded with Armored Cable/Metal Clad/Flex Clamps</b>							
241	<b>600V</b> , TS, Flush	30.3 (496.5)	4	(2) 1/2", (1) TKO	(1) 1/2"	25	—
8241	<b>600V</b> , TS, Flush	30.3 (496.5)	4	(2) 1/2", (1) TKO	(1) 1/2"	25	
249	<b>600V</b> , B, Flush	30.3 (496.5)	4	(2) 1/2", (1) TKO	(1) 1/2"	25	—
248HWP	<b>600V</b> , HM Bracket, UBS	30.3 (496.5)	4	(2) 1/2", (1) TKO	(1) 1/2"	25	
243	<b>600V</b> , BOX-LOC®, (MS) Flush, Provided w/Far-side support (part #978)	30.3 (496.5)	4	(2) 1/2", (1) TKO	(1) 1/2"	25	

SEE END OF SECTION (PG A78) FOR DETAILED DRAWINGS >>





### 4" SQUARE STAB-IT® BOXES – WELDED WITH ARMORED CABLE / METAL CLAD / FLEX CLAMPS



#### APPLICATION

- For any job where flexible armored cable is being used.

#### PRODUCT FEATURES

- Designed for quick installation of flex, MC, MCI, MCI-A, AC, and HCF Cable. Refer to STAB-iT chart on page A-7
- Accepts cable sizes from 14/2 up to 10/3 for most cable types

- Each STAB-iT connector accommodates two cables
- Pre-installed 8" solid #12 pigtail for faster installation

#### COMPLIANCE

- LISTED

- All RACO UL listed steel boxes are acceptable for use in 2 hr. fire rated floor-ceiling and roof-ceiling assemblies, as well as 2 hr. fire rated bearing and non-bearing wood stud and steel stud walls. For additional information consult Fire Resistance Ratings ANSI/UL 263, Sec. III-6

CAT. #	DESCRIPTION	CUBIC INCHES (CM <sup>3</sup> )	KNOCKOUTS			STD. PKG.	BAR CODE
			CABLE PRIORTS	SIDES CONDUIT	BOTTOM CONDUIT		
<b>4" Square Stab-iT Box, 2-1/8" Deep – Welded with Armored Cable/Metal Clad/Flex Clamps</b>							
232S	(1) STAB-IT Connector, w/ Pigtail	30.3 (496.5)	2	(6) 1/2", (3) 1/2"-3/4" TKO	(1) 1/2", (1) 1/2"-3/4" TKO	25	
232MS	(1) STAB-IT Connector, M Bracket for Pre-fab, w/ Pigtail	30.3 (496.5)	2	(6) 1/2", (3) 1/2"-3/4" TKO	(1) 1/2", (1) 1/2"-3/4" TKO	25	
232SCM	(1) STAB-IT Connector, w/Pigtail & Cable Management Clip	30.3 (496.5)	2	(6) 1/2", (3) 1/2"-3/4" TKO	(1) 1/2", (1) 1/2"-3/4" TKO	25	
232MSCM	(1) STAB-IT Connector, M Bracket, w/Pigtail & Cable Management Clip	30.3 (496.5)	2	(6) 1/2", (3) 1/2"-3/4" TKO	(1) 1/2", (1) 1/2"-3/4" TKO	25	
244S	(2) STAB-IT Connectors on top, w/Pigtail	30.3 (496.5)	4	(6) 1/2", (3) 1/2"-3/4" TKO	(1) 1/2", (1) 1/2"-3/4" TKO	25	
244SCM	(2) STAB-IT Connectors on top, w/Pigtail & (2) Cable Management Clips	30.3 (496.5)	4	(6) 1/2", (3) 1/2"-3/4" TKO	(1) 1/2", (1) 1/2"-3/4" TKO	25	
244MS	(2) STAB-IT Connectors, Connectors on top, M Bracket, w/Pigtail	30.3 (496.5)	4	(6) 1/2", (3) 1/2"-3/4" TKO	(1) 1/2", (1) 1/2"-3/4" TKO	25	
244MSCM	(2) STAB-IT Connectors on top, M Bracket, w/Pigtail & (2) Cable Management Clips	30.3 (496.5)	4	(6) 1/2", (3) 1/2"-3/4" TKO	(1) 1/2", (1) 1/2"-3/4" TKO	25	
248S	(2) STAB-IT Connectors, w/ Pigtail	30.3 (496.5)	4	(4) 1/2", (2) 1/2"-3/4" TKO	(1) 1/2", (1) 1/2"-3/4" TKO	25	
248HS	(2) STAB-IT Connectors, H Bracket, w/Pigtail	30.3 (496.5)	4	(4) 1/2", (2) 1/2"-3/4" TKO	(1) 1/2", (1) 1/2"-3/4" TKO	25	
248MS	(2) STAB-IT Connectors, M Bracket for Pre-fab, w/ Pigtail	30.3 (496.5)	4	(4) 1/2", (2) 1/2"-3/4" TKO	(1) 1/2", (1) 1/2"-3/4" TKO	25	

SEE END OF SECTION (PG A78) FOR DETAILED DRAWINGS >>



## SQUARE BOXES AND COVERS

### 4" SQUARE BOXES – WELDED WITH NONMETALLIC SHEATHED CABLE CLAMPS



#### APPLICATIONS

- RACO® Boxes are installed in walls or ceilings for lighting fixtures, switches or receptacles
- Square boxes are used where multiple conductor runs are split into two or more directions to bring power to a number of electrical devices

#### PRODUCT FEATURES

- Reference the Box Selection section in the front of this catalog for complete description of bracket types and features
- BOX-LOC® (MS) Bracket Box is a snap to install. Place the bracket on the open side of the stud first. Slots in the bracket engage the lip of the stud and actually crimp it as you press the bracket on the stud, quickly locking it in place
- Combination screw heads provide for faster installation
- TKO® knockouts offer greater flexibility with RACO patented combination 1/2" and 3/4" knockout

CAT. #	DESCRIPTION	CUBIC INCHES (CM <sup>3</sup> )	KNOCKOUTS			STD. PKG.	BAR CODE
			CABLE PRIOUTS	SIDES CONDUIT	BOTTOM CONDUIT		
<b>4" Square Box, 1-1/2" Deep – Welded with Nonmetallic Sheathed Cable Clamps</b>							
211	600V	21.0 (344.1)	4	(4) 1/2", (2) TKO	(1) 1/2"	50	—
8211	600V	21.0 (344.1)	4	(4) 1/2", (2) TKO	(1) 1/2"	50	
223	600V, FS, Flush	21.0 (344.1)	4	(2) 1/2", (1) TKO	(1) 1/2"	25	
225	600V, B, Flush	21.0 (344.1)	4	(2) 1/2", (1) TKO	(1) 1/2"	25	—
228	600V, BOX-LOC®, (MS) Flush, Provided w/Far-side support (part #978)	21.0 (344.1)	4	(2) 1/2" (1) TKO	(1) 1/2"	25	
<b>4" Square Box, 2-1/8" Deep – Welded with Nonmetallic Sheathed Cable Clamps</b>							
242	600V	30.3 (496.5)	4	(4) 1/2", (2) TKO	(1) 1/2"	25	—
240	600V, TS, Flush	30.3 (496.5)	4	(2) 1/2", (1) TKO	(1) 1/2"	25	—
8240	600V, TS, Flush	30.3 (496.5)	4	(2) 1/2", (1) TKO	(1) 1/2"	25	

#### COMPLIANCE

- LISTED
- All RACO UL listed steel boxes are acceptable for use in 2 hr. fire rated floor-ceiling and roof-ceiling assemblies, as well as 2 hr. fire rated bearing and non-bearing wood stud and steel stud walls. For additional information consult Fire Resistance Ratings ANSI/UL 263, Sec. III-6.
- 600V Per U.L. 514-A, suitable for use without a bonding jumper in circuits up to 600 volts

SEE END OF SECTION (PG A78) FOR DETAILED DRAWINGS >>

### 4" SQUARE COVERS



752, 8752,  
8752-5



753, 8753,  
8753-5



754



911-8



787



774, 775, 8775  
782



771, 8771, 772, 8772  
773, 8773, 768, 8768



785, 786

CATALOG #	DESCRIPTION	CUBIC INCHES (CM <sup>3</sup> )	STD. PKG.	BAR CODE
<b>4" Square Flat Covers</b>				
752	Flat, Blank	—	50	—
8752	Flat, Blank	—	50	
8752-5*	Flat, Blank	—	50	
753	Flat, 1/2" KO in Center	—	50	—
8753	Flat, 1/2" KO in Center	—	50	
8753-5*	Flat, 1/2" KO in Center	—	50	
754	Flat, 3/4" KO in Center	—	50	—
911-8	Flat, Blank, <b>Painted Red</b>	—	50	
<b>4" Square Single Device Covers</b>				
787	Flat	—	25	
771	Raised 1/4"	1.5 (24.6)	100	—
8771	Raised 1/4"	1.5 (24.6)	25	
782	Raised 1/2" Tile	3.5 (57.3)	25	
772	Raised 1/2" Drawn	3.5 (57.3)	100	—
8772	Raised 1/2" Drawn	3.5 (57.3)	50	
768	Raised 5/8"	4.5 (73.7)	50	—
8768	Raised 5/8"	4.5 (73.7)	25	
773	Raised 3/4"	5.5 (90.1)	50	—
8773	Raised 3/4"	5.5 (90.1)	25	
774	Raised 1"	7.5 (122.9)	25	
775	Raised 1-1/4"	9.5 (115.6)	25	—
8775	Raised 1-1/4"	9.5 (115.6)	25	
785	Raised 1-1/2"	11.3 (185.2)	25	—
786	Raised 2"	14.5 (237.6)	25	—

#### APPLICATIONS

- RACO® covers are used to close an outlet box
- Raised device covers are used for mounting switches or receptacles

#### PRODUCT FEATURES

- Angled mounting slots compensate up to 12° for box misalignment
- Red boxes, covers and extensions for dedicated life safety alarm circuits

#### COMPLIANCE

- LISTED

\*5 Bundles of 10 – sold in carton quantities only

## SQUARE BOXES AND COVERS

### 4" SQUARE COVERS



791



777, 8777-0



778, 8778



769, 8769



779, 8779



780



781, 8781



795, 796

#### APPLICATIONS

- Raised device covers are used for mounting switches or receptacles
- Low voltage partitions may be added to conduit-type boxes to divide power from voice/data

#### PRODUCT FEATURES

- Angled mounting slots compensate up to 12° for box misalignment

#### COMPLIANCE

- LISTED

CATALOG #	DESCRIPTION	CUBIC INCHES (CM <sup>3</sup> )	STD. PKG.	BAR CODE
<b>4" Square Two Device and Tile Covers</b>				
791	Flat	—	25	
777	Raised, 1/4", Drawn	3.0 (49.2)	50	—
8777-0	Raised, 1/4", Drawn	3.0 (49.2)	10	
778	Raised, 1/2", Drawn	5.5 (90.1)	50	—
8778	Raised, 1/2", Drawn	5.5 (90.1)	25	
769	Raised, 5/8", Drawn	7.3 (119.6)	50	—
8769	Raised, 5/8", Drawn	7.3 (119.6)	25	
779	Raised, 3/4", Drawn	8.8 (144.2)	50	—
8779	Raised, 3/4", Drawn	8.8 (144.2)	25	
780	Raised, 1", Drawn	12.0 (196.6)	25	
781	Raised, 1-1/4", Drawn	15.0 (245.8)	25	—
8781	Raised, 1-1/4", Drawn	15.0 (245.8)	25	
795	Raised, 1-1/2", Welded	15.5 (253.9)	25	—
796	Raised, 2", Welded	20.5 (335.9)	25	—

ADJUSTABLE MUD RINGS



768AMR



769AMR

CATALOG #	DESCRIPTION	STD. PKG.	BAR CODE
<b>Adjustable Mud Rings</b>			
768AMR	1-gang Adjustable Mud Ring for 4" sq. boxes	25	
769AMR	2-gang Adjustable Mud Ring for 4" sq. boxes	25	

**APPLICATIONS**

- Maintain code-compliant installations in hospitals, health care and multi-family applications. Great for use with ceramic tile

**PRODUCT FEATURES**

- 1/2" to 1-3/8" adjustability range
- Depth adjusted by 2 screws located on opposite sides
- Adjustment screws are clearly visible and accessible even after device is installed
- All screws are inside of ring eliminating damage from router
- Design allows 2-gang cover to be installed without removing box screws
- For use with 2-1/8" deep boxes only

**COMPLIANCE**

- LISTED

## SQUARE BOXES AND COVERS

### STUD MOUNT MUD RINGS



772B



768B



773B



778B



769B



779B

#### APPLICATIONS

- RACO Stud-Mount Mud Rings provide secure support for 4" square boxes and feature a built-in mud ring.

#### PRODUCT FEATURES

- Rigid bracket design eliminates the need for far-side support
- Ability to eliminate electrical boxes in low-voltage installations
- Can be installed from both sides of steel studs
- Positive Posting Tabs ensure consistent alignment on stud
- Center window for accurate positioning
- Works with all box depths and stud sizes with no adjustment required
- Mounts quickly and easily to face of stud

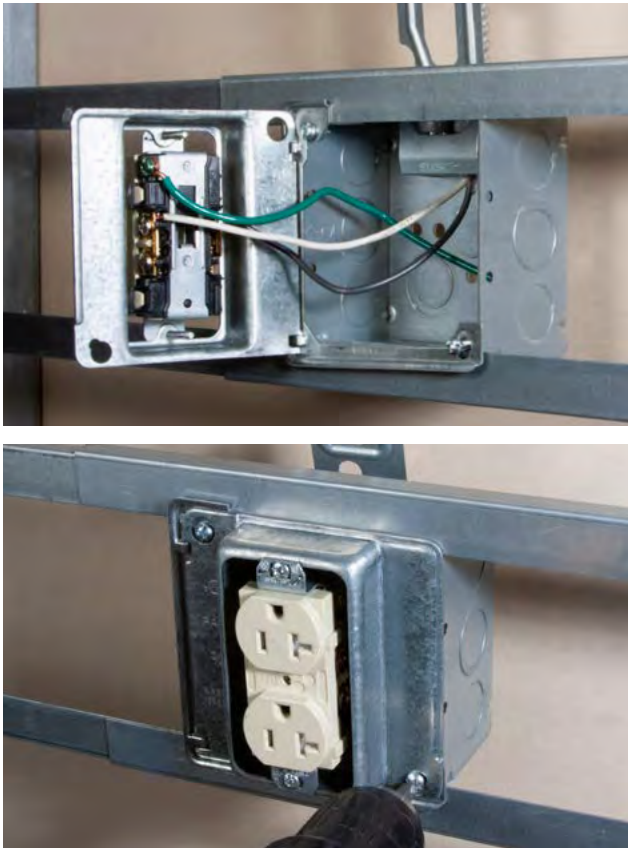
#### COMPLIANCE

- LISTED

CATALOG #	DESCRIPTION	WT. LBS. PER 100	CUBIC INCHES	STD. PKG.	BAR CODE
<b>4" Stud Mount Mud Rings</b>					
772B	One Device Raised 1/2"	42	3.5	25	
768B	One Device Raised 5/8"	44	4.5	25	
773B	One Device Raised 3/4"	47	5.5	25	
778B	Two Device Raised 1/2"	37	5.5	20	
769B	Two Device Raised 5/8"	40	7.3	20	
779B	Two Device Raised 3/4"	42	8.8	20	



HINGED MUD RINGS



CATALOG #	DESCRIPTION	STD. PKG.	BAR CODE
<b>Hinged Mud Rings for 4" Square Boxes</b>			
772H	1-Gang Hinged Mud Ring 1/2" raised	25	
768H	1-Gang Hinged Mud Ring 5/8" raised	25	
773H	1-Gang Hinged Mud Ring 3/4" raised	25	
778H	2-Gang Hinged Mud Ring 1/2" raised	25	
769H	2-Gang Hinged Mud Ring 5/8" raised	25	
779H	2-Gang Hinged Mud Ring 3/4" raised	25	

**APPLICATIONS**

- Perfect for boxes mounted behind drywall or ceramic tile in commercial or residential applications

**PRODUCT FEATURES**

- Unique design allows for mud ring to be opened in the field
- Hinged design allows for easy and quick access to install conduit connectors and wiring
- Accepts all standard devices
- 2-gang versions accept low voltage partitions

**COMPLIANCE**

- LISTED

## SQUARE BOXES AND COVERS

### 4" SQUARE PARTITIONS



706RAC, 707RAC

708, 709

#### APPLICATIONS

- Low voltage partitions may be added to conduit-type boxes to divide power from voice/data
- Must be used with raised covers

#### PRODUCT FEATURES

- Partition divides 4" square boxes into two compartments
- Use with two-device covers which have a slot for the partition
- Partition is scored so it can be broken at the proper depth of box and cover combination
- Helpful hint: Assemble the box with the partition in place before breaking off at the scored tab. This will prevent you from breaking off more tab than needed

CAT. #	DESCRIPTION	STD. PKG.	BAR CODE
<b>Low Voltage Partitions for 1-1/2" Depth Boxes and 2-Device Covers</b>			
706RAC	Fits 1/4", 1/2", 3/4" or 1" Cover Depth (#777, 778, 8778, 779, 8779, 780)	25	—
708	Fits 1-1/4", 1-1/2" or 2" Cover Depth (#781, 8781, 795, 796)	25	—
<b>Low Voltage Partitions* for 2-1/8" Depth Boxes and 2-Device Covers</b>			
707RAC	Fits 1/4", 1/2", 3/4" or 1" Cover Depth (#777, 778, 8778, 779, 8779, 780)	25	—
709	Fits 1-1/4", 1-1/2" or 2" Cover Depth (#781, 8781, 795, 796)	25	—

*Boxes, covers, and partitions must be ordered separately.  
For 1-1/2" and 2-1/8" deep boxes with 5/8" cover, partition not available.  
Partitions are usable but not UL listed for 4-11/16" sq. box.*

### 4" SQUARE FIXTURE COVERS



756-759, 767,  
8756, 8767

897KH

#### APPLICATIONS

- Raised fixture covers are used where fixtures will be installed

#### PRODUCT FEATURES

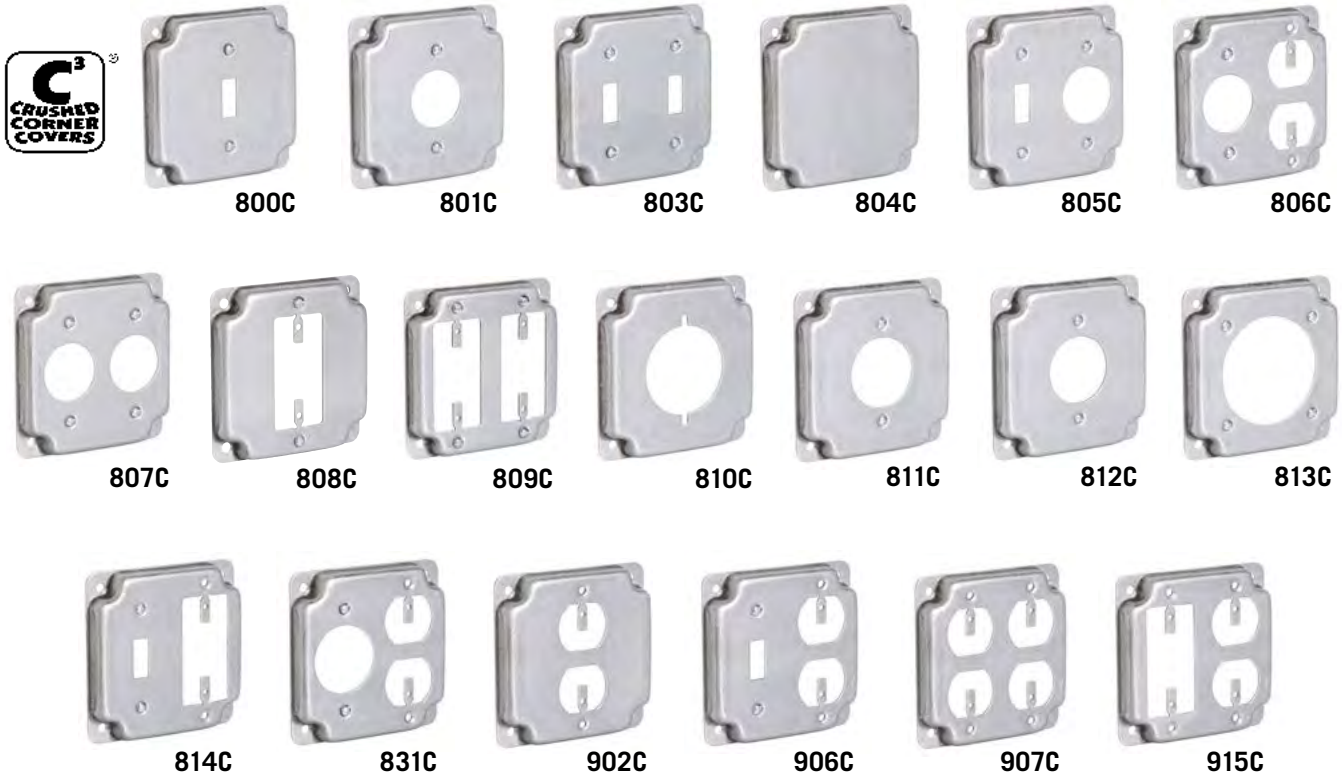
- Angled mounting slots compensate up to 12° for box misalignment
- Swivel covers restricted to 20° swing from vertical
- KWIK-HANG® 897KH allows easy installation of high bay lighting fixtures. Fixture rests in position while wiring is completed

#### COMPLIANCE

- LISTED

CAT. #	DESCRIPTION	CUBIC INCHES (CM <sup>3</sup> )	RECOMMENDED MAX. LOADS		STD. PKG.	BAR CODE
			CEILING FAN (DYNAMIC) LBS.	FIXTURE (STATIC) LBS.		
<b>4" Square Fixture Covers</b>						
767	Raised, 1/2" Open, Ears 2-3/4" O.C.	3.0 (49.2)	No	50	25	—
8767	Raised, 1/2" Open, Ears 2-3/4" O.C.	3.0 (49.2)	No	50	25	
756	Raised, 5/8" Open, Ears 2-3/4" O.C.	4.0 (65.5)	No	50	100	—
8756	Raised, 5/8" Open, Ears 2-3/4" O.C.	4.0 (65.5)	No	50	25	
759	Raised, 3/4" Open, Ears 2-3/4" O.C.	5.0 (81.9)	No	50	25	
757	Raised, 1" Open, Ears 2-3/4" O.C.	6.8 (111.4)	No	50	25	
758	Raised, 1-1/4" Open, Ears 2-3/4" O.C.	8.5 (139.3)	No	50	25	—
<b>4" Square Swivel Fixture Covers</b>						
897KH	KWIK-HANG® for 4" Sq. Boxes, 1/2" or 3/4" Pipe	—	No	50	25	

### 4" SQUARE EXPOSED WORK COVERS



CATALOG #	DESCRIPTION	CUBIC IN. (CM <sup>3</sup> )	STD. PKG.	BAR CODE
<b>4" Square, Crushed Corner Covers – Raised 1/2"</b>				
800C	1 Toggle Switch	6.5 (106.5)	10	
801C	1 Receptacle 1.406" Dia.	6.5 (106.5)	10	
803C	2 Toggle Switches	6.5 (106.5)	10	
804C	Blank, No Holes	6.5 (106.5)	10	
805C	1 Toggle Switch and 1 Receptacle 1.406" Dia.	6.5 (106.5)	10	
806C	1 Duplex and 1 Receptacle 1.406" Dia.	6.5 (106.5)	10	
807C	2 Receptacles 1.406" Dia.	6.5 (106.5)	10	
808C	1 GFCI	6.5 (106.5)	10	
809C	2 GFCI	6.5 (106.5)	10	
810C	30A-50A Receptacle 2.141" Dia.	6.5 (106.5)	10	
811C	30A Locking 1.719" Dia.	6.5 (106.5)	10	
812C	20A Receptacle 1.620" Dia.	6.5 (106.5)	10	
813C	30-60A Receptacle 2.625" Dia.	6.5 (106.5)	10	
814C	1 GFCI and 1 Toggle Switch	6.5 (106.5)	10	
831C	1 Duplex, 1 20A, 1.620" Dia.	6.5 (106.5)	10	
902C	1 Duplex Receptacle	6.5 (106.5)	10	
906C	1 Duplex Receptacle and 1 Toggle Switch	6.5 (106.5)	10	
907C	2 Duplex Receptacles	6.5 (106.5)	10	
915C	1 GFCI and 1 Duplex Receptacle	6.5 (106.5)	10	

#### APPLICATIONS

- RACO® surface covers are used to support switches or receptacles in areas where the box is surface mounted or positioned in exposed work applications

#### PRODUCT FEATURES

- RACO® exposed work covers include driven screws and break-off lock nuts
- RACO® Exposed work covers meet the requirements of the 2020 NEC Article 250.146 (A). No bonding jumper is required for covers with:
  - (1) Crushed corners
  - (2) Two or more device attachment fasteners that are permanent with thread-locking, screws, or nut-locking means
  - (3) Insulating retaining washer removed for at least one device attachment screw
- Hardware and cover are packed with printed catalog number, compliances and installation instructions

#### COMPLIANCE

- cUL<sup>us</sup> LISTED

## SQUARE BOXES AND COVERS

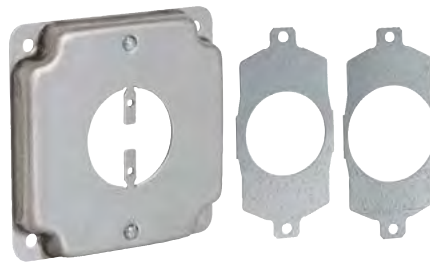
### 4" SQUARE EXPOSED WORK COVERS



808U



809U



811U

#### APPLICATIONS

- RACO® surface covers are used to support switches or receptacles in areas where the box is surface mounted or positioned in exposed work applications

#### PRODUCT FEATURES

- RACO® exposed work covers include driven screws and break-off lock nuts
- RACO® Exposed work covers meet the requirements of the 2020 NEC Article 250.146 (A). No bonding jumper is required for covers with:
  - (1) Crushed corners
  - (2) Two or more device attachment fasteners that are permanent with thread-locking, screws, or nut-locking means
  - (3) Insulating retaining washer removed for at least one device attachment screw
- Hardware and cover are packed in a poly-bag with printed catalog number, compliances and installation instructions

#### COMPLIANCE

- LISTED

CATALOG #	DESCRIPTION	CUBIC IN. (CM <sup>3</sup> )	STD. PKG.	BAR CODE
<b>4" Square Universal Crushed Corner Covers – Raised 1/2"</b>				
808U	Universal for 1 Device: 1 GFCI, 1 Duplex or 1 Toggle (Insert Plates)	6.5 (106.5)	10	
809U	Universal for 2 Device: 2 GFCI, 2 Duplex or 2 Toggle (Insert Plates)	6.5 (106.5)	10	
811U	Universal for 1 Round Device: 1.406" Dia Hole, 1.620" Dia Hole, 1.719" Dia Hole (Insert Plates)	6.5 (106.5)	10	



### 4-11/16" SQUARE BOXES AND EXTENSION RINGS – DRAWN WITH CONDUIT KO'S



245



246



247



250



262

CAT. #	DESCRIPTION	CUBIC INCHES (CM <sup>3</sup> )	KNOCKOUTS		STD. PKG.	BAR CODE
			SIDES CONDUIT	BOTTOM CONDUIT		
<b>4-11/16" Square Boxes, 1-1/2" Deep – Drawn with Conduit KO's</b>						
245	—	29.5 (483.4)	(12) 1/2"	(3) 1/2", (2) 3/4"	25	—
246	—	29.5 (483.4)	(10) 3/4"	(3) 1/2", (2) 3/4"	25	—
247	—	29.5 (483.4)	(8) 1/2", (4) 3/4"	(3) 1/2", (2) 3/4"	25	—
<b>4-11/16" Square Extension Rings – Drawn with Conduit KO's</b>						
250	1-1/2" Depth	29.5 (483.4)	(8) 1/2", (4) 3/4"	—	25	—
262	2-1/8" Depth	43.0 (704.6)	(8) 1/2", (4) 3/4"	—	25	

#### APPLICATIONS

- RACO® 4-11/16" Boxes are used for a wide variety of industrial applications where larger sized conductors or wiring devices are needed and more volume is required
- Drawn boxes are ideal for exposed work applications (surface mounted wiring)
- RACO® Extension rings provide a means for adding cubic capacity or as an outlet box for surface conduit

#### PRODUCT FEATURES

- Combination screw heads provide for faster installation

#### COMPLIANCE

- LISTED

## SQUARE BOXES AND COVERS

### 4-11/16" SQUARE BOXES

# STAB-IT® II



252S



252MS



252SCM



252MSCM



254S



254SCM

#### APPLICATION

- For any job where flexible armored cable is being used
- Ideal for pre-fab

#### PRODUCT FEATURES

- Refer to chart on A7
- Accepts cable sizes from 14/2 up to 10/3 for most cable types
- 3 times faster than traditional connectors
- Each STAB-iT connector accommodates three cables

- Available with built-in cable management clip, offering first means of support
- Available with "M" style brackets for stud mounting
- Pre-installed 8" solid #12 pigtail for faster
- Suitable for use without a bonding jumper in circuits up to 600 volts
- Improved design allows each cable to easily be removed, allows connector to be reused

#### COMPLIANCE

- LISTED



252MS and 252MSCM feature RACO's far-side support

CAT. #	DESCRIPTION	CUBIC INCHES (CM <sup>3</sup> )	KNOCKOUTS			STD. PKG.	BAR CODE
			CABLE PRIORITS	SIDES CONDUIT	BOTTOM CONDUIT		
<b>4-11/16" Square Stab-iT Box, 2-1/8" Deep – Welded with Armored Cable/Metal Clad/Flex Clamps</b>							
252S	(1) STAB-IT II Connector, w/ pigtail	30.3 (496.5)	2	(6) 1/2", (3) 1/2"-3/4" TKO	(1) 1/2", (1) 1/2"-3/4" TKO	25	IIIIIIII
252MS	(1) STAB-IT II Connector, M Bracket for Pre-fab, w/ pigtail	30.3 (496.5)	2	(6) 1/2", (3) 1/2"-3/4" TKO	(1) 1/2", (1) 1/2"-3/4" TKO	25	IIIIIIII
252SCM	(1) STAB-IT II Connector, w/pigtail & Cable Management Clip	30.3 (496.5)	2	(6) 1/2", (3) 1/2"-3/4" TKO	(1) 1/2", (1) 1/2"-3/4" TKO	25	IIIIIIII
252MSCM	(1) STAB-IT II Connector, M Bracket, w/pigtail & Cable Management Clip	30.3 (496.5)	2	(6) 1/2", (3) 1/2"-3/4" TKO	(1) 1/2", (1) 1/2"-3/4" TKO	25	IIIIIIII
254S	(2) STAB-IT II Connectors on top, w/pigtail	30.3 (496.5)	4	(6) 1/2", (3) 1/2"-3/4" TKO	(1) 1/2", (1) 1/2"-3/4" TKO	25	IIIIIIII
254SCM	(2) STAB-IT II Connectors on top, w/pigtail & (2) Cable Management Clips	30.3 (496.5)	4	(6) 1/2", (3) 1/2"-3/4" TKO	(1) 1/2", (1) 1/2"-3/4" TKO	25	IIIIIIII

SEE END OF SECTION (PG A79) FOR DETAILED DRAWINGS >>



### 4-11/16" SQUARE BOXES – WELDED WITH CONDUIT KO'S



257, 8257,  
8257SP



258



259



265, 8265,  
8265SP



911-12



257SM



258SM



257F



257HWP



257H, 257HS



257M



254



266 BOX-LOC®

CAT. #	DESCRIPTION	CUBIC INCHES (CM <sup>3</sup> )	KNOCKOUTS		STD. PKG.	BAR CODE
			SIDES CONDUIT	BOTTOM CONDUIT		
<b>4-11/16" Square Boxes, 2-1/8" Deep – Welded with Conduit KO's</b>						
257	600V, Raised Ground	42.0 (688.2)	(12) TKO	(1) 1/2", (3) TKO	25	—
8257	600V, Raised Ground	42.0 (688.2)	(12) TKO	(1) 1/2", (3) TKO	25	
8257SP	600V, Raised Ground	42.0 (688.2)	(12) TKO	(1) 1/2", (3) TKO	20	
258	600V, Raised Ground	42.0 (688.2)	(8) 1"	(1) 1/2", (3) TKO	25	—
259*	600V, Raised Ground	42.0 (688.2)	(6) 1-1/4"	(1) 1/2", (3) TKO	25	—
265	600V, Raised Ground	42.0 (688.2)	(4) 3/4", (4) 1"	(1) 1/2", (3) TKO	25	—
8265	600V, Raised Ground	42.0 (688.2)	(4) 3/4", (4) 1"	(1) 1/2", (3) TKO	25	
8265SP	600V, Raised Ground	42.0 (688.2)	(4) 3/4", (4) 1"	(1) 1/2", (3) TKO	20	
911-12	600V, Raised Ground, Painted Red	42.0 (688.2)	(12) TKO	(1) 1/2", (3) TKO	25	—
257SM	600V, Raised Ground, 10" #12 Stranded Copper Pigtail	42.0 (688.2)	(12) TKO	(1) 1/2" (3) TKO	25	
258SM	600V, Raised Ground, 10" #12 Stranded Copper Pigtail	42.0 (688.2)	(8) 1"	(1) 1/2" (3) TKO	25	
257F	600V, Raised Ground, 8" #12 Solid Copper Pigtail, UBS	42.0 (688.2)	(12) TKO	(1) 1/2" (3) TKO	20	—
<b>4-11/16" Square Bracketed Boxes, 2-1/8" Deep – Welded with Conduit KO's</b>						
257H	600V, Raised Ground, 8" #12 Solid Copper Pigtail, UBS, HM	42.0 (688.2)	(12) TKO	(1) 1/2" (3) TKO	20	—
257HS	600V, Raised Ground, 10" #12 Stranded Copper Pigtail, UBS, HM	42.0 (688.2)	(12) TKO	(1) 1/2" (3) TKO	20	—
257HWP	Raised Ground, UBS, HM	42.0 (688.2)	(12) TKO	(1) 1/2", (3) TKO	20	—
257M	600V, Raised Ground, 8" #12 Solid Copper Pigtail, UBS, HM	42.0 (688.2)	(12) TKO	(1) 1/2" (3) TKO	20	—
254	600V, Raised Ground, FM	42.0 (688.2)	(9) TKO	(1) 1/2", (3) TKO	25	
266	600V, Raised Ground, BOX-LOC®, MS Flush, Provided w/Far-side support (part #978)	42.0 (688.2)	(9) TKO	(1) 1/2" (3) TKO	25	

\* Not UL Rated

### APPLICATIONS

- RACO® 4-11/16" Boxes are used for a wide variety of industrial applications where larger sized conductors or wiring devices are needed and more volume is required

### PRODUCT FEATURES

- Reference the Box Selection section in the front of this catalog for complete description of bracket types and features
- BOX-LOC® (MS) Bracket Box is a snap to install. Place the bracket on the open side of the stud first. Slots in the bracket engage the lip of the stud and actually crimp it as you press the bracket on the stud, quickly locking it in place
- Combination screw heads provide for faster installation
- TKO® knockouts allow for design and installation flexibility
- UBS Support - Welded to box, preset bend points to work with wall thickness 2-1/2" to 6"
- Red boxes, covers and extensions for dedicated life safety alarm circuits

### COMPLIANCE

- LISTED
- 600V Per U.L. 514-A, suitable for use without a bonding jumper in circuits up to 600 volts

SEE END OF SECTION (PG A79) FOR DETAILED DRAWINGS >>

## SQUARE BOXES AND COVERS

### 4-11/16" ADJUSTABLE MUD RINGS

#### APPLICATIONS

- Maintain code-compliant installations in hospitals, health care and multi-family applications. Great for use with ceramic tile

#### PRODUCT FEATURES

- 1/2" to 1-3/8" adjustability range
- Depth adjusted by 2 screws located on opposite sides
- Adjustment screws are clearly visible and accessible even after device is installed
- All screws are inside of ring eliminating damage from router
- Design allows 2-gang cover to be installed without removing box screws
- For use with 2-1/8" deep boxes

#### COMPLIANCE

- LISTED



868AMR



869AMR

CATALOG #	DESCRIPTION	STD. PKG.	BAR CODE
<b>Adjustable Mud Rings</b>			
868AMR	1-gang Adjustable Mud Ring for 4-11/16" sq. boxes	25	IIIIIIII
869AMR	2-gang Adjustable Mud Ring for 4-11/16" sq. boxes	25	IIIIIIII

### 4-11/16" SQUARE COVERS



832, 832SP



833, 8833-5



911-11



837, 8837



843



838



839



842



898



899

#### APPLICATIONS

- Covers are used to close an outlet box
- Raised device covers are used for mounting switches or receptacles

#### PRODUCT FEATURES

- Red boxes, covers and extensions for dedicated life safety alarm circuits

#### COMPLIANCE

- LISTED

CAT. #	DESCRIPTION	STD. PKG.	BAR CODE	CAT. #	DESCRIPTION	CU. IN. (CM <sup>3</sup> )	STD. PKG.	BAR CODE
<b>4-11/16" Square Flat Covers</b>				<b>4-11/16" Square Single Device and Tile Covers</b>				
832	Flat, Blank	50	IIIIIIII	837	Raised 1/2"	3.5 (57.3)	25	—
832SP	Flat, Blank	25	IIIIIIII	8837	Raised 1/2"	3.5 (57.3)	25	IIIIIIII
833	Flat, 1/2" KO, Centered	50	IIIIIIII	843	Raised 5/8"	4.5 (73.7)	25	IIIIIIII
8833-5*	Flat, 1/2" KO, Centered	50	IIIIIIII	838	Raised 3/4"	5.5 (90.1)	25	—
911-11	Flat, Blank, Painted Red	50	—	839	Raised 1"	7.5 (122.9)	25	—
				842	Raised 1-1/4"	9.5 (155.6)	25	—
				898	Raised 1-1/2"	11.0 (180.2)	20	—
				899	Raised 2"	16.0 (262.2)	20	—

\*5 Bundles of 10 – sold in carton quantities only



### 4-11/16" SQUARE COVERS AND PARTITIONS



CATALOG #	DESCRIPTION	CUBIC IN. (CM <sup>3</sup> )	STD. PKG.	BAR CODE
<b>4-11/16" Square Two Device and Tile Covers</b>				
841	Raised 1/2"	5.5 (90.3)	25	
818	Raised 5/8"	7.3 (119.6)	25	—
840	Raised 3/4"	8.8 (144.2)	25	—
819	Raised 1"	12.0 (196.6)	25	—
820	Raised 1-1/4"	15.0 (245.8)	25	—
885	Raised 1-1/2"	15.5 (254.0)	20	—
855	Raised 5/8", For Life Safety Appliances & Emergency Exit Signs	8.3 (136.0)	25	—
859	Raised 1-1/4", For Life Safety Appliances & Emergency Exit Signs	16.0 (262.0)	12	—
911-16	Raised 5/8", For Life Safety Appliances & Emergency Exit Signs, Painted Red	8.3 (136.0)	25	—
911-17	Raised 1-1/4", For Life Safety Appliances & Emergency Exit Signs, Painted Red	16.0 (262.0)	12	—

CAT. #	DESCRIPTION	CUBIC INCHES (CM <sup>3</sup> )	RECOMMENDED MAX. LOADS		STD. PKG.	BAR CODE
			CEILING FAN (DYNAMIC) LBS.	FIXTURE (STATIC) LBS.		
<b>4-11/16" Square Fixture Covers</b>						
829	Raised 1/2", Open, Ears 2-3/4" O.C.	3.0 (49.6)	No	50	25	
835	Raised 5/8", Open, Ears 2-3/4" O.C.	4.0 (65.5)	No	50	25	—

CAT. #	DESCRIPTION	STD. PKG.	BAR CODE
<b>Low Voltage Partitions* for 1-1/2" Depth Boxes and 2-Device Covers</b>			
706RAC	Fits 1/4", 1/2", 3/4" or 1" Cover Depth (#777, 778, 8778, 779, 8779, 780)	25	—
708	Fits 1-1/4", 1-1/2" or 2" Cover Depth (#781, 8781, 795, 796)	25	—
<b>Low Voltage Partitions* for 2-1/8" Depth Boxes and 2-Device Covers</b>			
707RAC	Fits 1/4", 1/2", 3/4" or 1" Cover Depth (#777, 778, 8778, 779, 8779, 780)	25	—
709	Fits 1-1/4", 1-1/2" or 2" Cover Depth (#781, 8781, 795, 796)	25	—

\*Low voltage partitions are not UL Listed  
Boxes, covers, and partitions must be ordered separately.  
For 1-1/2" and 2-1/8" deep boxes with 5/8" cover, partition not available.  
Partitions are usable but not UL listed for 4-11/16" sq. box.

#### APPLICATIONS

- RACO® 4-11/16" raised device covers are for mounting switches or receptacles
- Raised fixture covers are used where fixtures will be installed
- Low voltage partitions may be added to conduit-type boxes to divide power from voice/data
- Partitions must be used with raised covers

#### PRODUCT FEATURES

- Red boxes, covers and extensions for dedicated life safety alarm circuits
- Partition divides 4" square boxes into two compartments
- Use partitions with two-device covers which have a slot for the partition
- Partition is scored so it can be broken at the proper depth of box and cover combination
- Helpful hint: Assemble the box with the partition in place before breaking off at the scored tab. This will prevent you from breaking off more tab than needed

#### COMPLIANCE

- LISTED

## SQUARE BOXES AND COVERS

### 4-11/16" SQUARE EXPOSED WORK COVERS



**856**



**857**



**858**



**870RAC**



**878**



**887**



**888**



**959**



**972**



**979**



**881RAC**



**876**

#### APPLICATIONS

- RACO® surface covers are used to support switches or receptacles in areas where the box is surface mounted or positioned in exposed work applications

#### PRODUCT FEATURES

- RACO® exposed work covers include required hardware for mounting the receptacle(s)
- RACO® Exposed work covers meet the requirements of the 2020 NEC Article 250.146 (A). No bonding jumper is required for covers with:
  - (1) Crushed corners
  - (2) Two or more device attachment fasteners that are permanent with thread-locking, screws, or nut-locking means
  - (3) A lockwasher or equivalent
- Hardware and cover are packed in a poly-bag with printed catalog number, compliances and installation instructions

#### COMPLIANCE

- LISTED

CATALOG #	DESCRIPTION	CUBIC IN. (CM <sup>3</sup> )	STD. PKG.	BAR CODE
<b>4-11/16" Exposed Work Covers</b>				
<b>856</b>	1 Decorator device or GFCI	10.3 (168.7)	10	
<b>857</b>	2 Decorator devices or GFCI	10.3 (168.7)	10	
<b>858</b>	1 Toggle Switch and 1 GFCI	10.3 (168.7)	10	
<b>870RAC</b>	1 Toggle Switch	10.3 (168.7)	10	
<b>878</b>	30-50A Receptacle 2.141" Dia.	10.3 (168.7)	10	
<b>887</b>	20A Receptacle 1.594" Dia.	10.3 (168.7)	10	
<b>888</b>	30-60A Receptacle 2.625" Dia.	10.3 (168.7)	10	
<b>959</b>	1 Duplex and 1 GFCI	10.3 (168.7)	10	
<b>972</b>	1 Duplex Receptacle	10.3 (168.7)	10	
<b>979</b>	2 Duplex Receptacles	10.3 (168.7)	10	
<b>881RAC</b>	2 Toggle Switches	10.3 (168.7)	10	
<b>876</b>	1 Toggle Switch and 1 Duplex Receptacle	10.3 (168.7)	10	



### LIFE SAFETY SUPPORT PRODUCTS - IMMEDIATE IDENTIFICATION



911-9



911-6



911-12



911-3



911-4



911-15



911-2



911-1

CAT. #	DESCRIPTION	CUBIC INCHES (CM <sup>3</sup> )	KNOCKOUTS		STD. PKG.	BAR CODE
			SIDES CONDUIT	BOTTOM CONDUIT		
<b>Life Safety Steel Wall Boxes and Extension Rings – Painted Red</b>						
911-9	1-1/2" Depth, Welded, 4" Square	21.0 (344.1)	(8) 1/2", (4) TKO	(2) 1/2", 2 TKO	50	—
911-6	1-1/2" Depth, 4" Square, Drawn Extension Ring	22.5 (368.7)	(8) 1/2", (4) 3/4"	—	50	—
911-12	2-1/8" Depth, Welded, 4-11/16" Square	42.0 (688.2)	(12) TKO	(1) 1/2", (3) TKO	25	—
911-3	2-1/8" Depth, Welded, 4" Square	30.3 (496.5)	(8) 1/2", (4) TKO	(3) 1/2", 2 TKO	25	—
911-4	2-1/8" Depth, Welded, 4" Square, FM Bracket	30.3 (496.5)	(6) 1/2", (3) TKO	(3) 1/2", 2 TKO	25	—
911-15	3-1/4" Depth Back Box, Welded, 4-11/16" Square	66.7 (1093.0)	(2) 1/2" - 3/4" TKO, (2) 1" - 1-1/4"TKO, (2) 1" - 2" Conc. KO	(2) 3/4"- 1" TKO, (2) 1/2" KO	10	—
911-2	3-1/2" Depth, Welded, 3-3/4" Square	45.0 (737.4)	(12) 1/2"-3/4" Concentric	(4) 1/2"-3/4" Concentric	25	—
911-1	3-1/2" Depth, Welded, 3-3/4" Square, FM Bracket	45.0 (737.4)	(10) 1/2"-3/4" Concentric	(4) 1/2"-3/4" Concentric	10	—

#### APPLICATIONS

- RACO® Red boxes and covers allow inspector or building owner to immediately identify alarm/fire or life safety systems

#### PRODUCT FEATURES

- 911-2, 911-1 boxes have 3-3/4" opening in wall that allows for a margin of error when using a standard 4" square cover
- 911-15 accepts all 4-11/16" square covers and mudrings

#### COMPLIANCE

- LISTED

SEE END OF SECTION (PG A78-A79) FOR DETAILED DRAWINGS >>

## SQUARE BOXES AND COVERS

### LIFE SAFETY SUPPORT PRODUCTS - IMMEDIATE IDENTIFICATION



911-16, 911-17



855, 859



911-8



911-11

#### APPLICATIONS

- RACO® Red boxes and covers allow inspector or building owner to immediately identify alarm/fire or life safety systems

#### PRODUCT FEATURES

- Red boxes, covers and extensions for dedicated life safety alarm circuits

#### COMPLIANCES

- LISTED

CATALOG #	DESCRIPTION	CUBIC IN. (CM <sup>3</sup> )	STD. PKG.	BAR CODE
<b>Life Safety Steel Wall Boxes Covers</b>				
911-16	4-11/16" Sq. x 4" Sq. Adapter, 5/8" Raised, Painted Red	8.3 (136.0)	25	—
911-17	4-11/16" Sq. x 4" Sq. Adapter, 1-1/4" Raised, Painted Red	16.0 (262.0)	12	—
855	4-11/16" Sq. x 4" Sq. Adapter, 5/8" Raised	8.3 (136.0)	25	—
859	4-11/16" Sq. x 4" Sq. Adapter, 1-1/4" Raised	16.0 (262.0)	12	—
911-8	4" Sq., Flat Blank Cover, Painted Red	—	50	—
911-11	4-11/16" Sq., Flat Blank Cover, Painted Red	—	50	—

#### APPLICATIONS

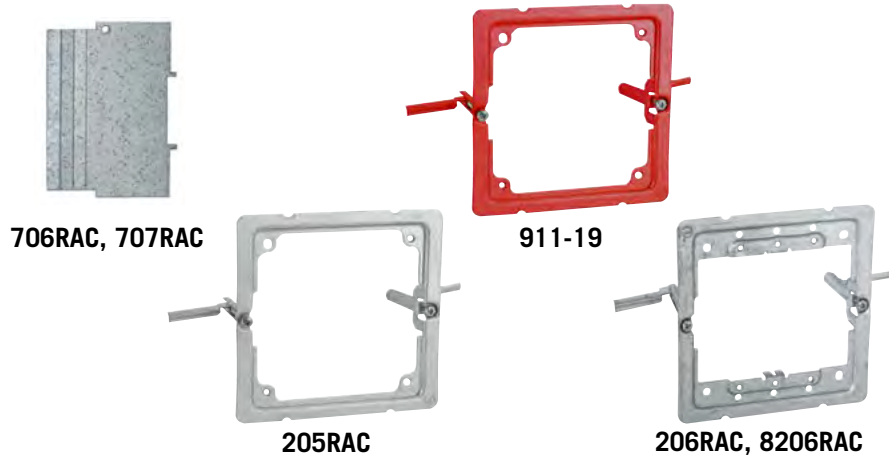
- Low voltage partitions may be added to conduit-type boxes to divide power from voice/data
- Partitions must be used with raised covers
- RACO® RETRO-RING® is used to position any depth, 4" square steel junction box in a sheet rock covered wall cavity
- Use 205RAC is used in old work life safety appliance installations
- 206RAC is used in old work installations where one or two devices are required

#### PRODUCT FEATURES

- RACO® RETRO-RING® works in 3/8" to 1-1/2" thick wall or ceiling applications
- Small footprint is covered by most popular life safety devices
- Steel old work wings allow for secure mounting of box and devices to wall
- Includes one wall template per carton
- 206RAC allows for installation of steel low voltage partition for power/data applications. One or two devices mount directly to 206RAC

#### COMPLIANCE

- LISTED

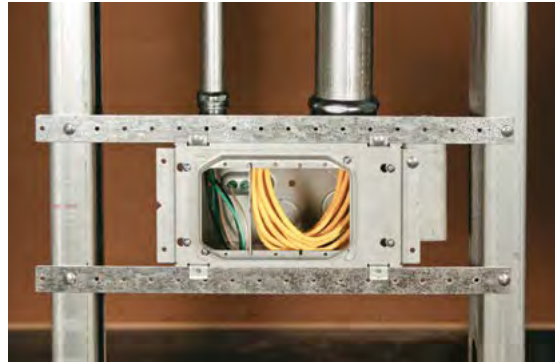


CATALOG #	DESCRIPTION	STD. PKG.	BAR CODE
<b>Low Voltage Box Partition</b>			
706RAC	Box Partition for RETRO-RING® and 1-1/2" Depth, 4" Sq. Box	25	—
707RAC	Box Partition for RETRO-RING® and 2-1/8" Depth, 4" Sq. Box	25	—
<b>Life Safety Steel Wall Box Mounting Brackets</b>			
205RAC	Old Work, 4" Sq. Box Mounting of Life Safety Support	20	—
206RAC	Old Work, 4" Sq. Box Mounting of One or Two Device Applications	20	—
8206RAC	Old Work, 4" Sq. Box Mounting of One or Two Device Applications	10	
911-19	Old Work, 4" Sq. Box Mounting of Life Safety Support, Painted Red	20	—

*\*Low voltage partitions are not UL Listed  
Boxes, covers, and partitions must be ordered separately.  
Partitions are usable but not UL listed for 4-11/16" sq. box.*



### LARGE CAPACITY BOXES FOR AUDIO, VIDEO, POWER AND DATA



260



260H



263



256



255

CAT. #	DESCRIPTION	CUBIC INCHES (CM <sup>3</sup> )	KNOCKOUTS		STD. PKG.	BAR CODE
			SIDES CONDUIT	BOTTOM CONDUIT		
<b>4-11/16" Large Capacity Steel Wall Boxes, 3-1/4" Deep – Welded with Conduit KO's</b>						
260	Raised Ground	66.7 (1093)	(2) 1/2" - 3/4" TKO, (2) 1" - 1-1/4"TKO, (2) 1" - 2" Conc. KO	(2) 3/4"- 1" TKO, (2) 1/2" KO	10	—
260H	Raised Ground, H Bracket For Side Support	66.7 (1093)	(2) 1/2" - 3/4" TKO, (2) 1" - 1-1/4"TKO, (2) 1" - 2" Conc. KO	(2) 3/4"- 1" TKO, (2) 1/2" KO	10	—
263	Raised Ground	113.3 (1856.6)	(6) 1/2" - 3/4" TKO, (2) 3/4" - 1" TKO, (2) 1" - 1-1/4"TKO, (2) 1" - 2" Conc. TKO	(2) 1/2"-3/4" TKO, (2) 3/4"- 1" TKO, (2) 1"- 1-1/4" TKO	6	—
<b>3-3/4" Square Large Capacity Steel Wall Boxes, 3-1/2" Deep – Welded with Conduit KO's</b>						
256	—	45.0 (737.4)	(12) 1/2"-3/4" Concentric	(4) 1/2"-3/4" Concentric	25	
255	FM Bracket	45.0 (737.4)	(10) 1/2"-3/4" Concentric	(4) 1/2"-3/4" Concentric	10	

#### APPLICATIONS

- RACO® Large capacity boxes are used for audio, video, data and power applications providing ample space for Cat 6A and fiber optic cable bends

#### 260 PRODUCT FEATURES

- Large capacity design measures 4-11/16" H x 4-11/16" W x 3-1/4" D
- Accepts standard 4-11/16" square device and flat covers
- Ground screws provided

#### 263 PRODUCT FEATURES

- Large capacity design measures 4-11/16" H x 7-3/4" W x 3-1/4" D
- Accepts standard 4" square device and flat covers or 792, 793, 794 3-gang device covers
- Built-in tabs allow for spanner bars
- Includes 1/2" thru 2" knockouts
- Accepts 981 voltage partition (UL Listed)
- Ground screws provided

#### 255 AND 256 PRODUCT FEATURES

- Large capacity design measures 3-3/4" H x 3-3/4" W x 3-1/2" D
- Accepts standard 4" square device and flat covers

#### COMPLIANCE

- LISTED

SEE END OF SECTION (PG A78, ) FOR DETAILED DRAWINGS >>

## SQUARE BOXES AND COVERS

### AV WALL BOXES

#### APPLICATIONS

- RACO® AV Wall Boxes provide an ideal solution for in-wall applications requiring data, AV and power
- Perfect for Category 6 and 6A fiber optic cables that require a larger bend radius
- Designed to install independently or ganged together to support multiple devices
- Accommodates industry standard wallplates

#### PRODUCT FEATURES

- 2-gang or 3-gang
- Knockouts from 1/2" up to 2"
- 4" depth accepts any device
- Concentric 1/2"-3/4" knockouts for pre-connectorized AV cables
- Eccentric 1/2"- 3/4" knockouts
- Raised ground provision in each gang
- Accepts low voltage partition
- NEMA spaced device mounting, accepts industry standard wallplates
- Adjustable stud mounting brackets built in to accommodate different stud and sheetrock thickness
- Adjustable far side support
- Suitable for masonry application

#### COMPLIANCE

- LISTED

#### APPLICATIONS

- RACO® Large capacity boxes are used for audio, video, data and power applications providing ample space for Cat 6A and fiber optic cable bends
- 792, 793 and 794 covers are solely for RACO® 263 data box. The 3-gang raised covers are 5/8", 3/4" and 1-1/4" raised respectively
- 855 is designed to reduce 4-11/16" square box to 4" sq. box openings

#### PRODUCT FEATURES

- Use with standard 4" square single or double mudrings or 3 gangs special covers (263)
- 855 provides flush mounting of lighting controllers, exit signs and life safety appliances
- Accepts UL Listed Voltage Partition, Cat. No. 981

#### COMPLIANCE

- LISTED



985



989



986

CAT. #	DESCRIPTION	CUBIC INCHES (CM³)	KNOCKOUTS			STD. PKG.	BAR CODE
			TOP	BOTTOM	BACK		
<b>4" Deep, Gangable AV Wall Boxes – For Data and Power</b>							
985	2-gang, 2" KO	54 (884.9)	(2)1/2", (2)1/2"- 3/4" TKO	(1) 1", 1-1/4", 1-1/2", 2	(2)1/2" - 3/4" TKO	10	
986	3-gang, 2"	79 (1294.5)	(3)1/2", (3)1/2"- 3/4" TKO	(1)1/2", (1)1/2"- 3/4" TKO, (1)1", 1-1/4" - 1-1/2", 2"	(3) 1/2" - 3/4" TKO	6	
989	Low voltage partition	—	—	—	—	25	

### COVERS AND PARTITIONS FOR LARGE CAPACITY BOXES



792



793



794



855, 859



981

CAT. #	DESCRIPTION	CUBIC IN. (CM³)	FITS CAT. #	STD. PKG.	BAR CODE
<b>3-Gang Raised Device Covers – For 263 Box</b>					
792	5/8" Raised	10.3 (168.8)	263	10	—
793	3/4" Raised	12.7 (208.1)	263	10	—
794	1-1/4" Raised	24.2 (396.6)	263	5	—
<b>2-Gang Raised Device Cover – For 4-11/16" Box</b>					
855	5/8" Raised, For Life Safety Appliances & Emergency Exit Signs	8.3 (136.0)	260 & 911-15	25	—
859	1-1/4" Raised, For Life Safety Appliances & Emergency Exit Signs	16.0 (262.0)	260 & 911-15	12	—
<b>Voltage Partition</b>					
981	For 5/8", 3/4", 1-1/4" covers for 260, 260H, & 263 boxes	—	260 & 263	25	—

DUGOUT TRANSITION BOX



SC082006STRC

Built-in STAB-IT® clamps for MC

APPLICATIONS

- RACO's Dugout box offers the quickest and easiest way to transition from flexible armored cable to conduit before entering the circuit panel. Specifically designed for commercial applications, the Dugout box builds on the popular concept of our Grand Slam box. This roomy rectangular model features plenty of space for wiring along with 21 of our built-in STAB-IT cable clamps, which hold up to 42 MC cables! Our unique clamps are field-proven to install up to 3X faster than traditional MC connectors. Four concentric knockouts are provided for either 1/2" or 3/4" conduit out to the circuit panel. For wall or ceiling mounting. The Dugout box offers more labor savings and installation flexibility than any other transition box on the market.

PRODUCT FEATURES

- Designed for quick installation of flex, MC, MCI, MCI-A, AC and HCF cable
- STAB-IT® clamp has been tested at over 3X's faster than traditional MC connectors
- Cover included
- Accepts cable sizes from 14/2 up to 10/3 for most cable types
- UL Listed
- Designed and assembled in the USA

COMPLIANCE

- LISTED

CATALOG #	DESCRIPTION	KNOCKOUTS	STAB-IT® CLAMPS	STD. PKG.	BAR CODE
<b>Transition Box with Built-in STAB-IT® Clamps</b>					
SC082006STRC	8" x 20" x 6" Transition Box & Cover	(4)1/2" & 3/4" Concentric	21 (14/2 to 10/3) up to 42 Cables	1	—



STAB-IT Connector

CAT. #	SIZE	STD. PKG.	BAR CODE
<b>STAB-IT® Connector</b>			
989ST	STAB-IT® Connector (accepts 2 cables)	50	—



## SQUARE BOXES AND COVERS

### GRAND SLAM BOX

**Built-in STAB-IT® clamps for MC**



#### APPLICATIONS

- RACO's Grand Slam Box is used to terminate home runs, branch circuits and other electrical wiring. It features RACO's patent-pending built-in STAB-IT® clamps for MC, and is designed specifically for commercial applications.

#### PRODUCT FEATURES

- Patented STAB-IT® clamp tested at over 3Xs faster than traditional MC connectors
- Use to install flex, MC, MCI, MCI-A, HFC, AC and EMT
- Ground bar included
- Concentric knockouts on side and back for easy access

#### COMPLIANCE

- LISTED



SC080803STRC



SC121204STRC



SC080803NKSTRC



SC121204NKSTRC

CAT. #	DESCRIPTION	SIZE	KNOCKOUTS	BUILT-IN STAB-IT® CLAMPS	STD. PKG.	CU.IN CAP.	BAR CODE
<b>Grand Slam Box</b>							
SC080803STRC	8" x 8" Junction Box (Surface Cvr. & Grnd. Bar Included)	8" x 8" x 3"	(12) 1/2" & 3/4" Concentric (5) 3/4" & 1" Concentric	4 (14/2 to 10/3) Up to 8 Cables	1	179	—
SC121204STRC	12" x 12" Junction Box (Surface Cvr. & Grnd. Bar Included)	12" x 12" x 4"	(12) 1/2" & 3/4" Concentric (9) 3/4" & 1" Concentric (8) 1" & 1-1/4" Concentric	6 (14/2 to 10/3) Up to 12 Cables	1	546	—
SC080803NKSTRC	8" x 8" Junction Box (Surface Cvr. & Grnd. Bar Included)	8" x 8" x 3"	—	4 (14/2 to 10/3) Up to 8 Cables	1	179	—
SC121204NKSTRC	12" x 12" Junction Box (Surface Cvr. & Grnd. Bar Included)	12" x 12" x 4"	—	6 (14/2 to 10/3) Up to 12 Cables	1	546	—



**Flush Mount Cover**  
(sold separately)



989ST

CAT. #	SIZE	STD. PKG.	BAR CODE
<b>Flush Mount Cover</b>			
SCF0808RC	8" x 8"	1	—
SCF1212RC	12" x 12"	1	—
989ST	STAB-IT® Connector (accepts 2 cables) Works with all Grand Slam boxes	50	—



### CEILING FAN AND FIXTURE SUPPORT PRODUCTS



295-1, 295



294-1, 294



296-1, 296



299



GORILLA-RING® 284

#### APPLICATIONS

- RACO® Ceiling Support Boxes are specifically designed for ceiling fan and ceiling or wall light fixture support per NEC 314.27(C)

#### PRODUCT FEATURES

- 1/2" side knockouts (294, 294-1, 296, 296-1 and 299)
- No protruding ground screw or fan mounting screws allows easy installation
- #10-32, 1" long ceiling fan screws provided and provision for #8-32 fixture mounting screw (294-1, 294, 296-1, 296 and 299)
- Setback tab allows for easy box installation of different wall thickness (294-1, 294)
- Metal protection plate eliminates debris or damage to wiring
- Easy to follow instructions and mounting hardware included

#### GORILLA RING® CONCRETE RING APPLICATION

- Concrete rings are used with poured deck (floor) in high-rise construction
- GORILLA RING features mounting screws that allow for safe and secure mounting of any chandeliers, or lighting fixtures 150 lbs. or less
- Double row of KO's allow greater installation flexibility with a minimum of bends or offsets for working around reinforcing rods

#### COMPLIANCE

- LISTED



CAT. #	DESCRIPTION	CUBIC INCHES (CM <sup>3</sup> )	KNOCKOUTS			RECOMMENDED MAX. LOADS		STD. PKG.	BAR CODE
			CABLE PRIOUTS	SIDES CONDUIT	BOTTOM CONDUIT	CEILING FAN (DYNAMIC) LBS.	FIXTURE (STATIC) LBS.		
<b>4" Round Ceiling Fan Pan – Drawn with Conduit KO's</b>									
295-1	1/2" Depth	6.0 (99.2)	INSIDER	—	(5) 1/2"	70	150	10	—
295*	1/2" Depth	6.0 (99.2)	INSIDER	—	(5) 1/2"	70	150	10	
<b>4" Round Ceiling Box – Drawn with Conduit KO's</b>									
294-1	2-1/8" Depth, Old and New Work	22.3 (365.4)	INSIDER	(2) 1/2"	(1) 1/2"	70	70/150**	10	—
294*	2-1/8" Depth, Old and New Work	22.3 (365.4)	INSIDER	(2) 1/2"	(1) 1/2"	70	70/150**	10	
296-1	1-1/2" Depth	15.8 (258.9)	INSIDER	(2) 1/2"	(3) 1/2"	70	150	20	—
296*	1-1/2" Depth	15.8 (258.9)	INSIDER	(2) 1/2"	(3) 1/2"	70	150	8	
299*	2-1/8" Depth	22.4 (367.1)	INSIDER	(2) 1/2"	(3) 1/2"	70	150	6	
<b>GORILLA-RING® – Concrete Ring for Ceiling Fan Support</b>									
284	4" Deep, Double Row Side Knockouts	49.3 (807.9)	—	(4) 3/4" (6) 1/2"	—	70	150	6	—

\* Packaged in a stackable, individual chipboard display cartons. Sold in master carton quantities only. Hubbell® RACO® does not break carton quantities on these items.

4714, THE INSIDER® will secure nonmetallic sheathed cable in 1/2" KO (See pg. B75).

\*\* New work applications rated at 150 lbs. Old work applications rated at 70 lbs.

## CEILING BOXES AND COVERS

### CEILING FAN AND FIXTURE SUPPORT PRODUCTS

#### APPLICATIONS

- RACO® KWIK-BRACE® is a heavy-duty ceiling fan brace designed for new or existing construction where joists are accessible
- RACO® RETRO-BRACE® is intended for installations of heavy lighting fixtures or ceiling paddle fans in old work or new work applications

#### PRODUCT FEATURES

- KWIK-BRACE®
  - Slides apart to accommodate joist spacing from 16" to 24", screws provided
  - #10-32 ceiling fan screws provided and #8-32 ceiling fixture mounting provisions
  - Metal protection plate included
  - Nail spurs for easy brace positioning
  - Easy installation, up front ground screws
  - Easy to follow instructions and mounting hardware included
- RETRO-BRACE®
  - Adjustable for joist spacing from 16" to 24"
  - Simple "tool free" expansion
  - Easy installation, up front ground screw
  - #10-32 ceiling fan screws provided and #8-32 ceiling fixture mounting provisions
  - Easy to follow instructions and mounting hardware included

#### COMPLIANCE

- LISTED



926, 926-1



936



937



939

CAT. #	DESCRIPTION	CUBIC INCHES (CM <sup>3</sup> )	KNOCKOUTS			RECOMMENDED MAX. LOADS				STD. PKG.	BAR CODE
			CABLE PRIOUTS	SIDES CONDUIT	BOTTOM CONDUIT	CEILING FAN (DYNAMIC) LBS.		FIXTURE (STATIC) LBS.			
						16" JOIST SPAN	24" JOIST SPAN	16" JOIST SPAN	24" JOIST SPAN		
<b>KWIK-BRACE® with Box – New Construction Braces for Lighting Fixtures or Ceiling Fans</b>											
926-1	1-1/2" Depth	15.8 (258.9)	INSIDER	—	(2) 1/2"	70	70	210	90	12	
926*	1-1/2" Depth	15.8 (258.9)	INSIDER	—	(2) 1/2"	70	70	210	90	6	
<b>RETRO-BRACE® with Box – Remodeling Kits for Lighting Fixtures or Ceiling Fans</b>											
936*	1-1/2" Depth	15.8 (258.9)	INSIDER	—	(2) 1/2"	70	35	110	50	6	
937*	2-1/8" Depth	22.4 (367.1)	INSIDER	—	(2) 1/2"	70	35	110	50	4	
939*	5/8" Depth	6.0 (98.4)	INSIDER	—	(2) 1/2"	70	35	110	50	6	

\* Packaged in a stackable, individual chipboard display cartons. Sold in master carton quantities only. Hubbell® RACO® does not break carton quantities on these items. 4714, THE INSIDER® will secure nonmetallic sheathed cable in 1/2" KO (See pg. B74).

SEE END OF SECTION (PG A79) FOR DETAILED DRAWINGS >>

**CEILING FAN AND FIXTURE SUPPORT PRODUCTS**



**APPLICATION**

- GRID-BRACE™ ceiling support assembly is specifically designed for ceiling fan or fixture support for suspended ceilings

**PRODUCT FEATURES**

- Heavy-duty GRID-BRACE™ for 24" spans
- Turnbuckle and 4' chain section provided
- Yoke provided for threaded rod installation
- Mount box anywhere on sliding bracket
- Spacers provided for decorative ceiling tiles that are below the depth of metal grid for flush mounting of box
- #10-32 grade 5, 1" ceiling fan screws included
- Easy to follow instructions included

**COMPLIANCE**

- **UL** LISTED

CAT. #	DESCRIPTION	CUBIC INCHES (CM <sup>3</sup> )	KNOCKOUTS			RECOMMENDED MAX. LOADS		STD. PKG.	BAR CODE
			SIDES	BOTTOM CONDUIT	CEILING FAN (DYNAMIC) LBS.	FIXTURE (STATIC) LBS.			
<b>GRID-BRACE™ For Suspended Ceilings, 2-1/8" Deep</b>									
931	Ceiling Fan Support for Suspended Ceilings	22.3 (365.4)	(2) 1/2"	(2) Conc. 1/2" & 3/4"	70	70	4	IIIIIII	

**CEILING PANS**



292, 8292

287

293, 8293

**APPLICATION**

- RACO® Ceiling Pans are used in the installation of ceiling or wall lighting fixtures

**PRODUCT FEATURES**

- Combination screw heads provide for faster installation

**COMPLIANCE**

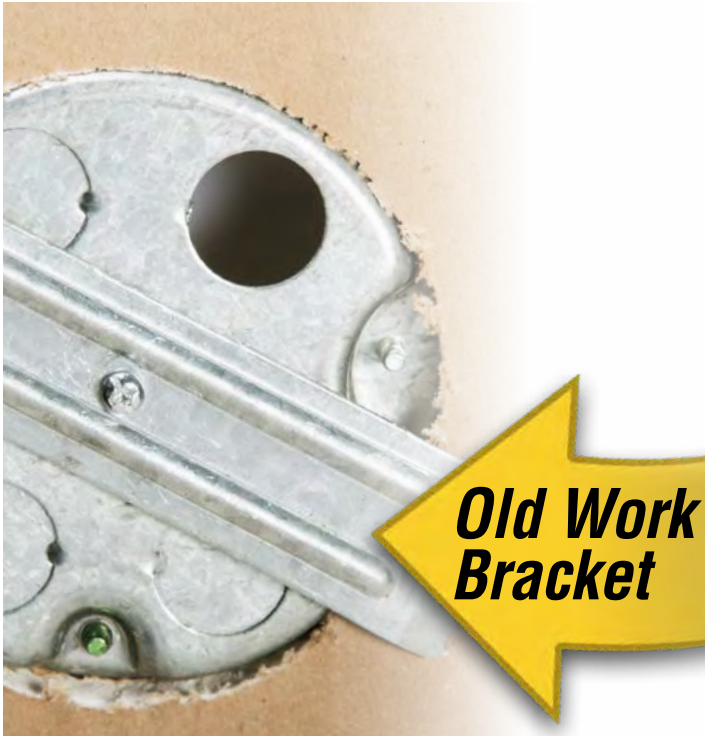
- **UL** LISTED

CAT. #	DESCRIPTION	CUBIC INCHES (CM <sup>3</sup> )	KNOCKOUTS			RECOMMENDED MAX. LOADS		STD. PKG.	BAR CODE
			CABLE PRIOUTS	SIDES CONDUIT	BOTTOM CONDUIT	CEILING FAN (DYNAMIC) LBS.	FIXTURE (STATIC) LBS.		
<b>3-1/2" Round Ceiling Pan – Drawn with Nonmetallic Sheathed Cable Clamps</b>									
292	1/2" Depth	4.0 (65.5)	4	—	(1) 1/2"	No	50	50	—
8292	1/2" Depth	4.0 (65.5)	4	—	(1) 1/2"	No	50	25	IIIIIII
287	3/4" Depth	5.0 (81.9)	4	—	(1) 1/2"	No	50	50	—
<b>4" Round Ceiling Pan – Drawn with Conduit KO's</b>									
293	1/2" Depth	6.0 (98.3)	—	—	(5) 1/2"	No	50	50	—
8293	1/2" Depth	6.0 (98.3)	—	—	(5) 1/2"	No	50	30	IIIIIII

SEE END OF SECTION (PG A79) FOR DETAILED DRAWINGS >>

CEILING BOXES AND COVERS

ROUND OLD WORK PANS



**APPLICATIONS**

- Shallow old work pan design is ideal for mounting fixtures in existing walls or ceilings with obstructions that limit depth

**PRODUCT FEATURES**

- Ideal pans for remodeling, two sizes
- Only 1/2" deep
- Flange and bracket mounts to 1/2" or 5/8" drywall without stud

**COMPLIANCE**

- LISTED



290



297

CAT. #	DESCRIPTION	CUBIC INCHES (CM <sup>3</sup> )	KNOCKOUTS	STD. PKG.	RECOMMENDED MAX. SUPPORT LOADS (FIXTURE)	BAR CODE
<b>Round, Old Work Pans – For Mounting Fixtures</b>						
290	3-1/2" Old Work Pan Box	3.8 (63.0)	2, 1/2"	10	6 Lbs.	
297	4" Old Work Pan Box	6.0 (98.4)	4, 1/2"	10	6 Lbs.	

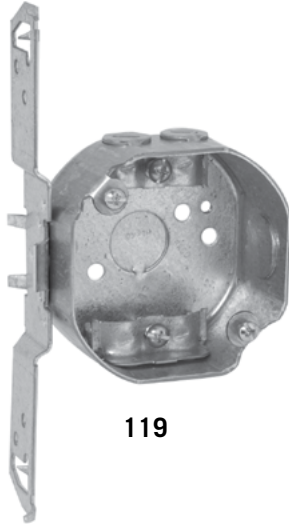
SEE END OF SECTION (PG A79) FOR DETAILED DRAWINGS >>



### 3-1/2" OCTAGON BOXES – DRAWN



112



119

#### APPLICATIONS

- RACO® Octagon Boxes are used in the installation of ceiling or wall lighting fixtures

#### PRODUCT FEATURES

- Combination screw heads provide for faster installation
- Reference the Box Selection section in the front of this catalog for complete description of bracket types and features. Reference Table A7 for cable ranges

#### COMPLIANCE

- LISTED

CAT. #	DESCRIPTION	CUBIC INCHES (CM <sup>3</sup> )	KNOCKOUTS			RECOMMENDED MAX. LOADS		STD. PKG.	BAR CODE
			CABLE PRIOUTS	SIDES CONDUIT	BOTTOM CONDUIT	CEILING FAN (DYNAMIC) LBS.	FIXTURE (STATIC) LBS.		
<b>3-1/2" Octagon Box, 1-1/2" Deep – Drawn with Nonmetallic Sheathed Cable Clamps</b>									
112	—	11.8 (193.4)	4	(2) 1/2"	(1) 1/2"	No	50	25	
119	TS Bracket, 1/2"	11.8 (193.4)	4	(1) 1/2"	(1) 1/2"	No	50	25	

## CEILING BOXES AND COVERS



110



111

#### APPLICATIONS

- RACO® Octagon Boxes are used in the installation of ceiling or wall lighting fixtures
- Extension rings provide a means for adding additional cubic capacity or as an outlet box for surface conduit

#### PRODUCT FEATURES

- Combination screw heads provide for faster installation

#### COMPLIANCE

- LISTED

CAT. #	DESCRIPTION	CUBIC INCHES (CM <sup>3</sup> )	KNOCKOUTS			RECOMMENDED MAX. LOADS		STD. PKG.	BAR CODE
			CABLE PRIOUTS	SIDES CONDUIT	BOTTOM CONDUIT	CEILING FAN (DYNAMIC) LBS.	FIXTURE (STATIC) LBS.		
<b>3-1/2" Octagon Box, 1-1/2" Deep – Drawn with Conduit KO's</b>									
110	—	11.8 (193.4)	—	(4) 1/2"	(1) 1/2"	No	50	25	
<b>3-1/2" Octagon Extension Ring, 1-1/2" Deep – Drawn with Conduit KO's</b>									
111	—	11.8 (193.4)	—	(4) 1/2"	—	No	—	25	

SEE END OF SECTION (PG A80) FOR DETAILED DRAWINGS >>



## CEILING BOXES AND COVERS

### 4" OCTAGON BOXES AND EXTENSION RINGS – DRAWN WITH CONDUIT KO'S

#### APPLICATIONS

- RACO® Octagon Boxes are used in the installation of ceiling or wall lighting fixtures
- Extension rings provide a means for adding additional cubic capacity or as an outlet box for surface conduit

#### PRODUCT FEATURES

- Combination screw heads provide for faster installation
- Reference the Box Selection section in the front of this catalog for complete description of bracket types and features
- Fixture bar hanger allows box to be located anywhere along length of bar

#### COMPLIANCE

- LISTED



CAT. #	DESCRIPTION	CUBIC INCHES (CM <sup>3</sup> )	KNOCKOUTS		RECOMMENDED MAX. LOADS		STD. PKG.	BAR CODE
			SIDES CONDUIT	BOTTOM CONDUIT	CEILING FAN (DYNAMIC) LBS.	FIXTURE (STATIC) LBS.		
<b>4" Octagon Box, 1-1/2" Deep – Drawn with Conduit KO's</b>								
125	—	15.5 (254.0)	(4) 1/2"	(5) 1/2"	No	50	50	—
8125	Raised Ground	15.5 (254.0)	(4) 1/2"	(4) 1/2"	No	50	50	
126	Raised Ground	15.5 (254.0)	(4) 3/4"	(2) 1/2", (2) 3/4"	No	50	50	
127	Raised Ground	15.5 (254.0)	(2) 1/2", (2) 3/4"	(2) 1/2", (2) 3/4"	No	50	25	
127TS	Raised Ground, TS Bracket, 1/2" Setback	15.5 (254.0)	(1) 1/2", (2) 3/4"	(2) 1/2", (2) 3/4"	No	50	25	
158	J Bracket, 3/8" or 1/2" Setback	15.5 (254.0)	(4) 1/2"	(5) 1/2"	No	50	50	
161	TS Bracket, 1/2" Setback	15.5 (254.0)	(3) 1/2"	(5) 1/2"	No	50	25	
161SP	TS Bracket, 1/2" Setback	15.5 (254.0)	(3) 1/2"	(5) 1/2"	No	50	12	
324	Raised Ground, Box with 14-1/4" to 22-1/2" Bar Hanger	15.5 (254.0)	(4) 1/2"	(3) 1/2"	No	10*	25	
<b>4" Octagon Extension Rings, 1-1/2" Deep – Drawn with Conduit KO's</b>								
128	—	15.5 (254.0)	(4) 1/2"	—	No	50	25	
130	—	15.5 (254.0)	(2) 1/2", (2) 3/4"	—	No	50	25	
131RAC	—	15.5 (254.0)	(4) 3/4"	—	No	50	25	

\* 10 lbs max. load recommended. UL Rated for 50 lbs on 16" centers.

SEE END OF SECTION (PG A80) FOR DETAILED DRAWINGS >>



### 4" OCTAGON DEEP BOXES – DRAWN WITH CONDUIT KO'S



**165**



**166**



**167**



**167TS**

#### APPLICATIONS

- RACO® Octagon Boxes are used in the installation of ceiling or wall lighting fixtures

#### PRODUCT FEATURES

- Combination screw heads provide for faster installation
- Reference the Box Selection section in the front of this catalog for complete description of bracket types and features

#### COMPLIANCE

- LISTED

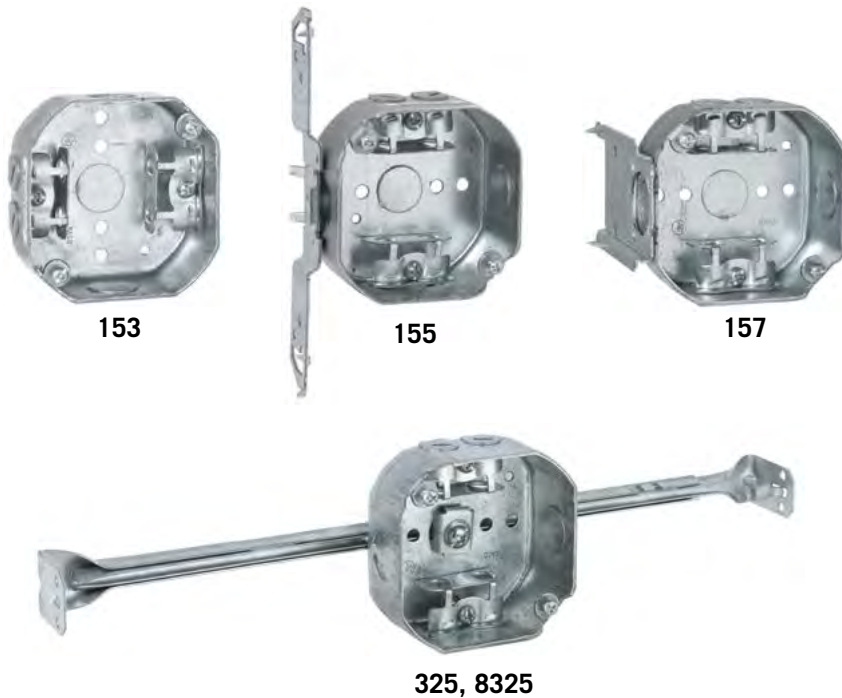
CAT. #	DESCRIPTION	CUBIC INCHES (CM <sup>3</sup> )	KNOCKOUTS		RECOMMENDED MAX. LOADS		STD. PKG.	BAR CODE
			SIDES CONDUIT	BOTTOM CONDUIT	CEILING FAN (DYNAMIC) LBS.	FIXTURE (STATIC) LBS.		
<b>4" Octagon Box, 2-1/8" Deep – Drawn with Conduit KO's</b>								
165	—	21.5 (352.3)	(4) 1/2"	(5) 1/2"	No	50	50	
166	—	21.5 (352.3)	(4) 3/4"	(3) 1/2", (2) 3/4"	No	50	50	—
167	—	21.5 (352.3)	(2) 1/2", (2) 3/4"	(3) 1/2", (2) 3/4"	No	50	25	—
167TS	TS Bracket, 1/2" Setback	21.5 (352.3)	(1) 1/2", (2) 3/4"	(3) 1/2", (2) 3/4"	No	50	25	—

SEE END OF SECTION (PG A80) FOR DETAILED DRAWINGS >>



## CEILING BOXES AND COVERS

### 4" OCTAGON BOXES – DRAWN WITH ARMORED CABLE / METAL CLAD / FLEX CLAMPS



#### APPLICATIONS

- RACO® Octagon Boxes are used in the installation of ceiling or wall lighting fixtures

#### PRODUCT FEATURES

- RACO® offers a variety of labor saving mounting brackets that allow for easy positioning of box along studs or joists
- Reference the Box Selection section in the front of this catalog for complete description of bracket types and features
- Fixture bar hanger allows box to be located anywhere along length of bar

#### COMPLIANCE

- LISTED

CAT. #	DESCRIPTION	CUBIC INCHES (CM <sup>3</sup> )	KNOCKOUTS			RECOMMENDED MAX. LOADS		STD. PKG.	BAR CODE
			CABLE PRIOUTS	SIDES CONDUIT	BOTTOM CONDUIT	CEILING FAN (DYNAMIC) LBS.	FIXTURE (STATIC) LBS.		
<b>4" Octagon Box, 1-1/2" Deep – Drawn with Armored Cable/Metal Clad/Flex Clamps</b>									
153	—	15.5 (254.0)	4	(2) 1/2"	(1) 1/2"	No	50	25	
155	TS Bracket, 1/2" Setback	15.5 (254.0)	4	(1) 1/2"	(1) 1/2"	No	50	50	
157	J Bracket, 3/8" or 1/2" Setback	15.5 (254.0)	4	(2) 1/2"	(1) 1/2"	No	50	50	
325	Box with 14-1/4" to 22-1/2" bar hanger	15.5 (254.0)	4	(2) 1/2"	—	No	10*	25	—
8325	Box with 14-1/4" to 22-1/2" bar hanger	15.5 (254.0)	4	(2) 1/2"	—	No	10*	25	

\* 10 lbs max. load recommended. UL Rated for 50 lbs on 16" centers.

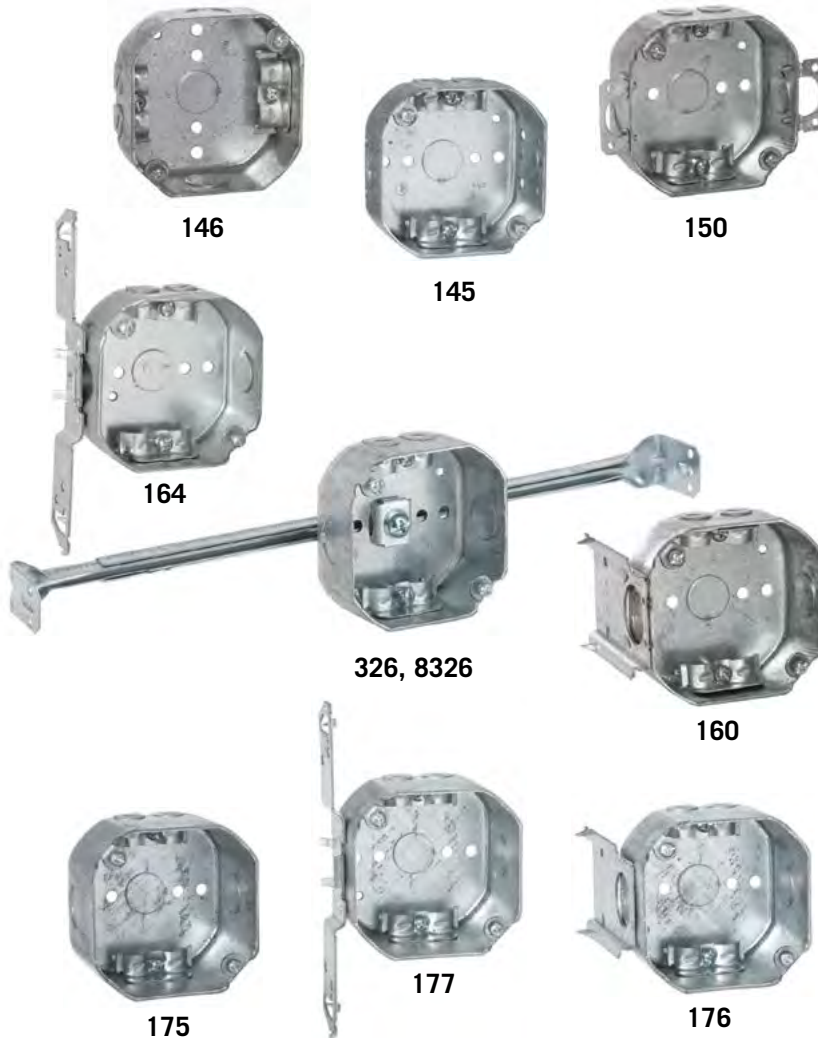
SEE END OF SECTION (PG A80) FOR DETAILED DRAWINGS >>







### 4" OCTAGON BOXES – DRAWN WITH NONMETALLIC SHEATHED CABLE CLAMPS



#### APPLICATIONS

- RACO® Octagon Boxes are used in the installation of ceiling or wall lighting fixtures

#### PRODUCT FEATURES

- RACO® offers a variety of labor saving mounting brackets that allow for easy positioning of box along studs or joists
- Reference the Box Selection section in the front of this catalog for complete description of bracket types and features
- Fixture bar hanger allows box to be located anywhere along length of bar
- Combination screw heads provide for faster installation

#### COMPLIANCE

- LISTED

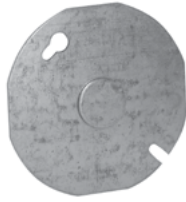
CAT. #	DESCRIPTION	CUBIC INCHES (CM <sup>3</sup> )	KNOCKOUTS			RECOMMENDED MAX. LOADS		STD. PKG.	BAR CODE
			CABLE PRIOUTS	SIDES CONDUIT	BOTTOM CONDUIT	CEILING FAN (DYNAMIC) LBS.	FIXTURE (STATIC) LBS.		
<b>4" Octagon Box, 1-1/2" Deep – Drawn with Nonmetallic Sheathed Cable Clamps</b>									
146	—	15.5 (254.0)	4	(2) 1/2"	(1) 1/2"	No	50	25	
145	Side holes, 1/8" and 1/4"	15.5 (254.0)	4	(2) 1/2"	(1) 1/2"	No	50	50	—
150	Plaster Ears	15.5 (254.0)	4	(2) 1/2"	(1) 1/2"	No	50	25	
160	J Bracket, 3/8" or 1/2" Setback	15.5 (254.0)	4	(2) 1/2"	(1) 1/2"	No	50	25	
164	TS Bracket, 1/2" Setback	15.5 (254.0)	4	(1) 1/2"	(1) 1/2"	No	50	25	
326	Box with 14-1/4" to 22-1/2" bar hanger	15.5 (254.0)	4	(2) 1/2"	—	No	10*	25	—
8326	Box with 14-1/4" to 22-1/2" bar hanger	15.5 (254.0)	4	(2) 1/2"	—	No	10*	25	
<b>4" Octagon Box, 2-1/8" Deep – Drawn with Nonmetallic Sheathed Cable Clamps</b>									
175	—	21.5 (352.3)	4	(2) 1/2"	(1) 1/2"	No	50	25	
176	J Bracket, 5/8" Setback	21.5 (352.3)	4	(2) 1/2"	(1) 1/2"	No	50	25	
177	TS Bracket, 1/2" Setback	21.5 (352.3)	4	(1) 1/2"	(1) 1/2"	No	50	25	—

\* 10 lbs max. load recommended. UL Rated for 50 lbs on 16" centers.

SEE END OF SECTION (PG A80) FOR DETAILED DRAWINGS >>

## CEILING BOXES AND COVERS

### ROUND COVERS FOR 3-1/2" AND 4" OCTAGON BOXES



703, 8703-5



894KH



727, 732, 737

#### APPLICATION

- Covers are used to close an outlet box
- Raised covers are used for mounting lighting fixtures

#### PRODUCT FEATURES

- Combination screw heads provide for faster installation
- Swivel cover restricted to 20° swing from vertical
- KWIK-HANG® allows easy installation of high bay lighting fixtures. Fixture rests in position while wiring is completed

#### COMPLIANCE

- LISTED

CAT. #	DESCRIPTION	CUBIC INCHES (CM <sup>3</sup> )	RECOMMENDED MAX. LOADS		STD. PKG.	BAR CODE
			CEILING FAN (DYNAMIC) LBS.	FIXTURE (STATIC) LBS.		
<b>3-1/2" Round Cover</b>						
703	Flat, 1/2" KO In Center	—	No	—	25	
8703-5*	Flat, 1/2" KO In Center	—	No	—	50	
<b>3-1/2" or 4" Swivel Fixture, Support Covers</b>						
894KH	Kwik-Hang®, For 4" Octagon Boxes, 1/2" or 3/4" Conduit	—	No	50	25	
<b>4" Round Raised Cover</b>						
737	Raised 1/2", Open, Ears 2-3/4" O.C.	3.3 (54.1)	No	50	25	
727	Raised 5/8", Open, Ears 2-3/4" O.C.	3.8 (62.2)	No	50	25	
732	Raised 1", Open, Ears 2-3/4" O.C.	6.5 (106.5)	No	50	25	—

\*5 Bundles of 10 – sold in carton quantities only

### OCTAGON AND ROUND COVERS



722, 8722-5



724, 8724-5



725



729



731, 8731-5



5652-1



5653-1



5654-1

CATALOG #	DESCRIPTION	PKG. TYPE	STD. PKG.	BAR CODE
<b>4" Octagon and Round Covers</b>				
722	Flat, blank	—	50	
8722-5*	Flat, blank	—	50	
724	Flat, 1/2" KO	—	25	
8724-5*	Flat, 1/2" KO	—	50	
725	Flat, 3/4" KO	—	25	
729	Flat, toggle switch	—	50	
731	Flat, duplex receptacle	—	25	
8731-5*	Flat, duplex receptacle	—	50	
<b>5" Round Steel Closure Plates</b>				
5652-1	Off-white, screw and universal mount strap	Shrink	10	—
5653-1	Off-white, (2) 8-32 screws, direct mount to fixture outlet box	Shrink	10	—
5654-1	Off-white, fixture stud and universal mount strap	Shrink	10	—

#### APPLICATIONS

- Covers are used to close an outlet box
- Switches or receptacles may be installed into octagon boxes by using covers 729 or 731

#### PRODUCT FEATURES

- 5" round covers feature state-of-the-art powder coat paint finish which provides a light texture finish and scratch resistance

#### COMPLIANCE

- LISTED

\*5 Bundles of 10 – sold in carton quantities only



## HANDY BOXES

### SINGLE DEVICE HANDY BOXES AND EXTENSION RINGS



650, 8650,  
650CSA



660, 8660



655



611



653



661, 661SP



662, 662SP



663, 8663



666



665

#### APPLICATIONS

- RACO® Handy boxes, also called utility boxes, are used for convenience outlets, switch boxes or small junction boxes
- They are popular for exposed work applications (surface mounted wiring)
- The NEC requires that surface-mounted wiring be enclosed with a protective covering such as EMT conduit

#### PRODUCT FEATURES

- Reference the Box Selection section in the front of this catalog for complete description of bracket types and features

#### COMPLIANCE

- LISTED
- All RACO UL listed steel boxes are acceptable for use in 2 hr. fire rated floor-ceiling and roof-ceiling assemblies, as well as 2 hr. fire rated bearing and non-bearing wood stud and steel stud walls. For additional information consult Fire Resistance Ratings ANSI/UL 263, Sec. III-6

CAT. #	DESCRIPTION	CUBIC INCHES (CM <sup>3</sup> )	KNOCKOUTS			STD. PKG.	BAR CODE
			SIDES CONDUIT	ENDS CONDUIT	BOTTOM CONDUIT		
<b>4" x 2" Handy Boxes, 1-1/2" Deep – Welded with Conduit KO's</b>							
650	—	11.5 (188.5)	(6) 1/2"	(2) 1/2"	(3) 1/2"	50	—
8650	—	11.5 (188.5)	(6) 1/2"	(2) 1/2"	(3) 1/2"	25	
650CSA	With Ground Screw Driven	11.5 (188.5)	(6) 1/2"	(2) 1/2"	(3) 1/2"	50	—
655	B Bracket, 1/4" Setback	11.5 (188.5)	(3) 1/2"	(2) 1/2"	(3) 1/2"	50	—
<b>4" x 2" Handy Box Extension Rings, 1-1/2" Deep – Welded with Conduit KO's</b>							
653	—	11.5 (188.5)	(6) 1/2"	(2) 1/2"	—	25	
<b>4" x 2" Handy Boxes, 1-7/8" Deep – Drawn with Conduit KO's</b>							
660	Raised Ground	13.0 (213.0)	(6) 1/2"	(2) 1/2"	(2) 1/2"	50	—
8660	Raised Ground	13.0 (213.0)	(6) 1/2"	(2) 1/2"	(2) 1/2"	50	
611	Raised Ground, With Ground Screw Driven	13.0 (213.0)	(6) 1/2"	(2) 1/2"	(2) 1/2"	50	—
661	Raised Ground, A Bracket, 5/8" Setback	13.0 (213.0)	(3) 1/2"	(2) 1/2"	(3) 1/2"	25	
661SP	Raised Ground, A Bracket, 5/8" Setback	13.0 (213.0)	(3) 1/2"	(2) 1/2"	(3) 1/2"	18	
662	Raised Ground, TS Bracket, 1/2" Setback	13.0 (213.0)	(3) 1/2"	(2) 1/2"	(3) 1/2"	25	
662SP	Raised Ground, TS Bracket, 1/2" Setback	13.0 (213.0)	(3) 1/2"	(2) 1/2"	(3) 1/2"	18	
663	Raised Ground	13.0 (213.0)	(4) 3/4"	(2) 3/4"	(1) 3/4"	50	—
8663	Raised Ground, 1-7/8" Depth (inside),	13.0 (213.0)	(4) 3/4"	(2) 3/4"	(1) 3/4"	25	
666	Raised Ground	13.0 (213.0)	(6) 1/2"	(1) 1/2" (1) 3/4"	—	50	—
<b>4" x 2" Handy Box Extension Rings, 1-7/8" Deep – Drawn with Conduit KO's</b>							
665	—	13.0 (213.0)	(6) 1/2"	(2) 1/2"	—	20	

SEE END OF SECTION (PG A81) FOR DETAILED DRAWINGS >>





### SINGLE DEVICE HANDY BOXES AND COVERS



CAT. #	DESCRIPTION	CUBIC INCHES (CM <sup>3</sup> )	KNOCKOUTS			STD. PKG.	BAR CODE
			SIDES CONDUIT	ENDS CONDUIT	BOTTOM CONDUIT		
<b>4" x 2" Handy Boxes, 2-1/8" Deep – Welded with Conduit KO's</b>							
670RAC	—	16.5 (270.4)	(6) 1/2"	(2) 1/2"	(3) 1/2"	50	—
8670	—	16.5 (270.4)	(6) 1/2"	(2) 1/2"	(3) 1/2"	25	
674	—	16.5 (270.4)	(4) 3/4"	(2) 3/4"	(2) 3/4"	50	
678	TS Bracket, 1/2" Setback	16.5 (270.4)	(3) 1/2"	(2) 1/2"	(3) 1/2"	25	
671	A Bracket, 5/8" Setback	16.5 (270.4)	(3) 1/2"	(2) 1/2"	(3) 1/2"	50	
<b>3-3/4" x 1-9/16" Industrial Handy Box and Cover – Drawn with Conduit KO's</b>							
640	1-1/2" Depth	7.3 (119.6)	(6) 1/2"	(2) 1/2"	(3) 1/2"	50	—
880	Blank Cover with Captive Screws	—	—	—	—	50	—

CATALOG #	DESCRIPTION	STD. PKG.	BAR CODE
<b>4" x 2" Handy Box Covers – 2-5/16" Wide x 4-3/16" Length</b>			
860	Blank	25	
861	1/2" KO, Centered	25	
862	GFCI	25	
865	Toggle Switch	25	
864	Duplex Receptacle	25	
863	Single Receptacle, 1.406" Dia.	25	
867	20A Receptacle, 1.594" Dia.	25	

#### APPLICATIONS

- RACO® Handy boxes, also called utility boxes, are used for convenience outlets, switch boxes or small junction boxes
- They are popular for exposed work applications (surface mounted wiring)
- The NEC requires that surface-mounted wiring be enclosed with a protective covering such as EMT conduit
- RACO® Handy Box covers are used to close a Handy Box
- Covers also may be used as single gang wall plates

#### PRODUCT FEATURES

- Reference the Box Selection section in the front of this catalog for complete description of bracket types and features
- RACO® Handy Box covers are designed to match the contours of the box
- Cover corners are rounded
- All covers have captive screws

#### COMPLIANCE

- LISTED
- All RACO UL listed steel boxes are acceptable for use in 2 hr. fire rated floor-ceiling and roof-ceiling assemblies, as well as 2 hr. fire rated bearing and non-bearing wood stud and steel stud walls. For additional information consult Fire Resistance Ratings ANSI/UL 263, Sec. III-6

SEE END OF SECTION (PG A81) FOR DETAILED DRAWINGS >>



## HANDY BOXES

### TWO DEVICE HANDY / SWITCH BOXES AND COVERS



#### APPLICATIONS

- Installers can save time and cut installation costs with two gang switch boxes
- Larger capacity boxes are ideal for today's designs where there is a need to install two devices at one location
- Drawn boxes are ideal for exposed work applications (surface mounted wiring)

#### PRODUCT FEATURES

- 681, 685 bracketed boxes are set back 1/2" eliminating the need for a plaster ring
- Reference the Box Selection section in the front of this catalog for complete description of bracket and clamp types and features
- 871, 872 and 873 covers are unpainted and manufactured from pre-galvanized steel

#### COMPLIANCE

- LISTED
- All RACO UL listed steel boxes are acceptable for use in 2 hr. fire rated floor-ceiling and roof-ceiling assemblies, as well as 2 hr. fire rated bearing and non-bearing wood stud and steel stud walls. For additional information consult Fire Resistance Ratings ANSI/UL 263, Sec. III-6

CAT. #	DESCRIPTION	CUBIC INCHES (CM <sup>3</sup> )	KNOCKOUTS		STD. PKG.	BAR CODE
			SIDES CONDUIT	BOTTOM CONDUIT		
<b>4" Square Two Device Switch Boxes, 2-1/8" Deep – Drawn with Conduit KO's</b>						
680	—	30.3 (496.5)	(12) 1/2"	(5) 1/2"	25	
683	—	30.3 (496.5)	(8) 1/2", (4) 3/4"	(3) 1/2", (2) 3/4"	25	
683SP	—	30.3 (496.5)	(8) 1/2", (4) 3/4"	(3) 1/2", (2) 3/4"	10	
681	TS Bracket, 1/2" Setback	30.3 (496.5)	(9) 1/2"	(5) 1/2"	25	
681SP	TS Bracket, 1/2" Setback	30.3 (496.5)	(9) 1/2"	(5) 1/2"	8	
685	TS Bracket, 1/2" Setback	30.3 (496.5)	(6) 3/4"	(3) 1/2", (2) 3/4"	25	
685SP	TS Bracket, 1/2" Setback	30.3 (496.5)	(6) 3/4"	(3) 1/2", (2) 3/4"	8	
<b>4" Square – Two Device Wall Plates</b>						
871	2 Toggle Switches, 1/4" Raised from Surface	—	—	—	25	
872	1 Duplex and 1 Toggle Switch, 1/4" Raised from Surface	—	—	—	25	
873	2 Duplex Receptacles, 1/4" Raised from Surface	—	—	—	25	

SEE END OF SECTION (PG A81) FOR DETAILED DRAWINGS >>



### 3" x 2" SWITCH BOXES – WITH CONDUIT KO'S



400



420



500, 8500



501



503



502



504, 8504



505



506



509



508



599

#### APPLICATIONS

- RACO® Switch boxes are used to house wiring devices such as switches or outlets

#### PRODUCT FEATURES

- Reference the Box Selection section in the front of this catalog for complete description of bracket types and features
- Gangable switch boxes offer the option of constructing a box to hold two or more devices
- Plaster ears allow box to be used in "old work" applications

#### COMPLIANCE

- LISTED
- All RACO UL listed steel boxes are acceptable for use in 2 hr. fire rated floor-ceiling and roof-ceiling assemblies, as well as 2 hr. fire rated bearing and non-bearing wood stud and steel stud walls. For additional information consult Fire Resistance Ratings ANSI/UL 263, Sec. III-6

CAT. #	DESCRIPTION	CUBIC INCHES (CM <sup>3</sup> )	KNOCKOUTS				STD. PKG.	BAR CODE
			SIDES CONDUIT	ENDS CABLE	ENDS CONDUIT	BOTTOM CONDUIT		
<b>1-1/2" Deep Switch Box – Gangable with Conduit KO's</b>								
400	Plaster Ears	7.5 (122.9)	—	—	(2) 1/2"	(1) 1/2"	20	
<b>2" Deep Switch Box – Gangable with Conduit KO's</b>								
420	Plaster Ears	10.0 (163.9)	(4) 1/2"	—	(2) 1/2"	(2) 1/2"	20	
<b>2-1/2" Deep Switch Box – Gangable with Conduit KO's</b>								
500	Plaster Ears	12.5 (204.8)	(4) 1/2"	—	(2) 1/2"	(2) 1/2"	50	—
8500	Plaster Ears	12.5 (204.8)	(4) 1/2"	—	(2) 1/2"	(2) 1/2"	25	
501	No Plaster Ears	12.5 (204.8)	(4) 1/2"	—	(2) 1/2"	(2) 1/2"	50	—
503	Plaster Ears	12.5 (204.8)	(4) 1/2"	—	(2) 3/4"	(2) 1/2"	50	—
502	B Bracket, 5/8" Setback	12.5 (204.8)	(4) 1/2"	—	(2) 1/2"	(2) 1/2"	10	
504	TS Bracket, 1/2" Setback	12.5 (204.8)	(2) 1/2"	—	(2) 1/2"	(2) 1/2"	50	—
8504	TS Bracket, 1/2" Setback	12.5 (204.8)	(2) 1/2"	—	(2) 1/2"	(2) 1/2"	20	
505	TS Bracket, 1/2" Setback	12.5 (204.8)	(2) 1/2"	—	(2) 3/4"	(2) 1/2"	50	—
506	Old Work TIGERGRIP® Plaster Ears	12.5 (204.8)	—	—	(2) 1/2"	(2) 1/2"	16	
509	Old Work, Plaster Ears	12.5 (204.8)	—	—	(2) 1/2"	(2) 1/2"	20	
<b>2-1/2" Deep Switch Box – Nongangable with Conduit KO's</b>								
508	Old Work, 3/4" Sheet Rock Max., Plaster Ears	12.5 (204.8)	—	—	(2) 1/2"	—	20	
<b>2-1/2" Gangable Switch Box Partition – Divides boxes into compartments</b>								
599	For All 2-1/2" Deep Gangable Switch Boxes	—	—	—	—	—	20	

SEE END OF SECTION (PG A82) FOR DETAILED DRAWINGS >>



## SWITCH BOXES

### 3" x 2" SWITCH BOXES – WITH CONDUIT KO'S

#### APPLICATIONS

- RACO® Switch boxes are used to house wiring devices such as switches or outlets

#### PRODUCT FEATURES

- Reference the Box Selection section in the front of this catalog for complete description of bracket types and features
- Gangable switch boxes offer the option of constructing a box to hold two or more devices
- Plaster ears allow box to be used in “old work” applications

#### COMPLIANCE

- LISTED
- All RACO UL listed steel boxes are acceptable for use in 2 hr. fire rated floor-ceiling and roof-ceiling assemblies, as well as 2 hr. fire rated bearing and non-bearing wood stud and steel stud walls. For additional information consult Fire Resistance Ratings ANSI/UL 263, Sec. III-6

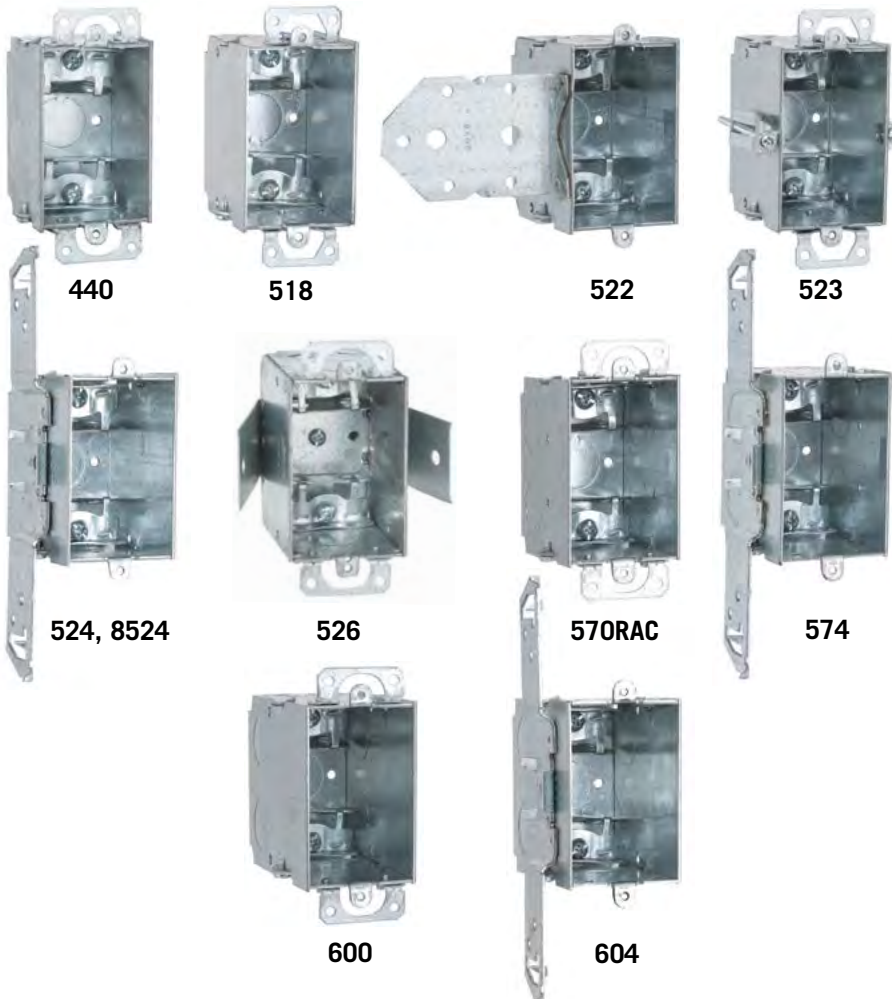


CAT. #	DESCRIPTION	CUBIC INCHES (CM <sup>3</sup> )	KNOCKOUTS				STD. PKG.	BAR CODE
			SIDES CONDUIT	ENDS CABLE	ENDS CONDUIT	BOTTOM CONDUIT		
<b>2-3/4" Deep Switch Box – Nongangable with Conduit KO's</b>								
560	Plaster Ears	14.0 (229.4)	(4) 1/2"	—	(2) 1/2"	(2) 1/2"	25	
565	Plaster Ears	14.0 (229.4)	(4) 3/4"	—	(2) 3/4"	(2) 1/2"	50	—
561	No Plaster Ears	14.0 (229.4)	(4) 1/2"	—	(2) 1/2"	(2) 1/2"	50	—
562	TS Bracket, 1/2" Setback	14.0 (229.4)	(2) 1/2"	—	(2) 1/2"	(2) 1/2"	50	—
<b>3-1/2" Deep Switch Box – Gangable with Conduit KO's</b>								
590	Plaster Ears	18.0 (295.0)	(4) 1/2"	—	(4) 1/2"	(1) 1/2"	50	—
8590	Plaster Ears	18.0 (295.0)	(4) 1/2"	—	(4) 1/2"	(1) 1/2"	25	
591	Plaster Ears	18.0 (295.0)	(4) 3/4"	—	(4) 3/4"	(1) 1/2"	50	
592	No Plaster Ears	18.0 (295.0)	(4) 1/2"	—	(4) 1/2"	(1) 1/2"	50	—

SEE END OF SECTION (PG A82) FOR DETAILED DRAWINGS >>



## 3" x 2" SWITCH BOXES – WITH ARMORED CABLE / METAL CLAD / FLEX CLAMPS



### APPLICATIONS

- RACO® Switch boxes are used to house wiring devices such as switches or outlets

### PRODUCT FEATURES

- Gangable switch boxes offer the option of constructing a box to hold two or more devices
- Plaster ears allow box to be used in "old work" applications
- Reference the Box Selection section in the front of this catalog for complete description of clamp types and features

### COMPLIANCE

- LISTED
- All RACO UL listed steel boxes are acceptable for use in 2 hr. fire rated floor-ceiling and roof-ceiling assemblies, as well as 2 hr. fire rated bearing and non-bearing wood stud and steel stud walls. For additional information consult Fire Resistance Ratings ANSI/UL 263, Sec. III-6

CAT. #	DESCRIPTION	CUBIC INCHES (CM <sup>3</sup> )	KNOCKOUTS				STD. PKG.	BAR CODE
			SIDES CONDUIT	ENDS CABLE	ENDS CONDUIT	BOTTOM CONDUIT		
<b>2" Deep Switch Box – Gangable with Armored Cable/Metal Clad/Flex Clamps</b>								
440	Plaster Ears	10.0 (163.9)	—	4	—	(1) 1/2"	50	—
<b>2-1/2" Deep Switch Box – Gangable with Armored Cable/Metal Clad/Flex Clamps</b>								
518	Plaster Ears	12.5 (204.8)	—	4	—	(1) 1/2"	25	
524	TS Bracket, 1/2" Setback	12.5 (204.8)	—	4	(2) 1/2"	(1) 1/2"	50	—
8524	TS Bracket, 1/2" Setback	12.5 (204.8)	—	4	(2) 1/2"	(1) 1/2"	50	
522	LB Bracket, 5/8" Setback	12.5 (204.8)	—	4	(2) 1/2"	(1) 1/2"	25	
523	Plaster Ears, Old Work, GRIPTITE®	12.5 (204.8)	—	4	—	(1) 1/2"	25	
<b>2-1/2" Deep Switch Box – Nongangable with Armored Cable/Metal Clad/Flex Clamps</b>								
526	Plaster Ears, Old Work, 3/4" Sheet Rock Max.	12.5 (204.8)	—	4	—	—	20	
<b>2-3/4" Deep Switch Box – Gangable with Armored Cable/Metal Clad/Flex Clamps</b>								
570RAC	2-3/4" Depth, Plaster Ears	14.0 (229.4)	(4) 1/2"	4	(2) 1/2"	(1) 1/2"	50	—
574	2-3/4" Depth, TS Bracket, 1/2" Setback	14.0 (229.4)	(2) 1/2"	4	(2) 1/2"	(1) 1/2"	25	
<b>3-1/2" Deep Switch Box – Gangable with Armored Cable/Metal Clad/Flex Clamps</b>								
600	Plaster Ears	18.0 (295.0)	(4) 1/2"	4	(2) 1/2"	(1) 1/2"	25	—
604	TS Bracket, 1/2" Setback	18.0 (295.0)	(4) 1/2"	4	(2) 1/2"	(1) 1/2"	25	

SEE END OF SECTION (PG A82) FOR DETAILED DRAWINGS >>



## SWITCH BOXES

### 3" x 2" STAB-IT® SWITCH BOXES – WITH ARMORED CABLE / METAL CLAD / FLEX CLAMPS

#### APPLICATION

- For any job where flexible armored cable is being used.

#### PRODUCT FEATURES

- Designed for quick installation of flex, MC, MCI, MCI-A, AC, and HCF Cable
- Accepts cable sizes from 14/2 up to 10/3 for most cable types
- Available in 4" sq. 2-1/8" deep boxes with 1 or 2 *STAB-IT* connectors
- Each *STAB-IT* connector accommodates two cables
- Pre-installed 8" solid #12 pigtail for faster installation

#### COMPLIANCE

- LISTED
- All RACO UL listed steel boxes are acceptable for use in 2 hr. fire rated floor-ceiling and roof-ceiling assemblies, as well as 2 hr. fire rated bearing and non-bearing wood stud and steel stud walls.  
For additional information consult Fire Resistance Ratings ANSI/UL 263, Sec. III-6



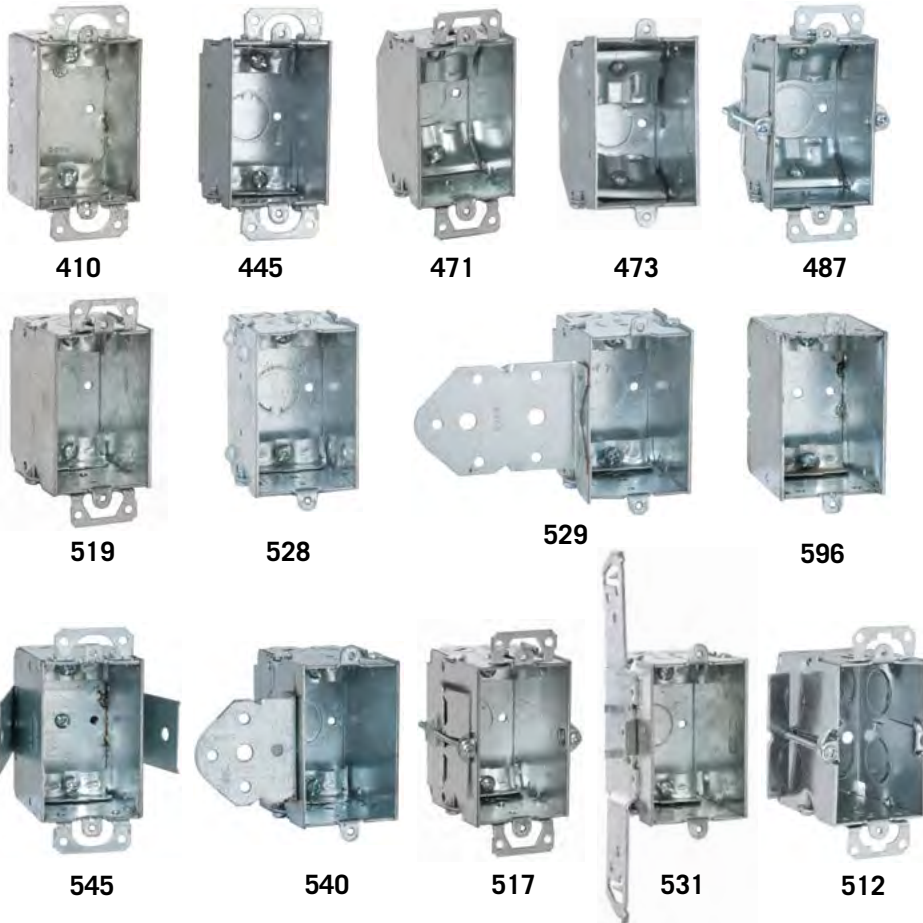
CAT. #	DESCRIPTION	CUBIC INCHES (CM <sup>3</sup> )	KNOCKOUTS				STD. PKG.	BAR CODE
			SIDES CONDUIT	ENDS CABLE	ENDS CONDUIT	BOTTOM CONDUIT		
<b>2-1/2" Deep Switch Box <i>STAB-IT</i> Connector</b>								
518S	(1) <i>STAB-IT</i> Connector, Pigtail	12.5 (204.8)	—	—	—	(1) 1/2"	25	
523S	(1) <i>STAB-IT</i> Connector, Old Work Clips, Pigtail	12.5 (204.8)	—	—	—	(1) 1/2"	25	
524S	(1) <i>STAB-IT</i> Connector, TS Bracket, Pigtail	12.5 (204.8)	—	—	—	(1) 1/2"	50	
<b>3-1/2" Deep Switch Box <i>STAB-IT</i> Connector</b>								
618S	(1) <i>STAB-IT</i> Connector, Pigtail	18.0 (295.0)	—	—	—	(1) 1/2"	25	
623S	(1) <i>STAB-IT</i> Connector, Old Work Clips, Pigtail	18.0 (295.0)	—	—	—	(1) 1/2"	25	
624S	(1) <i>STAB-IT</i> Connector, TS Bracket, Pigtail	18.0 (295.0)	—	—	—	(1) 1/2"	25	

SEE END OF SECTION (PG A82) FOR DETAILED DRAWINGS >>





### 3" X 2" SWITCH BOXES – WITH NONMETALLIC SHEATHED CABLE CLAMPS



#### APPLICATIONS

- RACO® Switch boxes are used to house wiring devices such as switches or outlets

#### PRODUCT FEATURES

- Beveled corner boxes are designed to prevent the clamp screws from protruding into back wall
- Reference the Box Selection section in the front of this catalog for complete description of bracket types and features
- Gangable switch boxes offer the option of constructing a box to hold two or more devices
- Plaster ears allow box to be used in "old work" applications

#### COMPLIANCE

- LISTED
  - All RACO UL listed steel boxes are acceptable for use in 2 hr. fire rated floor-ceiling and roof-ceiling assemblies, as well as 2 hr. fire rated bearing and non-bearing wood stud and steel stud walls.
- For additional information consult Fire Resistance Ratings ANSI/UL 263, Sec. III-6

CAT. #	DESCRIPTION	CUBIC INCHES (CM <sup>3</sup> )	KNOCKOUTS				STD. PKG.	BAR CODE
			SIDES CONDUIT	ENDS CABLE	ENDS CONDUIT	BOTTOM CONDUIT		
<b>1-1/2" Deep Switch Box – Nongangable with Nonmetallic Sheathed Cable Clamps</b>								
410	Plaster Ears	7.5 (122.9)	—	4	—	—	25	
<b>2" Deep Switch Box – Gangable with Nonmetallic Sheathed Cable Clamps</b>								
445	Plaster Ears	10.0 (163.9)	—	4	—	(1) 1/2"	50	—
<b>2-1/4" Deep Switch Box – Gangable with Nonmetallic Sheathed Cable Clamps</b>								
471	One Screw, Plaster Ears	10.5 (172.1)	—	4	—	(1) 1/2"	25	
473	Level Bumps	10.5 (172.1)	—	4	(2) 1/2"	(1) 1/2"	20	
487	Old Work, TIGERGRIP®	10.5 (172.1)	—	4	—	(1) 1/2"	20	
<b>2-1/2" Deep Switch Box – Nongangable with Nonmetallic Sheathed Cable Clamps</b>								
596	No Plaster Ears	12.5 (204.8)	—	4	(2) 1/2"	—	50	—
545	Plaster Ears, Old Work, 3/4" Sheet Rock Max.	12.5 (204.8)	—	4	(2) 1/2"	—	20	
<b>2-1/2" Deep Switch Box – Gangable with Nonmetallic Sheathed Cable Clamps</b>								
519	Plaster Ears	12.5 (204.8)	—	4	—	(1) 1/2"	25	
528	Level Bumps	12.5 (204.8)	—	4	(2) 1/2"	(1) 1/2"	25	
529	LB Bracket, 5/8" Setback	12.5 (204.8)	—	4	(2) 1/2"	(1) 1/2"	20	
531	TS Bracket, 1/2" Setback	12.5 (204.8)	—	4	(2) 1/2"	(1) 1/2"	25	
540	B Bracket, 1/4" Setback	12.5 (204.8)	—	4	(2) 1/2"	(1) 1/2"	50	—
517	Plaster Ears, Old Work, TIGERGRIP	12.5 (204.8)	—	4	—	(1) 1/2"	20	
512	Plaster Ears, Old Work	12.5 (204.8)	—	4	—	(1) 1/2"	20	

SEE END OF SECTION (PG A82) FOR DETAILED DRAWINGS >>



## SWITCH BOXES

### 3" X 2" SWITCH BOXES – WITH NONMETALLIC SHEATHED CABLE CLAMPS

#### APPLICATIONS

- RACO® Switch boxes are used to house wiring devices such as switches or outlets

#### PRODUCT FEATURES

- RACO® 355 and 8355 are extra wide for ease of GFCI installation
- Reference the Box Selection section in the front of this catalog for complete description of bracket types and features
- Gangable switch boxes offer the option of constructing a box to hold two or more devices
- Plaster ears allow box to be used in “old work” applications

#### COMPLIANCE

- LISTED
- All RACO UL listed steel boxes are acceptable for use in 2 hr. fire rated floor-ceiling and roof-ceiling assemblies, as well as 2 hr. fire rated bearing and non-bearing wood stud and steel stud walls. For additional information consult Fire Resistance Ratings ANSI/UL 263, Sec. III-6



564



567



355, 8355



601, 8601



601G



603



605

CAT. #	DESCRIPTION	CUBIC INCHES (CM <sup>3</sup> )	KNOCKOUTS				STD. PKG.	BAR CODE
			SIDES CONDUIT	ENDS CABLE	ENDS CONDUIT	BOTTOM CONDUIT		
<b>2-3/4" Deep Switch Box – Gangable with Nonmetallic Sheathed Cable Clamps</b>								
567	Plaster Ears	14.0 (229.4)	(4) 1/2"	4	(2) 1/2"	(1) 1/2"	25	
564	TS Bracket, 1/2" Setback	14.0 (229.4)	(2) 1/2"	4	(2) 1/2"	(1) 1/2"	25	
<b>2-27/32" Deep Switch Box – Nongangable with Nonmetallic Sheathed Cable Clamps</b>								
355	S Bracket, Nails	15.8 (258.9)	—	4	—	(1) 1/2"	50	—
8355	S Bracket, Nails	15.8 (258.9)	—	4	—	(1) 1/2"	20	
<b>3-1/2" Deep Switch Box – Gangable with Nonmetallic Sheathed Cable Clamps</b>								
601	Plaster Ears	18.0 (295.0)	(4) 1/2"	4	(2) 1/2"	(1) 1/2"	25	—
8601	Plaster Ears	18.0 (295.0)	(4) 1/2"	4	(2) 1/2"	(1) 1/2"	25	
601G	Plaster Ears, With Ground Screw Driven	18.0 (295.0)	(4) 1/2"	4	(2) 1/2"	(1) 1/2"	25	—
605	TS Bracket, 1/2" Setback	18.0 (295.0)	(4) 1/2"	4	(2) 1/2"	(1) 1/2"	25	
603	B Bracket, 5/8" Setback	18.0 (295.0)	(4) 1/2"	4	(2) 1/2"	(1) 1/2"	25	—

SEE END OF SECTION (PG A82) FOR DETAILED DRAWINGS >>



### SHALLOW SWITCH BOXES – WITH NONMETALLIC SHEATHED CABLE CLAMPS



404, 404SP



405



418

#### APPLICATIONS

- RACO® Shallow switch boxes are made for use with furring strips and 1/4" paneling
- Switch boxes are used to house wiring devices such as switches or outlets

#### PRODUCT FEATURES

- RACO® "D" bracket is pre-scored and can be broken off if needed
- Reference the Box Selection section in the front of this catalog for complete description of bracket types and features
- 418 will accept 4" square mudring or flat cover

#### COMPLIANCE

- LISTED
- All RACO UL listed steel boxes are acceptable for use in 2 hr. fire rated floor-ceiling and roof-ceiling assemblies, as well as 2 hr. fire rated bearing and non-bearing wood stud and steel stud walls. For additional information consult Fire Resistance Ratings ANSI/UL 263, Sec. III-6

CAT. #	DESCRIPTION	CUBIC INCHES (CM <sup>3</sup> )	KNOCKOUTS				STD. PKG.	BAR CODE
			SIDES CONDUIT	ENDS CABLE	ENDS CONDUIT	BOTTOM CONDUIT		
<b>3-3/4" x 2" Switch Box, 1" Deep – Nongangable with Nonmetallic Sheathed Cable Clamps</b>								
404	Q Clamp, 1/4" Setback	6.5 (106.5)	—	2	(1) 1/2"	—	25	
404SP	Q Clamp, 1/4" Setback	6.5 (106.5)	—	2	(1) 1/2"	—	6	
405	Q Clamp, 1/4" Setback	6.5 (106.5)	—	4	—	—	25	
<b>4" x 4" Switch Box, 1" Deep – Nongangable with Nonmetallic Sheathed Cable Clamps</b>								
418	(2) Q Clamp, 1/4" Setback	14.8 (242.5)	—	4	(2) 1/2"	—	25	



## SWITCH BOXES

### MULTIDEVICE LARGE CAPACITY SWITCH BOXES & PARTITIONS

#### APPLICATIONS

- Installers can save time and cut installation costs with multigang switch boxes
- Larger capacity boxes are ideal for today's designs where there is a need to install two devices at one location

#### PRODUCT FEATURES

- Reference the Box Selection section in the front of this catalog for complete description of bracket and clamp types and features

#### COMPLIANCE

- LISTED



686



687



971

CAT. #	DESCRIPTION	CUBIC INCHES (CM <sup>3</sup> )	KNOCKOUTS				STD. PKG.	BAR CODE
			SIDES CONDUIT	ENDS CABLE	ENDS CONDUIT	BOTTOM CONDUIT		
<b>Multidevice Switch Boxes, 2-1/2" Deep – Welded with Conduit KO's</b>								
686	3-Gang, 1/2" Setback	47.8 (783.3)	(6) 1/2", (6) 3/4"	—	(2) 1/2", (2) 3/4"	(3) 1/2", (3) 3/4"	10	IIIIIIII
687	4-Gang, 1/2" Setback	63.5 (1040.6)	(8) 1/2", (8) 3/4"	—	(2) 1/2", (2) 3/4"	(4) 1/2", (4) 3/4"	10	IIIIIIII
<b>Low-Voltage Partition</b>								
971	For 686 and 687 Boxes	—	—	—	—	—	25	—

SEE END OF SECTION (PG A82) FOR DETAILED DRAWINGS >>





951 through 955



941 through 945

CAT. #	DESCRIPTION	CUBIC INCHES (CM <sup>3</sup> )	KNOCKOUTS			STD. PKG.	BAR CODE
			TOP & BOTTOM	SIDES	BACK		
<b>Gang Boxes, 1-5/8" Deep – Welded with Conduit KO's</b>							
951	2-Gang	47.0 (770.1)	8 Conc. 1/2" & 3/4"	4 Conc. 1/2" & 3/4"	(3) 1/2" (2) 3/4"	5	—
952	3-Gang	60.0 (983.2)	10 Conc. 1/2" & 3/4"	4 Conc. 1/2" & 3/4"	(6) 1/2" (4) 3/4"	5	
953	4-Gang	72.8 (1192.9)	12 Conc. 1/2" & 3/4"	4 Conc. 1/2" & 3/4"	(6) 1/2" (4) 3/4"	5	
954	5-Gang	85.8 (1406.0)	14 Conc. 1/2" & 3/4"	4 Conc. 1/2" & 3/4"	(6) 1/2" (4) 3/4"	5	—
955	6-Gang	98.5 (1614.1)	16 Conc. 1/2" & 3/4"	4 Conc. 1/2" & 3/4"	(6) 1/2" (4) 3/4"	1	—
<b>Gang Boxes, 2-1/2" Deep – Welded with Conduit KO's</b>							
941	2-Gang	70.0 (1147.0)	(4) 3/4" 4 Conc. 3/4" & 1"	4 Conc. 3/4" & 1"	(3) 1/2" (2) 3/4"	5	
942	3-Gang	90.0 (1474.8)	(8) 3/4" 2 Conc. 3/4" & 1"	4 Conc. 3/4" & 1"	(6) 1/2" (4) 3/4"	5	
943	4-Gang	110.0 (1802.5)	(4) 3/4" 4 Conc. 3/4" & 1"	4 Conc. 3/4" & 1"	(6) 1/2" (4) 3/4"	5	
944	5-Gang	130.0 (2130.3)	(6) 3/4" 4 Conc. 3/4" & 1"	4 Conc. 3/4" & 1"	(6) 1/2" (4) 3/4"	5	
945	6-Gang	150.0 (2458.0)	(6) 3/4" 6 Conc. 3/4" & 1"	4 Conc. 3/4" & 1"	(6) 1/2" (4) 3/4"	1	

### APPLICATIONS

- RACO® Gang boxes are used where a number of wiring devices are to be centrally located

### PRODUCT FEATURES

- Gang boxes save time in installation, no need to gang boxes together
- Have 1/2" and 3/4" concentric KO's for use with a wide variety of wiring methods
- Bottom KO pattern, 3-1/2" and 2-3/4" at either end of box
- Accept two styles of covers, flat and 3/4" raised device cover
- Use low voltage partitions #947 or #949

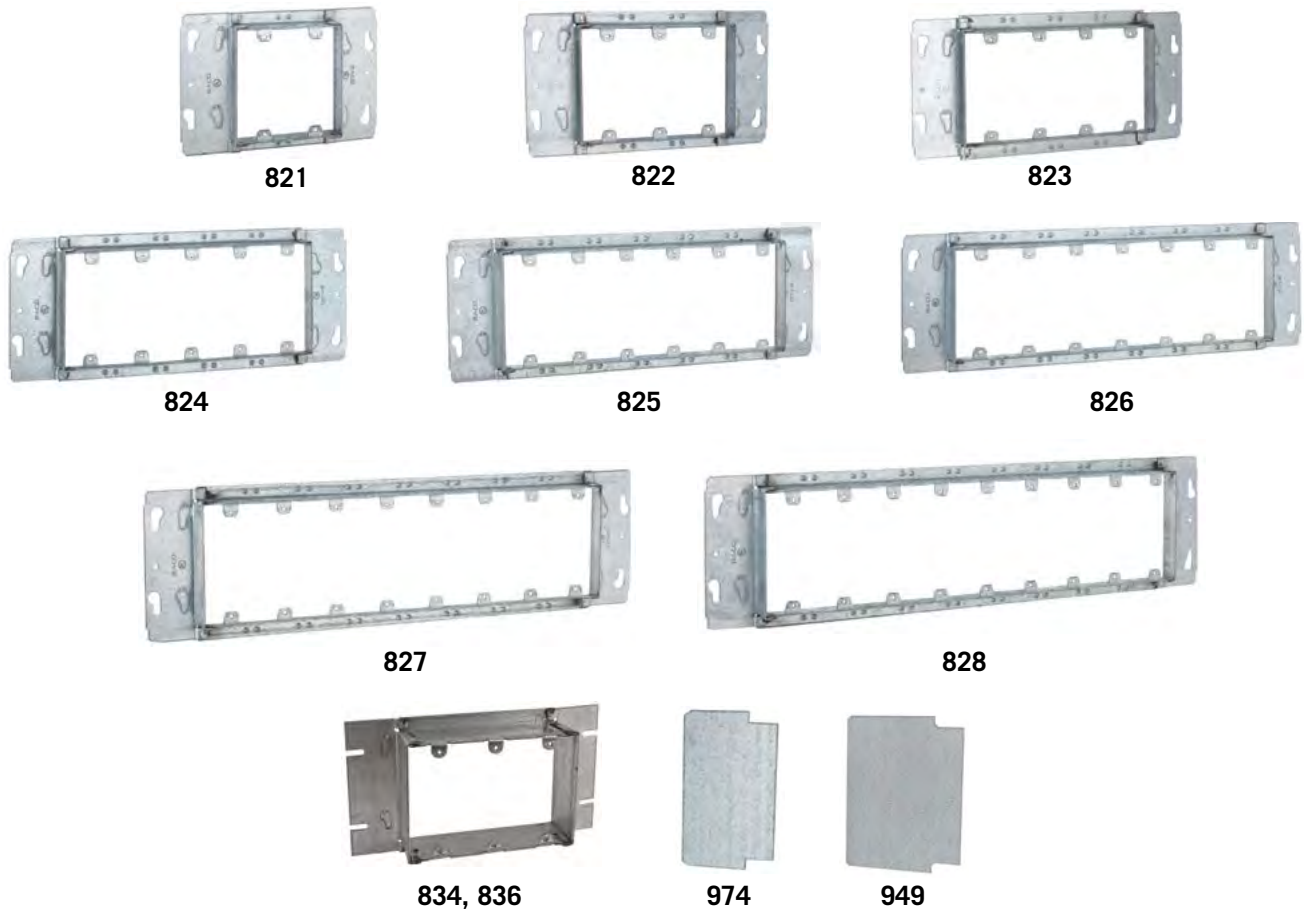
### COMPLIANCE

- LISTED

SEE END OF SECTION (PG A82) FOR DETAILED DRAWINGS >>

## MULTIGANG BOXES

### COVERS AND PARTITIONS



#### APPLICATIONS

- RACO® Gang box covers permit the mounting of devices
- Low voltage partitions may be added to boxes to divide power from voice/data
- RACO® 834 and 836 covers are ideal for nurse call stations

#### PRODUCT FEATURES

- RACO® Device covers also fit next smaller box, i.e. three gang cover fits two or three gang box
- Partition divides boxes into compartments

#### COMPLIANCE

- LISTED

CAT. #	DESCRIPTION	FOR GANG BOXES	CU. IN. CAPACITY (CM <sup>3</sup> )	STD. PKG.	BAR CODE
<b>Device Covers for Gang Boxes - Raised 3/4"</b>					
821	2-Gang, 7-1/16" Width	951 or 941	10.0 (163.8)	5	—
822	3-Gang, 8-7/8" Width	952 or 942	15.3 (250.7)	5	
823	4-Gang, 10-11/16" Width	953 or 943	20.3 (332.6)	5	
824	5-Gang, 12-1/2" Width	954 or 944	25.5 (417.8)	5	—
825	6-Gang, 14-5/16" Width	955 or 945	30.5 (499.8)	1	—
826	7-Gang, 16-1/8" Width	956	35.5 (581.7)	1	—
827	8-Gang, 17-5/16" Width	957	40.8 (668.5)	1	—
828	9-Gang, 19-3/4" Width	958	45.8 (750.5)	1	—
<b>Device Covers for Gang Boxes</b>					
834	3-Gang, 8-7/8" Width, 2" Raised	952 or 942	40.8 (668.5)	15	—
836	3-Gang, 8-7/8" Width, 1-1/2" Raised	952 or 942	30.6 (501.4)	20	—
<b>Low Voltage Partitions for Gang Boxes</b>					
974	For 1-5/8" Deep	—	—	25	—
949	For 2-1/2" Deep	—	—	25	—



BLANK COVERS



844



845



846



847



848

CAT. #	DESCRIPTION	FOR GANG BOXES	STD. PKG.	BAR CODE
<b>Flat, Blank Covers for Gang Boxes</b>				
844	2-Gang, 7-1/16" Width	951 or 941	5	—
845	3-Gang, 8-7/8" Width	952 or 942	5	—
846	4-Gang, 10-11/16" Width	953 or 943	5	—
847	5-Gang, 12-1/2" Width	954 or 944	1	—
848	6-Gang, 14-5/16" Width	955 or 945	1	—

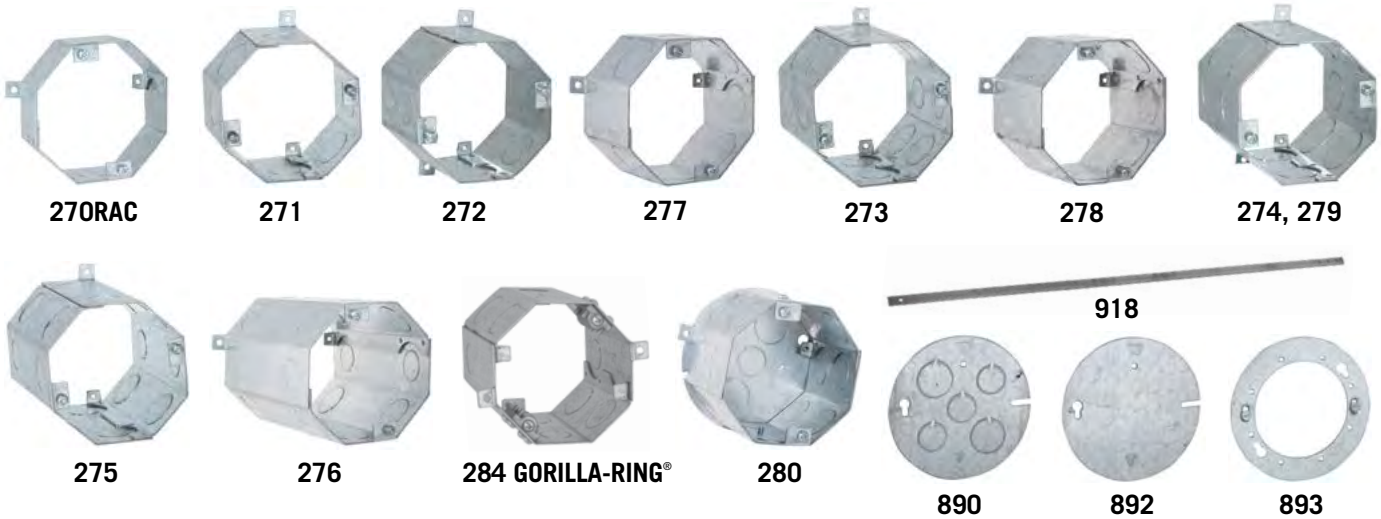
APPLICATIONS

- Covers are used to close a multigang box



## MASONRY BOXES

### CONCRETE RINGS, CEILING BOX AND COVER PLATES



#### APPLICATIONS

- RACO® Concrete rings are used with poured deck (floor) in high-rise construction
- These boxes are installed on wooden or steel concrete forms. After the forms are removed, the box is flush with the concrete
- \*RACO® Ceiling Fan Concrete Ring 284 is listed for support of ceiling fans

#### PRODUCT FEATURES

- Flat sides provide excellent contact for locknuts
- External ears are used to nail the ring to the wood form
- Top cover is removable for before-pour work
- Ears on inside of box are for fixtures
- Waxed fixture ears prevent concrete from interfering with the threads
- A variety of cover plates are available
- Cover plate must be ordered separately with all RACO® concrete rings

#### COMPLIANCE

- LISTED

CAT. #	DESCRIPTION	CUBIC INCHES (CM <sup>3</sup> )	KNOCKOUTS	RECOMMENDED MAX. LOADS		STD. PKG.	BAR CODE
				CEILING FAN (DYNAMIC) LBS.	FIXTURE (STATIC) LBS.		
<b>Concrete Rings</b>							
270RAC	2" Deep	24.5 (401.4)	Single Row KO's - 1/2" and 3/4"	No	50	25	—
271	2-1/2" Deep	30.8 (504.7)	Single Row KO's - 1/2" and 3/4"	No	50	25	IIIIIIII
272	3" Deep	37.0 (606.3)	Single Row KO's - 1/2" and 3/4"	No	50	25	—
277	3" Deep	37.0 (606.3)	Single Row KO's - 3/4" and 1"	No	50	25	—
273	3-1/2" Deep	43.0 (704.6)	Double Row KO's - 1/2" and 3/4"	No	50	20	—
278	3-1/2" Deep	43.0 (704.6)	Single Row KO's - 3/4" and 1"	No	50	20	—
274	4" Deep	49.3 (807.8)	Double Row KO's - 1/2" and 3/4"	No	50	20	—
279	4" Deep	49.3 (807.8)	Double Row KO's - 3/4" and 1"	No	50	20	—
275	5" Deep	61.5 (1007.8)	Double Row KO's - 1/2" and 3/4"	No	50	10	—
276	6" Deep	74.0 (1212.6)	Double Row KO's - 1/2" and 3/4"	No	50	10	—
284*	4" Deep	49.3 (807.8)	Double Row KO's - 1/2" and 3/4"	70	150	6	—
<b>Hung Ceiling Box</b>							
280	3-1/2" Deep, includes an 890 cover	43.0 (704.6)	Double Row KO's (8) 1/2" and (8) 3/4"	No	—	20	—
918	30" Long Bars for Hung Ceiling Box	—	—	No	—	40	—
<b>Concrete Ring - Back Plates/Covers and Adapter Ring</b>							
890	(3) 1/2" and (2) 3/4" KO's, O.D. 4-1/2"	—	—	—	—	25	IIIIIIII
892	Flat, Blank, O.D. 4-1/2"	—	—	—	—	25	—
893	O.D. 4-1/2", Joins Octagon Ext. Ring to Concrete Ring, Two Retained Screws	—	—	—	—	50	—

SEE END OF SECTION (PG A83) FOR DETAILED DRAWINGS >>

### MASONRY BOXES AND PARTITIONS



690 through 694



695 through 699



960



965



971



949

CAT. #	DESCRIPTION	CUBIC INCHES (CM <sup>3</sup> )	KNOCKOUTS			STD. PKG.	BAR CODE
			SIDES CONDUIT	ENDS CONDUIT	BOTTOM CONDUIT		
<b>Masonry Boxes, 2-1/2" Deep – Nongangable with conduit KO's</b>							
690	1-gang, 1-31/32" wide	16.0 (262.1)	4 Conc.	2 Conc.	2 Conc.	25	—
691	2-gang, 3-25/32" wide	31.8 (521.1)	4 Conc.	4 Conc.	4 Conc.	25	—
692	3-gang, 5-19/32" wide	47.8 (783.3)	4 Conc.	6 Conc.	3 Conc.	10	—
693	4-gang, 7-13/32" wide	63.5 (1040.5)	4 Conc.	8 Conc.	4 Conc.	10	—
694	5-gang, 9-7/32" wide	79.5 (1302.7)	4 Conc.	10 Conc.	5 Conc.	10	—
960	6-gang, 11-1/32" wide	95.3 (1561.6)	4 Conc.	12 Conc.	6 Conc.	1	—
<b>Masonry Boxes, 3-1/2" Deep – Nongangable with conduit KO's</b>							
695	1-gang, 1-31/32" wide	22.5 (368.7)	4 Conc.	4 Conc.	2 Conc.	25	—
8695	1-gang, 1-31/32" wide	22.5 (368.7)	4 Conc.	4 Conc.	2 Conc.	25	
696	2-gang, 3-25/32" wide	45.0 (737.4)	4 Conc.	8 Conc.	4 Conc.	25	
697	3-gang, 5-19/32" wide	67.3 (1102.8)	4 Conc.	12 Conc.	3 Conc.	10	
698	4-gang, 7-13/32" wide	89.8 (1471.5)	4 Conc.	16 Conc.	4 Conc.	10	—
699	5-gang, 9-7/32" wide	112.3 (1840.2)	4 Conc.	20 Conc.	5 Conc.	10	—
965	6-gang, 11-1/32" wide	134.8 (2208.9)	4 Conc.	24 Conc.	6 Conc.	1	—

CATALOG #	DESCRIPTION	STD. PKG.	BARCODE
<b>Low Voltage Partitions for Masonry Boxes</b>			
971	For nongangable, 2-1/2" or 3-1/2" deep boxes	25	—
949	For gangable, 2-1/2" deep boxes	25	

#### APPLICATIONS

- RACO® Masonry boxes are designed to accommodate the mounting of switches or other devices in masonry walls
- Gangable masonry boxes offer the option of constructing a box to hold two or more devices
- 2-1/2" deep boxes are used in 4" block walls, 3-1/2" deep boxes are used in 6" or 8" block walls

#### NONGANGABLE PRODUCT FEATURES

- Rugged welded design does not fall apart during construction
- Available from one to six gang configurations in both 2-1/2" and 3-1/2" depths
- Rectangular shape fits square cuts in block
- Large volume design allows for additional work room inside the box
- Standard 1/2" and 3/4" concentric Knockouts
- Device ears inside the box prevent mortar from getting in the device holes
- Steel low voltage partition #971 fits all 2-1/2" or 3-1/2" depths
- Standard wall plates can be used

#### COMPLIANCE

- LISTED

SEE END OF SECTION (PG A83) FOR DETAILED DRAWINGS >>

## MASONRY BOXES

### GANGABLE MASONRY BOXES AND PARTITIONS

#### APPLICATIONS

- RACO® Masonry boxes are designed to accommodate the mounting of switches or other devices in masonry walls
- Gangable masonry boxes offer the option of constructing a box to hold two or more devices
- 2-1/2" deep boxes are used in 4" block walls, 3-1/2" deep boxes are used in 6" or 8" block walls

#### GANGABLE PRODUCT FEATURES

- Rugged welded design does not fall apart during construction
- Gangable design allows installer to build unlimited number of gangs to hold multiple devices
- Rectangular shape fits square cuts in block
- Standard 1/2" and 3/4" TKO® Knockouts
- Device ears inside the box prevent mortar from getting in the device holes
- Steel low voltage partitions:
  - #675 fits 2-1/2" box
  - #676 fits 3-1/2" deep box
- Forward mounted grounding provision allows for easy installation of grounding pigtail
- Standard wall plates can be used

#### COMPLIANCE

- LISTED



688



689



675



676

CAT. #	DESCRIPTION	CUBIC INCHES (CM <sup>3</sup> )	KNOCKOUTS			STD. PKG.	BAR CODE
			SIDES CONDUIT	ENDS CONDUIT	BOTTOM CONDUIT		
<b>Masonry Boxes, 2-1/2" Deep – Gangable with conduit KO's</b>							
688	1-gang, 1-15/16" wide	15.5 (253.9)	4 TKO®	2 TKO®	2 TKO®	20	IIIIIIII
<b>Masonry Boxes, 3-1/2" Deep – Gangable with conduit KO's</b>							
689	1-gang, 1-15/16" wide	22.5 (368.7)	4 TKO®	4 TKO®	2 TKO®	20	IIIIIIII

CATALOG #	DESCRIPTION	STD. PKG.	BARCODE
<b>Low Voltage Partitions for Masonry Boxes</b>			
675	For gangable, 2-1/2" deep boxes	20	IIIIIIII
676	For gangable, 3-1/2" deep boxes	20	IIIIIIII

BLOCK-LOC™ MASONRY BOXES



689B



695B



696B



697B



698B



786B



796B



899B

**BLOCK-LOC™ APPLICATIONS**

- For power and data outlets in masonry block walls

**BLOCK-LOC™ FEATURES**

- Integral brackets securely hold power and data outlets to concrete block from front and back in masonry block walls
- Quick and accurate positioning
- Break off front tabs

**COMPLIANCE**

- LISTED

CATALOG #	DESCRIPTION	CUBIC INCHES (CM <sup>3</sup> )	KNOCKOUTS			STD. PKG.	BAR CODE
			SIDES CONDUIT	ENDS CONDUIT	BOTTOM CONDUIT		
<b>BLOCK-LOC Masonry Boxes</b>							
689B	3-1/2" deep 1-gang, gangable	22.5 (368.7)	4 TKO®	2 TKO®	2 TKO®	18	
695B	3-1/2" deep 1-gang, welded	22.5 (368.7)	4 Conc.	4 Conc.	2 Conc.	18	
696B	3-1/2" deep 2-gang, welded	45.0 (737.4)	4 Conc.	8 Conc.	4 Conc.	12	
697B	3-1/2" deep 3-gang, welded	67.3 (1102.8)	4 Conc.	12 Conc.	3 Conc.	12	
698B	3-1/2" deep 4-gang, welded	89.8 (1471.6)	4 Conc.	16 Conc.	4 Conc.	6	
786B	4" Sq. 1-gang tile cover, 2" deep	14.5 (237.6)	—	—	—	25	
796B	4" Sq. 2-gang tile cover, 2" deep	20.5 (335.9)	—	—	—	20	
899B	4-11/16" Sq. 1-gang tile cover, 2" deep	16.0 (262.2)	—	—	—	12	

## BOX SUPPORT PRODUCTS

### BRACES AND BRACKETS - BETWEEN STUDS

#### APPLICATIONS

##### 9004R - 9006R, 9013R - 9015R

- RACO® Braces and extenders are used for metal or wood stud box positioning

#### PRODUCT FEATURES

- Available for 1-1/2" or 2-1/8" deep boxes
- Locator dimples on face of bar allows for exact positioning of single or multiple boxes
- Dimple feature provides quick start of screws, and reinforcement to prevent box mounting screws from stripping out when box is mounted
- Design of adjustable brace allows ground screw to clear when box is mounted
- Boxes attach easily with self-tapping screws

#### COMPLIANCE

- LISTED

#### APPLICATIONS - 9001, 9002

- Positions electrical boxes, plaster rings and low voltage devices between studs

#### PRODUCT FEATURES

- Fold-back stabilizer leg prevents bracket from being pushed back in wall cavity during drywall installation
- Designed for 2-1/2" or 3-1/2" studs.
- Mounts 4" or 4-11/16" sq. boxes
- Box can be mounted on ring without raised cover to save time by providing maximum work area inside box
- When mounted, raised cover is brought to within 1/16" of drywall everytime and will not bulge or break out drywall

#### COMPLIANCE

- LISTED



9013R, 9015R



9004R, 9006R



9001



9002

CATALOG #	DESCRIPTION	STD. PKG.	BARCODE
<b>Non-adjustable Box Mounting Brace – For 4" and 4-11/16" square box</b>			
9004R	For 16" stud spacing, 1-1/2" or 2-1/8" deep box	50	—
9006R	For 24" stud spacing, 1-1/2" or 2-1/8" deep box	50	—
<b>Adjustable Box Mounting Brace – For 4" and 4-11/16" square box</b>			
9013R	Adjusts from 10-3/8" to 18", 1-1/2" or 2-1/8" deep box	50	—
9015R	Adjusts from 15" to 26", 1-1/2" or 2-1/8" deep box	50	—
<b>Fixed Position Box Mounting Brackets – For 4" and 4-11/16" square box</b>			
9001	(3) Box, for 16" O. C. studs	50	—
9002	(4) Box, for 24" O. C. Studs	50	—

OPEN CENTER BRACKETS

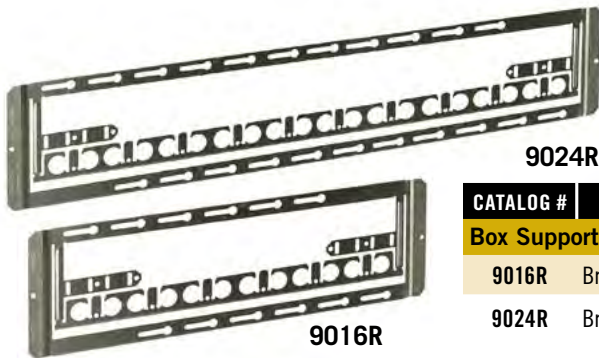


**APPLICATION**

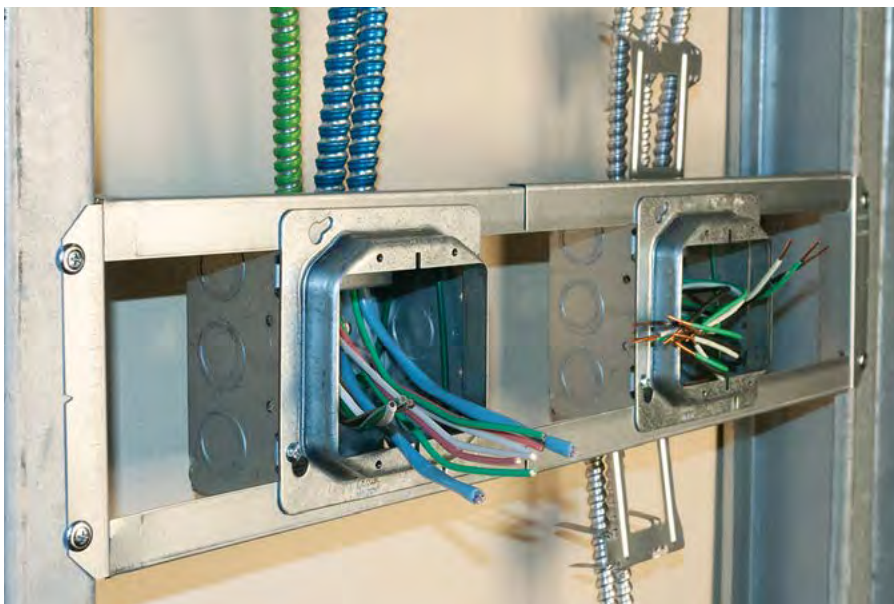
- Easily position and adjust electrical boxes and plaster rings between studs

**FEATURES**

- Accepts both 4" and 4-11/16" square boxes and plaster rings
- Opening gives installer flexibility of box position between studs
- Features built-in first means of support for securing and supporting flex and armored cable
- Built-in ruler to aid in alignment of electrical box



CATALOG #	DESCRIPTION	STD. PKG.	BARCODE
<b>Box Support Brackets</b>			
9016R	Bracket for 16" stud spacing	25	—
9024R	Bracket for 24" stud spacing	25	—



**APPLICATION**

- Perfect for commercial construction. Can be adjusted for use on stud spacing anywhere from 16-24". Accommodates 4" or 4-11/16" square boxes and plaster rings. Provides maximum flexibility for installers while reducing required SKU's on the jobsite

**FEATURES**

- Accepts 4" and 4-11/16" square boxes
- Large opening allows multiple boxes to mount anywhere in the space
- Rigid design eliminates need for far-side support
- Adjusts from 16" to 24"
- Can be cut for use in smaller spacing
- Centering marks for quick installation
- Use on wood or metal studs
- Galvanized steel construction

**COMPLIANCE**

- LISTED



CATALOG #	DESCRIPTION	STD. PKG.	BARCODE
<b>Adjustable Box Support Bracket</b>			
9020R	Adjustable Open Center Bracket for 16" to 24" stud spacing	25	—

## BOX SUPPORT PRODUCTS

### BRACKETS AND BOX SUPPORTS - ON STUDS

#### APPLICATIONS - 9018

- Supports electrical box when mounted to a stud

#### PRODUCT FEATURES

- Dual-point mounting, right or left of stud  
Perfect for prefab applications
- Mounts 4" or 4-11/16" sq. box to 2-1/2", 3-1/2" or 6" studs

#### COMPLIANCE

- LISTED

#### APPLICATIONS - SBRNRRAC

- Bracket supports electrical box when mounted to a stud

#### PRODUCT FEATURES

- Patented, built-in cable support accepts up to 3 MC cables (12-2MC to 10-4 MC)
- Mounts 4" sq. box left or right of stud
- Patented flip-out support accommodates wood and metal stud depths: 2-1/2", 3-1/2", 3-5/8", 5-1/2" and 6"

#### COMPLIANCE

- LISTED

#### APPLICATIONS - 980 BOX-LOC® & 978

(sold separately)

- Allows any 4" or 4-11/16" square metal box to be affixed to a metal stud quickly and easily. 978 Far Side Support prevents box from being pushed back in wall cavity

#### PRODUCT FEATURES

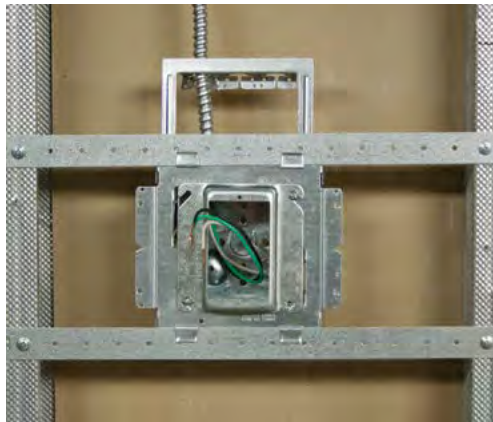
- 980 Patented spring-steel design installs in seconds without tools
- 978 simply snaps into hole in back of box and is easily cut to fit wall cavity

#### APPLICATIONS - SP2RAC

- Spanner bar SP2RAC works for 24" spans, works with both SBRNRRAC and S1CRAC bracket systems to provide support between two metal or wood studs
- Bars can be used in many mechanical support applications

#### PRODUCT FEATURES

- 1" high profile, 1/8" mounting holes, 1" O.C.
- Heavy 20 gauge .038" gauge pre-galvanized steel construction for secure and rigid support of boxes in wall cavity



SBRNRRAC



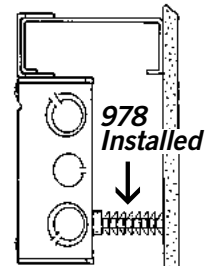
9018



BOX-LOC® 980



978



978 Installed



SP2RAC

CATALOG #	DESCRIPTION	STD. PKG.	BARCODE
<b>Two-point Box Mounting Brackets</b>			
9018	Left or right side stud mount	100	—
<b>Single Box Mounting Bracket with Cable Support – For MC/BX wiring systems</b>			
SBRNRRAC	Positions a 4" Sq. junction box between two studs	30	—
<b>BOX-LOC Metal Stud Clip</b>			
980	Spring steel bracket	50	
<b>Plastic Far Side Support</b>			
978	1-7/8" rigid, plastic support	50	—
<b>Between Stud Spanner Bar</b>			
SP2RAC	Spans 24" between two metal or wood studs	30	—



### BOX AND CABLE SUPPORTS - BETWEEN STUDS AND FLOOR



#### APPLICATIONS - 9009, 9010

- Supports electrical boxes from floor or concrete forms

#### PRODUCT FEATURES

- Fold back stabilizer prevents bracket from being pushed back in wall cavity during drywall installation
- Designed for mounting square boxes 12" or 18" above floor. Mounts to metal or wood plate.
- Mounts 4" or 4-11/16" square boxes
- Box can be mounted on support without drywall ring to save time by providing maximum working area in box
- When mounted, raised cover is brought to within 1/16" of drywall every time. Will not bulge or break out drywall

#### COMPLIANCE

- LISTED

#### APPLICATIONS - KS1RAC

- KS1RAC is designed to be used in conjunction with SBRNRRAC
- Adjusts the box assembly at various heights from floor 7" to 18" at 1 increments

#### PRODUCT FEATURES

- SBRNRRAC single box support brackets lock into KS1RAC using built in locator tabs
- Wrap under lip design and securing lock tab allows for KS1RAC to be positioned under stud for hands free installation of bracket/box assembly
- KS1RAC wall assembly can be easily located behind closed wall with built in locator tab that can be seen once drywall is in place
- Heavy 20 guage .038" gauge pre-galvanized steel construction for secure and rigid support of boxes in wall cavity

#### COMPLIANCE

- LISTED

#### APPLICATIONS - CS1RAC & CS2RAC

- CS1RAC and CS2RAC are used to organize runs of MC or BX cables with spacing for NEC requirements that eliminate the need for derating
- Flexibility allows for multiple mounting applications

#### PRODUCT FEATURES

- Cable holders can be mounted in multiple configurations - wall/surface, hung by 1/4" all threaded rod, top of wall mounted or deck mounted

- Easy to use, integrated locking tabs hold cable securely in place - snap cable in, no additional hardware required to hold cables in place
- Cable holders accept cable ranges 12-2MC to 10-4MC
- Heavy 20 guage .038" gauge pre-galvanized steel construction for secure and rigid support of boxes in wall cavity

#### COMPLIANCE

- LISTED

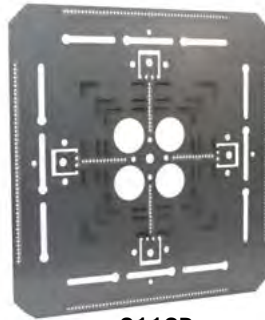
CATALOG #	DESCRIPTION	STD. PKG.	BARCODE
<b>Floor Mounted Box Support</b>			
9009	12" tall bracket	25	—
9010	18" tall bracket	25	—
<b>Floor Mount Kick Stand – Adjustable</b>			
KS1RAC	Spans 16" between two metal or wood studs	20	—
<b>MC/BX Cable Holder</b>			
CS1RAC	16" -10 Cabke positions	36	—
CS2RAC	24" - 24" Cabke positions	40	—

## BOX SUPPORT PLATES

**NEW!**



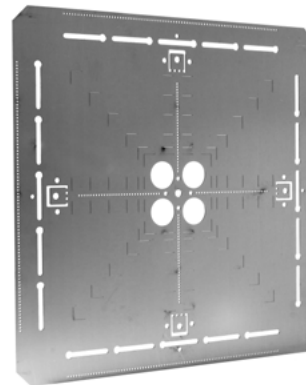
### BOX SUPPORTS - CEILING



9112R



9112RL



9118R

#### APPLICATIONS

- RACO® box support and conduit positioning plates offer flexible options for quickly hanging electrical boxes in commercial or industrial overhead applications. **Also provides a means of positioning for conduit exiting the box.** Create a clean, organized and strong installation that saves time and materials compared to traditional suspended procedures.

Two 12" models accommodate up to 6" x 6" boxes. Larger 18" model can hold multiple 4" square boxes, or larger boxes up to 12" x 12", including our Grand Slam junction box.

#### PRODUCT FEATURES

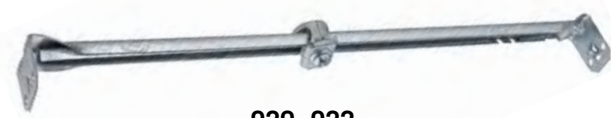
- Mount horizontally or vertically from a single 3/8" threaded rod
- Bendable tabs secure plate in vertical installation
- Multiple markings for easier box alignment
- Pre-punched holes for rear raceway access
- Holes and slots provide limitless options for clamp or strap installation
- Lanced feature on 9112RL for easier one-hole strap installation
- Constructed of 16 gauge galvanized steel
- cULus Listed

#### COMPLIANCE

- LISTED

CATALOG #	DESCRIPTION	STD. PKG.	BARCODE
<b>12" x 12" Square Box &amp; Conduit Hangers</b>			
9112R	Flat plate, 16 gauge galvanized steel	10	—
9112RL	Lanced plate, 16 gauge galvanized steel	10	—
<b>16" x 16" Square Box &amp; Conduit Hangers</b>			
9118R	Flat plate, 16 gauge galvanized steel	5	—

### BOX SUPPORTS - CEILING



920, 922



991



#### APPLICATION - 920, 922

- RACO® Adjustable bar hanger allows box to be placed between ceiling joists or wall studs quickly and easily

#### PRODUCT FEATURES

- Both RACO® 920 and 922 bar fixture hangers allow box to be located anywhere along length of bar
- 920, 922 Clip installs in 1/2" knockout located in bottom (back) of box
- RACO® box must be ordered separately

#### BOX INSTALLATION

- Bar hangers attach to octagon or square boxes through center 1/2" knockouts
- Remove knockout from box, also the screw and fixture clip from bar hanger
- When box is located accurately between joists, tighten the screw securely

#### KWIK-HANG™ APPLICATIONS

- Designed to support 4" square, 4-11/16" square, round, or octagon boxes in hanging applications
- Uses existing holes in bottom of box for quick installation

#### KWIK-HANG™ FEATURES

- Use with cable, wire, chain, strut (not included) to secure from building structure
- Quick installation
- Locks securely into position
- Durable steel construction
- Installation instructions included

#### COMPLIANCES

- cULus Listed for static fixtures load of 50 lbs or less
- Satisfies NEC 300.11 for box support
- LISTED for static fixtures load of 50 lbs or less

CATALOG #	DESCRIPTION	RECOMMENDED MAX. LOADS		STD. PKG.	BAR CODE
		CEILING FAN (DYNAMIC) LBS.	FIXTURE (STATIC) LBS.		
<b>Adjustable Bar Hangers</b>					
920	Clip, adjusts 14-1/4" to 22-1/2"	No	10**	25	
922	Clip, adjusts 14-1/4" to 22-1/2"	No	10**	50	—

\*\*UL rated at 16" span on center for 50 lbs.

CATALOG #	DESCRIPTION	STD. PKG.	BARCODE
<b>Box Support Products</b>			
991	KWIK-HANG™ box support hanger	50	—

## ACCESSORIES FOR STEEL BOXES

### “OLD WORK SADDLE” APPLICATION - 970RAC

- The “Old Work Saddle” 907RAC is designed to be used with 2-1/2" deep switch boxes that have plaster ears

### “OLD WORK SADDLE” PRODUCT FEATURE

- 970RAC installs into the 1/2" bottom conduit knockout

### GRIP-LOK® APPLICATION 977, 8977, 8977-5

- The GRIP-LOK support is designed to be used with any deep switch box that has plaster ears

### GRIP-LOK® PRODUCT FEATURE

- Simply slip GRIP-LOK between box and wall, then bend tabs into the box

### APPLICATION - 9008, 9017

- Mounts standard low voltage wall plates, old work (existing walls)

### PRODUCT FEATURES

- For use on low voltage Class 2 circuits only where electrical boxes are not required
- Can be used to mount telephone jacks, computer outlets, security/sound systems, television antennas, etc.
- Fast, precise mounting of low voltage wall plates to walls or studs

### COMPLIANCE

- cUL<sub>US</sub> LISTED

### ADD-A-DEPTH APPLICATIONS - 976

- Add-A-Depth ring or “goof ring” is designed to act as a barrier between combustible wall surfaces and the wiring system
- For single and two-gang device boxes
- There is no UL standard for this product
- Subject to acceptance by an electric inspector

### NEC CODE 314.20

- See page A(3) 2017 Standards

### COMPLIANCE

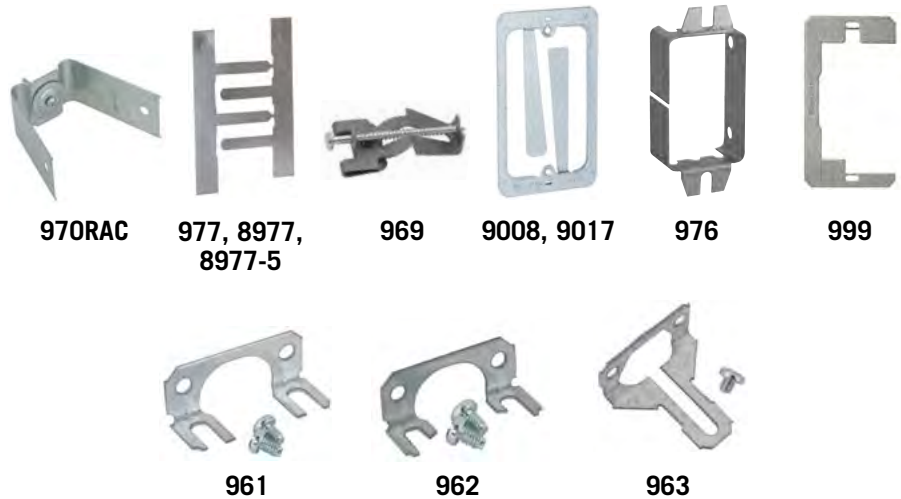
- cUL<sub>US</sub> LISTED

### APPLICATION - 969

- Old work box support clips convert standard switch box to old work type

### PRODUCT FEATURE

- Old work switch box clips for use with 1/2" thick standard drywall



CATALOG #	DESCRIPTION	STD. PKG.	BARCODE
<b>Switch Box Support "Old Work Saddle"</b>			
970RAC	Mounts switch boxes w/ plaster ears in hollow walls or ceilings	10	
<b>GRIP-LOK® "Old Work" Switch Box Support</b>			
977	Supplied as a pair to mount switch box with plaster ears in a hollow wall, 1-7/8" long legs	100 pairs	—
8977	Supplied as a pair to mount switch box with plaster ears in a hollow wall, 1-7/8" long legs	25 pairs	
8977-5*	Supplied as a pair to mount switch box with plaster ears in a hollow wall, 1-7/8" long legs	100 pairs	
<b>Old Work Switch Box Clips</b>			
969	Old Work clips for switch boxes, 1/2" sheetrock	50 pairs	
<b>Low Voltage Mounting Bracket</b>			
9008	New or Old Work 1-gang	100	—
9017	New or Old Work 1-gang	20 Bags**	
<b>Add-A-Depth Ring</b>			
976	Adjustment range 1/4" - 1", two 1-1/8" screws included	25 Bags	
<b>Device Leveling Plate</b>			
999	FLUSH-FIT device leveler	50	—

\*4 Bundles of 25 – sold in carton quantities only

\*\*2 Brackets per polybag

CAT. #	DESCRIPTION	FOR RACO® SWITCH BOXES	STD. PKG.	BAR CODE
<b>Switch Box Support "Old Work Saddle"</b>				
961	Plaster ears - open style with screws	410, 420, 440, 445, 500, 503, 506, 508, 526, 545, 560, 565, 567, 570RAC, 590, 600, 601	100	
962	Plaster ears - clipped style with screws	150, 400, 591	100	
963	Plaster ears - 1 screw style with screws	471, 487, 517, 518, 519, 523	100	—

### CABLE PROTECTOR PLATES



CAT. #	CONTRACTOR PACK	DESCRIPTION	LENGTH	MATERIAL THICKNESS	STD. PKG.	BAR CODE
<b>Cable Protector Plates - For wood studs</b>						
2712	—	PUZZLE-PLATE / gangable	2-3/4"	.0510"	100	
2712-9R	Yes	PUZZLE-PLATE / gangable	2-3/4"	.0625"	50	—
2712R	—	PUZZLE-PLATE / gangable	2-3/4"	.0625"	100	
2713R	—	PUZZLE-PLATE / gangable	5"	.0625"	50	
2709	—	Standard type / nongangable	2-9/16"	.0625"	100	
2709-9	Yes	Standard type / nongangable	2-9/16"	.0625"	100	—
2710	—	Standard type / nongangable	2-9/16"	.0625"	200	—

CAT. #	DESCRIPTION	DEVICE PROTECT	STD. PKG.
<b>Raised or Flat Device &amp; Wire Protection Plates</b>			
701AJT	3/4" raised, for 1 device adjustable mudring	GFI, Duplex, Switch	24
702AJT	3/4" raised, for 2 device adjustable mudring	GFI, Duplex, Switch	24
701R	3/4" raised, for 1 device mudring	GFI, Duplex, Switch	24
702R	3/4" raised, for 2 device mudring	GFI, Duplex, Switch	24
701F	Flat, for 1 device mudring	Opening and Wires	100
702F	Flat, for 2 device mudring	Opening and Wires	50
700F	Flat, round 2-3/4" O.C. opening mudring	Opening and Wires	50
701RD	Gangable for RACO 686, 687, & RACO nongangable masonry boxes	For Caddy® MP1S	24
702RD	3/4" raised, low voltage	For Caddy® MP2S	24
701FD	3/4" raised, low voltage	For Caddy® MP1S	50
702FD	3/4" raised, low voltage	For Caddy® MP2S	50
701FG	Flat, gangable for 686, 687, RACO gang masonry boxes	Opening and Wires	100

#### APPLICATION - 701AJT - 701FG

- RACO® protector plates eliminate drywall compound, debris, paint and drywall router bit from entering box or damaging device or conductors

#### PRODUCT FEATURES

- Raised - covers protect Decora, duplex and switch devices

- Flat - covers close off mudring opening to protect wiring from drywall's router bit tools
- Feature patented wire retrieval loop to hold data wire in place

#### PUZZLE-PLATE® CABLE PROTECTORS APPLICATION - 2712 - 2713R

- Protects nonmetallic sheathed cable or raceway type wires running through wood studs from accidental nail, screw, or drill penetration. Also applies to plumbing to protect nonmetallic piping

#### PUZZLE-PLATE® PRODUCT FEATURES

- Innovative, interlocking design does not allow nail or screw penetration through gaps or holes
- Pre-galvanized steel construction for added corrosion protection
- No additional hardware required, just position and hammer down spurs
- Unique interlocking feature allows installer to easily increase area that requires protection

#### COMPLIANCE

- LISTED (not 2712, 2712-9, 2713)

#### NAILING SPUR APPLICATIONS - 2709, 2710

- Protects nonmetallic sheathed cable or raceway type wires running through wood members from accidental nail, screw or drill penetration
- No nails required

#### PRODUCT FEATURE

- Old work

#### COMPLIANCE

- LISTED

## ACCESSORIES FOR STEEL BOXES

### BOX GROUNDING PRODUCTS



982, 994 #14 Wire,  
996, 8996-1, 8983-1,  
983 #12 Wire

984

992 #14 Wire  
993 #12 Wire

998,  
8998-1

973,  
8973-1

975,  
8975-1

#### GROUNDING APPLICATIONS

- RACO® Grounding accessories provide a safe electrical path to ground to help prevent shock
- RACO® Grounding screws thread into the box and provide a means of fastening the ground conductor
- Ground wires fasten to the box and are then connected to wiring system or wiring device
- RACO® 6" and 8" ground pigtailed feature 4-way (slotted, phillips, hex-head) combo 10-32 captive screw
- Ground clips provide a quick method of fastening a ground conductor to the edge of a steel outlet box
- Ground clips are designed for use with solid No. 14, 12, and 10 gauge copper conductor or No. 12 and 10 gauge aluminum conductor
- Only one solid ground wire to be installed per ground clip

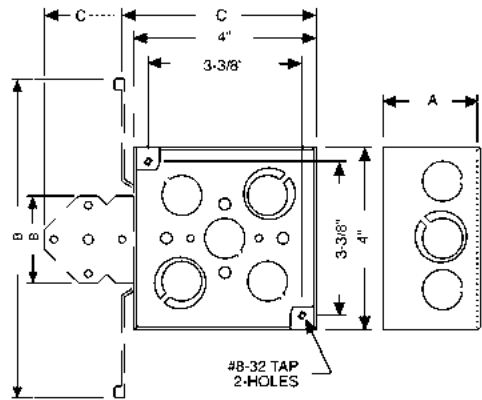
CAT. #	WIRE LENGTH	DESCRIPTION	STD. PKG.	BAR CODE
	6" 8"			
<b>Grounding Pigtailed</b>				
982 994		#14 Solid insulated copper wire, captive 4-way combo head green dye finish ground screw one end (25 pc. bundles)	1000	—
983 996		#12 Solid insulated copper wire, captive 4-way combo head green dye finish ground screw one end (25 pc. bundles)	1000	—
8983-1 8996-1		#12 Solid insulated copper wire, captive 4-way combo head green dye finish ground screw one end, poly bag (10 pc. per bag)	40 Bags*	
984		#14 Solid bare copper wire, captive 4-way combo head green dye finish ground screw one end (25 bundles)	1000	—
992		#14 Stranded insulated copper wire, captive 4-way combo head green dye finish ground screw one end, spade terminal one end (100 pc. bundles)	500	—
993		#12 Stranded insulated copper wire, captive 4-way combo head green dye finish ground screw one end, spade terminal one end (100 pc. bundles)	500	—

CAT. #	DESCRIPTION	STD. PKG.	BAR CODE
<b>Grounding Screws and Clips</b>			
988	4-way combo head green dye finish 3/8" ground screw for 10-32 tapped hole, clam shell packaged (100 pc. per clam shell)	1000	
8998-1	4-way combo head green dye finish 3/8" ground screw for 10-32 tapped hole, poly bag (10 pc. per bag)	50 Bags*	
973	Slotted head green dye finish 3/8" ground screw for 10-32 tapped hole, clam shell package (100 pc. per clam shell)	1000	
8973-1	Slotted head green dye finish 3/8" ground screw for 10-32 tapped hole, poly bag (10 pc. per bag)	50 Bags*	
975	Green dye finish ground clip for #14-#10 AWG copper, clam shell package (100 pc. per clam shell)	1000	
8975-1	Green dye finish ground clip for #14-#10 AWG copper, poly bag (10 pc. per bag)	50 Bags*	

\*Order standard package bag quantities only, not per piece

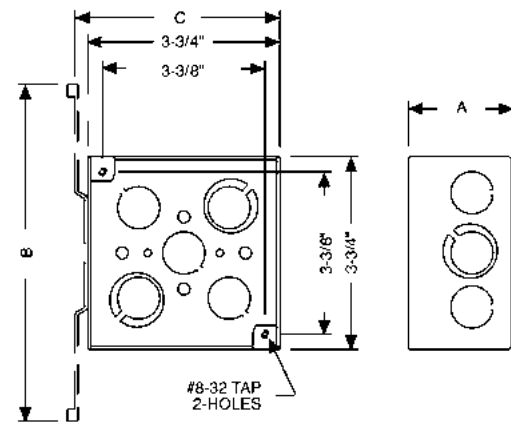
SQUARE BOXES

4" SQUARE CONDUIT BOXES



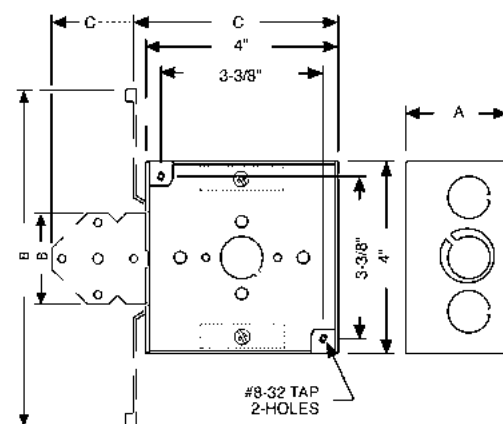
CAT. #	DIMENSIONS		
	A (INSIDE)	B	C
181	1-1/2"	-	-
185	1-1/4"	-	-
187	1-1/2"	-	-
199	1-1/2"	6-7/8"	4-3/8"
202	1-1/2"	-	-
204	1-1/2"	-	-
207	2-1/8"	-	-
226	1-1/2"	-	-
227	1-1/2"	4-5/8"	5-1/2"
236	2-1/8"	7-5/8"	4-3/8"
237	2-1/8"	7-5/8"	4-3/8"
238	2-1/8"	4-5/8"	5-1/2"
239	2-1/8"	-	-
251	2-1/8"	1-31/32"	6"
8197	1-1/2"	7-3/8"	4-3/8"
189, 8189	1-1/2"	-	-
189F	1-1/2"	-	-
189H	1-1/2"	3-1/8"	4-15/16"
189HS	1-1/2"	3-1/8"	4-15/16"
189HWP	1-1/2"	3-1/8"	4-15/16"
189M	1-1/2"	3-1/8"	4-15/16"
189RAC	1-1/2"	-	-
189SM	1-1/2"	-	-
190, 8190	1-1/2"	-	-
191, 8191	1-1/2"	-	-
192, 8192	1-1/2"	-	-
192SM	1-1/2"	-	-
193, 8193	1-1/2"	1-31/32"	6"
196, 8196	1-1/2"	6-7/8"	4-3/8"
201, 8201	1-1/2"	-	-
203, 8203	1-1/2"	-	-
208, 8208	1-1/2"	6-13/16"	5-15/16"
231, 8231	2-1/8"	-	-
232, 8232	2-1/8"	-	-
232F	2-1/8"	-	-
232H	2-1/8"	3-1/8"	4-15/16"
232HS	2-1/8"	3-1/8"	4-15/16"
232HWP	2-1/8"	3-1/8"	4-15/16"
232M	2-1/8"	7"	4-15/16"
232-OW	2-1/8"	-	-
232RAC	2-1/8"	-	-
232SM	2-1/8"	-	-
233, 8233	2-1/8"	-	-
235, 8235	2-1/8"	7"	4-5/16"
911-3	2-1/8"	-	-
911-4	2-1/8"	7-5/8"	4-3/8"
911-6	1-1/2"	-	-
911-9	1-1/2"	-	-

3-3/4" SQUARE CONDUIT BOXES



CAT. #	DIMENSIONS		
	A (INSIDE)	B	C
255	3-1/2"	7-5/8"	3-3/4"
911-1	3-1/2"	7-5/8"	3-3/4"
256	3-1/2"	-	-
911-2	3-1/2"	-	-

4" SQUARE CABLE BOXES

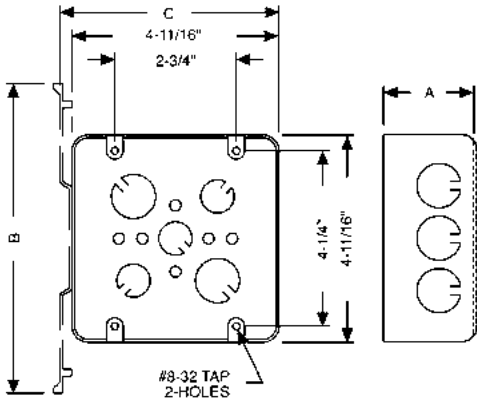


CAT. #	DIMENSIONS		
	A (INSIDE)	B	C
223	1-1/2"	6-7/8"	4-3/8"
224	1-1/2"	1-31/32"	6"
225	1-1/2"	1-31/32"	6"
228	1-1/2"	4-5/8"	5-1/2"
229	1-1/2"	4-5/8"	5-1/2"
242	2-1/8"	-	-
243	2-1/8"	4-5/8"	5-1/2"
248	1-1/2"	-	-
249	2-1/8"	1-31/32"	6"
211, 8211	1-1/2"	-	-
213, 8213	1-1/2"	-	-
213HWP	1-1/2"	3-1/8"	4-15/16"
218, 8218	1-1/2"	6-7/8"	4-3/8"
240, 8240	2-1/8"	7"	4-5/16"
241, 8241	2-1/8"	7"	4-5/16"
248HWP	2-1/8"	3-1/8"	4-15/16"

## DETAILED DRAWINGS

### SQUARE BOXES

#### 4-11/16" SQUARE CONDUIT BOXES

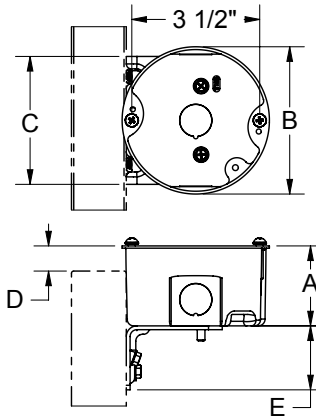


CAT. #	DIMENSIONS		
	A (INSIDE)	B	C
245	1-1/2"	-	-
246	1-1/2"	-	-
247	1-1/2"	-	-
250	1-1/2"	-	-
254	2-1/8"	7-5/8"	5-1/16"
258	2-1/8"	-	-
259	2-1/8"	-	-
260	3-1/4"	-	-
262	2-1/8"	-	-
266	2-1/8"	4-5/8"	6-3/16"
257, 8257	2-1/8"	-	-
257F	2-1/8"	-	-
257H	2-1/8"	-	-
257HS	2-1/8"	-	-
257M	2-1/8"	-	-
257SM	2-1/8"	-	-
258SM	2-1/8"	-	-
265, 8265	2-1/8"	-	-
911-12	2-1/8"	-	-
911-15	3-1/4"	-	-

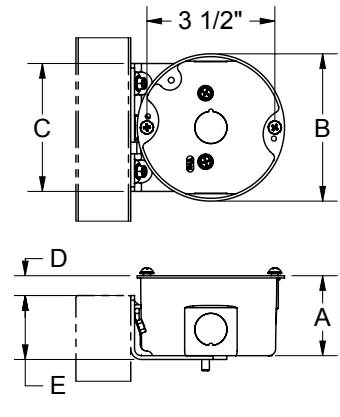
### CEILING FAN SUPPORT PRODUCTS

#### CEILING FAN SUPPORT BOXES

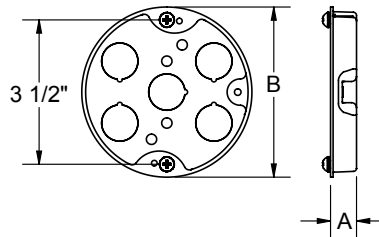
##### 291-1, 294, 294-1 (New Work)



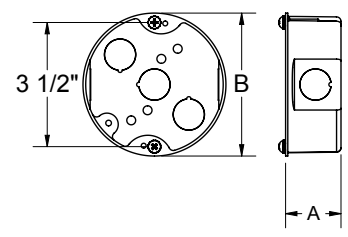
##### 294, 294-1 (Old Work)



##### 295 and 295-1



##### 296 - 299

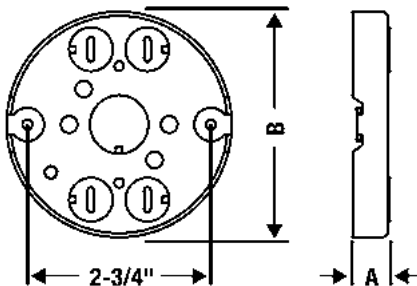


CAT. #	DIMENSIONS				
	A (INSIDE)	B	C	D	E
291-1	1-1/2"	4"	3-1/2"	1/2"	1-3/4"
294, 294-1	2-1/8"	4"	3-1/2"	1/2"	1-3/4"
295, 295-1	1/2"	4"	-	-	-
296, 296-1	1-1/2"	4"	-	-	-
299	2-1/8"	4"	-	-	-

### CEILING PANS

#### CEILING PANS - 3-1/2"

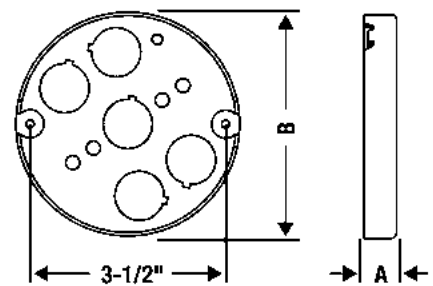
287, 292 AND 8292



CAT. #	DIMENSIONS	
	A (INSIDE)	B
287	11/16"	3-3/8"
292	1/2"	3-3/8"
8292	1/2"	3-3/8"
293	1/2"	4"
8293	1/2"	4"

#### CEILING PANS - 4"

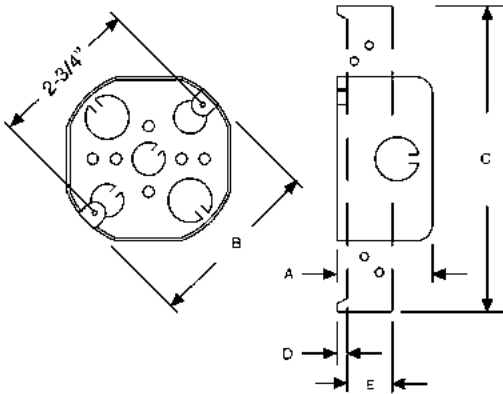
293 and 8293





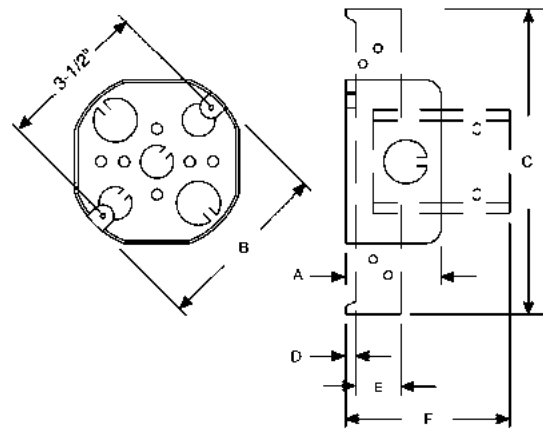
OCTAGON BOXES

3-1/2" OCTAGON BOXES



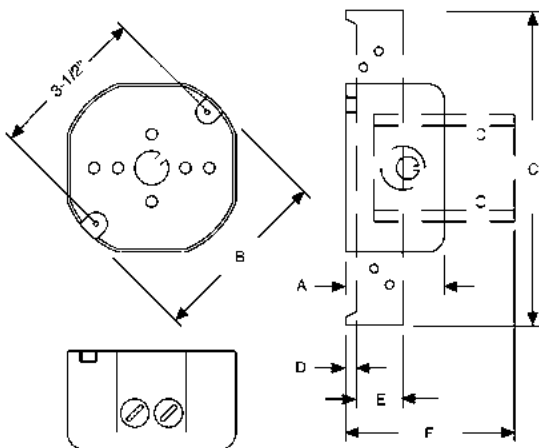
CAT. #	DIMENSIONS				
	A (INSIDE)	B	C	D	E
110	1-1/2"	3-1/2"	-	-	-
111	1-1/2"	3-1/2"	-	-	-
112	1-1/2"	3-1/2"	-	-	-
119	1-1/2"	3-1/2"	7"	-	1-1/16"

4" OCTAGON CONDUIT BOXES



CAT. #	DIMENSIONS					
	A (INSIDE)	B	C	D	E	F
125, 8125	1-1/2"	4"	-	-	-	-
126	1-1/2"	4"	-	-	-	-
127	1-1/2"	4"	-	-	-	-
127TS	1-1/2"	4"	7"	1/2"	1-1/16"	-
128	1-1/2"	4"	-	-	-	-
130	1-1/2"	4"	-	-	-	-
131RAC	1-1/2"	4"	-	-	-	-
158	1-1/2"	4"	2-3/8"	-	-	3-1/8"
165	2-1/8"	4"	-	-	-	-
166	2-1/8"	4"	-	-	-	-
161	1-1/2"	4"	7"	1/2"	1-1/16"	-
167	2-1/8"	4"	-	-	-	-
167TS	2-1/8"	4"	7"	1/2"	1-1/16"	-

4" OCTAGON CABLE BOXES

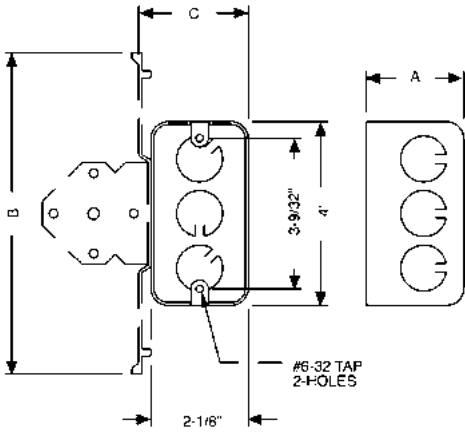


CAT. #	DIMENSIONS					
	A (INSIDE)	B	C	D	E	F
145	1-1/2"	4"	-	-	-	-
146	1-1/2"	4"	-	-	-	-
150	1-1/2"	4"	-	-	-	-
153	1-1/2"	4"	-	-	-	-
155	1-1/2"	4"	7"	1/2"	1-1/16"	-
157	1-1/2"	4"	2-3/8"	-	-	3-1/8"
160	1-1/2"	4"	2-3/8"	-	-	3-1/8"
164	1-1/2"	4"	7"	1/2"	1-1/16"	-
175	2-1/8"	4"	-	-	-	-
176	2-1/8"	4"	2-3/8"	5/8"	-	3-3/4"
177	2-1/8"	4"	7"	1/2"	1-1/16"	-

## DETAILED DRAWINGS

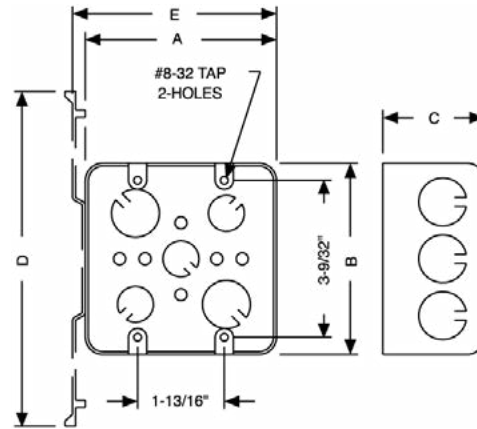
### HANDY BOXES AND SWITCH BOXES

#### HANDY BOXES



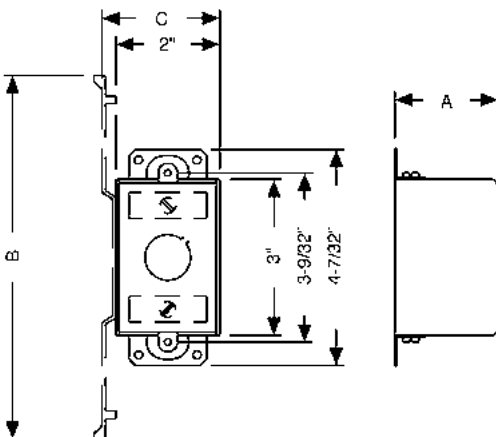
CAT. #	DIMENSIONS		
	A (INSIDE)	B	C
661	1-7/8"	6-7/16"	2-7/32"
662	1-7/8"	7"	2-3/8"
655	1-1/2"	1-31/32"	4-1/8"
670RAC	2-1/8"	-	-
8670	2-1/8"	-	-
674	2-1/8"	-	-
678	2-1/8"	7"	2-3/8"
650, 8650	1-1/2"	-	-
650CSA	1-1/2"	-	-
653	1-1/2"	-	-
660, 8660	1-7/8"	-	-
611	1-7/8"	-	-
660SM	1-7/8"	-	-
663, 8663	1-7/8"	-	-
663SM	1-7/8"	-	-
665	1-7/8"	-	-
671	2-1/8"	6-7/16"	2-7/32"

#### 2-GANG HANDY BOXES / SWITCH BOXES



CAT. #	DIMENSIONS				
	A (INSIDE)	B	C	D	E
680	2-1/8"	4"	4"	-	-
681	2-1/8"	4"	4"	7"	4-9/32"
683	2-1/8"	4"	4"	-	-
685	2-1/8"	4"	4"	7"	4-9/32"

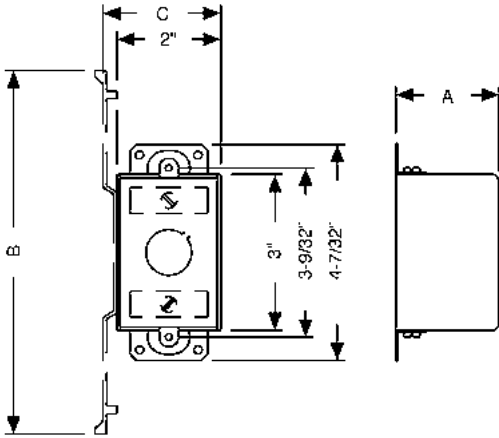
#### 1-GANG AND GANGABLE CONDUIT SWITCH BOXES



CAT. #	DIMENSIONS		
	A (INSIDE)	B	C
400	1-1/2"	-	-
420	2"	-	-
501	2-1/2"	-	-
502	2-1/2"	1-31/32"	4"
503	2-1/2"	-	-
505	2-1/2"	7"	2-13/64"
506	2-1/2"	-	-
508	2-1/2"	-	-
509	2-1/2"	-	-
560	2-3/4"	-	-
561	2-3/4"	-	-
562	2-3/4"	7"	2-13/64"
565	2-3/4"	-	-
591	3-1/2"	-	-
592	3-1/2"	-	-
500, 8500	2-1/2"	-	-
504, 8504	2-1/2"	7"	2-13/64"
590, 8590	3-1/2"	-	-

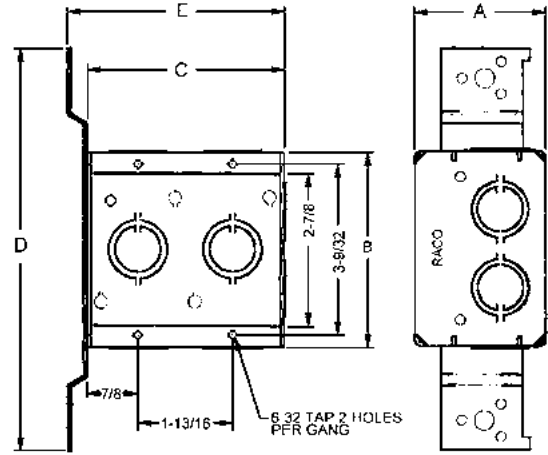
SWITCH BOXES

1-GANG AND GANGABLE CABLE SWITCH BOXES



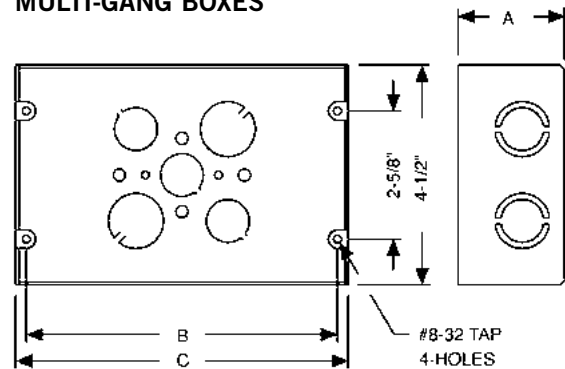
CAT. #	DIMENSIONS		
	A (INSIDE)	B	C
410	1-1/2"	-	-
440	2"	-	-
445	2"	-	-
471	2-1/4"	-	-
473	2-1/4"	-	-
487	2-1/4"	-	-
512	2-1/2"	-	-
517	2-1/2"	-	-
518	2-1/2"	-	-
519	2-1/2"	-	-
522	2-1/2"	1-31/32"	5-3/64"
523	2-1/2"	-	-
526	2-1/2"	1-3/8"	3-13/32"
528	2-1/2"	-	-
529	2-1/2"	1-31/32"	5-3/64"
531	2-1/2"	7"	2-13/64"
540	2-1/2"	1-31/32"	4"
545	2-1/2"	-	-
564	2-3/4"	7"	2-13/64"
567	2-3/4"	-	-
574	2-3/4"	7"	2-13/64"
600	3-1/2"	-	-
603	3-1/2"	1-31/32"	4"
604	3-1/2"	7"	2-13/64"
605	3-1/2"	7"	2-13/64"
524, 8524	2-1/2"	7"	2-13/64"
570RAC	2-3/4"	-	-
601, 8601	3-1/2"	-	-
601G	3-1/2"	-	-

MULTI-DEVICE SWITCH BOXES



CAT. #	DIMENSIONS				
	A (INSIDE)	B	C	D	E
686	2-1/2"	3-3/4"	5-9/16"	7-5/8"	5-31/32"
687	2-1/2"	3-3/4"	7-3/8"	7-5/8"	7-25/32"

MULTI-GANG BOXES

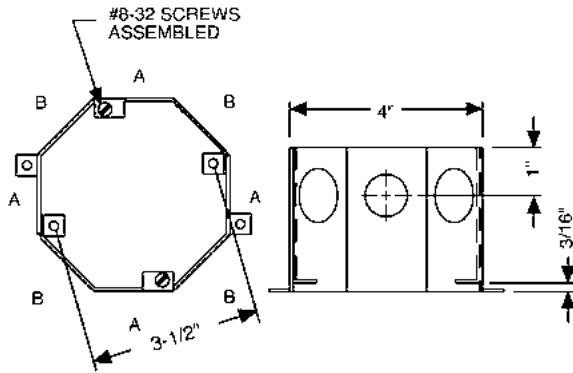


CAT. #	DIMENSIONS		
	A (INSIDE)	B	C
941	2-1/2"	6-3/8"	6-13/16"
942	2-1/2"	8-3/16"	8-5/8"
943	2-1/2"	10"	10-7/16"
944	2-1/2"	11-13/16"	12-1/4"
945	2-1/2"	13-5/8"	14-1/16"
951	1-5/8"	6-3/8"	6-13/16"
952	1-5/8"	8-3/16"	8-5/8"
953	1-5/8"	10"	10-7/16"
954	1-5/8"	11-13/16"	12-1/4"
955	1-5/8"	13-5/8"	14-1/16"
956	1-5/8"	15-7/16"	15-7/8"
957	1-5/8"	17-1/4"	17-11/16"
958	1-5/8"	19-1/16"	19-1/2"

DETAILED DRAWINGS

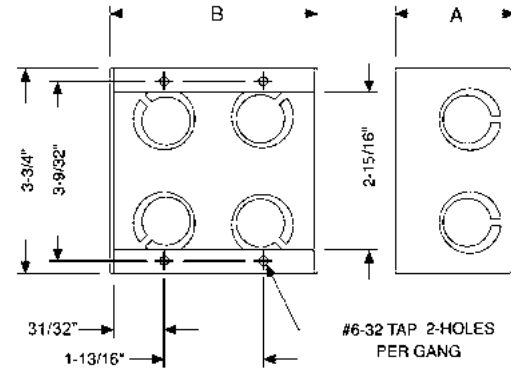
CONCRETE RINGS AND MASONRY BOXES

STEEL CONCRETE RINGS



KNOCKOUT SIZE	DIMENSIONS	
	A	B
1/2" & 3/4"	1/2"	3/4"
3/4" & 1"	3/4"	1"

STEEL MASONRY BOXES



CAT. #	DIMENSIONS	
	A (INSIDE)	B
688	2-1/2"	1-15/16"
690	2-1/2"	1-31/32"
691	2-1/2"	3-25/32"
692	2-1/2"	5-19/32"
693	2-1/2"	7-13/32"
694	2-1/2"	9-7/32"
960	2-1/2"	11-1/32"
689	3-1/2"	5-19/32"
695	3-1/2"	1-31/32"
8695	3-1/2"	1-31/32"
696	3-1/2"	3-25/32"
697	3-1/2"	5-19/32"
698	3-1/2"	7-13/32"
699	3-1/2"	9-7/32"
965	3-1/2"	11-1/32"