



COMMERCIAL, INDUSTRIAL AND RESIDENTIAL ELECTRICAL PRODUCTS

WRD REMOVABLE HINGE PIN

- FREESTANDING DISCONNECTS
- STAINLESS STEEL FREESTANDING
- DOUBLE DOOR FLOOR-MOUNT



Food & Beverage Processing, Washdown Areas, Corrosive Environments, Harsh Locations, Process, Automation, Waste Water Treatment, Oil/Gas Pharmaceutical, Mining, Coastal Installations



Application

Designed to protect electrical and electronic controls, components, and instruments in typical industrial environments. Enclosures protect equipment from dust, dirt and water. These enclosures are used in machine tool applications for housing motor starters, drives, contactors, PLC's, as well as a wide variety of other electrical and electronic equipment. The addition of 19 inch rack mounted accessories make these enclosures ideal for providing rugged protection for sensitive rack mounted components in harsh industrial environments.

Industry Standards

UL listed Types 3R, 4 and 12

NEMA Types 3R, 4 and 12

UL Classified IEC 60529 IP66

 UL File E64791, E470978

Features

- Fabricated from Carbon Steel and 304 Stainless Steel
- ANSI 61 Gray Polyester Powder Coat
- Heavy Duty 316 Stainless Steel Removable Hinges (patent pending)
- Continuously welded seams ground smooth
- Heavy duty lifting eyes for easy handling
- 3-point keylocking/padlocking combo handle
- Doors sealed with poured in place gasket
- Ground provisions provided
- Door opens 170°
- “Uni-strut” mounting channels are welded horizontally to interior body sides to allow back panels to be positioned in enclosure. Optional swing, half, full panels and rack angles can be mounted anywhere along “uni-strut” channel



**REMOVABLE
IN SECONDS**



Removable hinge for easy
Sub-panel installation and
door modifications

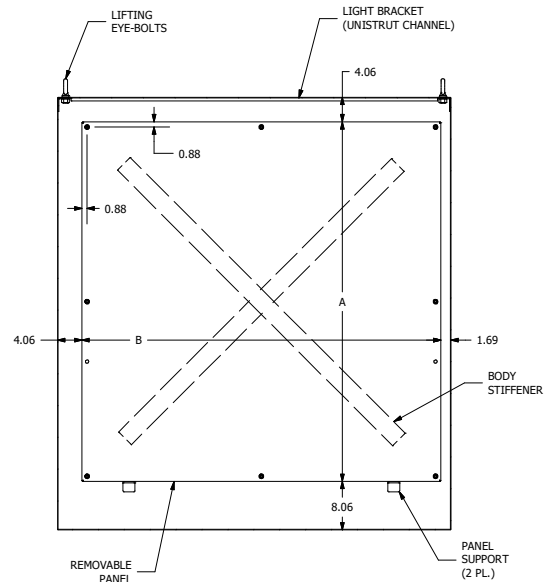
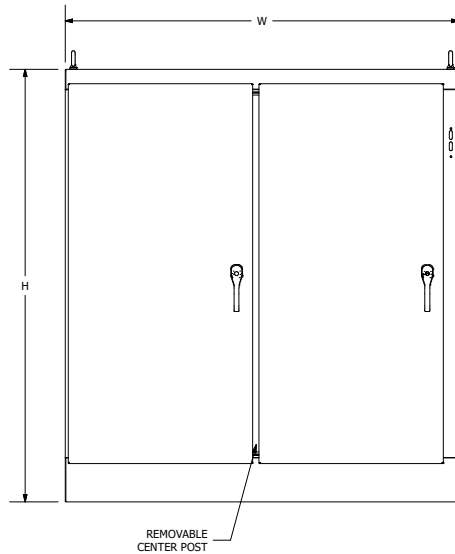
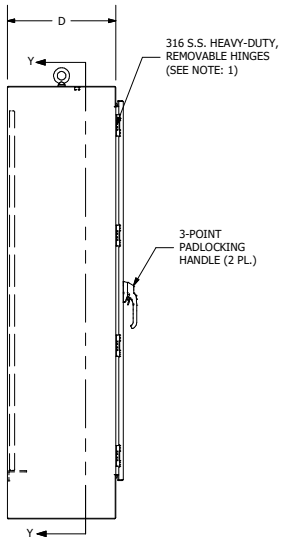
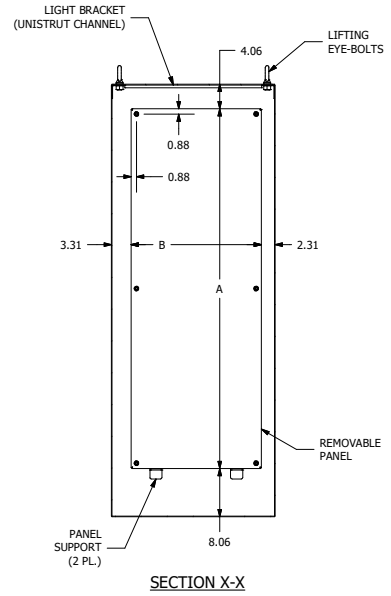
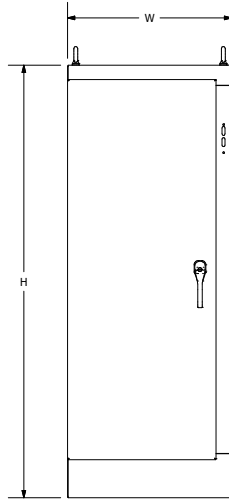
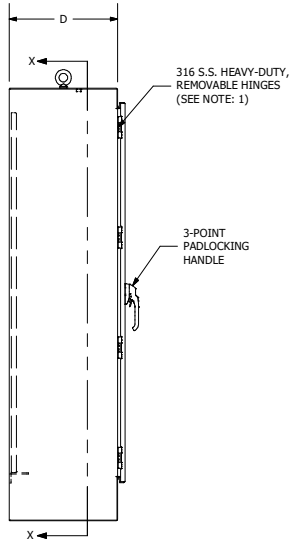
FREESTANDING DISCONNECT ENCLOSURES

WRD-XM-FS4 & FSD4 SINGLE AND DOUBLE DOOR DISCONNECTS,
HEAVY-DUTY REMOVABLE HINGE PINWRD-XM-FS4 & FSD4 SINGLE AND DOUBLE DOOR FREESTANDING
DISCONNECT, HEAVY-DUTY REMOVABLE HINGE PIN

CATALOG NUMBER	ENCLOSURE SIZE H X W X D	NUMBER OF HINGES
WRD72XM2718FS4	72 x 27 x 18	4
WRD72XM3318FS4	72 x 33 x 18	4
WRD72XM3918FS4	72 x 39 x 18	4
WRD84XM3918FS4	84 x 39 x 18	5
WRD90XM3920FS4	90 x 39 x 20	5
WRD90XM3924FS4	90 x 39 x 24	5
WRD72XM5318FSD4	72 x 53 x 18	4
WRD72XM6518FSD4	72 x 65 x 18	4
WRD72XM7718FSD4	72 x 77 x 18	4
WRD72XM7724FSD4	72 x 77 x 24	4
WRD84XM7718FSD4	84 x 77 x 18	5
WRD90XM7720FSD4	90 x 77 x 20	5
WRD90XM7724FSD4	90 x 77 x 24	5

FREESTANDING DISCONNECT ENCLOSURES

WRD-XM-FS4 & FSD4 SINGLE AND DOUBLE DOOR DISCONNECTS, HEAVY-DUTY REMOVABLE HINGE PIN



NOTES:
 1. FOUR HINGES ARE PROVIDED PER DOOR WHEN "H" = 72"
 FIVE HINGES ARE PROVIDED PER DOOR WHEN "H" = 84" OR 90"

STAINLESS STEEL FREESTANDING ENCLOSURES

WRD-FSN4 & FSDN4 SINGLE AND DOUBLE DOOR STAINLESS STEEL, HEAVY-DUTY REMOVABLE HINGE PIN

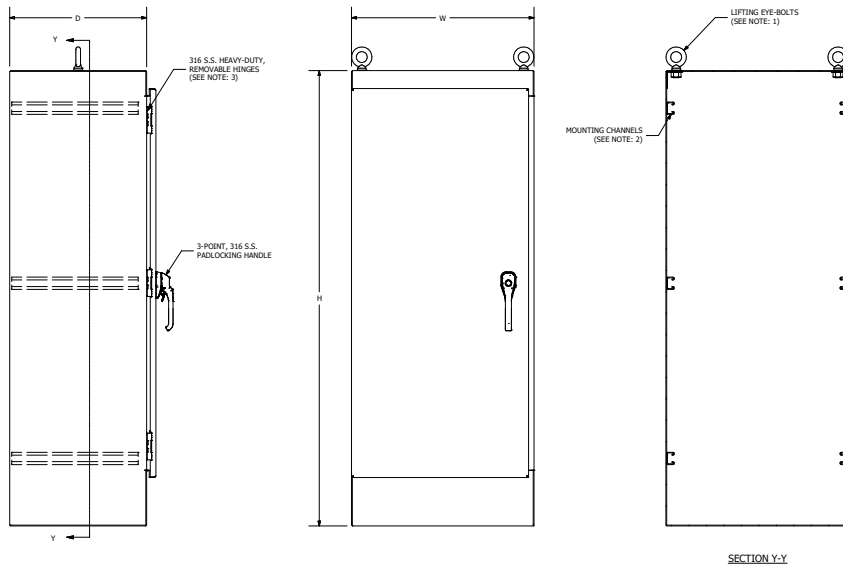
WRD-FSN4 & FSDN4 SINGLE AND DOUBLE DOOR STAINLESS STEEL FREESTANDING, HEAVY-DUTY REMOVABLE HINGE PIN

CATALOG NUMBER	ENCLOSURE SIZE H X W X D	NUMBER OF HINGES
WRD602418SSFSN4	60 x 24 x 18	3
WRD603624SSFSN4	60 x 36 x 24	3
WRD722418SSFSN4	72 x 24 x 18	4
WRD722424SSFSN4	72 x 24 x 24	4
WRD723018SSFSN4	72 x 30 x 18	4
WRD723024SSFSN4	72 x 30 x 24	4
WRD723618SSFSN4	72 x 36 x 18	4
WRD723624SSFSN4	72 x 36 x 24	4
WRD723630SSFSN4	72 x 36 x 30	4
WRD723636SSFSN4	72 x 36 x 36	4
WRD902420SSFSN4	90 x 24 x 20	5
WRD903620SSFSN4	90 x 36 x 20	5
WRD903624SSFSN4	90 x 36 x 24	5
WRD903636SSFSN4	90 x 36 x 36	5
WRD604818SSFSDN4	60 x 48 x 18	3
WRD724818SSFSDN4	72 x 48 x 18	4
WRD724824SSFSDN4	72 x 48 x 24	4
WRD726018SSFSDN4	72 x 60 x 18	4
WRD726024SSFSDN4	72 x 60 x 24	4
WRD726036SSFSDN4	72 x 60 x 36	4
WRD727218SSFSDN4	72 x 72 x 18	4
WRD727224SSFSDN4	72 x 72 x 24	4
WRD904820SSFSDN4	90 x 48 x 20	5
WRD907220SSFSDN4	90 x 72 x 20	5
WRD907224SSFSDN4	90 x 72 x 24	5
WRD907236SSFSDN4	90 x 72 x 36	5

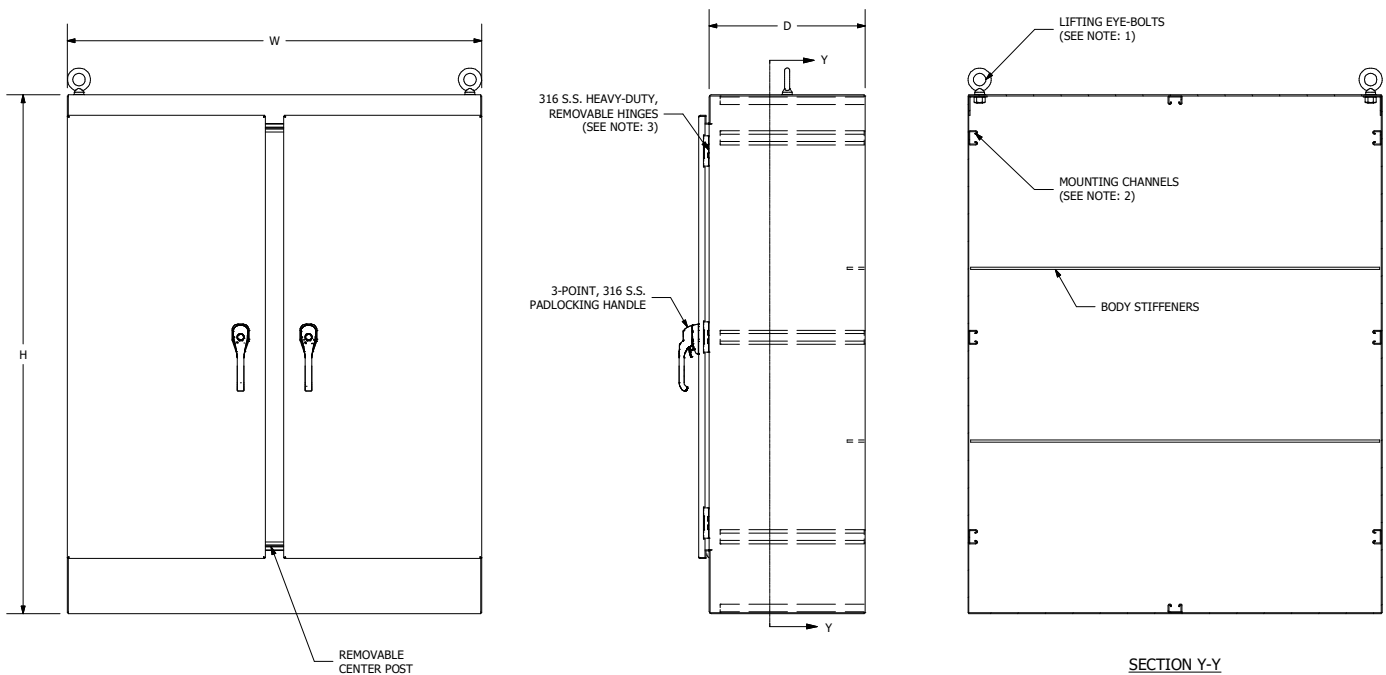


STAINLESS STEEL ENCLOSURES

WRD-FSN4 & FSDN4 SINGLE AND DOUBLE DOOR STAINLESS STEEL, HEAVY-DUTY REMOVABLE HINGE PIN



SECTION Y-Y



SECTION Y-Y

- NOTES:
1. FOUR LIFTING EYE-BOLTS ARE SUPPLIED WHEN "D" IS 30" OR GREATER.
 2. OPTIONAL PANEL(S) CAN BE MOUNTED ANYWHERE ALONG MOUNTING CHANNELS.
 3. THREE HINGES PER DOOR ARE PROVIDED WHEN "H" = 60"
FOUR HINGES PER DOOR ARE PROVIDED WHEN "H" = 72"
FIVE HINGES PER DOOR ARE PROVIDED WHEN "H" = 90"

DOUBLE DOOR FLOOR-MOUNT ENCLOSURES

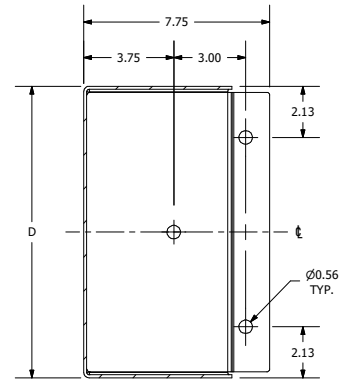
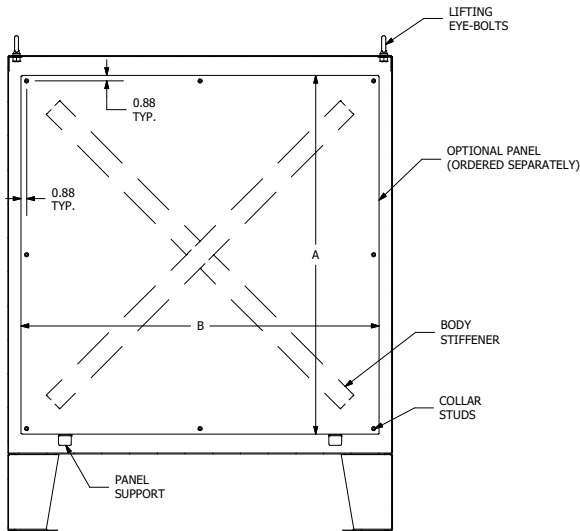
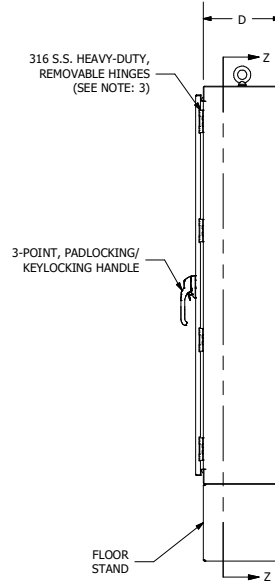
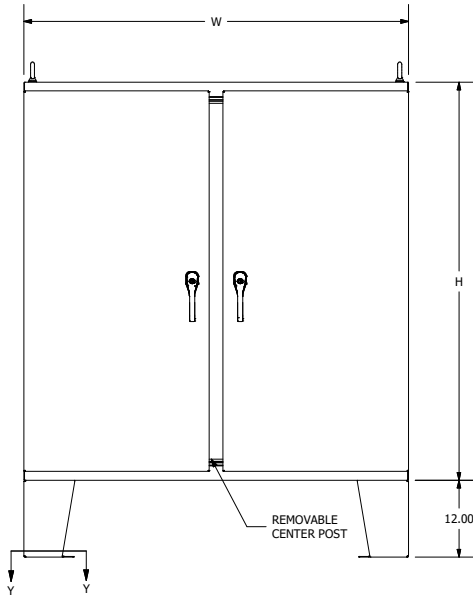
WRD-N4D3PT DOUBLE DOOR FLOOR-MOUNT, HEAVY-DUTY REMOVABLE HINGE PIN

WRD-N4D3PT DOUBLE DOOR FLOOR-MOUNT,
HEAVY-DUTY REMOVABLE HINGE PIN

CATALOG NUMBER	ENCLOSURE SIZE H X W X D	NUMBER OF HINGES
WRD624810N4D3PT	62 X 48 X 10	3
WRD626012N4D3PT	62 X 60 X 12	3
WRD746012N4D3PT	74 X 60 X 12	4
WRD747212N4D3PT	74 X 72 X 12	4
WRD746018N4D3PT	74 X 60 X 18	4
WRD747218N4D3PT	74 X 72 X 18	4
WRD747224N4D3PT	74 X 72 X 24	4

DOUBLE DOOR FLOOR-MOUNT ENCLOSURE

WRD-N4D3PT DOUBLE DOOR FLOOR-MOUNT, HEAVY-DUTY REMOVABLE HINGE PIN



SECTION Z-Z

SECTION Y-Y



COMMERCIAL CONSTRUCTION
A Division of Hubbell Incorporated (Delaware)

Wiegmann
Freeburg, IL 62243
618-539-3193

WIEGMANN®

© 2018 Hubbell. All rights reserved. Information subject to change. Trademarks are property of their respective owners.

hubbell.com/wiegmann/en

Hubbell Canada Inc. 905-839-1138
Hubbell de Mexico, S.A. de C.V. 52-55-9151-9999

WG_BRO_WRD
09/18