

# Section A Index

**SC Series**

NEMA 1 Screw-Cover Wall-Mount..... A2

**A Series**

NEMA 1 Hinged-Cover Wall-Mount..... A6

**N1C Series**"Small" NEMA 1 Hinged-Cover  
Wall-Mount ..... A8"Medium" NEMA 1 Hinged-Cover  
Wall-Mount ..... A10"Large" NEMA 1 Hinged-Cover  
Wall-Mount ..... A12

## NEMA 1 ENCLOSURES



**SC SERIES ENCLOSURES  
NEMA 1 SCREW-COVER WALL-MOUNT**



**SC060604**  
with SCF cover



**SC080806G**



**SC080806NK**

**Industry Standards**

UL 50, Type 1  
CSA Certified, Type 1 (See Note)  
NEMA/EEMAC Type 1

UL Files E23553

CSA File LL66078

**FEATURES-SPECIFICATIONS**

**Applications**

Designed for use as a junction box or pull box in commercial and general industrial applications. Flush covers must be ordered separately for flush-mount applications.

**Construction**

- Bodies and covers are fabricated from carbon steel or pre-galvanized steel (reference table)
- Flat, removable covers fastened with plated steel screws

- Cover design permits easy removal without extracting cover screws
- Mounting holes on the back of the enclosure
- Available with or without knockouts. Removable concentric knockouts on all four sides of standard enclosures with knockouts

**Finish**

- ANSI-61 gray polyester powder inside and out
- Unpainted pre-galvanized steel

**Optional Flush Covers**

Designed to mount on enclosure for flush installations. (See page A5)

- ANSI 61 gray polyester powder finish.
- Unpainted pre-galvanized steel

**Accessories**

- See pages L1-L24

**SC SERIES SCREW-COVER PULL BOX ENCLOSURES**

Catalog Number				Enclosure Size	Knockout Pattern	
Painted		Galvanized			Width Side	Height Side
W/Knockouts	W/O Knockouts	W/Knockouts	W/O Knockouts			
SC040404	SC040404NK	SC040404G	SC040404GNK	4.13x4.13x4.19 (105x105x106)	A	A
SC040604	SC040604NK	SC040604G	SC040604GNK	6.13x4.13x4.19 (156x105x106)	A	A-B-A
SC060604	SC060604NK	SC060604G	SC060604GNK	6.13x6.13x4.19 (156x156x106)	A-B-A	A-B-A
SC060804	SC060804NK	SC060804G	SC060804GNK	8.13x6.13x4.19 (207x156x106)	A-B-A	A-B-A
SC061004	—	—	—	10.13x6.13x4.19 (257x156x106)	A-B-A	B-A-F-F-A
SC061204	SC061204NK	SC061204G	SC061204GNK	12.13x6.13x4.19 (308x156x106)	A-B-A	B-A-F-F-A-B
SC080804	SC080804NK	SC080804G	SC080804GNK	8.13x8.13x4.19 (207x207x106)	A-B-A	A-B-A
SC081004	SC081004NK	SC081004G	SC081004GNK	10.13x8.13x4.19 (257x207x106)	A-B-A	B-A-F-F-A
SC081204	SC081204NK	SC081204G	SC081204GNK	12.13x8.13x4.19 (308x207x106)	A-B-A	B-A-F-F-A-B
SC101004	SC101004NK	SC101004G	SC101004GNK	10.13x10.13x4.19 (257x257x106)	B-A-F-F-A	B-A-F-F-A
SC101204	SC101204NK	SC101204G	SC101204GNK	12.13x10.13x4.19 (308x257x106)	B-A-F-F-A	B-A-F-F-A-B
SC121204	SC121204NK	SC121204G	SC121204GNK	12.13x12.13x4.19 (308x308x106)	B-A-F-F-A-B	B-A-F-F-A-B
SC121504	SC121504NK	SC121504G	SC121504GNK	15.13x12.13x4.19 (384x308x106)	B-A-F-F-A-B	A-B-A-F-F-A-B-A
—	SC121604NK	—	—	16.13x12.13x4.19 (410x308x106)	B-A-F-F-A-B	A-B-A-F-F-A-B-A

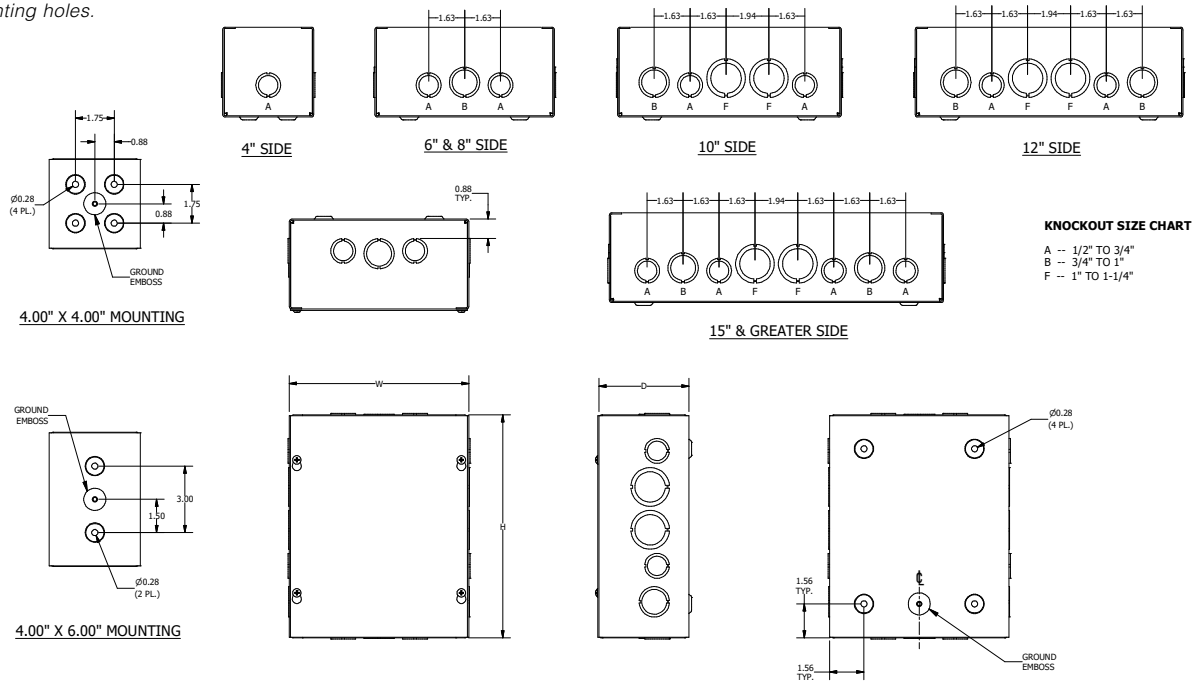
continued on page A3

**SC SERIES SCREW-COVER PULL BOX ENCLOSURES (CONT.)**

Catalog Number				Enclosure Size	Knockout Pattern	
Painted	Galvanized		Width Side		Height Side	
W/Knockouts	W/O Knockouts	W/Knockouts	W/O Knockouts			
SC121804	SC121804NK	SC121804G	SC121804GNK	18.13x12.13x4.19 (461x308x106)	B-A-F-F-A-B	A-B-A-F-F-A-B-A
SC122404	SC122404NK	SC122404G	SC122404GNK	24.13x12.13x4.19 (613x308x106)	B-A-F-F-A-B	A-B-A-F-F-A-B-A
SC151504	SC151504NK	SC151504G	SC151504GNK	15.13x15.13x4.19 (384x384x106)	A-B-A-F-F-A-B-A	A-B-A-F-F-A-B-A
SC151804	SC151804NK	SC151804G	SC151804GNK	18.13x15.13x4.19 (461x384x106)	A-B-A-F-F-A-B-A	A-B-A-F-F-A-B-A
SC161604	SC161604NK	SC161604G	SC161604GNK	16.13x16.13x4.19 (410x410x106)	A-B-A-F-F-A-B-A	A-B-A-F-F-A-B-A
SC181804	SC181804NK	SC181804G	SC181804GNK	18.13x18.13x4.19 (461x461x106)	A-B-A-F-F-A-B-A	A-B-A-F-F-A-B-A
SC182404	SC182404NK	SC182404G	SC182404GNK	24.13x18.13x4.19 (613x461x106)	A-B-A-F-F-A-B-A	A-B-A-F-F-A-B-A
SC183004	SC183004NK	SC183004G	SC183004GNK	30.13x18.13x4.19 (765x461x106)	A-B-A-F-F-A-B-A	A-B-A-F-F-A-B-A
SC242404	SC242404NK	SC242404G	SC242404GNK	24.13x24.13x4.19 (613x613x106)	A-B-A-F-F-A-B-A	A-B-A-F-F-A-B-A
SC060606	SC060606NK	SC060606G	SC060606GNK	6.13x6.13x6.19 (156x156x157)	A-B-A	A-B-A
SC060806	SC060806NK	SC060806G	SC060806GNK	8.13x6.13x6.19 (207x156x157)	A-B-A	A-B-A
SC061206	SC061206NK	SC061206G	SC061206GNK	12.13x6.13x6.19 (308x156x157)	A-B-A	B-A-F-F-A-B
SC080806	SC080806NK	SC080806G	SC080806GNK	8.13x8.13x6.19 (207x207x157)	A-B-A	A-B-A
SC081006	SC081006NK	SC081006G	SC081006GNK	10.13x8.13x6.19 (257x207x157)	A-B-A	B-A-F-F-A
SC081206	SC081206NK	SC081206G	SC081206GNK	12.13x8.13x6.19 (308x207x157)	A-B-A	B-A-F-F-A-B
SC101006	SC101006NK	SC101006G	SC101006GNK	10.13x10.13x6.19 (257x257x157)	B-A-F-F-A	B-A-F-F-A
SC101206	SC101206NK	SC101206G	SC101206GNK	12.13x10.13x6.19 (308x257x157)	B-A-F-F-A	B-A-F-F-A-B
SC121206	SC121206NK	SC121206G	SC121206GNK	12.13x12.13x6.19 (308x308x157)	B-A-F-F-A-B	B-A-F-F-A-B
SC121506	SC121506NK	SC121506G	SC121506GNK	15.13x12.13x6.19 (384x308x157)	B-A-F-F-A-B	A-B-A-F-F-A-B-A
SC121806	SC121806NK	SC121806G	SC121806GNK	18.13x12.13x6.19 (461x308x157)	B-A-F-F-A-B	A-B-A-F-F-A-B-A
SC122406	SC122406NK	SC122406G	SC122406GNK	24.13x12.13x6.19 (613x308x157)	B-A-F-F-A-B	A-B-A-F-F-A-B-A

Note: 8", 10" and 12" deep enclosures do not have mounting embosses in back of enclosure, only mounting holes.

continued on page A4



**SC SERIES ENCLOSURES  
NEMA 1 SCREW-COVER WALL-MOUNT**

**SC SERIES SCREW-COVER PULL BOX ENCLOSURES (CONT.)**

Catalog Number						
Painted		Galvanized		Knockout Pattern		
W/Knockouts	W/O Knockouts	W/Knockouts	W/O Knockouts	Enclosure Size	Width Side	Height Side
SC151506	SC151506NK	SC151506G	SC151506GNK	15.13x15.13x6.19 (384x384x157)	A-B-A-F-F-A-B-A	A-B-A-F-F-A-B-A
—	SC161606NK	—	SC161606GNK	16.13x16.13x6.19 (410x410x157)	A-B-A-F-F-A-B-A	A-B-A-F-F-A-B-A
SC151806	SC151806NK	SC151806G	SC151806GNK	18.13x15.13x6.19 (461x384x157)	A-B-A-F-F-A-B-A	A-B-A-F-F-A-B-A
SC181806	SC181806NK	SC181806G	SC181806GNK	18.13x18.13x6.19 (461x461x157)	A-B-A-F-F-A-B-A	A-B-A-F-F-A-B-A
SC182406	SC182406NK	SC182406G	SC182406GNK	24.13x18.13x6.19 (613x461x157)	A-B-A-F-F-A-B-A	A-B-A-F-F-A-B-A
SC242406	SC242406NK	SC242406G	SC242406GNK	24.13x18.13x6.19 (613x461x157)	A-B-A-F-F-A-B-A	A-B-A-F-F-A-B-A
SC243006	SC243006NK	SC243006G	SC243006GNK	30.13x24.13x6.19 (765x613x157)	A-B-A-F-F-A-B-A	A-B-A-F-F-A-B-A
—	SC303006NK	—	SC303006GNK	30.13x30.13x6.19 (765x765x157)	A-B-A-F-F-A-B-A	A-B-A-F-F-A-B-A
—	SC363606NK	—	SC363606GNK	36.13x36.13x6.19 (918x918x157)	A-B-A-F-F-A-B-A	A-B-A-F-F-A-B-A
SC080808	SC080808NK	SC080808G	SC080808GNK	8.13x8.13x8.19 (207x207x208)	A-B-A	A-B-A
SC101008	—	—	—	10.13x10.13x8.19 (257x257x208)	B-A-F-F-A	B-A-F-F-A
SC121208	SC121208NK	SC121208G	SC121208GNK	12.13x12.13x8.19 (308x308x208)	B-A-F-F-A-B	B-A-F-F-A-B
SC121608	SC121608NK	SC121608G	SC121608GNK	16.13x12.13x8.19 (410x308x208)	B-A-F-F-A-B	A-B-A-F-F-A-B-A
SC121808	SC121808NK	SC121808G	SC121808GNK	18.13x12.13x8.19 (461x308x208)	B-A-F-F-A-B	A-B-A-F-F-A-B-A
SC122408	SC122408NK	SC122408G	SC122408GNK	24.13x12.13x8.19 (613x308x208)	B-A-F-F-A-B	A-B-A-F-F-A-B-A
SC181808	SC181808NK	SC181808G	SC181808GNK	18.13x18.13x8.19 (461x461x208)	A-B-A-F-F-A-B-A	A-B-A-F-F-A-B-A
SC182408	SC182408NK	SC182408G	SC182408GNK	24.13x18.13x8.19 (613x461x208)	A-B-A-F-F-A-B-A	A-B-A-F-F-A-B-A
SC242408	SC242408NK	SC242408G	SC242408GNK	24.13x24.13x8.19 (613x613x208)	A-B-A-F-F-A-B-A	A-B-A-F-F-A-B-A
SC243008	SC243008NK	SC243008G	SC243008GNK	30.13x24.13x8.19 (765x613x208)	A-B-A-F-F-A-B-A	A-B-A-F-F-A-B-A
SC243608	SC243608NK	SC243608G	SC243608GNK	36.13x24.13x8.19 (918x613x208)	A-B-A-F-F-A-B-A	A-B-A-F-F-A-B-A
—	SC303008NK	—	SC303008GNK	30.13x30.13x8.19 (765x765x208)	A-B-A-F-F-A-B-A	A-B-A-F-F-A-B-A
—	SC303608NK	—	SC303608GNK	36.13x30.13x8.19 (918x765x208)	A-B-A-F-F-A-B-A	A-B-A-F-F-A-B-A
—	SC363608NK	—	SC363608GNK	36.13x36.13x8.19 (918x918x208)	A-B-A-F-F-A-B-A	A-B-A-F-F-A-B-A
—	SC484808NK	—	—	48.13x48.13x8.19 (1223x1223x208)	—	—
SC121210	SC121210NK	SC121210G	SC121210GNK	12.13x12.13x10.19 (308x308x259)	B-A-F-F-A-B	B-A-F-F-A-B
SC121810	SC121810NK	SC121810G	SC121810GNK	18.13x12.13x10.19 (461x308x259)	B-A-F-F-A-B	A-B-A-F-F-A-B-A
SC122410	SC122410NK	SC122410G	SC122410GNK	24.13x12.13x10.19 (613x308x259)	B-A-F-F-A-B	A-B-A-F-F-A-B-A
SC181810	SC181810NK	SC181810G	SC181810GNK	18.13x18.13x10.19 (461x461x259)	A-B-A-F-F-A-B-A	A-B-A-F-F-A-B-A
SC182410	SC182410NK	SC182410G	SC182410GNK	24.13x18.13x10.19 (613x461x259)	A-B-A-F-F-A-B-A	A-B-A-F-F-A-B-A
SC242410	SC242410NK	SC242410G	SC242410GNK	24.13x24.13x10.19 (613x613x259)	A-B-A-F-F-A-B-A	A-B-A-F-F-A-B-A
SC243010	SC243010NK	SC243010G	SC243010GNK	30.13x24.13x10.19 (765x613x259)	A-B-A-F-F-A-B-A	A-B-A-F-F-A-B-A
—	SC303010NK	—	SC303010GNK	30.13x30.13x10.19 (765x765x259)	A-B-A-F-F-A-B-A	A-B-A-F-F-A-B-A
—	SC303610NK	—	SC303610GNK	36.13x30.13x10.19 (918x765x259)	A-B-A-F-F-A-B-A	A-B-A-F-F-A-B-A
SC243610	SC243610NK	SC243610G	SC243610GNK	36.13x24.13x10.19 (918x613x259)	A-B-A-F-F-A-B-A	A-B-A-F-F-A-B-A
—	SC363610NK	—	SC363610GNK	36.13x36.13x10.19 (918x918x259)	A-B-A-F-F-A-B-A	A-B-A-F-F-A-B-A
SC121212	SC121212NK	SC121212G	SC121212GNK	12.13x12.13x12.19 (308x308x310)	B-A-F-F-A-B	B-A-F-F-A-B
SC122412	SC122412NK	SC122412G	SC122412GNK	24.13x12.13x12.19 (613x308x310)	B-A-F-F-A-B	A-B-A-F-F-A-B-A
SC181812	SC181812NK	SC181812G	SC181812GNK	18.13x18.13x12.19 (461x461x310)	A-B-A-F-F-A-B-A	A-B-A-F-F-A-B-A
SC182412	SC182412NK	SC182412G	SC182412GNK	24.13x18.13x12.19 (613x461x310)	A-B-A-F-F-A-B-A	A-B-A-F-F-A-B-A
SC242412	SC242412NK	SC242412G	SC242412GNK	24.13x24.13x12.19 (613x613x310)	A-B-A-F-F-A-B-A	A-B-A-F-F-A-B-A
SC243012	SC243012NK	SC243012G	SC243012GNK	30.13x24.13x12.19 (765x613x310)	A-B-A-F-F-A-B-A	A-B-A-F-F-A-B-A
SC243612	SC243612NK	SC243612G	SC243612GNK	36.13x24.13x12.19 (918x613x310)	A-B-A-F-F-A-B-A	A-B-A-F-F-A-B-A
—	SC303012NK	—	SC303012GNK	30.13x30.13x12.19 (765x765x310)	A-B-A-F-F-A-B-A	A-B-A-F-F-A-B-A
—	SC303612NK	—	SC303612GNK	36.13x30.13x12.19 (918x765x310)	A-B-A-F-F-A-B-A	A-B-A-F-F-A-B-A
—	SC363612NK	—	SC363612GNK	36.13x36.13x12.19 (918x918x310)	A-B-A-F-F-A-B-A	A-B-A-F-F-A-B-A
—	SC484812NK	—	SC484812GNK	48.13x48.13x12.19 (1223x1223x310)	—	—
—	SC242418NK	—	—	24.13x24.13x18.19 (613x613x462)	—	—
—	SC363618NK	—	SC363618GNK	36.13x36.13x18.19 (918x918x462)	—	—
—	SC484818NK	—	SC484818GNK	48.13x48.13x18.19 (1223x1223x462)	—	—

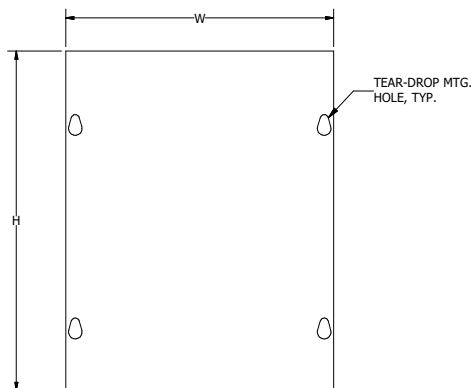
continued on page A5



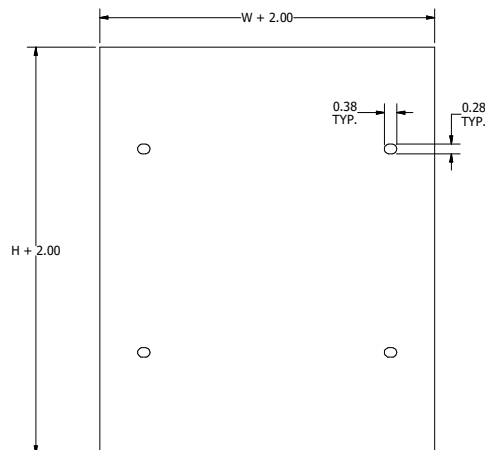
**SURFACE & FLUSH COVERS ONLY**

Catalog Number					
Surface Painted	Surface Galvanized	Flush Painted	Flush Galvanized	Flush Cover Size A x B	For Box H x W*
SC0404	SC0404G	SCF0404	SCF0404G	6.00x6.00 (152x152)	4.00x4.00 (102x102)
SC0406	SC0406G	SCF0406	SCF0406G	8.00x6.00 (203x152)	6.00x4.00 (102x102)
SC0606	SC0606G	SCF0606	SCG0606G	8.00x8.00 (203x203)	6.00x6.00 (152x152)
SC0608	SC0608G	SCF0608	SCF0608G	10.00x8.00 (254x203)	8.00x6.00 (203x152)
SC0612	SC0612G	SCF0612	SCF0612G	14.00x8.00 (356x203)	12.00x6.00 (305x152)
SC0808	SC0808G	SCF0808	SCF0808G	10.00x10.00 (254x254)	8.00x8.00 (203x203)
SC0810	SC0810G	SCF0810	SCF0810G	12.00x10.00 (305x254)	10.00x8.00 (254x203)
SC0812	SC0812G	SCF0812	SCF0812G	14.00x10.00 (356x254)	12.00x8.00 (305x203)
SC1010	SC1010G	SCF1010	SCF1010G	12.00x12.00 (305x305)	10.00x10.00 (254x254)
SC1012	SC1012G	SCF1012	SCF1012G	14.00x12.00 (356x305)	12.00x10.00 (305x254)
SC1212	SC1212G	SCF1212	SCF1212G	14.00x14.00 (356x356)	12.00x12.00 (305x305)
SC1215	SC1215G	SCF1215	SCF1215G	17.00x14.00 (432x356)	15.00x12.00 (381x305)
SC1216	SC1216G	SCF1216	SCF1216G	18.00x14.00 (457x356)	16.00x12.00 (406x305)
SC1218	SC1218G	SCF1218	SCF1218G	20.00x14.00 (508x356)	18.00x12.00 (457x305)
SC1224	SC1224G	SCF1224	SCF1224G	26.00x14.00 (660x356)	24.00x12.00 (610x305)
SC1515	SC1515G	SCF1515	SCF1515G	17.00x17.00 (432x432)	15.00x15.00 (381x381)
SC1518	SC1518G	SCF1518	SCF1518G	20.00x17.00 (508x432)	18.00x15.00 (457x381)
SC1616	SC1616G	SCF1616	SCF1616G	18.00x18.00 (457x457)	16.00x16.00 (406x406)
SC1818	SC1818G	SCF1818	SCF1818G	20.00x20.00 (508x508)	18.00x18.00 (457x457)
SC1824	SC1824G	SCF1824	SCF1824G	26.00x20.00 (660x508)	24.00x18.00 (610x457)
SC1830	SC1830G	SCF1830	SCF1830G	32.00x20.00 (813x508)	30.00x18.00 (762x457)
SC2424	SC2424G	SCF2424	SCF2424G	26.00x26.00 (660x660)	24.00x24.00 (610x610)
SC3030	SC3030G	SCF3030	SCF3030G	32.00x32.00 (812x812)	30.00x30.00 (762x762)
SC3636	SC3636G	SCF3636	SCF3636G	38.00x38.00 (965x965)	36.00x36.00 (914x914)
SC4848	SC4848G	SCF4848	SCF4848G	50.00x50.00 (1270x1270)	48.00x48.00 (1219x1219)

\*Surface covers are same size as H x W of box.



**SURFACE COVER**



**FLUSH COVER**

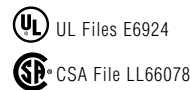
**A SERIES ENCLOSURES  
NEMA 1 HINGED-COVER WALL-MOUNT**



**A080804**

**Industry Standards**

UL 50, Type 1  
CSA Certified, Type 1  
NEMA/EEMAC Type 1



**FEATURES-SPECIFICATIONS**

**Applications**

Designed for use as surface-mounted junction box, service box, switch box or cutout box.

**Construction**

- Bodies and doors are fabricated from carbon steel
- Enclosures are furnished with clamp style hinges allowing for removable/replaceable covers
- Various sizes of removable concentric knockouts are furnished on all four sides of standard cutout boxes
- Mounting holes on the back of the enclosure

**Finish**

- ANSI-61 gray polyester powder inside and out

**Accessories**

- See pages L1-L24

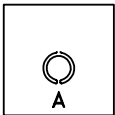
NOTE: 8" deep enclosures do not have mounting embosses in back of enclosure, only mounting holes.

NOTE: Second numerical value of catalog # represents height.

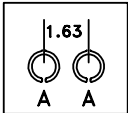
**A SERIES HINGED-COVER ENCLOSURES**

Catalog Number	Enclosure Size HxWxD	Knockout Patterns	
		Width Side	Height Side
A040503	5.13x4.63x3.19 (130x118x81)	A-A	A-A
A060603	6.13x6.13x3.19 (156x156x81)	A-B-A	A-B-A
A040604	6.13x4.13x4.19 (156x105x106)	A-A	A-B-A
A060604	6.13x6.13x4.19 (156x156x106)	A-B-A	A-B-A
A060804	8.13x6.13x4.19 (207x156x106)	A-B-A	A-B-A
A080804	8.13x8.13x4.19 (207x207x106)	A-B-A	A-B-A
A081004	10.13x8.13x4.19 (257x207x106)	A-B-A	B-A-F-F-A
A081204	12.13x8.13x4.19 (308x207x106)	A-B-A	B-A-F-F-A-B
A101004	10.13x10.13x4.19 (257x257x106)	B-A-F-F-A	B-A-F-F-A
A101204	12.13x10.13x4.19 (308x257x106)	B-A-F-F-A	B-A-F-F-A-B
A121204	12.13x12.13x4.19 (308x308x106)	B-A-F-F-A-B	B-A-F-F-A-B
A121504	15.13x12.13x4.19 (384x308x106)	B-A-F-F-A-B	A-B-A-F-F-A-B-A
A121604	16.13x12.13x4.19 (410x308x106)	B-A-F-F-A-B	A-B-A-F-F-A-B-A
A121804	18.13x12.13x4.19 (461x308x106)	B-A-F-F-A-B	A-B-A-F-F-A-B-A
A151804	18.13x15.13x4.19 (461x384x106)	A-B-A-F-F-A-B-A	A-B-A-F-F-A-B-A
A060606	6.13x6.13x6.19 (156x156x157)	A-B-A	A-B-A
A080806	8.13x8.13x6.19 (207x207x157)	A-B-A	A-B-A
A081006	10.13x8.13x6.19 (257x207x157)	A-B-A	B-A-F-F-A
A101006	10.13x10.13x6.19 (257x257x157)	B-A-F-F-A	B-A-F-F-A
A101206	12.13x10.13x6.19 (308x257x157)	B-A-F-F-A	B-A-F-F-A-B
A121206	12.13x12.13x6.19 (308x308x157)	B-A-F-F-A-B	B-A-F-F-A-B
A121606	16.13x12.13x6.19 (410x308x157)	B-A-F-F-A-B	A-B-A-F-F-A-B-A
A121806	18.13x12.13x6.19 (461x308x157)	B-A-F-F-A-B	A-B-A-F-F-A-B-A
A151506	15.13x15.13x6.19 (384x384x157)	A-B-A-F-F-A-B-A	A-B-A-F-F-A-B-A
A161606	16.13x16.13x6.19 (410x410x157)	A-B-A-F-F-A-B-A	A-B-A-F-F-A-B-A
A181806	18.13x18.13x6.19 (461x461x157)	A-B-A-F-F-A-B-A	A-B-A-F-F-A-B-A
A182406	24.13x18.13x6.19 (613x461x157)	A-B-A-F-F-A-B-A	A-B-A-F-F-A-B-A
A242406	24.13x24.13x6.19 (613x613x157)	A-B-A-F-F-A-B-A	A-B-A-F-F-A-B-A
A243006	30.13x24.13x6.19 (765x613x157)	A-B-A-F-F-A-B-A	A-B-A-F-F-A-B-A
A243606	36.13x24.13x6.19 (918x613x157)	A-B-A-F-F-A-B-A	A-B-A-F-F-A-B-A
A243608	36.13x24.13x8.19 (918x613x208)	A-B-A-F-F-A-B-A	A-B-A-F-F-A-B-A

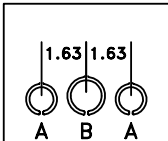
**Knockout Patterns**



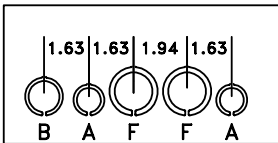
4" SIDE



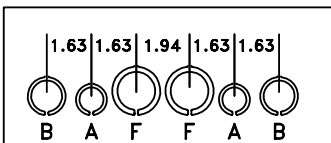
4-1/2" & 5" SIDE



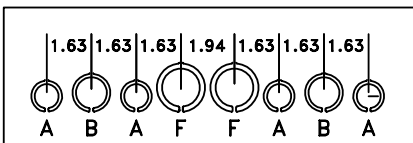
6" & 8" SIDE



10" SIDE

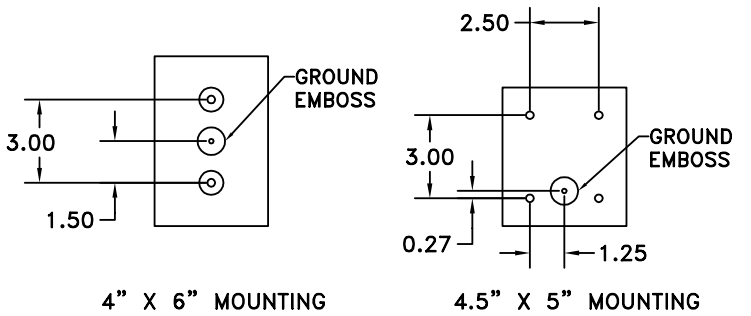


12" SIDE



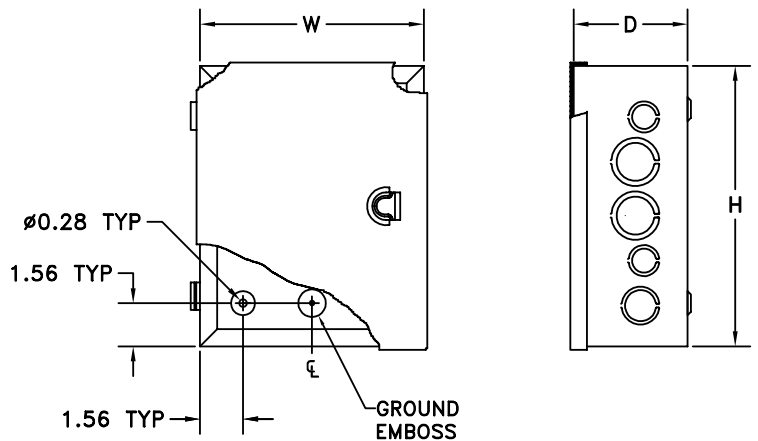
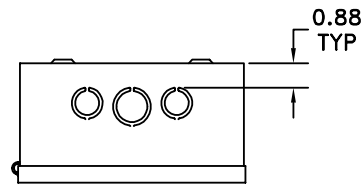
15" THRU 36" SIDE.

- A -- 1/2" TO 3/4"
- B -- 3/4" TO 1"
- F -- 1" TO 1-1/4"



4" X 6" MOUNTING

4.5" X 5" MOUNTING



## N1C SERIES ENCLOSURES "SMALL" NEMA 1 HINGED-COVER WALL-MOUNT



N1C060604

### Industry Standards

UL 50, Type 1  
CSA Certified, Type 1  
NEMA/EEMAC Type 1

 UL Files E6924

 CSA File LL66078

## FEATURES-SPECIFICATIONS

### Applications

Designed for use as control enclosures and instrument cases in areas not requiring oil-tight or dust-tight specifications.

### Construction

- Bodies and doors are fabricated from carbon steel
- Continuous hinged covers
- Mounting holes on the back of the enclosure

- Grounding provisions are provided
- Doors are furnished standard with quarter-turn latch
- Weldnuts are provided for mounting **optional** back panels

### Finish

- ANSI-61 gray polyester powder inside and out
- **Optional** back panels are painted with a white polyester powder

- **Optional** perforated panels are painted with a white polyester powder
- **Optional** "G" panels are pre-galvanized steel

### Accessories

- Back panels (reference table)
- See pages L1-L24

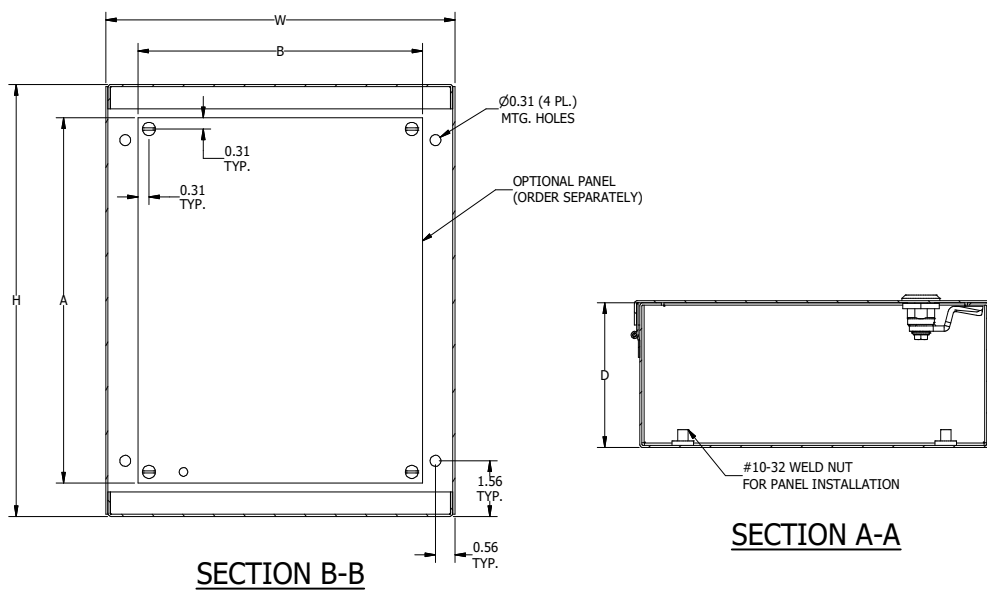
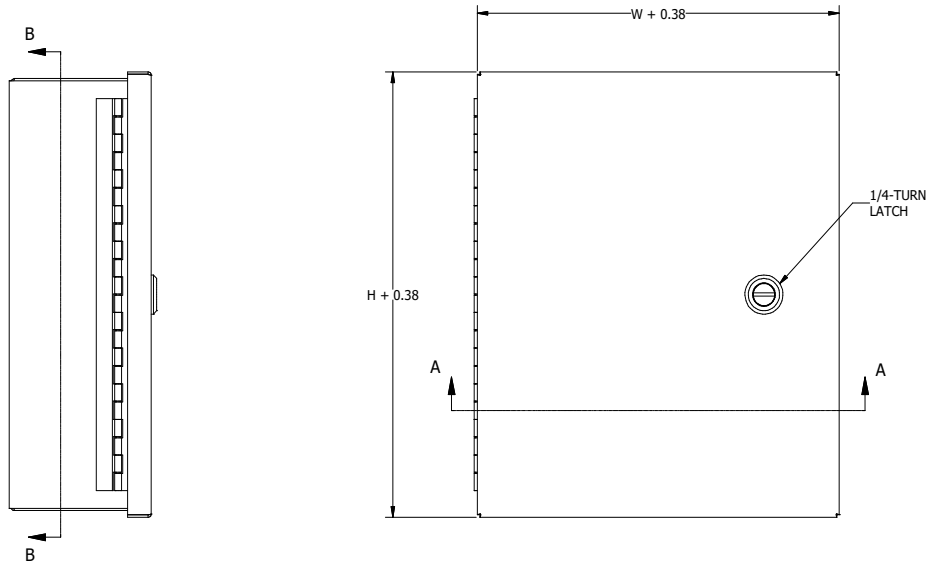
### "SMALL" N1C SERIES HINGED-COVER ENCLOSURES

Catalog Number	Enclosure Size HxWxD	Back Panel Catalog Number*			Back Panel Size A x B
		Painted	"G"	Perforated	
N1C060604	6x6x4 (152x152x102)	N1P0606	N1P0606G	N1P0606PP	4.25x4.25 (108x108)
N1C060804	8x6x4 (203x152x102)	N1P0608	N1P0608G	N1P0608PP	6.25x4.25 (159x108)
N1C080804	8x8x4 (203x203x102)	N1P0808	N1P0808G	N1P0808PP	6.25x6.25 (159x159)
N1C081004	10x8x4 (254x203x102)	N1P0810	N1P0810G	N1P0810PP	8.25x6.25 (210x159)
N1C101004	10x10x4 (254x254x102)	N1P1010	N1P1010G	N1P1010PP	8.25x8.25 (210x210)
N1C101204	12x10x4 (305x254x102)	N1P1012	N1P1012G	N1P1012PP	10.25x8.25 (260x210)
N1C121204	12x12x4 (305x305x102)	N1P1212	N1P1212G	N1P1212PP	10.25x10.25 (260x260)
N1C121404	14x12x4 (356x305x102)	N1P1214	N1P1214G	N1P1214PP	12.25x10.25 (311x260)
N1C060806	8x6x6 (203x152x152)	N1P0608	N1P0608G	N1P0608PP	6.25x4.25 (159x108)
N1C080806	8x8x6 (203x203x152)	N1P0808	N1P0808G	N1P0808PP	6.25x6.25 (159x159)
N1C081006	10x8x6 (254x203x152)	N1P0810	N1P0810G	N1P0810PP	8.25x6.25 (210x159)
N1C101006	10x10x6 (254x254x152)	N1P1010	N1P1010G	N1P1010PP	8.25x8.25 (210x210)
N1C101206	12x10x6 (305x254x152)	N1P1012	N1P1012G	N1P1012PP	10.25x8.25 (260x210)
N1C121206	12x12x6 (305x305x152)	N1P1212	N1P1212G	N1P1212PP	10.25x10.25 (260x260)
N1C121406	14x12x6 (356x305x152)	N1P1214	N1P1214G	N1P1214PP	12.25x10.25 (311x260)
N1C121606S	16x12x6 (406x305x152)	N1P1216	N1P1216G	N1P1216PP	14.25x10.25 (362x260)
N1C122006	20x12x6 (508x305x152)	N1P1220	N1P1220G	N1P1220PP	18.25x10.25 (464x260)
N1C121208	12x12x8 (305x305x203)	N1P1212	N1P1212G	N1P1212PP	10.25x10.25 (260x260)
N1C121408	14x12x8 (356x305x203)	N1P1214	N1P1214G	N1P1214PP	12.25x10.25 (311x260)

\*Back panels must be ordered separately

NOTE: Second numerical value of catalog # represents height.





## N1C SERIES ENCLOSURES "MEDIUM" NEMA 1 HINGED-COVER WALL-MOUNT



N1C161606LP

### Industry Standards

UL 50, Type 1  
CSA Certified, Type 1  
NEMA/EEMAC Type 1

 UL File E6924

 CSA File LL66078

## FEATURES-SPECIFICATIONS

### Applications

Designed for use as control enclosures and instrument cases in areas not requiring oil-tight or dust-tight specifications.

### Construction

- Bodies and doors are fabricated from carbon steel
- Mounting holes on the back of the enclosure

- Collar studs for mounting **optional** back panels are provided
- Doors are furnished standard with a quarter-turn latch
- Doors are secured by butt hinges
- Grounding provisions are provided
- If external mounting positions are needed, use N412MFK (See page L8)

### Finish

- ANSI-61 gray polyester powder inside and out

- **Optional** back panels are painted with a white polyester powder
- **Optional** perforated panels are painted with a white polyester powder

### Accessories

- Back panels (reference table)
- See pages L1-L24

### "MEDIUM" N1C SERIES HINGED-COVER ENCLOSURES

Catalog Number	Enclosure Size HxWxD	Back Panel Catalog Number	Perforated Back Panel Catalog Number	Back Panel Size A x B	J	K	L	M
N1C121606LP	16x12x6.75 (406 x 305 x 171)	N1P1216L	N1P1216LPP	13x10.5 (330.2 x 266.7)	2.25 (57)	11.5 (292)	1.5 (38)	9 (229)
N1C131806LP	18x13x6.75 (457 x 330 x 171)	N1P1216L	N1P1216LPP	13x10.5 (330.2 x 266.7)	3.25 (83)	11.5 (292)	2 (51)	9 (229)
N1C161606LP	16x16x6.75 (406 x 406 x 171)	N1P1616	N1P1616PP	13x14.5 (330.2 x 368.3)	2.25 (57)	11.5 (292)	1.5 (38)	13 (330)
N1C162006LP	20x16x6.75 (508 x 406 x 171)	N1P1620	N1P1620PP	17x14.5 (431.8 x 368.3)	2.25 (57)	15.5 (394)	1.5 (38)	13 (330)
N1C162406LP	24x16x6.75 (610 x 406 x 171)	N1P1624	N1P1624PP	21x14.5 (533.4 x 368.3)	2.25 (57)	19.5 (495)	1.5 (38)	13 (330)
N1C181806LP	18x18x6.75 (457 x 457 x 171)	N1P1616	N1P1616PP	13x14.5 (330.2 x 368.3)	3.25 (83)	11.5 (292)	2.5 (64)	13 (330)
N1C201606LP	16x20x6.75 (406 x 508 x 171)	N1P2016	N1P2016PP	13x18.5 (330.2 x 469.9)	2.25 (57)	11.5 (292)	1.5 (38)	17 (432)
N1C202006LP	20x20x6.75 (508 x 508 x 171)	N1P2020	N1P2020PP	17x18.5 (431.8 x 469.9)	2.25 (57)	15.5 (394)	1.5 (38)	17 (432)
N1C202406LP	24x20x6.75 (610 x 508 x 171)	N1P2024	N1P2024PP	21x18.5 (533.4 x 469.9)	2.25 (57)	19.5 (495)	1.5 (38)	17 (432)
N1C203006LP	30x20x6.75 (762 x 508 x 171)	N1P2030	N1P2030PP	26x18.5 (660.4 x 469.9)	2.75 (70)	24.5 (622)	1.5 (38)	17 (432)
N1C242406LP	24x24x6.75 (610 x 610 x 171)	N1P2424	N1P2424PP	21x22.5 (533.4 x 571.5)	2.25 (57)	19.5 (495)	1.5 (38)	21 (533)
N1C243006LP	30x24x6.75 (762 x 610 x 171)	N1P2430	N1P2430PP	26x22.5 (660.4 x 571.5)	2.75 (70)	24.5 (622)	1.5 (38)	21 (533)
N1C243606LP	36x24x6.75 (914 x 610 x 171)	N1P2436	N1P2436PP	32x22.5 (812.8 x 571.5)	2.75 (70)	30.5 (775)	1.5 (38)	21 (533)
N1C303606LP	36x30x6.75 (914 x 762 x 171)	N1P3036	N1P3036PP	32x28.5 (812.8 x 723.9)	2.75 (70)	30.5 (775)	1.5 (38)	27 (686)
N1C121608LP	16x12x8.75 (406 x 305 x 222)	N1P1216	N1P1216PP	13x10.5 (330.2 x 266.7)	2.25 (57)	11.5 (292)	1.5 (38)	9 (229)
N1C162008LP	20x16x8.75 (508 x 406 x 222)	N1P1620	N1P1620PP	17x14.5 (431.8 x 368.3)	2.25 (57)	15.5 (394)	1.5 (38)	13 (330)
N1C202008LP	20x20x8.75 (508 x 508 x 222)	N1P2020	N1P2020PP	17x18.5 (431.8 x 469.9)	2.2(57)	15.5 (394)	1.5 (38)	17 (432)
N1C202408LP	24x20x8.75 (610 x 508 x 222)	N1P2024	N1P2024PP	21x18.5 (533.4 x 469.9)	2.25(57)	19.5 (495)	1.5 (38)	17 (432)
N1C242008LP	20x24x8.75 (508 x 610 x 222)	N1P2420	N1P2420PP	17x22.5 (431.8 x 571.5)	2.25(57)	15.5 (394)	1.5 (38)	21 (533)
N1C242408LP	24x24x8.75 (610 x 610 x 222)	N1P2424	N1P2424PP	21x22.5 (533.4 x 571.5)	2.25(57)	19.5 (495)	1.5 (38)	21 (533)
N1C243008LP	30x24x8.75 (762 x 610 x 222)	N1P2430	N1P2430PP	26x22.5 (660.4 x 571.5)	2.75(70)	24.5 (622)	1.5 (38)	21 (533)
N1C243608LP	36x24x8.75 (914 x 610 x 222)	N1P2436	N1P2436PP	32x22.5 (812.8 x 571.5)	2.75(70)	30.5 (775)	1.5 (38)	21 (533)

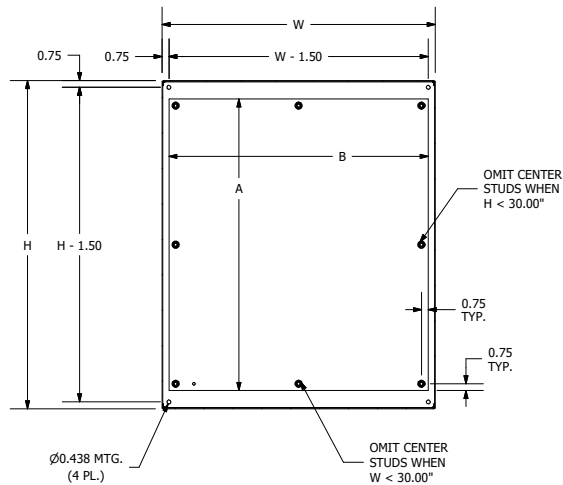
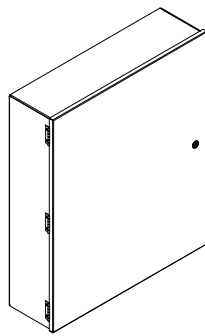
continued on page A11

# N1C SERIES ENCLOSURES "MEDIUM" NEMA 1 HINGED-COVER WALL-MOUNT

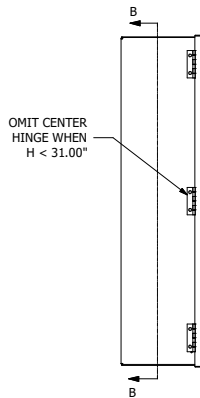
A11

**"MEDIUM" N1C SERIES HINGED-COVER ENCLOSURES CONT.**

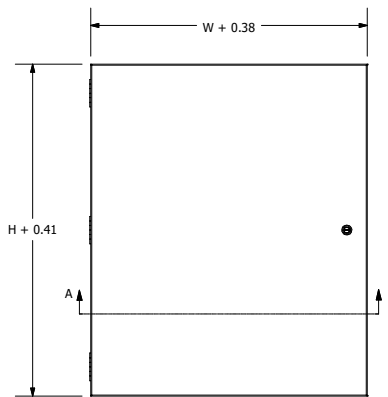
Catalog Number	Enclosure Size HxWxD	Back Panel Catalog Number	Perforated Back Panel Catalog Number	Back Panel Size A x B	J	K	L	M
N1C303008LP	30x30x8.75 (762 x 762 x 222)	N1P3030	N1P3030PP	26x28.5 (660.4 x 723.9)	2.75(70)	24.5 (622)	1.5 (38)	27 (686)
N1C303608LP	36x30x8.75 (914 x 762 x 222)	N1P3036	N1P3036PP	32x28.5 (812.8 x 723.9)	2.75(70)	30.5 (775)	1.5 (38)	27 (686)
N1C181810LP	18x18x10.75 (457 x 457 x 273)	N1P1616	N1P1616PP	13x14.5 (330.2 x 368.3)	3.25(83)	11.5 (292)	2.5 (64)	13 (330)
N1C202410LP	24x20x10.75 (610 x 508 x 273)	N1P2024	N1P2024PP	21x18.5 (533.4 x 469.9)	2.25(57)	19.5 (495)	1.5 (38)	17 (432)
N1C242410LP	24x24x10.75 (610 x 610 x 273)	N1P2424	N1P2424PP	21x22.5 (533.4 x 571.5)	2.25(57)	19.5 (495)	1.5 (38)	21 (533)
N1C243010LP	30x24x10.75 (762 x 610 x 273)	N1P2430	N1P2430PP	26x22.5 (660.4 x 571.5)	2.75(70)	24.5 (622)	1.5 (38)	21 (533)
N1C243610LP	36x24x10.75 (914 x 610 x 273)	N1P2436	N1P2436PP	32x22.5 (812.8 x 571.5)	2.75(70)	30.5 (775)	1.5 (38)	21 (533)
N1C303610LP	36x30x10.75 (914 x 762 x 273)	N1P3036	N1P3036PP	32x28.5 (812.8 x 723.9)	2.75(70)	30.5 (775)	1.5 (38)	27 (686)
N1C242412LP	24x24x12.75 (610 x 610 x 324)	N1P2424	N1P2424PP	21x22.5 (533.4 x 571.5)	2.25(57)	19.5 (495)	1.5 (38)	21 (533)
N1C243012LP	30x24x12.75 (762 x 610 x 324)	N1P2430	N1P2430PP	26x22.5 (660.4 x 571.5)	2.75(70)	24.5 (622)	1.5 (38)	21 (533)
N1C303612LP	36x30x12.75 (914 x 762 x 324)	N1P3036	N1P3036PP	32x28.5 (812.8 x 723.9)	2.75(70)	30.5 (775)	1.5 (38)	27 (686)



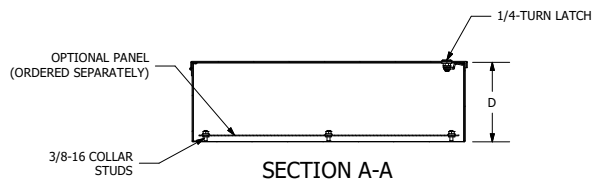
**SECTION B-B**



**LEFT SIDE VIEW**



**FRONT VIEW**



**SECTION A-A**

## N1C SERIES ENCLOSURES "LARGE" NEMA 1 HINGED-COVER WALL-MOUNT




N1C304209

### Industry Standards

UL 50, Type 1  
CSA Certified, Type 1  
NEMA/EEMAC Type 1

 UL File E6924

 CSA File LL66078

### FEATURES-SPECIFICATIONS

#### Applications

Designed for use as control enclosures and instrument cases in areas not requiring oil-tight or dust-tight specifications.

#### Construction

- Bodies and doors are fabricated from carbon steel
- Continuous hinged doors
- Mounting holes on the back of the enclosure

- Doors are removable by pulling the hinge pin
- Door and body stiffeners provided for extra rigidity in larger enclosures
- Collar studs for mounting **optional** back panels are provided
- If mounting provisions are needed, use N412MFK (See page L8)
- Grounding provisions are provided
- Doors are furnished standard with a quarter-turn latch

#### Finish

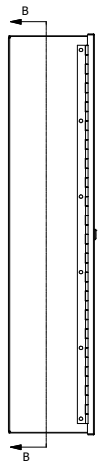
- ANSI-61 gray polyester powder inside and out
- **Optional** panels are painted with a white polyester powder

#### Accessories

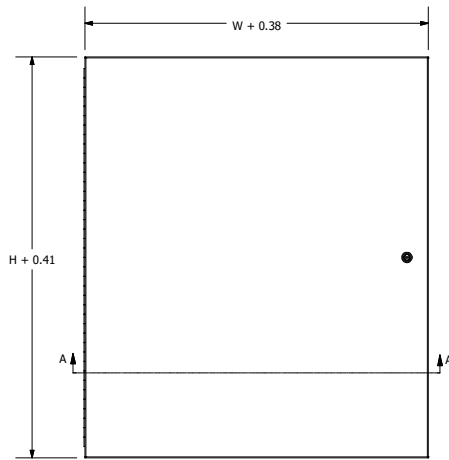
- Back panels (reference table)
- See pages L1-L24

#### "LARGE" N1C SERIES HINGED-COVER ENCLOSURES

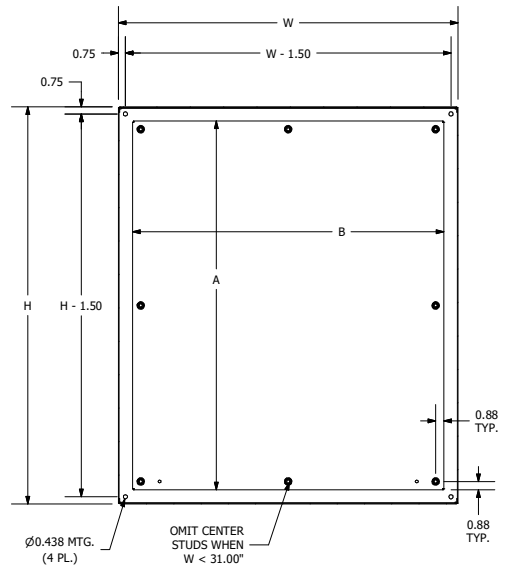
Catalog Number	Enclosure Size HxWxD	Back Panel Catalog Number*	Back Panel Size A x B
N1C304209	42x30x9 (1067 x 762 x 229)	NP4230	39x27 (990.6 x 685.8)
N1C364209	42x36x9 (1067 x 914 x 229)	NP4236	39x33 (990.6 x 838.2)
N1C364809	48x36x9 (1219 x 914 x 229)	NP4836	45x33 (1143 x 838.2)
N1C304810	48x30x10 (1219 x 762 x 254)	NP4830	45x27 (1143 x 685.8)
N1C364811	48x36x11 (1219 x 914 x 279)	NP4836	45x33 (1143 x 838.2)
N1C304213	42x30x13 (1067 x 762 x 330)	NP4230	39x27 (990.6 x 685.8)
N1C364817	48x36x17 (1219 x 914 x 432)	NP4836	45x33 (1143 x 838.2)



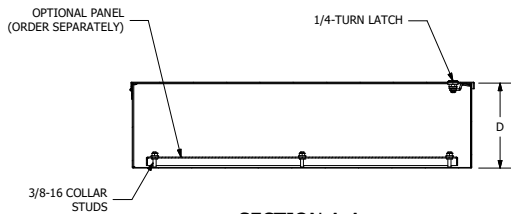
LEFT SIDE VIEW



FRONT VIEW



SECTION B-B



SECTION A-A

