

Section D Index

BN4 Series

NEMA 4 JIC Lift-Off Cover Wall-Mount ... D2

BN4-CH Series

NEMA 4 JIC Continuous Hinge
Wall-Mount D4

Ultimate Mini-Max™

JIC Box Quarter-Turn Style..... D6

WA-GSC Series

NEMA 3 & 4 Screw-Cover
Moisture Proof D8

N412-C ULTIMATE Series

NEMA 4 & 12 Single Door Wall-Mount.. D10

N412-WC ULTIMATE Series

NEMA 4 & 12 Single Door with
Window Wall-Mount D13

N412-3PTC ULTIMATE Series

NEMA 4 Single Door
with 3PT Handle D16

N412-CST ULTIMATE Series

NEMA 4 & 12 Slope-Top Single Door
Wall-Mount D18

N412-CGP ULTIMATE Series with Gland Plate

Double Door Wall-Mount with
Removable Gland Plate..... D20

N412D-C ULTIMATE Series Double Door

Double Door Wall-Mount D22

N4 Series

NEMA 4 Single Door Wall-Mount D24

N4D Series

NEMA 4 Floor-Mount D26

N4S-FS Series

NEMA 4 Single Door Freestanding D27

N4D-3PT Series

NEMA 4 Two Door Floor-Mount
with 3PT Handle D28

WA-FSN43PT Series

NEMA 4 Single Door Freestanding
with 3PT Handle D30

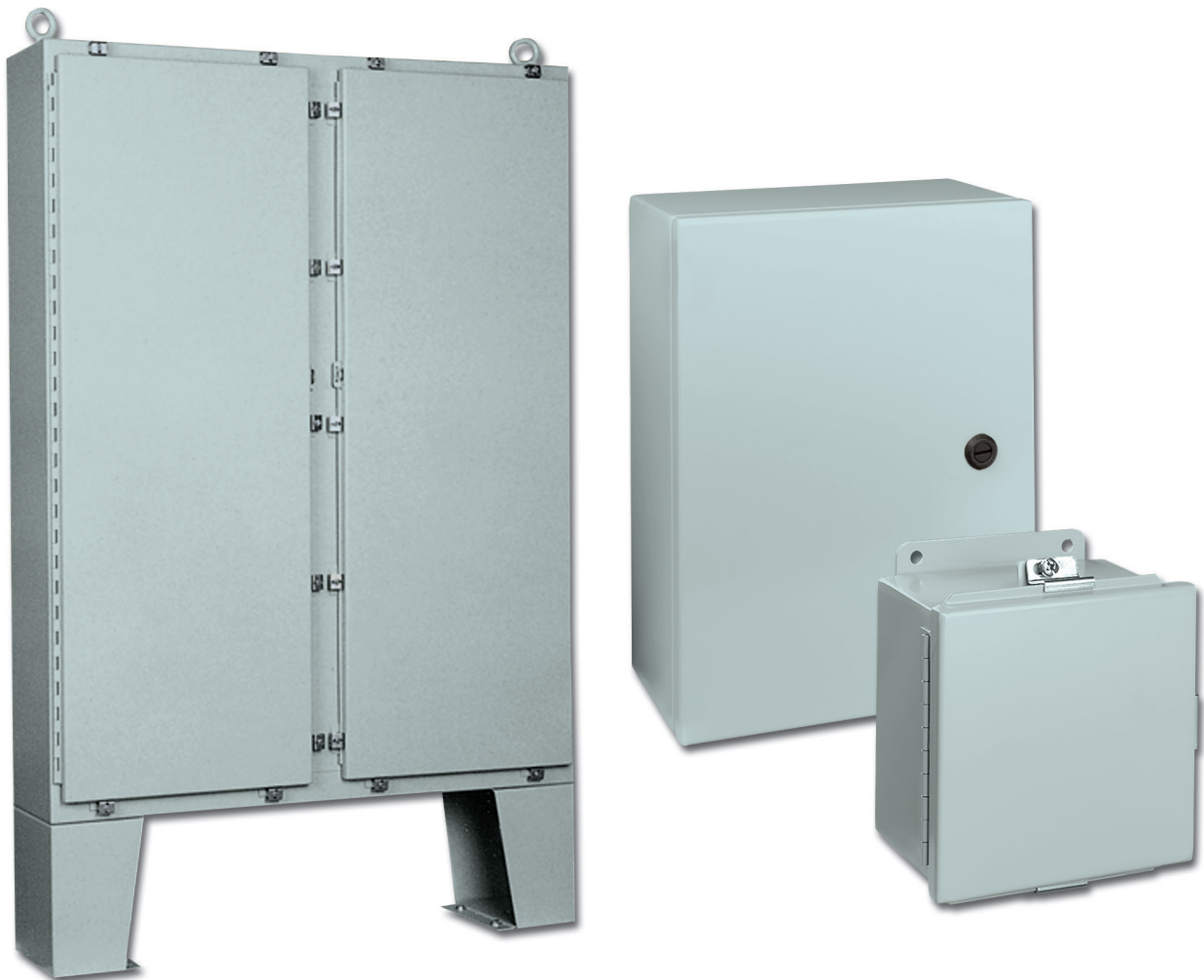
WRD-FS4 Series

Single Door Freestanding
Heavy-Duty Removable Hinge..... D32

WRD-FSD4 Series

Double Door Freestanding
Heavy-Duty Removable Hinge..... D34

NEMA 4 ENCLOSURES



BN4 SERIES ENCLOSURES NEMA 4 JIC LIFT-OFF COVER WALL-MOUNT



BN4060604

Industry Standards

cULus, Type 4, 12 & 13
NEMA/EEMAC Type 4, 12 & 13
IEC 60529, IP66

 UL File E64791, E470978

FEATURES-SPECIFICATIONS

Applications

Designed for use as instrument housing, electrical control enclosures, terminal wiring boxes or electrical junction boxes. Provides protection where equipment is hosed down or in outdoor applications.

Construction

- Bodies and doors are fabricated from carbon steel
- Seams are continuously welded and ground smooth

- Closed cell oil resistant neoprene gasket
- External mounting plate on the top and bottom of the enclosure
- Weldnuts are provided on models 6.00" x 4.00" or larger to secure **optional** back panels
- Stainless steel screws and clamps on four sides of cover to assure a water-tight seal
- Grounding provisions are provided

Finish

- ANSI-61 gray polyester powder inside and out
- **Optional** back panels are painted with a white polyester powder
- **Optional** "G" panels are pre-galvanized steel

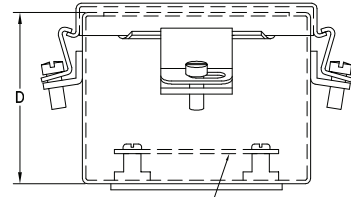
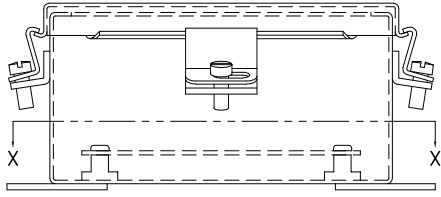
Accessories

- Back panels (reference table)
- See pages L1-L24

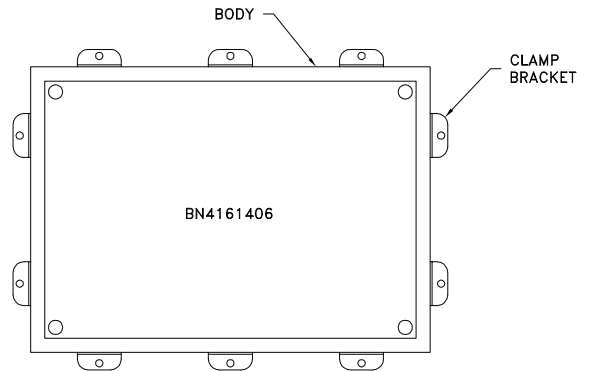
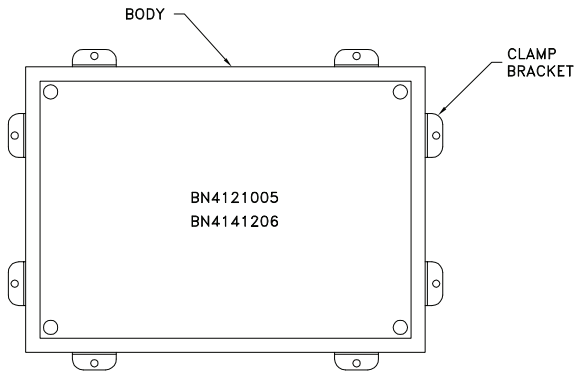
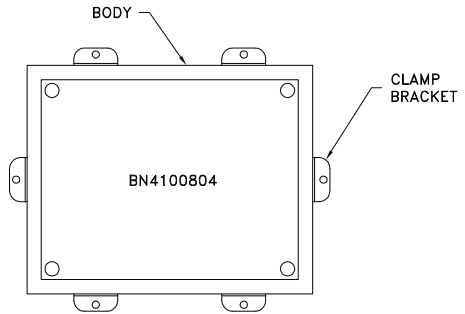
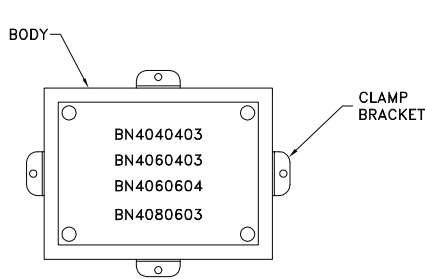
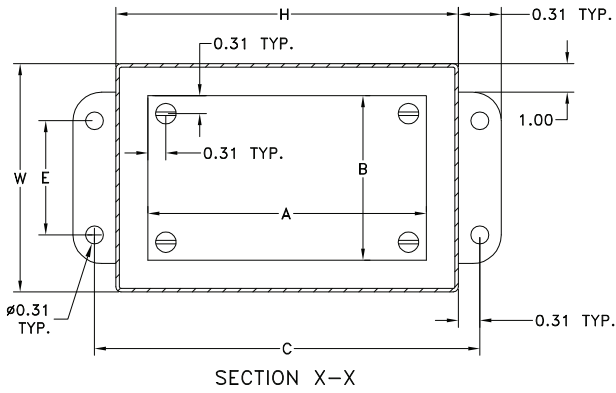
BN4 SERIES JIC LIFT-OFF COVER ENCLOSURES

Catalog Number	Enclosure Size HxWxD	Back Panel Catalog Number*		Back Panel Size A x B	Mounting Size C x E
		White	"G"		
BN4040403	4.00x4.00x3.00 (102x102x76)	—	—	—	4.75x2.00 (121x51)
BN4060403	6.00x4.00x3.00 (152x102x76)	P0604	P0604G	4.88x2.88 (124x73)	6.75x2.00 (171x51)
BN4060604	6.00x6.00x4.00 (152x152x102)	P0606	P0606G	4.88x4.88 (124x124)	6.75x4.00 (171x102)
BN4080603	8.00x6.00x3.50 (203x152x89)	P0806	P0806G	6.88x4.88 (175x124)	8.75x4.00 (222x102)
BN4100804	10.00x8.00x4.00 (254x203x102)	P1008	P1008G	8.88x6.88 (226x175)	10.75x6.00 (273x152)
BN4121005	12.00x10.00x5.00 (305x254x127)	P1210	P1210G	10.88x8.88 (276x226)	12.75x8.00 (324x203)
BN4141206	14.00x12.00x6.00 (356x305x152)	P1412	P1412G	12.88x10.88 (327x276)	14.75x10.00 (375x254)
BN4161406	16.00x14.00x6.00 (406x356x152)	P1614	P1614G	14.88x12.88 (378x327)	16.75x12.00 (425x305)

*Back panels must be ordered separately.



Panel (Order Separately)



BN4 - CH SERIES ENCLOSURES NEMA 4 JIC CONTINUOUS HINGED WALL-MOUNT



BN4060604CH

Industry Standards

cULus, Type 4, 12 & 13
NEMA/EEMAC Type 4, 12 & 13
IEC 60529, IP66

 UL File E64791, E470978

FEATURES-SPECIFICATIONS

Applications

Designed for use as instrument housing, electrical control enclosures, terminal wiring boxes or electrical junction boxes. Provides protection in areas that are hosed down or in outdoor applications.

Construction

- Bodies and doors are fabricated from carbon steel
- Seams are continuously welded and ground smooth
- Closed cell oil resistant neoprene gasket

- External mounting plates on the top and bottom of the enclosure
- Weldnuts are provided on models 6.00" x 4.00" and larger to secure **optional** back panels
- Continuous hinged cover is secured on three sides with stainless steel screws and clamps to assure a water-tight seal
- Cover is removable by pulling stainless steel hinge pin
- Grounding provisions are provided

Finish

- ANSI-61 gray polyester powder inside and out
- **Optional** back panels are painted with a white polyester powder
- **Optional** "G" panels are pre-galvanized steel

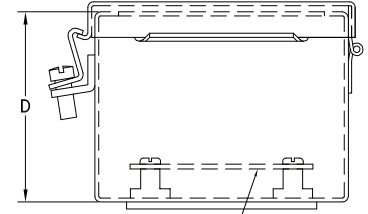
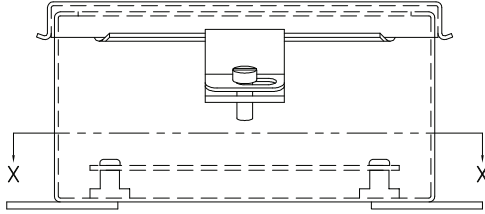
Accessories

- Back panels (reference table)
- See pages L1-L24

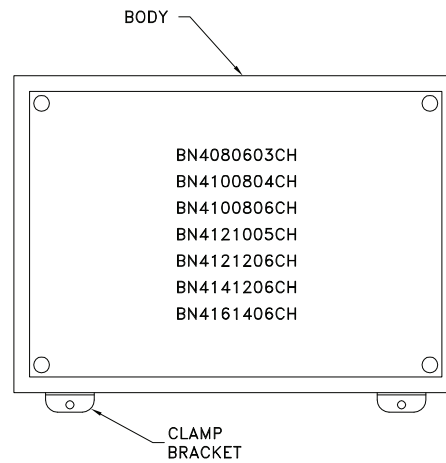
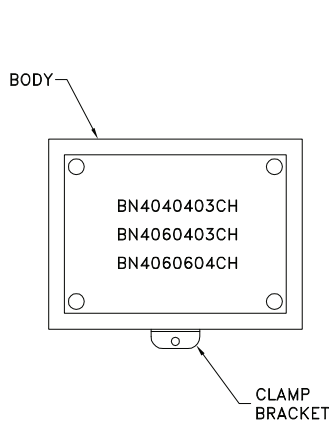
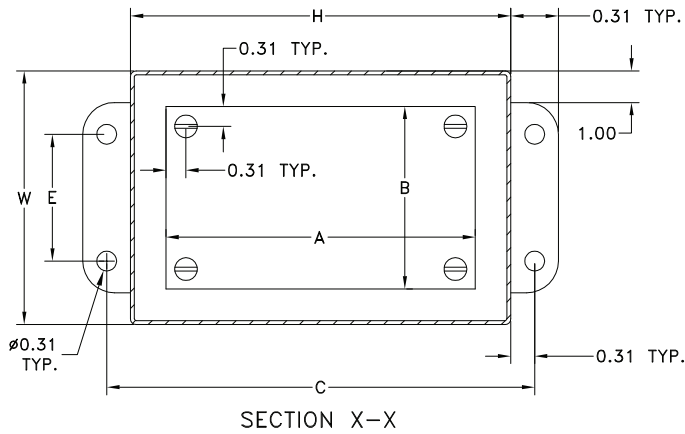
BN4 SERIES JIC CONTINUOUS HINGED ENCLOSURES

Catalog Number	Enclosure Size HxWxD	Back Panel Catalog Number*		Back Panel Size A x B	Mounting Size C x E
		White	"G"		
BN4040403CH	4.00x4.00x3.00 (102x102x76)	—	—	—	4.75x2.00 (121x51)
BN4060403CH	6.00x4.00x3.00 (152x102x76)	P0604	P0604G	4.88x2.88 (124x73)	6.75x2.00 (171x51)
BN4060604CH	6.00x6.00x4.00 (152x152x102)	P0606	P0606G	4.88x4.88 (124x124)	6.75x4.00 (171x102)
BN4080603CH	8.00x6.00x3.50 (203x152x89)	P0806	P0806G	6.88x4.88 (175x124)	8.75x4.00 (222x102)
BN4100804CH	10.00x8.00x4.00 (254x203x102)	P1008	P1008G	8.88x6.88 (226x175)	10.75x6.00 (273x152)
BN4100806CH	10.00x8.00x6.00 (254x203x152)	P1008	P1008G	8.88x6.88 (226x175)	10.75x6.00 (273x152)
BN4121005CH	12.00x10.00x5.00 (305x254x127)	P1210	P1210G	10.88x8.88 (276x226)	12.75x8.00 (324x203)
BN4121206CH	12.00x12.00x6.00 (305x305x152)	P1212	P1212G	10.88x10.88 (276x276)	12.75x10.00 (324x254)
BN4141206CH	14.00x12.00x6.00 (356x305x152)	P1412	P1412G	12.88x10.88 (327x276)	14.75x10.00 (375x254)
BN4161406CH	16.00x14.00x6.00 (406x356x152)	P1614	P1614G	14.88x12.88 (378x327)	16.75x12.00 (425x305)

*Back panels must be ordered separately.



Panel (Order Separately)



ULTIMATE MINI-MAX™ NEMA 4 JIC CONTINUOUS HINGE QUARTER-TURN



Industry Standards

cULus Type 4 & 12
NEMA/EEMAC Type 4 & 12
IEC 60529, IP66

 E64791, E470978

FEATURES-SPECIFICATIONS

Applications

Ultimate Mini-Max™ Series enclosures are designed to house and protect electrical and electronic components in harsh, dirty environments. For use in installations where dirt, dust, oil, water and other contaminants are present. Streamlined styling, ¼ turn latch and attractive durable finish complement any high tech electronic equipment.

Construction

- Bodies and doors are fabricated from carbon steel

- Seams are continuously welded and ground smooth
- Doors are sealed with a poured in place gasket
- FTC flange around the entire door opening to channel liquids
- External mounting plates on the top and bottom of the enclosure
- Continuous hinged cover
- Cover is removable by pulling the stainless steel hinge pin
- 1/4 turn latch is interchangeable with many locking designs available

Finish

- ANSI-61 gray polyester powder inside and out
- **Optional** back panels are painted with a white polyester powder
- **Optional** “G” panels are pre-galvanized steel

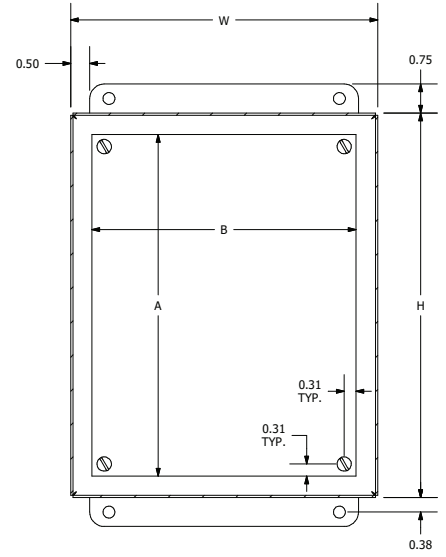
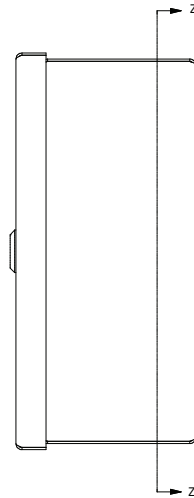
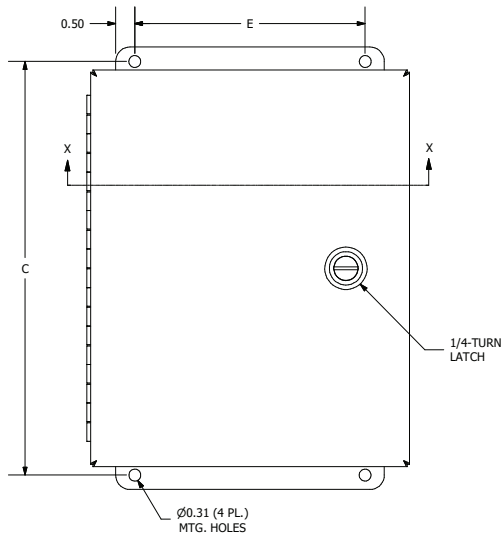
Accessories

- Back Panels (reference table)
- See pages L1-L24

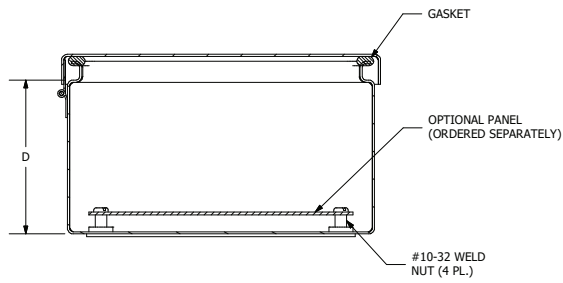
ULTIMATE MINI-MAX™ JIC BOX QUARTER-TURN STYLE

Catalog Number	Enclosure Size HxWxD	Back Panel Catalog Number*		Back Panel Size A x B	Mounting C x E
		White	“G”		
BN4060604CHQT	6.00 x 6.00 x 4.00	P0606	P0606G	4.88 x 4.88	6.76 x 4.50
BN4080604CHQT	8.00 x 6.00 x 4.00	P0806	P0806G	6.88 x 4.88	8.76 x 4.50
BN4100804CHQT	10.00 x 8.00 x 4.00	P1008	P1008G	8.88 x 6.88	10.76 x 6.50
BN4100806CHQT	10.00 x 8.00 x 6.00	P1008	P1008G	8.88 x 6.88	10.76 x 6.50
BN4121006CHQT	12.00 x 10.00 x 6.00	P1210	P1210G	10.88 x 8.88	12.76 x 8.50
BN4121206CHQT	12.00 x 12.00 x 6.00	P1212	P1212G	10.88 x 10.88	12.76 x 10.50
BN4141206CHQT	14.00 x 12.00 x 6.00	P1412	P1412G	12.88 x 10.88	14.76 x 10.50
BN4161406CHQT	16.00 x 14.00 x 6.00	P1614	P1614G	14.88 x 12.88	16.76 x 12.50
BN4121008CHQT	12.00 x 10.00 x 8.00	P1210	P1210G	10.88 x 8.88	12.76 x 8.50
BN4121208CHQT	12.00 x 12.00 x 8.00	P1212	P1212G	10.88 x 10.88	12.76 x 10.50
BN4141208CHQT	14.00 x 12.00 x 8.00	P1412	P1412G	12.88 x 10.88	14.76 x 10.50
BN4161408CHQT	16.00 x 14.00 x 8.00	P1614	P1614G	14.88 x 12.88	16.76 x 12.50
BN4121010CHQT	12.00 x 10.00 x 10.00	P1210	P1210G	10.88 x 8.88	12.76 x 8.50
BN4121210CHQT	12.00 x 12.00 x 10.00	P1212	P1212G	10.88 x 10.88	12.76 x 10.50

*Back panels must be ordered separately.



SECTION Z-Z



SECTION X-X

WA - GSC SERIES ENCLOSURES NEMA 4 SCREW-COVER MOISTURE PROOF



WA060604GSC



WA060604GSCG

Industry Standards
cULus, Type 4
NEMA/EEMAC Type 4

 UL File E64791, E470978

FEATURES-SPECIFICATIONS

Applications

Designed for use as a wiring box, junction box, pull box, or terminal box with many indoor or outdoor applications where dust or moisture is a problem.

Construction

- Bodies and covers are fabricated from carbon steel or pre-galvanized steel.

- Seams are continuously welded and ground smooth
- Cover contains a closed cell oil resistant neoprene gasket
- Enclosure comes with stainless steel cover screws which thread into sealed wells to prevent liquid, dust, etc., from entering into the enclosure through the screw holes
- No mounting provisions are provided

Finish

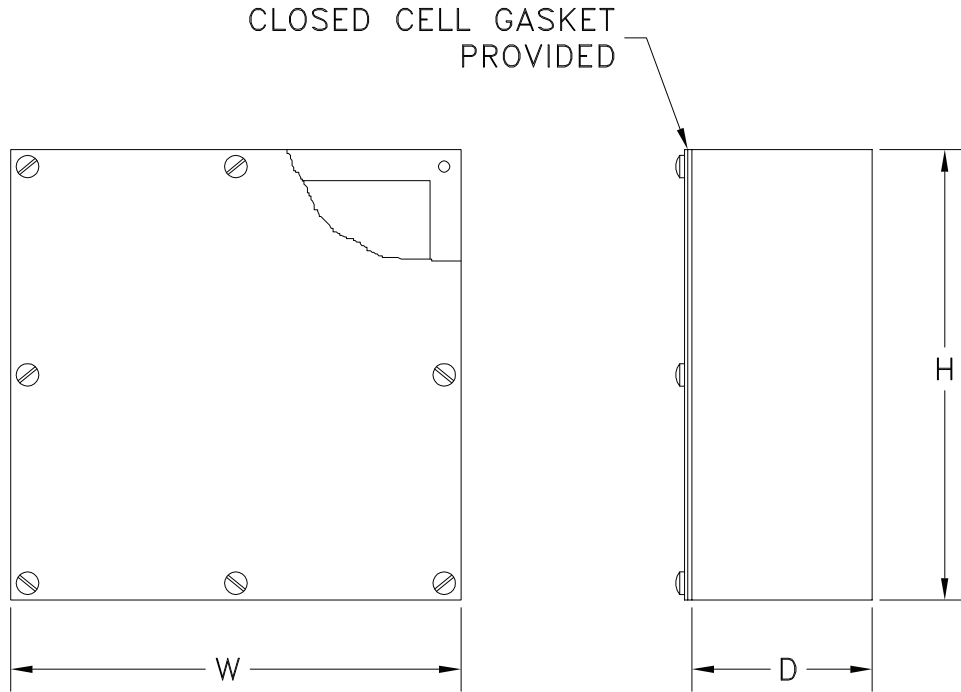
- ANSI-61 gray polyester powder inside and out
- Unpainted pre-galvanized steel

Accessories

- See pages L1-L24

WA-GSC SERIES SCREW-COVER ENCLOSURES

Catalog Number		Enclosure Size HxWxD
Painted	Galvanized	
WA060604GSC	WA060604GSCG	6.125x6.125x4.00 (152x152x102)
WA060606GSC	WA060606GSCG	6.125x6.125x6.00 (152x152x152)
WA060804GSC	WA060804GSCG	6.125x8.125x4.00 (152x203x102)
WA060806GSC	WA060806GSCG	6.125x8.125x6.00 (152x203x152)
WA080804GSC	WA080804GSCG	8.125x8.125x4.00 (203x203x102)
WA080806GSC	WA080806GSCG	8.125x8.125x6.00 (203x203x152)
WA081004GSC	WA081004GSCG	8.125x10.125x4.00 (203x254x102)
WA101004GSC	WA101004GSCG	10.125x10.125x4.00 (254x254x102)
WA101006GSC	WA101006GSCG	10.125x10.125x6.00 (254x254x152)
WA101206GSC	WA101206GSCG	10.125x12.125x6.00 (254x305x152)
WA121204GSC	WA121204GSCG	12.125x12.125x4.00 (305x305x102)
WA121206GSC	WA121206GSCG	12.125x12.125x6.00 (305x305x152)
WA121606GSC	WA121606GSCG	12.125x16.125x6.00 (305x406x152)
WA121608GSC	WA121608GSCG	12.125x16.125x8.00 (305x406x203)
WA161606GSC	WA161606GSCG	16.125x16.125x6.00 (406x406x152)
WA161608GSC	WA161608GSCG	16.125x16.125x8.00 (406x406x203)
WA181806GSC	WA181806GSCG	18.125x18.125x6.00 (457x457x152)
WA202008GSC	WA202008GSCG	20.125x20.125x8.00 (508x508x203)
WA202408GSC	WA202408GSCG	20.125x24.125x8.00 (508x610x203)
WA242406GSC	WA242406GSCG	24.125x24.125x6.00 (610x610x152)
WA242408GSC	WA242408GSCG	24.125x24.125x8.00 (610x610x203)
WA303012GSC	WA303012GSCG	30.25x30.25x12.00 (762x762x305)
WA363612GSC	WA363612GSCG	36.25x36.25x12.00 (914x914x305)



**N412 - C ULTIMATE SERIES ENCLOSURES
NEMA 4 & 12 SINGLE DOOR WALL-MOUNT**



N412161206C

Industry Standards

cULus, Type 3R, 4, 12 & 13
NEMA/EEMAC Type 3R, 4, 12 & 13
IEC 60529, IP66
Wall mounting kits required to maintain UL\CSA external mounting requirements

UL Files E64791, E470978

FEATURES-SPECIFICATIONS

Applications

N412C ULTIMATE Series Enclosures are designed to house and protect electrical and electronic components in harsh, dirty environments. For use in installations where dirt, dust, oil, water, or other contaminants are present. Streamlined styling, flush latching, and attractive durable finish complement any high tech electronic equipment.

Construction

- Bodies and doors are fabricated from carbon steel
- Seams are continuously welded and ground smooth
- Increased tub opening for better access
- Concealed hinges

- Doors are interchangeable and easily removed
- Grounding provisions are provided
- 1/4-turn semi-flush latches are supplied to hold door securely closed
- Doors are sealed with a poured in place gasket
- Mounting holes in the back of the enclosure
- Studs for mounting **optional** Ultimate Series back panels are provided

Finish

- ANSI 61 gray polyester powder inside and out
- An **optional** RAL7035 textured

light-gray polyester powder finish is available, but is made to order only. (see reference table)

- **Optional** back panels are painted with a white polyester powder
- **Optional** "G" panels are pre-galvanized steel

Accessories

- Back panels (reference table)
- See pages L22-L24 for ULTIMATE Series Accessories
- **Optional** N412MFK mounting foot kit must be ordered separately

N412C ULTIMATE SERIES SINGLE DOOR ENCLOSURES

Catalog Number		Enclosure Size HxWxD	Back Panel Catalog Number*		Back Panel Size A x B
Gray Ansi 61	Light Gray		White	"G"	
N412121206C	N412121206CLG	12.00x12.00x6.00 (305x305x152)	NP1212C	NP1212CG	10.2x10.2 (259x259)
N412161206C	N412161206CLG	16.00x12.00x6.00 (406x305x152)	NP1612C	NP1612CG	14.2x10.2 (361x259)
N412161606C	N412161606CLG	16.00x16.00x6.00 (406x406x152)	NP1616C	NP1616CG	14.2x14.2 (361x361)
N412162006C	N412162006CLG	16.00x20.00x6.00 (406x508x152)	NP2016C	NP2016CG	14.2x18.2 (361x462)
N412201606C	N412201606CLG	20.00x16.00x6.00 (508x406x152)	NP2016C	NP2016CG	18.2x14.2 (462x361)
N412202006C	N412202006CLG	20.00x20.00x6.00 (508x508x152)	NP2020C	NP2020CG	18.2x18.2 (462x462)
N412241606C	N412241606CLG	24.00x16.00x6.00 (610x406x152)	NP2416C	NP2416CG	22.2x14.2 (564x361)
N412242006C	N412242006CLG	24.00x20.00x6.00 (610x508x152)	NP2420C	NP2420CG	22.2x18.2 (564x462)
N412242406C	N412242406CLG	24.00x24.00x6.00 (610x610x152)	NP2424C	NP2424CG	22.2x22.2 (564x564)
N412121208C	N412121208CLG	12.00x12.00x8.00 (305x305x203)	NP1212C	NP1212CG	10.2x10.2 (259x259)
N412141408C	N412141408CLG	14.00x14.00x8.00 (327x327x203)	NP1414C	NP1414CG	12.2x12.2 (309x309)
N412161208C	N412161208CLG	16.00x12.00x8.00 (406x305x203)	NP1612C	NP1612CG	14.2x10.2 (361x259)
N412161608C	N412161608CLG	16.00x16.00x8.00 (406x406x203)	NP1616C	NP1616CG	14.2x14.2 (361x361)
N412162008C	N412162008CLG	16.00x20.00x8.00 (406x508x203)	NP2016C	NP2016CG	14.2x18.2 (361x462)
N412201608C	N412201608CLG	20.00x16.00x8.00 (508x406x203)	NP2016C	NP2016CG	18.2x14.2 (462x361)
N412202008C	N412202008CLG	20.00x20.00x8.00 (508x508x203)	NP2020C	NP2020CG	18.2x18.2 (462x462)
N412241608C	N412241608CLG	24.00x16.00x8.00 (610x406x203)	NP2416C	NP2416CG	22.2x14.2 (564x361)
N412242008C	N412242008CLG	24.00x20.00x8.00 (610x508x203)	NP2420C	NP2420CG	22.2x18.2 (564x462)
N412302008C	N412302008CLG	30.00x20.00x8.00 (762x508x203)	NP3020C	NP3020CG	28.2x18.2 (716x462)
N412202408C	N412202408CLG	20.00x24.00x8.00 (508x610x203)	NP2420C	NP2420CG	18.2x22.2 (462x564)

*Back panels must be ordered separately.

continued on page D11

N412 - C ULTIMATE SERIES ENCLOSURES NEMA 4 & 12 SINGLE DOOR WALL-MOUNT

D11

N412C ULTIMATE SERIES SINGLE DOOR ENCLOSURES (CONT.)

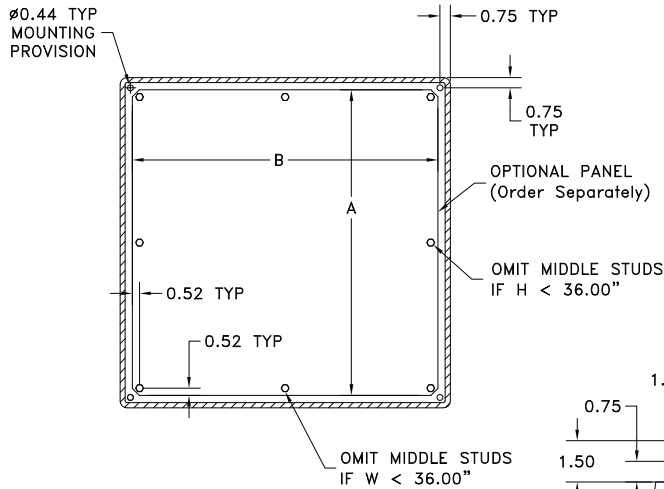
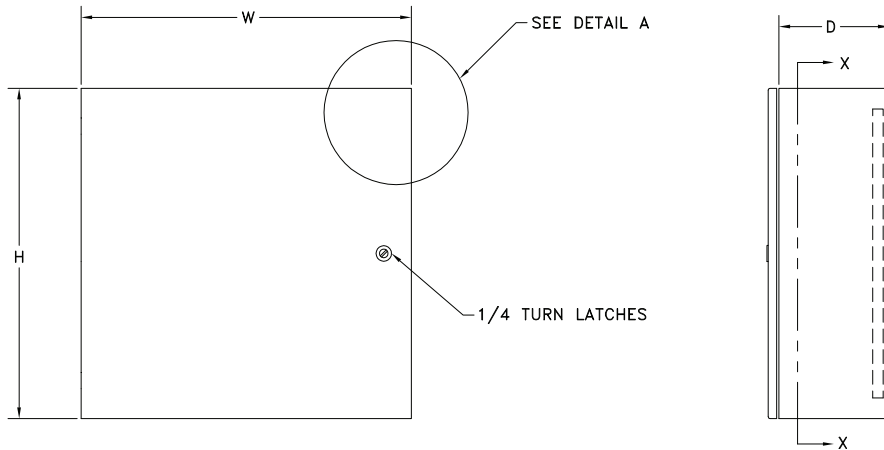
Catalog Number Gray Ansi 61	Catalog Number Light Gray	Enclosure Size HxWxD	Back Panel Catalog Number*		Back Panel Size A x B
			White	"G"	
N412242408C	N412242408CLG	24.00x24.00x8.00 (610x610x203)	NP2424C	NP2424CG	22.2x22.2 (564x564)
N412243008C	N412243008CLG	24.00x30.00x8.00 (610x762x203)	NP2430C	NP2430CG	22.2x28.2 (564x716)
N412302408C	N412302408CLG	30.00x24.00x8.00 (762x610x203)	NP3024C	NP3024CG	28.2x22.2 (716x564)
N412303008C	N412303008CLG	30.00x30.00x8.00 (762x762x203)	NP3030C	NP3030CG	28.2x28.2 (716x716)
N412362408C	N412362408CLG	36.00x24.00x8.00 (914x610x203)	NP3624C	NP3624CG	34.2x22.2 (869x564)
N412363008C	N412363008CLG	36.00x30.00x8.00 (914x762x203)	NP3630C	NP3630CG	34.2x28.2 (869x716)
N412363608C	N412363608CLG	36.00x36.00x8.00 (914x914x203)	NP3636C	NP3636CG	34.2x34.2 (869x869)
N412161210C	N412161210CLG	16.00x12.00x10.00 (406x305x254)	NP1612C	NP1612CG	14.2x10.2 (361x259)
N412161610C	N412161610CLG	16.00x16.00x10.00 (406x406x254)	NP1616C	NP1616CG	14.2x14.2 (361x361)
N412162010C	N412162010CLG	16.00x20.00x10.00 (406x508x254)	NP1620C	NP1620CG	14.2x18.2 (361x462)
N412201610C	N412201610CLG	20.00x16.00x10.00 (508x406x254)	NP2016C	NP2016CG	18.2x14.2 (462x361)
N412202010C	N412202010CLG	20.00x20.00x10.00 (508x508x254)	NP2020C	NP2020CG	18.2x18.2 (462x462)
N412202410C	N412202410CLG	20.00x24.00x10.00 (508x610x254)	NP2024C	NP2024CG	18.2x22.2 (462x564)
N412241610C	N412241610CLG	24.00x16.00x10.00 (610x406x254)	NP2416C	NP2416CG	22.2x14.2 (564x361)
N412242010C	N412242010CLG	24.00x20.00x10.00 (610x508x254)	NP2420C	NP2420CG	22.2x18.2 (564x462)
N412242410C	N412242410CLG	24.00x24.00x10.00 (610x610x254)	NP2424C	NP2424CG	22.2x22.2 (564x564)
N412243010C	N412243010CLG	24.00x30.00x10.00 (610x762x254)	NP3024C	NP3024CG	22.2x28.2 (564x716)
N412302010C	N412302010CLG	30.00x20.00x10.00 (762x508x254)	NP3020C	NP3020CG	28.2x18.2 (716x462)
N412302410C	N412302410CLG	30.00x24.00x10.00 (762x610x254)	NP3024C	NP3024CG	28.2x22.2 (716x564)
N412303010C	N412303010CLG	30.00x30.00x10.00 (762x762x254)	NP3030C	NP3030CG	28.2x28.2 (716x716)
N412362410C	N412362410CLG	36.00x24.00x10.00 (914x610x254)	NP3624C	NP3624CG	34.2x22.2 (869x564)
N412363010C	N412363010CLG	36.00x30.00x10.00 (914x762x254))	NP3630C	NP3630CG	34.2x28.2 (869x716)
N412363610C	N412363610CLG	36.00x36.00x10.00 (914x914x254)	NP3636C	NP3636CG	34.2x34.2 (869x869)
N412423610C	N412423610CLG	42.00x36.00x10.00 (1067x914x254)	NP4236C	NP4236CG	40.2x34.2 (1021x869)
N412482410C	N412482410CLG	48.00x24.00x10.00 (1219x610x254)	NP4824C	NP4824CG	46.2x22.2 (1173x564)
N412483610C	N412483610CLG	48.00x36.00x10.00 (1219x914x254)	NP4836C	NP4836CG	46.2x34.2 (1173x869)
N412603610C	N412603610CLG	60.00x36.00x10.00 (1524x914x254)	NP6036C	NP6036CG	58.2x34.2 (1478x869)
N412202012C	N412202012CLG	20.00x20.00x12.00 (508x508x305)	NP2020C	NP2020CG	18.2x18.2 (462x462)
N412242012C	N412242012CLG	24.00x20.00x12.00 (610x508x305)	NP2420C	NP2420CG	22.2x18.2 (564x462)
N412242412C	N412242412CLG	24.00x24.00x12.00 (610x610x305)	NP2424C	NP2424CG	22.2x22.2 (564x564)
N412302412C	N412302412CLG	30.00x24.00x12.00 (762x610x305)	NP3024C	NP3024CG	28.2x22.2 (716x564)
N412303012C	N412303012CLG	30.00x30.00x12.00 (762x762x305)	NP3030C	NP3030CG	28.2x28.2 (716x716)
N412362412C	N412362412CLG	36.00x24.00x12.00 (914x610x305)	NP3624C	NP3624CG	34.2x22.2 (869x564)
N412363012C	N412363012CLG	36.00x30.00x12.00 (914x762x305)	NP3630C	NP3630CG	34.2x28.2 (869x716)
N412363612C	N412363612CLG	36.00x36.00x12.00 (914x914x305)	NP3636C	NP3636CG	34.2x34.2 (869x869)
N412402412C	N412402412CLG	40.00x24.00x12.00 (1016x610x305)	NP4024C	NP4024CG	38.2x22.2 (970x564)
N412423612C	N412423612CLG	42.00x36.00x12.00 (1067x914x305)	NP4236C	NP4236CG	40.2x34.2 (1021x869)
N412482412C	N412482412CLG	48.00x24.00x12.00 (1219x610x305)	NP4824C	NP4824CG	46.2x22.2 (1173x564)
N412483612C	N412483612CLG	48.00x36.00x12.00 (1219x914x305)	NP4836C	NP4836CG	46.2x34.2 (1173x869)
N412603612C	N412603612CLG	60.00x36.00x12.00 (1524x914x305)	NP6036C	NP6036CG	58.2x34.2 (1478x869)
N412242416C	N412242416CLG	24.00x24.00x16.00 (610x610x406)	NP2424C	NP2424CG	22.2x22.2 (564x564)
N412363016C	N412363016CLG	36.00x30.00x16.00 (914x762x406)	NP3630C	NP3630CG	34.2x28.2 (869x716)
N412483616C	N412483616CLG	48.00x36.00x16.00 (1219x914x406)	NP4836C	NP4836CG	46.2x34.2 (1173x869)
N412242420C	N412242420CLG	24.00x24.00x20.00 (610x610x508)	NP2424C	NP2424CG	22.2x22.2 (564x564)
N412302420C	N412302420CLG	30.00x24.00x20.00 (762x610x508)	NP3024C	NP3024CG	28.2x22.2 (716x564)
N412363020C	N412363020CLG	36.00x30.00x20.00 (914x762x508)	NP3630C	NP3630CG	34.2x28.2 (869x716)

*Back panels must be ordered separately.



www.hubbell.com/wiegmann/en
Data Subject To Change Without Notice

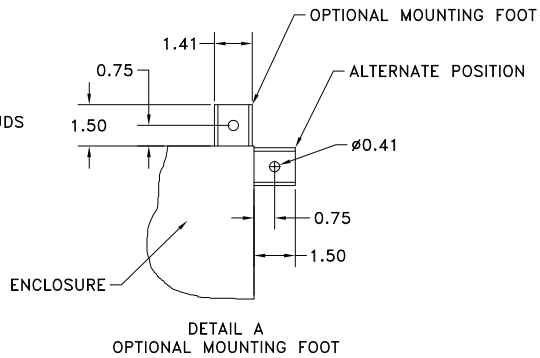




SECTION X-X

Notes:

1. Enclosures that are 24"x24" or larger receive two 1/4 turn latches. When H=40.00" or more a 3-point latch is provided.
2. Two hinges provided when H<36.00". Three hinges provided when H=36.00" or greater. Four hinges provided when H=48.00" or greater.



DETAIL A
OPTIONAL MOUNTING FOOT



N412202006WC

Industry Standards

cULus, Type 3R, 4, 12 & 13
NEMA/EEMAC Type 3R, 4, 12 & 13
IEC 60529, IP66

Wall mounting brackets required to maintain UL/CSA external mounting requirements.

 UL Files E64791, E470978

FEATURES-SPECIFICATIONS

Applications

N412WC ULTIMATE Series Enclosures are designed to house and protect electrical and electronic components in harsh, dirty environments. For use in installations where dirt, dust, oil, water, or other contaminants are present. Streamlined styling, flush latching, and attractive durable finish complement any high tech electronic equipment.

Construction

- Bodies and doors are fabricated from carbon steel
- Seams are continuously welded and ground smooth
- Increased tub opening for better access

- Concealed hinges
- Polycarbonate viewing window for clear visibility
- Doors are interchangeable and easily removed
- Grounding provisions are provided
- 1/4-turn semi-flush latches are supplied to hold door securely closed
- Doors are sealed with a poured in place gasket
- Mounting holes in the back of the enclosure
- Studs for mounting **optional** Ultimate Series back panels are provided

Finish

- ANSI 61 gray polyester powder inside and out
- An **optional** RAL7035 Textured light-gray polyester powder finish is available, but is made to order only (see reference table)
- **Optional** back panels are painted with a white polyester powder
- **Optional** "G" panels are pre-galvanized steel

Accessories

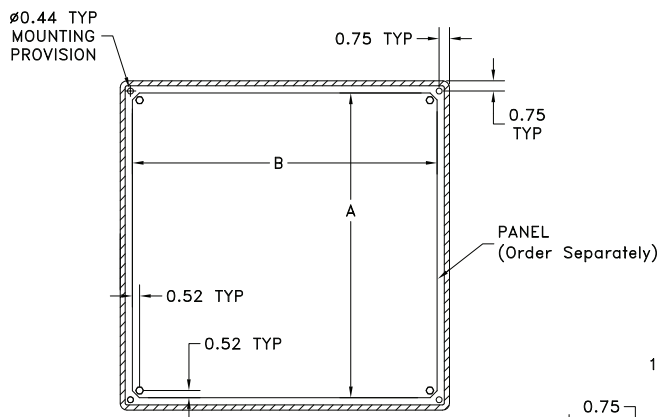
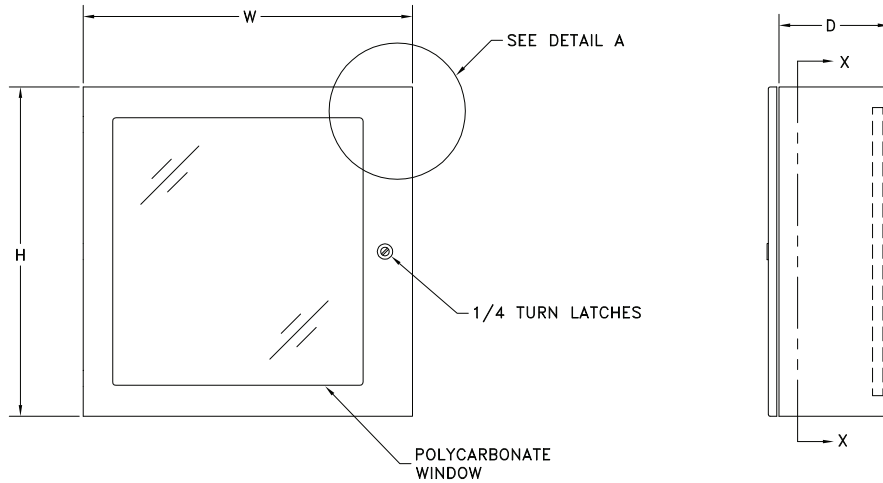
- Back panels (reference table)
- See pages L22-L24 for ULTIMATE Series Accessories
- **Optional** N412MFK mounting foot kit must be ordered separately

**N412 - WC ULTIMATE SERIES ENCLOSURES
NEMA 4 & 12 SINGLE DOOR WALL-MOUNT WITH WINDOW**

N412-WC ULTIMATE SERIES ENCLOSURES NEMA 4 & 12 SINGLE DOOR WALL-MOUNT WITH WINDOW

Catalog Number		Enclosure Size HxWxD	Viewable Window Area	Back Panel Catalog Number*		Back Panel Size A x B
Gray Ansi 61	Light Gray			White	"G"	
N412121206WC	N412121206WCLG	12.00x12.00x6.00 (305x305x152)	7.50x6.25 (191x159)	NP1212C	NP1212CG	10.2x10.2 (259x259)
N412161206WC	N412161206WCLG	16.00x12.00x6.00 (406x305x152)	11.50x6.25 (292x159)	NP1612C	NP1612CG	14.2x10.2 (361x259)
N412201606WC	N412201606WCLG	20.00x16.00x6.00 (406x406x152)	15.50x10.25 (394x260)	NP2016C	NP2016CG	18.2x14.2 (462x361)
N412202006WC	N412202006WCLG	20.00x20.00x6.00 (406x508x152)	15.50x14.25 (394x362)	NP2020C	NP2020CG	18.2x18.2 (462x462)
N412242006WC	N412242006WCLG	24.00x20.00x6.00 (508x406x152)	19.50x14.25 (495x362)	NP2420C	NP2420CG	22.2x18.2 (564x462)
N412242406WC	N412242406WCLG	24.00x24.00x6.00 (508x508x152)	19.50x18.25 (495x464)	NP2424C	NP2424CG	22.2x22.2 (564x564)
N412302406WC	N412302406WCLG	30.00x24.00x6.00 (610x406x152)	25.50x18.25 (648x464)	NP3024C	NP3024CG	28.2x22.2 (716x564)
N412121208WC	N412121208WCLG	12.00x12.00x8.00 (610x508x152)	7.50x6.25 (191x159)	NP1212C	NP1212CG	10.2x10.2 (259x259)
N412161208WC	N412161208WCLG	16.00x12.00x8.00 (610x610x152)	11.50x6.25 (292x159)	NP1612C	NP1612CG	14.2x10.2 (361x259)
N412201608WC	N412201608WCLG	20.00x16.00x8.00 (406x305x203)	15.50x10.25 (394x260)	NP2016C	NP2016CG	18.2x14.2 (462x361)
N412202008WC	N412202008WCLG	20.00x20.00x8.00 (406x406x203)	15.50x14.25 (394x362)	NP2020C	NP2020CG	18.2x18.2 (462x462)
N412242008WC	N412242008WCLG	24.00x20.00x8.00 (406x508x203)	19.50x14.25 (495x362)	NP2420C	NP2420CG	22.2x18.2 (564x462)
N412242408WC	N412242408WCLG	24.00x24.00x8.00 (508x406x203)	19.50x18.25 (495x464)	NP2424C	NP2424CG	22.2x22.2 (564x564)
N412302408WC	N412302408WCLG	30.00x24.00x8.00 (508x508x203)	25.50x18.25 (648x464)	NP3024C	NP3024CG	28.2x22.2 (716x564)
N412161210WC	N412161210WCLG	16.00x12.00x10.00 (508x610x203)	11.50x6.25 (292x159)	NP1612C	NP1612CG	14.2x10.2 (361x259)
N412201610WC	N412201610WCLG	20.00x16.00x10.00 (508x406x203)	15.50x10.25 (394x260)	NP2016C	NP2016CG	18.2x14.2 (462x361)
N412202010WC	N412202010WCLG	20.00x20.00x10.00 (508x508x203)	15.50x14.25 (394x362)	NP2020C	NP2020CG	18.2x18.2 (462x462)
N412242010WC	N412242010WCLG	24.00x20.00x10.00 (610x508x203)	19.50x14.25 (495x362)	NP2420C	NP2420CG	22.2x18.2 (564x462)
N412242410WC	N412242410WCLG	24.00x24.00x10.00 (610x610x203)	19.50x18.25 (495x464)	NP2424C	NP2424CG	22.2x22.2 (564x564)
N412302410WC	N412302410WCLG	30.00x24.00x10.00 (762x610x203)	25.50x18.25 (648x464)	NP3024C	NP3024CG	28.2x22.2 (716x564)
N412202012WC	N412202012WCLG	20.00x20.00x12.00 (508x508x203)	15.50x14.25 (394x362)	NP2020C	NP2020CG	18.2x18.2 (462x462)
N412242012WC	N412242012WCLG	24.00x20.00x12.00 (610x508x203)	19.50x14.25 (495x362)	NP2420C	NP2420CG	22.2x18.2 (564x462)
N412242412WC	N412242412WCLG	24.00x24.00x12.00 (610x610x203)	19.50x18.25 (495x464)	NP2424C	NP2424CG	22.2x22.2 (564x564)
N412302412WC	N412302412WCLG	30.00x24.00x12.00 (762x610x203)	25.50x18.25 (648x464)	NP3024C	NP3024CG	28.2x22.2 (716x564)
N412242416WC	N412242416WCLG	24.00x24.00x16.00 (610x610x203)	19.50x18.25 (495x464)	NP2424C	NP2424CG	22.2x22.2 (564x564)
N412242420WC	N412242420WCLG	24.00x24.00x20.00 (610x610x305)	19.50x18.25 (495x464)	NP2424C	NP2424CG	22.2x22.2 (564x564)
N412302420WC	N412302420WCLG	30.00x24.00x20.00 (610x610x305)	19.50x18.25 (495x464)	NP3024C	NP3024CG	28.2x22.2 (716x564)

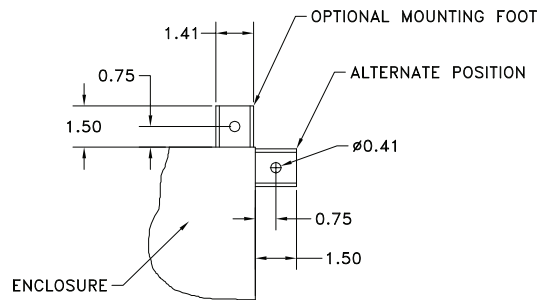
*Back panels must be ordered separately.



SECTION X-X

Notes:

1. Two hinges provided with each enclosure.
2. Enclosures that are 24"x24" or larger receive two 1/4 turn latches.



DETAIL A
OPTIONAL MOUNTING FOOT

N412 - 3PTC ULTIMATE SERIES ENCLOSURES NEMA 4 SINGLE DOOR WALL-MOUNT



N4122416083PTC

Industry Standards

cULus, Type 3R, 4, 12 & 13
NEMA/EEMAC Type 3R, 4, 12 & 13
IEC 60529, IP66

Wall mounting kits required to maintain UL/CSA external mounting requirements.

 UL File E64791, E470978

FEATURES-SPECIFICATIONS

Applications

N4123PTC ULTIMATE Series Enclosures are designed to house and protect electrical and electronic components in harsh, dirty environments. For use in installations where dirt, dust, oil, water, or other contaminants are present. Streamlined styling, flush latching, and attractive durable finish complement any high tech electronic equipment.

Construction

- Bodies and doors are fabricated from carbon steel.
- Seams are continuously welded and ground smooth

- Doors are interchangeable and easily removed
- Grounding studs are welded to the door and body assuring a positive ground
- Doors are sealed with a poured in place gasket
- Mounting holes in the back of the enclosure
- Studs for mounting **optional** Ultimate Series back panels are provided
- 3-point Keylocking/Padlocking combo handle

Finish

- ANSI 61 gray polyester powder inside and out
- **Optional** back panels are painted with a white polyester powder
- **Optional** "G" panels are pre-galvanized steel

Accessories

- **Optional** N412MFK mounting foot kit must be ordered separately
- Back panels (reference table)
- See pages L22-L24 for Ultimate Series accessories

N412-3PTC ULTIMATE SERIES ENCLOSURES NEMA 4 SINGLE DOOR WALL-MOUNT

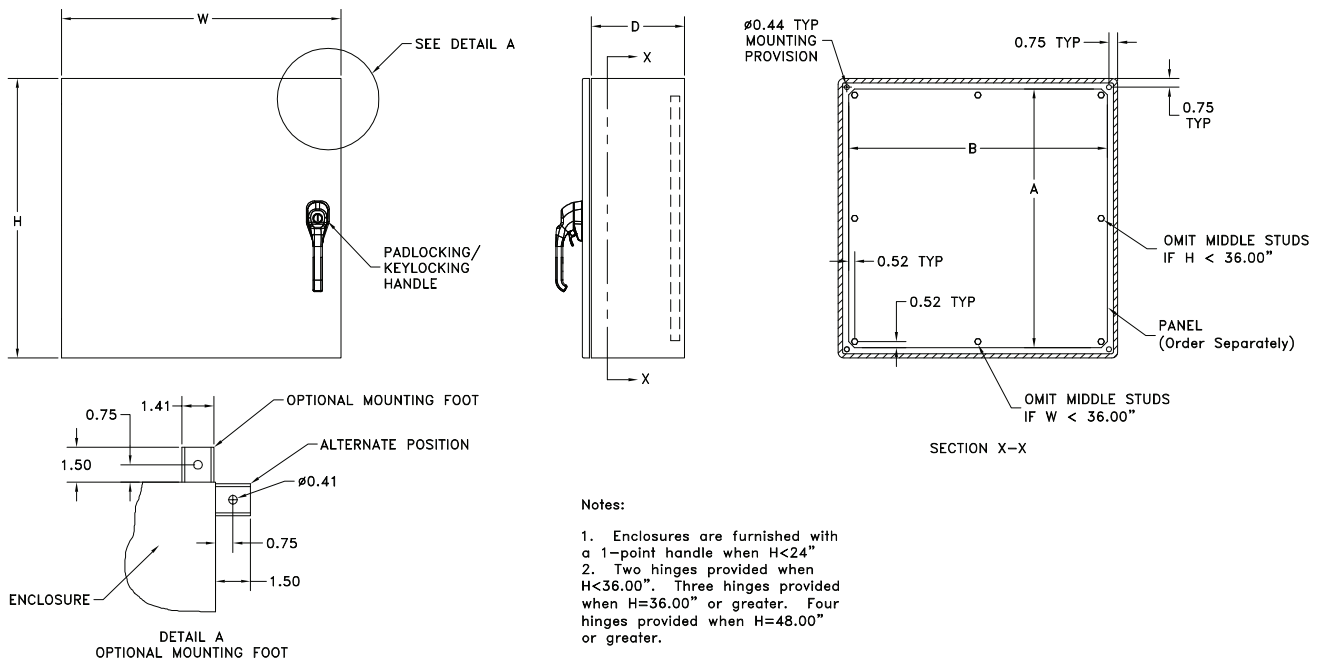
Catalog Number	Enclosure Size HxWxD	Back Panel Catalog Number*		Back Panel Size A x B
		White	"G"	
N4121212061PTC	12.00x12.00x6.00 (305x305x152)	NP1212C	NP1212CG	10.2x10.2 (259x259)
N4121612061PTC	16.00x12.00x6.00 (406x305x152)	NP1612C	NP1612CG	14.2x10.2 (361x259)
N4121616061PTC	16.00x16.00x6.00 (406x406x152)	NP1616C	NP1616CG	14.2x14.2 (361x361)
N4121620061PTC	16.00x20.00x6.00 (406x508x152)	NP1620C	NP1620CG	14.2x18.2 (361x462)
N4122016061PTC	20.00x16.00x6.00 (508x406x152)	NP2016C	NP2016CG	18.2x14.2 (462x361)
N4122020061PTC	20.00x20.00x6.00 (508x508x152)	NP2020C	NP2020CG	18.2x18.2 (462x462)
N4122416063PTC	24.00x16.00x6.00 (610x406x152)	NP2416C	NP2416CG	22.2x14.2 (564x361)
N4122420063PTC	24.00x20.00x6.00 (610x508x152)	NP2420C	NP2420CG	22.2x18.2 (564x462)
N4122424063PTC	24.00x24.00x6.00 (610x610x152)	NP2424C	NP2424CG	22.2x22.2 (564x564)
N4121612081PTC	16.00x12.00x8.00 (406x305x203)	NP1612C	NP1612CG	14.2x10.2 (361x259)
N4121616081PTC	16.00x16.00x8.00 (406x406x203)	NP1616C	NP1616CG	14.2x14.2 (361x361)
N4121620081PTC	16.00x20.00x8.00 (406x508x203)	NP1620C	NP1620CG	14.2x18.2 (361x462)
N4122016081PTC	20.00x16.00x8.00 (508x406x203)	NP2016C	NP2016CG	18.2x14.2 (462x361)
N4122020081PTC	20.00x20.00x8.00 (508x508x203)	NP2020C	NP2020CG	18.2x18.2 (462x462)
N4122024081PTC	20.00x24.00x8.00 (508x610x203)	NP2024C	NP2024CG	18.2x22.2 (462x564)
N4122416083PTC	24.00x16.00x8.00 (406x305x203)	NP2416C	NP2416CG	22.2x14.2 (564x361)
N4122420083PTC	24.00x20.00x8.00 (610x508x203)	NP2420C	NP2420CG	22.2x18.2 (564x462)
N4122424083PTC	24.00x24.00x8.00 (610x610x203)	NP2424C	NP2424CG	22.2x22.2 (564x564)
N4122430083PTC	24.00x30.00x8.00 (610x762x203)	NP3024C	NP3024CG	22.2x28.2 (564x716)

continued on page D17

N412-3PTC ULTIMATE SERIES ENCLOSURES NEMA 4 SINGLE DOOR WALL-MOUNT (CONT.)

Catalog Number	Enclosure Size HxWxD	Back Panel Catalog Number*		Back Panel Size A x B
		White	"G"	
N4123020083PTC	30.00x20.00x8.00 (762x508x203)	NP3020C	NP3020CG	28.2x18.2 (716x464)
N4123024083PTC	30.00x24.00x8.00 (762x610x203)	NP3024C	NP3024CG	28.2x22.2 (716x564)
N4123030083PTC	30.00x30.00x8.00 (762x762x203)	NP3030C	NP3030CG	28.2x28.2 (716x716)
N4123624083PTC	36.00x24.00x8.00 (914x610x203)	NP3624C	NP3624CG	34.2x22.2 (869x564)
N4123630083PTC	36.00x30.00x8.00 (914x508x305)	NP3630C	NP3630CG	34.2x28.2 (869x716)
N4123636083PTC	36.00x36.00x8.00 (914x914x203)	NP3636C	NP3636CG	34.2x34.2 (869x869)
N4122020121PTC	20.00x20.00x12.00 (508x508x305)	NP2020C	NP2020CG	18.2x18.2 (462x462)
N4122420123PTC	24.00x20.00x12.00 (610x508x305)	NP2420C	NP2420CG	22.2x18.2 (564x462)
N4122424123PTC	24.00x24.00x12.00 (610x610x305)	NP2424C	NP2424CG	22.2x22.2 (564x564)
N4123024123PTC	30.00x24.00x12.00 (762x610x305)	NP3024C	NP3024CG	28.2x22.2 (716x564)
N4123030123PTC	30.00x30.00x12.00 (762x762x305)	NP3030C	NP3030CG	28.2x28.2 (716x716)
N4123624123PTC	36.00x24.00x12.00 (914x610x305)	NP3624C	NP3624CG	34.2x22.2 (869x564)
N4123630123PTC	36.00x30.00x12.00 (914x762x305)	NP3630C	NP3630CG	34.2x28.2 (869x716)
N4123636123PTC	36.00x36.00x12.00 (914x914x305)	NP3636C	NP3636CG	34.2x34.2 (869x869)
N4124024123PTC	40.00x24.00x12.00 (1016x610x305)	NP4024C	NP4024CG	38.2x22.2 (970x564)
N4124236123PTC	42.00x36.00x12.00 (1067x914x305)	NP4236C	NP4236CG	40.2x34.2 (1021x869)
N4124824123PTC	48.00x24.00x12.00 (1219x610x305)	NP4824C	NP4824CG	46.2x22.2 (1173x564)
N4124836123PTC	48.00x36.00x12.00 (1219x914x305)	NP4836C	NP4836CG	46.2x34.2 (1173x869)
N4126036123PTC	60.00x36.00x12.00 (1524x914x305)	NP6036C	NP6036CG	58.2x34.2 (1478x869)
N4122424163PTC	24.00x24.00x16.00 (610x610x406)	NP2424C	NP2424CG	22.2x22.2 (564x564)
N4123630163PTC	36.00x30.00x16.00 (914x762x406)	NP3630C	NP3630CG	34.2x28.2 (869x716)
N4124836163PTC	48.00x36.00x16.00 (1219x914x406)	NP4836C	NP4836CG	46.2x34.2 (1173x869)
N4122424203PTC	24.00x24.00x20.00 (610x610x508)	NP2424C	NP2424CG	22.2x22.2 (564x564)
N4123024203PTC	30.00x24.00x20.00 (762x610x508)	NP3024C	NP3024CG	28.2x22.2 (716x564)
N4123630203PTC	36.00x30.00x20.00 (914x762x508)	NP3630C	NP3630CG	34.2x28.2 (869x716)

*Back panels must be ordered separately.



N412 - CST ULTIMATE SERIES ENCLOSURES NEMA 4 & 12 SLOPE-TOP SINGLE DOOR



N412241608CST

Industry Standards

cULus, Type 3R, 4, 12 & 13
NEMA/EEMAC Type 3R, 4, 12 & 13
IEC 60529, IP66

Wall mounting kits required to maintain UL/CSA external mounting requirements.

 UL File E64791, E470978

FEATURES-SPECIFICATIONS

Applications

N412CST ULTIMATE Series Enclosures are designed to house and protect electrical and electronic components in harsh, dirty environments. For use in installations where dirt, dust, oil, water, or other contaminants are present. Streamlined styling, flush latching, and attractive durable finish complement any high tech electronic equipment.

Construction

- Bodies and doors are fabricated from carbon steel
- Seams are continuously welded and ground smooth

- Increased tub opening for better access
- 20° sloped top
- Sloped "Top Tub Flange"
- Concealed hinges
- Doors are interchangeable and easily removed
- Grounding provisions are provided
- 1/4-turn semi-flush latches are supplied to hold door securely closed
- Doors are sealed with a poured in place gasket
- Mounting holes in the back of the enclosure
- Studs for mounting **optional** Ultimate Series back panels are provided

Finish

- ANSI 61 gray polyester powder inside and out
- **Optional** back panels are painted with a white polyester powder
- **Optional** "G" panels are pre-galvanized steel

Accessories

- **Optional** N412MFK mounting foot kit must be ordered separately
- See pages L22-L24 for Ultimate Series accessories
- Back panels (reference table)

N412 - CST ULTIMATE SERIES ENCLOSURES NEMA 4 & 12 SLOPE-TOP SINGLE DOOR

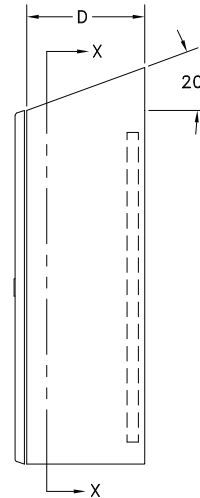
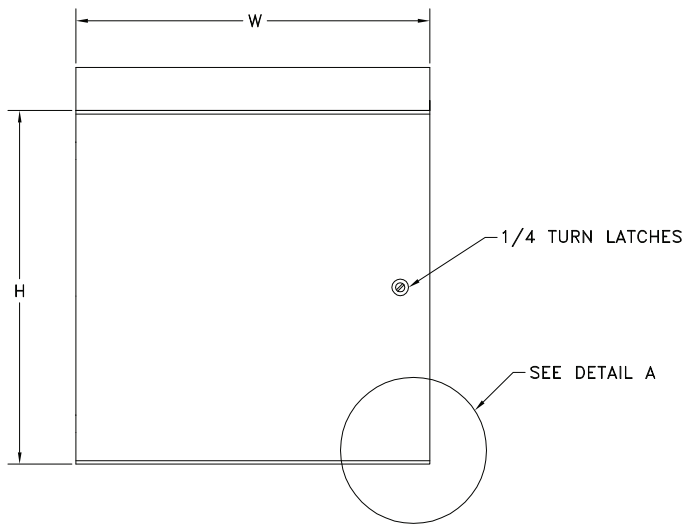
Catalog Number	Enclosure Size HxWxD	Back Panel Catalog Number*		Back Panel Size A x B
		White	"G"	
N412121206CST	12.00x12.00x6.00 (305x305x152)	NP1212C	NP1212CG	10.2x10.2 (259x259)
N412161206CST	16.00x12.00x6.00 (406x305x152)	NP1612C	NP1612CG	14.2x10.2 (361x259)
N412201606CST	20.00x16.00x6.00 (508x406x152)	NP2016C	NP2016CG	18.2x14.2 (462x361)
N412202006CST	20.00x20.00x6.00 (508x508x152)	NP2020C	NP2020CG	18.2x18.2 (462x462)
N412161608CST	16.00x16.00x8.00 (406x406x203)	NP1616C	NP1616CG	14.2x14.2 (361x361)
N412201608CST	20.00x16.00x8.00 (508x406x203)	NP2016C	NP2016CG	18.2x14.2 (462x361)
N412202008CST	20.00x20.00x8.00 (508x508x203)	NP2020C	NP2020CG	18.2x18.2 (462x462)
N412242008CST	24.00x20.00x8.00 (610x508x203)	NP2420C	NP2420CG	22.2x18.2 (564x462)
N412242408CST	24.00x24.00x8.00 (610x610x203)	NP2424C	NP2424CG	22.2x22.2 (564x564)
N412302408CST	30.00x24.00x8.00 (762x610x203)	NP3024C	NP3024CG	28.2x22.2 (716x564)
N412303008CST	30.00x30.00x8.00 (762x762x203)	NP3030C	NP3030CG	28.2x28.2 (716x716)
N412363008CST	36.00x30.00x8.00 (914x508x305)	NP3630C	NP3630CG	34.2x28.2 (869x716)
N412242410CST	24.00x24.00x10.00 (610x610x254)	NP2424C	NP2424CG	22.2x22.2 (564x564)
N412302410CST	30.00x24.00x10.00 (762x610x254)	NP3024C	NP3024CG	28.2x22.2 (716x564)
N412363010CST	36.00x30.00x10.00 (914x762x254)	NP3630C	NP3630CG	34.2x28.2 (869x716)
N412483610CST	48.00x36.00x10.00 (1219x914x254)	NP4836C	NP4836CG	46.2x34.2 (1173x869)
N412242412CST	24.00x24.00x12.00 (610x610x305)	NP2424C	NP2424CG	22.2x22.2 (564x564)
N412302412CST	30.00x24.00x12.00 (762x610x305)	NP3024C	NP3024CG	28.2x22.2 (716x564)
N412363012CST	36.00x30.00x12.00 (914x762x305)	NP3630C	NP3630CG	34.2x28.2 (869x716)

continued on page D19

N412 - CST ULTIMATE SERIES ENCLOSURES NEMA 4 & 12 SLOPE-TOP SINGLE DOOR (CONT.)

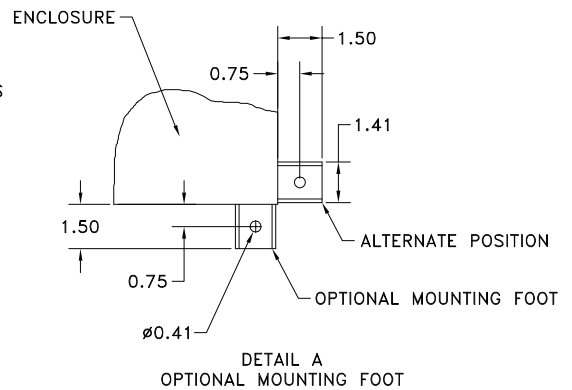
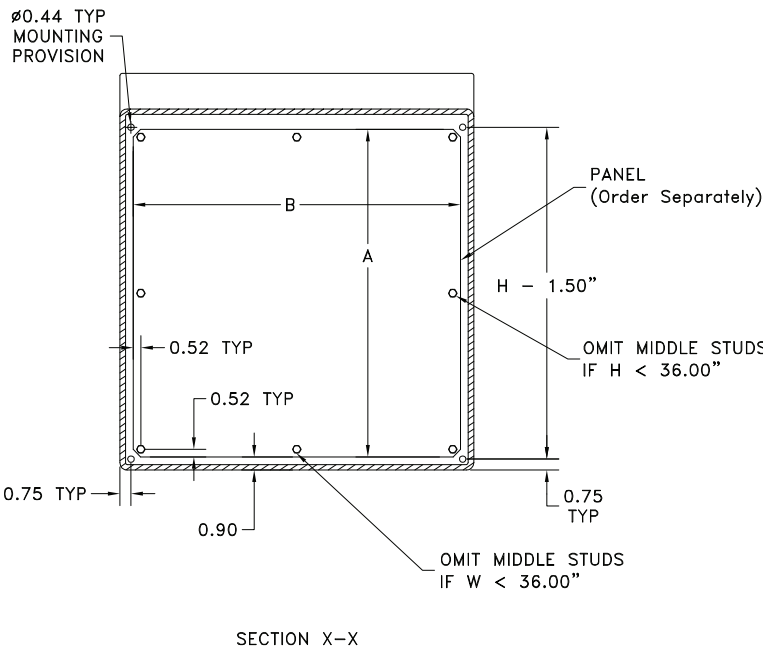
Catalog Number	Enclosure Size HxWxD	Back Panel Catalog Number*		Back Panel Size A x B
		White	"G"	
N412363612CST	36.00x36.00x12.00 (914x914x305)	NP3636C	NP3636CG	34.2x34.2 (869x869)
N412483612CST	48.00x36.00x12.00 (1219x914x305)	NP4836C	NP4836CG	46.2x34.2 (1173x869)
N412603612CST	60.00x36.00x12.00 (1524x914x305)	NP6036C	NP6036CG	58.2x34.2 (1478x869)
N412363016CST	36.00x30.00x16.00 (914x762x406)	NP3630C	NP3630CG	34.2x28.2 (869x716)
N412483616CST	48.00x36.00x16.00 (1219x914x406)	NP4836C	NP4836CG	46.2x34.2 (1173x869)
N412302420CST	30.00x24.00x20.00 (762x610x508)	NP3024C	NP3024CG	28.2x22.2 (716x564)

*Back panels must be ordered separately.



Notes:

1. Enclosures that are 24"X24" or larger receive two 1/4 -turn latches. When H=40" or more a 3-point latch is provided.
2. Two hinges provided when H<36.00". Three hinges provided when H=36.00" or greater. Four hinges provided when H=48.00" or greater.



**N412-CGP ULTIMATE™ SERIES ENCLOSURES
SINGLE DOOR WALL MOUNT WITH REMOVABLE GLAND PLATE**



Industry Standards

cULus, Type 3R, 4, 12 & 13
NEMA/EEMAC Type 3R, 4, 12 & 13
Wall mounting kits required to maintain UL/CSA external mounting requirements.

 UL File E64791, E470978

FEATURES-SPECIFICATIONS

Applications

N412-CGP ULTIMATE™ Series Enclosures with removable gland plate are designed to house and protect electrical and electronic components in harsh, dirty environments. The fully gasketed gland plate can be removed for easy drilling and hole tapping without disturbing the integrity of the enclosure. For use in installations where dirt, dust, oil, water, or other contaminants are present. Streamlined styling, flush latching, and attractive durable finish complement any high tech electronic equipment. (Enclosure includes Gland Plate)

Construction

- Bodies, doors and Gland Plates are fabricated from carbon steel
- Seams are continuously welded and ground smooth
- Increased tub opening for better access
**Back panels must be ordered separately.*
- Concealed hinges
- Doors are interchangeable and easily removed
- Grounding provisions are provided
- 1/4-turn semi-flush latches are supplied to hold door securely closed
- Doors are sealed with a poured in place gasket

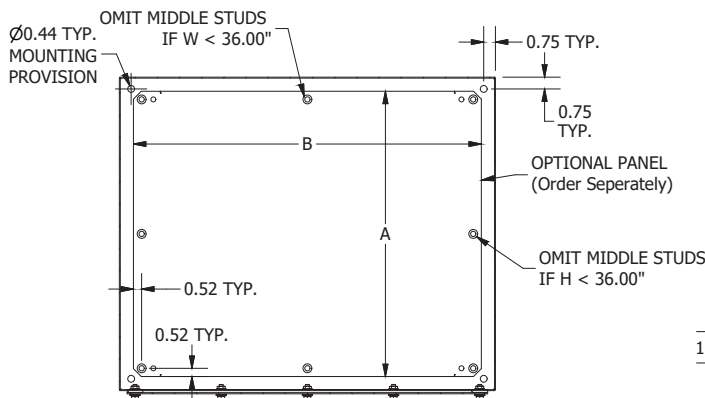
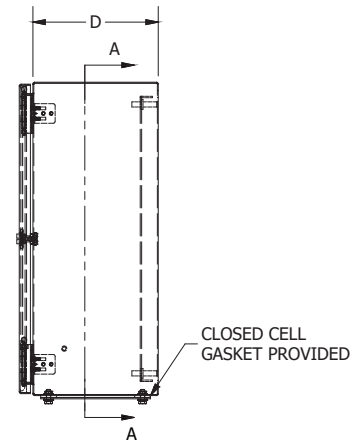
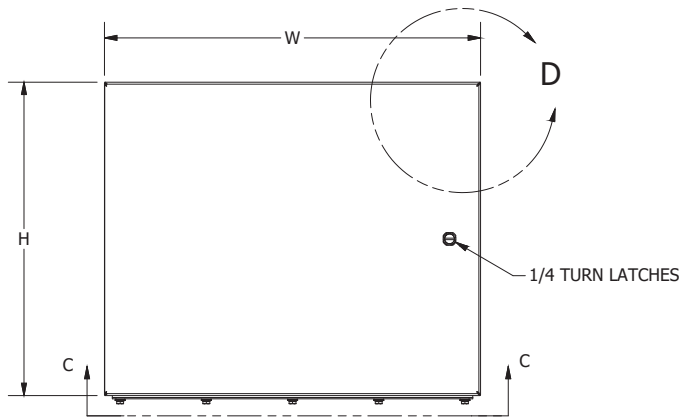
- Mounting holes in the back of the enclosure
- Studs for mounting optional Ultimate Series back panels are provided
- **Finish** ANSI-61 polyester powder inside and outside
- **Optional** back panels are painted with a white polyester powder
- **Optional** "G" panels are pre-galvanized steel

Accessories

- Optional N412MFK mounting foot kit must be ordered separately
- Back panels (reference table)
- See pages L22-L24 for Ultimate Series Accessories

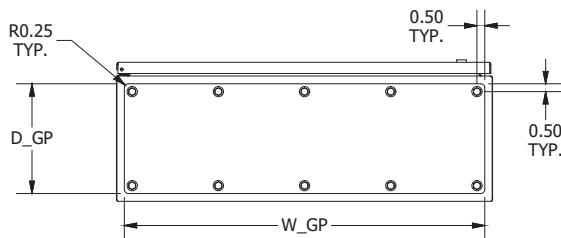
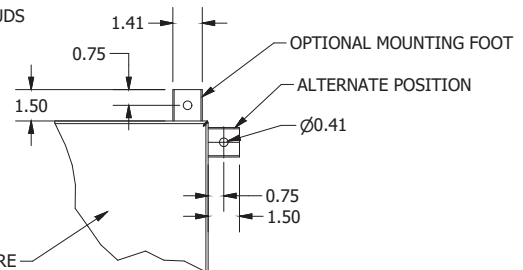
N412-CGP SERIES DOUBLE DOOR WALL MOUNT ENCLOSURES

Catalog Number	Enclosure Size HxWxD	Back Panel Catalog Number*		Back Panel Size A x B	Replacement Gland Plate	Gland Plate Dimensions
		White	"G"			
N412121206CGP	12" x 12" x 6"	NP1212C	NP1212CG	10.2x10.2 (259x259)	GP1206	11 x 5 (279 x 127)
N412161206CGP	16" x 12" x 6"	NP1612C	NP1612CG	14.2x10.2 (361x259)	GP1206	11 x 5 (279 x 127)
N412161606CGP	16" x 16" x 6"	NP1616C	NP1616CG	14.2x14.2 (361x361)	GP1606	15 x 5 (381 x 127)
N412201606CGP	20" x 16" x 6"	NP2016C	NP2016CG	18.2x14.2 (462x361)	GP1608	15 x 7 (381 x 203)
N412161608CGP	16" x 16" x 8"	NP1616C	NP1616CG	14.2x14.2 (361x361)	GP1606	15 x 4 (381 x 101)
N412201608CGP	20" x 16" x 8"	NP2016C	NP2016CG	18.2x14.2 (462x361)	GP1608	15 x 7 (381 x 203)
N412202008CGP	20" x 20" x 8"	NP2020C	NP2020CG	18.2x18.2 (462x462)	GP2008	19 x 7 (482 x 203)
N412242408CGP	24" x 24" x 8"	NP2424C	NP2424CG	22.2x22.2 (564x564)	GP2408	23 x 7 (584 x 203)
N412302408CGP	30" x 24" x 8"	NP3024C	NP3024CG	28.2x22.2 (716x564)	GP2408	23 x 7 (584 x 203)
N412362408CGP	36" x 24" x 08"	NP3624C	NP3624CG	34.2x22.2 (869x564)	GP2408	23 x 7 (584 x 203)
N412242410CGP	24" x 24" x 10"	NP2424C	NP2424CG	22.2x22.2 (564x564)	GP2410	23 x 9 (584 x 228)
N412302410CGP	30" x 24" x 10"	NP3024C	NP3024CG	28.2x22.2 (716x564)	GP2410	23 x 9 (584 x 228)
N412362410CGP	36" x 24" x 10"	NP3624C	NP3624CG	34.2x22.2 (869x564)	GP2410	23 x 9 (584 x 228)
N412242412CGP	24" x 24" x 12"	NP2424C	NP2424CG	22.2x22.2 (564x564)	GP2412	23 x 11 (584 x 279)
N412302412CGP	30" x 24" x 12"	NP3024C	NP3024CG	28.2x22.2 (716x564)	GP2412	23 x 11 (584 x 279)
N412362412CGP	36" x 24" x 12"	NP3624C	NP3624CG	34.2x22.2 (869x564)	GP2412	23 x 11 (584 x 279)
N412363012CGP	36" x 30" x 12"	NP3630C	NP3630CG	34.2x28.2 (869x716)	GP3012	29 x 11 (736 x 279)
N412363612CGP	36" x 36" x 12"	NP3636C	NP3636CG	34.2x34.2 (869x869)	GP3612	35 x 11 (889 x 279)



Notes:

1. Enclosures that are 24"x24" or larger receive two 1/4 turn latches. When H=40.00" or more a 3-point latch is provided.
2. Two hinges provided when H<36.00" or greater. Four hinges provided when H=48.00" or greater.



VIEW C-C

**N412D-C ULTIMATE™ SERIES ENCLOSURES
DOUBLE DOOR WALL MOUNT**



Industry Standards

cULus, Type 3R, 4, 12 & 13
NEMA/EEMAC Type 3R, 4, 12 & 13
IEC 60529, IP66

Wall mounting kits required to maintain UL/CSA external mounting requirements.

 UL File E64791, E470978

FEATURES-SPECIFICATIONS

Applications

The N412D_C ULTIMATE™ Series two door enclosure is designed to house and protect electrical and electronic components in harsh, dirty environments. For use in installations where dirt, dust, oil, water and other contaminants are present.

Construction

- Bodies, and doors are fabricated from carbon steel

- Seams are continuously welded and ground smooth
- Increased tub opening for easier access
- Grounding provisions are provided
- Doors are sealed with a poured in place gasket
- Studs for mounting Ultimate Series back panels are provided

Finish

- ANSI-61 polyester powder inside and outside

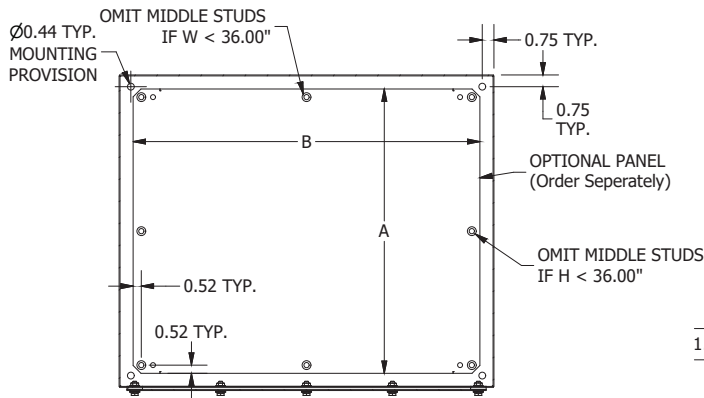
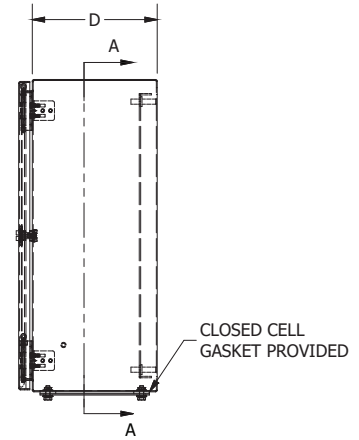
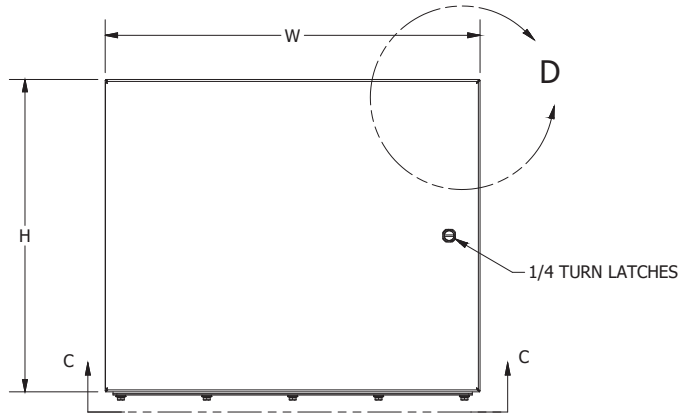
- **Optional** back panels are painted with a white polyester powder
- **Optional** "G" panels are pre-galvanized steel

Accessories

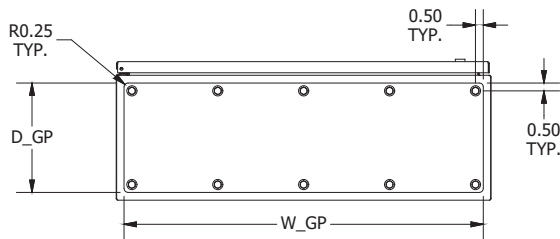
- Back panels (reference table)
- See pages L22-L24 for ULTIMATE Series Accessories
- Optional N412MFK mounting foot kit must be ordered separately

N412D-C SERIES DOUBLE DOOR WALL MOUNT ENCLOSURES

Catalog Number	Enclosure Size HxWxD	Back Panel Catalog Number*		Back Panel Size A x B
		White	"G"	
N412D243608C	24" x 36" x 8"	NP3624C	NP3624CG	34.2 x 22.2 (869x564)
N412D244208C	24" x 42" x 8"	NP4224C	NP4224CG	40.2 x 22.2 (1021x564)
N412D244808C	24" x 48" x 8"	NP4824C	NP4824CG	46.2 x 22.2 (1173 x564)
N412D304210C	30" x 42" x 10"	NP4230C	NP4230CG	40.2 x 28.2 (1021x 716)
N412D304810C	30" x 48" x 10"	NP4830C	NP4830CG	46.2 x 28.2 (1173x 716)
N412D306010C	30" x 60" x 10"	NP6030C	NP6030CG	58.2 x 28.2 (1478x 716)
N412D364212C	36" x 42" x 12"	NP4236C	NP4236CG	40.2 x 34.2 (1021x869)
N412D364812C	36" x 48" x 12"	NP4836C	NP4836CG	46.2 x 34.2 (1173x869)
N412D366012C	36" x 60" x 12"	NP6036C	NP6036CG	58.2 x 34.2 (1478x869)
N412D424212C	42" x 42" x 12"	NP4242C	NP4242CG	40.2 x 40.2 (1021x1021)
N412D424812C	42" x 48" x 12"	NP4842C	NP4842CG	46.2 x 40.2 (1173x1021)
N412D426012C	42" x 60" x 12"	NP6042C	NP6042CG	58.2 x 40.2 (1478x1021)
N412D484812C	48" x 48" x 12"	NP4848C	NP4848CG	46.2 x 46.2 (1173x 1173)



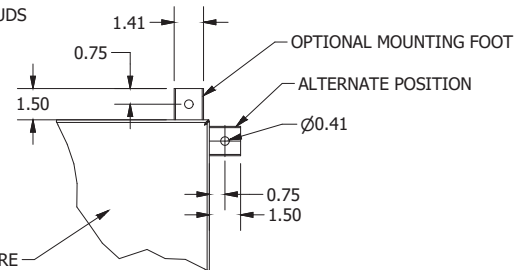
SECTION A-A



VIEW C-C

Notes:

1. Enclosures that are 24"x24" or larger receive two 1/4 turn latches. When H=40.00" or more a 3-point latch is provided.
2. Two hinges provided when H<36.00" or greater. Four hinges provided when H=48.00" or greater.



DETAIL D

**N4 SERIES ENCLOSURES
NEMA 4 SINGLE DOOR WALL-MOUNT**



N4161206

Industry Standards

cULus, Type 4, 12 & 13
NEMA/EEMAC Type 4, 12 & 13
IEC 60529, IP66

 UL Files E64791, E470978

FEATURES-SPECIFICATIONS

Applications

Designed to house electronic controls, instruments, components, and associated wiring. These enclosures incorporate hinged doors which provide convenient access. Intended for indoor or outdoor use in protecting components from dust, dirt, oil, and hose directed water.

Construction

- Bodies and doors are fabricated from carbon steel
- Seams are continuously welded and ground smooth

- Door and body stiffeners are provided in larger enclosures for added rigidity
- Rolled lip on three sides of the door and all sides of the enclosure opening to exclude liquids and contaminants
- Quick and easy to operate stainless steel door clamps are provided
- Doors are removable by pulling stainless steel continuous hinge pin
- Hasp and staple are provided for padlocking
- Doors are sealed with a poured in place gasket

- Collar studs for mounting **optional** back panels are provided
- External mounting feet are provided
- Grounding provisions are provided

Finish

- ANSI-61 polyester powder inside and outside
- **Optional** back panels are painted with a white polyester powder
- **Optional** "G" panels are pre-galvanized steel

Accessories

- Back panels (reference table)
- See pages L1-L24

N4 SERIES SINGLE DOOR WALL-MOUNT ENCLOSURES

Catalog Number	Enclosure Size HxWxD	Back Panel Catalog Number*		Back Panel Size A x B
		White	"G"	
N4161206	16.00x12.00x6.00 (406x305x152)	NP1612	NP1612G	13.00x9.00 (330x229)
N4161606	16.00x16.00x6.00 (406x406x152)	NP1616	NP1616G	13.00x13.00 (330x330)
N4162006	16.00x20.00x6.00 (406x508x152)	NP2016	NP2016G	13.00x17.00 (330x432)
N4201606	20.00x16.00x6.00 (508x406x152)	NP2016	NP2016G	17.00x13.00 (432x330)
N4202006	20.00x20.00x6.00 (508x508x152)	NP2020	NP2020G	17.00x17.00 (432x432)
N4241206	24.00x12.00x6.00 (610x305x152)	NP1224	NP1224G	21.00x9.00 (533x229)
N4241606	24.00x16.00x6.00 (610x406x152)	NP2416	NP2416G	21.00x13.00 (533x330)
N4242006	24.00x20.00x6.00 (610x508x152)	NP2420	NP2420G	21.00x17.00 (533x432)
N4242406	24.00x24.00x6.00 (610x610x152)	NP2424	NP2424G	21.00x21.00 (533x533)
N4302006	30.00x20.00x6.00 (762x508x152)	NP3020	NP3020G	27.00x17.00 (686x432)
N4302406	30.00x24.00x6.00 (762x610x152)	NP3024	NP3024G	27.00x21.00 (686x533)
N4362406	36.00x24.00x6.00 (914x610x152)	NP3624	NP3624G	33.00x21.00 (838x533)
N4161208	16.00x12.00x8.00 (406x305x203)	NP1612	NP1612G	13.00x9.00 (330x229)
N4201608	20.00x16.00x8.00 (508x406x203)	NP2016	NP2016G	17.00x13.00 (432x330)
N4202008	20.00x20.00x8.00 (508x508x203)	NP2020	NP2020G	17.00x17.00 (432x432)
N4202408	20.00x24.00x8.00 (508x610x203)	NP2420	NP2420G	21.00x17.00 (533x432)
N4242008	24.00x20.00x8.00 (610x508x203)	NP2420	NP2420G	21.00x17.00 (533x432)
N4242408	24.00x24.00x8.00 (610x610x203)	NP2424	NP2424G	21.00x21.00 (533x533)

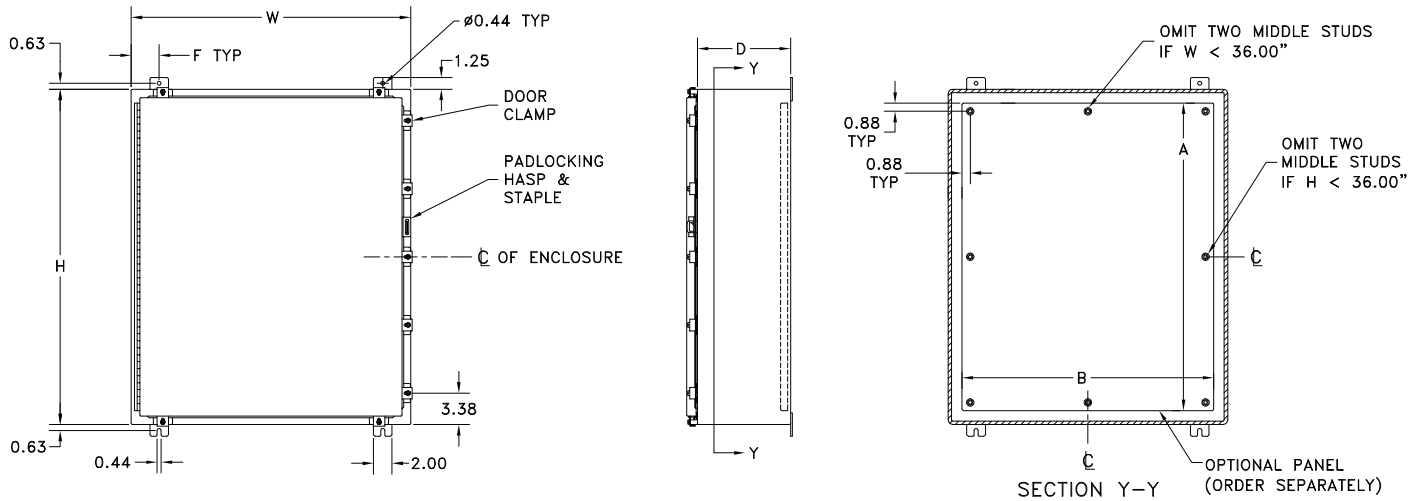
*Back panels must be ordered separately.

continued on page D21

N4 SERIES SINGLE DOOR WALL-MOUNT ENCLOSURES (CONT.)

Catalog Number	Enclosure Size HxWxD	Back Panel Catalog Number*		Back Panel Size A x B
		White	"G"	
N4243008	24.00x30.00x8.00 (610x762x203)		NP3024G	21.00x27.00 (533x686)
N4302008	30.00x20.00x8.00 (762x508x203)	NP3020	NP3020G	27.00x17.00 (686x432)
N4302408	30.00x24.00x8.00 (762x610x203)	NP3024	NP3024G	27.00x21.00 (686x533)
N4303008	30.00x30.00x8.00 (762x762x203)	NP3030	NP3030G	27.00x27.00 (686x686)
N4362408	36.00x24.00x8.00 (914x610x203)	NP3624	NP3624G	33.00x21.00 (838x533)
N4363008	36.00x30.00x8.00 (914x762x203)	NP3630	NP3630G	33.00x27.00 (838x686)
N4423008	42.00x30.00x8.00 (1067x762x203)	NP4230	NP4230G	39.00x27.00 (991x686)
N4423608	42.00x36.00x8.00 (1067x914x203)	NP4236	NP4236G	39.00x33.00 (991x838)
N4483608	48.00x36.00x8.00 (1219x914x203)	NP4836	NP4836G	45.00x33.00 (1143x838)
N4603608	60.00x36.00x8.00 (1524x914x203)	NP6036	NP6036G	57.00x33.00 (1448x838)
N4201610	20.00x16.00x10.00 (508x406x254)	NP2016	NP2016G	17.00x13.00 (432x330)
N4242010	24.00x20.00x10.00 (610x508x254)	NP2420	NP2420G	21.00x17.00 (533x432)
N4302410	30.00x24.00x10.00 (762x610x254)	NP3024	NP3024G	27.00x21.00 (686x533)
N4363010	36.00x30.00x10.00 (914x762x254)	NP3630	NP3630G	33.00x27.00 (838x686)
N4483010	48.00x30.00x10.00 (1219x762x254)	NP4830	NP4830G	45.00x27.00 (1143x686)
N4483610	48.00x36.00x10.00 (1219x914x254)	NP4836	NP4836G	45.00x33.00 (1143x838)
N4603610	60.00x36.00x10.00 (1524x914x254)	NP6036	NP6036G	57.00x33.00 (1448x838)
N4302412	30.00x24.00x12.00 (762x610x305)	NP3024	NP3024G	27.00x21.00 (686x533)
N4363012	36.00x30.00x12.00 (914x762x305)	NP3630	NP3630G	33.00x27.00 (838x686)
N4483612	48.00x36.00x12.00 (1219x914x305)	NP4836	NP4836G	45.00x33.00 (1143x838)
N4363016	36.00x30.00x16.00 (914x762x406)	NP3630	NP3630G	33.00x27.00 (838x686)
N4483616	48.00x36.00x16.00 (1219x914x406)	NP4836	NP4836G	45.00x33.00 (1143x838)
N4603616	60.00x36.00x16.00 (1524x914x406)	NP6036	NP6036G	57.00x33.00 (1448x838)

*Back panels must be ordered separately.



NOTES:

1. Panels have flanges along all sides when either dimension exceeds 17".
2. The number of door clamps is dependent on size of enclosure. Clamps are furnished along three sides of door.
3. F = 3" when W is 16" or greater and 1-1/4" when W is 12" or less.



N4D624810

Industry Standards
cULus, Type 4 & 12
NEMA/EEMAC Type 4 & 12

UL File E64791, E470978

FEATURES-SPECIFICATIONS

Applications

Designed to house electrical and electronic controls, components, and instruments in wet non-corrosive environments. Enclosures are suitable for indoor or outdoor use that may require hose down.

Construction

- Bodies, doors, and floor stand feet are fabricated from carbon steel
- Seams are continuously welded and ground smooth
- Body stiffeners added for extra rigidity
- Rolled lip around three sides of the door and along the top of the enclosure opening excludes liquids and contaminants

- Quick and easy to operate stainless steel door clamps around three sides of the doors are provided
- Heavy gauge continuous hinges are provided to secure doors
- Doors are removable by pulling stainless steel continuous hinge pin
- Hasp and staple are provided for padlocking
- Standard 12" high floor kits are welded to the bottom of the enclosure
- Heavy-duty removable lifting eyes
- Collar studs for mounting **optional** back panels are provided
- Removable center post permits easy panel installations

- Doors are sealed with a poured in place gasket
- Grounding provisions are provided

Finish

- ANSI-61 gray polyester powder inside and out
- **Optional** back panels are painted with a white polyester powder
- **Optional** "G" panels are pre-galvanized steel

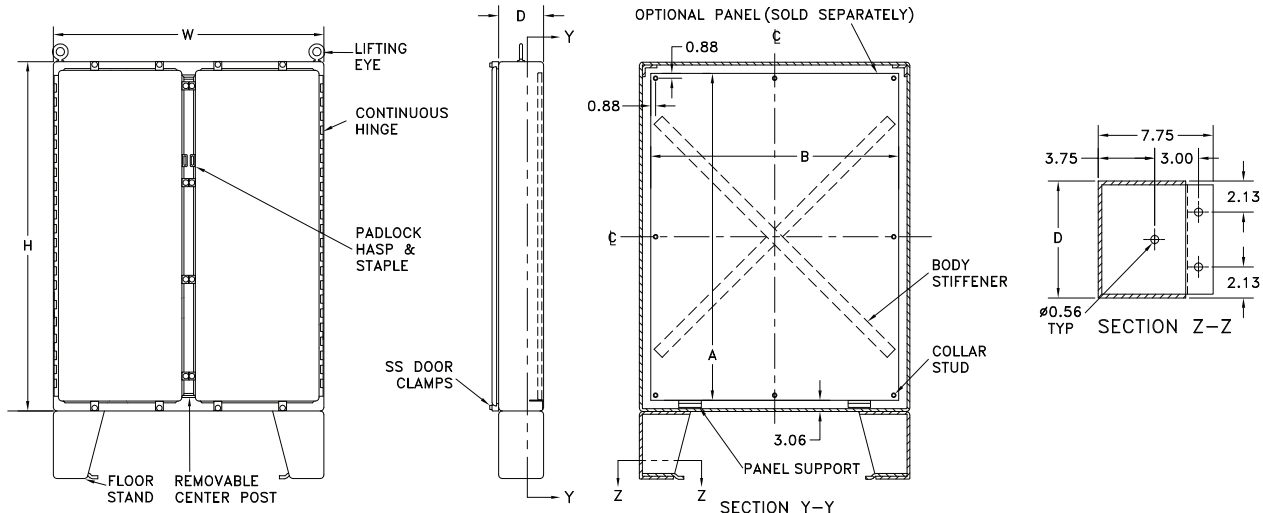
Accessories

- Back panels (reference table)
- See pages L1-L24

N4D SERIES NEMA 4 FLOOR-MOUNT ENCLOSURES

Catalog Number	Enclosure Size HxWxD	Back Panel Catalog Number*		Back Panel Size A x B
		White	"G"	
N4D624810	62.12x48.12x10.12 (1578x1222x257)	NPDD6048	NPDD6048G	56.00x44.00 (1422x1118)
N4D626012	62.12x60.12x12.12 (1578x1527x308)	NPDD6060	NPDD6060G	56.00x56.00 (1422x1422)
N4D746012	74.12x60.12x12.12 (1883x1527x308)	NPDD7260	NPDD7260G	68.00x56.00 (1727x1422)
N4D747212	74.12x72.12x12.12 (1883x1832x308)	NPDD7272	NPDD7272G	68.00x68.00 (1727x1727)
N4D747224	74.12x72.12x24.12 (1883x1832x613)	NPDD7272	NPDD7272G	68.00x68.00 (1727x1727)

*Back panels must be ordered separately.





N4S723724FS

Industry Standards
cULus, Type 4 & 12
NEMA/EEMAC Type 4 & 12

 UL File E64791, E470978

FEATURES-SPECIFICATIONS

Applications

Designed to house electrical and electronic controls, terminals, and instruments in areas that are regularly hosed down or are otherwise very wet. Also suitable for outdoor applications.

Construction

- Bodies and doors are fabricated from carbon steel
- Seams are continuously welded and ground smooth
- Mounting channels are welded horizontally to the interior body.

Optional swing panels and rack angles can be mounted anywhere along the mounting channels

- Rolled lip around three sides of the door and along the top of the enclosure opening excludes liquids and contaminants
- Quick and easy to operate stainless steel door clamps around three sides of doors
- Heavy gauge continuous hinge
- Doors are removable by pulling stainless steel continuous hinge pin
- Hasp and staple are provided for

padlocking

- Heavy-duty removable lifting eyes
- Doors are sealed with a poured in place gasket
- Grounding provisions are provided

Finish

- ANSI-61 gray polyester powder inside and out
- **Optional** back panels are painted with a white polyester powder

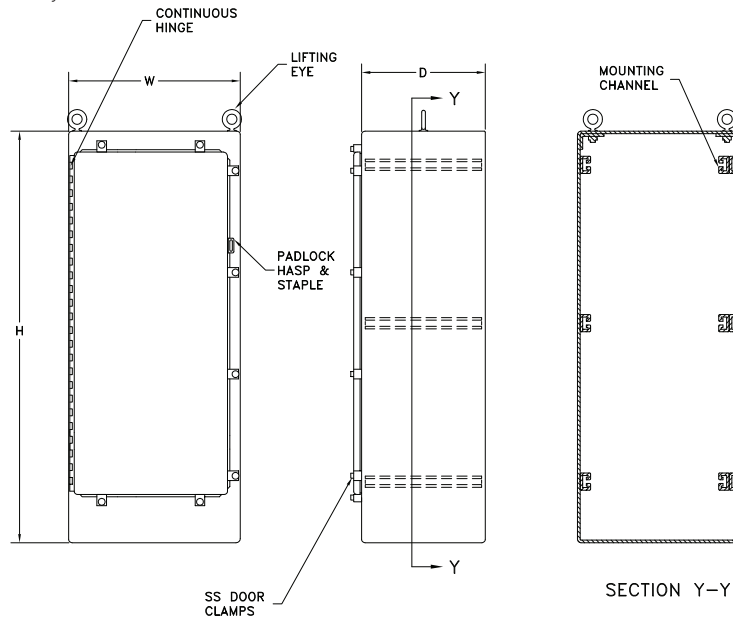
Accessories

- Back panels (reference table)
- See pages L1-L24

N4S-FS SERIES SINGLE DOOR FREESTANDING ENCLOSURES

Catalog Number	Enclosure Size HxWxD	Back Panels Catalog Number*
N4S722518FS	72.12x25.12x18.12 (1832x638x460)	WA72P24F1 (60.00X20.00)
N4S723124FS	72.12x31.12x24.12 (1832x790x613)	WA72P30F1 (60.00X26.00)
N4S723724FS	72.12x37.12x24.12 (1832x943x613)	WA72P36F1 (60.00X32.00)

*Back panels must be ordered separately.



**N4D - 3PT SERIES ENCLOSURES
NEMA 4 TWO DOOR FLOOR-MOUNT**



Industry Standards

cULus, Type 4 & 12
CSA Certified, Type 12
NEMA/EEMAC Type 4 & 12

 UL File E64791, E470978

FEATURES-SPECIFICATIONS

Applications

Designed to house electrical and electronic controls, components, and instruments in wet non-corrosive environments. Enclosures are suitable for indoor or outdoor use that may require hose down.

Construction

- Bodies, doors, and floor stand feet are fabricated from carbon steel
- Seams are continuously welded and ground smooth
- Body stiffeners are added for extra rigidity

- Rolled lip around three sides of the door and along the top of the enclosure opening excludes liquids and contaminants
- 3-point Keylocking/Padlocking combo handle
- Heavy gauge continuous hinges are provided to secure doors
- Doors are removable by pulling stainless steel continuous hinge pin
- Standard 12" high floor kits are welded to the bottom of the enclosure
- Heavy-duty removable lifting eyes
- Collar studs for mounting **optional** back panels are provided
- Removable center post permits easy panel installations

- Doors are sealed with a poured in place gasket
- Grounding provisions are provided

Finish

- ANSI-61 gray polyester powder inside and out
- **Optional** back panels are painted with a white polyester powder
- **Optional** "G" panels are pre-galvanized steel

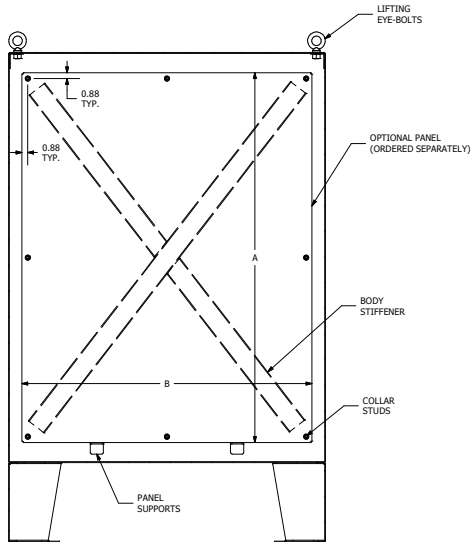
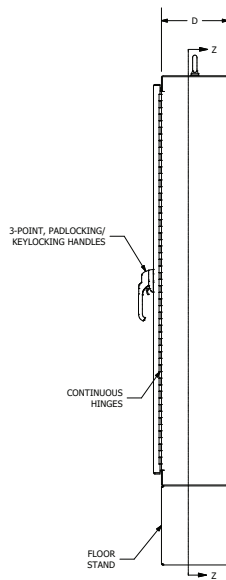
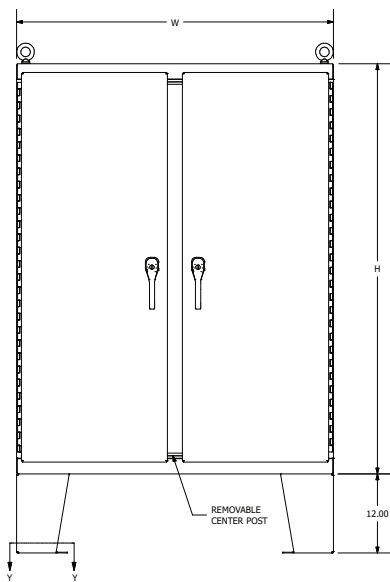
Accessories

- Back panels (reference table)
- See pages L1-L24

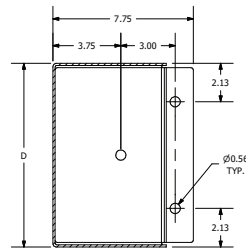
N4D-3PT SERIES FLOOR-MOUNT ENCLOSURES

Catalog Number	Enclosure Size HxWxD	Back Panel Catalog Number*		Back Panel Size A x B
		White	"G"	
N4D6248103PT	62.00x48.00x10.00 (1578x1222x257)	NPDD6048	NPDD6048G	56.00x44.00 (1422x1118)
N4D6260123PT	62.00x60.00x12.00 (1578x1527x308)	NPDD6060	NPDD6060G	56.00x56.00(1422x1422)
N4D7460123PT	74.00x60.00x12.00 (1883x1527x308)	NPDD7260	NPDD7260G	68.00x56.00 (1727x1422)
N4D7472123PT	74.00x72.00x12.00 (1883x1832x308)	NPDD7272	—	68.00x68.00 (1727x1727)
N4D7472243PT	74.00x72.00x24.00 (1883x1832x613)	NPDD7272	—	68.00x68.00 (1727x1727)

*Back panels must be ordered separately.



SECTION Z-Z



SECTION Y-Y

**WA - FSN43PT SERIES ENCLOSURES
NEMA 4 SINGLE DOOR FREESTANDING**



Industry Standards
cULus, Type 4 & 12
NEMA/EEMAC Type 4 & 12



FEATURES-SPECIFICATIONS

Applications

Designed to house electronic controls, terminals, and instruments in areas that are regularly hosed down or are otherwise very wet. Enclosures are also suitable for outdoor applications.

Construction

- Bodies and doors are fabricated from carbon steel
- Seams are continuously welded and ground smooth
- Mounting channels are welded horizontally to the interior body.
- **Optional** swing panels and rack

angles can be mounted anywhere along the mounting channels

- Rolled lip around three sides of the door and along the top of the enclosure opening excludes liquids and contaminants
- 3-point Keylocking/Padlocking combo handle
- Heavy gauge continuous hinge
- Doors are removable by pulling stainless steel continuous hinge pin
- Heavy-duty removable lifting eyes
- Doors are sealed with a poured in place gasket
- Grounding provisions are provided

Finish

- ANSI-61 gray polyester powder inside and out
- **Optional** back panels are painted with a white polyester powder
- **Optional** "G" panels are pre-galvanized steel

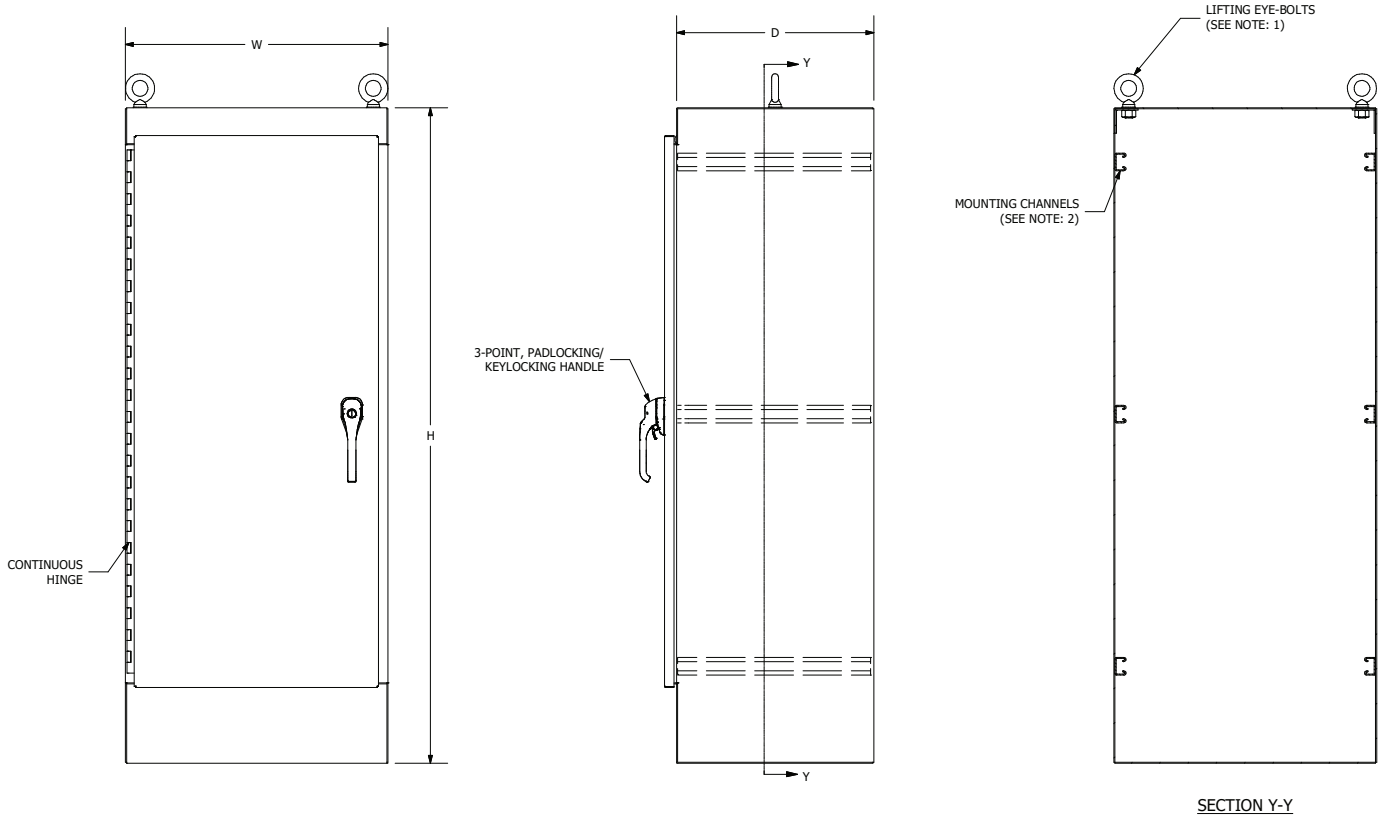
Accessories

- Back panels (reference table)
- See pages L1-L24

WA-FSN43PT SERIES ENCLOSURES NEMA 4 SINGLE DOOR FREESTANDING

Catalog Number	Enclosure Size HxWxD	Back Panel Catalog Number*		Back Panel Size
		White	"G"	
WA602418FSN43PT	60.00x24.00x18.00 (1578X711X457)	WA60P24F1	WA60P24F1G	48.00X20.00 (1219x508)
WA603624FSN43PT	60.00x36.00x24.00 (1578X914X610)	WA60P36F1	WA60P36F1G	48.00X32.00 (1219x813)
WA722418FSN43PT	72.00x24.00x18.00 (1829X610X457)	WA72P24F1	WA72P24F1G	60.00X20.00 (1524x508)
WA722424FSN43PT	72.00x24.00x24.00 (1829X610X610)	WA72P24F1	WA72P24F1G	60.00X20.00 (1524x508)
WA723018FSN43PT	72.00x30.00x18.00 (1829X762X457)	WA72P30F1	WA72P30F1G	60.00X26.00 (1524x660)
WA723024FSN43PT	72.00x30.00x24.00 (1829X762X610)	WA72P30F1	WA72P30F1G	60.00X26.00 (1524x660)
WA723618FSN43PT	72.00x36.00x18.00 (1829X914X457)	WA72P36F1	WA72P36F1G	60.00X32.00 (1524x813)
WA723624FSN43PT	72.00x36.00x24.00 (1829X914X610)	WA72P36F1	WA72P36F1G	60.00X32.00 (1524x813)
WA723630FSN43PT	72.00x36.00x30.00 (1829X914X762)	WA72P36F1	WA72P36F1G	60.00X32.00 (1524x813)
WA723636FSN43PT	72.00x36.00x36.00 (1829X914X914)	WA72P36F1	WA72P36F1G	60.00X32.00 (1524x813)
WA902420FSN43PT	90.00x24.00x20.00 (2286X610X508)	WA90P24F1	WA90P24F1G	78.00X20.00 (1981x508)
WA903620FSN43PT	90.00x36.00x20.00 (2286X914X508)	WA90P36F1	WA90P36F1G	78.00X32.00 (1981x813)
WA903624FSN43PT	90.00x36.00x24.00 (2286X914X610)	WA90P36F1	WA90P36F1G	78.00X32.00 (1981x813)
WA903636FSN43PT	90.00x36.00x36.00 (2286X914X914)	WA90P36F1	WA90P36F1G	78.00X32.00 (1981x813)

*Back panels must be ordered separately.



- NOTES:
1. FOUR LIFTING EYE-BOLTS ARE SUPPLIED WHEN "D" IS 30.00" OR GREATER.
 2. OPTIONAL PANEL(S) CAN BE MOUNTED ANYWHERE ALONG MOUNTING CHANNELS.

WRD-FS4 SINGLE DOOR FREESTANDING ENCLOSURES WITH HEAVY-DUTY REMOVABLE HINGE



Industry Standards

UL 508A Type 3R, 4 & 12
 NEMA Type 3R, 4 & 12
 IEC 60529 IP66

 UL File E64791, E470978

FEATURES-SPECIFICATIONS

Applications

Designed to protect electrical and electronic controls, components, and instruments in typical industrial environments. Enclosures protect equipment from dust, dirt and water. These enclosures are used in machine tool applications for housing motor starters, drives, contactors, PLC's, as well as a wide variety of other electrical and electronic equipment. The addition of 19 inch rack-mounted accessories make these enclosures ideal for providing rugged protection for sensitive rack-mounted components in harsh industrial environments.

Construction

- Bodies and doors are fabricated from carbon steel
- ANSI 61 Gray Polyester Powder Coat
- Heavy-Duty 316 Stainless Steel Removable Hinge (patent pending)
- Seams are continuously welded and ground smooth
- Heavy-duty lifting eyes for easy handling
- 3-point Keylocking/Padlocking combo handle

- Doors are sealed with a poured in place gasket
- Grounding provisions are provided
- Door opens 170°
- Mounting channels are welded horizontally to the interior body to allow back panels to be positioned in the enclosure.
Optional swing panels and rack angles can be mounted anywhere along the mounting channels

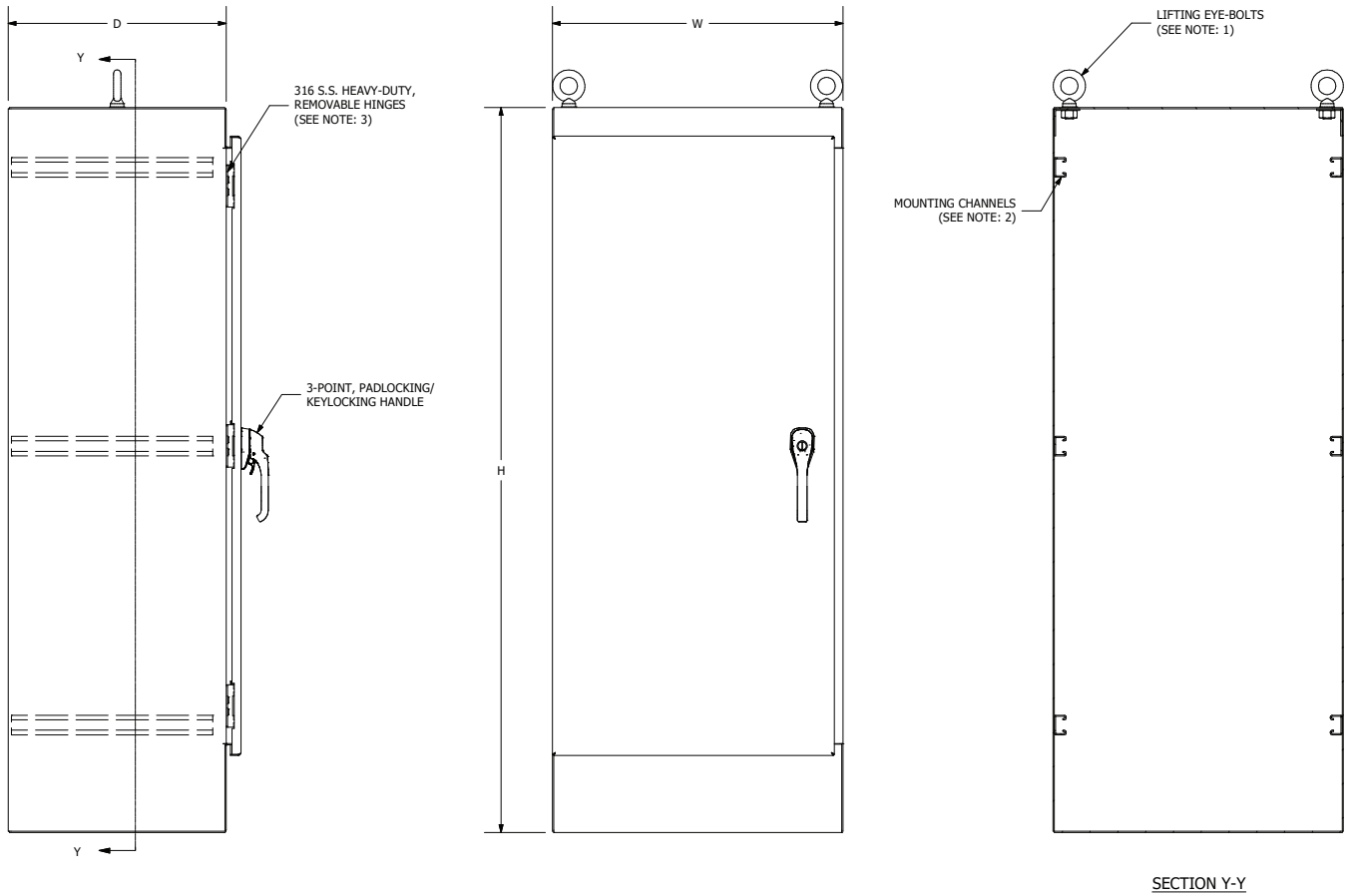
WRD-FS4 SINGLE DOOR, FREESTANDING, HEAVY-DUTY REMOVABLE HINGE ENCLOSURES

Catalog Number	Enclosure Size HxWxD	Back Panel Catalog Number*		Back Panel Size
		White	"G"	
WRD602418FS4	60.13 x 24.13 x 18.13 (1527x613x460)	WA60P24F1	WA60P24F1G	48.00X20.00 (1219x508)
WRD722418FS4	72.13 x 24.13 x 18.13 (1832x613x460)	WA72P24F1	WA72P24F1G	60.00X20.00 (1524x508)
WRD723018FS4	72.13 x 30.13 x 18.13 (1832x765x460)	WA72P30F1	WA72P30F1G	60.00X26.00 (1524x660)
WRD723618FS4	72.13 x 36.13 x 18.13 (1832x918x460)	WA72P36F1	WA72P36F1G	60.00X32.00 (1524x813)
WRD902420FS4	90.13 x 24.13 x 20.13 (2289x613x511)	WA90P24F1	WA90P24F1G	78.00X20.00 (1981x508)
WRD903620FS4	90.13 x 36.13 x 20.13 (2289x918x511)	WA90P36F1	WA90P36F1G	78.00X32.00 (1981x813)
WRD603624FS4	60.13 x 36.13 x 24.13 (1527x918x613)	WA60P36F1	WA60P36F1G	48.00X32.00 (1219x813)
WRD722424FS4	72.13 x 24.13 x 24.13 (1832x613x613)	WA72P24F1	WA72P24F1G	60.00X20.00 (1524x508)
WRD723024FS4	72.13 x 30.13 x 24.13 (1832x765x613)	WA72P30F1	WA72P30F1G	60.00X26.00 (1524x660)
WRD723624FS4	72.13 x 36.13 x 24.13 (1832x918x613)	WA72P36F1	WA72P36F1G	60.00X32.00 (1524x813)
WRD903624FS4	90.13 x 36.13 x 24.13 (2289x918x613)	WA90P36F1	WA90P36F1G	78.00X32.00 (1981x813)
WRD723630FS4	72.13 x 36.13 x 30.13 (1832x918x765)	WA72P36F1	WA72P36F1G	60.00X32.00 (1524x813)
WRD723636FS4	72.13 x 36.13 x 36.13 (1832x918x918)	WA72P36F1	WA72P36F1G	60.00X32.00 (1524x813)
WRD903636FS4	90.13 x 36.13 x 36.13 (2289x918x918)	WA90P36F1	WA72P36F1G	78.00X32.00 (1981x813)

*Back panels must be ordered separately.

WRD-FS4 SINGLE DOOR FREESTANDING ENCLOSURES WITH HEAVY-DUTY REMOVABLE HINGE

D33



NOTES:

1. FOUR LIFTING EYE-BOLTS ARE SUPPLIED WHEN "D" IS 30" OR GREATER.
2. OPTIONAL PANEL(S) CAN BE MOUNTED ANYWHERE ALONG MOUNTING CHANNELS.
3. THREE HINGES ARE PROVIDED WHEN "H" = 60"
FOUR HINGES ARE PROVIDED WHEN "H" = 72"
FIVE HINGES ARE PROVIDED WHEN "H" = 90"

WRD-FSD4 DOUBLE DOOR FREESTANDING ENCLOSURES WITH HEAVY-DUTY REMOVABLE HINGE



Industry Standards

cULus, Type 3R, 4 & 12
 NEMA Type 3R, 4 & 12
 IEC 60529 IP66

UL File E64791, E470978

FEATURES-SPECIFICATIONS

Applications

Designed to protect electrical and electronic controls, components, and instruments in typical industrial environments. Enclosures protect equipment from dust, dirt and water. These enclosures are used in machine tool applications for housing motor starters, drives, contactors, PLC's, as well as a wide variety of other electrical and electronic equipment. The addition of 19 inch rack-mounted accessories make these enclosures ideal for providing rugged protection for sensitive rack-mounted components in harsh industrial environments.

Construction

- Bodies and doors are fabricated from carbon steel
- ANSI 61 Gray Polyester Powder Coat
- Heavy-Duty 316 Stainless Steel Removable Hinge (patent pending)
- Seams are continuously welded and ground smooth
- Heavy-duty lifting eyes for easy handling
- 3-point Keylocking/Padlocking combo handle

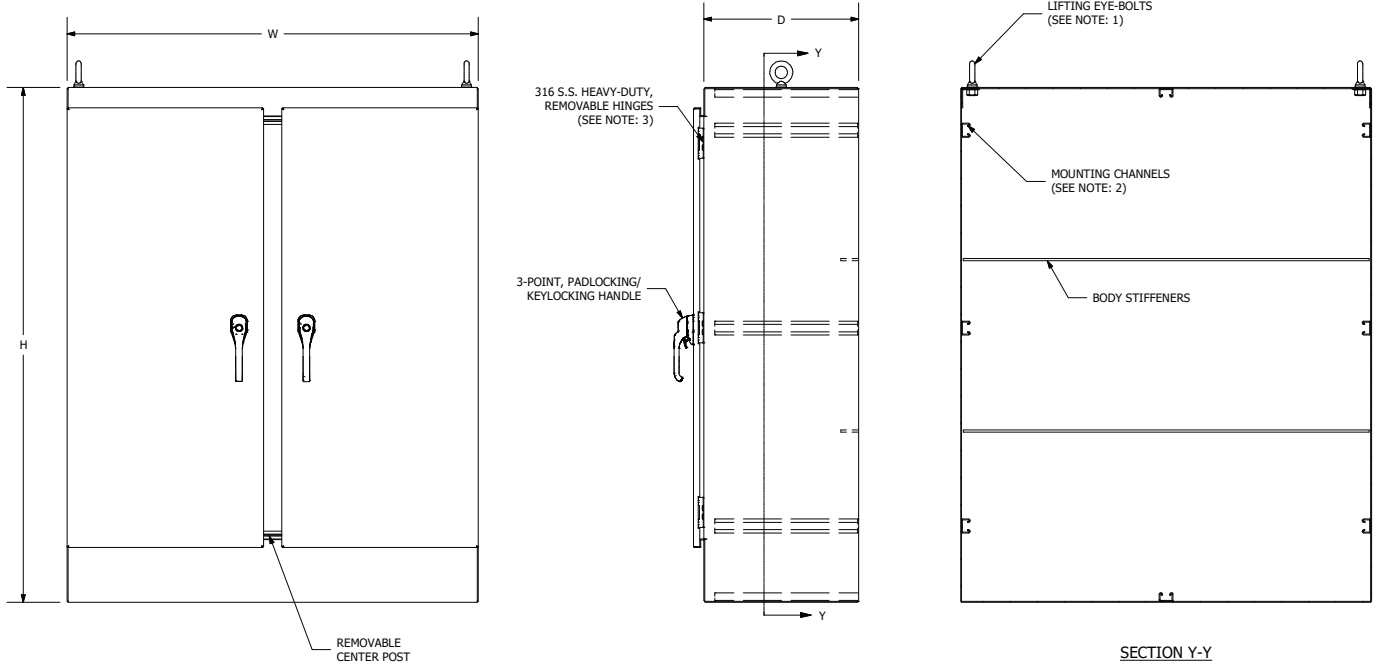
- Doors are sealed with a poured in place gasket
- Grounding provisions provided
- Door opens 170°
- Mounting channels are welded horizontally to the interior body to allow back panels to be positioned in the enclosure.
Optional swing panels and rack angles can be mounted anywhere along the mounting channels

WRD-FSD4 DOUBLE DOOR, FREESTANDING, HEAVY-DUTY REMOVABLE HINGE ENCLOSURES

Catalog Number	Enclosure Size HxWxD	Back Panel Catalog Number*			
		White		Galvanized	
		Full	Half	Full	Half
WRD604818FSD4	60.12x48.12x18.12 (1527x1222x460)	WA60P48F1	WA60P48F2	WA60P48F1G	WA60P48F2G
WRD724818FSD4	72.12x48.12x18.12 (1832x1222x460)	WA72P48F1	WA72P48F2	WA72P48F1G	WA72P48F2G
WRD726018FSD4	72.12x60.12x18.12 (1832x1527x460)	WA72P60F1	WA72P60F2	WA72P60F1G	WA72P60F2G
WRD727218FSD4	72.12x72.12x18.12 (1832x1832x460)	WA72P72F1	WA72P72F2	WA72P72F1G	WA72P72F2G
WRD904820FSD4	90.12x48.12x20.12 (2289x1222x511)	WA90P48F1	WA90P48F2	WA90P48F1G	WA90P48F2G
WRD907220FSD4	90.12x72.12x20.12 (2289x1832x511)	WA90P72F1	WA90P72F2	WA90P72F1G	WA90P72F2G
WRD724824FSD4	72.12x48.12x24.12 (1832x1222x613)	WA72P48F1	WA72P48F2	WA72P48F1G	WA72P48F2G
WRD726024FSD4	72.12x60.12x24.12 (1832x1527x613)	WA72P60F1	WA72P60F2	WA72P60F1G	WA72P60F2G
WRD727224FSD4	72.12x72.12x24.12 (1832x1832x613)	WA72P72F1	WA72P72F2	WA72P72F1G	WA72P72F2G
WRD907224FSD4	90.12x72.12x24.12 (2289x1832x613)	WA90P72F1	WA90P72F2	WA90P72F1G	WA90P72F2G
WRD726036FSD4	72.12x60.12x36.12 (1832x1527x917)	WA72P60F1	WA72P60F2	WA72P60F1G	WA72P60F2G
WRD907236FSD4	90.12x72.12x36.12 (2289x1832x917)	WA90P72F1	WA90P72F2	WA90P72F1G	WA90P72F2G

**WRD-FSD4 DOUBLE DOOR FREESTANDING ENCLOSURES
WITH HEAVY-DUTY REMOVABLE HINGE**

D35



NOTES:

1. FOUR LIFTING EYE-BOLTS ARE SUPPLIED WHEN "D" IS 30" OR GREATER.
2. OPTIONAL PANEL(S) CAN BE MOUNTED ANYWHERE ALONG MOUNTING CHANNELS.
3. THREE HINGES PER DOOR ARE PROVIDED WHEN "H" = 60"
FOUR HINGES PER DOOR ARE PROVIDED WHEN "H" = 72"
FIVE HINGES PER DOOR ARE PROVIDED WHEN "H" = 90"

