

Section E Index

RSC-NKSS Series NEMA 3RX Screw CoverE2	WA-GSCSS Series NEMA 4X Lift-Off Cover Wall-MountE18	SSN4-3PTW Series NEMA 4X Painted White Single Door.....E40
PBGX-SS Series NEMA 4, 4X, 12 & 13 (22.5mm) Pushbutton Wall-Mount E4	WC-CSS Series NEMA 12 Consolet Single Door.....E20	SSN4D Series NEMA 4X Two Door Floor-MountE42
PBSS Series NEMA 4, 4X, 12 (30.5mm) Pushbutton Wall-Mount E5	N412-SSC ULTIMATE Series NEMA 4X Single Door Wall-Mount.....E22	N4S-FSSS/FSSSA Series NEMA 4X Single Door Freestanding.....E44
PBXD-SS Series NEMA 4X, 12 & 13 (30.5mm) Pushbutton Wall-MountE6	N412-WSSC ULTIMATE Series NEMA 4X Single Door With Window Wall-Mount.....E24	SSN4D-3PT Series NEMA 4X Two Door Floor-MountE46
BN4-SS Series NEMA 4X JIC Clamp-Cover Wall-Mount ..E8	N412-SS3PTC/SSA3PTC ULTIMATE Series NEMA 4X Single Door Wall-Mount.....E26	WA-SSFSN43PT Series NEMA 4X Single Door Freestanding.....E48
BN4-CHSS Series NEMA 4X JIC Continuous Hinge Wall-MountE10	N412-CSSST ULTIMATE Series NEMA 4X Slope-Top Single DoorE28	WA-SSFSDN43PT Series NEMA 4X Two Door FreestandingE50
BN4-CHTQSS/SSA Series NEMA 4X Continuous Hinge Quarter-Turn Wall-MountE12	N412D-SSC ULTIMATE Series NEMA 4X Double Door Wall-Mount.....E30	WA-FSSS/FSDSS Series NEMA 12 Single and Two Door FreestandingE52
BN4-AL Series NEMA 4X Lift-Off Cover Wall-MountE14	SSN4-WF3PT Series NEMA 4X Two Door Wall-MountE32	WRD-SSFSN4 Series NEMA 12 Single Door FreestandingE54
BN4-CHAL Series NEMA 4X JIC Continuous Hinge Wall-MountE16	SSN4 Series NEMA 4X Single Door Wall-Mount.....E34	WRD-SSFSDN4 Series NEMA 12 Two Door FreestandingE56
	ALN4 Series NEMA 4X Single Door Wall-Mount.....E36	
	SSN4-3PT Series NEMA 4X Single Door Wall-Mount.....E38	

STAINLESS STEEL



RSC-NKSS SERIES ENCLOSURES NEMA 3RX STAINLESS STEEL SCREW-COVER



RSC081206NKSS

Industry Standards

cULus, Types 3RX, 3R, & 1

NEMA/EEMAC Types 3RX, 3R, & 1



FEATURES-SPECIFICATIONS

Applications

The Stainless Steel RSC Series enclosure is designed for use as a wiring or junction box. This enclosure can be used indoors or outdoors and provides protection from rain, sleet, snow, or dripping water. Can also be used in corrosive environments.

Construction

- Body and cover are fabricated from 304 stainless steel
- A slip-on reversible cover is securely fastened with screws located along the bottom edge
- Mounting holes are located on the back of the enclosure

- No gasketing is required
- Hasp for padlocking or meter seal is provided

Finish

- Exterior surfaces of the enclosure have a smooth grained finish

Accessories

- See pages L1-L24

RSC-NKSS SERIES SCREW-COVER STAINLESS STEEL ENCLOSURES

Catalog Number	Enclosure Size HxWxD	Mounting A x B
RSC040404NKSS*Δ	4.06 x 4.12 x 4.06 (103 x 105 x 103)	—
RSC040604NKSS*Δ	6.06 x 4.12 x 4.06 (154 x 105 x 103)	—
RSC060604NKSS	6.06 x 6.12 x 4.06 (154 x 155 x 103)	3.00 x 3.00 (76 x 76)
RSC060804NKSS	8.06 x 6.12 x 4.06 (205 x 155 x 103)	5.00 x 3.00 (127 x 76)
RSC080804NKSS	8.06 x 8.12 x 4.06 (205 x 206 x 103)	5.00 x 5.00 (127 x 127)
RSC081004NKSS	10.06 x 8.12 x 4.06 (256 x 206 x 103)	7.00 x 5.00 (178 x 127)
RSC101004NKSS	10.06 x 10.12 x 4.06 (256 x 257 x 103)	7.00 x 7.00 (178 x 178)
RSC101204NKSS	12.06 x 10.12 x 4.06 (306 x 257 x 103)	9.00 x 7.00 (229 x 178)
RSC121204NKSS	12.06 x 12.12 x 4.06 (306 x 308 x 103)	9.00 x 9.00 (229 x 229)
RSC121504NKSS	15.06 x 12.12 x 4.06 (383 x 308 x 103)	12.00 x 9.00 (305 x 229)
RSC181804NKSS	18.06 x 18.12 x 4.06 (459 x 460 x 103)	15.00 x 15.00 (381 x 381)
RSC060606NKSS	6.06 x 6.12 x 6.06 (154 x 155 x 154)	3.00 x 3.00 (76 x 76)
RSC060806NKSS	8.06 x 6.12 x 6.06 (205 x 155 x 154)	5.00 x 3.00 (127 x 76)
RSC080806NKSS	8.06 x 8.12 x 6.06 (205 x 206 x 154)	5.00 x 5.00 (127 x 127)
RSC081006NKSS	10.06 x 8.12 x 6.06 (256 x 206 x 154)	7.00 x 5.00 (178 x 127)
RSC081206NKSS	12.06 x 8.12 x 6.06 (306 x 206 x 154)	9.00 x 5.00 (229 x 127)
RSC101006NKSS	10.06 x 10.12 x 6.06 (256 x 257 x 154)	7.00 x 7.00 (178 x 178)
RSC101206NKSS	12.06 x 10.12 x 6.06 (306 x 257 x 154)	9.00 x 7.00 (229 x 178)
RSC121206NKSS	12.06 x 12.12 x 6.06 (306 x 308 x 154)	9.00 x 9.00 (229 x 229)
RSC121506NKSS	15.06 x 12.12 x 6.06 (383 x 308 x 154)	12.00 x 9.00 (305 x 229)
RSC121806NKSS	18.06 x 12.12 x 6.06 (459 x 308 x 154)	15.00 x 9.00 (381 x 229)
RSC151806NKSS	18.06 x 15.12 x 6.06 (459 x 384 x 154)	15.00 x 12.00 (381 x 305)
RSC181806NKSS	18.06 x 18.12 x 6.06 (459 x 460 x 154)	15.00 x 15.00 (381 x 381)

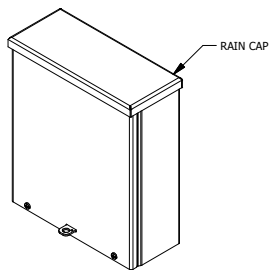
*Two mounting holes centered vertically Δ No hasp or meter seal provided

continued on page E3

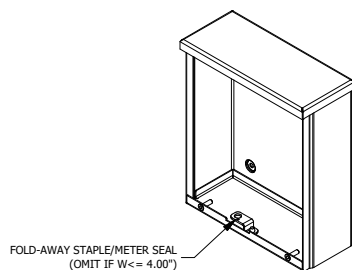
**RSC-NKSS SERIES ENCLOSURES
NEMA 3RX STAINLESS STEEL SCREW-COVER**

RSC-NKSS SERIES SCREW-COVER STAINLESS STEEL ENCLOSURES (CONT.)

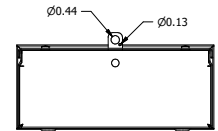
Catalog Number	Enclosure Size HxWxD	Mounting A x B
RSC182406NKSS	24.06 x 18.12 x 6.06 (611 x 460 x 154)	21.00 x 15.00 (533 x 381)
RSC242406NKSS	24.07 x 24.15 x 6.07 (611 x 613 x 154)	21.00 x 21.00 (533 x 533)
RSC121208NKSS	12.06 x 12.12 x 8.06 (306 x 308 x 205)	9.00 x 9.00 (229 x 229)
RSC121808NKSS	18.06 x 12.12 x 8.06 (459 x 308 x 205)	15.00 x 9.00 (381 x 229)
RSC151808NKSS	18.06 x 15.12 x 8.06 (459 x 384 x 205)	15.00 x 12.00 (381 x 305)
RSC181808NKSS	18.06 x 18.12 x 8.06 (459 x 460 x 205)	15.00 x 15.00 (381 x 381)
RSC182408NKSS	24.06 x 18.12 x 8.06 (611 x 460 x 205)	21.00 x 15.00 (533 x 381)
RSC202408NKSS	24.06 x 20.12 x 8.06 (611 x 511 x 205)	21.00 x 17.00 (533 x 432)
RSC242408NKSS	24.07 x 24.15 x 8.07 (611 x 613 x 205)	21.00 x 21.00 (533 x 533)
RSC243008NKSS	30.07 x 24.15 x 8.07 (764 x 613 x 205)	27.00 x 21.00 (686 x 533)
RSC121210NKSS	12.06 x 12.12 x 10.06 (306 x 308 x 256)	9.00 x 9.00 (229 x 229)
RSC161610NKSS	16.06 x 16.12 x 10.06 (408 x 409 x 256)	13.00 x 13.00 (330 x 330)
RSC242412NKSS	24.07 x 24.15 x 12.07 (611 x 613 x 307)	21.00 x 21.00 (533 x 533)
RSC243612NKSS	36.07 x 24.15 x 12.07 (916 x 613 x 307)	33.00 x 21.00 (838 x 533)
RSC303012NKSS	30.10 x 30.21 x 12.10 (765 x 767 x 307)	27.00 x 27.00 (686 x 686)
RSC303612NKSS	36.10 x 30.21 x 12.10 (917 x 767 x 307)	33.00 x 27.00 (838 x 686)
RSC363612NKSS	36.10 x 36.21 x 12.10 (917 x 920 x 307)	33.00 x 33.00 (838 x 838)
RSC242416NKSS	24.07 x 24.15 x 16.07 (611 x 613 x 408)	21.00 x 21.00 (533 x 533)
RSC303016NKSS	30.10 x 30.21 x 16.10 (765 x 767 x 409)	27.00 x 27.00 (686 x 686)
RSC363616NKSS	36.10 x 36.21 x 16.10 (917 x 920 x 409)	33.00 x 33.00 (838 x 838)
RSC364816NKSS	48.10 x 36.21 x 16.10 (1222 x 920 x 409)	45.00 x 33.00 (1143 x 838)



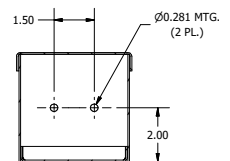
ISO VIEW



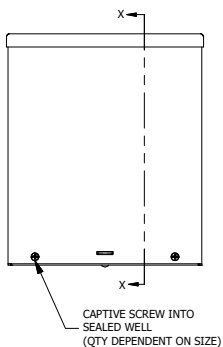
ISO VIEW, LID REMOVED



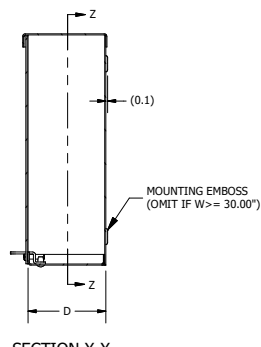
BOTTOM VIEW



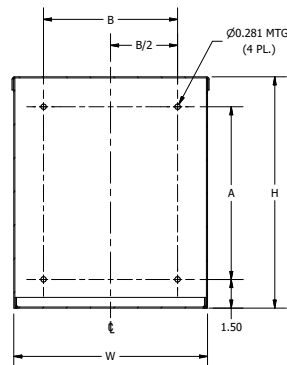
4 X 4 MOUNTING



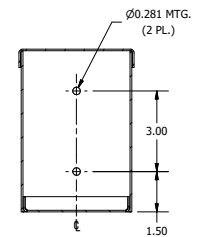
FRONT VIEW



SECTION X-X

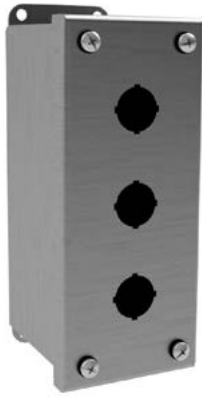


SECTION Z-Z



6 X 4 MOUNTING

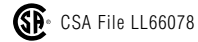
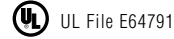
**PBGX-SS SERIES ENCLOSURES
NEMA 4, 4X, 12 & 13 (22.5MM) PUSHBUTTON WALL-MOUNT**



PBGX-SS

Industry Standards

cULus, Type 4, 4X, 12 & 13
NEMA/EEMAC Type 4, 4X, 12 & 13



FEATURES-SPECIFICATIONS

Applications

Designed to hold all standard brands of miniature oil-tight pushbuttons, switches and pilot lights.

Provides protection from dust, dirt, oil and water. PBGX-SS Series is designed for areas where serious corrosion problems exist.

Construction

- Bodies and doors are fabricated from 304 and 316 stainless steel
- Seams are continuously welded and ground smooth

- Closed cell oil resistant neoprene gasket
- External mounting plates on the top and bottom of the enclosure
- Captivated cover screws thread into sealed wells
- Standard "4-way" 22mm miniature pushbutton holes accept all standard brands of miniature pushbuttons, switches and pilot lights
- Enclosures 9.50" x 6.25" x 3.00" and larger have internal detachable

hinges to hold cover open during wiring, yet permit quick removal

- Grounding provisions are provided

Finish

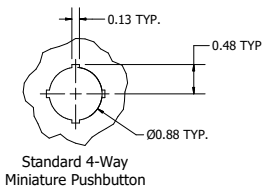
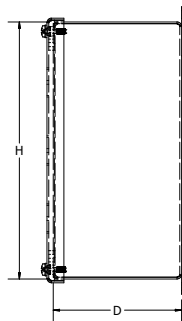
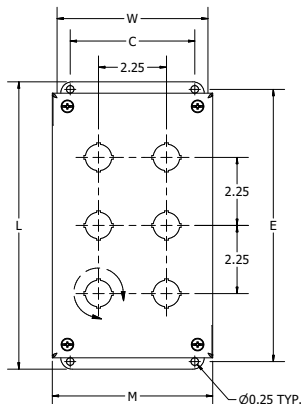
- Exterior surfaces of the enclosure have a smooth grained finish

Accessories

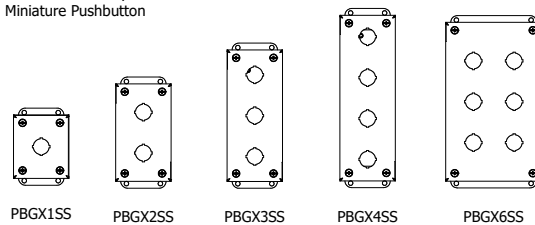
- See pages I16-I27 for carbon steel pushbutton enclosures
- See page L4 for hole seals

PBGX-SS SERIES (22.5MM) STAINLESS STEEL PUSHBUTTON ENCLOSURES

Catalog Number		Description	Enclosure Size HxWxD	Overall LxM	Mounting CxE
304 SS	316 SS				
PBGX1SS	PBGX1SSA	N4X 22.5 MM 1 PB ENCL	3.25x2.75x3.50 (83x70x89)	4.25x3.06 (108x78)	1.88x3.75 (48x95)
PBGX2SS	PBGX2SSA	N4X 22.5 MM 2 PB ENCL	5.13x2.75x3.50 (130x70x89)	6.13x3.06 (156x78)	1.88x5.63 (48x143)
PBGX3SS	PBGX3SSA	N4X 22.5 MM 3 PB ENCL	7.00x2.75x3.50 (178x70x89)	8.00x3.06 (203x78)	1.88x7.50 (48x191)
PBGX4SS	PBGX4SSA	N4X 22.5 MM 4 PB ENCL	8.88x2.75x3.50 (225x70x89)	9.88x3.06 (251x78)	1.88x9.38 (48x238)
PBGX6SS	PBGX6SSA	N4X 22.5 MM 6 PB ENCL	8.50x5.00x4.25 (216x127x108)	9.50x6.81 (241x135)	4.13x9.00 (105x229)



PBGXSS Hole Arrangements



PBSS SERIES ENCLOSURES NEMA 4, 4X & 12 (30.5MM) PUSHBUTTON WALL-MOUNT



PBSS3

Industry Standards

cULus, Type 4, 4X, 12 & 13
NEMA/EEMAC Type 4, 4X, 12 & 13



FEATURES-SPECIFICATIONS

Applications

Designed to hold all standard brands of pushbuttons, switches and pilot lights.

Provides protection from dust, dirt, oil and water. PBSS Series is designed for areas where serious corrosion problems exist.

Construction

- Bodies and doors are fabricated from 304 or 316L stainless steel
- Seams are continuously welded and ground smooth
- Closed cell oil resistant neoprene gasket

- External mounting plates on the top and bottom of the enclosure
- Captivated cover screws thread into sealed wells
- Standard "4-way" pushbutton holes accept all brands of oil-tight pushbuttons, switches and pilot lights
- Enclosures 9.50" x 6.25" x 3.00" and larger have internal detachable hinges to hold cover open during wiring, yet permit quick removal
- Grounding provisions are provided

Finish

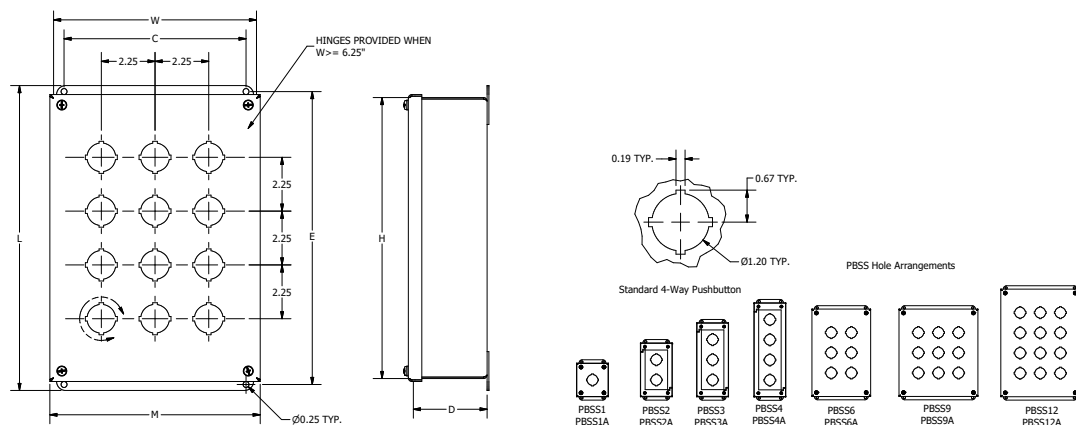
- Exterior surfaces of the enclosure have a smooth grained finish

Accessories

- See pages I16-I27 for carbon steel pushbutton enclosures
- See page L4 for hole seals

PBSS SERIES (30.5MM) STAINLESS STEEL PUSHBUTTON ENCLOSURES

Catalog Number		Description	Enclosure Size HxWxD	Overall LxM	Mounting CxE
304 SS	316L SS				
PBSS1	PBSS1A	N4X 30.5 MM 1 PB ENCL	3.50x3.25x2.81 (89x83x71)	4.25x3.56 (114x90)	2.38x4.00 (60x102)
PBSS2	PBSS2A	N4X 30.5 MM 2 PB ENCL	5.75x3.25x2.81 (146x83x71)	6.75x3.56 (171x90)	2.38x6.25 (60x159)
PBSS3	PBSS3A	N4X 30.5 MM 3 PB ENCL	8.00x3.25x2.81 (203x83x71)	9.00x3.56 (229x90)	2.38x8.50 (60x216)
PBSS4	PBSS4A	N4X 30.5 MM 4 PB ENCL	10.25x3.25x2.81 (260x83x71)	11.25x3.56 (286x90)	2.38x10.75 (60x273)
PBSS6	PBSS6A	N4X 30.5 MM 6 PB ENCL	9.50x6.25x3.09 (241x159x79)	10.50x6.56 (267x167)	5.38x10.00 (137x254)
PBSS9	PBSS9A	N4X 30.5 MM 9 PB ENCL	9.50x8.50x3.09 (241x216x79)	10.50x8.81 (267x224)	7.63x10.00 (194x254)
PBSS12	PBSS12A	N4X 30.5 MM 12 PB ENCL	11.75x8.50x3.09 (298x216x79)	12.75x8.81 (324x224)	7.63x12.25 (194x311)



PBXD - SS SERIES ENCLOSURES
NEMA 4, 4X, 12 & 13 (30.5MM) PUSHBUTTON WALL-MOUNT



PBXD3SS

Industry Standards

cULus, Type 4, 4X, 12 & 13
 NEMA/EEMAC Type 4, 4X, 12 & 13
 JIC EL-1-71

 UL File E64791

 CSA File LL66078

FEATURES-SPECIFICATIONS

Applications

Designed to hold 30.5mm oil-tight pushbuttons, switches, and pilot lights. Provides protection against dirt, dust, oil, and water. Extra deep design accommodates additional contact blocks for pushbuttons.

Construction

- Bodies and doors are fabricated from 304 stainless steel
- Seams are continuously welded and ground smooth
- Closed cell oil resistant neoprene gasket

- External mounting plates on the top and bottom of the enclosure
- Captivated cover screws thread into sealed wells
- Standard "4-way" pushbutton holes accept all brands of oil-tight push buttons, switches and pilot lights
- 6.00" x 4.00" x 4.75" and larger have internal detachable hinges to hold cover open during wiring, yet permit quick removal
- Grounding provisions are provided

Finish

- Exterior surfaces of the enclosure have a smooth grained finish

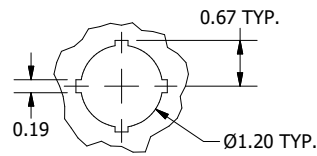
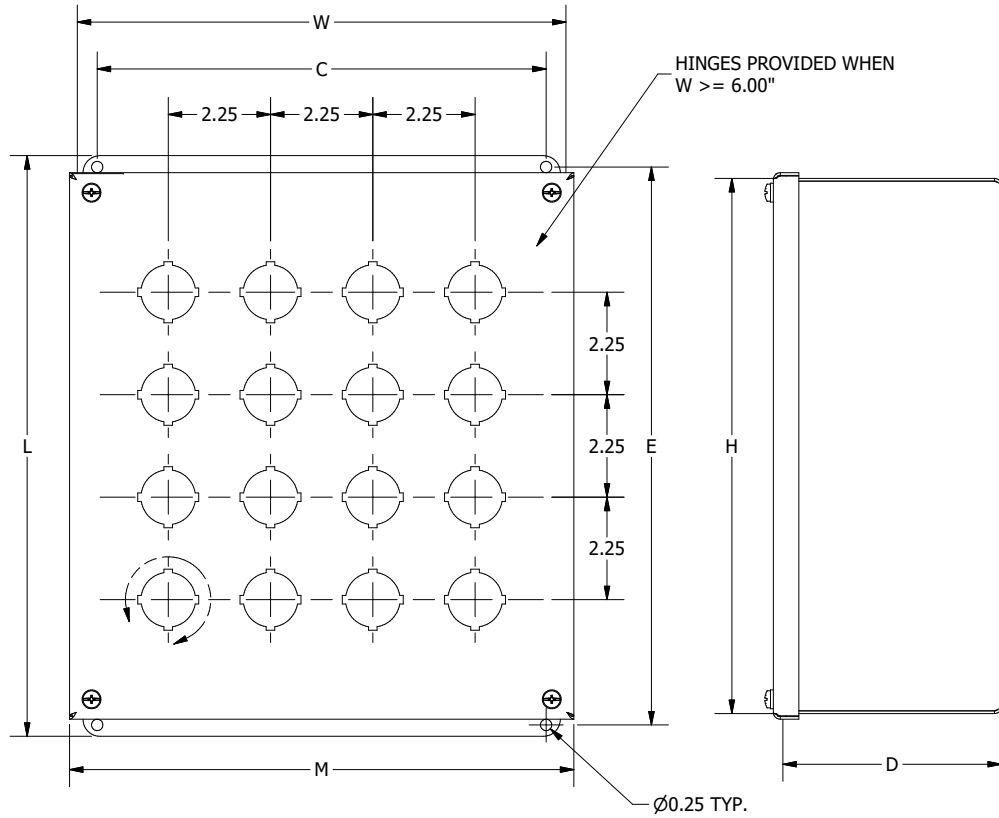
Accessories

- See pages I16-I27 for carbon steel pushbutton enclosures
- See page L4 for hole seals

PBXD-SS SERIES STAINLESS STEEL PUSHBUTTON ENCLOSURES

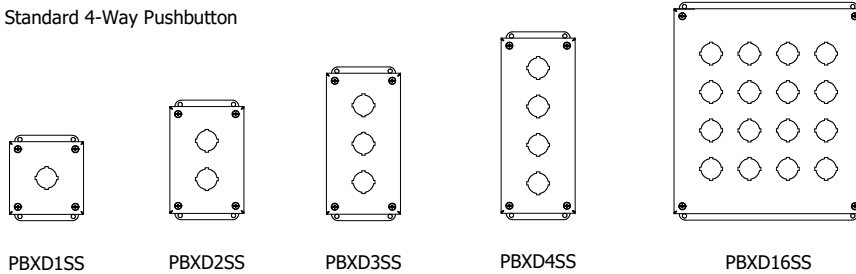
Catalog Number	Description	Enclosure Size HxWxD	Overall LxM	Mounting CxE
PBXD1SS	N4X, 30.5 MM, 1 PB Deep Enclosure	4.00x4.00x4.81 (102x102x122)	5.00x4.34 (127x110)	3.13x4.50 (79x114)
PBXD2SS	N4X, 30.5 MM, 2 PB Deep Enclosure	6.00x4.00x4.81 (152x102x122)	7.00x4.34 (178x110)	3.13x6.50 (79x165)
PBXD3SS	N4X, 30.5 MM, 3 PB Deep Enclosure	8.00x4.00x4.81 (203x102x122)	9.00x4.34 (229x110)	3.13x8.50 (79x216)
PBXD4SS	N4X, 30.5 MM, 4 PB Deep Enclosure	10.00x4.00x4.81 (254x102x122)	11.00x4.34 (279x110)	3.13x10.50 (79x267)
PBXD16SS	N4X, 30.5 MM, 16 PB Deep Enclosure	11.75x10.75x4.81 (298x273x122)	12.75x11.09 (324x282)	9.88x12.25 (251x311)

**PBXD - SS SERIES ENCLOSURES
NEMA 4, 4X, 12 & 13 (30.5MM) PUSHBUTTON WALL-MOUNT**



Standard 4-Way Pushbutton

PBXD Hole Arrangements



BN4 - SS SERIES ENCLOSURES NEMA 4X JIC CLAMP-COVER WALL-MOUNT




BN4060604SS


Industry Standards

cULus, Type 4, 4X, 12 & 13
(6 X 6 X 4 & above)

cULus, Type 4, 4X, 12 & 13 (6 X 4 X 3
& smaller)

NEMA/EEMAC Type 4, 4X, 12 & 13
IEC 60529, IP66

 UL Files E23553, E64791, E470978

 CSA File LL66078

FEATURES-SPECIFICATIONS

Applications

Provides unmatched protection for housing electrical components in highly corrosive environments. This enclosure is used in indoor and outdoor settings that are frequently wet or have constant exposure to water, contaminants, or other liquids.

Construction

- Bodies and doors are fabricated from 304 or 316L stainless steel
- Seams are continuously welded and ground smooth

- Doors are sealed with a poured in place gasket
- External mounting plates on the top and bottom of the enclosure
- Weldnuts are provided on models 6.00" x 4.00" and larger to secure **optional** back panels
- Stainless steel screws and clamps on four sides of the cover to assure a water-tight seal
- Grounding provisions are provided

Finish

- Exterior surfaces of the enclosure have a smooth grained finish
- **Optional** back panels are painted with a white polyester powder
- **Optional** "G" panels are pre-galvanized steel
- **Optional** 304SS back panels are made of 304 stainless steel

Accessories

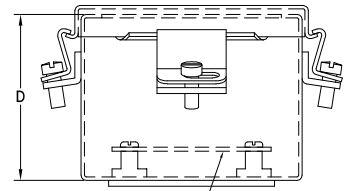
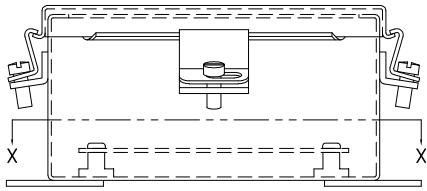
- Back panels (reference table)
- See pages L1-L24

BN4-SS SERIES JIC CLAMP COVER STAINLESS STEEL ENCLOSURES

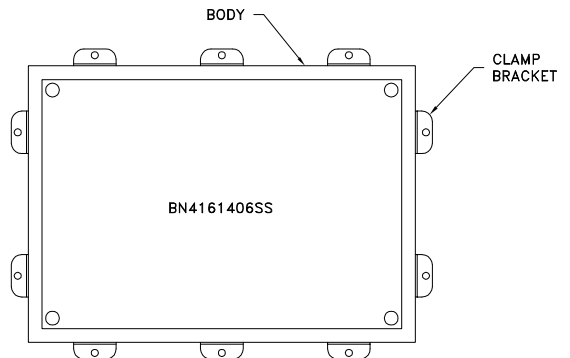
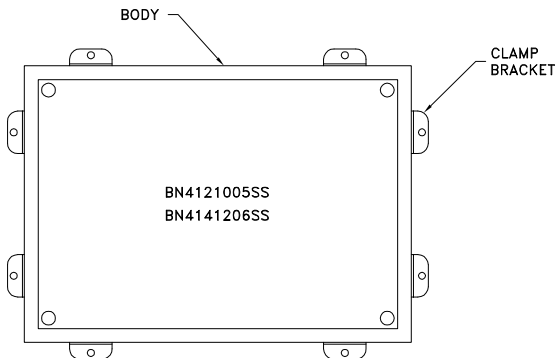
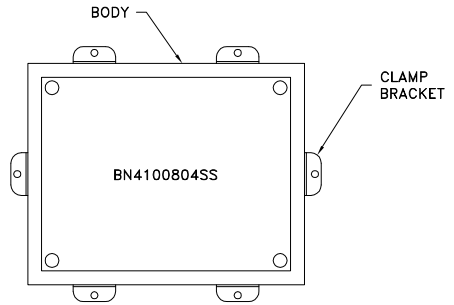
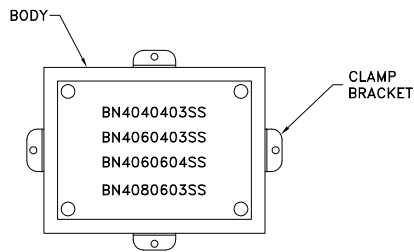
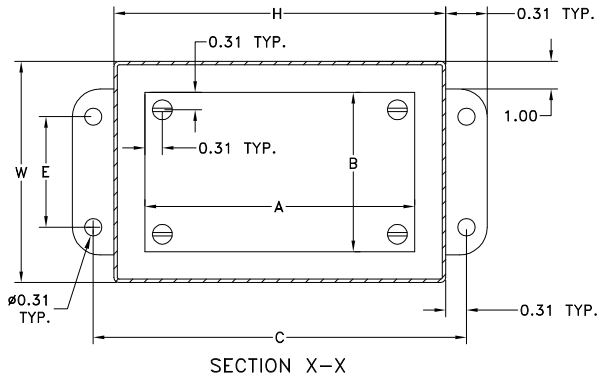
Catalog Number		Enclosure Size HxWxD	Back Panel Catalog Number*			Back Panel AxB	Mounting CxE
304 SS	316L SS		White	304 SS	"G"		
BN4040403SS	BN4040403SSA	4.00x4.00x3.00 (102x102x76)	—	—	—	—	4.75x2.00 (121x51)
BN4060403SS	BN4060403SSA	6.00x4.00x3.00 (152x102x76)	P0604	P0604SS	P0604G	4.88x2.88 (124x73)	6.75x2.00 (171x51)
BN4060604SS	BN4060604SSA	6.00x6.00x4.00 (152x152x102)	P0606	P0606SS	P0606G	4.88x4.88 (124x124)	6.75x4.00 (171x102)
BN4080604SS	BN4080604SSA	8.00x6.00x4.00 (203x152x102)	P0806	P0806SS	P0806G	6.88x4.88 (175x124)	8.75x4.00 (222x102)
BN4100804SS	BN4100804SSA	10.00x8.00x4.00 (254x203x102)	P1008	P1008SS	P1008G	8.88x6.88 (226x175)	10.75x6.00 (273x152)
BN4121005SS	BN4121005SSA	12.00x10.00x5.00 (305x254x127)	P1210	P1210SS	P1210G	10.88x8.88 (276x226)	12.75x8.00 (324x203)
BN4141206SS	BN4141206SSA	14.00x12.00x6.00 (356x305x152)	P1412	P1412SS	P1412G	12.88x10.88 (327x276)	14.75x10.00 (375x254)
BN4161406SS	BN4161406SSA	16.00x14.00x6.00 (406x356x152)	P1614	P1614SS	P1614G	14.88x12.88 (378x327)	16.75x12.00 (425x305)

*Back panels must be ordered separately.

**BN4 - SS SERIES ENCLOSURES
NEMA 4X JIC CLAMP-COVER WALL-MOUNT**



Panel (Order Separately)




BN4 - CHSS SERIES ENCLOSURES NEMA 4X JIC CONTINUOUS HINGE WALL-MOUNT



BN4141206CHSS

Industry Standards

cULus, Type 4, 4X, 12 & 13
NEMA/EEMAC Type 4, 4X, 12 & 13
IEC 60529, IP66

 UL File E6924, E64791, E470978

 CSA File LL66078

FEATURES-SPECIFICATIONS

Applications

Provides unmatched protection for housing electrical components in highly corrosive environments. This enclosure is used in indoor and outdoor settings that are frequently wet or have constant exposure to water, contaminants, or other liquids.

Construction

- Bodies and doors are fabricated from 304 or 316L stainless steel
- Seams are continuously welded and ground smooth

- Doors are sealed with a poured in place gasket
- External mounting feet are provided
- Weldnuts are provided on models 6.00" x 4.00" and larger to secure **optional** back panels
- Stainless steel screws and clamps are included to assure a water-tight seal
- Door is removed by pulling the stainless steel continuous hinge pin
- Grounding provisions are provided

Finish

- Exterior surfaces of the enclosure have a smooth grained finish
- **Optional** back panels are painted with a white polyester powder
- **Optional** "G" panels are pre-galvanized steel
- **Optional** 304SS back panels are made of 304 stainless steel

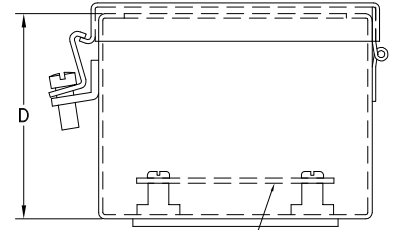
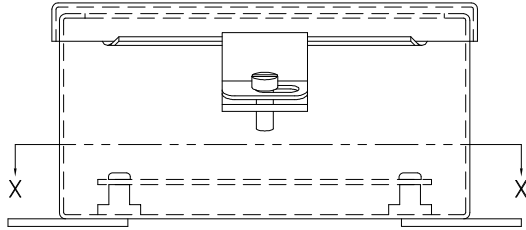
Accessories

- Back panels (reference table)
- See pages L1-L24

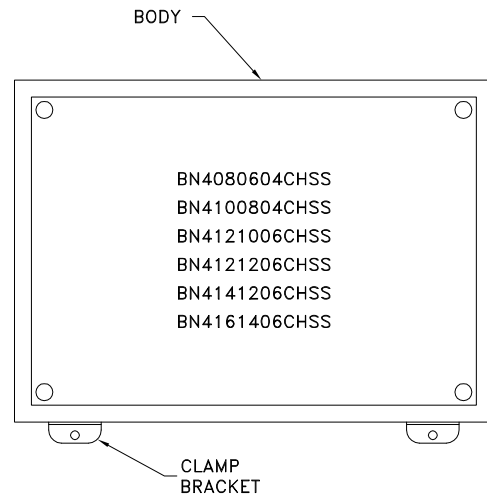
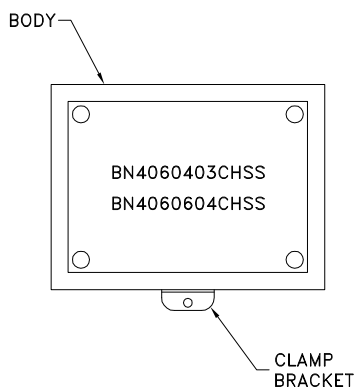
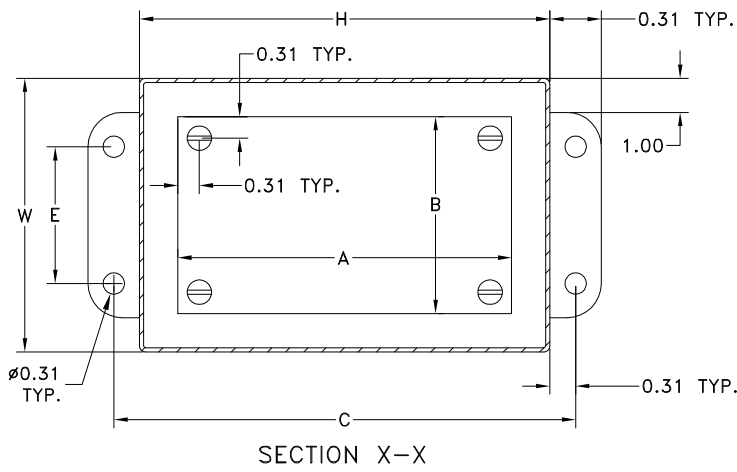
BN4-CHSS SERIES JIC CONTINUOUS HINGE STAINLESS STEEL ENCLOSURES

Catalog Number		Enclosure Size HxWxD	Back Panel Catalog Number*			Back Panel AxB	Mounting CxH
304 SS	316L SS		White	304 SS	"G"		
BN4060404CHSS	BN4060404CHSSA	6.00x4.00x4.00 (152x102x102)	P0604	P0604SS	P0604G	4.88x2.88 (124x73)	6.75x2.00 (171x51)
BN4060604CHSS	BN4060604CHSSA	6.00x6.00x4.00 (152x152x102)	P0606	P0606SS	P0606G	4.88x4.88 (124x124)	6.75x4.00 (171x102)
BN4080604CHSS	BN4080604CHSSA	8.00x6.00x4.00 (203x152x102)	P0806	P0806SS	P0806G	6.88x4.88 (175x124)	8.75x4.00 (222x102)
BN4100804CHSS	BN4100804CHSSA	10.00x8.00x4.00 (254x203x102)	P1008	P1008SS	P1008G	8.88x6.88 (226x175)	10.75x6.00 (273x152)
BN4121006CHSS	BN4121006CHSSA	12.00x10.00x6.00 (305x254x152)	P1210	P1210SS	P1210G	10.88x8.88 (276x226)	12.75x8.00 (324x203)
BN4121206CHSS	BN4121206CHSSA	12.00x12.00x6.00 (305x305x152)	P1212	P1212SS	P1212G	10.88x10.88 (276x276)	12.75x10.00 (324x254)
BN4141206CHSS	BN4141206CHSSA	14.00x12.00x6.00 (356x305x152)	P1412	P1412SS	P1412G	12.88x10.88 (327x276)	14.75x10.00 (375x254)
BN4161406CHSS	BN4161406CHSSA	16.00x14.00x6.00 (406x356x152)	P1614	P1614SS	P1614G	14.88x12.88 (378x327)	16.75x12.00 (425x305)

*Back panels must be ordered separately.



Panel (Order Separately)



ULTIMATE MINI-MAX™ NEMA 4X JIC CONTINUOUS HINGE QUARTER-TURN



BN4080604CHQTSS

Industry Standards

cULus, Type 4, 4X, & 12
NEMA/EEMAC Type 4, 4X, & 12
IEC 60529, IP66

 UL Files E64791, E470978

 CSA File LL 66078

FEATURES-SPECIFICATIONS

Applications

Ultimate Mini-Max™ Series enclosures are designed to house and protect electrical and electronic components in harsh, dirty environments. For use in installations where dirt, dust, oil, water and other contaminants are present. Streamlined styling, ¼ turn latch and attractive durable finish complements any high tech electronic equipment.

Construction

- Bodies and doors are fabricated from 304 or 316L stainless steel
- Seams are continuously welded and ground smooth

- Doors are sealed with a poured in place gasket
- FTC flange around the entire door opening to channel liquids
- External mounting plates on the top and bottom of the enclosure
- Continuous hinged cover
- Door is removed by pulling the stainless steel hinge pin
- Door is secured with a quarter-turn latch

Finish

- Exterior surfaces of the enclosure have a smooth grained finish

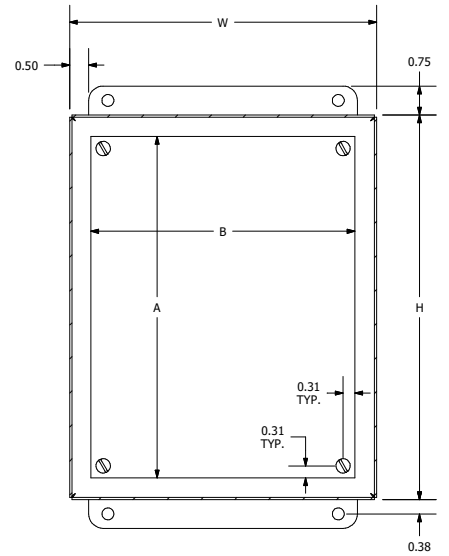
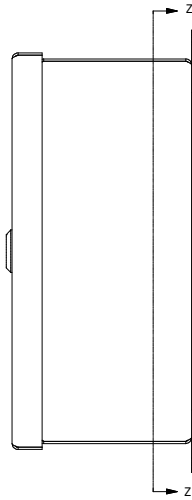
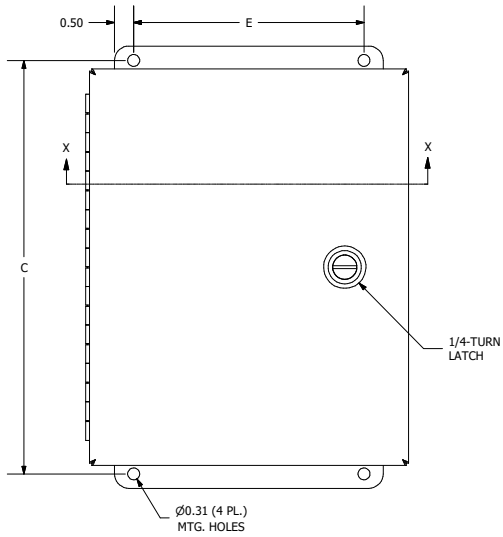
- **Optional** back panels are painted with a white polyester powder
- **Optional** “G” panels are pre-galvanized steel
- **Optional** 304SS back panels are made of 304 stainless steel

Accessories

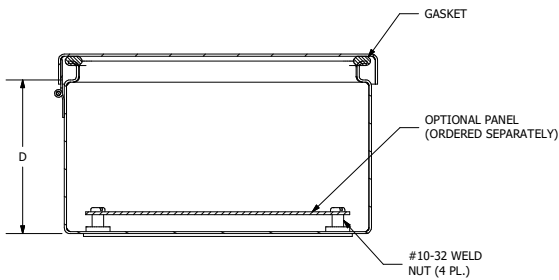
- Back panels (reference table)
- See pages L1-L24

ENCLOSURE CATALOG NUMBER		ENCLOSURE SIZE	BACK PANEL CATALOG NUMBER*			BACK PANEL SIZE A X B	MOUNTING C X E
304 SS	316L SS		WHITE	304 SS	“G”		
BN4060604CHQTSS	BN4060604CHQTSSA	6.00 x 6.00 x 4.00	P0606	P0606SS	P0606G	4.88 x 4.88	6.75 x 4.00
BN4080604CHQTSS	BN4080604CHQTSSA	8.00 x 6.00 x 4.00	P0806	P0806SS	P0806G	6.88 x 4.88	8.75 x 4.00
BN4100804CHQTSS	BN4100804CHQTSSA	10.00 x 8.00 x 4.00	P1008	P1008SS	P1008G	8.88 x 6.88	10.75 x 6.00
BN4100806CHQTSS	BN4100806CHQTSSA	10.00 x 8.00 x 6.00	P1008	P1008SS	P1008G	8.88 x 6.88	10.75 x 6.00
BN4121006CHQTSS	BN4121006CHQTSSA	12.00 x 10.00 x 6.00	P1210	P1210SS	P1210G	10.88 x 8.88	12.75 x 8.00
BN4121206CHQTSS	BN4121206CHQTSSA	12.00 x 12.00 x 6.00	P1212	P1212SS	P1212G	10.88 x 10.88	12.75 x 10.00
BN4141206CHQTSS	BN4141206CHQTSSA	14.00 x 12.00 x 6.00	P1412	P1412SS	P1412G	12.88 x 10.88	14.75 x 10.00
BN4161406CHQTSS	BN4161406CHQTSSA	16.00 x 14.00 x 6.00	P1614	P1614SS	P1614G	14.88 x 12.88	16.75 x 12.00
BN4121008CHQTSS	BN4121008CHQTSSA	12.00 x 10.00 x 8.00	P1210	P1210SS	P1210G	10.88 x 8.88	12.75 x 8.00
BN4121208CHQTSS	BN4121208CHQTSSA	12.00 x 12.00 x 8.00	P1212	P1212SS	P1212G	10.88 x 10.88	12.75 x 10.00
BN4141208CHQTSS	BN4141208CHQTSSA	14.00 x 12.00 x 8.00	P1412	P1412SS	P1412G	12.88 x 10.88	14.75 x 10.00
BN4161408CHQTSS	BN4161408CHQTSSA	16.00 x 14.00 x 8.00	P1614	P1614SS	P1614G	14.88 x 12.88	16.75 x 12.00
BN4121010CHQTSS	BN4121010CHQTSSA	12.00 x 10.00 x 10.00	P1210	P1210SS	P1210G	10.88 x 8.88	12.75 x 8.00
BN4121210CHQTSS	BN4121210CHQTSSA	12.00 x 12.00 x 10.00	P1212	P1212SS	P1212G	10.88 x 10.88	12.75 x 10.00

*Back panels must be ordered separately.



SECTION Z-Z



SECTION X-X


BN4 - AL SERIES ENCLOSURES NEMA 4X LIFT-OFF COVER WALL-MOUNT




BN4060604AL

Industry Standards

cULus, Type 4, 4X, 12 & 13
NEMA/EEMAC Type 4, 4X, 12 & 13
IEC 60528, IP66

 UL File E23553, E470978

 CSA File LL66078

FEATURES-SPECIFICATIONS

Applications

Designed as an instrument housing or junction box for electrical, electronic, or pneumatic components. It is ideal for applications where a lightweight, corrosion resistant enclosure is required.

Construction

- Bodies and doors are fabricated from aluminum
- Seams are continuously welded and ground smooth
- Door are sealed with a poured in place gasket

- External mounting plate on the top and bottom of the enclosure
- Weldnuts are provided to secure **optional** back panels
- Stainless steel screws and clamps are included to assure a water-tight seal
- Grounding provisions are provided

Finish

- Exterior surfaces of the enclosure have a smooth grained finish
- **Optional** back panels are painted with a white polyester powder

- **Optional** "G" panels are pre-galvanized steel
- **Optional** 304SS back panels are made of 304 stainless steel
- **Optional** AL panels are unpainted aluminum

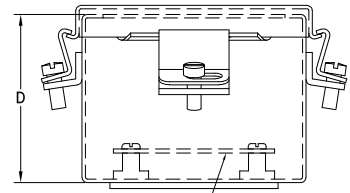
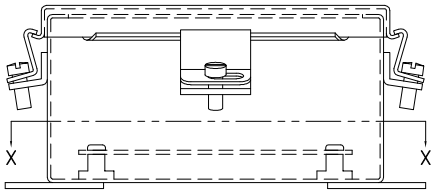
Accessories

- Back panels (reference table)
- See pages L1-L24

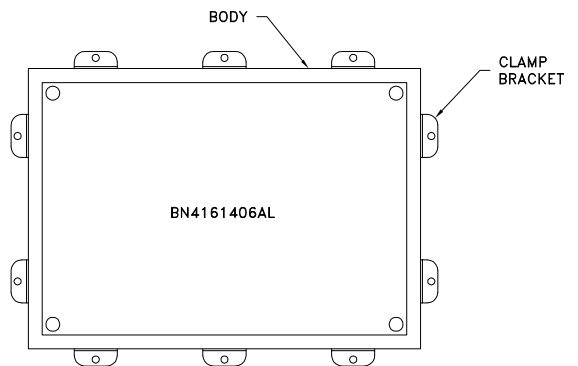
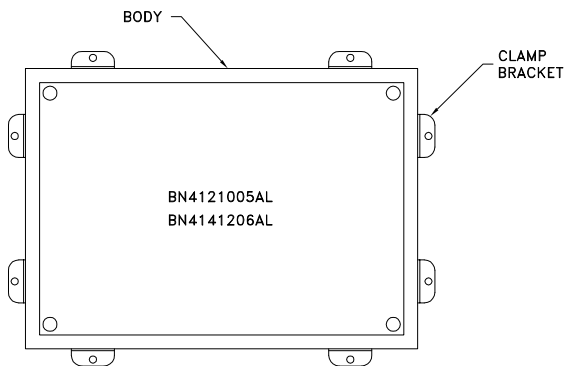
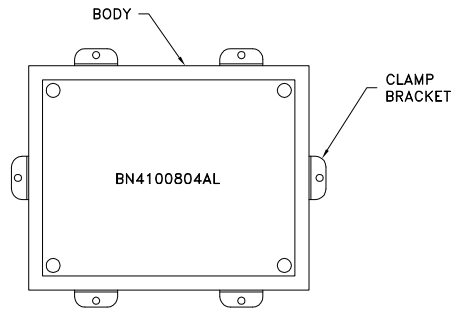
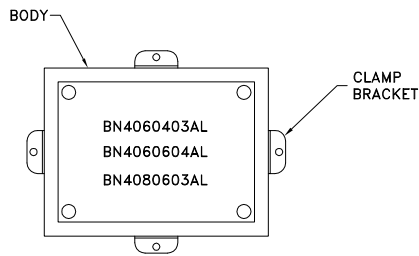
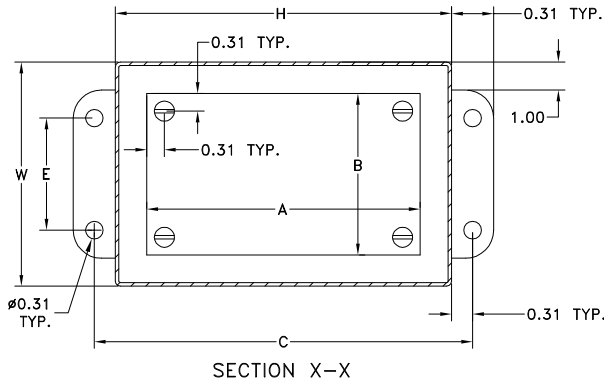
BN4-AL SERIES LIFT-OFF COVER ALUMINUM ENCLOSURES

Catalog Number	Enclosure Size HxWxD	Painted	Back Panel Catalog Number*			Back Panel AxB	Mounting CxE	Overall L x M
			"G"	SS	AL			
BN4060403AL	6.00x4.00x3.00 (152x102x89)	P0606	P0606G	P0606SS	P0606AL	4.88x2.88 (124x73)	16.75x12.00 (425x305)	17.50x15.63 (445x397)
BN4060604AL	6.00x6.00x4.00 (152x152x102)	P0606	P0606G	P0606SS	P0606AL	4.88x4.88 (124x124)	6.75x4.00 (171x102)	7.50x7.63 (191x194)
BN4080603AL	8.00x6.00x3.50 (203x152x89)	P0606	P0606G	P0606SS	P0606AL	6.88x4.88 (175x124)	8.75x4.00 (222x102)	9.50x7.63 (241x194)
BN4100804AL	10.00x8.00x4.00 (254x203x102)	P0606	P0606G	P0606SS	P0606AL	8.88x6.88 (226x175)	10.75x6.00 (273x152)	11.50x9.63 (292x244)
BN4121005AL	12.00x10.00x5.00 (305x254x127)	P0606	P0606G	P0606SS	P0606AL	10.88x8.88 (276x226)	12.75x8.00 (324x203)	13.50x11.63 (343x295)
BN4141206AL	14.00x12.00x6.00 (356x305x152)	P0606	P0606G	P0606SS	P0606AL	12.88x10.88 (327x276)	14.75x10.00 (375x254)	15.50x13.63 (394x346)
BN4161406AL	16.00x14.00x6.00 (406x356x152)	P0606	P0606G	P0606SS	P0606AL	14.88x12.88 (378x327)	16.75x12.00 (425x305)	17.50x15.63 (445x397)

*Back panels must be ordered separately



Panel (Order Separately)



BN4 - CHAL SERIES ENCLOSURES NEMA 4X JIC CONTINUOUS HINGE WALL-MOUNT




BN4080603CHAL

Industry Standards

cULus, Type 4, 4X, 12 & 13
NEMA/EEMAC Type 4, 4X, 12 & 13
IEC 60529, IP66

 UL File E6924, E64791, E470978

 CSA File LL66078

FEATURES-SPECIFICATIONS

Applications

Designed as an instrument housing or junction box for electrical, electronic, or pneumatic components. It is ideal for applications where a lightweight, corrosion resistant enclosure is required.

Construction

- Bodies and doors are fabricated from aluminum
- Seams are continuously welded and ground smooth
- Doors are sealed with a poured in place gasket

- External mounting plate on the top and bottom of the enclosure
- Weldnuts are provided to secure **optional** back panels
- Stainless steel screws and clamps are included to assure a water-tight seal
- Grounding provisions are provided
- Door is removed by pulling the stainless steel hinge pin

Finish

- Exterior surfaces of the enclosure have a smooth grained finish

- **Optional** back panels are painted with a white polyester powder
- **Optional** "G" panels are pre-galvanized steel
- **Optional** 304SS back panels are made of 304 stainless steel
- **Optional** AL panels are unpainted aluminum

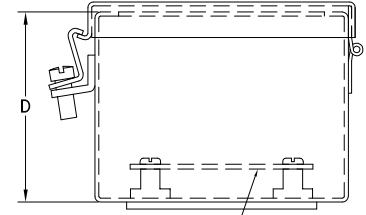
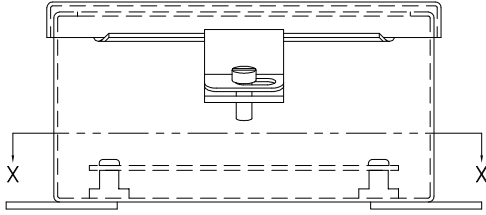
Accessories

- Back panels (reference table)
- See pages L1-L24

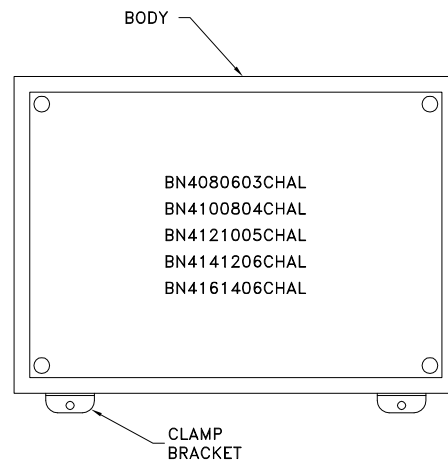
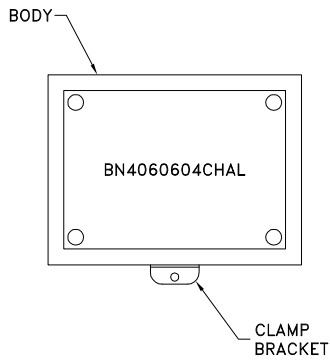
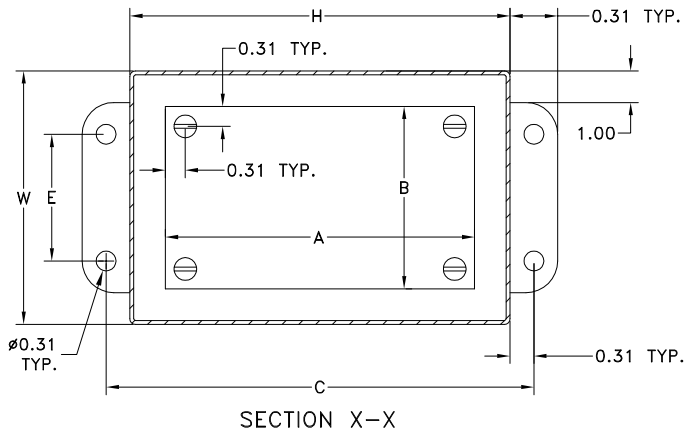
BN4-CHAL SERIES CONTINUOUS HINGE ALUMINUM ENCLOSURES

Catalog Number	Enclosure Size HxWxD	Painted	Back Panel Catalog Number*			Back Panel AxB	Mounting CxExE	Overall L x M
			"G"	SS	AL			
BN4060403AL	6.00x4.00x3.00 (152x102x76)	P0606	P0606G	P0606SS	P0606AL	4.88x2.88 (124x73)	6.75x2.00 (171x51)	7.50x5.63 (191x143)
BN4060604CHAL	6.00x6.00x4.00 (152x152x102)	P0606	P0606G	P0606SS	P0606AL	4.88x4.88 (124x124)	6.75x4.00 (171x102)	7.50x7.00 (191x178)
BN4080603CHAL	8.00x6.00x3.50 (203x152x89)	P0606	P0606G	P0606SS	P0606AL	6.88x4.88 (175x124)	8.75x4.00 (222x102)	9.50x7.00 (241x178)
BN4100804CHAL	10.00x8.00x4.00 (254x203x102)	P0606	P0606G	P0606SS	P0606AL	8.88x6.88 (226x175)	10.75x6.00 (273x152)	11.50x9.00 (292x229)
BN4121005CHAL	12.00x10.00x5.00 (305x254x127)	P0606	P0606G	P0606SS	P0606AL	10.88x8.88 (276x226)	12.75x8.00 (324x203)	13.50x11.00 (343x279)
BN4141206CHAL	14.00x12.00x6.00 (356x305x152)	P0606	P0606G	P0606SS	P0606AL	12.88x10.88 (327x276)	14.75x10.00 (375x254)	15.50x13.00 (394x330)
BN4161406CHAL	16.00x14.00x6.00 (406x356x152)	P0606	P0606G	P0606SS	P0606AL	14.88x12.88 (378x327)	16.75x12.00 (425x305)	17.50x15.00 (445x381)

*Back panels must be ordered separately.



Panel (Order Separately)



WA - GSCSS SERIES ENCLOSURES NEMA 4X SCREW-COVER MOISTURE PROOF




WA121206GSCSS

Industry Standards

cULus, Type 4, 4X, 12 & 13

NEMA/EEMAC Type 4, 4X, 12 & 13

 UL File E23553

 CSA File LL 66078

FEATURES-SPECIFICATIONS

Applications

Designed for use as a wiring box, junction box, pull box or terminal box with many indoor and outdoor applications where dust or moisture is a problem.

Construction

- Bodies and covers are fabricated from 304 or 316 stainless steel

- Seams are continuously welded and ground smooth
- Cover contains a closed cell oil resistant neoprene gasket
- Enclosure comes with stainless steel cover screws which thread into sealed wells to prevent liquid, dust, etc. from entering into the enclosure through the screw holes
- No mounting provisions are provided

Finish

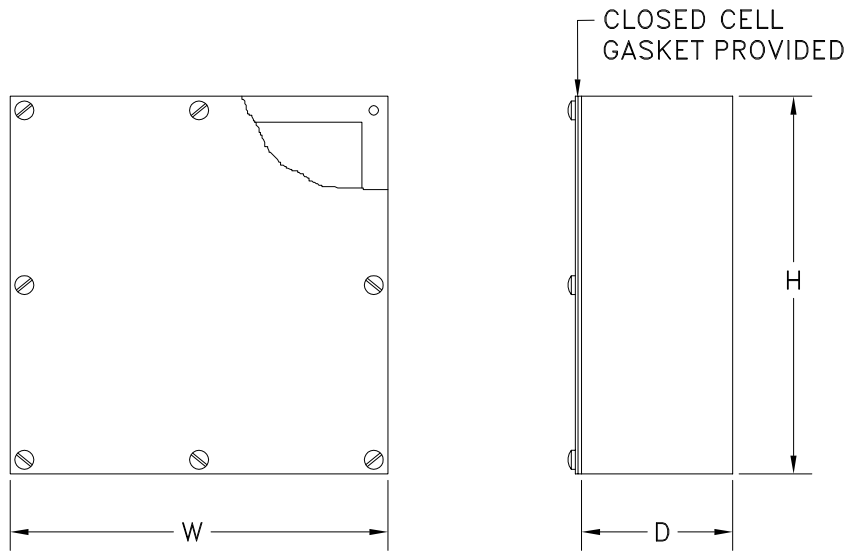
- Exterior surfaces of the enclosure have a smooth grained finish

Accessories

- See pages L1-L24

WA-GSCSS SERIES STAINLESS STEEL SCREW-COVER ENCLOSURES

304 SS	Catalog Number	316 SS	Enclosure Size HxWxD
WA060604GSCSS		WA060604GSCSSA	6.125x6.125x4.00 (155x155x102)
WA060804GSCSS		WA060804GSCSSA	6.125x8.125x4.00 (155x206x102)
WA080804GSCSS		WA080804GSCSSA	8.125x8.125x4.00 (206x206x102)
WA081004GSCSS		WA081004GSCSSA	8.125x10.125x4.00 (206x257x102)
WA101004GSCSS		WA101004GSCSSA	10.125x10.125x4.00 (257x257x102)
WA121204GSCSS		WA121204GSCSSA	12.125x12.125x4.00 (308x308x102)
WA060606GSCSS		WA060606GSCSSA	6.125x6.125x6.00 (155x155x152)
WA060806GSCSS		WA060806GSCSSA	6.125x8.125x6.00 (155x206x152)
WA080806GSCSS		WA080806GSCSSA	8.125x8.125x6.00 (206x206x152)
WA101006GSCSS		WA101006GSCSSA	10.125x10.125x6.00 (257x257x152)
WA101206GSCSS		WA101206GSCSSA	10.125x12.125x6.00 (257x308x152)
WA121206GSCSS		WA121206GSCSSA	12.125x12.125x6.00 (308x308x152)
WA121606GSCSS		WA121606GSCSSA	12.125x16.125x6.00 (308x409x152)
WA161606GSCSS		WA161606GSCSSA	16.125x16.125x6.00 (409x409x152)
WA181806GSCSS		WA181806GSCSSA	18.125x18.125x6.00 (460x460x152)
WA242406GSCSS		WA242406GSCSSA	24.125x24.125x6.00 (613x613x152)
WA121608GSCSS		WA121608GSCSSA	12.125x16.125x8.00 (308x409x203)
WA161608GSCSS		WA161608GSCSSA	16.125x16.125x8.00 (409x409x203)
WA202008GSCSS		WA202008GSCSSA	20.125x20.125x8.00 (511x511x203)
WA202408GSCSS		WA202408GSCSSA	20.125x24.125x8.00 (511x613x203)
WA242408GSCSS		WA242408GSCSSA	24.125x24.125x8.00 (613x613x203)
WA303012GSCSS		WA303012GSCSSA	30.25x30.25x12.00 (768x768x305)
WA363612GSCSS		WA363612GSCSSA	36.25x36.25x12.00 (920x920x305)



WC - CSS SERIES ENCLOSURES NEMA 12 CONSOLE SINGLE DOOR



WC12C12SS

Industry Standards

cULus, Type 12 & 13

NEMA/EEMAC Type 12 & 13

 UL Files E64791

 CSA File LL66078

FEATURES-SPECIFICATIONS

Applications

Designed to house a variety of electronic control or instrumentation devices. Consolets provide protection from dust, dirt, oil, and water. Flexible design allows for mounting on either of two sides, creating control surfaces of 30 degrees or 60 degrees. Consolets can be mounted on desktops, pedestals, or other flat surfaces.

Construction

- Bodies and doors are fabricated from 304 stainless steel
- Seams are continuously welded and ground smooth
- Captivated cover screws thread into sealed wells
- Cover is removed by pulling the stainless steel hinge pin

- Closed cell oil resistant neoprene gasket
- Grounding provisions are provided

Finish

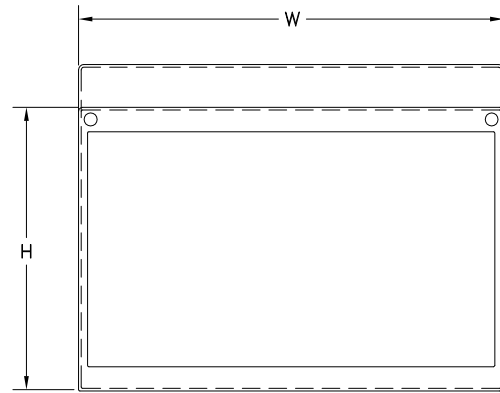
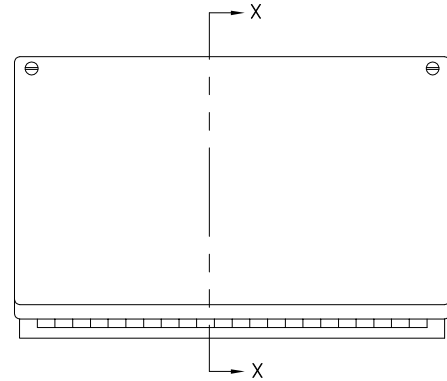
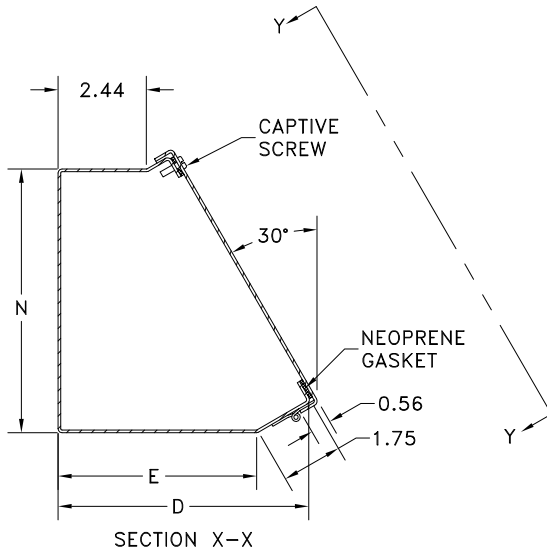
- Exterior surfaces of the enclosure have a smooth grained finish

Accessories

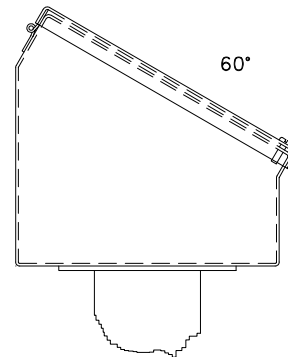
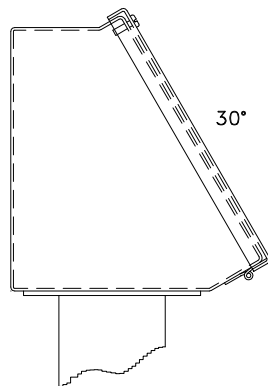
- See pages L1-L24

WC-CSS SERIES CONSOLE ENCLOSURES

Catalog Number	Enclosure Size HxWxD	E	N
WC08C08SS	8.00x8.00x7.09 (203x203x180)	5.69 (144)	7.44 (189)
WC08C12SS	8.00x12.00x7.09 (203x305x180)	5.69 (144)	7.44 (189)
WC08C16SS	8.00x16.00x7.09 (203x406x180)	5.69 (144)	7.44 (189)
WC08C20SS	8.00x20.00x7.09 (203x508x180)	5.69 (144)	7.44 (189)
WC12C12SS	12.00x12.00x9.09 (305x305x231)	7.69 (195)	10.91 (277)
WC12C16SS	12.00x16.00x9.09 (305x406x231)	7.69 (195)	10.91 (277)
WC12C20SS	12.00x20.00x9.09 (305x508x231)	7.69 (195)	10.91 (277)
WC12C24SS	12.00x24.00x9.09 (305x610x231)	7.69 (195)	10.91 (277)
WC16C16SS	16.00x16.00x11.09 (406x406x282)	9.69 (246)	14.38 (365)
WC16C20SS	16.00x20.00x11.09 (406x508x282)	9.69 (246)	14.38 (365)
WC16C24SS	16.00x24.00x11.09 (406x610x282)	9.69 (246)	14.38 (365)
WC16C30SS	16.00x30.00x11.09 (406x762x282)	9.69 (246)	14.38 (365)
WC16C36SS	16.00x36.00x11.09 (406x914x282)	9.69 (246)	14.38 (365)
WC20C20SS	20.00x20.00x13.09 (508x508x333)	11.69 (297)	17.84 (453)
WC20C24SS	20.00x24.00x13.09 (508x610x333)	11.69 (297)	17.84 (453)
WC20C30SS	20.00x30.00x13.09 (508x762x333)	11.69 (297)	17.84 (453)



VIEW Y-Y WITH COVER REMOVED



Console can be positioned at 30° or 60° angle.

**N412 - SSC ULTIMATE SERIES ENCLOSURES
NEMA 4X SINGLE DOOR WALL-MOUNT**



N412201606SSC

Industry Standards

cULus, Type 3R, 4, 4X, 12 & 13
NEMA/EEMAC Type 3R, 4, 4X, 12 & 13
IEC 60529, IP66
Wall mounting kits required to maintain UL/CSA external mounting requirements

UL Files E64791, E470978

CSA File LL66078

FEATURES-SPECIFICATIONS

Applications

N412SSC ULTIMATE Stainless Steel Series Enclosures are designed to house and protect electrical and electronic components in harsh, dirty environments. For use in installations where dirt, dust, oil, water, or other contaminants are present. Streamlined styling, flush latching, and attractive Stainless Steel finish complement any high tech electronic equipment.

Construction

- Bodies and doors are fabricated from 304 or 316L Stainless Steel
- Seams are continuously welded and ground smooth
- Increased tub opening for better access

- Concealed hinges
- Doors are interchangeable and easily removed
- Ground stud located in the door & tub
- 1/4-turn semi-flush latches are supplied to hold door securely closed
- Doors are sealed with a poured in place gasket
- Mounting holes in the back of the enclosure
- Studs for mounting **optional** Ultimate Series back panels are provided

Finish

- Exterior surfaces of the enclosure have a smooth grained finish
- **Optional** back panels are painted with a white polyester powder
- **Optional** "G" panels are pre-galvanized steel (see page L8)
- **Optional** 304SS back panels are made of 304 stainless steel

Accessories

- Back panels (reference table)
- See pages L22-L24 for ULTIMATE Series Accessories
- **Optional** N412MFKSS mounting foot kit must be ordered separately

N412-SSC ULTIMATE SERIES SINGLE DOOR STAINLESS STEEL ENCLOSURES

Catalog Number		Enclosure Size HxWxD	Back Panel Catalog Number*			Back Panel Size AxB
304 SS	316L SS		White	304 SS	"G"	
N412121206SSC	N412121206SSAC	2.00x12.00x6.00 (305x305x152)	NP1212C	NP1212SSC	NP1212CG	10.2x10.2 (259x259)
N412161206SSC	N412161206SSAC	16.00x12.00x6.00 (406x305x152)	NP1612C	NP1612SSC	NP1612CG	14.2x10.2 (361x259)
N412161606SSC	N412161606SSAC	16.00x16.00x6.00 (406x406x152)	NP1616C	NP1616SSC	NP1616CG	14.2x14.2 (361x361)
N412201606SSC	N412201606SSAC	20.00x16.00x6.00(508x406x152)	NP2016C	NP2016SSC	NP2016CG	18.2x14.2 (462x361)
N412202006SSC	N412202006SSAC	20.00x20.00x6.00(508x508x152)	NP2020C	NP2020SSC	NP2020CG	18.2x18.2 (462x462)
N412121208SSC	N412121208SSAC	12.00x12.00x8.00 (305x305x203)	NP1212C	NP1212SSC	NP1212CG	10.2x10.2 (259x259)
N412141408SSC	N412141408SSAC	14.00x14.00x8.00 (355x355x203)	NP1414C	NP1414SSC	NP1414CG	12.2x12.2 (309x309)
N412161208SSC	N412161208SSAC	16.00x12.00x8.00 (406x305x203)	NP1612C	NP1612SSC	NP1612CG	14.2x10.2 (361x259)
N412161608SSC	N412161608SSAC	16.00x16.00x8.00 (406x406x203)	NP1616C	NP1616SSC	NP1616CG	14.2x14.2 (361x361)
N412162008SSC	N412162008SSAC	16.00x20.00x8.00 (406x508x203)	NP2016C	NP2016SSC	NP2016CG	14.2x18.2 (361x462)
N412201608SSC	N412201608SSAC	20.00x16.00x8.00 (508x406x203)	NP2016C	NP2016SSC	NP2016CG	18.2x14.2 (462x361)
N412202008SSC	N412202008SSAC	20.00x20.00x8.00 (508x508x203)	NP2020C	NP2020SSC	NP2020CG	18.2x18.2 (462x462)
N412241608SSC	N412241608SSAC	24.00x16.00x8.00 (610x406x203)	NP2416C	NP2416SSC	NP2416CG	22.2x14.2 (564x361)
N412242008SSC	N412242008SSAC	24.00x20.00x8.00(610x508x203)	NP2420C	NP2420SSC	NP2420CG	22.2x18.2(564x462)
N412242408SSC	N412242408SSAC	24.00x24.00x8.00(610x610x203)	NP2424C	NP2424SSC	NP2424CG	22.2x22.2(564x564)
N412302408SSC	N412302408SSAC	30.00x24.00x8.00(762x610x203)	NP3024C	NP3024SSC	NP3024CG	28.2x22.2(716x564)
N412303008SSC	N412303008SSAC	30.00x30.00x8.00(762x610x203)	NP3030C	NP3030SSC	NP3030CG	28.2x28.2(716x716)

* Back panels must be ordered separately.

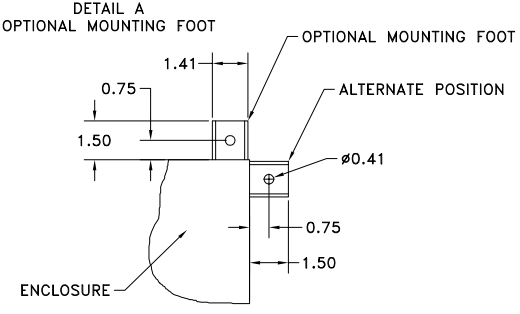
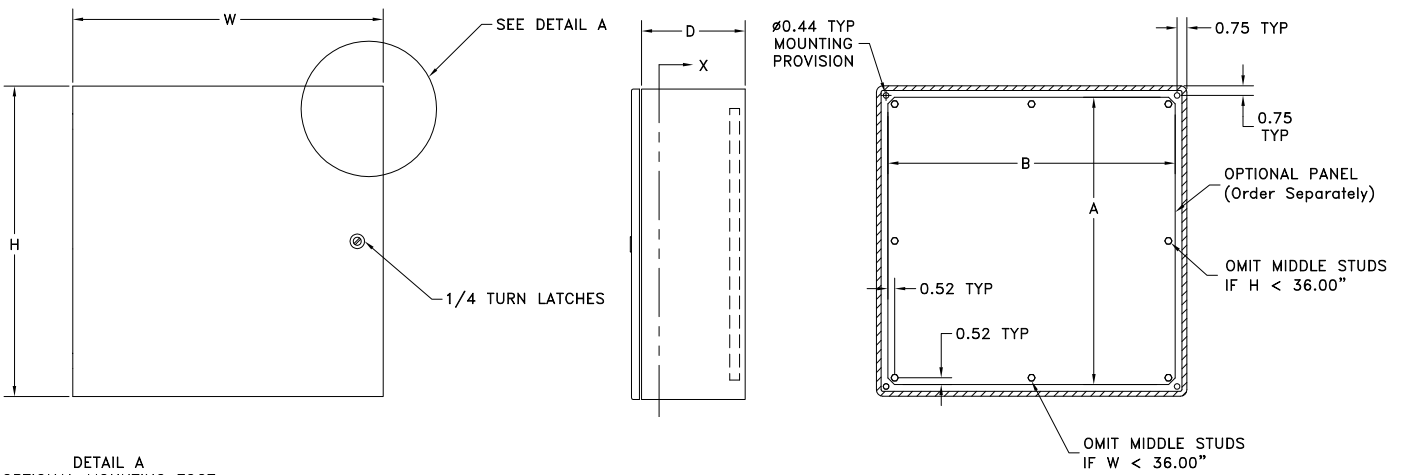
continued on page E23

N412 - SSC ULTIMATE SERIES ENCLOSURES NEMA 4X SINGLE DOOR WALL-MOUNT

N412-SSC ULTIMATE SERIES SINGLE DOOR STAINLESS STEEL ENCLOSURES (CONT.)

Catalog Number		Enclosure Size HxWxD	Back Panel Catalog Number*			Back Panel Size AxB
304 SS	316L SS		White	304 SS	"G"	
N412362408SSC	N412362408SSAC	36.00x24.00x8.00(914x610x203)	NP3624C	NP3624SSC	NP3624CG	34.2x22.2(869x564)
N412363008SSC	N412363008SSAC	36.00x30.00x8.00(914x762x203)	NP3630C	NP3630SSC	NP3630CG	34.2x28.2(869x716)
N412161210SSC	N412161210SSAC	16.00x12.00x10.00(406x305x254)	NP1612C	NP1612SSC	NP1612CG	14.2x10.2(361x259)
N412161610SSC	N412161610SSAC	16.00x16.00x10.00(406x406x254)	NP1616C	NP1616SSC	NP1616CG	14.2x14.2(361x361)
N412162010SSC	N412162010SSAC	16.00x20.00x10.00(406x508x203)	NP1620C	NP1620SSC	NP1620CG	14.2x18.2(361x467)
N412201610SSC	N412201610SSAC	20.00x16.00x10.00(508x406x254)	NP2016C	NP2016SSC	NP2016CG	18.2x14.2(467x361)
N412202010SSC	N412202010SSAC	20.00x20.00x10.00(508x508x254)	NP2020C	NP2020SSC	NP2020CG	18.2x18.2(467x467)
N412241610SSC	N412241610SSAC	24.00x16.00x10.00(610x406x254)	NP2416C	NP2416SSC	NP2416CG	22.2x14.2(564x361)
N412242010SSC	N412242010SSAC	24.00x20.00x10.00(610x508x254)	NP2020C	NP2020SSC	NP2020CG	18.2x18.2(467x467)
N412242410SSC	N412242410SSAC	24.00x24.00x10.00(610x610x254)	NP2424C	NP2424SSC	NP2424CG	22.2x22.2(569x569)
N412302410SSC	N412302410SSAC	30.00x24.00x10.00(762x610x254)	NP3024C	NP3024SSC	NP3024CG	28.2x22.2(716x564)
N412303010SSC	N412303010SSAC	30.00x30.00x10.00(762x762x254)	NP3030C	NP3030SSC	NP3030CG	28.2x28.2(716x716)
N412362410SSC	N412362410SSAC	36.00x24.00x10.00(914x610x254)	NP3624C	NP3624SSC	NP3624CG	34.2x22.2(869x564)
N412363010SSC	N412363010SSAC	36.00x30.00x10.00(914x762x254)	NP3630C	NP3630SSC	NP3630CG	34.2x28.2(869x716)
N412363610SSC	N412363610SSAC	36.00x36.00x10.00(914x914x254)	NP3636C	NP3636SSC	NP3636CG	34.2x34.2(869x869)
N412423610SSC	N412423610SSAC	42.00x36.00x10.00(1067x914x254)	NP4236C	NP4236SSC	NP4236CG	40.2x34.2(1021x869)
N412483610SSC	N412483610SSAC	48.00x36.00x10.00(1219x914x254)	NP4836C	NP4836SSC	NP4836CG	46.2x34.2(1173x869)
N412603610SSC	N412603610SSAC	60.00x36.00x10.00(1524x914x254)	NP6036C	NP6036SSC	NP6036CG	58.2x34.2(1478x869)
N412202012SSC	N412202012SSAC	20.00x20.00x12.00(508x508x305)	NP2020C	NP2020SSC	NP2020CG	18.2x18.2(462x462)
N412242412SSC	N412242412SSAC	24.00x24.00x12.00(610x610x305)	NP2424C	NP2424SSC	NP2424CG	22.2x22.2(564x564)
N412302412SSC	N412302412SSAC	30.00x24.00x12.00(762x610x305)	NP3024C	NP3024SSC	NP3024CG	28.2x22.2(716x564)
N412362412SSC	N412362412SSAC	36.00x24.00x12.00(914x610x305)	NP3624C	NP3624SSC	NP3624CG	34.2x22.2(869x564)
N412363012SSC	N412363012SSAC	36.00x30.00x12.00(914x762x305)	NP3630C	NP3630SSC	NP3630CG	34.2x28.2(869x716)
N412363612SSC	N412363612SSAC	36.00x36.00x12.00(914x914x305)	NP3636C	NP3636SSC	NP3636CG	34.2x34.2(869x869)
N412423612SSC	N412423612SSAC	42.00x36.00x12.00(1067x914x305)	NP4236C	NP4236SSC	NP4236CG	40.2x34.2(1021x869)
N412483612SSC	N412483612SSAC	48.00x36.00x12.00(1219x914x305)	NP4836C	NP4836SSC	NP4836CG	46.2x34.2(1173x869)
N412603612SSC	N412603612SSAC	60.00x36.00x12.00(1524x914x305)	NP6036C	NP6036SSC	NP6036CG	58.2x34.2(1478x869)

* Back panels must be ordered separately.



- Notes:
1. Enclosures that are 24"x24" or larger receive two 1/4 turn latches. When H=40.00" or more a 3-point latch is provided.
 2. Two hinges provided when H<36.00". Three hinges provided when H=36.00" or greater. Four hinges provided when H=48.00" or greater.

N412 - WSSC ULTIMATE SERIES ENCLOSURES NEMA 4X SINGLE DOOR WALL-MOUNT WITH WINDOW





N412202006WSSC

Industry Standards

cULus, Type 3R, 4, 4X, 12
NEMA/EEMAC Type 3R, 4, 4X, 12
IEC 60529, IP66

Wall mounting kits required to maintain UL/CSA external mounting requirements

 UL Files E64791, E470978

 CSA File LL66078

FEATURES-SPECIFICATIONS

Applications

N412SSC ULTIMATE Series Enclosures are designed to house and protect electrical and electronic components in harsh, dirty environments. For use in installations where dirt, dust, oil, water, or other contaminants are present. Streamlined styling, flush latching, and attractive Stainless Steel finish complement any high tech electronic equipment.

Construction

- Bodies and doors are fabricated from 304 or 316L Stainless Steel
- Seams are continuously welded and ground smooth
- Increased tub opening for better access

- Polycarbonate viewing window for clear visibility
- Concealed hinges
- Doors are interchangeable and easily removed
- Ground stud located in the door & tub
- 1/4-turn semi-flush latches are supplied to hold door securely closed
- Doors are sealed with a poured in place gasket
- Mounting holes in the back of the enclosure
- Studs for mounting optional Ultimate Series back panels are provided

Finish

- Exterior surfaces of the enclosure have a smooth grained finish
- **Optional** back panels are painted with a white polyester powder
- **Optional** "G" panels are pre-galvanized steel (see page L8)
- **Optional** 304SS back panels are made of 304 stainless steel

Accessories

- Back panels (reference table)
- See pages L22-L24 for ULTIMATE Series Accessories
- **Optional** N412MFKSS mounting foot kit must be ordered separately (see page L8)

N412WSSC ULTIMATE SERIES SINGLE DOOR WITH WINDOW STAINLESS STEEL ENCLOSURES

Catalog Number 304 SS	Enclosure Size HxWxD	Window Size	Back Panel Catalog Number*		Back Panel Size AxB
			White	"G"	
N412121206WSSC	12.00x12.00x6.00 (305x305x152)	7.50 x 6.25 (191 x 159)	NP1212C	NP1212CG	10.2x10.2 (259x259)
N412161206WSSC	16.00x12.00x6.00 (406x305x152)	11.50 x 6.25 (292 x 159)	NP1612C	NP1612CG	14.2x10.2 (361x259)
N412201606WSSC	20.00x16.00x6.00 (508x406x152)	15.50 x 10.25 (394 x 260)	NP2016C	NP2016CG	18.2x14.2 (462x361)
N412202006WSSC	20.00x20.00x6.00 (508x508x152)	15.50 x 14.25 (394 x 362)	NP2020C	NP2020CG	18.2x18.2 (462x462)
N412242006WSSC	24.00x20.00x6.00 (610x508x152)	19.50 x 14.25 (495 x 362)	NP2420C	NP2420CG	22.2x18.2 (564x462)
N412242406WSSC	24.00x24.00x6.00 (610x610x152)	19.50 x 18.25 (495 x 464)	NP2424C	NP2424CG	22.2x22.2 (564x564)
N412302406WSSC	30.00x24.00x6.00 (762x610x152)	25.50 x 18.25 (648 x 464)	NP3024C	NP3024CG	28.2x22.2 (716x564)
N412121208WSSC	12.00x12.00x8.00 (305x305x203)	7.50 x 6.25 (191 x 159)	NP1212C	NP1212CG	10.2x10.2 (259x259)
N412161208WSSC	16.00x12.00x8.00 (406x305x203)	11.50 x 6.25 (292 x 159)	NP1612C	NP1612CG	14.2x10.2 (361x259)
N412201608WSSC	20.00x16.00x8.00 (508x406x203)	15.50 x 10.25 (394 x 260)	NP2016C	NP2016CG	18.2x14.2 (462x361)
N412202008WSSC	20.00x20.00x8.00 (508x508x203)	15.50 x 14.25 (394 x 362)	NP2020C	NP2020CG	18.2x18.2 (462x462)
N412242008WSSC	24.00x20.00x8.00 (610x508x203)	19.50 x 14.25 (495 x 362)	NP2420C	NP2420CG	22.2x18.2 (564x462)

*Back panels must be ordered separately.

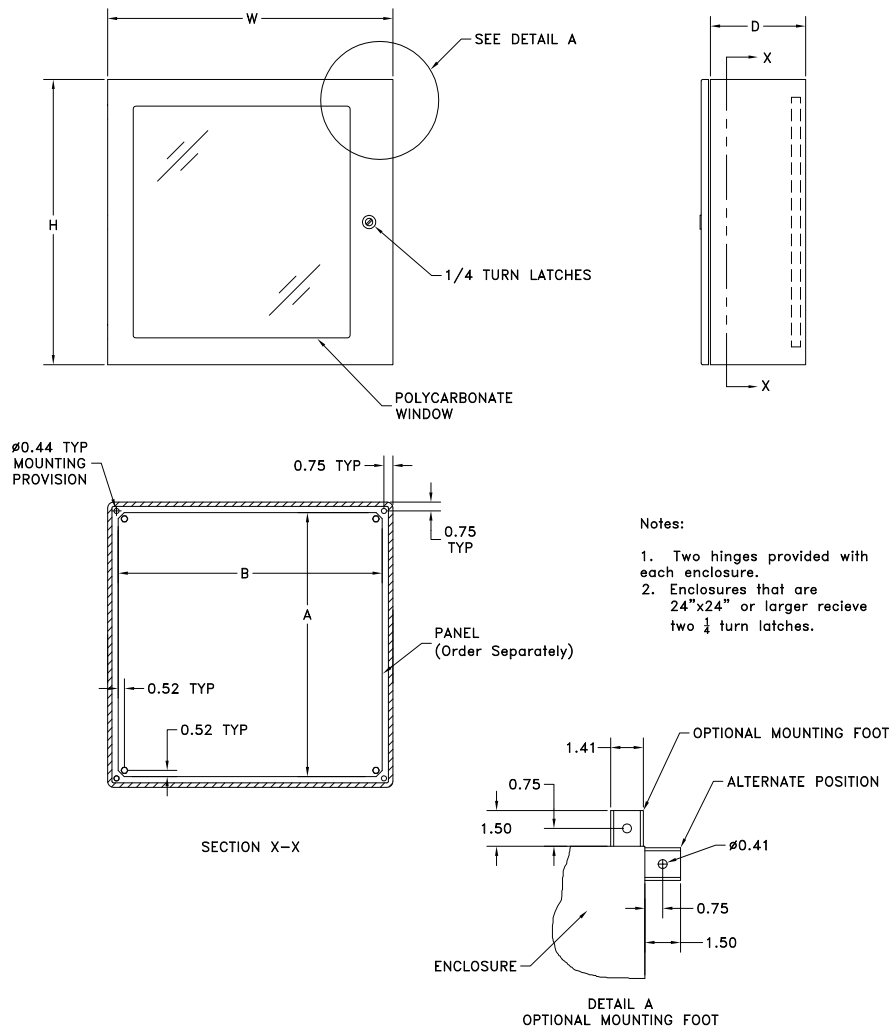
continued on page E25

N412 - WSSC ULTIMATE SERIES ENCLOSURES NEMA 4X SINGLE DOOR WALL-MOUNT WITH WINDOW

N412WSSC ULTIMATE SERIES SINGLE DOOR WITH WINDOW STAINLESS STEEL ENCLOSURES (CONT.)

Catalog Number 304 SS	Enclosure Size HxWxD	Window Size	Back Panel Catalog Number*		Back Panel Size AxB
			White	"G"	
N412242408WSSC	24.00x24.00x8.00 (610x610x203)	19.50 x 18.25 (495 x 464)	NP2424C	NP2424CG	22.2x22.2 (564x564)
N412302408WSSC	30.00x24.00x8.00 (762x610x203)	25.50 x 18.25 (648 x 464)	NP3024C	NP3024CG	28.2x22.2 (716x564)
N412161210WSSC	16.00x12.00x10.00 (406x305x254)	11.50 x 6.25 (292 x 159)	NP1612C	NP1612CG	14.2x10.2 (361x259)
N412201610WSSC	20.00x16.00x10.00 (508x406x254)	15.50 x 10.25 (394 x 260)	NP2016C	NP2016CG	18.2x14.2 (462x361)
N412202010WSSC	20.00x20.00x10.00 (508x508x254)	15.50 x 14.25 (394 x 362)	NP2020C	NP2020CG	18.2x18.2 (462x462)
N412242010WSSC	24.00x20.00x10.00 (610x508x254)	19.50 x 14.25 (495 x 362)	NP2420C	NP2420CG	22.2x18.2 (564x462)
N412242410WSSC	24.00x24.00x10.00 (610x610x254)	19.50 x 18.25 (495 x 464)	NP2424C	NP2424CG	22.2x22.2 (564x564)
N412302410WSSC	30.00x24.00x10.00 (762x610x254)	25.50 x 18.25 (648 x 464)	NP3024C	NP3024CG	28.2x22.2 (716x564)
N412202012WSSC	20.00x20.00x12.00 (508x508x305)	15.50 x 14.25 (394 x 362)	NP2020C	NP2020CG	18.2x18.2 (462x462)
N412242012WSSC	24.00x20.00x12.00 (610x508x305)	19.50 x 14.25 (495 x 362)	NP2420C	NP2420CG	22.2x18.2 (564x462)
N412242412WSSC	24.00x24.00x12.00 (610x610x305)	19.50 x 18.25 (495 x 464)	NP2424C	NP2424CG	22.2x22.2 (564x564)
N412302412WSSC	30.00x24.00x12.00 (762x610x305)	25.50 x 18.25 (648 x 464)	NP3024C	NP3024CG	28.2x22.2 (716x564)
N412242416WSSC	24.00x24.00x16.00 (610x610x406)	19.50 x 18.25 (495 x 464)	NP2424C	NP2424CG	22.2x22.2 (564x564)
N412242420WSSC	24.00x24.00x20.00 (610x610x508)	19.50 x 18.25 (495 x 464)	NP2424C	NP2424CG	22.2x22.2 (564x564)
N412302420WSSC	30.00x24.00x20.00 (762x610x508)	25.50 X 18.25 (648 X 464)	NP3024C	NP3024CG	28.2X22.2 (716X564)

*Back panels must be ordered separately.



- Notes:**
1. Two hinges provided with each enclosure.
 2. Enclosures that are 24"x24" or larger receive two 1/4 turn latches.

N412 - SS3PTC & SSA3PTC ULTIMATE SERIES ENCLOSURES NEMA 4, 4X & 12, SINGLE DOOR WALL-MOUNT



N412201606SS3PTC

Industry Standards

cULus, Type 3R, 4, 4X, 12 & 13
NEMA/EEMAC Type 3R, 4, 4X, 12 & 13
IEC 60529, IP66

Wall mounting kits required to maintain UL/CSA external mounting requirements

 UL Files E64791, E470978

 CSA File LL66078

FEATURES-SPECIFICATIONS

Applications

N412SS3PTC ULTIMATE Series Enclosures are designed to house and protect electrical and electronic components in harsh, dirty environments. For use in installations where dirt, dust, oil, water, or other contaminants are present. Streamlined styling, flush latching, and attractive durable finish complements any high tech electronic equipment.

Construction

- Bodies and doors are fabricated from 304 or 316L stainless steel

- Seams are continuously welded and ground smooth
- Doors are interchangeable and easily removed
- Grounding studs are welded to the door and body assuring a positive ground
- Foam in place door gasket
- Mounting holes in the back of the enclosure
- Collar studs for mounting **optional** back panels are provided
- 3-point 316L SS padlocking handle

Finish

- Exterior surfaces of the enclosure have a smooth grained finish
- Optional** back panels are painted with a white polyester powder
- Optional** "G" panels are pre-galvanized steel
- Optional** 304SS back panels are made of 304 stainless steel

Accessories

- Back panels (reference table)
- See pages L1-L24
- Optional** N412MFKSS mounting foot kit must be ordered separately

N412 SS3PTC SERIES SINGLE DOOR WALL-MOUNT 304 STAINLESS ENCLOSURES

Catalog Number	Enclosure Size HxWxD	Back Panel Catalog Number*			Back Panel Size AxB
		White	304 SS	"G"	
N412121206SS1PTC	12.00x12.00x6.00 (305x305x152)	NP1212C	NP1212SSC	NP1212CG	10.2x10.2(259x259)
N412161206SS1PTC	16.00x12.00x6.00 (406x305x152)	NP1612C	NP1612SSC	NP1612CG	14.2x10.2 (361x259)
N412161606SS1PTC	16.00x16.00x6.00 (406x406x152)	NP1616C	NP1616SSC	NP1616CG	14.2x14.2 (361x361)
N412201606SS1PTC	20.00x16.00x6.00 (508x406x152)	NP2016C	NP2016SSC	NP2016CG	18.2x14.2 (462x361)
N412202006SS1PTC	20.00x20.00x6.00 (508x508x152)	NP2020C	NP2020SSC	NP2020CG	18.2x18.2 (462x462)
N412161208SS1PTC	16.00x12.00x8.00 (406x305x203)	NP1612C	NP1612SSC	NP1612CG	14.2x10.2 (361x259)
N412161608SS1PTC	16.00x16.00x8.00 (406x406x203)	NP1616C	NP1616SSC	NP1616CG	14.2x14.2 (361x361)
N412162008SS1PTC	16.00x20.00x8.00 (406x508x203)	NP1620C	NP1620SSC	NP1620CG	14.2x18.2 (361x462)
N412201608SS1PTC	20.00x16.00x8.00 (508x406x203)	NP2016C	NP2016SSC	NP2016CG	18.2x14.2 (462x361)
N412202008SS1PTC	20.00x20.00x8.00 (508x508x203)	NP2020C	NP2020SSC	NP2020CG	18.2x18.2 (462x462)
N412241608SS3PTC	24.00x16.00x8.00 (610x406x203)	NP2416C	NP2416SSC	NP2416CG	22.2x14.2 (564x361)
N412242008SS3PTC	24.00x20.00x8.00 (610x508x203)	NP2420C	NP2420SSC	NP2420CG	22.2x18.2 (564x462)
N412242408SS3PTC	24.00x24.00x8.00 (610x610x203)	NP2424C	NP2424SSC	NP2424CG	22.2x22.2 (564x564)
N412302408SS3PTC	30.00x24.00x8.00 (762x610x203)	NP3024C	NP3024SSC	NP3024CG	28.2x22.2 (716x564)
N412303008SS3PTC	30.00x30.00x8.00 (762x762x203)	NP3030C	NP3030SSC	NP3030CG	28.2x28.2 (716x716)
N412362408SS3PTC	36.00x24.00x8.00 (914x610x203)	NP3624C	NP3624SSC	NP3624CG	34.2x22.2 (869x564)
N412363008SS3PTC	36.00x30.00x8.00 (914x762x203)	NP3630C	NP3630SSC	NP3630CG	34.2x28.2 (869x716)
N412202012SS1PTC	20.00x20.00x12.00 (508x508x305)	NP2020C	NP2020SSC	NP2020CG	18.2x18.2 (462x462)
N412242412SS3PTC	24.00x24.00x12.00 (610x610x305)	NP2424C	NP2424SSC	NP2424CG	22.2x22.2 (564x564)
N412302412SS3PTC	30.00x24.00x12.00 (762x610x305)	NP3024C	NP3024SSC	NP3024CG	28.2x22.2 (716x564)
N412362412SS3PTC	36.00x24.00x12.00 (914x610x305)	NP3624C	NP3624SSC	NP3624CG	34.2x22.2 (869x564)
N412363012SS3PTC	36.00x30.00x12.00 (914x762x305)	NP3630C	NP3630SSC	NP3630CG	34.2x28.2 (869x716)
N412363612SS3PTC	36.00x36.00x12.00 (914x914x305)	NP3636C	NP3636SSC	NP3636CG	34.2x34.2 (869x869)
N412423612SS3PTC	42.00x36.00x12.00 (1067x914x305)	NP4236C	NP4236SSC	NP4236CG	40.2x34.2 (1021x869)
N412483612SS3PTC	48.00x36.00x12.00 (1219x914x305)	NP4836C	NP4836SSC	NP4836CG	46.2x34.2 (1173x869)
N412603612SS3PTC	60.00x36.00x12.00 (1524x914x305)	NP6036C	NP6036SSC	NP6036CG	58.2x34.2 (1478x869)

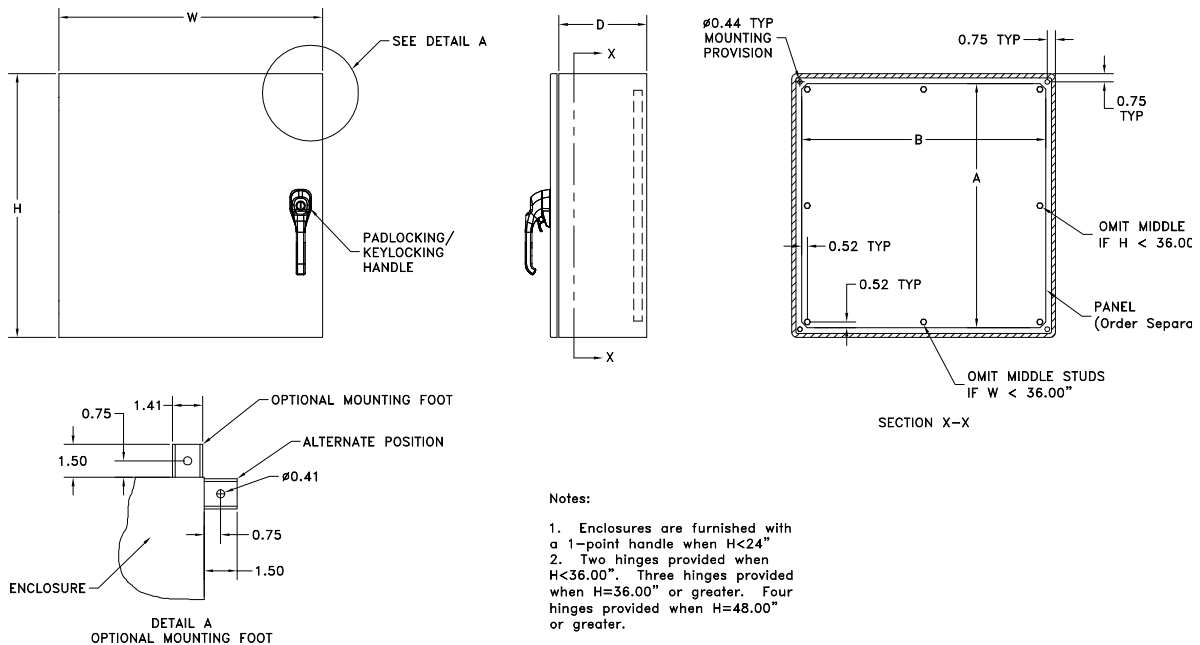
*Back panels must be ordered separately.

N412 - SS3PTC & SSA3PTC ULTIMATE SERIES ENCLOSURES NEMA 4, 4X & 12 SINGLE DOOR WALL-MOUNT

N412 SSA3PTC SERIES SINGLE DOOR WALL-MOUNT 316 STAINLESS STEEL ENCLOSURES

Catalog Number	Enclosure Size HxWxD	Back Panel Catalog Number*			Back Panel Size AxB
		White	304 SS	"G"	
N412121206SSA1PTC	12.00x12.00x6.00 (305x305x152)	NP1212C	NP1212SSC	NP1212CG	10.2x10.2 (259x259)
N412161206SSA1PTC	16.00x12.00x6.00 (406x305x152)	NP1612C	NP1612SSC	NP1612CG	14.2x10.2 (361x259)
N412161606SSA1PTC	16.00x16.00x6.00 (406x406x152)	NP1616C	NP1616SSC	NP1616CG	14.2x14.2 (361x361)
N412201606SSA1PTC	20.00x16.00x6.00 (508x406x152)	NP2016C	NP2016SSC	NP2016CG	18.2x14.2 (462x361)
N412202006SSA1PTC	20.00x20.00x6.00 (508x508x152)	NP2020C	NP2020SSC	NP2020CG	18.2x18.2 (462x462)
N412161208SSA1PTC	16.00x12.00x8.00 (406x305x203)	NP1612C	NP1612SSC	NP1612CG	14.2x10.2 (361x259)
N412161608SSA1PTC	16.00x16.00x8.00 (406x406x203)	NP1616C	NP1616SSC	NP1616CG	14.2x14.2 (361x361)
N412162008SSA1PTC	16.00x20.00x8.00 (406x508x203)	NP1620C	NP1620SSC	NP1620CG	14.2x18.2 (361x462)
N412201608SSA1PTC	20.00x16.00x8.00 (508x406x203)	NP2016C	NP2016SSC	NP2016CG	18.2x14.2 (462x361)
N412202008SSA1PTC	20.00x20.00x8.00 (508x508x203)	NP2020C	NP2020SSC	NP2020CG	18.2x18.2 (462x462)
N412241608SSA3PTC	24.00x16.00x8.00 (610x406x203)	NP2416C	NP2416SSC	NP2416CG	22.2x14.2 (564x361)
N412242008SSA3PTC	24.00x20.00x8.00 (610x508x203)	NP2420C	NP2420SSC	NP2420CG	22.2x18.2 (564x462)
N412242408SSA3PTC	24.00x24.00x8.00 (610x610x203)	NP2424C	NP2424SSC	NP2424CG	22.2x22.2 (564x564)
N412302408SSA3PTC	30.00x24.00x8.00 (762x610x203)	NP3024C	NP3024SSC	NP3024CG	28.2x22.2 (716x564)
N412303008SSA3PTC	30.00x30.00x8.00 (762x762x203)	NP3030C	NP3030SSC	NP3030CG	28.2x28.2 (716x716)
N412362408SSA3PTC	36.00x24.00x8.00 (914x610x203)	NP3624C	NP3624SSC	NP3624CG	34.2x22.2 (869x564)
N412363008SSA3PTC	36.00x30.00x8.00 (914x762x203)	NP3630C	NP3630SSC	NP3630CG	34.2x28.2 (869x716)
N412202012SSA1PTC	20.00x20.00x12.00 (508x508x305)	NP2020C	NP2020SSC	NP2020CG	18.2x18.2 (462x462)
N412242412SSA3PTC	24.00x24.00x12.00 (610x610x305)	NP2424C	NP2424SSC	NP2424CG	22.2x22.2 (564x564)
N412302412SSA3PTC	30.00x24.00x12.00 (762x610x305)	NP3024C	NP3024SSC	NP3024CG	28.2x22.2 (716x564)
N412362412SSA3PTC	36.00x24.00x12.00 (914x610x305)	NP3624C	NP3624SSC	NP3624CG	34.2x22.2 (869x564)
N412363012SSA3PTC	36.00x30.00x12.00 (914x762x305)	NP3630C	NP3630SSC	NP3630CG	34.2x28.2 (869x716)
N412363612SSA3PTC	36.00x36.00x12.00 (914x914x305)	NP3636C	NP3636SSC	NP3636CG	34.2x34.2 (869x869)
N412423612SSA3PTC	42.00x36.00x12.00 (1067x914x305)	NP4236C	NP4236SSC	NP4236CG	40.2x34.2 (1021x869)
N412483612SSA3PTC	48.00x36.00x12.00 (1219x914x305)	NP4836C	NP4836SSC	NP4836CG	46.2x34.2 (1173x869)
N412603612SSA3PTC	60.00x36.00x12.00 (1524x914x305)	NP6036C	NP6036SSC	NP6036CG	58.2x34.2 (1478x869)

*Back panels must be ordered separately.



N412 - CSSST ULTIMATE SERIES SLOPE-TOP ENCLOSURES NEMA 4, 4X, 12 & 13 STAINLESS SINGLE DOOR



N412201612CSSST

Industry Standards

cULus, Type 3R, 4, 4X, 12 & 13
NEMA/EEMAC Type 3R, 4, 4X, 12 & 13
IEC 60529, IP66

Wall mounting kits required to
maintain UL/CSA external mounting
requirements



UL Files E64791, E470978



CSA File LL66078

FEATURES-SPECIFICATIONS

Applications

N412CSSST ULTIMATE Series Enclosures are designed to house and protect electrical and electronic components in harsh, dirty environments. For use in installations where dirt, dust, oil, water, or other contaminants are present. Streamlined styling, flush latching, and attractive durable finish complements any high tech electronic equipment.

Construction

- Bodies and doors are fabricated from 304 stainless steel
- Seams are continuously welded and ground smooth
- Increased tub opening for better access

- 20° sloped top
- Sloped "Top Tub Flange"
- Concealed hinges
- Doors are interchangeable and easily removed
- Grounding provisions are provided
- 1/4-turn semi-flush oil-tight latches are supplied to hold door securely closed
- Doors are sealed with a poured in place gasket
- Mounting holes in the back of the enclosure
- Studs for mounting **optional** Ultimate Series back panels are provided

Finish

- Exterior surfaces of the enclosure have a smooth grained finish
- **Optional** back panels are painted with a white polyester powder
- **Optional** "G" panels are pre-galvanized steel
- **Optional** 304SS back panels are made of 304 stainless steel

Accessories

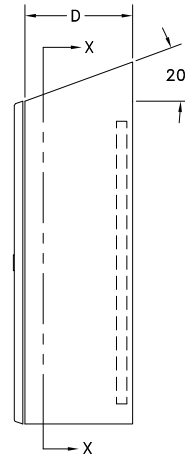
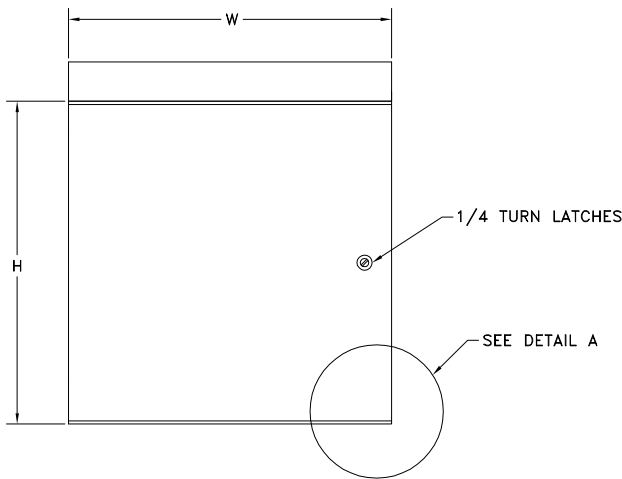
- Back panels (reference table)
- See pages L1-L24.
- **Optional** N412MFKSS mounting foot kit must be ordered separately (see page L8)

N412 CSSST SERIES SINGLE DOOR SLOPE-TOP 304 STAINLESS STEEL ENCLOSURES

Catalog Number	Enclosure Size HxWxD	Back Panel Catalog Number*			Back Panel Size AxB
		White	304 SS	"G"	
N412161208CSSST	16.00x12.00x8.00 (406x305x203)	NP1612C	NP1612SSC	NP1612CG	14.2x10.2 (361x259)
N412161608CSSST	16.00x16.00x8.00 (406x406x203)	NP1616C	NP1616SSC	NP1616CG	14.2x14.2 (361x361)
N412201608CSSST	20.00x16.00x8.00 (508x406x203)	NP2016C	NP2016SSC	NP2016CG	18.2x14.2 (462x361)
N412201612CSSST	20.00x16.00x12.00 (508x406x305)	NP2016C	NP2016SSC	NP2016CG	18.2x14.2 (462x361)
N412202008CSSST	20.00x20.00x8.00 (508x508x203)	NP2020C	NP2020SSC	NP2020CG	18.2x18.2 (462x462)
N412202012CSSST	20.00x20.00x12.00 (508x508x305)	NP2020C	NP2020SSC	NP2020CG	18.2x18.2 (462x462)
N412242008CSSST	24.00x20.00x8.00 (610x508x203)	NP2420C	NP2420SSC	NP2420CG	22.2x18.2 (564x462)
N412242408CSSST	24.00x24.00x 8.00 (610x610x203)	NP2424C	NP2424SSC	NP2424CG	22.2x22.2 (564x564)
N412242412CSSST	24.00x24.00x12.00 (610x610x305)	NP2424C	NP2424SSC	NP2424CG	22.2x22.2 (564x564)
N412302408CSSST	30.00x24.00x 8.00 (762x610x203)	NP3024C	NP3024SSC	NP3024CG	28.2x22.2 (716x564)
N412302412CSSST	30.00x24.00x12.00 (762x610x305)	NP3024C	NP3024SSC	NP3024CG	28.2x22.2 (716x564)
N412303008CSSST	30.00x30.00x 8.00 (762x762x203)	NP3030C	NP3030SSC	NP3030CG	28.2x28.2 (716x716)
N412363008CSSST	36.00x30.00x 8.00 (914x762x203)	NP3630C	NP3630SSC	NP3630CG	34.2x28.2 (869x716)
N412363012CSSST	36.00x30.00x12.00 (914x762x305)	NP3630C	NP3630SSC	NP3630CG	34.2x28.2 (869x716)
N412363016CSSST	36.00x30.00x16.00 (914x762x406)	NP3630C	NP3630SSC	NP3630CG	34.2x28.2 (869x716)
N412363612CSSST	36.00x36.00x12.00 (914x914x305)	NP3636C	NP3636SSC	NP3636CG	34.2x34.2 (869x869)
N412483616CSSST	48.00x36.00x16.00 (1219x914x406)	NP4836C	NP4836SSC	NP4836CG	46.2x34.2 (1173x869)
N412603616CSSST	60.00x36.00x16.00 (1524x914x406)	NP6036C	NP6036SSC	NP6036CG	58.2x34.2 (1478x869)

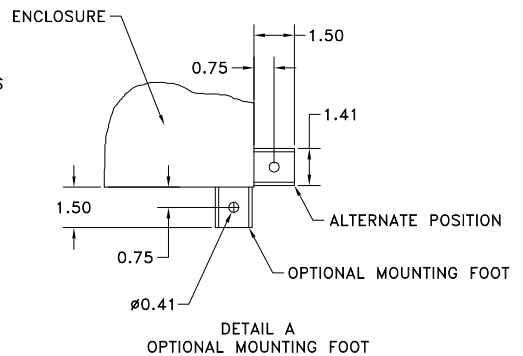
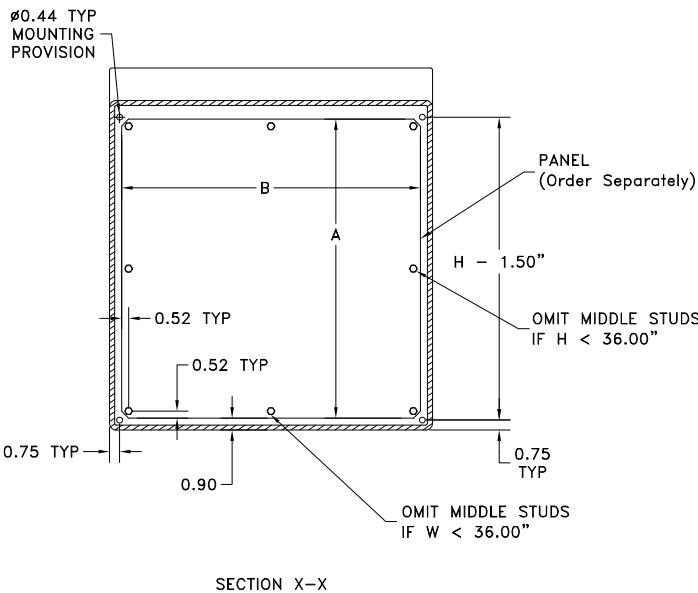
*Back panels must be ordered separately.

continued on page E30



Notes:

1. Enclosures that are 24"X24" or larger receive two 1/4 -turn latches. When H=40" or more a 3-point latch is provided.
2. Two hinges provided when H<36.00". Three hinges provided when H=36.00" or greater. Four hinges provided when H=48.00" or greater.



N412D - SSC ULTIMATE SERIES ENCLOSURES NEMA 4, 4X, 12 & 13 STAINLESS TWO DOOR



N412D243608SSC

Industry Standards

cULus, Type 3R, 4, 4X, 12 & 13
NEMA/EEMAC Type 3R, 4, 4X, 12 & 13
IEC 60529, IP66
Wall mounting kits required to maintain
UL/CSA external mounting requirements



UL Files E64791, E470978



CSA File LL66078

FEATURES-SPECIFICATIONS

Applications

The N412D SSC ULTIMATE Series Stainless Steel two door enclosure is designed to house and protect electrical and electronic components in harsh, dirty environments. For use in installations where dirt, dust, oil, water, or other contaminants are present.

Construction

- Bodies and doors are fabricated from 304 stainless steel
- Seams are continuously welded and ground smooth

- Increased tub opening for easier access
- Grounding provisions are provided
- Doors are sealed with a poured in place gasket
- Studs for mounting ULTIMATE Series back panels are provided

Finish

- Exterior surfaces of the enclosure have a smooth grained finish
- **Optional** back panels are painted with a white polyester powder

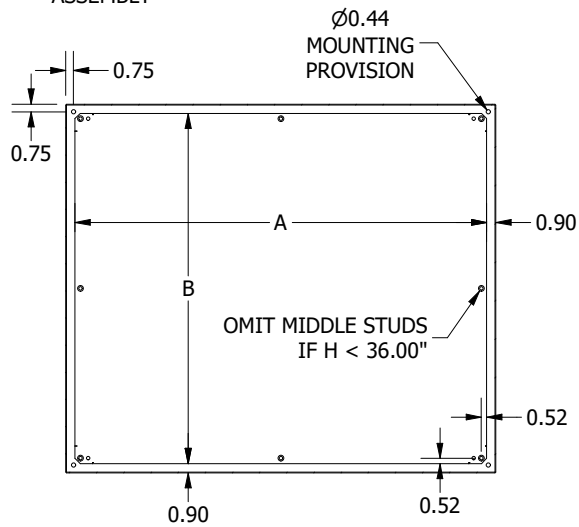
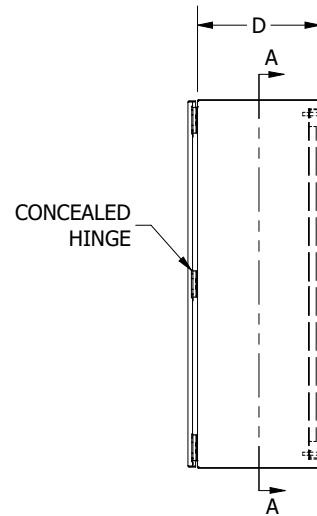
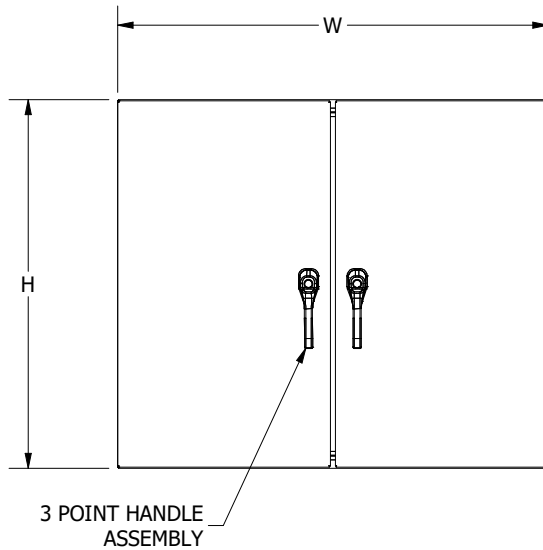
- **Optional** "G" panels are pre-galvanized steel (see page L8)
- **Optional** 304SS back panels are made of 304 stainless steel

Accessories

- Back panels (reference table)
- See pages L22-L24 for ULTIMATE Series Accessories
- **Optional** N412MFK mounting foot kit must be ordered separately

N412D SSC SERIES TWO DOOR 304 STAINLESS STEEL ENCLOSURES

Catalog Number	Enclosure Size HxWxD	Back Panel Catalog Number*			Back Panel Size AxB
		White	304 SS	"G"	
N412D243608SSC	24 x 36 x 08 (610x914x203)	NP3624C	NP3624SSC	NP3624CG	24 X 36 (564 x 869)
N412D244208SSC	24 x 42 x 08 (610x1067x203)	NP4224C	NP4224SSC	NP4224CG	24 X 42 (564 x 1021)
N412D244808SSC	24 x 48 x 08 (610x1219x203)	NP4824C	NP4824SSC	NP4824CG	24 X 48 (564 x 1173)
N412D304210SSC	30 x 42 x 10 (762x1064x254)	NP4230C	NP4230SSC	NP4230CG	30 X 42 (716 x 1021)
N412D304810SSC	30 x 48 x 10 (762x1219x254)	NP4830C	NP4830SSC	NP4830CG	30 X 48 (716 x 1173)
N412D306010SSC	30 x 60 x 10 (762x1524x254)	NP6030C	NP6030SSC	NP6030CG	30 X 60 (716 x 1478)
N412D364212SSC	36 x 42 x 12 (914x1067x305)	NP4236C	NP4236SSC	NP4236CG	36 X 42 (869 x 1021)
N412D364812SSC	36 x 48 x 12 (914x1219x305)	NP4836C	NP4836SSC	NP4836CG	36 X 48 (869 x 1173)
N412D366012SSC	36 x 60 x 12 (914x1524x305)	NP6036C	NP6036SSC	NP6036CG	36 X 60 (869 x 1478)
N412D424212SSC	42 x 42 x 12 (1067x1067x305)	NP4242C	NP4242SSC	NP4242CG	42 X 42 (1021 x 1021)
N412D424812SSC	42 x 48 x 12 (1067x1219x305)	NP4842C	NP4842SSC	NP4842CG	42 X 48 (1021 x 1173)
N412D426012SSC	42 x 60 x 12 (1067x1524x305)	NP6042C	NP6042SSC	NP6042CG	42 X 60 (1021 x 1478)
N412D484812SSC	48 x 48 x 12 (1219x1219x305)	NP4848C	NP4848SSC	NP4848CG	48 X 48 (1173 x 1173)



SECTION A-A

NOTES:
1. TWO HINGES PROVIDED WHEN H > 36.00". THREE HINGES PROVIDED WHEN H = 36.00" OR GREATER. FOUR HINGES PROVIDED WHEN H = 48.00" OR GREATER

SSN4 - WF3PT SERIES ENCLOSURES NEMA 4X STAINLESS STEEL WALL-MOUNT



SSN4244208WF3PT

Industry Standards

cULus, Type 3R, 4, 4X, & 12

NEMA/EEMAC Type 3R, 4, 4X, & 12



UL Files E64791



CSA File LL66078

FEATURES-SPECIFICATIONS

Applications

SSN4WF Series are intended for use in housing electrical and electronic controls, instruments, components, and associated wiring. These enclosures incorporate double-hinged double doors which provide convenient access. Designed for outdoor use in protecting components from dust, dirt, oil or water.

Construction

- Bodies and doors are fabricated from 304 stainless steel
- Seams are continuously welded and ground smooth

- Body stiffeners are added in larger enclosures for extra rigidity
- Rolled lip around all sides of the enclosure opening to exclude liquids and contaminants
- Two independent doors with removable center post
- 3-point 316L SS padlocking handles
- Doors are removable by pulling heavy gauge stainless steel continuous hinge pin
- Doors are sealed with a poured in place gasket

- Collar studs are provided for mounting **optional** back panels
- External mounting feet are provided
- Grounding provisions are provided

Finish

- Exterior surfaces of the enclosure have a smooth grained finish
- **Optional** back panels are painted with a white polyester powder
- **Optional** "G" panels are pre-galvanized steel

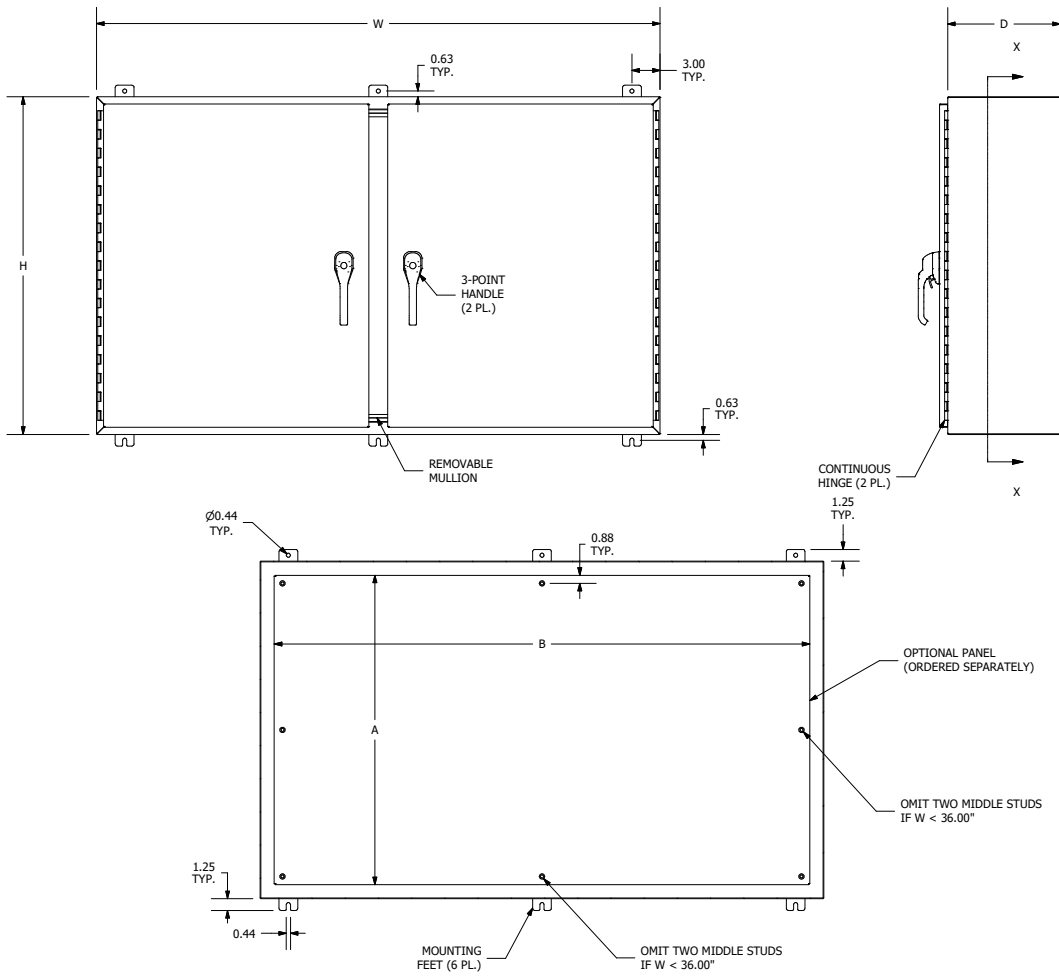
Accessories

- Back panels (reference table)
- See pages L1-L24.

SSN4-WF3PT SERIES NEMA 4X STAINLESS STEEL WALL-MOUNT ENCLOSURES

Catalog Number	Enclosure Size HxWxD	Back Panel Catalog Number*		Back Panel Size AxB	Stiffener Body
		White	"G"		
SSN4244208WF3PT	24.00x42.00x 8.00 (610x1067x203)	NP4224	NP4224G	21.00x39.00 (991x533)	No
SSN4244808WF3PT	24.00x48.00x 8.00 (610x1219x203)	NP4824	NP4824G	21.00x45.00 (533x1143)	No
SSN4304210WF3PT	30.00x42.00x10.00 (762x1067x254)	NP4230	NP4230G	27.00x39.00 (686x991)	No
SSN4304810WF3PT	30.00x48.00x10.00 (762x1219x254)	NP4830	NP4830G	27.00x45.00 (1143x686)	No
SSN4306010WF3PT	30.00x60.00x10.00 (762x1524x254)	NP6030	NP6030G	27.00x57.00 (686x1448)	No
SSN4364212WF3PT	36.00x42.00x12.00 (914x1067x305)	NP4236	NP4236G	33.00x39.00 (838x991)	No
SSN4364812WF3PT	36.00x48.00x12.00 (914x1219x305)	NP4836	NP4836G	33.00x45.00 (838x1143)	No
SSN4366012WF3PT	36.00x60.00x12.00 (914x1524x305)	NP6036	NP6036G	33.00x57.00 (838x1448)	No
SSN4424212WF3PT	42.00x42.00x12.00 (1067x1067x305)	NPDD4242	NPDD4242G	39.00x39.00 (991x991)	Yes
SSN4424812WF3PT	42.00x48.00x12.00 (1067x1219x305)	NPDD4842	NPDD4842G	39.00x45.00 (991x1143)	Yes
SSN4426012WF3PT	42.00x60.00x12.00 (1067x1524x305)	NPDD4260	NPDD4260G	38.00x56.00 (965x1422)	Yes
SSN4484812WF3PT	48.00x48.00x12.00 (1219x1219x305)	NPDD4848	NPDD4848G	44.00x44.00 (1118x1118)	Yes

*Back panels must be ordered separately.



SECTION X-X


SSN4 SERIES ENCLOSURES NEMA 4X SINGLE DOOR WALL-MOUNT




SSN4161206

Industry Standards

cULus, Type 3R, 4, 4X, 12 & 13
NEMA/EEMAC Type 3R, 4, 4X, 12 & 13
IEC 60529, IP66

 UL Files E64791, E470978

 CSA File LL66078

FEATURES-SPECIFICATIONS

Applications

Provides unmatched protection for housing electrical components in highly corrosive environments. This enclosure is used in indoor and outdoor settings that are frequently wet or have constant exposure to water, contaminants or other liquids.

Construction

- Bodies and doors fabricated from 304 or 316L stainless steel
- Seams are continuously welded and ground smooth
- Door and body stiffeners are added in larger enclosures for extra rigidity

- Rolled lip around three sides of the door and all sides of the enclosure opening to exclude liquids and contaminants
- Quick and easy to operate stainless steel door clamps are provided
- Hasp and staple are provided for padlocking
- Doors are sealed with a poured in place gasket
- Collar studs for mounting **optional** back panels are provided
- External mounting feet are provided
- Grounding provisions are provided

Finish

- Exterior surfaces of the enclosure have a smooth grained finish
- **Optional** back panels are painted with a white polyester powder
- **Optional** "G" panels are pre-galvanized steel
- **Optional** 304SS back panels are made of 304 stainless steel

Accessories

- Back panels (reference table)
- See pages L1-L24

SSN4 SERIES SINGLE DOOR WALL-MOUNT STAINLESS STEEL ENCLOSURES

Catalog Number		Enclosure Size HxWxD	Back Panel Catalog Number*			Back Panel Size AxB
304 SS	316L SS		White	304 SS	"G"	
SSN4161206	SSN4161206A	16.00x12.00x6.00 (406x305x152)	NP1612	NP1612SS	NP1612G	13.00x 9.00 (330x229)
SSN4161606	SSN4161606A	16.00x16.00x6.00 (406x406x152)	NP1616	NP1616SS	NP1616G	13.00x13.00 (330x330)
SSN4162006	SSN4162006A	16.00x20.00x6.00 (406x508x152)	NP2016	NP2016SS	NP2016G	13.00x17.00 (330x432)
SSN4201606	SSN4201606A	20.00x16.00x6.00 (508x406x152)	NP2016	NP2016SS	NP2016G	17.00x13.00 (432x330)
SSN4202006	SSN4202006A	20.00x20.00x6.00 (508x508x152)	NP2020	NP2020SS	NP2020G	17.00x17.00 (432x432)
SSN4242006	SSN4242006A	24.00x20.00x6.00 (610x508x152)	NP2420	NP2420SS	NP2420G	21.00x17.00 (533x432)
SSN4242406	SSN4242406A	24.00x24.00x6.00 (610x610x152)	NP2424	NP2424SS	NP2424G	21.00x21.00 (533x533)
SSN4161208	SSN4161208A	16.00x12.00x8.00 (406x305x203)	NP1612	NP1612SS	NP1612G	13.00x 9.00 (330x229)
SSN4201608	SSN4201608A	20.00x16.00x8.00 (508x406x203)	NP2016	NP2016SS	NP2016G	17.00x13.00 (432x330)
—	SSN4202008A	20.00x20.00x8.00 (508x508x203)	NP2020	NP2020SS	NP2020G	17.00x17.00 (432x432)
SSN4202408	SSN4202408A	20.00x24.00x8.00 (508x610x203)	NP2420	NP2420SS	NP2420G	17.00x21.00 (432x533)
SSN4241608	SSN4241608A	24.00x16.00x8.00 (610x406x203)	NP2416	NP2416SS	NP2416G	21.00x13.00 (533x330)
SSN4242008	SSN4242008A	24.00x20.00x8.00 (610x508x203)	NP2420	NP2420SS	NP2420G	21.00x17.00 (533x432)
SSN4242408	SSN4242408A	24.00x24.00x8.00 (610x610x203)	NP2424	NP2424SS	NP2424G	21.00x21.00 (533x533)
SSN4243008	SSN4243008A	24.00x30.00x8.00 (610x762x203)	NP3024	NP3024SS	NP3024G	21.00x27.00 (533x686)
SSN4302008	SSN4302008A	30.00x20.00x8.00 (762x508x203)	NP3020	NP3020SS	NP3020G	27.00x17.00 (686x432)

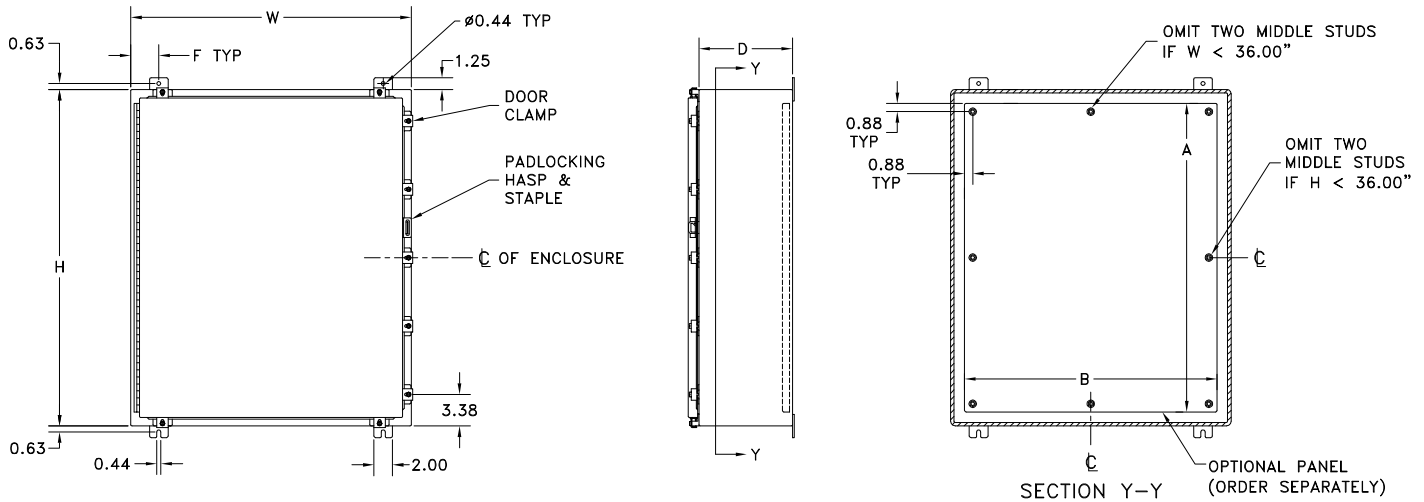
*Back panels must be ordered separately.

continued on page E35

SSN4 SERIES SINGLE DOOR WALL-MOUNT STAINLESS STEEL ENCLOSURES (CONT.)

Catalog Number		Enclosure Size HxWxD	Back Panel Catalog Number*			Back Panel Size AxB
304 SS	316L SS		White	304 SS	"G"	
SSN4302408	SSN4302408A	30.00x24.00x8.00 (762x610x203)	NP3024	NP3024SS	NP3024G	27.00x21.00 (686x533)
SSN4303008	SSN4303008A	30.00x30.00x8.00 (762x762x203)	NP3030	NP3030SS	NP3030G	27.00x27.00 (686x686)
SSN4362408	SSN4362408A	36.00x24.00x8.00 (914x610x203)	NP3624	NP3624SS	NP3624G	33.00x21.00 (838x533)
SSN4363008	SSN4363008A	36.00x30.00x8.00 (914x762x203)	NP3630	NP3630SS	NP3630G	33.00x27.00 (838x686)
SSN4423608	SSN4423608A	42.00x36.00x8.00 (1067x914x203)	NP4236	NP4236SS	NP4236G	39.00x33.00 (991x838)
SSN4483608	SSN4483608A	48.00x36.00x8.00 (1219x914x203)	NP4836	NP4836SS	NP4836G	45.00x33.00 (1143x838)
SSN4201610	SSN4201610A	20.00x16.00x10.00 (508x406x254)	NP2016	NP2016SS	NP2016G	17.00x13.00 (432x330)
SSN4242010	SSN4242010A	24.00x20.00x10.00 (610x508x254)	NP2420	NP2420SS	NP2420G	21.00x17.00 (533x432)
SSN4302410	SSN4302410A	30.00x24.00x10.00 (762x610x254)	NP3024	NP3024SS	NP3024G	27.00x21.00 (686x533)
SSN4362410	SSN4362410A	36.00x24.00x10.00 (914x610x254)	NP3624	NP3624SS	NP3624G	33.00x21.00 (838x533)
SSN4363010	SSN4363010A	36.00x30.00x10.00 (914x762x254)	NP3630	NP3630SS	NP3630G	33.00x27.00 (838x686)
SSN4423010	SSN4423010A	42.00x30.00x10.00 (1067x762x254)	NP4230	NP4230SS	NP4230G	39.00x27.00 (991x686)
SSN4483610	SSN4483610A	48.00x36.00x10.00 (1219x914x254)	NP4836	NP4836SS	NP4836G	45.00x33.00 (1143x838)
SSN4242412	SSN4242412A	24.00x24.00x12.00 (610x610x305)	NP2424	NP2424SS	NP2424G	21.00x21.00 (533x533)
SSN4302412	SSN4302412A	30.00x24.00x12.00 (762x610x305)	NP3024	NP3024SS	NP3024G	27.00x21.00 (686x533)
SSN4363012	SSN4363012A	36.00x30.00x12.00 (914x762x305)	NP3630	NP3630SS	NP3630G	33.00x27.00 (838x686)
SSN4363612	SSN4363612A	36.00x36.00x12.00 (914x914x305)	NP3636	NP3636SS	NP3636G	33.00x33.00 (838x838)
SSN4483612	SSN4483612A	48.00x36.00x12.00 (1219x914x305)	NP4836	NP4836SS	NP4836G	45.00x33.00 (1143x838)
SSN4603612	SSN4603612A	60.00x36.00x12.00 (1524x914x305)	NP6036	NP6036SS	NP6036G	57.00x33.00 (1448x838)
SSN4302416	SSN4302416A	30.00x24.00x16.00 (762x610x406)	NP3024	NP3024SS	NP3024G	27.00x21.00 (686x533)
SSN4363016	SSN4363016A	36.00x30.00x16.00 (914x762x406)	NP3630	NP3630SS	NP3630G	33.00x27.00 (838x686)
SSN4483616	SSN4483616A	48.00x36.00x16.00 (1219x914x406)	NP4836	NP4836SS	NP4836G	45.00x33.00 (1143x838)
SSN4603616	SSN4603616A	60.00x36.00x16.00 (1524x914x406)	NP6036	NP6036SS	NP6036G	57.00x33.00 (1448x838)

*Back panels must be ordered separately



NOTES:

1. Panels have flanges along all sides when either dimension exceeds 17".
2. The number of door clamps is dependent on size of enclosure. Clamps are furnished along three sides of door.
3. F = 3" when W is 16" or greater and 1-1/4" when W is 12" or less.


ALN4 SERIES ENCLOSURES NEMA 4X SINGLE DOOR WALL-MOUNT



ALN4161206

Industry Standards

cULus, Type 3R 4, 4X, 12 & 13
NEMA/EEMAC Type 4, 12 & 13
IEC 60529, IP66

 UL File E64791, E470978

 CSA File LL66078

FEATURES-SPECIFICATIONS

Applications

This lightweight enclosure provides long-lasting protection for housing electrical components in highly corrosive environments. It is used in both indoor and outdoor settings that are frequently wet or have constant exposure to water, contaminants or other liquids.

Construction

- Bodies and doors are fabricated from aluminum
- Seams are continuously welded and ground smooth

- Rolled lip on three sides of the door and all sides of the enclosure opening to exclude liquids and contaminants
- Quick and easy to operate stainless steel door clamps are provided
- Door is removable by pulling continuous hinge pin
- Hasp and staple are provided for padlocking
- Doors are sealed with a poured in place gasket
- Collar studs for mounting **optional** back panels are provided
- External mounting feet are provided

- Grounding provisions are provided

Finish

- Exterior surfaces of the enclosure have a smooth grained finish
- **Optional** back panels are unpainted aluminum
- **Optional** back panels are painted with a white polyester powder

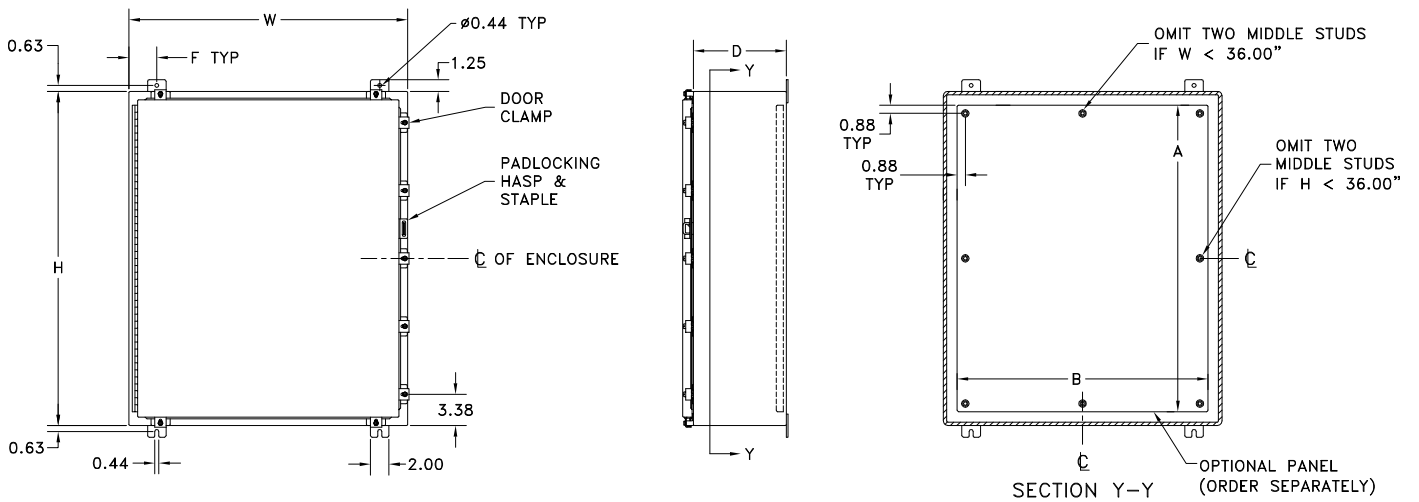
Accessories

- Back panels (reference table)
- See pages L1-L24

ALN4 SERIES SINGLE DOOR ALUMINUM ENCLOSURES

Catalog Number	Enclosure Size HxWxD	Back Panel Catalog Number*		Back Panel Size AxB	F
		White	Alum.		
ALN4161206	16.00x12.00x6.00 (406x305x152)	NP1612	ALNP1612	13.00x 9.00 (330x229)	1.25 (32)
ALN4201606	20.00x16.00x6.00 (508x406x152)	NP2016	ALNP2016	17.00x13.00 (432x330)	3.00 (76)
ALN4202006	20.00x20.00x6.00 (508x508x152)	NP2020	ALNP2020	17.00x17.00 (432x432)	3.00 (76)
ALN4242006	24.00x20.00x6.00 (610x508x152)	NP2420	ALNP2420	21.00x17.00 (533x432)	3.00 (76)
ALN4161608	16.00x16.00x8.00 (406x406x203)	NP1616	ALNP1616	13.00x13.00 (330x330)	3.00 (76)
ALN4242408	24.00x24.00x8.00 (610x610x203)	NP2424	ALNP2424	21.00x21.00 (533x533)	3.00 (76)
ALN4302408	30.00x24.00x8.00 (762x610x203)	NP3024	ALNP3024	27.00x21.00 (686x533)	3.00 (76)
ALN4362408	36.00x24.00x8.00 (914x610x203)	NP3624	ALNP3624	33.00x21.00 (838x533)	3.00 (76)
ALN4363008	36.00x30.00x8.00 (914x762x203)	NP3630	ALNP3630	33.00x27.00 (838x686)	3.00 (76)
ALN4483608	48.00x36.00x8.00 (1219x914x203)	NP4836	ALNP4836	45.00x33.00 (1143x838)	3.00 (76)
ALN4201610	20.00x16.00x10.00 (508x406x254)	NP2016	ALNP2016	17.00x13.00 (432x330)	3.00 (76)
ALN4242010	24.00x20.00x10.00 (610x508x254)	NP2420	ALNP2420	21.00x17.00 (533x432)	3.00 (76)
ALN4242410	24.00x24.00x10.00 (610x610x254)	NP2424	ALNP2424	21.00x21.00 (533x533)	3.00 (76)
ALN4302412	30.00x24.00x12.00 (762x610x305)	NP3024	ALNP3024	27.00x21.00 (686x533)	3.00 (76)
ALN4363012	36.00x30.00x12.00 (914x762x305)	NP3630	ALNP3630	33.00x27.00 (838x686)	3.00 (76)
ALN4603612	60.00x36.00x12.00 (1524x914x305)	NP6036	ALNP6036	57.00x33.00 (1448x838)	3.00 (76)

*Back panels must be ordered separately.



NOTES:

1. Panels have flanges along all sides when either dimension exceeds 17".
2. The number of door clamps is dependent on size of enclosure. Clamps are furnished along three sides of door.
3. $F = 3$ " when W is 16" or greater and 1-1/4" when W is 12" or less.

SSN4 - 3PT SERIES ENCLOSURES NEMA 4X 304 & 316L SS SINGLE DOOR WALL-MOUNT



SSN42420063PT

Industry Standards

cULus, Type 3R, 4, 4X, 12
NEMA/EEMAC Type 3R, 4, 12



FEATURES-SPECIFICATIONS

Applications

Provides unmatched protection for housing electrical components in highly corrosive environments. This enclosure is used in indoor and outdoor settings that are frequently wet or have constant exposure to water, contaminants or other liquids.

Construction

- Bodies and doors are fabricated from 304 or 316L stainless steel
- Seams are continuously welded and ground smooth
- Rolled lip around three sides of the door and all sides of the enclosure opening to exclude liquids and contaminants

- Doors are sealed with a poured in place gasket
- Collar studs for mounting **Optional** back panels are provided
- 3-point 316L SS padlocking handle
- External mounting feet are provided
- Grounding provisions are provided

Finish

- Exterior surfaces of the enclosure have a smooth grained finish
- **Optional** back panels are painted with a white polyester powder
- **Optional** "G" panels are pre-galvanized steel
- **Optional** 304SS back panels are made of 304 stainless steel

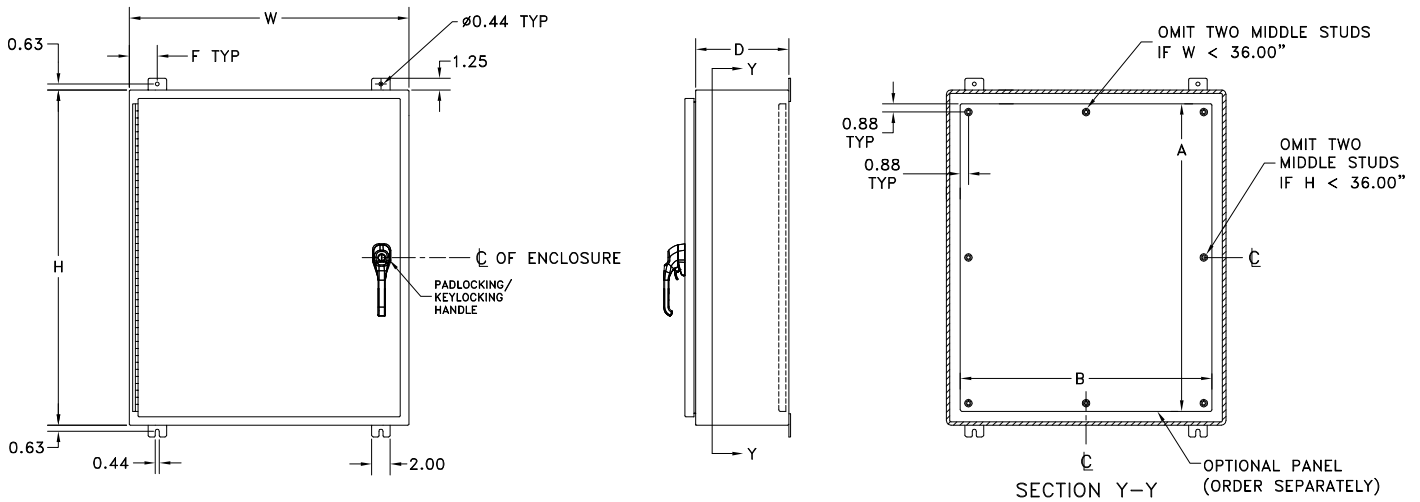
Accessories

- Back panels (reference table)
- See pages L1-L24

SSN4-3PT SERIES SINGLE DOOR STAINLESS STEEL ENCLOSURES

Catalog Number		Enclosure Size HxWxD	Back Panel Catalog Number*			Back Panel Size AxB
304 SS	316L SS		White	304 SS	"G"	
SSN42420063PT	—	24.00x20.00x 6.00 (610x508x152)	NP2420	NP2420SS	NP2420G	21.00x17.00 (533x432)
SSN42420083PT	SSN42420083PTA	24.00x20.00x 8.00 (610x508x203)	NP2420	NP2420SS	NP2420G	21.00x17.00 (533x432)
SSN42420103PT	SSN42420103PTA	24.00x20.00x10.00 (610x610x254)	NP2420	NP2420SS	NP2420G	21.00x17.00 (533x432)
SSN42424083PT	SSN42424083PTA	24.00x24.00x 8.00 (610x610x203)	NP2424	NP2424SS	NP2424G	21.00x21.00 (533x533)
SSN42424123PT	SSN42424123PTA	24.00x24.00x12.00 (610x610x305)	NP2424	NP2424SS	NP2424G	21.00x21.00 (533x533)
SSN43024083PT	SSN43024083PTA	30.00x24.00x 8.00 (762x610x203)	NP3024	NP3024SS	NP3024G	27.00x21.00 (686x533)
SSN43024123PT	SSN43024123PTA	30.00x24.00x12.00 (762x610x305)	NP3024	NP3024SS	NP3024G	27.00x21.00 (686x533)
SSN43030083PT	SSN43030083PTA	30.00x30.00x 8.00 (762x762x203)	NP3030	NP3030SS	NP3030G	27.00x27.00 (686x686)
SSN43624083PT	SSN43624083PTA	36.00x24.00x 8.00 (914x610x203)	NP3624	NP3624SS	NP3624G	33.00x21.00 (838x533)
SSN43630083PT	SSN43630083PTA	36.00x30.00x 8.00 (914x762x203)	NP3630	NP3630SS	NP3630G	33.00x27.00 (838x686)
SSN43630103PT	SSN43630103PTA	36.00x30.00x10.00 (914x762x254)	NP3630	NP3630SS	NP3630G	33.00x27.00 (838x686)
SSN43630123PT	SSN43630123PTA	36.00x30.00x12.00 (914x762x305)	NP3630	NP3630SS	NP3630G	33.00x27.00 (838x686)
SSN43636123PT	SSN43636123PTA	36.00x36.00x12.00 (914x914x305)	NP3636	NP3636SS	NP3636G	33.00x33.00 (838x838)

*Back panels must be ordered separately.



NOTES:

1. Panels have flanges along all sides when either dimension exceeds 17".
2. F = 3" when W is 16" or greater and 1-1/4" when W is 12" or less.

SSN4 - 3PTW SERIES ENCLOSURES (PAINTED WHITE) NEMA 4X SINGLE DOOR WALL-MOUNT



SSN43024083PTW

Industry Standards

cULus, Type 3R, 4, 4X, 12
NEMA/EEMAC Type 3R, 4, 12

 UL File E64791

 CSA File LL66078

FEATURES-SPECIFICATIONS

Applications

SSN43PTW Series provides unmatched protection for housing electrical components in highly corrosive environments. This enclosure is used in indoor and outdoor settings that are frequently wet or have constant exposure to water, contaminants or other liquids

Construction

- Bodies and doors are fabricated from 304 stainless steel.
- Seams are continuously welded and ground smooth

- Rolled lip around three sides of the door and all sides of the enclosure opening to exclude liquids and contaminants
- Quick and easy to operate 3-point padlocking handle
- Door is removable by pulling stainless steel continuous hinge pin
- Doors are sealed with a poured in place gasket
- Collar studs for mounting **optional** back panels are provided
- External mounting feet are provided
- Grounding provisions are provided

Finish

- White polyester powder inside and out
- **Optional** back panels are painted with a white polyester powder
- **Optional** "G" panels are pre-galvanized steel
- **Optional** 304SS back panels are made of 304 stainless steel

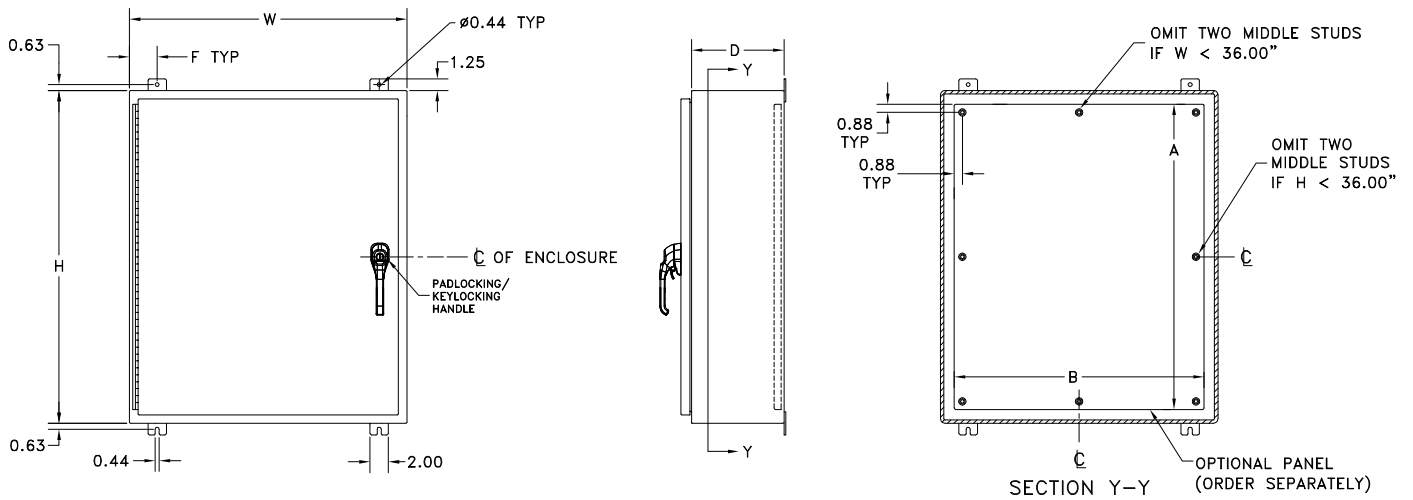
Accessories

- Back panels (reference table)
- See pages L1-L24

SSN4-3PTW SERIES WHITE SINGLE DOOR N4X ENCLOSURES

Catalog Number	Enclosure Size HxWxD	Back Panel Catalog Number*			Back Panel Size AxB
		White	304 SS	"G"	
SSN42424083PTW	24.00x24.00x8.00 (610x610x203)	NP2424	NP2424SS	NP2424G	21.00x21.00 (533x533)
SSN42424123PTW	24.00x24.00x12.00 (610x610x305)	NP2424	NP2424SS	NP2424G	21.00x21.00 (533x533)
SSN43024083PTW	30.00x24.00x8.00 (762x610x203)	NP3024	NP3024SS	NP3024G	27.00x21.00 (686x533)
SSN43630123PTW	36.00x30.00x12.00 (914x762x305)	NP3630	NP3630SS	NP3630G	33.00x27.00 (838x686)
SSN43636123PTW	36.00x36.00x12.00 (914x914x305)	NP3636	NP3636SS	NP3636G	33.00x33.00 (838x838)
SSN44236123PTW	42.00x36.00x12.00 (1067x914x305)	NP4236	NP4236SS	NP4236G	33.00x33.00 (838x838)
SSN44836123PTW	48.00x36.00x12.00 (1219x914x305)	NP4836	NP4836SS	NP4836G	39.00x33.00 (991x838)
SSN44836163PTW	48.00x36.00x16.00 (1219x914x406)	NP4836	NP4836SS	NP4836G	39.00x33.00 (991x838)
SSN46036123PTW	60.00x36.00x12.00 (1524x914x305)	NP6036	NP6036SS	NP6036G	57.00x33.00 (1448x838)

*Back panels must be ordered separately.



NOTES:

1. Panels have flanges along all sides when either dimension exceeds 17".
2. F = 3" when W is 16" or greater and 1-1/4" when W is 12" or less.

SSN4D SERIES ENCLOSURES NEMA 4X TWO DOOR FLOOR-MOUNT



SSN4D624812

Industry Standards

cULus, Type 3R, 4, 4X, 12 & 13
NEMA/EEMAC Type 3R, 4, 4X, 12 & 13

 UL File E64791,

 CSA File LL66078

FEATURES-SPECIFICATIONS

Applications

This two door enclosure provides industry leading protection for systems incorporating large components or complex mounting configurations in highly corrosive environments. It is typically used in the following areas: food processing plants, pharmaceutical manufacturing facilities, petrochemical plants, pulp and paper processing, and waste water treatment facilities.

Construction

- Bodies and doors are fabricated from 304 stainless steel
- Seams are continuously welded and ground smooth
- Body stiffeners are added for extra rigidity

- Rolled lip around three sides of the door and along the top of the enclosure opening to exclude liquids and contaminants
- Quick and easy to operate stainless steel door clamps around three sides of the doors are provided
- Heavy gauge stainless steel continuous hinges are provided
- Doors are removable by pulling stainless steel continuous hinge pin
- Hasp and staple are provided for padlocking
- Standard 12" high floor kits are welded to the bottom of the enclosure
- Heavy-duty removable lifting eyes
- Collar studs for mounting **optional** back panels are provided

- Removable center post permits easy panel installations
- Doors are sealed with a poured in place gasket
- Grounding provisions are provided

Finish

- Exterior surfaces of the enclosure have a smooth grained surface
- **Optional** back panels are painted with a white polyester powder
- **Optional** "G" panels are pre-galvanized steel

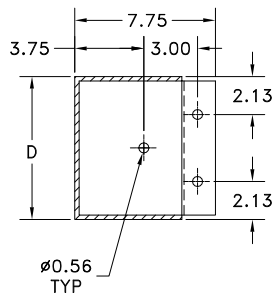
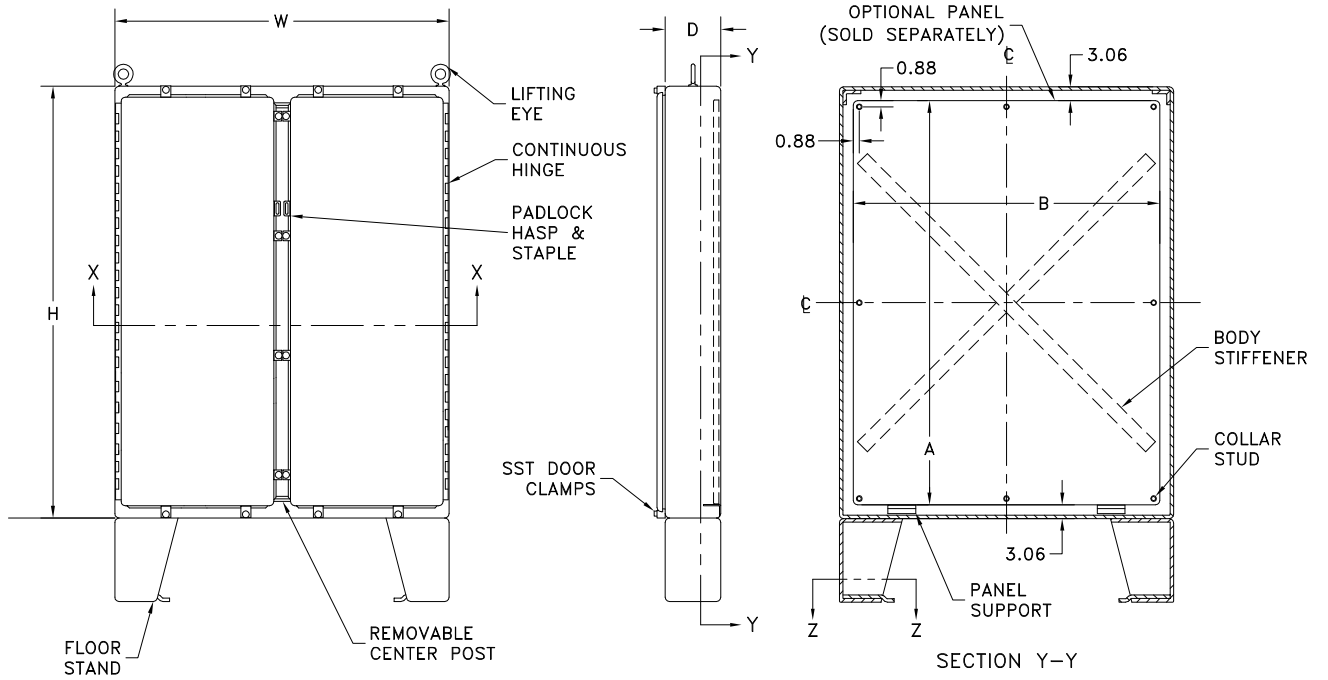
Accessories

- Back panels (reference table)
- See pages L1-L24

SSN4D SERIES TWO DOOR STAINLESS STEEL ENCLOSURES

Catalog Number	Enclosure Size HxWxD	Back Panel Catalog Number*		Back Panel Size AxB
		White	"G"	
SSN4D624812	62.12x48.12x12.12 (1578x1222x308)	NPDD6048	NPDD6048G	56.00x44.00 (1422x1118)
SSN4D626012	62.12x60.12x12.12 (1578x1527x308)	NPDD6060	NPDD6060G	56.00x56.00 (1422x1422)
SSN4D746012	74.12x60.12x12.12 (1883x1527x308)	NPDD7260	NPDD7260G	68.00x56.00 (1727x1422)
SSN4D747212	74.12x72.12x12.12 (1883x1832x308)	NPDD7272	NPDD7272G	68.00x68.00 (1727x1727)
SSN4D747224	74.12x72.12x24.12 (1883x1832x613)	NPDD7272	NPDD7272G	68.00x68.00 (1727x1727)

*Back panels must be ordered separately.




Industry Standards

cULus, Type 4, 4X & 12

NEMA/EEMAC Type 4, 4X & 12

 UL File E64791

 CSA File LL66078

FEATURES-SPECIFICATIONS
Applications

Designed to house electronic controls, terminals, and instruments in areas that are regularly hosed down or are otherwise very wet. Also suitable for outdoor applications.

Construction

- Bodies and doors are fabricated from 304 or 316L stainless steel
- Seams are continuously welded and ground smooth
- Mounting channels are welded horizontally to interior body. **Optional** swing panels and rack angles can be mounted anywhere along the mounting channel

- Rolled lip around three sides of the door and along the top of the enclosure opening to exclude liquids and contaminants
- Quick and easy to operate stainless steel door clamps around three sides of the door
- Heavy gauge continuous hinge with stainless steel hinge pin
- Door is removable by pulling stainless steel continuous hinge pin
- Hasp and staple are provided for padlocking
- Heavy-duty removable lifting eyes
- Doors are sealed with a poured in place gasket
- Grounding provisions are provided

Finish

- Exterior surfaces of the enclosure have a smooth grained finish
- **Optional** back panels are painted with a white polyester powder

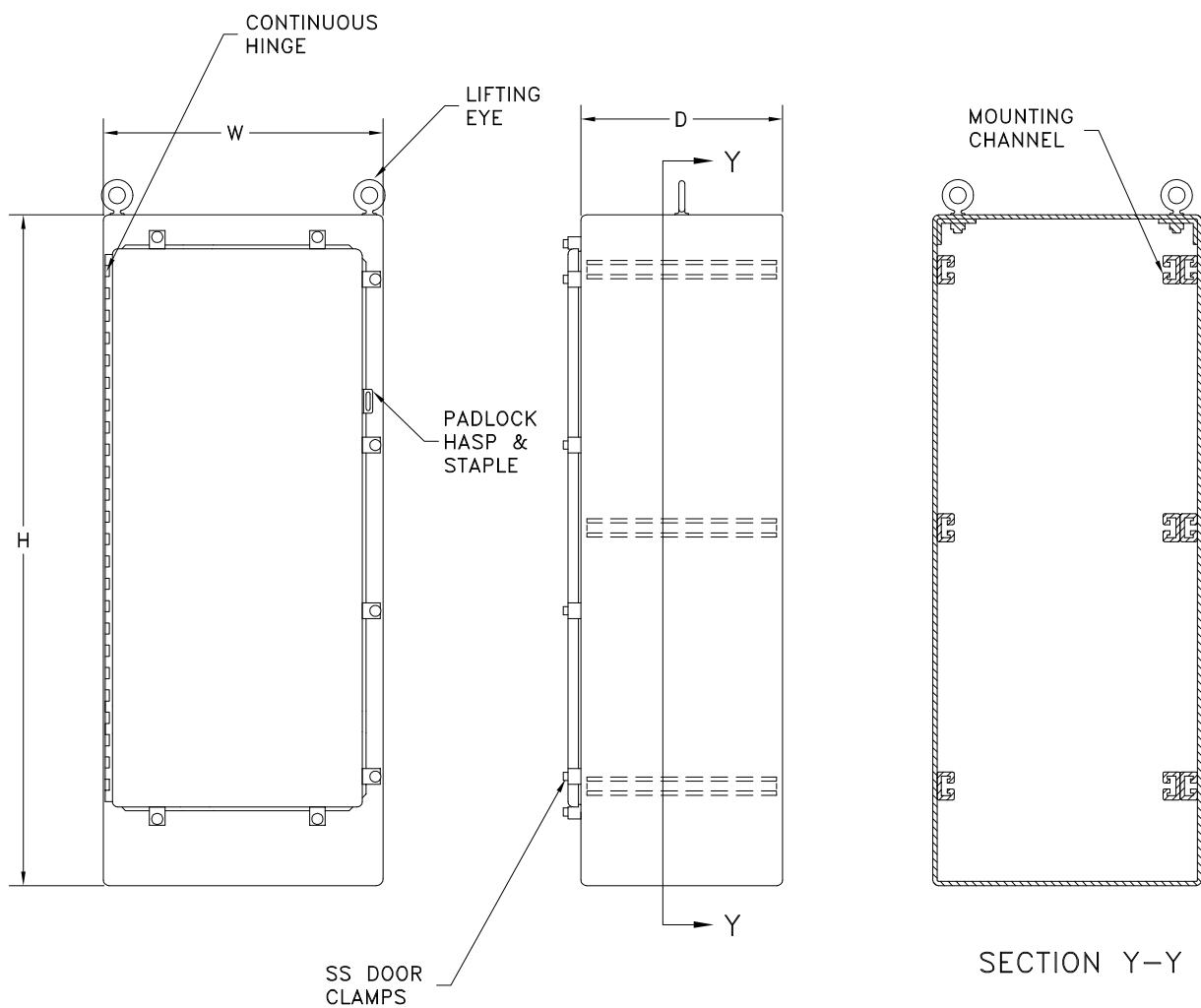
Accessories

- Back panels (reference table)
- See pages L1-L24

N4S-FSSS SERIES SINGLE DOOR ENCLOSURES

Catalog Number		Enclosure Size HxWxD	Back Panel Catalog Number*	Back Panel Size
304 SS	316L SS			
N4S722518FSSS	N4S722518FSSSA	72.12x25.12x18.12 (1832x638x460)	WA72P24F1	60.00x20.00 (1524x508)
N4S723124FSSS	N4S723124FSSSA	72.12x31.12x24.12 (1832x790x613)	WA72P30F1	60.00x26.00 (1524x660)
N4S723724FSSS	N4S723724FSSSA	72.12x37.12x24.12 (1832x943x613)	WA72P36F1	60.00x32.00 (1524x812)

*Back panels must be ordered separately.



SSN4D - 3PT SERIES ENCLOSURES NEMA 4X 304/316L STAINLESS STEEL TWO DOOR FLOOR-MOUNT



SSN4D6248123PTA

Industry Standards

cULus, Type 3R, 4, 4X, 12

NEMA/EEMAC Type 3R, 4, 4X, 12

 UL Files E64791

 CSA File LL66078

FEATURES-SPECIFICATIONS

Applications

Designed to house electrical and electronic controls, components and instruments in wet corrosive environments. Typical applications for these enclosures include, breweries, waste water, food processing and /or activities that may require hose down. Enclosures are designed for outdoor applications.

Construction

- Bodies, doors and floor stand feet are fabricated from 304 or 316L stainless steel
- Seams are continuously welded and ground smooth
- Body stiffeners added for extra rigidity
- Rolled lip along the top of the enclosure opening to exclude liquids and contaminants

- 3-point 316L SS padlocking handles
- Heavy gauge continuous hinges are provided to secure doors
- Doors are removable by pulling stainless steel continuous hinge pin
- Standard 12" high floor kits are welded to the bottom of the enclosure
- Heavy-duty removable lifting eyes
- Collar studs for mounting **optional** back panels are provided
- Removable center post permits easy panel installations
- Doors are sealed with a poured in place gasket
- Grounding provisions are provided

Finish

- Exterior surfaces of the enclosure have a smooth grained finish
- **Optional** back panels are painted with a white polyester powder
- **Optional** "G" panels are pre-galvanized steel

Accessories

- Back panels (reference table)
- See pages L1-L24

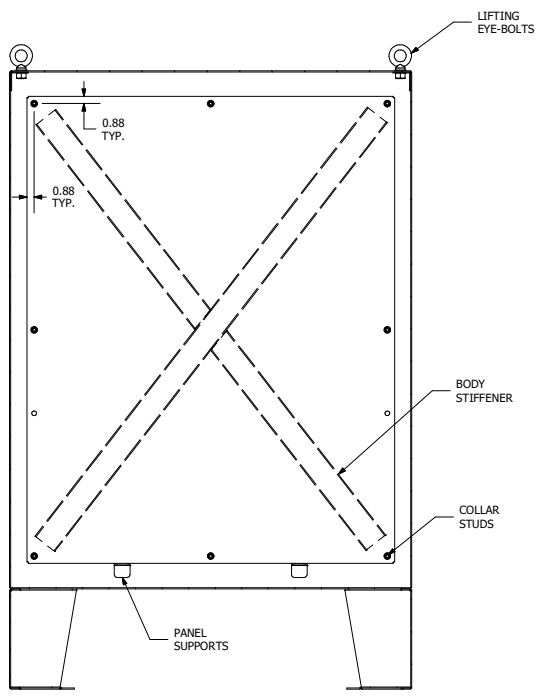
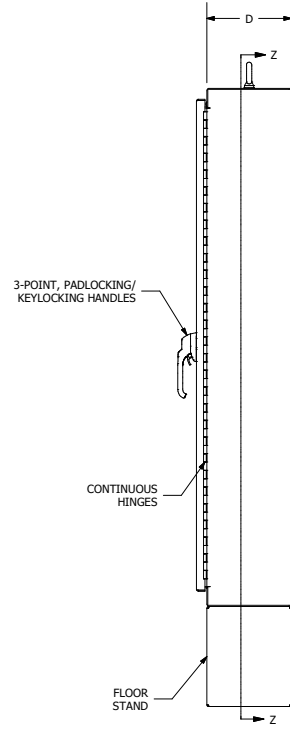
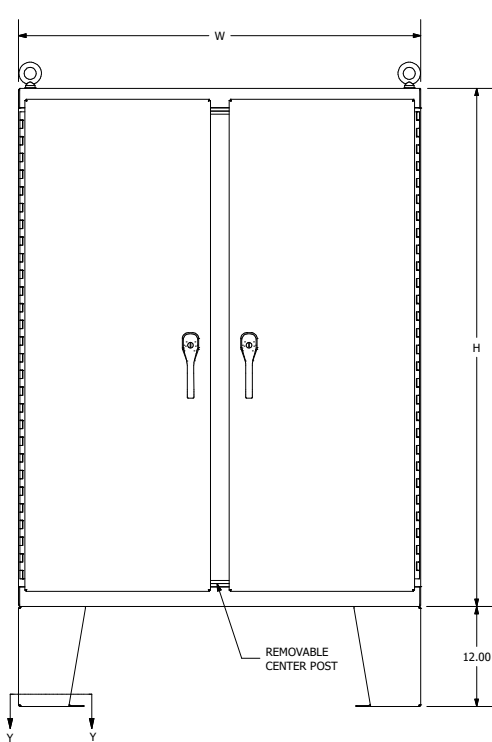
SSN4D-3PT SERIES TWO DOOR STAINLESS STEEL ENCLOSURES

Catalog Number		Enclosure Size HxWxD	Back Panel Catalog Number*		Back Panel Size AxB
304 SS	316L SS		White	"G"	
SSN4D6248123PT	SSN4D6248123PTA	62.06x48.06x12.06 (1576x1221x306)	NPDD6048	NPDD6048G	56.00x44.00 (1422x1118)
SSN4D6248183PT	SSN4D6248183PTA	62.06x48.06x18.06 (1576x1221x459)	NPDD6048	NPDD6048G	56.00x44.00 (1422x1118)
SSN4D6260123PT	SSN4D6260123PTA	62.06x60.06x12.06 (1576x1526x306)	NPDD6060	NPDD6060G	56.00x56.00 (1422x1422)
SSN4D7460123PT	SSN4D7460123PTA	74.06x60.06x12.06 (1881x1526x306)	NPDD7260	NPDD7260G	68.00x56.00 (1422x1422)
SSN4D7472123PT	SSN4D7472123PTA	74.06x72.06x12.06 (1881x1830x306)	NPDD7272	NPDD7272G	68.00x68.00 (1727x1727)
SSN4D7472243PT	SSN4D7472243PTA	74.06x72.06x24.06 (1881x1830x611)	NPDD7272	NPDD7272G	68.00x68.00 (1727x1727)

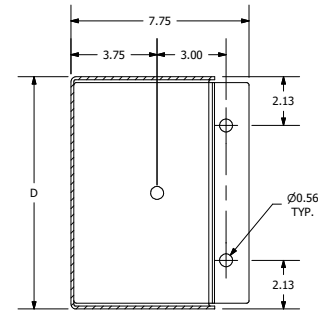
*Back panels must be ordered separately.

SSN4D - 3PT SERIES ENCLOSURES
NEMA 4X 304/316L STAINLESS STEEL TWO DOOR FLOOR-MOUNT

E47



SECTION Z-Z



SECTION Y-Y

WA - SSFSN43PT SERIES ENCLOSURES NEMA 4X 304 STAINLESS STEEL FREESTANDING SINGLE DOOR



WA602418SSFSN43PT

Industry Standards

cULus, Type 4, 4X & 12
NEMA/EEMAC Type 4, 4X & 12

 UL File E64791

 CSA File LL66078

FEATURES-SPECIFICATIONS

Applications

Designed to house electrical and electronic controls, terminals, and instruments in areas that are regularly hosed down or are otherwise very wet. Enclosures are also suitable for outdoor applications.

Construction

- Bodies and doors are fabricated from 304 stainless steel
- Seams are continuously welded and ground smooth
- Mounting channels are welded horizontally to interior body.

Optional swing panels and rack angles can be mounted anywhere along the mounting channel

- Rolled lip along the top of the enclosure opening to exclude liquids and contaminants
- 3-point 316L SS padlocking handle
- Heavy gauge continuous hinge
- Doors are removable by pulling stainless steel continuous hinge pin
- Heavy-duty removable lifting eyes
- Doors are sealed with a poured in place gasket
- Grounding provisions are provided

Finish

- Exterior surfaces of the enclosure have a smooth grained finish
- **Optional** back panels are painted with a white polyester powder
- **Optional** "G" panels are pre-galvanized steel

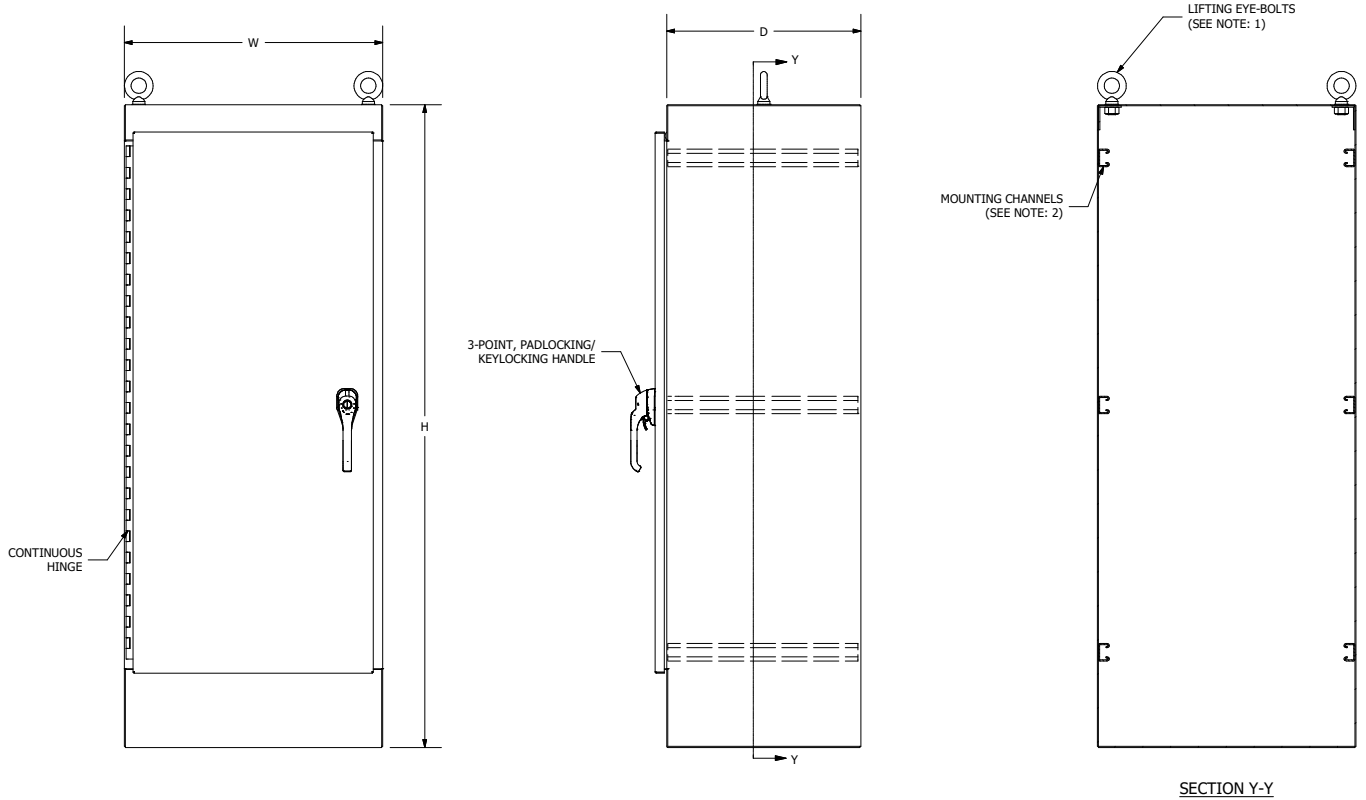
Accessories

- Back panels (reference table)
- See pages L1-L24

WA-SSFSN43PT SERIES SINGLE DOOR STAINLESS STEEL ENCLOSURES

Catalog Number	Enclosure Size HxWxD	Back Panel Catalog Number*		Back Panel Size AxB
		White	"G"	
WA602418SSFSN43PT	60.12x24.12x18.12 (1526x611x459)	WA60P24F1	WA60P24F1G	48.00X20.00 (1219x508)
WA603624SSFSN43PT	60.06x36.06x24.06 (1526x916x611)	WA60P36F1	WA60P36F1G	48.00X32.00 (1219x813)
WA722418SSFSN43PT	72.06x24.06x18.06 (1830x611x459)	WA72P24F1	WA72P24F1G	60.00X20.00 (1524x508)
WA722424SSFSN43PT	72.06x24.06x24.06 (1830x611x611)	WA72P24F1	WA72P24F1G	60.00X20.00 (1524x508)
WA723018SSFSN43PT	72.06x30.06x18.06 (1830x764x459)	WA72P30F1	WA72P30F1G	60.00X26.00 (1524x660)
WA723024SSFSN43PT	72.06x30.06x24.06 (1830x764x611)	WA72P30F1	WA72P30F1G	60.00X26.00 (1524x660)
WA723618SSFSN43PT	72.06x36.06x18.06 (1830x916x459)	WA72P36F1	WA72P36F1G	60.00X32.00 (1524x813)
WA723624SSFSN43PT	72.06x36.06x24.06 (1830x916x611)	WA72P36F1	WA72P36F1G	60.00X32.00 (1524x813)
WA723630SSFSN43PT	72.06x36.06x30.06 (1830x916x764)	WA72P36F1	WA72P36F1G	60.00X32.00 (1524x813)
WA723636SSFSN43PT	72.06x36.06x36.06 (1830x916x916)	WA72P36F1	WA72P36F1G	60.00X32.00 (1524x813)
WA902420SSFSN43PT	90.06x24.06x20.06 (2288x611x510)	WA90P24F1	WA90P24F1G	78.00x20.00 (1981x508)
WA903620SSFSN43PT	90.06x36.06x20.06 (2288x916x510)	WA90P36F1	WA90P36F1G	78.00x32.00 (1981x813)
WA903624SSFSN43PT	90.06x36.06x24.06 (2288x916x611)	WA90P36F1	WA90P36F1G	78.00x32.00 (1981x813)
WA903636SSFSN43PT	90.06x36.06x36.06 (2288x916x916)	WA90P36F1	WA90P36F1G	78.00x32.00 (1981x813)

*Back panels must be ordered separately.



- NOTES:
1. FOUR LIFTING EYE-BOLTS ARE SUPPLIED WHEN "D" IS 30.00" OR GREATER.
2. OPTIONAL PANEL(S) CAN BE MOUNTED ANYWHERE ALONG MOUNTING CHANNELS.

WA - SSFSDN43PT SERIES ENCLOSURES NEMA 4X 304 STAINLESS STEEL FREESTANDING TWO DOOR




WA604818SSFSDN43PT

Industry Standards

cULus, Type 4, 4X, 12
NEMA/EEMAC Type 4, 4X, 12

 UL File E64791

 CSA File LL66078

FEATURES-SPECIFICATIONS

Applications

Designed to house electrical and electronic controls, terminals, and instruments in areas that are regularly hosed down or are otherwise very wet. Enclosures are also suitable for outdoor applications.

Construction

- Body and doors are fabricated from 304 stainless steel
- Seams are continuously welded and ground smooth
- Mounting channels are welded horizontally to interior body. **Optional** swing panels and rack angles can

be mounted anywhere along the mounting channel

- Rolled lip along the top of the enclosure opening to exclude liquids and contaminants
- 3-point 316L SS padlocking handles
- Heavy gauge continuous hinge
- Doors are removable by pulling stainless steel continuous hinge pin
- Heavy-duty removable lifting eyes
- Doors are sealed with a poured in place gasket
- Grounding provisions are provided

Finish

- Exterior surfaces of the enclosure have a smooth grained finish
- **Optional** back panels are painted with a white polyester powder
- **Optional** "G" panels are pre-galvanized steel

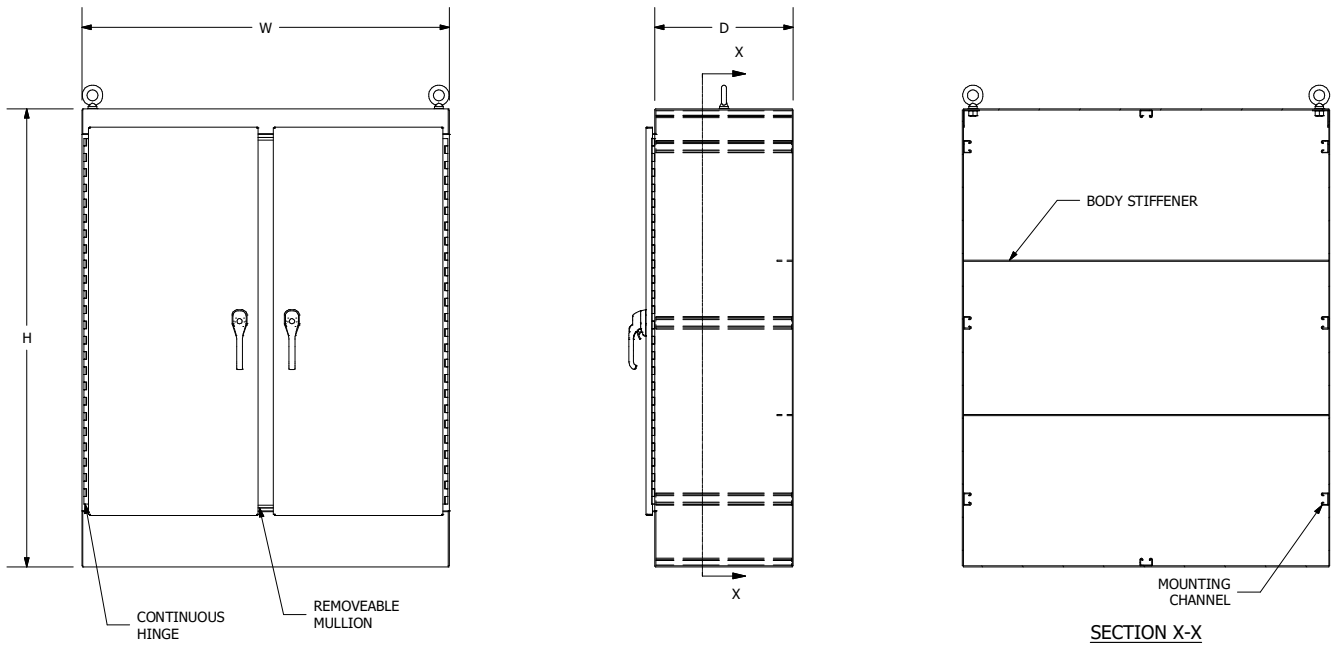
Accessories

- Back panels (reference table)
- See pages L1-L24

WA-SSFSDN43PT SERIES TWO DOOR STAINLESS STEEL ENCLOSURES

Catalog Number 304 SS	Enclosure Size HxWxD + 1/8	Back Panel Catalog Number*		Back Panel Size AxB
		White	"G"	
WA604818SSFSDN43PT	60.06x48.06x18.06 (1526x1221x459)	WA60P48F1	WA60P48F1G	48.00x44.00 (1422x1118)
WA724818SSFSDN43PT	72.06x48.06x18.06 (1830x1221x459)	WA72P48F1	WA72P48F1G	60.00x44.00 (1727x1118)
WA724824SSFSDN43PT	72.06x48.06x24.06 (1830x1221x611)	WA72P48F1	WA72P48F1G	60.00x44.00 (1727x1118)
WA726018SSFSDN43PT	72.06x60.06x18.06 (1830x1526x459)	WA72P60F1	WA72P60F1G	60.00x56.00 (1727x1422)
WA726024SSFSDN43PT	72.06x60.06x24.06 (1830x1526x611)	WA72P60F1	WA72P60F1G	60.00x56.00 (1727x1422)
WA726036SSFSDN43PT	72.06x60.06x36.06 (1830x1526x916)	WA72P60F1	WA72P60F1G	60.00x56.00 (1727x1422)
WA727218SSFSDN43PT	72.06x72.06x18.06 (1830x1830x459)	WA72P72F1	WA72P72F1G	60.00x68.00 (1727x1727)
WA727224SSFSDN43PT	72.06x72.06x24.06 (1830x1830x611)	WA72P72F1	WA72P72F1G	60.00x68.00 (1727x1727)
WA904820SSFSDN43PT	90.06x48.06x20.06 (2288x1221x510)	WA90P48F1	WA90P48F1G	78.00x44.00 (2184x1118)
WA907220SSFSDN43PT	90.06x72.06x20.06 (2288x1830x510)	WA90P72F1	WA90P72F1G	78.00x68.00 (2184x1727)
WA907224SSFSDN43PT	90.06x72.06x24.06 (2288x1830x611)	WA90P72F1	WA90P72F1G	78.00x68.00 (2184x1727)
WA907236SSFSDN43PT	90.06x72.06x36.06 (2288x1830x916)	WA90P72F1	WA90P72F1G	78.00x68.00 (2184x1727)

*Back panels must be ordered separately.



NOTES:

1. FOUR LIFTING EYE-BOLTS ARE SUPPLIED WHEN "D" IS 30.00" OR GREATER.
2. OPTIONAL PANEL(S) CAN BE MOUNTED ANYWHERE ALONG MOUNTING CHANNELS.

WA - FSSS & WA - FSDSS SERIES ENCLOSURES NEMA 12 STAINLESS STEEL FREESTANDING



WA604818FSDSS

Industry Standards

cULus, Type 12

NEMA/EEMAC Type 12

 UL Files E64791

 CSA File LL66078

FEATURES-SPECIFICATIONS

Applications

Designed to protect electrical and electronic controls, components, and instruments in typical industrial environments from dust, dirt, oil, and dripping water. These enclosures are used in machine tool applications for housing motor starters, drives, contactors, PLC's, as well as a wide variety of other electrical and electronic equipment. The addition of 19-inch rack mounting accessories make these enclosures ideal for providing rugged protection for sensitive rack mounted components in harsh industrial environments. Two styles are available to provide maximum flexibility:

a) Single Door Single Access
(single door on front)

b) Two Door Single Access
(two doors on front)

Construction

- Bodies and doors are fabricated from 304 stainless steel
- Seams are continuously welded and ground smooth
- Body stiffeners are added for extra rigidity
- Heavy-duty lifting eyes for easy handling
- Heavy gauge continuous hinges
- 3-point 316L SS padlocking handle
- Mounting channels are welded horizontally to interior body. **Optional** swing panels and rack angles can be

mounted anywhere along the mounting channel

- Doors are sealed with a poured in place gasket
- Grounding provisions are provided

Finish

- Exterior surfaces of the enclosure have a smooth grained finish
- **Optional** back panels are painted with a white polyester powder
- **Optional** "G" panels are pre-galvanized steel

Accessories

- Back panels (reference table)
- See pages L1-L24

WA-FSSS SERIES SINGLE DOOR FREESTANDING ENCLOSURES

Catalog Number	Enclosure Size HxWxD	Back Panel Catalog Number*		Back Panel Size AxB	A	F
		White	"G"			
WA602418FSSS	60.12x24.12x18.12 (1527x613x460)	WA60P24F1	WA60P24F1G	23.13 (587)	32.06 (814)	32.06 (814)
WA722418FSSS	72.12x24.12x18.12 (1832x613x460)	WA72P24F1	WA72P24F1G	29.13 (740)	38.06 (967)	32.06 (814)
WA723018FSSS	72.12x30.12x18.12 (1832x765x460)	WA72P30F1	WA72P30F1G	29.13 (740)	38.06 (967)	38.06 (967)
WA723618FSSS	72.12x36.12x18.12 (1832x917x460)	WA72P36F1	WA72P36F1G	29.13 (740)	38.06 (967)	38.06 (967)
WA902420FSSS	90.12x24.12x20.12 (2289x613x511)	WA90P24F1	WA90P24F1G	38.13 (968)	47.06 (1195)	38.06 (967)
WA903620FSSS	90.12x36.12x20.12 (2289x917x511)	WA90P36F1	WA90P36F1G	38.13 (968)	47.06 (1195)	38.06 (967)
WA603624FSSS	60.12x36.12x24.12 (1527x917x613)	WA60P36F1	WA60P36F1G	23.13 (587)	32.06 (814)	38.06 (967)
WA722424FSSS	72.12x24.12x24.12 (1832x613x613)	WA72P24F1	WA72P24F1G	29.13 (740)	38.06 (967)	38.06 (967)
WA723024FSSS	72.12x30.12x24.12 (1832x765x613)	WA72P30F1	WA72P30F1G	29.13 (740)	38.06 (967)	38.06 (967)
WA723624FSSS	72.12x36.12x24.12 (1832x917x613)	WA72P36F1	WA72P36F1G	29.13 (740)	38.06 (967)	38.06 (967)
WA903624FSSS	90.12x36.12x24.12 (2289x917x613)	WA90P36F1	WA90P36F1G	38.13 (968)	47.06 (1195)	47.06 (1195)
WA723630FSSS	72.12x36.12x30.12 (1832x917x765)	WA72P36F1	WA72P36F1G	29.13 (740)	38.06 (967)	47.06 (1195)
WA723636FSSS	72.12x36.12x36.12 (1832x917x917)	WA72P36F1	WA72P36F1G	29.13 (740)	38.06 (967)	47.06 (1195)
WA903636FSSS	90.12x36.12x36.12 (2289x917x917)	WA90P36F1	WA90P36F1G	38.13 (968)	47.06 (1195)	47.06 (1195)

*Back panels must be ordered separately.

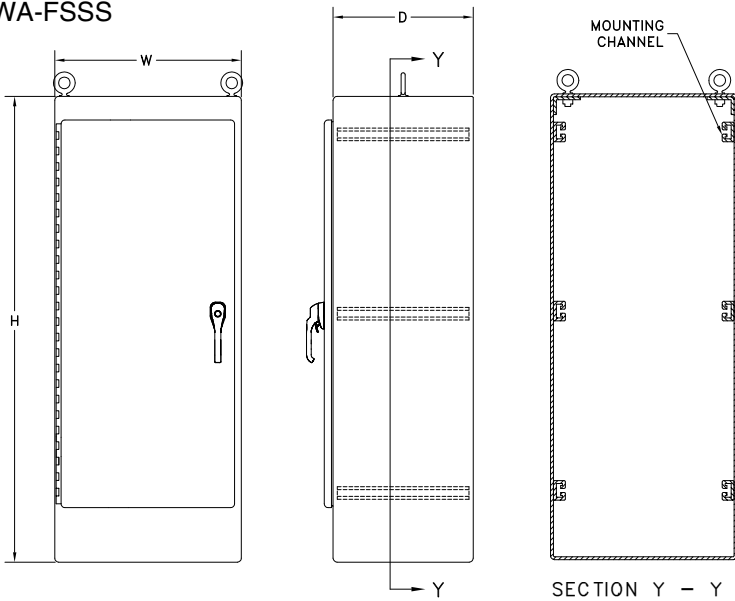
continued on page E55

WA-FSDSS SERIES TWO DOOR FREESTANDING ENCLOSURES

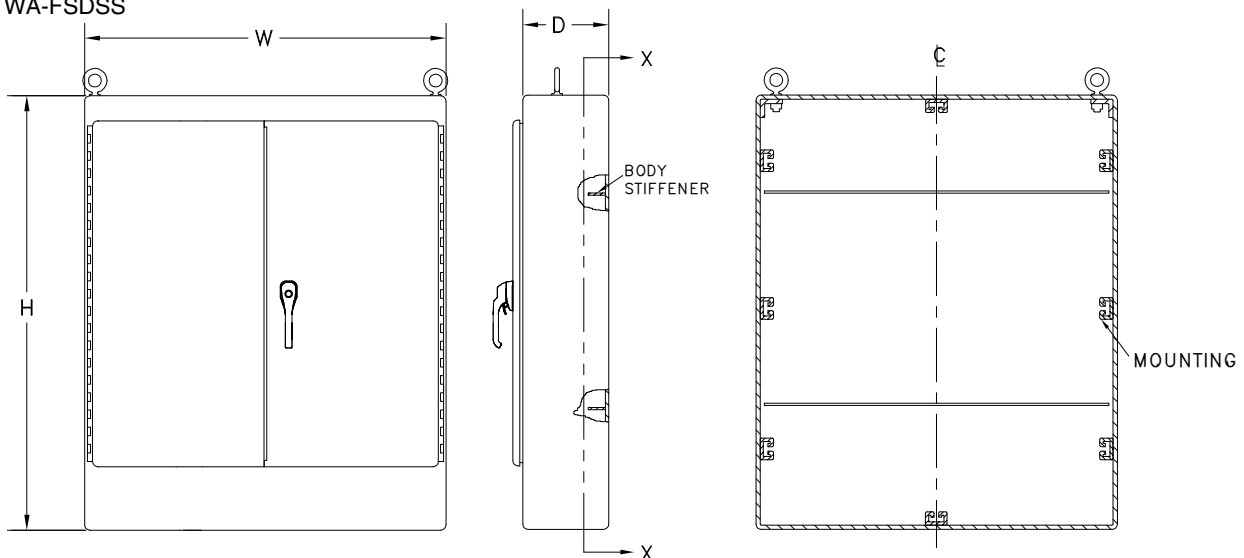
Catalog Number	Enclosure Size HxWxD	Back Panel Catalog Number*		A	B	C	E
		White	"G"				
WA604818FSDSS	60.12x48.12x18.12 (1527x1222x460)	WA60P48F1	WA60P48F1G	23.13 (587)	19.88 (505)	20.03 (509)	32.06 (814)
WA724818FSDSS	72.12x48.12x18.12 (1832x1222x460)	WA72P48F1	WA72P48F1G	29.13 (740)	23.88 (607)	24.03 (610)	38.06 (967)
WA726018FSDSS	72.12x60.12x18.12 (1832x1527x460)	WA72P60F1	WA72P60F1G	29.13 (740)	23.88 (607)	24.03 (610)	38.06 (967)
WA727218FSDSS	72.12x72.12x18.12 (1832x1832x460)	WA72P72F1	WA72P72F1G	29.13 (740)	23.88 (607)	24.03 (610)	38.06 (967)
WA904820FSDSS	90.12x48.12x20.12 (2289x1222x511)	WA90P48F1	WA90P48F1G	38.13 (968)	29.88 (759)	30.03 (763)	47.06 (1195)
WA907220FSDSS	90.12x72.12x20.12 (2289x1832x511)	WA90P72F1	WA90P72F1G	38.13 (968)	29.88 (759)	30.03 (763)	47.06 (1195)
WA724824FSDSS	72.12x48.12x24.12 (1832x1222x613)	WA72P48F1	WA72P48F1G	29.13 (740)	23.88 (607)	24.03 (610)	38.06 (967)
WA726024FSDSS	72.12x60.12x24.12 (1832x1527x613)	WA72P60F1	WA72P60F1G	29.13 (740)	23.88 (607)	24.03 (610)	38.06 (967)
WA727224FSDSS	72.12x72.12x24.12 (1832x1832x613)	WA72P72F1	WA72P72F1G	29.13 (740)	23.88 (607)	24.03 (610)	38.06 (967)
WA907224FSDSS	90.12x72.12x24.12 (2289x1832x613)	WA90P72F1	WA90P72F1G	38.13 (968)	29.88 (759)	30.03 (763)	47.06 (1195)
WA726036FSDSS	72.12x60.12x36.12 (1832x1527x917)	WA72P60F1	WA72P60F1G	29.13 (740)	23.88 (607)	24.03 (610)	38.06 (967)
WA907236FSDSS	90.12x72.12x36.12 (2289x1832x917)	WA90P72F1	WA90P72F1G	38.13 (968)	29.88 (759)	30.03 (763)	47.06 (1195)

*Back panels must be ordered separately.

WA-FSSS



WA-FSDSS



WRD - SSFSN4 SINGLE DOOR FREESTANDING ENCLOSURES STAINLESS STEEL WITH HEAVY-DUTY REMOVABLE HINGE



Industry Standards

cULus, Type 4, 4X, 12
NEMA/EEMAC Type 4, 4X, 12



UL File E64791



CSA File LL66078

FEATURES-SPECIFICATIONS

Applications

Designed to house electrical and electronic controls, terminals, and instruments in areas that are regularly hosed down or are otherwise very wet. Enclosures are also suitable for outdoor applications. These enclosures are used in machine tool applications for housing motor starters, drives, contactors, PLC's, as well as a wide variety of other electrical and electronic equipment. The addition of 19 inch rack-mounted accessories make these enclosures ideal for providing

rugged protection for sensitive rack-mounted components in harsh industrial environments.

Construction

- Body and doors are fabricated from 304 stainless steel
- Seams are continuously welded and ground smooth
- Mounting channels are welded horizontally to interior body. Optional swing panels and rack angles can be mounted anywhere along the mounting channel

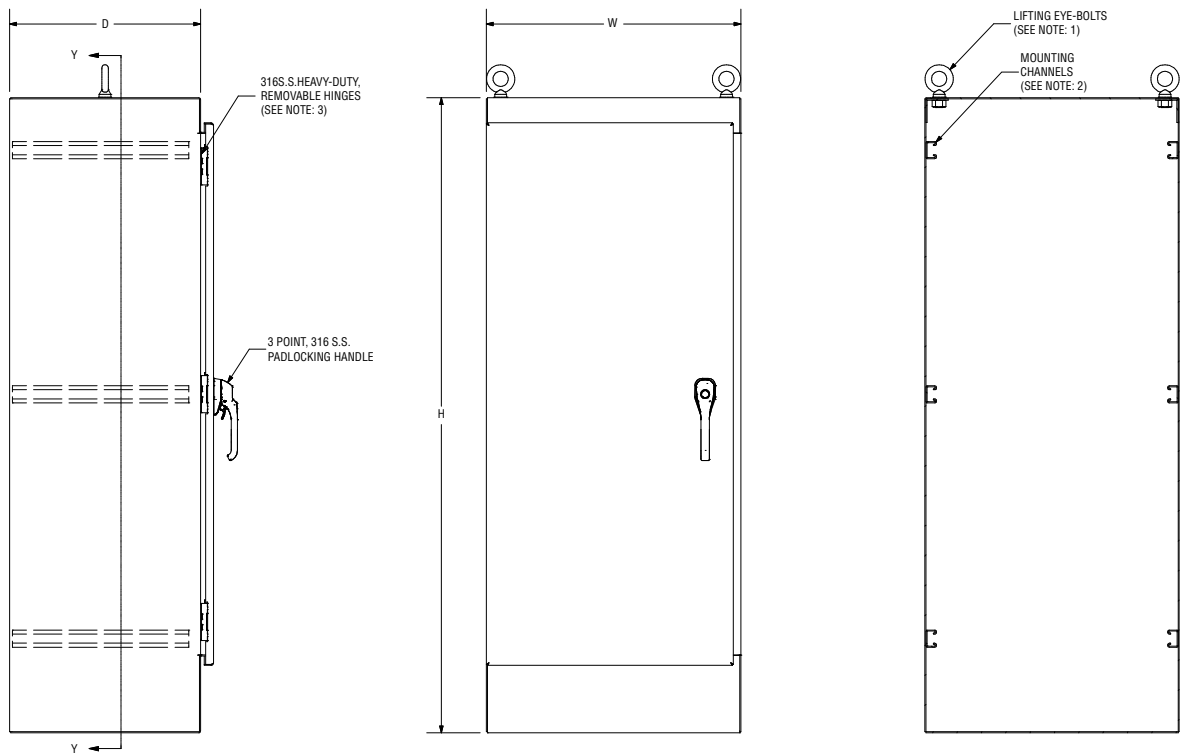
- Rolled lip along the top of the enclosure opening to exclude liquids and contaminants
- 3-point 316L SS padlocking handles
- Heavy-Duty 316 Stainless Steel Removable Hinge (patent pending)
- Heavy-duty removable lifting eyes
- Doors are sealed with a poured in place gasket
- Grounding provisions are provided
- Door opens 170°

WRD-FS4 SINGLE DOOR, FREESTANDING, HEAVY-DUTY REMOVABLE HINGE ENCLOSURES

Catalog Number	Enclosure Size HxWxD	Back Panel Catalog Number*		Back Panel Size
		White	"G"	
WRD602418SSFSN4	60.13 x 24.13 x 18.13 (1527x613x460)	WA60P24F1	WA60P24F1G	48.00X20.00 (1219x508)
WRD603624SSFSN4	72.13 x 24.13 x 18.13 (1832x613x460)	WA72P24F1	WA72P24F1G	60.00X20.00 (1524x508)
WRD722418SSFSN4	72.13 x 30.13 x 18.13 (1832x765x460)	WA72P30F1	WA72P30F1G	60.00X26.00 (1524x660)
WRD722424SSFSN4	72.13 x 36.13 x 18.13 (1832x918x460)	WA72P36F1	WA72P36F1G	60.00X32.00 (1524x813)
WRD723018SSFSN4	90.13 x 24.13 x 20.13 (2289x613x511)	WA90P24F1	WA90P24F1G	78.00X20.00 (1981x508)
WRD723024SSFSN4	90.13 x 36.13 x 20.13 (2289x918x511)	WA90P36F1	WA90P36F1G	78.00X32.00 (1981x813)
WRD723618SSFSN4	60.13 x 36.13 x 24.13 (1527x918x613)	WA60P36F1	WA60P36F1G	48.00X32.00 (1219x813)
WRD723624SSFSN4	72.13 x 24.13 x 24.13 (1832x613x613)	WA72P24F1	WA72P24F1G	60.00X20.00 (1524x508)
WRD723630SSFSN4	72.13 x 30.13 x 24.13 (1832x765x613)	WA72P30F1	WA72P30F1G	60.00X26.00 (1524x660)
WRD723636SSFSN4	72.13 x 36.13 x 24.13 (1832x918x613)	WA72P36F1	WA72P36F1G	60.00X32.00 (1524x813)
WRD902420SSFSN4	90.13 x 36.13 x 24.13 (2289x918x613)	WA90P36F1	WA90P36F1G	78.00X32.00 (1981x813)
WRD903620SSFSN4	72.13 x 36.13 x 30.13 (1832x918x765)	WA72P36F1	WA72P36F1G	60.00X32.00 (1524x813)
WRD903624SSFSN4	72.13 x 36.13 x 36.13 (1832x918x918)	WA72P36F1	WA72P36F1G	60.00X32.00 (1524x813)
WRD903636SSFSN4	90.13 x 36.13 x 36.13 (2289x918x918)	WA90P36F1	WA72P36F1G	78.00X32.00 (1981x813)

*Back panels must be ordered separately.

WRD-SSFSN4



WRD - SSFSDN4 DOUBLE DOOR FREESTANDING ENCLOSURES STAINLESS STEEL WITH HEAVY-DUTY REMOVABLE HINGE



Industry Standards

cULus, Type 4, 4X, 12
NEMA/EEMAC Type 4, 4X, 12



UL File E64791



CSA File LL66078

FEATURES-SPECIFICATIONS

Applications

Designed to house electrical and electronic controls, terminals, and instruments in areas that are regularly hosed down or are otherwise very wet. Enclosures are also suitable for outdoor applications. These enclosures are used in machine tool applications for housing motor starters, drives, contactors, PLC's, as well as a wide variety of other electrical and electronic equipment. The addition of 19 inch rack-mounted accessories make these enclosures ideal for providing rugged protection for sensitive

rack-mounted components in harsh industrial environments.

Construction

- Body and doors are fabricated from 304 stainless steel
- Seams are continuously welded and ground smooth
- Mounting channels are welded horizontally to interior body. Optional swing panels and rack angles can be mounted anywhere along the mounting channel

- Rolled lip along the top of the enclosure opening to exclude liquids and contaminants
- 3-point 316L SS padlocking handles
- Heavy-Duty 316 Stainless Steel Removable Hinge (patent pending)
- Heavy-duty removable lifting eyes
- Doors are sealed with a poured in place gasket
- Grounding provisions are provided
- Door opens 170°

Catalog Number	Enclosure Size HxWxD	Full Back Panel		Half Back Panel		Back Panel Size	
		White	"G"	White	"G"	Full	Half
WRD604818SSFSDN4	60 x 48 x 18 (1527x1222x460)	WA60P48F1	WA60P48F1G	WA60P48F2	WA60P48F2G	48 x 44	24.8 x 44
WRD724818SSFSDN4	72 x 48 x 18 (1832x1222x460)	WA72P48F1	WA72P48F1G	WA72P48F2	WA72P48F2G	60 x 44	30.8 x 44
WRD726018SSFSDN4	72 x 60 x 18 (1832x1527x460)	WA72P60F1	WA72P60F1G	WA72P60F2	WA72P60F2G	60 x 56	30.8 x 56
WRD727218SSFSDN4	72 x 72 x 18 (1832x1832x460)	WA72P72F1	WA72P72F1G	WA72P72F2	WA72P72F2G	60 x 68	30.8 x 68
WRD904820SSFSDN4	90 x 48 x 20 (2289x1222x511)	WA90P48F1	WA90P48F1G	WA90P48F2	WA90P48F2G	72 x 44	39.8 x 44
WRD907220SSFSDN4	90 x 72 x 20 (2289x1932x511)	WA90P72F1	WA90P72F1G	WA90P72F2	WA90P72F2G	72 x 68	39.8 x 68
WRD724824SSFSDN4	72 x 48 x 24 (1832x1222x613)	WA72P48F1	WA72P48F1G	WA72P48F2	WA72P48F2G	60 x 44	30.8 x 44
WRD726024SSFSDN4	72 x 60 x 24 (1832x1527x613)	WA72P60F1	WA72P60F1G	WA72P60F2	WA72P60F2G	60 x 56	30.8 x 56
WRD727224SSFSDN4	72 x 72 x 24 (2289x1932x613)	WA72P72F1	WA72P72F1G	WA72P72F2	WA72P72F2G	60 x 68	30.8 x 68
WRD907224SSFSDN4	90 x 72 x 24 (2289x1932x613)	WA90P72F1	WA90P72F1G	WA90P72F2	WA90P72F2G	72 x 68	39.8 x 68
WRD726036SSFSDN4	72 x 60 x 36 (1832x1527x917)	WA72P60F1	WA72P60F1G	WA72P60F2	WA72P60F2G	60 x 56	30.8 x 56
WRD907236SSFSDN4	90 x 72 x 36 (2289x1932x917)	WA90P72F1	WA90P72F1G	WA90P72F2	WA90P72F2G	72 x 68	39.8 x 68

*Back panels must be ordered separately.

WRD-SSFSDN4

