

# Section C Index

## B Series

NEMA 12 JIC Lift-Off Cover Wall-Mount . C2

## B-CH Series

NEMA 12 JIC Continuous Hinge  
Wall-Mount ..... C4

## Large B-CH Series

NEMA 12 JIC Continuous Hinge  
Wall-Mount ..... C6

## B-CHQR Series

NEMA 12 JIC Continuous Hinge  
Quick-Release Wall-Mount ..... C8

## B-SC Series

NEMA 12 JIC Screw-Cover Wall-Mount . C10

## WA-GIE Series

NEMA 12 JIC Hinged Screw-Cover  
Wall-Mount ..... C12

## JIC Handy Series

NEMA 12 JIC Screw-Cover Wall-Mount . C14

## B-CHFTC Series

JIC Continuous Hinge Wall-Mount ..... C15

## N12 Series

NEMA 12 Single Door Wall-Mount ..... C16

## WA-WF Series

NEMA 12 Two Door Wall-Mount..... C19

## WA-FM Series

NEMA 12 Single Door Flush  
Wall-Mount ..... C21

## N12 Series

NEMA 12 Two Door Floor-Mount ..... C23

## WA-FS Series

NEMA 12 Single Door Freestanding ..... C25

## WA-FSD Series

NEMA 12 Two Door Freestanding ..... C27

## WA-FSDA Series

NEMA 12 Single Door Dual Access  
Freestanding ..... C28

## WA-FSDAD Series

NEMA 12 Two Door Dual Access  
Freestanding ..... C29

**Freestanding Accessories** ..... C30

## WA-E Series

NEMA 12 Multi-Door Freestanding .. C33-36

## NEMA 12 ENCLOSURES



**B SERIES ENCLOSURES  
NEMA 12 JIC LIFT-OFF COVER WALL-MOUNT**



**B080804**

**Industry Standards**


UL 50, Type 12 & 13  
(6.00" x 6.00" x 4.00" & above)

UL 508A, Type 12 & 13  
(6.00" x 4.00" x 4.00" & smaller)

CSA Certified, Type 12

NEMA/EEMAC Type 12 & 13

 UL Files E23553, E64791

 CSA File LL66078

**FEATURES-SPECIFICATIONS**

**Applications**

The B Series JIC box is a standard of the automotive industry but has wide applications in other industries. The box incorporates a chain secured lift-off cover and is designed to safeguard components against dust, dirt, oil, and water.

**Construction**

- Bodies and doors are fabricated from carbon steel
- Seams are continuously welded and ground smooth

- Lids are sealed with a closed cell oil resistant neoprene gasket
- External mounting plates on the top and bottom of the enclosure
- Weldnuts are provided on models 6.00" x 4.00" and larger to secure optional back panel
- External screw clamps are quick and easy to operate
- Lift-off cover design. Chain holds the cover to the box when the cover is removed
- Grounding provisions are provided

**Finish**

- ANSI 61 gray polyester powder inside and out
- **Optional** back panels are painted with a white polyester powder
- **Optional** perforated panels are painted with a white polyester powder
- **Optional** "G" panels are pre-galvanized steel

**Accessories**

- Back panels (reference table)
- See pages L1-L24

**B SERIES JIC LIFT-OFF COVER ENCLOSURES**

Catalog Number	Enclosure Size HxWxD	Back Panel Catalog Number*			Back Panel Size A x B	Mounting Size C x E
		White	"G"	Perforated		
B040403	4.00x4.00x3.00 (102x102x76)	—	—	—	—	4.75x2.00 (121x51)
B040404	4.00x4.00x4.00 (102x102x102)	—	—	—	—	4.75x2.00 (121x51)
B060403	6.00x4.00x3.00 (152x102x76)	P0604	P0604G	P0604PP	4.88x2.88 (124x73)	6.75x2.00 (171x51)
B060404	6.00x4.00x4.00 (152x102x102)	P0604	P0604G	P0604PP	4.88x2.88 (124x73)	6.75x2.00 (171x51)
B060604	6.00x6.00x4.00 (152x152x102)	P0606	P0606G	P0606PP	4.88x4.88 (124x124)	6.75x4.00 (171x102)
B080603	8.00x6.00x3.50 (203x152x89)	P0806	P0806G	P0806PP	6.88x4.88 (175x124)	8.75x4.00 (222x102)
B080606	8.00x6.00x6.00 (203x152x152)	P0806	P0806G	P0806PP	6.88x4.88 (175x124)	8.75x4.00 (222x102)
B080804	8.00x8.00x4.00 (203x203x102)	P0808	P0808G	P0808PP	6.88x6.88 (175x175)	8.75x6.00 (222x152)

\*Back panels must be ordered separately.

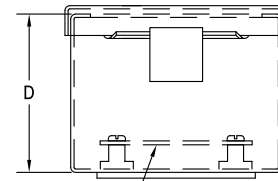
continued on page C3

# B SERIES ENCLOSURES NEMA 12 JIC LIFT-OFF COVER WALL-MOUNT

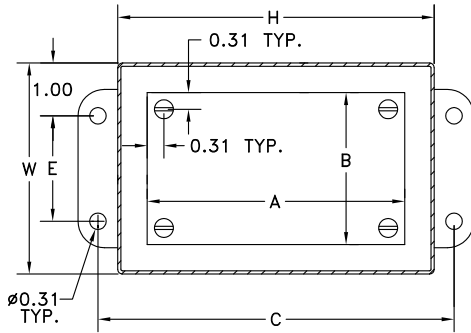
C3

## B SERIES JIC LIFT-OFF COVER ENCLOSURES (CONT.)

Catalog Number	Enclosure Size HxWxD	Back Panel Catalog Number*			Back Panel Size A x B	Mounting Size C x E
		White	"G"	Perforated		
B100804	10.00x8.00x4.00 (254x203x102)	P1008	P1008G	P1008PP	8.88x6.88 (226x175)	10.75x6.00 (273x152)
B100806	10.00x8.00x6.00 (254x203x152)	P1008	P1008G	P1008PP	8.88x6.88 (226x175)	10.75x6.00 (273x152)
B121005	12.00x10.00x5.00 (305x254x127)	P1210	P1210G	P1210PP	10.88x8.88 (276x226)	12.75x8.00 (324x203)
B121206	12.00x12.00x6.00 (305x305x152)	P1212	P1212G	P1212PP	10.88x10.88 (276x276)	12.75x10.00 (324x254)
B141206	14.00x12.00x6.00 (356x305x152)	P1412	P1412G	P1412PP	12.88x10.88 (327x276)	14.75x10.00 (375x254)
B161406	16.00x14.00x6.00 (406x356x152)	P1614	P1614G	P1614PP	14.88x12.88 (378x327)	16.75x12.00 (425x305)

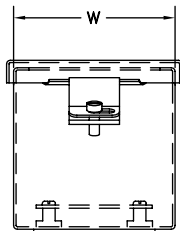


PANEL (Order Separately)

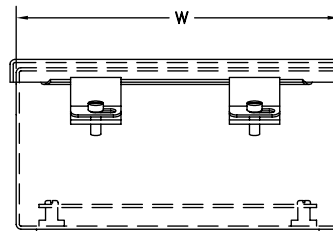


Notes:

1. Panel screws are #10-32 Pan Head.
2. Two clamps are used if W = 8" or more.
3. Chain is supplied but not shown.



VIEW SHOWING CLAMP POSITION  
WHEN "W" IS LESS THAN 8"



VIEW SHOWING CLAMP POSITION  
WHEN "W" EQUALS 8" OR MORE.

**B-CH SERIES ENCLOSURES  
NEMA 12 JIC CONTINUOUS HINGE WALL-MOUNT**



**B101006CH**

**Industry Standards**

UL 50, Type 12 & 13  
CSA Certified, Type 12  
NEMA/EEMAC Type 12 & 13

 UL Files E6924

 CSA File LL66078

**FEATURES-SPECIFICATIONS**

**Applications**

Intended for use as electrical junction boxes, terminal wiring boxes, and instrument housing. Hinged door provides convenient access. Designed to provide protection from dust, dirt, oil, and water.

**Construction**

- Bodies and doors are fabricated from carbon steel
- Seams are continuously welded and ground smooth

- Lids are sealed with a closed cell oil resistant neoprene gasket
- External mounting plates on the top and bottom of the enclosure
- Weldnuts are provided on models 6.00" x 4.00" and larger to secure optional back panel
- External screw clamps are quick and easy to operate
- Continuously hinged door is removable by pulling hinge pin
- Grounding provisions are provided

**Finish**

- ANSI-61 gray polyester powder inside and out
- **Optional** back panels are painted with a white polyester powder
- **Optional** "G" panels are pre-galvanized steel

**Accessories**

- Back panels (reference table)
- See pages L1-L24

**B-CH SERIES CONTINUOUS HINGE ENCLOSURES**

Catalog Number	Enclosure Size HxWxD	Back Panel Catalog Number*			Back Panel Size A x B	Mounting Size C x E
		White	"G"	Perforated		
B040403CH	4.00x4.00x3.00 (102x102x76)	—	—	—	—	4.75x2.00 (121x51)
B040404CH	4.00x4.00x4.00 (102x102x102)	—	—	—	—	4.75x2.00 (121x51)
B060403CH	6.00x4.00x3.00 (152x102x76)	P0604	P0604G	P0604PP	4.88x2.88 (124x73)	6.75x2.00 (171x51)
B060404CH	6.00x4.00x4.00 (152x102x102)	P0604	P0604G	P0604PP	4.88x2.88 (124x73)	6.75x2.00 (171x51)
B060604CH	6.00x6.00x4.00 (152x152x102)	P0606	P0606G	P0606PP	4.88x4.88 (124x124)	6.75x4.00 (171x102)
B080603CH	8.00x6.00x3.50 (203x152x89)	P0806	P0806G	P0806PP	6.88x4.88 (175x124)	8.75x4.00 (222x102)
B080606CH	8.00x6.00x6.00 (203x152x152)	P0806	P0806G	P0806PP	6.88x4.88 (175x124)	8.75x4.00 (222x102)
B080804CH	8.00x8.00x4.00 (203x203x102)	P0808	P0808G	P0808PP	6.88x6.88 (175x175)	8.75x6.00 (222x152)
B100804CH	10.00x8.00x4.00 (254x203x102)	P1008	P1008G	P1008PP	8.88x6.88 (226x175)	10.75x6.00 (273x152)
B100804CHS	10.00x8.00x4.00 (254x203x102)	P1008	P1008G	P1008PP	8.88x6.88 (226x175)	10.75x6.00 (273x152)
B100806CH	10.00x8.00x6.00 (254x203x152)	P1008	P1008G	P1008PP	8.88x6.88 (226x175)	10.75x6.00 (273x152)

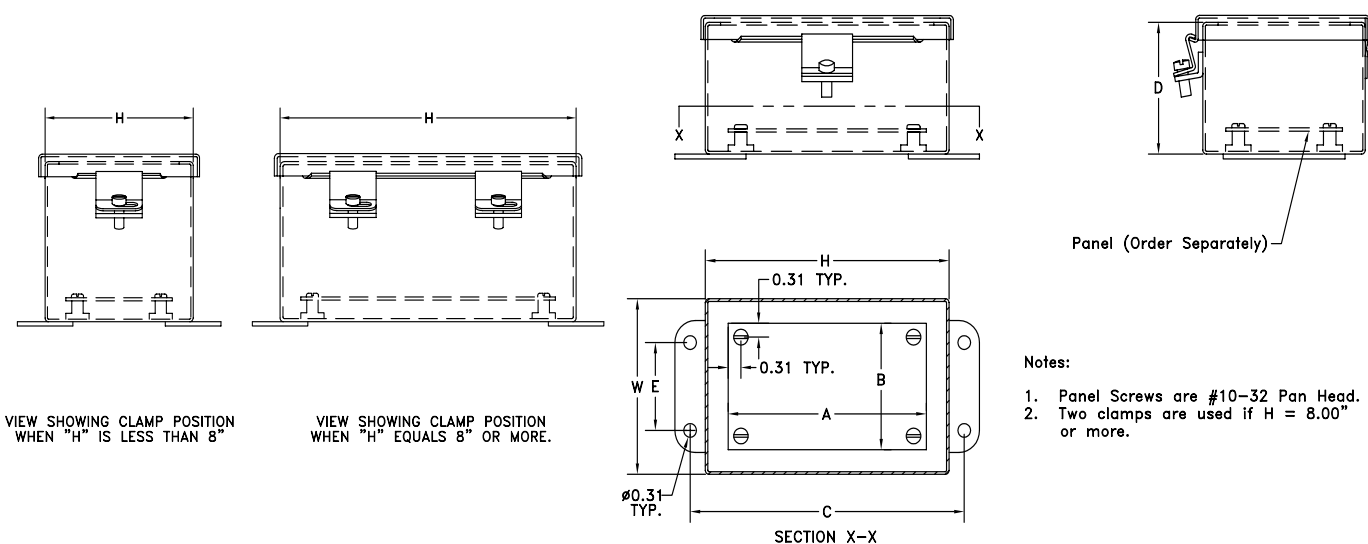
continued on page C5

# B-CH SERIES ENCLOSURES NEMA 12 JIC CONTINUOUS HINGE WALL-MOUNT

## B-CH SERIES CONTINUOUS HINGE ENCLOSURES (CONT.)

Catalog Number	Enclosure Size HxWxD	Back Panel Catalog Number*			Back Panel Size A x B	Mounting Size C x E
		White	"G"	Perforated		
B101006CH	10.00x10.00x6.00 (254x254x152)	P1010	P1010G	P1010PP	8.88x8.88 (225x225)	10.75x8.00 (273x203)
B120604CH	12.00x6.00x4.00 (305x152x102)	P1206	P1206G	P1206PP	10.88x4.88 (276x124)	12.75x4.00 (324x102)
B121005CH	12.00x10.00x5.00 (254x305x127)	P1210	P1210G	P1210PP	10.88x8.88 (276x226)	12.75x8.00 (324x203)
B121005CHS	12.00x10.00x5.00 (254x305x127)	P1210	P1210G	P1210PP	10.88x8.88 (276x226)	12.75x8.00 (324x203)
B121008CH	12.00x10.00x8.00 (305x254x203)	P1210	P1210G	P1210PP	10.88x8.88 (276x226)	12.75x8.00 (324x203)
B121206CH	12.00x12.00x6.00 (305x305x152)	P1212	P1212G	P1212PP	10.88x10.88 (276x276)	12.75x10.00 (324x254)
B140806CH	14.00x8.00x6.00 (356x203x152)	P1408	P1408G	P1408PP	12.88x6.88 (327x175)	14.75x6.00 (375x152)
B141206CH	14.00x12.00x6.00 (356x305x152)	P1412	P1412G	P1412PP	12.88x10.88 (327x276)	14.75x10.00 (375x254)
B141206CHS	14.00x12.00x6.00 (356x305x152)	P1412	P1412G	P1412PP	12.88x10.88 (327x276)	14.75x10.00 (375x254)
B141208CH	14.00x12.00x8.00 (356x305x203)	P1412	P1412G	P1412PP	12.88x10.88 (327x276)	14.75x10.00 (375x254)
B161006CH	16.00x10.00x6.00 (406x254x152)	P1610	P1610G	P1610PP	14.88x8.88 (378x226)	16.75x8.00 (425x203)
B161406CH	16.00x14.00x6.00 (406x356x152)	P1614	P1614G	P1614PP	14.88x12.88 (378x327)	16.75x12.00 (425x305)
B161406CHS	16.00x14.00x6.00 (406x356x152)	P1614	P1614G	P1614PP	14.88x12.88 (378x327)	16.75x12.00 (425x305)
B161408CH	16.00x14.00x8.00 (406x356x203)	P1614	P1614G	P1614PP	14.88x12.88 (378x327)	16.75x12.00 (425x305)
B161410CH	16.00x14.00x10.00 (406x356x254)	P1614	P1614G	P1614PP	14.88x12.88 (378x327)	16.75x12.00 (425x305)

\*Back panels must be ordered separately.



**LARGE B-CH SERIES ENCLOSURES  
NEMA 12 JIC CONTINUOUS HINGE WALL-MOUNT**



**B202007CH**

**Industry Standards**

UL 50, Type 12 & 13  
CSA Certified, Type 12 & 13  
NEMA/EEMAC Type 12

 UL File E6924

 CSA File LL66078

**FEATURES-SPECIFICATIONS**

**Applications**

Designed to house electrical controls, terminals, instruments and components. Provides protection from dirt, dust, oil and water.

**Construction**

- Bodies and doors are fabricated from carbon steel
- Seams are continuously welded and ground smooth
- Doors are sealed with a poured in place gasket

- External screw clamps on the door
- Continuously hinged door is removable by pulling hinge pin
- Door and body stiffeners are provided in larger enclosures for added rigidity
- Collar studs for mounting **optional** back panels are provided
- External mounting feet are provided
- Ground stud located in the door

**Finish**

- ANSI-61 gray polyester powder inside and out
- **Optional** back panels are painted with a white polyester powder
- **Optional** "G" are pre-galvanized steel

**Accessories**

- Back panels (reference table)
- See pages L1-L24

**LARGE B-CH SERIES JIC CONTINUOUS HINGE ENCLOSURES**

Catalog Number	Enclosure Size HxWxD	Back Panel Catalog Number*		Back Panel Size A x B	Stiffener	
		White	"G"		Body	Door
B201607CH	20.00x16.00x7.00 (508x406x178)	NP2016	NP2016G	17.00x13.00 (432x330)	No	No
B202007CH	20.00x20.00x7.00 (508x508x178)	NP2020	NP2020G	17.00x17.00 (432x432)	No	No
B242007CH	24.00x20.00x7.00 (610x508x178)	NP2420	NP2420G	21.00x17.00 (533x432)	No	No
B242407CH	24.00x24.00x7.00 (610x610x178)	NP2424	NP2424G	21.00x21.00 (533x533)	No	No
B302007CH	30.00x20.00x7.00 (762x508x178)	NP3020	NP3020G	27.00x17.00 (686x432)	No	No
B362407CH	36.00x24.00x7.00 (914x610x178)	NP3624	NP3624G	33.00x21.00 (838x533)	No	No
B201609CH	20.00x16.00x9.00 (508x406x229)	NP2016	NP2016G	17.00x13.00 (432x330)	No	No
B202009CH	20.00x20.00x9.00 (508x508x229)	NP2020	NP2020G	17.00x17.00 (432x432)	No	No
B242009CH	24.00x20.00x9.00 (610x508x229)	NP2420	NP2420G	21.00x17.00 (533x432)	No	No
B242409CH	24.00x24.00x9.00 (610x610x229)	NP2424	NP2424G	21.00x21.00 (533x533)	No	No
B302009CH	30.00x20.00x9.00 (762x508x229)	NP3020	NP3020G	27.00x17.00 (686x432)	No	No

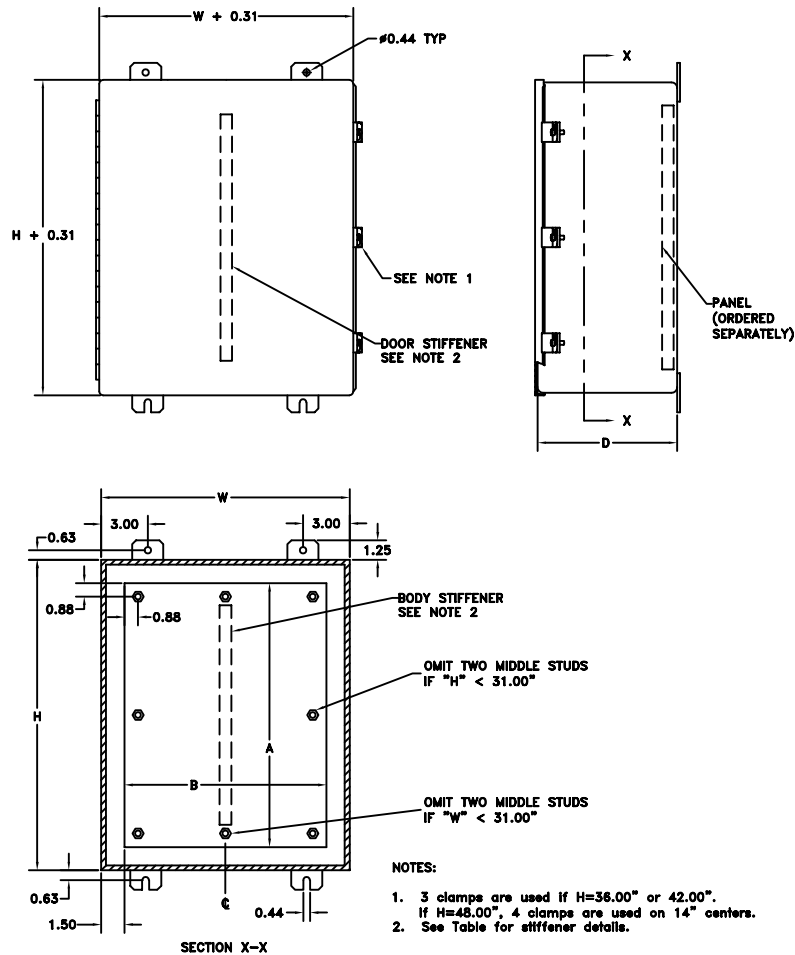
continued on page C7

# LARGE B-CH SERIES ENCLOSURES NEMA 12 JIC CONTINUOUS HINGE WALL-MOUNT

## LARGE B-CH SERIES JIC CONTINUOUS HINGE ENCLOSURES (CONT.)

Catalog Number	Enclosure Size HxWxD	Back Panel Catalog Number*		Back Panel Size A x B	Stiffener	
		White	"G"		Body	Door
B302409CH	30.00x24.00x9.00 (762x610x229)	NP3024	NP3024G	27.00x21.00 (686x533)	No	No
B362409CH	36.00x24.00x9.00 (914x610x229)	NP3624	NP3624G	33.00x21.00 (838x533)	No	No
B363009CH	36.00x30.00x9.00 (914x762x229)	NP3630	NP3630G	33.00x27.00 (838x686)	Yes	No
B423609CH	42.00x36.00x9.00 (1067x914x229)	NP4236	NP4236G	39.00x33.00 (991x838)	Yes	Yes
B242411CH	24.00x24.00x11.00 (610x610x279)	NP2424	NP2424G	21.00x21.00 (533x533)	No	No
B362411CH	36.00x24.00x11.00 (914x610x279)	NP3624	NP3624G	33.00x21.00 (838x533)	No	No
B483611CH	48.00x36.00x11.00 (1219x914x279)	NP4836	NP4836G	45.00x33.00 (1143x838)	Yes	Yes
B302413CH	30.00x24.00x13.00 (762x610x330)	NP3024	NP3024G	27.00x21.00 (686x533)	No	No
B363013CH	36.00x30.00x13.00 (914x762x330)	NP3630	NP3630G	33.00x27.00 (838x686)	Yes	No

\* Back panels must be ordered separately.



## B-CHQR SERIES ENCLOSURES NEMA 12 JIC CONTINUOUS HINGE QUICK-RELEASE WALL-MOUNT



B060604CHQR


### Industry Standards

UL 50, Type 12 &amp; 13

CSA Certified, Type 12

NEMA/EEMAC Type 12 &amp; 13

 UL Files E6924

 CSA File LL66078

## FEATURES-SPECIFICATIONS

### Applications

Intended for use as electrical junction boxes, terminal wiring boxes, and instrument housing. Hinged door with quick-release latching provides convenient access. Designed to provide protection from dust, dirt, oil, and water.

### Construction

- Bodies and doors are fabricated from carbon steel
- Seams are continuously welded and ground smooth

- Lids are sealed with a closed cell oil resistant neoprene gasket
- External mounting plates on the top and bottom of the enclosure
- Weldnuts are provided on models 6.00" x 4.00" and larger to secure **optional** back panel
- External quick-release latches secure cover
- Continuously hinged door is removable by pulling the hinge pin
- Grounding provisions are provided

### Finish

- ANSI-61 gray polyester powder inside and out
- **Optional** back panels are painted with a white polyester powder
- **Optional** perforated panels are painted with a white polyester powder
- **Optional** "G" panels are pre-galvanized steel

### Accessories

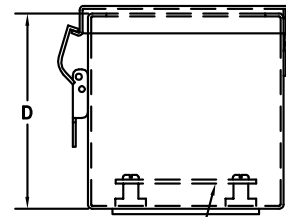
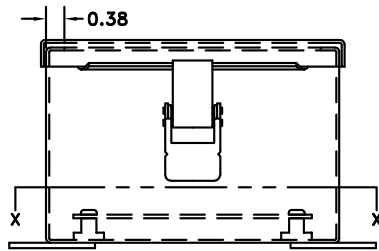
- Back panels (reference table)
- See pages L1-L24

### B-CHQR SERIES JIC CONTINUOUS HINGE QUICK-RELEASE ENCLOSURES

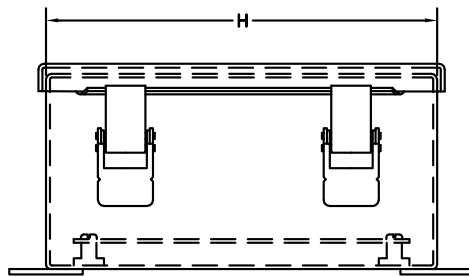
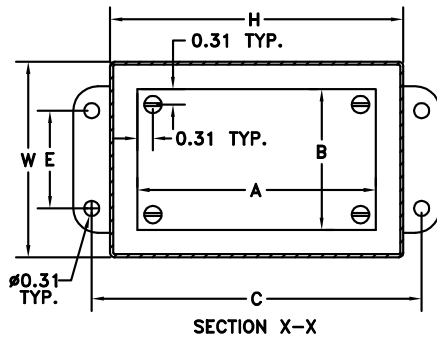
Catalog Number	Enclosure Size HxWxD	Back Panel Catalog Number*			Back Panel Size A x B	Mounting Size C x E
		White	"G"	Perforated		
B060403CHQR	6.00x4.00x3.00 (152x102x76)	P0604	P0604G	P0604PP	4.88x2.88 (124x73)	6.75x2.00 (171x51)
B060604CHQR	6.00x6.00x4.00 (152x152x102)	P0606	P0606G	P0606PP	4.88x4.88 (124x124)	6.75x4.00 (171x102)
B080603CHQR	8.00x6.00x3.50 (203x152x89)	P0806	P0806G	P0806PP	6.88x4.88 (175x124)	8.75x4.00 (222x102)
B100804CHQR	10.00x8.00x4.00 (254x203x102)	P1008	P1008G	P1008PP	8.88x6.88 (226x175)	10.75x6.00 (273x152)
B121005CHQR	12.00x10.00x5.00 (305x254x127)	P1210	P1210G	P1210PP	10.88x8.88 (276x226)	12.75x8.00 (324x203)
B141206CHQR	14.00x12.00x6.00 (356x305x152)	P1412	P1412G	P1412PP	12.88x10.88 (327x276)	14.75x10.00 (375x254)
B161406CHQR	16.00x14.00x6.00 (406x356x152)	P1614	P1614G	P1614PP	14.88x12.88 (378x327)	16.75x12.00 (425x305)

\*Back panels must be ordered separately.

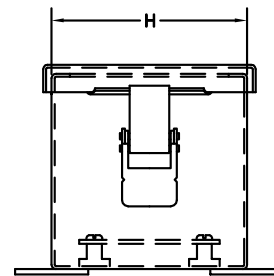




Panel (Order Separately)



VIEW SHOWING CLAMP POSITION  
WHEN "H" EQUALS 8" OR MORE.



VIEW SHOWING CLAMP POSITION  
WHEN "H" IS LESS THAN 8"

## B-SC SERIES ENCLOSURES NEMA 12 JIC SCREW-COVER WALL-MOUNT




B060604SC

### Industry Standards

UL 50, Type 12 & 13  
(6" X 6" X 4" & above)  
UL 508A, Type 12 & 13  
(6" X 4" X 4" & smaller)  
CSA Certified, Type 12  
NEMA/EEMAC Type 12 & 13

 UL Files E23553, E64791

 CSA File LL66078

## FEATURES-SPECIFICATIONS

### Applications

Designed for use as instrument housing, electrical control enclosures, terminal wiring boxes or electrical junction boxes. Provides protection from dirt, dust, oil and water.

### Construction

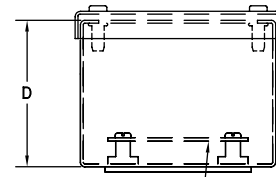
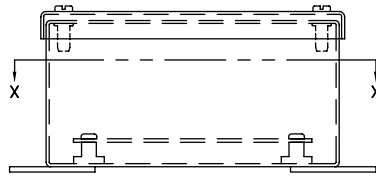
- Bodies and doors are fabricated from carbon steel
- Seams are continuously welded and ground smooth
- Lids are sealed with a closed cell oil resistant neoprene gasket
- External mounting plates on the top and bottom of the enclosure
- Weldnuts are provided on models 6.00" x 4.00" and larger to secure optional back panel
- Captivated cover screws are provided which thread into sealed wells to prevent leakage through the cover
- Grounding provisions are provided

### Finish

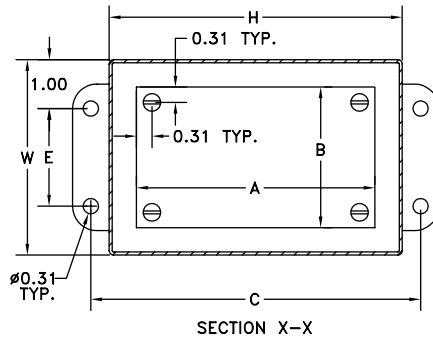
- ANSI-61 gray polyester powder inside and out
- **Optional** back panels are painted with a white polyester powder
- **Optional** perforated panels are painted with a white polyester powder
- **Optional** "G" panels are pre-galvanized steel

### Accessories

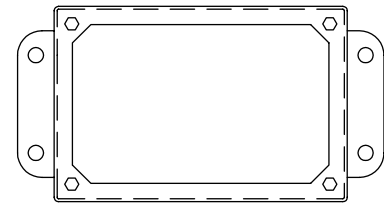
- Back panels (reference table)
- See pages L1-L24



Panel (Order Separately)



SECTION X-X



TOP VIEW  
COVER REMOVED

**B-SC SERIES JIC SCREW-COVER ENCLOSURES**

Catalog Number	Enclosure Size HxWxD	Back Panel Catalog Number*			Back Panel Size A x B	Mounting Size C x E
		White	"G"	Perforated		
B040403SC	4.00x4.00x3.00 (102x102x76)	—	—	—	—	4.75x2.00 (121x51)
B040404SC	4.00x4.00x4.00 (102x102x102)	—	—	—	—	4.75x2.00 (121x51)
B060403SC	6.00x4.00x3.00 (152x102x76)	P0604	P0604G	P0604PP	4.88x2.88 (124x73)	6.75x2.00 (171x51)
B060404SC	6.00x4.00x4.00 (152x102x102)	P0604	P0604G	P0604PP	4.88x2.88 (124x73)	6.75x2.00 (171x51)
B060604SC	6.00x6.00x4.00 (152x152x102)	P0606	P0606G	P0606PP	4.88x4.88 (124x124)	6.75x4.00 (171x102)
B080603SC	8.00x6.00x3.50 (203x152x89)	P0806	P0806G	P0806PP	6.88x4.88 (175x124)	8.75x4.00 (222x102)
B080606SC	8.00x6.00x6.00 (203x152x152)	P0806	P0806G	P0806PP	6.88x4.88 (175x124)	8.75x4.00 (222x102)
B080804SC	8.00x8.00x4.00 (203x203x102)	P0808	P0808G	P0808PP	6.88x6.88 (175x175)	8.75x6.00 (222x152)
B100804SC	10.00x8.00x4.00 (254x203x102)	P1008	P1008G	P1008PP	8.88x6.88 (226x175)	10.75x6.00 (273x152)
B100806SC	10.00x8.00x6.00 (254x203x152)	P1008	P1008G	P1008PP	8.88x6.88 (226x175)	10.75x6.00 (273x152)
B101004SC	10.00x10.00x4.00 (254x254x102)	P1010	P1010G	P1010PP	8.88x8.88 (225x225)	10.75x8.00 (273x203)
B101006SC	10.00x10.00x6.00 (254x254x152)	P1010	P1010G	P1010PP	8.88x8.88 (225x225)	10.75x8.00 (273x203)
B121005SC	12.00x10.00x5.00 (305x254x127)	P1210	P1210G	P1210PP	10.88x8.88 (276x226)	12.75x8.00 (324x203)
B121206SC	12.00x12.00x6.00 (305x305x152)	P1212	P1212G	P1212PP	10.88x10.88 (276x276)	12.75x10.00 (324x254)
B141206SC	14.00x12.00x6.00 (356x305x152)	P1412	P1412G	P1412PP	12.88x10.88 (327x276)	14.75x10.00 (375x254)
B161406SC	16.00x14.00x6.00 (406x356x152)	P1614	P1614G	P1614PP	14.88x12.88 (378x327)	16.75x12.00 (425x305)

\*Back panels must be ordered separately.

## WA-GIE SERIES ENCLOSURES NEMA 12 JIC HINGED SCREW-COVER WALL-MOUNT



WA060604GIE

### Industry Standards

UL 50, Type 12 & 13  
CSA Certified, Type 12  
NEMA/EEMAC Type 12 & 13

 UL File E6924

 CSA File LL66078

### FEATURES-SPECIFICATIONS

#### Applications

Designed for use as instrument housing, electrical control enclosures, terminal wiring boxes or electrical junction boxes. Provides protection from dirt, dust, oil and water.

#### Construction

- Bodies and doors are fabricated from carbon steel
- Seams are continuously welded and ground smooth

- Lids are sealed with a closed cell oil resistant neoprene strip gasket
- Cover is secured by continuous hinge
- Captivated door screws thread into sealed wells
- No mounting feet or mounting holes are provided
- Weldnuts are provided to mount **optional** back panels
- Grounding provisions are provided

#### Finish

- ANSI-61 gray polyester powder inside and out
- **Optional** back panels are painted with a white polyester powder
- **Optional** "G" panels are pre-galvanized

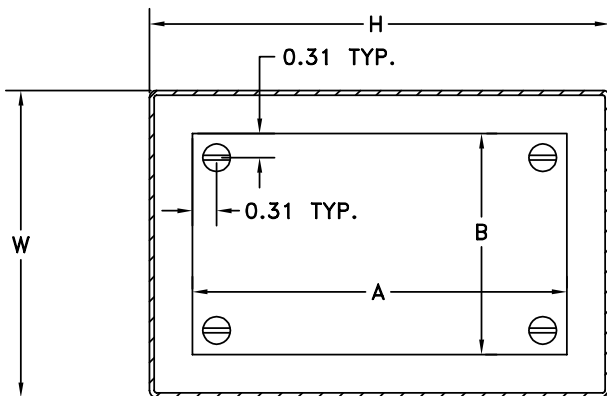
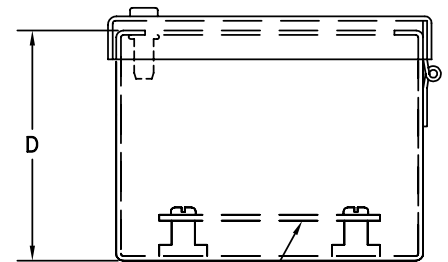
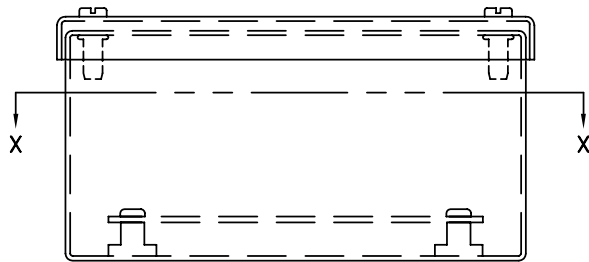
#### Accessories

- Back panels (reference table)
- See pages L1-L24

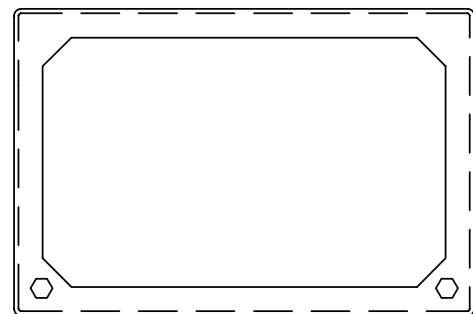
#### WA-GIE SERIES JIC HINGED SCREW-COVER ENCLOSURES

Catalog Number	Enclosure Size HxWxD	Back Panel Catalog Number*		Back Panel Size A x B
		White	"G"	
WA060604GIE	6.00x6.00x4.00 (152x152x102)	N1P0606	N1P0606G	4.25x4.25 (108x108)
WA080604GIE	8.00x6.00x4.00 (203x152x102)	N1P0608	N1P0608G	6.25x4.25 (159x108)
WA080804GIE	8.00x8.00x4.00 (203x203x102)	N1P0808	N1P0808G	6.25x6.25 (159x159)
WA080806GIE	8.00x8.00x6.00 (203x203x152)	N1P0808	N1P0808G	6.25x6.25 (159x159)
WA100804GIE	10.00x8.00x4.00 (254x203x102)	N1P0810	N1P0810G	8.25x6.25 (210x159)
WA100806GIE	10.00x8.00x6.00 (254x203x152)	N1P0810	N1P0810G	8.25x6.25 (210x159)
WA101006GIE	10.00x10.00x6.00 (254x254x152)	N1P1010	N1P1010G	8.25x8.25 (210x210)
WA121004GIE	12.00x10.00x4.00 (305x254x102)	N1P1012	N1P1012G	10.25x8.25 (260x210)
WA121006GIE	12.00x10.00x6.00 (305x254x152)	N1P1012	N1P1012G	10.25x8.25 (260x210)
WA121206GIE	12.00x12.00x6.00 (305x305x152)	N1P1212	N1P1212G	10.25x10.25 (260x260)
WA141206GIE	14.00x12.00x6.00 (356x305x152)	N1P1214	N1P1214G	12.25x10.25 (311x260)

\* Back panels must be ordered separately.



SECTION X-X



TOP VIEW  
COVER REMOVED


**JIC HANDY SERIES ENCLOSURES  
NEMA 12 JIC SCREW-COVER WALL-MOUNT**



JIC040403

**Industry Standards**  
UL508A, Type 12, 13  
CSA Certified, Type 12  
NEMA/EEMAC Type 12 & 13

 UL File E64791

 CSA File LL66078

**FEATURES-SPECIFICATIONS**

**Applications**

Ideal for use where protection from dirt, dust, oil and water is needed. Particularly suitable for use with liquid-tight flexible conduit.

**Construction**

- Bodies and doors are fabricated from carbon steel
- External mounting plates on the top and bottom of the enclosure
- Covers are sealed with a closed cell oil resistant neoprene gasket

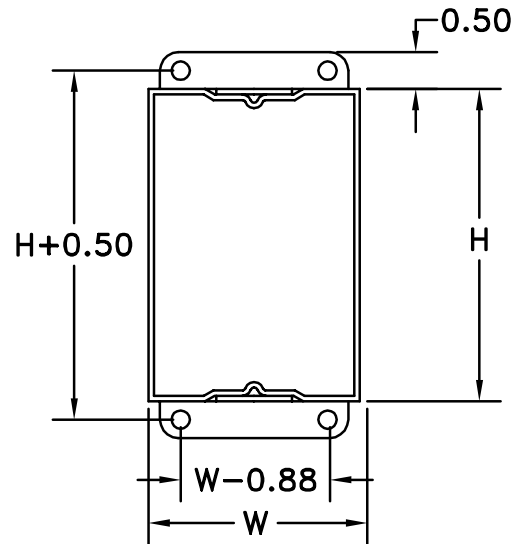
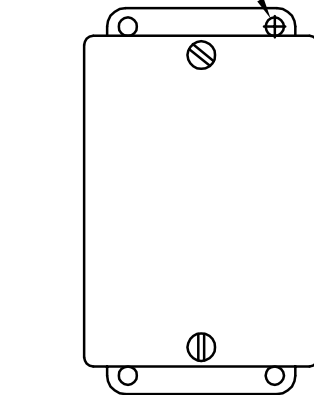
**Finish**

- ANSI 61 gray polyester powder inside and out

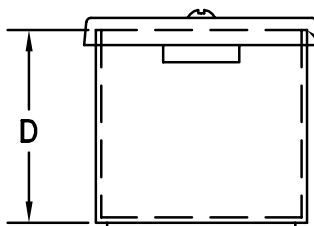
**JIC HANDY SERIES SCREW-COVER ENCLOSURES**

Catalog Number	Enclosure Size HxWxD
JIC040202	4.00x2.00x2.00 (102x51x51)
JIC040302	4.25x2.88x2.63 (108x73x67)
JIC040403	4.00x4.00x3.00 (102x102x76)

Ø0.25 TYP



View Showing Cover Removed



CLOSED CELL GASKETING



**BO604045CHFTC**

**Industry Standards**

UL 50 Listed, 4, 12 & 13  
CSA Certified, Type 12 & 13  
NEMA/EEMAC Type 12 & 13

 UL Files E6924

 CSA File LL66078

**FEATURES-SPECIFICATIONS**

**Applications**

FTC (flange trough collar) enclosures offer unique tub flanges that maximize internal protection. Designed to provide protection from dust, dirt, oil, and water.

**Construction**

- Bodies and doors are fabricated from carbon steel
- Special 360 degree tub flange design diverts contaminants away from tub opening

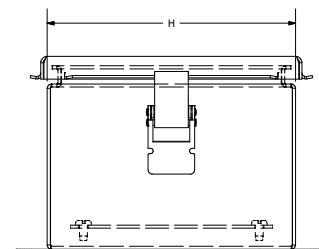
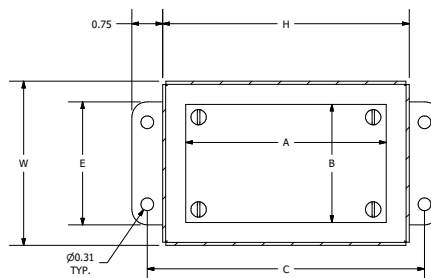
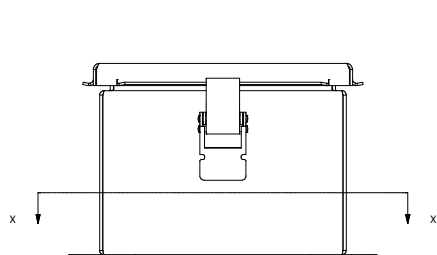
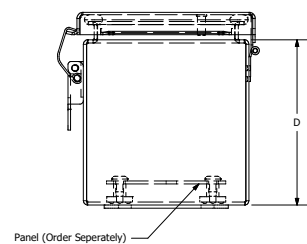
- Continuously hinged door is removable by pulling the hinge pin
- Seams are continuously welded and ground smooth
- Doors are sealed with a poured in place gasket
- External mounting plates on the top and bottom of the enclosure.
- Weldnuts are provided for mounting **optional** back panels
- Special quick-release latches
- Grounding provisions are provided

**Finish**

- ANSI 61 gray polyester powder inside and out
- **Optional** back panels are painted with a white polyester powder
- **Optional** perforated panels are painted with a white polyester powder
- **Optional** "G" panels are pre-galvanized steel
- Back panels (reference table)
- See pages L1-L24

**B-CHFTC JIC ENCLOSURES**

Catalog Number	Back Panel Catalog Number*			Enclosure Size HxWxD
	White	"G"	Perforated	
B0604045CHFTC	P0604	P0604G	P0604PP	6.00x4.00x4.50 (152x102x115)
B0606045CHFTC	P0606	P0606G	P0606PP	6.00x6.00x4.50 (152x102x115)
B0806045CHFTC	P0806	P0806G	P0806PP	8.00x6.00x4.50 (203x152x115)
B1008045CHFTC	P1008	P1008G	P1008PP	10.00x8.00x4.50 (254x203x115)
B1210055CHFTC	P1210	P1210G	P1210PP	12.00x10.00x5.50 (305x254x139)
B1412065CHFTC	P1412	P1412G	P1412PP	14.00x12.00x6.50 (356x305x166)
B1614065CHFTC	P1614	P1614G	P1614PP	16.00x14.00x6.50 (406x356x166)





N12161206

### Industry Standards

UL 508A, Type 12 & 13  
CSA Certified, Type 12  
NEMA/EEMAC Type 12 & 13

 UL Files E64791

 CSA File LL66078

## FEATURES-SPECIFICATIONS

### Applications

Intended for use in housing electrical and electronic controls, instruments, components, and associated wiring. These enclosures incorporate hinged doors which provide convenient access. Designed for indoor use in protecting components from dust, dirt, oil, and water.

### Construction

- Bodies and doors are fabricated from carbon steel
- Seams are continuously welded and ground smooth
- Door and body stiffeners are provided in larger enclosures for added rigidity

- Rolled lip on three sides of the door and all sides of the enclosure opening to exclude liquids and contaminants
- Quick and easy to operate door clamps are provided
- Continuously hinged door is removable by pulling the hinge pin
- Hasp and staple are provided for padlocking
- Doors are sealed with a poured in place gasket
- Collar studs for mounting **optional** back panels are provided
- External mounting feet are provided
- Grounding provisions are provided

### Finish

- ANSI-61 gray polyester powder inside and outside
- **Optional** back panels are painted white with a polyester powder
- **Optional** "G" panels are pre-galvanized steel

### Accessories

- Back panels (reference table)
- See pages L1-L24

### N12 SERIES SINGLE DOOR ENCLOSURES

Catalog Number	Enclosure Size HxWxD	Back Panel Catalog Number*		Back Panel Size A x B	Number of Door Clamps
		White	"G"		
N12122406	12.00x24.00x6.00 (305x610x152)	NP1224	NP1224G	9.00x21.00 (229x533)	2
N12161206	16.00x12.00x6.00 (406x305x152)	NP1612	NP1612G	13.00x9.00 (330x229)	2
N12161606	16.00x16.00x6.00 (406x406x152)	NP1616	NP1616G	13.00x13.00 (330x330)	2
N12162006	16.00x20.00x6.00 (406x508x152)	NP2016	NP2016G	13.00x17.00 (330x432)	2
N12201206	20.00x12.00x6.00 (508x305x152)	NP2012	NP2012G	17.00x9.00 (432x229)	2
N12201606	20.00x16.00x6.00 (508x406x152)	NP2016	NP2016G	17.00x13.00 (432x330)	2
N12202006	20.00x20.00x6.00 (508x508x152)	NP2020	NP2020G	17.00x17.00 (432x432)	2
N12202406	20.00x24.00x6.00 (508x610x152)	NP2420	NP2420G	17.00x21.00 (432x533)	2
N12241206	24.00x12.00x6.00 (610x305x152)	NP1224	NP1224G	21.00x9.00 (533x229)	2
N12241606	24.00x16.00x6.00 (610x406x152)	NP2416	NP2416G	21.00x13.00 (533x330)	2
N12242006	24.00x20.00x6.00 (610x508x152)	NP2420	NP2420G	21.00x17.00 (533x432)	2
N12242406	24.00x24.00x6.00 (610x610x152)	NP2424	NP2424G	21.00x21.00 (533x533)	2
N12301606	30.00x16.00x6.00 (762x406x152)	NP3016	NP3016G	27.00x13.00 (686x330)	2
N12302006	30.00x20.00x6.00 (762x508x152)	NP3020	NP3020G	27.00x17.00 (686x432)	2
N12302406	30.00x24.00x6.00 (762x610x152)	NP3024	NP3024G	27.00x21.00 (686x533)	2
N12362406	36.00x24.00x6.00 (914x610x152)	NP3624	NP3624G	33.00x21.00 (838x533)	2
N12363006	36.00x30.00x6.00 (914x762x152)	NP3630	NP3630G	33.00x27.00 (838x686)	2
N12122408	12.00x24.00x8.00 (305x610x203)	NP1224	NP1224G	9.00x21.00 (229x533)	2
N12161208	16.00x12.00x8.00 (406x305x203)	NP1612	NP1612G	13.00x9.00 (330x229)	2

\*Back panels must be ordered separately.

continued on page C17



**N12 SERIES SINGLE DOOR ENCLOSURES (CONT.)**

Catalog Number	Enclosure Size HxWxD	Back Panel Catalog Number*		Back Panel Size A x B	Number of Door Clamps
		White	"G"		
N12161608	16.00x16.00x8.00 (406x406x203)	NP1616	NP1616G	13.00x13.00 (330x330)	2
N12162008	16.00x20.00x8.00 (406x508x203)	NP2016	NP2016G	13.00x17.00 (330x432)	2
N12201208	20.00x12.00x8.00 (508x305x203)	NP2012	NP2012G	17.00x9.00 (432x229)	2
N12201608	20.00x16.00x8.00 (508x406x203)	NP2016	NP2016G	17.00x13.00 (432x330)	2
N12202008	20.00x20.00x8.00 (508x508x203)	NP2020	NP2020G	17.00x17.00 (432x432)	2
N12202408	20.00x24.00x8.00 (508x610x203)	NP2420	NP2420G	17.00x21.00 (432x533)	2
N12241208	24.00x12.00x8.00 (610x305x203)	NP1224	NP1224G	21.00x9.00 (533x229)	2
N12241608	24.00x16.00x8.00 (610x406x203)	NP2416	NP2416G	21.00x13.00 (533x330)	2
N12242008	24.00x20.00x8.00 (610x508x203)	NP2420	NP2420G	21.00x17.00 (533x432)	2
N12242408	24.00x24.00x8.00 (610x610x203)	NP2424	NP2424G	21.00x21.00 (533x533)	2
N12243008	24.00x30.00x8.00 (610x762x203)	NP3024	NP3024G	21.00x27.00 (533x686)	2
N12302008	30.00x20.00x8.00 (762x508x203)	NP3020	NP3020G	27.00x17.00 (686x432)	2
N12302408	30.00x24.00x8.00 (762x610x203)	NP3024	NP3024G	27.00x21.00 (686x533)	2
N12303008	30.00x30.00x8.00 (762x762x203)	NP3030	NP3030G	27.00x27.00 (686x686)	2
N12303608	30.00x36.00x8.00 (762x914x203)	NP3630	NP3630G	27.00x33.00 (686x838)	2
N12362408	36.00x24.00x8.00 (914x610x203)	NP3624	NP3624G	33.00x21.00 (838x533)	2
N12363008	36.00x30.00x8.00 (914x762x203)	NP3630	NP3630G	33.00x27.00 (838x686)	2
N12363608	36.00x36.00x8.00 (914x914x203)	NP3636	NP3636G	33.00x33.00 (838x838)	2
N12422408	42.00x24.00x8.00 (1067x610x203)	NP4224	NP4224G	39.00x21.00 (991x533)	3
N12423008	42.00x30.00x8.00 (1067x762x203)	NP4230	NP4230G	39.00x27.00 (991x686)	3
N12423608	42.00x36.00x8.00 (1067x914x203)	NP4236	NP4236G	39.00x33.00 (991x838)	3
N12482408	48.00x24.00x8.00 (1219x610x203)	NP4824	NP4824G	45.00x21.00 (1143x533)	3
N12483008	48.00x30.00x8.00 (1219x762x203)	NP4830	NP4830G	45.00x27.00 (1143x686)	3
N12483608	48.00x36.00x8.00 (1219x914x203)	NP4836	NP4836G	45.00x33.00 (1143x838)	3
N12603608	60.00x36.00x8.00 (1524x914x203)	NP6036	NP6036G	57.00x33.00 (1448x838)	3
N12161210	16.00x12.00x10.00 (406x305x254)	NP1612	NP1612G	13.00x9.00 (330x229)	2
N12201610	20.00x16.00x10.00 (508x406x254)	NP2016	NP2016G	17.00x13.00 (432x330)	2
N12202010	20.00x20.00x10.00 (508x508x254)	NP2020	NP2020G	17.00x17.00 (432x432)	2
N12241210	24.00x12.00x10.00 (610x305x254)	NP2412	NP2412G	21.00x9.00 (533x229)	2
N12242010	24.00x20.00x10.00 (610x508x254)	NP2420	NP2420G	21.00x17.00 (533x432)	2
N12242410	24.00x24.00x10.00 (610x610x254)	NP2424	NP2424G	21.00x21.00 (533x533)	2
N12302010	30.00x20.00x10.00 (762x508x254)	NP3020	NP3020G	27.00x17.00 (686x432)	2
N12302410	30.00x24.00x10.00 (762x610x254)	NP3024	NP3024G	27.00x21.00 (686x533)	2
N12362410	36.00x24.00x10.00 (914x610x254)	NP3624	NP3624G	33.00x21.00 (838x533)	2
N12363010	36.00x30.00x10.00 (914x762x254)	NP3630	NP3630G	33.00x27.00 (838x686)	2
N12423010	42.00x30.00x10.00 (1067x762x254)	NP4230	NP4230G	39.00x27.00 (991x686)	3
N12423610	42.00x36.00x10.00 (1067x914x254)	NP4236	NP4236G	39.00x33.00 (991x838)	3
N12483010	48.00x30.00x10.00 (1219x762x254)	NP4830	NP4830G	45.00x27.00 (1143x686)	3
N12483610	48.00x36.00x10.00 (1219x914x254)	NP4836	NP4836G	45.00x33.00 (1143x838)	3
N12603610	60.00x36.00x10.00 (1524x914x254)	NP6036	NP6036G	57.00x33.00 (1448x838)	3
N12201612	20.00x16.00x12.00 (508x406x305)	NP2016	NP2016G	17.00x13.00 (432x330)	2
N12242012	24.00x20.00x12.00 (610x508x305)	NP2420	NP2420G	21.00x17.00 (533x432)	2
N12242412	24.00x24.00x12.00 (610x610x305)	NP2424	NP2424G	21.00x21.00 (533x533)	2
N12302412	30.00x24.00x12.00 (762x610x305)	NP3024	NP3024G	27.00x21.00 (686x533)	2
N12303012	30.00x30.00x12.00 (762x762x305)	NP3030	NP3030G	27.00x27.00 (686x686)	2

\*Back panels must be ordered separately.

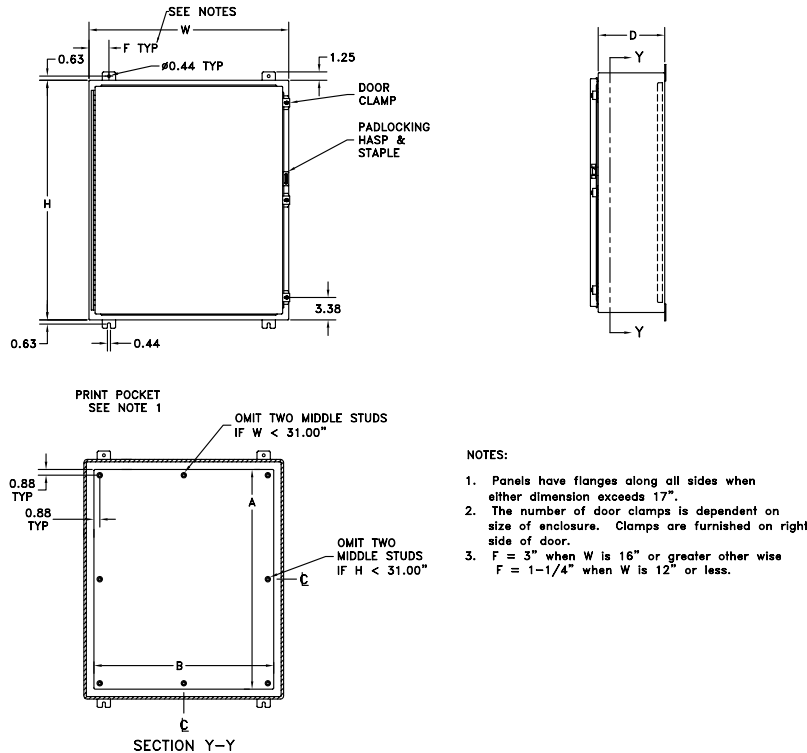
continued on page C18

## N12 SERIES ENCLOSURES NEMA 12 SINGLE DOOR WALL-MOUNT

### N12 SERIES SINGLE DOOR ENCLOSURES (CONT.)

Catalog Number	Enclosure Size HxWxD	Back Panel Catalog Number*		Back Panel Size A x B	Number of Door Clamps
		White	"G"		
N12362412	36.00x24.00x12.00 (914x610x305)	NP3624	NP3624G	33.00x21.00 (838x533)	2
N12363012	36.00x30.00x12.00 (914x762x305)	NP3630	NP3630G	33.00x27.00 (838x686)	2
N12363612	36.00x36.00x12.00 (914x914x305)	NP3636	NP3636G	33.00x33.00 (838x838)	2
N12423012	42.00x30.00x12.00 (1067x762x305)	NP4230	NP4230G	39.00x27.00 (991x686)	3
N12423612	42.00x36.00x12.00 (1067x914x305)	NP4236	NP4236G	39.00x33.00 (991x838)	3
N12483612	48.00x36.00x12.00 (1219x914x305)	NP4836	NP4836G	45.00x33.00 (1143x838)	3
N12603612	60.00x36.00x12.00 (1524x914x305)	NP6036	NP6036G	57.00x33.00 (1448x838)	3
N12723012	72.00x30.00x12.00 (1829x762x305)	NP7230	NP7230G	69.00x27.00 (1753x686)	4
N12723612	72.00x36.00x12.00 (1829x914x305)	NP7236	NP7236G	69.00x33.00 (1753x838)	4
N12242016	24.00x20.00x16.00 (610x508x406)	NP2420	NP2420G	21.00x17.00 (533x432)	2
N12242416	24.00x24.00x16.00 (610x610x406)	NP2424	NP2424G	21.00x21.00 (533x533)	2
N12302416	30.00x24.00x16.00 (762x610x406)	NP3024	NP3024G	27.00x21.00 (686x533)	2
N12363016	36.00x30.00x16.00 (914x762x406)	NP3630	NP3630G	33.00x27.00 (838x686)	2
N12423616	42.00x36.00x16.00 (1067x914x406)	NP4236	NP4236G	39.00x33.00 (991x838)	3
N12483616	48.00x36.00x16.00 (1219x914x406)	NP4836	NP4836G	45.00x33.00 (1143x838)	3
N12603616	60.00x36.00x16.00 (1524x914x406)	NP6036	NP6036G	57.00x33.00 (1448x838)	3
N12723016	72.00x30.00x16.00 (1829x762x406)	NP7230	NP7230G	69.00x27.00 (1753x686)	4
N12302420	30.00x24.00x20.00 (762x610x508)	NP3024	NP3024G	27.00x21.00 (686x533)	2
N12363020	36.00x30.00x20.00 (914x762x508)	NP3630	NP3630G	33.00x27.00 (838x686)	2
N12483620	48.00x36.00x20.00 (1219x914x508)	NP4836	NP4836G	45.00x33.00 (1143x838)	3
N12603620	60.00x36.00x20.00 (1524x914x508)	NP6036	NP6036G	57.00x33.00 (1448x838)	3
N12302424	30.00x24.00x24.00 (762x610x610)	NP3024	NP3024G	27.00x21.00 (686x533)	2

\*Back panels must be ordered separately.





**WA244808WF**

**Industry Standards**  
UL 508A, Type 12  
CSA Certified, Type 12  
NEMA/EEMAC Type 12

 UL Files E64791

 CSA File LL66078

**FEATURES-SPECIFICATIONS**

**Applications**

Intended for use in housing electronic controls, instruments, components, and associated wiring. These enclosures incorporate hinged doors which provide convenient access. Designed for indoor use in protecting components from dust, dirt, oil, and water.

**Construction**

- Bodies and doors are fabricated from carbon steel
- Seams are continuously welded and ground smooth

- Rolled lip around all sides of the enclosure opening to exclude liquids and contaminants
- Special overlapping door design eliminates the need for a center post
- 3-point latching mechanism operates with an oil-tight locking handle
- Continuously hinged door is removable by pulling the hinge pin
- Doors are sealed with a poured in place gasket
- Collar studs for mounting **optional** back panels are provided
- External mounting feet are provided
- Grounding provisions are provided

**Finish**

- ANSI-61 gray polyester powder inside and out
- **Optional** back panels are painted with a white polyester powder
- **Optional** “G” panels are pre-galvanized steel

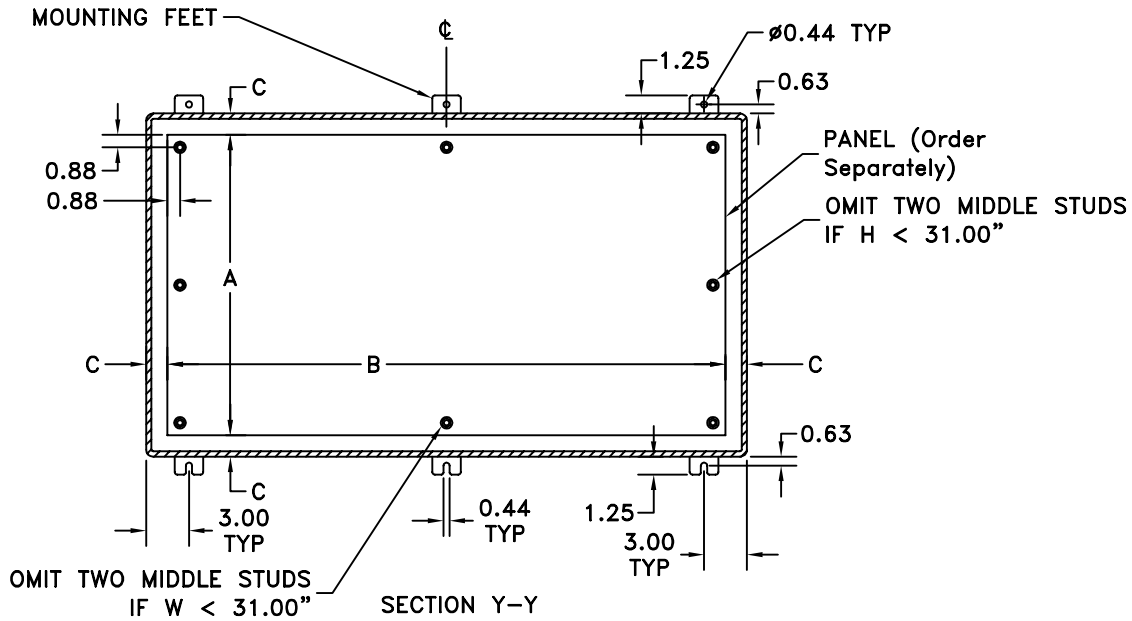
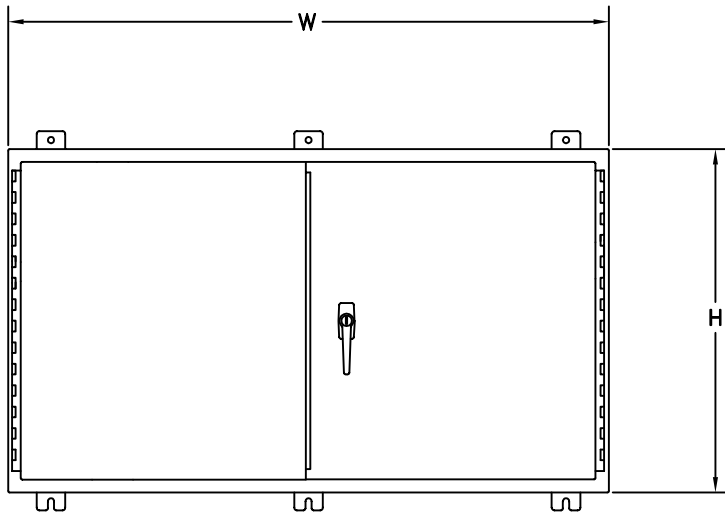
**Accessories**

- Back panels (reference table)
- See pages L1-L24

**WA-WF SERIES TWO DOOR ENCLOSURES**

Catalog Number	Enclosure Size HxWxD	Back Panel Catalog Number*		Back Panel Size A x B	C
		White	“G”		
WA244208WF	24.00x42.00x8.00 (610x1067x203)	NP4224	NP4224G	39.00x21.00 (991x533)	1.50 (38)
WA244808WF	24.00x48.00x8.00 (610x1219x203)	NP4824	NP4824G	21.00x45.00 (533x1143)	1.50 (38)
WA304210WF	30.00x42.00x10.00 (762x1067x254)	NP4230	NP4230G	27.00x39.00 (686x991)	1.50 (38)
WA304810WF	30.00x48.00x10.00 (762x1219x254)	NP4830	NP4830G	45.00x27.00 (1143x686)	1.50 (38)
WA306010WF	30.00x60.00x10.00 (762x1524x254)	NP6030	NP6030G	27.00x57.00 (686x1448)	1.50 (38)
WA364212WF	36.00x42.00x12.00 (914x1067x305)	NP4236	NP4236G	33.00x39.00 (838x991)	1.50 (38)
WA364812WF	36.00x48.00x12.00 (914x1219x305)	NP4836	NP4836G	33.00x45.00 (838x1143)	1.50 (38)
WA366012WF	36.00x60.00x12.00 (914x1524x305)	NP6036	NP6036G	33.00x57.00 (838x1448)	1.50 (38)
WA424212WF	42.00x42.00x12.00 (1067x1067x305)	NPDD4242	NPDD4242G	39.00x39.00 (991x991)	1.50 (38)
WA424812WF	42.00x48.00x12.00 (1067x1219x305)	NPDD4842	NPDD4842G	39.00x45.00 (991x1143)	1.50 (38)
WA426012WF	42.00x60.00x12.00 (1067x1524x305)	NPDD4260	NPDD4260G	38.00x56.00 (965x1422)	2.00 (51)
WA484812WF	48.00x48.00x12.00 (1219x1219x305)	NPDD4848	NPDD4848G	44.00x44.00 (1118x1118)	2.00 (51)

\*Back panels must be ordered separately.






**WA202006FM**

**Industry Standards**

UL 508A, Type 12 & 13  
CSA Certified, Type 12  
NEMA/EEMAC Type 12 & 13

 UL File E64791

 CSA File LL66078

**FEATURES-SPECIFICATIONS**

**Applications**

Designed to house electrical controls, terminals and instruments. Provides protection from dirt, dust, oil and water. External frame allows enclosure to be recessed in a wall. Enclosure is used in applications where external space is limited or in high traffic areas.

**Construction**

- Bodies and doors are fabricated from carbon steel. Steel mounting frame extends completely around the enclosure

- Seams are continuously welded and ground smooth
- Rolled lip around all sides of the enclosure opening to exclude liquids and contaminants
- Doors are held closed with captivated screws threaded into sealed wells
- Doors are sealed with a poured in place gasket
- Collar studs for mounting **optional** back panels are provided
- Continuously hinged door is removable by pulling the hinge pin
- Grounding provisions are provided

**Finish**

- ANSI 61 gray polyester powder inside and out
- **Optional** back panels are painted with a white polyester powder

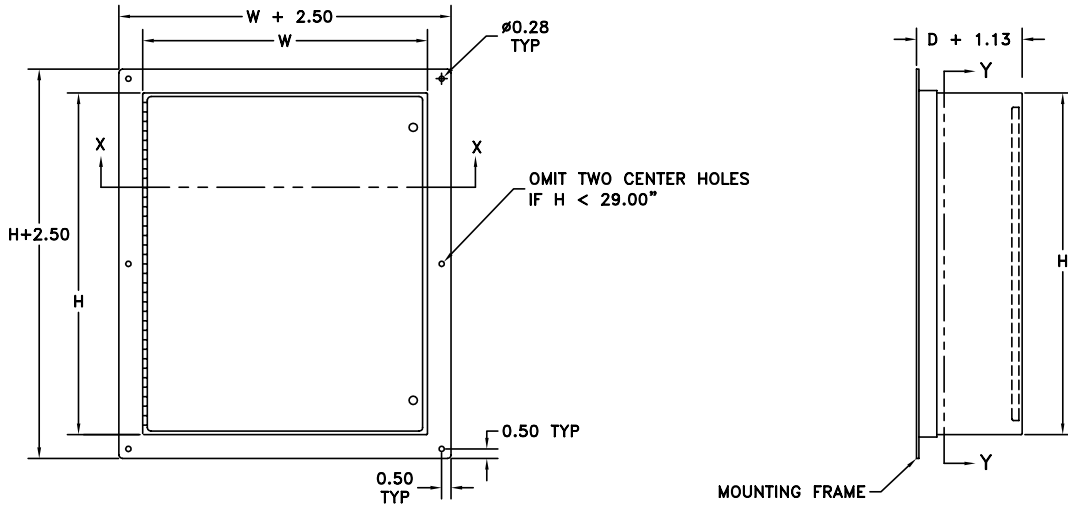
**Accessories**

- Back panels (reference table)
- See pages L1-L24

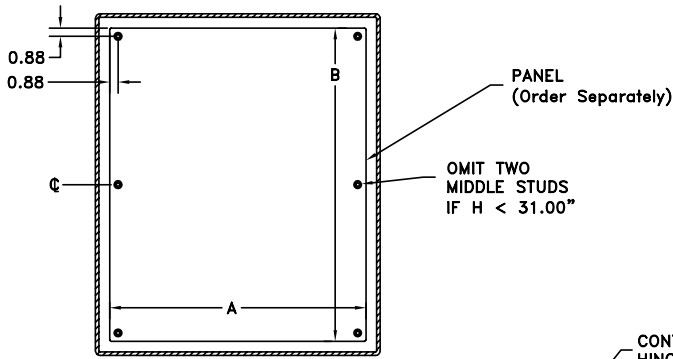
**WA-FM SERIES FLUSH-MOUNT ENCLOSURES**

Catalog Number	Enclosure Size HxWxD	Back Panel Catalog Number*	Back Panel Size A x B
WA161206FM	16.00x12.00x6.00 (406x305x152)	NP1612	9.00x13.00 (229x330)
WA202006FM	20.00x20.00x6.00 (508x508x152)	NP2020	17.00x17.00 (432x432)
WA242408FM	24.00x24.00x8.00 (610x610x203)	NP2424	21.00x21.00 (533x533)
WA302408FM	30.00x24.00x8.00 (762x610x203)	NP3024	21.00x27.00 (533x686)
WA363008FM	36.00x30.00x8.00 (914x762x203)	NP3630	27.00x33.00 (686x838)

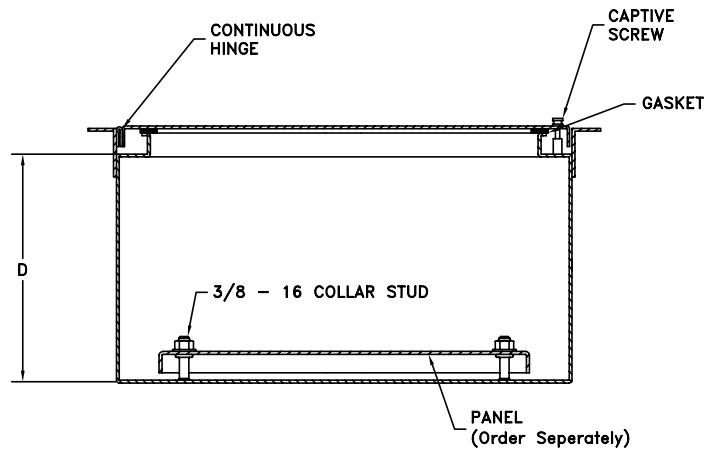
\*Back panels must be ordered separately.



PRINT POCKET  
SEE NOTE 1



SECTION Y-Y



SECTION X-X

## N12 SERIES ENCLOSURES NEMA 12 TWO DOOR FLOOR-MOUNT



N12544208

### Industry Standards

UL 508A, Type 12  
CSA Certified, Type 12  
NEMA/EEMAC Type 12

 UL Files E64791

 CSA File LL66078

## FEATURES-SPECIFICATIONS

### Applications

Designed to protect electronic controls, components, and instruments in typical industrial environments from dust, dirt, oil, and dripping water. These enclosures are used in machine tool applications for housing motor starters, drives, contactors, PLC's, as well as a wide variety of other electrical and electronic equipment found in automotive, pulp and paper, wood products, textile, and similar industries.

### Construction

- Bodies, doors, and feet are fabricated from carbon steel
- Seams are continuously welded and ground smooth

- Heavy gauge continuous hinges support each door
- Special overlapping door design eliminates the need for a center post
- 3-point Keylocking/Padlocking combo handle
- Standard 12" high floor kits are welded to the bottom of the enclosure
- Heavy-duty lifting eyes are provided
- Strong, rigid construction with body stiffeners
- Doors are sealed with a poured in place gasket
- Grounding provisions are provided
- Back panel supports are provided
- Collar studs for mounting **optional** back panels are provided

### Finish

- ANSI-61 gray polyester powder inside and out
- **Optional** back panels are painted with a white polyester powder
- **Optional** "G" panels are pre-galvanized steel

### Accessories

- Back panels (reference table)
- See pages L1-L24

### N12 SERIES TWO DOOR FLOOR-MOUNT ENCLOSURES

Catalog Number	Enclosure Size HxWxD	Back Panel Catalog Number*		Back Panel Size A x B
		White	"G"	
N12544208	54.12x42.12x8.12 (1375x1070x206)	NPDD5442	NPDD5442G	50.00x38.00 (1270x965)
N12604808	60.12x48.12x8.12 (1527x1222x206)	NPDD6048	NPDD6048G	56.00x44.00 (1422x1118)
N12604810	60.12x48.12x10.12 (1527x1222x257)	NPDD6048	NPDD6048G	56.00x44.00 (1422x1118)
N12606010	60.12x60.12x10.12 (1527x1527x257)	NPDD6060	NPDD6060G	56.00x56.00 (1422x1422)
N12726010	72.12x60.12x10.12 (1832x1527x257)	NPDD7260	NPDD7260G	68.00x56.00 (1727x1422)
N12727210	72.12x72.12x10.12 (1832x1832x257)	NPDD7272	NPDD7272G	68.00x68.00 (1727x1727)
N12604812	60.12x48.12x12.12 (1527x1222x308)	NPDD6048	NPDD6048G	56.00x44.00 (1422x1118)
N12606012	60.12x60.12x12.12 (1527x1527x308)	NPDD6060	NPDD6060G	56.00x56.00 (1422x1422)
N12726012	72.12x60.12x12.12 (1832x1527x308)	NPDD7260	NPDD7260G	68.00x56.00 (1727x1422)
N12727212	72.12x72.12x12.12 (1832x1832x308)	NPDD7272	NPDD7272G	68.00x68.00 (1727x1727)
N12604816	60.12x48.12x16.12 (1527x1222x409)	NPDD6048	NPDD6048G	56.00x44.00 (1422x1118)
N12606016	60.12x60.12x16.12 (1527x1527x409)	NPDD6060	NPDD6060G	56.00x56.00 (1422x1422)
N12726016	72.12x60.12x16.12 (1832x1527x409)	NPDD7260	NPDD7260G	68.00x56.00 (1727x1422)

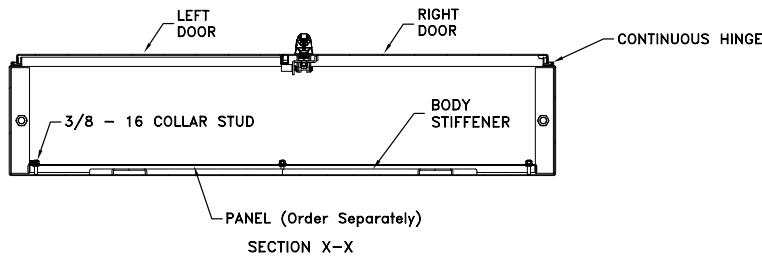
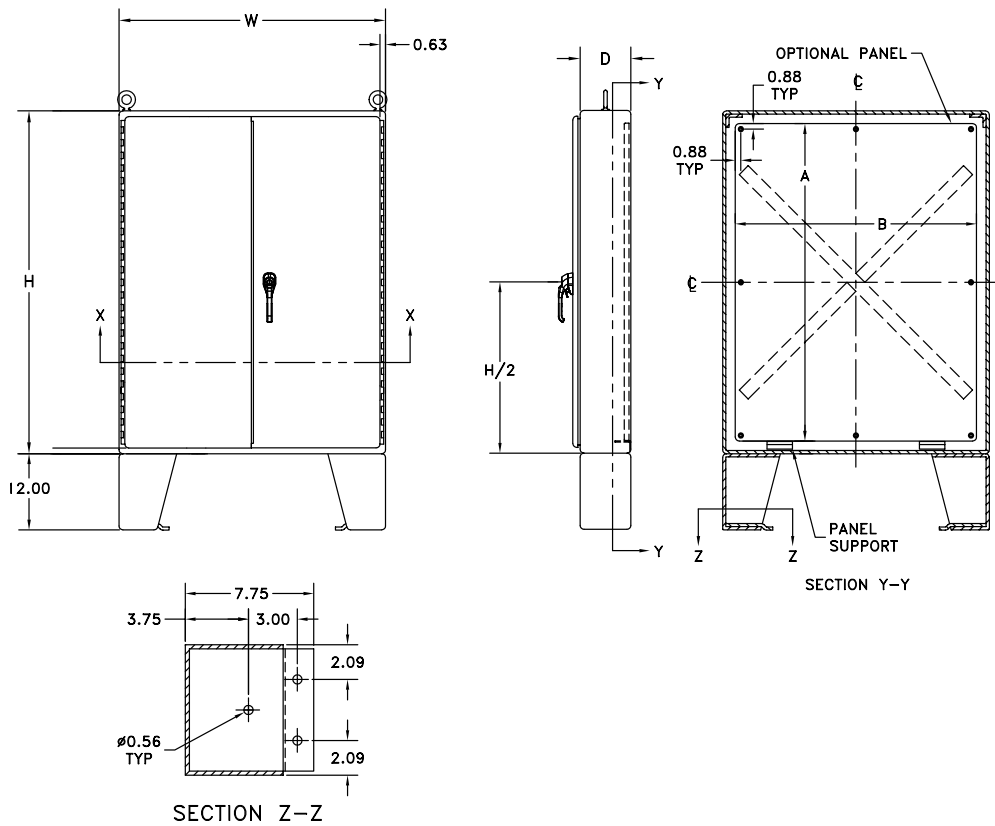
continued on page C24

**N12 SERIES ENCLOSURES  
NEMA 12 TWO DOOR FLOOR-MOUNT**

**N12 SERIES TWO DOOR FLOOR-MOUNT ENCLOSURES (CONT.)**

Catalog Number	Enclosure Size HxWxD	Back Panel Catalog Number*		Back Panel Size A x B
		White	"G"	
N12727216	72.12x72.12x16.12 (1832x1832x409)	NPDD7272	NPDD7272G	68.00x68.00 (1727x1727)
N12604820	60.12x48.12x20.12 (1527x1222x511)	NPDD6048	NPDD6048G	56.00x44.00 (1422x1118)
N12726020	72.12x60.12x20.12 (1832x1527x511)	NPDD7260	NPDD7260G	68.00x56.00 (1727x1422)
N12727220	72.12x72.12x20.12 (1832x1832x511)	NPDD7272	NPDD7272G	68.00x68.00 (1727x1727)
N12604824	60.12x48.12x24.12 (1527x1222x613)	NPDD6048	NPDD6048G	56.00x44.00 (1422x1118)
N12606024	60.12x60.12x24.12 (1527x1527x613)	NPDD6060	NPDD6060G	56.00x56.00 (1422x1422)
N12726024	72.12x60.12x24.12 (1832x1527x613)	NPDD7260	NPDD7260G	68.00x56.00 (1727x1422)
N12727224	72.12x72.12x24.12 (1832x1832x613)	NPDD7272	—	68.00x68.00 (1727x1727)

\*Back panels must be ordered separately.








**WA603624FS**

**Industry Standards**

UL 508A, Type 12  
CSA Certified, Type 12  
NEMA/EEMAC Type 12

 UL Files E64791

 CSA File LL66078

**FEATURES-SPECIFICATIONS**

**Applications**

Designed to protect electronic controls, components, and instruments in typical industrial environments from dust, dirt, oil, and dripping water. These enclosures are used in machine tool applications for housing motor starters, drives, contactors, PLC's, as well as a wide variety of other electrical and electronic equipment. The addition of 19-inch rack mounting accessories make these enclosures ideal for providing rugged protection for sensitive rack mounted components in harsh industrial environments. The enclosures are found extensively in automotive, pulp and paper, wood products, textile, and similar industries.

Four styles are available to provide maximum flexibility:

- a) Single Door Single Access (single door on front)

- b) Single Door Dual Access (single door on front and back)
- c) Two Door Single Access (overlapping doors on front)
- d) Two Door Dual Access (overlapping doors on front and back)

**Construction**

- Bodies and doors are fabricated from carbon steel
- Seams are continuously welded and ground smooth
- Heavy-duty lifting eyes for easy handling
- Heavy gauge continuous hinges support each door
- 3-point Keylocking/Padlocking combo handle
- Mounting channels are welded horizontally to the interior body to allow back panels to be positioned in the enclosure. **Optional** swing

panels and rack angles can be mounted anywhere along the mounting channel

- Doors are sealed with a poured in place gasket
- Stiffeners are welded to the back of two door enclosures to maintain flatness and increase rigidity
- Grounding provisions are provided

**Finish**

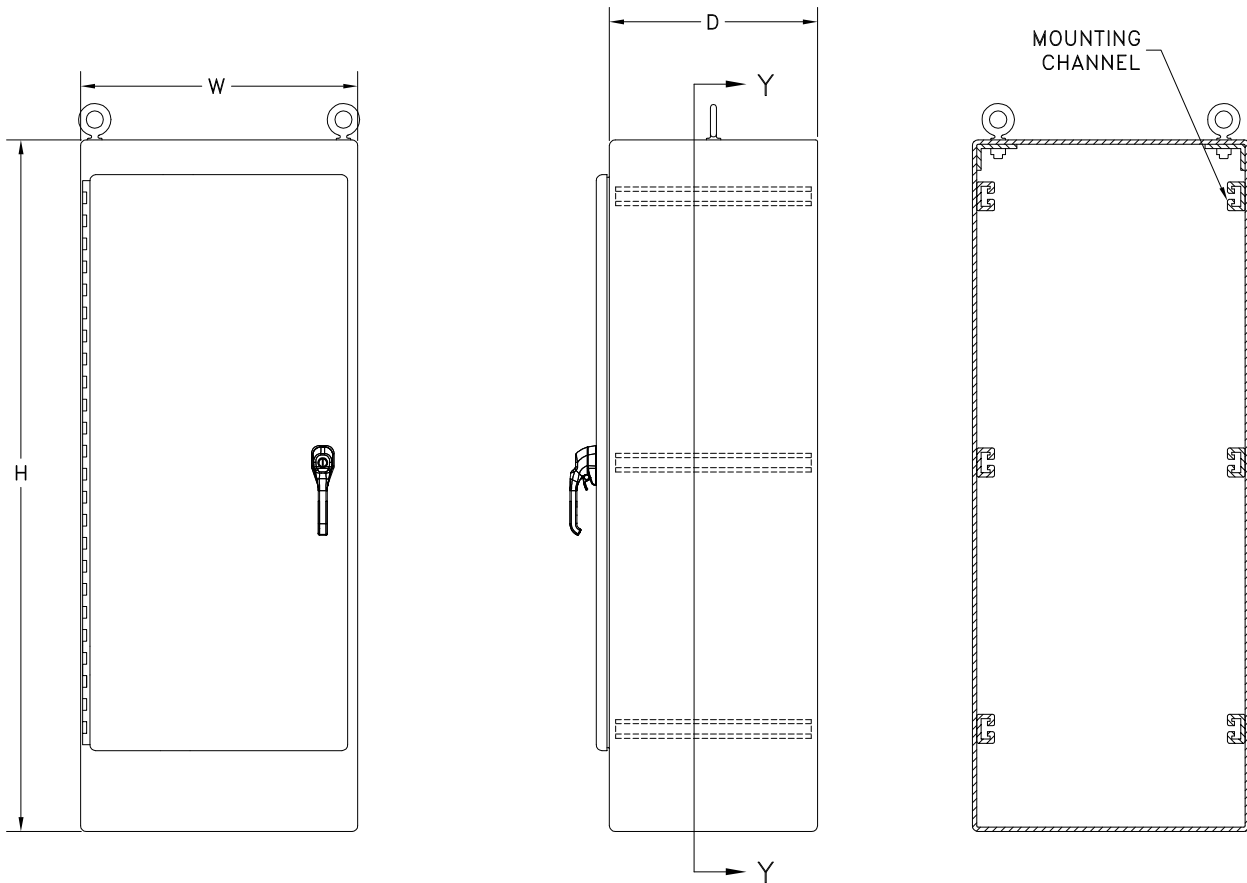
- ANSI 61 gray polyester powder inside and out
- **Optional** back panels are painted with a white polyester powder
- **Optional** "G" are pre-galvanized steel

**Accessories**

- See pages L1-L24

**WA-FS SERIES FREESTANDING SINGLE DOOR ENCLOSURE (SEE PAGE C30 FOR BACK PANEL DIMENSIONS)**

Catalog Number	Enclosure Size HxWxD		Back Panel Catalog Number			
			White		Galvanized	
			Full	Half	Full	Half
WA602418FS	60.12x24.12x18.12	(1527x613x460)	WA60P24F1	WA60P24F2	WA60P24F1G	WA60P24F2G
WA722418FS	72.12x24.12x18.12	(1832x613x460)	WA72P24F1	WA72P24F2	WA72P24F1G	WA72P24F2G
WA723018FS	72.12x30.12x18.12	(1832x765x460)	WA72P30F1	WA72P30F2	WA72P30F1G	WA72P30F2G
WA723618FS	72.12x36.12x18.12	(1832x917x460)	WA72P36F1	WA72P36F2	WA72P36F1G	WA72P36F2G
WA902420FS	90.12x24.12x20.12	(2289x613x511)	WA90P24F1	WA90P24F2	WA90P24F1G	WA90P24F2G
WA903620FS	90.12x36.12x20.12	(2289x917x511)	WA90P36F1	WA90P36F2	WA90P36F1G	WA90P36F2G
WA603624FS	60.12x36.12x24.12	(1527x917x613)	WA60P36F1	WA60P36F2	WA60P36F1G	WA60P36F2G
WA722424FS	72.12x24.12x24.12	(1832x613x613)	WA72P24F1	WA72P24F2	WA72P24F1G	WA72P24F2G
WA723024FS	72.12x30.12x24.12	(1832x765x613)	WA72P30F1	WA72P30F2	WA72P30F1G	WA72P30F2G
WA723624FS	72.12x36.12x24.12	(1832x917x613)	WA72P36F1	WA72P36F2	WA72P36F1G	WA72P36F2G
WA903624FS	90.12x36.12x24.12	(2289x917x613)	WA90P36F1	WA90P36F2	WA90P36F1G	WA90P36F2G
WA723630FS	72.12x36.12x30.12	(1832x917x765)	WA72P36F1	WA72P36F2	WA72P36F1G	WA72P36F2G
WA723636FS	72.12x36.12x36.12	(1832x917x917)	WA72P36F1	WA72P36F2	WA72P36F1G	WA72P36F2G
WA903636FS	90.12x36.12x36.12	(2289x917x917)	WA90P36F1	WA90P36F2	WA90P36F1G	WA90P36F2G



SECTION Y-Y




**WA604818FSD**

**Industry Standards**

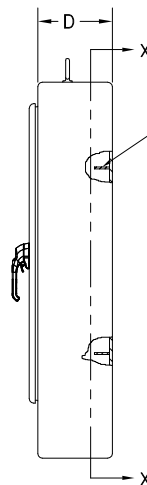
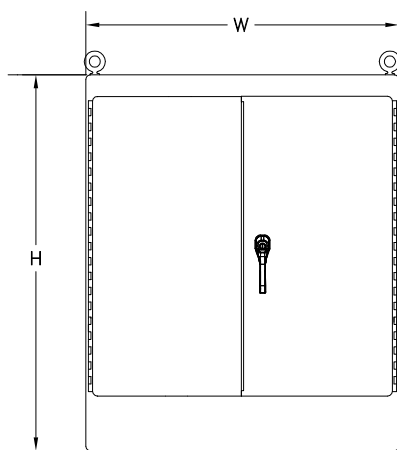
UL 508A, Type 12  
CSA Certified, Type 12  
NEMA/EEMAC Type 12

 UL Files E64791

 CSA File LL66078

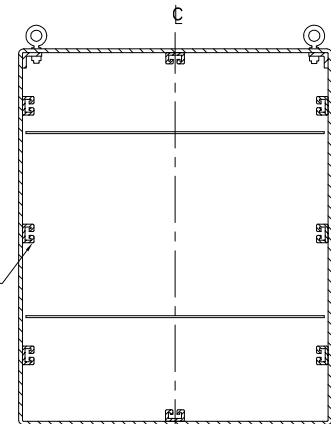
**WA-FSD SERIES FREESTANDING TWO DOOR ENCLOSURES (SEE PAGE C30 FOR BACK PANEL DIMENSIONS)**

Catalog Number	Enclosure Size HxWxD		Back Panel Catalog Number			
			White		Galvanized	
			Full	Half	Full	Half
WA604818FSD	60.12x48.12x18.12	(1527x1222x460)	WA60P48F1	WA60P48F2	WA60P48F1G	WA60P48F2G
WA724818FSD	72.12x48.12x18.12	(1832x1222x460)	WA72P48F1	WA72P48F2	WA72P48F1G	WA72P48F2G
WA726018FSD	72.12x60.12x18.12	(1832x1527x460)	WA72P60F1	WA72P60F2	WA72P60F1G	WA72P60F2G
WA727218FSD	72.12x72.12x18.12	(1832x1832x460)	WA72P72F1	WA72P72F2	WA72P72F1G	WA72P72F2G
WA904820FSD	90.12x48.12x20.12	(2289x1222x511)	WA90P48F1	WA90P48F2	WA90P48F1G	WA90P48F2G
WA907220FSD	90.12x72.12x20.12	(2289x1832x511)	WA90P72F1	WA90P72F2	WA90P72F1G	WA90P72F2G
WA724824FSD	72.12x48.12x24.12	(1832x1222x613)	WA72P48F1	WA72P48F2	WA72P48F1G	WA72P48F2G
WA726024FSD	72.12x60.12x24.12	(1832x1527x613)	WA72P60F1	WA72P60F2	WA72P60F1G	WA72P60F2G
WA727224FSD	72.12x72.12x24.12	(1832x1832x613)	WA72P72F1	WA72P72F2	WA72P72F1G	WA72P72F2G
WA907224FSD	90.12x72.12x24.12	(2289x1832x613)	WA90P72F1	WA90P72F2	WA90P72F1G	WA90P72F2G
WA726036FSD	72.12x60.12x36.12	(1832x1527x917)	WA72P60F1	WA72P60F2	WA72P60F1G	WA72P60F2G
WA907236FSD	90.12x72.12x36.12	(2289x1832x917)	WA90P72F1	WA90P72F2	WA90P72F1G	WA90P72F2G



BODY STIFFENER

MOUNTING CHANNEL



SECTION X-X

**WA-FSDA SERIES ENCLOSURES  
NEMA 12 SINGLE DOOR DUAL ACCESS FREESTANDING**



**WA722424FSDA**

**Industry Standards**

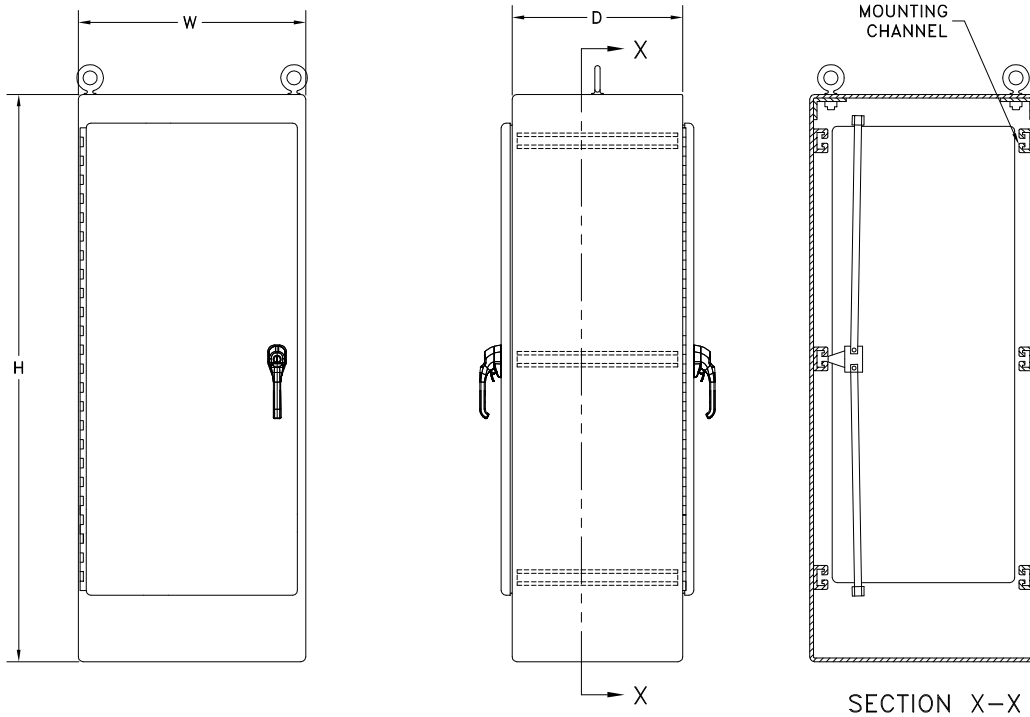
UL 508A, Type 12  
CSA Certified, Type 12  
NEMA/EEMAC Type 12

UL Files E64791

CSA File LL66078

**WA-FSDA SERIES FREESTANDING SINGLE DOOR DUAL ACCESS ENCLOSURES (SEE PAGE C30 FOR BACK PANEL DIMENSIONS)**

Catalog Number	Enclosure Size HxWxD		Back Panel Catalog Number			
			White		Galvanized	
			Full	Half	Full	Half
WA722424FSDA	72.12x24.12x24.25	(1832x613x616)	WA72P24F1	WA72P24F2	WA72P24F1G	WA72P24F2G
WA723024FSDA	72.12x30.12x24.25	(1832x765x616)	WA72P30F1	WA72P30F2	WA72P30F1G	WA72P30F2G
WA723624FSDA	72.12x36.12x24.25	(1832x917x616)	WA72P36F1	WA72P36F2	WA72P36F1G	WA72P36F2G
WA903624FSDA	90.12x36.12x24.25	(2289x917x616)	WA90P36F1	WA90P36F2	WA90P36F1G	WA90P36F2G
WA722430FSDA	72.12x24.12x30.25	(1832x613x768)	WA72P24F1	WA72P24F2	WA72P24F1G	WA72P24F2G
WA722436FSDA	72.12x24.12x36.25	(1832x613x921)	WA72P24F1	WA72P24F2	WA72P24F1G	WA72P24F2G
WA723636FSDA	72.12x36.12x36.25	(1832x917x921)	WA72P36F1	WA72P36F2	WA72P36F1G	WA72P36F2G
WA903636FSDA	90.12x36.12x36.25	(2289x917x921)	WA90P36F1	WA90P36F2	WA90P36F1G	WA90P36F2G




**WA-FSDAD SERIES ENCLOSURES  
NEMA 12 TWO DOOR DUAL ACCESS FREESTANDING**



**WA726024FSDAD**

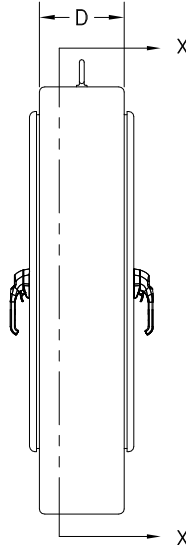
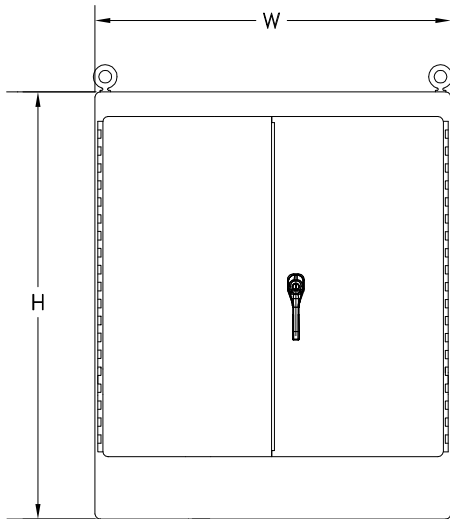
**Industry Standards**  
UL 508A, Type 12  
CSA Certified, Type 12  
NEMA/EEMAC Type 12

 UL Files E64791

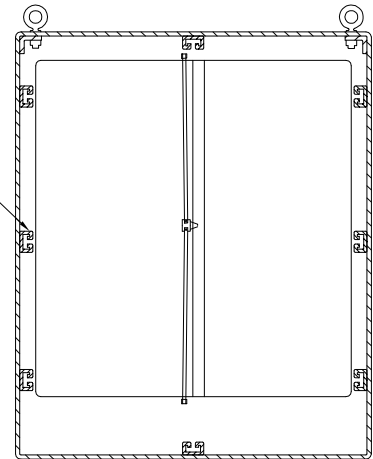
 CSA File LL66078

**WA-FSDAD SERIES FREESTANDING TWO DOOR DUAL ACCESS ENCLOSURES (SEE PAGE C30 FOR BACK PANEL DIMENSIONS)**

Catalog Number	Enclosure Size HxWxD		Back Panel Catalog Number			
			White		Galvanized	
			Full	Half	Full	Half
WA724824FSDAD	72.12x48.12x24.25	(1832x1222x616)	WA72P48F1	WA72P48F2	WA72P48F1G	WA72P48F2G
WA726024FSDAD	72.12x60.12x24.25	(1832x1527x616)	WA72P60F1	WA72P60F2	WA72P60F1G	WA72P60F2G
WA727224FSDAD	72.12x72.12x24.25	(1832x1832x616)	WA72P72F1	WA72P72F2	WA72P72F1G	WA72P72F2G
WA907224FSDAD	90.12x72.12x24.25	(2289x1832x616)	WA90P72F1	WA90P72F2	WA90P72F1G	WA90P72F2G
WA726036FSDAD	72.12x60.12x36.25	(1832x1527x921)	WA72P60F1	WA72P60F2	WA72P60F1G	WA72P60F2G



MOUNTING CHANNEL



SECTION X-X

REGULAR PANELS ONLY (FULL & HALF) NEMA 4 & 12 SINGLE DOOR

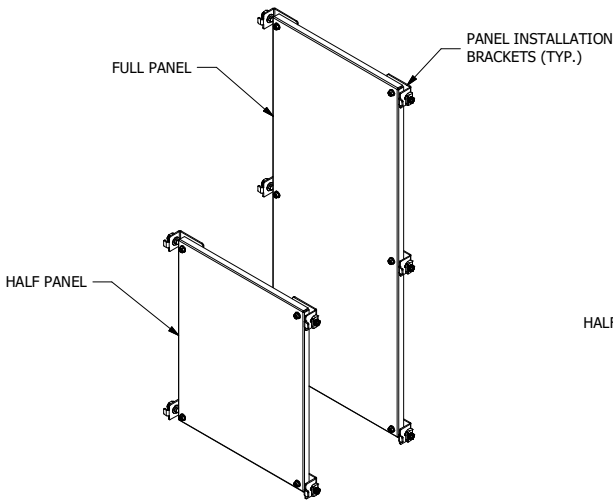
Catalog Number		Panel Size A x B
White	"G"	
WA60P24F1	WA60P24F1G	48.00x20.00 (1219x508A)
WA60P24F2	WA60P24F2G	24.88x20.00 (632x508A)
WA72P24F1	WA72P24F1G	60.00x20.00 (1524x508A)
WA72P24F2	WA72P24F2G	30.88x20.00 (784x508A)
WA90P24F1	WA90P24F1G	78.00x20.00 (1981x508A)
WA90P24F2	WA90P24F2G	39.88x20.00 (1013x508A)
WA72P30F1	WA72P30F1G	60.00x26.00 (1524x660)
WA72P30F2	WA72P30F2G	30.88x26.00 (784x660)
WA60P36F1	WA60P36F1G	48.00x32.00 (1219x813)
WA60P36F2	WA60P36F2G	24.88x32.00 (632x813)
WA72P36F1	WA72P36F1G	60.00x32.00 (1524x813)
WA72P36F2	WA72P36F2G	30.88x32.00 (784x813)
WA90P36F1	WA90P36F1G	78.00x32.00 (1981x813)
WA90P36F2	WA90P36F2G	39.88x32.00 (1013x813)

NOTE: If used in a Two Door Enclosure, a center panel support must be ordered.  
(See page C31)

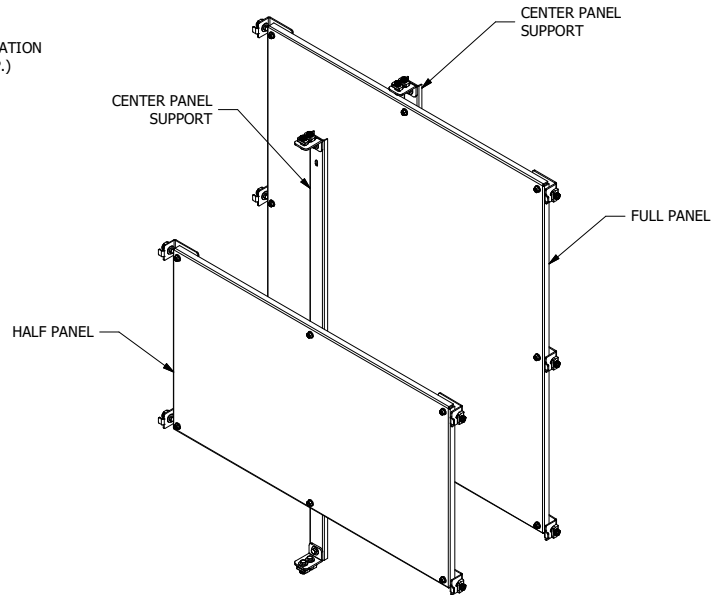
REGULAR PANELS ONLY (FULL & HALF) NEMA 4 & 12 DOUBLE DOOR

Catalog Number		Panel Size A x B
White	"G"	
WA60P48F1	WA60P48F1G	48.00x44.00 (1219x1118)
WA60P48F2	WA60P48F2G	24.88x44.00 (632x1118)
WA72P48F1	WA72P48F1G	60.00x44.00 (1524x1118)
WA72P48F2	WA72P48F2G	30.88x44.00 (784x1118)
WA72P60F1	WA72P60F1G	60.00x56.00 (1524x1422)
WA72P60F2	WA72P60F2G	30.88x56.00 (784x1422)
WA72P72F1	WA72P72F1G	60.00x68.00 (1524x1727)
WA72P72F2	WA72P72F2G	30.88x68.00 (784x1727)
WA90P48F1	WA90P48F1G	78.00x44.00 (1981x1118)
WA90P48F2	WA90P48F2G	39.88x44.00 (1013x1118)
WA90P72F1	WA90P72F1G	78.00x68.00 (1981x1727)
WA90P72F2	WA90P72F2G	39.88x68.00 (1013x1727)

NOTE: Center Panel support is supplied with a regular Two Door Enclosure Panel. This support is used only as a brace. It is not intended to be used as a support for Single Door Panels, relay racks, etc.



SINGLE DOOR PANELS

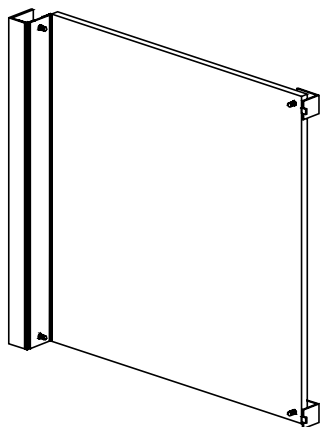


DOUBLE DOOR PANELS

**SWING OUT PANELS ONLY (FULL & HALF) NEMA 4 & 12  
SINGLE OR DOUBLE DOOR**

Catalog Number		Panel Size A x B
White	"G"	
WA60SP24F3	WA60SP24F3G	48.00x19.00 (1219x483)
WA60SP24F4	WA60SP24F4G	24.88x19.00 (632x483)
WA72SP24F3	WA72SP24F3G	60.00x19.00 (1524x483)
WA72SP24F4	WA72SP24F4G	30.88x19.00 (784x483)
WA72SP30F3	WA72SP30F3G	60.00x25.00 (1524x635)
WA72SP30F4	WA72SP30F4G	30.88x25.00 (784x635)
WA60SP36F3	WA60SP36F3G	48.00x31.00 (1219x787)
WA60SP36F4	WA60SP36F4G	24.88x31.00 (632x787)
WA72SP36F3	WA72SP36F3G	60.00x31.00 (1524x787)
WA72SP36F4	WA72SP36F4G	30.88x31.00 (784x787)
WA90SP36F3	WA90SP36F3G	78.00x31.00 (1981x787)
WA90SP36F4	WA90SP36F4G	39.88x31.00 (1013x787)

NOTE: If used in a Two Door Enclosure, a center panel support must be ordered.



WA60SP24F3

**SIDE MOUNT PANELS ONLY (FULL & HALF) NEMA 4 & 12  
SINGLE OR DOUBLE DOOR**

Catalog Number		Panel Size A x B
White	"G"	
WA60SMP14	WA60SMP14G	48.00x14.00 (1219x356)
WA72SMP14	WA72SMP14G	60.00x14.00 (1524x356)
WA72SMP20	WA72SMP20G	60.00x20.00 (1524x508A)
WA90SMP14	WA90SMP14G	78.00x14.00 (1981x356)
WA90SMP20	WA90SMP20G	78.00x20.00 (1981x508A)



WA60SMP14

**CENTER PANEL SUPPORTS**

Catalog Number	Description
WA60FSCPS	Center panel support for 60" high enclosures
WA72FSCPS	Center panel support for 72" high enclosures
WA90FSCPS	Center panel support for 90" high enclosures

**CLAMP NUTS**

Catalog Number	Description
WAPS1420CN	Clamp nut for mounting channel
WAPS3816CN	Clamp nut for mounting channel

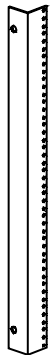
RELAY RACK ANGLES (FULL OR HALF) SINGLE OR DOUBLE DOOR

Catalog Number	Length "L"
WA60RP24F5	49.00 (1245)
WA60RP24F6	26.25 (667)
WA72RP24F5	61.25 (1556)
WA72RP24F6	31.50 (800)
WA72RP30F5	61.25 (1556)
WA72RP30F6	31.50 (800)
WA90RP24F5	78.75 (2000)
WA90RP24F6	40.25 (1022)

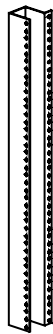
RELAY RACK ANGLES WITH THRU HOLES (TYPE RA)

Catalog Number	Fits Enclosure HxW	Rack Size	Angle Length "L"
WA60RA19TH	60.00x24.00 (1524x610)	19.00 (483)	49.00 (1245)
WA72RA19TH	72.00x24.00 (1829x610)	19.00 (483)	61.25 (1556)
WA72RA24TH	72.00x30.00 (1829x762)	24.00 (610)	61.25 (1556)
WA90RA19TH	90.00x24.00 (2286x610)	19.00 (483)	78.78 (2001)

NOTE: If used in a Two Door Enclosure, a center panel support must be ordered. (See page C31)



WA60RP24F5

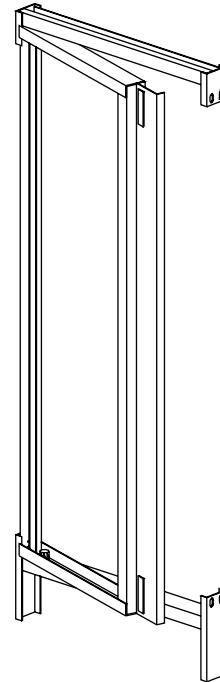


WA60RA19TH

SWING OUT RACK MOUNTING FRAMES

Catalog Number	Fits Enclosure HxW	Rack Size	Angle Length "T"
WA7230SOF19	72.00x30.00 (1829x762)	19.00 (483)	57.88 (1470)
WA7236SOF19	72.00x36.00 (1829x914)	19.00 (483)	57.88 (1470)
WA9036SOF19	90.00x36.00 (2286x914)	19.00 (483)	75.38 (1915)

NOTE: If used in a Two Door Enclosure, a center panel support must be ordered. (See page C31)



WA7230SOF19





**WA86M5E**

**Industry Standards**

UL 508A, Type 12  
CSA Certified, Type 12  
NEMA/EEMAC Type 12

 UL File E64791

 CSA File LL66078

**FEATURES-SPECIFICATIONS**

**Applications**

Designed to protect electronic controls, components, and instruments in typical industrial environments from dust, dirt, oil, and dripping water. These enclosures are used in machine tool applications for housing motor starters, drives, contactors, PLC's, as well as a wide variety of other electrical and electronic equipment found in automotive, pulp, and paper, wood products, textile, and similar industries. Select from three, four, or five door options to best meet your application requirements.

**Construction**

- Bodies and doors are fabricated from carbon steel
- Seams are continuously welded and ground smooth
- Stiffeners are welded to the back to maintain flatness and increase rigidity
- Heavy-duty removable lifting eyes are installed for easy handling
- 3-point Keylocking/Padlocking combo handle
- Light fixture mounting channel is provided
- Doors are supported by heavy gauge steel continuous hinges

- Doors are sealed with a closed cell neoprene gasket
- Removable back panels and back panel supports are provided
- Grounding provisions are provided

**Finish**

- ANSI 61 gray polyester powder inside and out
- Back panels are painted with a white polyester powder

**Accessories**

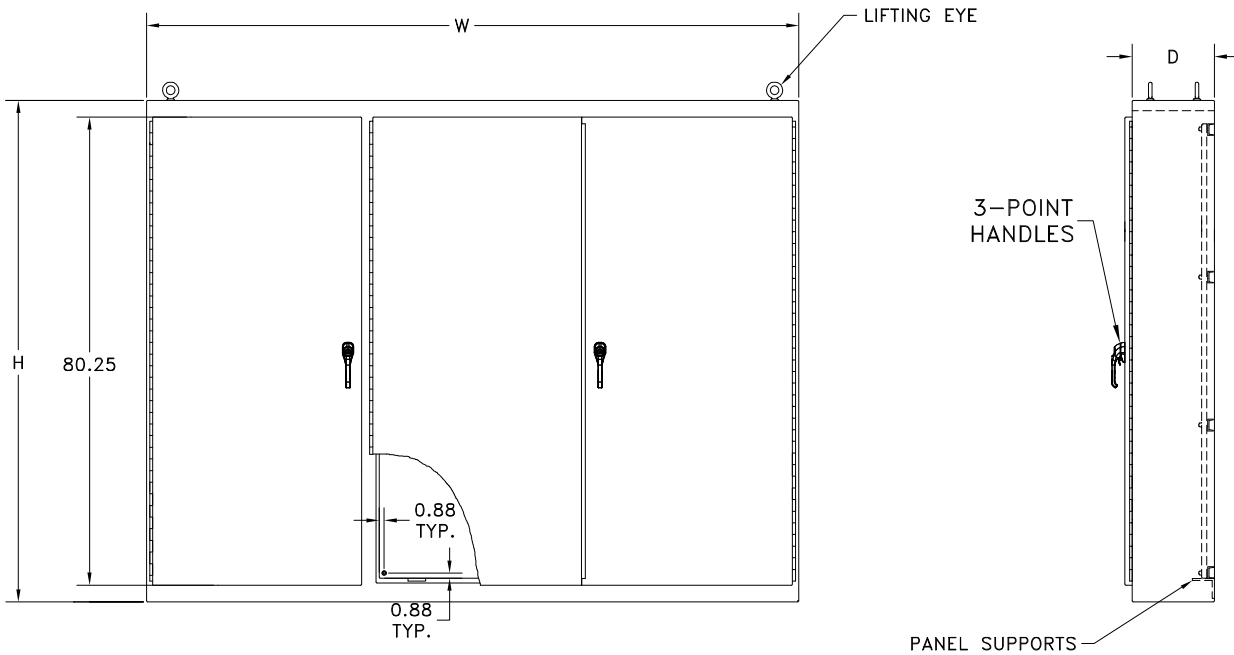
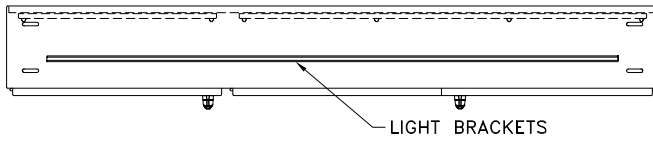
- See pages L1-L24

**N12 SERIES MULTI-DOOR ENCLOSURES**

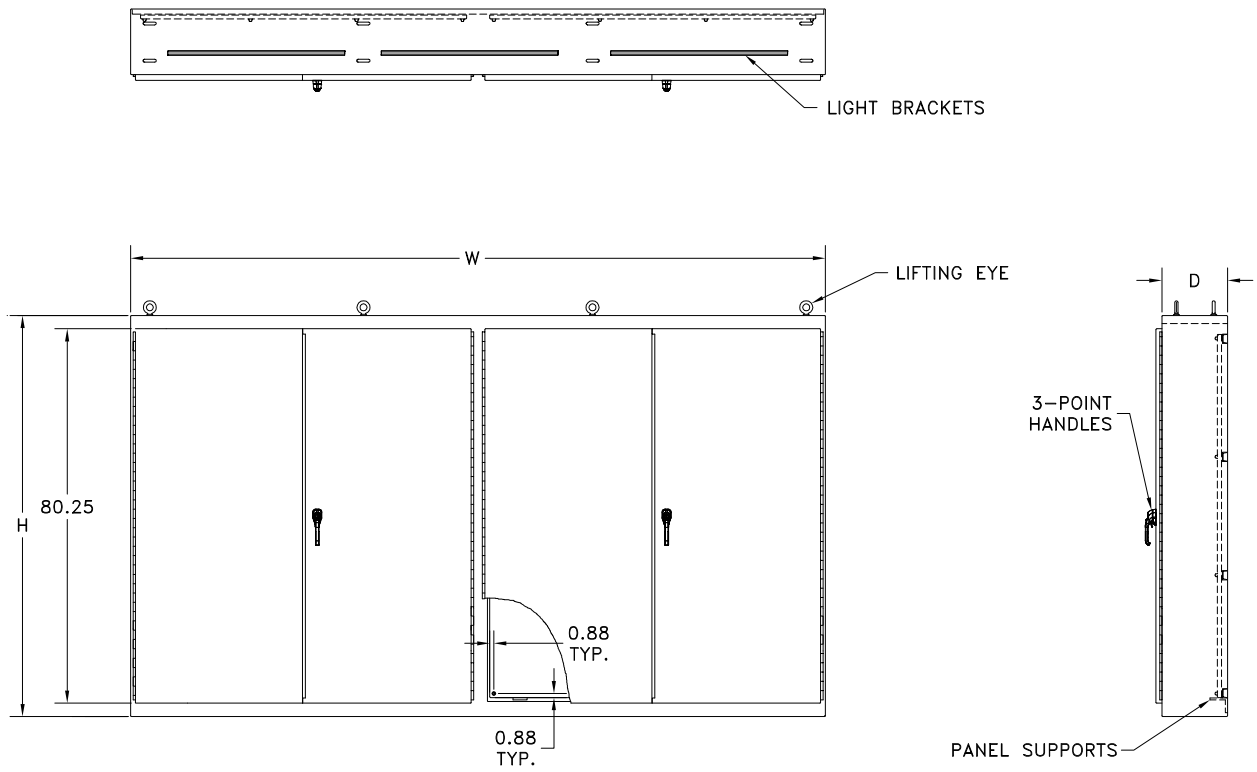
Catalog Number	Number of Doors	Enclosure Size HxWxD	Back Panel Size*		
			A x B		A x B
WA86M3E	3	86.13x112.13x14.13 (2188x2848x359)	(1) 78.00x70.00 (1981x1778)	and	(1) 78.00x34.00 (1981x864)
WA86M4E	4	86.13x149.13x14.13 (2188x3788x359)	(2) 78.00x70.00 (1981x1778)	and	No Panel
WA86M5E	5	86.13x187.13x14.13 (2188x4753x359)	(2) 78.00x70.00 (1981x1778)	and	(1) 78.00x34.00 (1981x864)
WA86M3E20	3	86.13x112.13x20.13 (2188x2848x511)	(1) 78.00x70.00 (1981x1778)	and	(1) 78.00x34.00 (1981x864)
WA86M4E20	4	86.13x149.13x20.13 (2188x3788x511)	(2) 78.00x70.00 (1981x1778)	and	No Panel
WA86M5E20	5	86.13x187.13x20.13 (2188x4753x511)	(2) 78.00x70.00 (1981x1778)	and	(1) 78.00x34.00 (1981x864)

\*Back panels are furnished with enclosures.

3-DOOR



4-DOOR



5-DOOR

