

# Section E Index

|                                                                                              |                                                                                            |                                                                                     |
|----------------------------------------------------------------------------------------------|--------------------------------------------------------------------------------------------|-------------------------------------------------------------------------------------|
| <b>RSC-NKSS Series</b><br>NEMA 3RX Screw Cover .....E2                                       | <b>WA-GSCSS Series</b><br>NEMA 4X Lift-Off Cover Wall-Mount .....E18                       | <b>SSN4-3PTW Series</b><br>NEMA 4X Painted White Single Door<br>Wall-Mount .....E40 |
| <b>PBSS Series</b><br>NEMA 4X, 12 & 13 (30.5mm) Pushbutton<br>Wall-Mount .....E4             | <b>WC-CSS Series</b><br>NEMA 12 Consolet Single Door .....E20                              | <b>SSN4D Series</b><br>NEMA 4X Two Door Floor-Mount .....E42                        |
| <b>PBXD-SS Series</b><br>NEMA 4X, 12 & 13 (30.5mm) Pushbutton<br>Wall-Mount .....E6          | <b>N412-SSC ULTIMATE Series</b><br>NEMA 4X Single Door Wall-Mount .....E22                 | <b>N4S-FSSS/FSSSA/FSDSS Series</b><br>NEMA 4X Single Door Freestanding .....E44     |
| <b>BN4-SS Series</b><br>NEMA 4X JIC Clamp-Cover Wall-Mount ..E8                              | <b>N412-WSSC ULTIMATE Series</b><br>NEMA 4X Single Door With<br>Window Wall-Mount .....E25 | <b>SSN4D-3PT Series</b><br>NEMA 4X Two Door Floor-Mount .....E46                    |
| <b>BN4-CHSS Series</b><br>NEMA 4X JIC Continuous Hinge<br>Wall-Mount .....E10                | <b>N412-SS3PTC ULTIMATE Series</b><br>NEMA 4X Single Door Wall-Mount .....E27              | <b>WA-SSFSN43PT Series</b><br>NEMA 4X Single Door Freestanding .....E48             |
| <b>BN4-CHTQSS/SSA Series</b><br>NEMA 4X Continuous Hinge<br>Quarter-Turn Wall-Mount .....E12 | <b>N412-CSSST ULTIMATE Series</b><br>NEMA 4X Slope-Top Single Door .....E30                | <b>WA-SSFSDN43PT Series</b><br>NEMA 4X Two Door Freestanding .....E50               |
| <b>BN4-AL Series</b><br>NEMA 4X Lift-Off Cover Wall-Mount .....E14                           | <b>SSN4-WF3PT Series</b><br>NEMA 4X Two Door Wall-Mount .....E32                           | <b>WA-FSSS/FSDSS Series</b><br>NEMA 12 Single and<br>Two Door Freestanding .....E52 |
| <b>BN4-CHAL Series</b><br>NEMA 4X JIC Continuous Hinge<br>Wall-Mount .....E16                | <b>SSN4 Series</b><br>NEMA 4X Single Door Wall-Mount .....E34                              |                                                                                     |
|                                                                                              | <b>ALN4 Series</b><br>NEMA 4X Single Door Wall-Mount .....E36                              |                                                                                     |
|                                                                                              | <b>SSN4-3PT Series</b><br>NEMA 4X Single Door Wall-Mount .....E38                          |                                                                                     |

## STAINLESS STEEL



## RSC-NKSS SERIES ENCLOSURES NEMA 3RX STAINLESS STEEL SCREW-COVER



RSC081206NKSS



### Industry Standards

UL 50, Types 3RX, 3R,& 1  
CSA Certified, Types 3RX, 3R,& 1  
NEMA/EEMAC Types 3RX, 3R,& 1

## FEATURES-SPECIFICATIONS

### Applications

The Stainless Steel RSC Series enclosure is designed for use as a wiring or junction box. This enclosure can be used indoors or outdoors and provides protection from rain, sleet, snow, or dripping water. Can also be used in corrosive environments.

### Construction

- Body and cover are fabricated from 304 stainless steel
- A slip-on reversible cover is securely fastened with screws located along the bottom edge
- Mounting holes are located on the back of the enclosure

- No gasketing is required
- Hasp for padlocking or meter seal is provided

### Finish

- Exterior surfaces of the enclosure have a smooth grained finish

### Accessories

- See pages L1-L24

### RSC-NKSS SERIES SCREW-COVER STAINLESS STEEL ENCLOSURES

| Catalog Number  | Enclosure Size HxWxD                   | Mounting A x B            |
|-----------------|----------------------------------------|---------------------------|
| RSC040404NKSS*Δ | 4.06 x 4.12 x 4.06 (103 x 105 x 103)   | —                         |
| RSC040604NKSS*Δ | 6.06 x 4.12 x 4.06 (154 x 105 x 103)   | —                         |
| RSC060604NKSS   | 6.06 x 6.12 x 4.06 (154 x 155 x 103)   | 3.00 x 3.00 (76 x 76)     |
| RSC060804NKSS   | 8.06 x 6.12 x 4.06 (205 x 155 x 103)   | 5.00 x 3.00 (127 x 76)    |
| RSC080804NKSS   | 8.06 x 8.12 x 4.06 (205 x 206 x 103)   | 5.00 x 5.00 (127 x 127)   |
| RSC081004NKSS   | 10.06 x 8.12 x 4.06 (256 x 206 x 103)  | 7.00 x 5.00 (178 x 127)   |
| RSC101004NKSS   | 10.06 x 10.12 x 4.06 (256 x 257 x 103) | 7.00 x 7.00 (178 x 178)   |
| RSC101204NKSS   | 12.06 x 10.12 x 4.06 (306 x 257 x 103) | 9.00 x 7.00 (229 x 178)   |
| RSC121204NKSS   | 12.06 x 12.12 x 4.06 (306 x 308 x 103) | 9.00 x 9.00 (229 x 229)   |
| RSC121504NKSS   | 15.06 x 12.12 x 4.06 (383 x 308 x 103) | 12.00 x 9.00 (305 x 229)  |
| RSC181804NKSS   | 18.06 x 18.12 x 4.06 (459 x 460 x 103) | 15.00 x 15.00 (381 x 381) |
| RSC060606NKSS   | 6.06 x 6.12 x 6.06 (154 x 155 x 154)   | 3.00 x 3.00 (76 x 76)     |
| RSC060806NKSS   | 8.06 x 6.12 x 6.06 (205 x 155 x 154)   | 5.00 x 3.00 (127 x 76)    |
| RSC080806NKSS   | 8.06 x 8.12 x 6.06 (205 x 206 x 154)   | 5.00 x 5.00 (127 x 127)   |
| RSC081006NKSS   | 10.06 x 8.12 x 6.06 (256 x 206 x 154)  | 7.00 x 5.00 (178 x 127)   |
| RSC081206NKSS   | 12.06 x 8.12 x 6.06 (306 x 206 x 154)  | 9.00 x 5.00 (229 x 127)   |
| RSC101006NKSS   | 10.06 x 10.12 x 6.06 (256 x 257 x 154) | 7.00 x 7.00 (178 x 178)   |
| RSC101206NKSS   | 12.06 x 10.12 x 6.06 (306 x 257 x 154) | 9.00 x 7.00 (229 x 178)   |
| RSC121206NKSS   | 12.06 x 12.12 x 6.06 (306 x 308 x 154) | 9.00 x 9.00 (229 x 229)   |
| RSC121506NKSS   | 15.06 x 12.12 x 6.06 (383 x 308 x 154) | 12.00 x 9.00 (305 x 229)  |
| RSC121806NKSS   | 18.06 x 12.12 x 6.06 (459 x 308 x 154) | 15.00 x 9.00 (381 x 229)  |
| RSC151806NKSS   | 18.06 x 15.12 x 6.06 (459 x 384 x 154) | 15.00 x 12.00 (381 x 305) |
| RSC181806NKSS   | 18.06 x 18.12 x 6.06 (459 x 460 x 154) | 15.00 x 15.00 (381 x 381) |

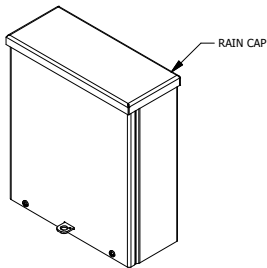
\*Two mounting holes centered vertically Δ No hasp or meter seal provided

continued on page E3

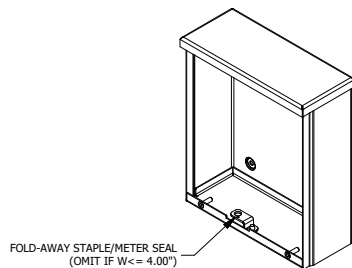
**RSC-NKSS SERIES ENCLOSURES  
NEMA 3RX STAINLESS STEEL SCREW-COVER**

**RSC-NKSS SERIES SCREW-COVER STAINLESS STEEL ENCLOSURES (CONT.)**

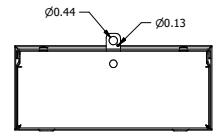
| Catalog Number | Enclosure Size HxWxD                     | Mounting A x B             |
|----------------|------------------------------------------|----------------------------|
| RSC182406NKSS  | 24.06 x 18.12 x 6.06 (611 x 460 x 154)   | 21.00 x 15.00 (533 x 381)  |
| RSC242406NKSS  | 24.07 x 24.15 x 6.07 (611 x 613 x 154)   | 21.00 x 21.00 (533 x 533)  |
| RSC121208NKSS  | 12.06 x 12.12 x 8.06 (306 x 308 x 205)   | 9.00 x 9.00 (229 x 229)    |
| RSC121808NKSS  | 18.06 x 12.12 x 8.06 (459 x 308 x 205)   | 15.00 x 9.00 (381 x 229)   |
| RSC151808NKSS  | 18.06 x 15.12 x 8.06 (459 x 384 x 205)   | 15.00 x 12.00 (381 x 305)  |
| RSC181808NKSS  | 18.06 x 18.12 x 8.06 (459 x 460 x 205)   | 15.00 x 15.00 (381 x 381)  |
| RSC182408NKSS  | 24.06 x 18.12 x 8.06 (611 x 460 x 205)   | 21.00 x 15.00 (533 x 381)  |
| RSC202408NKSS  | 24.06 x 20.12 x 8.06 (611 x 511 x 205)   | 21.00 x 17.00 (533 x 432)  |
| RSC242408NKSS  | 24.07 x 24.15 x 8.07 (611 x 613 x 205)   | 21.00 x 21.00 (533 x 533)  |
| RSC243008NKSS  | 30.07 x 24.15 x 8.07 (764 x 613 x 205)   | 27.00 x 21.00 (686 x 533)  |
| RSC121210NKSS  | 12.06 x 12.12 x 10.06 (306 x 308 x 256)  | 9.00 x 9.00 (229 x 229)    |
| RSC161610NKSS  | 16.06 x 16.12 x 10.06 (408 x 409 x 256)  | 13.00 x 13.00 (330 x 330)  |
| RSC242412NKSS  | 24.07 x 24.15 x 12.07 (611 x 613 x 307)  | 21.00 x 21.00 (533 x 533)  |
| RSC243612NKSS  | 36.07 x 24.15 x 12.07 (916 x 613 x 307)  | 33.00 x 21.00 (838 x 533)  |
| RSC303012NKSS  | 30.10 x 30.21 x 12.10 (765 x 767 x 307)  | 27.00 x 27.00 (686 x 686)  |
| RSC303612NKSS  | 36.10 x 30.21 x 12.10 (917 x 767 x 307)  | 33.00 x 27.00 (838 x 686)  |
| RSC363612NKSS  | 36.10 x 36.21 x 12.10 (917 x 920 x 307)  | 33.00 x 33.00 (838 x 838)  |
| RSC242416NKSS  | 24.07 x 24.15 x 16.07 (611 x 613 x 408)  | 21.00 x 21.00 (533 x 533)  |
| RSC303016NKSS  | 30.10 x 30.21 x 16.10 (765 x 767 x 409)  | 27.00 x 27.00 (686 x 686)  |
| RSC363616NKSS  | 36.10 x 36.21 x 16.10 (917 x 920 x 409)  | 33.00 x 33.00 (838 x 838)  |
| RSC364816NKSS  | 48.10 x 36.21 x 16.10 (1222 x 920 x 409) | 45.00 x 33.00 (1143 x 838) |



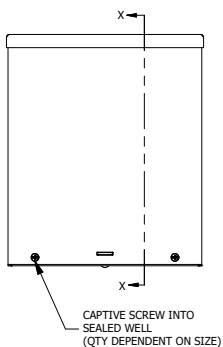
ISO VIEW



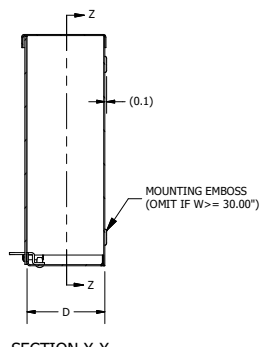
ISO VIEW, LID REMOVED



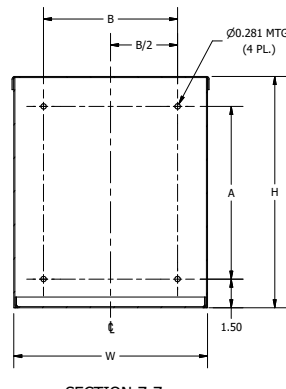
BOTTOM VIEW



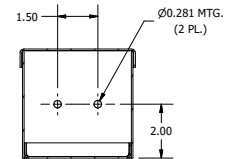
FRONT VIEW



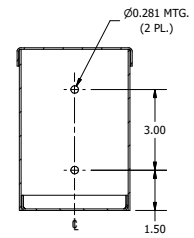
SECTION X-X



SECTION Z-Z



4 X 4 MOUNTING



6 X 4 MOUNTING

**PBSS SERIES ENCLOSURES**  
**NEMA 4, 4X & 12 (30.5MM) PUSHBUTTON WALL-MOUNT**



PBSS3

**Industry Standards**

UL 508A, Type 4, 4X, 12 & 13  
 CSA Certified, Type 4, 4X & 12  
 NEMA/EEMAC Type 4, 4X, 12 & 13

 UL File E64791

 CSA File LL66078

**FEATURES-SPECIFICATIONS**

**Applications**

Designed to hold all standard brands of pushbuttons, switches and pilot lights. Provides protection from dust, dirt, oil and water. PBSS Series is designed for areas where serious corrosion problems exist.

**Construction**

- Bodies and doors are fabricated from 304 or 316L stainless steel
- Seams are continuously welded and ground smooth
- Closed cell oil resistant neoprene gasket

- External mounting plates on the top and bottom of the enclosure
- Captivated cover screws thread into sealed wells
- Standard "4-way" pushbutton holes accept all brands of oil-tight push buttons, switches and pilot lights
- Enclosures 9.50" x 6.25" x 3.00" and larger have internal detachable hinges to hold cover open during wiring, yet permit quick removal
- Grounding provisions are provided

**Finish**

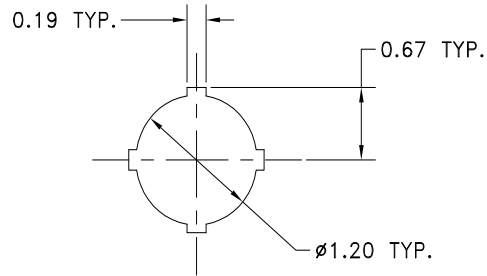
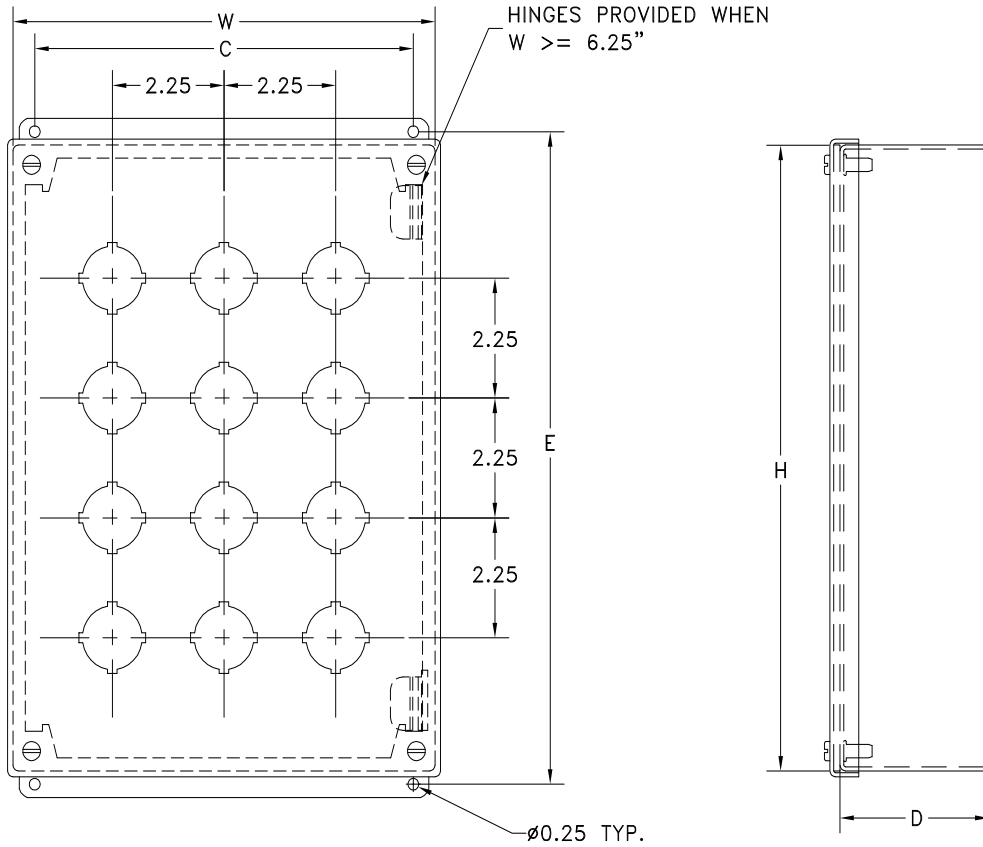
- Exterior surfaces of the enclosure have a smooth grained finish

**Accessories**

- See pages I16-I27 for carbon steel pushbutton enclosures
- See page L4 for hole seals

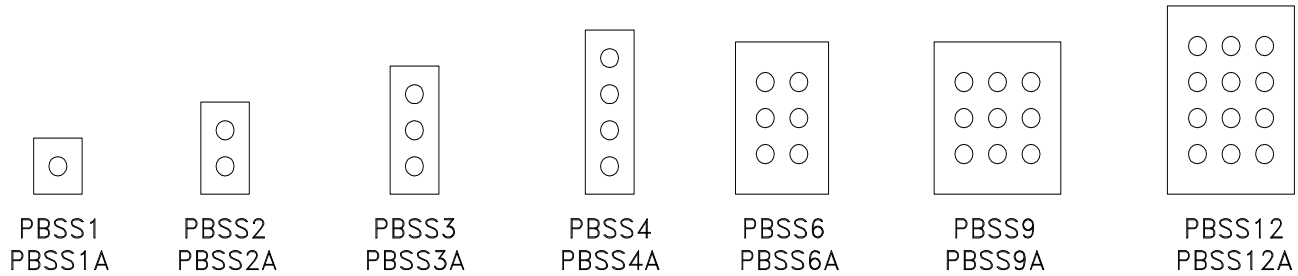
**PBSS SERIES (30.5MM) STAINLESS STEEL PUSHBUTTON ENCLOSURES**

| Catalog Number |         | Enclosure Size HxWxD         | Mounting CxE         |
|----------------|---------|------------------------------|----------------------|
| 304 SS         | 316L SS |                              |                      |
| PBSS1          | PBSS1A  | 3.50x3.25x2.81 (89x83x71)    | 2.38x4.00 (60x102)   |
| PBSS2          | PBSS2A  | 5.75x3.25x2.81 (146x83x71)   | 2.38x6.25 (60x159)   |
| PBSS3          | PBSS3A  | 8.00x3.25x2.81 (203x83x71)   | 2.38x8.50 (60x216)   |
| PBSS4          | PBSS4A  | 10.25x3.25x2.81 (260x83x71)  | 2.38x10.75 (60x273)  |
| PBSS6          | PBSS6A  | 9.50x6.25x3.09 (241x159x79)  | 5.38x10.00 (137x254) |
| PBSS9          | PBSS9A  | 9.50x8.50x3.09 (241x216x79)  | 7.63x10.00 (194x254) |
| PBSS12         | PBSS12A | 11.75x8.50x3.09 (298x216x79) | 7.63x12.25 (194x311) |



Standard 4-Way Pushbutton

Hole Arrangements



**PBXD - SS SERIES ENCLOSURES**  
**NEMA 4, 4X, 12 & 13 (30.5MM) PUSHBUTTON WALL-MOUNT**



**PBXD3SS**

**Industry Standards**

UL 508A, Type 4, 4X, 12 & 13  
 CSA Certified, Type 4, 4X & 12  
 NEMA/EEMAC Type 4, 4X, 12 & 13  
 JIC EL-1-71



**FEATURES-SPECIFICATIONS**

**Applications**

Designed to hold 30.5mm oil-tight pushbuttons, switches, and pilot lights. Provides protection against dirt, dust, oil, and water. Extra deep design accommodates additional contact blocks for pushbuttons.

**Construction**

- Bodies and doors are fabricated from 304 stainless steel
- Seams are continuously welded and ground smooth
- Closed cell oil resistant neoprene gasket

- External mounting plates on the top and bottom of the enclosure
- Captivated cover screws thread into sealed wells
- Standard "4-way" pushbutton holes accept all brands of oil-tight push buttons, switches and pilot lights
- 6.00" x 4.00" x 4.75" and larger have internal detachable hinges to hold cover open during wiring, yet permit quick removal
- Grounding provisions are provided

**Finish**

- Exterior surfaces of the enclosure have a smooth grained finish

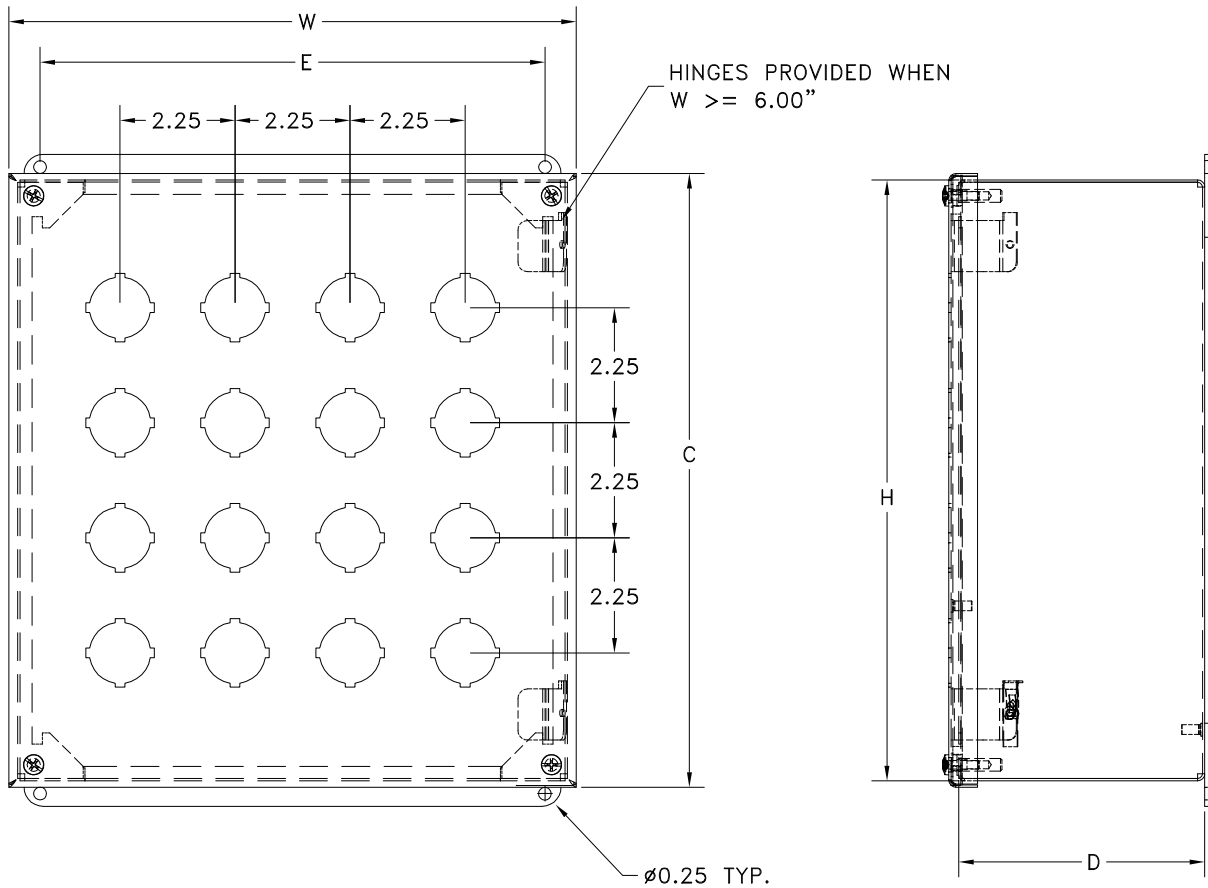
**Accessories**

- See pages I16-I27 for carbon steel pushbutton enclosures
- See page L4 for hole seals

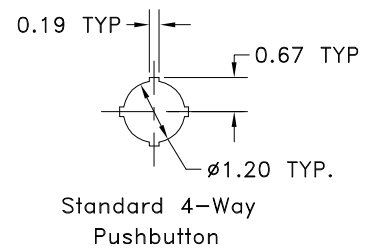
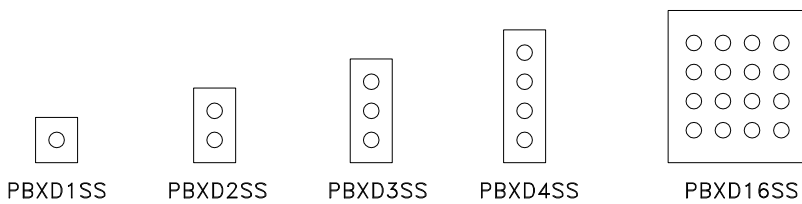
**PBXD-SS SERIES STAINLESS STEEL PUSHBUTTON ENCLOSURES**

| Catalog Number | Enclosure Size HxWxD           | Mounting CxE         |
|----------------|--------------------------------|----------------------|
| PBXD1SS        | 4.00x4.00x4.81 (102x102x122)   | 3.13x4.50 (79x114)   |
| PBXD2SS        | 6.00x4.00x4.81 (152x102x122)   | 3.13x6.50 (79x165)   |
| PBXD3SS        | 8.00x4.00x4.81 (203x102x122)   | 3.13x8.50 (79x216)   |
| PBXD4SS        | 10.00x4.00x4.81 (254x102x122)  | 3.13x10.50 (79x267)  |
| PBXD16SS       | 11.75x10.75x4.81 (298x273x122) | 9.88x12.25 (251x311) |

**PBXD - SS SERIES ENCLOSURES  
NEMA 4, 4X, 12 & 13 (30.5MM) PUSHBUTTON WALL-MOUNT**



**PBXD Hole Arrangements**



## BN4 - SS SERIES ENCLOSURES NEMA 4X JIC CLAMP-COVER WALL-MOUNT



BN4060604SS

### Industry Standards


UL 50, Type 4, 4X, 12 & 13  
(6 X 6 X 4 & above)

UL 508A, Type 4, 4X, 12 & 13 (6 X 4  
X 3 & smaller)

CSA Certified, Type 4 & 12

NEMA/EEMAC Type 4, 4X, 12 & 13

IEC 60529, IP66

 UL Files E23553, E64791, E470978

 CSA File LL66078

## FEATURES-SPECIFICATIONS

### Applications

Provides unmatched protection for housing electrical components in highly corrosive environments. This enclosure is used in indoor and outdoor settings that are frequently wet or have constant exposure to water, contaminants, or other liquids.

### Construction

- Bodies and doors are fabricated from 304 or 316L stainless steel
- Seams are continuously welded and ground smooth

- Doors are sealed with a poured in place gasket
- External mounting plates on the top and bottom of the enclosure
- Weldnuts are provided on models 6.00" x 4.00" and larger to secure **optional** back panels
- Stainless steel screws and clamps on four sides of the cover to assure a water-tight seal
- Grounding provisions are provided

### Finish

- Exterior surfaces of the enclosure have a smooth grained finish
- **Optional** back panels are painted with a white polyester powder
- **Optional** "G" panels are pre-galvanized steel
- **Optional** 304SS back panels are made of 304 stainless steel

### Accessories

- Back panels (reference table)
- See pages L1-L24

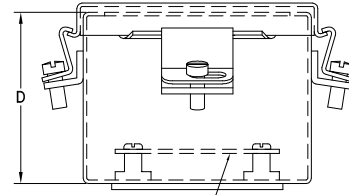
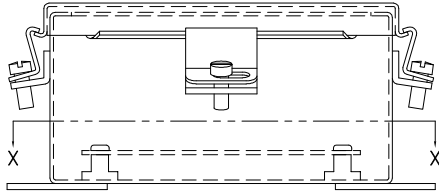
### BN4-SS SERIES JIC CLAMP COVER STAINLESS STEEL ENCLOSURES

| Catalog Number |              | Enclosure Size<br>HxWxD           | Back Panel Catalog Number* |         |        | Back Panel<br>AxB        | Mounting<br>CxE          |
|----------------|--------------|-----------------------------------|----------------------------|---------|--------|--------------------------|--------------------------|
| 304 SS         | 316L SS      |                                   | White                      | 304 SS  | "G"    |                          |                          |
| BN4040403SS    | BN4040403SSA | 4.00x4.00x3.00<br>(102x102x76)    | —                          | —       | —      | —                        | 4.75x2.00<br>(121x51)    |
| BN4060403SS    | BN4060403SSA | 6.00x4.00x3.00<br>(152x102x76)    | P0604                      | P0604SS | P0604G | 4.88x2.88<br>(124x73)    | 6.75x2.00<br>(171x51)    |
| BN4060604SS    | BN4060604SSA | 6.00x6.00x4.00<br>(152x152x102)   | P0606                      | P0606SS | P0606G | 4.88x4.88<br>(124x124)   | 6.75x4.00<br>(171x102)   |
| BN4080604SS    | BN4080604SSA | 8.00x6.00x4.00<br>(203x152x102)   | P0806                      | P0806SS | P0806G | 6.88x4.88<br>(175x124)   | 8.75x4.00<br>(222x102)   |
| BN4100804SS    | BN4100804SSA | 10.00x8.00x4.00<br>(254x203x102)  | P1008                      | P1008SS | P1008G | 8.88x6.88<br>(226x175)   | 10.75x6.00<br>(273x152)  |
| BN4121005SS    | BN4121005SSA | 12.00x10.00x5.00<br>(305x254x127) | P1210                      | P1210SS | P1210G | 10.88x8.88<br>(276x226)  | 12.75x8.00<br>(324x203)  |
| BN4141206SS    | BN4141206SSA | 14.00x12.00x6.00<br>(356x305x152) | P1412                      | P1412SS | P1412G | 12.88x10.88<br>(327x276) | 14.75x10.00<br>(375x254) |
| BN4161406SS    | BN4161406SSA | 16.00x14.00x6.00<br>(406x356x152) | P1614                      | P1614SS | P1614G | 14.88x12.88<br>(378x327) | 16.75x12.00<br>(425x305) |

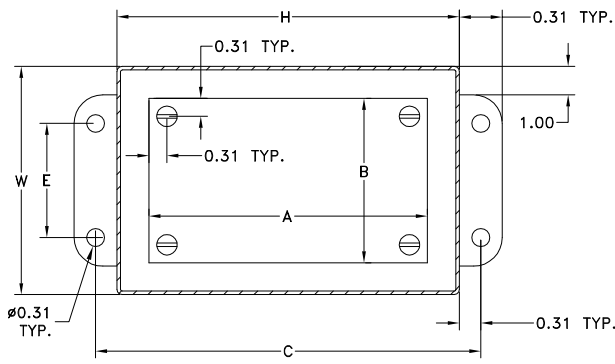
\*Back panels must be ordered separately.



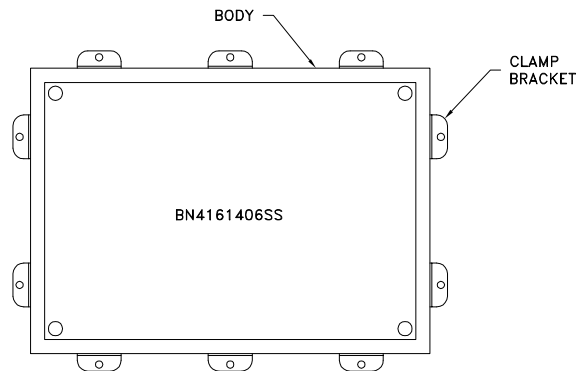
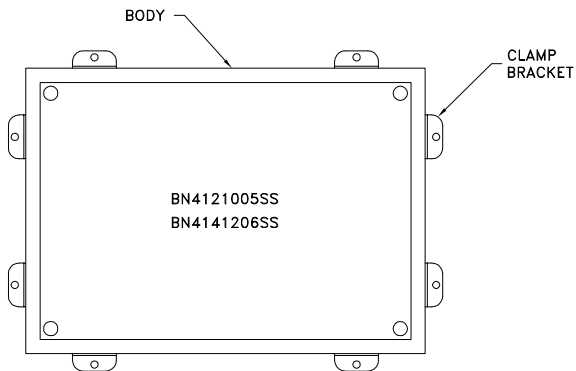
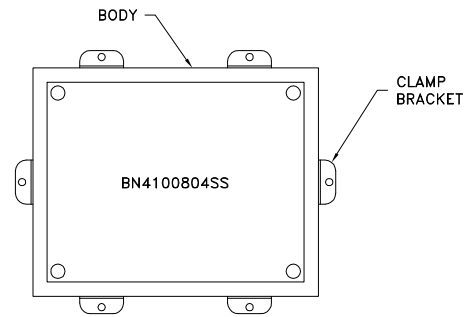
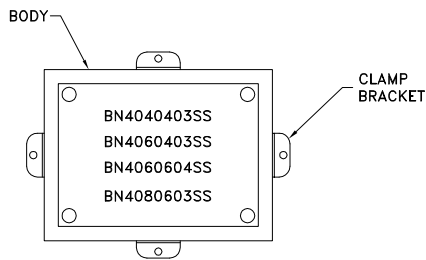
**BN4 - SS SERIES ENCLOSURES  
NEMA 4X JIC CLAMP-COVER WALL-MOUNT**



Panel (Order Separately)



SECTION X-X




## BN4 - CHSS SERIES ENCLOSURES NEMA 4X JIC CONTINUOUS HINGE WALL-MOUNT



BN4141206CHSS

### Industry Standards

UL 50, Type 4, 4X, 12 & 13  
CSA Certified, Type 4 & 12  
NEMA/EEMAC Type 4, 4X, 12 & 13  
IEC 60529, IP66

 UL File E6924, E64791, E470978

 CSA File LL66078

## FEATURES-SPECIFICATIONS

### Applications

Provides unmatched protection for housing electrical components in highly corrosive environments. This enclosure is used in indoor and outdoor settings that are frequently wet or have constant exposure to water, contaminants, or other liquids.

### Construction

- Bodies and doors are fabricated from 304 or 316L stainless steel
- Seams are continuously welded and ground smooth

- Doors are sealed with a poured in place gasket
- External mounting feet are provided
- Weldnuts are provided on models 6.00" x 4.00" and larger to secure **optional** back panels
- Stainless steel screws and clamps are included to assure a water-tight seal
- Door is removed by pulling the stainless steel continuous hinge pin
- Grounding provisions are provided

### Finish

- Exterior surfaces of the enclosure have a smooth grained finish
- **Optional** back panels are painted with a white polyester powder
- **Optional** "G" panels are pre-galvanized steel
- **Optional** 304SS back panels are made of 304 stainless steel

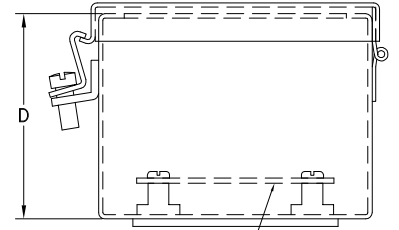
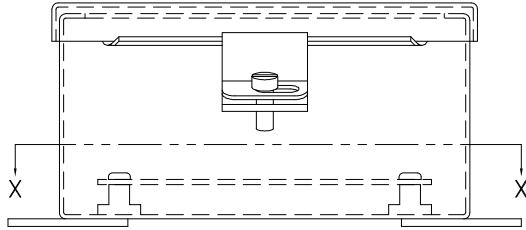
### Accessories

- Back panels (reference table)
- See pages L1-L24

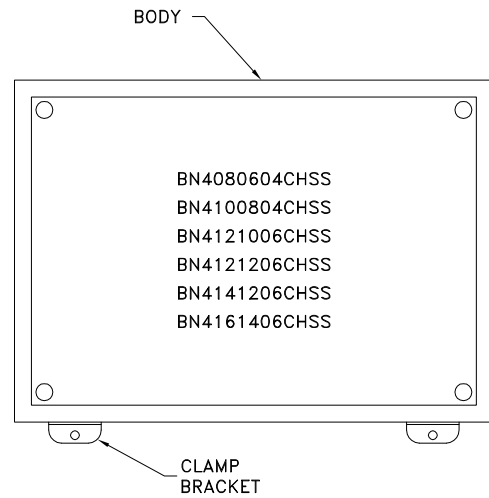
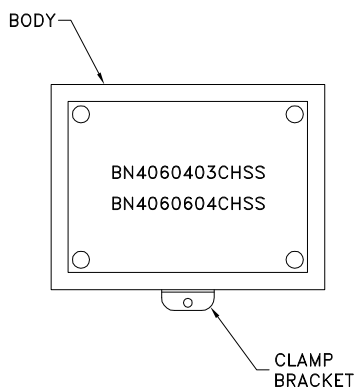
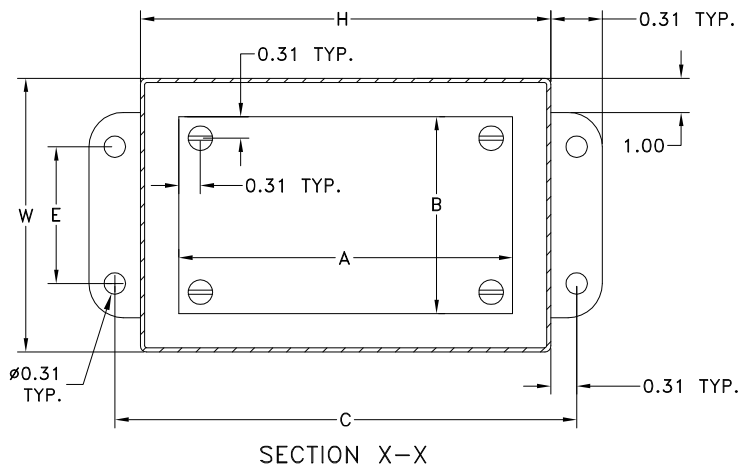
### BN4-CHSS SERIES JIC CONTINUOUS HINGE STAINLESS STEEL ENCLOSURES

| Catalog Number |                | Enclosure Size<br>HxWxD           | Back Panel Catalog Number* |         |        | Back Panel<br>AxB        | Mounting<br>CxE          |
|----------------|----------------|-----------------------------------|----------------------------|---------|--------|--------------------------|--------------------------|
| 304 SS         | 316L SS        |                                   | White                      | 304 SS  | "G"    |                          |                          |
| BN4060404CHSS  | BN4060404CHSSA | 6.00x4.00x4.00<br>(152x102x102)   | P0604                      | P0604SS | P0604G | 4.88x2.88<br>(124x73)    | 6.75x2.00<br>(171x51)    |
| BN4060604CHSS  | BN4060604CHSSA | 6.00x6.00x4.00<br>(152x152x102)   | P0606                      | P0606SS | P0606G | 4.88x4.88<br>(124x124)   | 6.75x4.00<br>(171x102)   |
| BN4080604CHSS  | BN4080604CHSSA | 8.00x6.00x4.00<br>(203x152x102)   | P0806                      | P0806SS | P0806G | 6.88x4.88<br>(175x124)   | 8.75x4.00<br>(222x102)   |
| BN4100804CHSS  | BN4100804CHSSA | 10.00x8.00x4.00<br>(254x203x102)  | P1008                      | P1008SS | P1008G | 8.88x6.88<br>(226x175)   | 10.75x6.00<br>(273x152)  |
| BN4121006CHSS  | BN4121006CHSSA | 12.00x10.00x6.00<br>(305x254x152) | P1210                      | P1210SS | P1210G | 10.88x8.88<br>(276x226)  | 12.75x8.00<br>(324x203)  |
| BN4121206CHSS  | BN4121206CHSSA | 12.00x12.00x6.00<br>(305x305x152) | P1212                      | P1212SS | P1212G | 10.88x10.88<br>(276x276) | 12.75x10.00<br>(324x254) |
| BN4141206CHSS  | BN4141206CHSSA | 14.00x12.00x6.00<br>(356x305x152) | P1412                      | P1412SS | P1412G | 12.88x10.88<br>(327x276) | 14.75x10.00<br>(375x254) |
| BN4161406CHSS  | BN4161406CHSSA | 16.00x14.00x6.00<br>(406x356x152) | P1614                      | P1614SS | P1614G | 14.88x12.88<br>(378x327) | 16.75x12.00<br>(425x305) |

\*Back panels must be ordered separately.



Panel (Order Separately)



## ULTIMATE MINI-MAX™ NEMA 4X JIC CONTINUOUS HINGE QUARTER-TURN



BN4080604CHQTSS

### Industry Standards

UL 508A, Type 4, 4X, & 12  
CSA Certified Type 4, 4X & 12  
NEMA/EEMAC Type 4, 4X, & 12  
IEC 60529, IP66

 UL Files E64791, E470978

 CSA File LL 66078

## FEATURES-SPECIFICATIONS

### Applications

Ultimate Mini-Max™ Series enclosures are designed to house and protect electrical and electronic components in harsh, dirty environments. For use in installations where dirt, dust, oil, water and other contaminants are present. Streamlined styling, ¼ turn latch and attractive durable finish complements any high tech electronic equipment.

### Construction

- Bodies and doors are fabricated from 304 or 316L stainless steel
- Seams are continuously welded and ground smooth

- Doors are sealed with a poured in place gasket
- FTC flange around the entire door opening to channel liquids
- External mounting plates on the top and bottom of the enclosure
- Continuous hinged cover
- Door is removed by pulling the stainless steel hinge pin
- Door is secured with a quarter-turn latch

### Finish

- Exterior surfaces of the enclosure have a smooth grained finish

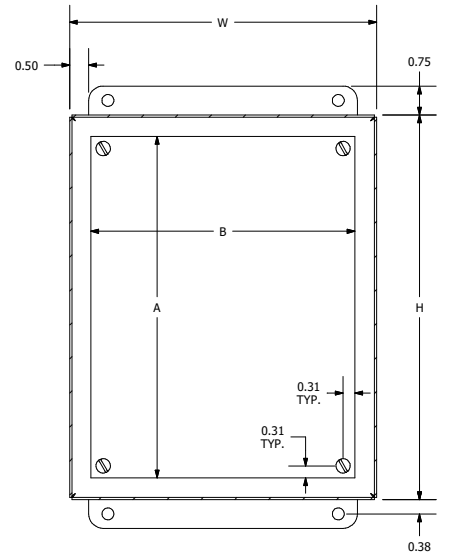
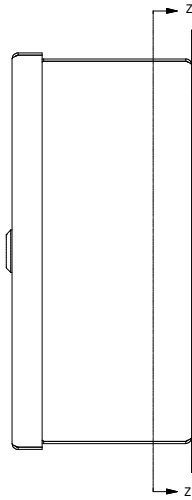
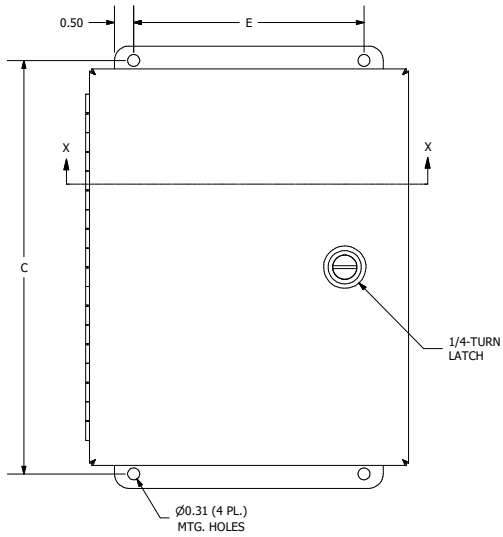
- **Optional** back panels are painted with a white polyester powder
- **Optional** “G” panels are pre-galvanized steel
- **Optional** 304SS back panels are made of 304 stainless steel

### Accessories

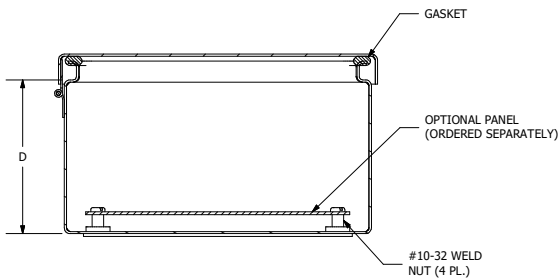
- Back panels (reference table)
- See pages L1-L24

| ENCLOSURE CATALOG NUMBER |                  | ENCLOSURE SIZE        | BACK PANEL CATALOG NUMBER* |         |        | BACK PANEL SIZE<br>A X B | MOUNTING<br>C X E |
|--------------------------|------------------|-----------------------|----------------------------|---------|--------|--------------------------|-------------------|
| 304 SS                   | 316L SS          |                       | WHITE                      | 304 SS  | “G”    |                          |                   |
| BN4060604CHQTSS          | BN4060604CHQTSSA | 6.00 x 6.00 x 4.00    | P0606                      | P0606SS | P0606G | 4.88 x 4.88              | 6.75 x 4.00       |
| BN4080604CHQTSS          | BN4080604CHQTSSA | 8.00 x 6.00 x 4.00    | P0806                      | P0806SS | P0806G | 6.88 x 4.88              | 8.75 x 4.00       |
| BN4100804CHQTSS          | BN4100804CHQTSSA | 10.00 x 8.00 x 4.00   | P1008                      | P1008SS | P1008G | 8.88 x 6.88              | 10.75 x 6.00      |
| BN4100806CHQTSS          | BN4100806CHQTSSA | 10.00 x 8.00 x 6.00   | P1008                      | P1008SS | P1008G | 8.88 x 6.88              | 10.75 x 6.00      |
| BN4121006CHQTSS          | BN4121006CHQTSSA | 12.00 x 10.00 x 6.00  | P1210                      | P1210SS | P1210G | 10.88 x 8.88             | 12.75 x 8.00      |
| BN4121206CHQTSS          | BN4121206CHQTSSA | 12.00 x 12.00 x 6.00  | P1212                      | P1212SS | P1212G | 10.88 x 10.88            | 12.75 x 10.00     |
| BN4141206CHQTSS          | BN4141206CHQTSSA | 14.00 x 12.00 x 6.00  | P1412                      | P1412SS | P1412G | 12.88 x 10.88            | 14.75 x 10.00     |
| BN4161406CHQTSS          | BN4161406CHQTSSA | 16.00 x 14.00 x 6.00  | P1614                      | P1614SS | P1614G | 14.88 x 12.88            | 16.75 x 12.00     |
| BN4121008CHQTSS          | BN4121008CHQTSSA | 12.00 x 10.00 x 8.00  | P1210                      | P1210SS | P1210G | 10.88 x 8.88             | 12.75 x 8.00      |
| BN4121208CHQTSS          | BN4121208CHQTSSA | 12.00 x 12.00 x 8.00  | P1212                      | P1212SS | P1212G | 10.88 x 10.88            | 12.75 x 10.00     |
| BN4141208CHQTSS          | BN4141208CHQTSSA | 14.00 x 12.00 x 8.00  | P1412                      | P1412SS | P1412G | 12.88 x 10.88            | 14.75 x 10.00     |
| BN4161408CHQTSS          | BN4161408CHQTSSA | 16.00 x 14.00 x 8.00  | P1614                      | P1614SS | P1614G | 14.88 x 12.88            | 16.75 x 12.00     |
| BN4121010CHQTSS          | BN4121010CHQTSSA | 12.00 x 10.00 x 10.00 | P1210                      | P1210SS | P1210G | 10.88 x 8.88             | 12.75 x 8.00      |
| BN4121210CHQTSS          | BN4121210CHQTSSA | 12.00 x 12.00 x 10.00 | P1212                      | P1212SS | P1212G | 10.88 x 10.88            | 12.75 x 10.00     |

\*Back panels must be ordered separately.



SECTION Z-Z



SECTION X-X


## BN4 - AL SERIES ENCLOSURES NEMA 4X LIFT-OFF COVER WALL-MOUNT



BN4060604AL

### Industry Standards

UL 50, Type 4, 4X, 12 & 13  
CSA Certified, Type 4 & 12  
NEMA/EEMAC Type 4, 4X, 12 & 13  
IEC 60528, IP66

 UL File E23553, E470978

 CSA File LL66078

## FEATURES-SPECIFICATIONS

### Applications

Designed as an instrument housing or junction box for electrical, electronic, or pneumatic components. It is ideal for applications where a lightweight, corrosion resistant enclosure is required.

### Construction

- Bodies and doors are fabricated from aluminum
- Seams are continuously welded and ground smooth
- Door are sealed with a poured in place gasket

- External mounting plate on the top and bottom of the enclosure
- Weldnuts are provided to secure **optional** back panels
- Stainless steel screws and clamps are included to assure a water-tight seal
- Grounding provisions are provided

### Finish

- Exterior surfaces of the enclosure have a smooth grained finish
- **Optional** back panels are painted with a white polyester powder

- **Optional** "G" panels are pre-galvanized steel
- **Optional** 304SS back panels are made of 304 stainless steel
- **Optional** AL panels are unpainted aluminum

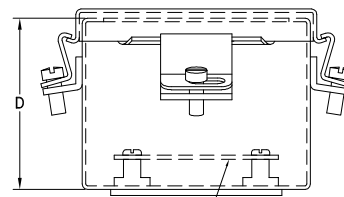
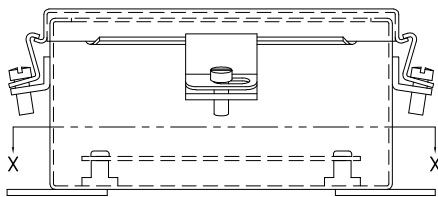
### Accessories

- Back panels (reference table)
- See pages L1-L24

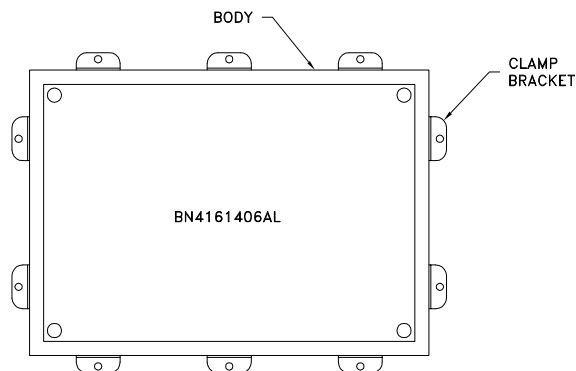
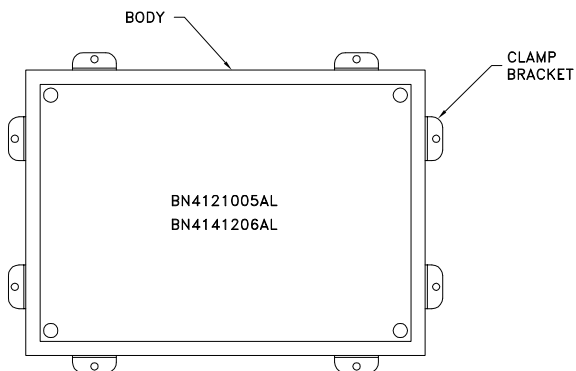
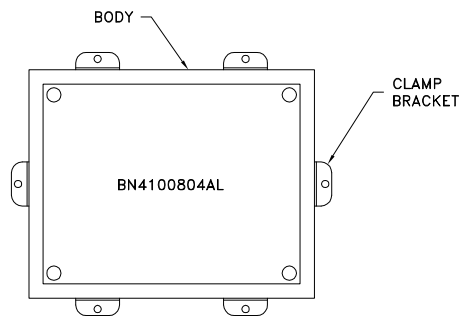
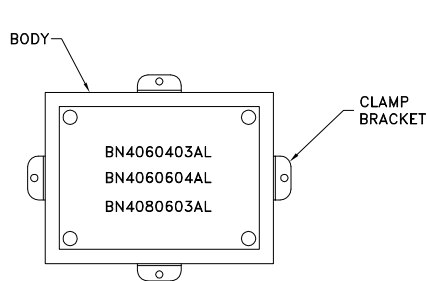
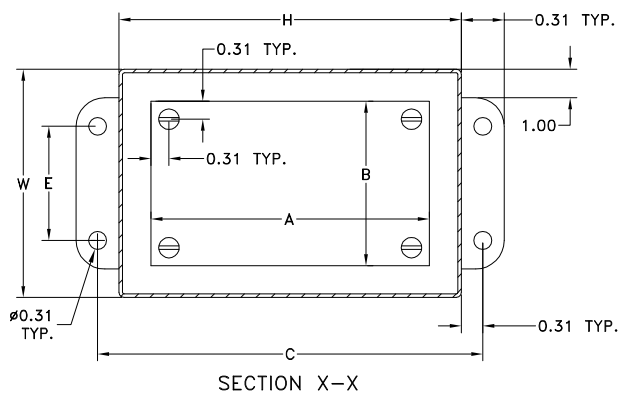
### BN4-AL SERIES LIFT-OFF COVER ALUMINUM ENCLOSURES

| Catalog Number | Enclosure Size HxWxD              | Painted | Back Panel Catalog Number* |         |         | Back Panel AxB           | Mounting CxE             | Overall L x M            |
|----------------|-----------------------------------|---------|----------------------------|---------|---------|--------------------------|--------------------------|--------------------------|
|                |                                   |         | "G"                        | SS      | AL      |                          |                          |                          |
| BN4060403AL    | 6.00x4.00x3.00<br>(152x102x89)    | P0606   | P0606G                     | P0606SS | P0606AL | 4.88x2.88<br>(124x73)    | 16.75x12.00<br>(425x305) | 17.50x15.63<br>(445x397) |
| BN4060604AL    | 6.00x6.00x4.00<br>(152x152x102)   | P0606   | P0606G                     | P0606SS | P0606AL | 4.88x4.88<br>(124x124)   | 6.75x4.00<br>(171x102)   | 7.50x7.63<br>(191x194)   |
| BN4080603AL    | 8.00x6.00x3.50<br>(203x152x89)    | P0606   | P0606G                     | P0606SS | P0606AL | 6.88x4.88<br>(175x124)   | 8.75x4.00<br>(222x102)   | 9.50x7.63<br>(241x194)   |
| BN4100804AL    | 10.00x8.00x4.00<br>(254x203x102)  | P0606   | P0606G                     | P0606SS | P0606AL | 8.88x6.88<br>(226x175)   | 10.75x6.00<br>(273x152)  | 11.50x9.63<br>(292x244)  |
| BN4121005AL    | 12.00x10.00x5.00<br>(305x254x127) | P0606   | P0606G                     | P0606SS | P0606AL | 10.88x8.88<br>(276x226)  | 12.75x8.00<br>(324x203)  | 13.50x11.63<br>(343x295) |
| BN4141206AL    | 14.00x12.00x6.00<br>(356x305x152) | P0606   | P0606G                     | P0606SS | P0606AL | 12.88x10.88<br>(327x276) | 14.75x10.00<br>(375x254) | 15.50x13.63<br>(394x346) |
| BN4161406AL    | 16.00x14.00x6.00<br>(406x356x152) | P0606   | P0606G                     | P0606SS | P0606AL | 14.88x12.88<br>(378x327) | 16.75x12.00<br>(425x305) | 17.50x15.63<br>(445x397) |

\*Back panels must be ordered separately



Panel (Order Separately)



## BN4 - CHAL SERIES ENCLOSURES NEMA 4X JIC CONTINUOUS HINGE WALL-MOUNT



BN4080603CHAL

### Industry Standards

UL 50, Type 4, 4X, 12 & 13  
CSA Certified, Type 4 & 12  
NEMA/EEMAC Type 4, 4X, 12 & 13  
IEC 60529, IP66

 UL File E6924, E64791, E470978

 CSA File LL66078

## FEATURES-SPECIFICATIONS

### Applications

Designed as an instrument housing or junction box for electrical, electronic, or pneumatic components. It is ideal for applications where a lightweight, corrosion resistant enclosure is required.

### Construction

- Bodies and doors are fabricated from aluminum
- Seams are continuously welded and ground smooth
- Doors are sealed with a poured in place gasket

- External mounting plate on the top and bottom of the enclosure
- Weldnuts are provided to secure **optional** back panels
- Stainless steel screws and clamps are included to assure a water-tight seal
- Grounding provisions are provided
- Door is removed by pulling the stainless steel hinge pin

### Finish

- Exterior surfaces of the enclosure have a smooth grained finish

- **Optional** back panels are painted with a white polyester powder
- **Optional** "G" panels are pre-galvanized steel
- **Optional** 304SS back panels are made of 304 stainless steel
- **Optional** AL panels are unpainted aluminum

### Accessories

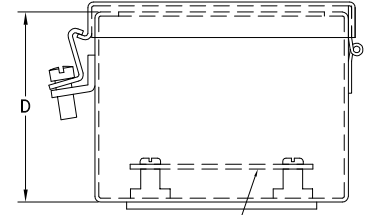
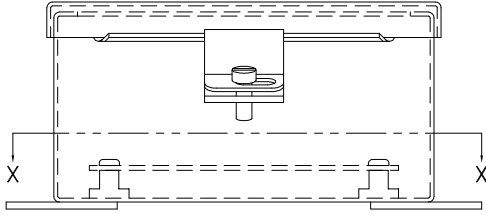
- Back panels (reference table)
- See pages L1-L24

### BN4-CHAL SERIES CONTINUOUS HINGE ALUMINUM ENCLOSURES

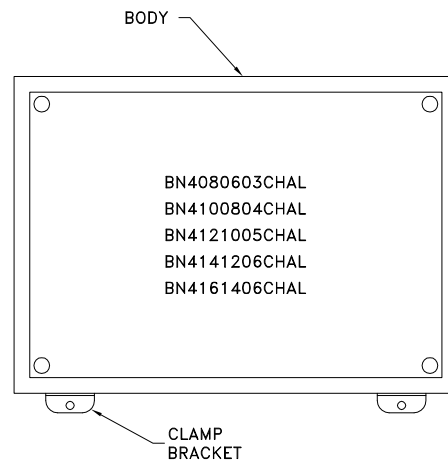
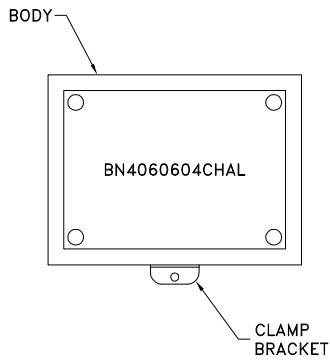
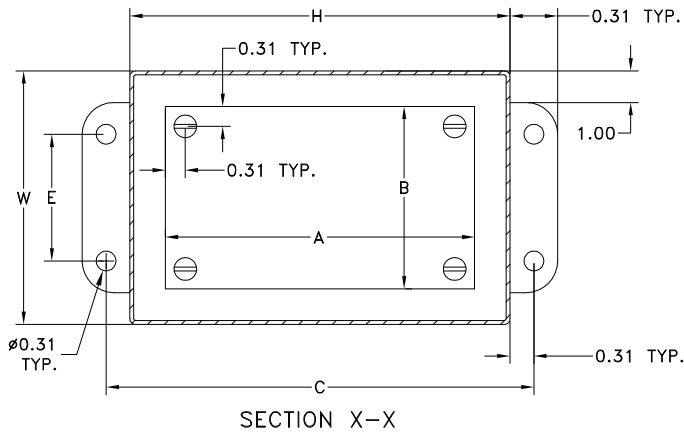
| Catalog Number | Enclosure Size<br>HxWxD           | Painted | Back Panel Catalog Number* |         |         | Back Panel<br>AxB        | Mounting<br>CxE          | Overall<br>L x M         |
|----------------|-----------------------------------|---------|----------------------------|---------|---------|--------------------------|--------------------------|--------------------------|
|                |                                   |         | "G"                        | SS      | AL      |                          |                          |                          |
| BN4060403AL    | 6.00x4.00x3.00<br>(152x102x76)    | P0606   | P0606G                     | P0606SS | P0606AL | 4.88x2.88<br>(124x73)    | 6.75x2.00<br>(171x51)    | 7.50x5.63<br>(191x143)   |
| BN4060604CHAL  | 6.00x6.00x4.00<br>(152x152x102)   | P0606   | P0606G                     | P0606SS | P0606AL | 4.88x4.88<br>(124x124)   | 6.75x4.00<br>(171x102)   | 7.50x7.00<br>(191x178)   |
| BN4080603CHAL  | 8.00x6.00x3.50<br>(203x152x89)    | P0606   | P0606G                     | P0606SS | P0606AL | 6.88x4.88<br>(175x124)   | 8.75x4.00<br>(222x102)   | 9.50x7.00<br>(241x178)   |
| BN4100804CHAL  | 10.00x8.00x4.00<br>(254x203x102)  | P0606   | P0606G                     | P0606SS | P0606AL | 8.88x6.88<br>(226x175)   | 10.75x6.00<br>(273x152)  | 11.50x9.00<br>(292x229)  |
| BN4121005CHAL  | 12.00x10.00x5.00<br>(305x254x127) | P0606   | P0606G                     | P0606SS | P0606AL | 10.88x8.88<br>(276x226)  | 12.75x8.00<br>(324x203)  | 13.50x11.00<br>(343x279) |
| BN4141206CHAL  | 14.00x12.00x6.00<br>(356x305x152) | P0606   | P0606G                     | P0606SS | P0606AL | 12.88x10.88<br>(327x276) | 14.75x10.00<br>(375x254) | 15.50x13.00<br>(394x330) |
| BN4161406CHAL  | 16.00x14.00x6.00<br>(406x356x152) | P0606   | P0606G                     | P0606SS | P0606AL | 14.88x12.88<br>(378x327) | 16.75x12.00<br>(425x305) | 17.50x15.00<br>(445x381) |

\*Back panels must be ordered separately.






Panel (Order Separately)




**WA121206GSCSS**
**Industry Standards**

UL 50, Type 4, 4X, 12 & 13  
 CSA Certified, Type 4, 4X & 12  
 NEMA/EEMAC Type 4, 4X, 12 & 13  
 JIC EL-1-71  
 IEC IP66

 UL File E23553

 CSA File LL 66078

**FEATURES-SPECIFICATIONS**
**Applications**

Designed for use as a wiring box, junction box, pull box or terminal box with many indoor and outdoor applications where dust or moisture is a problem

**Construction**

- Bodies and doors are fabricated from 304 stainless steel
- Seams are continuously welded and ground smooth
- Cover contains a closed cell oil resistant neoprene gasket
- Enclosure comes with stainless steel cover screws which thread into sealed wells to prevent liquid, dust, etc. from entering into the enclosure through the screw holes
- Ground stud is located in the door
- No mounting provisions are provided

**Finish**

- Exterior surfaces of the enclosure have a smooth grained finish

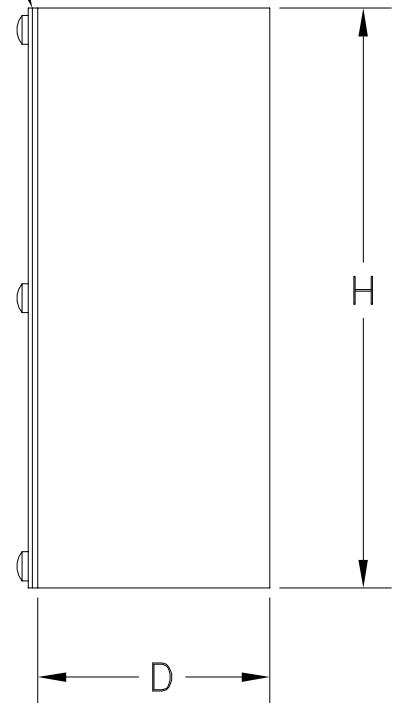
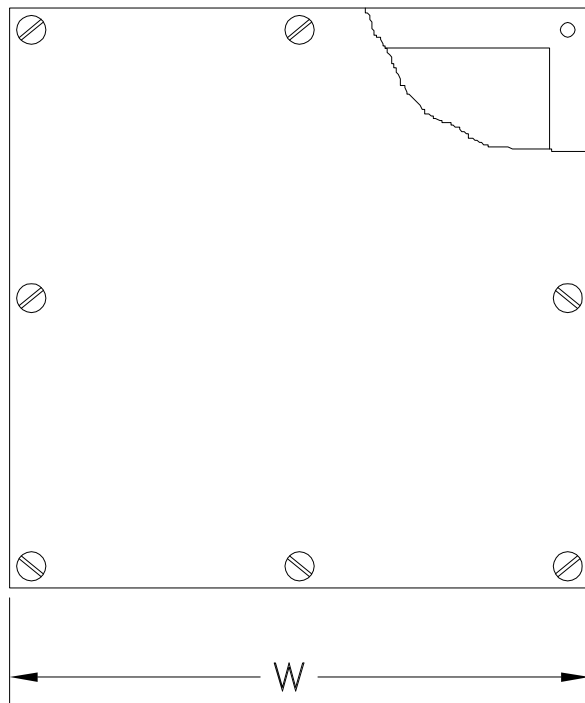
**Accessories**

- See pages L1-L24

**WA-GSCSS SERIES 304SS SCREW-COVER ENCLOSURES**

| CATALOG NUMBER | ENCLOSURE SIZE<br>H x W x D      |
|----------------|----------------------------------|
| WA060604GSCSS  | 6.125x6.125x4.00 (155x155x102)   |
| WA060606GSCSS  | 6.125x6.125x6.00 (155x155x152)   |
| WA060804GSCSS  | 6.125x8.125x4.00 (155x206x102)   |
| WA060806GSCSS  | 6.125x8.125x6.00 (155x206x152)   |
| WA080804GSCSS  | 8.125x8.125x4.00 (206x206x102)   |
| WA080806GSCSS  | 8.125x8.125x6.00 (206x206x152)   |
| WA081004GSCSS  | 8.125x10.125x4.00 (206x257x102)  |
| WA101004GSCSS  | 10.125x10.125x4.00 (257x257x102) |
| WA101006GSCSS  | 10.125x10.125x6.00 (257x257x152) |
| WA101206GSCSS  | 10.125x12.125x6.00 (257x308x152) |
| WA121204GSCSS  | 12.125x12.125x4.00 (308x308x102) |
| WA121206GSCSS  | 12.125x12.125x6.00 (308x308x152) |
| WA121606GSCSS  | 12.125x16.125x6.00 (308x409x152) |
| WA121608GSCSS  | 12.125x16.125x8.00 (308x409x203) |
| WA161606GSCSS  | 16.125x16.125x6.00 (409x409x152) |
| WA161608GSCSS  | 16.125x16.125x8.00 (409x409x203) |
| WA181806GSCSS  | 18.125x18.125x6.00 (460x460x152) |
| WA202008GSCSS  | 20.125x20.125x8.00 (511x511x203) |
| WA202408GSCSS  | 20.125x24.125x8.00 (511x613x203) |
| WA242406GSCSS  | 24.125x24.125x6.00 (613x613x152) |
| WA242408GSCSS  | 24.125x24.125x8.00 (613x613x203) |
| WA303012GSCSS  | 30.25x30.25x12.00 (768x768x305)  |
| WA363612GSCSS  | 36.25x36.25x12.00 (920x920x305)  |

CLOSED CELL GASKET  
PROVIDED



## WC - CSS SERIES ENCLOSURES NEMA 12 CONSOLE SINGLE DOOR



WC12C12SS

### Industry Standards

UL 508A, Type 12 &amp; 13

CSA Certified, Type 12

NEMA/EEMAC Type 12 &amp; 13

 UL Files E64791

 CSA File LL66078

## FEATURES-SPECIFICATIONS

### Applications

Designed to house a variety of electronic control or instrumentation devices. Consolets provide protection from dust, dirt, oil, and water. Flexible design allows for mounting on either of two sides, creating control surfaces of 30 degrees or 60 degrees. Consolets can be mounted on desktops, pedestals, or other flat surfaces.

### Construction

- Bodies and doors are fabricated from 304 stainless steel
- Seams are continuously welded and ground smooth
- Captivated cover screws thread into sealed wells
- Cover is removed by pulling the stainless steel hinge pin

- Closed cell oil resistant neoprene gasket
- Grounding provisions are provided

### Finish

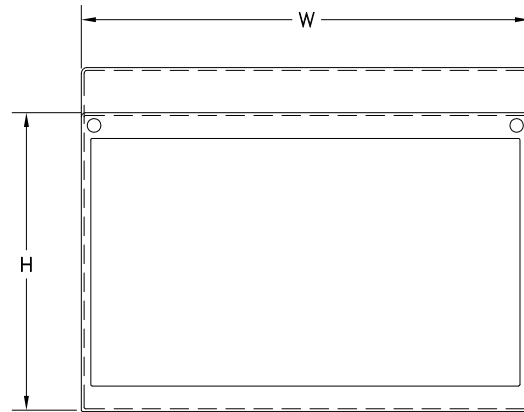
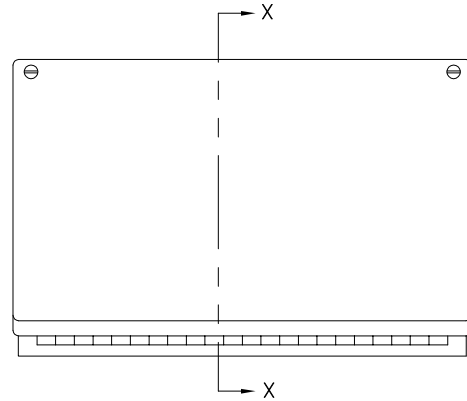
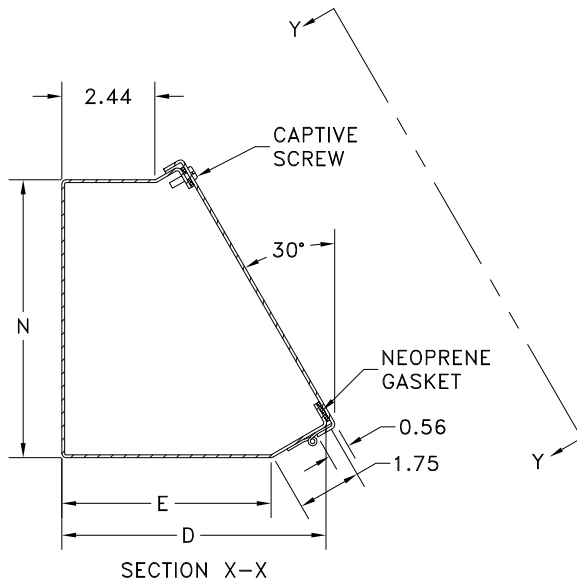
- Exterior surfaces of the enclosure have a smooth grained finish

### Accessories

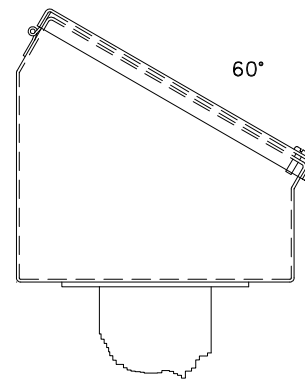
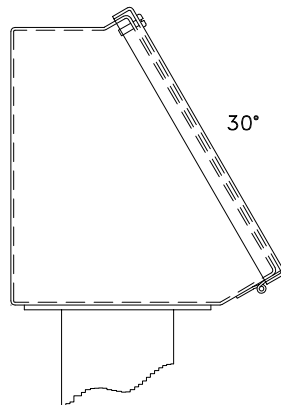
- See pages L1-L24

### WC-CSS SERIES CONSOLE ENCLOSURES

| Catalog Number | Enclosure Size<br>HxWxD         | E           | N           |
|----------------|---------------------------------|-------------|-------------|
| WC08C08SS      | 8.00x8.00x7.09 (203x203x180)    | 5.69 (144)  | 7.44 (189)  |
| WC08C12SS      | 8.00x12.00x7.09 (203x305x180)   | 5.69 (144)  | 7.44 (189)  |
| WC08C16SS      | 8.00x16.00x7.09 (203x406x180)   | 5.69 (144)  | 7.44 (189)  |
| WC08C20SS      | 8.00x20.00x7.09 (203x508x180)   | 5.69 (144)  | 7.44 (189)  |
| WC12C12SS      | 12.00x12.00x9.09 (305x305x231)  | 7.69 (195)  | 10.91 (277) |
| WC12C16SS      | 12.00x16.00x9.09 (305x406x231)  | 7.69 (195)  | 10.91 (277) |
| WC12C20SS      | 12.00x20.00x9.09 (305x508x231)  | 7.69 (195)  | 10.91 (277) |
| WC12C24SS      | 12.00x24.00x9.09 (305x610x231)  | 7.69 (195)  | 10.91 (277) |
| WC16C16SS      | 16.00x16.00x11.09 (406x406x282) | 9.69 (246)  | 14.38 (365) |
| WC16C20SS      | 16.00x20.00x11.09 (406x508x282) | 9.69 (246)  | 14.38 (365) |
| WC16C24SS      | 16.00x24.00x11.09 (406x610x282) | 9.69 (246)  | 14.38 (365) |
| WC16C30SS      | 16.00x30.00x11.09 (406x762x282) | 9.69 (246)  | 14.38 (365) |
| WC16C36SS      | 16.00x36.00x11.09 (406x914x282) | 9.69 (246)  | 14.38 (365) |
| WC20C20SS      | 20.00x20.00x13.09 (508x508x333) | 11.69 (297) | 17.84 (453) |
| WC20C24SS      | 20.00x24.00x13.09 (508x610x333) | 11.69 (297) | 17.84 (453) |
| WC20C30SS      | 20.00x30.00x13.09 (508x762x333) | 11.69 (297) | 17.84 (453) |



VIEW Y-Y WITH COVER REMOVED



Consolet can be positioned at 30° or 60° angle.

## N412 - SSC ULTIMATE SERIES ENCLOSURES NEMA 4X SINGLE DOOR WALL-MOUNT



N412201606SSC

### Industry Standards

UL 508A, Type 3R, 4, 4X, 12 & 13  
CSA Certified, Type 3R, 4, 4X, 12  
NEMA/EEMAC Type 3R, 4, 4X, 12 & 13  
IEC 60529, IP66

Wall mounting kits required to  
maintain UL/CSA external mounting  
requirements

 UL Files E64791, E470978

 CSA File LL66078

## FEATURES-SPECIFICATIONS

### Applications

N412SSC ULTIMATE Stainless Steel Series Enclosures are designed to house and protect electrical and electronic components in harsh, dirty environments. For use in installations where dirt, dust, oil, water, or other contaminants are present. Streamlined styling, flush latching, and attractive Stainless Steel finish complement any high tech electronic equipment.

### Construction

- Bodies and doors are fabricated from 304 or 316L Stainless Steel
- Seams are continuously welded and ground smooth
- Increased tub opening for better access

- Concealed hinges
- Doors are interchangeable and easily removed
- Ground stud located in the door & tub
- 1/4-turn semi-flush latches are supplied to hold door securely closed
- Doors are sealed with a poured in place gasket
- Mounting holes in the back of the enclosure
- Studs for mounting **optional** Ultimate Series back panels are provided

### Finish

- Exterior surfaces of the enclosure have a smooth grained finish
- **Optional** back panels are painted with a white polyester powder
- **Optional** "G" panels are pre-galvanized steel (see page L8)
- **Optional** 304SS back panels are made of 304 stainless steel

### Accessories

- Back panels (reference table)
- See pages L22-L24 for ULTIMATE Series Accessories
- **Optional** N412MFKSS mounting foot kit must be ordered separately

### N412-SSC ULTIMATE SERIES SINGLE DOOR STAINLESS STEEL ENCLOSURES

| Catalog Number |                | Enclosure Size<br>HxWxD        | Back Panel Catalog Number* |           |          | Back Panel<br>Size AxB |
|----------------|----------------|--------------------------------|----------------------------|-----------|----------|------------------------|
| 304 SS         | 316L SS        |                                | White                      | 304 SS    | "G"      |                        |
| N412121206SSC  | N412121206SSAC | 2.00x12.00x6.00 (305x305x152)  | NP1212C                    | NP1212SSC | NP1212CG | 10.2x10.2 (259x259)    |
| N412161206SSC  | N412161206SSAC | 16.00x12.00x6.00 (406x305x152) | NP1612C                    | NP1612SSC | NP1612CG | 14.2x10.2 (361x259)    |
| N412161606SSC  | N412161606SSAC | 16.00x16.00x6.00 (406x406x152) | NP1616C                    | NP1616SSC | NP1616CG | 14.2x14.2 (361x361)    |
| N412201606SSC  | N412201606SSAC | 20.00x16.00x6.00(508x406x152)  | NP2016C                    | NP2016SSC | NP2016CG | 18.2x14.2 (462x361)    |
| N412202006SSC  | N412202006SSAC | 20.00x20.00x6.00(508x508x152)  | NP2020C                    | NP2020SSC | NP2020CG | 18.2x18.2 (462x462)    |
| N412121208SSC  | N412121208SSAC | 12.00x12.00x8.00 (305x305x203) | NP1212C                    | NP1212SSC | NP1212CG | 10.2x10.2 (259x259)    |
| N412141408SSC  | N412141408SSAC | 14.00x14.00x8.00 (355x355x203) | NP1414C                    | NP1414SSC | NP1414CG | 12.2x12.2 (309x309)    |
| N412161208SSC  | N412161208SSAC | 16.00x12.00x8.00 (406x305x203) | NP1612C                    | NP1612SSC | NP1612CG | 14.2x10.2 (361x259)    |
| N412161608SSC  | N412161608SSAC | 16.00x16.00x8.00 (406x406x203) | NP1616C                    | NP1616SSC | NP1616CG | 14.2x14.2 (361x361)    |
| N412162008SSC  | N412162008SSAC | 16.00x20.00x8.00 (406x508x203) | NP2016C                    | NP2016SSC | NP2016CG | 14.2x18.2 (361x462)    |
| N412201608SSC  | N412201608SSAC | 20.00x16.00x8.00 (508x406x203) | NP2016C                    | NP2016SSC | NP2016CG | 18.2x14.2 (462x361)    |
| N412202008SSC  | N412202008SSAC | 20.00x20.00x8.00 (508x508x203) | NP2020C                    | NP2020SSC | NP2020CG | 18.2x18.2 (462x462)    |
| N412241608SSC  | N412241608SSAC | 24.00x16.00x8.00 (610x406x203) | NP2416C                    | NP2416SSC | NP2416CG | 22.2x14.2 (564x361)    |

\* Back panels must be ordered separately.

continued on page E23

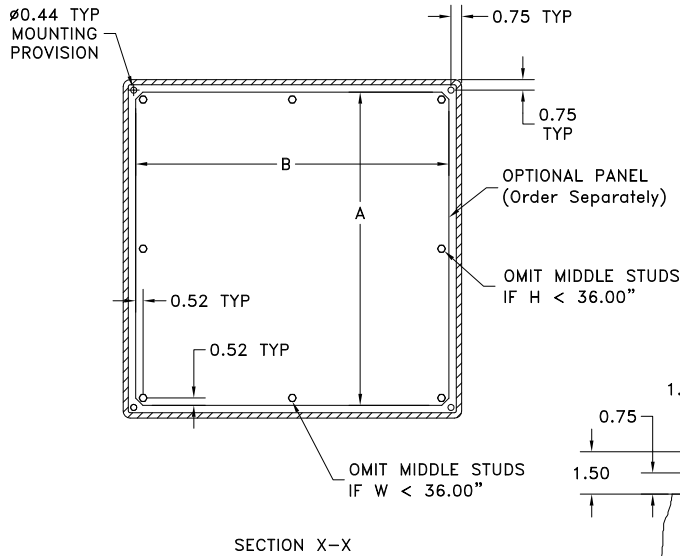
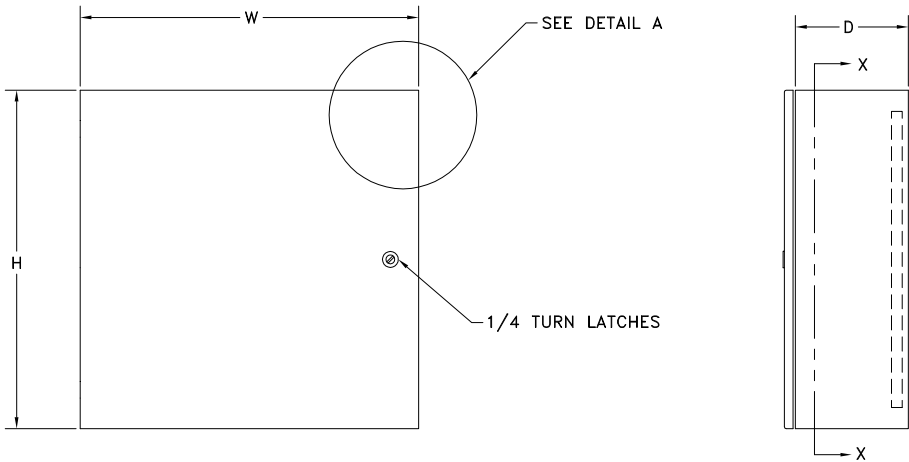
## N412 - SSC ULTIMATE SERIES ENCLOSURES NEMA 4X SINGLE DOOR WALL-MOUNT

E23

### N412-SSC ULTIMATE SERIES SINGLE DOOR STAINLESS STEEL ENCLOSURES (CONT.)

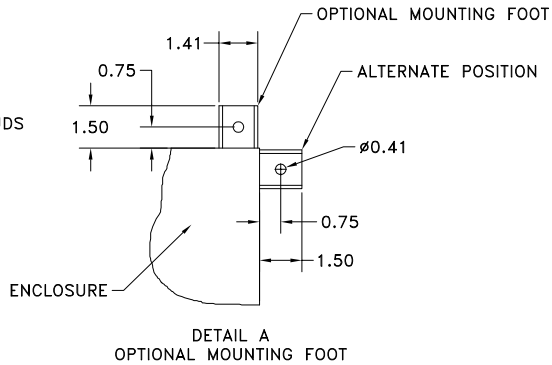
| Catalog Number |                | Enclosure Size<br>HxWxD         | Back Panel Catalog Number* |           |          | Back Panel<br>Size AxB |
|----------------|----------------|---------------------------------|----------------------------|-----------|----------|------------------------|
| 304 SS         | 316L SS        |                                 | White                      | 304 SS    | "G"      |                        |
| N412242008SSC  | N412242008SSAC | 24.00x20.00x8.00(610x508x203)   | NP2420C                    | NP2420SSC | NP2420CG | 22.2x18.2(564x462)     |
| N412242408SSC  | N412242408SSAC | 24.00x24.00x8.00(610x610x203)   | NP2424C                    | NP2424SSC | NP2424CG | 22.2x22.2(564x564)     |
| N412302408SSC  | N412302408SSAC | 30.00x24.00x8.00(762x610x203)   | NP3024C                    | NP3024SSC | NP3024CG | 28.2x22.2(716x564)     |
| N412303008SSC  | N412303008SSAC | 30.00x30.00x8.00(762x610x203)   | NP3030C                    | NP3030SSC | NP3030CG | 28.2x28.2(716x716)     |
| N412362408SSC  | N412362408SSAC | 36.00x24.00x8.00(914x610x203)   | NP3624C                    | NP3624SSC | NP3624CG | 34.2x22.2(869x564)     |
| N412363008SSC  | N412363008SSAC | 36.00x30.00x8.00(914x762x203)   | NP3630C                    | NP3630SSC | NP3630CG | 34.2x28.2(869x716)     |
| N412161210SSC  | N412161210SSAC | 16.00x12.00x10.00(406x305x254)  | NP1612C                    | NP1612SSC | NP1612CG | 14.2x10.2(361x259)     |
| N412161610SSC  | N412161610SSAC | 16.00x16.00x10.00(406x406x254)  | NP1616C                    | NP1616SSC | NP1616CG | 14.2x14.2(361x361)     |
| N412162010SSC  | N412162010SSAC | 16.00x20.00x10.00(406x508x203)  | NP1620C                    | NP1620SSC | NP1620CG | 14.2x18.2(361x467)     |
| N412201610SSC  | N412201610SSAC | 20.00x16.00x10.00(508x406x254)  | NP2016C                    | NP2016SSC | NP2016CG | 18.2x14.2(467x361)     |
| N412202010SSC  | N412202010SSAC | 20.00x20.00x10.00(508x508x254)  | NP2020C                    | NP2020SSC | NP2020CG | 18.2x18.2(467x467)     |
| N412241610SSC  | N412241610SSAC | 24.00x16.00x10.00(610x406x254)  | NP2416C                    | NP2416SSC | NP2416CG | 22.2x14.2(564x361)     |
| N412242010SSC  | N412242010SSAC | 24.00x20.00x10.00(610x508x254)  | NP2020C                    | NP2020SSC | NP2020CG | 18.2x18.2(467x467)     |
| N412242410SSC  | N412242410SSAC | 24.00x24.00x10.00(610x610x254)  | NP2424C                    | NP2424SSC | NP2424CG | 22.2x22.2(569x569)     |
| N412302410SSC  | N412302410SSAC | 30.00x24.00x10.00(762x610x254)  | NP3024C                    | NP3024SSC | NP3024CG | 28.2x22.2(716x564)     |
| N412303010SSC  | N412303010SSAC | 30.00x30.00x10.00(762x762x254)  | NP3030C                    | NP3030SSC | NP3030CG | 28.2x28.2(716x716)     |
| N412362410SSC  | N412362410SSAC | 36.00x24.00x10.00(914x610x254)  | NP3624C                    | NP3624SSC | NP3624CG | 34.2x22.2(869x564)     |
| N412363010SSC  | N412363010SSAC | 36.00x30.00x10.00(914x762x254)  | NP3630C                    | NP3630SSC | NP3630CG | 34.2x28.2(869x716)     |
| N412363610SSC  | N412363610SSAC | 36.00x36.00x10.00(914x914x254)  | NP3636C                    | NP3636SSC | NP3636CG | 34.2x34.2(869x869)     |
| N412423610SSC  | N412423610SSAC | 42.00x36.00x10.00(1067x914x254) | NP4236C                    | NP4236SSC | NP4236CG | 40.2x34.2(1021x869)    |
| N412483610SSC  | N412483610SSAC | 48.00x36.00x10.00(1219x914x254) | NP4836C                    | NP4836SSC | NP4836CG | 46.2x34.2(1173x869)    |
| N412603610SSC  | N412603610SSAC | 60.00x36.00x10.00(1524x914x254) | NP6036C                    | NP6036SSC | NP6036CG | 58.2x34.2(1478x869)    |
| N412202012SSC  | N412202012SSAC | 20.00x20.00x12.00(508x508x305)  | NP2020C                    | NP2020SSC | NP2020CG | 18.2x18.2(462x462)     |
| N412242412SSC  | N412242412SSAC | 24.00x24.00x12.00(610x610x305)  | NP2424C                    | NP2424SSC | NP2424CG | 22.2x22.2(564x564)     |
| N412302412SSC  | N412302412SSAC | 30.00x24.00x12.00(762x610x305)  | NP3024C                    | NP3024SSC | NP3024CG | 28.2x22.2(716x564)     |
| N412362412SSC  | N412362412SSAC | 36.00x24.00x12.00(914x610x305)  | NP3624C                    | NP3624SSC | NP3624CG | 34.2x22.2(869x564)     |
| N412363012SSC  | N412363012SSAC | 36.00x30.00x12.00(914x762x305)  | NP3630C                    | NP3630SSC | NP3630CG | 34.2x28.2(869x716)     |
| N412363612SSC  | N412363612SSAC | 36.00x36.00x12.00(914x914x305)  | NP3636C                    | NP3636SSC | NP3636CG | 34.2x34.2(869x869)     |
| N412423612SSC  | N412423612SSAC | 42.00x36.00x12.00(1067x914x305) | NP4236C                    | NP4236SSC | NP4236CG | 40.2x34.2(1021x869)    |
| N412483612SSC  | N412483612SSAC | 48.00x36.00x12.00(1219x914x305) | NP4836C                    | NP4836SSC | NP4836CG | 46.2x34.2(1173x869)    |
| N412603612SSC  | N412603612SSAC | 60.00x36.00x12.00(1524x914x305) | NP6036C                    | NP6036SSC | NP6036CG | 58.2x34.2(1478x869)    |

\* Back panels must be ordered separately.



**Notes:**

1. Enclosures that are 24"x24" or larger receive two 1/4 turn latches. When H=40.00" or more a 3-point latch is provided.
2. Two hinges provided when H<36.00". Three hinges provided when H=36.00" or greater. Four hinges provided when H=48.00" or greater.





# N412 - WSSC ULTIMATE SERIES ENCLOSURES NEMA 4X SINGLE DOOR WALL-MOUNT WITH WINDOW

E25



N412202006WSSC

## Industry Standards

UL 508A, Type 3R, 4, 4X, 12  
CSA Certified, Type 3R, 4, 4X, 12  
NEMA/EEMAC Type 3R, 4, 4X, 12  
IEC 60529, IP66

Wall mounting kits required to maintain UL/CSA external mounting requirements

UL Files E64791, E470978

CSA File LL66078

## FEATURES-SPECIFICATIONS

### Applications

N412SSC ULTIMATE Series Enclosures are designed to house and protect electrical and electronic components in harsh, dirty environments. For use in installations where dirt, dust, oil, water, or other contaminants are present. Streamlined styling, flush latching, and attractive Stainless Steel finish complement any high tech electronic equipment.

### Construction

- Bodies and doors are fabricated from 304 or 316L Stainless Steel
- Seams are continuously welded and ground smooth
- Increased tub opening for better access

- Polycarbonate viewing window for clear visibility
- Concealed hinges
- Doors are interchangeable and easily removed
- Ground stud located in the door & tub
- 1/4-turn semi-flush latches are supplied to hold door securely closed
- Doors are sealed with a poured in place gasket
- Mounting holes in the back of the enclosure
- Studs for mounting optional Ultimate Series back panels are provided

### Finish

- Exterior surfaces of the enclosure have a smooth grained finish
- **Optional** back panels are painted with a white polyester powder
- **Optional** "G" panels are pre-galvanized steel (see page L8)
- **Optional** 304SS back panels are made of 304 stainless steel

### Accessories

- Back panels (reference table)
- See pages L22-L24 for ULTIMATE Series Accessories
- **Optional** N412MFKSS mounting foot kit must be ordered separately (see page L8)

### N412WSSC ULTIMATE SERIES SINGLE DOOR WITH WINDOW STAINLESS STEEL ENCLOSURES

| Catalog Number<br>304 SS | Enclosure Size<br>HxWxD        | Window Size               | Back Panel Catalog Number* |          | Back Panel<br>Size AxB |
|--------------------------|--------------------------------|---------------------------|----------------------------|----------|------------------------|
|                          |                                |                           | White                      | "G"      |                        |
| N412121206WSSC           | 12.00x12.00x6.00 (305x305x152) | 7.50 x 6.25 (191 x 159)   | NP1212C                    | NP1212CG | 10.2x10.2 (259x259)    |
| N412161206WSSC           | 16.00x12.00x6.00 (406x305x152) | 11.50 x 6.25 (292 x 159)  | NP1612C                    | NP1612CG | 14.2x10.2 (361x259)    |
| N412201606WSSC           | 20.00x16.00x6.00 (508x406x152) | 15.50 x 10.25 (394 x 260) | NP2016C                    | NP2016CG | 18.2x14.2 (462x361)    |
| N412202006WSSC           | 20.00x20.00x6.00 (508x508x152) | 15.50 x 14.25 (394 x 362) | NP2020C                    | NP2020CG | 18.2x18.2 (462x462)    |
| N412242006WSSC           | 24.00x20.00x6.00 (610x508x152) | 19.50 x 14.25 (495 x 362) | NP2420C                    | NP2420CG | 22.2x18.2 (564x462)    |
| N412242406WSSC           | 24.00x24.00x6.00 (610x610x152) | 19.50 x 18.25 (495 x 464) | NP2424C                    | NP2424CG | 22.2x22.2 (564x564)    |
| N412302406WSSC           | 30.00x24.00x6.00 (762x610x152) | 25.50 x 18.25 (648 x 464) | NP3024C                    | NP3024CG | 28.2x22.2 (716x564)    |
| N412121208WSSC           | 12.00x12.00x8.00 (305x305x203) | 7.50 x 6.25 (191 x 159)   | NP1212C                    | NP1212CG | 10.2x10.2 (259x259)    |
| N412161208WSSC           | 16.00x12.00x8.00 (406x305x203) | 11.50 x 6.25 (292 x 159)  | NP1612C                    | NP1612CG | 14.2x10.2 (361x259)    |
| N412201608WSSC           | 20.00x16.00x8.00 (508x406x203) | 15.50 x 10.25 (394 x 260) | NP2016C                    | NP2016CG | 18.2x14.2 (462x361)    |
| N412202008WSSC           | 20.00x20.00x8.00 (508x508x203) | 15.50 x 14.25 (394 x 362) | NP2020C                    | NP2020CG | 18.2x18.2 (462x462)    |
| N412242008WSSC           | 24.00x20.00x8.00 (610x508x203) | 19.50 x 14.25 (495 x 362) | NP2420C                    | NP2420CG | 22.2x18.2 (564x462)    |

\*Back panels must be ordered separately.

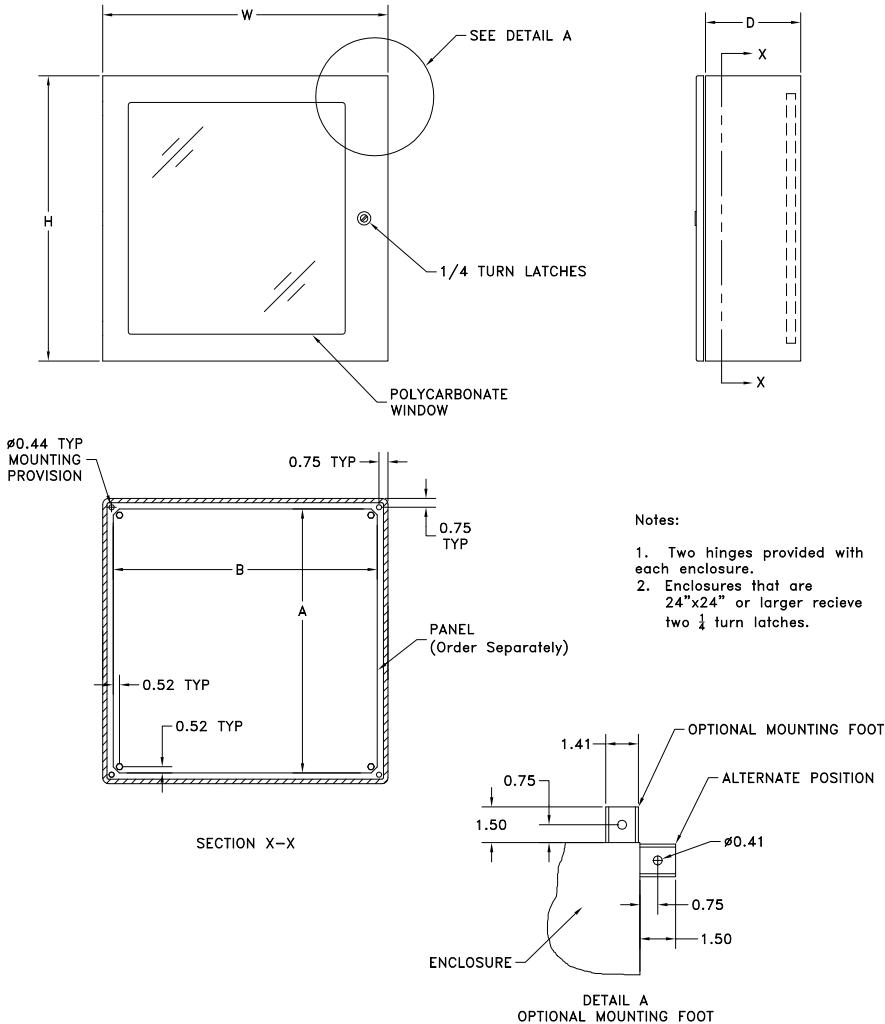
continued on page E26

**N412 - WSSC ULTIMATE SERIES ENCLOSURES  
NEMA 4X SINGLE DOOR WALL-MOUNT WITH WINDOW**

N412WSSC ULTIMATE SERIES SINGLE DOOR WITH WINDOW STAINLESS STEEL ENCLOSURES (CONT.)

| Catalog Number<br>304 SS | Enclosure Size<br>HxWxD         | Window Size               | Back Panel Catalog Number* |          | Back Panel<br>Size AxB |
|--------------------------|---------------------------------|---------------------------|----------------------------|----------|------------------------|
|                          |                                 |                           | White                      | "G"      |                        |
| N412242408WSSC           | 24.00x24.00x8.00 (610x610x203)  | 19.50 x 18.25 (495 x 464) | NP2424C                    | NP2424CG | 22.2x22.2 (564x564)    |
| N412302408WSSC           | 30.00x24.00x8.00 (762x610x203)  | 25.50 x 18.25 (648 x 464) | NP3024C                    | NP3024CG | 28.2x22.2 (716x564)    |
| N412161210WSSC           | 16.00x12.00x10.00 (406x305x254) | 11.50 x 6.25 (292 x 159)  | NP1612C                    | NP1612CG | 14.2x10.2 (361x259)    |
| N412201610WSSC           | 20.00x16.00x10.00 (508x406x254) | 15.50 x 10.25 (394 x 260) | NP2016C                    | NP2016CG | 18.2x14.2 (462x361)    |
| N412202010WSSC           | 20.00x20.00x10.00 (508x508x254) | 15.50 x 14.25 (394 x 362) | NP2020C                    | NP2020CG | 18.2x18.2 (462x462)    |
| N412242010WSSC           | 24.00x20.00x10.00 (610x508x254) | 19.50 x 14.25 (495 x 362) | NP2420C                    | NP2420CG | 22.2x18.2 (564x462)    |
| N412242410WSSC           | 24.00x24.00x10.00 (610x610x254) | 19.50 x 18.25 (495 x 464) | NP2424C                    | NP2424CG | 22.2x22.2 (564x564)    |
| N412302410WSSC           | 30.00x24.00x10.00 (762x610x254) | 25.50 x 18.25 (648 x 464) | NP3024C                    | NP3024CG | 28.2x22.2 (716x564)    |
| N412202012WSSC           | 20.00x20.00x12.00 (508x508x305) | 15.50 x 14.25 (394 x 362) | NP2020C                    | NP2020CG | 18.2x18.2 (462x462)    |
| N412242012WSSC           | 24.00x20.00x12.00 (610x508x305) | 19.50 x 14.25 (495 x 362) | NP2420C                    | NP2420CG | 22.2x18.2 (564x462)    |
| N412242412WSSC           | 24.00x24.00x12.00 (610x610x305) | 19.50 x 18.25 (495 x 464) | NP2424C                    | NP2424CG | 22.2x22.2 (564x564)    |
| N412302412WSSC           | 30.00x24.00x12.00 (762x610x305) | 25.50 x 18.25 (648 x 464) | NP3024C                    | NP3024CG | 28.2x22.2 (716x564)    |
| N412242416WSSC           | 24.00x24.00x16.00 (610x610x406) | 19.50 x 18.25 (495 x 464) | NP2424C                    | NP2424CG | 22.2x22.2 (564x564)    |
| N412242420WSSC           | 24.00x24.00x20.00 (610x610x508) | 19.50 x 18.25 (495 x 464) | NP2424C                    | NP2424CG | 22.2x22.2 (564x564)    |
| N412302420WSSC           | 30.00x24.00x20.00 (762x610x508) | 25.50 X 18.25 (648 X 464) | NP3024C                    | NP3024CG | 28.2X22.2 (716X564)    |

\*Back panels must be ordered separately.





**N412201606SS3PTC**

**Industry Standards**

UL 508A, Type 3R, 4, 4X, 12 & 13  
CSA Certified, Type 3R, 4, 4X, 12  
NEMA/EEMAC Type 3R, 4, 4X, 12 & 13  
IEC 60529, IP66

Wall mounting kits required to maintain UL/CSA external mounting requirements

 UL Files E64791, E470978

 CSA File LL66078

**FEATURES-SPECIFICATIONS**

**Applications**

N412SS3PTC ULTIMATE Series Enclosures are designed to house and protect electrical and electronic components in harsh, dirty environments. For use in installations where dirt, dust, oil, water, or other contaminants are present. Streamlined styling, flush latching, and attractive durable finish complements any high tech electronic equipment.

**Construction**

- Bodies and doors are fabricated from 304 or 316L stainless steel

- Seams are continuously welded and ground smooth
- Doors are interchangeable and easily removed
- Grounding studs are welded to the door and body assuring a positive ground
- Foam in place door gasket
- Mounting holes in the back of the enclosure
- Collar studs for mounting **optional** back panels are provided
- 3-point 316L SS padlocking handle

**Finish**

- Exterior surfaces of the enclosure have a smooth grained finish
- **Optional** back panels are painted with a white polyester powder
- **Optional** “G” panels are pre-galvanized steel
- **Optional** 304SS back panels are made of 304 stainless steel

**Accessories**

- Back panels (reference table)
- See pages L1-L24
- **Optional** N412MFKSS mounting foot kit must be ordered separately

**N412 SS3PTC SERIES SINGLE DOOR WALL-MOUNT 304 STAINLESS ENCLOSURES**

| Catalog Number   | Enclosure Size<br>HxWxD        | Back Panel Catalog Number* |           |          | Back Panel<br>Size Ax B |
|------------------|--------------------------------|----------------------------|-----------|----------|-------------------------|
|                  |                                | White                      | 304 SS    | “G”      |                         |
| N412121206SS1PTC | 12.00x12.00x6.00 (305x305x152) | NP1212C                    | NP1212SSC | NP1212CG | 10.2x10.2(259x259)      |
| N412161206SS1PTC | 16.00x12.00x6.00 (406x305x152) | NP1612C                    | NP1612SSC | NP1612CG | 14.2x10.2 (361x259)     |
| N412161606SS1PTC | 16.00x16.00x6.00 (406x406x152) | NP1616C                    | NP1616SSC | NP1616CG | 14.2x14.2 (361x361)     |
| N412201606SS1PTC | 20.00x16.00x6.00 (508x406x152) | NP2016C                    | NP2016SSC | NP2016CG | 18.2x14.2 (462x361)     |
| N412202006SS1PTC | 20.00x20.00x6.00 (508x508x152) | NP2020C                    | NP2020SSC | NP2020CG | 18.2x18.2 (462x462)     |
| N412161208SS1PTC | 16.00x12.00x8.00 (406x305x203) | NP1612C                    | NP1612SSC | NP1612CG | 14.2x10.2 (361x259)     |
| N412161608SS1PTC | 16.00x16.00x8.00 (406x406x203) | NP1616C                    | NP1616SSC | NP1616CG | 14.2x14.2 (361x361)     |
| N412162008SS1PTC | 16.00x20.00x8.00 (406x508x203) | NP1620C                    | NP1620SSC | NP1620CG | 14.2x18.2 (361x462)     |
| N412201608SS1PTC | 20.00x16.00x8.00 (508x406x203) | NP2016C                    | NP2016SSC | NP2016CG | 18.2x14.2 (462x361)     |
| N412202008SS1PTC | 20.00x20.00x8.00 (508x508x203) | NP2020C                    | NP2020SSC | NP2020CG | 18.2x18.2 (462x462)     |
| N412241608SS3PTC | 24.00x16.00x8.00 (610x406x203) | NP2416C                    | NP2416SSC | NP2416CG | 22.2x14.2 (564x361)     |
| N412242008SS3PTC | 24.00x20.00x8.00 (610x508x203) | NP2420C                    | NP2420SSC | NP2420CG | 22.2x18.2 (564x462)     |
| N412242408SS3PTC | 24.00x24.00x8.00 (610x610x203) | NP2424C                    | NP2424SSC | NP2424CG | 22.2x22.2 (564x564)     |
| N412302408SS3PTC | 30.00x24.00x8.00 (762x610x203) | NP3024C                    | NP3024SSC | NP3024CG | 28.2x22.2 (716x564)     |
| N412303008SS3PTC | 30.00x30.00x8.00 (762x762x203) | NP3030C                    | NP3030SSC | NP3030CG | 28.2x28.2 (716x716)     |
| N412362408SS3PTC | 36.00x24.00x8.00 (914x610x203) | NP3624C                    | NP3624SSC | NP3624CG | 34.2x22.2 (869x564)     |

\*Back panels must be ordered separately.

Continued on page E28

## N412 - SS3PTC & SSA3PTC ULTIMATE SERIES ENCLOSURES NEMA 4, 4X & 12 SINGLE DOOR WALL-MOUNT

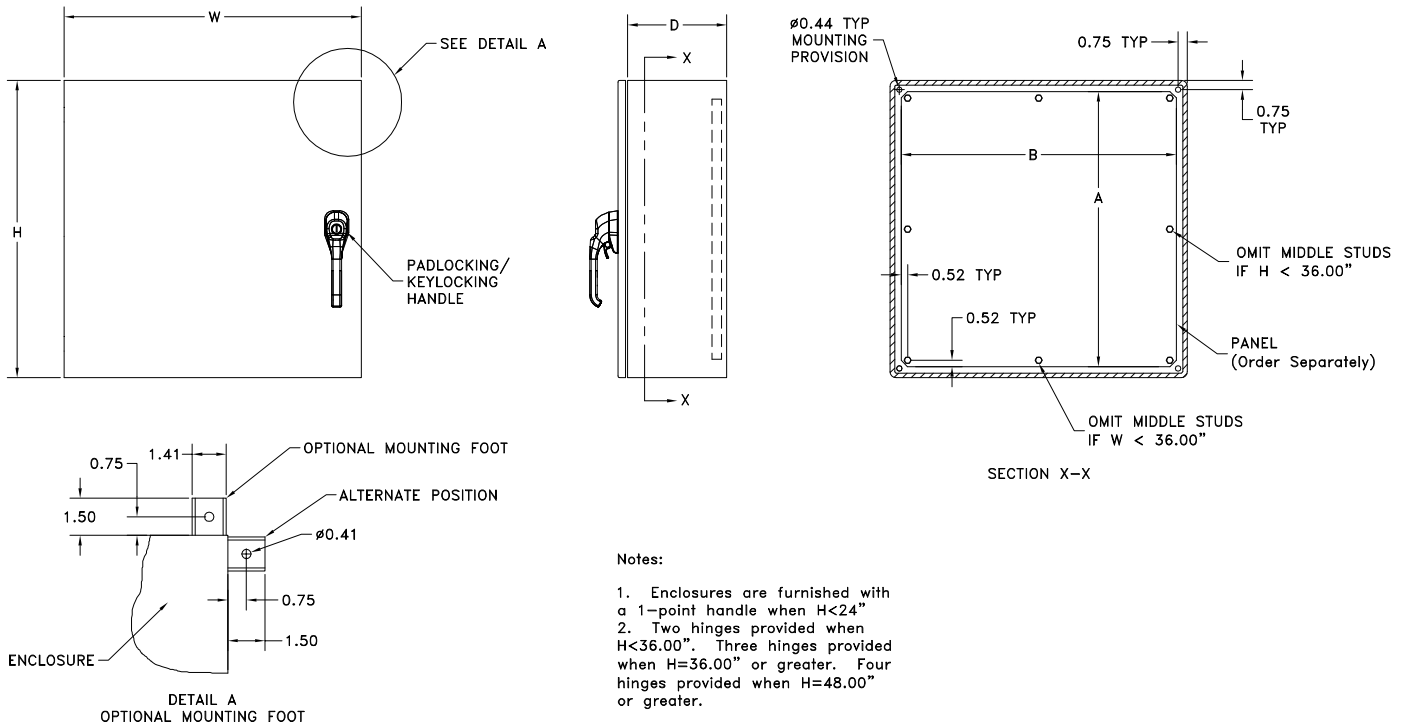
### N412 SS3PTC SERIES SINGLE DOOR WALL-MOUNT 304 STAINLESS STEEL ENCLOSURES

| Catalog Number   | Enclosure Size<br>HxWxD          | Back Panel Catalog Number* |           |          | Back Panel<br>Size AxB |
|------------------|----------------------------------|----------------------------|-----------|----------|------------------------|
|                  |                                  | White                      | 304 SS    | "G"      |                        |
| N412363008SS3PTC | 36.00x30.00x8.00 (914x762x203)   | NP3630C                    | NP3630SSC | NP3630CG | 34.2x28.2 (869x716)    |
| N412202012SS1PTC | 20.00x20.00x12.00 (508x508x305)  | NP2020C                    | NP2020SSC | NP2020CG | 18.2x18.2 (462x462)    |
| N412242412SS3PTC | 24.00x24.00x12.00 (610x610x305)  | NP2424C                    | NP2424SSC | NP2424CG | 22.2x22.2 (564x564)    |
| N412302412SS3PTC | 30.00x24.00x12.00 (762x610x305)  | NP3024C                    | NP3024SSC | NP3024CG | 28.2x22.2 (716x564)    |
| N412362412SS3PTC | 36.00x24.00x12.00 (914x610x305)  | NP3624C                    | NP3624SSC | NP3624CG | 34.2x22.2 (869x564)    |
| N412363012SS3PTC | 36.00x30.00x12.00 (914x762x305)  | NP3630C                    | NP3630SSC | NP3630CG | 34.2x28.2 (869x716)    |
| N412363612SS3PTC | 36.00x36.00x12.00 (914x914x305)  | NP3636C                    | NP3636SSC | NP3636CG | 34.2x34.2 (869x869)    |
| N412423612SS3PTC | 42.00x36.00x12.00 (1067x914x305) | NP4236C                    | NP4236SSC | NP4236CG | 40.2x34.2 (1021x869)   |
| N412483612SS3PTC | 48.00x36.00x12.00 (1219x914x305) | NP4836C                    | NP4836SSC | NP4836CG | 46.2x34.2 (1173x869)   |
| N412603612SS3PTC | 60.00x36.00x12.00 (1524x914x305) | NP6036C                    | NP6036SSC | NP6036CG | 58.2x34.2 (1478x869)   |

### N412 SSA3PTC SERIES SINGLE DOOR WALL-MOUNT 316 STAINLESS STEEL ENCLOSURES

| Catalog Number    | Enclosure Size<br>HxWxD          | Back Panel Catalog Number* |           |          | Back Panel<br>Size AxB |
|-------------------|----------------------------------|----------------------------|-----------|----------|------------------------|
|                   |                                  | White                      | 304 SS    | "G"      |                        |
| N412121206SSA1PTC | 12.00x12.00x6.00 (305x305x152)   | NP1212C                    | NP1212SSC | NP1212CG | 10.2x10.2 (259x259)    |
| N412161206SSA1PTC | 16.00x12.00x6.00 (406x305x152)   | NP1612C                    | NP1612SSC | NP1612CG | 14.2x10.2 (361x259)    |
| N412161606SSA1PTC | 16.00x16.00x6.00 (406x406x152)   | NP1616C                    | NP1616SSC | NP1616CG | 14.2x14.2 (361x361)    |
| N412201606SSA1PTC | 20.00x16.00x6.00 (508x406x152)   | NP2016C                    | NP2016SSC | NP2016CG | 18.2x14.2 (462x361)    |
| N412202006SSA1PTC | 20.00x20.00x6.00 (508x508x152)   | NP2020C                    | NP2020SSC | NP2020CG | 18.2x18.2 (462x462)    |
| N412161208SSA1PTC | 16.00x12.00x8.00 (406x305x203)   | NP1612C                    | NP1612SSC | NP1612CG | 14.2x10.2 (361x259)    |
| N412161608SSA1PTC | 16.00x16.00x8.00 (406x406x203)   | NP1616C                    | NP1616SSC | NP1616CG | 14.2x14.2 (361x361)    |
| N412162008SSA1PTC | 16.00x20.00x8.00 (406x508x203)   | NP1620C                    | NP1620SSC | NP1620CG | 14.2x18.2 (361x462)    |
| N412201608SSA1PTC | 20.00x16.00x8.00 (508x406x203)   | NP2016C                    | NP2016SSC | NP2016CG | 18.2x14.2 (462x361)    |
| N412202008SSA1PTC | 20.00x20.00x8.00 (508x508x203)   | NP2020C                    | NP2020SSC | NP2020CG | 18.2x18.2 (462x462)    |
| N412241608SSA3PTC | 24.00x16.00x8.00 (610x406x203)   | NP2416C                    | NP2416SSC | NP2416CG | 22.2x14.2 (564x361)    |
| N412242008SSA3PTC | 24.00x20.00x8.00 (610x508x203)   | NP2420C                    | NP2420SSC | NP2420CG | 22.2x18.2 (564x462)    |
| N412242408SSA3PTC | 24.00x24.00x8.00 (610x610x203)   | NP2424C                    | NP2424SSC | NP2424CG | 22.2x22.2 (564x564)    |
| N412302408SSA3PTC | 30.00x24.00x8.00 (762x610x203)   | NP3024C                    | NP3024SSC | NP3024CG | 28.2x22.2 (716x564)    |
| N412303008SSA3PTC | 30.00x30.00x8.00 (762x762x203)   | NP3030C                    | NP3030SSC | NP3030CG | 28.2x28.2 (716x716)    |
| N412362408SSA3PTC | 36.00x24.00x8.00 (914x610x203)   | NP3624C                    | NP3624SSC | NP3624CG | 34.2x22.2 (869x564)    |
| N412363008SSA3PTC | 36.00x30.00x8.00 (914x762x203)   | NP3630C                    | NP3630SSC | NP3630CG | 34.2x28.2 (869x716)    |
| N412202012SSA1PTC | 20.00x20.00x12.00 (508x508x305)  | NP2020C                    | NP2020SSC | NP2020CG | 18.2x18.2 (462x462)    |
| N412242412SSA3PTC | 24.00x24.00x12.00 (610x610x305)  | NP2424C                    | NP2424SSC | NP2424CG | 22.2x22.2 (564x564)    |
| N412302412SSA3PTC | 30.00x24.00x12.00 (762x610x305)  | NP3024C                    | NP3024SSC | NP3024CG | 28.2x22.2 (716x564)    |
| N412362412SSA3PTC | 36.00x24.00x12.00 (914x610x305)  | NP3624C                    | NP3624SSC | NP3624CG | 34.2x22.2 (869x564)    |
| N412363012SSA3PTC | 36.00x30.00x12.00 (914x762x305)  | NP3630C                    | NP3630SSC | NP3630CG | 34.2x28.2 (869x716)    |
| N412363612SSA3PTC | 36.00x36.00x12.00 (914x914x305)  | NP3636C                    | NP3636SSC | NP3636CG | 34.2x34.2 (869x869)    |
| N412423612SSA3PTC | 42.00x36.00x12.00 (1067x914x305) | NP4236C                    | NP4236SSC | NP4236CG | 40.2x34.2 (1021x869)   |
| N412483612SSA3PTC | 48.00x36.00x12.00 (1219x914x305) | NP4836C                    | NP4836SSC | NP4836CG | 46.2x34.2 (1173x869)   |
| N412603612SSA3PTC | 60.00x36.00x12.00 (1524x914x305) | NP6036C                    | NP6036SSC | NP6036CG | 58.2x34.2 (1478x869)   |

\*Back panels must be ordered separately.



## N412 - CSSST ULTIMATE SERIES SLOPE-TOP ENCLOSURES NEMA 4, 4X, 12 & 13 STAINLESS SINGLE DOOR



N412201612CSSST

### Industry Standards

UL 508A, Type 3R, 4, 4X, 12 & 13  
CSA Certified, Type 3R, 4, 4X, 12  
NEMA/EEMAC Type 3R, 4, 4X, 12  
IEC 60529, IP66

Wall mounting kits required to  
maintain UL/CSA external mounting  
requirements

 UL Files E64791, E470978

 CSA File LL66078

## FEATURES-SPECIFICATIONS

### Applications

N412CSSST ULTIMATE Series Enclosures are designed to house and protect electrical and electronic components in harsh, dirty environments. For use in installations where dirt, dust, oil, water, or other contaminants are present. Streamlined styling, flush latching, and attractive durable finish complements any high tech electronic equipment.

### Construction

- Bodies and doors are fabricated from 304 stainless steel
- Seams are continuously welded and ground smooth
- Increased tub opening for better access

- 20° sloped top
- Sloped "Top Tub Flange"
- Concealed hinges
- Doors are interchangeable and easily removed
- Grounding provisions are provided
- 1/4-turn semi-flush oil-tight latches are supplied to hold door securely closed
- Doors are sealed with a poured in place gasket
- Mounting holes in the back of the enclosure
- Studs for mounting **optional** Ultimate Series back panels are provided

### Finish

- Exterior surfaces of the enclosure have a smooth grained finish
- **Optional** back panels are painted with a white polyester powder
- **Optional** "G" panels are pre-galvanized steel
- **Optional** 304SS back panels are made of 304 stainless steel

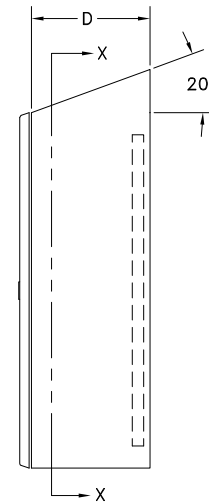
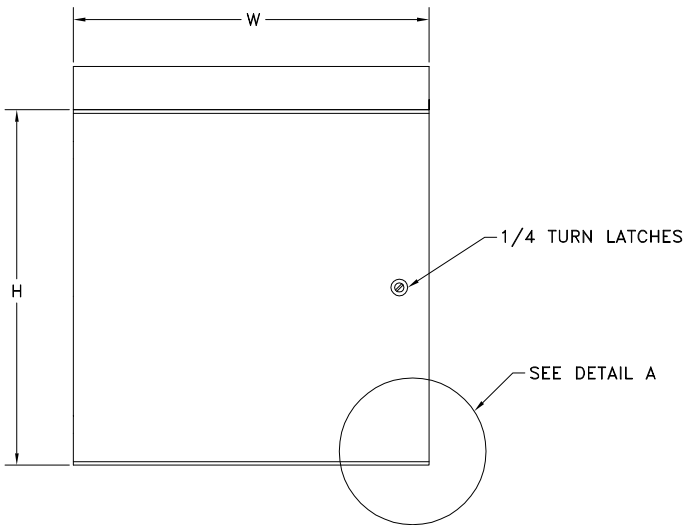
### Accessories

- Back panels (reference table)
- See pages L1-L24.
- **Optional** N412MFKSS mounting foot kit must be ordered separately (see page L8)

### N412 CSSST SERIES SINGLE DOOR SLOPE-TOP 304 STAINLESS STEEL ENCLOSURES

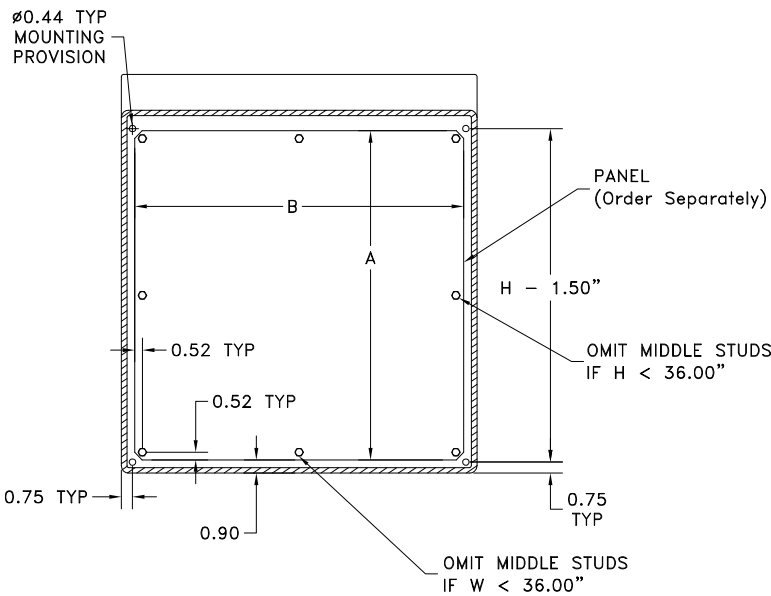
| Catalog Number  | Enclosure Size<br>HxWxD          | Back Panel Catalog Number* |           |          | Back Panel<br>Size AxB |
|-----------------|----------------------------------|----------------------------|-----------|----------|------------------------|
|                 |                                  | White                      | 304 SS    | "G"      |                        |
| N412161208CSSST | 16.00x12.00x 8.00 (406x305x203)  | NP1612C                    | NP1612SSC | NP1612CG | 14.2x10.2 (361x259)    |
| N412161608CSSST | 16.00x16.00x 8.00 (406x406x203)  | NP1616C                    | NP1616SSC | NP1616CG | 14.2x14.2 (361x361)    |
| N412201608CSSST | 20.00x16.00x 8.00 (508x406x203)  | NP2016C                    | NP2016SSC | NP2016CG | 18.2x14.2 (462x361)    |
| N412201612CSSST | 20.00x16.00x12.00 (508x406x305)  | NP2016C                    | NP2016SSC | NP2016CG | 18.2x14.2 (462x361)    |
| N412202008CSSST | 20.00x20.00x8.00 (508x508x203)   | NP2020C                    | NP2020SSC | NP2020CG | 18.2x18.2 (462x462)    |
| N412202012CSSST | 20.00x20.00x12.00 (508x508x305)  | NP2020C                    | NP2020SSC | NP2020CG | 18.2x18.2 (462x462)    |
| N412242008CSSST | 24.00x20.00x8.00 (610x508x203)   | NP2420C                    | NP2420SSC | NP2420CG | 22.2x18.2 (564x462)    |
| N412242408CSSST | 24.00x24.00x 8.00 (610x610x203)  | NP2424C                    | NP2424SSC | NP2424CG | 22.2x22.2 (564x564)    |
| N412242412CSSST | 24.00x24.00x12.00 (610x610x305)  | NP2424C                    | NP2424SSC | NP2424CG | 22.2x22.2 (564x564)    |
| N412302408CSSST | 30.00x24.00x 8.00 (762x610x203)  | NP3024C                    | NP3024SSC | NP3024CG | 28.2x22.2 (716x564)    |
| N412302412CSSST | 30.00x24.00x12.00 (762x610x305)  | NP3024C                    | NP3024SSC | NP3024CG | 28.2x22.2 (716x564)    |
| N412303008CSSST | 30.00x30.00x 8.00 (762x762x203)  | NP3030C                    | NP3030SSC | NP3030CG | 28.2x28.2 (716x716)    |
| N412363008CSSST | 36.00x30.00x 8.00 (914x762x203)  | NP3630C                    | NP3630SSC | NP3630CG | 34.2x28.2 (869x716)    |
| N412363012CSSST | 36.00x30.00x12.00 (914x762x305)  | NP3630C                    | NP3630SSC | NP3630CG | 34.2x28.2 (869x716)    |
| N412363016CSSST | 36.00x30.00x16.00 (914x762x406)  | NP3630C                    | NP3630SSC | NP3630CG | 34.2x28.2 (869x716)    |
| N412363612CSSST | 36.00x36.00x12.00 (914x914x305)  | NP3636C                    | NP3636SSC | NP3636CG | 34.2x34.2 (869x869)    |
| N412483616CSSST | 48.00x36.00x16.00 (1219x914x406) | NP4836C                    | NP4836SSC | NP4836CG | 46.2x34.2 (1173x869)   |
| N412603616CSSST | 60.00x36.00x16.00 (1524x914x406) | NP6036C                    | NP6036SSC | NP6036CG | 58.2x34.2 (1478x869)   |

\*Back panels must be ordered separately.

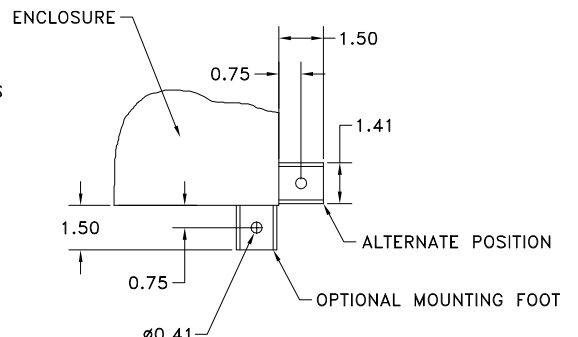


**Notes:**

1. Enclosures that are 24"X24" or larger receive two 1/4 -turn latches. When H=40" or more a 3-point latch is provided.
2. Two hinges provided when H<36.00". Three hinges provided when H=36.00" or greater. Four hinges provided when H=48.00" or greater.



SECTION X-X



DETAIL A  
OPTIONAL MOUNTING FOOT

## SSN4 - WF3PT SERIES ENCLOSURES NEMA 4X STAINLESS STEEL WALL-MOUNT



SSN4244208WF3PT

### Industry Standards

UL 508A Listed, Type 3R, 4, 4X, & 12  
CSA Certified, Type 4, 4X, & 12  
NEMA/EEMAC Type 3R, 4, 4X, & 12

 UL Files E64791

 CSA File LL66078

## FEATURES-SPECIFICATIONS

### Applications

SSN4WF Series are intended for use in housing electrical and electronic controls, instruments, components, and associated wiring. These enclosures incorporate double-hinged double doors which provide convenient access. Designed for outdoor use in protecting components from dust, dirt, oil or water.

### Construction

- Bodies and doors are fabricated from 304 stainless steel
- Seams are continuously welded and ground smooth
- Body stiffeners are added in larger enclosures for extra rigidity

- Rolled lip around all sides of the enclosure opening to exclude liquids and contaminants
- Two independent doors with removable center post
- 3-point 316L SS padlocking handles
- Doors are removable by pulling heavy gauge stainless steel continuous hinge pin
- Doors are sealed with a poured in place gasket
- Collar studs are provided for mounting **optional** back panels
- External mounting feet are provided
- Grounding provisions are provided

### Finish

- Exterior surfaces of the enclosure have a smooth grained finish
- **Optional** back panels are painted with a white polyester powder
- **Optional** "G" panels are pre-galvanized steel

### Accessories

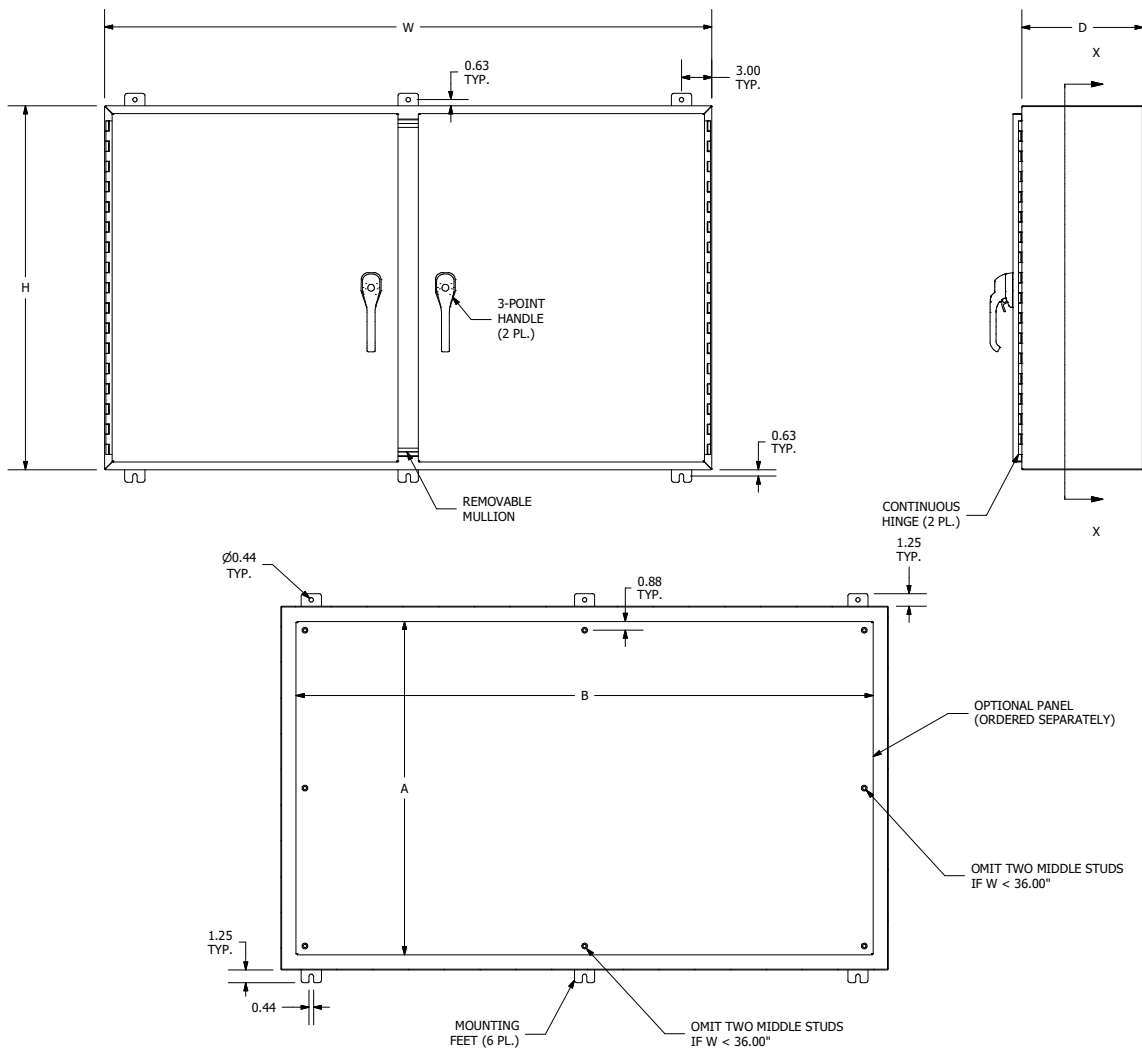
- Back panels (reference table)
- See pages L1-L24.

### SSN4-WF3PT SERIES NEMA 4X STAINLESS STEEL WALL-MOUNT ENCLOSURES

| Catalog Number  | Enclosure Size<br>HxWxD           | Back Panel Catalog Number* |           | Back Panel<br>Size AxB  | Stiffener<br>Body |
|-----------------|-----------------------------------|----------------------------|-----------|-------------------------|-------------------|
|                 |                                   | White                      | "G"       |                         |                   |
| SSN4244208WF3PT | 24.00x42.00x 8.00 (610x1067x203)  | NP4224                     | NP4224G   | 21.00x39.00 (991x533)   | No                |
| SSN4244808WF3PT | 24.00x48.00x 8.00 (610x1219x203)  | NP4824                     | NP4824G   | 21.00x45.00 (533x1143)  | No                |
| SSN4304210WF3PT | 30.00x42.00x10.00 (762x1067x254)  | NP4230                     | NP4230G   | 27.00x39.00 (686x991)   | No                |
| SSN4304810WF3PT | 30.00x48.00x10.00 (762x1219x254)  | NP4830                     | NP4830G   | 27.00x45.00 (1143x686)  | No                |
| SSN4306010WF3PT | 30.00x60.00x10.00 (762x1524x254)  | NP6030                     | NP6030G   | 27.00x57.00 (686x1448)  | No                |
| SSN4364212WF3PT | 36.00x42.00x12.00 (914x1067x305)  | NP4236                     | NP4236G   | 33.00x39.00 (838x991)   | No                |
| SSN4364812WF3PT | 36.00x48.00x12.00 (914x1219x305)  | NP4836                     | NP4836G   | 33.00x45.00 (838x1143)  | No                |
| SSN4366012WF3PT | 36.00x60.00x12.00 (914x1524x305)  | NP6036                     | NP6036G   | 33.00x57.00 (838x1448)  | No                |
| SSN4424212WF3PT | 42.00x42.00x12.00 (1067x1067x305) | NPDD4242                   | NPDD4242G | 39.00x39.00 (991x991)   | Yes               |
| SSN4424812WF3PT | 42.00x48.00x12.00 (1067x1219x305) | NPDD4842                   | NPDD4842G | 39.00x45.00 (991x1143)  | Yes               |
| SSN4426012WF3PT | 42.00x60.00x12.00 (1067x1524x305) | NPDD4260                   | NPDD4260G | 38.00x56.00 (965x1422)  | Yes               |
| SSN4484812WF3PT | 48.00x48.00x12.00 (1219x1219x305) | NPDD4848                   | NPDD4848G | 44.00x44.00 (1118x1118) | Yes               |

\*Back panels must be ordered separately.





**SECTION X-X**

## SSN4 SERIES ENCLOSURES NEMA 4X SINGLE DOOR WALL-MOUNT



SSN4161206

### Industry Standards

UL 508A, Type 3R, 4, 4X, 12 & 13  
CSA Certified, Type 4 & 12  
NEMA/EEMAC Type 3R, 4, 4X, 12 & 13  
IEC 60529, IP66



UL Files E64791, E470978



CSA File LL66078

## FEATURES-SPECIFICATIONS

### Applications

Provides unmatched protection for housing electrical components in highly corrosive environments. This enclosure is used in indoor and outdoor settings that are frequently wet or have constant exposure to water, contaminants or other liquids.

### Construction

- Bodies and doors fabricated from 304 or 316L stainless steel
- Seams are continuously welded and ground smooth
- Door and body stiffeners are added in larger enclosures for extra rigidity

- Rolled lip around three sides of the door and all sides of the enclosure opening to exclude liquids and contaminants
- Quick and easy to operate stainless steel door clamps are provided
- Hasp and staple are provided for padlocking
- Doors are sealed with a poured in place gasket
- Collar studs for mounting **optional** back panels are provided
- External mounting feet are provided
- Grounding provisions are provided

### Finish

- Exterior surfaces of the enclosure have a smooth grained finish
- **Optional** back panels are painted with a white polyester powder
- **Optional** "G" panels are pre-galvanized steel
- **Optional** 304SS back panels are made of 304 stainless steel

### Accessories

- Back panels (reference table)
- See pages L1-L24

### SSN4 SERIES SINGLE DOOR WALL-MOUNT STAINLESS STEEL ENCLOSURES

| Catalog Number |             | Enclosure Size<br>HxWxD        | Back Panel Catalog Number* |          |         | Back Panel<br>Size AxB |
|----------------|-------------|--------------------------------|----------------------------|----------|---------|------------------------|
| 304 SS         | 316L SS     |                                | White                      | 304 SS   | "G"     |                        |
| SSN4161206     | SSN4161206A | 16.00x12.00x6.00 (406x305x152) | NP1612                     | NP1612SS | NP1612G | 13.00x 9.00 (330x229)  |
| SSN4161606     | SSN4161606A | 16.00x16.00x6.00 (406x406x152) | NP1616                     | NP1616SS | NP1616G | 13.00x13.00 (330x330)  |
| SSN4162006     | SSN4162006A | 16.00x20.00x6.00 (406x508x152) | NP2016                     | NP2016SS | NP2016G | 13.00x17.00 (330x432)  |
| SSN4201606     | SSN4201606A | 20.00x16.00x6.00 (508x406x152) | NP2016                     | NP2016SS | NP2016G | 17.00x13.00 (432x330)  |
| SSN4202006     | SSN4202006A | 20.00x20.00x6.00 (508x508x152) | NP2020                     | NP2020SS | NP2020G | 17.00x17.00 (432x432)  |
| SSN4242006     | SSN4242006A | 24.00x20.00x6.00 (610x508x152) | NP2420                     | NP2420SS | NP2420G | 21.00x17.00 (533x432)  |
| SSN424206      | SSN4242406A | 24.00x24.00x6.00 (610x610x152) | NP2424                     | NP2424SS | NP2424G | 21.00x21.00 (533x533)  |
| SSN4161208     | SSN4161208A | 16.00x12.00x8.00 (406x305x203) | NP1612                     | NP1612SS | NP1612G | 13.00x 9.00 (330x229)  |
| SSN4201608     | SSN4201608A | 20.00x16.00x8.00 (508x406x203) | NP2016                     | NP2016SS | NP2016G | 17.00x13.00 (432x330)  |
| —              | SSN4202008A | 20.00x20.00x8.00 (508x508x203) | NP2020                     | NP2020SS | NP2020G | 17.00x17.00 (432x432)  |
| SSN4202408     | SSN4202408A | 20.00x24.00x8.00 (508x610x203) | NP2420                     | NP2420SS | NP2420G | 17.00x21.00 (432x533)  |
| SSN4241608     | SSN4241608A | 24.00x16.00x8.00 (610x406x203) | NP2416                     | NP2416SS | NP2416G | 21.00x13.00 (533x330)  |
| SSN4242008     | SSN4242008A | 24.00x20.00x8.00 (610x508x203) | NP2420                     | NP2420SS | NP2420G | 21.00x17.00 (533x432)  |
| SSN4242408     | SSN4242408A | 24.00x24.00x8.00 (610x610x203) | NP2424                     | NP2424SS | NP2424G | 21.00x21.00 (533x533)  |
| SSN4243008     | SSN4243008A | 24.00x30.00x8.00 (610x762x203) | NP3024                     | NP3024SS | NP3024G | 21.00x27.00 (533x686)  |
| SSN4302008     | SSN4302008A | 30.00x20.00x8.00 (762x508x203) | NP3020                     | NP3020SS | NP3020G | 27.00x17.00 (686x432)  |

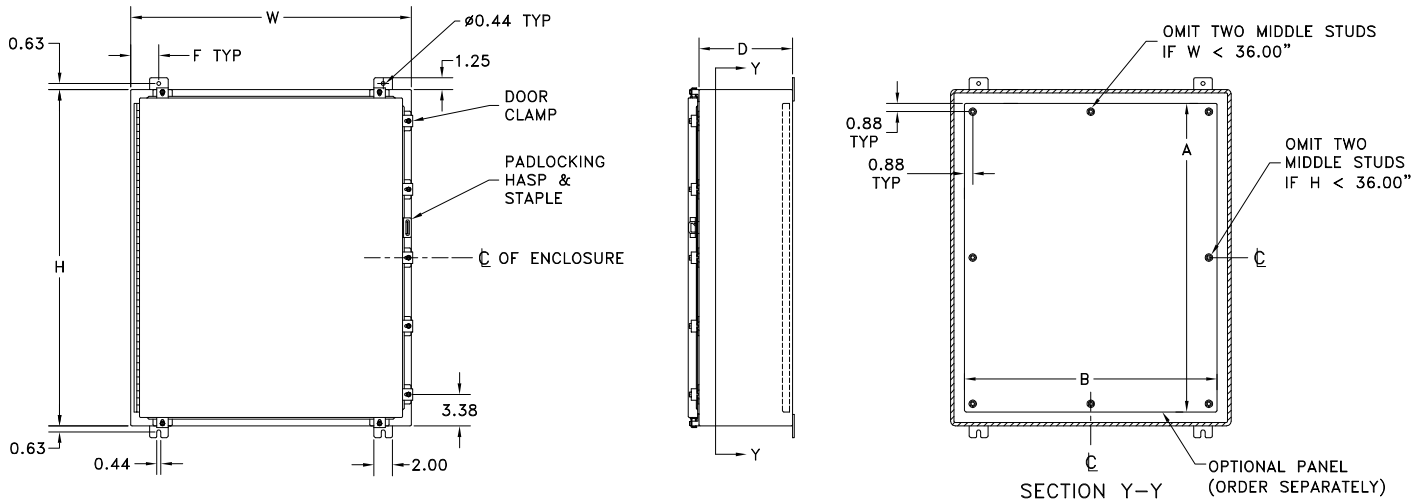
\*Back panels must be ordered separately.

continued on page E35

**SSN4 SERIES SINGLE DOOR WALL-MOUNT STAINLESS STEEL ENCLOSURES (CONT.)**

| Catalog Number |             | Enclosure Size<br>HxWxD          | Back Panel Catalog Number* |          |         | Back Panel<br>Size AxB |
|----------------|-------------|----------------------------------|----------------------------|----------|---------|------------------------|
| 304 SS         | 316L SS     |                                  | White                      | 304 SS   | "G"     |                        |
| SSN4302408     | SSN4302408A | 30.00x24.00x8.00 (762x610x203)   | NP3024                     | NP3024SS | NP3024G | 27.00x21.00 (686x533)  |
| SSN4303008     | SSN4303008A | 30.00x30.00x8.00 (762x762x203)   | NP3030                     | NP3030SS | NP3030G | 27.00x27.00 (686x686)  |
| SSN4362408     | SSN4362408A | 36.00x24.00x8.00 (914x610x203)   | NP3624                     | NP3624SS | NP3624G | 33.00x21.00 (838x533)  |
| SSN4363008     | SSN4363008A | 36.00x30.00x8.00 (914x762x203)   | NP3630                     | NP3630SS | NP3630G | 33.00x27.00 (838x686)  |
| SSN4423608     | SSN4423608A | 42.00x36.00x8.00 (1067x914x203)  | NP4236                     | NP4236SS | NP4236G | 39.00x33.00 (991x838)  |
| SSN4483608     | SSN4483608A | 48.00x36.00x8.00 (1219x914x203)  | NP4836                     | NP4836SS | NP4836G | 45.00x33.00 (1143x838) |
| SSN4201610     | SSN4201610A | 20.00x16.00x10.00 (508x406x254)  | NP2016                     | NP2016SS | NP2016G | 17.00x13.00 (432x330)  |
| SSN4242010     | SSN4242010A | 24.00x20.00x10.00 (610x508x254)  | NP2420                     | NP2420SS | NP2420G | 21.00x17.00 (533x432)  |
| SSN4302410     | SSN4302410A | 30.00x24.00x10.00 (762x610x254)  | NP3024                     | NP3024SS | NP3024G | 27.00x21.00 (686x533)  |
| SSN4362410     | SSN4362410A | 36.00x24.00x10.00 (914x610x254)  | NP3624                     | NP3624SS | NP3624G | 33.00x21.00 (838x533)  |
| SSN4363010     | SSN4363010A | 36.00x30.00x10.00 (914x762x254)  | NP3630                     | NP3630SS | NP3630G | 33.00x27.00 (838x686)  |
| SSN4423010     | SSN4423010A | 42.00x30.00x10.00 (1067x762x254) | NP4230                     | NP4230SS | NP4230G | 39.00x27.00 (991x686)  |
| SSN4483610     | SSN4483610A | 48.00x36.00x10.00 (1219x914x254) | NP4836                     | NP4836SS | NP4836G | 45.00x33.00 (1143x838) |
| SSN4242412     | SSN4242412A | 24.00x24.00x12.00 (610x610x305)  | NP2424                     | NP2424SS | NP2424G | 21.00x21.00 (533x533)  |
| SSN4302412     | SSN4302412A | 30.00x24.00x12.00 (762x610x305)  | NP3024                     | NP3024SS | NP3024G | 27.00x21.00 (686x533)  |
| SSN4363012     | SSN4363012A | 36.00x30.00x12.00 (914x762x305)  | NP3630                     | NP3630SS | NP3630G | 33.00x27.00 (838x686)  |
| SSN4363612     | SSN4363612A | 36.00x36.00x12.00 (914x914x305)  | NP3636                     | NP3636SS | NP3636G | 33.00x33.00 (838x838)  |
| SSN4483612     | SSN4483612A | 48.00x36.00x12.00 (1219x914x305) | NP4836                     | NP4836SS | NP4836G | 45.00x33.00 (1143x838) |
| SSN4603612     | SSN4603612A | 60.00x36.00x12.00 (1524x914x305) | NP6036                     | NP6036SS | NP6036G | 57.00x33.00 (1448x838) |
| SSN4302416     | SSN4302416A | 30.00x24.00x16.00 (762x610x406)  | NP3024                     | NP3024SS | NP3024G | 27.00x21.00 (686x533)  |
| SSN4363016     | SSN4363016A | 36.00x30.00x16.00 (914x762x406)  | NP3630                     | NP3630SS | NP3630G | 33.00x27.00 (838x686)  |
| SSN4483616     | SSN4483616A | 48.00x36.00x16.00 (1219x914x406) | NP4836                     | NP4836SS | NP4836G | 45.00x33.00 (1143x838) |
| SSN4603616     | SSN4603616A | 60.00x36.00x16.00 (1524x914x406) | NP6036                     | NP6036SS | NP6036G | 57.00x33.00 (1448x838) |

\*Back panels must be ordered separately



**NOTES:**

1. Panels have flanges along all sides when either dimension exceeds 17".
2. The number of door clamps is dependent on size of enclosure. Clamps are furnished along three sides of door.
3. F = 3" when W is 16" or greater and 1-1/4" when W is 12" or less.

## ALN4 SERIES ENCLOSURES NEMA 4X SINGLE DOOR WALL-MOUNT



ALN4161206

### Industry Standards

UL 508A, Type 3R 4, 4X, 12 & 13  
CSA Certified, Type 4, 4X & 12  
NEMA/EEMAC Type 4, 12 & 13  
IEC 60529, IP66

 UL File E64791, E470978

 CSA File LL66078

## FEATURES-SPECIFICATIONS

### Applications

This lightweight enclosure provides long-lasting protection for housing electrical components in highly corrosive environments. It is used in both indoor and outdoor settings that are frequently wet or have constant exposure to water, contaminants or other liquids.

### Construction

- Bodies and doors are fabricated from aluminum
- Seams are continuously welded and ground smooth

- Rolled lip on three sides of the door and all sides of the enclosure opening to exclude liquids and contaminants
- Quick and easy to operate stainless steel door clamps are provided
- Door is removable by pulling continuous hinge pin
- Hasp and staple are provided for padlocking
- Doors are sealed with a poured in place gasket
- Collar studs for mounting **optional** back panels are provided
- External mounting feet are provided

- Grounding provisions are provided

### Finish

- Exterior surfaces of the enclosure have a smooth grained finish
- **Optional** back panels are unpainted aluminum
- **Optional** back panels are painted with a white polyester powder

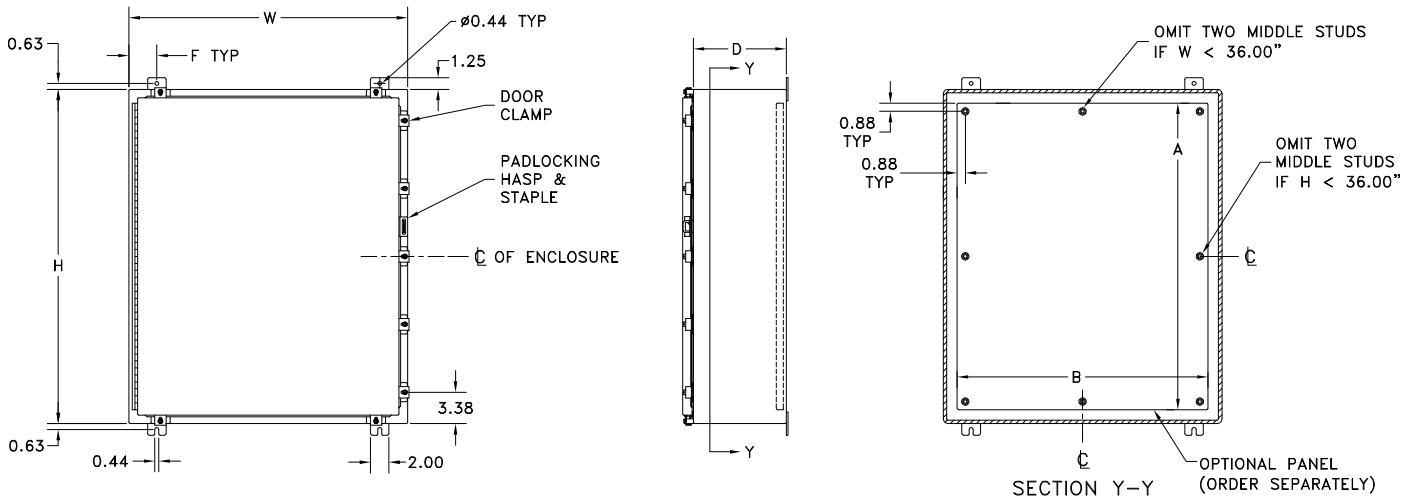
### Accessories

- Back panels (reference table)
- See pages L1-L24

### ALN4 SERIES SINGLE DOOR ALUMINUM ENCLOSURES

| Catalog Number | Enclosure Size<br>HxWxD          | Back Panel Catalog Number* |          | Back Panel<br>Size AxB | F         |
|----------------|----------------------------------|----------------------------|----------|------------------------|-----------|
|                |                                  | White                      | Alum.    |                        |           |
| ALN4161206     | 16.00x12.00x6.00 (406x305x152)   | NP1612                     | ALNP1612 | 13.00x 9.00 (330x229)  | 1.25 (32) |
| ALN4201606     | 20.00x16.00x6.00 (508x406x152)   | NP2016                     | ALNP2016 | 17.00x13.00 (432x330)  | 3.00 (76) |
| ALN4202006     | 20.00x20.00x6.00 (508x508x152)   | NP2020                     | ALNP2020 | 17.00x17.00 (432x432)  | 3.00 (76) |
| ALN4242006     | 24.00x20.00x6.00 (610x508x152)   | NP2420                     | ALNP2420 | 21.00x17.00 (533x432)  | 3.00 (76) |
| ALN4161608     | 16.00x16.00x8.00 (406x406x203)   | NP1616                     | ALNP1616 | 13.00x13.00 (330x330)  | 3.00 (76) |
| ALN4242408     | 24.00x24.00x8.00 (610x610x203)   | NP2424                     | ALNP2424 | 21.00x21.00 (533x533)  | 3.00 (76) |
| ALN4302408     | 30.00x24.00x8.00 (762x610x203)   | NP3024                     | ALNP3024 | 27.00x21.00 (686x533)  | 3.00 (76) |
| ALN4362408     | 36.00x24.00x8.00 (914x610x203)   | NP3624                     | ALNP3624 | 33.00x21.00 (838x533)  | 3.00 (76) |
| ALN4363008     | 36.00x30.00x8.00 (914x762x203)   | NP3630                     | ALNP3630 | 33.00x27.00 (838x686)  | 3.00 (76) |
| ALN4483608     | 48.00x36.00x8.00 (1219x914x203)  | NP4836                     | ALNP4836 | 45.00x33.00 (1143x838) | 3.00 (76) |
| ALN4201610     | 20.00x16.00x10.00 (508x406x254)  | NP2016                     | ALNP2016 | 17.00x13.00 (432x330)  | 3.00 (76) |
| ALN4242010     | 24.00x20.00x10.00 (610x508x254)  | NP2420                     | ALNP2420 | 21.00x17.00 (533x432)  | 3.00 (76) |
| ALN4242410     | 24.00x24.00x10.00 (610x610x254)  | NP2424                     | ALNP2424 | 21.00x21.00 (533x533)  | 3.00 (76) |
| ALN4302412     | 30.00x24.00x12.00 (762x610x305)  | NP3024                     | ALNP3024 | 27.00x21.00 (686x533)  | 3.00 (76) |
| ALN4363012     | 36.00x30.00x12.00 (914x762x305)  | NP3630                     | ALNP3630 | 33.00x27.00 (838x686)  | 3.00 (76) |
| ALN4603612     | 60.00x36.00x12.00 (1524x914x305) | NP6036                     | ALNP6036 | 57.00x33.00 (1448x838) | 3.00 (76) |

\*Back panels must be ordered separately.



**NOTES:**

1. Panels have flanges along all sides when either dimension exceeds 17".
2. The number of door clamps is dependent on size of enclosure. Clamps are furnished along three sides of door.
3. F = 3" when W is 16" or greater and 1-1/4" when W is 12" or less.

## SSN4 - 3PT SERIES ENCLOSURES NEMA 4X 304 & 316L SS SINGLE DOOR WALL-MOUNT



SSN42420063PT

### Industry Standards

UL 508A, Type 3R, 4, 4X, 12  
CSA Certified, Type 4, 4X & 12  
NEMA/EEMAC Type 3R, 4, 12



UL File E64791



CSA File LL66078

## FEATURES-SPECIFICATIONS

### Applications

Provides unmatched protection for housing electrical components in highly corrosive environments. This enclosure is used in indoor and outdoor settings that are frequently wet or have constant exposure to water, contaminants or other liquids.

### Construction

- Bodies and doors are fabricated from 304 or 316L stainless steel
- Seams are continuously welded and ground smooth
- Rolled lip around three sides of the door and all sides of the enclosure opening to exclude liquids and contaminants

- Doors are sealed with a poured in place gasket
- Collar studs for mounting **Optional** back panels are provided
- 3-point 316L SS padlocking handle
- External mounting feet are provided
- Grounding provisions are provided

### Finish

- Exterior surfaces of the enclosure have a smooth grained finish
- **Optional** back panels are painted with a white polyester powder
- **Optional** "G" panels are pre-galvanized steel
- **Optional** 304SS back panels are made of 304 stainless steel

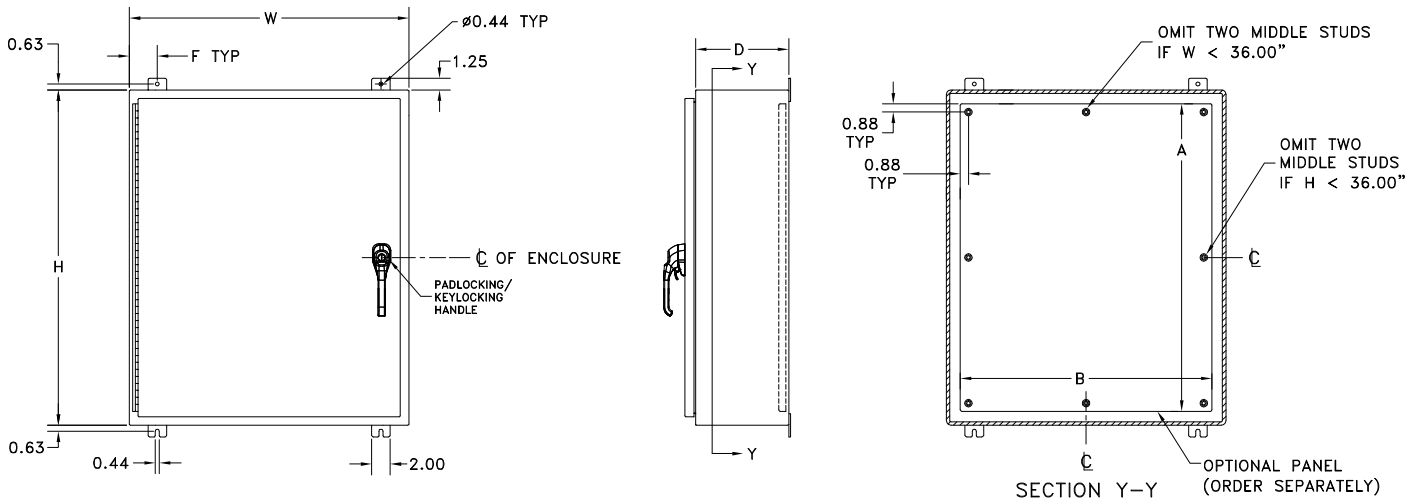
### Accessories

- Back panels (reference table)
- See pages L1-L24

### SSN4-3PT SERIES SINGLE DOOR STAINLESS STEEL ENCLOSURES

| Catalog Number |                | Enclosure Size<br>HxWxD         | Back Panel Catalog Number* |          |         | Back Panel<br>Size AxB |
|----------------|----------------|---------------------------------|----------------------------|----------|---------|------------------------|
| 304 SS         | 316L SS        |                                 | White                      | 304 SS   | "G"     |                        |
| SSN42420063PT  | —              | 24.00x20.00x 6.00 (610x508x152) | NP2420                     | NP2420SS | NP2420G | 21.00x17.00 (533x432)  |
| SSN42420083PT  | SSN42420083PTA | 24.00x20.00x 8.00 (610x508x203) | NP2420                     | NP2420SS | NP2420G | 21.00x17.00 (533x432)  |
| SSN42420103PT  | SSN42420103PTA | 24.00x20.00x10.00 (610x610x254) | NP2420                     | NP2420SS | NP2420G | 21.00x17.00 (533x432)  |
| SSN42424083PT  | SSN42424083PTA | 24.00x24.00x 8.00 (610x610x203) | NP2424                     | NP2424SS | NP2424G | 21.00x21.00 (533x533)  |
| SSN42424123PT  | SSN42424123PTA | 24.00x24.00x12.00 (610x610x305) | NP2424                     | NP2424SS | NP2424G | 21.00x21.00 (533x533)  |
| SSN43024083PT  | SSN43024083PTA | 30.00x24.00x 8.00 (762x610x203) | NP3024                     | NP3024SS | NP3024G | 27.00x21.00 (686x533)  |
| SSN43024123PT  | SSN43024123PTA | 30.00x24.00x12.00 (762x610x305) | NP3024                     | NP3024SS | NP3024G | 27.00x21.00 (686x533)  |
| SSN43030083PT  | SSN43030083PTA | 30.00x30.00x 8.00 (762x762x203) | NP3030                     | NP3030SS | NP3030G | 27.00x27.00 (686x686)  |
| SSN43624083PT  | SSN43624083PTA | 36.00x24.00x 8.00 (914x610x203) | NP3624                     | NP3624SS | NP3624G | 33.00x21.00 (838x533)  |
| SSN43630083PT  | SSN43630083PTA | 36.00x30.00x 8.00 (914x762x203) | NP3630                     | NP3630SS | NP3630G | 33.00x27.00 (838x686)  |
| SSN43630103PT  | SSN43630103PTA | 36.00x30.00x10.00 (914x762x254) | NP3630                     | NP3630SS | NP3630G | 33.00x27.00 (838x686)  |
| SSN43630123PT  | SSN43630123PTA | 36.00x30.00x12.00 (914x762x305) | NP3630                     | NP3630SS | NP3630G | 33.00x27.00 (838x686)  |
| SSN43636123PT  | SSN43636123PTA | 36.00x36.00x12.00 (914x914x305) | NP3636                     | NP3636SS | NP3636G | 33.00x33.00 (838x838)  |

\*Back panels must be ordered separately.



NOTES:

1. Panels have flanges along all sides when either dimension exceeds 17".
2. F = 3" when W is 16" or greater and 1-1/4" when W is 12" or less.

## SSN4-3PTW SERIES ENCLOSURES (PAINTED WHITE) NEMA 4X SINGLE DOOR WALL-MOUNT



SSN43024083PTW

### Industry Standards

UL 508A, Type 3R, 4, 4X, 12  
CSA Certified, Type 4, 4X & 12  
NEMA/EEMAC Type 3R, 4, 12

 UL File E64791

 CSA File LL66078

## FEATURES-SPECIFICATIONS

### Applications

SSN43PTW Series provides unmatched protection for housing electrical components in highly corrosive environments. This enclosure is used in indoor and outdoor settings that are frequently wet or have constant exposure to water, contaminants or other liquids

### Construction

- Bodies and doors are fabricated from 304 stainless steel.
- Seams are continuously welded and ground smooth

- Rolled lip around three sides of the door and all sides of the enclosure opening to exclude liquids and contaminants
- Quick and easy to operate 3-point padlocking handle
- Door is removable by pulling stainless steel continuous hinge pin
- Doors are sealed with a poured in place gasket
- Collar studs for mounting **optional** back panels are provided
- External mounting feet are provided
- Grounding provisions are provided

### Finish

- White polyester powder inside and out
- **Optional** back panels are painted with a white polyester powder
- **Optional** "G" panels are pre-galvanized steel
- **Optional** 304SS back panels are made of 304 stainless steel

### Accessories

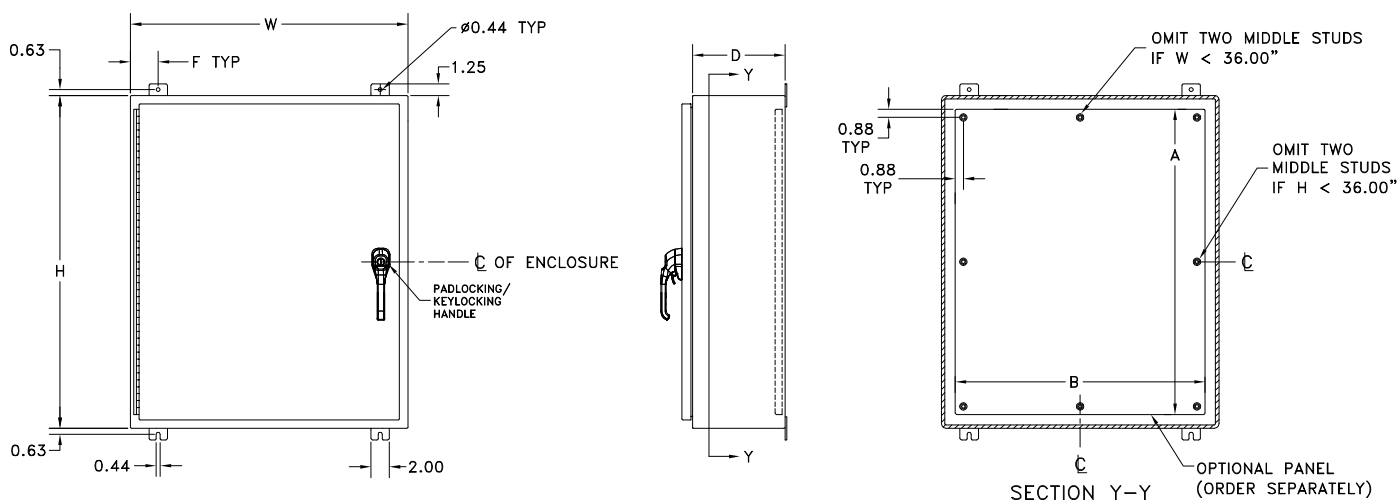
- Back panels (reference table)
- See pages L1-L24

### SSN4-3PTW SERIES WHITE SINGLE DOOR N4X ENCLOSURES

| Catalog Number | Enclosure Size<br>HxWxD          | Back Panel Catalog Number* |          |         | Back Panel<br>Size AxB |
|----------------|----------------------------------|----------------------------|----------|---------|------------------------|
|                |                                  | White                      | 304 SS   | "G"     |                        |
| SSN42424083PTW | 24.00x24.00x8.00 (610x610x203)   | NP2424                     | NP2424SS | NP2424G | 21.00x21.00 (533x533)  |
| SSN42424123PTW | 24.00x24.00x12.00 (610x610x305)  | NP2424                     | NP2424SS | NP2424G | 21.00x21.00 (533x533)  |
| SSN43024083PTW | 30.00x24.00x8.00 (762x610x203)   | NP3024                     | NP3024SS | NP3024G | 27.00x21.00 (686x533)  |
| SSN43630123PTW | 36.00x30.00x12.00 (914x762x305)  | NP3630                     | NP3630SS | NP3630G | 33.00x27.00 (838x686)  |
| SSN43636123PTW | 36.00x36.00x12.00 (914x914x305)  | NP3636                     | NP3636SS | NP3636G | 33.00x33.00 (838x838)  |
| SSN44236123PTW | 42.00x36.00x12.00 (1067x914x305) | NP4236                     | NP4236SS | NP4236G | 33.00x33.00 (838x838)  |
| SSN44836123PTW | 48.00x36.00x12.00 (1219x914x305) | NP4836                     | NP4836SS | NP4836G | 39.00x33.00 (991x838)  |
| SSN44836163PTW | 48.00x36.00x16.00 (1219x914x406) | NP4836                     | NP4836SS | NP4836G | 39.00x33.00 (991x838)  |
| SSN46036123PTW | 60.00x36.00x12.00 (1524x914x305) | NP6036                     | NP6036SS | NP6036G | 57.00x33.00 (1448x838) |

\*Back panels must be ordered separately.





**NOTES:**

1. Panels have flanges along all sides when either dimension exceeds 17".
2. F = 3" when W is 16" or greater and 1-1/4" when W is 12" or less.

## SSN4D SERIES ENCLOSURES NEMA 4X TWO DOOR FLOOR-MOUNT



SSN4D624812


### Industry Standards

UL 508A, Type 3R, 4, 4X &amp; 12 &amp; 13

CSA Certified, Type 4, 4X &amp; 12

NEMA/EEMAC Type 3R, 4, 4X, 12 &amp; 13

 UL File E64791,

 CSA File LL66078

## FEATURES-SPECIFICATIONS

### Applications

This two door enclosure provides industry leading protection for systems incorporating large components or complex mounting configurations in highly corrosive environments. It is typically used in the following areas: food processing plants, pharmaceutical manufacturing facilities, petrochemical plants, pulp and paper processing, and waste water treatment facilities.

### Construction

- Bodies and doors are fabricated from 304 stainless steel
- Seams are continuously welded and ground smooth
- Body stiffeners are added for extra rigidity

- Rolled lip around three sides of the door and along the top of the enclosure opening to exclude liquids and contaminants
- Quick and easy to operate stainless steel door clamps around three sides of the doors are provided
- Heavy gauge stainless steel continuous hinges are provided
- Doors are removable by pulling stainless steel continuous hinge pin
- Hasp and staple are provided for padlocking
- Standard 12" high floor kits are welded to the bottom of the enclosure
- Heavy-duty removable lifting eyes
- Collar studs for mounting **optional** back panels are provided

- Removable center post permits easy panel installations
- Doors are sealed with a poured in place gasket
- Grounding provisions are provided

### Finish

- Exterior surfaces of the enclosure have a smooth grained surface
- **Optional** back panels are painted with a white polyester powder
- **Optional** "G" panels are pre-galvanized steel

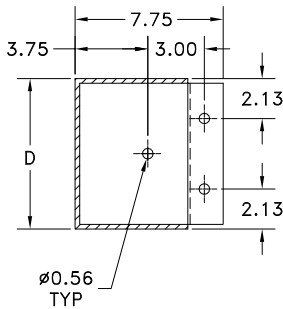
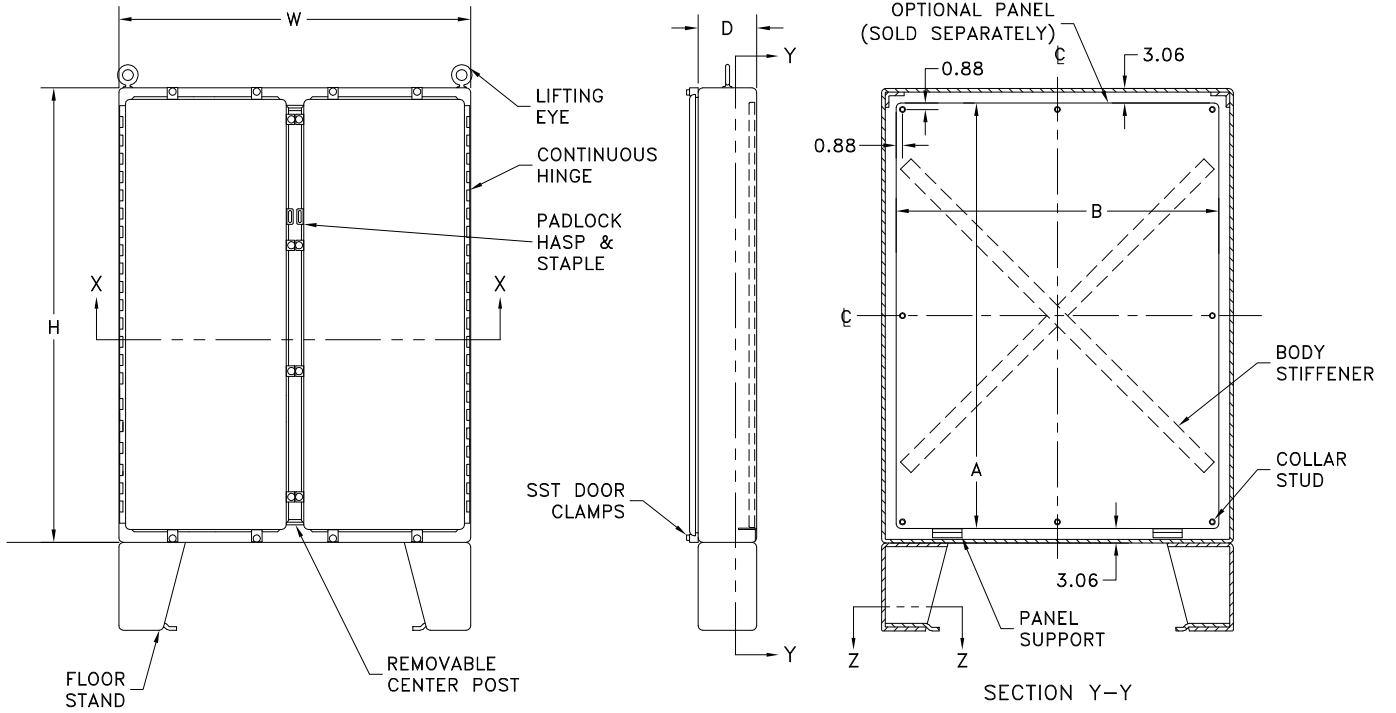
### Accessories

- Back panels (reference table)
- See pages L1-L24

### SSN4D SERIES TWO DOOR STAINLESS STEEL ENCLOSURES

| Catalog Number | Enclosure Size<br>HxWxD              | Back Panel Catalog Number* |           | Back Panel<br>Size AxB     |
|----------------|--------------------------------------|----------------------------|-----------|----------------------------|
|                |                                      | White                      | "G"       |                            |
| SSN4D624812    | 62.12x48.12x12.12<br>(1578x1222x308) | NPDD6048                   | NPDD6048G | 56.00x44.00<br>(1422x1118) |
| SSN4D626012    | 62.12x60.12x12.12<br>(1578x1527x308) | NPDD6060                   | NPDD6060G | 56.00x56.00<br>(1422x1422) |
| SSN4D746012    | 74.12x60.12x12.12<br>(1883x1527x308) | NPDD7260                   | NPDD7260G | 68.00x56.00<br>(1727x1422) |
| SSN4D747212    | 74.12x72.12x12.12<br>(1883x1832x308) | NPDD7272                   | NPDD7272G | 68.00x68.00<br>(1727x1727) |
| SSN4D747224    | 74.12x72.12x24.12<br>(1883x1832x613) | NPDD7272                   | NPDD7272G | 68.00x68.00<br>(1727x1727) |

\*Back panels must be ordered separately.



SECTION Z-Z


**Industry Standards**

UL 508A, Type 4, 4X & 12  
CSA Certified, Type 4, 4X & 12  
NEMA/EEMAC Type 4, 4X & 12

 UL File E64791

 CSA File LL66078

**FEATURES-SPECIFICATIONS**
**Applications**

Designed to house electronic controls, terminals, and instruments in areas that are regularly hosed down or are otherwise very wet. Also suitable for outdoor applications.

**Construction**

- Bodies and doors are fabricated from 304 or 316L stainless steel
- Seams are continuously welded and ground smooth
- Mounting channels are welded horizontally to interior body. **Optional** swing panels and rack angles can be mounted anywhere along the mounting channel

- Rolled lip around three sides of the door and along the top of the enclosure opening to exclude liquids and contaminants
- Quick and easy to operate stainless steel door clamps around three sides of the door
- Heavy gauge continuous hinge with stainless steel hinge pin
- Door is removable by pulling stainless steel continuous hinge pin
- Hasp and staple are provided for padlocking
- Heavy-duty removable lifting eyes
- Doors are sealed with a poured in place gasket
- Grounding provisions are provided

**Finish**

- Exterior surfaces of the enclosure have a smooth grained finish
- **Optional** back panels are painted with a white polyester powder

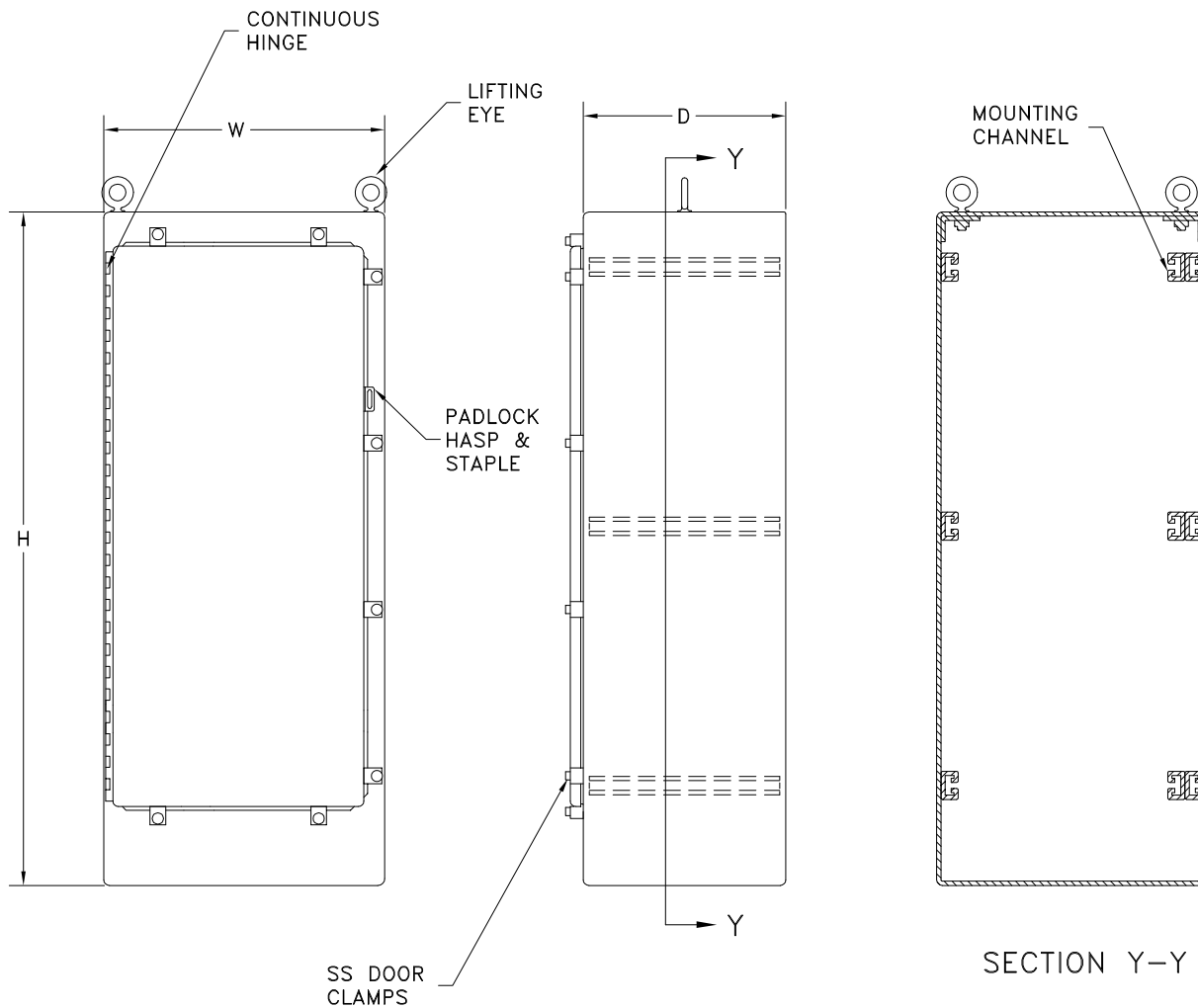
**Accessories**

- Back panels (reference table)
- See pages L1-L24

**N4S-FSSS SERIES SINGLE DOOR ENCLOSURES**

| Catalog Number |                | Enclosure Size<br>HxWxD             | Back Panel Catalog Number* | Back Panel Size           |
|----------------|----------------|-------------------------------------|----------------------------|---------------------------|
| 304 SS         | 316L SS        |                                     |                            |                           |
| N4S722518FSSS  | N4S722518FSSSA | 72.12x25.12x18.12<br>(1832x638x460) | WA72P24F1                  | 60.00x20.00<br>(1524x508) |
| N4S723124FSSS  | N4S723124FSSSA | 72.12x31.12x24.12<br>(1832x790x613) | WA72P30F1                  | 60.00x26.00<br>(1524x660) |
| N4S723724FSSS  | N4S723724FSSSA | 72.12x37.12x24.12<br>(1832x943x613) | WA72P36F1                  | 60.00x32.00<br>(1524x812) |

\*Back panels must be ordered separately.



## SSN4D - 3PT SERIES ENCLOSURES NEMA 4X 304/316L STAINLESS STEEL TWO DOOR FLOOR-MOUNT



SSN4D6248123PTA

### Industry Standards

UL 508A, Type 3R, 4, 4X, 12

CSA Certified, Type 4, 4X &amp; 12

NEMA/EEMAC Type 3R, 4, 4X, 12

 UL Files E64791

 CSA File LL66078

## FEATURES-SPECIFICATIONS

### Applications

Designed to house electrical and electronic controls, components and instruments in wet corrosive environments. Typical applications for these enclosures include, breweries, waste water, food processing and /or activities that may require hose down. Enclosures are designed for outdoor applications.

### Construction

- Bodies, doors and floor stand feet are fabricated from 304 or 316L stainless steel
- Seams are continuously welded and ground smooth
- Body stiffeners added for extra rigidity
- Rolled lip along the top of the enclosure opening to exclude liquids and contaminants

- 3-point 316L SS padlocking handles
- Heavy gauge continuous hinges are provided to secure doors
- Doors are removable by pulling stainless steel continuous hinge pin
- Standard 12" high floor kits are welded to the bottom of the enclosure
- Heavy-duty removable lifting eyes
- Collar studs for mounting **optional** back panels are provided
- Removable center post permits easy panel installations
- Doors are sealed with a poured in place gasket
- Grounding provisions are provided

### Finish

- Exterior surfaces of the enclosure have a smooth grained finish
- **Optional** back panels are painted with a white polyester powder
- **Optional** "G" panels are pre-galvanized steel

### Accessories

- Back panels (reference table)
- See pages L1-L24

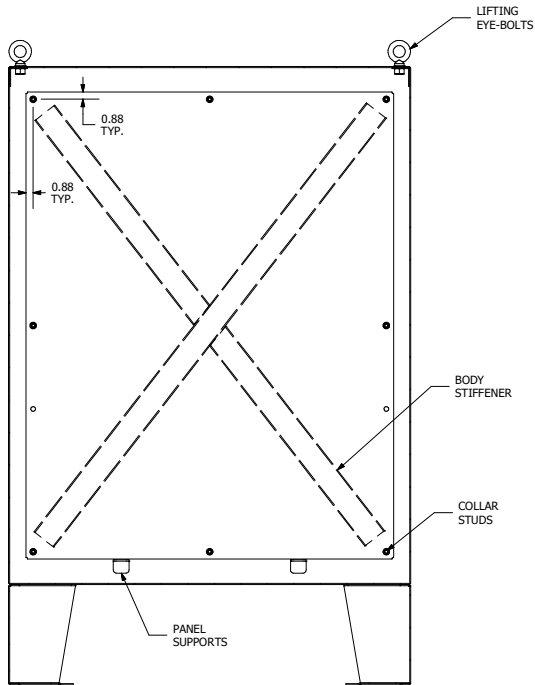
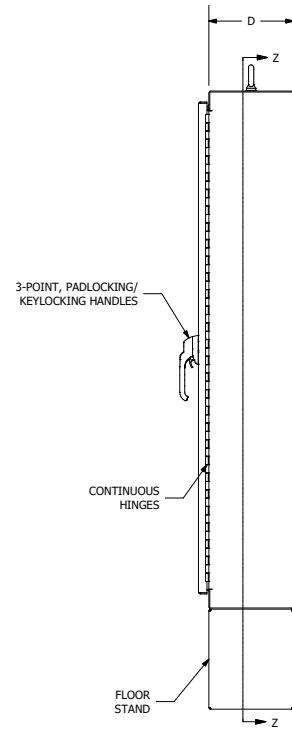
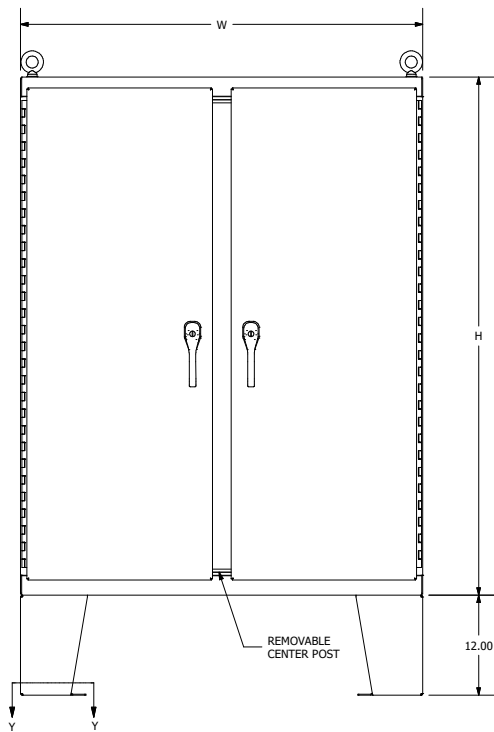
### SSN4D-3PT SERIES TWO DOOR STAINLESS STEEL ENCLOSURES

| Catalog Number |                 | Enclosure Size<br>HxWxD           | Back Panel Catalog Number* |           | Back Panel<br>Size AxB  |
|----------------|-----------------|-----------------------------------|----------------------------|-----------|-------------------------|
| 304 SS         | 316L SS         |                                   | White                      | "G"       |                         |
| SSN4D6248123PT | SSN4D6248123PTA | 62.06x48.06x12.06 (1576x1221x306) | NPDD6048                   | NPDD6048G | 56.00x44.00 (1422x1118) |
| SSN4D6248183PT | SSN4D6248183PTA | 62.06x48.06x18.06 (1576x1221x459) | NPDD6048                   | NPDD6048G | 56.00x44.00 (1422x1118) |
| SSN4D6260123PT | SSN4D6260123PTA | 62.06x60.06x12.06 (1576x1526x306) | NPDD6060                   | NPDD6060G | 56.00x56.00 (1422x1422) |
| SSN4D7460123PT | SSN4D7460123PTA | 74.06x60.06x12.06 (1881x1526x306) | NPDD7260                   | NPDD7260G | 68.00x56.00 (1727x1422) |
| SSN4D7472123PT | SSN4D7472123PTA | 74.06x72.06x12.06 (1881x1830x306) | NPDD7272                   | NPDD7272G | 68.00x68.00 (1727x1727) |
| SSN4D7472243PT | SSN4D7472243PTA | 74.06x72.06x24.06 (1881x1830x611) | NPDD7272                   | NPDD7272G | 68.00x68.00 (1727x1727) |

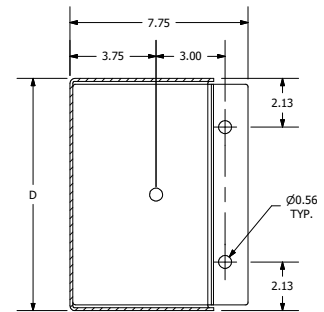
\*Back panels must be ordered separately.

**SSN4D - 3PT SERIES ENCLOSURES**  
**NEMA 4X 304/316L STAINLESS STEEL TWO DOOR FLOOR-MOUNT**

**E47**



SECTION Z-Z



SECTION Y-Y

## WA - SSFSN43PT SERIES ENCLOSURES NEMA 4X 304 STAINLESS STEEL FREESTANDING SINGLE DOOR



WA602418SSFSN43PT

### Industry Standards

UL 508A, Type 4, 4X & 12  
CSA Certified, Type 4, 4X & 12  
NEMA/EEMAC Type 4, 4X & 12



UL File E64791



CSA File LL66078

## FEATURES-SPECIFICATIONS

### Applications

Designed to house electrical and electronic controls, terminals, and instruments in areas that are regularly hosed down or are otherwise very wet. Enclosures are also suitable for outdoor applications.

### Construction

- Bodies and doors are fabricated from 304 stainless steel
- Seams are continuously welded and ground smooth
- Mounting channels are welded horizontally to interior body.

**Optional** swing panels and rack angles can be mounted anywhere along the mounting channel

- Rolled lip along the top of the enclosure opening to exclude liquids and contaminants
- 3-point 316L SS padlocking handle
- Heavy gauge continuous hinge
- Doors are removable by pulling stainless steel continuous hinge pin
- Heavy-duty removable lifting eyes
- Doors are sealed with a poured in place gasket
- Grounding provisions are provided

### Finish

- Exterior surfaces of the enclosure have a smooth grained finish
- **Optional** back panels are painted with a white polyester powder
- **Optional** "G" panels are pre-galvanized steel

### Accessories

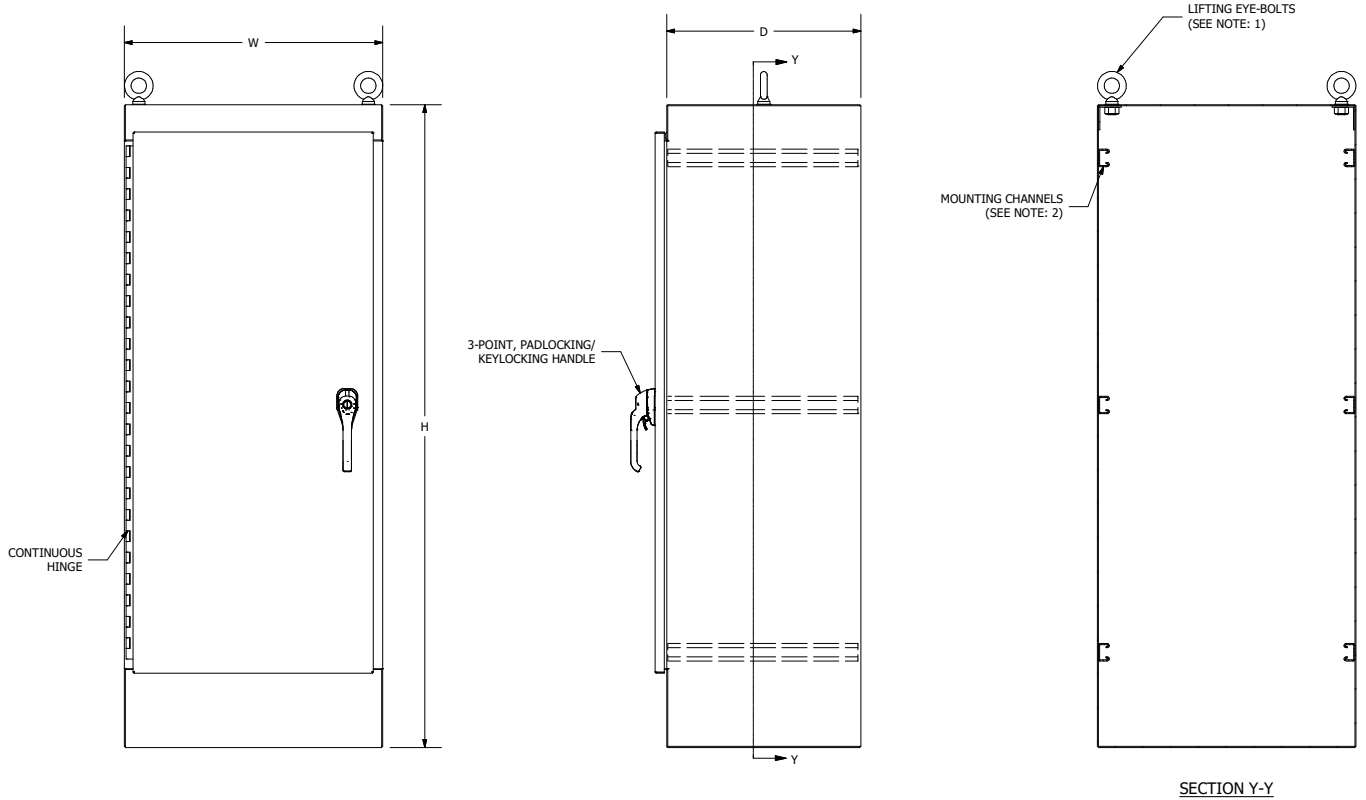
- Back panels (reference table)
- See pages L1-L24

### WA-SSFSN43PT SERIES SINGLE DOOR STAINLESS STEEL ENCLOSURES

| Catalog Number    | Enclosure Size<br>HxWxD          | Back Panel Catalog Number* |            | Back Panel<br>Size AxB |
|-------------------|----------------------------------|----------------------------|------------|------------------------|
|                   |                                  | White                      | "G"        |                        |
| WA602418SSFSN43PT | 60.12x24.12x18.12 (1526x611x459) | WA60P24F1                  | WA60P24F1G | 48.00X20.00 (1219x508) |
| WA603624SSFSN43PT | 60.06x36.06x24.06 (1526x916x611) | WA60P36F1                  | WA60P36F1G | 48.00X32.00 (1219x813) |
| WA722418SSFSN43PT | 72.06x24.06x18.06 (1830x611x459) | WA72P24F1                  | WA72P24F1G | 60.00X20.00 (1524x508) |
| WA722424SSFSN43PT | 72.06x24.06x24.06 (1830x611x611) | WA72P24F1                  | WA72P24F1G | 60.00X20.00 (1524x508) |
| WA723018SSFSN43PT | 72.06x30.06x18.06 (1830x764x459) | WA72P30F1                  | WA72P30F1G | 60.00X26.00 (1524x660) |
| WA723024SSFSN43PT | 72.06x30.06x24.06 (1830x764x611) | WA72P30F1                  | WA72P30F1G | 60.00X26.00 (1524x660) |
| WA723618SSFSN43PT | 72.06x36.06x18.06 (1830x916x459) | WA72P36F1                  | WA72P36F1G | 60.00X32.00 (1524x813) |
| WA723624SSFSN43PT | 72.06x36.06x24.06 (1830x916x611) | WA72P36F1                  | WA72P36F1G | 60.00X32.00 (1524x813) |
| WA723630SSFSN43PT | 72.06x36.06x30.06 (1830x916x764) | WA72P36F1                  | WA72P36F1G | 60.00X32.00 (1524x813) |
| WA723636SSFSN43PT | 72.06x36.06x36.06 (1830x916x916) | WA72P36F1                  | WA72P36F1G | 60.00X32.00 (1524x813) |
| WA902420SSFSN43PT | 90.06x24.06x20.06 (2288x611x510) | WA90P24F1                  | WA90P24F1G | 78.00x20.00 (1981x508) |
| WA903620SSFSN43PT | 90.06x36.06x20.06 (2288x916x510) | WA90P36F1                  | WA90P36F1G | 78.00x32.00 (1981x813) |
| WA903624SSFSN43PT | 90.06x36.06x24.06 (2288x916x611) | WA90P36F1                  | WA90P36F1G | 78.00x32.00 (1981x813) |
| WA903636SSFSN43PT | 90.06x36.06x36.06 (2288x916x916) | WA90P36F1                  | WA90P36F1G | 78.00x32.00 (1981x813) |

\*Back panels must be ordered separately.





NOTES:  
1. FOUR LIFTING EYE-BOLTS ARE SUPPLIED WHEN "D" IS 30.00" OR GREATER.  
2. OPTIONAL PANEL(S) CAN BE MOUNTED ANYWHERE ALONG MOUNTING CHANNELS.

## WA - SSFSDN43PT SERIES ENCLOSURES NEMA 4X 304 STAINLESS STEEL FREESTANDING TWO DOOR



WA604818SSFSDN43PT

### Industry Standards

UL 508A, Type 4, 4X, 12  
CSA Certified, Type 4, 4X, 12  
NEMA/EEMAC Type 4, 4X, 12



## FEATURES-SPECIFICATIONS

### Applications

Designed to house electrical and electronic controls, terminals, and instruments in areas that are regularly hosed down or are otherwise very wet. Enclosures are also suitable for outdoor applications.

### Construction

- Body and doors are fabricated from 304 stainless steel
- Seams are continuously welded and ground smooth
- Mounting channels are welded horizontally to interior body. **Optional** swing panels and rack angles can

be mounted anywhere along the mounting channel

- Rolled lip along the top of the enclosure opening to exclude liquids and contaminants
- 3-point 316L SS padlocking handles
- Heavy gauge continuous hinge
- Doors are removable by pulling stainless steel continuous hinge pin
- Heavy-duty removable lifting eyes
- Doors are sealed with a poured in place gasket
- Grounding provisions are provided

### Finish

- Exterior surfaces of the enclosure have a smooth grained finish
- **Optional** back panels are painted with a white polyester powder
- **Optional** "G" panels are pre-galvanized steel

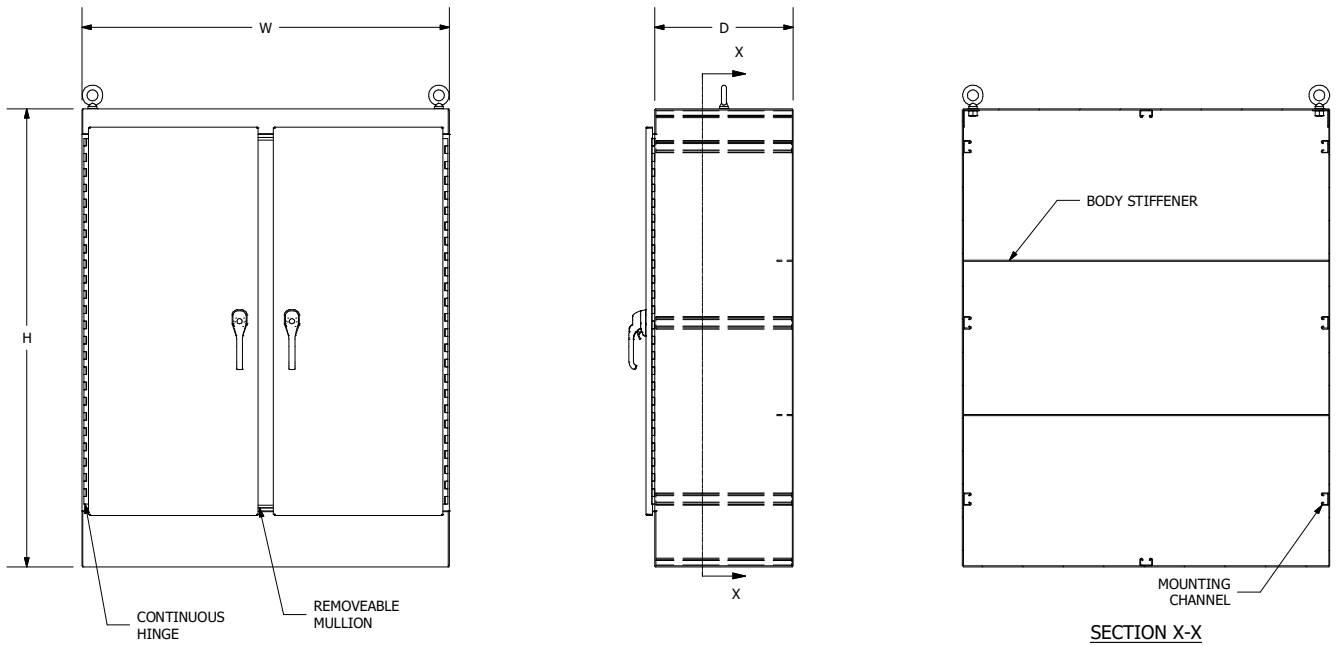
### Accessories

- Back panels (reference table)
- See pages L1-L24

### WA-SSFSDN43PT SERIES TWO DOOR STAINLESS STEEL ENCLOSURES

| Catalog Number<br>304 SS | Enclosure Size<br>HxWxD + 1/8     | Back Panel Catalog Number* |            | Back Panel<br>Size AxB  |
|--------------------------|-----------------------------------|----------------------------|------------|-------------------------|
|                          |                                   | White                      | "G"        |                         |
| WA604818SSFSDN43PT       | 60.06x48.06x18.06 (1526x1221x459) | WA60P48F1                  | WA60P48F1G | 48.00x44.00 (1422x1118) |
| WA724818SSFSDN43PT       | 72.06x48.06x18.06 (1830x1221x459) | WA72P48F1                  | WA72P48F1G | 60.00x44.00 (1727x1118) |
| WA724824SSFSDN43PT       | 72.06x48.06x24.06 (1830x1221x611) | WA72P48F1                  | WA72P48F1G | 60.00x44.00 (1727x1118) |
| WA726018SSFSDN43PT       | 72.06x60.06x18.06 (1830x1526x459) | WA72P60F1                  | WA72P60F1G | 60.00x56.00 (1727x1422) |
| WA726024SSFSDN43PT       | 72.06x60.06x24.06 (1830x1526x611) | WA72P60F1                  | WA72P60F1G | 60.00x56.00 (1727x1422) |
| WA726036SSFSDN43PT       | 72.06x60.06x36.06 (1830x1526x916) | WA72P60F1                  | WA72P60F1G | 60.00x56.00 (1727x1422) |
| WA727218SSFSDN43PT       | 72.06x72.06x18.06 (1830x1830x459) | WA72P72F1                  | WA72P72F1G | 60.00x68.00 (1727x1727) |
| WA727224SSFSDN43PT       | 72.06x72.06x24.06 (1830x1830x611) | WA72P72F1                  | WA72P72F1G | 60.00x68.00 (1727x1727) |
| WA904820SSFSDN43PT       | 90.06x48.06x20.06 (2288x1221x510) | WA90P48F1                  | WA90P48F1G | 78.00x44.00 (2184x1118) |
| WA907220SSFSDN43PT       | 90.06x72.06x20.06 (2288x1830x510) | WA90P72F1                  | WA90P72F1G | 78.00x68.00 (2184x1727) |
| WA907224SSFSDN43PT       | 90.06x72.06x24.06 (2288x1830x611) | WA90P72F1                  | WA90P72F1G | 78.00x68.00 (2184x1727) |
| WA907236SSFSDN43PT       | 90.06x72.06x36.06 (2288x1830x916) | WA90P72F1                  | WA90P72F1G | 78.00x68.00 (2184x1727) |

\*Back panels must be ordered separately.



NOTES:

1. FOUR LIFTING EYE-BOLTS ARE SUPPLIED WHEN "D" IS 30.00" OR GREATER.
2. OPTIONAL PANEL(S) CAN BE MOUNTED ANYWHERE ALONG MOUNTING CHANNELS.


**WA604818FSDSS**
**Industry Standards**

UL 508A, Type 12

CSA Certified, Type 12

NEMA/EEMAC Type 12

 UL Files E64791

 CSA File LL66078

**FEATURES-SPECIFICATIONS**
**Applications**

Designed to protect electrical and electronic controls, components, and instruments in typical industrial environments from dust, dirt, oil, and dripping water. These enclosures are used in machine tool applications for housing motor starters, drives, contactors, PLC's, as well as a wide variety of other electrical and electronic equipment. The addition of 19-inch rack mounting accessories make these enclosures ideal for providing rugged protection for sensitive rack mounted components in harsh industrial environments.

Two styles are available to provide maximum flexibility:

- a) Single Door Single Access  
(single door on front)
- b) Two Door Single Access  
(two doors on front)

**Construction**

- Bodies and doors are fabricated from 304 stainless steel
- Seams are continuously welded and ground smooth
- Body stiffeners are added for extra rigidity
- Heavy-duty lifting eyes for easy handling
- Heavy gauge continuous hinges
- 3-point 316L SS padlocking handle
- Mounting channels are welded horizontally to interior body. **Optional** swing panels and rack angles can be mounted anywhere along the mounting channel
- Doors are sealed with a poured in place gasket
- Grounding provisions are provided

**Finish**

- Exterior surfaces of the enclosure have a smooth grained finish
- **Optional** back panels are painted with a white polyester powder
- **Optional** "G" panels are pre-galvanized steel

**Accessories**

- Back panels (reference table)
- See pages L1-L24

*continued on page E53*

**WA-FSSS SERIES SINGLE DOOR FREESTANDING ENCLOSURES**

| Catalog Number | Enclosure Size<br>HxWxD          | Back Panel Catalog Number* |            | Back Panel<br>Size AxB | A            | F            |
|----------------|----------------------------------|----------------------------|------------|------------------------|--------------|--------------|
|                |                                  | White                      | "G"        |                        |              |              |
| WA602418FSSS   | 60.12x24.12x18.12 (1527x613x460) | WA60P24F1                  | WA60P24F1G | 23.13 (587)            | 32.06 (814)  | 32.06 (814)  |
| WA722418FSSS   | 72.12x24.12x18.12 (1832x613x460) | WA72P24F1                  | WA72P24F1G | 29.13 (740)            | 38.06 (967)  | 32.06 (814)  |
| WA723018FSSS   | 72.12x30.12x18.12 (1832x765x460) | WA72P30F1                  | WA72P30F1G | 29.13 (740)            | 38.06 (967)  | 38.06 (967)  |
| WA723618FSSS   | 72.12x36.12x18.12 (1832x917x460) | WA72P36F1                  | WA72P36F1G | 29.13 (740)            | 38.06 (967)  | 38.06 (967)  |
| WA902420FSSS   | 90.12x24.12x20.12 (2289x613x511) | WA90P24F1                  | WA90P24F1G | 38.13 (968)            | 47.06 (1195) | 38.06 (967)  |
| WA903620FSSS   | 90.12x36.12x20.12 (2289x917x511) | WA90P36F1                  | WA90P36F1G | 38.13 (968)            | 47.06 (1195) | 38.06 (967)  |
| WA603624FSSS   | 60.12x36.12x24.12 (1527x917x613) | WA60P36F1                  | WA60P36F1G | 23.13 (587)            | 32.06 (814)  | 38.06 (967)  |
| WA722424FSSS   | 72.12x24.12x24.12 (1832x613x613) | WA72P24F1                  | WA72P24F1G | 29.13 (740)            | 38.06 (967)  | 38.06 (967)  |
| WA723024FSSS   | 72.12x30.12x24.12 (1832x765x613) | WA72P30F1                  | WA72P30F1G | 29.13 (740)            | 38.06 (967)  | 38.06 (967)  |
| WA723624FSSS   | 72.12x36.12x24.12 (1832x917x613) | WA72P36F1                  | WA72P36F1G | 29.13 (740)            | 38.06 (967)  | 38.06 (967)  |
| WA903624FSSS   | 90.12x36.12x24.12 (2289x917x613) | WA90P36F1                  | WA90P36F1G | 38.13 (968)            | 47.06 (1195) | 47.06 (1195) |
| WA723630FSSS   | 72.12x36.12x30.12 (1832x917x765) | WA72P36F1                  | WA72P36F1G | 29.13 (740)            | 38.06 (967)  | 47.06 (1195) |
| WA723636FSSS   | 72.12x36.12x36.12 (1832x917x917) | WA72P36F1                  | WA72P36F1G | 29.13 (740)            | 38.06 (967)  | 47.06 (1195) |
| WA903636FSSS   | 90.12x36.12x36.12 (2289x917x917) | WA90P36F1                  | WA90P36F1G | 38.13 (968)            | 47.06 (1195) | 47.06 (1195) |

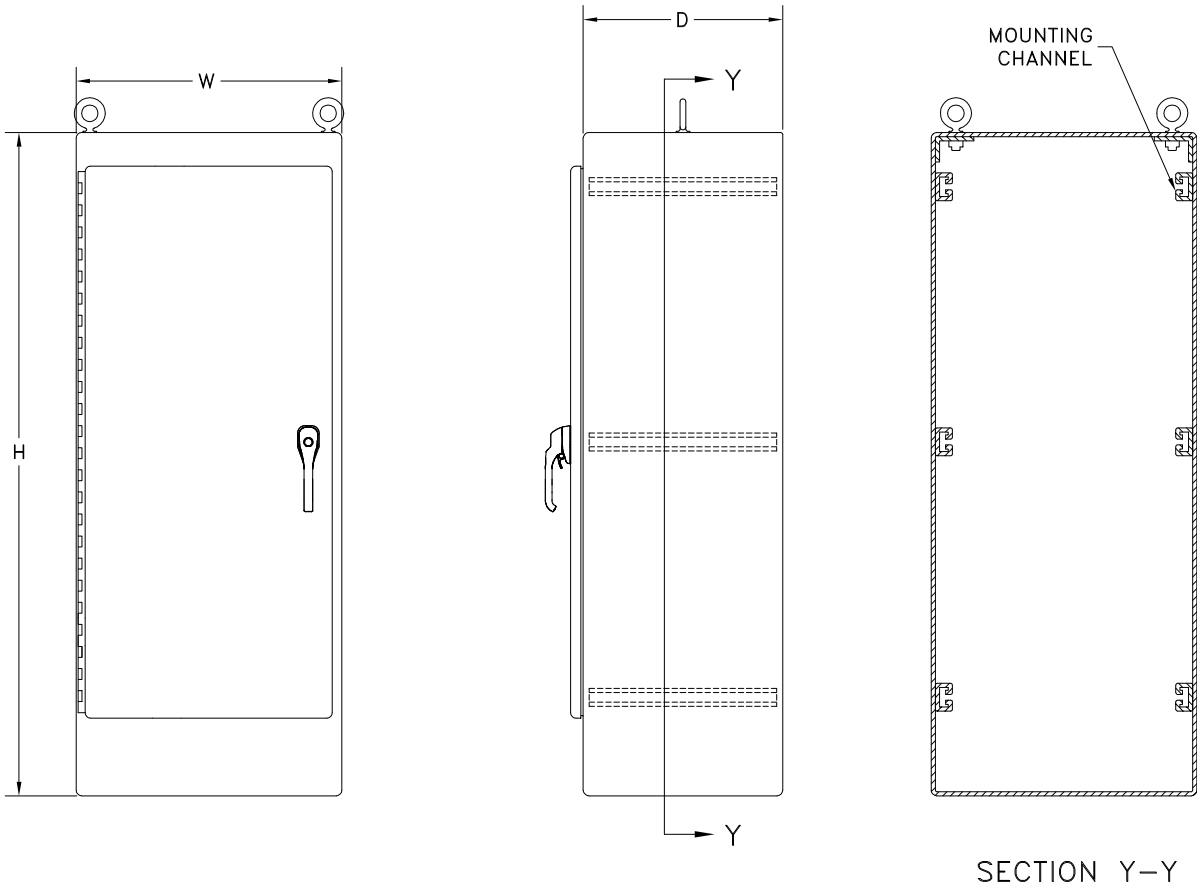
\*Back panels must be ordered separately.

**WA-FSDSS SERIES TWO DOOR FREESTANDING ENCLOSURES**

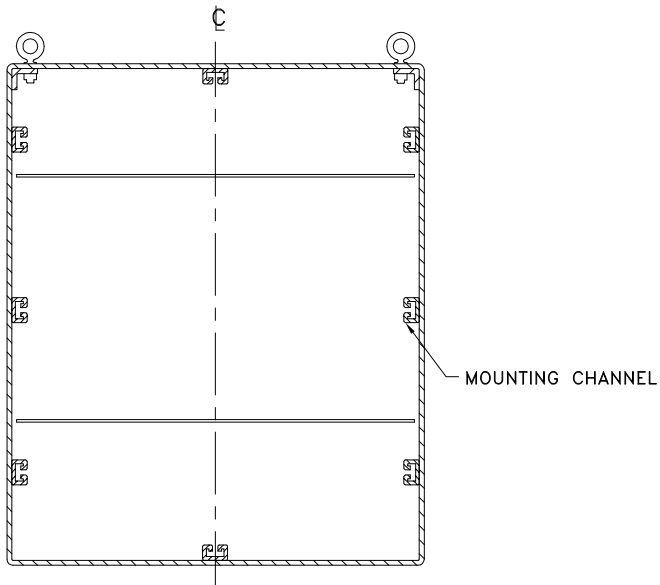
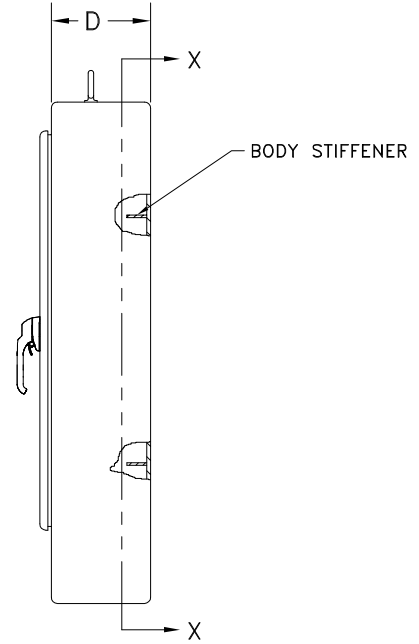
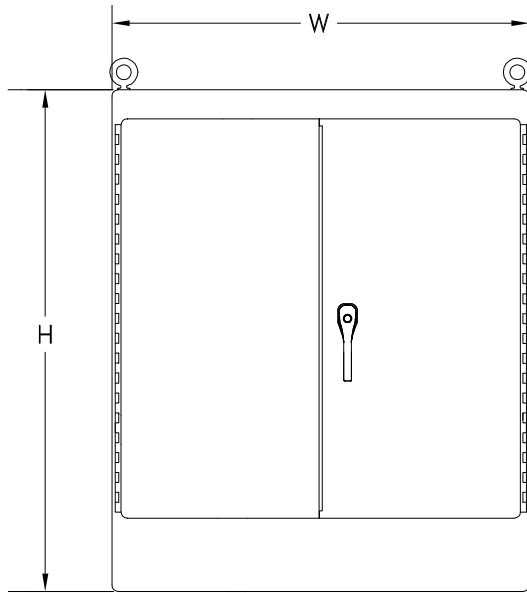
| Catalog Number | Enclosure Size<br>HxWxD           | Back Panel Catalog Number* |            | A           | B           | C           | E            |
|----------------|-----------------------------------|----------------------------|------------|-------------|-------------|-------------|--------------|
|                |                                   | White                      | "G"        |             |             |             |              |
| WA604818FSDSS  | 60.12x48.12x18.12 (1527x1222x460) | WA60P48F1                  | WA60P48F1G | 23.13 (587) | 19.88 (505) | 20.03 (509) | 32.06 (814)  |
| WA724818FSDSS  | 72.12x48.12x18.12 (1832x1222x460) | WA72P48F1                  | WA72P48F1G | 29.13 (740) | 23.88 (607) | 24.03 (610) | 38.06 (967)  |
| WA726018FSDSS  | 72.12x60.12x18.12 (1832x1527x460) | WA72P60F1                  | WA72P60F1G | 29.13 (740) | 23.88 (607) | 24.03 (610) | 38.06 (967)  |
| WA727218FSDSS  | 72.12x72.12x18.12 (1832x1832x460) | WA72P72F1                  | WA72P72F1G | 29.13 (740) | 23.88 (607) | 24.03 (610) | 38.06 (967)  |
| WA904820FSDSS  | 90.12x48.12x20.12 (2289x1222x511) | WA90P48F1                  | WA90P48F1G | 38.13 (968) | 29.88 (759) | 30.03 (763) | 47.06 (1195) |
| WA907220FSDSS  | 90.12x72.12x20.12 (2289x1832x511) | WA90P72F1                  | WA90P72F1G | 38.13 (968) | 29.88 (759) | 30.03 (763) | 47.06 (1195) |
| WA724824FSDSS  | 72.12x48.12x24.12 (1832x1222x613) | WA72P48F1                  | WA72P48F1G | 29.13 (740) | 23.88 (607) | 24.03 (610) | 38.06 (967)  |
| WA726024FSDSS  | 72.12x60.12x24.12 (1832x1527x613) | WA72P60F1                  | WA72P60F1G | 29.13 (740) | 23.88 (607) | 24.03 (610) | 38.06 (967)  |
| WA727224FSDSS  | 72.12x72.12x24.12 (1832x1832x613) | WA72P72F1                  | WA72P72F1G | 29.13 (740) | 23.88 (607) | 24.03 (610) | 38.06 (967)  |
| WA907224FSDSS  | 90.12x72.12x24.12 (2289x1832x613) | WA90P72F1                  | WA90P72F1G | 38.13 (968) | 29.88 (759) | 30.03 (763) | 47.06 (1195) |
| WA726036FSDSS  | 72.12x60.12x36.12 (1832x1527x917) | WA72P60F1                  | WA72P60F1G | 29.13 (740) | 23.88 (607) | 24.03 (610) | 38.06 (967)  |
| WA907236FSDSS  | 90.12x72.12x36.12 (2289x1832x917) | WA90P72F1                  | WA90P72F1G | 38.13 (968) | 29.88 (759) | 30.03 (763) | 47.06 (1195) |

\*Back panels must be ordered separately.

WA-FSSS



WA-FSDSS



SECTION X-X

