

# Section H Index

## HS/S Series

NEMA 1 Hinge Cover/Screw cover  
Wireway ..... H2

## LJW Series

NEMA 12 Lay-In Wireway ..... H8

## JW Series

NEMA 12 Feed-Through Wireway ..... H12

## SSJW Series

NEMA 12 Stainless Feed-Through  
Wireway ..... H16

## RSCG Series

NEMA 3R Wiring Trough..... H18

## T-CH Series

NEMA 12 Hinge-Cover Wiring Trough.... H20

## WIREWAYS & FITTINGS



## HS & S SERIES WIREWAY NEMA 1 WIREWAY & FITTINGS



HS442

S4424

### Industry Standards

UL 870

NEMA/EEMAC Type 1

UL Files E32576

CSA File LL66078

## FEATURES-SPECIFICATIONS

### Applications

Designed to protect electrical wiring in applications where dirt, dust, oil and water are not a serious problem. All sections are open on one side so wires and cable can be laid in along an entire wireway run.

A complete selection of sections and fittings is offered in five sizes:

- 2.50" x 2.50" (64 x 64)
- 4.00" x 4.00" (102 x 102)
- 6.00" x 6.00" (152 x 152)
- 8.00" x 8.00" (203 x 203)
- 10.00" x 10.00" (255 x 255)
- 12.00" x 12.00" (305 x 305)

### Construction

- Bodies and covers are fabricated from carbon steel or pre-galvanized steel
- Available with or without knockouts in all sizes except the 12.00" x 12.00" (305 x 305) which are available with out knockouts only (See reference table)
- HS Series combination hinge/screw cover design offers easy access to open top for "lay-in" of wiring. Screws do not need to be removed to open top

- S Series screw cover is held firmly in place with screws
- Straight sections with knockouts are provided on side walls of wireways

### Finish

- ANSI 61 gray polyester powder inside and out
- Pre-galvanized steel

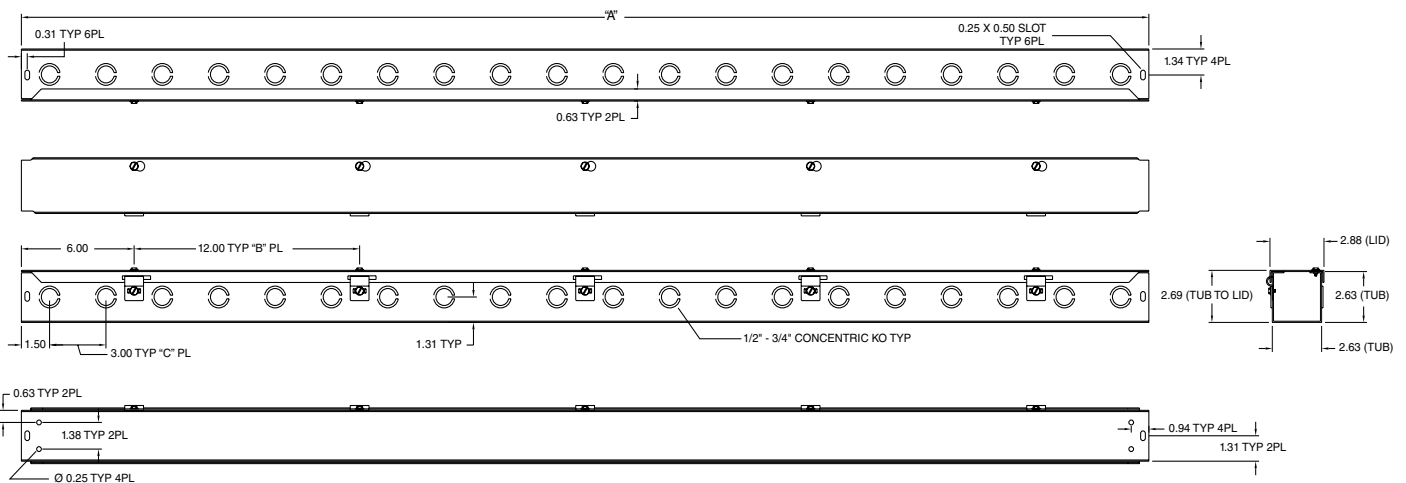
### HS & S SERIES WIREWAYS (STRAIGHT SECTIONS)

Catalog Number												Length
2.50 x 2.50 (64 x 64)		4.00 x 4.00 (102 x 102)		6.00 x 6.00 (152 x 152)		8.00 x 8.00 (203 x 203)		10.00 x 10.00 (254 x 254)		12.00 x 12.00 (305 x 305)		
With Knockouts	Without Knockouts	With Knockouts	Without Knockouts	With Knockouts	Without Knockouts	With Knockouts	Without Knockouts	With Knockouts	Without Knockouts	Without Knockouts		
<b>HINGE COVER</b>												
HS221	HS221NK	HS441	HS441NK	HS661	HS661NK	HS881	HS881NK	HS10101	HS10101NK	HS12121NK	12.00" (305)	
HS222	HS222NK	HS442	HS442NK	HS662	HS662NK	HS882	HS882NK	HS10102	HS10102NK	HS12122NK	24.00" (610)	
HS223	HS223NK	HS443	HS443NK	HS663	HS663NK	HS883	HS883NK	HS10103	HS10103NK	HS12123NK	36.00" (914)	
HS224	HS224NK	HS444	HS444NK	HS664	HS664NK	HS884	HS884NK	HS10104	HS10104NK	HS12124NK	48.00" (1219)	
HS225	HS225NK	HS445	HS445NK	HS665	HS665NK	HS885	HS885NK	HS10105	HS10105NK	HS12125NK	60.00" (1524)	
HS226	HS226NK	HS446	HS446NK	HS666	HS666NK	HS886	HS886NK	HS10106	HS10106NK	HS12126NK	72.00" (1829)	
HS228	HS228NK	HS448	HS448NK	HS668	HS668NK	HS888	HS888NK	HS10108	HS10108NK	HS12128NK	96.00" (2438)	
HS2210	HS2210NK	HS4410	HS4410NK	HS6610	HS6610NK	HS8810	HS8810NK	HS101010	HS101010NK	HS121210NK	120.00" (3048)	
<b>SCREW COVER</b>												
S2206	S2206NK	S4406	S4406NK	S6606	S6606NK	S8806	S8806NK	—	—	—	6.00" (152)	
S2212	S2212NK	S4412	S4412NK	S6612	S6612NK	S8812	S8812NK	S101012	S101012NK	S121212NK	12.00" (305)	
S2218	S2218NK	S4418	S4418NK	S6618	S6618NK	S8818	S8818NK	—	—	—	18.00" (457)	
S2224	S2224NK	S4424	S4424NK	S6624	S6624NK	S8824	S8824NK	S101024	S101024NK	S121224NK	24.00" (610)	
S2236	S2236NK	S4436	S4436NK	S6636	S6636NK	S8836	S8836NK	S101036	S101036NK	S121236NK	36.00" (914)	
S2248	S2248NK	S4448	S4448NK	S6648	S6648NK	S8848	S8848NK	S101048	S101048NK	S121248NK	48.00" (1219)	
S2260	S2260NK	S4460	S4460NK	S6660	S6660NK	S8860	S8860NK	S101060	S101060NK	S121260NK	60.00" (1524)	
S2272	S2272NK	S4472	S4472NK	S6672	S6672NK	S8872	S8872NK	S101072	S101072NK	S121272NK	72.00" (1829)	
S2296	S2296NK	S4496	S4496NK	S6696	S6696NK	S8896	S8896NK	S101096	S101096NK	S121296NK	96.00" (2438)	
S22120	S22120NK	S44120	S44120NK	S66120	S66120NK	S88120	S88120NK	S1010120	S1010120NK	S1212120NK	120.00" (3048)	
<b>SCREW COVER - GALVANIZED</b>												
S2212G	S2212GNK	S4412G	S4412GNK	S6612G	S6612GNK	S8812G	S8812GNK	S101012G	S101012GNK	S121212GNK	12.00" (305)	
S2224G	S2224GNK	S4424G	S4424GNK	S6624G	S6624GNK	S8824G	S8824GNK	S101024G	S101024GNK	S121224GNK	24.00" (610)	
S2236G	S2236GNK	S4436G	S4436GNK	S6636G	S6636GNK	S8836G	S8836GNK	S101036G	S101036GNK	S121236GNK	36.00" (914)	
S2248G	S2248GNK	S4448G	S4448GNK	S6648G	S6648GNK	S8848G	S8848GNK	S101048G	S101048GNK	S121248GNK	48.00" (1219)	
S2260G	S2260GNK	S4460G	S4460GNK	S6660G	S6660GNK	S8860G	S8860GNK	S101060G	S101060GNK	S121260GNK	60.00" (1524)	
S2272G	S2272GNK	S4472G	S4472GNK	S6672G	S6672GNK	S8872G	S8872GNK	S101072G	S101072GNK	S121272GNK	72.00" (1829)	
S2296G	S2296GNK	S4496G	S4496GNK	S6696G	S6696GNK	S8896G	S8896GNK	S101096G	S101096GNK	S121296GNK	96.00" (2438)	
S22120G	S22120GNK	S44120G	S44120GNK	S66120G	S66120GNK	S88120G	S88120GNK	S1010120G	S1010120GNK	S1212120GNK	120.00" (3048)	

**HS & S SERIES WIREWAY ACCESSORIES**

Catalog Number							Description
2.50 x 2.50 (64 x 64)	4.00 x 4.00 (102 x 102)	6.00 x 6.00 (152 x 152)	8.00 x 8.00 (203 x 203)	10.00 x 10.00* (254 x 254)	12.00 x 12.00** (305 x 305)		
E0202	E0404	E0606	E0808	—	—	End caps (with knockouts)	
E0202NK	E0404NK	E0606NK	E0808NK	E1010NK	E1212NK	End caps (without knockouts)	
T0202	T0404	T0606	T0808	T1010	T1212	Tee	
X0202	X0404	X0606	X0808	X1010	X1212	Cross	
AF0202	AF0404	AF0606	AF0808	AF1010	AF1212	Telescope	
C0202	C0404	C0606	C0808	C1010	C1212	Connectors	
PA0202	PA0404	PA0606	PA0808	PA1010	PA1212	Panel-Adapter	
BH0202	BH0404	BH0606	BH0808	BH1010	BH1212	Bracket Hanger	
—	R0402	R0604	R0806	R1008	R1208	Reducer	
SL020290	SL040490	SL060690	SL080890	SL101090	SL121290	Sweep Elbow – 90°	
L020290	L040490	L060690	L080890	L101090	L121290	Elbow – 90°	
L020245	L040445	L060645	L080845	L101045	L121245	Elbow – 45°	
<b>S SERIES ACCESSORIES (GALVANIZED)</b>							
—	E0404G	E0606G	E0808G	—	—	End caps (with knockouts)	
E0202GNK	—	—	—	E1010GNK	E1212GNK	End caps (without knockouts)	
T0202G	T0404G	T0606G	T0808G	T1010G	T1212G	Galvanized Tee	
X0202G	X0404G	X0606G	X0808G	X1010G	X1212G	Galvanized Cross	
AF0202G	AF0404G	AF0606G	AF0808G	AF1010G	AF1212G	Galvanized Telescope	
C0202G	C0404G	C0606G	C0808G	C1010G	C1212G	Galvanized Connectors	
PA0202G	PA0404G	PA0606G	PA0808G	PA1010G	PA1212G	Galvanized Panel-Adapter	
BH0202G	BH0404G	BH0606G	BH0808G	BH1010G	BH1212G	Galvanized Bracket Hanger	
—	R0402G	R0604G	R0806G	R1008G	R1208G	Galvanized Reducer	
SL020290G	SL040490G	SL060690G	SL080890G	SL101090G	SL121290G	Galvanized Sweep Elbow – 90°	
L020290G	L040490G	L060690G	L080890G	L101090G	L121290G	Galvanized Elbow – 90°	
L020245G	L040445G	L060645G	L080845G	L101045G	L121245G	Galvanized Elbow – 45°	

NK = No Knockouts

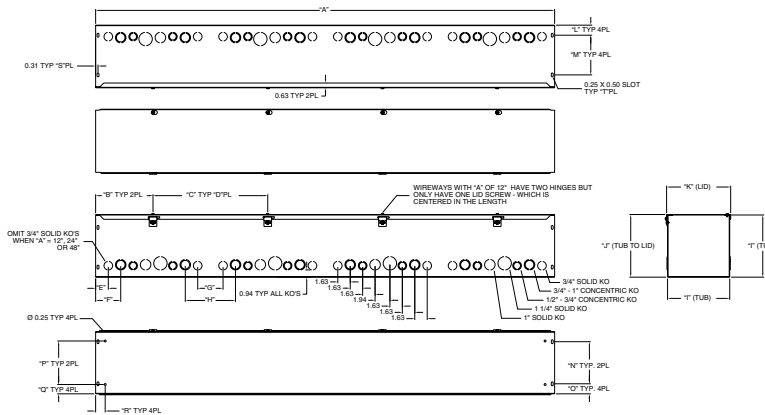


**HS SERIES 2" STRAIGHT SECTION DIMENSIONS**

**HS SERIES 4", 6", 8", 10" AND 12" STRAIGHT SECTION DIMENSIONS**

Catalog Number	A	B	C	D	E	F	G	H
HS441 & HS441NK	4.12 (103)	2.44 (61)	—	—	2.06 (52)	2.69 (67)	.72 (18)	.94 (24)
HS442 & HS442NK	4.12 (103)	2.44 (61)	—	—	2.06 (52)	2.69 (67)	.72 (18)	.94 (24)
HS443 & HS443NK	4.12 (103)	2.44 (61)	—	—	2.06 (52)	2.69 (67)	.72 (18)	.94 (24)
HS444 & HS444NK	4.12 (103)	2.44 (61)	—	—	2.06 (52)	2.69 (67)	.72 (18)	.94 (24)
HS445 & HS445NK	4.12 (103)	2.44 (61)	—	—	2.06 (52)	2.69 (67)	.72 (18)	.94 (24)
HS446 & HS446NK	4.12 (103)	2.44 (61)	—	—	2.06 (52)	2.69 (67)	.72 (18)	.94 (24)
HS4410 & HS4410NK	4.12 (103)	2.44 (61)	—	—	2.06 (52)	2.69 (67)	.72 (18)	.94 (24)
HS661 & HS661NK	6.12 (153)	1.34 (34)	3.53 (88)	3.56 (89)	1.28 (52)	3.75 (67)	1.19 (18)	1.12 (24)
HS662 & HS662NK	6.12 (153)	1.34 (34)	3.53 (88)	3.56 (89)	1.28 (52)	3.75 (67)	1.19 (18)	1.12 (24)
HS663 & HS663NK	6.12 (153)	1.34 (34)	3.53 (88)	3.56 (89)	1.28 (52)	3.75 (67)	1.19 (18)	1.12 (24)
HS664 & HS664NK	6.12 (153)	1.34 (34)	3.53 (88)	3.56 (89)	1.28 (52)	3.75 (67)	1.19 (18)	1.12 (24)
HS665 & HS665NK	6.12 (153)	1.34 (34)	3.53 (88)	3.56 (89)	1.28 (52)	3.75 (67)	1.19 (18)	1.12 (24)
HS666 & HS666NK	6.12 (153)	1.34 (34)	3.53 (88)	3.56 (89)	1.28 (52)	3.75 (67)	1.19 (18)	1.12 (24)
HS6610 & HS6610NK	6.12 (153)	1.34 (34)	3.53 (88)	3.56 (89)	1.28 (52)	3.75 (67)	1.19 (18)	1.12 (24)
HS881 & HS881NK	8.12 (203)	1.31 (33)	5.19 (88)	5.50 (89)	1.31 (33)	1.69 (43)	1.19 (18)	1.25 (24)
HS882 & HS882NK	8.12 (203)	1.31 (33)	5.19 (88)	5.50 (89)	1.31 (33)	1.69 (67)	1.19 (18)	1.25 (24))
HS883 & HS883NK	8.12 (203)	1.31 (33)	5.19 (88)	5.50 (89)	1.31 (33)	1.69 (67)	1.19 (18)	1.25 (24)
HS884 & HS884NK	8.12 (203)	1.31 (33)	5.19 (88)	5.50 (89)	1.31 (33)	1.69 (67)	1.19 (18)	1.25 (24)
HS885 & HS885NK	8.12 (203)	1.31 (33)	5.19 (88)	5.50 (89)	1.31 (33)	1.69 (67)	1.19 (18)	1.25 (24)
HS886 & HS886NK	8.12 (203)	1.31 (33)	5.19 (88)	5.50 (89)	1.31 (33)	1.69 (67)	1.22 (18)	1.25 (24)
HS8810 & HS8810NK	8.12 (203)	1.31 (33)	5.19 (88)	5.50 (89)	1.31 (33)	1.69 (67)	1.22 (18)	1.25 (24)
HS10101 & HS10101NK	10.12 (257)	1.25 (24)	7.25 (184)	6.43 (163)	1.84 (47)	7.25 (184)	1.43 (36)	1.25 (24)
HS10102 & HS10102NK	10.12 (257)	1.25 (24)	7.25 (184)	6.43 (163)	1.84 (47)	7.25 (184)	1.43 (36)	1.25 (24)
HS10103 & HS10103NK	10.12 (257)	1.25 (24)	7.25 (184)	6.43 (163)	1.84 (47)	7.25 (184)	1.43 (36)	1.25 (24)
HS10104 & HS10104NK	10.12 (257)	1.25 (24)	7.25 (184)	6.43 (163)	1.84 (47)	7.25 (184)	1.43 (36)	1.25 (24)
HS10105 & HS10105NK	10.12 (257)	1.25 (24)	7.25 (184)	6.43 (163)	1.84 (47)	7.25 (184)	1.43 (36)	1.25 (24)
HS10106 & HS10106NK	10.12 (257)	1.25 (24)	7.25 (184)	6.43 (163)	1.84 (47)	7.25 (184)	1.43 (36)	1.25 (24)
HS101010 & HS101010NK	10.12 (257)	1.25 (24)	7.25 (184)	6.43 (163)	1.84 (47)	7.25 (184)	1.43 (36)	1.25 (24)
HS12121NK	12.12 (307)	1.31 (33)	9.56 (242)	3.63 (92)	4.25 (107)	9.25 (234)	1.43 (36)	1.25 (24)
HS12122NK	12.12 (307)	1.31 (33)	9.56 (242)	3.63 (92)	4.25 (107)	9.25 (234)	1.43 (36)	1.25 (24)
HS12123NK	12.12 (307)	1.31 (33)	9.56 (242)	3.63 (92)	4.25 (107)	9.25 (234)	1.43 (36)	1.25 (24)
HS12124NK	12.12 (307)	1.31 (33)	9.56 (242)	3.63 (92)	4.25 (107)	9.25 (234)	1.43 (36)	1.25 (24)
HS12125NK	12.12 (307)	1.31 (33)	9.56 (242)	3.63 (92)	4.25 (107)	9.25 (234)	1.43 (36)	1.25 (24)
HS12126NK	12.12 (307)	1.31 (33)	9.56 (242)	3.63 (92)	4.25 (107)	9.25 (234)	1.43 (36)	1.25 (24)
HS121210NK	12.12 (307)	1.31 (33)	9.56 (242)	3.63 (92)	4.25 (107)	9.25 (234)	1.43 (36)	1.25 (24)

NK = No Knockouts

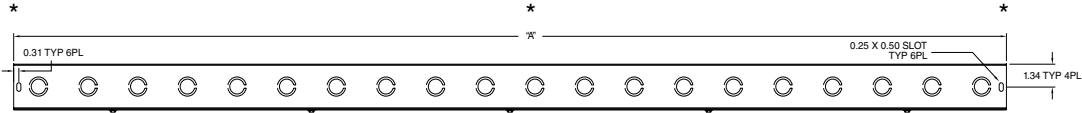


**HS SERIES 4", 6", 8",  
10" AND 12" STRAIGHT  
SECTION DIMENSIONS**

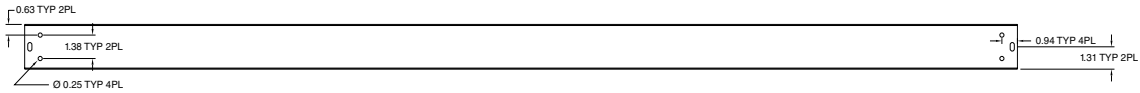
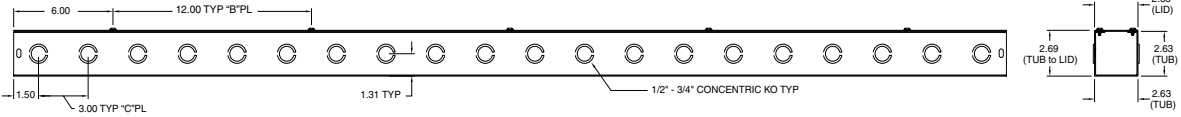
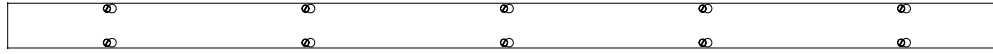
**S SERIES 4", 6", 8", 10" AND 12" STRAIGHT SECTION DIMENSIONS**

Catalog Number	A	B	C	D	E	F	G	H
S4412, S4412G, S4412NK & S4412GNK	4.12 (103)	2.44 (61)	—	—	2.06 (52)	2.69 (67)	.72 (18)	.94 (24)
S4424, S4424G, S4424NK & S4424GNK	4.12 (103)	2.44 (61)	—	—	2.06 (52)	2.69 (67)	.72 (18)	.94 (24)
S4436, S4436G, S4436NK & S4436GNK	4.12 (103)	2.44 (61)	—	—	2.06 (52)	2.69 (67)	.72 (18)	.94 (24)
S4448, S4448G, S4448NK & S4448GNK	4.12 (103)	2.44 (61)	—	—	2.06 (52)	2.69 (67)	.72 (18)	.94 (24)
S4460, S4460G, S4460NK & S4460GNK	4.12 (103)	2.44 (61)	—	—	2.06 (52)	2.69 (67)	.72 (18)	.94 (24)
S4472, S4472G, S4472NK & S4472GNK	4.12 (103)	2.44 (61)	—	—	2.06 (52)	2.69 (67)	.72 (18)	.94 (24)
S44120, S44120G, S44120NK & S44120GNK	4.12 (103)	2.44 (61)	—	—	2.06 (52)	2.69 (67)	.72 (18)	.94 (24)
S6612, S6612G, S6612NK & S6612GNK	6.12 (153)	1.34 (34)	3.53 (88)	3.56 (89)	1.28 (52)	3.75 (67)	1.19 (18)	1.12 (24)
S6624, S6624G, S6624NK & S6624GNK	6.12 (153)	1.34 (34)	3.53 (88)	3.56 (89)	1.28 (52)	3.75 (67)	1.19 (18)	1.12 (24)
S6636, S6636G, S6636NK & S6636GNK	6.12 (153)	1.34 (34)	3.53 (88)	3.56 (89)	1.28 (52)	3.75 (67)	1.19 (18)	1.12 (24)
S6648, S6648G, S6648NK & S6648GNK	6.12 (153)	1.34 (34)	3.53 (88)	3.56 (89)	1.28 (52)	3.75 (67)	1.19 (18)	1.12 (24)
S6660, S6660G, S6660NK & S6660GNK	6.12 (153)	1.34 (34)	3.53 (88)	3.56 (89)	1.28 (52)	3.75 (67)	1.19 (18)	1.12 (24)
S6672, S6672G, S6672NK & S6672GNK	6.12 (153)	1.34 (34)	3.53 (88)	3.56 (89)	1.28 (52)	3.75 (67)	1.19 (18)	1.12 (24)
S88120, S88120G, S88120NK & S88120GNK	6.12 (153)	1.34 (34)	3.53 (88)	3.56 (89)	1.28 (52)	3.75 (67)	1.19 (18)	1.12 (24)
S8812, S8812G, S8812NK & S8812GNK	8.12 (203)	1.31 (34)	5.19 (88)	5.50 (89)	1.31 (52)	1.69 (67)	1.22 (18)	1.25 (24)
S8824, S8824G, S8824NK & S8824GNK	8.12 (203)	1.31 (34)	5.19 (88)	5.50 (89)	1.31 (52)	1.69 (67)	1.22 (18)	1.25 (24)
S8836, S8836G, S8836NK & S8836GNK	8.12 (203)	1.31 (34)	5.19 (88)	5.50 (89)	1.31 (52)	1.69 (67)	1.22 (18)	1.25 (24)
S8848, S8848G, S8848NK & S8848GNK	8.12 (203)	1.31 (34)	5.19 (88)	5.50 (89)	1.31 (52)	1.69 (67)	1.22 (18)	1.25 (24)
S8860, S8860G, S8860NK & S8860GNK	8.12 (203)	1.31 (34)	5.19 (88)	5.50 (89)	1.31 (52)	1.69 (67)	1.22 (18)	1.25 (24)
S8872, S8872G, S8872NK & S8872GNK	8.12 (203)	1.31 (34)	5.19 (88)	5.50 (89)	1.31 (52)	1.69 (67)	1.22 (18)	1.25 (24)
S88120, S88120G, S88120NK & S88120GNK	8.12 (203)	1.31 (34)	5.19 (88)	5.50 (89)	1.31 (52)	1.69 (67)	1.22 (18)	1.25 (24)

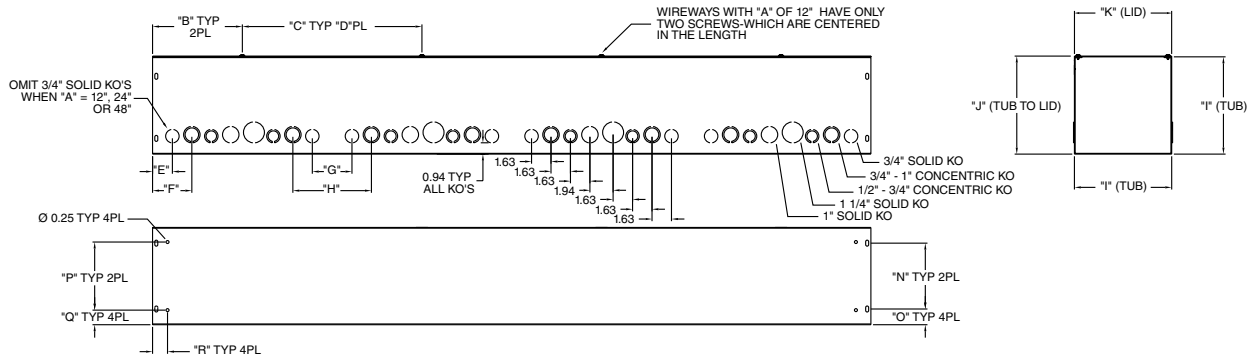
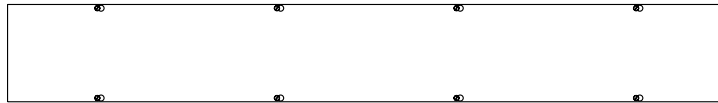
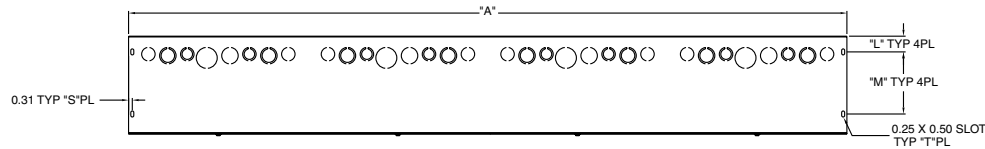
**HS & S SERIES WIREWAY  
NEMA 1 WIREWAY & FITTINGS**



\* Factory suggestions for Mounting Bracket Hangers on 10' sections.



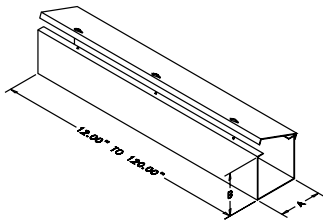
**S SERIES 2" STRAIGHT SECTION DIMENSIONS**



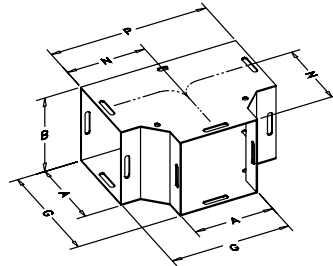
**S SERIES 4", 6", 8" 10" AND 12" STRAIGHT SECTION DIMENSIONS**

**HS & S SERIES ACCESSORIES DIMENSIONS**

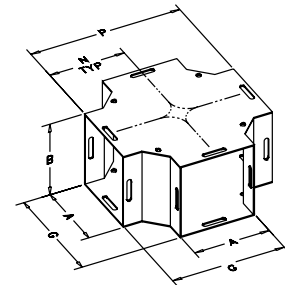
AxB	G	H	J	K	L	M	N	O	P	Q
2.50x2.50 (64x64)	4.5 (114)	2.75 (70)	7.91(201)	7.75 (197)	4.63 (117)	3.31 (84)	3.25 (83)	3.75 (95)	6.5 (165)	—
4.00x4.00 (102x102)	6.00 (152)	3.38 (86)	9.41 (239)	10.75 (273)	6.13 (153)	4.06 (103)	4.00 (102)	5.25 (133)	8.00 (203)	—
6.00x6.00 (152x152)	8.00 (152)	4.25 (108)	11.34 (288)	14.75 (375)	8.13 (206)	3.28 (83)	5.00 (127)	7.25 (184)	10.00 (254)	6.84 (174)
8.00x8.00 (203x203)	10.00 (254)	5.06 (129)	13.44 (341)	18.75 (476)	10.13 (257)	3.28 (83)	6.00 (152)	9.25 (235)	12.00 (305)	8.84 (225)
10.00x10.00 (254x254)	12.00 (305)	5.06 (129)	13.44 (341)	18.75 (476)	10.13 (257)	3.28 (83)	6.00 (152)	9.25 (235)	12.00 (305)	8.84 (225)
12.00x12.00 (305x305)	5.89 (150)	6.75 (171)	17.44 (443)	25.75 (654)	14.13 (359)	—	8.00 (203)	13.25 (337)	16.00 (406)	—



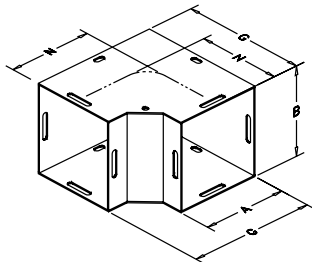
**Straight Section**



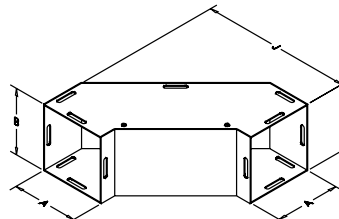
**Tee**



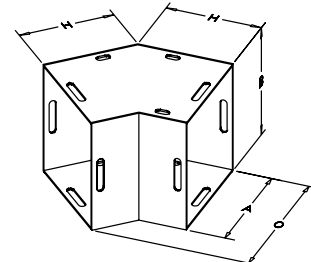
**Cross**



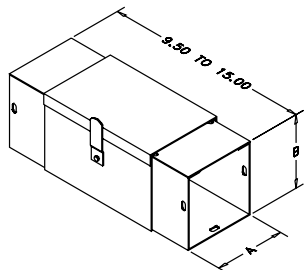
**90° Elbow**



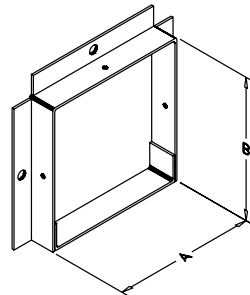
**Sweep Elbow**



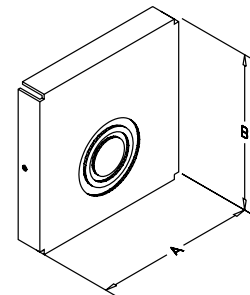
**45° Elbow**



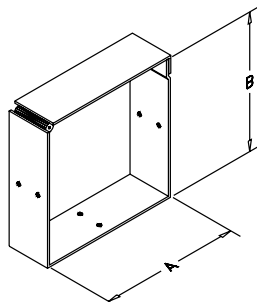
**Telescope Fitting**



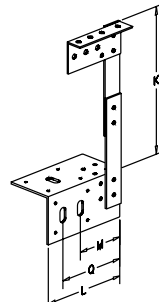
**Panel Adapter**



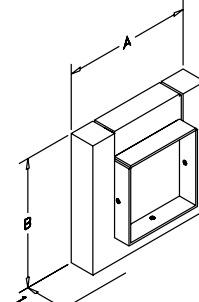
**End Cap**



**Connector**



**Combination Hanger**



**Reducer**



LJW24

### Industry Standards

UL 870  
NEMA Type 12

 UL Files E32576

 CSA File LL66078

## FEATURES-SPECIFICATIONS

### Applications

Designed to protect electrical wiring from dirt, dust, oil, and water. All straight sections and fittings feature an open-top design for easy “lay-in” of wiring. No “pulling through” of wires and cables is required with this design.

A complete selection of straight sections and fittings are offered in five sizes (H x W):

- 2.50" x 2.50" (64 x 64)
- 4.00" x 4.00" (102 x 102)
- 6.00" x 6.00" (152 x 152)
- 8.00" x 8.00" (203 x 203)
- 6.00" x 12.00" (152 x 305)

### Construction

- Bodies and covers are fabricated from carbon steel
- Seams are continuously welded and ground smooth
- Smooth rounded edges on all sections and fittings prevent damage to the wire insulation
- Closed cell oil resistant neoprene strip gasket

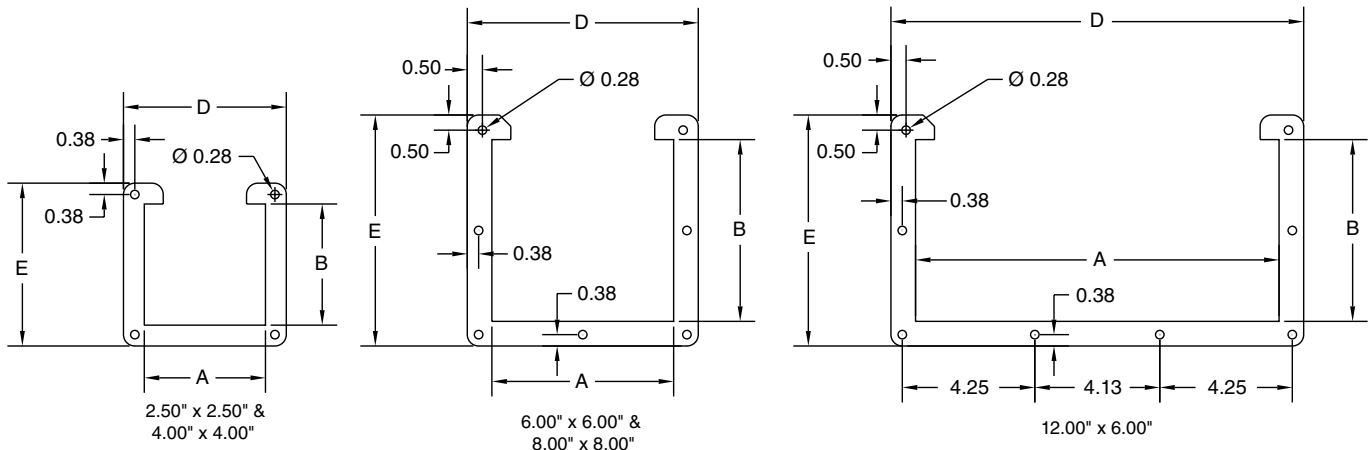
- Solid oil-resistant gasket positioned between flanges when sections and fittings are bolted together
- Butt hinges and external quick-release clamps insure a complete seal between covers and body yet permit immediate access to wireway interior
- Gasketed quick-release captivated sealing plate provides complete seal at each joint
- All necessary gaskets, nuts, and bolts furnished for efficient assembly

### Finish

- ANSI 61 gray polyester powder inside and out

### LJW SERIES LAY-IN WIREWAY (STRAIGHT SECTIONS)

Catalog Number					Length
2.50 x 2.50 (64 x 64)	4.00 x 4.00 (102 x 102)	6.00 x 6.00 (152 x 152)	8.00 x 8.00 (203 x 203)	6.00 x 12.00 (152 x 305)	
LJW21	LJW41	LJW61	LJW81	LJW1261	12.00" (205)
LJW22	LJW42	LJW62	LJW82	LJW1262	24.00" (610)
LJW23	LJW43	LJW63	LJW83	LJW1263	36.00" (914)
LJW24	LJW44	LJW64	LJW84	LJW1264	48.00" (1219)
LJW25	LJW45	LJW65	LJW85	LJW1265	60.00" (1524)
LJW210	LJW410	LJW610	LJW810	LJW12610	120.00" (3048)





# LJW SERIES NEMA 12 LAY-IN WIREWAY & FITTINGS

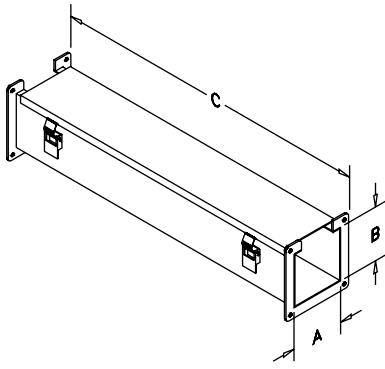
# H9

## LJW SERIES LAY-IN WIREWAY (FITTINGS)

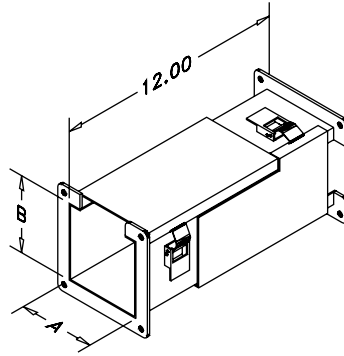
		Catalog Number										Description	
2.50 x 2.50 (64 x 64)		4.00 x 4.00 (102 x 102)		6.00 x 6.00 (152 x 152)		8.00 x 8.00 (203 x 203)		6.00 x 12.00* (152 x 305)					
LJWS2	LJWS4	LJWS6	LJWS8	LJWS126									Telescope (not UL listed)
LJWF2	LJWF4	LJWF6	LJWF8	LJWF126									Lay-in, cut-off
LJWL902A	LJWL904A	LJWL906A	LJWL908A	LJWL90126A									90 Degree elbow top
LJWL902B	LJWL904B	LJWL906B	LJWL908B	LJWL90126B									90 Degree elbow inside
LJWL902C	LJWL904C	LJWL906C	LJWL908C	LJWL90126C									90 Degree elbow outside
LJWL452A	LJWL454A	LJWL456A	LJWL458A	LJWL45126A									45 Degree elbow top
LJWL452B	LJWL454B	LJWL456B	LJWL458B	—									45 Degree elbow inside
LJWL452C	LJWL454C	LJWL456C	LJWL458C	—									45 Degree elbow outside
LJWT2A	LJWT4A	LJWT6A	LJWT8A	LJWT126A									Tee-top
LJWT2C	LJWT4C	LJWT6C	LJWT8C	—									Tee-outside
LJWX2	LJWX4	LJWX6	LJWX8	LJWX126									Cross
LJWE2	LJWE4	LJWE6	LJWE8	LJWE126									Closure plate
LJWA2	LJWA4	LJWA6	LJWA8	LJWA126									Box connector
—	LJWRB42	—	—	—									Reducer 4.00x4.00 to 4.00x2.50
—	—	LJWRB64	—	—									Reducer 6.00x6.00 to 4.00x4.00
—	—	—	LJWRB86	—									Reducer 8.00x8.00 to 6.00x6.00
—	—	—	—	LJWRB1266									Reducer 12.00x6.00 to 6.00x6.00
JWD2	JWD4	JWD6	JWD8	—									Drop-hanger
JWBH2	JWBH4	JWBH6	JWBH8	—									Bracket-hanger
LJWN221	LJWN441	LJWN661	LJWN881	—									1.00" Nipple
LJWN222	LJWN442	LJWN662	LJWN882	—									2.00" Nipple
LJWN223	LJWN443	LJWN663	LJWN883	—									3.00" Nipple
LJWN226	LJWN446	LJWN666	LJWN886	LJWN1266									6.00" Nipple
LJW21CW	LJW41CW	LJW61CW	LJW81CW	—									12" Length clockwise transposition straight section
LJW21CCW	LJW41CCW	LJW61CCW	LJW81CCW	—									12" Length counter clockwise transposition straight
LJWL902CW	LJWL904CW	LJW906CW	LJW908CW	—									90 Degree elbow clockwise
LJWL902CCW	LJWL904CCW	LJWL906CCW	LJWL908CCW	—									90 Degree elbow counter clockwise
LJW2QRSP	LJW4QRSP	LJW6QRSP	LJW8QRSP	LJW126QRSP									Quick release flat sealing plate
LJW2ASP	LJW4ASP	LJW6ASP	LJW8ASP	LJW126ASP									90 Degree angle sealing plate
—	JW4BK60	JW6BK60	JW8BK60	JW6BK60									60.00" Barrier kit

## LJW SERIES WIREWAYS & FITTINGS DIMENSIONS

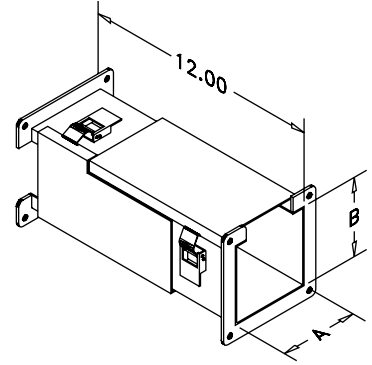
AxB	C - Length								D	E	G	H	J	K	P	R	S	T	U
2.50x2.50 (64x64)	6.00 (152)	12.00 (305)	24.00 (610)	36.00 (914)	48.00 (1219)	60.00 (1524)	120.00 (3048)	3.88 (99)	3.88 (99)	8.5 (216)	4.13 (105)	2.00 (51)	4.25 (108)	4.63 (118)	3.75 (95)	9.30 (237)	4.50 (114)	4.38 (111)	
4.00x4.00 (102x102)	6.00 (152)	12.00 (305)	24.00 (610)	36.00 (914)	48.00 (1219)	60.00 (1524)	120.00 (3048)	5.38 (137)	5.38 (137)	10.00 (254)	5.00 (127)	2.44 (62)	5.00 (127)	6.13 (156)	3.75 (95)	11.75 (298)	6.00 (152)	5.88 (149)	
6.00x6.00 (152x152)	6.00 (152)	12.00 (305)	24.00 (610)	36.00 (914)	48.00 (1219)	60.00 (1524)	120.00 (3048)	7.63 (194)	7.63 (194)	12.00 (305)	6.00 (152)	3.00 (76)	6.00 (152)	8.25 (210)	3.75 (95)	15.25 (387)	8.13 (207)	7.88 (200)	
8.00x8.00 (203x203)	6.00 (152)	12.00 (305)	24.00 (610)	36.00 (914)	48.00 (1219)	60.00 (1524)	120.00 (3048)	9.63 (245)	9.63 (245)	14.00 (356)	7.00 (178)	3.75 (95)	7.00 (178)	10.25 (260)	3.75 (95)	20.56 (522)	12.13 (308)	9.88 (251)	
12.00x6.00 (305x152)	6.00 (152)	12.00 (305)	24.00 (610)	36.00 (914)	48.00 (1219)	60.00 (1524)	120.00 (3048)	13.63 (346)	7.63 (194)	18.00 (457)	6.00 (152)	4.75 (121)	9.00 (229)	—	—	—	—	—	



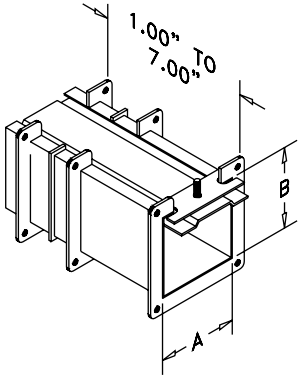
**Straight**



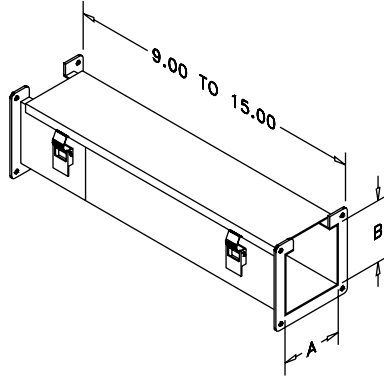
**Clockwise Transposition  
Straight Section**



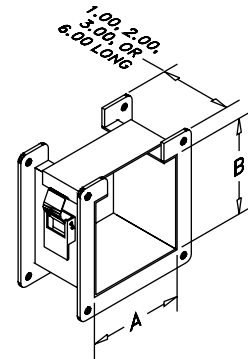
**Counter-Clockwise Transposition  
Straight Section**



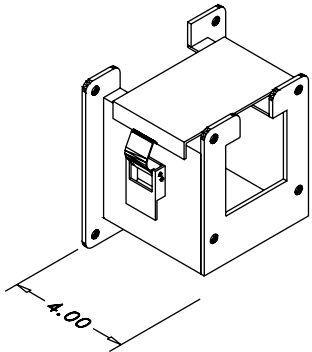
**Lay-In Telescope Fitting**



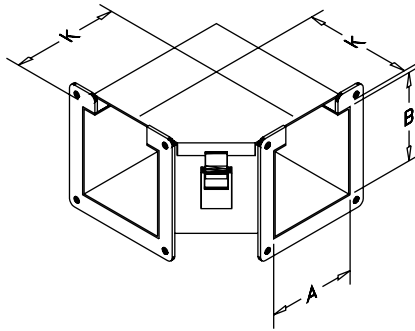
**Lay-In Cut-Off Fitting**



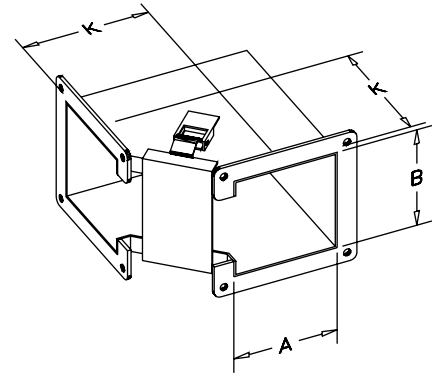
**Nipple**



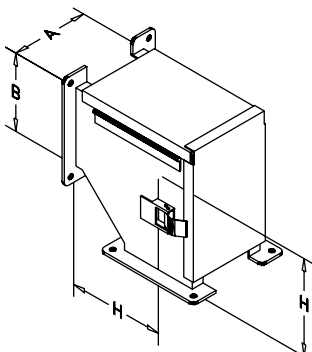
**Reducer**



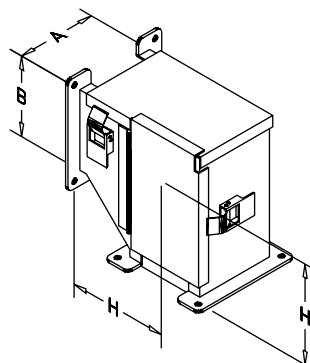
**90° Elbow Top Opening**



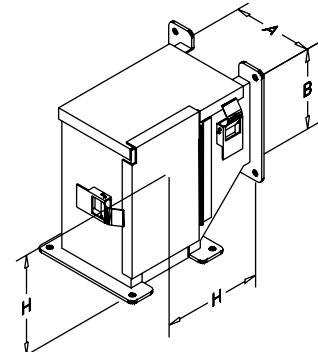
**90° Elbow Inside Opening**



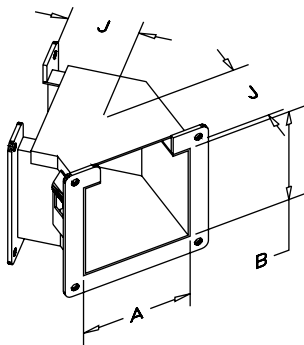
**90° Elbow Outside Opening**



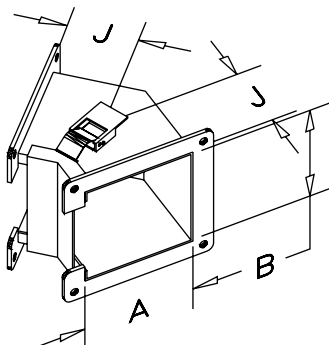
**90° Elbow Clockwise Transposition**



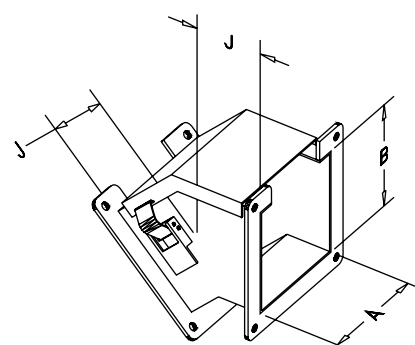
**90° Elbow Counter-Clockwise  
Transposition**



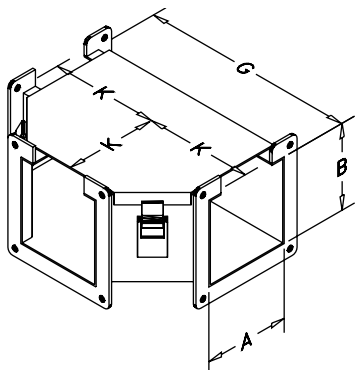
**45° Elbow Top Opening**



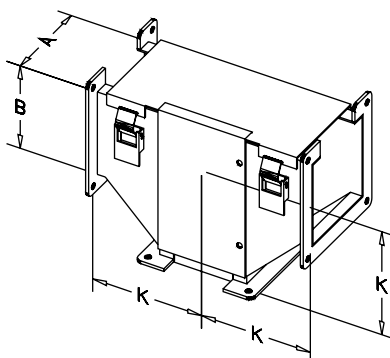
**45° Elbow Inside Opening**



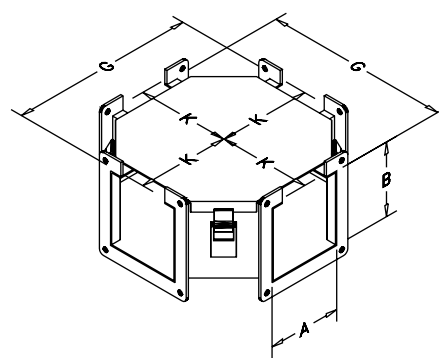
**45° Elbow Outside Opening**



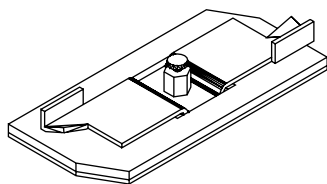
**Tee Top Opening**



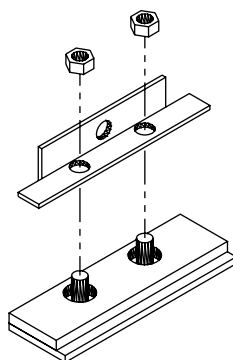
**Tee Outside Opening**



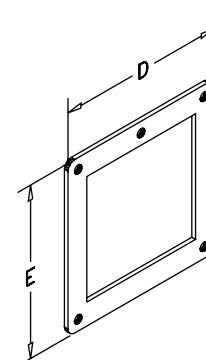
**Cross**



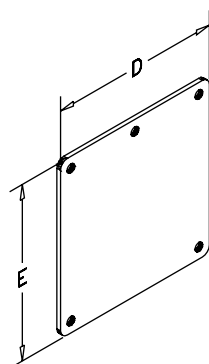
**Quick Release Flat Sealing Plate**



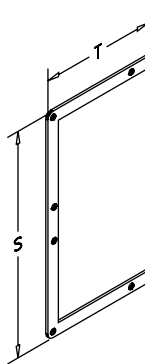
**90° Angle Sealing Plate**



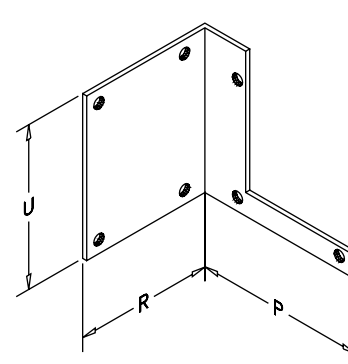
**Box Connector**



**Closure Plate**



**Drop Hanger**



**Bracket Hanger**



JW24

Industry Standards  
UL 870  
NEMA Type 12

 UL Files E32576

 CSA File LL66078

### FEATURES-SPECIFICATIONS

#### Applications

Designed to protect electrical wiring from dirt, dust, oil, and water. All straight sections feature a hinged-top design for easy wiring.

A complete selection of sections and fittings is offered in four sizes (H x W):

- 2.50" x 2.50" (64 x 64)
- 4.00" x 4.00" (102 x 102)
- 6.00" x 6.00" (152 x 152)
- 8.00" x 8.00" (203 x 203)

#### Construction

- Bodies and covers are fabricated from carbon steel
- Seams are continuously welded and ground smooth
- Smooth rounded edges on all sections and fittings prevent damage to wire insulation
- Closed cell oil resistant neoprene strip gasket
- Solid oil resistant gasket is furnished to provide complete seal at each joint

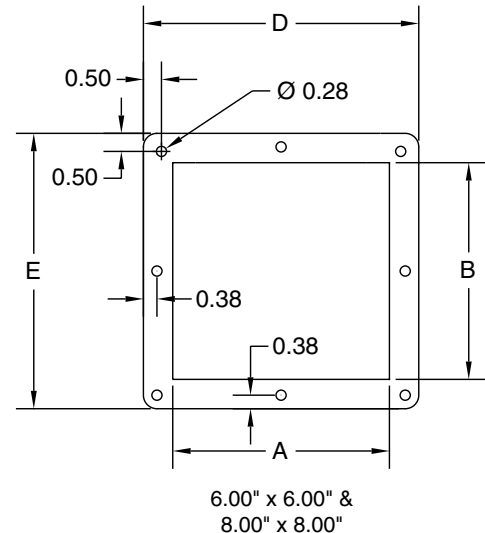
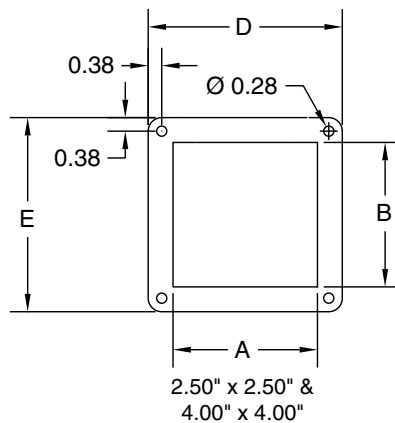
- Butt hinges and external screw clamps to insure a complete seal between covers and bodies
- All necessary gaskets, nuts and bolts furnished for efficient assembly

#### Finish

- ANSI 61 gray polyester powder inside and out

#### JW SERIES FEED-THROUGH WIREWAY (STRAIGHT SECTIONS)

Catalog Number				Length
2.50 x 2.50 (64 x 64)	4.00 x 4.00 (102 x 102)	6.00 x 6.00 (152 x 152)	8.00 x 8.00 (203 x 203)	
JW21	JW41	JW61	JW81	12.00" (205)
JW22	JW42	JW62	JW82	24.00" (610)
JW23	JW43	JW63	JW83	36.00" (914)
JW24	JW44	JW64	JW84	48.00" (1219)
JW25	JW45	JW65	JW85	60.00" (1524)
JW210	JW410	JW610	JW810	120.00" (3048)



# NEMA 12 FEED-THROUGH WIREWAY & FITTINGS

**JW SERIES**

**H13**

**JW SERIES FEED THROUGH WIREWAY (FITTINGS)**

Catalog Number				Description
2.50 x 2.50 (64 x 64)	4.00 x 4.00 (102 x 102)	6.00 x 6.00 (152 x 152)	8.00 x 8.00 (203 x 203)	
JWS2	JWS4	JWS6	JWS8	Telescope*
JWF2	JWF4	JWF6	JWF8	Cut-off (1 set of gaskets and screws included)
JWL902	JWL904	JWL906	JWL908	90 Degree elbow (1 set of gaskets and screws included)
JWL452	JWL454	JWL456	JWL458	45 Degree elbow (1 set of gaskets and screws included)
JWT2	JWT4	JWT6	JWT8	Tee-top (2 sets of gaskets and screws included)
JWX2	JWX4	JWX6	JWX8	Cross (3 sets of gaskets and screws included)
JWE2	JWE4	JWE6	JWE8	End plate (1 set of gaskets and screws included)
JWA2	JWA4	JWA6	JWA8	Box adaptor (1 set of gaskets and screws included)
—	JWRB42C	—	—	Reducer 4.00" (102) to 2.50" (64) center hole**
—	—	JWRB64C	—	Reducer 6.00" (152) to 4.00" (102) center hole**
—	—	—	JWRB84C	Reducer 8.00" (203) to 4.00" (102) center hole**
—	—	—	JWRB86C	Reducer 8.00"(203) to 6.00" (152) center hole**
JWD2	JWD4	JWD6	JWD8	Drop-hanger
JWBH2	JWBH4	JWBH6	JWBH8	Bracket-hanger
JWN221	JWN441	JWN661	JWN881	1.00" Nipple
JWN222	JWN442	JWN662	JWN882	2.00" Nipple
JWN223	JWN443	JWN663	JWN883	3.00" Nipple
JWN226	JWN446	JWN666	JWN886	6.00" Nipple
JWSC22	JWSC44	JWSC66	—	Swivel nipple-regular
JWFF2	JWFF4	JWFF6	JWFF8	Flexible fitting***
—	JW4BK60	JW6BK60	JW8BK60	60.00" Barrier kit
JWG22	JWG44	JWG66	JWG88	Extra gasket and screws

\* Not UL listed.

\*\* One set of gaskets and screws included with all reducers.

\*\*\*Minimum length 3", maximum length 8".

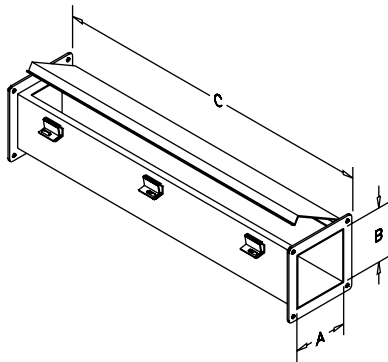
**JW SERIES WIREWAY & FITTINGS DIMENSIONS**

AxB	C - Length						D	E	G	H	J	K	P	R	S	T	U	
2.50x2.50 (64x64)	12.00 (305)	24.00 (610)	36.00 (914)	48.00 (1219)	60.00 (1524)	120.00 (3048)	3.88 (99)	3.88 (99)	5.5 (140)	8.50 (216)	2.50 (64)	2.00 (51)	4.25 (108)	4.63 (118)	3.75 (95)	9.31 (236)	4.50 (114)	4.38 (111)
4.00x4.00 (102x102)	12.00 (305)	24.00 (610)	36.00 (914)	48.00 (1219)	60.00 (1524)	120.00 (3048)	5.38 (137)	5.38 (37)	7.00 (178)	10.00 (254)	3.25 (83)	2.40 (62)	5.00 (127)	6.13 (156)	3.75 (95)	11.75 (298)	6.00 (152)	5.88 (149)
6.00x6.00 (152x152)	12.00 (305)	24.00 (610)	36.00 (914)	48.00 (1219)	60.00 (1524)	120.00 (3048)	7.63 (194)	7.63 (194)	9.00 (229)	12.00 (305)	4.25 (108)	3.00 (76)	6.00 (152)	8.25 (210)	3.75 (95)	15.25 (387)	8.13 (207)	7.88 (200)
8.00x8.00 (203x203)	12.00 (305)	224.00 (610)	36.00 (914)	48.00 (1219)	60.00 (1524)	120.00 (3048)	9.63 (245)	9.63 (245)	11.00 (279)	14.00 (356)	5.25 (133)	3.75 (95)	7.00 (178)	10.25 (260)	3.75 (95)	20.56 (522)	12.13 (308)	9.88 (251)

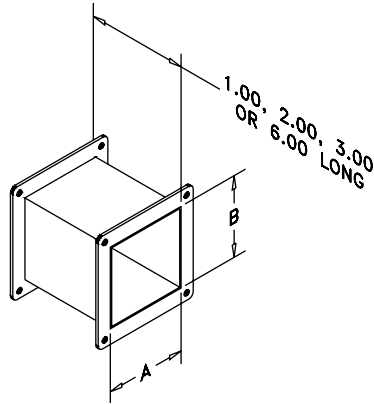
## JW SERIES NEMA 12 FEED-THROUGH WIREWAY & FITTINGS

### JW SERIES WIREWAY & FITTINGS DIMENSIONS

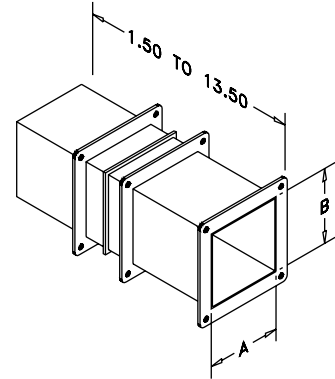
AxB	C - Length					D	E	G	H	J	K	P	R	S	T	U	
2.50x2.50 (64x64)	12.00 (305)	24.00 (610)	36.00 (914)	48.00 (1219)	60.00 (1524)	120.00 (3048)	3.88 (99)	5.50 (140)	8.50 (216)	2.50 (64)	2.00 (51)	4.25 (108)	4.63 (118)	3.75 (95)	9.31 (236)	4.50 (114)	4.38 (111)
4.00x4.00 (102x102)	12.00 (305)	24.00 (610)	36.00 (914)	48.00 (1219)	60.00 (1524)	120.00 (3048)	5.38 (137)	7.00 (178)	10.00 (254)	3.25 (83)	2.44 (62)	5.00 (127)	6.13 (156)	3.75 (95)	11.75 (298)	6.00 (152)	5.88 (149)
6.00x6.00 (152x152)	12.00 (305)	24.00 (610)	36.00 (914)	48.00 (1219)	60.00 (1524)	120.00 (3048)	7.63 (194)	9.00 (229)	12.00 (305)	4.25 (108)	3.00 (76)	6.00 (152)	8.25 (210)	3.75 (95)	15.25 (387)	8.13 (207)	7.88 (200)
8.00x8.00 (203x203)	12.00 (305)	24.00 (610)	36.00 (914)	48.00 (1219)	60.00 (1524)	120.00 (3048)	9.63 (245)	11.00 (279)	14.00 (356)	5.25 (133)	3.75 (95)	7.00 (178)	10.25 (260)	3.75 (95)	20.56 (522)	12.13 (308)	9.88 (251)



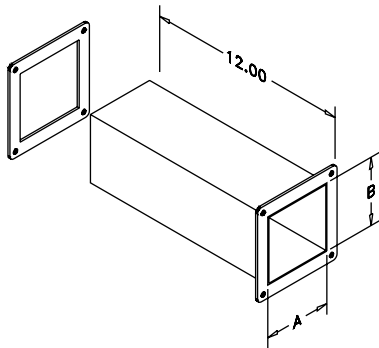
Straight Section



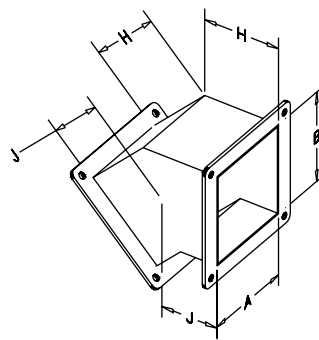
Nipple



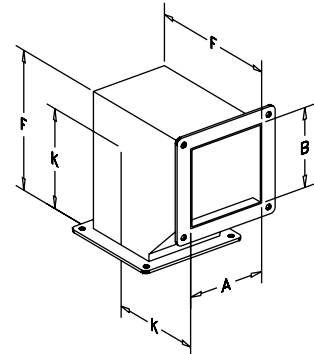
Telescope Fitting



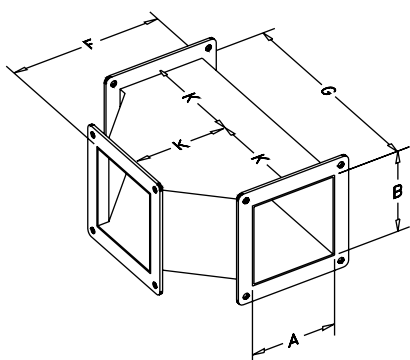
Cut-Off Fitting



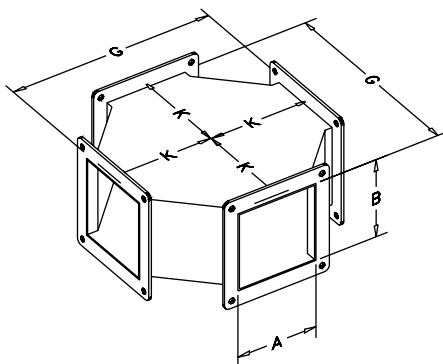
45° Elbow



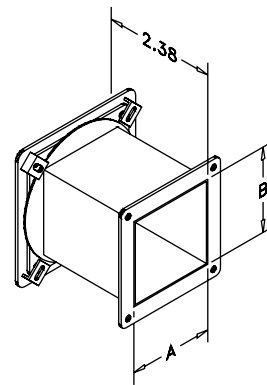
90° Elbow



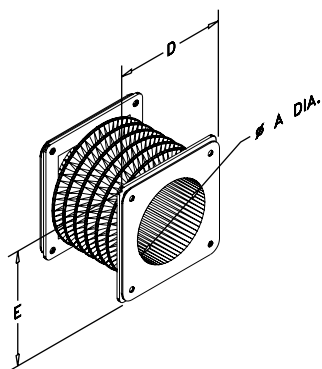
**Tee**



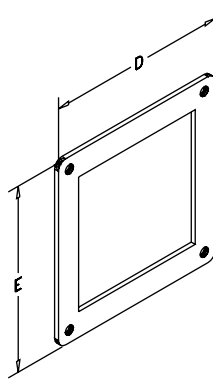
**Cross**



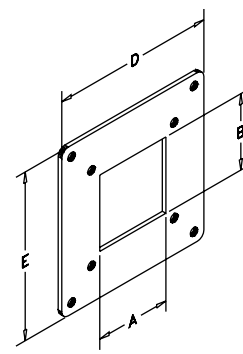
**Swivel Nipple**



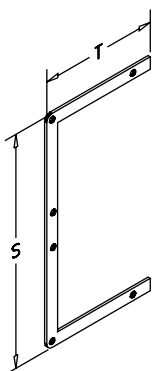
**Flexible Fitting**



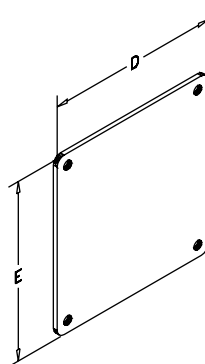
**Box Adapter**



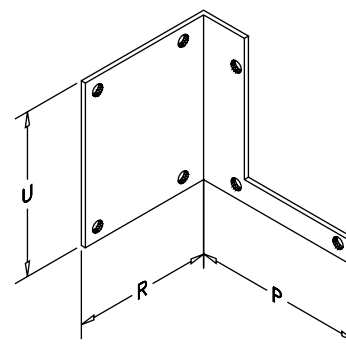
**Reducer Center Hole**



**Drop Hanger**



**Closure Plate**




**Bracket Hanger**



SSJW42

**Industry Standards**  
UL 870  
NEMA Type 4X & 12

 UL Files E32576

 CSA File LL66078

### FEATURES-SPECIFICATIONS

#### Applications

Designed to protect electrical wiring in areas where corrosion problems exist.

A complete selection of sections and fittings is offered in two sizes:

4.00" x 4.00" (102 x 102)

6.00" x 6.00" (152 x 152)

#### Construction

- Bodies and covers are fabricated from 304 stainless steel
- Features hinged top for easy wiring
- Seams are continuously welded and ground smooth
- Smooth rounded edges on all sections and fittings prevent damage to the wire insulation
- Closed cell oil resistant neoprene strip gasket
- Butt hinges and external stainless steel screw clamps to insure a complete seal between covers and bodies
- Solid oil-resistant gasket is furnished to provide complete seal at each joint
- All necessary gaskets, nuts and bolts furnished for efficient assembly

#### Finish

- Exterior surfaces of the enclosure have a smooth grained finish

#### JW SERIES FEEDTHROUGH WIREWAY (STRAIGHT SECTIONS)

Catalog Number		Description
4.00 x 4.00 (102 x 102)	6.00 x 6.00 (152 x 152)	
SSJW41	SSJW61	12.00" (205) Straight section
SSJW42	SSJW62	24.00" (610) Straight section
SSJW43	SSJW63	36.00" (914) Straight section
SSJW44	SSJW64	48.00" (1219) Straight section
SSJW45	SSJW65	60.00" (1524) Straight section
SSJW410	SSJW610	120.00" (3048) Straight section
SSJWS4	SSJWS6	Telescope (not UL listed)
SSJWL904	SSJWL906	90° Elbow (1 set of gaskets and screws included)
SSJWL454	SSJWL456	45° Elbow (1 set of gaskets and screws included)
SSJWT4	SSJWT6	Tee-top (2 sets of gaskets and screws included)
SSJWE4	SSJWE6	End plate (1 set of gaskets and screws included)
SSJWA4	SSJWA6	Box adaptor (1 set of gaskets and screws included) (not UL listed)
—	SSJWRB64E	Reducer bushing 6.00" (152) to 4.00" (102) edge* (not UL listed)
—	SSJWRB64C	Reducer bushing 6.00" (152) to 4.00" (10) center* (not UL listed)
SSJWN446	SSJWN666	6.00" straight nipple fitting
SSJWFF4	SSJWFF6	Flexible fitting** (not UL listed)
SSJWD4	SSJWD6	Drop Hanger (not UL listed)
SSJWG44	SSJWG66	Gasket and Screws (not UL listed)
SSJWBH4	SSJWBH6	Bracket hanger (not UL listed)

\* All reducer bushings included gaskets and screws.

\*\* Minimum length 3", maximum length 8".

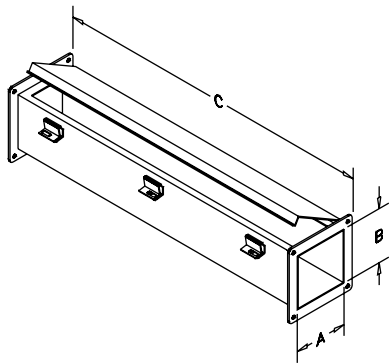


# SSJW SERIES NEMA 4X & 12 STAINLESS FEED-THROUGH WIREWAY & FITTINGS

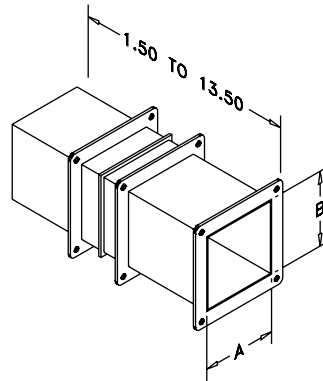
# H17

## SSJW SERIES WIREWAY & FITTINGS DIMENSIONS

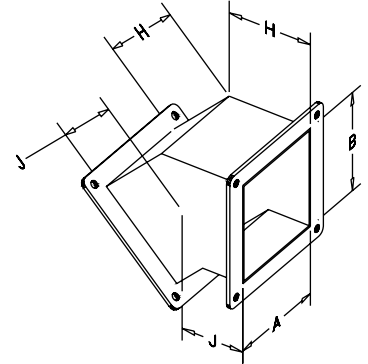
AxB	C - Length				D	E	F	G	H	J	K		
4.00x4.00 (102x102)	12.00 (305)	24.00 (610)	36.00 (914)	48.00 (1219)	60.00 (1524)	120.00 (3048)	5.38 (137)	5.38 (137)	7.00 (178)	10.00 (254)	3.25 (83)	2.44 (62)	5.00 (127)
6.00x6.00 (152x152)	12.00 (305)	24.00 (610)	36.00 (914)	48.00 (1219)	60.00 (1524)	120.00 (3048)	7.63 (194)	7.63 (194)	9.00 (229)	12.00 (305)	4.25 (108)	3.00 (76)	6.00 (152)



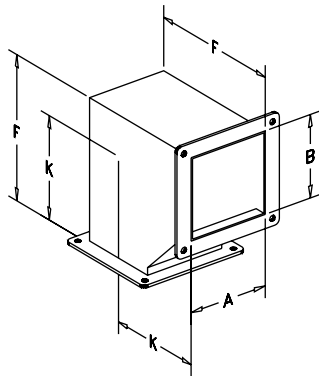
**Straight Section**



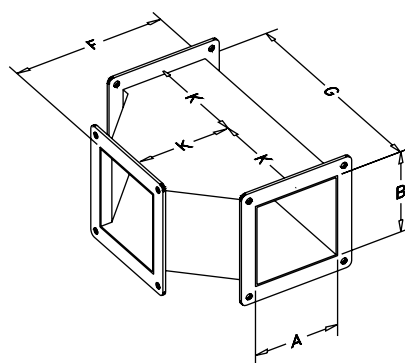
**Telescope Fitting**



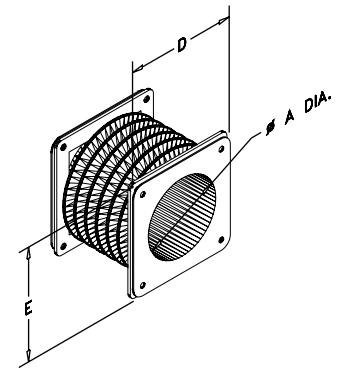
**45° Elbow**



**90° Elbow**



**Tee**



**Flexible Fitting**



RSCG060624

Industry Standards  
UL 870  
NEMA/EEMAC Type, 1 & 3R

 UL Files E32576

 CSA File LL66078

### FEATURES-SPECIFICATIONS

#### Applications

Designed to protect wiring in outdoor installations against rain, sleet and snow, or indoors against dripping water.

#### Construction

- Trough and cover are fabricated from carbon steel or pre-galvanized steel

- Drip shield prevents rain, snow or sleet from entering the enclosure
- Embossed mounting holes are conveniently located on the back
- A slip-on removable cover is securely fastened with screws located along the bottom edge
- Knockouts are provided on the bottom of the enclosure

#### Finish

- ANSI-61 gray polyester powder inside and out
- Unpainted pre-galvanized steel

#### Accessories

- See pages L1-L24

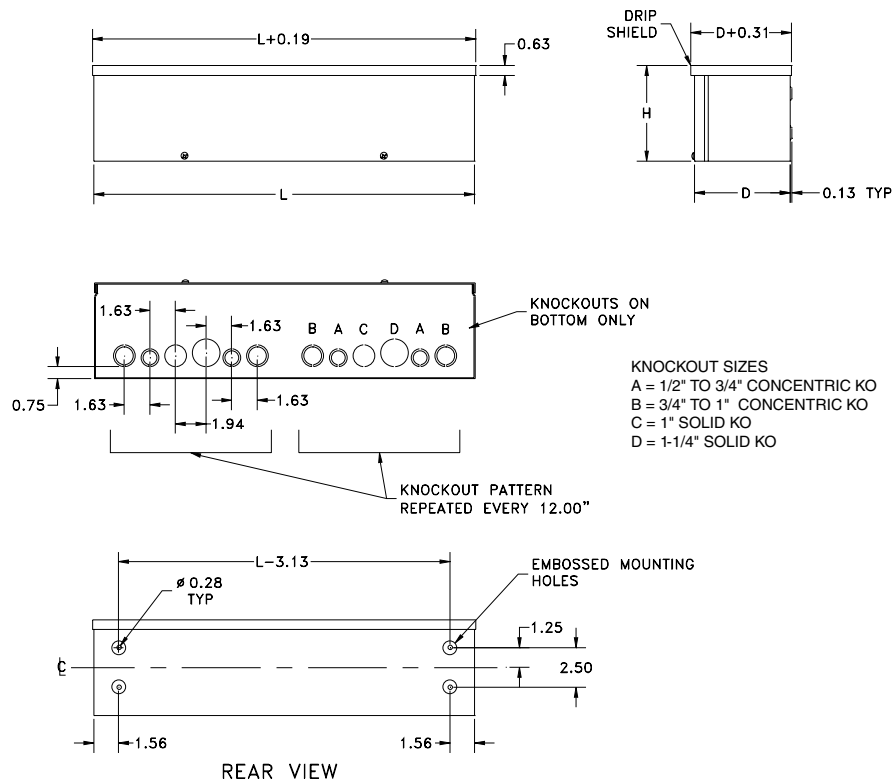
#### RSCG WALL-MOUNT WIRING TROUGH

Painted		Galvanized		Enclosure Size HxDxL	Knockout Pattern
With Knockouts	Without Knockouts	With Knockouts	Without Knockouts		
RSCG040412	RSCG040412NK	RSCG040412G	RSCG040412GNK	4.06x4.06x12.13 (103x103x308)	B-A-C-D-A-B repeated
RSCG040418	RSCG040418NK	RSCG040418G	RSCG040418GNK	4.06x4.06x18.13 (103x103x461)	B-A-C-D-A-B repeated
RSCG040424	RSCG040424NK	RSCG040424G	RSCG040424GNK	4.06x4.06x24.13 (103x103x613)	B-A-C-D-A-B repeated
RSCG040436	RSCG040436NK	RSCG040436G	RSCG040436GNK	4.06x4.06x36.13 (103x103x918)	B-A-C-D-A-B repeated
RSCG040448	RSCG040448NK	RSCG040448G	RSCG040448GNK	4.06x4.06x48.13 (103x103x1222)	B-A-C-D-A-B repeated
RSCG040460	RSCG040460NK	RSCG040460G	RSCG040460GNK	4.06x4.06x60.13 (103x103x1527)	B-A-C-D-A-B repeated
RSCG040472	RSCG040472NK	RSCG040472G	RSCG040472GNK	4.06x4.06x72.13 (103x103x1832)	B-A-C-D-A-B repeated
RSCG040496	RSCG040496NK	RSCG040496G	RSCG040496GNK	4.06x4.06x96.13 (103x103x2442)	B-A-C-D-A-B repeated
RSCG0404120	RSCG0404120NK	RSCG0404120G	RSCG0404120GNK	4.06x4.06x120.13 (103x103x3051)	B-A-C-D-A-B repeated
RSCG060612	RSCG060612NK	RSCG060612G	RSCG060612GNK	6.06x6.06x12.13 (154x154x308)	B-A-C-D-A-B repeated
RSCG060618	RSCG060618NK	RSCG060618G	RSCG060618GNK	6.06x6.06x18.13 (154x154x461)	B-A-C-D-A-B repeated
RSCG060624	RSCG060624NK	RSCG060624G	RSCG060624GNK	6.06x6.06x24.13 (154x154x613)	B-A-C-D-A-B repeated
RSCG060636	RSCG060636NK	RSCG060636G	RSCG060636GNK	6.06x6.06x36.13 (154x154x918)	B-A-C-D-A-B repeated
RSCG060648	RSCG060648NK	RSCG060648G	RSCG060648GNK	6.06x6.06x48.13 (154x154x1222)	B-A-C-D-A-B repeated
RSCG060660	RSCG060660NK	RSCG060660G	RSCG060660GNK	6.06x6.06x60.13 (154x154x1527)	B-A-C-D-A-B repeated
RSCG060672	RSCG060672NK	RSCG060672G	RSCG060672GNK	6.06x6.06x72.13 (154x154x1832)	B-A-C-D-A-B repeated
RSCG060696	RSCG060696NK	RSCG060696G	RSCG060696GNK	6.06x6.06x96.13 (154x154x2442)	B-A-C-D-A-B repeated
RSCG0606120	RSCG0606120NK	RSCG0606120G	RSCG0606120GNK	6.06x6.06x120.13 (154x154x3051)	B-A-C-D-A-B repeated
RSCG080812	RSCG080812NK	RSCG080812G	RSCG080812GNK	8.06x8.06x12.13 (154x154x308)	B-A-C-D-A-B repeated
RSCG080818	RSCG080818NK	RSCG080818G	RSCG080818GNK	8.06x8.06x18.13 (154x154x461)	B-A-C-D-A-B repeated
RSCG080824	RSCG080824NK	RSCG080824G	RSCG080824GNK	8.06x8.06x24.13 (205x205x613)	B-A-C-D-A-B repeated

continued on page H19

**RSCG WALL-MOUNT WIRING TROUGH CONT.**

Painted		Galvanized		Enclosure Size HxDxL	Knockout Pattern
With Knockouts	Without Knockouts	With Knockouts	Without Knockouts		
RSCG080836	RSCG080836NK	RSCG080836G	RSCG080836GNK	8.06x8.06x36.13 (205x205x914)	B-A-C-D-A-B repeated
RSCG080848	RSCG080848NK	RSCG080848G	RSCG080848GNK	8.06x8.06x48.13 (205x205x1219)	B-A-C-D-A-B repeated
RSCG080860	RSCG080860NK	RSCG080860G	RSCG080860GNK	8.06x8.06x60.13 (205x205x1524)	B-A-C-D-A-B repeated
RSCG080872	RSCG080872NK	RSCG080872G	RSCG080872GNK	8.06x8.06x72.13 (205x205x1828)	B-A-C-D-A-B repeated
RSCG080896	RSCG080896NK	RSCG080896G	RSCG080896GNK	8.06x8.06x96.13 (205x205x2442)	B-A-C-D-A-B repeated
RSCG0808120	RSCG0808120NK	RSCG0808120G	RSCG0808120GNK	8.06x8.06x120.13 (205x205x3051)	B-A-C-D-A-B repeated
RSCG101018	RSCG101018NK	RSCG101018G	RSCG101018GNK	10.06x10.06x18.13 (154x154x461)	B-A-C-D-A-B repeated
RSCG101024	RSCG101024NK	RSCG101024G	RSCG101024GNK	10.06x10.06x24.13 (205x205x613)	B-A-C-D-A-B repeated
RSCG101036	RSCG101036NK	RSCG101036G	RSCG101036GNK	10.06x10.06x36.13 (205x205x914)	B-A-C-D-A-B repeated
RSCG101048	RSCG101048NK	RSCG101048G	RSCG101048GNK	10.06x10.06x48.13 (205x205x1219)	B-A-C-D-A-B repeated
RSCG101060	RSCG101060NK	RSCG101060G	RSCG101060GNK	10.06x10.06x60.13 (205x205x1524)	B-A-C-D-A-B repeated
RSCG101072	RSCG101072NK	RSCG101072G	RSCG101072GNK	10.06x10.06x72.13 (205x205x1828)	B-A-C-D-A-B repeated
RSCG101096	RSCG101096NK	RSCG101096G	RSCG101096GNK	10.06x10.06x96.13 (205x205x2442)	B-A-C-D-A-B repeated
RSCG1010120	RSCG1010120NK	RSCG1010120G	RSCG1010120GNK	10.06x10.06x120.13 (205x205x3051)	B-A-C-D-A-B repeated
RSCG121218	RSCG121218NK	RSCG121218G	RSCG121218GNK	12.06x12.06x18.13 (154x154x461)	B-A-C-D-A-B repeated
RSCG121224	RSCG121224NK	RSCG121224G	RSCG121224GNK	12.06x12.06x24.13 (205x205x613)	B-A-C-D-A-B repeated
RSCG121236	RSCG121236NK	RSCG121236G	RSCG121236GNK	12.06x12.06x36.13 (205x205x914)	B-A-C-D-A-B repeated
RSCG121248	RSCG121248NK	RSCG121248G	RSCG121248GNK	12.06x12.06x48.13 (205x205x1219)	B-A-C-D-A-B repeated
RSCG121260	RSCG121260NK	RSCG121260G	RSCG121260GNK	12.06x12.06x60.13 (205x205x1524)	B-A-C-D-A-B repeated
RSCG121272	RSCG121272NK	RSCG121272G	RSCG121272GNK	12.06x12.06x72.13 (205x205x1828)	B-A-C-D-A-B repeated
RSCG121296	RSCG121296NK	RSCG121296G	RSCG121296GNK	12.06x12.06x96.13 (205x205x2442)	B-A-C-D-A-B repeated
RSCG1212120	RSCG1212120NK	RSCG1212120G	RSCG1212120GNK	12.06x12.06x120.13 (205x205x3051)	B-A-C-D-A-B repeated





T6624CH

### Industry Standards

UL 870  
NEMA Type 4, 12 & 13  
IEC 60528, IP66

UL Files E32576/E470978  
 CSA File LL66078

## FEATURES-SPECIFICATIONS

### Applications

Designed to protect wiring from dirt, dust, oil and water.

### Construction

- Trough and cover are fabricated from carbon steel

- Seams are continuously welded and ground smooth
- Oil resistant strip gasket is provided
- Trough comes complete with easy to operate external clamps and a continuous hinge
- External mounting feet are provided

### Finish

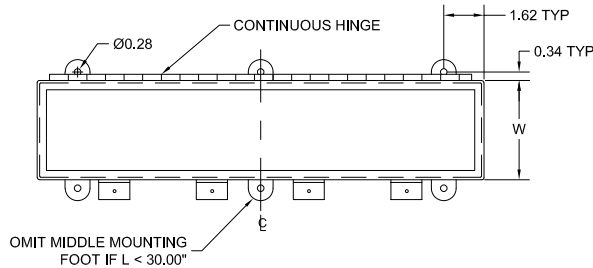
- ANSI-61 gray polyester powder inside and out

### Accessories

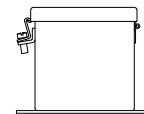
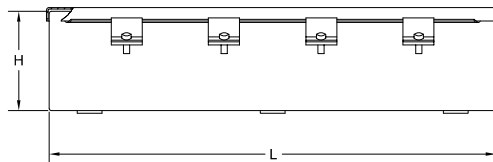
- See pages L1-L24

### T-CH SERIES JIC HINGED COVER WIRING TROUGH

Catalog Number					
2.50 x 2.50 (64 x 64)	4.00 x 4.00 (102 x 102)	6.00 x 6.00 (152 x 152)	8.00 x 8.00 (203 x 203)	12.00 x 12.00 (305 x 305)	Length
T2212CH	T4412CH	T6612CH	T8812CH	—	12.00 (305)
T2218CH	T4418CH	T6618CH	—	—	18.00 (457)
T2224CH	T4424CH	T6624CH	T8824CH	T121224CH	24.00 (610)
—	T4430CH	T6630CH	—	—	30.00 (762)
T2236CH	T4436CH	T6636CH	T8836CH	T121236CH	36.00 (914)
T2248CH	T4448CH	T6648CH	T8848CH	T121248CH	48.00 (1219)
T2260CH	T4460CH	T6660CH	T8860CH	T121260CH	60.00 (1524)
T2272CH	T4472CH	T6672CH	—	—	72.00 (1829)



TOP VIEW WITH COVER REMOVED



#### Notes:

- 2 clamps are used when L = 12.00" and 18.00".
- 3 clamps are used when L = 24.00" through 48.00".
- 4 clamps are used when L = 60.00" and 72.00".

# T-CHSS SERIES STAINLESS STEEL WIRING TROUGH

# H21



T4424CHSS

## Industry Standards

UL 870 Types 1, 12, 4, and 4X  
CSA Certified 1, 12, 4, and 4X  
IEC 60529, IP66

 UL Files E32576, E470978

 CSA File LL66078

## FEATURES-SPECIFICATIONS

### Applications

The Wiegmann T-CHSS Stainless Steel Wiring Trough is designed to protect internal components and wiring from dust, dirt, and water. This trough can be used indoors or outdoors as well as in corrosive environments.

### Construction

- Trough and cover are fabricated from 304 stainless steel
- Seams are continuously welded and ground smooth
- Easy to operate external clamps and continuous hinge are provided
- External mounting feet are included

- Cover is sealed with a poured in place gasket

### Finish

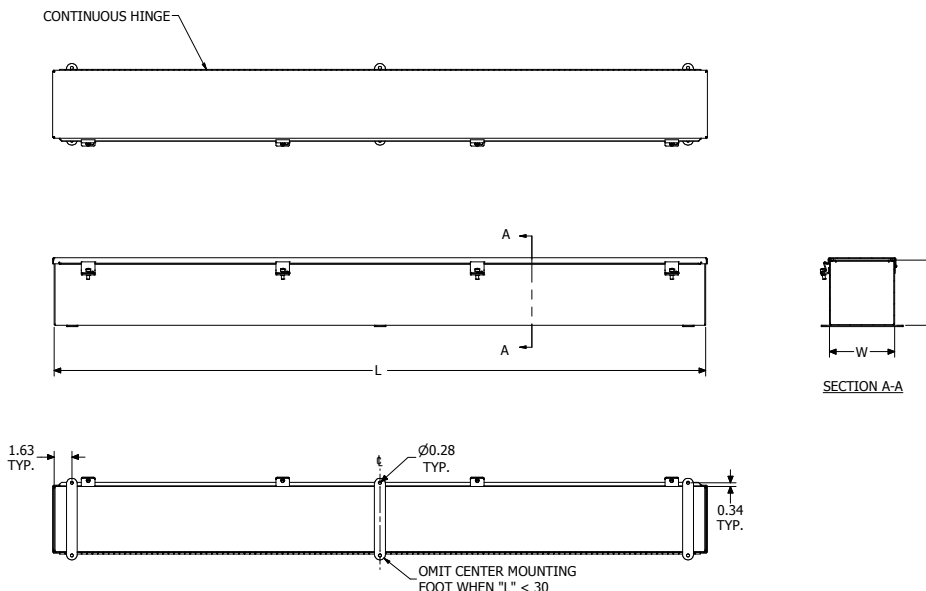
- Exterior surfaces of the enclosure have a smooth grained finish

### Accessories

- See pages L1-L24

### T-CHSS SERIES STAINLESS STEEL WIRING TROUGH

Catalog Number						Length
2.50 x 2.50 (64 x 64)	4.00 x 4.00 (102 x 102)	6.00 x 6.00 (152 x 152)	8.00 x 8.00 (203 x 203)	12.00 x 12.00 (305 x 305)		
T2212CHSS	T4412CHSS	T6612CHSS	T8812CHSS	—	12.00 (305)	
T2218CHSS	T4418CHSS	T6618CHSS	—	—	18.00 (457)	
T2224CHSS	T4424CHSS	T6624CHSS	T8824CHSS	T121224CHSS	24.00 (610)	
—	T4430CHSS	T6630CHSS	—	—	30.00 (762)	
T2236CHSS	T4436CHSS	T6636CHSS	T8836CHSS	T121236CHSS	36.00 (914)	
T2248CHSS	T4448CHSS	T6648CHSS	T8848CHSS	T121248CHSS	48.00 (1219)	
T2260CHSS	T4460CHSS	T6660CHSS	T8860CHSS	T121260CHSS	60.00 (1524)	
T2272CHSS	T4472CHSS	T6672CHSS	—	—	72.00 (1829)	



- Notes:
1. 2 clamps are used when L = 12.00" and 18.00".
  2. 3 clamps are used when L = 24.00" through 48.00".
  3. 4 clamps are used when L = 60.00" and 72.00".