

SECTION A



NEMA 1 ENCLOSURES

SC Series

NEMA 1 Screw-Cover Wall-Mount A2

A Series

NEMA 1 Hinged-Cover Wall-Mount..... A6

N1C Series

"Small" NEMA 1 Hinged Wall-Mount..... A8

"Medium" NEMA 1 Hinged Wall-Mount. A10

"Large" NEMA 1 Hinged Wall-Mount A12

SECTION B



NEMA 3R ENCLOSURES

RSC Series

NEMA 3R Screw-Cover Wall-Mount B2

RHC Series"Small" NEMA 3R Hinged-Cover
Wall-Mount B5"Medium" NEMA 3R Hinged-Cover
Wall-Mount B7**LOH Series**

NEMA 3R Hinged-Cover Wall-Mount B9

WCT Series

NEMA 3R Screw-Cover Wall-Mount B11

CT Series

NEMA 3R Single Door Hinged-Cover ... B13

NEMA 3R Double Door Hinged-Cover .. B14

SECTION C



NEMA 12 ENCLOSURES

B Series

NEMA 12 JIC Lift-Off Cover Wall-Mount . C2

B-CH SeriesNEMA 12 JIC Continuous Hinge
Wall-Mount C4**Large B-CH Series**NEMA 12 JIC Continuous Hinge
Wall-Mount C6**B-CHQR Series**NEMA 12 JIC Continuous Hinge
Quick-Release Wall-Mount C8**B-SC Series**

NEMA 12 JIC Screw-Cover Wall-Mount . C10

WA-GIE SeriesNEMA 12 JIC Hinged Screw-Cover
Wall-Mount C12**JIC Handy Series**

NEMA 12 JIC Screw-Cover Wall-Mount . C14

B-CHFTC Series

JIC Continuous Hinge Wall-Mount C15

N12 Series

NEMA 12 Single Door Wall-Mount C16

WA-WF Series

NEMA 12 Two Door Wall-Mount..... C19

WA-FM SeriesNEMA 12 Single Door Flush
Wall-Mount C21**N12 Series**

NEMA 12 Two Door Floor-Mount C23

WA-FS Series

NEMA 12 Single Door Freestanding C25

WA-FSD Series

NEMA 12 Two Door Freestanding C27

WA-FSDA SeriesNEMA 12 Single Door Dual Access
Freestanding C28**WA-FSDAD Series**NEMA 12 Two Door Dual Access
Freestanding C29**Freestanding Accessories** C30**WA-E Series**

NEMA 12 Multi-Door Freestanding .. C33-36

SECTION D

NEMA 4 ENCLOSURES



BN4 Series NEMA 4 JIC Lift-Off Cover Wall-Mount ... D2	N4 Series NEMA 4 Single Door Wall-Mount D20
BN4-CH Series NEMA 4 JIC Continuous Hinged Wall-Mount D4	N4D Series NEMA 4 Floor-Mount D22
Ultimate Mini-Max™ JIC Box Quarter-Turn Style..... D6	N4S-FS Series NEMA 4 Single Door Freestanding D24
WA-GSC Series NEMA 3 & 4 Screw-Cover Moisture Proof..... D8	N4D-3PT Series NEMA 4 Two Door Floor-Mount with 3PT Handle D26
N412-C ULTIMATE Series NEMA 4 & 12 Single Door Wall-Mount.. D10	WA-FSN43PT Series NEMA 4 Single Door Freestanding with 3PT Handle D28
N412-WC ULTIMATE Series NEMA 4 & 12 Single Door with Window Wall-Mount D13	WRD-FS4 Series Single Door Freestanding Heavy-Duty Removable Hinge..... D30
N412-3PTC ULTIMATE Series NEMA 4 Single Door with 3PT Handle D16	WRD-FS4D Series Double Door Freestanding Heavy-Duty Removable Hinge..... D32
N412-CST ULTIMATE Series NEMA 4 & 12 Slope-Top Single Door Wall-Mount D18	

SECTION E

STAINLESS STEEL/ALUMINUM ENCLOSURES



RSC-NKSS Series NEMA 3RX Screw-CoverE2	N412-SS3PTC ULTIMATE Series NEMA 4X Single Door Wall-MountE27
PBSS Series NEMA 4X, 12 & 13 (30.5mm) Pushbutton Wall-MountE4	N412-CSSST ULTIMATE Series NEMA 4X Slope-Top Single DoorE30
PBXD-SS Series NEMA 4X, 12 & 13 (30.5mm) Pushbutton Wall-MountE6	SSN4-WF3PT Series NEMA 4X Two Door Wall-MountE32
BN4-SS Series NEMA 4X JIC Clamp-Cover Wall-Mount ..E8	SSN4 Series NEMA 4X Single Door Wall-MountE34
BN4-CHSS Series NEMA 4X JIC Continuous Hinge Wall-MountE10	ALN4 Series NEMA 4X Single Door Wall-MountE36
BN4-CHTQSS/SSA Series NEMA 4X Continuous Hinge Quarter-Turn Wall-MountE12	SSN4-3PT Series NEMA 4X Single Door Wall-MountE38
BN4-AL Series NEMA 4X Lift-Off Cover Wall-MountE14	SSN4-3PTW Series NEMA 4X Painted White Single Door Wall-MountE40
BN4-CHAL Series NEMA 4X JIC Continuous Hinge Wall-MountE16	SSN4D Series NEMA 4X Two Door Floor-MountE42
WA-GSCSS Series NEMA 4X Lift-Off Cover Wall-MountE18	N4S-FSSS/FSSSA/FSDSS Series NEMA 4X Single Door Freestanding.....E44
WC-CSS Series NEMA 12 Consolet Single Door.....E20	SSN4D-3PT Series NEMA 4X Two Door Floor-MountE46
N412-SSC ULTIMATE Series NEMA 4X Single Door Wall-MountE22	WA-SSFSN43PT Series NEMA 4X Single Door Freestanding.....E48
N412-WSSC ULTIMATE Series NEMA 4X Single Door With Window Wall-Mount.....E25	WA-SSFSDN43PT Series NEMA 4X Two Door FreestandingE50
	WA-FSSS/FSDSS Series NEMA 12 Single and Two Door FreestandingE52

SECTION F
NON-METALLIC ENCLOSURES


Premier SC Series Opaque, Lift-Off Cover with Four Screws	F2	JIC CHSC Series Opaque/White, Hinged Cover with Two Screws	F21
Premier CHSC Series Opaque, Hinged Cover with Two Screws	F3	JIC CHQR Series Opaque/White, Hinged Cover with Pull Latches	F22
Premier CC-CHSC Series Clear, Hinged Cover with Two Screws	F4	JIC CHQRW Series Opaque, Hinged Cover with Pull Latches and Window	F23
Premier CHQR Series Opaque, Hinged Cover with Pull Latches With or Without Window	F5	JIC CHTL Series Opaque, Hinged Cover with Twist Latches . . With or Without Window	F24
Premier CC-CHQR Series Clear, Hinged Cover with Pull Latches	F6	JIC XD Series Opaque, Extended Depth with Pull Latches	F25
Premier CHTL Series Opaque/Clear, Hinged Cover with Link-Lock Latches	F7	JIC RHJ-SC Series Opaque, Raised Lift-Off Cover with Four Screws	F26
Classic SC Series Opaque, Lift-Off Cover with Four Screws	F9	JIC RHJ-CHSC Series Opaque, Raised Hinged Cover with Two Screws	F27
Classic CHSC Series Opaque, Hinged Cover with Two Screws	F10	JIC RHJ-CHQR Series Opaque, Raised Hinged Cover with Pull Latches, With or Without Window	F28
Classic CHQR Series Opaque, Hinged Cover with Pull Latches	F11	JIC RHJ-CHTL Series Opaque, Raised Hinged Cover with Twist Latches, With or Without Window	F29
Classic CHQTD Series Opaque, Hinged Cover with Quarter-Turn Latch	F12	JIC 3PT Series Opaque, Hinged Cover with 3-Point Latch	F30
Polycarbonate CHQR Series Opaque/Clear, Hinged Cover with Pull Latches	F13	JIC D-SC Series Opaque, Shallow Depth Flush Screw Cover	F31
Polycarbonate Pushbutton Series 22MM, 30MM, or Blank Screw Cover	F14	NEMA 3R Control Series Opaque, Hinged Cover with Twist-Lock Latches	F33
Slim Line N4X Series Opaque, Junction Box with Lift-Off Cover	F15	NEMA 4X Control Series Opaque, Hinged Cover with Twist-Lock Latches, With or Without Window	F35
Slim Line SC Series Opaque, Junction Box with Four Screw Cover	F16	NEMA 4X Control Series Opaque, Single Hinged Door with Twist-Lock Latches	F37
In-Line N4X Pushbutton Series 30MM Pushbutton with Lift-Off Cover	F17	Subpanels for Premier, Classic, and JIC Non-Metallic Enclosures	F39-F40
In-Line N4X Pushbutton Series 22MM Pushbutton with Lift-Off Cover	F18	Subpanels for Control Series Non-Metallic Enclosures	F41
In-Line N4X Multi-Hole Pushbutton Series 30MM Pushbutton with Lift-Off Cover	F19	Accessories for Non-Metallic Enclosures	F42-F44
JIC SC Series Opaque, Lift-Off Cover with Four Screws	F20	Accessories for Polycarbonate Enclosures	F45

SECTION G

DISCONNECTS

**SDN12 Series**

NEMA 12 Flanged Single Door Disconnects G3

N412CD, N412CDSS, N412CDSSA Series

ULTIMATE Flanged Single Door Disconnects G6

N412CSTD, N412CSSSTD Series

ULTIMATE Slope-Top Flanged Single Door Disconnects G8

SN4 Series

NEMA 4 Flanged Single Door Disconnects G10

SSN4X Series

NEMA 4 Flanged Single Door Disconnects G12

ABN12 Series (1494F & 1494D)

NEMA 12 Flanged Single Door Disconnects G23

WAX-U & WACPX-U Series

NEMA 12 Floor-Mount Disconnects G27

WAXM-U Series (1, 2, 3, 4, 5 Door)

NEMA 12 Heavy-Duty Freestanding Disconnects G31

WMOD Series

NEMA 12 Modular Freestanding Disconnects G39

WAX-SSN4, WACPX-SSN4 Series

NEMA 4X Floor-Mount Disconnects G44

WAXM-SSN4 Series

NEMA 4X Freestanding Single & Double Door Disconnects G47

NEMA 12 Adapter Plates G60

SECTION H

WIREWAYS & FITTINGS

**HS/S Series**

NEMA 1 Hinge Cover/Screw cover Wireway H2

LJW Series

NEMA 12 Lay-In Wireway H8

JW Series

NEMA 12 Feed-Through Wireway H12

SSJW Series

NEMA 12 Stainless Feed-Through Wireway H16

RSCG Series

NEMA 3R Wiring Trough H18

T-CH Series

NEMA 12 Hinge-Cover Wiring Trough H20

T-CHSS Series

NEMA 4X Hinge-Cover Wiring Trough H20

SECTION I

OPERATOR INTERFACE

**W1C Series**

NEMA 12 Consoles I2

WC9 Series

NEMA 12 Consoles I4

WC10 Series

NEMA 12 Consoles I6

WC12 Series

NEMA 12 Consoles I8

WC14 Series

NEMA 12 Consoles I10

WC-C Series

NEMA 12 Consolets I12

CCOL & Base Series

NEMA 12 Pedestals I14

WPBA Series

NEMA 12 Sloping Pushbutton I16

PB Series

NEMA 4 & 12 30.5mm Pushbutton I18

PBGX Series

NEMA 12 22.5mm Pushbutton I20

PBXD Series

NEMA 4 & 12 30.5mm Pushbutton I22

PSL Series

NEMA 12 30.5mm Pushbutton I24

PBYX Series

NEMA 12 30.5mm Pushbutton I26

SECTION J



DRIVE ENCLOSURES

DN412 Series
Flanged and Surface Type Enclosures..... J6

DFNP, NP, DF Series
"L" Shaped Back Panel, Standard Back Panel, Allen Bradley Drive Plates & Blank Plates J7

DSNF and DTSF Series
Schneider and Toshiba Drive Plates..... J8

D Series
AC and Heat Exchanger Plates J9

DFNCVP, D3R, DHMIN, DWHD DWA and DWTTUP Series
Drive Fan, Filter & Louver plate, Door HMI Plate, Weather Hood, Blank Adapter & Touch up paint J10

SECTION K



BACK PANELS

P, PG, PSS, PAL Series
Panels for JIC Enclosures K2

N1P, N1PPP Series
Panels (Solid & Perforated) for Small NIC & RHC Enclosures K3

NP, NPG, NPSS, ALNP, NPPP Series
Panels (Solid & Perforated) for NEMA 1, 3R, 12, 4 & 4X Wall-Mounts K4

NPC, NPCG, NPSSC Series
Panels for ULTIMATE Enclosures K5

N1P, N1PPP Series
Panels for NIC & RHC Enclosures K6

NPDD, NPDDG Series
Panels (Solid & Perforated) for Double Door Floor-Mount Enclosures K7

WA-F1/F2 Series
Panels for Single Door Freestanding Enclosures K8

WA-F1/F2 Series
Panels for Two Door Freestanding Enclosures K9

WASP-F3/F4 Series
Swing-Out Panels for Freestanding Enclosures K10

WA-SMP Series
Side-Mount Panels for Freestanding Enclosures K11

WA-SOF Series
Swing-Out Racks for Freestanding Enclosures K12

WA-SOF Series Rack Angles
Accessory Rack Components for Freestanding Enclosures K13

SECTION L



ACCESSORIES

General

JIC & NEMA Swing-out Panel Kits L2

Print Pocket L3

Door Stop Kit L3

Folding Shelf L3

Drip Shields L4

Hole Seals L4

Window Kits L5

Deep Hinged Window Kits L6

Pole Mount Kit L7

Mounting Feet L8

Strip Gasket L8

Touch-up Paint L8

Electrical Interlocks L9

Grounding Kit L9

Interlock Defeater L9

Terminal Kit Assemblies, Blocks and Straps L10-L11

Floor Stand Kit L12

Panel Supports L13

Stabilizers L13

Casters L13

Relay Rack Angle Kit L14

Adapter Plates L14

Locks • Latches • Clip Nut L15-L18

Clamp Assemblies L18

Lighting L19-L20

Vapor, Desiccant Packets L21

ULTIMATE Series Accessories L22-L24

SECTION M**ENVIRONMENTAL CONTROL**

General Information/Sizing	M2-M3	RH/RHPC Series Radiant Heaters	M26
Guardian/Guardian X Series		WHVL Series Fan Heaters	M27
Air Conditioners	M4	FH Series Fan Heaters	M28-30
SlimKool Series		TAN/TTA/TCT Series Thermostats.....	M31
Air Conditioners	M13	Thermostats/Humidistats/	
Micro-Mini Series		Hygrostats	M32
Air Conditioners	M17	STFX Series	
Compact Top Mount Series		Universal Thermostat Mount	M33
Air Conditioners		WAFMP Series	
Vortex Coolers	M19	Fan Mounting Plate Kit	M34
FBF Series		FF Series Filter Fans	
Filtered Box Fans & Grilles	M21-22	Filter Fan/Exhaust Filter/Mats.....	M35-36
WAAXFN/WAGARD Series		FF Series Filterfans.....	M37-39
Muffin Fans & Finger Guards.....	M23	FFA Series Exhaust Grilles & Filter	M40
WAVK/WAFLT Series			
Louver Plate & Filter Kits	M24		

SECTION N**TECHNICAL INFORMATION**

Enclosure Technical Data	N2	Environmental Control	
Special Quotations		Technical Data	N10
Technical Data	N9	Enclosure Alterations/	
		Recommendations	N16

SECTION O**NUMERIC INDEX**

Enclosure Numeric Index	O1-O26
--------------------------------------	--------

Today's market segments like wastewater, food processing, petrochemical, green-focussed breweries and mining to name just a few, demand the very best in protection. Wiegmann designs enclosures in accordance to UL/NEMA/CSA standards and builds them to last.

Whether in 304 Stainless, 316L Stainless, Aluminum or Non-Metallic, Wiegmann uses only the best materials to help meet your performance needs - even in the most demanding environments.

One of the largest standard, custom, and modified product offerings available.

Market segments include:

- Petrochemical
- Mining
- Pulp & Paper Processing
- Food
- Wastewater Treatment
- Steel Mills
- Breweries
- Power Plants
- Conveyors
- Automation
- Machine Tooling
- Automotive
- Original Equipment Manufacturers
- Commercial/Contractor



Position and Protection at your command!

NEMA 4X
 NEMA 4
 NEMA 12
 NEMA 13
 NEMA 3R
 NEMA 1
 IP66

NATIONALLY RECOGNIZED



Today, the Hubbell-Wiegmann name has become synonymous with traditional NEMA enclosures, JIC enclosures, Non-Metallic enclosures, Stainless enclosures, Aluminum enclosures and Wireway systems. With over 7,000 different standard products in stock, Wiegmann has one of the most complete Industrial/Commercial enclosure packages in North America.

- A subsidiary of Hubbell, Inc., a diversified global manufacturer, with over 12,000 employees in nine countries.
- Automated tier one enclosure manufacturer.

WIEGMANN® ADVANTAGES



- 89 years of extensive experience in manufacturing electrical enclosures for the OEM, Commercial Contractor, and MRO markets
- HUBBELL® Owned/Driven
- Aggressive Marketing Programs and Competitive Pricing
- Full product line...7,000 SKUs
- “KING of Specials” with a long history of OEM support
- Service Driven “small core group of direct decision makers”
- Distribution loyalty
- Regional and local availability
- Specialists in extreme/corrosive environmental protection, “304 SS, 316L SS and Non-Metallic applications”
- Tier One Quality

THERMAL MANAGEMENT SOLUTIONS

Wiegmann® has always recognized that our customers in the electrical and electronic marketplace need reliable, high quality enclosures and environmental control products to meet their protection requirements. Such requirements today not only mandate NEMA Type 12, 3R, 4 & 4X, but also require a broad mix of BTU & size selections.

Wiegmann is proud to offer those choices via a whole new line of A/C products. They are: Guardian/Guardian X Series, SlimKool Series, Micro-Mini Series, Top Mount Series and Vortex Cooler® A/C Series.



Guardian X Series - NEMA 4/4X Guardian Series - NEMA 3R SlimKool, Micro-Mini, Top Mount Series - NEMA

- Side/top mount
- 1,000 to 26,000 BTUs
- M/Tab template installation
- Closed loop
- CFC-Free refrigerant
- EMI/RFI suppressor
- Reversible condenser blower outlet
- 115/230/480 volt options

MODIFIED STANDARDS & SPECIALS

Wiegmann® provides a wide range of materials including carbon steel, galvanized, stainless, aluminum and painted. Over 200 special colors “in Polyester Powder” are available.

Wiegmann’s long history of O.E.M. support stems from the cornerstone “SPECIALS” that founded our business. Whether the application requires punching, tapping, studs, channel iron, sub floors, weather hoods or non-standard materials and sizes, Wiegmann® delivers.



Why is Wiegmann® the KING OF SPECIALS?...

- Cost effective manufacturing technologies
- Number one in high volume turn around times
- Dimensional changes don't affect our flexible manufacturing lines
- Select from over 200 standard RAL colors
- Specify special studs, pems, latches, holes, cut-outs, barriers, windows and more
- Over 89 years of enclosure experience
- Assisted O.E.M./Customer modified designs

INTRODUCTION - PRODUCT SELECTION GUIDE



STAINLESS STEEL						
Numbers in () represent total part numbers available within family						
PRODUCT LINE	ULTIMATE SERIES SERIES	N4 WALL-MOUNT SERIES	3PT WALL-MOUNT SERIES	JIC SERIES	FREESTANDING SS SERIES	FLOOR MOUNT SS SERIES
	N412SSC (52), N412WSSC (21) N412CSSST (18) N412CSSSTD (5) N412SS3PT (26) N412SSA3PT (26)	SSN4 (76), ALN4 (16), SSN4X (9)	SSN43PT (13), SSN43PTA (13) SSN4WF3PT (12)	BN4SS (8), BN4CHSS (16), BN4CHAL (6), BN4CHQTSS (14), BN4CHQTSSA (14)	SSFSN43PT (14), SSFSDN43PT (12) N4SFSSS (3)	SSN4D (5), SSN4D3PT (6)
Size Ranges	12x12x6 to 60x36x12	16x12x6 to 60x36x16	24x20x6 to 36x36x12	4x4x3 to 16x14x6	60x24x18 to 90x72x36	62x48x10 to 74x72x24
Key Features	<ul style="list-style-type: none"> Aesthetic, attractive, sleek design. Accessory driven product line. Larger Sub Panel foot prints (sub panels are optional). Larger tub openings. 	<ul style="list-style-type: none"> Rugged workhorse. Clamps on three sides of door provides for an excellent seal. Padlocking provision. 	<ul style="list-style-type: none"> Rugged workhorse. Simple 3pt latching access. 	<ul style="list-style-type: none"> Single door junction boxes. Hinge cover. Lift off cover. 	<ul style="list-style-type: none"> Versatile NEMA 4X Freestanding. Simple 3pt latching access. Single door. 	<ul style="list-style-type: none"> Floor mounted N4X. Simple 3pt latching or clamp options.
Standard Features	<ul style="list-style-type: none"> Available in 304 or 316L SS Plasma welded seams Removable & interchangeable doors Print Pocket Solid or Plexiglass doors FIP gasket 1/4 turn latches Rear mounting holes 20 Degree sloped top on ST series Smooth #4 pregrained finish. 	<ul style="list-style-type: none"> Available in 304 or 316L SS Available in .080 aluminum Seam welded design Continuous hinge Print Pocket Clamps three sides FIP gasket Hasp & staple (padlocking) External mtg feet top & bottom Optional sub panels Smooth #4 pregrained finish. 	<ul style="list-style-type: none"> Available in 304 or 316L SS Seam welded design Continuous hinge Print Pocket 3pt latching handle FIP gasket External mtg feet top & bottom Optional sub panels Smooth #4 pregrained finish. 	<ul style="list-style-type: none"> Available in 304 or 316L SS Seam welded design Continuous or lift off hinge Clamp secured lid FIP gasket External mtg feet top & bottom Optional sub panels Smooth #4 pregrained finish. 	<ul style="list-style-type: none"> Available in 304 or 316L SS Seam welded design Continuous hinge Print Pocket 3pt latching handle FIP gasket Optional sub panels Lifting eyes Smooth #4 pregrained finish. 	<ul style="list-style-type: none"> Available in 304 or 316L SS Welded 12" high leg kits Seam welded design Continuous hinge Print Pocket 3pt latching handle FIP gasket Optional sub panels Lifting eyes Smooth #4 pregrained finish.
Ratings	NEMA Type 3R, 4, 4X, 12, 13 UL & CSA, IP66	NEMA Type 3R, 4, 4X, 12, 13 UL & CSA, IP66	NEMA Type 3R, 4, 4X, 12, UL Pending	NEMA Type 3R, 4, 4X, 12, UL & CSA, IP66	NEMA Type 3R, 4, 4X, 12, 13 UL	NEMA Type 3R, 4, 4X, 12, UL



MILD STEEL - NEMA 4 - ANSI 61						
Numbers in () represent total part numbers available within family						
PRODUCT LINE	ULTIMATE SERIES	WALL-MOUNT SERIES	3PT WALL-MOUNT SERIES	JIC SERIES	FREESTANDING SERIES	FLOOR MOUNT SERIES
	N412C (46), N412WC (27) N412CST (25)	N4 (40)	N43PT (40) N4123PTC (44)	BN4 (8) BN4CH (10) BN4CHQT (14)	FSN43PT (14), FSDN43PT (12) N4SFS (3), WRDFS4 (14), WRDFSD4 (12)	N4D (5), N4D3PT (6)
Size Ranges	12x12x6 to 60x36x12	16x12x6 to 60x36x16	24x20x6 to 36x36x12	4x4x3 to 16x14x6	60x24x18 to 72x37x24	62x48x10 to 74x72x24
Key Features	<ul style="list-style-type: none"> Aesthetic, attractive, sleek design. Accessory driven product line. Larger Sub Panel foot prints (sub panels are optional). Larger tub openings. 	<ul style="list-style-type: none"> Rugged workhorse. Clamps on three sides of door provides for an excellent seal. Padlocking provision. 	<ul style="list-style-type: none"> Rugged workhorse. Simple 3pt latching access. 	<ul style="list-style-type: none"> Single door junction boxes. Hinge cover. Lift off cover. 	<ul style="list-style-type: none"> Versatile NEMA 4X Freestanding. Simple 3pt latching access. Single door. 	
Standard Features	<ul style="list-style-type: none"> Concealed hinges Plasma welded seams Removable & interchangeable doors Print Pocket Solid or Plexiglass doors FIP gasket 1/4 turn latches Rear mounting holes 20 Degree sloped top on ST series ANSI 61 polyester powder. 	<ul style="list-style-type: none"> Seam welded design Continuous hinge Print Pocket Clamps three sides FIP gasket Hasp & staple (padlocking) External mtg feet top & bottom Optional sub panels ANSI 61 polyester powder. 	<ul style="list-style-type: none"> Seam welded design Continuous hinge Print Pocket 3pt latching handle FIP gasket External mtg feet top & bottom Optional sub panels ANSI 61 polyester powder. 	<ul style="list-style-type: none"> Seam welded design Continuous or lift off hinge Clamp secured lid FIP gasket External mtg feet top & bottom Optional sub panels ANSI 61 polyester powder. 	<ul style="list-style-type: none"> Seam welded design Continuous hinge Print Pocket 3pt latching handle FIP gasket Optional sub panels Lifting eyes ANSI 61 polyester powder. 	<ul style="list-style-type: none"> Welded 12" high leg kits Seam welded design Continuous hinge Print Pocket 3pt latching handle FIP gasket Optional sub panels Lifting eyes ANSI 61 polyester powder.
Ratings	NEMA Type 3R, 4, 4X, 12, 13 UL & CSA, IP66	NEMA Type 3R, 4, 4X, 12, 13 UL & CSA	NEMA Type 3R, 4, 4X, 12, UL, UL Pending on N43PT	NEMA Type 3R, 4, 4X, 12, 13 UL & CSA, IP66	NEMA Type 3R, 4, 4X, 12, 13 UL, IP66	NEMA Type 3R, 4, 4X, 12, 13 UL

INTRODUCTION - PRODUCT SELECTION GUIDE



MILD STEEL - NEMA 12 - ANSI 61 POLYESTER POWDER						
Numbers in () represent total part numbers available within family						
PRODUCT LINE	JIC SERIES SERIES	N12 WALL-MOUNT SERIES	DISCONNECT WALL-MOUNT SERIES	FLOOR MOUNT SERIES	FREESTANDING SERIES	MULTI-DOOR SERIES
	B (14), BCH (22), BCHS (4), BSC (16), WAGIE (11), JIC (3), TCH (32), BCHL (20) BQHQR (7)	N12 (85), WAWF (12), WAFM (5)	SDN12 (32), SDN12PL (31), ABN12 (11), N412CSTD (8), N412CSSSTD (5)	N12 (21)	WAFS (14), WAFSD (12), WAFSDA (8), WAFSDAD (5)	WAME (6)
Size Ranges	4 x 4 x 3 to 16 x 14 x 10	16 x 12 x 6 to 72 x 30 x 16	20 x 21 x 8 to 60 x 38 x 16	54 x 42 x 8 to 72 x 72 x 24	60 x 24 x 18 to 90 x 72 x 36	86 x 112 x 14 to 86 x 187 x 20
Key Features	• Variety of cover options .	• Rugged workhorse. • Single or two door options Clamps (single door) • 3pt handle (two door)	• Disconnects designed to accept most major handle offerings	• Large two-door • Industrial floor mounts • Overlapping doors • 3pt keylocking handle • Single & dual access	• Large two-door • Industrial freestanding • Overlapping doors • 3pt keylocking handle	• Heavy duty multi-door 3, 4 & 5 door options
Standard Features	• Single door junction enclosures • Lift off cover • Continuous hinge • Screw cover • Quick release • Seam welded construction • External mtg feet top & bottom • Optional sub panels • SS hinge pin • ANSI 61 polyester powder	• Single door (clamps, hasp & staple) • Two door (3pt keylocking handle) • Continuous hinge • SS hinge pin • External mtg feet top & bottom • FIP gasket • Hasp & staple (padlocking) • External mtg feet top & bottom • Seam welded construction • Optional sub panel • FIP (single door) • Print pocket • ANSI 61 polyester powder	• Single door • Continuous hinge • SS hinge pin • External mtg feet top & bottom • Optional sub panel • FIP (single door) • Print pocket • ANSI 61 polyester powder	• 3pt keylocking handles • Two door-overlapping • Seam welded construction • 12" floor stands • Lifting eyes • Continuous hinge • Print pocket • Collar studs for Optional • Sub panels • ANSI 61 polyester powder	• 3pt keylocking handles • Single and two door access • Seam welded construction • Lifting eyes • Continuous hinge • Collar studs for Optional • Sub panels • ANSI 61 polyester powder	• 3pt padlocking handles • Seam welded construction • Heavy duty continuous hinges • Lifting eyes • Light mtg channels • Print pocket • Sub panels installed • ANSI 61 polyester powder
Ratings	NEMA Type 12, 13 UL & CSA	NEMA Type 12, 13 UL & CSA	NEMA Type 4, 4X, 12, 13 UL & CSA	NEMA Type 12, 13 UL & CSA	NEMA Type 12, 13 UL & CSA	NEMA Type 12, 13 UL & CSA



MILD/GALVANIZED STEEL - NEMA 1/3R - COMMERCIAL CONTRACTOR						
Numbers in () represent total part numbers available within family						
PRODUCT LINE	SC & A SERIES	N1C SERIES	RSC-RHC-LOH SERIES	WCT-CTSD-DTDD SERIES	WAGSC SERIES	WIREWAY SERIES
	SC (63), SCNK (72), SCG (59), SCGNK (72), ACAB (31)	N1CS (19), N1CLP (27), N1CL(6)	RSC (44), RSCG (44), RHCS (7), RHCM (17), LOH (10)	WCT (5), CTSD (8), CTDD (11)	WAGSC (22), WAGSCG (22)	RSCG (17), RSCGG (17), RSCGNK (17), RSCGNK (17), S (28), SNK (42), HS (28), HSNK (35)
Size Ranges	4 x 4 x 4 to 24 x 36 x 12	6 x 6 x 4 to 48 x 37 x 17	4 x 4 x 4 to 60 x 16 x 12	24 x 24 x 12 to 48 x 48 x 16	8 x 6 x 4 to 36 x 36 x 12	2 1/2" SQ TO 12" SQ
Key Features	• W/KO, NO/KO options • Carbon or Galvanized options • Painted or Galvanized ACAB=NOKO/Hinge cover	• N1C's available in three different configurations: small, medium Clamps (single door) and large	• Three available configurations: Screw Cover (reversible), Hinge Cover (continuous), and Lift Off	• Two lid configurations: Screw Cover and Hinge Cover (single/double door)	• Seam Welded Screw Cover • Available in Galv (no paint), and C/S (ANSI 61 polyester powder)	• Wireway available in Screw Cover and Hinge Cover • RSCG trough offered with closed ends and lift off cover
Standard Features	• Flat removable covers • Wall-mounting holes • With or without KO's • Shrink wrapped • Painted = ANSI 61 Polyester Powder • Unpainted = Galvanized steel ACAB = Hinge cover/noko/ANSI 61 only	• Continuous or butt hinge versions • N1CS & N1CLP: w/rear mtg holes • N1CL: mtg feet top & bottom • With 1/4 turn latches • With sub panel mtg provisions (sub panels optional) • Grounding provisions • ANSI 61 Polyester powder	• RSC/RHC With KO's • Drip hoods • Padlocking provisions • (RSC/RHC) w/wall-mounting provisions (sub panels optional) • Grounding provisions • ANSI 61 polyester powder (LOH) Wall mtg & sub panel provisions optional (RSC) also available in galv only	• Single or two door options • N3R drip lip or hood • Padlocking/meter seal provisions • CTSD/CTDD with sub panel mtg provisions (panels optional) • Grounding provisions • CTSD/CTDD have lift off hinges • ANSI 61 Polyester powder	• Gasketed screw cover • Seam welded tub • With captive rivnuts • Grounding provisions • GALV no pain • Carbon steel painted ANSI 61 Polyester powder Painted = ANSI 61 Polyester powder Unpainted = galvanized steel	• Screw cover available in NO/KO, c/s painted, or galv no paint • Hinge cover available in NO/KO or W/KO (painted only) • RSCG is no intended for wireway (designed for btm conduit entry only) • S & HS wireway is also complimented by a very deep fittings line (elbows, tees, ends, panel adapter, etc.) Painted = ANSI 61 Polyester powder
Ratings	NEMA Type 1 UL & CSA	NEMA Type 1 UL & CSA	NEMA Type 1, 3R UL & CSA	NEMA Type 12, 13 UL & CSA	NEMA Type 1, 3R, 4 UL & CSA	NEMA Type 1 RSCG = Type 3R UL & CSA

INTRODUCTION - PRODUCT SELECTION GUIDE



NON-METALLIC/DISCONNECTS		
Numbers in () represent total part numbers available within family		
PRODUCT	NON-METALLIC	LARGE DISCONNECTS
		WAX-U (6), WACPX-U (6), WAXM-U (13), WAXM3EW (6), WMODX (6)
Size Ranges	6 X 6 X 4 to 90 x 72 x 36	60 x 49 x 12 to 90 x 196 x 18
Key Features	<ul style="list-style-type: none"> Fiberglass Reinforced Polyester Excellent chemical and corrosion resistance Multiple cover configurations Screw Cover CH-SC CH-QR CH-TLW CH-QRW CH-TL 	<ul style="list-style-type: none"> Floor mounted on 15" H legs (2 door) Free standing (single or double door) Multi-door (2, 3, 4 or 5 door)
Standard Features	<ul style="list-style-type: none"> Fiberglass Reinforced Polyester FIP polyurethane gasket Stainless steel hardware Raised brass inserts for mtg Optional sub panels Full 180 degree door opening Optional opaque or clear covers Optional mtg foot kits UV resistant Non-flame propagating Temperature range: -76F to 274F Finish: Gray 	<ul style="list-style-type: none"> 10 gauge Seam welded Continuous hinge 3 pt padlocking vault handles Lifting eyes Light mounting channels Print pocket ANSI 61 <p>On WAX-U and WACPX-U, customer must order sub panels separately.</p>
Ratings	NEMA, UL/cUL & CSA Type 1, 3, 3S, 12, 13, 4X UL & CSA	NEMA Type 12 UL & CSA



PUSHBUTTONS/WIREWAY/CONSOLES			
Numbers in () represent total part numbers available within family			
PRODUCT	PUSHBUTTONS/CONSOLETS	JW, LJW, C/S & SS WIREWAY	CONSOLES
	W1C (5), WC10 (3), WC12 (6), WC1248 (3), WC14B (13), WC1448 (10), WC9 (2), PB (14), PBBC (14), PBGX (9), PBXD (13), PBXY (10), PSL (4), WPBA (16), WCC (16), WCCSS (16)	JW (24), SSJW (12), LJW (30) WC1448 (10), WC9 (2)	W1C (5), WC10 (3), WC12 (6), WC1248 (3), WC14B (13),
Size Ranges	PB's available from 1 to 42 hole	2" sq to 6 x 12 sq.	40 x 24 x 20 to 50 x 60 x 23
Key Features	<ul style="list-style-type: none"> Pushbutton: 22.5 or 30.5 MM options 	<ul style="list-style-type: none"> Pull through Wireway Lay-in Wireway Multiple accessory options 	<ul style="list-style-type: none"> Consoles: Tub/Writing Desk/Top configurations
Standard Features	<ul style="list-style-type: none"> Seam welded construction External mtg feet Captivated cover screws/rivnuts Std 4-way pb holes Grounding provisions Closed cell neoprene gasket ANSI 61 Polyester Powder 	<ul style="list-style-type: none"> Seam welded construction Hinged covers for quick access LAY-IN or PULL through options Seam welded end flanges Closed cell neoprene gasket Butt hinges Quick release latches on (LJW series) Screw clamp latches on (JW series) ANSI 61 Polyester Powder (LJW/JW) SSJW = grained stainless steel 	<ul style="list-style-type: none"> Multi-optional Tub/Writing Desk/Top configurations Seam welded construction 3pt keylocking handles Continuous hinges, door stops, print pockets Optional sub panels
Ratings	NEMA Type 12, 13 UL/CSA	NEMA Type 12, NEMA 4X Pending UL/CSA	NEMA Type 12, 13 UL/CSA

Section A Index

SC Series

NEMA 1 Screw-Cover Wall-Mount A2

A Series

NEMA 1 Hinged-Cover Wall-Mount..... A6

N1C Series"Small" NEMA 1 Hinged-Cover
Wall-Mount A8"Medium" NEMA 1 Hinged-Cover
Wall-Mount A10"Large" NEMA 1 Hinged-Cover
Wall-Mount A12

NEMA 1 ENCLOSURES



**SC SERIES ENCLOSURES
NEMA 1 SCREW-COVER WALL-MOUNT**



SC060604
with SCF cover



SC080806G



SC080806NK

Industry Standards

UL 50, Type 1
CSA Certified, Type 1 (See Note)
NEMA/EEMAC Type 1

UL Files E23553

CSA File LL66078

FEATURES-SPECIFICATIONS

Applications

Designed for use as a junction box or pull box in commercial and general industrial applications. Flush covers must be ordered separately for flush-mount applications.

Construction

- Doors and covers are fabricated from carbon steel or pre-galvanized steel (reference table)
- Flat, removable covers fastened with plated steel screws

- Cover design permits easy removal without extracting cover screws
- Mounting holes on the back of the enclosure
- Available with or without knockouts. Removable concentric knockouts on all four sides of standard enclosures with knockouts

Finish

- ANSI-61 gray polyester powder inside and out
- Unpainted pre-galvanized steel

Optional Flush Covers

Designed to mount on enclosure for flush installations. (See page A5)

- ANSI 61 gray polyester powder finish.
- Unpainted pre-galvanized steel

Accessories

- See pages L1-L24

SC SERIES SCREW-COVER PULL BOX ENCLOSURES

Catalog Number				Enclosure Size	Knockout Pattern	
Painted		Galvanized			Width Side	Height Side
W/Knockouts	W/O Knockouts	W/Knockouts	W/O Knockouts			
SC040404	SC040404NK	SC040404G	SC040404GNK	4.13x4.13x4.19 (105x105x106)	A	A
SC040604	SC040604NK	SC040604G	SC040604GNK	6.13x4.13x4.19 (156x105x106)	A	A-B-A
SC060604	SC060604NK	SC060604G	SC060604GNK	6.13x6.13x4.19 (156x156x106)	A-B-A	A-B-A
SC060804	SC060804NK	SC060804G	SC060804GNK	8.13x6.13x4.19 (207x156x106)	A-B-A	A-B-A
SC061004	—	—	—	10.13x6.13x4.19 (257x156x106)	A-B-A	B-A-F-F-A
SC061204	SC061204NK	SC061204G	SC061204GNK	12.13x6.13x4.19 (308x156x106)	A-B-A	B-A-F-F-A-B
SC080804	SC080804NK	SC080804G	SC080804GNK	8.13x8.13x4.19 (207x207x106)	A-B-A	A-B-A
SC081004	SC081004NK	SC081004G	SC081004GNK	10.13x8.13x4.19 (257x207x106)	A-B-A	B-A-F-F-A
SC081204	SC081204NK	SC081204G	SC081204GNK	12.13x8.13x4.19 (308x207x106)	A-B-A	B-A-F-F-A-B
SC101004	SC101004NK	SC101004G	SC101004GNK	10.13x10.13x4.19 (257x257x106)	B-A-F-F-A	B-A-F-F-A
SC101204	SC101204NK	SC101204G	SC101204GNK	12.13x10.13x4.19 (308x257x106)	B-A-F-F-A	B-A-F-F-A-B
SC121204	SC121204NK	SC121204G	SC121204GNK	12.13x12.13x4.19 (308x308x106)	B-A-F-F-A-B	B-A-F-F-A-B
SC121504	SC121504NK	SC121504G	SC121504GNK	15.13x12.13x4.19 (384x308x106)	B-A-F-F-A-B	A-B-A-F-F-A-B-A
—	SC121604NK	—	—	16.13x12.13x4.19 (410x308x106)	B-A-F-F-A-B	A-B-A-F-F-A-B-A

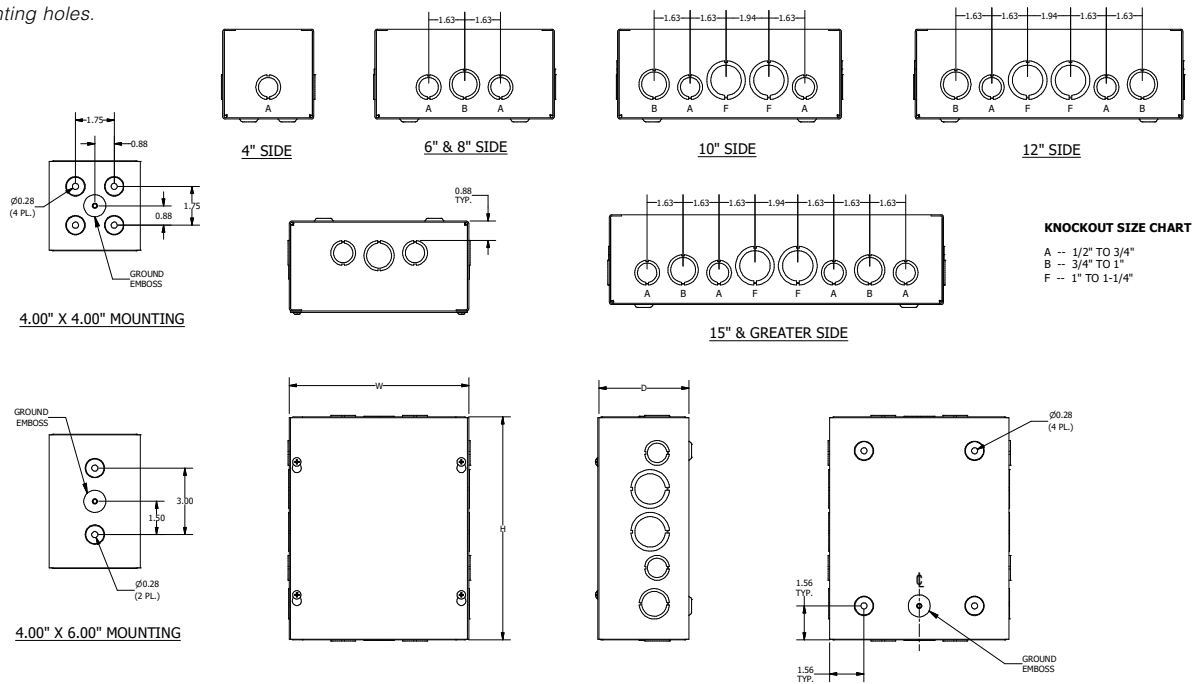
continued on page A3

SC SERIES SCREW-COVER PULL BOX ENCLOSURES (CONT.)

Catalog Number				Enclosure Size	Knockout Pattern	
Painted		Galvanized			Width Side	Height Side
W/Knockouts	W/O Knockouts	W/Knockouts	W/O Knockouts			
SC121804	SC121804NK	SC121804G	SC121804GNK	18.13x12.13x4.19 (461x308x106)	B-A-F-F-A-B	A-B-A-F-F-A-B-A
SC122404	SC122404NK	SC122404G	SC122404GNK	24.13x12.13x4.19 (613x308x106)	B-A-F-F-A-B	A-B-A-F-F-A-B-A
SC151504	SC151504NK	SC151504G	SC151504GNK	15.13x15.13x4.19 (384x384x106)	A-B-A-F-F-A-B-A	A-B-A-F-F-A-B-A
SC151804	SC151804NK	SC151804G	SC151804GNK	18.13x15.13x4.19 (461x384x106)	A-B-A-F-F-A-B-A	A-B-A-F-F-A-B-A
SC161604	SC161604NK	SC161604G	SC161604GNK	16.13x16.13x4.19 (410x410x106)	A-B-A-F-F-A-B-A	A-B-A-F-F-A-B-A
SC181804	SC181804NK	SC181804G	SC181804GNK	18.13x18.13x4.19 (461x461x106)	A-B-A-F-F-A-B-A	A-B-A-F-F-A-B-A
SC182404	SC182404NK	SC182404G	SC182404GNK	24.13x18.13x4.19 (613x461x106)	A-B-A-F-F-A-B-A	A-B-A-F-F-A-B-A
SC183004	SC183004NK	SC183004G	SC183004GNK	30.13x18.13x4.19 (765x461x106)	A-B-A-F-F-A-B-A	A-B-A-F-F-A-B-A
SC242404	SC242404NK	SC242404G	SC242404GNK	24.13x24.13x4.19 (613x613x106)	A-B-A-F-F-A-B-A	A-B-A-F-F-A-B-A
SC060606	SC060606NK	SC060606G	SC060606GNK	6.13x6.13x6.19 (156x156x157)	A-B-A	A-B-A
SC060806	SC060806NK	SC060806G	SC060806GNK	8.13x6.13x6.19 (207x156x157)	A-B-A	A-B-A
SC061206	SC061206NK	SC061206G	SC061206GNK	12.13x6.13x6.19 (308x156x157)	A-B-A	B-A-F-F-A-B
SC080806	SC080806NK	SC080806G	SC080806GNK	8.13x8.13x6.19 (207x207x157)	A-B-A	A-B-A
SC081006	SC081006NK	SC081006G	SC081006GNK	10.13x8.13x6.19 (257x207x157)	A-B-A	B-A-F-F-A
SC081206	SC081206NK	SC081206G	SC081206GNK	12.13x8.13x6.19 (308x207x157)	A-B-A	B-A-F-F-A-B
SC101006	SC101006NK	SC101006G	SC101006GNK	10.13x10.13x6.19 (257x257x157)	B-A-F-F-A	B-A-F-F-A
SC101206	SC101206NK	SC101206G	SC101206GNK	12.13x10.13x6.19 (308x257x157)	B-A-F-F-A	B-A-F-F-A-B
SC121206	SC121206NK	SC121206G	SC121206GNK	12.13x12.13x6.19 (308x308x157)	B-A-F-F-A-B	B-A-F-F-A-B
SC121506	SC121506NK	SC121506G	SC121506GNK	15.13x12.13x6.19 (384x308x157)	B-A-F-F-A-B	A-B-A-F-F-A-B-A
SC121806	SC121806NK	SC121806G	SC121806GNK	18.13x12.13x6.19 (461x308x157)	B-A-F-F-A-B	A-B-A-F-F-A-B-A
SC122406	SC122406NK	SC122406G	SC122406GNK	24.13x12.13x6.19 (613x308x157)	B-A-F-F-A-B	A-B-A-F-F-A-B-A

Note: 8", 10" and 12" deep enclosures do not have mounting embosses in back of enclosure, only mounting holes.

continued on page A4



**SC SERIES ENCLOSURES
NEMA 1 SCREW-COVER WALL-MOUNT**

SC SERIES SCREW-COVER PULL BOX ENCLOSURES (CONT.)

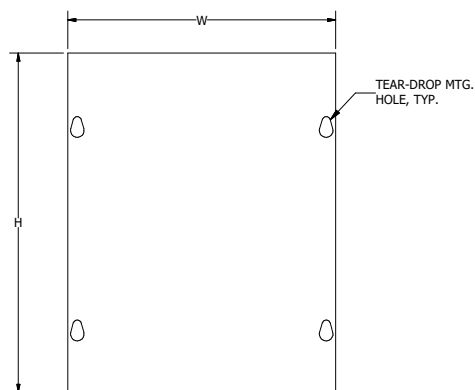
Catalog Number						
Painted		Galvanized		Knockout Pattern		
W/Knockouts	W/O Knockouts	W/Knockouts	W/O Knockouts	Enclosure Size	Width Side	Height Side
SC151506	SC151506NK	SC151506G	SC151506GNK	15.13x15.13x6.19 (384x384x157)	A-B-A-F-F-A-B-A	A-B-A-F-F-A-B-A
—	SC161606NK	—	SC161606GNK	16.13x16.13x6.19 (410x410x157)	A-B-A-F-F-A-B-A	A-B-A-F-F-A-B-A
SC151806	SC151806NK	SC151806G	SC151806GNK	18.13x15.13x6.19 (461x384x157)	A-B-A-F-F-A-B-A	A-B-A-F-F-A-B-A
SC181806	SC181806NK	SC181806G	SC181806GNK	18.13x18.13x6.19 (461x461x157)	A-B-A-F-F-A-B-A	A-B-A-F-F-A-B-A
SC182406	SC182406NK	SC182406G	SC182406GNK	24.13x18.13x6.19 (613x461x157)	A-B-A-F-F-A-B-A	A-B-A-F-F-A-B-A
SC242406	SC242406NK	SC242406G	SC242406GNK	24.13x18.13x6.19 (613x461x157)	A-B-A-F-F-A-B-A	A-B-A-F-F-A-B-A
SC243006	SC243006NK	SC243006G	SC243006GNK	30.13x24.13x6.19 (765x613x157)	A-B-A-F-F-A-B-A	A-B-A-F-F-A-B-A
—	SC303006NK	—	SC303006GNK	30.13x30.13x6.19 (765x765x157)	A-B-A-F-F-A-B-A	A-B-A-F-F-A-B-A
—	SC363606NK	—	SC363606GNK	36.13x36.13x6.19 (918x918x157)	A-B-A-F-F-A-B-A	A-B-A-F-F-A-B-A
SC080808	SC080808NK	SC080808G	SC080808GNK	8.13x8.13x8.19 (207x207x208)	A-B-A	A-B-A
SC101008	—	—	—	10.13x10.13x8.19 (257x257x208)	B-A-F-F-A	B-A-F-F-A
SC121208	SC121208NK	SC121208G	SC121208GNK	12.13x12.13x8.19 (308x308x208)	B-A-F-F-A-B	B-A-F-F-A-B
SC121608	SC121608NK	SC121608G	SC121608GNK	16.13x12.13x8.19 (410x308x208)	B-A-F-F-A-B	A-B-A-F-F-A-B-A
SC121808	SC121808NK	SC121808G	SC121808GNK	18.13x12.13x8.19 (461x308x208)	B-A-F-F-A-B	A-B-A-F-F-A-B-A
SC122408	SC122408NK	SC122408G	SC122408GNK	24.13x12.13x8.19 (613x308x208)	B-A-F-F-A-B	A-B-A-F-F-A-B-A
SC181808	SC181808NK	SC181808G	SC181808GNK	18.13x18.13x8.19 (461x461x208)	A-B-A-F-F-A-B-A	A-B-A-F-F-A-B-A
SC182408	SC182408NK	SC182408G	SC182408GNK	24.13x18.13x8.19 (613x461x208)	A-B-A-F-F-A-B-A	A-B-A-F-F-A-B-A
SC242408	SC242408NK	SC242408G	SC242408GNK	24.13x24.13x8.19 (613x613x208)	A-B-A-F-F-A-B-A	A-B-A-F-F-A-B-A
SC243008	SC243008NK	SC243008G	SC243008GNK	30.13x24.13x8.19 (765x613x208)	A-B-A-F-F-A-B-A	A-B-A-F-F-A-B-A
SC243608	SC243608NK	SC243608G	SC243608GNK	36.13x24.13x8.19 (918x613x208)	A-B-A-F-F-A-B-A	A-B-A-F-F-A-B-A
—	SC303008NK	—	SC303008GNK	30.13x30.13x8.19 (765x765x208)	A-B-A-F-F-A-B-A	A-B-A-F-F-A-B-A
—	SC303608NK	—	SC303608GNK	36.13x30.13x8.19 (918x765x208)	A-B-A-F-F-A-B-A	A-B-A-F-F-A-B-A
—	SC363608NK	—	SC363608GNK	36.13x36.13x8.19 (918x918x208)	A-B-A-F-F-A-B-A	A-B-A-F-F-A-B-A
—	SC484808NK	—	—	48.13x48.13x8.19 (1223x1223x208)	—	—
SC121210	SC121210NK	SC121210G	SC121210GNK	12.13x12.13x10.19 (308x308x259)	B-A-F-F-A-B	B-A-F-F-A-B
SC121810	SC121810NK	SC121810G	SC121810GNK	18.13x12.13x10.19 (461x308x259)	B-A-F-F-A-B	A-B-A-F-F-A-B-A
SC122410	SC122410NK	SC122410G	SC122410GNK	24.13x12.13x10.19 (613x308x259)	B-A-F-F-A-B	A-B-A-F-F-A-B-A
SC181810	SC181810NK	SC181810G	SC181810GNK	18.13x18.13x10.19 (461x461x259)	A-B-A-F-F-A-B-A	A-B-A-F-F-A-B-A
SC182410	SC182410NK	SC182410G	SC182410GNK	24.13x18.13x10.19 (613x461x259)	A-B-A-F-F-A-B-A	A-B-A-F-F-A-B-A
SC242410	SC242410NK	SC242410G	SC242410GNK	24.13x24.13x10.19 (613x613x259)	A-B-A-F-F-A-B-A	A-B-A-F-F-A-B-A
SC243010	SC243010NK	SC243010G	SC243010GNK	30.13x24.13x10.19 (765x613x259)	A-B-A-F-F-A-B-A	A-B-A-F-F-A-B-A
—	SC303010NK	—	SC303010GNK	30.13x30.13x10.19 (765x765x259)	A-B-A-F-F-A-B-A	A-B-A-F-F-A-B-A
—	SC303610NK	—	SC303610GNK	36.13x30.13x10.19 (918x765x259)	A-B-A-F-F-A-B-A	A-B-A-F-F-A-B-A
SC243610	SC243610NK	SC243610G	SC243610GNK	36.13x24.13x10.19 (918x613x259)	A-B-A-F-F-A-B-A	A-B-A-F-F-A-B-A
—	SC363610NK	—	SC363610GNK	36.13x36.13x10.19 (918x918x259)	A-B-A-F-F-A-B-A	A-B-A-F-F-A-B-A
SC121212	SC121212NK	SC121212G	SC121212GNK	12.13x12.13x12.19 (308x308x310)	B-A-F-F-A-B	B-A-F-F-A-B
SC122412	SC122412NK	SC122412G	SC122412GNK	24.13x12.13x12.19 (613x308x310)	B-A-F-F-A-B	A-B-A-F-F-A-B-A
SC181812	SC181812NK	SC181812G	SC181812GNK	18.13x18.13x12.19 (461x461x310)	A-B-A-F-F-A-B-A	A-B-A-F-F-A-B-A
SC182412	SC182412NK	SC182412G	SC182412GNK	24.13x18.13x12.19 (613x461x310)	A-B-A-F-F-A-B-A	A-B-A-F-F-A-B-A
SC242412	SC242412NK	SC242412G	SC242412GNK	24.13x24.13x12.19 (613x613x310)	A-B-A-F-F-A-B-A	A-B-A-F-F-A-B-A
SC243012	SC243012NK	SC243012G	SC243012GNK	30.13x24.13x12.19 (765x613x310)	A-B-A-F-F-A-B-A	A-B-A-F-F-A-B-A
SC243612	SC243612NK	SC243612G	SC243612GNK	36.13x24.13x12.19 (918x613x310)	A-B-A-F-F-A-B-A	A-B-A-F-F-A-B-A
—	SC303012NK	—	SC303012GNK	30.13x30.13x12.19 (765x765x310)	A-B-A-F-F-A-B-A	A-B-A-F-F-A-B-A
—	SC303612NK	—	SC303612GNK	36.13x30.13x12.19 (918x765x310)	A-B-A-F-F-A-B-A	A-B-A-F-F-A-B-A
—	SC363612NK	—	SC363612GNK	36.13x36.13x12.19 (918x918x310)	A-B-A-F-F-A-B-A	A-B-A-F-F-A-B-A
—	SC484812NK	—	SC484812GNK	48.13x48.13x12.19 (1223x1223x310)	—	—
—	SC242418NK	—	—	24.13x24.13x18.19 (613x613x462)	—	—
—	SC363618NK	—	SC363618GNK	36.13x36.13x18.19 (918x918x462)	—	—
—	SC484818NK	—	SC484818GNK	48.13x48.13x18.19 (1223x1223x462)	—	—

continued on page A5

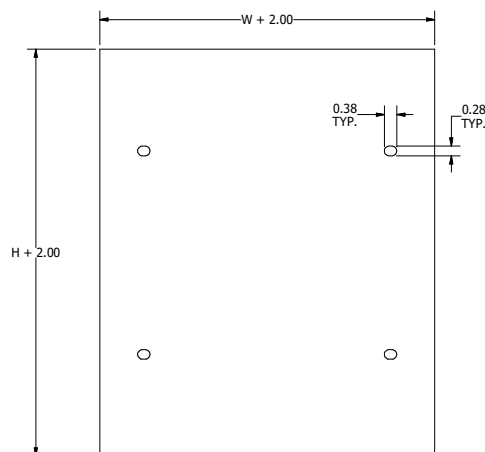
SURFACE & FLUSH COVERS ONLY

Catalog Number					
Surface Painted	Surface Galvanized	Flush Painted	Flush Galvanized	Flush Cover Size A x B	For Box H x W*
SC0404	SC0404G	SCF0404	SCF0404G	6.00x6.00 (152x152)	4.00x4.00 (102x102)
SC0406	SC0406G	SCF0406	SCF0406G	8.00x6.00 (203x152)	6.00x4.00 (102x102)
SC0606	SC0606G	SCF0606	SCG0606G	8.00x8.00 (203x203)	6.00x6.00 (152x152)
SC0608	SC0608G	SCF0608	SCF0608G	10.00x8.00 (254x203)	8.00x6.00 (203x152)
SC0612	SC0612G	SCF0612	SCF0612G	14.00x8.00 (356x203)	12.00x6.00 (305x152)
SC0808	SC0808G	SCF0808	SCF0808G	10.00x10.00 (254x254)	8.00x8.00 (203x203)
SC0810	SC0810G	SCF0810	SCF0810G	12.00x10.00 (305x254)	10.00x8.00 (254x203)
SC0812	SC0812G	SCF0812	SCF0812G	14.00x10.00 (356x254)	12.00x8.00 (305x203)
SC1010	SC1010G	SCF1010	SCF1010G	12.00x12.00 (305x305)	10.00x10.00 (254x254)
SC1012	SC1012G	SCF1012	SCF1012G	14.00x12.00 (356x305)	12.00x10.00 (305x254)
SC1212	SC1212G	SCF1212	SCF1212G	14.00x14.00 (356x356)	12.00x12.00 (305x305)
SC1215	SC1215G	SCF1215	SCF1215G	17.00x14.00 (432x356)	15.00x12.00 (381x305)
SC1216	SC1216G	SCF1216	SCF1216G	18.00x14.00 (457x356)	16.00x12.00 (406x305)
SC1218	SC1218G	SCF1218	SCF1218G	20.00x14.00 (508x356)	18.00x12.00 (457x305)
SC1224	SC1224G	SCF1224	SCF1224G	26.00x14.00 (660x356)	24.00x12.00 (610x305)
SC1515	SC1515G	SCF1515	SCF1515G	17.00x17.00 (432x432)	15.00x15.00 (381x381)
SC1518	SC1518G	SCF1518	SCF1518G	20.00x17.00 (508x432)	18.00x15.00 (457x381)
SC1616	SC1616G	SCF1616	SCF1616G	18.00x18.00 (457x457)	16.00x16.00 (406x406)
SC1818	SC1818G	SCF1818	SCF1818G	20.00x20.00 (508x508)	18.00x18.00 (457x457)
SC1824	SC1824G	SCF1824	SCF1824G	26.00x20.00 (660x508)	24.00x18.00 (610x457)
SC1830	SC1830G	SCF1830	SCF1830G	32.00x20.00 (813x508)	30.00x18.00 (762x457)
SC2424	SC2424G	SCF2424	SCF2424G	26.00x26.00 (660x660)	24.00x24.00 (610x610)
SC3030	SC3030G	SCF3030	SCF3030G	32.00x32.00 (812x812)	30.00x30.00 (762x762)
SC3636	SC3636G	SCF3636	SCF3636G	38.00x38.00 (965x965)	36.00x36.00 (914x914)
SC4848	SC4848G	SCF4848	SCF4848G	50.00x50.00 (1270x1270)	48.00x48.00 (1219x1219)

*Surface covers are same size as H x W of box.



SURFACE COVER



FLUSH COVER

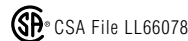
A SERIES ENCLOSURES NEMA 1 HINGED-COVER WALL-MOUNT



A080804

Industry Standards

UL 50, Type 1
CSA Certified, Type 1
NEMA/EEMAC Type 1



FEATURES-SPECIFICATIONS

Applications

Designed for use as surface-mounted junction box, service box, switch box or cutout box.

Construction

- Bodies and doors are fabricated from carbon steel
- Enclosures are furnished with clamp style hinges allowing for removable/replaceable covers
- Various sizes of removable concentric knockouts are furnished on all four sides of standard cutout boxes
- Mounting holes on the back of the enclosure

Finish

- ANSI-61 gray polyester powder inside and out

Accessories

- See pages L1-L24

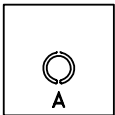
NOTE: 8" deep enclosures do not have mounting embosses in back of enclosure, only mounting holes.

NOTE: Second numerical value of catalog # represents height.

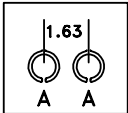
A SERIES HINGED-COVER ENCLOSURES

Catalog Number	Enclosure Size HxWxD	Knockout Patterns	
		Width Side	Height Side
A040503	5.13x4.63x3.19 (130x118x81)	A-A	A-A
A060603	6.13x6.13x3.19 (156x156x81)	A-B-A	A-B-A
A040604	6.13x4.13x4.19 (156x105x106)	A-A	A-B-A
A060604	6.13x6.13x4.19 (156x156x106)	A-B-A	A-B-A
A060804	8.13x6.13x4.19 (207x156x106)	A-B-A	A-B-A
A080804	8.13x8.13x4.19 (207x207x106)	A-B-A	A-B-A
A081004	10.13x8.13x4.19 (257x207x106)	A-B-A	B-A-F-F-A
A081204	12.13x8.13x4.19 (308x207x106)	A-B-A	B-A-F-F-A-B
A101004	10.13x10.13x4.19 (257x257x106)	B-A-F-F-A	B-A-F-F-A
A101204	12.13x10.13x4.19 (308x257x106)	B-A-F-F-A	B-A-F-F-A-B
A121204	12.13x12.13x4.19 (308x308x106)	B-A-F-F-A-B	B-A-F-F-A-B
A121504	15.13x12.13x4.19 (384x308x106)	B-A-F-F-A-B	A-B-A-F-F-A-B-A
A121604	16.13x12.13x4.19 (410x308x106)	B-A-F-F-A-B	A-B-A-F-F-A-B-A
A121804	18.13x12.13x4.19 (461x308x106)	B-A-F-F-A-B	A-B-A-F-F-A-B-A
A151804	18.13x15.13x4.19 (461x384x106)	A-B-A-F-F-A-B-A	A-B-A-F-F-A-B-A
A060606	6.13x6.13x6.19 (156x156x157)	A-B-A	A-B-A
A080806	8.13x8.13x6.19 (207x207x157)	A-B-A	A-B-A
A081006	10.13x8.13x6.19 (257x207x157)	A-B-A	B-A-F-F-A
A101006	10.13x10.13x6.19 (257x257x157)	B-A-F-F-A	B-A-F-F-A
A101206	12.13x10.13x6.19 (308x257x157)	B-A-F-F-A	B-A-F-F-A-B
A121206	12.13x12.13x6.19 (308x308x157)	B-A-F-F-A-B	B-A-F-F-A-B
A121606	16.13x12.13x6.19 (410x308x157)	B-A-F-F-A-B	A-B-A-F-F-A-B-A
A121806	18.13x12.13x6.19 (461x308x157)	B-A-F-F-A-B	A-B-A-F-F-A-B-A
A151506	15.13x15.13x6.19 (384x384x157)	A-B-A-F-F-A-B-A	A-B-A-F-F-A-B-A
A161606	16.13x16.13x6.19 (410x410x157)	A-B-A-F-F-A-B-A	A-B-A-F-F-A-B-A
A181806	18.13x18.13x6.19 (461x461x157)	A-B-A-F-F-A-B-A	A-B-A-F-F-A-B-A
A182406	24.13x18.13x6.19 (613x461x157)	A-B-A-F-F-A-B-A	A-B-A-F-F-A-B-A
A242406	24.13x24.13x6.19 (613x613x157)	A-B-A-F-F-A-B-A	A-B-A-F-F-A-B-A
A243006	30.13x24.13x6.19 (765x613x157)	A-B-A-F-F-A-B-A	A-B-A-F-F-A-B-A
A243606	36.13x24.13x6.19 (918x613x157)	A-B-A-F-F-A-B-A	A-B-A-F-F-A-B-A
A243608	36.13x24.13x8.19 (918x613x208)	A-B-A-F-F-A-B-A	A-B-A-F-F-A-B-A

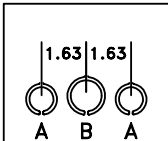
Knockout Patterns



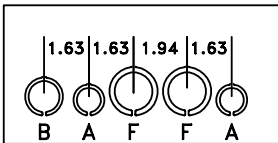
4" SIDE



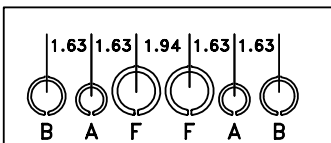
4-1/2" & 5" SIDE



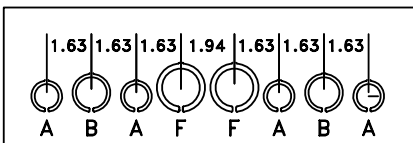
6" & 8" SIDE



10" SIDE

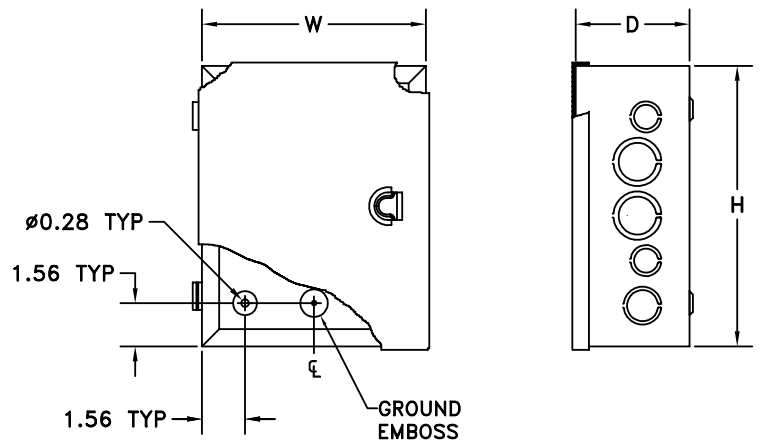
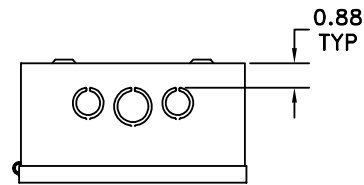
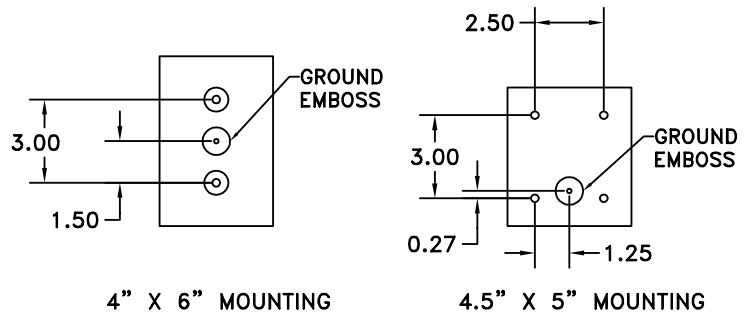


12" SIDE



15" THRU 36" SIDE.

- A -- 1/2" TO 3/4"
- B -- 3/4" TO 1"
- F -- 1" TO 1-1/4"



N1C SERIES ENCLOSURES "SMALL" NEMA 1 HINGED-COVER WALL-MOUNT



N1C060604

Industry Standards
UL 50, Type 1
CSA Certified, Type 1
NEMA/EEMAC Type 1

 UL Files E6924

 CSA File LL66078

FEATURES-SPECIFICATIONS

Applications

Designed for use as control enclosures and instrument cases in areas not requiring oil-tight or dust-tight specifications.

Construction

- Bodies and doors are fabricated from carbon steel
- Continuous hinged covers
- Mounting holes on the back of the enclosure

- Grounding provisions are provided
- Doors are furnished standard with quarter-turn latch
- Weldnuts are provided for mounting **optional** back panels

Finish

- ANSI-61 gray polyester powder inside and out
- **Optional** back panels are painted with a white polyester powder

- **Optional** perforated panels are painted with a white polyester powder
- **Optional** "G" panels are pre-galvanized steel

Accessories

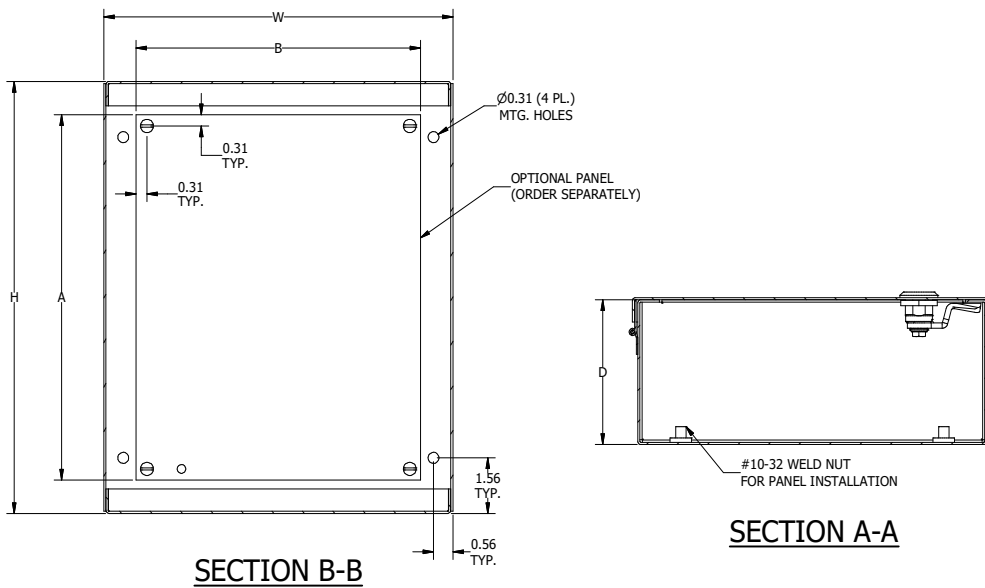
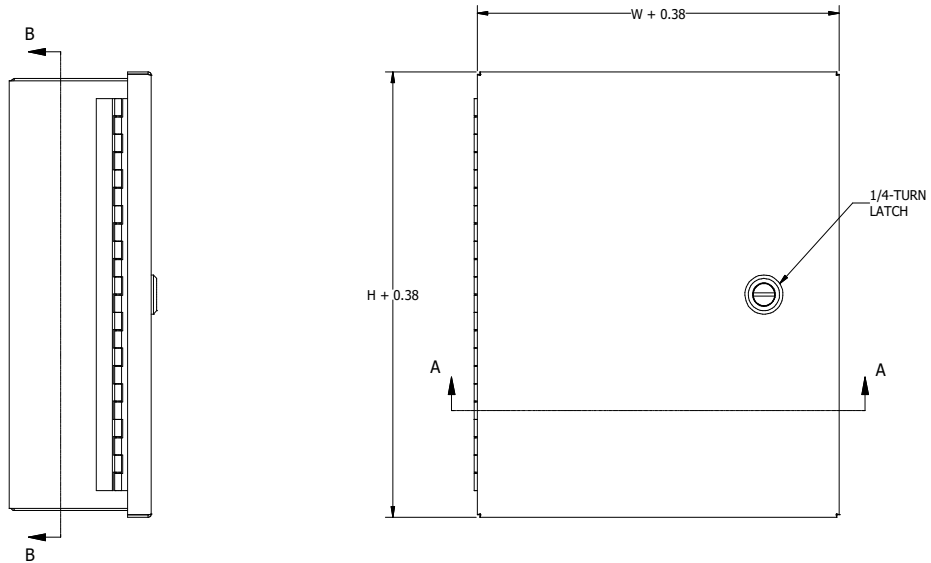
- Back panels (reference table)
- See pages L1-L24

"SMALL" N1C SERIES HINGED-COVER ENCLOSURES

Catalog Number	Enclosure Size HxWxD	Back Panel Catalog Number*			Back Panel Size A x B
		Painted	"G"	Perforated	
N1C060604	6x6x4 (152x152x102)	N1P0606	N1P0606G	N1P0606PP	4.25x4.25 (108x108)
N1C060804	8x6x4 (203x152x102)	N1P0608	N1P0608G	N1P0608PP	6.25x4.25 (159x108)
N1C080804	8x8x4 (203x203x102)	N1P0808	N1P0808G	N1P0808PP	6.25x6.25 (159x159)
N1C081004	10x8x4 (254x203x102)	N1P0810	N1P0810G	N1P0810PP	8.25x6.25 (210x159)
N1C101004	10x10x4 (254x254x102)	N1P1010	N1P1010G	N1P1010PP	8.25x8.25 (210x210)
N1C101204	12x10x4 (305x254x102)	N1P1012	N1P1012G	N1P1012PP	10.25x8.25 (260x210)
N1C121204	12x12x4 (305x305x102)	N1P1212	N1P1212G	N1P1212PP	10.25x10.25 (260x260)
N1C121404	14x12x4 (356x305x102)	N1P1214	N1P1214G	N1P1214PP	12.25x10.25 (311x260)
N1C060806	8x6x6 (203x152x152)	N1P0608	N1P0608G	N1P0608PP	6.25x4.25 (159x108)
N1C080806	8x8x6 (203x203x152)	N1P0808	N1P0808G	N1P0808PP	6.25x6.25 (159x159)
N1C081006	10x8x6 (254x203x152)	N1P0810	N1P0810G	N1P0810PP	8.25x6.25 (210x159)
N1C101006	10x10x6 (254x254x152)	N1P1010	N1P1010G	N1P1010PP	8.25x8.25 (210x210)
N1C101206	12x10x6 (305x254x152)	N1P1012	N1P1012G	N1P1012PP	10.25x8.25 (260x210)
N1C121206	12x12x6 (305x305x152)	N1P1212	N1P1212G	N1P1212PP	10.25x10.25 (260x260)
N1C121406	14x12x6 (356x305x152)	N1P1214	N1P1214G	N1P1214PP	12.25x10.25 (311x260)
N1C121606S	16x12x6 (406x305x152)	N1P1216	N1P1216G	N1P1216PP	14.25x10.25 (362x260)
N1C122006	20x12x6 (508x305x152)	N1P1220	N1P1220G	N1P1220PP	18.25x10.25 (464x260)
N1C121208	12x12x8 (305x305x203)	N1P1212	N1P1212G	N1P1212PP	10.25x10.25 (260x260)
N1C121408	14x12x8 (356x305x203)	N1P1214	N1P1214G	N1P1214PP	12.25x10.25 (311x260)

*Back panels must be ordered separately

NOTE: Second numerical value of catalog # represents height.



N1C SERIES ENCLOSURES "MEDIUM" NEMA 1 HINGED-COVER WALL-MOUNT



N1C161606LP

Industry Standards
UL 50, Type 1
CSA Certified, Type 1
NEMA/EEMAC Type 1

 UL File E6924

 CSA File LL66078

FEATURES-SPECIFICATIONS

Applications

Designed for use as control enclosures and instrument cases in areas not requiring oil-tight or dust-tight specifications.

Construction

- Bodies and doors are fabricated from carbon steel
- Mounting holes on the back of the enclosure

- Collar studs for mounting **optional** back panels are provided
- Doors are furnished standard with a quarter-turn latch
- Doors are secured by butt hinges
- Grounding provisions are provided
- If external mounting positions are needed, use N412MFK (See page L8)

Finish

- ANSI-61 gray polyester powder inside and out

- **Optional** back panels are painted with a white polyester powder
- **Optional** perforated panels are painted with a white polyester powder

Accessories

- Back panels (reference table)
- See pages L1-L24

"MEDIUM" N1C SERIES HINGED-COVER ENCLOSURES

Catalog Number	Enclosure Size HxWxD	Back Panel Catalog Number	Perforated Back Panel Catalog Number	Back Panel Size A x B	J	K	L	M
N1C121606LP	16x12x6.75 (406 x 305 x 171)	N1P1216L	N1P1216LPP	13x10.5 (330.2 x 266.7)	2.25 (57)	11.5 (292)	1.5 (38)	9 (229)
N1C131806LP	18x13x6.75 (457 x 330 x 171)	N1P1216L	N1P1216LPP	13x10.5 (330.2 x 266.7)	3.25 (83)	11.5 (292)	2 (51)	9 (229)
N1C161606LP	16x16x6.75 (406 x 406 x 171)	N1P1616	N1P1616PP	13x14.5 (330.2 x 368.3)	2.25 (57)	11.5 (292)	1.5 (38)	13 (330)
N1C162006LP	20x16x6.75 (508 x 406 x 171)	N1P1620	N1P1620PP	17x14.5 (431.8 x 368.3)	2.25 (57)	15.5 (394)	1.5 (38)	13 (330)
N1C162406LP	24x16x6.75 (610 x 406 x 171)	N1P1624	N1P1624PP	21x14.5 (533.4 x 368.3)	2.25 (57)	19.5 (495)	1.5 (38)	13 (330)
N1C181806LP	18x18x6.75 (457 x 457 x 171)	N1P1616	N1P1616PP	13x14.5 (330.2 x 368.3)	3.25 (83)	11.5 (292)	2.5 (64)	13 (330)
N1C201606LP	16x20x6.75 (406 x 508 x 171)	N1P2016	N1P2016PP	13x18.5 (330.2 x 469.9)	2.25 (57)	11.5 (292)	1.5 (38)	17 (432)
N1C202006LP	20x20x6.75 (508 x 508 x 171)	N1P2020	N1P2020PP	17x18.5 (431.8 x 469.9)	2.25 (57)	15.5 (394)	1.5 (38)	17 (432)
N1C202406LP	24x20x6.75 (610 x 508 x 171)	N1P2024	N1P2024PP	21x18.5 (533.4 x 469.9)	2.25 (57)	19.5 (495)	1.5 (38)	17 (432)
N1C203006LP	30x20x6.75 (762 x 508 x 171)	N1P2030	N1P2030PP	26x18.5 (660.4 x 469.9)	2.75 (70)	24.5 (622)	1.5 (38)	17 (432)
N1C242406LP	24x24x6.75 (610 x 610 x 171)	N1P2424	N1P2424PP	21x22.5 (533.4 x 571.5)	2.25 (57)	19.5 (495)	1.5 (38)	21 (533)
N1C243006LP	30x24x6.75 (762 x 610 x 171)	N1P2430	N1P2430PP	26x22.5 (660.4 x 571.5)	2.75 (70)	24.5 (622)	1.5 (38)	21 (533)
N1C243606LP	36x24x6.75 (914 x 610 x 171)	N1P2436	N1P2436PP	32x22.5 (812.8 x 571.5)	2.75 (70)	30.5 (775)	1.5 (38)	21 (533)
N1C303606LP	36x30x6.75 (914 x 762 x 171)	N1P3036	N1P3036PP	32x28.5 (812.8 x 723.9)	2.75 (70)	30.5 (775)	1.5 (38)	27 (686)
N1C121608LP	16x12x8.75 (406 x 305 x 222)	N1P1216	N1P1216PP	13x10.5 (330.2 x 266.7)	2.25 (57)	11.5 (292)	1.5 (38)	9 (229)
N1C162008LP	20x16x8.75 (508 x 406 x 222)	N1P1620	N1P1620PP	17x14.5 (431.8 x 368.3)	2.25 (57)	15.5 (394)	1.5 (38)	13 (330)
N1C202008LP	20x20x8.75 (508 x 508 x 222)	N1P2020	N1P2020PP	17x18.5 (431.8 x 469.9)	2.2(57)	15.5 (394)	1.5 (38)	17 (432)
N1C202408LP	24x20x8.75 (610 x 508 x 222)	N1P2024	N1P2024PP	21x18.5 (533.4 x 469.9)	2.25(57)	19.5 (495)	1.5 (38)	17 (432)
N1C242008LP	20x24x8.75 (508 x 610 x 222)	N1P2420	N1P2420PP	17x22.5 (431.8 x 571.5)	2.25(57)	15.5 (394)	1.5 (38)	21 (533)
N1C242408LP	24x24x8.75 (610 x 610 x 222)	N1P2424	N1P2424PP	21x22.5 (533.4 x 571.5)	2.25(57)	19.5 (495)	1.5 (38)	21 (533)
N1C243008LP	30x24x8.75 (762 x 610 x 222)	N1P2430	N1P2430PP	26x22.5 (660.4 x 571.5)	2.75(70)	24.5 (622)	1.5 (38)	21 (533)
N1C243608LP	36x24x8.75 (914 x 610 x 222)	N1P2436	N1P2436PP	32x22.5 (812.8 x 571.5)	2.75(70)	30.5 (775)	1.5 (38)	21 (533)

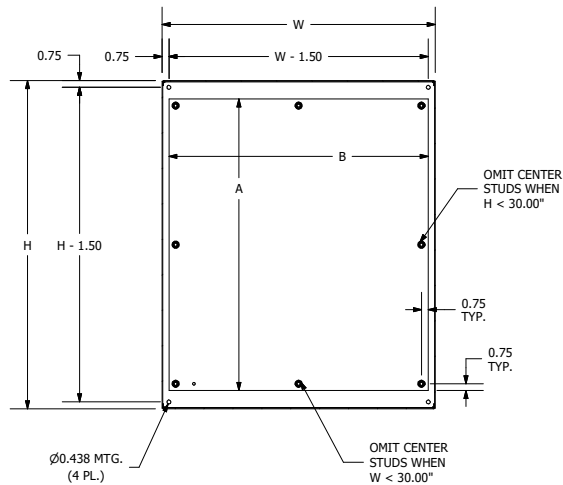
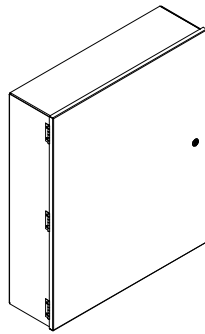
continued on page A11

N1C SERIES ENCLOSURES "MEDIUM" NEMA 1 HINGED-COVER WALL-MOUNT

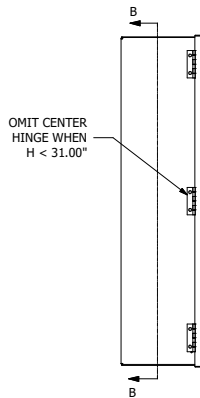
A11

"MEDIUM" N1C SERIES HINGED-COVER ENCLOSURES CONT.

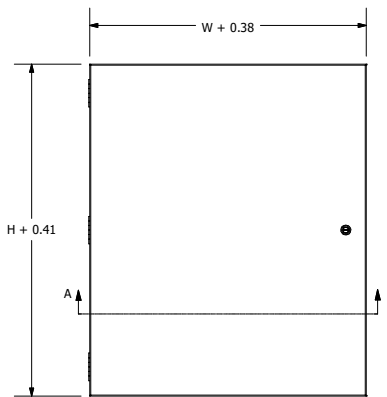
Catalog Number	Enclosure Size HxWxD	Back Panel Catalog Number	Perforated Back Panel Catalog Number	Back Panel Size A x B	J	K	L	M
N1C303008LP	30x30x8.75 (762 x 762 x 222)	N1P3030	N1P3030PP	26x28.5 (660.4 x 723.9)	2.75(70)	24.5 (622)	1.5 (38)	27 (686)
N1C303608LP	36x30x8.75 (914 x 762 x 222)	N1P3036	N1P3036PP	32x28.5 (812.8 x 723.9)	2.75(70)	30.5 (775)	1.5 (38)	27 (686)
N1C181810LP	18x18x10.75 (457 x 457 x 273)	N1P1616	N1P1616PP	13x14.5 (330.2 x 368.3)	3.25(83)	11.5 (292)	2.5 (64)	13 (330)
N1C202410LP	24x20x10.75 (610 x 508 x 273)	N1P2024	N1P2024PP	21x18.5 (533.4 x 469.9)	2.25(57)	19.5 (495)	1.5 (38)	17 (432)
N1C242410LP	24x24x10.75 (610 x 610 x 273)	N1P2424	N1P2424PP	21x22.5 (533.4 x 571.5)	2.25(57)	19.5 (495)	1.5 (38)	21 (533)
N1C243010LP	30x24x10.75 (762 x 610 x 273)	N1P2430	N1P2430PP	26x22.5 (660.4 x 571.5)	2.75(70)	24.5 (622)	1.5 (38)	21 (533)
N1C243610LP	36x24x10.75 (914 x 610 x 273)	N1P2436	N1P2436PP	32x22.5 (812.8 x 571.5)	2.75(70)	30.5 (775)	1.5 (38)	21 (533)
N1C303610LP	36x30x10.75 (914 x 762 x 273)	N1P3036	N1P3036PP	32x28.5 (812.8 x 723.9)	2.75(70)	30.5 (775)	1.5 (38)	27 (686)
N1C242412LP	24x24x12.75 (610 x 610 x 324)	N1P2424	N1P2424PP	21x22.5 (533.4 x 571.5)	2.25(57)	19.5 (495)	1.5 (38)	21 (533)
N1C243012LP	30x24x12.75 (762 x 610 x 324)	N1P2430	N1P2430PP	26x22.5 (660.4 x 571.5)	2.75(70)	24.5 (622)	1.5 (38)	21 (533)
N1C303612LP	36x30x12.75 (914 x 762 x 324)	N1P3036	N1P3036PP	32x28.5 (812.8 x 723.9)	2.75(70)	30.5 (775)	1.5 (38)	27 (686)



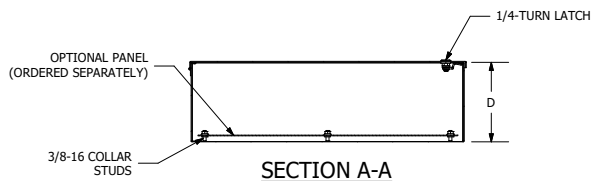
SECTION B-B



LEFT SIDE VIEW



FRONT VIEW



SECTION A-A

N1C SERIES ENCLOSURES "LARGE" NEMA 1 HINGED-COVER WALL-MOUNT




N1C304209

Industry Standards

UL 50, Type 1
CSA Certified, Type 1
NEMA/EEMAC Type 1

 UL File E6924

 CSA File LL66078

FEATURES-SPECIFICATIONS

Applications

Designed for use as control enclosures and instrument cases in areas not requiring oil-tight or dust-tight specifications.

Construction

- Bodies and doors are fabricated from carbon steel
- Continuous hinged doors
- Mounting holes on the back of the enclosure

- Doors are removable by pulling the hinge pin
- Door and body stiffeners provided for extra rigidity in larger enclosures
- Collar studs for mounting **optional** back panels are provided
- If mounting provisions are needed, use N412MFK (See page L8)
- Grounding provisions are provided
- Doors are furnished standard with a quarter-turn latch

Finish

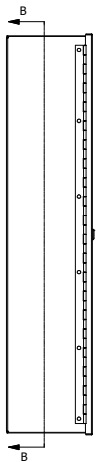
- ANSI-61 gray polyester powder inside and out
- **Optional** panels are painted with a white polyester powder

Accessories

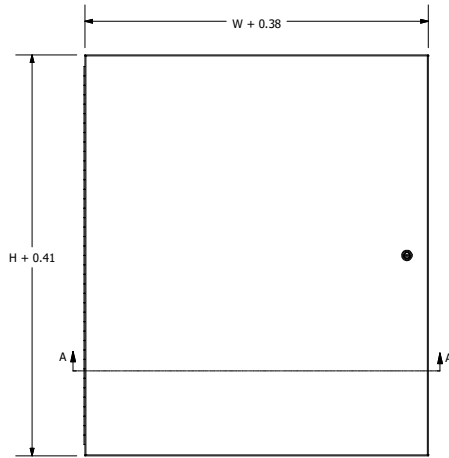
- Back panels (reference table)
- See pages L1-L24

"LARGE" N1C SERIES HINGED-COVER ENCLOSURES

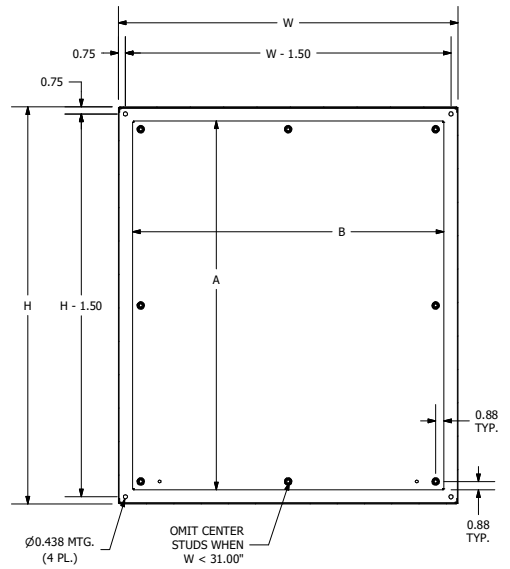
Catalog Number	Enclosure Size HxWxD	Back Panel Catalog Number*	Back Panel Size A x B
N1C304209	42x30x9 (1067 x 762 x 229)	NP4230	39x27 (990.6 x 685.8)
N1C364209	42x36x9 (1067 x 914 x 229)	NP4236	39x33 (990.6 x 838.2)
N1C364809	48x36x9 (1219 x 914 x 229)	NP4836	45x33 (1143 x 838.2)
N1C304810	48x30x10 (1219 x 762 x 254)	NP4830	45x27 (1143 x 685.8)
N1C364811	48x36x11 (1219 x 914 x 279)	NP4836	45x33 (1143 x 838.2)
N1C304213	42x30x13 (1067 x 762 x 330)	NP4230	39x27 (990.6 x 685.8)
N1C364817	48x36x17 (1219 x 914 x 432)	NP4836	45x33 (1143 x 838.2)



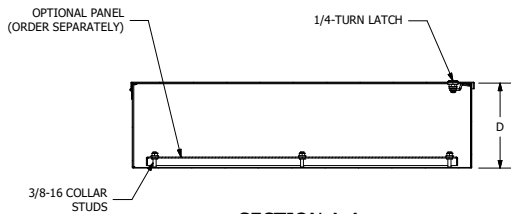
LEFT SIDE VIEW



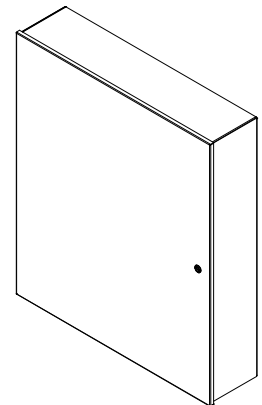
FRONT VIEW



SECTION B-B



SECTION A-A



Section B Index

RSC Series

NEMA 3R Screw-Cover Wall-Mount B2

RHC Series

"Small" NEMA 3R Hinged-Cover
Wall-Mount B5

"Medium" NEMA 3R Hinged-Cover
Wall-Mount B7

LOH Series

NEMA 3R Hinged-Cover Wall-Mount B9

WCT Series

NEMA 3R Screw-Cover Wall-Mount B11

CT Series

NEMA 3R Single Door Hinged-Cover ... B13

NEMA 3R Double Door Hinged-Cover .. B14

NEMA 3R ENCLOSURES



**RSC SERIES ENCLOSURES
NEMA 3R SCREW-COVER WALL-MOUNT**




RSC060604

Industry Standards

UL 50, Type 1 & 3R
CSA Certified, Type 1 & 3R
NEMA/EEMAC Type 1 & 3R

 UL File E6924

 CSA File LL66078

FEATURES-SPECIFICATIONS

Applications

Designed for use as wiring boxes and junction boxes. Provides protection in outdoor applications against rain, sleet, and snow, or indoors against dripping water.

Construction

- Bodies and doors are fabricated from carbon steel or pre-galvanized steel

- Knockouts are standard on the bottom of 4.00" and 6.00" deep enclosures (reference table)
- A slip-on reversible cover is securely fastened with screws located along the bottom edge
- No gasketing is required
- Hasp for padlocking or meter seal is provided

Finish

- ANSI-61 gray polyester powder inside and out
- Unpainted pre-galvanized steel
- **Also available in stainless steel see page E2**

Accessories

- See pages L1-L24

‡ No hasp or meter seal.

Notes: For removal of cover, move downward, then outward.

4.00x6.00x4.00 only has 2 mounting holes centered vertically.

RSC SERIES SCREW-COVER ENCLOSURES

With Knockouts		Without Knockouts		Enclosure Size HxWxD
Painted	Galvanized	Painted	Galvanized	
RSC040404‡	RSC040404G‡	RSC040404NK‡	RSC040404GNK‡	4.13x4.13x4.18 (105x105x107)
RSC040604‡	RSC040604G‡	RSC040604NK‡	RSC040604GNK‡	6.13x4.13x4.18 (156x105x107)
RSC060604	RSC060604G	RSC060604NK	RSC060604GNK	6.13x6.13x4.18 (156x156x107)
RSC060804	RSC060804G	RSC060804NK	RSC060804GNK	8.13x6.13x4.18 (207x156x107)
RSC080804	RSC080804G	RSC080804NK	RSC080804GNK	8.13x8.13x4.18 (207x207x107)
RSC081004	RSC081004G	RSC081004NK	RSC081004GNK	10.13x8.13x4.18 (258x207x107)
RSC101004	RSC101004G	RSC101004NK	RSC101004GNK	10.13x10.13x4.18 (258x258x107)
RSC101204	RSC101204G	RSC101204NK	RSC101204GNK	12.13x10.13x4.18 (309x258x107)
RSC121204	RSC121204G	RSC121204NK	RSC121204GNK	12.13x12.13x4.18 (309x309x107)
RSC121504	RSC121504G	RSC121504NK	RSC121504GNK	15.13x12.13x4.18 (385x309x107)
RSC181804	RSC181804G	RSC181804NK	RSC181804GNK	18.13x18.13x4.18 (461x461x107)
RSC060606	RSC060606G	RSC060606NK	RSC060606GNK	6.13x6.13x6.18 (156x156x157)
RSC060806	RSC060806G	RSC060806NK	RSC060806GNK	8.13x6.13x6.18 (207x156x157)
RSC080806	RSC080806G	RSC080806NK	RSC080806GNK	8.13x8.13x6.18 (207x207x157)
RSC081006	RSC081006G	RSC081006NK	RSC081006GNK	10.13x8.13x6.18 (258x207x157)
RSC081206	RSC081206G	RSC081206NK	RSC081206GNK	12.13x8.13x6.18 (309x207x157)
RSC101006	RSC101006G	RSC101006NK	RSC101006GNK	10.13x10.13x6.18 (258x258x157)
RSC101206	RSC101206G	RSC101206NK	RSC101206GNK	12.13x10.13x6.18 (309x258x157)
RSC121206	RSC121206G	RSC121206NK	RSC121206GNK	12.13x12.13x6.18 (309x309x157)
RSC121506	RSC121506G	RSC121506NK	RSC121506GNK	15.13x12.13x6.18 (385x309x157)
RSC121806	RSC121806G	RSC121806NK	RSC121806GNK	18.13x12.13x6.18 (461x309x157)

continued on page B3

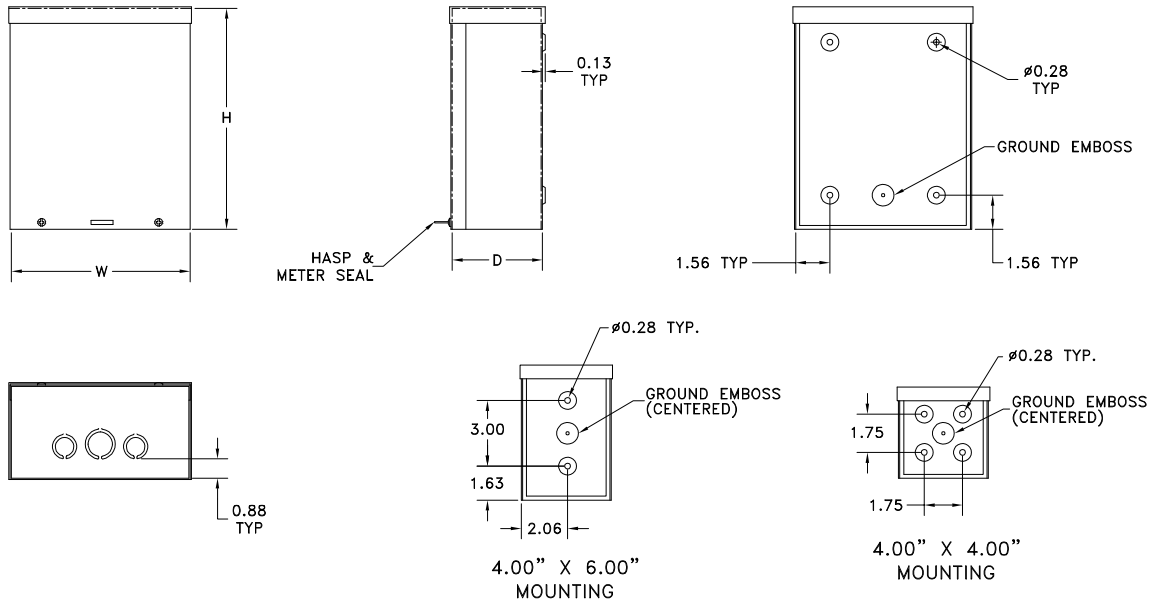
**RSC SERIES ENCLOSURES
NEMA 3R SCREW-COVER WALL-MOUNT**

B3

RSC SERIES SCREW-COVER ENCLOSURES CONT.

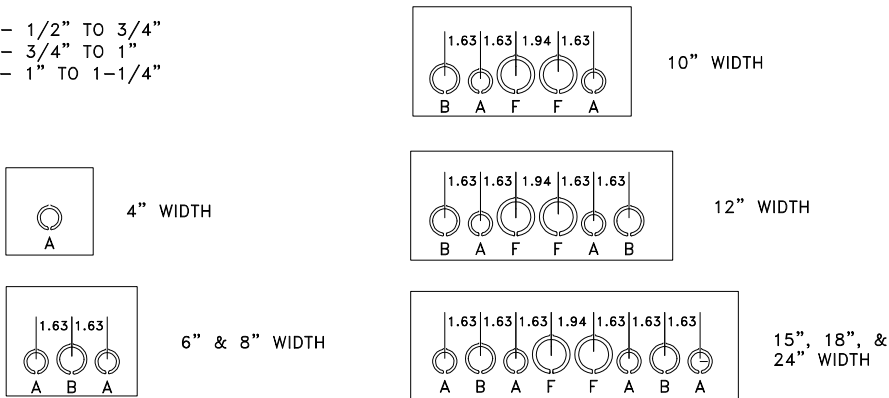
With Knockouts		Without Knockouts		Enclosure Size HxWxD
Painted	Galvanized	Painted	Galvanized	
RSC151806	RSC151806G	RSC151806NK	RSC151806GNK	18.13x15.13x6.18 (461x385x157)
—	—	RSC161606NK	RSC161606GNK	16.13x16.13x6.07 (407x410x155)
RSC181806	RSC181806G	RSC181806NK	RSC181806GNK	18.13x18.13x6.18 (461x461x157)
RSC182406	RSC182406G	RSC182406NK	RSC182406GNK	24.13x18.13x6.18 (613x461x157)
RSC242406	RSC242406G	RSC242406NK	RSC242406GNK	24.13x24.13x6.18 (613x613x157)
—	—	RSC080808NK	—	8.13x8.13x8.07 (204x207x205)
—	—	RSC121208NK	RSC121208GNK	12.13x12.13x8.07 (305x309x205)
—	—	RSC121808NK	RSC121808GNK	18.13x12.13x8.07 (458x309x205)
—	—	RSC151808NK	RSC151808GNK	18.13x15.13x8.07 (458x385x205)
—	—	RSC181808NK	RSC181808GNK	18.13x18.13x8.07 (458x461x205)
—	—	RSC182408NK	RSC182408GNK	20.13x18.13x8.07 (508x461x205)
—	—	RSC202408NK	RSC202408GNK	24.13x20.13x8.07 (610x512x205)
—	—	RSC242408NK	RSC242408GNK	24.13x24.13x8.07 (610x613x205)
—	—	RSC243008NK	RSC243008GNK	30.13x24.13x8.07 (762x613x205)
—	—	RSC303008NK	—	30.13x30.19x8.07 (762x767x205)
—	—	RSC363608NK	RSC363608GNK	36.13x36.19x8.07 (915x920x205)
—	—	RSC121210NK	RSC121210GNK	12.13x12.13x10.07 (305x309x256)
—	—	RSC161610NK	RSC161610GNK	16.13x16.13x10.07 (407x410x256)
—	—	RSC181810NK	—	18.13x18.13x10.07 (458x461x256)
—	—	RSC242410NK	RSC242410GNK	24.13x24.13x10.07 (610x613x256)
—	—	RSC303010NK	—	31.30x30.19x10.07 (762x767x254)
—	—	RSC303610NK	—	36.13x30.19x10.07 (915x767x254)
—	—	RSC363610NK	RSC363610GNK	36.13x36.19x10.07 (915x920x254)
—	—	RSC121212NK	—	12.13x12.13x12.07 (305x309x307)
—	—	RSC181812NK	—	18.13x18.13x12.07 (458x461x307)
—	—	RSC242412NK	RSC242412GNK	24.13x24.13x12.07 (610x613x307)
—	—	RSC243612NK	RSC243612GNK	36.13x24.19x12.07 (915x615x305)
—	—	RSC303012NK	RSC303012GNK	30.13x30.19x12.07 (762x767x305)
—	—	RSC303612NK	RSC303612GNK	36.13x30.19x12.07 (915x767x305)
—	—	RSC363612NK	RSC363612GNK	36.13x36.19x12.07 (915x920x305)
—	—	RSC484812NK	RSC484812GNK	48.13x48.19x12.07 (1220x1225x305)
—	—	RSC242416NK	RSC242416GNK	24.13x24.13x16.07 (610x613x409)
—	—	RSC303016NK	RSC303016GNK	30.13x30.19x16.07 (762x767x407)
—	—	RSC363616NK	RSC363616GNK	36.13x36.19x16.07 (915x920x407)
—	—	RSC364816NK	RSC364816GNK	48.13x36.19x16.07 (1220x920x407)
—	—	RSC363618NK	RSC363618GNK	36.13x36.19x18.07 (915x920x458)
—	—	RSC484818NK	RSC484818GNK	48.13x48.19x18.07 (1220x1225x458)

continued on page B4



Knockout Patterns

- A -- 1/2" TO 3/4"
- B -- 3/4" TO 1"
- F -- 1" TO 1-1/4"



RHC SERIES ENCLOSURES
“SMALL” NEMA 3R HINGED-COVER WALL-MOUNT




RHC060604

Industry Standards

UL 50, Type 1 & 3R
 CSA Certified, Type 1 & 3R
 NEMA/EEMAC Type 1 & 3R

 UL File E6924

 CSA File LL66078

FEATURES-SPECIFICATIONS

Applications

Designed for use as wiring boxes and junction boxes. Provides protection in outdoor installations against rain, sleet, and snow, or indoors against dripping water.

Construction

- Bodies and doors are fabricated from carbon steel
- Continuous hinge with a stainless steel pin
- Lid is secured with a padlockable draw latch

- Weldnuts are provided for mounting **optional** back panels
- External mounting plates on the top and bottom of the enclosure
- Knockouts on the bottom of the enclosure
- Grounding provisions are provided

Finish

- ANSI-61 gray polyester powder inside and out
- **Optional** back panels are painted with a white polyester powder

- **Optional** perforated panels are painted with a white polyester powder
- **Optional** “G” back panels are pre-galvanized steel

Accessories

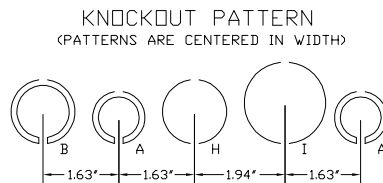
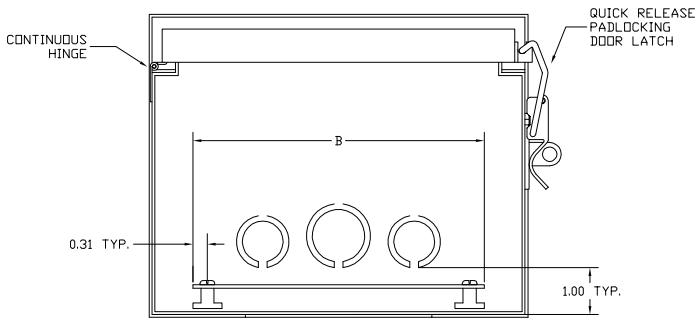
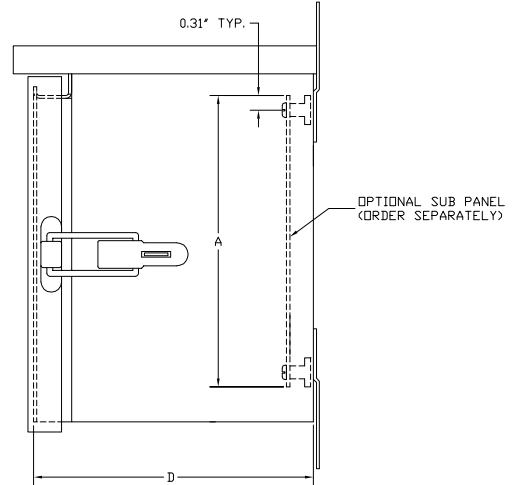
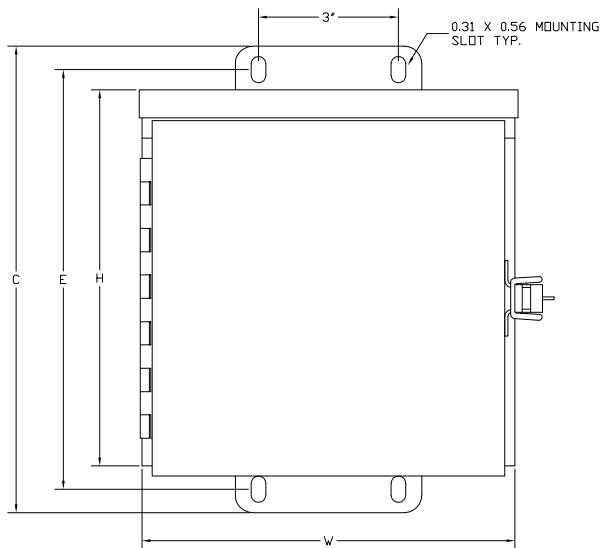
- Back panels (reference table)
- See pages L1-L24

“SMALL” RHC SERIES HINGED-COVER ENCLOSURES

Catalog Number	Enclosure Size HxWxD	Knockout Pattern	Back Panel Catalog Number*			Back Panel Size A x B	C	E
			White	“G”	Perforated			
RHC060604	6.06x6.00x4.13 (154x152x105)	A-B-A	N1P0606	N1P0606G	N1P0606PP	4.25x4.25 (108x108)	8.00 (203)	7.00 (178)
RHC060804	8.06x6.00x4.13 (205x152x105)	A-B-A	N1P0608	N1P0608G	N1P0608PP	6.25x4.25 (159x108)	10.00 (254)	9.00 (229)
RHC080804	8.06x8.00x4.13 (205x203x105)	A-B-A	N1P0808	N1P0808G	N1P0808PP	6.25x6.25 (159x159)	10.00 (254)	9.00 (229)
RHC080806	8.06x8.00x6.13 (205x203x156)	A-B-A	N1P0808	N1P0808G	N1P0808PP	6.25x6.25 (159x159)	10.00 (254)	9.00 (229)
RHC081006	10.06x8.00x6.13 (256x203x156)	A-B-A	N1P0810	N1P0810G	N1P0810PP	8.25x6.25 (210x159)	12.00 (305)	11.00 (279)
RHC101206	12.06x10.00x6.13 (306x254x156)	A-B-A	N1P1012	N1P1012G	N1P1012PP	10.25x8.25 (260x210)	14.00 (356)	13.00 (330)
RHC121206	12.06x12.00x6.13 (306x305x156)	B-A-H-I-A	N1P1212	N1P1212G	N1P1212PP	10.25x10.25 (260x260)	14.00 (356)	13.00 (330)

* Back panels must be ordered separately.

RHC SERIES ENCLOSURES
"SMALL" NEMA 3R HINGED-COVER WALL-MOUNT



- B = 3/4" X 1" CONCENTRIC KO
- A = 1/2" X 3/4" CONCENTRIC KO
- H = 1" SOLID KO
- I = 1-1/4" SOLID KO



RHC161206

Industry Standards

UL 508, Type 1 & 3R
 CSA Certified, Type 1 & 3R
 NEMA/EEMAC Type 1 & 3R



UL File E6924



CSA File LL66078

FEATURES-SPECIFICATIONS

Applications

Designed for use as wiring boxes and junction boxes. Provides protection in outdoor installations against rain, sleet, and snow, or indoors against dripping water.

Construction

- Bodies and doors are fabricated from carbon steel
- Continuous hinge with a stainless steel pin

- No knockouts
- Collar studs for mounting optional back panels are provided
- External mounting plates on the top and bottom of the enclosure
- Hasp and staple are provided for padlocking

Finish

- ANSI-61 gray polyester powder inside and out

- Optional back panels are painted with a white polyester powder
- Optional perforated panels are painted with a white polyester powder

Accessories

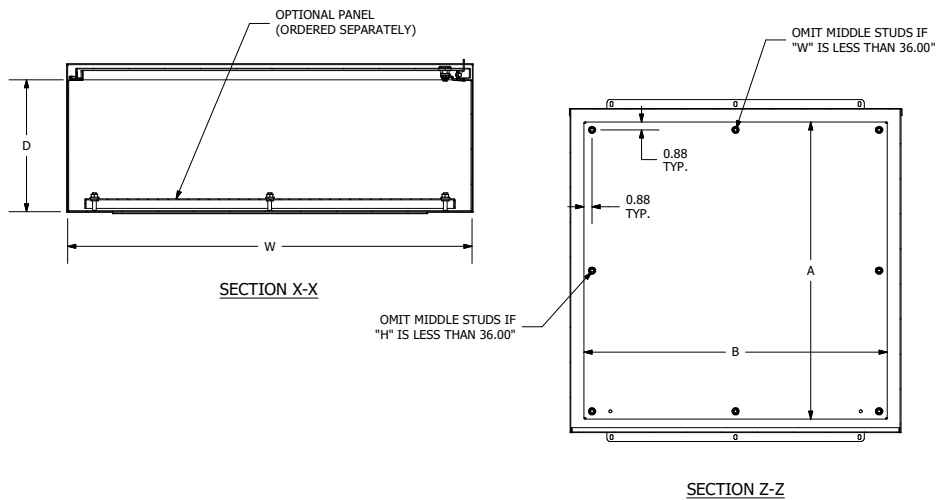
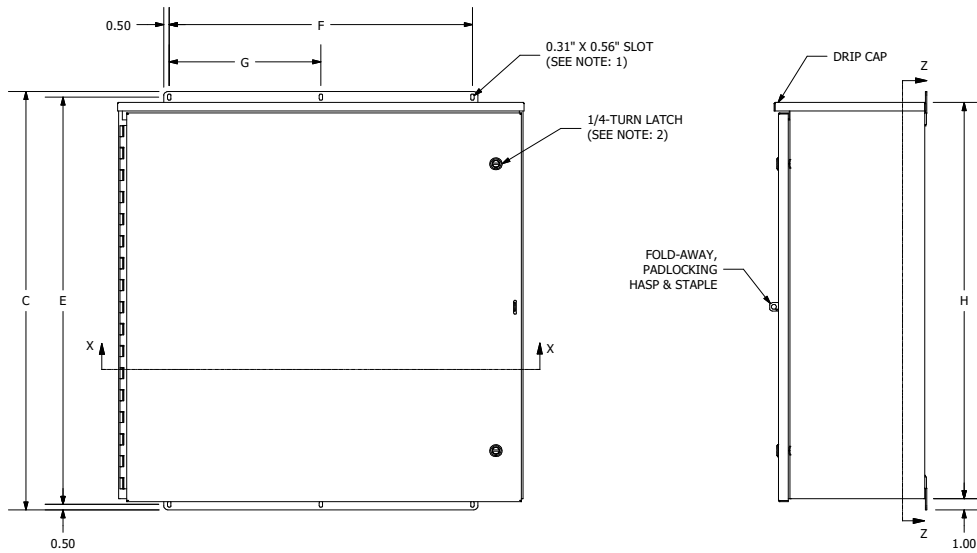
- Back panels (reference table)
- See pages L1-L24

“MEDIUM” RHC SERIES HINGED-COVER ENCLOSURES

Catalog Number	Enclosure Size HxWxD	Back Panel Catalog Number*				C	E	F	G
		White	Perforated	Back Panel Size A x B					
RHC161206	16.00x12.00x6.00 (406x305x152)	NP1612	NP1612PP	13.00x9.00 (330x229)	18.00 (457)	17.00 (432)	5.00 (127)	—	
RHC161606	16.00x16.00x6.00 (406x406x152)	NP1616	NP1616PP	13.00x13.00 (330x330)	18.00 (457)	17.00 (432)	9.00 (229)	—	
RHC201606	20.00x16.00x6.00 (508x406x152)	NP2016	NP2016PP	17.00x13.00 (432x330)	22.00 (559)	21.00 (533)	9.00 (229)	—	
RHC202008	20.00x20.00x8.00 (508x508x203)	NP2020	NP2020PP	17.00x17.00 (432x432)	22.00 (559)	21.00 (533)	13.00 (330)	—	
RHC242008	24.00x20.00x8.00 (610x508x203)	NP2420	NP2420PP	21.00x17.00 (533x432)	26.00(660)	25.00 (635)	13.00 (330)	—	
RHC242408	24.00x24.00x8.00 (610x610x203)	NP2424	NP2424PP	21.00x21.00 (533x533)	26.00 (660)	25.00 (635)	17.00 (432)	—	
RHC302408	30.00x24.00x8.00 (762x610x203)	NP3024	NP3024PP	27.00x21.00 (686x533)	32.00 (813)	31.00 (787)	17.00 (432)	—	
RHC303012	30.00x30.00x12.00 (762x762x305)	NP3030	NP3030PP	27.00x27.00 (686x686)	32.00 (813)	31.00 (787)	27.00 (686)	13.50 (343)	
RHC362412	36.00x24.00x12.00 (914x610x305)	NP3624	NP3624PP	33.00x21.00 (838x533)	38.00 (965)	37.00 (940)	17.00 (432)	—	
RHC363012	36.00x30.00x12.00 (914x762x305)	NP3630	NP3630PP	33.00x27.00 (838x686)	38.00 (965)	37.00 (940)	27.00 (686)	13.50 (343)	
RHC363612	36.00x36.00x12.00 (914x914x305)	NP3636	NP3636PP	33.00x33.00 (838x838)	38.00 (965)	37.00 (940)	27.00 (686)	13.50 (343)	
RHC423012	42.00x30.00x12.00 (1067x762x305)	NP4230	—	39.00x27.00 (991x686)	44.00 (1118)	43.00 (1092)	27.00 (686)	13.50 (343)	
RHC423612	42.00x36.00x12.00 (1067x914x305)	NP4236	—	39.00x33.00 (991x838)	44.00 (1118)	43.00 (1092)	27.00 (686)	13.50 (343)	
RHC483612	48.00x36.00x12.00 (1219x914x305)	NP4836	—	45.00x33.00 (1143x838)	50.00 (1270)	49.00 (1245)	27.00 (686)	13.50 (343)	
RHC603612	60.00x36.00x12.00 (1524x914x305)	NP6036	—	57.00x33.00 (1448x838)	62.00 (1575)	61.00 (1549)	27.00 (686)	13.50 (343)	
RHC303016	30.00x30.00x16.00 (762x762x406)	NP3030	NP3030PP	27.00x27.00 (686x686)	32.00 (813)	31.00 (787)	27.00 (686)	13.50 (343)	
RHC483616	48.00x36.00x16.00 (1219x914x406)	NP4836	NP4836PP	45.00x33.00 (991x838)	50.00 (1270)	49.00 (1245)	27.00 (686)	13.50 (343)	

* Back panels must be ordered separately.

RHC SERIES ENCLOSURES
"MEDIUM" NEMA 3R HINGED-COVER WALL-MOUNT



- NOTES:**
1. RHC303012 & LARGER HAVE 0.38" X 0.63" MOUNTING SLOTS.
 2. (1) 1/4-TURN LATCH IS PROVIDED WHEN "H" IS LESS THAN 30.00".
 (2) 1/4-TURN LATCHES ARE PROVIDED WHEN "H" IS 30.00" OR GREATER.



LOH121206

Industry Standards

UL 50, Type 1 & 3R
CSA Certified, Type 1 & 3R
NEMA/EEMAC Type 1 & 3R

 UL File E6924

 CSA File LL66078

FEATURES-SPECIFICATIONS

Applications

Designed for use as wiring boxes and junction boxes. Provides protection in outdoor installations against rain, sleet, and snow, or indoors against dripping water.

Construction

- Bodies and doors are fabricated from carbon steel
- Integrated drip cap
- Door is hinged on the left side with lift-off hinges

- No knockouts
- Mounting holes on the back of the enclosure
- Doors are securely fastened with a padlockable draw latch
- Grounding provisions are provided

Finish

- ANSI-61 gray polyester powder inside and out
- **Optional** back panels are painted with a white polyester powder

Accessories

- Mounting Foot Kit and Panel Mounting Kit (see page B10)
- Back panels (reference table)
- See pages L1-L24

LOH SERIES HINGED-COVER ENCLOSURES

Catalog Number	Enclosure Size HxWxD	Back Panel Catalog Number*	Back Panel Size A x B	C	E	F	G	H	I	J
LOH080604**	8.00x6.00x4.00 (203x152x102)	P0606	4.88x4.88 (124x124)	10.13 (257)	9.13 (232)	4.00 (102)	2.25 (57)	0.31 (8)	1.56 (40)	0.56 (14)
LOH080804**	8.00x8.00x6.00 (203x203x152)	P0806	6.88x4.88 (175x124)	10.13 (257)	9.13 (232)	4.00 (102)	2.25 (57)	0.31 (8)	1.56 (40)	0.56 (14)
LOH080806**	8.00x8.00x6.00 (203x203x152)	P0806	6.88x4.88 (175x124)	10.13 (257)	9.13 (232)	4.00 (102)	2.25 (57)	0.31 (8)	1.56 (40)	0.56 (14)
LOH100806	10.00x8.00x6.00 (254x203x152)	P0808	6.88x6.88 (175x175)	12.13 (308)	11.13 (283)	4.00 (102)	2.25 (57)	0.31 (8)	1.56 (40)	0.56 (14)
LOH121006	12.00x10.00x6.00 (305x254x152)	P1010	8.88x8.88 (226x226)	14.13 (359)	13.13 (334)	4.00 (102)	2.25 (57)	0.31 (8)	1.56 (40)	0.56 (14)
LOH121206	12.00x12.00x6.00 (305x305x152)	P1210	10.88x8.88 (276x226)	14.13 (359)	13.13 (334)	4.00 (102)	2.25 (57)	0.31 (8)	1.56 (40)	1.56 (40)
LOH141206	14.00x12.00x6.00 (355x305x152)	P1212	10.88x10.88 (276x276)	16.13 (409)	15.13 (384)	4.00 (102)	2.25 (57)	0.31 (8)	1.56 (40)	0.56 (14)
LOH161206	16.00x12.00x6.00 (406x305x152)	P1412	12.88x10.88 (327x175)	18.13 (461)	17.13 (435)	4.00 (102)	2.25 (57)	0.31 (8)	1.56 (40)	0.56 (14)
LOH161606	16.00x16.00x6.00 (406x406x152)	NP1616	13.00x13.00 (330x330)	18.13 (461)	17.19 (437)	13.00 (330)	13.00 (330)	0.88 (22)	1.50 (38)	1.50 (38)
LOH181806	18.00x18.00x6.00 (457x457x152)	NP1818	13.88x13.88 (352x352)	20.13 (511)	19.13 (485)	13.00 (330)	13.00 (330)	0.88 (22)	1.50 (38)	1.50 (38)
LOH201606	20.00x16.00x6.00 (508x406x152)	NP2016	17.00x13.00 (432x330)	22.19 (564)	21.19 (538)	13.00 (330)	13.00 (330)	0.88 (22)	1.50 (38)	1.50 (38)
LOH202008	20.00x20.00x8.00 (508x508x203)	NP2020	17.00x17.00 (432x432)	22.19 (564)	21.19 (538)	13.00 (330)	13.00 (330)	0.88 (22)	1.50 (38)	1.50 (38)
LOH242008	24.00x20.00x8.00 (610x508x203)	NP2420	21.00x17.00 (533x432)	26.19 (665)	25.19 (640)	13.00 (330)	13.00 (330)	0.88 (22)	1.50 (38)	1.50 (38)
LOH242408	24.00x24.00x8.00 (610x610x203)	NP2424	21.00x21.00 (533x533)	26.19 (665)	25.19 (640)	13.00 (330)	13.00 (330)	0.88 (22)	1.50 (38)	1.50 (38)
LOH302408	30.00x24.00x8.00 (762x610x203)	NP3024	27.00x21.00 (686x533)	32.19 (818)	21.19 (538)	13.00 (330)	13.00 (330)	0.88 (22)	1.50 (38)	1.50 (38)

*Back panels must be ordered separately. When installing a back panel, a panel mounting kit is required. See page B10.

** Enclosure has one latch only.

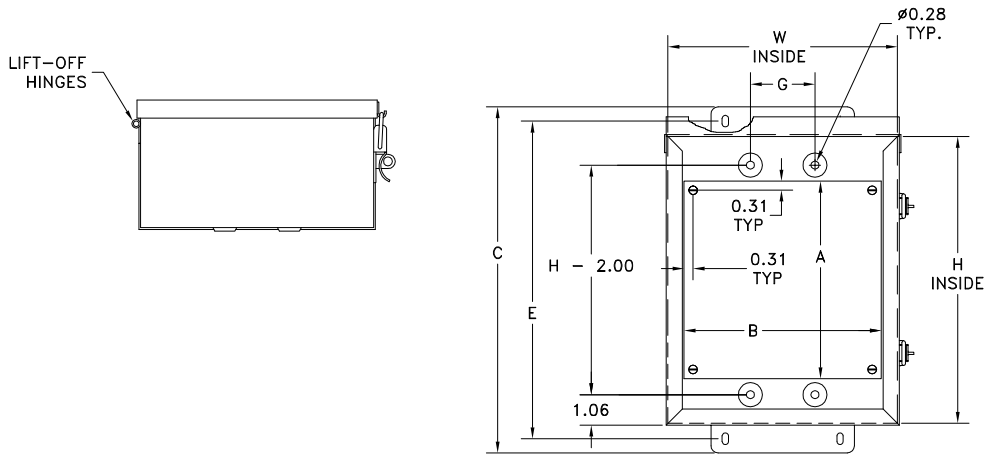
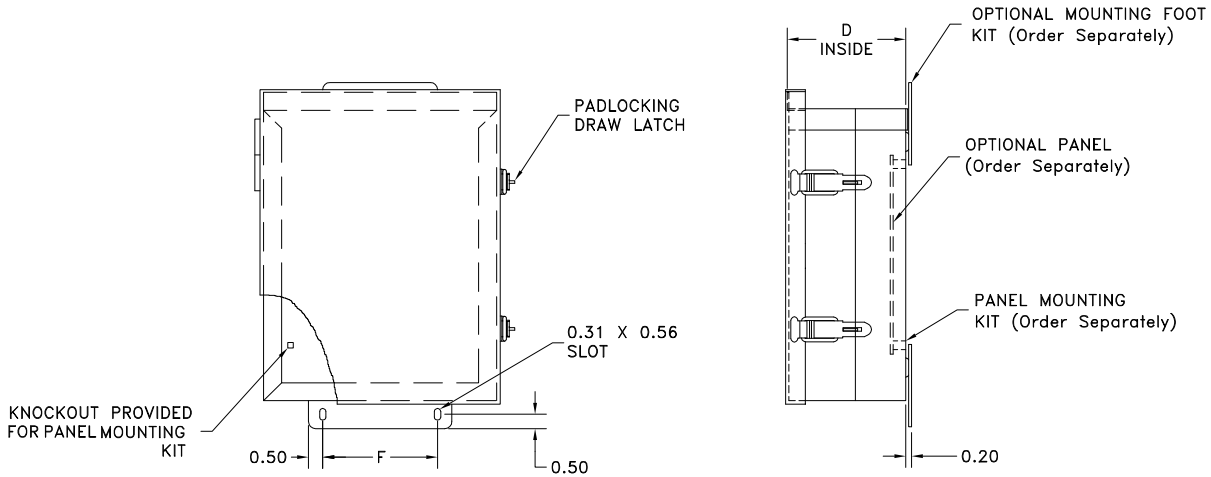
Note: If mounting feet are required, See page B10 for options.

PANEL MOUNTING KIT

Catalog Number	Description
WAPMK3RL016	Panel Mounting Kit for Enclosures 16x12x6 and smaller
WAPMK3RL014	Panel Mounting Kit for Enclosures 16x16x6 and larger

MOUNTING FOOT KIT (OPTIONAL)

Catalog Number	Description	Overall Width of Foot	Hole Spacing
WAMFK3RL016	Mounting Foot Kit for Enclosures 16x12x6 and smaller	5.00 (127)	4.00 (102)
WAMFK3RL014	Mounting Foot Kit for Enclosures 16x16x6 and larger	14.00 (356)	13.00 (330)



View With Cover Removed
& Panel Installed




WCT242412

Industry Standards

UL 50, Type 1 & 3R
CSA Certified, Type 1 & 3R
NEMA/EEMAC Type 1 & 3R

 UL File E23553

 CSA File LL66078

FEATURES-SPECIFICATIONS

Applications

Designed for use as transformer housing, junction boxes, and service boxes.

Construction

- A slip-on removable cover is securely fastened with plated screws located along the bottom edge of the enclosure

- No gasketing is required
- Mounting holes on the back of the enclosure
- Door handles are provided
- Hasp for padlocking and provisions for meter seal are provided
- For removal of cover, move downward, then outward

Finish

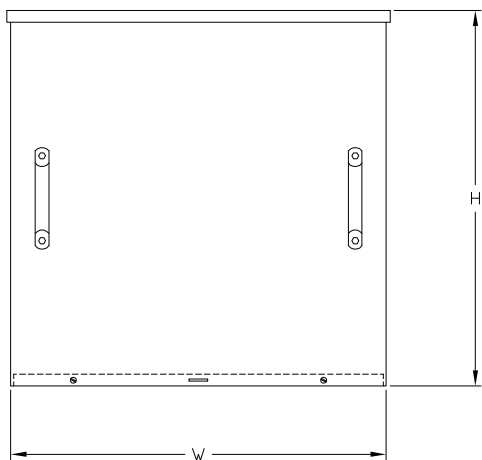
- ANSI-61 gray polyester powder inside and out

Accessories

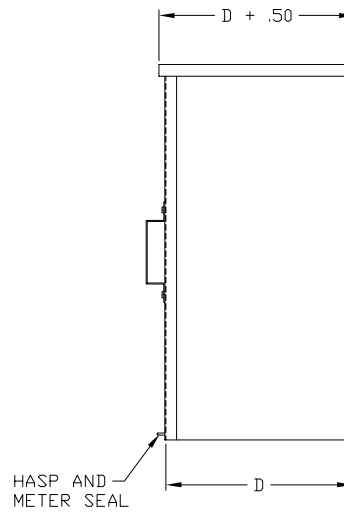
- See pages L1-L24

WCT SERIES SCREW-COVER ENCLOSURES

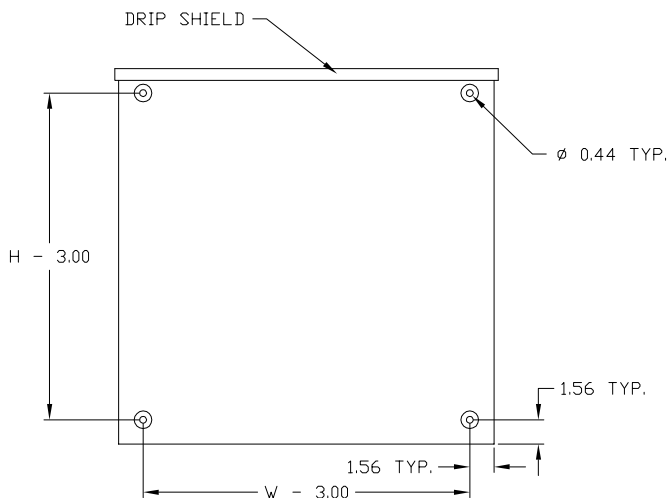
Catalog Number	Enclosure Size HxWxD
WCT242412	24.00x24.00x12.00 (610x610x305)
WCT303012	30.00x30.00x12.00 (762x762x305)
WCT363012	36.00x30.00x12.00 (914x762x305)
WCT363612	36.00x36.00x12.00 (914x914x305)
WCT483616	48.00x36.00x16.00 (1220x914x406)



FRONT VIEW



RIGHT SIDE



REAR VIEW



CTSD242412

Industry Standards
UL Listed Type 3R

 UL File E23553

 CSA File LL66078

FEATURES-SPECIFICATIONS

Application

Designed as a housing for current and voltage transformers, recorders, meters, junction box, service box, relay and/or for terminal instrumentation.

Construction

- Bodies and doors are fabricated from carbon steel

- Seams are continuously welded and ground smooth, weep hole included
- Drip shield
- Lift-off hinges, gasketed doors
- Supplied with non-locking quarter turn latch
- Meter seal provisions are provided

- Mounting holes on the back of the enclosure
- Supplied with studs in the back of the enclosure to support **optional** wood back panel

Finish

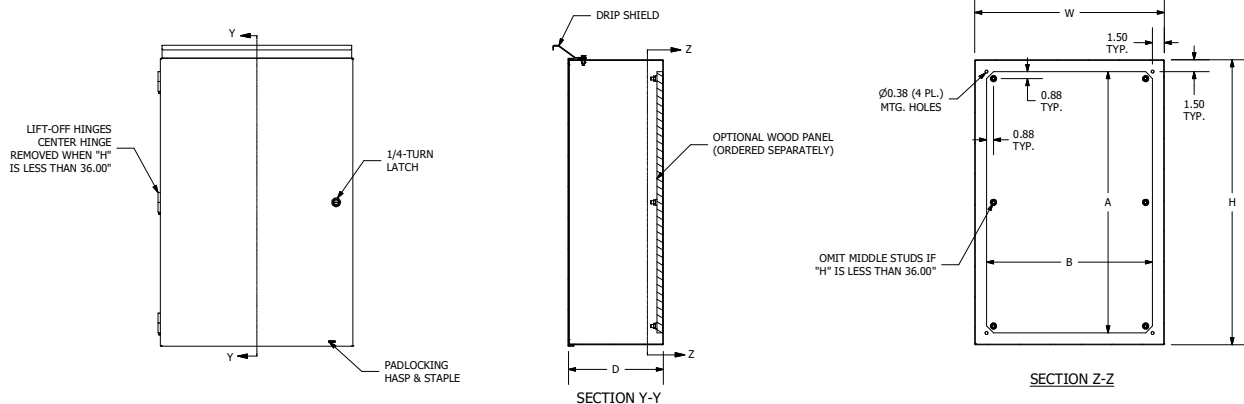
- ANSI 61 polyester powder inside and out

CT SERIES SINGLE DOOR HINGED-COVER ENCLOSURES

Catalog Number	Enclosure Size HxWxD	Back Panel Catalog Number	Back Panel Size AxB
CTSD121810	18.00x12.00x10.00 (457x305x254)	WBP1812	15x9
CTSD202010	20.00x20.00x10.00 (508x508x254)	WBP2020	17x17
CTSD182410	24.00x18.00x10.00 (610x457x254)	WBP2418	21x15
CTSD202412	24.00x20.00x12.00 (610x508x305)	WBP2420	21x17
CTSD242412	24.00x24.00x12.00 (610x610x305)	WBP2424	21x21
CTSD243012	30.00x24.00x12.00 (762x610x305)	WBP3024	27x21
CTSD243612	36.00x24.00x12.00 (914x610x305)	WBP3624	33x21
CTSD303612	36.00x30.00x12.00 (914x762x305)	WBP3630	33x27

NOTE: Second numerical value of catalog # represents height.

* Back panels must be ordered separately.





CTDD363612

Industry Standards UL Listed Type 3R

UL File E23553

CSA File LL66078

FEATURES-SPECIFICATIONS

Applications

Designed as a housing for current and voltage transformers, recorders, meters, junction, service box, relay and/or for terminal instrumentation.

Construction

- Bodies and doors are fabricated from carbon steel

- Seams are continuously welded and ground smooth, weep hole included
- Drip shield
- Lift-off hinges, gasketed doors
- Supplied with non-locking "T" handle
- Meter seal provisions are provided

- Mounting holes on the back of the enclosure
- Supplied with studs in the back of the enclosure to support **optional** wood back panel

Finish

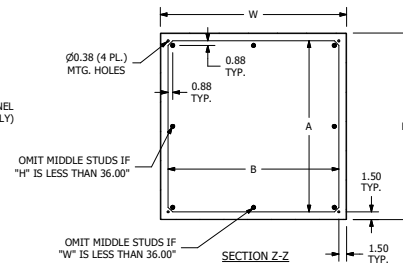
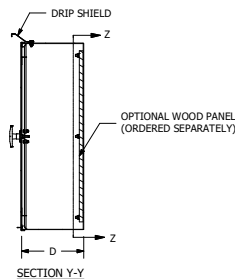
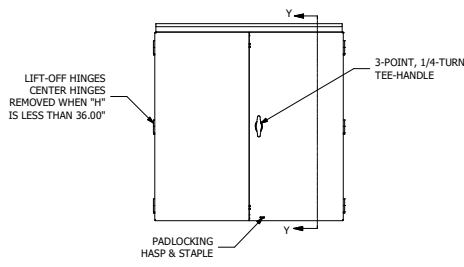
- ANSI 61 polyester powder inside and out

CT SERIES DOUBLE DOOR HINGED-COVER ENCLOSURES

Catalog Number	Enclosure Size HxWxD	Back Panel Catalog Number*	Back Panel Size AxB
CTDD302410	24.00x30.00x10.00 (610x762x254)	WBP3024	21x27
CTDD303012	30.00x30.00x12.00 (762x762x254)	WBP3030DD	27x27
CTDD303612	36.00x30.00x12.00 (914x762x254)	WBP3630	33x27
CTDD362412	24.00x36.00x12.00 (610x914x254)	WBP3624	21x33
CTDD363012	30.00x36.00x12.00 (762x914x254)	WBP3630	27x33
CTDD363212	32.00x36.00x12.00 (813x914x254)	WBP3236DD	29x33
CTDD363612	36.00x36.00x12.00 (914x914x254)	WBP3636DD	33x33
CTDD363616	36.00x36.00x16.00 (914x914x406)	WBP3636DD	33x33
CTDD443012	30.00x44.00x12.00 (762x1118x305)	WBP3044DD	27x41
CTDD424212	42.00x42.00x12.00 (1067x1067x305)	WBP4242DD	39x39
CTDD484812	48.00x48.00x12.00 (1219x1219x406)	WBP4848DD	45x45
CTDD484816	48.00x48.00x16.00 (1219x1219x406)	WBP4848DD	45x45

NOTE: Second numerical value of catalog # represents height.

* Back panels must be ordered separately.



Section C Index

B Series

NEMA 12 JIC Lift-Off Cover Wall-Mount . C2

B-CH Series

NEMA 12 JIC Continuous Hinge
Wall-Mount C4

Large B-CH Series

NEMA 12 JIC Continuous Hinge
Wall-Mount C6

B-CHQR Series

NEMA 12 JIC Continuous Hinge
Quick-Release Wall-Mount C8

B-SC Series

NEMA 12 JIC Screw-Cover Wall-Mount . C10

WA-GIE Series

NEMA 12 JIC Hinged Screw-Cover
Wall-Mount C12

JIC Handy Series

NEMA 12 JIC Screw-Cover Wall-Mount . C14

B-CHFTC Series

JIC Continuous Hinge Wall-Mount C15

N12 Series

NEMA 12 Single Door Wall-Mount C16

WA-WF Series

NEMA 12 Two Door Wall-Mount..... C19

WA-FM Series

NEMA 12 Single Door Flush
Wall-Mount C21

N12 Series

NEMA 12 Two Door Floor-Mount C23

WA-FS Series

NEMA 12 Single Door Freestanding C25

WA-FSD Series

NEMA 12 Two Door Freestanding C27

WA-FSDA Series

NEMA 12 Single Door Dual Access
Freestanding C28

WA-FSDAD Series

NEMA 12 Two Door Dual Access
Freestanding C29

Freestanding Accessories C30

WA-E Series

NEMA 12 Multi-Door Freestanding .. C33-36

NEMA 12 ENCLOSURES



**B SERIES ENCLOSURES
NEMA 12 JIC LIFT-OFF COVER WALL-MOUNT**




B080804

Industry Standards

- UL 50, Type 12 & 13
(6.00" x 6.00" x 4.00" & above)
- UL 508A, Type 12 & 13
(6.00" x 4.00" x 4.00" & smaller)
- CSA Certified, Type 12
- NEMA/EEMAC Type 12 & 13

 UL Files E23553, E64791

 CSA File LL66078

FEATURES-SPECIFICATIONS

Applications

The B Series JIC box is a standard of the automotive industry but has wide applications in other industries. The box incorporates a chain secured lift-off cover and is designed to safeguard components against dust, dirt, oil, and water.

Construction

- Bodies and doors are fabricated from carbon steel
- Seams are continuously welded and ground smooth

- Lids are sealed with a closed cell oil resistant neoprene gasket
- External mounting plates on the top and bottom of the enclosure
- Weldnuts are provided on models 6.00" x 4.00" and larger to secure optional back panel
- External screw clamps are quick and easy to operate
- Lift-off cover design. Chain holds the cover to the box when the cover is removed
- Grounding provisions are provided

Finish

- ANSI 61 gray polyester powder inside and out
- **Optional** back panels are painted with a white polyester powder
- **Optional** perforated panels are painted with a white polyester powder
- **Optional** "G" panels are pre-galvanized steel

Accessories

- Back panels (reference table)
- See pages L1-L24

B SERIES JIC LIFT-OFF COVER ENCLOSURES

Catalog Number	Enclosure Size HxWxD	Back Panel Catalog Number*			Back Panel Size A x B	Mounting Size C x E
		White	"G"	Perforated		
B040403	4.00x4.00x3.00 (102x102x76)	—	—	—	—	4.75x2.00 (121x51)
B040404	4.00x4.00x4.00 (102x102x102)	—	—	—	—	4.75x2.00 (121x51)
B060403	6.00x4.00x3.00 (152x102x76)	P0604	P0604G	P0604PP	4.88x2.88 (124x73)	6.75x2.00 (171x51)
B060404	6.00x4.00x4.00 (152x102x102)	P0604	P0604G	P0604PP	4.88x2.88 (124x73)	6.75x2.00 (171x51)
B060604	6.00x6.00x4.00 (152x152x102)	P0606	P0606G	P0606PP	4.88x4.88 (124x124)	6.75x4.00 (171x102)
B080603	8.00x6.00x3.50 (203x152x89)	P0806	P0806G	P0806PP	6.88x4.88 (175x124)	8.75x4.00 (222x102)
B080606	8.00x6.00x6.00 (203x152x152)	P0806	P0806G	P0806PP	6.88x4.88 (175x124)	8.75x4.00 (222x102)
B080804	8.00x8.00x4.00 (203x203x102)	P0808	P0808G	P0808PP	6.88x6.88 (175x175)	8.75x6.00 (222x152)

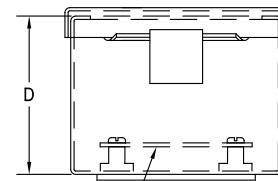
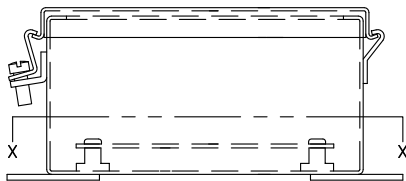
*Back panels must be ordered separately.

continued on page C3

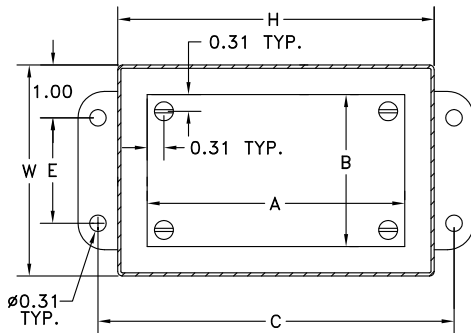
B SERIES ENCLOSURES NEMA 12 JIC LIFT-OFF COVER WALL-MOUNT

B SERIES JIC LIFT-OFF COVER ENCLOSURES (CONT.)

Catalog Number	Enclosure Size HxWxD	Back Panel Catalog Number*			Back Panel Size A x B	Mounting Size C x E
		White	"G"	Perforated		
B100804	10.00x8.00x4.00 (254x203x102)	P1008	P1008G	P1008PP	8.88x6.88 (226x175)	10.75x6.00 (273x152)
B100806	10.00x8.00x6.00 (254x203x152)	P1008	P1008G	P1008PP	8.88x6.88 (226x175)	10.75x6.00 (273x152)
B121005	12.00x10.00x5.00 (305x254x127)	P1210	P1210G	P1210PP	10.88x8.88 (276x226)	12.75x8.00 (324x203)
B121206	12.00x12.00x6.00 (305x305x152)	P1212	P1212G	P1212PP	10.88x10.88 (276x276)	12.75x10.00 (324x254)
B141206	14.00x12.00x6.00 (356x305x152)	P1412	P1412G	P1412PP	12.88x10.88 (327x276)	14.75x10.00 (375x254)
B161406	16.00x14.00x6.00 (406x356x152)	P1614	P1614G	P1614PP	14.88x12.88 (378x327)	16.75x12.00 (425x305)

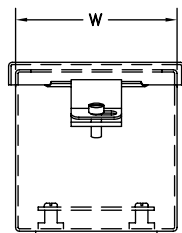


PANEL (Order Separately)

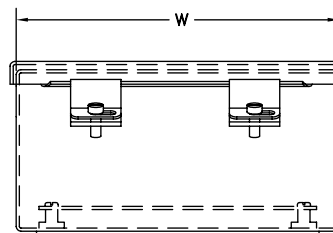


Notes:

1. Panel screws are #10-32 Pan Head.
2. Two clamps are used if W = 8" or more.
3. Chain is supplied but not shown.



VIEW SHOWING CLAMP POSITION
WHEN "W" IS LESS THAN 8"



VIEW SHOWING CLAMP POSITION
WHEN "W" EQUALS 8" OR MORE.

**B-CH SERIES ENCLOSURES
NEMA 12 JIC CONTINUOUS HINGE WALL-MOUNT**



B101006CH

Industry Standards
UL 50, Type 12 & 13
CSA Certified, Type 12
NEMA/EEMAC Type 12 & 13

 UL Files E6924

 CSA File LL66078

FEATURES-SPECIFICATIONS

Applications

Intended for use as electrical junction boxes, terminal wiring boxes, and instrument housing. Hinged door provides convenient access. Designed to provide protection from dust, dirt, oil, and water.

Construction

- Bodies and doors are fabricated from carbon steel
- Seams are continuously welded and ground smooth

- Lids are sealed with a closed cell oil resistant neoprene gasket
- External mounting plates on the top and bottom of the enclosure
- Weldnuts are provided on models 6.00" x 4.00" and larger to secure optional back panel
- External screw clamps are quick and easy to operate
- Continuously hinged door is removable by pulling hinge pin
- Grounding provisions are provided

Finish

- ANSI-61 gray polyester powder inside and out
- **Optional** back panels are painted with a white polyester powder
- **Optional** "G" panels are pre-galvanized steel

Accessories

- Back panels (reference table)
- See pages L1-L24

B-CH SERIES CONTINUOUS HINGE ENCLOSURES

Catalog Number	Enclosure Size HxWxD	Back Panel Catalog Number*			Back Panel Size A x B	Mounting Size C x E
		White	"G"	Perforated		
B040403CH	4.00x4.00x3.00 (102x102x76)	—	—	—	—	4.75x2.00 (121x51)
B040404CH	4.00x4.00x4.00 (102x102x102)	—	—	—	—	4.75x2.00 (121x51)
B060403CH	6.00x4.00x3.00 (152x102x76)	P0604	P0604G	P0604PP	4.88x2.88 (124x73)	6.75x2.00 (171x51)
B060404CH	6.00x4.00x4.00 (152x102x102)	P0604	P0604G	P0604PP	4.88x2.88 (124x73)	6.75x2.00 (171x51)
B060604CH	6.00x6.00x4.00 (152x152x102)	P0606	P0606G	P0606PP	4.88x4.88 (124x124)	6.75x4.00 (171x102)
B080603CH	8.00x6.00x3.50 (203x152x89)	P0806	P0806G	P0806PP	6.88x4.88 (175x124)	8.75x4.00 (222x102)
B080606CH	8.00x6.00x6.00 (203x152x152)	P0806	P0806G	P0806PP	6.88x4.88 (175x124)	8.75x4.00 (222x102)
B080804CH	8.00x8.00x4.00 (203x203x102)	P0808	P0808G	P0808PP	6.88x6.88 (175x175)	8.75x6.00 (222x152)
B100804CH	10.00x8.00x4.00 (254x203x102)	P1008	P1008G	P1008PP	8.88x6.88 (226x175)	10.75x6.00 (273x152)
B100804CHS	10.00x8.00x4.00 (254x203x102)	P1008	P1008G	P1008PP	8.88x6.88 (226x175)	10.75x6.00 (273x152)
B100806CH	10.00x8.00x6.00 (254x203x152)	P1008	P1008G	P1008PP	8.88x6.88 (226x175)	10.75x6.00 (273x152)

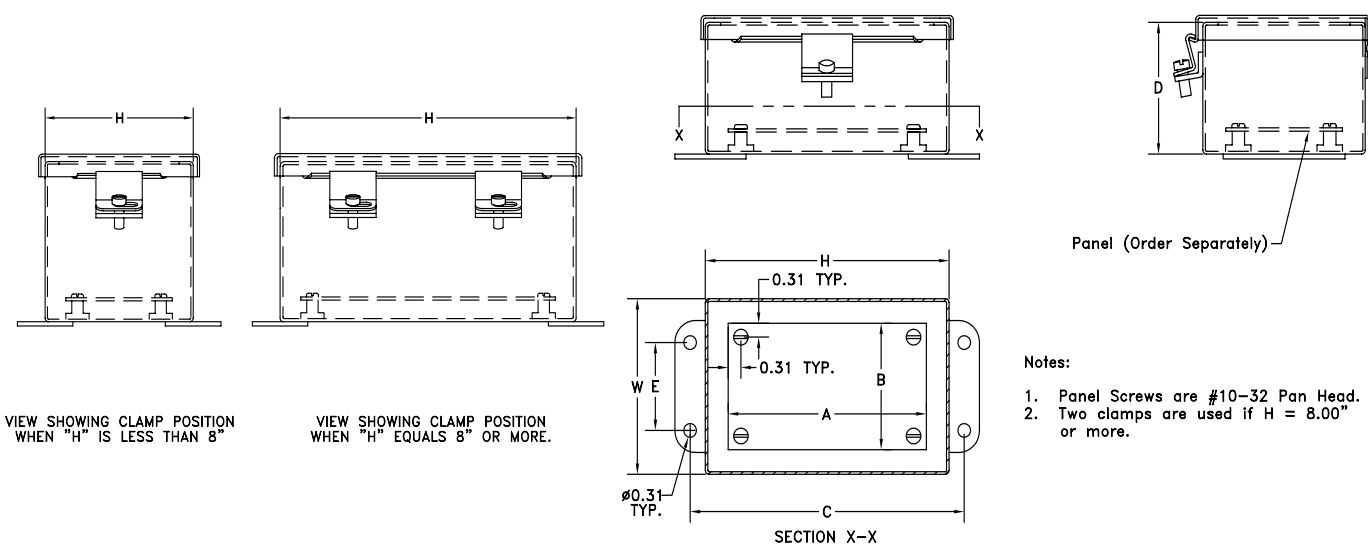
continued on page C5

B-CH SERIES ENCLOSURES NEMA 12 JIC CONTINUOUS HINGE WALL-MOUNT

B-CH SERIES CONTINUOUS HINGE ENCLOSURES (CONT.)

Catalog Number	Enclosure Size HxWxD	Back Panel Catalog Number*			Back Panel Size A x B	Mounting Size C x E
		White	"G"	Perforated		
B101006CH	10.00x10.00x6.00 (254x254x152)	P1010	P1010G	P1010PP	8.88x8.88 (225x225)	10.75x8.00 (273x203)
B120604CH	12.00x6.00x4.00 (305x152x102)	P1206	P1206G	P1206PP	10.88x4.88 (276x124)	12.75x4.00 (324x102)
B121005CH	12.00x10.00x5.00 (254x305x127)	P1210	P1210G	P1210PP	10.88x8.88 (276x226)	12.75x8.00 (324x203)
B121005CHS	12.00x10.00x5.00 (254x305x127)	P1210	P1210G	P1210PP	10.88x8.88 (276x226)	12.75x8.00 (324x203)
B121008CH	12.00x10.00x8.00 (305x254x203)	P1210	P1210G	P1210PP	10.88x8.88 (276x226)	12.75x8.00 (324x203)
B121206CH	12.00x12.00x6.00 (305x305x152)	P1212	P1212G	P1212PP	10.88x10.88 (276x276)	12.75x10.00 (324x254)
B140806CH	14.00x8.00x6.00 (356x203x152)	P1408	P1408G	P1408PP	12.88x6.88 (327x175)	14.75x6.00 (375x152)
B141206CH	14.00x12.00x6.00 (356x305x152)	P1412	P1412G	P1412PP	12.88x10.88 (327x276)	14.75x10.00 (375x254)
B141206CHS	14.00x12.00x6.00 (356x305x152)	P1412	P1412G	P1412PP	12.88x10.88 (327x276)	14.75x10.00 (375x254)
B141208CH	14.00x12.00x8.00 (356x305x203)	P1412	P1412G	P1412PP	12.88x10.88 (327x276)	14.75x10.00 (375x254)
B161006CH	16.00x10.00x6.00 (406x254x152)	P1610	P1610G	P1610PP	14.88x8.88 (378x226)	16.75x8.00 (425x203)
B161406CH	16.00x14.00x6.00 (406x356x152)	P1614	P1614G	P1614PP	14.88x12.88 (378x327)	16.75x12.00 (425x305)
B161406CHS	16.00x14.00x6.00 (406x356x152)	P1614	P1614G	P1614PP	14.88x12.88 (378x327)	16.75x12.00 (425x305)
B161408CH	16.00x14.00x8.00 (406x356x203)	P1614	P1614G	P1614PP	14.88x12.88 (378x327)	16.75x12.00 (425x305)
B161410CH	16.00x14.00x10.00 (406x356x254)	P1614	P1614G	P1614PP	14.88x12.88 (378x327)	16.75x12.00 (425x305)

*Back panels must be ordered separately.



**LARGE B-CH SERIES ENCLOSURES
NEMA 12 JIC CONTINUOUS HINGE WALL-MOUNT**



B202007CH

Industry Standards

UL 50, Type 12 & 13
CSA Certified, Type 12 & 13
NEMA/EEMAC Type 12

 UL File E6924

 CSA File LL66078

FEATURES-SPECIFICATIONS

Applications

Designed to house electrical controls, terminals, instruments and components. Provides protection from dirt, dust, oil and water.

Construction

- Bodies and doors are fabricated from carbon steel
- Seams are continuously welded and ground smooth
- Doors are sealed with a poured in place gasket

- External screw clamps on the door
- Continuously hinged door is removable by pulling hinge pin
- Door and body stiffeners are provided in larger enclosures for added rigidity
- Collar studs for mounting **optional** back panels are provided
- External mounting feet are provided
- Ground stud located in the door

Finish

- ANSI-61 gray polyester powder inside and out
- **Optional** back panels are painted with a white polyester powder
- **Optional** "G" are pre-galvanized steel

Accessories

- Back panels (reference table)
- See pages L1-L24

LARGE B-CH SERIES JIC CONTINUOUS HINGE ENCLOSURES

Catalog Number	Enclosure Size HxWxD	Back Panel Catalog Number*		Back Panel Size A x B	Stiffener	
		White	"G"		Body	Door
B201607CH	20.00x16.00x7.00 (508x406x178)	NP2016	NP2016G	17.00x13.00 (432x330)	No	No
B202007CH	20.00x20.00x7.00 (508x508x178)	NP2020	NP2020G	17.00x17.00 (432x432)	No	No
B242007CH	24.00x20.00x7.00 (610x508x178)	NP2420	NP2420G	21.00x17.00 (533x432)	No	No
B242407CH	24.00x24.00x7.00 (610x610x178)	NP2424	NP2424G	21.00x21.00 (533x533)	No	No
B302007CH	30.00x20.00x7.00 (762x508x178)	NP3020	NP3020G	27.00x17.00 (686x432)	No	No
B362407CH	36.00x24.00x7.00 (914x610x178)	NP3624	NP3624G	33.00x21.00 (838x533)	No	No
B201609CH	20.00x16.00x9.00 (508x406x229)	NP2016	NP2016G	17.00x13.00 (432x330)	No	No
B202009CH	20.00x20.00x9.00 (508x508x229)	NP2020	NP2020G	17.00x17.00 (432x432)	No	No
B242009CH	24.00x20.00x9.00 (610x508x229)	NP2420	NP2420G	21.00x17.00 (533x432)	No	No
B242409CH	24.00x24.00x9.00 (610x610x229)	NP2424	NP2424G	21.00x21.00 (533x533)	No	No
B302009CH	30.00x20.00x9.00 (762x508x229)	NP3020	NP3020G	27.00x17.00 (686x432)	No	No

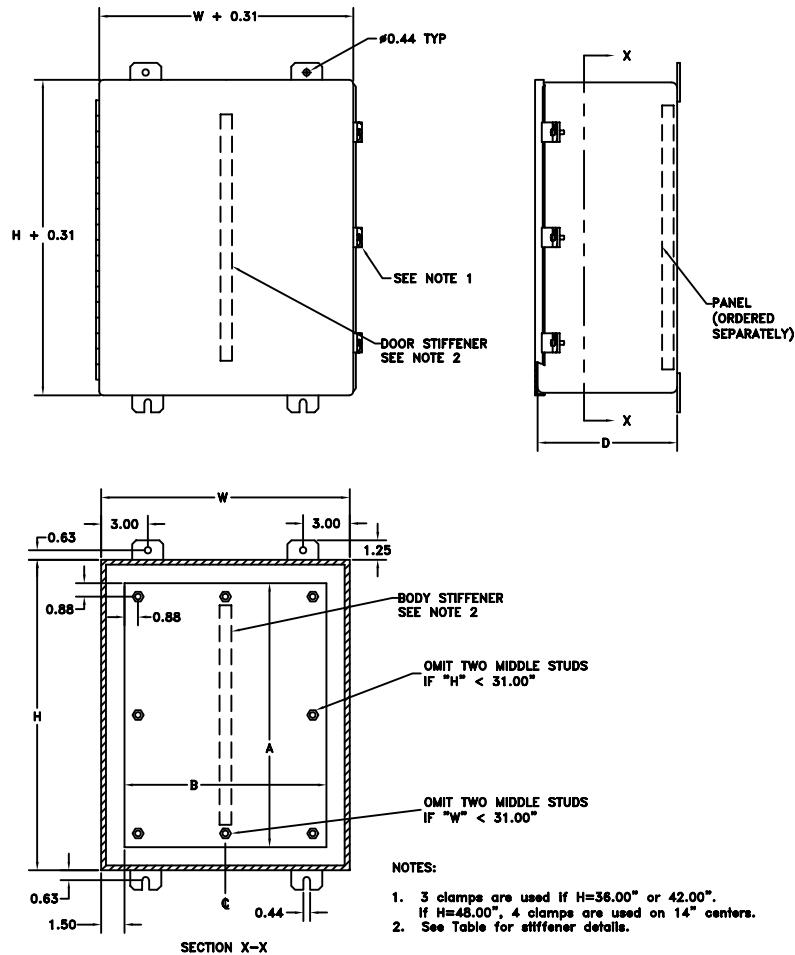
continued on page C7

LARGE B-CH SERIES ENCLOSURES NEMA 12 JIC CONTINUOUS HINGE WALL-MOUNT

LARGE B-CH SERIES JIC CONTINUOUS HINGE ENCLOSURES (CONT.)

Catalog Number	Enclosure Size HxWxD	Back Panel Catalog Number*		Back Panel Size A x B	Stiffener	
		White	"G"		Body	Door
B302409CH	30.00x24.00x9.00 (762x610x229)	NP3024	NP3024G	27.00x21.00 (686x533)	No	No
B362409CH	36.00x24.00x9.00 (914x610x229)	NP3624	NP3624G	33.00x21.00 (838x533)	No	No
B363009CH	36.00x30.00x9.00 (914x762x229)	NP3630	NP3630G	33.00x27.00 (838x686)	Yes	No
B423609CH	42.00x36.00x9.00 (1067x914x229)	NP4236	NP4236G	39.00x33.00 (991x838)	Yes	Yes
B242411CH	24.00x24.00x11.00 (610x610x279)	NP2424	NP2424G	21.00x21.00 (533x533)	No	No
B362411CH	36.00x24.00x11.00 (914x610x279)	NP3624	NP3624G	33.00x21.00 (838x533)	No	No
B483611CH	48.00x36.00x11.00 (1219x914x279)	NP4836	NP4836G	45.00x33.00 (1143x838)	Yes	Yes
B302413CH	30.00x24.00x13.00 (762x610x330)	NP3024	NP3024G	27.00x21.00 (686x533)	No	No
B363013CH	36.00x30.00x13.00 (914x762x330)	NP3630	NP3630G	33.00x27.00 (838x686)	Yes	No

* Back panels must be ordered separately.



B-CHQR SERIES ENCLOSURES NEMA 12 JIC CONTINUOUS HINGE QUICK-RELEASE WALL-MOUNT



B060604CHQR

Industry Standards

UL 50, Type 12 & 13
CSA Certified, Type 12
NEMA/EEMAC Type 12 & 13

 UL Files E6924

 CSA File LL66078

FEATURES-SPECIFICATIONS

Applications

Intended for use as electrical junction boxes, terminal wiring boxes, and instrument housing. Hinged door with quick-release latching provides convenient access. Designed to provide protection from dust, dirt, oil, and water.

Construction

- Bodies and doors are fabricated from carbon steel
- Seams are continuously welded and ground smooth

- Lids are sealed with a closed cell oil resistant neoprene gasket
- External mounting plates on the top and bottom of the enclosure
- Weldnuts are provided on models 6.00" x 4.00" and larger to secure **optional** back panel
- External quick-release latches secure cover
- Continuously hinged door is removable by pulling the hinge pin
- Grounding provisions are provided

Finish

- ANSI-61 gray polyester powder inside and out
- **Optional** back panels are painted with a white polyester powder
- **Optional** perforated panels are painted with a white polyester powder
- **Optional** "G" panels are pre-galvanized steel

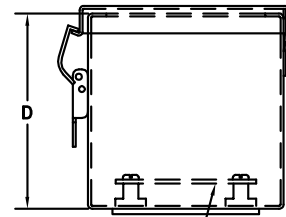
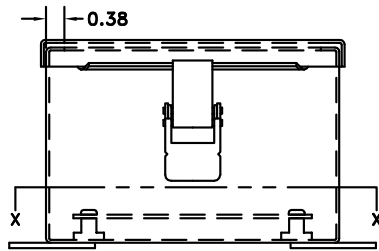
Accessories

- Back panels (reference table)
- See pages L1-L24

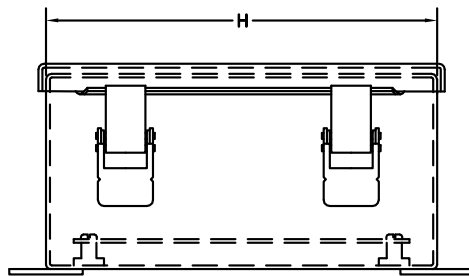
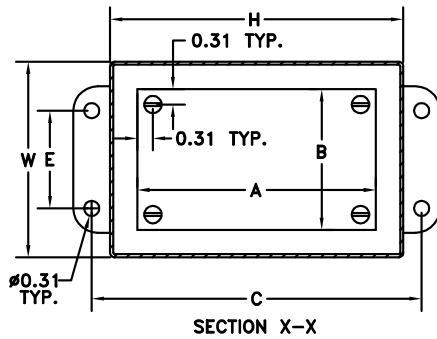
B-CHQR SERIES JIC CONTINUOUS HINGE QUICK-RELEASE ENCLOSURES

Catalog Number	Enclosure Size HxWxD	Back Panel Catalog Number*			Back Panel Size A x B	Mounting Size C x E
		White	"G"	Perforated		
B060403CHQR	6.00x4.00x3.00 (152x102x76)	P0604	P0604G	P0604PP	4.88x2.88 (124x73)	6.75x2.00 (171x51)
B060604CHQR	6.00x6.00x4.00 (152x152x102)	P0606	P0606G	P0606PP	4.88x4.88 (124x124)	6.75x4.00 (171x102)
B080603CHQR	8.00x6.00x3.50 (203x152x89)	P0806	P0806G	P0806PP	6.88x4.88 (175x124)	8.75x4.00 (222x102)
B100804CHQR	10.00x8.00x4.00 (254x203x102)	P1008	P1008G	P1008PP	8.88x6.88 (226x175)	10.75x6.00 (273x152)
B121005CHQR	12.00x10.00x5.00 (305x254x127)	P1210	P1210G	P1210PP	10.88x8.88 (276x226)	12.75x8.00 (324x203)
B141206CHQR	14.00x12.00x6.00 (356x305x152)	P1412	P1412G	P1412PP	12.88x10.88 (327x276)	14.75x10.00 (375x254)
B161406CHQR	16.00x14.00x6.00 (406x356x152)	P1614	P1614G	P1614PP	14.88x12.88 (378x327)	16.75x12.00 (425x305)

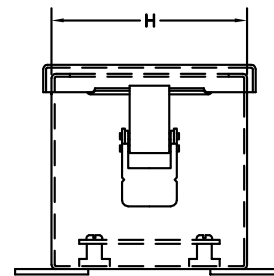
*Back panels must be ordered separately.



Panel (Order Separately)



VIEW SHOWING CLAMP POSITION
WHEN "H" EQUALS 8" OR MORE.



VIEW SHOWING CLAMP POSITION
WHEN "H" IS LESS THAN 8"


**B-SC SERIES ENCLOSURES
NEMA 12 JIC SCREW-COVER WALL-MOUNT**



B060604SC

Industry Standards

UL 50, Type 12 & 13
(6" X 6" X 4" & above)
UL 508A, Type 12 & 13
(6" X 4" X 4" & smaller)
CSA Certified, Type 12
NEMA/EEMAC Type 12 & 13

 UL Files E23553, E64791

 CSA File LL66078

FEATURES-SPECIFICATIONS

Applications

Designed for use as instrument housing, electrical control enclosures, terminal wiring boxes or electrical junction boxes. Provides protection from dirt, dust, oil and water.

Construction

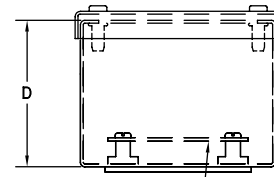
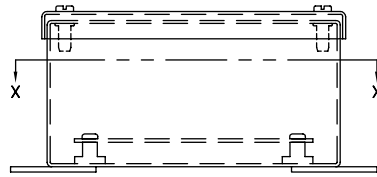
- Bodies and doors are fabricated from carbon steel
- Seams are continuously welded and ground smooth
- Lids are sealed with a closed cell oil resistant neoprene gasket
- External mounting plates on the top and bottom of the enclosure
- Weldnuts are provided on models 6.00" x 4.00" and larger to secure optional back panel
- Captivated cover screws are provided which thread into sealed wells to prevent leakage through the cover
- Grounding provisions are provided

Finish

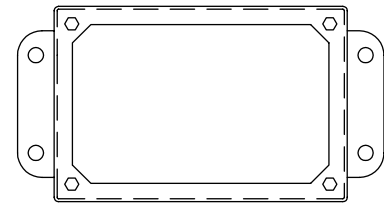
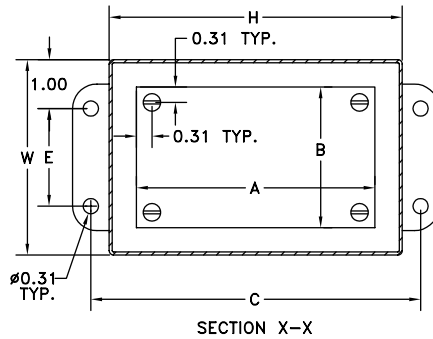
- ANSI-61 gray polyester powder inside and out
- **Optional** back panels are painted with a white polyester powder
- **Optional** perforated panels are painted with a white polyester powder
- **Optional** "G" panels are pre-galvanized steel

Accessories

- Back panels (reference table)
- See pages L1-L24



Panel (Order Separately)



TOP VIEW
COVER REMOVED

B-SC SERIES JIC SCREW-COVER ENCLOSURES

Catalog Number	Enclosure Size HxWxD	Back Panel Catalog Number*			Back Panel Size A x B	Mounting Size C x E
		White	"G"	Perforated		
B040403SC	4.00x4.00x3.00 (102x102x76)	—	—	—	—	4.75x2.00 (121x51)
B040404SC	4.00x4.00x4.00 (102x102x102)	—	—	—	—	4.75x2.00 (121x51)
B060403SC	6.00x4.00x3.00 (152x102x76)	P0604	P0604G	P0604PP	4.88x2.88 (124x73)	6.75x2.00 (171x51)
B060404SC	6.00x4.00x4.00 (152x102x102)	P0604	P0604G	P0604PP	4.88x2.88 (124x73)	6.75x2.00 (171x51)
B060604SC	6.00x6.00x4.00 (152x152x102)	P0606	P0606G	P0606PP	4.88x4.88 (124x124)	6.75x4.00 (171x102)
B080603SC	8.00x6.00x3.50 (203x152x89)	P0806	P0806G	P0806PP	6.88x4.88 (175x124)	8.75x4.00 (222x102)
B080606SC	8.00x6.00x6.00 (203x152x152)	P0806	P0806G	P0806PP	6.88x4.88 (175x124)	8.75x4.00 (222x102)
B080804SC	8.00x8.00x4.00 (203x203x102)	P0808	P0808G	P0808PP	6.88x6.88 (175x175)	8.75x6.00 (222x152)
B100804SC	10.00x8.00x4.00 (254x203x102)	P1008	P1008G	P1008PP	8.88x6.88 (226x175)	10.75x6.00 (273x152)
B100806SC	10.00x8.00x6.00 (254x203x152)	P1008	P1008G	P1008PP	8.88x6.88 (226x175)	10.75x6.00 (273x152)
B101004SC	10.00x10.00x4.00 (254x254x102)	P1010	P1010G	P1010PP	8.88x8.88 (225x225)	10.75x8.00 (273x203)
B101006SC	10.00x10.00x6.00 (254x254x152)	P1010	P1010G	P1010PP	8.88x8.88 (225x225)	10.75x8.00 (273x203)
B121005SC	12.00x10.00x5.00 (305x254x127)	P1210	P1210G	P1210PP	10.88x8.88 (276x226)	12.75x8.00 (324x203)
B121206SC	12.00x12.00x6.00 (305x305x152)	P1212	P1212G	P1212PP	10.88x10.88 (276x276)	12.75x10.00 (324x254)
B141206SC	14.00x12.00x6.00 (356x305x152)	P1412	P1412G	P1412PP	12.88x10.88 (327x276)	14.75x10.00 (375x254)
B161406SC	16.00x14.00x6.00 (406x356x152)	P1614	P1614G	P1614PP	14.88x12.88 (378x327)	16.75x12.00 (425x305)

*Back panels must be ordered separately.

**WA-GIE SERIES ENCLOSURES
NEMA 12 JIC HINGED SCREW-COVER WALL-MOUNT**

WA060604GIE
Industry Standards

UL 50, Type 12 & 13
CSA Certified, Type 12
NEMA/EEMAC Type 12 & 13

 UL File E6924

 CSA File LL66078

FEATURES-SPECIFICATIONS
Applications

Designed for use as instrument housing, electrical control enclosures, terminal wiring boxes or electrical junction boxes. Provides protection from dirt, dust, oil and water.

Construction

- Bodies and doors are fabricated from carbon steel
- Seams are continuously welded and ground smooth

- Lids are sealed with a closed cell oil resistant neoprene strip gasket
- Cover is secured by continuous hinge
- Captivated door screws thread into sealed wells
- No mounting feet or mounting holes are provided
- Weldnuts are provided to mount **optional** back panels
- Grounding provisions are provided

Finish

- ANSI-61 gray polyester powder inside and out
- **Optional** back panels are painted with a white polyester powder
- **Optional** "G" panels are pre-galvanized

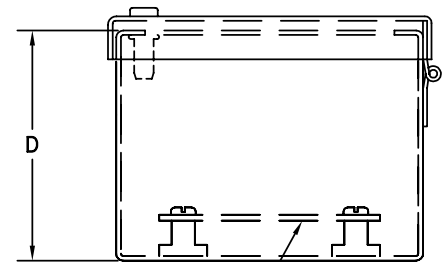
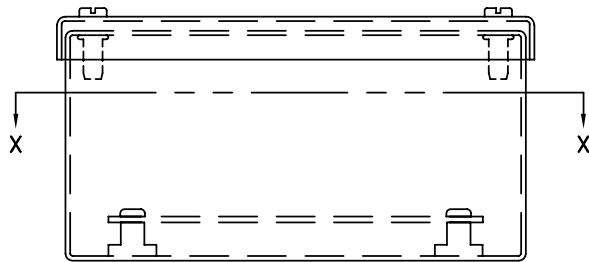
Accessories

- Back panels (reference table)
- See pages L1-L24

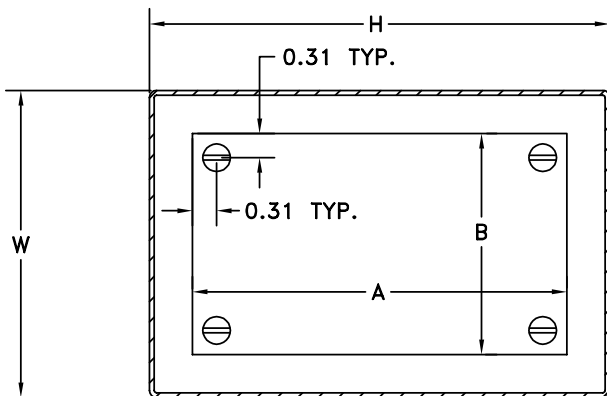
WA-GIE SERIES JIC HINGED SCREW-COVER ENCLOSURES

Catalog Number	Enclosure Size HxWxD	Back Panel Catalog Number*		Back Panel Size A x B
		White	"G"	
WA060604GIE	6.00x6.00x4.00 (152x152x102)	N1P0606	N1P0606G	4.25x4.25 (108x108)
WA080604GIE	8.00x6.00x4.00 (203x152x102)	N1P0608	N1P0608G	6.25x4.25 (159x108)
WA080804GIE	8.00x8.00x4.00 (203x203x102)	N1P0808	N1P0808G	6.25x6.25 (159x159)
WA080806GIE	8.00x8.00x6.00 (203x203x152)	N1P0808	N1P0808G	6.25x6.25 (159x159)
WA100804GIE	10.00x8.00x4.00 (254x203x102)	N1P0810	N1P0810G	8.25x6.25 (210x159)
WA100806GIE	10.00x8.00x6.00 (254x203x152)	N1P0810	N1P0810G	8.25x6.25 (210x159)
WA101006GIE	10.00x10.00x6.00 (254x254x152)	N1P1010	N1P1010G	8.25x8.25 (210x210)
WA121004GIE	12.00x10.00x4.00 (305x254x102)	N1P1012	N1P1012G	10.25x8.25 (260x210)
WA121006GIE	12.00x10.00x6.00 (305x254x152)	N1P1012	N1P1012G	10.25x8.25 (260x210)
WA121206GIE	12.00x12.00x6.00 (305x305x152)	N1P1212	N1P1212G	10.25x10.25 (260x260)
WA141206GIE	14.00x12.00x6.00 (356x305x152)	N1P1214	N1P1214G	12.25x10.25 (311x260)

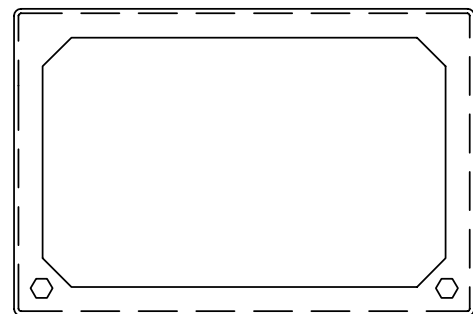
* Back panels must be ordered separately.



Panel (Order Separately)



SECTION X-X



TOP VIEW
COVER REMOVED

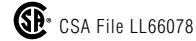
**JIC HANDY SERIES ENCLOSURES
NEMA 12 JIC SCREW-COVER WALL-MOUNT**



JIC040403

Industry Standards

UL508A, Type 12, 13
CSA Certified, Type 12
NEMA/EEMAC Type 12 & 13



FEATURES-SPECIFICATIONS

Applications

Ideal for use where protection from dirt, dust, oil and water is needed. Particularly suitable for use with liquid-tight flexible conduit.

Construction

- Bodies and doors are fabricated from carbon steel
- External mounting plates on the top and bottom of the enclosure
- Covers are sealed with a closed cell oil resistant neoprene gasket

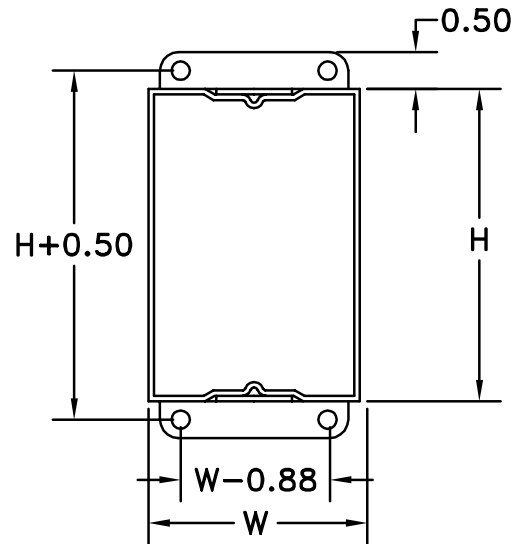
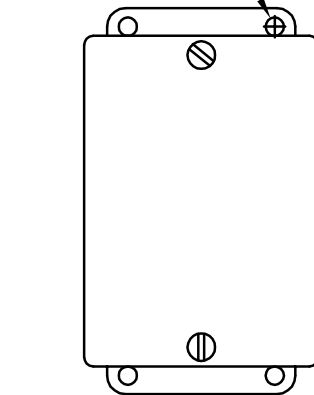
Finish

- ANSI 61 gray polyester powder inside and out

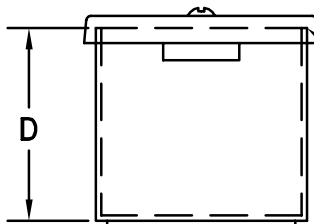
JIC HANDY SERIES SCREW-COVER ENCLOSURES

Catalog Number	Enclosure Size HxWxD
JIC040202	4.00x2.00x2.00 (102x51x51)
JIC040302	4.25x2.88x2.63 (108x73x67)
JIC040403	4.00x4.00x3.00 (102x102x76)

ø0.25 TYP



View Showing Cover Removed



CLOSED CELL GASKETING



BO604045CHFTC

Industry Standards

UL 50 Listed, 4, 12 & 13
CSA Certified, Type 12 & 13
NEMA/EEMAC Type 12 & 13

 UL Files E6924

 CSA File LL66078

FEATURES-SPECIFICATIONS

Applications

FTC (flange trough collar) enclosures offer unique tub flanges that maximize internal protection. Designed to provide protection from dust, dirt, oil, and water.

Construction

- Bodies and doors are fabricated from carbon steel
- Special 360 degree tub flange design diverts contaminants away from tub opening

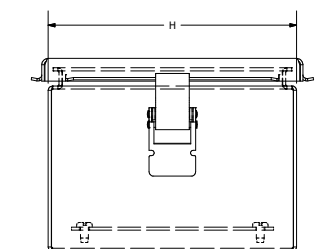
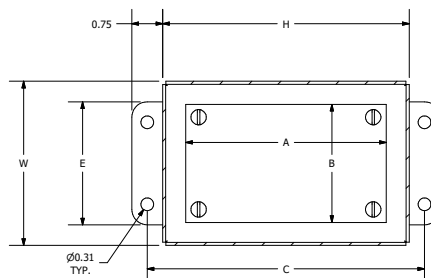
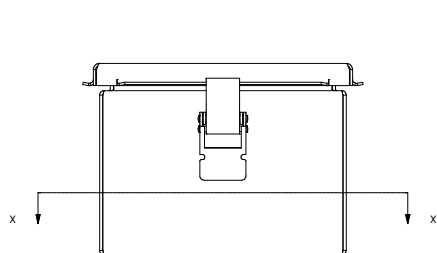
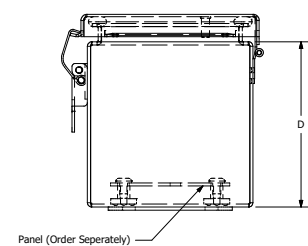
- Continuously hinged door is removable by pulling the hinge pin
- Seams are continuously welded and ground smooth
- Doors are sealed with a poured in place gasket
- External mounting plates on the top and bottom of the enclosure.
- Weldnuts are provided for mounting **optional** back panels
- Special quick-release latches
- Grounding provisions are provided

Finish

- ANSI 61 gray polyester powder inside and out
- **Optional** back panels are painted with a white polyester powder
- **Optional** perforated panels are painted with a white polyester powder
- **Optional** "G" panels are pre-galvanized steel
- Back panels (reference table)
- See pages L1-L24

B-CHFTC JIC ENCLOSURES

Catalog Number	Back Panel Catalog Number*			Enclosure Size HxWxD
	White	"G"	Perforated	
B0604045CHFTC	P0604	P0604G	P0604PP	6.00x4.00x4.50 (152x102x115)
B0606045CHFTC	P0606	P0606G	P0606PP	6.00x6.00x4.50 (152x102x115)
B0806045CHFTC	P0806	P0806G	P0806PP	8.00x6.00x4.50 (203x152x115)
B1008045CHFTC	P1008	P1008G	P1008PP	10.00x8.00x4.50 (254x203x115)
B1210055CHFTC	P1210	P1210G	P1210PP	12.00x10.00x5.50 (305x254x139)
B1412065CHFTC	P1412	P1412G	P1412PP	14.00x12.00x6.50 (356x305x166)
B1614065CHFTC	P1614	P1614G	P1614PP	16.00x14.00x6.50 (406x356x166)



VIEW SHOWING CLAMP POSITION WHEN "H" IS LESS THAN 8.00"



N12161206

Industry Standards

UL 508A, Type 12 & 13

CSA Certified, Type 12

NEMA/EEMAC Type 12 & 13

 UL Files E64791

 CSA File LL66078

FEATURES-SPECIFICATIONS
Applications

Intended for use in housing electrical and electronic controls, instruments, components, and associated wiring. These enclosures incorporate hinged doors which provide convenient access. Designed for indoor use in protecting components from dust, dirt, oil, and water.

Construction

- Bodies and doors are fabricated from carbon steel
- Seams are continuously welded and ground smooth
- Door and body stiffeners are provided in larger enclosures for added rigidity

- Rolled lip on three sides of the door and all sides of the enclosure opening to exclude liquids and contaminants
- Quick and easy to operate door clamps are provided
- Continuously hinged door is removable by pulling the hinge pin
- Hasp and staple are provided for padlocking
- Doors are sealed with a poured in place gasket
- Collar studs for mounting **optional** back panels are provided
- External mounting feet are provided
- Grounding provisions are provided

Finish

- ANSI-61 gray polyester powder inside and outside
- **Optional** back panels are painted white with a polyester powder
- **Optional** "G" panels are pre-galvanized steel

Accessories

- Back panels (reference table)
- See pages L1-L24

N12 SERIES SINGLE DOOR ENCLOSURES

Catalog Number	Enclosure Size HxWxD	Back Panel Catalog Number*		Back Panel Size A x B	Number of Door Clamps
		White	"G"		
N12122406	12.00x24.00x6.00 (305x610x152)	NP1224	NP1224G	9.00x21.00 (229x533)	2
N12161206	16.00x12.00x6.00 (406x305x152)	NP1612	NP1612G	13.00x9.00 (330x229)	2
N12161606	16.00x16.00x6.00 (406x406x152)	NP1616	NP1616G	13.00x13.00 (330x330)	2
N12162006	16.00x20.00x6.00 (406x508x152)	NP2016	NP2016G	13.00x17.00 (330x432)	2
N12201206	20.00x12.00x6.00 (508x305x152)	NP2012	NP2012G	17.00x9.00 (432x229)	2
N12201606	20.00x16.00x6.00 (508x406x152)	NP2016	NP2016G	17.00x13.00 (432x330)	2
N12202006	20.00x20.00x6.00 (508x508x152)	NP2020	NP2020G	17.00x17.00 (432x432)	2
N12202406	20.00x24.00x6.00 (508x610x152)	NP2420	NP2420G	17.00x21.00 (432x533)	2
N12241206	24.00x12.00x6.00 (610x305x152)	NP1224	NP1224G	21.00x9.00 (533x229)	2
N12241606	24.00x16.00x6.00 (610x406x152)	NP2416	NP2416G	21.00x13.00 (533x330)	2
N12242006	24.00x20.00x6.00 (610x508x152)	NP2420	NP2420G	21.00x17.00 (533x432)	2
N12242406	24.00x24.00x6.00 (610x610x152)	NP2424	NP2424G	21.00x21.00 (533x533)	2
N12301606	30.00x16.00x6.00 (762x406x152)	NP3016	NP3016G	27.00x13.00 (686x330)	2
N12302006	30.00x20.00x6.00 (762x508x152)	NP3020	NP3020G	27.00x17.00 (686x432)	2
N12302406	30.00x24.00x6.00 (762x610x152)	NP3024	NP3024G	27.00x21.00 (686x533)	2
N12362406	36.00x24.00x6.00 (914x610x152)	NP3624	NP3624G	33.00x21.00 (838x533)	2
N12363006	36.00x30.00x6.00 (914x762x152)	NP3630	NP3630G	33.00x27.00 (838x686)	2
N12122408	12.00x24.00x8.00 (305x610x203)	NP1224	NP1224G	9.00x21.00 (229x533)	2
N12161208	16.00x12.00x8.00 (406x305x203)	NP1612	NP1612G	13.00x9.00 (330x229)	2

*Back panels must be ordered separately.

continued on page C17

N12 SERIES SINGLE DOOR ENCLOSURES (CONT.)

Catalog Number	Enclosure Size HxWxD	Back Panel Catalog Number*		Back Panel Size A x B	Number of Door Clamps
		White	"G"		
N12161608	16.00x16.00x8.00 (406x406x203)	NP1616	NP1616G	13.00x13.00 (330x330)	2
N12162008	16.00x20.00x8.00 (406x508x203)	NP2016	NP2016G	13.00x17.00 (330x432)	2
N12201208	20.00x12.00x8.00 (508x305x203)	NP2012	NP2012G	17.00x9.00 (432x229)	2
N12201608	20.00x16.00x8.00 (508x406x203)	NP2016	NP2016G	17.00x13.00 (432x330)	2
N12202008	20.00x20.00x8.00 (508x508x203)	NP2020	NP2020G	17.00x17.00 (432x432)	2
N12202408	20.00x24.00x8.00 (508x610x203)	NP2420	NP2420G	17.00x21.00 (432x533)	2
N12241208	24.00x12.00x8.00 (610x305x203)	NP1224	NP1224G	21.00x9.00 (533x229)	2
N12241608	24.00x16.00x8.00 (610x406x203)	NP2416	NP2416G	21.00x13.00 (533x330)	2
N12242008	24.00x20.00x8.00 (610x508x203)	NP2420	NP2420G	21.00x17.00 (533x432)	2
N12242408	24.00x24.00x8.00 (610x610x203)	NP2424	NP2424G	21.00x21.00 (533x533)	2
N12243008	24.00x30.00x8.00 (610x762x203)	NP3024	NP3024G	21.00x27.00 (533x686)	2
N12302008	30.00x20.00x8.00 (762x508x203)	NP3020	NP3020G	27.00x17.00 (686x432)	2
N12302408	30.00x24.00x8.00 (762x610x203)	NP3024	NP3024G	27.00x21.00 (686x533)	2
N12303008	30.00x30.00x8.00 (762x762x203)	NP3030	NP3030G	27.00x27.00 (686x686)	2
N12303608	30.00x36.00x8.00 (762x914x203)	NP3630	NP3630G	27.00x33.00 (686x838)	2
N12362408	36.00x24.00x8.00 (914x610x203)	NP3624	NP3624G	33.00x21.00 (838x533)	2
N12363008	36.00x30.00x8.00 (914x762x203)	NP3630	NP3630G	33.00x27.00 (838x686)	2
N12363608	36.00x36.00x8.00 (914x914x203)	NP3636	NP3636G	33.00x33.00 (838x838)	2
N12422408	42.00x24.00x8.00 (1067x610x203)	NP4224	NP4224G	39.00x21.00 (991x533)	3
N12423008	42.00x30.00x8.00 (1067x762x203)	NP4230	NP4230G	39.00x27.00 (991x686)	3
N12423608	42.00x36.00x8.00 (1067x914x203)	NP4236	NP4236G	39.00x33.00 (991x838)	3
N12482408	48.00x24.00x8.00 (1219x610x203)	NP4824	NP4824G	45.00x21.00 (1143x533)	3
N12483008	48.00x30.00x8.00 (1219x762x203)	NP4830	NP4830G	45.00x27.00 (1143x686)	3
N12483608	48.00x36.00x8.00 (1219x914x203)	NP4836	NP4836G	45.00x33.00 (1143x838)	3
N12603608	60.00x36.00x8.00 (1524x914x203)	NP6036	NP6036G	57.00x33.00 (1448x838)	3
N12161210	16.00x12.00x10.00 (406x305x254)	NP1612	NP1612G	13.00x9.00 (330x229)	2
N12201610	20.00x16.00x10.00 (508x406x254)	NP2016	NP2016G	17.00x13.00 (432x330)	2
N12202010	20.00x20.00x10.00 (508x508x254)	NP2020	NP2020G	17.00x17.00 (432x432)	2
N12241210	24.00x12.00x10.00 (610x305x254)	NP2412	NP2412G	21.00x9.00 (533x229)	2
N12242010	24.00x20.00x10.00 (610x508x254)	NP2420	NP2420G	21.00x17.00 (533x432)	2
N12242410	24.00x24.00x10.00 (610x610x254)	NP2424	NP2424G	21.00x21.00 (533x533)	2
N12302010	30.00x20.00x10.00 (762x508x254)	NP3020	NP3020G	27.00x17.00 (686x432)	2
N12302410	30.00x24.00x10.00 (762x610x254)	NP3024	NP3024G	27.00x21.00 (686x533)	2
N12362410	36.00x24.00x10.00 (914x610x254)	NP3624	NP3624G	33.00x21.00 (838x533)	2
N12363010	36.00x30.00x10.00 (914x762x254)	NP3630	NP3630G	33.00x27.00 (838x686)	2
N12423010	42.00x30.00x10.00 (1067x762x254)	NP4230	NP4230G	39.00x27.00 (991x686)	3
N12423610	42.00x36.00x10.00 (1067x914x254)	NP4236	NP4236G	39.00x33.00 (991x838)	3
N12483010	48.00x30.00x10.00 (1219x762x254)	NP4830	NP4830G	45.00x27.00 (1143x686)	3
N12483610	48.00x36.00x10.00 (1219x914x254)	NP4836	NP4836G	45.00x33.00 (1143x838)	3
N12603610	60.00x36.00x10.00 (1524x914x254)	NP6036	NP6036G	57.00x33.00 (1448x838)	3
N12201612	20.00x16.00x12.00 (508x406x305)	NP2016	NP2016G	17.00x13.00 (432x330)	2
N12242012	24.00x20.00x12.00 (610x508x305)	NP2420	NP2420G	21.00x17.00 (533x432)	2
N12242412	24.00x24.00x12.00 (610x610x305)	NP2424	NP2424G	21.00x21.00 (533x533)	2
N12302412	30.00x24.00x12.00 (762x610x305)	NP3024	NP3024G	27.00x21.00 (686x533)	2
N12303012	30.00x30.00x12.00 (762x762x305)	NP3030	NP3030G	27.00x27.00 (686x686)	2

*Back panels must be ordered separately.

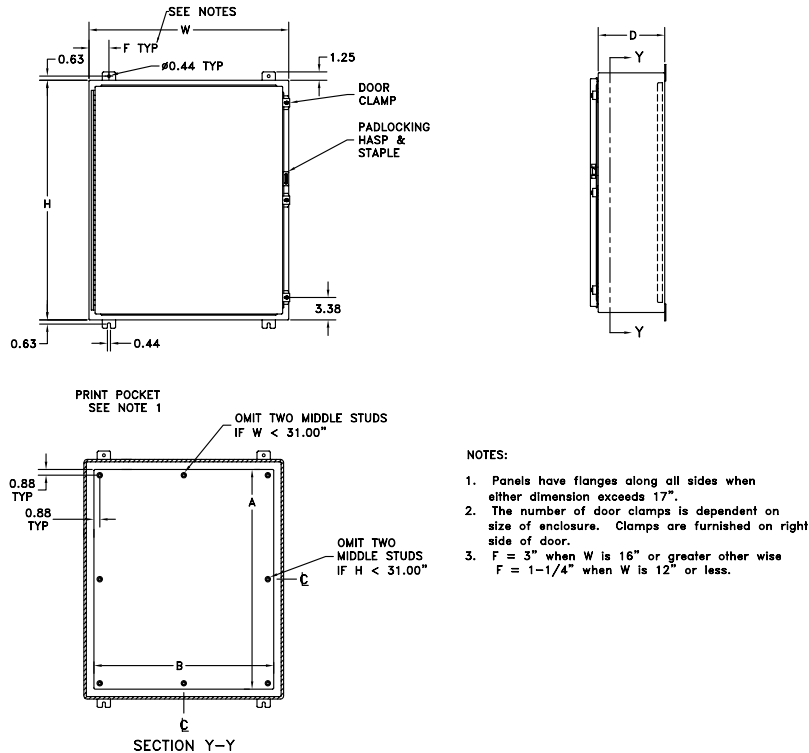
continued on page C18

**N12 SERIES ENCLOSURES
NEMA 12 SINGLE DOOR WALL-MOUNT**

N12 SERIES SINGLE DOOR ENCLOSURES (CONT.)

Catalog Number	Enclosure Size HxWxD	Back Panel Catalog Number*		Back Panel Size A x B	Number of Door Clamps
		White	"G"		
N12362412	36.00x24.00x12.00 (914x610x305)	NP3624	NP3624G	33.00x21.00 (838x533)	2
N12363012	36.00x30.00x12.00 (914x762x305)	NP3630	NP3630G	33.00x27.00 (838x686)	2
N12363612	36.00x36.00x12.00 (914x914x305)	NP3636	NP3636G	33.00x33.00 (838x838)	2
N12423012	42.00x30.00x12.00 (1067x762x305)	NP4230	NP4230G	39.00x27.00 (991x686)	3
N12423612	42.00x36.00x12.00 (1067x914x305)	NP4236	NP4236G	39.00x33.00 (991x838)	3
N12483612	48.00x36.00x12.00 (1219x914x305)	NP4836	NP4836G	45.00x33.00 (1143x838)	3
N12603612	60.00x36.00x12.00 (1524x914x305)	NP6036	NP6036G	57.00x33.00 (1448x838)	3
N12723012	72.00x30.00x12.00 (1829x762x305)	NP7230	NP7230G	69.00x27.00 (1753x686)	4
N12723612	72.00x36.00x12.00 (1829x914x305)	NP7236	NP7236G	69.00x33.00 (1753x838)	4
N12242016	24.00x20.00x16.00 (610x508x406)	NP2420	NP2420G	21.00x17.00 (533x432)	2
N12242416	24.00x24.00x16.00 (610x610x406)	NP2424	NP2424G	21.00x21.00 (533x533)	2
N12302416	30.00x24.00x16.00 (762x610x406)	NP3024	NP3024G	27.00x21.00 (686x533)	2
N12363016	36.00x30.00x16.00 (914x762x406)	NP3630	NP3630G	33.00x27.00 (838x686)	2
N12423616	42.00x36.00x16.00 (1067x914x406)	NP4236	NP4236G	39.00x33.00 (991x838)	3
N12483616	48.00x36.00x16.00 (1219x914x406)	NP4836	NP4836G	45.00x33.00 (1143x838)	3
N12603616	60.00x36.00x16.00 (1524x914x406)	NP6036	NP6036G	57.00x33.00 (1448x838)	3
N12723016	72.00x30.00x16.00 (1829x762x406)	NP7230	NP7230G	69.00x27.00 (1753x686)	4
N12302420	30.00x24.00x20.00 (762x610x508)	NP3024	NP3024G	27.00x21.00 (686x533)	2
N12363020	36.00x30.00x20.00 (914x762x508)	NP3630	NP3630G	33.00x27.00 (838x686)	2
N12483620	48.00x36.00x20.00 (1219x914x508)	NP4836	NP4836G	45.00x33.00 (1143x838)	3
N12603620	60.00x36.00x20.00 (1524x914x508)	NP6036	NP6036G	57.00x33.00 (1448x838)	3
N12302424	30.00x24.00x24.00 (762x610x610)	NP3024	NP3024G	27.00x21.00 (686x533)	2

*Back panels must be ordered separately.





WA244808WF

Industry Standards

UL 508A, Type 12
CSA Certified, Type 12
NEMA/EEMAC Type 12

 UL Files E64791

 CSA File LL66078

FEATURES-SPECIFICATIONS

Applications

Intended for use in housing electronic controls, instruments, components, and associated wiring. These enclosures incorporate hinged doors which provide convenient access. Designed for indoor use in protecting components from dust, dirt, oil, and water.

Construction

- Bodies and doors are fabricated from carbon steel
- Seams are continuously welded and ground smooth

- Rolled lip around all sides of the enclosure opening to exclude liquids and contaminants
- Special overlapping door design eliminates the need for a center post
- 3-point latching mechanism operates with an oil-tight locking handle
- Continuously hinged door is removable by pulling the hinge pin
- Doors are sealed with a poured in place gasket
- Collar studs for mounting **optional** back panels are provided
- External mounting feet are provided
- Grounding provisions are provided

Finish

- ANSI-61 gray polyester powder inside and out
- **Optional** back panels are painted with a white polyester powder
- **Optional** “G” panels are pre-galvanized steel

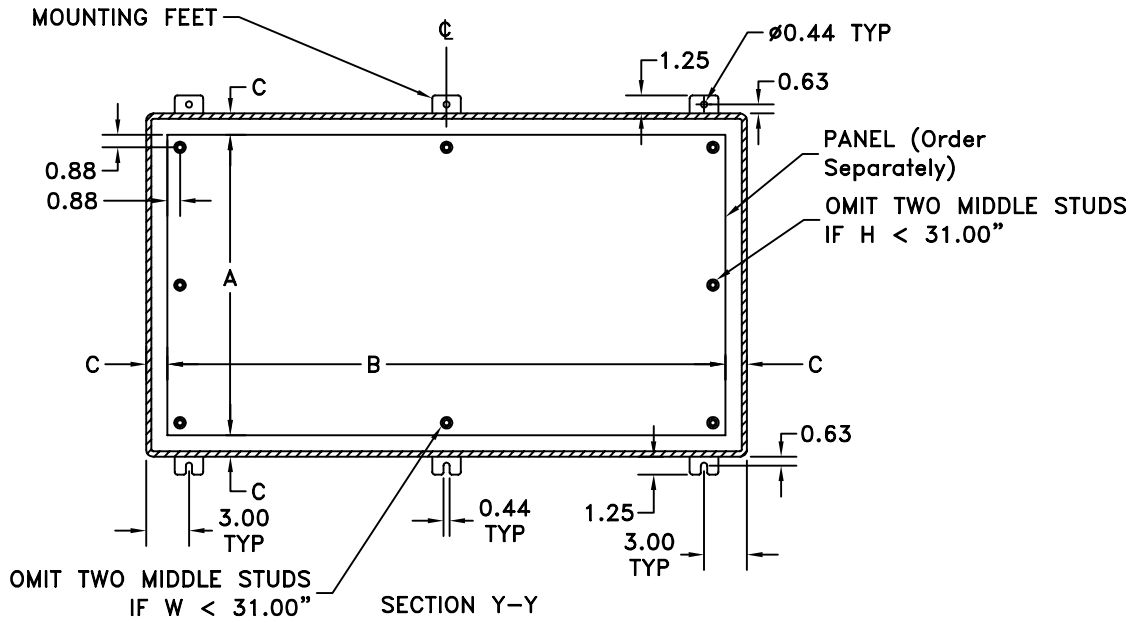
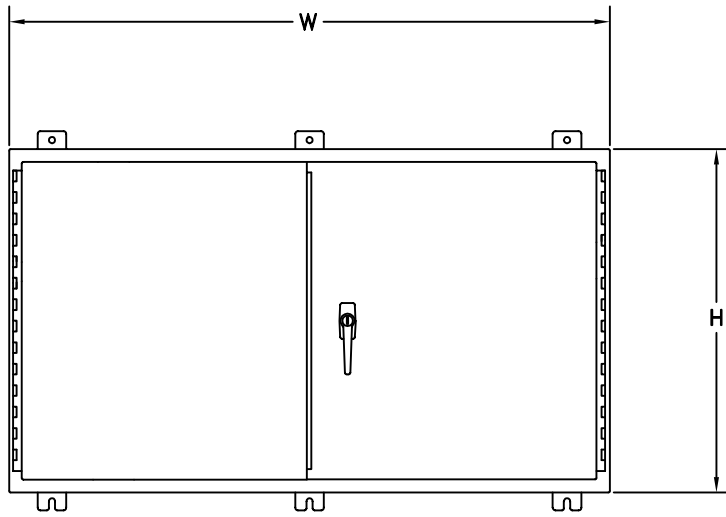
Accessories

- Back panels (reference table)
- See pages L1-L24

WA-WF SERIES TWO DOOR ENCLOSURES

Catalog Number	Enclosure Size HxWxD	Back Panel Catalog Number*		Back Panel Size A x B	C
		White	“G”		
WA244208WF	24.00x42.00x8.00 (610x1067x203)	NP4224	NP4224G	39.00x21.00 (991x533)	1.50 (38)
WA244808WF	24.00x48.00x8.00 (610x1219x203)	NP4824	NP4824G	21.00x45.00 (533x1143)	1.50 (38)
WA304210WF	30.00x42.00x10.00 (762x1067x254)	NP4230	NP4230G	27.00x39.00 (686x991)	1.50 (38)
WA304810WF	30.00x48.00x10.00 (762x1219x254)	NP4830	NP4830G	45.00x27.00 (1143x686)	1.50 (38)
WA306010WF	30.00x60.00x10.00 (762x1524x254)	NP6030	NP6030G	27.00x57.00 (686x1448)	1.50 (38)
WA364212WF	36.00x42.00x12.00 (914x1067x305)	NP4236	NP4236G	33.00x39.00 (838x991)	1.50 (38)
WA364812WF	36.00x48.00x12.00 (914x1219x305)	NP4836	NP4836G	33.00x45.00 (838x1143)	1.50 (38)
WA366012WF	36.00x60.00x12.00 (914x1524x305)	NP6036	NP6036G	33.00x57.00 (838x1448)	1.50 (38)
WA424212WF	42.00x42.00x12.00 (1067x1067x305)	NPDD4242	NPDD4242G	39.00x39.00 (991x991)	1.50 (38)
WA424812WF	42.00x48.00x12.00 (1067x1219x305)	NPDD4842	NPDD4842G	39.00x45.00 (991x1143)	1.50 (38)
WA426012WF	42.00x60.00x12.00 (1067x1524x305)	NPDD4260	NPDD4260G	38.00x56.00 (965x1422)	2.00 (51)
WA484812WF	48.00x48.00x12.00 (1219x1219x305)	NPDD4848	NPDD4848G	44.00x44.00 (1118x1118)	2.00 (51)

*Back panels must be ordered separately.






WA202006FM

Industry Standards

UL 508A, Type 12 & 13

CSA Certified, Type 12

NEMA/EEMAC Type 12 & 13

 UL File E64791

 CSA File LL66078

FEATURES-SPECIFICATIONS

Applications

Designed to house electrical controls, terminals and instruments. Provides protection from dirt, dust, oil and water. External frame allows enclosure to be recessed in a wall. Enclosure is used in applications where external space is limited or in high traffic areas.

Construction

- Bodies and doors are fabricated from carbon steel. Steel mounting frame extends completely around the enclosure

- Seams are continuously welded and ground smooth
- Rolled lip around all sides of the enclosure opening to exclude liquids and contaminants
- Doors are held closed with captivated screws threaded into sealed wells
- Doors are sealed with a poured in place gasket
- Collar studs for mounting **optional** back panels are provided
- Continuously hinged door is removable by pulling the hinge pin
- Grounding provisions are provided

Finish

- ANSI 61 gray polyester powder inside and out
- **Optional** back panels are painted with a white polyester powder

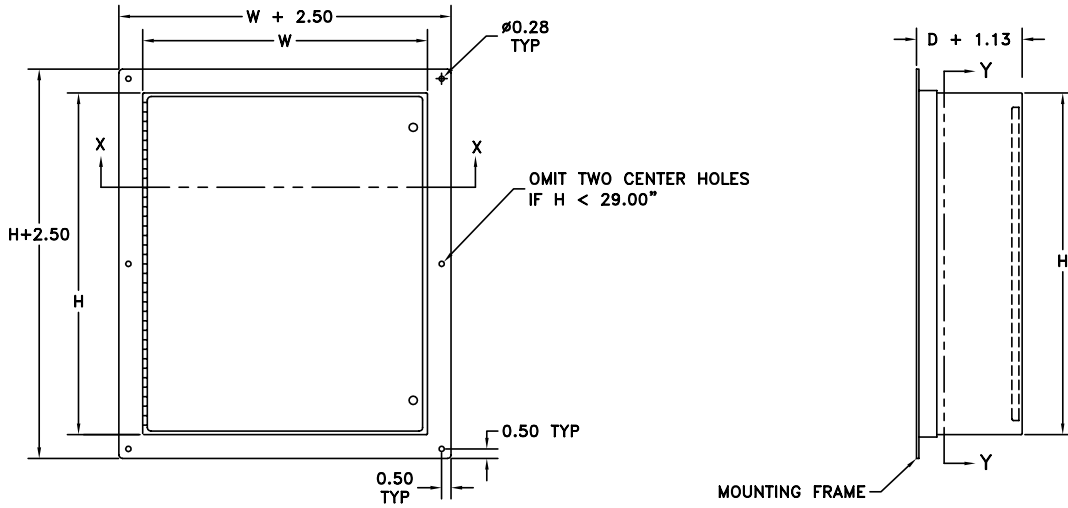
Accessories

- Back panels (reference table)
- See pages L1-L24

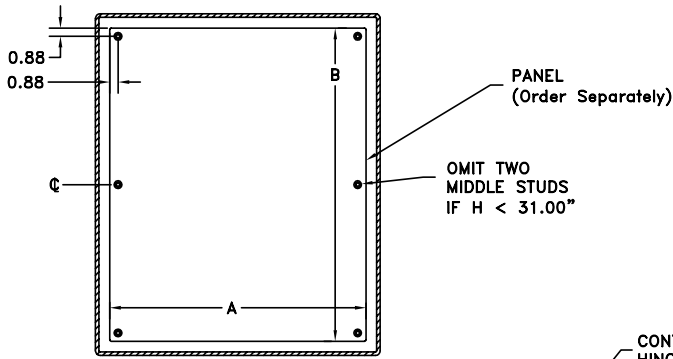
WA-FM SERIES FLUSH-MOUNT ENCLOSURES

Catalog Number	Enclosure Size HxWxD	Back Panel Catalog Number*	Back Panel Size A x B
WA161206FM	16.00x12.00x6.00 (406x305x152)	NP1612	9.00x13.00 (229x330)
WA202006FM	20.00x20.00x6.00 (508x508x152)	NP2020	17.00x17.00 (432x432)
WA242408FM	24.00x24.00x8.00 (610x610x203)	NP2424	21.00x21.00 (533x533)
WA302408FM	30.00x24.00x8.00 (762x610x203)	NP3024	21.00x27.00 (533x686)
WA363008FM	36.00x30.00x8.00 (914x762x203)	NP3630	27.00x33.00 (686x838)

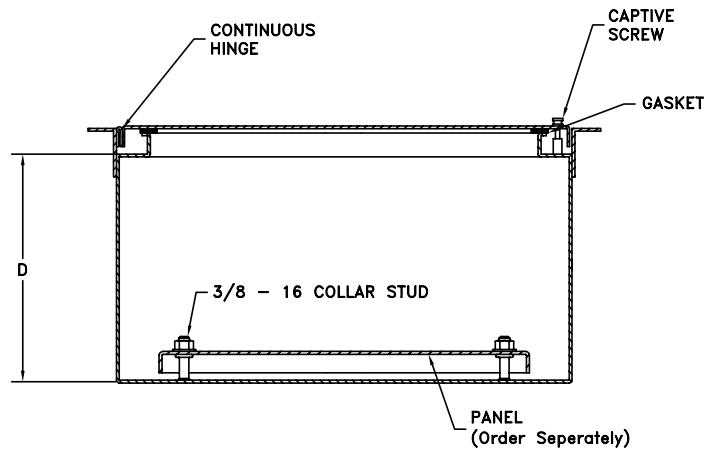
*Back panels must be ordered separately.



PRINT POCKET
SEE NOTE 1



SECTION Y-Y



SECTION X-X

**N12 SERIES ENCLOSURES
NEMA 12 TWO DOOR FLOOR-MOUNT**



N12544208

Industry Standards
UL 508A, Type 12
CSA Certified, Type 12
NEMA/EEMAC Type 12

 UL Files E64791

 CSA File LL66078

FEATURES-SPECIFICATIONS

Applications

Designed to protect electronic controls, components, and instruments in typical industrial environments from dust, dirt, oil, and dripping water. These enclosures are used in machine tool applications for housing motor starters, drives, contactors, PLC's, as well as a wide variety of other electrical and electronic equipment found in automotive, pulp and paper, wood products, textile, and similar industries.

Construction

- Bodies, doors, and feet are fabricated from carbon steel
- Seams are continuously welded and ground smooth

- Heavy gauge continuous hinges support each door
- Special overlapping door design eliminates the need for a center post
- 3-point Keylocking/Padlocking combo handle
- Standard 12" high floor kits are welded to the bottom of the enclosure
- Heavy-duty lifting eyes are provided
- Strong, rigid construction with body stiffeners
- Doors are sealed with a poured in place gasket
- Grounding provisions are provided
- Back panel supports are provided
- Collar studs for mounting **optional** back panels are provided

Finish

- ANSI-61 gray polyester powder inside and out
- **Optional** back panels are painted with a white polyester powder
- **Optional** "G" panels are pre-galvanized steel

Accessories

- Back panels (reference table)
- See pages L1-L24

N12 SERIES TWO DOOR FLOOR-MOUNT ENCLOSURES

Catalog Number	Enclosure Size HxWxD	Back Panel Catalog Number*		Back Panel Size A x B
		White	"G"	
N12544208	54.12x42.12x8.12 (1375x1070x206)	NPDD5442	NPDD5442G	50.00x38.00 (1270x965)
N12604808	60.12x48.12x8.12 (1527x1222x206)	NPDD6048	NPDD6048G	56.00x44.00 (1422x1118)
N12604810	60.12x48.12x10.12 (1527x1222x257)	NPDD6048	NPDD6048G	56.00x44.00 (1422x1118)
N12606010	60.12x60.12x10.12 (1527x1527x257)	NPDD6060	NPDD6060G	56.00x56.00 (1422x1422)
N12726010	72.12x60.12x10.12 (1832x1527x257)	NPDD7260	NPDD7260G	68.00x56.00 (1727x1422)
N12727210	72.12x72.12x10.12 (1832x1832x257)	NPDD7272	NPDD7272G	68.00x68.00 (1727x1727)
N12604812	60.12x48.12x12.12 (1527x1222x308)	NPDD6048	NPDD6048G	56.00x44.00 (1422x1118)
N12606012	60.12x60.12x12.12 (1527x1527x308)	NPDD6060	NPDD6060G	56.00x56.00 (1422x1422)
N12726012	72.12x60.12x12.12 (1832x1527x308)	NPDD7260	NPDD7260G	68.00x56.00 (1727x1422)
N12727212	72.12x72.12x12.12 (1832x1832x308)	NPDD7272	NPDD7272G	68.00x68.00 (1727x1727)
N12604816	60.12x48.12x16.12 (1527x1222x409)	NPDD6048	NPDD6048G	56.00x44.00 (1422x1118)
N12606016	60.12x60.12x16.12 (1527x1527x409)	NPDD6060	NPDD6060G	56.00x56.00 (1422x1422)
N12726016	72.12x60.12x16.12 (1832x1527x409)	NPDD7260	NPDD7260G	68.00x56.00 (1727x1422)

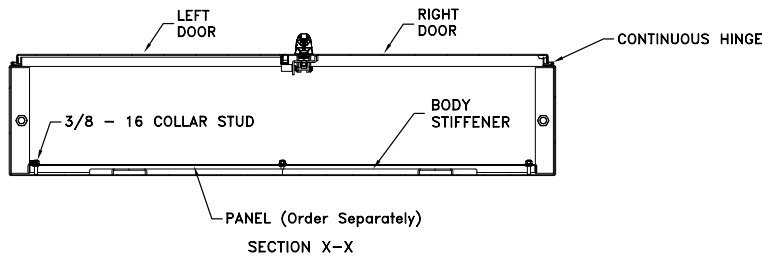
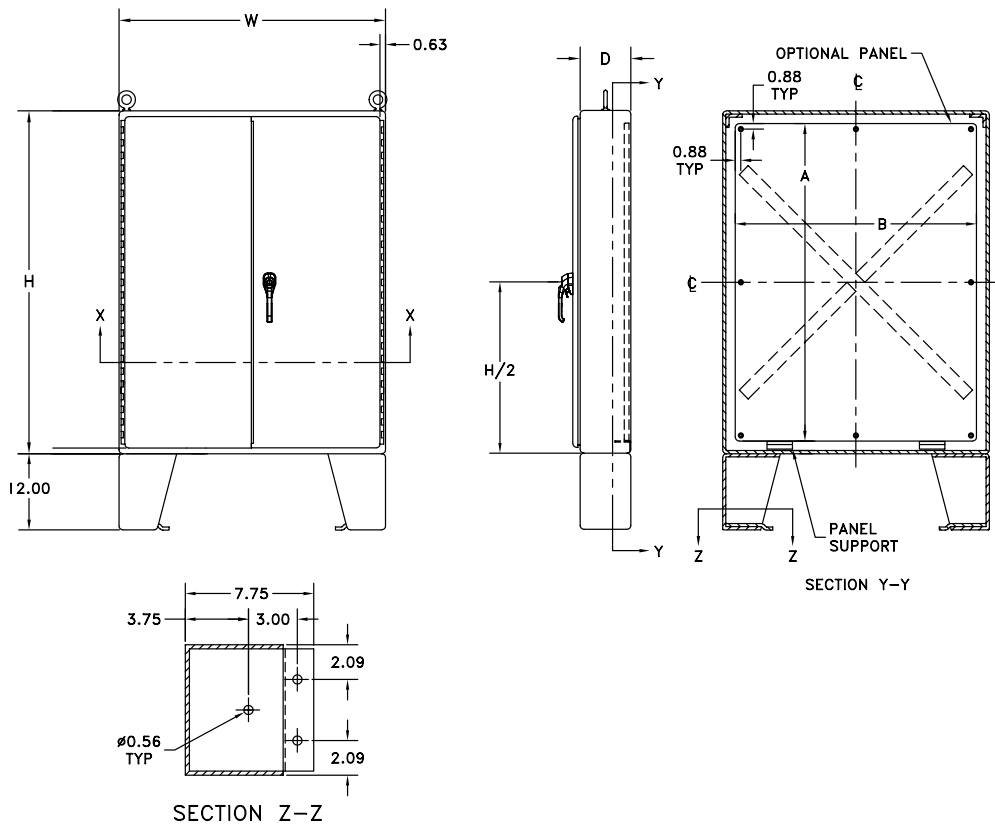
continued on page C24

**N12 SERIES ENCLOSURES
NEMA 12 TWO DOOR FLOOR-MOUNT**

N12 SERIES TWO DOOR FLOOR-MOUNT ENCLOSURES (CONT.)

Catalog Number	Enclosure Size HxWxD	Back Panel Catalog Number*		Back Panel Size A x B
		White	"G"	
N12727216	72.12x72.12x16.12 (1832x1832x409)	NPDD7272	NPDD7272G	68.00x68.00 (1727x1727)
N12604820	60.12x48.12x20.12 (1527x1222x511)	NPDD6048	NPDD6048G	56.00x44.00 (1422x1118)
N12726020	72.12x60.12x20.12 (1832x1527x511)	NPDD7260	NPDD7260G	68.00x56.00 (1727x1422)
N12727220	72.12x72.12x20.12 (1832x1832x511)	NPDD7272	NPDD7272G	68.00x68.00 (1727x1727)
N12604824	60.12x48.12x24.12 (1527x1222x613)	NPDD6048	NPDD6048G	56.00x44.00 (1422x1118)
N12606024	60.12x60.12x24.12 (1527x1527x613)	NPDD6060	NPDD6060G	56.00x56.00 (1422x1422)
N12726024	72.12x60.12x24.12 (1832x1527x613)	NPDD7260	NPDD7260G	68.00x56.00 (1727x1422)
N12727224	72.12x72.12x24.12 (1832x1832x613)	NPDD7272	—	68.00x68.00 (1727x1727)

*Back panels must be ordered separately.






WA603624FS

Industry Standards

UL 508A, Type 12
CSA Certified, Type 12
NEMA/EEMAC Type 12

 UL Files E64791

 CSA File LL66078

FEATURES-SPECIFICATIONS

Applications

Designed to protect electronic controls, components, and instruments in typical industrial environments from dust, dirt, oil, and dripping water. These enclosures are used in machine tool applications for housing motor starters, drives, contactors, PLC's, as well as a wide variety of other electrical and electronic equipment. The addition of 19-inch rack mounting accessories make these enclosures ideal for providing rugged protection for sensitive rack mounted components in harsh industrial environments. The enclosures are found extensively in automotive, pulp and paper, wood products, textile, and similar industries.

Four styles are available to provide maximum flexibility:

- a) Single Door Single Access (single door on front)

- b) Single Door Dual Access (single door on front and back)
- c) Two Door Single Access (overlapping doors on front)
- d) Two Door Dual Access (overlapping doors on front and back)

Construction

- Bodies and doors are fabricated from carbon steel
- Seams are continuously welded and ground smooth
- Heavy-duty lifting eyes for easy handling
- Heavy gauge continuous hinges support each door
- 3-point Keylocking/Padlocking combo handle
- Mounting channels are welded horizontally to the interior body to allow back panels to be positioned in the enclosure. **Optional** swing

panels and rack angles can be mounted anywhere along the mounting channel

- Doors are sealed with a poured in place gasket
- Stiffeners are welded to the back of two door enclosures to maintain flatness and increase rigidity
- Grounding provisions are provided

Finish

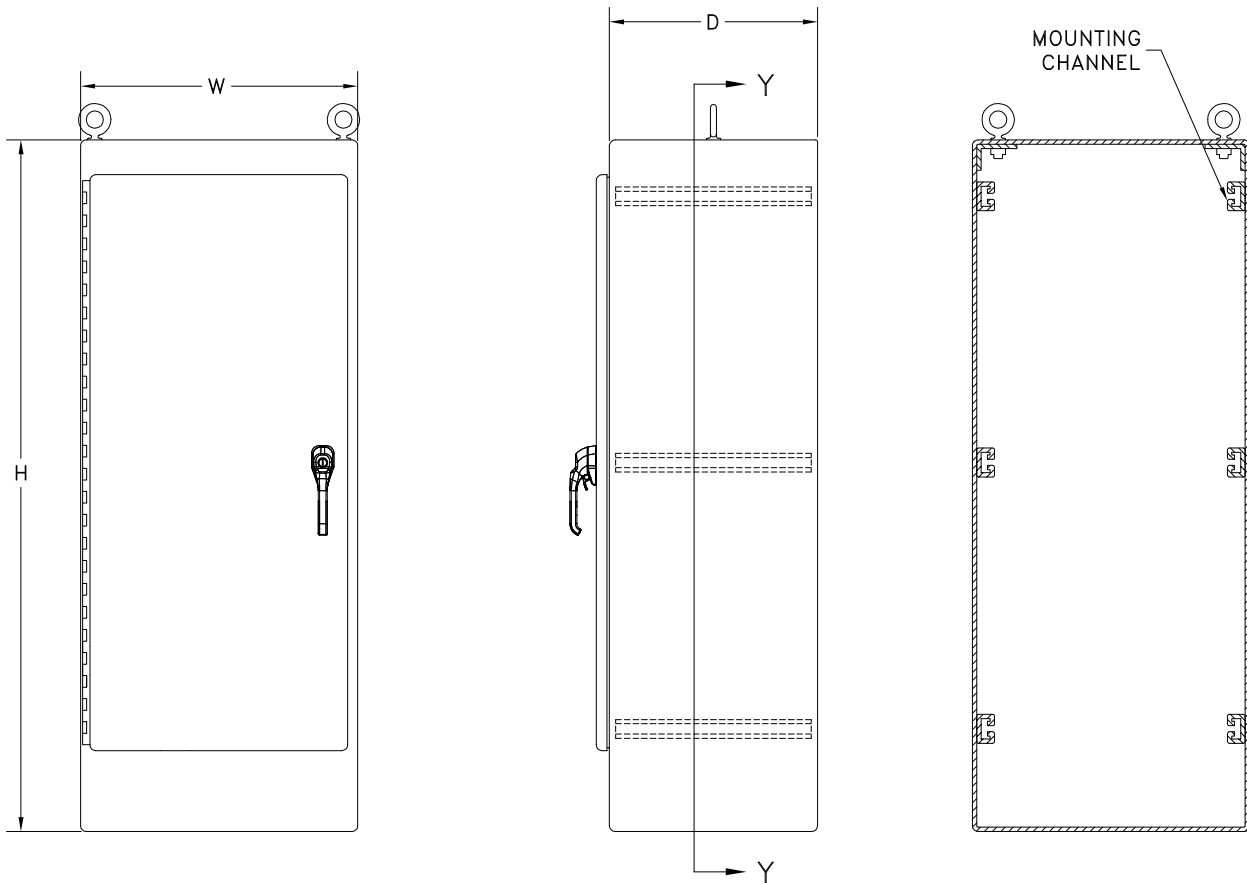
- ANSI 61 gray polyester powder inside and out
- **Optional** back panels are painted with a white polyester powder
- **Optional** "G" are pre-galvanized steel

Accessories

- See pages L1-L24

WA-FS SERIES FREESTANDING SINGLE DOOR ENCLOSURE (SEE PAGE C30 FOR BACK PANEL DIMENSIONS)

Catalog Number	Enclosure Size HxWxD		Back Panel Catalog Number			
			White		Galvanized	
			Full	Half	Full	Half
WA602418FS	60.12x24.12x18.12	(1527x613x460)	WA60P24F1	WA60P24F2	WA60P24F1G	WA60P24F2G
WA722418FS	72.12x24.12x18.12	(1832x613x460)	WA72P24F1	WA72P24F2	WA72P24F1G	WA72P24F2G
WA723018FS	72.12x30.12x18.12	(1832x765x460)	WA72P30F1	WA72P30F2	WA72P30F1G	WA72P30F2G
WA723618FS	72.12x36.12x18.12	(1832x917x460)	WA72P36F1	WA72P36F2	WA72P36F1G	WA72P36F2G
WA902420FS	90.12x24.12x20.12	(2289x613x511)	WA90P24F1	WA90P24F2	WA90P24F1G	WA90P24F2G
WA903620FS	90.12x36.12x20.12	(2289x917x511)	WA90P36F1	WA90P36F2	WA90P36F1G	WA90P36F2G
WA603624FS	60.12x36.12x24.12	(1527x917x613)	WA60P36F1	WA60P36F2	WA60P36F1G	WA60P36F2G
WA722424FS	72.12x24.12x24.12	(1832x613x613)	WA72P24F1	WA72P24F2	WA72P24F1G	WA72P24F2G
WA723024FS	72.12x30.12x24.12	(1832x765x613)	WA72P30F1	WA72P30F2	WA72P30F1G	WA72P30F2G
WA723624FS	72.12x36.12x24.12	(1832x917x613)	WA72P36F1	WA72P36F2	WA72P36F1G	WA72P36F2G
WA903624FS	90.12x36.12x24.12	(2289x917x613)	WA90P36F1	WA90P36F2	WA90P36F1G	WA90P36F2G
WA723630FS	72.12x36.12x30.12	(1832x917x765)	WA72P36F1	WA72P36F2	WA72P36F1G	WA72P36F2G
WA723636FS	72.12x36.12x36.12	(1832x917x917)	WA72P36F1	WA72P36F2	WA72P36F1G	WA72P36F2G
WA903636FS	90.12x36.12x36.12	(2289x917x917)	WA90P36F1	WA90P36F2	WA90P36F1G	WA90P36F2G



SECTION Y-Y




WA604818FSD

Industry Standards

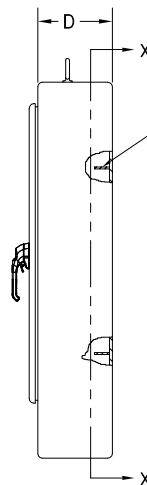
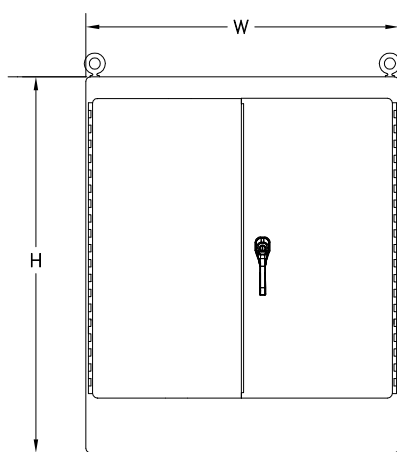
UL 508A, Type 12
CSA Certified, Type 12
NEMA/EEMAC Type 12

 UL Files E64791

 CSA File LL66078

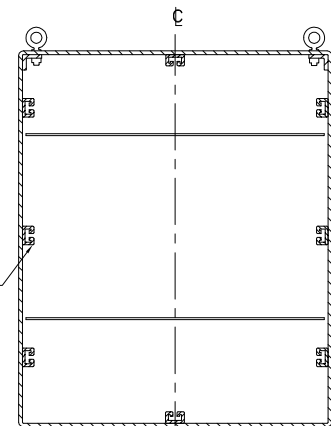
WA-FSD SERIES FREESTANDING TWO DOOR ENCLOSURES (SEE PAGE C30 FOR BACK PANEL DIMENSIONS)

Catalog Number	Enclosure Size HxWxD		Back Panel Catalog Number			
			White		Galvanized	
			Full	Half	Full	Half
WA604818FSD	60.12x48.12x18.12	(1527x1222x460)	WA60P48F1	WA60P48F2	WA60P48F1G	WA60P48F2G
WA724818FSD	72.12x48.12x18.12	(1832x1222x460)	WA72P48F1	WA72P48F2	WA72P48F1G	WA72P48F2G
WA726018FSD	72.12x60.12x18.12	(1832x1527x460)	WA72P60F1	WA72P60F2	WA72P60F1G	WA72P60F2G
WA727218FSD	72.12x72.12x18.12	(1832x1832x460)	WA72P72F1	WA72P72F2	WA72P72F1G	WA72P72F2G
WA904820FSD	90.12x48.12x20.12	(2289x1222x511)	WA90P48F1	WA90P48F2	WA90P48F1G	WA90P48F2G
WA907220FSD	90.12x72.12x20.12	(2289x1832x511)	WA90P72F1	WA90P72F2	WA90P72F1G	WA90P72F2G
WA724824FSD	72.12x48.12x24.12	(1832x1222x613)	WA72P48F1	WA72P48F2	WA72P48F1G	WA72P48F2G
WA726024FSD	72.12x60.12x24.12	(1832x1527x613)	WA72P60F1	WA72P60F2	WA72P60F1G	WA72P60F2G
WA727224FSD	72.12x72.12x24.12	(1832x1832x613)	WA72P72F1	WA72P72F2	WA72P72F1G	WA72P72F2G
WA907224FSD	90.12x72.12x24.12	(2289x1832x613)	WA90P72F1	WA90P72F2	WA90P72F1G	WA90P72F2G
WA726036FSD	72.12x60.12x36.12	(1832x1527x917)	WA72P60F1	WA72P60F2	WA72P60F1G	WA72P60F2G
WA907236FSD	90.12x72.12x36.12	(2289x1832x917)	WA90P72F1	WA90P72F2	WA90P72F1G	WA90P72F2G



BODY STIFFENER

MOUNTING CHANNEL



SECTION X-X

**WA-FSDA SERIES ENCLOSURES
NEMA 12 SINGLE DOOR DUAL ACCESS FREESTANDING**



WA722424FSDA

Industry Standards

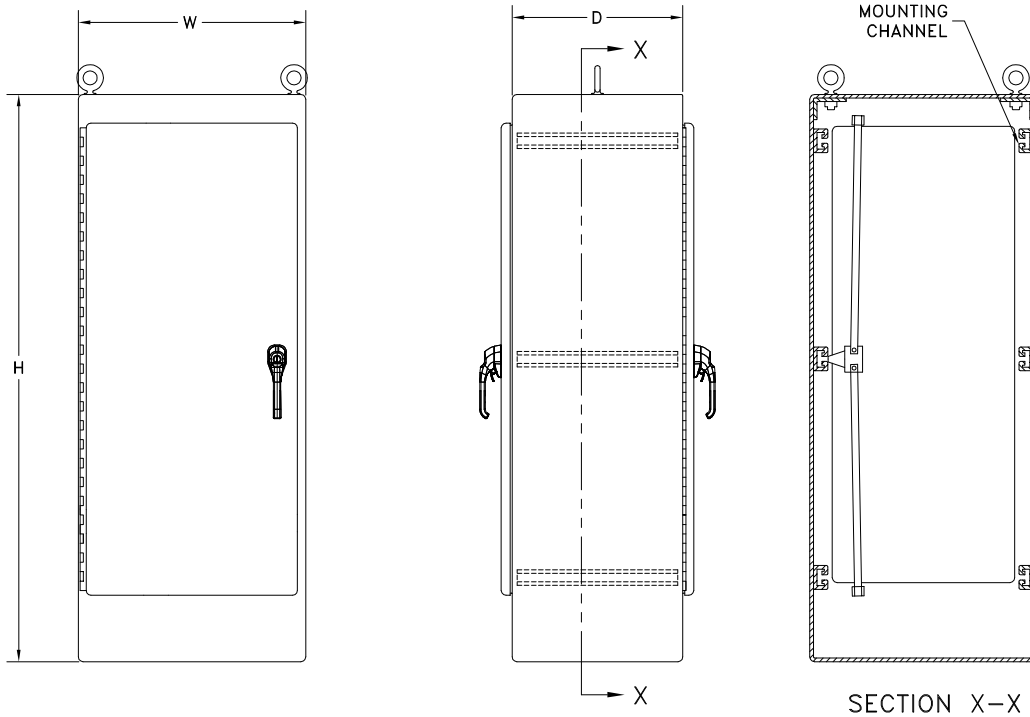
UL 508A, Type 12
CSA Certified, Type 12
NEMA/EEMAC Type 12

UL Files E64791

CSA File LL66078

WA-FSDA SERIES FREESTANDING SINGLE DOOR DUAL ACCESS ENCLOSURES (SEE PAGE C30 FOR BACK PANEL DIMENSIONS)

Catalog Number	Enclosure Size HxWxD		Back Panel Catalog Number			
			White		Galvanized	
			Full	Half	Full	Half
WA722424FSDA	72.12x24.12x24.25	(1832x613x616)	WA72P24F1	WA72P24F2	WA72P24F1G	WA72P24F2G
WA723024FSDA	72.12x30.12x24.25	(1832x765x616)	WA72P30F1	WA72P30F2	WA72P30F1G	WA72P30F2G
WA723624FSDA	72.12x36.12x24.25	(1832x917x616)	WA72P36F1	WA72P36F2	WA72P36F1G	WA72P36F2G
WA903624FSDA	90.12x36.12x24.25	(2289x917x616)	WA90P36F1	WA90P36F2	WA90P36F1G	WA90P36F2G
WA722430FSDA	72.12x24.12x30.25	(1832x613x768)	WA72P24F1	WA72P24F2	WA72P24F1G	WA72P24F2G
WA722436FSDA	72.12x24.12x36.25	(1832x613x921)	WA72P24F1	WA72P24F2	WA72P24F1G	WA72P24F2G
WA723636FSDA	72.12x36.12x36.25	(1832x917x921)	WA72P36F1	WA72P36F2	WA72P36F1G	WA72P36F2G
WA903636FSDA	90.12x36.12x36.25	(2289x917x921)	WA90P36F1	WA90P36F2	WA90P36F1G	WA90P36F2G



**WA-FSDAD SERIES ENCLOSURES
NEMA 12 TWO DOOR DUAL ACCESS FREESTANDING**




WA726024FSDAD

Industry Standards

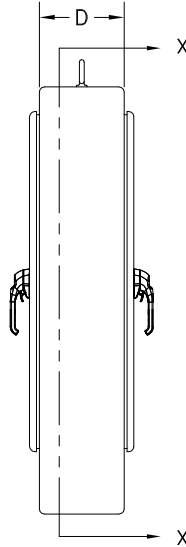
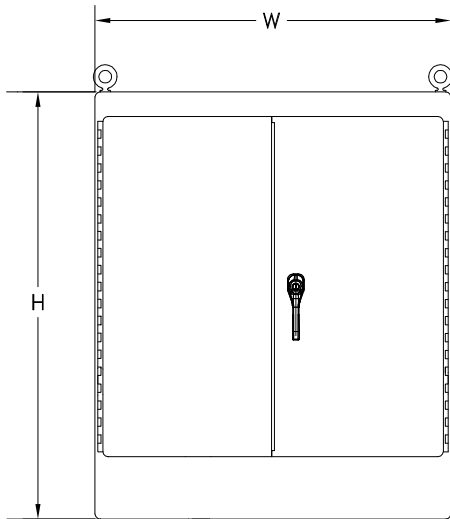
UL 508A, Type 12
CSA Certified, Type 12
NEMA/EEMAC Type 12

 UL Files E64791

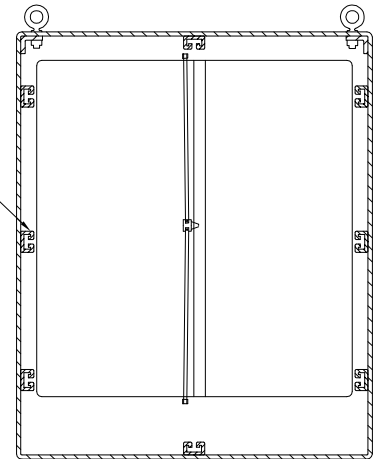
 CSA File LL66078

WA-FSDAD SERIES FREESTANDING TWO DOOR DUAL ACCESS ENCLOSURES (SEE PAGE C30 FOR BACK PANEL DIMENSIONS)

Catalog Number	Enclosure Size HxWxD		Back Panel Catalog Number			
			White		Galvanized	
			Full	Half	Full	Half
WA724824FSDAD	72.12x48.12x24.25	(1832x1222x616)	WA72P48F1	WA72P48F2	WA72P48F1G	WA72P48F2G
WA726024FSDAD	72.12x60.12x24.25	(1832x1527x616)	WA72P60F1	WA72P60F2	WA72P60F1G	WA72P60F2G
WA727224FSDAD	72.12x72.12x24.25	(1832x1832x616)	WA72P72F1	WA72P72F2	WA72P72F1G	WA72P72F2G
WA907224FSDAD	90.12x72.12x24.25	(2289x1832x616)	WA90P72F1	WA90P72F2	WA90P72F1G	WA90P72F2G
WA726036FSDAD	72.12x60.12x36.25	(1832x1527x921)	WA72P60F1	WA72P60F2	WA72P60F1G	WA72P60F2G



MOUNTING CHANNEL



SECTION X-X

REGULAR PANELS ONLY (FULL & HALF) NEMA 4 & 12 SINGLE DOOR

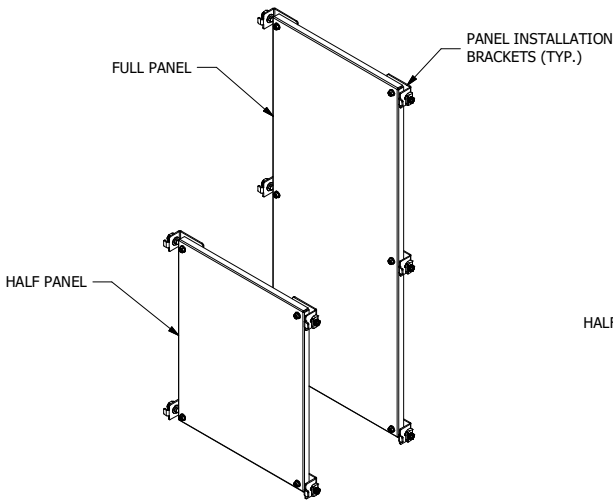
Catalog Number		Panel Size A x B
White	"G"	
WA60P24F1	WA60P24F1G	48.00x20.00 (1219x508A)
WA60P24F2	WA60P24F2G	24.88x20.00 (632x508A)
WA72P24F1	WA72P24F1G	60.00x20.00 (1524x508A)
WA72P24F2	WA72P24F2G	30.88x20.00 (784x508A)
WA90P24F1	WA90P24F1G	78.00x20.00 (1981x508A)
WA90P24F2	WA90P24F2G	39.88x20.00 (1013x508A)
WA72P30F1	WA72P30F1G	60.00x26.00 (1524x660)
WA72P30F2	WA72P30F2G	30.88x26.00 (784x660)
WA60P36F1	WA60P36F1G	48.00x32.00 (1219x813)
WA60P36F2	WA60P36F2G	24.88x32.00 (632x813)
WA72P36F1	WA72P36F1G	60.00x32.00 (1524x813)
WA72P36F2	WA72P36F2G	30.88x32.00 (784x813)
WA90P36F1	WA90P36F1G	78.00x32.00 (1981x813)
WA90P36F2	WA90P36F2G	39.88x32.00 (1013x813)

NOTE: If used in a Two Door Enclosure, a center panel support must be ordered. (See page C31)

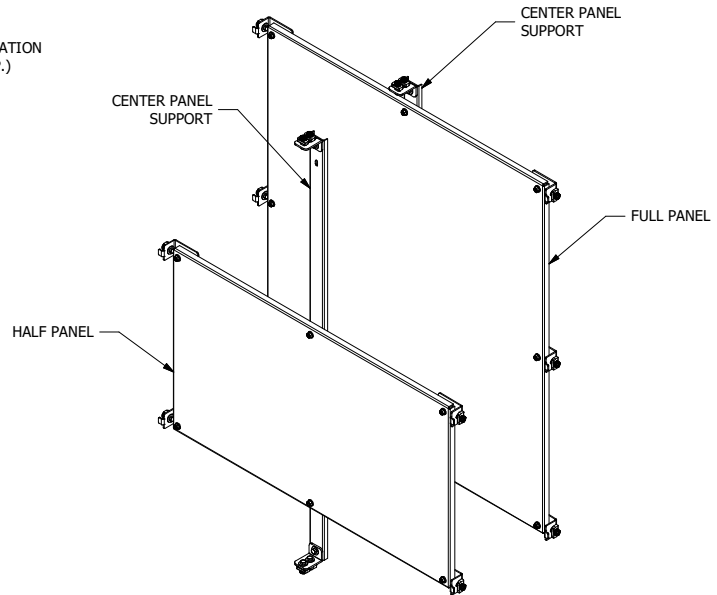
REGULAR PANELS ONLY (FULL & HALF) NEMA 4 & 12 DOUBLE DOOR

Catalog Number		Panel Size A x B
White	"G"	
WA60P48F1	WA60P48F1G	48.00x44.00 (1219x1118)
WA60P48F2	WA60P48F2G	24.88x44.00 (632x1118)
WA72P48F1	WA72P48F1G	60.00x44.00 (1524x1118)
WA72P48F2	WA72P48F2G	30.88x44.00 (784x1118)
WA72P60F1	WA72P60F1G	60.00x56.00 (1524x1422)
WA72P60F2	WA72P60F2G	30.88x56.00 (784x1422)
WA72P72F1	WA72P72F1G	60.00x68.00 (1524x1727)
WA72P72F2	WA72P72F2G	30.88x68.00 (784x1727)
WA90P48F1	WA90P48F1G	78.00x44.00 (1981x1118)
WA90P48F2	WA90P48F2G	39.88x44.00 (1013x1118)
WA90P72F1	WA90P72F1G	78.00x68.00 (1981x1727)
WA90P72F2	WA90P72F2G	39.88x68.00 (1013x1727)

NOTE: Center Panel support is supplied with a regular Two Door Enclosure Panel. This support is used only as a brace. It is not intended to be used as a support for Single Door Panels, relay racks, etc.



SINGLE DOOR PANELS

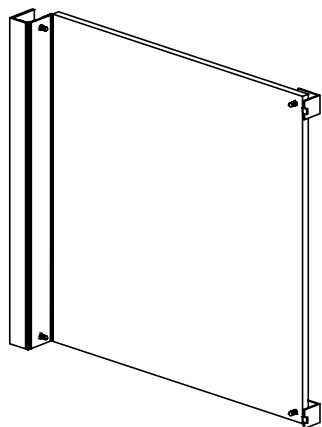


DOUBLE DOOR PANELS

**SWING OUT PANELS ONLY (FULL & HALF) NEMA 4 & 12
SINGLE OR DOUBLE DOOR**

Catalog Number		Panel Size A x B
White	"G"	
WA60SP24F3	WA60SP24F3G	48.00x19.00 (1219x483)
WA60SP24F4	WA60SP24F4G	24.88x19.00 (632x483)
WA72SP24F3	WA72SP24F3G	60.00x19.00 (1524x483)
WA72SP24F4	WA72SP24F4G	30.88x19.00 (784x483)
WA72SP30F3	WA72SP30F3G	60.00x25.00 (1524x635)
WA72SP30F4	WA72SP30F4G	30.88x25.00 (784x635)
WA60SP36F3	WA60SP36F3G	48.00x31.00 (1219x787)
WA60SP36F4	WA60SP36F4G	24.88x31.00 (632x787)
WA72SP36F3	WA72SP36F3G	60.00x31.00 (1524x787)
WA72SP36F4	WA72SP36F4G	30.88x31.00 (784x787)
WA90SP36F3	WA90SP36F3G	78.00x31.00 (1981x787)
WA90SP36F4	WA90SP36F4G	39.88x31.00 (1013x787)

NOTE: If used in a Two Door Enclosure, a center panel support must be ordered.



WA60SP24F3

**SIDE MOUNT PANELS ONLY (FULL & HALF) NEMA 4 & 12
SINGLE OR DOUBLE DOOR**

Catalog Number		Panel Size A x B
White	"G"	
WA60SMP14	WA60SMP14G	48.00x14.00 (1219x356)
WA72SMP14	WA72SMP14G	60.00x14.00 (1524x356)
WA72SMP20	WA72SMP20G	60.00x20.00 (1524x508A)
WA90SMP14	WA90SMP14G	78.00x14.00 (1981x356)
WA90SMP20	WA90SMP20G	78.00x20.00 (1981x508A)



WA60SMP14

CENTER PANEL SUPPORTS

Catalog Number	Description
WA60FSCPS	Center panel support for 60" high enclosures
WA72FSCPS	Center panel support for 72" high enclosures
WA90FSCPS	Center panel support for 90" high enclosures

CLAMP NUTS

Catalog Number	Description
WAPS1420CN	Clamp nut for mounting channel
WAPS3816CN	Clamp nut for mounting channel

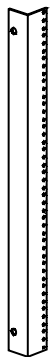
RELAY RACK ANGLES (FULL OR HALF) SINGLE OR DOUBLE DOOR

Catalog Number	Length "L"
WA60RP24F5	49.00 (1245)
WA60RP24F6	26.25 (667)
WA72RP24F5	61.25 (1556)
WA72RP24F6	31.50 (800)
WA72RP30F5	61.25 (1556)
WA72RP30F6	31.50 (800)
WA90RP24F5	78.75 (2000)
WA90RP24F6	40.25 (1022)

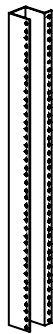
RELAY RACK ANGLES WITH THRU HOLES (TYPE RA)

Catalog Number	Fits Enclosure HxW	Rack Size	Angle Length "L"
WA60RA19TH	60.00x24.00 (1524x610)	19.00 (483)	49.00 (1245)
WA72RA19TH	72.00x24.00 (1829x610)	19.00 (483)	61.25 (1556)
WA72RA24TH	72.00x30.00 (1829x762)	24.00 (610)	61.25 (1556)
WA90RA19TH	90.00x24.00 (2286x610)	19.00 (483)	78.78 (2001)

NOTE: If used in a Two Door Enclosure, a center panel support must be ordered. (See page C31)



WA60RP24F5

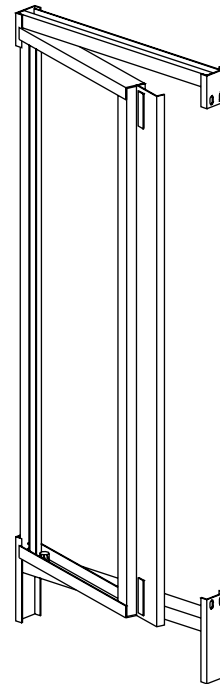


WA60RA19TH

SWING OUT RACK MOUNTING FRAMES

Catalog Number	Fits Enclosure HxW	Rack Size	Angle Length "T"
WA7230SOF19	72.00x30.00 (1829x762)	19.00 (483)	57.88 (1470)
WA7236SOF19	72.00x36.00 (1829x914)	19.00 (483)	57.88 (1470)
WA9036SOF19	90.00x36.00 (2286x914)	19.00 (483)	75.38 (1915)

NOTE: If used in a Two Door Enclosure, a center panel support must be ordered. (See page C31)



WA7230SOF19



WA86M5E

Industry Standards

UL 508A, Type 12
CSA Certified, Type 12
NEMA/EEMAC Type 12

 UL File E64791

 CSA File LL66078

FEATURES-SPECIFICATIONS

Applications

Designed to protect electronic controls, components, and instruments in typical industrial environments from dust, dirt, oil, and dripping water. These enclosures are used in machine tool applications for housing motor starters, drives, contactors, PLC's, as well as a wide variety of other electrical and electronic equipment found in automotive, pulp, and paper, wood products, textile, and similar industries. Select from three, four, or five door options to best meet your application requirements.

Construction

- Bodies and doors are fabricated from carbon steel
- Seams are continuously welded and ground smooth
- Stiffeners are welded to the back to maintain flatness and increase rigidity
- Heavy-duty removable lifting eyes are installed for easy handling
- 3-point Keylocking/Padlocking combo handle
- Light fixture mounting channel is provided
- Doors are supported by heavy gauge steel continuous hinges

- Doors are sealed with a closed cell neoprene gasket
- Removable back panels and back panel supports are provided
- Grounding provisions are provided

Finish

- ANSI 61 gray polyester powder inside and out
- Back panels are painted with a white polyester powder

Accessories

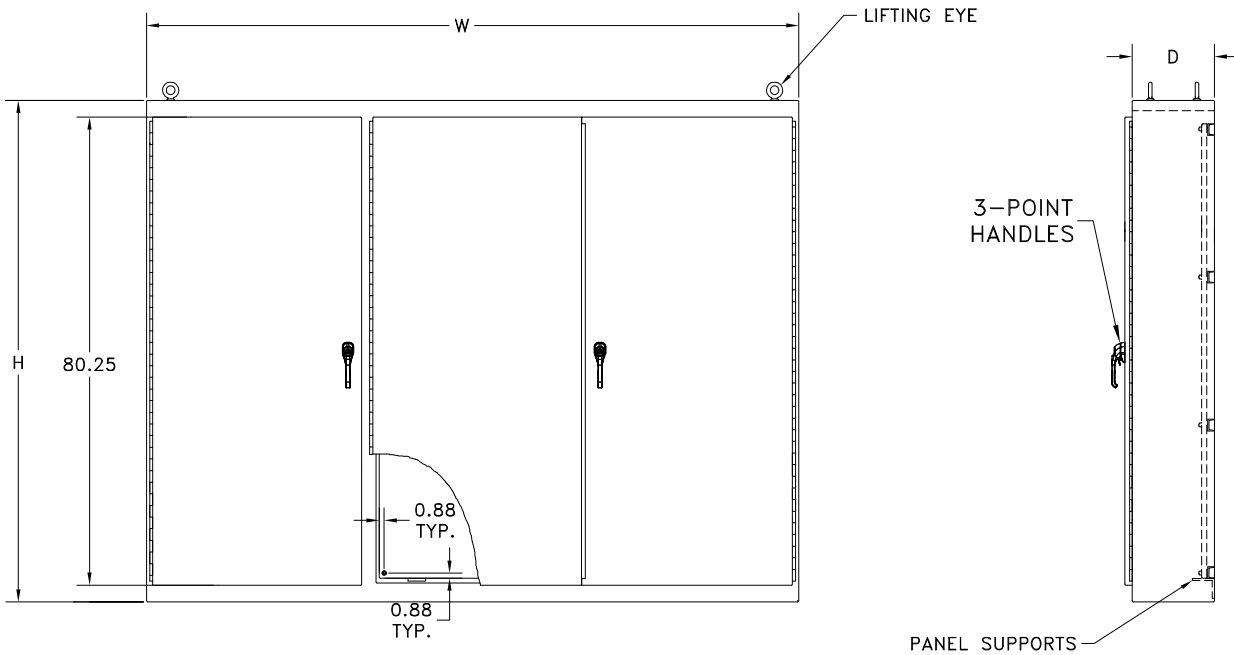
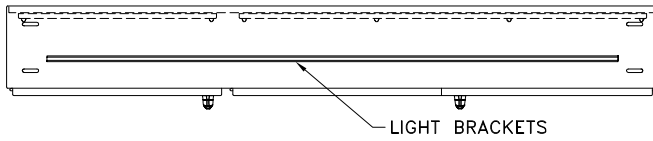
- See pages L1-L24

N12 SERIES MULTI-DOOR ENCLOSURES

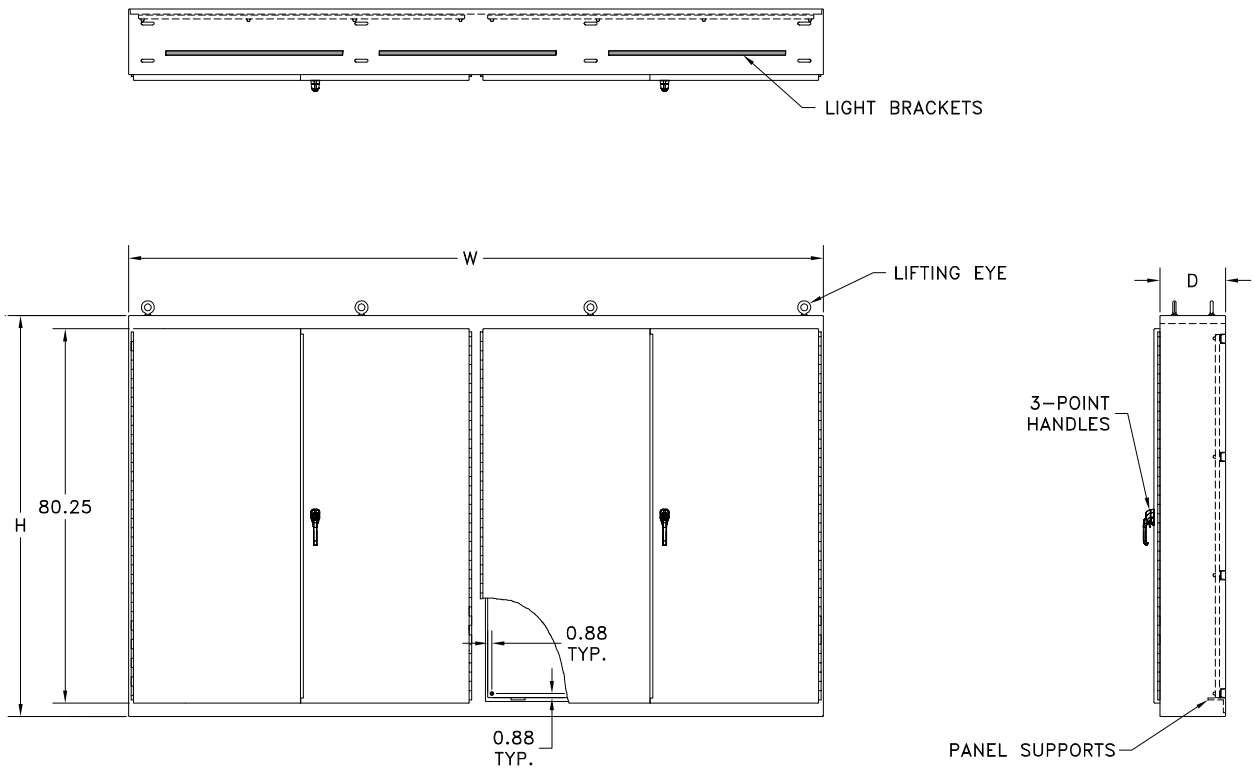
Catalog Number	Number of Doors	Enclosure Size HxWxD	Back Panel Size*		
			A x B		A x B
WA86M3E	3	86.13x112.13x14.13 (2188x2848x359)	(1) 78.00x70.00 (1981x1778)	and	(1) 78.00x34.00 (1981x864)
WA86M4E	4	86.13x149.13x14.13 (2188x3788x359)	(2) 78.00x70.00 (1981x1778)	and	No Panel
WA86M5E	5	86.13x187.13x14.13 (2188x4753x359)	(2) 78.00x70.00 (1981x1778)	and	(1) 78.00x34.00 (1981x864)
WA86M3E20	3	86.13x112.13x20.13 (2188x2848x511)	(1) 78.00x70.00 (1981x1778)	and	(1) 78.00x34.00 (1981x864)
WA86M4E20	4	86.13x149.13x20.13 (2188x3788x511)	(2) 78.00x70.00 (1981x1778)	and	No Panel
WA86M5E20	5	86.13x187.13x20.13 (2188x4753x511)	(2) 78.00x70.00 (1981x1778)	and	(1) 78.00x34.00 (1981x864)

*Back panels are furnished with enclosures.

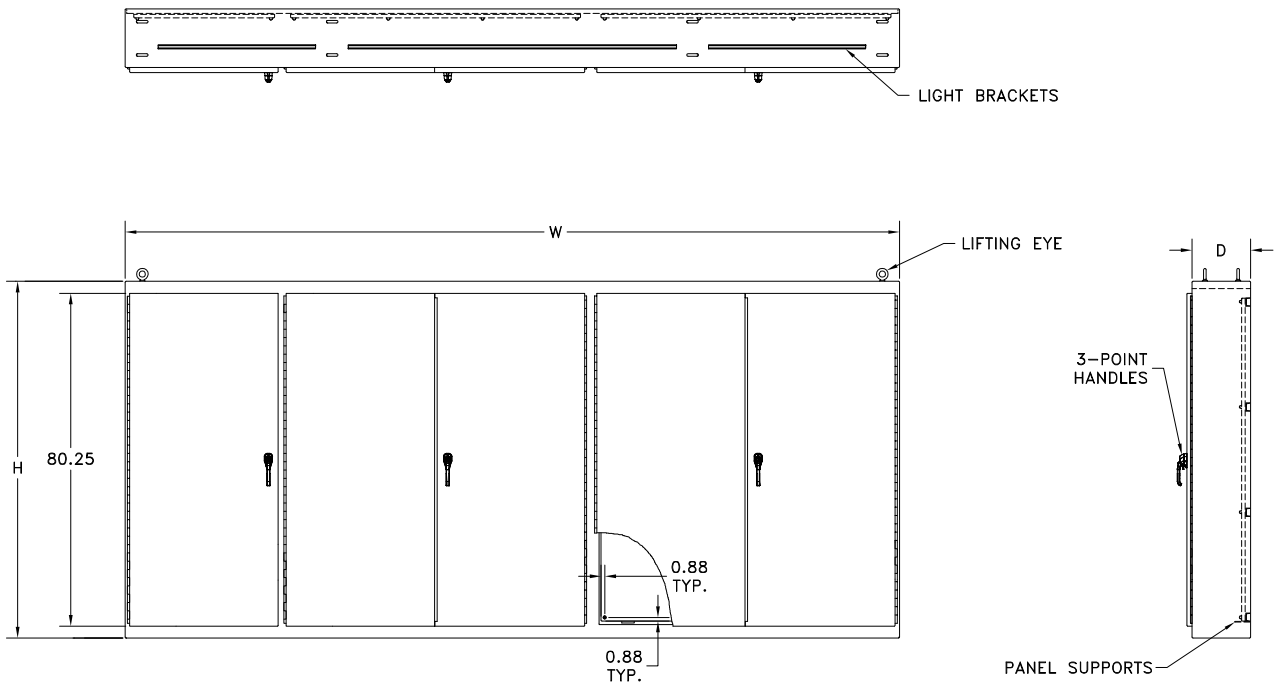
3-DOOR



4-DOOR



5-DOOR



Section D Index

BN4 Series

NEMA 4 JIC Lift-Off Cover Wall-Mount ... D2

BN4-CH Series

NEMA 4 JIC Continuous Hinge
Wall-Mount D4

Ultimate Mini-Max™

JIC Box Quarter-Turn Style..... D6

WA-GSC Series

NEMA 3 & 4 Screw-Cover
Moisture Proof..... D8

N412-C ULTIMATE Series

NEMA 4 & 12 Single Door Wall-Mount.. D10

N412-WC ULTIMATE Series

NEMA 4 & 12 Single Door with
Window Wall-Mount..... D13

N412-3PTC ULTIMATE Series

NEMA 4 Single Door with
3PT Handle D16

N412-CST ULTIMATE Series

NEMA 4 & 12 Slope-Top Single Door
Wall-Mount D18

N4 Series

NEMA 4 Single Door Wall-Mount..... D20

N4D Series

NEMA 4 Floor-Mount D22

N4S-FS Series

NEMA 4 Single Door Freestanding D24

N4D-3PT Series

NEMA 4 Two Door Floor-Mount with
3PT Handle D26

WA-FSN43PT Series

NEMA 4 Single Door Freestanding with
3PT Handle D28

WRD-FS4 Series

Single Door Freestanding
Heavy-Duty Removable Hinge..... D30

WRD-FS4D Series

Double Door Freestanding
Heavy-Duty Removable Hinge..... D32

NEMA 4 ENCLOSURES



BN4 SERIES ENCLOSURES NEMA 4 JIC LIFT-OFF COVER WALL-MOUNT




BN4060604

Industry Standards

UL 50, Type 4, 12 & 13
(6 X 6 X 4 & above)

UL 508A, Type 4, 12 & 13
(6 X 4 X 3 & smaller)

CSA Certified, Type 4 & 12
NEMA/EEMAC Type 4, 12 & 13
IEC 60529, IP66

 UL Files E23553, E64791, E470978

 CSA File LL66078

FEATURES-SPECIFICATIONS

Applications

Designed for use as instrument housing, electrical control enclosures, terminal wiring boxes or electrical junction boxes. Provides protection where equipment is hosed down or in outdoor applications.

Construction

- Bodies and doors are fabricated from carbon steel
- Seams are continuously welded and ground smooth

- Closed cell oil resistant neoprene gasket
- External mounting plate on the top and bottom of the enclosure
- Weldnuts are provided on models 6.00" x 4.00" or larger to secure **optional** back panels
- Stainless steel screws and clamps on four sides of cover to assure a water-tight seal
- Grounding provisions are provided

Finish

- ANSI-61 gray polyester powder inside and out
- **Optional** back panels are painted with a white polyester powder
- **Optional** "G" panels are pre-galvanized steel

Accessories

- Back panels (reference table)
- See pages L1-L24

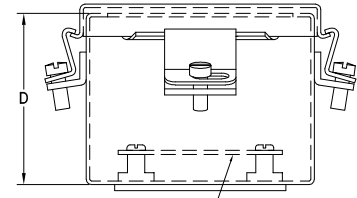
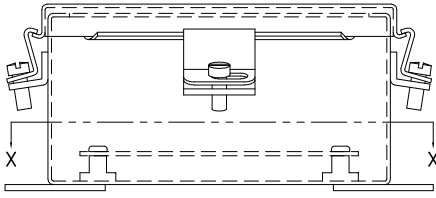
BN4 SERIES JIC LIFT-OFF COVER ENCLOSURES

Catalog Number	Enclosure Size HxWxD	Back Panel Catalog Number*		Back Panel Size A x B	Mounting Size C x E
		White	"G"		
BN4040403	4.00x4.00x3.00 (102x102x76)	—	—	—	4.75x2.00 (121x51)
BN4060403	6.00x4.00x3.00 (152x102x76)	P0604	P0604G	4.88x2.88 (124x73)	6.75x2.00 (171x51)
BN4060604	6.00x6.00x4.00 (152x152x102)	P0606	P0606G	4.88x4.88 (124x124)	6.75x4.00 (171x102)
BN4080603	8.00x6.00x3.50 (203x152x89)	P0806	P0806G	6.88x4.88 (175x124)	8.75x4.00 (222x102)
BN4100804	10.00x8.00x4.00 (254x203x102)	P1008	P1008G	8.88x6.88 (226x175)	10.75x6.00 (273x152)
BN4121005	12.00x10.00x5.00 (305x254x127)	P1210	P1210G	10.88x8.88 (276x226)	12.75x8.00 (324x203)
BN4141206	14.00x12.00x6.00 (356x305x152)	P1412	P1412G	12.88x10.88 (327x276)	14.75x10.00 (375x254)
BN4161406	16.00x14.00x6.00 (406x356x152)	P1614	P1614G	14.88x12.88 (378x327)	16.75x12.00 (425x305)

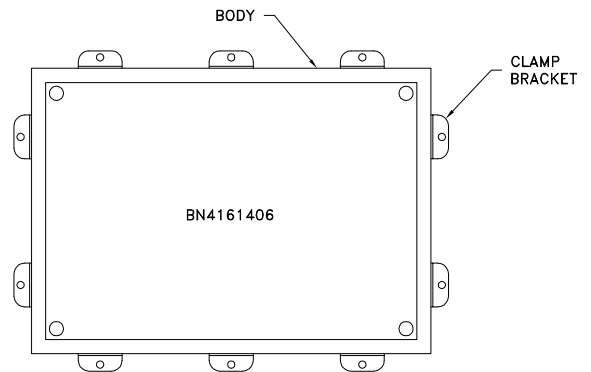
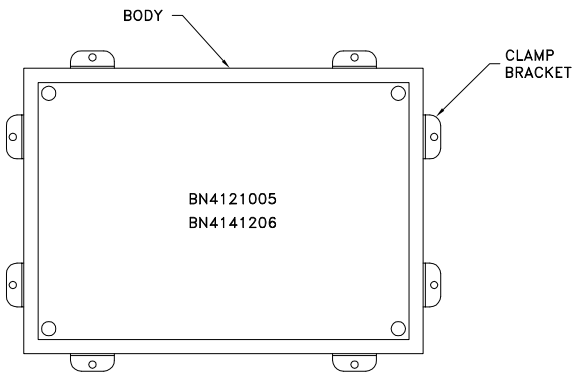
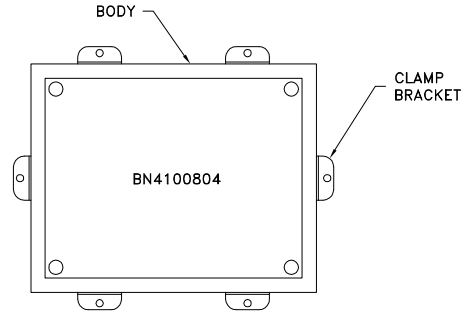
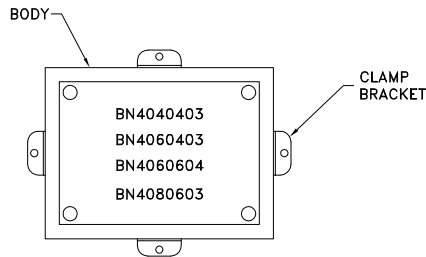
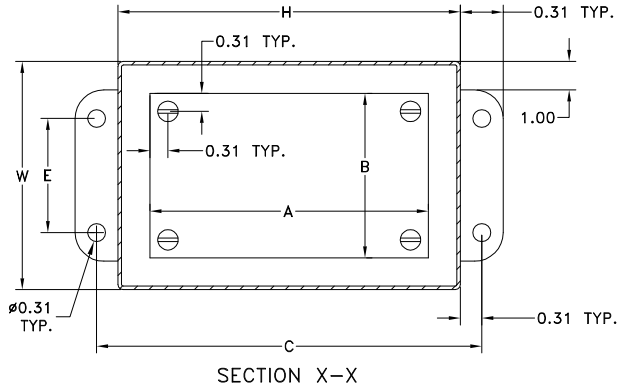
*Back panels must be ordered separately.

**BN4 SERIES ENCLOSURES
NEMA 4 JIC LIFT-OFF COVER WALL-MOUNT**

D3



Panel (Order Separately)



BN4 - CH SERIES ENCLOSURES NEMA 4 JIC CONTINUOUS HINGED WALL-MOUNT



BN4060604CH

Industry Standards

UL 50, Type 4, 12 & 13
CSA Certified, Type 4 & 12
NEMA/EEMAC Type 4, 12 & 13
IEC 60529, IP66



UL File E6924, E470978



CSA File LL66078

FEATURES-SPECIFICATIONS

Applications

Designed for use as instrument housing, electrical control enclosures, terminal wiring boxes or electrical junction boxes. Provides protection in areas that are hosed down or in outdoor applications.

Construction

- Bodies and doors are fabricated from carbon steel
- Seams are continuously welded and ground smooth
- Closed cell oil resistant neoprene gasket

- External mounting plates on the top and bottom of the enclosure
- Weldnuts are provided on models 6.00" x 4.00" and larger to secure **optional** back panels
- Continuous hinged cover is secured on three sides with stainless steel screws and clamps to assure a water-tight seal
- Cover is removable by pulling stainless steel hinge pin
- Grounding provisions are provided

Finish

- ANSI-61 gray polyester powder inside and out
- **Optional** back panels are painted with a white polyester powder
- **Optional** "G" panels are pre-galvanized steel

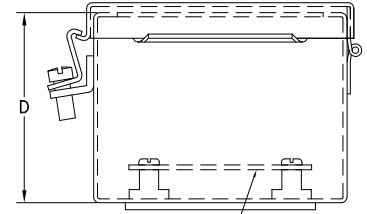
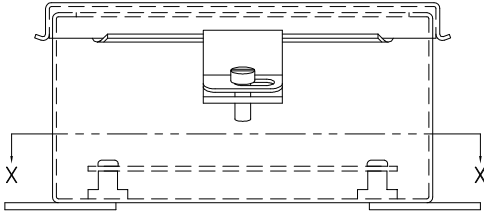
Accessories

- Back panels (reference table)
- See pages L1-L24

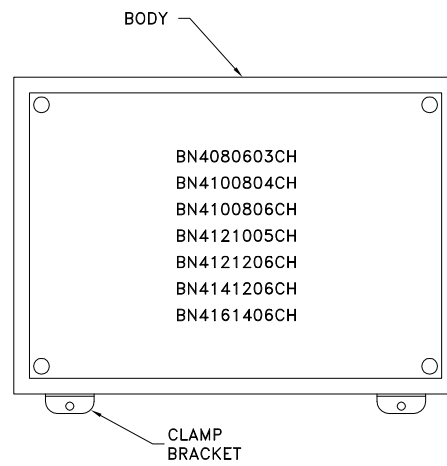
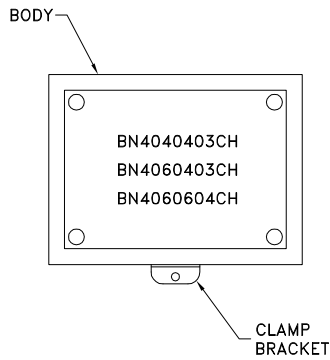
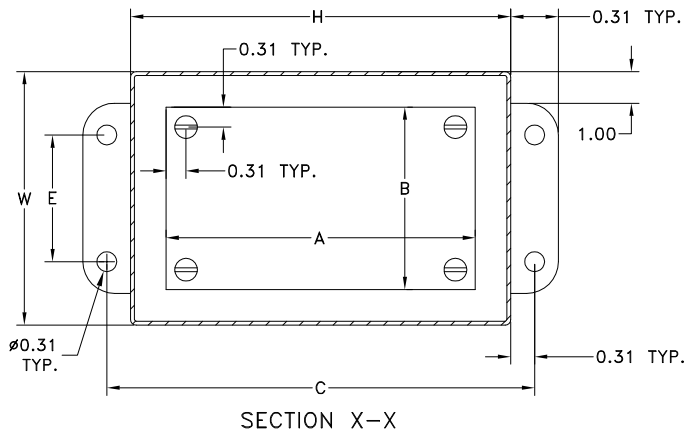
BN4 SERIES JIC CONTINUOUS HINGED ENCLOSURES

Catalog Number	Enclosure Size HxWxD	Back Panel Catalog Number*		Back Panel Size A x B	Mounting Size C x E
		White	"G"		
BN4040403CH	4.00x4.00x3.00 (102x102x76)	—	—	—	4.75x2.00 (121x51)
BN4060403CH	6.00x4.00x3.00 (152x102x76)	P0604	P0604G	4.88x2.88 (124x73)	6.75x2.00 (171x51)
BN4060604CH	6.00x6.00x4.00 (152x152x102)	P0606	P0606G	4.88x4.88 (124x124)	6.75x4.00 (171x102)
BN4080603CH	8.00x6.00x3.50 (203x152x89)	P0806	P0806G	6.88x4.88 (175x124)	8.75x4.00 (222x102)
BN4100804CH	10.00x8.00x4.00 (254x203x102)	P1008	P1008G	8.88x6.88 (226x175)	10.75x6.00 (273x152)
BN4100806CH	10.00x8.00x6.00 (254x203x152)	P1008	P1008G	8.88x6.88 (226x175)	10.75x6.00 (273x152)
BN4121005CH	12.00x10.00x5.00 (305x254x127)	P1210	P1210G	10.88x8.88 (276x226)	12.75x8.00 (324x203)
BN4121206CH	12.00x12.00x6.00 (305x305x152)	P1212	P1212G	10.88x10.88 (276x276)	12.75x10.00 (324x254)
BN4141206CH	14.00x12.00x6.00 (356x305x152)	P1412	P1412G	12.88x10.88 (327x276)	14.75x10.00 (375x254)
BN4161406CH	16.00x14.00x6.00 (406x356x152)	P1614	P1614G	14.88x12.88 (378x327)	16.75x12.00 (425x305)

*Back panels must be ordered separately.



Panel (Order Separately)




ULTIMATE MINI-MAX™ NEMA 4 JIC CONTINUOUS HINGE QUARTER-TURN



Industry Standards

UL 508A Type 4 & 12
CSA Certified, Type 4 & 12
NEMA/EEMAC Type 4 & 12
IEC 60529, IP66

 E64791, E470978

 CSA File LL66078

FEATURES-SPECIFICATIONS

Applications

Ultimate Mini-Max™ Series enclosures are designed to house and protect electrical and electronic components in harsh, dirty environments. For use in installations where dirt, dust, oil, water and other contaminants are present. Streamlined styling, ¼ turn latch and attractive durable finish complement any high tech electronic equipment.

Construction

- Bodies and doors are fabricated from carbon steel

- Seams are continuously welded and ground smooth
- Doors are sealed with a poured in place gasket
- FTC flange around the entire door opening to channel liquids
- External mounting plates on the top and bottom of the enclosure
- Continuous hinged cover
- Cover is removable by pulling the stainless steel hinge pin
- 1/4 turn latch is interchangeable with many locking designs available

Finish

- ANSI-61 gray polyester powder inside and out
- **Optional** back panels are painted with a white polyester powder
- **Optional** “G” panels are pre-galvanized steel

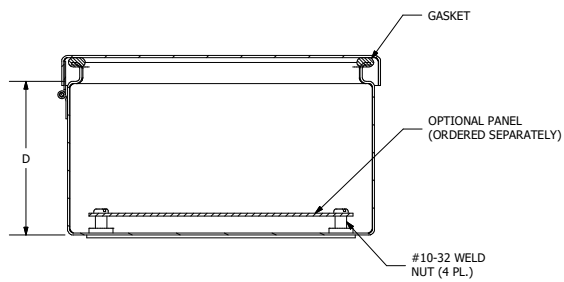
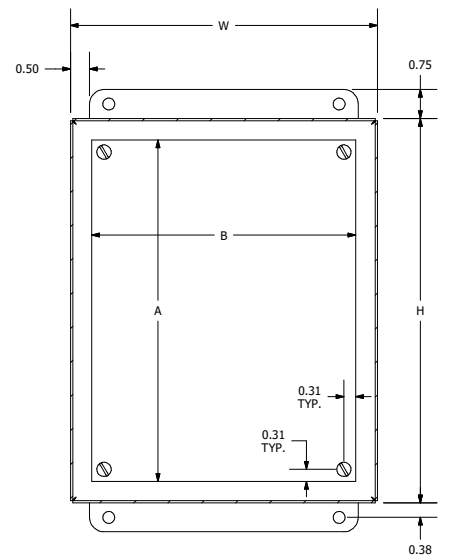
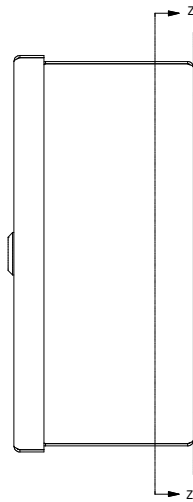
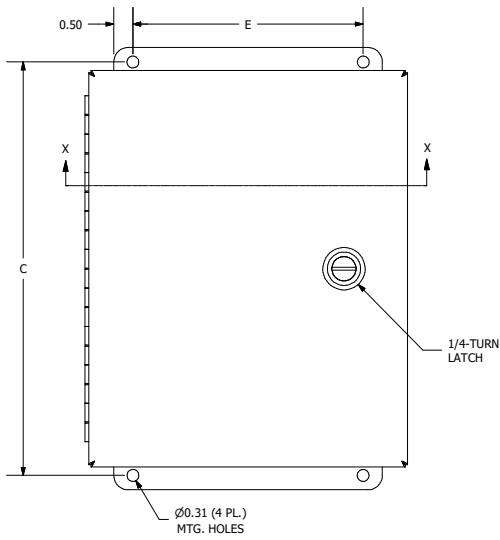
Accessories

- Back Panels (reference table)
- See pages L1-L24

ULTIMATE MINI-MAX™ JIC BOX QUARTER-TURN STYLE

Catalog Number	Enclosure Size HxWxD	Back Panel Catalog Number*		Back Panel Size A x B	Mounting C x E
		White	“G”		
BN4060604CHQT	6.00 x 6.00 x 4.00	P0606	P0606G	4.88 x 4.88	6.76 x 4.50
BN4080604CHQT	8.00 x 6.00 x 4.00	P0806	P0806G	6.88 x 4.88	8.76 x 4.50
BN4100804CHQT	10.00 x 8.00 x 4.00	P1008	P1008G	8.88 x 6.88	10.76 x 6.50
BN4100806CHQT	10.00 x 8.00 x 6.00	P1008	P1008G	8.88 x 6.88	10.76 x 6.50
BN4121006CHQT	12.00 x 10.00 x 6.00	P1210	P1210G	10.88 x 8.88	12.76 x 8.50
BN4121206CHQT	12.00 x 12.00 x 6.00	P1212	P1212G	10.88 x 10.88	12.76 x 10.50
BN4141206CHQT	14.00 x 12.00 x 6.00	P1412	P1412G	12.88 x 10.88	14.76 x 10.50
BN4161406CHQT	16.00 x 14.00 x 6.00	P1614	P1614G	14.88 x 12.88	16.76 x 12.50
BN4121008CHQT	12.00 x 10.00 x 8.00	P1210	P1210G	10.88 x 8.88	12.76 x 8.50
BN4121208CHQT	12.00 x 12.00 x 8.00	P1212	P1212G	10.88 x 10.88	12.76 x 10.50
BN4141208CHQT	14.00 x 12".00 x 8.00	P1412	P1412G	12.88 x 10.88	14.76 x 10.50
BN4161408CHQT	16.00 x 14.00 x 8.00	P1614	P1614G	14.88 x 12.88	16.76 x 12.50
BN4121010CHQT	12.00 x 10.00 x 10.00	P1210	P1210G	10.88 x 8.88	12.76 x 8.50
BN4121210CHQT	12.00 x 12.00 x 10.00	P1212	P1212G	10.88 x 10.88	12.76 x 10.50

*Back panels must be ordered separately.



WA - GSC SERIES ENCLOSURES NEMA 4 SCREW-COVER MOISTURE PROOF



WA060604GSC




WA060604GSCG

Industry Standards

UL50, Type 4
CSA Certified Type 4
NEMA/EEMAC Type 4

 UL File E23553

 CSA File LL66078

FEATURES-SPECIFICATIONS

Applications

Designed for use as a wiring box, junction box, pull box, or terminal box with many indoor or outdoor applications where dust or moisture is a problem.

Construction

- Bodies and covers are fabricated from carbon steel or pre-galvanized steel.

- Seams are continuously welded and ground smooth
- Cover contains a closed cell oil resistant neoprene gasket
- Enclosure comes with stainless steel cover screws which thread into sealed wells to prevent liquid, dust, etc., from entering into the enclosure through the screw holes
- No mounting provisions are provided

Finish

- ANSI-61 gray polyester powder inside and out
- Unpainted pre-galvanized steel

Accessories

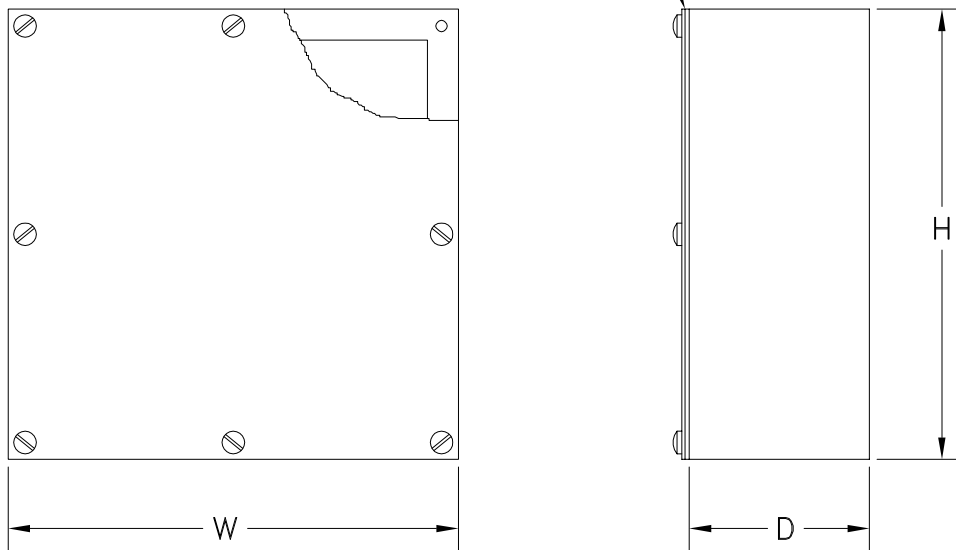
- See pages L1-L24

WA-GSC SERIES SCREW-COVER ENCLOSURES

Catalog Number		Enclosure Size HxWxD
Painted	Galvanized	
WA060604GSC	WA060604GSCG	6.125x6.125x4.00 (152x152x102)
WA060606GSC	WA060606GSCG	6.125x6.125x6.00 (152x152x152)
WA060804GSC	WA060804GSCG	6.125x8.125x4.00 (152x203x102)
WA060806GSC	WA060806GSCG	6.125x8.125x6.00 (152x203x152)
WA080804GSC	WA080804GSCG	8.125x8.125x4.00 (203x203x102)
WA080806GSC	WA080806GSCG	8.125x8.125x6.00 (203x203x152)
WA081004GSC	WA081004GSCG	8.125x10.125x4.00 (203x254x102)
WA101004GSC	WA101004GSCG	10.125x10.125x4.00 (254x254x102)
WA101006GSC	WA101006GSCG	10.125x10.125x6.00 (254x254x152)
WA101206GSC	WA101206GSCG	10.125x12.125x6.00 (254x305x152)
WA121204GSC	WA121204GSCG	12.125x12.125x4.00 (305x305x102)
WA121206GSC	WA121206GSCG	12.125x12.125x6.00 (305x305x152)
WA121606GSC	WA121606GSCG	12.125x16.125x6.00 (305x406x152)
WA121608GSC	WA121608GSCG	12.125x16.125x8.00 (305x406x203)
WA161606GSC	WA161606GSCG	16.125x16.125x6.00 (406x406x152)
WA161608GSC	WA161608GSCG	16.125x16.125x8.00 (406x406x203)
WA181806GSC	WA181806GSCG	18.125x18.125x6.00 (457x457x152)
WA202008GSC	WA202008GSCG	20.125x20.125x8.00 (508x508x203)
WA202408GSC	WA202408GSCG	20.125x24.125x8.00 (508x610x203)
WA242406GSC	WA242406GSCG	24.125x24.125x6.00 (610x610x152)
WA242408GSC	WA242408GSCG	24.125x24.125x8.00 (610x610x203)
WA303012GSC	WA303012GSCG	30.25x30.25x12.00 (762x762x305)
WA363612GSC	WA363612GSCG	36.25x36.25x12.00 (914x914x305)



CLOSED CELL GASKET
PROVIDED



**N412 - C ULTIMATE SERIES ENCLOSURES
NEMA 4 & 12 SINGLE DOOR WALL-MOUNT**



N412161206C

Industry Standards

UL 508A, Type 3R, 4, 12 & 13
CSA Certified, Type 3R, 4, 12 & 13
NEMA/EEMAC Type 3R, 4, 12 & 13
IEC 60529, IP66

Wall mounting kits required to maintain UL/CSA external mounting requirements

UL Files E64791, E470978

CSA File LL66078

FEATURES-SPECIFICATIONS

Applications

N412C ULTIMATE Series Enclosures are designed to house and protect electrical and electronic components in harsh, dirty environments. For use in installations where dirt, dust, oil, water, or other contaminants are present. Streamlined styling, flush latching, and attractive durable finish complement any high tech electronic equipment.

Construction

- Bodies and doors are fabricated from carbon steel
- Seams are continuously welded and ground smooth
- Increased tub opening for better access

- Concealed hinges
- Doors are interchangeable and easily removed
- Grounding provisions are provided
- 1/4-turn semi-flush latches are supplied to hold door securely closed
- Doors are sealed with a poured in place gasket
- Mounting holes in the back of the enclosure
- Studs for mounting **optional** Ultimate Series back panels are provided

Finish

- ANSI 61 gray polyester powder inside and out

- An **optional** RAL7035 textured light-gray polyester powder finish is available, but is made to order only. (see reference table)
- **Optional** back panels are painted with a white polyester powder
- **Optional** "G" panels are pre-galvanized steel

Accessories

- Back panels (reference table)
- See pages L22-L24 for ULTIMATE Series Accessories
- **Optional** N412MFK mounting foot kit must be ordered separately

N412C ULTIMATE SERIES SINGLE DOOR ENCLOSURES

Catalog Number		Enclosure Size HxWxD	Back Panel Catalog Number*		Back Panel Size A x B
White	Light Gray		White	"G"	
N412121206C	N412121206CLG	12.00x12.00x6.00 (305x305x152)	NP1212C	NP1212CG	10.2x10.2 (259x259)
N412161206C	N412161206CLG	16.00x12.00x6.00 (406x305x152)	NP1612C	NP1612CG	14.2x10.2 (361x259)
N412161606C	N412161606CLG	16.00x16.00x6.00 (406x406x152)	NP1616C	NP1616CG	14.2x14.2 (361x361)
N412162006C	N412162006CLG	16.00x20.00x6.00 (406x508x152)	NP2016C	NP2016CG	14.2x18.2 (361x462)
N412201606C	N412201606CLG	20.00x16.00x6.00 (508x406x152)	NP2016C	NP2016CG	18.2x14.2 (462x361)
N412202006C	N412202006CLG	20.00x20.00x6.00 (508x508x152)	NP2020C	NP2020CG	18.2x18.2 (462x462)
N412241606C	N412241606CLG	24.00x16.00x6.00 (610x406x152)	NP2416C	NP2416CG	22.2x14.2 (564x361)
N412242006C	N412242006CLG	24.00x20.00x6.00 (610x508x152)	NP2420C	NP2420CG	22.2x18.2 (564x462)
N412242406C	N412242406CLG	24.00x24.00x6.00 (610x610x152)	NP2424C	NP2424CG	22.2x22.2 (564x564)
N412121208C	N412121208CLG	12.00x12.00x8.00 (305x305x203)	NP1212C	NP1212CG	10.2x10.2 (259x259)
N412141408C	N412141408CLG	14.00x14.00x8.00 (327x327x203)	NP1414C	NP1414CG	12.2x12.2 (309x309)
N412161208C	N412161208CLG	16.00x12.00x8.00 (406x305x203)	NP1612C	NP1612CG	14.2x10.2 (361x259)
N412161608C	N412161608CLG	16.00x16.00x8.00 (406x406x203)	NP1616C	NP1616CG	14.2x14.2 (361x361)
N412162008C	N412162008CLG	16.00x20.00x8.00 (406x508x203)	NP2016C	NP2016CG	14.2x18.2 (361x462)
N412201608C	N412201608CLG	20.00x16.00x8.00 (508x406x203)	NP2016C	NP2016CG	18.2x14.2 (462x361)
N412202008C	N412202008CLG	20.00x20.00x8.00 (508x508x203)	NP2020C	NP2020CG	18.2x18.2 (462x462)
N412241608C	N412241608CLG	24.00x16.00x8.00 (610x406x203)	NP2416C	NP2416CG	22.2x14.2 (564x361)
N412242008C	N412242008CLG	24.00x20.00x8.00 (610x508x203)	NP2420C	NP2420CG	22.2x18.2 (564x462)
N412302008C	N412302008CLG	30.00x20.00x8.00 (762x508x203)	NP3020C	NP3020CG	28.2x18.2 (716x462)
N412202408C	N412202408CLG	20.00x24.00x8.00 (508x610x203)	NP2420C	NP2420CG	18.2x22.2 (462x564)

*Back panels must be ordered separately.

continued on page D11

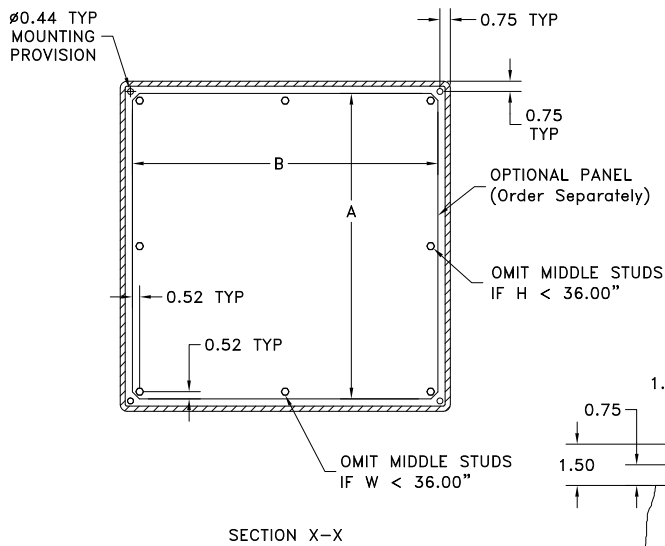
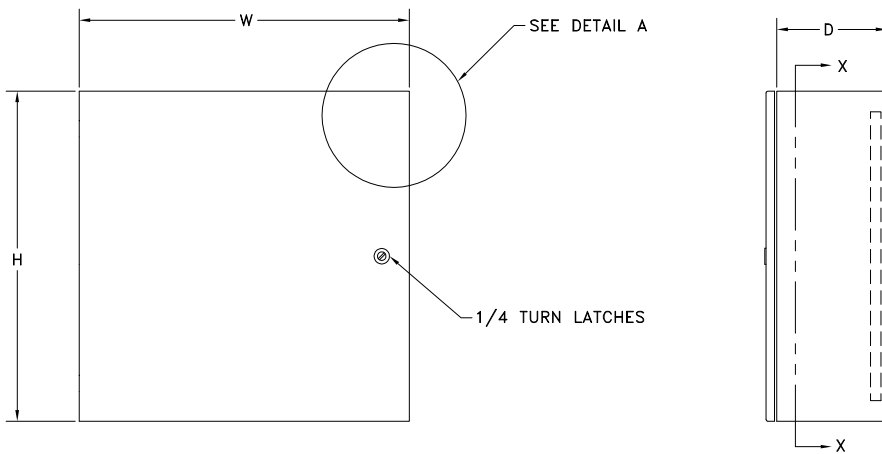
N412 - C ULTIMATE SERIES ENCLOSURES NEMA 4 & 12 SINGLE DOOR WALL-MOUNT

D11

N412C ULTIMATE SERIES SINGLE DOOR ENCLOSURES (CONT.)

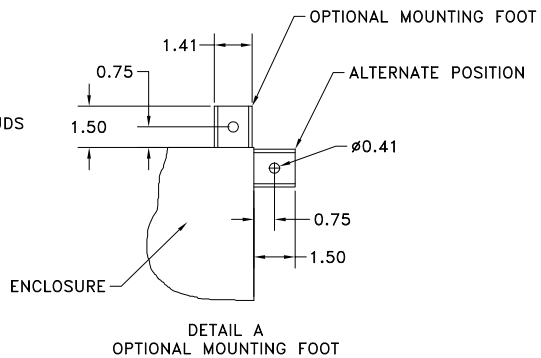
Catalog Number	Catalog Number	Enclosure Size HxWxD	Back Panel Catalog Number*		Back Panel Size A x B
			White	"G"	
N412242408C	N412242408CLG	24.00x24.00x8.00 (610x610x203)	NP2424C	NP2424CG	22.2x22.2 (564x564)
N412243008C	N412243008CLG	24.00x30.00x8.00 (610x762x203)	NP2430C	NP2430CG	22.2x28.2 (564x716)
N412302408C	N412302408CLG	30.00x24.00x8.00 (762x610x203)	NP3024C	NP3024CG	28.2x22.2 (716x564)
N412303008C	N412303008CLG	30.00x30.00x8.00 (762x762x203)	NP3030C	NP3030CG	28.2x28.2 (716x716)
N412362408C	N412362408CLG	36.00x24.00x8.00 (914x610x203)	NP3624C	NP3624CG	34.2x22.2 (869x564)
N412363008C	N412363008CLG	36.00x30.00x8.00 (914x762x203)	NP3630C	NP3630CG	34.2x28.2 (869x716)
N412363608C	N412363608CLG	36.00x36.00x8.00 (914x914x203)	NP3636C	NP3636CG	34.2x34.2 (869x869)
N412161210C	N412161210CLG	16.00x12.00x10.00 (406x305x254)	NP1612C	NP1612CG	14.2x10.2 (361x259)
N412161610C	N412161610CLG	16.00x16.00x10.00 (406x406x254)	NP1616C	NP1616CG	14.2x14.2 (361x361)
N412162010C	N412162010CLG	16.00x20.00x10.00 (406x508x254)	NP1620C	NP1620CG	14.2x18.2 (361x462)
N412201610C	N412201610CLG	20.00x16.00x10.00 (508x406x254)	NP2016C	NP2016CG	18.2x14.2 (462x361)
N412202010C	N412202010CLG	20.00x20.00x10.00 (508x508x254)	NP2020C	NP2020CG	18.2x18.2 (462x462)
N412202410C	N412202410CLG	20.00x24.00x10.00 (508x610x254)	NP2024C	NP2024CG	18.2x22.2 (462x564)
N412241610C	N412241610CLG	24.00x16.00x10.00 (610x406x254)	NP2416C	NP2416CG	22.2x14.2 (564x361)
N412242010C	N412242010CLG	24.00x20.00x10.00 (610x508x254)	NP2420C	NP2420CG	22.2x18.2 (564x462)
N412242410C	N412242410CLG	24.00x24.00x10.00 (610x610x254)	NP2424C	NP2424CG	22.2x22.2 (564x564)
N412243010C	N412243010CLG	24.00x30.00x10.00 (610x762x254)	NP3024C	NP3024CG	22.2x28.2 (564x716)
N412302010C	N412302010CLG	30.00x20.00x10.00 (762x508x254)	NP3020C	NP3020CG	28.2x18.2 (716x462)
N412302410C	N412302410CLG	30.00x24.00x10.00 (762x610x254)	NP3024C	NP3024CG	28.2x22.2 (716x564)
N412303010C	N412303010CLG	30.00x30.00x10.00 (762x762x254)	NP3030C	NP3030CG	28.2x28.2 (716x716)
N412362410C	N412362410CLG	36.00x24.00x10.00 (914x610x254)	NP3624C	NP3624CG	34.2x22.2 (869x564)
N412363010C	N412363010CLG	36.00x30.00x10.00 (914x762x254)	NP3630C	NP3630CG	34.2x28.2 (869x716)
N412363610C	N412363610CLG	36.00x36.00x10.00 (914x914x254)	NP3636C	NP3636CG	34.2x34.2 (869x869)
N412423610C	N412423610CLG	42.00x36.00x10.00 (1067x914x254)	NP4236C	NP4236CG	40.2x34.2 (1021x869)
N412482410C	N412482410CLG	48.00x24.00x10.00 (1219x610x254)	NP4824C	NP4824CG	46.2x22.2 (1173x564)
N412483610C	N412483610CLG	48.00x36.00x10.00 (1219x914x254)	NP4836C	NP4836CG	46.2x34.2 (1173x869)
N412603610C	N412603610CLG	60.00x36.00x10.00 (1524x914x254)	NP6036C	NP6036CG	58.2x34.2 (1478x869)
N412202012C	N412202012CLG	20.00x20.00x12.00 (508x508x305)	NP2020C	NP2020CG	18.2x18.2 (462x462)
N412242012C	N412242012CLG	24.00x20.00x12.00 (610x508x305)	NP2420C	NP2420CG	22.2x18.2 (564x462)
N412242412C	N412242412CLG	24.00x24.00x12.00 (610x610x305)	NP2424C	NP2424CG	22.2x22.2 (564x564)
N412302412C	N412302412CLG	30.00x24.00x12.00 (762x610x305)	NP3024C	NP3024CG	28.2x22.2 (716x564)
N412303012C	N412303012CLG	30.00x30.00x12.00 (762x762x305)	NP3030C	NP3030CG	28.2x28.2 (716x716)
N412362412C	N412362412CLG	36.00x24.00x12.00 (914x610x305)	NP3624C	NP3624CG	34.2x22.2 (869x564)
N412363012C	N412363012CLG	36.00x30.00x12.00 (914x762x305)	NP3630C	NP3630CG	34.2x28.2 (869x716)
N412363612C	N412363612CLG	36.00x36.00x12.00 (914x914x305)	NP3636C	NP3636CG	34.2x34.2 (869x869)
N412402412C	N412402412CLG	40.00x24.00x12.00 (1016x610x305)	NP4024C	NP4024CG	38.2x22.2 (970x564)
N412423612C	N412423612CLG	42.00x36.00x12.00 (1067x914x305)	NP4236C	NP4236CG	40.2x34.2 (1021x869)
N412482412C	N412482412CLG	48.00x24.00x12.00 (1219x610x305)	NP4824C	NP4824CG	46.2x22.2 (1173x564)
N412483612C	N412483612CLG	48.00x36.00x12.00 (1219x914x305)	NP4836C	NP4836CG	46.2x34.2 (1173x869)
N412603612C	N412603612CLG	60.00x36.00x12.00 (1524x914x305)	NP6036C	NP6036CG	58.2x34.2 (1478x869)
N412242416C	N412242416CLG	24.00x24.00x16.00 (610x610x406)	NP2424C	NP2424CG	22.2x22.2 (564x564)
N412363016C	N412363016CLG	36.00x30.00x16.00 (914x762x406)	NP3630C	NP3630CG	34.2x28.2 (869x716)
N412483616C	N412483616CLG	48.00x36.00x16.00 (1219x914x406)	NP4836C	NP4836CG	46.2x34.2 (1173x869)
N412242420C	N412242420CLG	24.00x24.00x20.00 (610x610x508)	NP2424C	NP2424CG	22.2x22.2 (564x564)
N412302420C	N412302420CLG	30.00x24.00x20.00 (762x610x508)	NP3024C	NP3024CG	28.2x22.2 (716x564)
N412363020C	N412363020CLG	36.00x30.00x20.00 (914x762x508)	NP3630C	NP3630CG	34.2x28.2 (869x716)

*Back panels must be ordered separately.



Notes:

1. Enclosures that are 24"x24" or larger receive two 1/4 turn latches. When H=40.00" or more a 3-point latch is provided.
2. Two hinges provided when H<36.00". Three hinges provided when H=36.00" or greater. Four hinges provided when H=48.00" or greater.





N412202006WC

Industry Standards

UL 508A, Type 3R, 4, 12 & 13
CSA Certified, Type 3R, 4, 12 & 13
NEMA/EEMAC Type 3R, 4, 12 & 13
IEC 60529, IP66

Wall mounting brackets required to maintain UL/CSA external mounting requirements.

 UL Files E64791, E470978

 CSA File LL66078

FEATURES-SPECIFICATIONS

Applications

N412WC ULTIMATE Series Enclosures are designed to house and protect electrical and electronic components in harsh, dirty environments. For use in installations where dirt, dust, oil, water, or other contaminants are present. Streamlined styling, flush latching, and attractive durable finish complement any high tech electronic equipment.

Construction

- Bodies and doors are fabricated from carbon steel
- Seams are continuously welded and ground smooth
- Increased tub opening for better access
- Concealed hinges

- Polycarbonate viewing window for clear visibility
- Doors are interchangeable and easily removed
- Grounding provisions are provided
- 1/4-turn semi-flush latches are supplied to hold door securely closed
- Doors are sealed with a poured in place gasket
- Mounting holes in the back of the enclosure
- Studs for mounting **optional** Ultimate Series back panels are provided

Finish

- ANSI 61 gray polyester powder inside and out
- An **optional** RAL7035 Textured light-gray polyester powder finish is available, but is made to order only (see reference table)
- **Optional** back panels are painted with a white polyester powder
- **Optional** "G" panels are pre-galvanized steel

Accessories

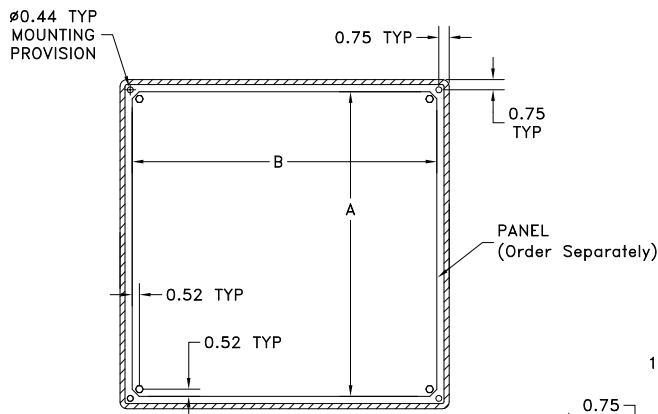
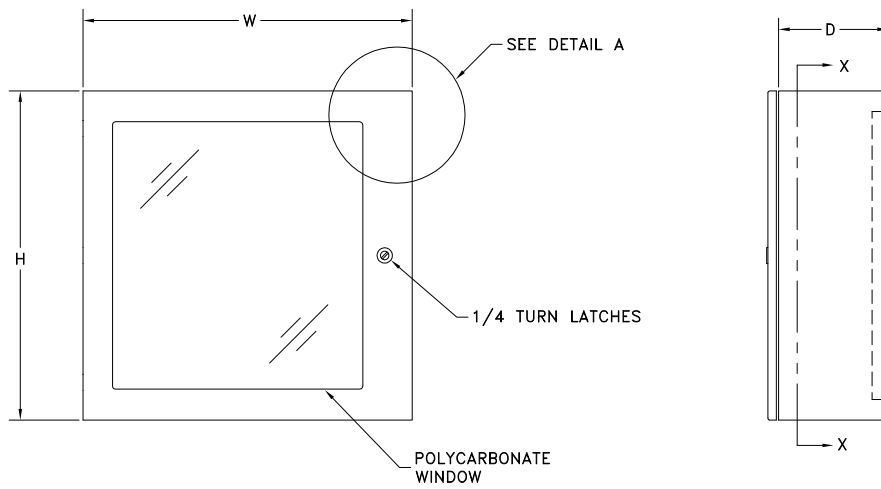
- Back panels (reference table)
- See pages L22-L24 for ULTIMATE Series Accessories
- **Optional** N412MFK mounting foot kit must be ordered separately

**N412 - WC ULTIMATE SERIES ENCLOSURES
NEMA 4 & 12 SINGLE DOOR WALL-MOUNT WITH WINDOW**

N412-WC ULTIMATE SERIES ENCLOSURES NEMA 4 & 12 SINGLE DOOR WALL-MOUNT WITH WINDOW

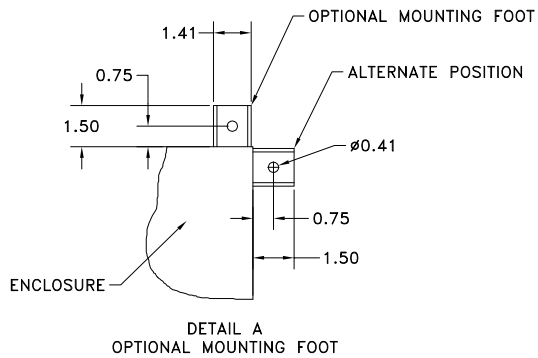
Catalog Number		Enclosure Size HxWxD	Viewable Window Area	Back Panel Catalog Number*		Back Panel Size A x B
White	Light Gray			White	"G"	
N412121206WC	N412121206WCLG	12.00x12.00x6.00 (305x305x152)	7.50x6.25 (191x159)	NP1212C	NP1212CG	10.2x10.2 (259x259)
N412161206WC	N412161206WCLG	16.00x12.00x6.00 (406x305x152)	11.50x6.25 (292x159)	NP1612C	NP1612CG	14.2x10.2 (361x259)
N412201606WC	N412201606WCLG	20.00x16.00x6.00 (406x406x152)	15.50x10.25 (394x260)	NP2016C	NP2016CG	18.2x14.2 (462x361)
N412202006WC	N412202006WCLG	20.00x20.00x6.00 (406x508x152)	15.50x14.25 (394x362)	NP2020C	NP2020CG	18.2x18.2 (462x462)
N412242006WC	N412242006WCLG	24.00x20.00x6.00 (508x406x152)	19.50x14.25 (495x362)	NP2420C	NP2420CG	22.2x18.2 (564x462)
N412242406WC	N412242406WCLG	24.00x24.00x6.00 (508x508x152)	19.50x18.25 (495x464)	NP2424C	NP2424CG	22.2x22.2 (564x564)
N412302406WC	N412302406WCLG	30.00x24.00x6.00 (610x406x152)	25.50x18.25 (648x464)	NP3024C	NP3024CG	28.2x22.2 (716x564)
N412121208WC	N412121208WCLG	12.00x12.00x8.00 (610x508x152)	7.50x6.25 (191x159)	NP1212C	NP1212CG	10.2x10.2 (259x259)
N412161208WC	N412161208WCLG	16.00x12.00x8.00 (610x610x152)	11.50x6.25 (292x159)	NP1612C	NP1612CG	14.2x10.2 (361x259)
N412201608WC	N412201608WCLG	20.00x16.00x8.00 (406x305x203)	15.50x10.25 (394x260)	NP2016C	NP2016CG	18.2x14.2 (462x361)
N412202008WC	N412202008WCLG	20.00x20.00x8.00 (406x406x203)	15.50x14.25 (394x362)	NP2020C	NP2020CG	18.2x18.2 (462x462)
N412242008WC	N412242008WCLG	24.00x20.00x8.00 (406x508x203)	19.50x14.25 (495x362)	NP2420C	NP2420CG	22.2x18.2 (564x462)
N412242408WC	N412242408WCLG	24.00x24.00x8.00 (508x406x203)	19.50x18.25 (495x464)	NP2424C	NP2424CG	22.2x22.2 (564x564)
N412302408WC	N412302408WCLG	30.00x24.00x8.00 (508x508x203)	25.50x18.25 (648x464)	NP3024C	NP3024CG	28.2x22.2 (716x564)
N412161210WC	N412161210WCLG	16.00x12.00x10.00 (508x610x203)	11.50x6.25 (292x159)	NP1612C	NP1612CG	14.2x10.2 (361x259)
N412201610WC	N412201610WCLG	20.00x16.00x10.00 (508x406x203)	15.50x10.25 (394x260)	NP2016C	NP2016CG	18.2x14.2 (462x361)
N412202010WC	N412202010WCLG	20.00x20.00x10.00 (508x508x203)	15.50x14.25 (394x362)	NP2020C	NP2020CG	18.2x18.2 (462x462)
N412242010WC	N412242010WCLG	24.00x20.00x10.00 (610x508x203)	19.50x14.25 (495x362)	NP2420C	NP2420CG	22.2x18.2 (564x462)
N412242410WC	N412242410WCLG	24.00x24.00x10.00 (610x610x203)	19.50x18.25 (495x464)	NP2424C	NP2424CG	22.2x22.2 (564x564)
N412302410WC	N412302410WCLG	30.00x24.00x10.00 (762x610x203)	25.50x18.25 (648x464)	NP3024C	NP3024CG	28.2x22.2 (716x564)
N412202012WC	N412202012WCLG	20.00x20.00x12.00 (508x508x203)	15.50x14.25 (394x362)	NP2020C	NP2020CG	18.2x18.2 (462x462)
N412242012WC	N412242012WCLG	24.00x20.00x12.00 (610x508x203)	19.50x14.25 (495x362)	NP2420C	NP2420CG	22.2x18.2 (564x462)
N412242412WC	N412242412WCLG	24.00x24.00x12.00 (610x610x203)	19.50x18.25 (495x464)	NP2424C	NP2424CG	22.2x22.2 (564x564)
N412302412WC	N412302412WCLG	30.00x24.00x12.00 (762x610x203)	25.50x18.25 (648x464)	NP3024C	NP3024CG	28.2x22.2 (716x564)
N412242416WC	N412242416WCLG	24.00x24.00x16.00 (610x610x203)	19.50x18.25 (495x464)	NP2424C	NP2424CG	22.2x22.2 (564x564)
N412242420WC	N412242420WCLG	24.00x24.00x20.00 (610x610x305)	19.50x18.25 (495x464)	NP2424C	NP2424CG	22.2x22.2 (564x564)
N412302420WC	N412302420WCLG	30.00x24.00x20.00 (610x610x305)	19.50x18.25 (495x464)	NP3024C	NP3024CG	28.2x22.2 (716x564)

*Back panels must be ordered separately.



Notes:

1. Two hinges provided with each enclosure.
2. Enclosures that are 24"x24" or larger receive two $\frac{1}{4}$ turn latches.



N412 - 3PTC ULTIMATE SERIES ENCLOSURES NEMA 4 SINGLE DOOR WALL-MOUNT



N4122416083PTC

Industry Standards

UL 508A Type 3R, 4, 12 & 13
CSA Certified, Type 3R, 4 & 12
NEMA/EEMAC Type 3R, 4, 12 & 13
IEC 60529, IP66

Wall mounting kits required to maintain UL/CSA external mounting requirements.

 UL File E64791, E470978

 CSA File LL66078

FEATURES-SPECIFICATIONS

Applications

N4123PTC ULTIMATE Series Enclosures are designed to house and protect electrical and electronic components in harsh, dirty environments. For use in installations where dirt, dust, oil, water, or other contaminants are present. Streamlined styling, flush latching, and attractive durable finish complement any high tech electronic equipment.

Construction

- Bodies and doors are fabricated from carbon steel.
- Seams are continuously welded and ground smooth

- Doors are interchangeable and easily removed
- Grounding studs are welded to the door and body assuring a positive ground
- Doors are sealed with a poured in place gasket
- Mounting holes in the back of the enclosure
- Studs for mounting **optional** Ultimate Series back panels are provided
- 3-point Keylocking/Padlocking combo handle

Finish

- ANSI 61 gray polyester powder inside and out
- **Optional** back panels are painted with a white polyester powder
- **Optional** "G" panels are pre-galvanized steel

Accessories

- **Optional** N412MFK mounting foot kit must be ordered separately
- Back panels (reference table)
- See pages L22-L24 for Ultimate Series accessories

N412-3PTC ULTIMATE SERIES ENCLOSURES NEMA 4 SINGLE DOOR WALL-MOUNT

Catalog Number	Enclosure Size HxWxD	Back Panel Catalog Number*		Back Panel Size A x B
		White	"G"	
N4121212061PTC	12.00x12.00x6.00 (305x305x152)	NP1212C	NP1212CG	10.2x10.2 (259x259)
N4121612061PTC	16.00x12.00x6.00 (406x305x152)	NP1612C	NP1612CG	14.2x10.2 (361x259)
N4121616061PTC	16.00x16.00x6.00 (406x406x152)	NP1616C	NP1616CG	14.2x14.2 (361x361)
N4121620061PTC	16.00x20.00x6.00 (406x508x152)	NP1620C	NP1620CG	14.2x18.2 (361x462)
N4122016061PTC	20.00x16.00x6.00 (508x406x152)	NP2016C	NP2016CG	18.2x14.2 (462x361)
N4122020061PTC	20.00x20.00x6.00 (508x508x152)	NP2020C	NP2020CG	18.2x18.2 (462x462)
N4122416063PTC	24.00x16.00x6.00 (610x406x152)	NP2416C	NP2416CG	22.2x14.2 (564x361)
N4122420063PTC	24.00x20.00x6.00 (610x508x152)	NP2420C	NP2420CG	22.2x18.2 (564x462)
N4122424063PTC	24.00x24.00x6.00 (610x610x152)	NP2424C	NP2424CG	22.2x22.2 (564x564)
N4121612081PTC	16.00x12.00x8.00 (406x305x203)	NP1612C	NP1612CG	14.2x10.2 (361x259)
N4121616081PTC	16.00x16.00x8.00 (406x406x203)	NP1616C	NP1616CG	14.2x14.2 (361x361)
N4121620081PTC	16.00x20.00x8.00 (406x508x203)	NP1620C	NP1620CG	14.2x18.2 (361x462)
N4122016081PTC	20.00x16.00x8.00 (508x406x203)	NP2016C	NP2016CG	18.2x14.2 (462x361)
N4122020081PTC	20.00x20.00x8.00 (508x508x203)	NP2020C	NP2020CG	18.2x18.2 (462x462)
N4122024081PTC	20.00x24.00x8.00 (508x610x203)	NP2024C	NP2024CG	18.2x22.2 (462x564)
N4122416083PTC	24.00x16.00x8.00 (406x305x203)	NP2416C	NP2416CG	22.2x14.2 (564x361)
N4122420083PTC	24.00x20.00x8.00 (610x508x203)	NP2420C	NP2420CG	22.2x18.2 (564x462)
N4122424083PTC	24.00x24.00x8.00 (610x610x203)	NP2424C	NP2424CG	22.2x22.2 (564x564)
N4122430083PTC	24.00x30.00x8.00 (610x762x203)	NP3024C	NP3024CG	22.2x28.2 (564x716)

*Back panels must be ordered separately.

continued on page D17

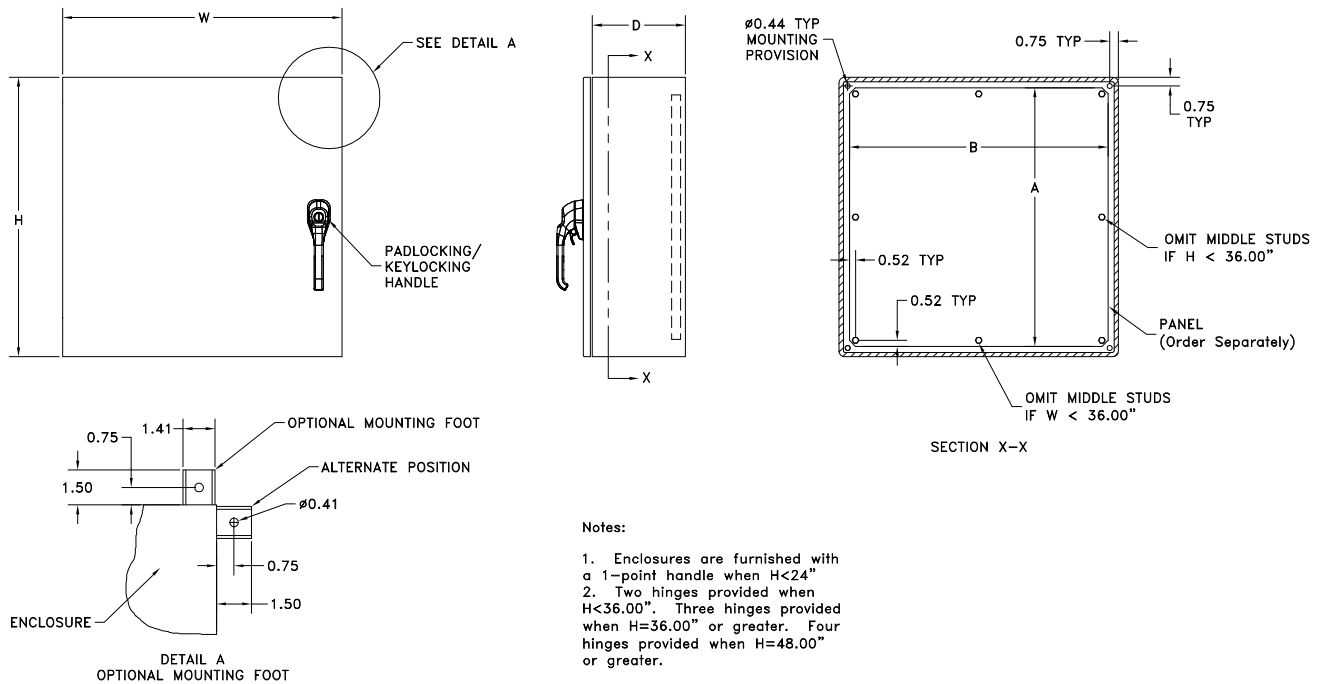
N412 - 3PTC ULTIMATE SERIES ENCLOSURES NEMA 4 SINGLE DOOR WALL-MOUNT

D17

N412-3PTC ULTIMATE SERIES ENCLOSURES NEMA 4 SINGLE DOOR WALL-MOUNT (CONT.)

Catalog Number	Enclosure Size HxWxD	Back Panel Catalog Number*		Back Panel Size A x B
		White	"G"	
N4123020083PTC	30.00x20.00x8.00 (762x508x203)	NP3020C	NP3020CG	28.2x18.2 (716x464)
N4123024083PTC	30.00x24.00x8.00 (762x610x203)	NP3024C	NP3024CG	28.2x22.2 (716x564)
N4123030083PTC	30.00x30.00x8.00 (762x762x203)	NP3030C	NP3030CG	28.2x28.2 (716x716)
N4123624083PTC	36.00x24.00x8.00 (914x610x203)	NP3624C	NP3624CG	34.2x22.2 (869x564)
N4123630083PTC	36.00x30.00x8.00 (914x508x305)	NP3630C	NP3630CG	34.2x28.2 (869x716)
N4123636083PTC	36.00x36.00x8.00 (914x914x203)	NP3636C	NP3636CG	34.2x34.2 (869x869)
N4122020121PTC	20.00x20.00x12.00 (508x508x305)	NP2020C	NP2020CG	18.2x18.2 (462x462)
N4122420123PTC	24.00x20.00x12.00 (610x508x305)	NP2420C	NP2420CG	22.2x18.2 (564x462)
N4122424123PTC	24.00x24.00x12.00 (610x610x305)	NP2424C	NP2424CG	22.2x22.2 (564x564)
N4123024123PTC	30.00x24.00x12.00 (762x610x305)	NP3024C	NP3024CG	28.2x22.2 (716x564)
N4123030123PTC	30.00x30.00x12.00 (762x762x305)	NP3030C	NP3030CG	28.2x28.2 (716x716)
N4123624123PTC	36.00x24.00x12.00 (914x610x305)	NP3624C	NP3624CG	34.2x22.2 (869x564)
N4123630123PTC	36.00x30.00x12.00 (914x762x305)	NP3630C	NP3630CG	34.2x28.2 (869x716)
N4123636123PTC	36.00x36.00x12.00 (914x914x305)	NP3636C	NP3636CG	34.2x34.2 (869x869)
N4124024123PTC	40.00x24.00x12.00 (1016x610x305)	NP4024C	NP4024CG	38.2x22.2 (970x564)
N4124236123PTC	42.00x36.00x12.00 (1067x914x305)	NP4236C	NP4236CG	40.2x34.2 (1021x869)
N4124824123PTC	48.00x24.00x12.00 (1219x610x305)	NP4824C	NP4824CG	46.2x22.2 (1173x564)
N4124836123PTC	48.00x36.00x12.00 (1219x914x305)	NP4836C	NP4836CG	46.2x34.2 (1173x869)
N4126036123PTC	60.00x36.00x12.00 (1524x914x305)	NP6036C	NP6036CG	58.2x34.2 (1478x869)
N4122424163PTC	24.00x24.00x16.00 (610x610x406)	NP2424C	NP2424CG	22.2x22.2 (564x564)
N4123630163PTC	36.00x30.00x16.00 (914x762x406)	NP3630C	NP3630CG	34.2x28.2 (869x716)
N4124836163PTC	48.00x36.00x16.00 (1219x914x406)	NP4836C	NP4836CG	46.2x34.2 (1173x869)
N4122424203PTC	24.00x24.00x20.00 (610x610x508)	NP2424C	NP2424CG	22.2x22.2 (564x564)
N4123024203PTC	30.00x24.00x20.00 (762x610x508)	NP3024C	NP3024CG	28.2x22.2 (716x564)
N4123630203PTC	36.00x30.00x20.00 (914x762x508)	NP3630C	NP3630CG	34.2x28.2 (869x716)

*Back panels must be ordered separately.



N412 - CST ULTIMATE SERIES ENCLOSURES NEMA 4 & 12 SLOPE-TOP SINGLE DOOR



N412241608CST

Industry Standards


UL 508A Type 3R, 4, 12 & 13

CSA Certified, Type 3R, 4 & 12

NEMA/EEMAC Type 3R, 4, 12 & 13

IEC 60529, IP66

Wall mounting kits required to maintain UL/CSA external mounting requirements.

 UL File E64791, E470978

 CSA File LL66078

FEATURES-SPECIFICATIONS

Applications

N412CST ULTIMATE Series Enclosures are designed to house and protect electrical and electronic components in harsh, dirty environments. For use in installations where dirt, dust, oil, water, or other contaminants are present. Streamlined styling, flush latching, and attractive durable finish complement any high tech electronic equipment.

Construction

- Bodies and doors are fabricated from carbon steel
- Seams are continuously welded and ground smooth
- Increased tub opening for better access

- 20° sloped top
- Sloped "Top Tub Flange"
- Concealed hinges
- Doors are interchangeable and easily removed
- Grounding provisions are provided
- 1/4-turn semi-flush latches are supplied to hold door securely closed
- Doors are sealed with a poured in place gasket
- Mounting holes in the back of the enclosure
- Studs for mounting **optional** Ultimate Series back panels are provided

Finish

- ANSI 61 gray polyester powder inside and out
- **Optional** back panels are painted with a white polyester powder
- **Optional** "G" panels are pre-galvanized steel

Accessories

- **Optional** N412MFK mounting foot kit must be ordered separately
- See pages L22-L24 for Ultimate Series accessories
- Back panels (reference table)

N412 - CST ULTIMATE SERIES ENCLOSURES NEMA 4 & 12 SLOPE-TOP SINGLE DOOR

Catalog Number	Enclosure Size HxWxD	Back Panel Catalog Number*		Back Panel Size A x B
		White	"G"	
N412121206CST	12.00x12.00x6.00 (305x305x152)	NP1212C	NP1212CG	10.2x10.2 (259x259)
N412161206CST	16.00x12.00x6.00 (406x305x152)	NP1612C	NP1612CG	14.2x10.2 (361x259)
N412201606CST	20.00x16.00x6.00 (508x406x152)	NP2016C	NP2016CG	18.2x14.2 (462x361)
N412202006CST	20.00x20.00x6.00 (508x508x152)	NP2020C	NP2020CG	18.2x18.2 (462x462)
N412161608CST	16.00x16.00x8.00 (406x406x203)	NP1616C	NP1616CG	14.2x14.2 (361x361)
N412201608CST	20.00x16.00x8.00 (508x406x203)	NP2016C	NP2016CG	18.2x14.2 (462x361)
N412202008CST	20.00x20.00x8.00 (508x508x203)	NP2020C	NP2020CG	18.2x18.2 (462x462)
N412242008CST	24.00x20.00x8.00 (610x508x203)	NP2420C	NP2420CG	22.2x18.2 (564x462)
N412242408CST	24.00x24.00x8.00 (610x610x203)	NP2424C	NP2424CG	22.2x22.2 (564x564)
N412302408CST	30.00x24.00x8.00 (762x610x203)	NP3024C	NP3024CG	28.2x22.2 (716x564)
N412303008CST	30.00x30.00x8.00 (762x762x203)	NP3030C	NP3030CG	28.2x28.2 (716x716)
N412363008CST	36.00x30.00x8.00 (914x508x305)	NP3630C	NP3630CG	34.2x28.2 (869x716)
N412242410CST	24.00x24.00x10.00 (610x610x254)	NP2424C	NP2424CG	22.2x22.2 (564x564)
N412302410CST	30.00x24.00x10.00 (762x610x254)	NP3024C	NP3024CG	28.2x22.2 (716x564)
N412363010CST	36.00x30.00x10.00 (914x762x254)	NP3630C	NP3630CG	34.2x28.2 (869x716)
N412483610CST	48.00x36.00x10.00 (1219x914x254)	NP4836C	NP4836CG	46.2x34.2 (1173x869)
N412242412CST	24.00x24.00x12.00 (610x610x305)	NP2424C	NP2424CG	22.2x22.2 (564x564)
N412302412CST	30.00x24.00x12.00 (762x610x305)	NP3024C	NP3024CG	28.2x22.2 (716x564)
N412363012CST	36.00x30.00x12.00 (914x762x305)	NP3630C	NP3630CG	34.2x28.2 (869x716)

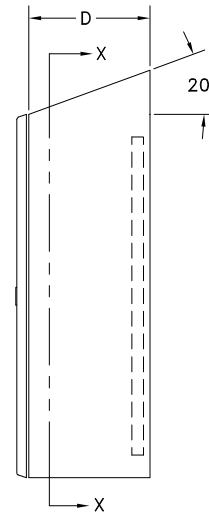
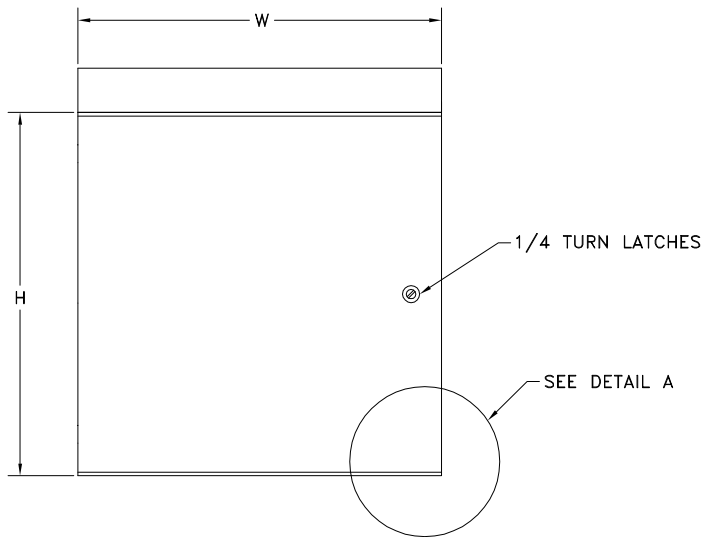
*Back panels must be ordered separately.

continued on page D19

N412 - CST ULTIMATE SERIES ENCLOSURES NEMA 4 & 12 SLOPE-TOP SINGLE DOOR (CONT.)

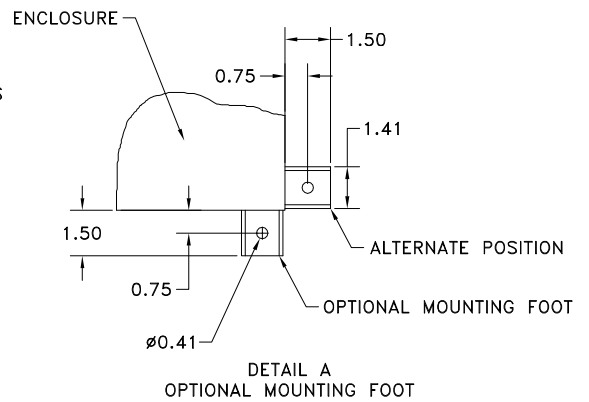
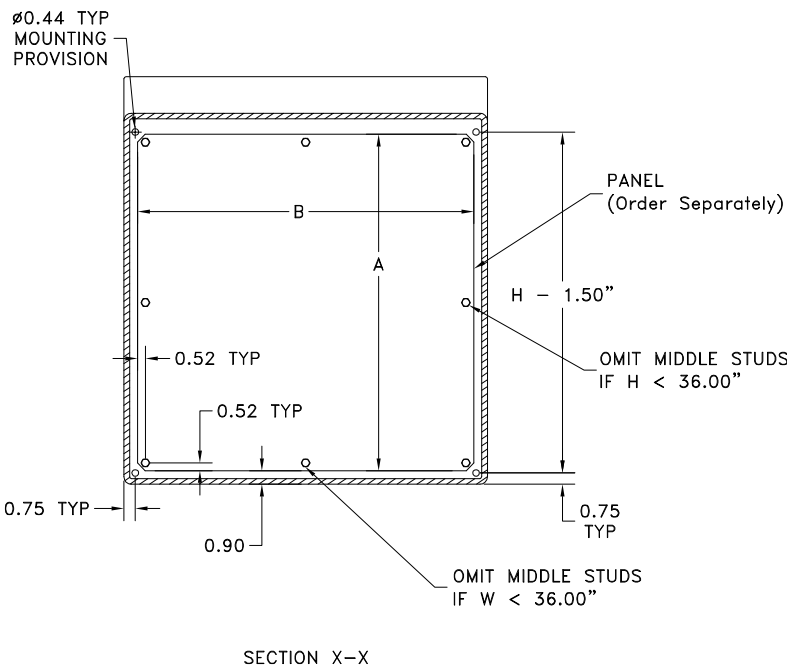
Catalog Number	Enclosure Size HxWxD	Back Panel Catalog Number*		Back Panel Size A x B
		White	"G"	
N412363612CST	36.00x36.00x12.00 (914x914x305)	NP3636C	NP3636CG	34.2x34.2 (869x869)
N412483612CST	48.00x36.00x12.00 (1219x914x305)	NP4836C	NP4836CG	46.2x34.2 (1173x869)
N412603612CST	60.00x36.00x12.00 (1524x914x305)	NP6036C	NP6036CG	58.2x34.2 (1478x869)
N412363016CST	36.00x30.00x16.00 (914x762x406)	NP3630C	NP3630CG	34.2x28.2 (869x716)
N412483616CST	48.00x36.00x16.00 (1219x914x406)	NP4836C	NP4836CG	46.2x34.2 (1173x869)
N412302420CST	30.00x24.00x20.00 (762x610x508)	NP3024C	NP3024CG	28.2x22.2 (716x564)

*Back panels must be ordered separately.



Notes:

1. Enclosures that are 24"X24" or larger receive two 1/4 -turn latches. When H=40" or more a 3-point latch is provided.
2. Two hinges provided when H<36.00". Three hinges provided when H=36.00" or greater. Four hinges provided when H=48.00" or greater.



N4 SERIES ENCLOSURES NEMA 4 SINGLE DOOR WALL-MOUNT



N4161206

Industry Standards

UL 508A, Type 4, 12 & 13
CSA Certified, Type 4 & 12
NEMA/EEMAC Type 4, 12 & 13
IEC 60529, IP66



UL Files E64791, E470978



CSA File LL66078

FEATURES-SPECIFICATIONS

Applications

Designed to house electronic controls, instruments, components, and associated wiring. These enclosures incorporate hinged doors which provide convenient access. Intended for indoor or outdoor use in protecting components from dust, dirt, oil, and hose directed water.

Construction

- Bodies and doors are fabricated from carbon steel
- Seams are continuously welded and ground smooth

- Door and body stiffeners are provided in larger enclosures for added rigidity
- Rolled lip on three sides of the door and all sides of the enclosure opening to exclude liquids and contaminants
- Quick and easy to operate stainless steel door clamps are provided
- Doors are removable by pulling stainless steel continuous hinge pin
- Hasp and staple are provided for padlocking
- Doors are sealed with a poured in place gasket

- Collar studs for mounting **optional** back panels are provided
- External mounting feet are provided
- Grounding provisions are provided

Finish

- ANSI-61 polyester powder inside and outside
- **Optional** back panels are painted with a white polyester powder
- **Optional** "G" panels are pre-galvanized steel

Accessories

- Back panels (reference table)
- See pages L1-L24

N4 SERIES SINGLE DOOR WALL-MOUNT ENCLOSURES

Catalog Number	Enclosure Size HxWxD	Back Panel Catalog Number*		Back Panel Size A x B
		White	"G"	
N4161206	16.00x12.00x6.00 (406x305x152)	NP1612	NP1612G	13.00x9.00 (330x229)
N4161606	16.00x16.00x6.00 (406x406x152)	NP1616	NP1616G	13.00x13.00 (330x330)
N4162006	16.00x20.00x6.00 (406x508x152)	NP2016	NP2016G	13.00x17.00 (330x432)
N4201606	20.00x16.00x6.00 (508x406x152)	NP2016	NP2016G	17.00x13.00 (432x330)
N4202006	20.00x20.00x6.00 (508x508x152)	NP2020	NP2020G	17.00x17.00 (432x432)
N4241206	24.00x12.00x6.00 (610x305x152)	NP2412	NP2412G	21.00x9.00 (533x229)
N4241606	24.00x16.00x6.00 (610x406x152)	NP2416	NP2416G	21.00x13.00 (533x330)
N4242006	24.00x20.00x6.00 (610x508x152)	NP2420	NP2420G	21.00x17.00 (533x432)
N4242406	24.00x24.00x6.00 (610x610x152)	NP2424	NP2424G	21.00x21.00 (533x533)
N4302006	30.00x20.00x6.00 (762x508x152)	NP3020	NP3020G	27.00x17.00 (686x432)
N4302406	30.00x24.00x6.00 (762x610x152)	NP3024	NP3024G	27.00x21.00 (686x533)
N4362406	36.00x24.00x6.00 (914x610x152)	NP3624	NP3624G	33.00x21.00 (838x533)
N4161208	16.00x12.00x8.00 (406x305x203)	NP1612	NP1612G	13.00x9.00 (330x229)
N4201608	20.00x16.00x8.00 (508x406x203)	NP2016	NP2016G	17.00x13.00 (432x330)
N4202008	20.00x20.00x8.00 (508x508x203)	NP2020	NP2020G	17.00x17.00 (432x432)
N4202408	20.00x24.00x8.00 (508x610x203)	NP2420	NP2420G	21.00x17.00 (533x432)
N4242008	24.00x20.00x8.00 (610x508x203)	NP2420	NP2420G	21.00x17.00 (533x432)
N4242408	24.00x24.00x8.00 (610x610x203)	NP2424	NP2424G	21.00x21.00 (533x533)

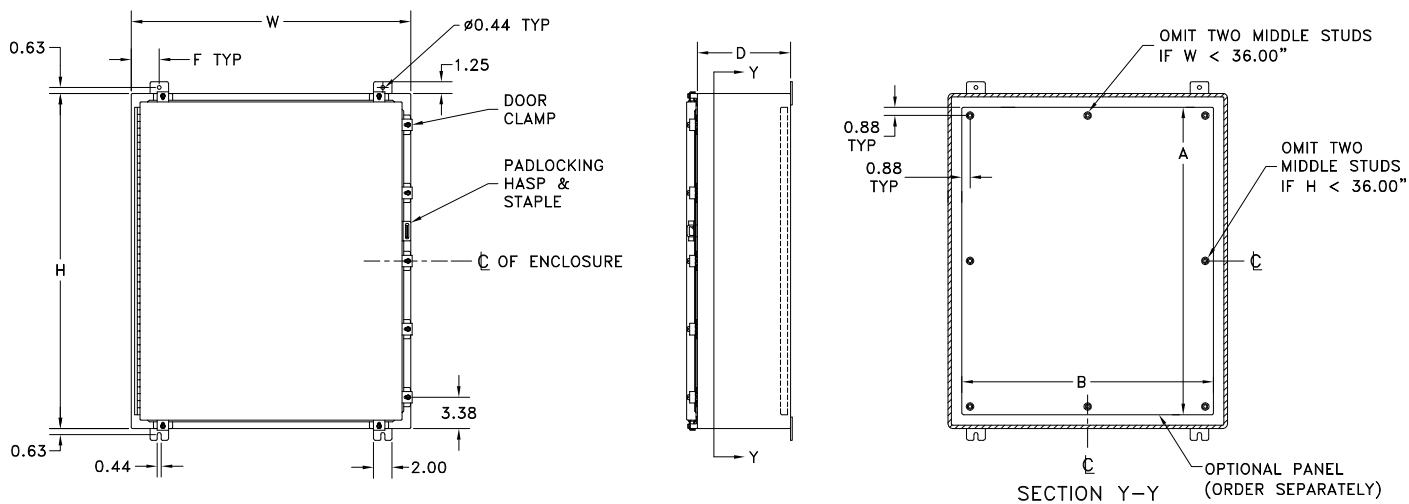
*Back panels must be ordered separately.

continued on page D21

N4 SERIES SINGLE DOOR WALL-MOUNT ENCLOSURES (CONT.)

Catalog Number	Enclosure Size HxWxD	Back Panel Catalog Number*		Back Panel Size A x B
		White	"G"	
N4243008	24.00x30.00x8.00 (610x762x203)		NP3024G	21.00x27.00 (533x686)
N4302008	30.00x20.00x8.00 (762x508x203)	NP3020	NP3020G	27.00x17.00 (686x432)
N4302408	30.00x24.00x8.00 (762x610x203)	NP3024	NP3024G	27.00x21.00 (686x533)
N4303008	30.00x30.00x8.00 (762x762x203)	NP3030	NP3030G	27.00x27.00 (686x686)
N4362408	36.00x24.00x8.00 (914x610x203)	NP3624	NP3624G	33.00x21.00 (838x533)
N4363008	36.00x30.00x8.00 (914x762x203)	NP3630	NP3630G	33.00x27.00 (838x686)
N4423008	42.00x30.00x8.00 (1067x762x203)	NP4230	NP4230G	39.00x27.00 (991x686)
N4423608	42.00x36.00x8.00 (1067x914x203)	NP4236	NP4236G	39.00x33.00 (991x838)
N4483608	48.00x36.00x8.00 (1219x914x203)	NP4836	NP4836G	45.00x33.00 (1143x838)
N4603608	60.00x36.00x8.00 (1524x914x203)	NP6036	NP6036G	57.00x33.00 (1448x838)
N4201610	20.00x16.00x10.00 (508x406x254)	NP2016	NP2016G	17.00x13.00 (432x330)
N4242010	24.00x20.00x10.00 (610x508x254)	NP2420	NP2420G	21.00x17.00 (533x432)
N4302410	30.00x24.00x10.00 (762x610x254)	NP3024	NP3024G	27.00x21.00 (686x533)
N4363010	36.00x30.00x10.00 (914x762x254)	NP3630	NP3630G	33.00x27.00 (838x686)
N4483010	48.00x30.00x10.00 (1219x762x254)	NP4830	NP4830G	45.00x27.00 (1143x686)
N4483610	48.00x36.00x10.00 (1219x914x254)	NP4836	NP4836G	45.00x33.00 (1143x838)
N4603610	60.00x36.00x10.00 (1524x914x254)	NP6036	NP6036G	57.00x33.00 (1448x838)
N4302412	30.00x24.00x12.00 (762x610x305)	NP3024	NP3024G	27.00x21.00 (686x533)
N4363012	36.00x30.00x12.00 (914x762x305)	NP3630	NP3630G	33.00x27.00 (838x686)
N4483612	48.00x36.00x12.00 (1219x914x305)	NP4836	NP4836G	45.00x33.00 (1143x838)
N4363016	36.00x30.00x16.00 (914x762x406)	NP3630	NP3630G	33.00x27.00 (838x686)
N4483616	48.00x36.00x16.00 (1219x914x406)	NP4836	NP4836G	45.00x33.00 (1143x838)
N4603616	60.00x36.00x16.00 (1524x914x406)	NP6036	NP6036G	57.00x33.00 (1448x838)

*Back panels must be ordered separately.



NOTES:

1. Panels have flanges along all sides when either dimension exceeds 17".
2. The number of door clamps is dependent on size of enclosure. Clamps are furnished along three sides of door.
3. F = 3" when W is 16" or greater and 1-1/4" when W is 12" or less.

**N4D SERIES ENCLOSURES
NEMA 4 FLOOR-MOUNT**



Industry Standards

UL 508A, Type 4 & 12
CSA Certified, Type 4 & 12
NEMA/EEMAC Type 4 & 12

 UL File E64791

 CSA File LL66078

FEATURES-SPECIFICATIONS

Applications

Designed to house electrical and electronic controls, components, and instruments in wet non-corrosive environments. Enclosures are suitable for indoor or outdoor use that may require hose down.

Construction

- Bodies, doors, and floor stand feet are fabricated from carbon steel
- Seams are continuously welded and ground smooth
- Body stiffeners are added for extra rigidity
- Rolled lip around three sides of the door and along the top of the enclosure opening excludes liquids and contaminants

- Quick and easy to operate stainless steel door clamps around three sides of the doors are provided
- Heavy gauge continuous hinges are provided to secure doors
- Doors are removable by pulling stainless steel continuous hinge pin
- Hasp and staple are provided for padlocking
- Standard 12" high floor kits are welded to the bottom of the enclosure
- Heavy-duty removable lifting eyes
- Collar studs for mounting **optional** back panels are provided
- Removable center post permits easy panel installations

- Doors are sealed with a poured in place gasket
- Grounding provisions are provided

Finish

- ANSI-61 gray polyester powder inside and out
- **Optional** back panels are painted with a white polyester powder
- **Optional** "G" panels are pre-galvanized steel

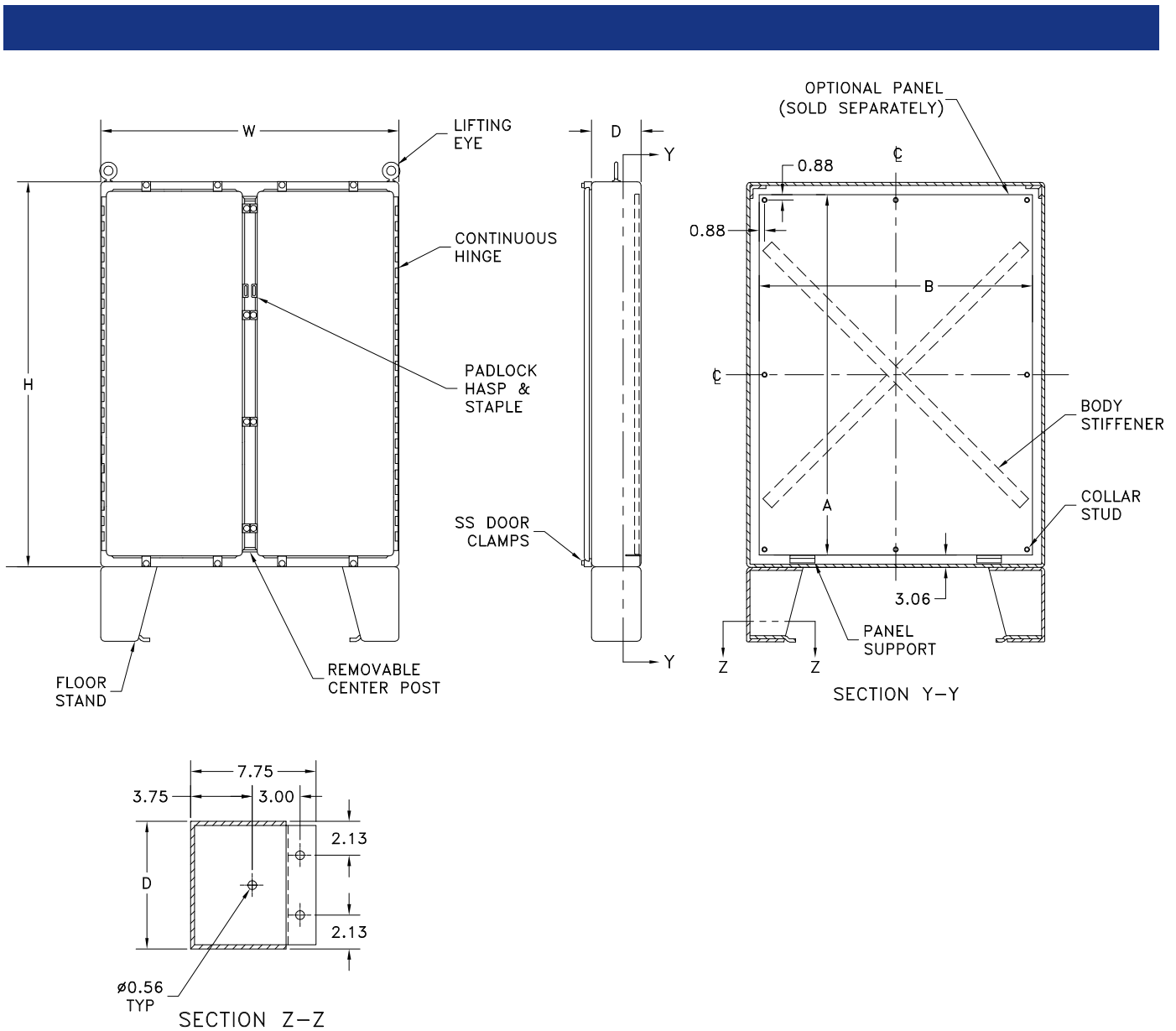
Accessories

- Back panels (reference table)
- See pages L1-L24

N4D SERIES NEMA 4 FLOOR-MOUNT ENCLOSURES

Catalog Number	Enclosure Size HxWxD	Back Panel Catalog Number*		Back Panel Size A x B
		White	"G"	
N4D624810	62.12x48.12x10.12 (1578x1222x257)	NPDD6048	NPDD6048G	56.00x44.00 (1422x1118)
N4D626012	62.12x60.12x12.12 (1578x1527x308)	NPDD6060	NPDD6060G	56.00x56.00 (1422x1422)
N4D746012	74.12x60.12x12.12 (1883x1527x308)	NPDD7260	NPDD7260G	68.00x56.00 (1727x1422)
N4D747212	74.12x72.12x12.12 (1883x1832x308)	NPDD7272	NPDD7272G	68.00x68.00 (1727x1727)
N4D747224	74.12x72.12x24.12 (1883x1832x613)	NPDD7272	NPDD7272G	68.00x68.00 (1727x1727)

*Back panels must be ordered separately.



**N4S - FS SERIES ENCLOSURES
NEMA 4 SINGLE DOOR FREESTANDING**



N4S723724FS

Industry Standards

UL 508A, Type 4 & 12
CSA Certified, Type 4 & 12
NEMA/EEMAC Type 4 & 12

 UL File E64791

 CSA File LL66078

FEATURES-SPECIFICATIONS

Applications

Designed to house electrical and electronic controls, terminals, and instruments in areas that are regularly hosed down or are otherwise very wet. Also suitable for outdoor applications.

Construction

- Bodies and doors are fabricated from carbon steel
- Seams are continuously welded and ground smooth
- Mounting channels are welded horizontally to the interior body. **Optional** swing panels and rack angles can be mounted anywhere along the mounting channels

- Rolled lip around three sides of the door and along the top of the enclosure opening excludes liquids and contaminants
- Quick and easy to operate stainless steel door clamps around three sides of doors
- Heavy gauge continuous hinge
- Doors are removable by pulling stainless steel continuous hinge pin
- Hasp and staple are provided for padlocking
- Heavy-duty removable lifting eyes
- Doors are sealed with a poured in place gasket
- Grounding provisions are provided

Finish

- ANSI-61 gray polyester powder inside and out
- **Optional** back panels are painted with a white polyester powder

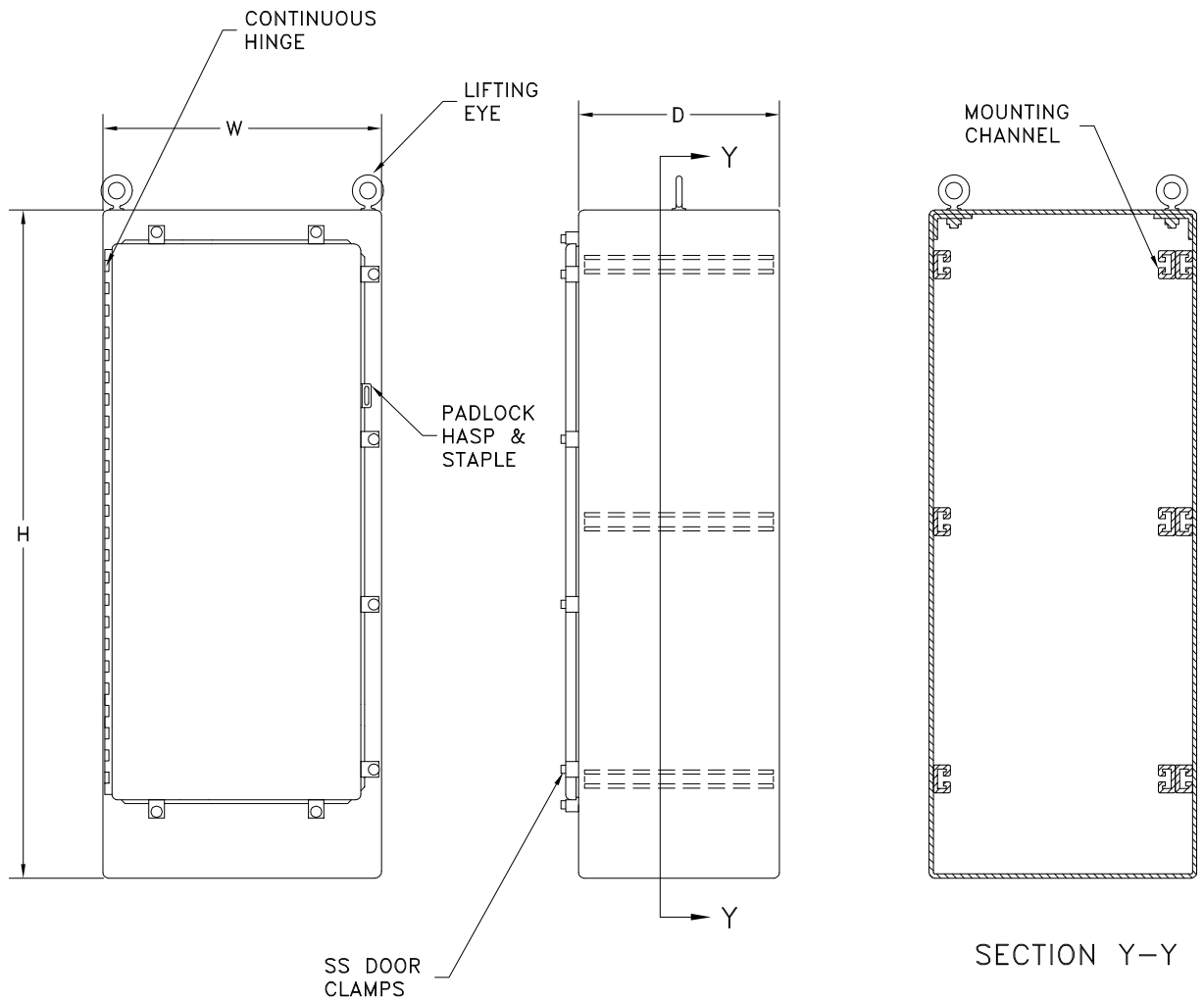
Accessories

- Back panels (reference table)
- See pages L1-L24

N4S-FS SERIES SINGLE DOOR FREESTANDING ENCLOSURES

Catalog Number	Enclosure Size HxWxD	Back Panels Catalog Number*
N4S722518FS	72.12x25.12x18.12 (1832x638x460)	WA72P24F1 (60.00X20.00)
N4S723124FS	72.12x31.12x24.12 (1832x790x613)	WA72P30F1 (60.00X26.00)
N4S723724FS	72.12x37.12x24.12 (1832x943x613)	WA72P36F1 (60.00X32.00)

*Back panels must be ordered separately.




**N4D - 3PT SERIES ENCLOSURES
NEMA 4 TWO DOOR FLOOR-MOUNT**



Industry Standards

UL 508A, Type 3, 4 & 12
CSA Certified, Type 12
NEMA/EEMAC Type 3, 4 & 12

 UL File E64791

 CSA File LL66078

FEATURES-SPECIFICATIONS

Applications

Designed to house electrical and electronic controls, components, and instruments in wet non-corrosive environments. Enclosures are suitable for indoor or outdoor use that may require hose down.

Construction

- Bodies, doors, and floor stand feet are fabricated from carbon steel
- Seams are continuously welded and ground smooth
- Body stiffeners are added for extra rigidity

- Rolled lip around three sides of the door and along the top of the enclosure opening excludes liquids and contaminants
- 3-point Keylocking/Padlocking combo handle
- Heavy gauge continuous hinges are provided to secure doors
- Doors are removable by pulling stainless steel continuous hinge pin
- Standard 12" high floor kits are welded to the bottom of the enclosure
- Heavy-duty removable lifting eyes
- Collar studs for mounting **optional** back panels are provided
- Removable center post permits easy panel installations

- Doors are sealed with a poured in place gasket
- Grounding provisions are provided

Finish

- ANSI-61 gray polyester powder inside and out
- **Optional** back panels are painted with a white polyester powder
- **Optional** "G" panels are pre-galvanized steel

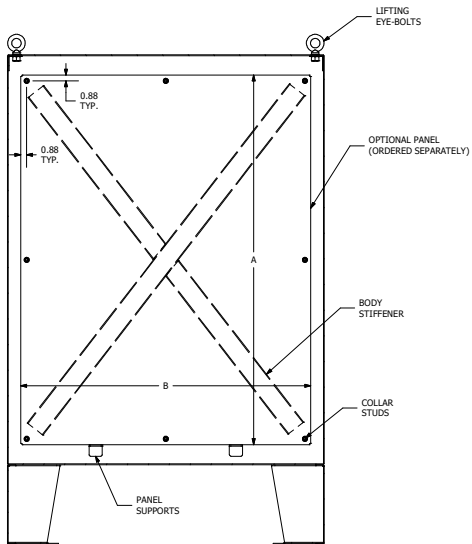
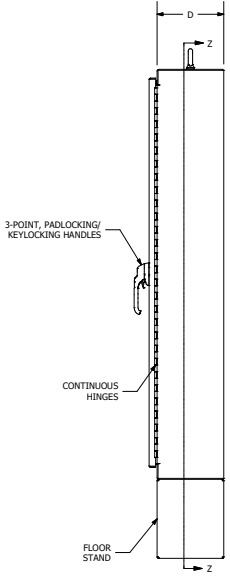
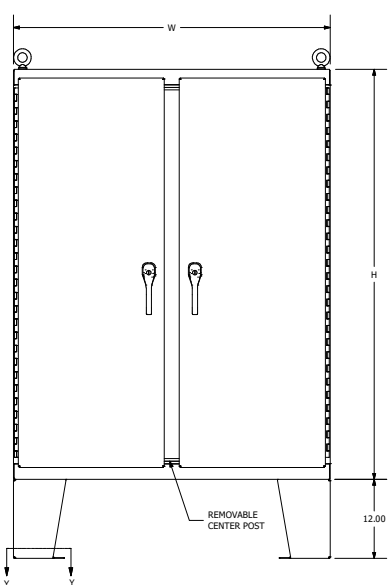
Accessories

- Back panels (reference table)
- See pages L1-L24

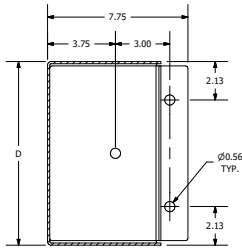
N4D-3PT SERIES FLOOR-MOUNT ENCLOSURES

Catalog Number	Enclosure Size HxWxD	Back Panel Catalog Number*		Back Panel Size A x B
		White	"G"	
N4D6248103PT	62.00x48.00x10.00 (1578x1222x257)	NPDD6048	NPDD6048G	56.00x44.00 (1422x1118)
N4D6260123PT	62.00x60.00x12.00 (1578x1527x308)	NPDD6060	NPDD6060G	56.00x56.00(1422x1422)
N4D7460123PT	74.00x60.00x12.00 (1883x1527x308)	NPDD7260	NPDD7260G	68.00x56.00 (1727x1422)
N4D7472123PT	74.00x72.00x12.00 (1883x1832x308)	NPDD7272	—	68.00x68.00 (1727x1727)
N4D7472243PT	74.00x72.00x24.00 (1883x1832x613)	NPDD7272	—	68.00x68.00 (1727x1727)

*Back panels must be ordered separately.



SECTION Z-Z




SECTION Y-Y

**WA - FSN43PT SERIES ENCLOSURES
NEMA 4 SINGLE DOOR FREESTANDING**



Industry Standards

UL 508A, Type 4 & 12
CSA Certified, Type 4 & 12
NEMA/EEMAC Type 4 & 12

 UL File E64791

 CSA File LL66078

FEATURES-SPECIFICATIONS

Applications

Designed to house electronic controls, terminals, and instruments in areas that are regularly hosed down or are otherwise very wet. Enclosures are also suitable for outdoor applications.

Construction

- Bodies and doors are fabricated from carbon steel
- Seams are continuously welded and ground smooth
- Mounting channels are welded horizontally to the interior body.
- **Optional** swing panels and rack

angles can be mounted anywhere along the mounting channels

- Rolled lip around three sides of the door and along the top of the enclosures opening excludes liquids and contaminants
- 3-point Keylocking/Padlocking combo handle
- Heavy gauge continuous hinge
- Doors are removable by pulling stainless steel continuous hinge pin
- Heavy-duty removable lifting eyes
- Doors are sealed with a poured in place gasket
- Grounding provisions are provided

Finish

- ANSI-61 gray polyester powder inside and out
- **Optional** back panels are painted with a white polyester powder
- **Optional** "G" panels are pre-galvanized steel

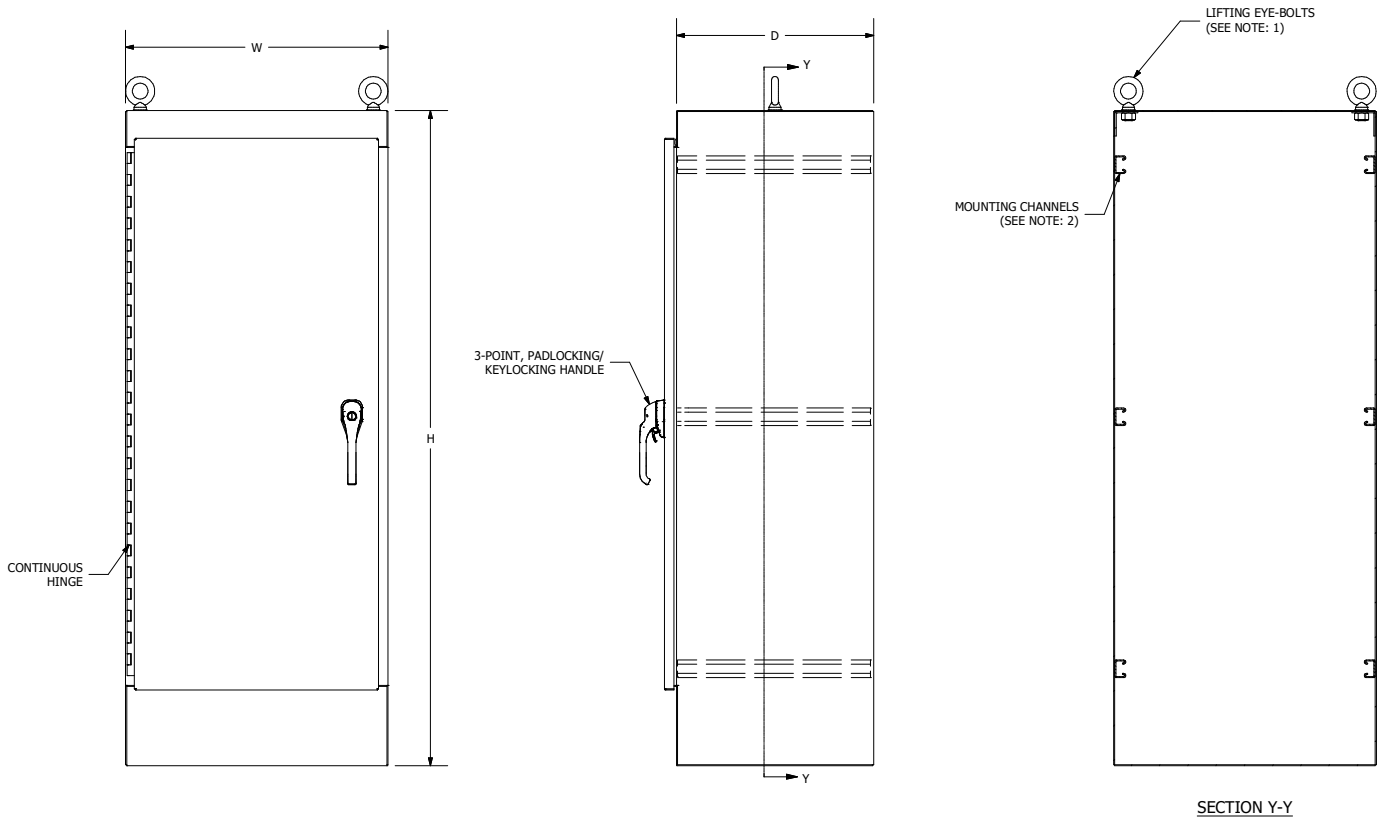
Accessories

- Back panels (reference table)
- See pages L1-L24

WA-FSN43PT SERIES ENCLOSURES NEMA 4 SINGLE DOOR FREESTANDING

Catalog Number	Enclosure Size HxWxD	Back Panel Catalog Number*		Back Panel Size
		White	"G"	
WA602418FSN43PT	60.00x24.00x18.00 (1578X711X457)	WA60P24F1	WA60P24F1G	48.00X20.00 (1219x508)
WA603624FSN43PT	60.00x36.00x24.00 (1578X914X610)	WA60P36F1	WA60P36F1G	48.00X32.00 (1219x813)
WA722418FSN43PT	72.00x24.00x18.00 (1829X610X457)	WA72P24F1	WA72P24F1G	60.00X20.00 (1524x508)
WA722424FSN43PT	72.00x24.00x24.00 (1829X610X610)	WA72P24F1	WA72P24F1G	60.00X20.00 (1524x508)
WA723018FSN43PT	72.00x30.00x18.00 (1829X762X457)	WA72P30F1	WA72P30F1G	60.00X26.00 (1524x660)
WA723024FSN43PT	72.00x30.00x24.00 (1829X762X610)	WA72P30F1	WA72P30F1G	60.00X26.00 (1524x660)
WA723618FSN43PT	72.00x36.00x18.00 (1829X914X457)	WA72P36F1	WA72P36F1G	60.00X32.00 (1524x813)
WA723624FSN43PT	72.00x36.00x24.00 (1829X914X610)	WA72P36F1	WA72P36F1G	60.00X32.00 (1524x813)
WA723630FSN43PT	72.00x36.00x30.00 (1829X914X762)	WA72P36F1	WA72P36F1G	60.00X32.00 (1524x813)
WA723636FSN43PT	72.00x36.00x36.00 (1829X914X914)	WA72P36F1	WA72P36F1G	60.00X32.00 (1524x813)
WA902420FSN43PT	90.00x24.00x20.00 (2286X610X508)	WA90P24F1	WA90P24F1G	78.00X20.00 (1981x508)
WA903620FSN43PT	90.00x36.00x20.00 (2286X914X508)	WA90P36F1	WA90P36F1G	78.00X32.00 (1981x813)
WA903624FSN43PT	90.00x36.00x24.00 (2286X914X610)	WA90P36F1	WA90P36F1G	78.00X32.00 (1981x813)
WA903636FSN43PT	90.00x36.00x36.00 (2286X914X914)	WA90P36F1	WA90P36F1G	78.00X32.00 (1981x813)

*Back panels must be ordered separately.



NOTES:

1. FOUR LIFTING EYE-BOLTS ARE SUPPLIED WHEN "D" IS 30.00" OR GREATER.
2. OPTIONAL PANEL(S) CAN BE MOUNTED ANYWHERE ALONG MOUNTING CHANNELS.

WRD-FS4 SINGLE DOOR FREESTANDING ENCLOSURES WITH HEAVY-DUTY REMOVABLE HINGE



Industry Standards

UL 508A Type 3R, 4 & 12
 NEMA Type 3R, 4 & 12
 IEC 60529 IP66

 UL File E64791, E470978

FEATURES-SPECIFICATIONS

Applications

Designed to protect electrical and electronic controls, components, and instruments in typical industrial environments. Enclosures protect equipment from dust, dirt and water. These enclosures are used in machine tool applications for housing motor starters, drives, contactors, PLC's, as well as a wide variety of other electrical and electronic equipment. The addition of 19 inch rack-mounted accessories make these enclosures ideal for providing rugged protection for sensitive rack-mounted components in harsh industrial environments.

Construction

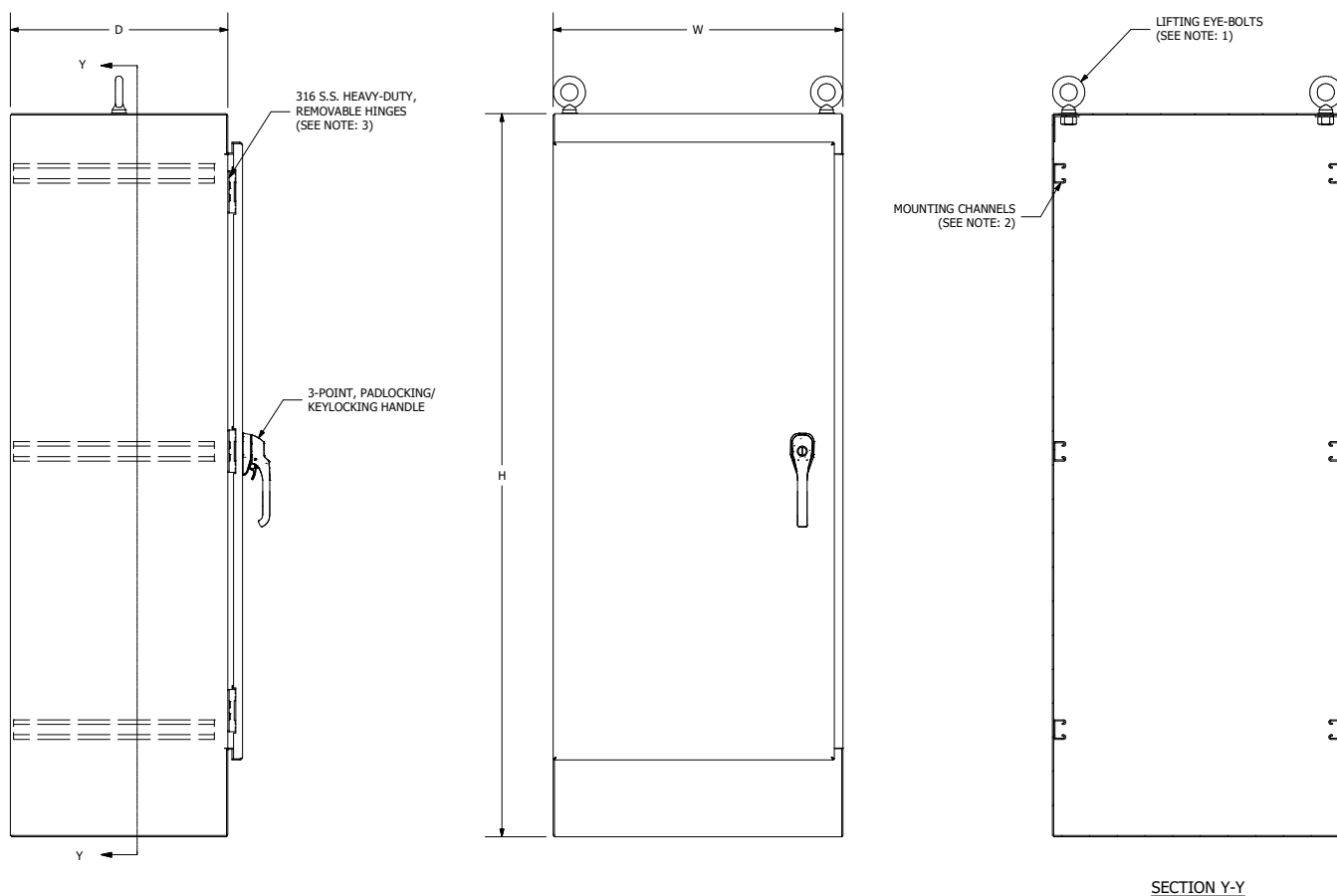
- Bodies and doors are fabricated from carbon steel
- ANSI 61 Gray Polyester Powder Coat
- Heavy-Duty 316 Stainless Steel Removable Hinge (patent pending)
- Seams are continuously welded and ground smooth
- Heavy-duty lifting eyes for easy handling
- 3-point Keylocking/Padlocking combo handle

- Doors are sealed with a poured in place gasket
- Grounding provisions are provided
- Door opens 170°
- Mounting channels are welded horizontally to the interior body to allow back panels to be positioned in the enclosure. **Optional** swing panels and rack angles can be mounted anywhere along the mounting channels

WRD-FS4 SINGLE DOOR, FREESTANDING, HEAVY-DUTY REMOVABLE HINGE ENCLOSURES

Catalog Number	Enclosure Size HxWxD	Back Panel Catalog Number*		Back Panel Size
		White	"G"	
WRD602418FS4	60.13 x 24.13 x 18.13 (1527x613x460)	WA60P24F1	WA60P24F1G	48.00X20.00 (1219x508)
WRD722418FS4	72.13 x 24.13 x 18.13 (1832x613x460)	WA60P36F1	WA60P36F1G	48.00X32.00 (1219x813)
WRD723018FS4	72.13 x 30.13 x 18.13 (1832x765x460)	WA72P24F1	WA72P24F1G	60.00X20.00 (1524x508)
WRD723618FS4	72.13 x 36.13 x 18.13 (1832x918x460)	WA72P24F1	WA72P24F1G	60.00X20.00 (1524x508)
WRD902420FS4	90.13 x 24.13 x 20.13 (2289x613x511)	WA72P30F1	WA72P30F1G	60.00X26.00 (1524x660)
WRD903620FS4	90.13 x 36.13 x 20.13 (2289x918x511)	WA72P30F1	WA72P30F1G	60.00X26.00 (1524x660)
WRD603624FS4	60.13 x 36.13 x 24.13 (1527x918x613)	WA72P36F1	WA72P36F1G	60.00X32.00 (1524x813)
WRD722424FS4	72.13 x 24.13 x 24.13 (1832x613x613)	WA72P36F1	WA72P36F1G	60.00X32.00 (1524x813)
WRD723024FS4	72.13 x 30.13 x 24.13 (1832x765x613)	WA72P36F1	WA72P36F1G	60.00X32.00 (1524x813)
WRD723624FS4	72.13 x 36.13 x 24.13 (1832x918x613)	WA72P36F1	WA72P36F1G	60.00X32.00 (1524x813)
WRD903624FS4	90.13 x 36.13 x 24.13 (2289x918x613)	WA90P24F1	WA90P24F1G	78.00X20.00 (1981x508)
WRD723630FS4	72.13 x 36.13 x 30.13 (1832x918x765)	WA90P36F1	WA90P36F1G	78.00X32.00 (1981x813)
WRD723636FS4	72.13 x 36.13 x 36.13 (1832x918x918)	WA90P36F1	WA90P36F1G	78.00X32.00 (1981x813)
WRD903636FS4	90.13 x 36.13 x 36.13 (2289x918x918)	WA90P36F1	WA90P36F1G	78.00X32.00 (1981x813)

*Back panels must be ordered separately.



NOTES:

1. FOUR LIFTING EYE-BOLTS ARE SUPPLIED WHEN "D" IS 30" OR GREATER.
2. OPTIONAL PANEL(S) CAN BE MOUNTED ANYWHERE ALONG MOUNTING CHANNELS.
3. THREE HINGES ARE PROVIDED WHEN "H" = 60"
FOUR HINGES ARE PROVIDED WHEN "H" = 72"
FIVE HINGES ARE PROVIDED WHEN "H" = 90"

WRD-FSD4 DOUBLE DOOR FREESTANDING ENCLOSURES WITH HEAVY-DUTY REMOVABLE HINGE



Industry Standards

UL 508A Type 3R, 4 & 12

NEMA Type 3R, 4 & 12

UL Classified IEC 60529 IP66

 UL File E64791, E470978

FEATURES-SPECIFICATIONS

Applications

Designed to protect electrical and electronic controls, components, and instruments in typical industrial environments. Enclosures protect equipment from dust, dirt and water. These enclosures are used in machine tool applications for housing motor starters, drives, contactors, PLC's, as well as a wide variety of other electrical and electronic equipment. The addition of 19 inch rack-mounted accessories make these enclosures ideal for providing rugged protection for sensitive rack-mounted components in harsh industrial environments.

Construction

- Bodies and doors are fabricated from carbon steel
- ANSI 61 Gray Polyester Powder Coat
- Heavy-Duty 316 Stainless Steel Removable Hinge (patent pending)
- Seams are continuously welded and ground smooth
- Heavy-duty lifting eyes for easy handling
- 3-point Keylocking/Padlocking combo handle

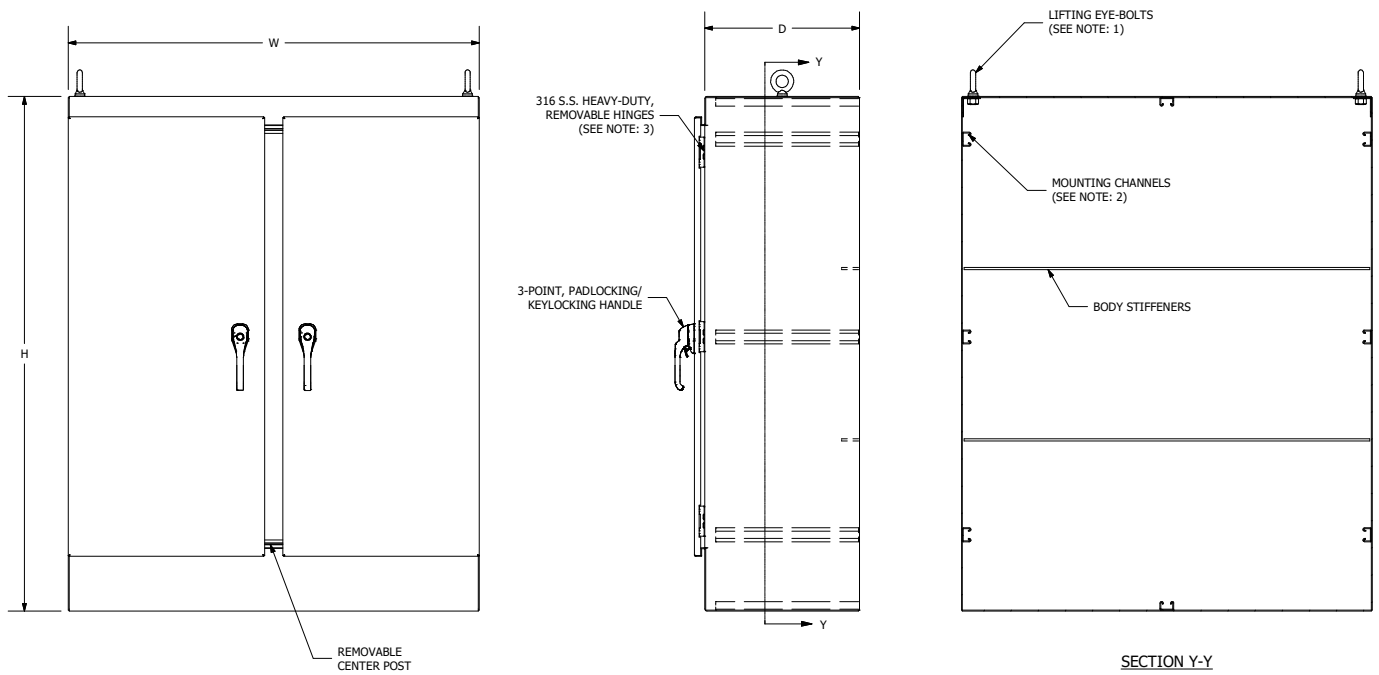
- Doors are sealed with a poured in place gasket
 - Grounding provisions provided
 - Door opens 170°
 - Mounting channels are welded horizontally to the interior body to allow back panels to be positioned in the enclosure.
- Optional** swing panels and rack angles can be mounted anywhere along the mounting channels

WRD-FSD4 DOUBLE DOOR, FREESTANDING, HEAVY-DUTY REMOVABLE HINGE ENCLOSURES

Catalog Number	Enclosure Size HxWxD	Back Panel Catalog Number*		Back Panel Size
		White	"G"	
WRD604818FSD4	60.13 x 48.13 x 18.13 (1527x1222x460)	WA60P24F1	WA60P24F1G	48.00X20.00 (1219x508)
WRD724818FSD4	72.13 x 48.13 x 18.13 (1832x1222x460)	WA60P36F1	WA60P36F1G	48.00X32.00 (1219x813)
WRD726018FSD4	72.13 x 60.13 x 18.13 (1832x1527x460)	WA72P24F1	WA72P24F1G	60.00X20.00 (1524x508)
WRD727218FSD4	72.13 x 72.13 x 18.13 (1832x1832x460)	WA72P24F1	WA72P24F1G	60.00X20.00 (1524x508)
WRD904820FSD4	90.13 x 48.13 x 20.13 (2289x1222x511)	WA72P30F1	WA72P30F1G	60.00X26.00 (1524x660)
WRD907220FSD4	90.13 x 72.13 x 20.13 (2289x1832x511)	WA72P30F1	WA72P30F1G	60.00X26.00 (1524x660)
WRD724824FSD4	72.13 x 48.13 x 24.13 (1832x1222x613)	WA72P36F1	WA72P36F1G	60.00X32.00 (1524x813)
WRD726024FSD4	72.13 x 60.13 x 24.13 (1832x1527x613)	WA72P36F1	WA72P36F1G	60.00X32.00 (1524x813)
WRD727224FSD4	72.13 x 72.13 x 24.13 (1832x1832x613)	WA72P36F1	WA72P36F1G	60.00X32.00 (1524x813)
WRD907224FSD4	90.13 x 72.13 x 24.13 (2289x1832x613)	WA72P36F1	WA72P36F1G	60.00X32.00 (1524x813)
WRD726036FSD4	72.13 x 36.13 x 36.13 (1832x1527x918)	WA90P24F1	WA90P24F1G	78.00X20.00 (1981x508)
WRD907236FSD4	90.13 x 36.13 x 36.13 (2289x1832x918)	WA90P36F1	WA90P36F1G	78.00X32.00 (1981x813)

**WRD-FSD4 DOUBLE DOOR FREESTANDING ENCLOSURES
WITH HEAVY-DUTY REMOVABLE HINGE**

D33



NOTES:

1. FOUR LIFTING EYE-BOLTS ARE SUPPLIED WHEN "D" IS 30" OR GREATER.
2. OPTIONAL PANEL(S) CAN BE MOUNTED ANYWHERE ALONG MOUNTING CHANNELS.
3. THREE HINGES PER DOOR ARE PROVIDED WHEN "H" = 60"
FOUR HINGES PER DOOR ARE PROVIDED WHEN "H" = 72"
FIVE HINGES PER DOOR ARE PROVIDED WHEN "H" = 90"

Section E Index

RSC-NKSS Series NEMA 3RX Screw CoverE2	WA-GSCSS Series NEMA 4X Lift-Off Cover Wall-MountE18	SSN4-3PTW Series NEMA 4X Painted White Single Door Wall-MountE40
PBSS Series NEMA 4X, 12 & 13 (30.5mm) Pushbutton Wall-MountE4	WC-CSS Series NEMA 12 Consolet Single DoorE20	SSN4D Series NEMA 4X Two Door Floor-MountE42
PBXD-SS Series NEMA 4X, 12 & 13 (30.5mm) Pushbutton Wall-MountE6	N412-SSC ULTIMATE Series NEMA 4X Single Door Wall-MountE22	N4S-FSSS/FSSSA/FSDSS Series NEMA 4X Single Door FreestandingE44
BN4-SS Series NEMA 4X JIC Clamp-Cover Wall-Mount ..E8	N412-WSSC ULTIMATE Series NEMA 4X Single Door With Window Wall-MountE25	SSN4D-3PT Series NEMA 4X Two Door Floor-MountE46
BN4-CHSS Series NEMA 4X JIC Continuous Hinge Wall-MountE10	N412-SS3PTC ULTIMATE Series NEMA 4X Single Door Wall-MountE27	WA-SSFSN43PT Series NEMA 4X Single Door FreestandingE48
BN4-CHTQSS/SSA Series NEMA 4X Continuous Hinge Quarter-Turn Wall-MountE12	N412-CSSST ULTIMATE Series NEMA 4X Slope-Top Single DoorE30	WA-SSFSDN43PT Series NEMA 4X Two Door FreestandingE50
BN4-AL Series NEMA 4X Lift-Off Cover Wall-MountE14	SSN4-WF3PT Series NEMA 4X Two Door Wall-MountE32	WA-FSSS/FSDSS Series NEMA 12 Single and Two Door FreestandingE52
BN4-CHAL Series NEMA 4X JIC Continuous Hinge Wall-MountE16	SSN4 Series NEMA 4X Single Door Wall-MountE34	
	ALN4 Series NEMA 4X Single Door Wall-MountE36	
	SSN4-3PT Series NEMA 4X Single Door Wall-MountE38	

STAINLESS STEEL



RSC-NKSS SERIES ENCLOSURES NEMA 3RX STAINLESS STEEL SCREW-COVER



RSC081206NKSS



Industry Standards

UL 50, Types 3RX, 3R,& 1
CSA Certified, Types 3RX, 3R,& 1
NEMA/EEMAC Types 3RX, 3R,& 1

FEATURES-SPECIFICATIONS

Applications

The Stainless Steel RSC Series enclosure is designed for use as a wiring or junction box. This enclosure can be used indoors or outdoors and provides protection from rain, sleet, snow, or dripping water. Can also be used in corrosive environments.

Construction

- Body and cover are fabricated from 304 stainless steel
- A slip-on reversible cover is securely fastened with screws located along the bottom edge
- Mounting holes are located on the back of the enclosure

- No gasketing is required
- Hasp for padlocking or meter seal is provided

Finish

- Exterior surfaces of the enclosure have a smooth grained finish

Accessories

- See pages L1-L24

RSC-NKSS SERIES SCREW-COVER STAINLESS STEEL ENCLOSURES

Catalog Number	Enclosure Size HxWxD	Mounting A x B
RSC040404NKSS*Δ	4.06 x 4.12 x 4.06 (103 x 105 x 103)	—
RSC040604NKSS*Δ	6.06 x 4.12 x 4.06 (154 x 105 x 103)	—
RSC060604NKSS	6.06 x 6.12 x 4.06 (154 x 155 x 103)	3.00 x 3.00 (76 x 76)
RSC060804NKSS	8.06 x 6.12 x 4.06 (205 x 155 x 103)	5.00 x 3.00 (127 x 76)
RSC080804NKSS	8.06 x 8.12 x 4.06 (205 x 206 x 103)	5.00 x 5.00 (127 x 127)
RSC081004NKSS	10.06 x 8.12 x 4.06 (256 x 206 x 103)	7.00 x 5.00 (178 x 127)
RSC101004NKSS	10.06 x 10.12 x 4.06 (256 x 257 x 103)	7.00 x 7.00 (178 x 178)
RSC101204NKSS	12.06 x 10.12 x 4.06 (306 x 257 x 103)	9.00 x 7.00 (229 x 178)
RSC121204NKSS	12.06 x 12.12 x 4.06 (306 x 308 x 103)	9.00 x 9.00 (229 x 229)
RSC121504NKSS	15.06 x 12.12 x 4.06 (383 x 308 x 103)	12.00 x 9.00 (305 x 229)
RSC181804NKSS	18.06 x 18.12 x 4.06 (459 x 460 x 103)	15.00 x 15.00 (381 x 381)
RSC060606NKSS	6.06 x 6.12 x 6.06 (154 x 155 x 154)	3.00 x 3.00 (76 x 76)
RSC060806NKSS	8.06 x 6.12 x 6.06 (205 x 155 x 154)	5.00 x 3.00 (127 x 76)
RSC080806NKSS	8.06 x 8.12 x 6.06 (205 x 206 x 154)	5.00 x 5.00 (127 x 127)
RSC081006NKSS	10.06 x 8.12 x 6.06 (256 x 206 x 154)	7.00 x 5.00 (178 x 127)
RSC081206NKSS	12.06 x 8.12 x 6.06 (306 x 206 x 154)	9.00 x 5.00 (229 x 127)
RSC101006NKSS	10.06 x 10.12 x 6.06 (256 x 257 x 154)	7.00 x 7.00 (178 x 178)
RSC101206NKSS	12.06 x 10.12 x 6.06 (306 x 257 x 154)	9.00 x 7.00 (229 x 178)
RSC121206NKSS	12.06 x 12.12 x 6.06 (306 x 308 x 154)	9.00 x 9.00 (229 x 229)
RSC121506NKSS	15.06 x 12.12 x 6.06 (383 x 308 x 154)	12.00 x 9.00 (305 x 229)
RSC121806NKSS	18.06 x 12.12 x 6.06 (459 x 308 x 154)	15.00 x 9.00 (381 x 229)
RSC151806NKSS	18.06 x 15.12 x 6.06 (459 x 384 x 154)	15.00 x 12.00 (381 x 305)
RSC181806NKSS	18.06 x 18.12 x 6.06 (459 x 460 x 154)	15.00 x 15.00 (381 x 381)

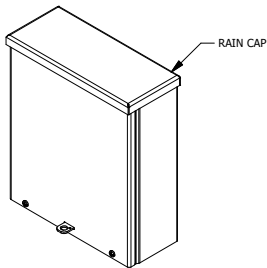
*Two mounting holes centered vertically Δ No hasp or meter seal provided

continued on page E3

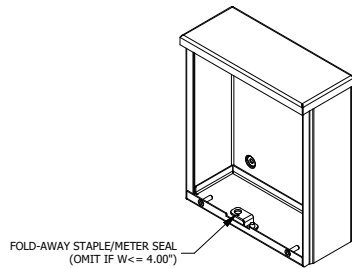
**RSC-NKSS SERIES ENCLOSURES
NEMA 3RX STAINLESS STEEL SCREW-COVER**

RSC-NKSS SERIES SCREW-COVER STAINLESS STEEL ENCLOSURES (CONT.)

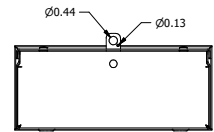
Catalog Number	Enclosure Size HxWxD	Mounting A x B
RSC182406NKSS	24.06 x 18.12 x 6.06 (611 x 460 x 154)	21.00 x 15.00 (533 x 381)
RSC242406NKSS	24.07 x 24.15 x 6.07 (611 x 613 x 154)	21.00 x 21.00 (533 x 533)
RSC121208NKSS	12.06 x 12.12 x 8.06 (306 x 308 x 205)	9.00 x 9.00 (229 x 229)
RSC121808NKSS	18.06 x 12.12 x 8.06 (459 x 308 x 205)	15.00 x 9.00 (381 x 229)
RSC151808NKSS	18.06 x 15.12 x 8.06 (459 x 384 x 205)	15.00 x 12.00 (381 x 305)
RSC181808NKSS	18.06 x 18.12 x 8.06 (459 x 460 x 205)	15.00 x 15.00 (381 x 381)
RSC182408NKSS	24.06 x 18.12 x 8.06 (611 x 460 x 205)	21.00 x 15.00 (533 x 381)
RSC202408NKSS	24.06 x 20.12 x 8.06 (611 x 511 x 205)	21.00 x 17.00 (533 x 432)
RSC242408NKSS	24.07 x 24.15 x 8.07 (611 x 613 x 205)	21.00 x 21.00 (533 x 533)
RSC243008NKSS	30.07 x 24.15 x 8.07 (764 x 613 x 205)	27.00 x 21.00 (686 x 533)
RSC121210NKSS	12.06 x 12.12 x 10.06 (306 x 308 x 256)	9.00 x 9.00 (229 x 229)
RSC161610NKSS	16.06 x 16.12 x 10.06 (408 x 409 x 256)	13.00 x 13.00 (330 x 330)
RSC242412NKSS	24.07 x 24.15 x 12.07 (611 x 613 x 307)	21.00 x 21.00 (533 x 533)
RSC243612NKSS	36.07 x 24.15 x 12.07 (916 x 613 x 307)	33.00 x 21.00 (838 x 533)
RSC303012NKSS	30.10 x 30.21 x 12.10 (765 x 767 x 307)	27.00 x 27.00 (686 x 686)
RSC303612NKSS	36.10 x 30.21 x 12.10 (917 x 767 x 307)	33.00 x 27.00 (838 x 686)
RSC363612NKSS	36.10 x 36.21 x 12.10 (917 x 920 x 307)	33.00 x 33.00 (838 x 838)
RSC242416NKSS	24.07 x 24.15 x 16.07 (611 x 613 x 408)	21.00 x 21.00 (533 x 533)
RSC303016NKSS	30.10 x 30.21 x 16.10 (765 x 767 x 409)	27.00 x 27.00 (686 x 686)
RSC363616NKSS	36.10 x 36.21 x 16.10 (917 x 920 x 409)	33.00 x 33.00 (838 x 838)
RSC364816NKSS	48.10 x 36.21 x 16.10 (1222 x 920 x 409)	45.00 x 33.00 (1143 x 838)



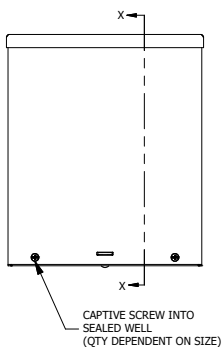
ISO VIEW



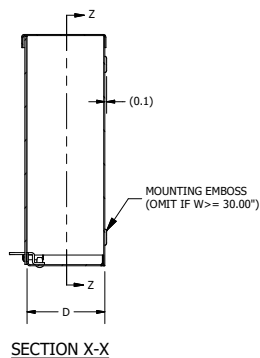
ISO VIEW, LID REMOVED



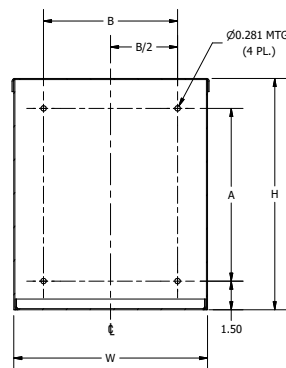
BOTTOM VIEW



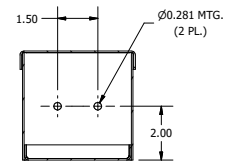
FRONT VIEW



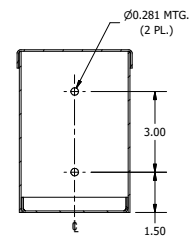
SECTION X-X



SECTION Z-Z



4 X 4 MOUNTING



6 X 4 MOUNTING

PBSS SERIES ENCLOSURES
NEMA 4, 4X & 12 (30.5MM) PUSHBUTTON WALL-MOUNT



PBSS3

Industry Standards

UL 508A, Type 4, 4X, 12 & 13
 CSA Certified, Type 4, 4X & 12
 NEMA/EEMAC Type 4, 4X, 12 & 13

 UL File E64791

 CSA File LL66078

FEATURES-SPECIFICATIONS

Applications

Designed to hold all standard brands of pushbuttons, switches and pilot lights. Provides protection from dust, dirt, oil and water. PBSS Series is designed for areas where serious corrosion problems exist.

Construction

- Bodies and doors are fabricated from 304 or 316L stainless steel
- Seams are continuously welded and ground smooth
- Closed cell oil resistant neoprene gasket

- External mounting plates on the top and bottom of the enclosure
- Captivated cover screws thread into sealed wells
- Standard "4-way" pushbutton holes accept all brands of oil-tight push buttons, switches and pilot lights
- Enclosures 9.50" x 6.25" x 3.00" and larger have internal detachable hinges to hold cover open during wiring, yet permit quick removal
- Grounding provisions are provided

Finish

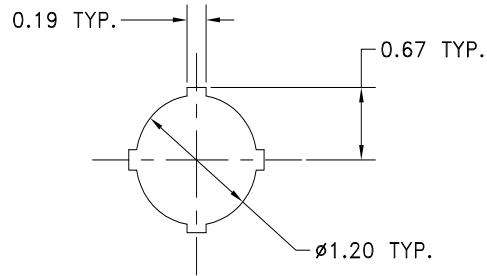
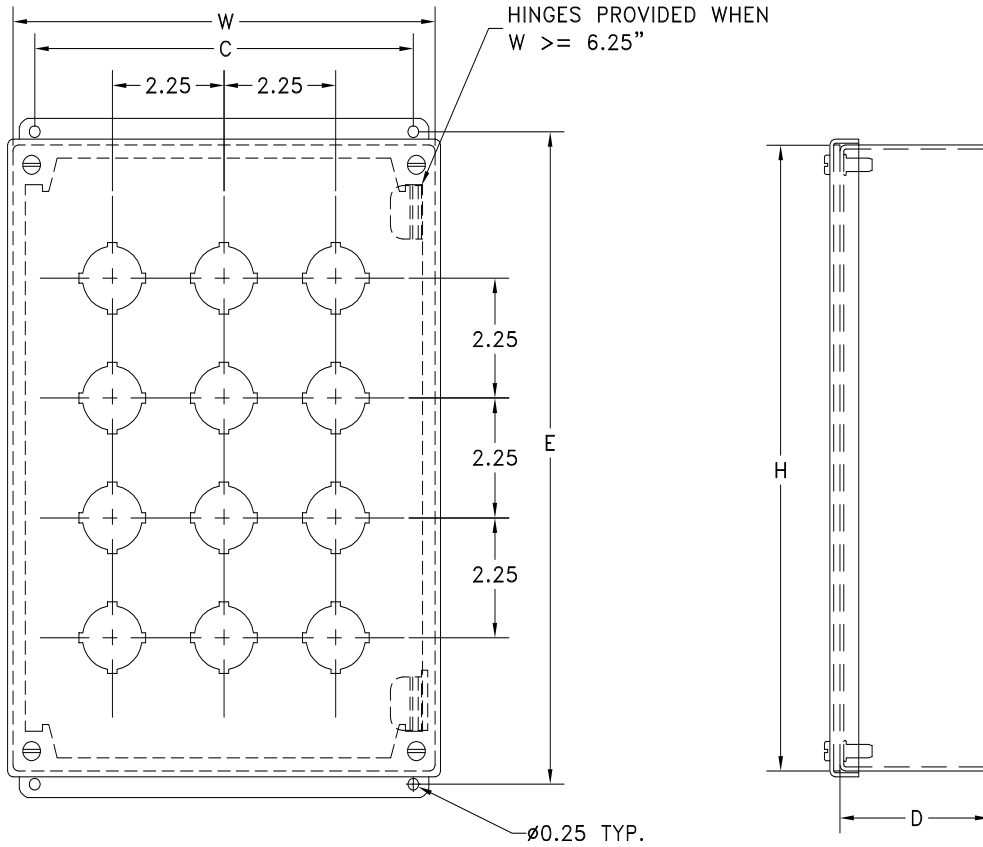
- Exterior surfaces of the enclosure have a smooth grained finish

Accessories

- See pages I16-I27 for carbon steel pushbutton enclosures
- See page L4 for hole seals

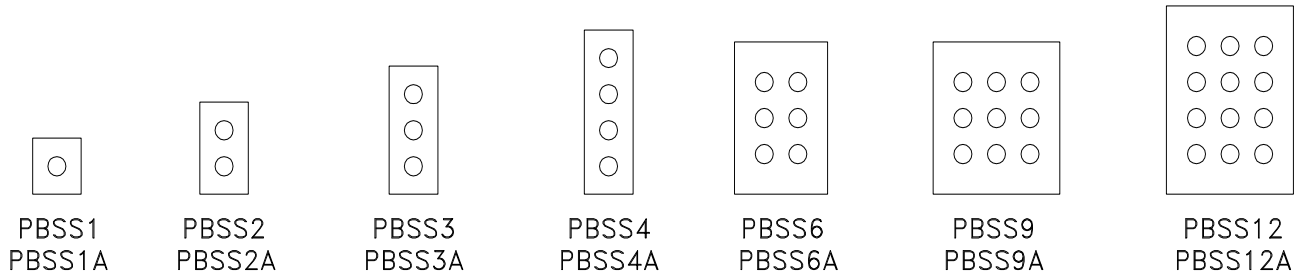
PBSS SERIES (30.5MM) STAINLESS STEEL PUSHBUTTON ENCLOSURES

Catalog Number		Enclosure Size HxWxD	Mounting CxE
304 SS	316L SS		
PBSS1	PBSS1A	3.50x3.25x2.81 (89x83x71)	2.38x4.00 (60x102)
PBSS2	PBSS2A	5.75x3.25x2.81 (146x83x71)	2.38x6.25 (60x159)
PBSS3	PBSS3A	8.00x3.25x2.81 (203x83x71)	2.38x8.50 (60x216)
PBSS4	PBSS4A	10.25x3.25x2.81 (260x83x71)	2.38x10.75 (60x273)
PBSS6	PBSS6A	9.50x6.25x3.09 (241x159x79)	5.38x10.00 (137x254)
PBSS9	PBSS9A	9.50x8.50x3.09 (241x216x79)	7.63x10.00 (194x254)
PBSS12	PBSS12A	11.75x8.50x3.09 (298x216x79)	7.63x12.25 (194x311)



Standard 4-Way Pushbutton

Hole Arrangements



PBXD - SS SERIES ENCLOSURES
NEMA 4, 4X, 12 & 13 (30.5MM) PUSHBUTTON WALL-MOUNT



PBXD3SS

Industry Standards

UL 508A, Type 4, 4X, 12 & 13
 CSA Certified, Type 4, 4X & 12
 NEMA/EEMAC Type 4, 4X, 12 & 13
 JIC EL-1-71



FEATURES-SPECIFICATIONS

Applications

Designed to hold 30.5mm oil-tight pushbuttons, switches, and pilot lights. Provides protection against dirt, dust, oil, and water. Extra deep design accommodates additional contact blocks for pushbuttons.

Construction

- Bodies and doors are fabricated from 304 stainless steel
- Seams are continuously welded and ground smooth
- Closed cell oil resistant neoprene gasket

- External mounting plates on the top and bottom of the enclosure
- Captivated cover screws thread into sealed wells
- Standard "4-way" pushbutton holes accept all brands of oil-tight push buttons, switches and pilot lights
- 6.00" x 4.00" x 4.75" and larger have internal detachable hinges to hold cover open during wiring, yet permit quick removal
- Grounding provisions are provided

Finish

- Exterior surfaces of the enclosure have a smooth grained finish

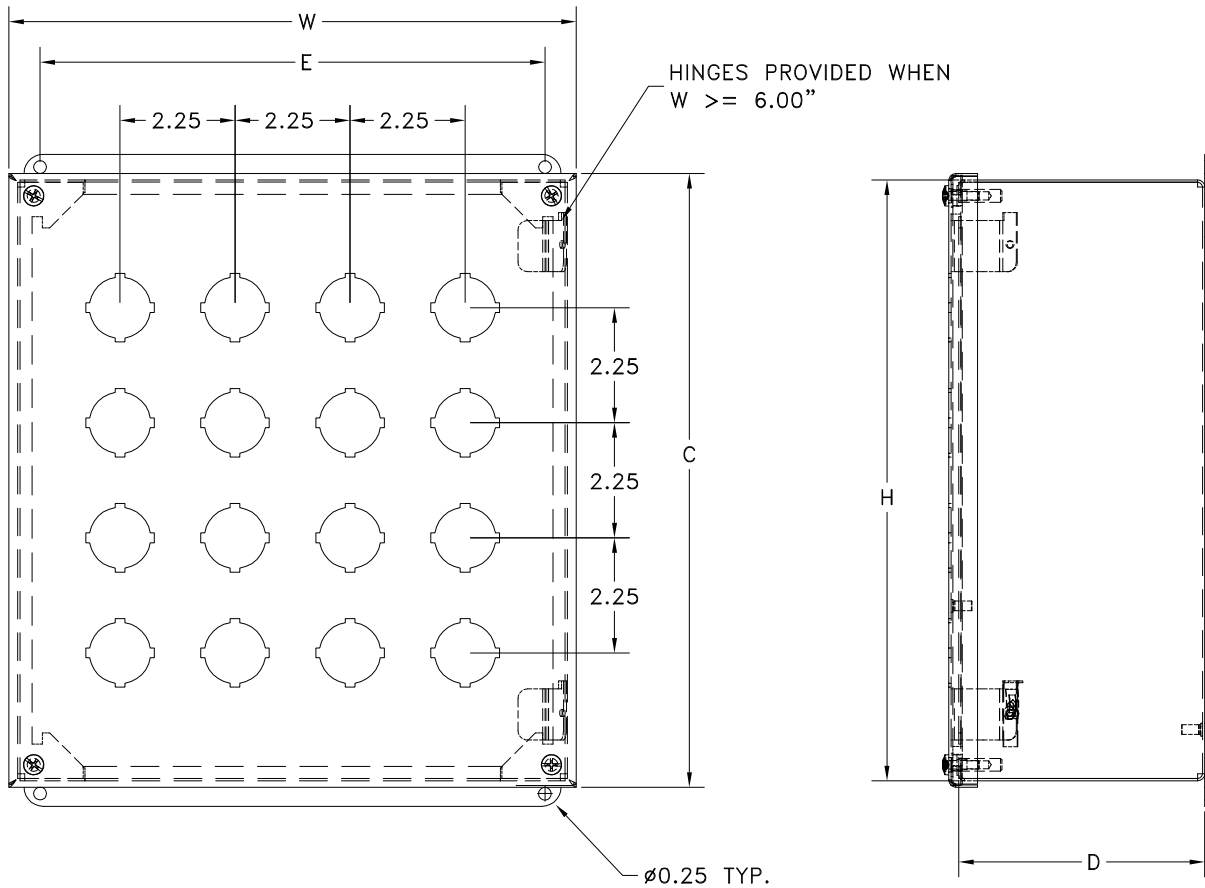
Accessories

- See pages I16-I27 for carbon steel pushbutton enclosures
- See page L4 for hole seals

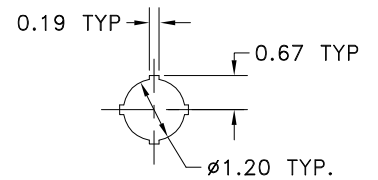
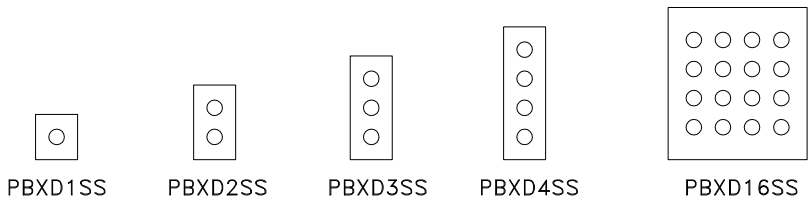
PBXD-SS SERIES STAINLESS STEEL PUSHBUTTON ENCLOSURES

Catalog Number	Enclosure Size HxWxD	Mounting CxE
PBXD1SS	4.00x4.00x4.81 (102x102x122)	3.13x4.50 (79x114)
PBXD2SS	6.00x4.00x4.81 (152x102x122)	3.13x6.50 (79x165)
PBXD3SS	8.00x4.00x4.81 (203x102x122)	3.13x8.50 (79x216)
PBXD4SS	10.00x4.00x4.81 (254x102x122)	3.13x10.50 (79x267)
PBXD16SS	11.75x10.75x4.81 (298x273x122)	9.88x12.25 (251x311)

**PBXD - SS SERIES ENCLOSURES
NEMA 4, 4X, 12 & 13 (30.5MM) PUSHBUTTON WALL-MOUNT**



PBXD Hole Arrangements



Standard 4-Way Pushbutton

BN4 - SS SERIES ENCLOSURES NEMA 4X JIC CLAMP-COVER WALL-MOUNT



BN4060604SS

Industry Standards


UL 50, Type 4, 4X, 12 & 13
(6 X 6 X 4 & above)

UL 508A, Type 4, 4X, 12 & 13 (6 X 4
X 3 & smaller)

CSA Certified, Type 4 & 12

NEMA/EEMAC Type 4, 4X, 12 & 13

IEC 60529, IP66

 UL Files E23553, E64791, E470978

 CSA File LL66078

FEATURES-SPECIFICATIONS

Applications

Provides unmatched protection for housing electrical components in highly corrosive environments. This enclosure is used in indoor and outdoor settings that are frequently wet or have constant exposure to water, contaminants, or other liquids.

Construction

- Bodies and doors are fabricated from 304 or 316L stainless steel
- Seams are continuously welded and ground smooth

- Doors are sealed with a poured in place gasket
- External mounting plates on the top and bottom of the enclosure
- Weldnuts are provided on models 6.00" x 4.00" and larger to secure **optional** back panels
- Stainless steel screws and clamps on four sides of the cover to assure a water-tight seal
- Grounding provisions are provided

Finish

- Exterior surfaces of the enclosure have a smooth grained finish
- **Optional** back panels are painted with a white polyester powder
- **Optional** "G" panels are pre-galvanized steel
- **Optional** 304SS back panels are made of 304 stainless steel

Accessories

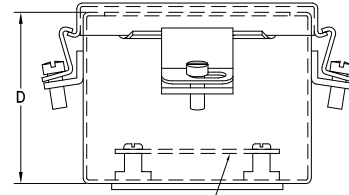
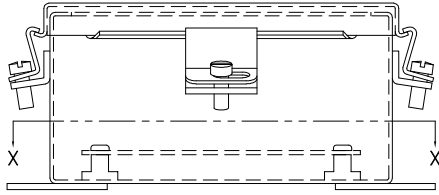
- Back panels (reference table)
- See pages L1-L24

BN4-SS SERIES JIC CLAMP COVER STAINLESS STEEL ENCLOSURES

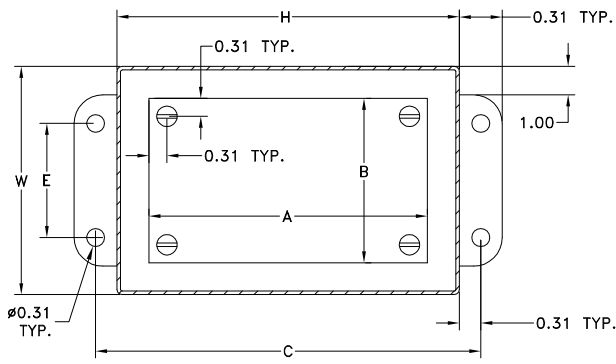
Catalog Number		Enclosure Size HxWxD	Back Panel Catalog Number*			Back Panel AxB	Mounting CxE
304 SS	316L SS		White	304 SS	"G"		
BN4040403SS	BN4040403SSA	4.00x4.00x3.00 (102x102x76)	—	—	—	—	4.75x2.00 (121x51)
BN4060403SS	BN4060403SSA	6.00x4.00x3.00 (152x102x76)	P0604	P0604SS	P0604G	4.88x2.88 (124x73)	6.75x2.00 (171x51)
BN4060604SS	BN4060604SSA	6.00x6.00x4.00 (152x152x102)	P0606	P0606SS	P0606G	4.88x4.88 (124x124)	6.75x4.00 (171x102)
BN4080604SS	BN4080604SSA	8.00x6.00x4.00 (203x152x102)	P0806	P0806SS	P0806G	6.88x4.88 (175x124)	8.75x4.00 (222x102)
BN4100804SS	BN4100804SSA	10.00x8.00x4.00 (254x203x102)	P1008	P1008SS	P1008G	8.88x6.88 (226x175)	10.75x6.00 (273x152)
BN4121005SS	BN4121005SSA	12.00x10.00x5.00 (305x254x127)	P1210	P1210SS	P1210G	10.88x8.88 (276x226)	12.75x8.00 (324x203)
BN4141206SS	BN4141206SSA	14.00x12.00x6.00 (356x305x152)	P1412	P1412SS	P1412G	12.88x10.88 (327x276)	14.75x10.00 (375x254)
BN4161406SS	BN4161406SSA	16.00x14.00x6.00 (406x356x152)	P1614	P1614SS	P1614G	14.88x12.88 (378x327)	16.75x12.00 (425x305)

*Back panels must be ordered separately.

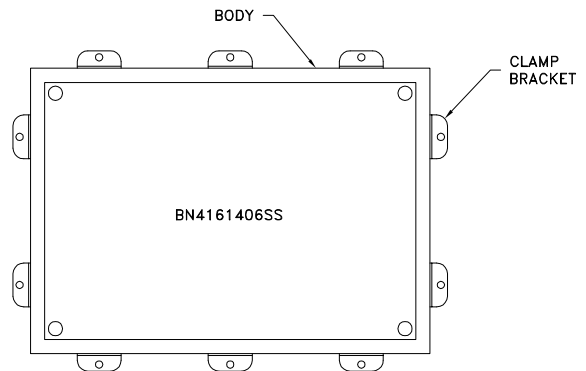
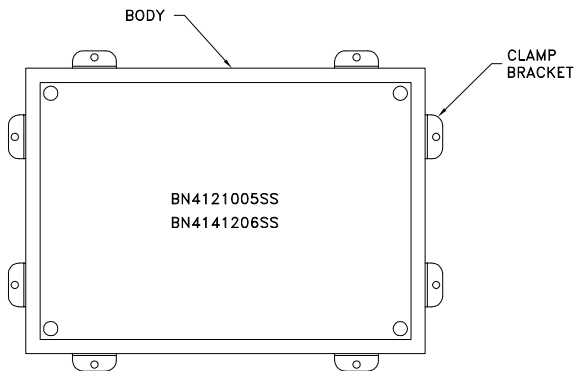
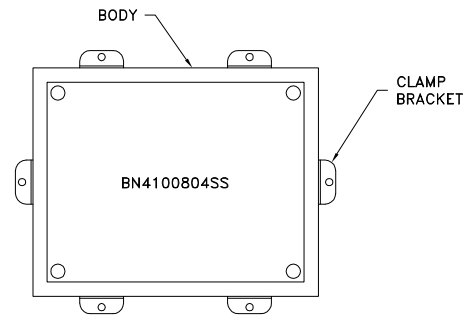
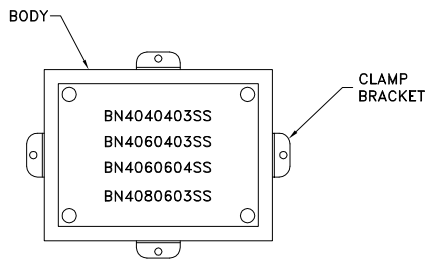
**BN4 - SS SERIES ENCLOSURES
NEMA 4X JIC CLAMP-COVER WALL-MOUNT**



Panel (Order Separately)



SECTION X-X




BN4 - CHSS SERIES ENCLOSURES NEMA 4X JIC CONTINUOUS HINGE WALL-MOUNT



BN4141206CHSS

Industry Standards

UL 50, Type 4, 4X, 12 & 13
CSA Certified, Type 4 & 12
NEMA/EEMAC Type 4, 4X, 12 & 13
IEC 60529, IP66

 UL File E6924, E64791, E470978

 CSA File LL66078

FEATURES-SPECIFICATIONS

Applications

Provides unmatched protection for housing electrical components in highly corrosive environments. This enclosure is used in indoor and outdoor settings that are frequently wet or have constant exposure to water, contaminants, or other liquids.

Construction

- Bodies and doors are fabricated from 304 or 316L stainless steel
- Seams are continuously welded and ground smooth

- Doors are sealed with a poured in place gasket
- External mounting feet are provided
- Weldnuts are provided on models 6.00" x 4.00" and larger to secure **optional** back panels
- Stainless steel screws and clamps are included to assure a water-tight seal
- Door is removed by pulling the stainless steel continuous hinge pin
- Grounding provisions are provided

Finish

- Exterior surfaces of the enclosure have a smooth grained finish
- **Optional** back panels are painted with a white polyester powder
- **Optional** "G" panels are pre-galvanized steel
- **Optional** 304SS back panels are made of 304 stainless steel

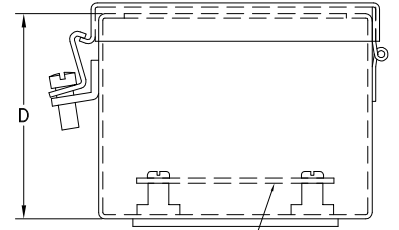
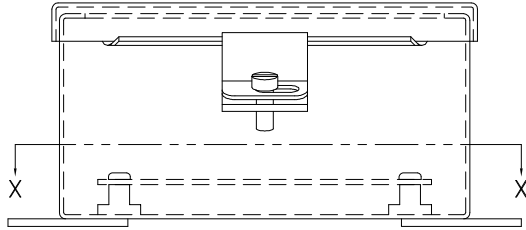
Accessories

- Back panels (reference table)
- See pages L1-L24

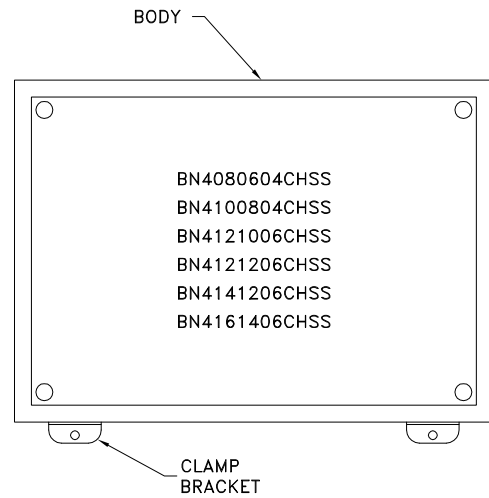
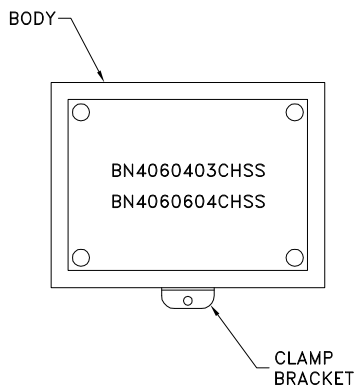
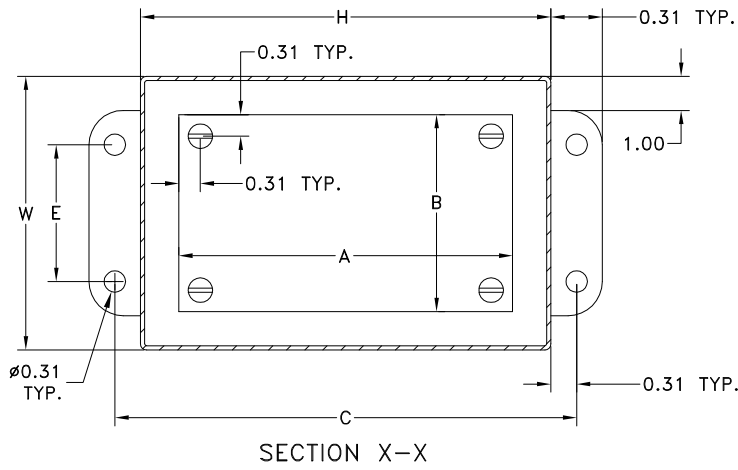
BN4-CHSS SERIES JIC CONTINUOUS HINGE STAINLESS STEEL ENCLOSURES

Catalog Number		Enclosure Size HxWxD	Back Panel Catalog Number*			Back Panel AxB	Mounting CxE
304 SS	316L SS		White	304 SS	"G"		
BN4060404CHSS	BN4060404CHSSA	6.00x4.00x4.00 (152x102x102)	P0604	P0604SS	P0604G	4.88x2.88 (124x73)	6.75x2.00 (171x51)
BN4060604CHSS	BN4060604CHSSA	6.00x6.00x4.00 (152x152x102)	P0606	P0606SS	P0606G	4.88x4.88 (124x124)	6.75x4.00 (171x102)
BN4080604CHSS	BN4080604CHSSA	8.00x6.00x4.00 (203x152x102)	P0806	P0806SS	P0806G	6.88x4.88 (175x124)	8.75x4.00 (222x102)
BN4100804CHSS	BN4100804CHSSA	10.00x8.00x4.00 (254x203x102)	P1008	P1008SS	P1008G	8.88x6.88 (226x175)	10.75x6.00 (273x152)
BN4121006CHSS	BN4121006CHSSA	12.00x10.00x6.00 (305x254x152)	P1210	P1210SS	P1210G	10.88x8.88 (276x226)	12.75x8.00 (324x203)
BN4121206CHSS	BN4121206CHSSA	12.00x12.00x6.00 (305x305x152)	P1212	P1212SS	P1212G	10.88x10.88 (276x276)	12.75x10.00 (324x254)
BN4141206CHSS	BN4141206CHSSA	14.00x12.00x6.00 (356x305x152)	P1412	P1412SS	P1412G	12.88x10.88 (327x276)	14.75x10.00 (375x254)
BN4161406CHSS	BN4161406CHSSA	16.00x14.00x6.00 (406x356x152)	P1614	P1614SS	P1614G	14.88x12.88 (378x327)	16.75x12.00 (425x305)

*Back panels must be ordered separately.



Panel (Order Separately)




ULTIMATE MINI-MAX™ NEMA 4X JIC CONTINUOUS HINGE QUARTER-TURN



BN4080604CHQTSS

Industry Standards

UL 508A, Type 4, 4X, & 12
CSA Certified Type 4, 4X & 12
NEMA/EEMAC Type 4, 4X, & 12
IEC 60529, IP66

 UL Files E64791, E470978

 CSA File LL 66078

FEATURES-SPECIFICATIONS

Applications

Ultimate Mini-Max™ Series enclosures are designed to house and protect electrical and electronic components in harsh, dirty environments. For use in installations where dirt, dust, oil, water and other contaminants are present. Streamlined styling, ¼ turn latch and attractive durable finish complements any high tech electronic equipment.

Construction

- Bodies and doors are fabricated from 304 or 316L stainless steel
- Seams are continuously welded and ground smooth

- Doors are sealed with a poured in place gasket
- FTC flange around the entire door opening to channel liquids
- External mounting plates on the top and bottom of the enclosure
- Continuous hinged cover
- Door is removed by pulling the stainless steel hinge pin
- Door is secured with a quarter-turn latch

Finish

- Exterior surfaces of the enclosure have a smooth grained finish

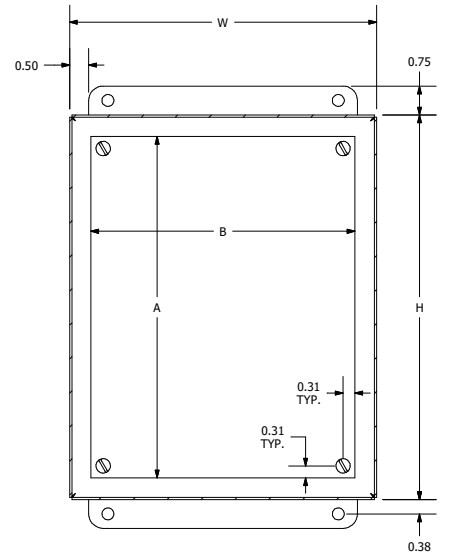
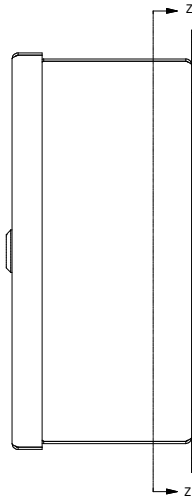
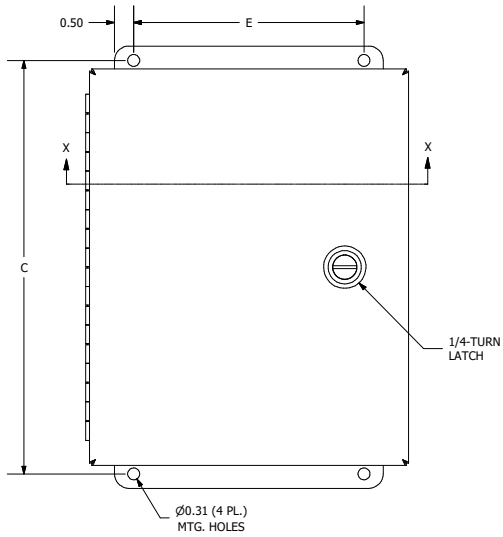
- **Optional** back panels are painted with a white polyester powder
- **Optional** “G” panels are pre-galvanized steel
- **Optional** 304SS back panels are made of 304 stainless steel

Accessories

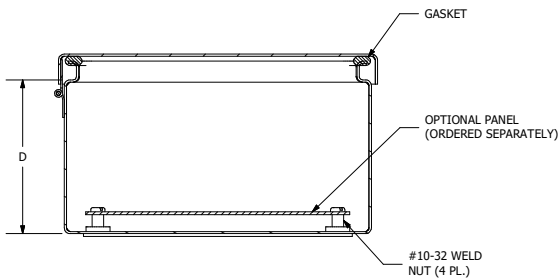
- Back panels (reference table)
- See pages L1-L24

ENCLOSURE CATALOG NUMBER		ENCLOSURE SIZE	BACK PANEL CATALOG NUMBER*			BACK PANEL SIZE A X B	MOUNTING C X E
304 SS	316L SS		WHITE	304 SS	“G”		
BN4060604CHQTSS	BN4060604CHQTSSA	6.00 x 6.00 x 4.00	P0606	P0606SS	P0606G	4.88 x 4.88	6.75 x 4.00
BN4080604CHQTSS	BN4080604CHQTSSA	8.00 x 6.00 x 4.00	P0806	P0806SS	P0806G	6.88 x 4.88	8.75 x 4.00
BN4100804CHQTSS	BN4100804CHQTSSA	10.00 x 8.00 x 4.00	P1008	P1008SS	P1008G	8.88 x 6.88	10.75 x 6.00
BN4100806CHQTSS	BN4100806CHQTSSA	10.00 x 8.00 x 6.00	P1008	P1008SS	P1008G	8.88 x 6.88	10.75 x 6.00
BN4121006CHQTSS	BN4121006CHQTSSA	12.00 x 10.00 x 6.00	P1210	P1210SS	P1210G	10.88 x 8.88	12.75 x 8.00
BN4121206CHQTSS	BN4121206CHQTSSA	12.00 x 12.00 x 6.00	P1212	P1212SS	P1212G	10.88 x 10.88	12.75 x 10.00
BN4141206CHQTSS	BN4141206CHQTSSA	14.00 x 12.00 x 6.00	P1412	P1412SS	P1412G	12.88 x 10.88	14.75 x 10.00
BN4161406CHQTSS	BN4161406CHQTSSA	16.00 x 14.00 x 6.00	P1614	P1614SS	P1614G	14.88 x 12.88	16.75 x 12.00
BN4121008CHQTSS	BN4121008CHQTSSA	12.00 x 10.00 x 8.00	P1210	P1210SS	P1210G	10.88 x 8.88	12.75 x 8.00
BN4121208CHQTSS	BN4121208CHQTSSA	12.00 x 12.00 x 8.00	P1212	P1212SS	P1212G	10.88 x 10.88	12.75 x 10.00
BN4141208CHQTSS	BN4141208CHQTSSA	14.00 x 12.00 x 8.00	P1412	P1412SS	P1412G	12.88 x 10.88	14.75 x 10.00
BN4161408CHQTSS	BN4161408CHQTSSA	16.00 x 14.00 x 8.00	P1614	P1614SS	P1614G	14.88 x 12.88	16.75 x 12.00
BN4121010CHQTSS	BN4121010CHQTSSA	12.00 x 10.00 x 10.00	P1210	P1210SS	P1210G	10.88 x 8.88	12.75 x 8.00
BN4121210CHQTSS	BN4121210CHQTSSA	12.00 x 12.00 x 10.00	P1212	P1212SS	P1212G	10.88 x 10.88	12.75 x 10.00

*Back panels must be ordered separately.



SECTION Z-Z



SECTION X-X


BN4 - AL SERIES ENCLOSURES NEMA 4X LIFT-OFF COVER WALL-MOUNT



BN4060604AL

Industry Standards

UL 50, Type 4, 4X, 12 & 13
CSA Certified, Type 4 & 12
NEMA/EEMAC Type 4, 4X, 12 & 13
IEC 60528, IP66

 UL File E23553, E470978

 CSA File LL66078

FEATURES-SPECIFICATIONS

Applications

Designed as an instrument housing or junction box for electrical, electronic, or pneumatic components. It is ideal for applications where a lightweight, corrosion resistant enclosure is required.

Construction

- Bodies and doors are fabricated from aluminum
- Seams are continuously welded and ground smooth
- Door are sealed with a poured in place gasket

- External mounting plate on the top and bottom of the enclosure
- Weldnuts are provided to secure **optional** back panels
- Stainless steel screws and clamps are included to assure a water-tight seal
- Grounding provisions are provided

Finish

- Exterior surfaces of the enclosure have a smooth grained finish
- **Optional** back panels are painted with a white polyester powder

- **Optional** "G" panels are pre-galvanized steel
- **Optional** 304SS back panels are made of 304 stainless steel
- **Optional** AL panels are unpainted aluminum

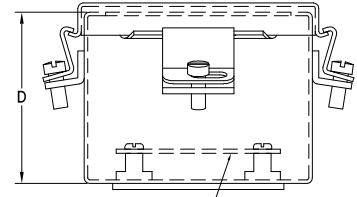
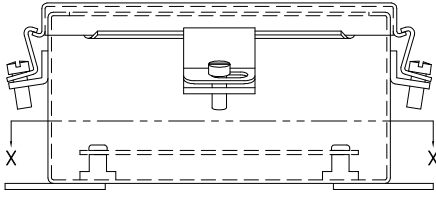
Accessories

- Back panels (reference table)
- See pages L1-L24

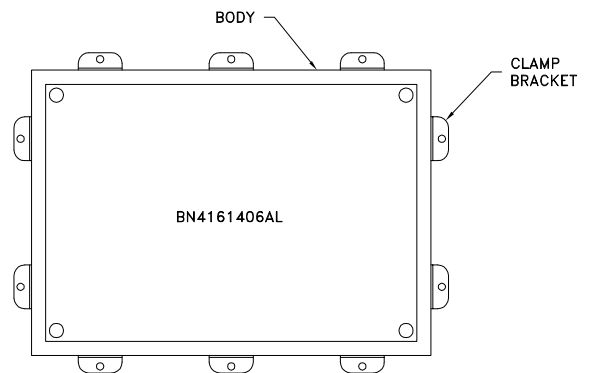
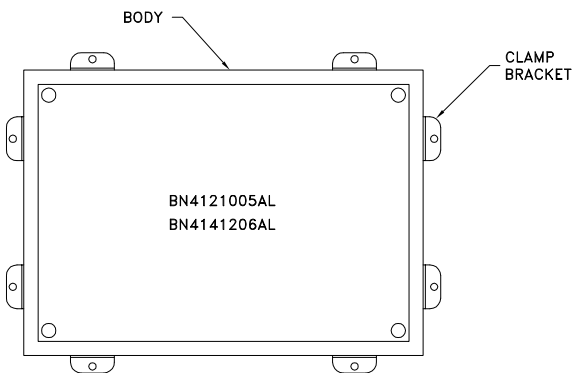
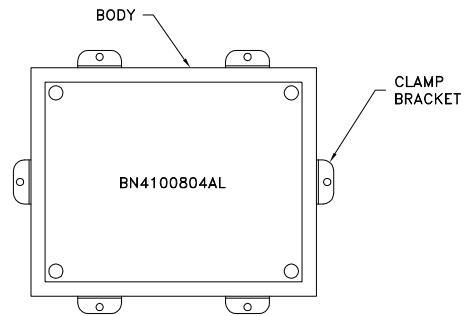
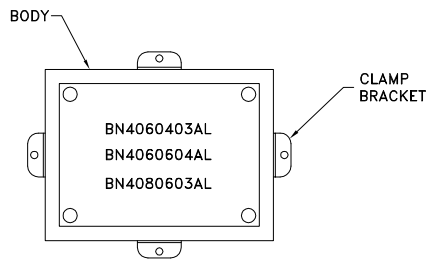
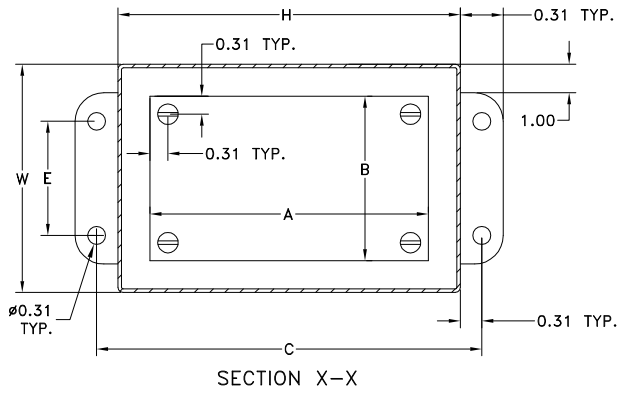
BN4-AL SERIES LIFT-OFF COVER ALUMINUM ENCLOSURES

Catalog Number	Enclosure Size HxWxD	Painted	Back Panel Catalog Number*			Back Panel AxB	Mounting CxE	Overall L x M
			"G"	SS	AL			
BN4060403AL	6.00x4.00x3.00 (152x102x89)	P0606	P0606G	P0606SS	P0606AL	4.88x2.88 (124x73)	16.75x12.00 (425x305)	17.50x15.63 (445x397)
BN4060604AL	6.00x6.00x4.00 (152x152x102)	P0606	P0606G	P0606SS	P0606AL	4.88x4.88 (124x124)	6.75x4.00 (171x102)	7.50x7.63 (191x194)
BN4080603AL	8.00x6.00x3.50 (203x152x89)	P0606	P0606G	P0606SS	P0606AL	6.88x4.88 (175x124)	8.75x4.00 (222x102)	9.50x7.63 (241x194)
BN4100804AL	10.00x8.00x4.00 (254x203x102)	P0606	P0606G	P0606SS	P0606AL	8.88x6.88 (226x175)	10.75x6.00 (273x152)	11.50x9.63 (292x244)
BN4121005AL	12.00x10.00x5.00 (305x254x127)	P0606	P0606G	P0606SS	P0606AL	10.88x8.88 (276x226)	12.75x8.00 (324x203)	13.50x11.63 (343x295)
BN4141206AL	14.00x12.00x6.00 (356x305x152)	P0606	P0606G	P0606SS	P0606AL	12.88x10.88 (327x276)	14.75x10.00 (375x254)	15.50x13.63 (394x346)
BN4161406AL	16.00x14.00x6.00 (406x356x152)	P0606	P0606G	P0606SS	P0606AL	14.88x12.88 (378x327)	16.75x12.00 (425x305)	17.50x15.63 (445x397)

*Back panels must be ordered separately



Panel (Order Separately)




BN4 - CHAL SERIES ENCLOSURES NEMA 4X JIC CONTINUOUS HINGE WALL-MOUNT



BN4080603CHAL

Industry Standards

UL 50, Type 4, 4X, 12 & 13
CSA Certified, Type 4 & 12
NEMA/EEMAC Type 4, 4X, 12 & 13
IEC 60529, IP66

 UL File E6924, E64791, E470978

 CSA File LL66078

FEATURES-SPECIFICATIONS

Applications

Designed as an instrument housing or junction box for electrical, electronic, or pneumatic components. It is ideal for applications where a lightweight, corrosion resistant enclosure is required.

Construction

- Bodies and doors are fabricated from aluminum
- Seams are continuously welded and ground smooth
- Doors are sealed with a poured in place gasket

- External mounting plate on the top and bottom of the enclosure
- Weldnuts are provided to secure **optional** back panels
- Stainless steel screws and clamps are included to assure a water-tight seal
- Grounding provisions are provided
- Door is removed by pulling the stainless steel hinge pin

Finish

- Exterior surfaces of the enclosure have a smooth grained finish

- **Optional** back panels are painted with a white polyester powder
- **Optional** "G" panels are pre-galvanized steel
- **Optional** 304SS back panels are made of 304 stainless steel
- **Optional** AL panels are unpainted aluminum

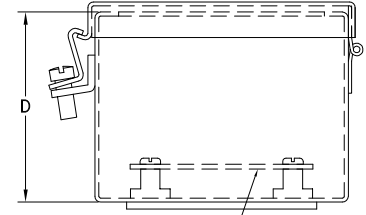
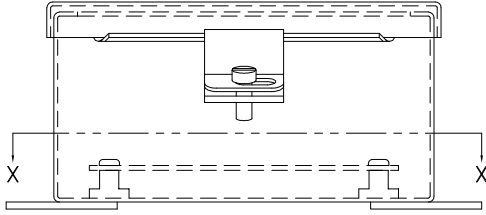
Accessories

- Back panels (reference table)
- See pages L1-L24

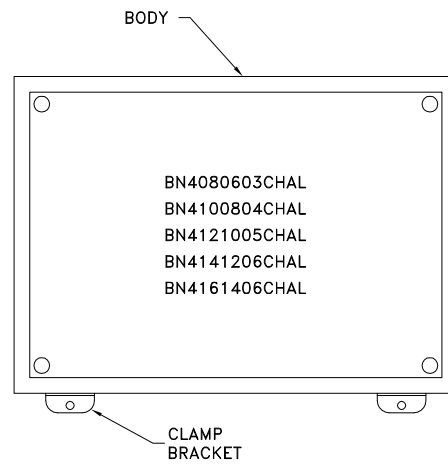
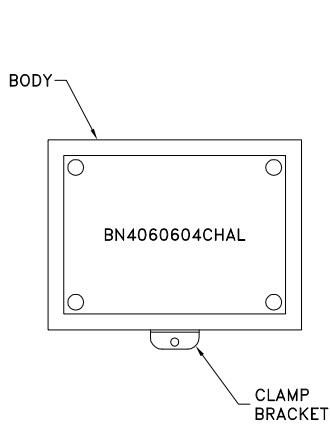
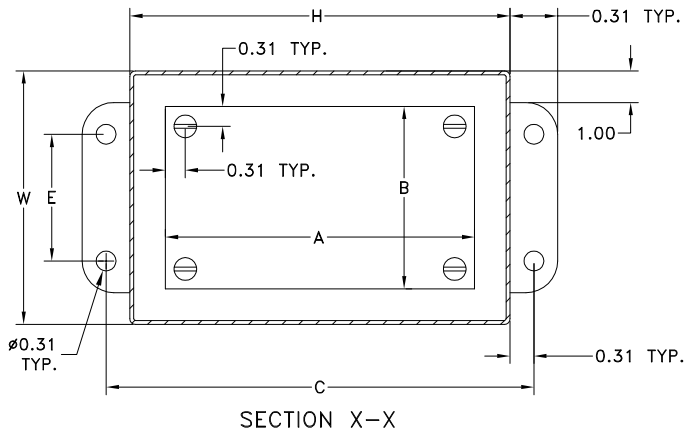
BN4-CHAL SERIES CONTINUOUS HINGE ALUMINUM ENCLOSURES

Catalog Number	Enclosure Size HxWxD	Painted	Back Panel Catalog Number*			Back Panel AxB	Mounting CxE	Overall L x M
			"G"	SS	AL			
BN4060403AL	6.00x4.00x3.00 (152x102x76)	P0606	P0606G	P0606SS	P0606AL	4.88x2.88 (124x73)	6.75x2.00 (171x51)	7.50x5.63 (191x143)
BN4060604CHAL	6.00x6.00x4.00 (152x152x102)	P0606	P0606G	P0606SS	P0606AL	4.88x4.88 (124x124)	6.75x4.00 (171x102)	7.50x7.00 (191x178)
BN4080603CHAL	8.00x6.00x3.50 (203x152x89)	P0606	P0606G	P0606SS	P0606AL	6.88x4.88 (175x124)	8.75x4.00 (222x102)	9.50x7.00 (241x178)
BN4100804CHAL	10.00x8.00x4.00 (254x203x102)	P0606	P0606G	P0606SS	P0606AL	8.88x6.88 (226x175)	10.75x6.00 (273x152)	11.50x9.00 (292x229)
BN4121005CHAL	12.00x10.00x5.00 (305x254x127)	P0606	P0606G	P0606SS	P0606AL	10.88x8.88 (276x226)	12.75x8.00 (324x203)	13.50x11.00 (343x279)
BN4141206CHAL	14.00x12.00x6.00 (356x305x152)	P0606	P0606G	P0606SS	P0606AL	12.88x10.88 (327x276)	14.75x10.00 (375x254)	15.50x13.00 (394x330)
BN4161406CHAL	16.00x14.00x6.00 (406x356x152)	P0606	P0606G	P0606SS	P0606AL	14.88x12.88 (378x327)	16.75x12.00 (425x305)	17.50x15.00 (445x381)

*Back panels must be ordered separately.




Panel (Order Separately)




WA121206GSCSS
Industry Standards

UL 50, Type 4, 4X, 12 & 13
 CSA Certified, Type 4, 4X & 12
 NEMA/EEMAC Type 4, 4X, 12 & 13
 JIC EL-1-71
 IEC IP66

 UL File E23553

 CSA File LL 66078

FEATURES-SPECIFICATIONS
Applications

Designed for use as a wiring box, junction box, pull box or terminal box with many indoor and outdoor applications where dust or moisture is a problem

Construction

- Bodies and doors are fabricated from 304 stainless steel
- Seams are continuously welded and ground smooth
- Cover contains a closed cell oil resistant neoprene gasket
- Enclosure comes with stainless steel cover screws which thread into sealed wells to prevent liquid, dust, etc. from entering into the enclosure through the screw holes
- Ground stud is located in the door
- No mounting provisions are provided

Finish

- Exterior surfaces of the enclosure have a smooth grained finish

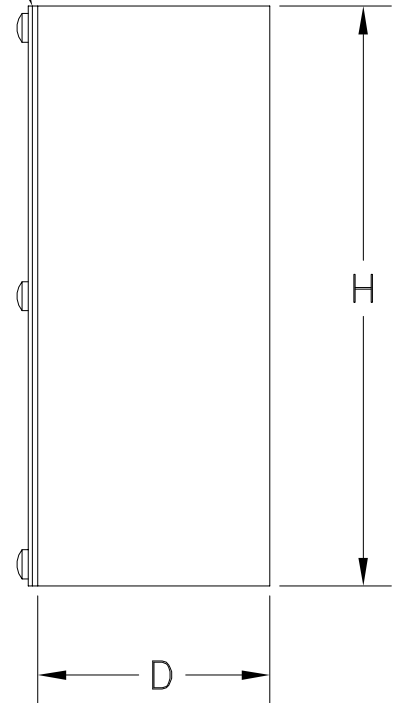
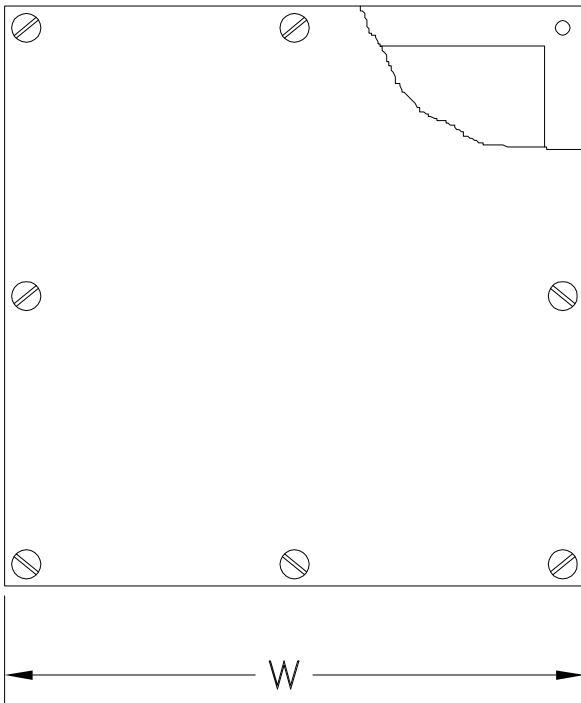
Accessories

- See pages L1-L24

WA-GSCSS SERIES 304SS SCREW-COVER ENCLOSURES

CATALOG NUMBER	ENCLOSURE SIZE H x W x D
WA060604GSCSS	6.125x6.125x4.00 (155x155x102)
WA060606GSCSS	6.125x6.125x6.00 (155x155x152)
WA060804GSCSS	6.125x8.125x4.00 (155x206x102)
WA060806GSCSS	6.125x8.125x6.00 (155x206x152)
WA080804GSCSS	8.125x8.125x4.00 (206x206x102)
WA080806GSCSS	8.125x8.125x6.00 (206x206x152)
WA081004GSCSS	8.125x10.125x4.00 (206x257x102)
WA101004GSCSS	10.125x10.125x4.00 (257x257x102)
WA101006GSCSS	10.125x10.125x6.00 (257x257x152)
WA101206GSCSS	10.125x12.125x6.00 (257x308x152)
WA121204GSCSS	12.125x12.125x4.00 (308x308x102)
WA121206GSCSS	12.125x12.125x6.00 (308x308x152)
WA121606GSCSS	12.125x16.125x6.00 (308x409x152)
WA121608GSCSS	12.125x16.125x8.00 (308x409x203)
WA161606GSCSS	16.125x16.125x6.00 (409x409x152)
WA161608GSCSS	16.125x16.125x8.00 (409x409x203)
WA181806GSCSS	18.125x18.125x6.00 (460x460x152)
WA202008GSCSS	20.125x20.125x8.00 (511x511x203)
WA202408GSCSS	20.125x24.125x8.00 (511x613x203)
WA242406GSCSS	24.125x24.125x6.00 (613x613x152)
WA242408GSCSS	24.125x24.125x8.00 (613x613x203)
WA303012GSCSS	30.25x30.25x12.00 (768x768x305)
WA363612GSCSS	36.25x36.25x12.00 (920x920x305)

CLOSED CELL GASKET
PROVIDED



WC - CSS SERIES ENCLOSURES NEMA 12 CONSOLE SINGLE DOOR



WC12C12SS


Industry Standards

UL 508A, Type 12 & 13

CSA Certified, Type 12

NEMA/EEMAC Type 12 & 13

 UL Files E64791

 CSA File LL66078

FEATURES-SPECIFICATIONS

Applications

Designed to house a variety of electronic control or instrumentation devices. Consolets provide protection from dust, dirt, oil, and water. Flexible design allows for mounting on either of two sides, creating control surfaces of 30 degrees or 60 degrees. Consolets can be mounted on desktops, pedestals, or other flat surfaces.

Construction

- Bodies and doors are fabricated from 304 stainless steel
- Seams are continuously welded and ground smooth
- Captivated cover screws thread into sealed wells
- Cover is removed by pulling the stainless steel hinge pin

- Closed cell oil resistant neoprene gasket
- Grounding provisions are provided

Finish

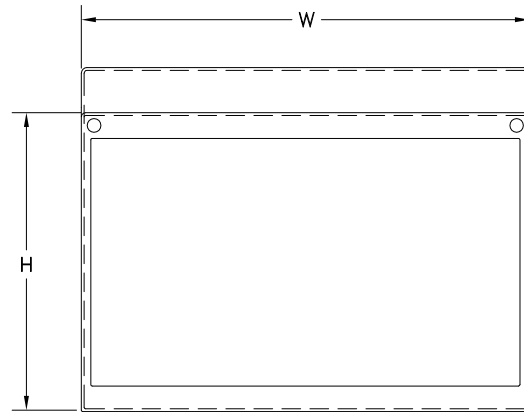
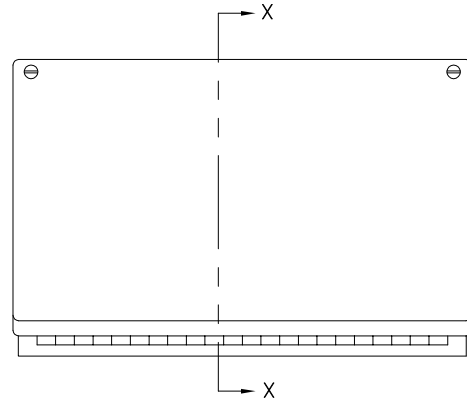
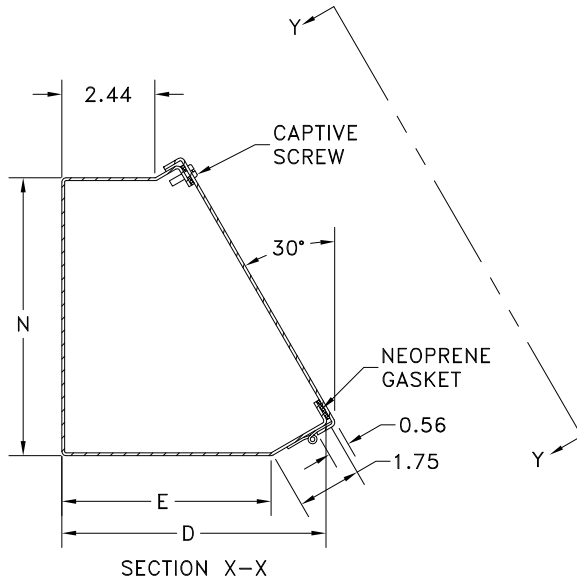
- Exterior surfaces of the enclosure have a smooth grained finish

Accessories

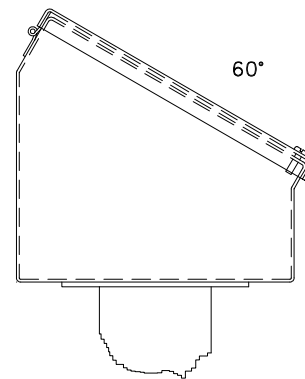
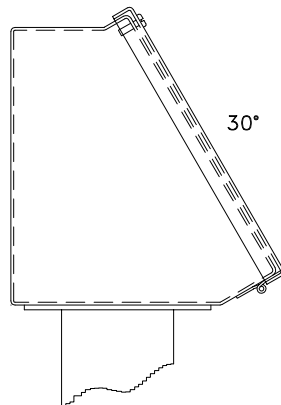
- See pages L1-L24

WC-CSS SERIES CONSOLE ENCLOSURES

Catalog Number	Enclosure Size HxWxD	E	N
WC08C08SS	8.00x8.00x7.09 (203x203x180)	5.69 (144)	7.44 (189)
WC08C12SS	8.00x12.00x7.09 (203x305x180)	5.69 (144)	7.44 (189)
WC08C16SS	8.00x16.00x7.09 (203x406x180)	5.69 (144)	7.44 (189)
WC08C20SS	8.00x20.00x7.09 (203x508x180)	5.69 (144)	7.44 (189)
WC12C12SS	12.00x12.00x9.09 (305x305x231)	7.69 (195)	10.91 (277)
WC12C16SS	12.00x16.00x9.09 (305x406x231)	7.69 (195)	10.91 (277)
WC12C20SS	12.00x20.00x9.09 (305x508x231)	7.69 (195)	10.91 (277)
WC12C24SS	12.00x24.00x9.09 (305x610x231)	7.69 (195)	10.91 (277)
WC16C16SS	16.00x16.00x11.09 (406x406x282)	9.69 (246)	14.38 (365)
WC16C20SS	16.00x20.00x11.09 (406x508x282)	9.69 (246)	14.38 (365)
WC16C24SS	16.00x24.00x11.09 (406x610x282)	9.69 (246)	14.38 (365)
WC16C30SS	16.00x30.00x11.09 (406x762x282)	9.69 (246)	14.38 (365)
WC16C36SS	16.00x36.00x11.09 (406x914x282)	9.69 (246)	14.38 (365)
WC20C20SS	20.00x20.00x13.09 (508x508x333)	11.69 (297)	17.84 (453)
WC20C24SS	20.00x24.00x13.09 (508x610x333)	11.69 (297)	17.84 (453)
WC20C30SS	20.00x30.00x13.09 (508x762x333)	11.69 (297)	17.84 (453)



VIEW Y-Y WITH COVER REMOVED



Consolet can be positioned at 30° or 60° angle.

N412 - SSC ULTIMATE SERIES ENCLOSURES NEMA 4X SINGLE DOOR WALL-MOUNT



N412201606SSC

Industry Standards

UL 508A, Type 3R, 4, 4X, 12 & 13
CSA Certified, Type 3R, 4, 4X, 12
NEMA/EEMAC Type 3R, 4, 4X, 12 & 13
IEC 60529, IP66

Wall mounting kits required to
maintain UL/CSA external mounting
requirements

 UL Files E64791, E470978

 CSA File LL66078

FEATURES-SPECIFICATIONS

Applications

N412SSC ULTIMATE Stainless Steel Series Enclosures are designed to house and protect electrical and electronic components in harsh, dirty environments. For use in installations where dirt, dust, oil, water, or other contaminants are present. Streamlined styling, flush latching, and attractive Stainless Steel finish complement any high tech electronic equipment.

Construction

- Bodies and doors are fabricated from 304 or 316L Stainless Steel
- Seams are continuously welded and ground smooth
- Increased tub opening for better access

- Concealed hinges
- Doors are interchangeable and easily removed
- Ground stud located in the door & tub
- 1/4-turn semi-flush latches are supplied to hold door securely closed
- Doors are sealed with a poured in place gasket
- Mounting holes in the back of the enclosure
- Studs for mounting **optional** Ultimate Series back panels are provided

Finish

- Exterior surfaces of the enclosure have a smooth grained finish
- **Optional** back panels are painted with a white polyester powder
- **Optional** "G" panels are pre-galvanized steel (see page L8)
- **Optional** 304SS back panels are made of 304 stainless steel

Accessories

- Back panels (reference table)
- See pages L22-L24 for ULTIMATE Series Accessories
- **Optional** N412MFKSS mounting foot kit must be ordered separately

N412-SSC ULTIMATE SERIES SINGLE DOOR STAINLESS STEEL ENCLOSURES

Catalog Number		Enclosure Size HxWxD	Back Panel Catalog Number*			Back Panel Size AxB
304 SS	316L SS		White	304 SS	"G"	
N412121206SSC	N412121206SSAC	2.00x12.00x6.00 (305x305x152)	NP1212C	NP1212SSC	NP1212CG	10.2x10.2 (259x259)
N412161206SSC	N412161206SSAC	16.00x12.00x6.00 (406x305x152)	NP1612C	NP1612SSC	NP1612CG	14.2x10.2 (361x259)
N412161606SSC	N412161606SSAC	16.00x16.00x6.00 (406x406x152)	NP1616C	NP1616SSC	NP1616CG	14.2x14.2 (361x361)
N412201606SSC	N412201606SSAC	20.00x16.00x6.00(508x406x152)	NP2016C	NP2016SSC	NP2016CG	18.2x14.2 (462x361)
N412202006SSC	N412202006SSAC	20.00x20.00x6.00(508x508x152)	NP2020C	NP2020SSC	NP2020CG	18.2x18.2 (462x462)
N412121208SSC	N412121208SSAC	12.00x12.00x8.00 (305x305x203)	NP1212C	NP1212SSC	NP1212CG	10.2x10.2 (259x259)
N412141408SSC	N412141408SSAC	14.00x14.00x8.00 (355x355x203)	NP1414C	NP1414SSC	NP1414CG	12.2x12.2 (309x309)
N412161208SSC	N412161208SSAC	16.00x12.00x8.00 (406x305x203)	NP1612C	NP1612SSC	NP1612CG	14.2x10.2 (361x259)
N412161608SSC	N412161608SSAC	16.00x16.00x8.00 (406x406x203)	NP1616C	NP1616SSC	NP1616CG	14.2x14.2 (361x361)
N412162008SSC	N412162008SSAC	16.00x20.00x8.00 (406x508x203)	NP2016C	NP2016SSC	NP2016CG	14.2x18.2 (361x462)
N412201608SSC	N412201608SSAC	20.00x16.00x8.00 (508x406x203)	NP2016C	NP2016SSC	NP2016CG	18.2x14.2 (462x361)
N412202008SSC	N412202008SSAC	20.00x20.00x8.00 (508x508x203)	NP2020C	NP2020SSC	NP2020CG	18.2x18.2 (462x462)
N412241608SSC	N412241608SSAC	24.00x16.00x8.00 (610x406x203)	NP2416C	NP2416SSC	NP2416CG	22.2x14.2 (564x361)

* Back panels must be ordered separately.

continued on page E23

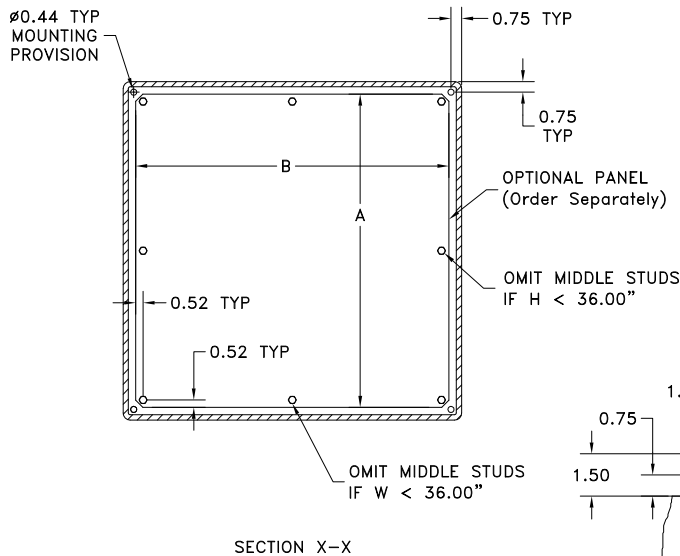
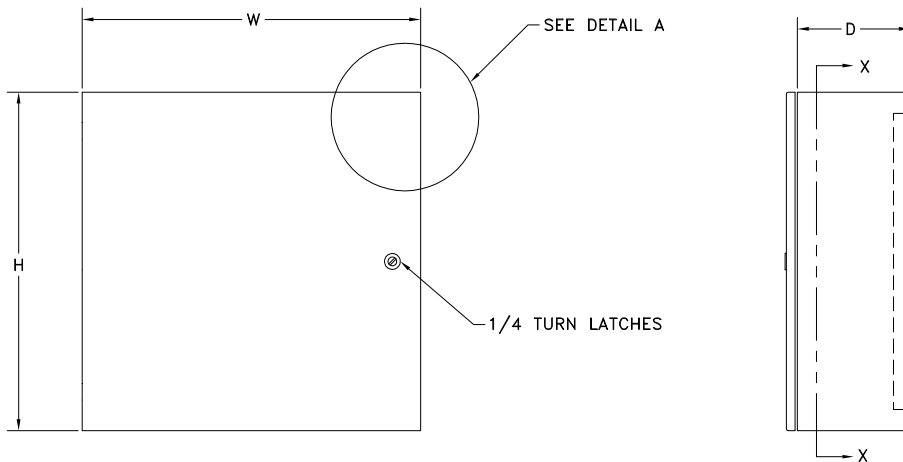
N412 - SSC ULTIMATE SERIES ENCLOSURES NEMA 4X SINGLE DOOR WALL-MOUNT

E23

N412-SSC ULTIMATE SERIES SINGLE DOOR STAINLESS STEEL ENCLOSURES (CONT.)

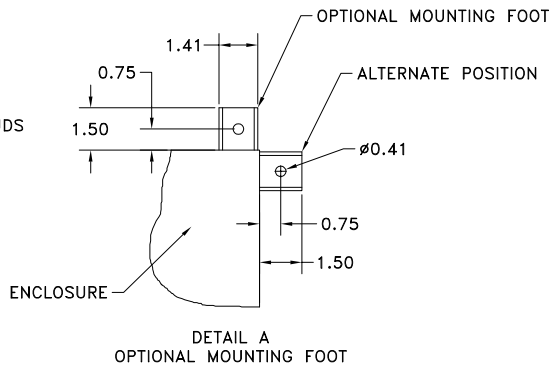
Catalog Number		Enclosure Size HxWxD	Back Panel Catalog Number*			Back Panel Size AxB
304 SS	316L SS		White	304 SS	"G"	
N412242008SSC	N412242008SSAC	24.00x20.00x8.00(610x508x203)	NP2420C	NP2420SSC	NP2420CG	22.2x18.2(564x462)
N412242408SSC	N412242408SSAC	24.00x24.00x8.00(610x610x203)	NP2424C	NP2424SSC	NP2424CG	22.2x22.2(564x564)
N412302408SSC	N412302408SSAC	30.00x24.00x8.00(762x610x203)	NP3024C	NP3024SSC	NP3024CG	28.2x22.2(716x564)
N412303008SSC	N412303008SSAC	30.00x30.00x8.00(762x610x203)	NP3030C	NP3030SSC	NP3030CG	28.2x28.2(716x716)
N412362408SSC	N412362408SSAC	36.00x24.00x8.00(914x610x203)	NP3624C	NP3624SSC	NP3624CG	34.2x22.2(869x564)
N412363008SSC	N412363008SSAC	36.00x30.00x8.00(914x762x203)	NP3630C	NP3630SSC	NP3630CG	34.2x28.2(869x716)
N412161210SSC	N412161210SSAC	16.00x12.00x10.00(406x305x254)	NP1612C	NP1612SSC	NP1612CG	14.2x10.2(361x259)
N412161610SSC	N412161610SSAC	16.00x16.00x10.00(406x406x254)	NP1616C	NP1616SSC	NP1616CG	14.2x14.2(361x361)
N412162010SSC	N412162010SSAC	16.00x20.00x10.00(406x508x203)	NP1620C	NP1620SSC	NP1620CG	14.2x18.2(361x467)
N412201610SSC	N412201610SSAC	20.00x16.00x10.00(508x406x254)	NP2016C	NP2016SSC	NP2016CG	18.2x14.2(467x361)
N412202010SSC	N412202010SSAC	20.00x20.00x10.00(508x508x254)	NP2020C	NP2020SSC	NP2020CG	18.2x18.2(467x467)
N412241610SSC	N412241610SSAC	24.00x16.00x10.00(610x406x254)	NP2416C	NP2416SSC	NP2416CG	22.2x14.2(564x361)
N412242010SSC	N412242010SSAC	24.00x20.00x10.00(610x508x254)	NP2020C	NP2020SSC	NP2020CG	18.2x18.2(467x467)
N412242410SSC	N412242410SSAC	24.00x24.00x10.00(610x610x254)	NP2424C	NP2424SSC	NP2424CG	22.2x22.2(569x569)
N412302410SSC	N412302410SSAC	30.00x24.00x10.00(762x610x254)	NP3024C	NP3024SSC	NP3024CG	28.2x22.2(716x564)
N412303010SSC	N412303010SSAC	30.00x30.00x10.00(762x762x254)	NP3030C	NP3030SSC	NP3030CG	28.2x28.2(716x716)
N412362410SSC	N412362410SSAC	36.00x24.00x10.00(914x610x254)	NP3624C	NP3624SSC	NP3624CG	34.2x22.2(869x564)
N412363010SSC	N412363010SSAC	36.00x30.00x10.00(914x762x254)	NP3630C	NP3630SSC	NP3630CG	34.2x28.2(869x716)
N412363610SSC	N412363610SSAC	36.00x36.00x10.00(914x914x254)	NP3636C	NP3636SSC	NP3636CG	34.2x34.2(869x869)
N412423610SSC	N412423610SSAC	42.00x36.00x10.00(1067x914x254)	NP4236C	NP4236SSC	NP4236CG	40.2x34.2(1021x869)
N412483610SSC	N412483610SSAC	48.00x36.00x10.00(1219x914x254)	NP4836C	NP4836SSC	NP4836CG	46.2x34.2(1173x869)
N412603610SSC	N412603610SSAC	60.00x36.00x10.00(1524x914x254)	NP6036C	NP6036SSC	NP6036CG	58.2x34.2(1478x869)
N412202012SSC	N412202012SSAC	20.00x20.00x12.00(508x508x305)	NP2020C	NP2020SSC	NP2020CG	18.2x18.2(462x462)
N412242412SSC	N412242412SSAC	24.00x24.00x12.00(610x610x305)	NP2424C	NP2424SSC	NP2424CG	22.2x22.2(564x564)
N412302412SSC	N412302412SSAC	30.00x24.00x12.00(762x610x305)	NP3024C	NP3024SSC	NP3024CG	28.2x22.2(716x564)
N412362412SSC	N412362412SSAC	36.00x24.00x12.00(914x610x305)	NP3624C	NP3624SSC	NP3624CG	34.2x22.2(869x564)
N412363012SSC	N412363012SSAC	36.00x30.00x12.00(914x762x305)	NP3630C	NP3630SSC	NP3630CG	34.2x28.2(869x716)
N412363612SSC	N412363612SSAC	36.00x36.00x12.00(914x914x305)	NP3636C	NP3636SSC	NP3636CG	34.2x34.2(869x869)
N412423612SSC	N412423612SSAC	42.00x36.00x12.00(1067x914x305)	NP4236C	NP4236SSC	NP4236CG	40.2x34.2(1021x869)
N412483612SSC	N412483612SSAC	48.00x36.00x12.00(1219x914x305)	NP4836C	NP4836SSC	NP4836CG	46.2x34.2(1173x869)
N412603612SSC	N412603612SSAC	60.00x36.00x12.00(1524x914x305)	NP6036C	NP6036SSC	NP6036CG	58.2x34.2(1478x869)

* Back panels must be ordered separately.



Notes:

1. Enclosures that are 24"x24" or larger receive two 1/4 turn latches. When H=40.00" or more a 3-point latch is provided.
2. Two hinges provided when H<36.00". Three hinges provided when H=36.00" or greater. Four hinges provided when H=48.00" or greater.



N412 - WSSC ULTIMATE SERIES ENCLOSURES NEMA 4X SINGLE DOOR WALL-MOUNT WITH WINDOW

E25



N412202006WSSC

Industry Standards

UL 508A, Type 3R, 4, 4X, 12
CSA Certified, Type 3R, 4, 4X, 12
NEMA/EEMAC Type 3R, 4, 4X, 12
IEC 60529, IP66

Wall mounting kits required to maintain UL/CSA external mounting requirements

 UL Files E64791, E470978

 CSA File LL66078

FEATURES-SPECIFICATIONS

Applications

N412SSC ULTIMATE Series Enclosures are designed to house and protect electrical and electronic components in harsh, dirty environments. For use in installations where dirt, dust, oil, water, or other contaminants are present. Streamlined styling, flush latching, and attractive Stainless Steel finish complement any high tech electronic equipment.

Construction

- Bodies and doors are fabricated from 304 or 316L Stainless Steel
- Seams are continuously welded and ground smooth
- Increased tub opening for better access

- Polycarbonate viewing window for clear visibility
- Concealed hinges
- Doors are interchangeable and easily removed
- Ground stud located in the door & tub
- 1/4-turn semi-flush latches are supplied to hold door securely closed
- Doors are sealed with a poured in place gasket
- Mounting holes in the back of the enclosure
- Studs for mounting optional Ultimate Series back panels are provided

Finish

- Exterior surfaces of the enclosure have a smooth grained finish
- **Optional** back panels are painted with a white polyester powder
- **Optional** "G" panels are pre-galvanized steel (see page L8)
- **Optional** 304SS back panels are made of 304 stainless steel

Accessories

- Back panels (reference table)
- See pages L22-L24 for ULTIMATE Series Accessories
- **Optional** N412MFKSS mounting foot kit must be ordered separately (see page L8)

N412WSSC ULTIMATE SERIES SINGLE DOOR WITH WINDOW STAINLESS STEEL ENCLOSURES

Catalog Number 304 SS	Enclosure Size HxWxD	Window Size	Back Panel Catalog Number*		Back Panel Size AxB
			White	"G"	
N412121206WSSC	12.00x12.00x6.00 (305x305x152)	7.50 x 6.25 (191 x 159)	NP1212C	NP1212CG	10.2x10.2 (259x259)
N412161206WSSC	16.00x12.00x6.00 (406x305x152)	11.50 x 6.25 (292 x 159)	NP1612C	NP1612CG	14.2x10.2 (361x259)
N412201606WSSC	20.00x16.00x6.00 (508x406x152)	15.50 x 10.25 (394 x 260)	NP2016C	NP2016CG	18.2x14.2 (462x361)
N412202006WSSC	20.00x20.00x6.00 (508x508x152)	15.50 x 14.25 (394 x 362)	NP2020C	NP2020CG	18.2x18.2 (462x462)
N412242006WSSC	24.00x20.00x6.00 (610x508x152)	19.50 x 14.25 (495 x 362)	NP2420C	NP2420CG	22.2x18.2 (564x462)
N412242406WSSC	24.00x24.00x6.00 (610x610x152)	19.50 x 18.25 (495 x 464)	NP2424C	NP2424CG	22.2x22.2 (564x564)
N412302406WSSC	30.00x24.00x6.00 (762x610x152)	25.50 x 18.25 (648 x 464)	NP3024C	NP3024CG	28.2x22.2 (716x564)
N412121208WSSC	12.00x12.00x8.00 (305x305x203)	7.50 x 6.25 (191 x 159)	NP1212C	NP1212CG	10.2x10.2 (259x259)
N412161208WSSC	16.00x12.00x8.00 (406x305x203)	11.50 x 6.25 (292 x 159)	NP1612C	NP1612CG	14.2x10.2 (361x259)
N412201608WSSC	20.00x16.00x8.00 (508x406x203)	15.50 x 10.25 (394 x 260)	NP2016C	NP2016CG	18.2x14.2 (462x361)
N412202008WSSC	20.00x20.00x8.00 (508x508x203)	15.50 x 14.25 (394 x 362)	NP2020C	NP2020CG	18.2x18.2 (462x462)
N412242008WSSC	24.00x20.00x8.00 (610x508x203)	19.50 x 14.25 (495 x 362)	NP2420C	NP2420CG	22.2x18.2 (564x462)

*Back panels must be ordered separately.

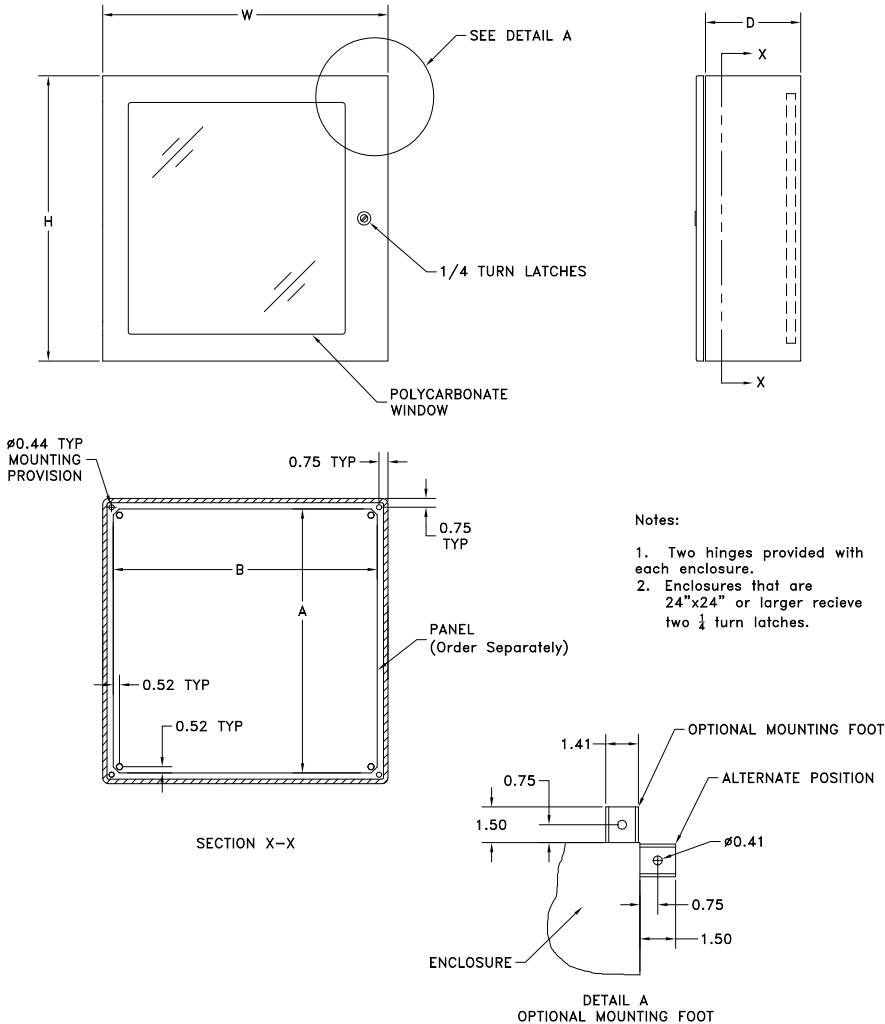
continued on page E26

**N412 - WSSC ULTIMATE SERIES ENCLOSURES
NEMA 4X SINGLE DOOR WALL-MOUNT WITH WINDOW**

N412WSSC ULTIMATE SERIES SINGLE DOOR WITH WINDOW STAINLESS STEEL ENCLOSURES (CONT.)

Catalog Number 304 SS	Enclosure Size HxWxD	Window Size	Back Panel Catalog Number*		Back Panel Size AxB
			White	"G"	
N412242408WSSC	24.00x24.00x8.00 (610x610x203)	19.50 x 18.25 (495 x 464)	NP2424C	NP2424CG	22.2x22.2 (564x564)
N412302408WSSC	30.00x24.00x8.00 (762x610x203)	25.50 x 18.25 (648 x 464)	NP3024C	NP3024CG	28.2x22.2 (716x564)
N412161210WSSC	16.00x12.00x10.00 (406x305x254)	11.50 x 6.25 (292 x 159)	NP1612C	NP1612CG	14.2x10.2 (361x259)
N412201610WSSC	20.00x16.00x10.00 (508x406x254)	15.50 x 10.25 (394 x 260)	NP2016C	NP2016CG	18.2x14.2 (462x361)
N412202010WSSC	20.00x20.00x10.00 (508x508x254)	15.50 x 14.25 (394 x 362)	NP2020C	NP2020CG	18.2x18.2 (462x462)
N412242010WSSC	24.00x20.00x10.00 (610x508x254)	19.50 x 14.25 (495 x 362)	NP2420C	NP2420CG	22.2x18.2 (564x462)
N412242410WSSC	24.00x24.00x10.00 (610x610x254)	19.50 x 18.25 (495 x 464)	NP2424C	NP2424CG	22.2x22.2 (564x564)
N412302410WSSC	30.00x24.00x10.00 (762x610x254)	25.50 x 18.25 (648 x 464)	NP3024C	NP3024CG	28.2x22.2 (716x564)
N412202012WSSC	20.00x20.00x12.00 (508x508x305)	15.50 x 14.25 (394 x 362)	NP2020C	NP2020CG	18.2x18.2 (462x462)
N412242012WSSC	24.00x20.00x12.00 (610x508x305)	19.50 x 14.25 (495 x 362)	NP2420C	NP2420CG	22.2x18.2 (564x462)
N412242412WSSC	24.00x24.00x12.00 (610x610x305)	19.50 x 18.25 (495 x 464)	NP2424C	NP2424CG	22.2x22.2 (564x564)
N412302412WSSC	30.00x24.00x12.00 (762x610x305)	25.50 x 18.25 (648 x 464)	NP3024C	NP3024CG	28.2x22.2 (716x564)
N412242416WSSC	24.00x24.00x16.00 (610x610x406)	19.50 x 18.25 (495 x 464)	NP2424C	NP2424CG	22.2x22.2 (564x564)
N412242420WSSC	24.00x24.00x20.00 (610x610x508)	19.50 x 18.25 (495 x 464)	NP2424C	NP2424CG	22.2x22.2 (564x564)
N412302420WSSC	30.00x24.00x20.00 (762x610x508)	25.50 X 18.25 (648 X 464)	NP3024C	NP3024CG	28.2X22.2 (716X564)

*Back panels must be ordered separately.





N412201606SS3PTC

Industry Standards

UL 508A, Type 3R, 4, 4X, 12 & 13
CSA Certified, Type 3R, 4, 4X, 12
NEMA/EEMAC Type 3R, 4, 4X, 12 & 13
IEC 60529, IP66

Wall mounting kits required to maintain UL/CSA external mounting requirements

 UL Files E64791, E470978

 CSA File LL66078

FEATURES-SPECIFICATIONS

Applications

N412SS3PTC ULTIMATE Series Enclosures are designed to house and protect electrical and electronic components in harsh, dirty environments. For use in installations where dirt, dust, oil, water, or other contaminants are present. Streamlined styling, flush latching, and attractive durable finish complements any high tech electronic equipment.

Construction

- Bodies and doors are fabricated from 304 or 316L stainless steel

- Seams are continuously welded and ground smooth
- Doors are interchangeable and easily removed
- Grounding studs are welded to the door and body assuring a positive ground
- Foam in place door gasket
- Mounting holes in the back of the enclosure
- Collar studs for mounting **optional** back panels are provided
- 3-point 316L SS padlocking handle

Finish

- Exterior surfaces of the enclosure have a smooth grained finish
- **Optional** back panels are painted with a white polyester powder
- **Optional** “G” panels are pre-galvanized steel
- **Optional** 304SS back panels are made of 304 stainless steel

Accessories

- Back panels (reference table)
- See pages L1-L24
- **Optional** N412MFKSS mounting foot kit must be ordered separately

N412 SS3PTC SERIES SINGLE DOOR WALL-MOUNT 304 STAINLESS ENCLOSURES

Catalog Number	Enclosure Size HxWxD	Back Panel Catalog Number*			Back Panel Size AxB
		White	304 SS	“G”	
N412121206SS1PTC	12.00x12.00x6.00 (305x305x152)	NP1212C	NP1212SSC	NP1212CG	10.2x10.2(259x259)
N412161206SS1PTC	16.00x12.00x6.00 (406x305x152)	NP1612C	NP1612SSC	NP1612CG	14.2x10.2 (361x259)
N412161606SS1PTC	16.00x16.00x6.00 (406x406x152)	NP1616C	NP1616SSC	NP1616CG	14.2x14.2 (361x361)
N412201606SS1PTC	20.00x16.00x6.00 (508x406x152)	NP2016C	NP2016SSC	NP2016CG	18.2x14.2 (462x361)
N412202006SS1PTC	20.00x20.00x6.00 (508x508x152)	NP2020C	NP2020SSC	NP2020CG	18.2x18.2 (462x462)
N412161208SS1PTC	16.00x12.00x8.00 (406x305x203)	NP1612C	NP1612SSC	NP1612CG	14.2x10.2 (361x259)
N412161608SS1PTC	16.00x16.00x8.00 (406x406x203)	NP1616C	NP1616SSC	NP1616CG	14.2x14.2 (361x361)
N412162008SS1PTC	16.00x20.00x8.00 (406x508x203)	NP1620C	NP1620SSC	NP1620CG	14.2x18.2 (361x462)
N412201608SS1PTC	20.00x16.00x8.00 (508x406x203)	NP2016C	NP2016SSC	NP2016CG	18.2x14.2 (462x361)
N412202008SS1PTC	20.00x20.00x8.00 (508x508x203)	NP2020C	NP2020SSC	NP2020CG	18.2x18.2 (462x462)
N412241608SS3PTC	24.00x16.00x8.00 (610x406x203)	NP2416C	NP2416SSC	NP2416CG	22.2x14.2 (564x361)
N412242008SS3PTC	24.00x20.00x8.00 (610x508x203)	NP2420C	NP2420SSC	NP2420CG	22.2x18.2 (564x462)
N412242408SS3PTC	24.00x24.00x8.00 (610x610x203)	NP2424C	NP2424SSC	NP2424CG	22.2x22.2 (564x564)
N412302408SS3PTC	30.00x24.00x8.00 (762x610x203)	NP3024C	NP3024SSC	NP3024CG	28.2x22.2 (716x564)
N412303008SS3PTC	30.00x30.00x8.00 (762x762x203)	NP3030C	NP3030SSC	NP3030CG	28.2x28.2 (716x716)
N412362408SS3PTC	36.00x24.00x8.00 (914x610x203)	NP3624C	NP3624SSC	NP3624CG	34.2x22.2 (869x564)

*Back panels must be ordered separately.

Continued on page E28

N412 - SS3PTC & SSA3PTC ULTIMATE SERIES ENCLOSURES NEMA 4, 4X & 12 SINGLE DOOR WALL-MOUNT

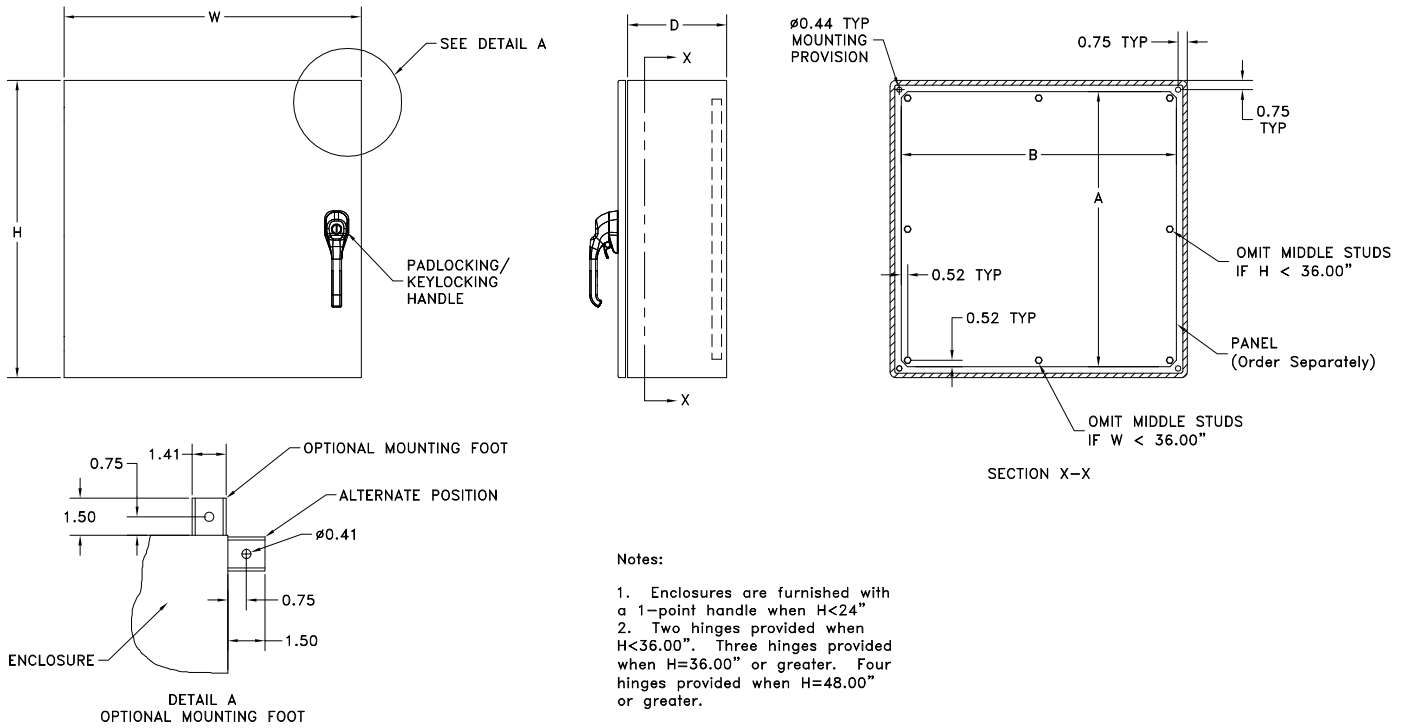
N412 SS3PTC SERIES SINGLE DOOR WALL-MOUNT 304 STAINLESS STEEL ENCLOSURES

Catalog Number	Enclosure Size HxWxD	Back Panel Catalog Number*			Back Panel Size AxB
		White	304 SS	"G"	
N412363008SS3PTC	36.00x30.00x8.00 (914x762x203)	NP3630C	NP3630SSC	NP3630CG	34.2x28.2 (869x716)
N412202012SS1PTC	20.00x20.00x12.00 (508x508x305)	NP2020C	NP2020SSC	NP2020CG	18.2x18.2 (462x462)
N412242412SS3PTC	24.00x24.00x12.00 (610x610x305)	NP2424C	NP2424SSC	NP2424CG	22.2x22.2 (564x564)
N412302412SS3PTC	30.00x24.00x12.00 (762x610x305)	NP3024C	NP3024SSC	NP3024CG	28.2x22.2 (716x564)
N412362412SS3PTC	36.00x24.00x12.00 (914x610x305)	NP3624C	NP3624SSC	NP3624CG	34.2x22.2 (869x564)
N412363012SS3PTC	36.00x30.00x12.00 (914x762x305)	NP3630C	NP3630SSC	NP3630CG	34.2x28.2 (869x716)
N412363612SS3PTC	36.00x36.00x12.00 (914x914x305)	NP3636C	NP3636SSC	NP3636CG	34.2x34.2 (869x869)
N412423612SS3PTC	42.00x36.00x12.00 (1067x914x305)	NP4236C	NP4236SSC	NP4236CG	40.2x34.2 (1021x869)
N412483612SS3PTC	48.00x36.00x12.00 (1219x914x305)	NP4836C	NP4836SSC	NP4836CG	46.2x34.2 (1173x869)
N412603612SS3PTC	60.00x36.00x12.00 (1524x914x305)	NP6036C	NP6036SSC	NP6036CG	58.2x34.2 (1478x869)

N412 SSA3PTC SERIES SINGLE DOOR WALL-MOUNT 316 STAINLESS STEEL ENCLOSURES

Catalog Number	Enclosure Size HxWxD	Back Panel Catalog Number*			Back Panel Size AxB
		White	304 SS	"G"	
N412121206SSA1PTC	12.00x12.00x6.00 (305x305x152)	NP1212C	NP1212SSC	NP1212CG	10.2x10.2 (259x259)
N412161206SSA1PTC	16.00x12.00x6.00 (406x305x152)	NP1612C	NP1612SSC	NP1612CG	14.2x10.2 (361x259)
N412161606SSA1PTC	16.00x16.00x6.00 (406x406x152)	NP1616C	NP1616SSC	NP1616CG	14.2x14.2 (361x361)
N412201606SSA1PTC	20.00x16.00x6.00 (508x406x152)	NP2016C	NP2016SSC	NP2016CG	18.2x14.2 (462x361)
N412202006SSA1PTC	20.00x20.00x6.00 (508x508x152)	NP2020C	NP2020SSC	NP2020CG	18.2x18.2 (462x462)
N412161208SSA1PTC	16.00x12.00x8.00 (406x305x203)	NP1612C	NP1612SSC	NP1612CG	14.2x10.2 (361x259)
N412161608SSA1PTC	16.00x16.00x8.00 (406x406x203)	NP1616C	NP1616SSC	NP1616CG	14.2x14.2 (361x361)
N412162008SSA1PTC	16.00x20.00x8.00 (406x508x203)	NP1620C	NP1620SSC	NP1620CG	14.2x18.2 (361x462)
N412201608SSA1PTC	20.00x16.00x8.00 (508x406x203)	NP2016C	NP2016SSC	NP2016CG	18.2x14.2 (462x361)
N412202008SSA1PTC	20.00x20.00x8.00 (508x508x203)	NP2020C	NP2020SSC	NP2020CG	18.2x18.2 (462x462)
N412241608SSA3PTC	24.00x16.00x8.00 (610x406x203)	NP2416C	NP2416SSC	NP2416CG	22.2x14.2 (564x361)
N412242008SSA3PTC	24.00x20.00x8.00 (610x508x203)	NP2420C	NP2420SSC	NP2420CG	22.2x18.2 (564x462)
N412242408SSA3PTC	24.00x24.00x8.00 (610x610x203)	NP2424C	NP2424SSC	NP2424CG	22.2x22.2 (564x564)
N412302408SSA3PTC	30.00x24.00x8.00 (762x610x203)	NP3024C	NP3024SSC	NP3024CG	28.2x22.2 (716x564)
N412303008SSA3PTC	30.00x30.00x8.00 (762x762x203)	NP3030C	NP3030SSC	NP3030CG	28.2x28.2 (716x716)
N412362408SSA3PTC	36.00x24.00x8.00 (914x610x203)	NP3624C	NP3624SSC	NP3624CG	34.2x22.2 (869x564)
N412363008SSA3PTC	36.00x30.00x8.00 (914x762x203)	NP3630C	NP3630SSC	NP3630CG	34.2x28.2 (869x716)
N412202012SSA1PTC	20.00x20.00x12.00 (508x508x305)	NP2020C	NP2020SSC	NP2020CG	18.2x18.2 (462x462)
N412242412SSA3PTC	24.00x24.00x12.00 (610x610x305)	NP2424C	NP2424SSC	NP2424CG	22.2x22.2 (564x564)
N412302412SSA3PTC	30.00x24.00x12.00 (762x610x305)	NP3024C	NP3024SSC	NP3024CG	28.2x22.2 (716x564)
N412362412SSA3PTC	36.00x24.00x12.00 (914x610x305)	NP3624C	NP3624SSC	NP3624CG	34.2x22.2 (869x564)
N412363012SSA3PTC	36.00x30.00x12.00 (914x762x305)	NP3630C	NP3630SSC	NP3630CG	34.2x28.2 (869x716)
N412363612SSA3PTC	36.00x36.00x12.00 (914x914x305)	NP3636C	NP3636SSC	NP3636CG	34.2x34.2 (869x869)
N412423612SSA3PTC	42.00x36.00x12.00 (1067x914x305)	NP4236C	NP4236SSC	NP4236CG	40.2x34.2 (1021x869)
N412483612SSA3PTC	48.00x36.00x12.00 (1219x914x305)	NP4836C	NP4836SSC	NP4836CG	46.2x34.2 (1173x869)
N412603612SSA3PTC	60.00x36.00x12.00 (1524x914x305)	NP6036C	NP6036SSC	NP6036CG	58.2x34.2 (1478x869)

*Back panels must be ordered separately.



N412 - CSSST ULTIMATE SERIES SLOPE-TOP ENCLOSURES NEMA 4, 4X, 12 & 13 STAINLESS SINGLE DOOR



N412201612CSSST

Industry Standards

UL 508A, Type 3R, 4, 4X, 12 & 13
CSA Certified, Type 3R, 4, 4X, 12
NEMA/EEMAC Type 3R, 4, 4X, 12
IEC 60529, IP66

Wall mounting kits required to
maintain UL/CSA external mounting
requirements

 UL Files E64791, E470978

 CSA File LL66078

FEATURES-SPECIFICATIONS

Applications

N412CSSST ULTIMATE Series Enclosures are designed to house and protect electrical and electronic components in harsh, dirty environments. For use in installations where dirt, dust, oil, water, or other contaminants are present. Streamlined styling, flush latching, and attractive durable finish complements any high tech electronic equipment.

Construction

- Bodies and doors are fabricated from 304 stainless steel
- Seams are continuously welded and ground smooth
- Increased tub opening for better access

- 20° sloped top
- Sloped "Top Tub Flange"
- Concealed hinges
- Doors are interchangeable and easily removed
- Grounding provisions are provided
- 1/4-turn semi-flush oil-tight latches are supplied to hold door securely closed
- Doors are sealed with a poured in place gasket
- Mounting holes in the back of the enclosure
- Studs for mounting **optional** Ultimate Series back panels are provided

Finish

- Exterior surfaces of the enclosure have a smooth grained finish
- **Optional** back panels are painted with a white polyester powder
- **Optional** "G" panels are pre-galvanized steel
- **Optional** 304SS back panels are made of 304 stainless steel

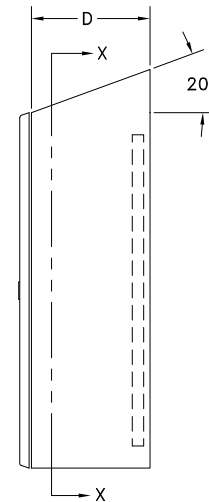
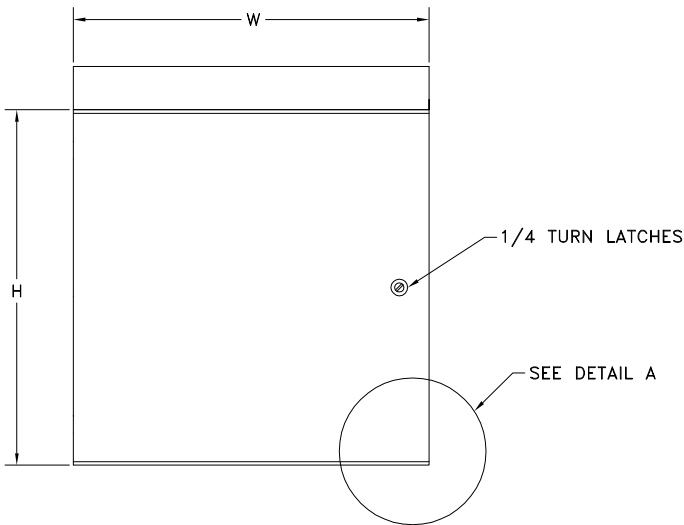
Accessories

- Back panels (reference table)
- See pages L1-L24.
- **Optional** N412MFKSS mounting foot kit must be ordered separately (see page L8)

N412 CSSST SERIES SINGLE DOOR SLOPE-TOP 304 STAINLESS STEEL ENCLOSURES

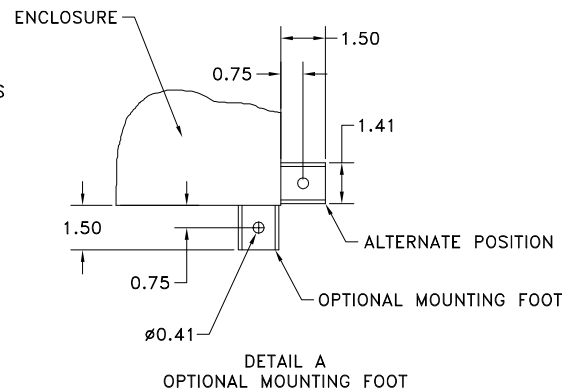
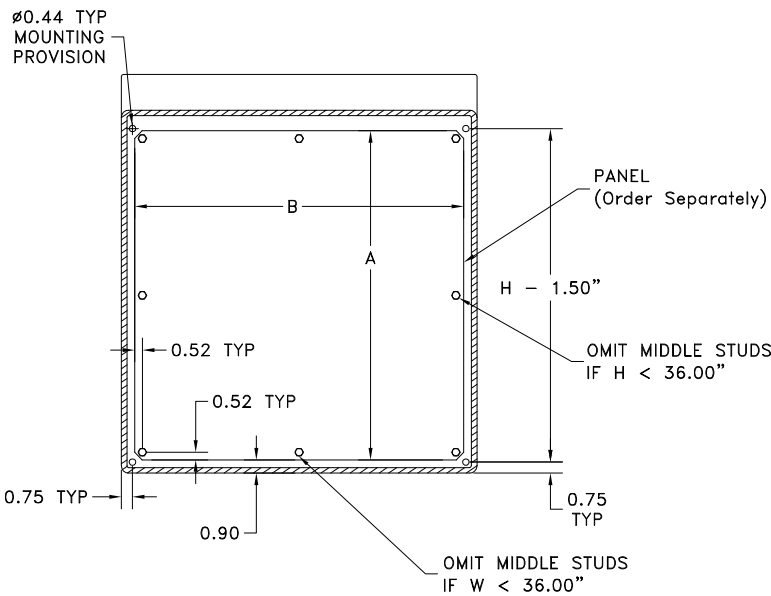
Catalog Number	Enclosure Size HxWxD	Back Panel Catalog Number*			Back Panel Size AxB
		White	304 SS	"G"	
N412161208CSSST	16.00x12.00x 8.00 (406x305x203)	NP1612C	NP1612SSC	NP1612CG	14.2x10.2 (361x259)
N412161608CSSST	16.00x16.00x 8.00 (406x406x203)	NP1616C	NP1616SSC	NP1616CG	14.2x14.2 (361x361)
N412201608CSSST	20.00x16.00x 8.00 (508x406x203)	NP2016C	NP2016SSC	NP2016CG	18.2x14.2 (462x361)
N412201612CSSST	20.00x16.00x12.00 (508x406x305)	NP2016C	NP2016SSC	NP2016CG	18.2x14.2 (462x361)
N412202008CSSST	20.00x20.00x8.00 (508x508x203)	NP2020C	NP2020SSC	NP2020CG	18.2x18.2 (462x462)
N412202012CSSST	20.00x20.00x12.00 (508x508x305)	NP2020C	NP2020SSC	NP2020CG	18.2x18.2 (462x462)
N412242008CSSST	24.00x20.00x8.00 (610x508x203)	NP2420C	NP2420SSC	NP2420CG	22.2x18.2 (564x462)
N412242408CSSST	24.00x24.00x 8.00 (610x610x203)	NP2424C	NP2424SSC	NP2424CG	22.2x22.2 (564x564)
N412242412CSSST	24.00x24.00x12.00 (610x610x305)	NP2424C	NP2424SSC	NP2424CG	22.2x22.2 (564x564)
N412302408CSSST	30.00x24.00x 8.00 (762x610x203)	NP3024C	NP3024SSC	NP3024CG	28.2x22.2 (716x564)
N412302412CSSST	30.00x24.00x12.00 (762x610x305)	NP3024C	NP3024SSC	NP3024CG	28.2x22.2 (716x564)
N412303008CSSST	30.00x30.00x 8.00 (762x762x203)	NP3030C	NP3030SSC	NP3030CG	28.2x28.2 (716x716)
N412363008CSSST	36.00x30.00x 8.00 (914x762x203)	NP3630C	NP3630SSC	NP3630CG	34.2x28.2 (869x716)
N412363012CSSST	36.00x30.00x12.00 (914x762x305)	NP3630C	NP3630SSC	NP3630CG	34.2x28.2 (869x716)
N412363016CSSST	36.00x30.00x16.00 (914x762x406)	NP3630C	NP3630SSC	NP3630CG	34.2x28.2 (869x716)
N412363612CSSST	36.00x36.00x12.00 (914x914x305)	NP3636C	NP3636SSC	NP3636CG	34.2x34.2 (869x869)
N412483616CSSST	48.00x36.00x16.00 (1219x914x406)	NP4836C	NP4836SSC	NP4836CG	46.2x34.2 (1173x869)
N412603616CSSST	60.00x36.00x16.00 (1524x914x406)	NP6036C	NP6036SSC	NP6036CG	58.2x34.2 (1478x869)

*Back panels must be ordered separately.



Notes:

1. Enclosures that are 24"x24" or larger receive two 1/4 -turn latches. When H=40" or more a 3-point latch is provided.
2. Two hinges provided when H<36.00". Three hinges provided when H=36.00" or greater. Four hinges provided when H=48.00" or greater.




SSN4 - WF3PT SERIES ENCLOSURES NEMA 4X STAINLESS STEEL WALL-MOUNT




SSN4244208WF3PT

Industry Standards

UL 508A Listed, Type 3R, 4, 4X, & 12
CSA Certified, Type 4, 4X, & 12
NEMA/EEMAC Type 3R, 4, 4X, & 12

 UL Files E64791

 CSA File LL66078

FEATURES-SPECIFICATIONS

Applications

SSN4WF Series are intended for use in housing electrical and electronic controls, instruments, components, and associated wiring. These enclosures incorporate double-hinged double doors which provide convenient access. Designed for outdoor use in protecting components from dust, dirt, oil or water.

Construction

- Bodies and doors are fabricated from 304 stainless steel
- Seams are continuously welded and ground smooth
- Body stiffeners are added in larger enclosures for extra rigidity

- Rolled lip around all sides of the enclosure opening to exclude liquids and contaminants
- Two independent doors with removable center post
- 3-point 316L SS padlocking handles
- Doors are removable by pulling heavy gauge stainless steel continuous hinge pin
- Doors are sealed with a poured in place gasket
- Collar studs are provided for mounting **optional** back panels
- External mounting feet are provided
- Grounding provisions are provided

Finish

- Exterior surfaces of the enclosure have a smooth grained finish
- **Optional** back panels are painted with a white polyester powder
- **Optional** "G" panels are pre-galvanized steel

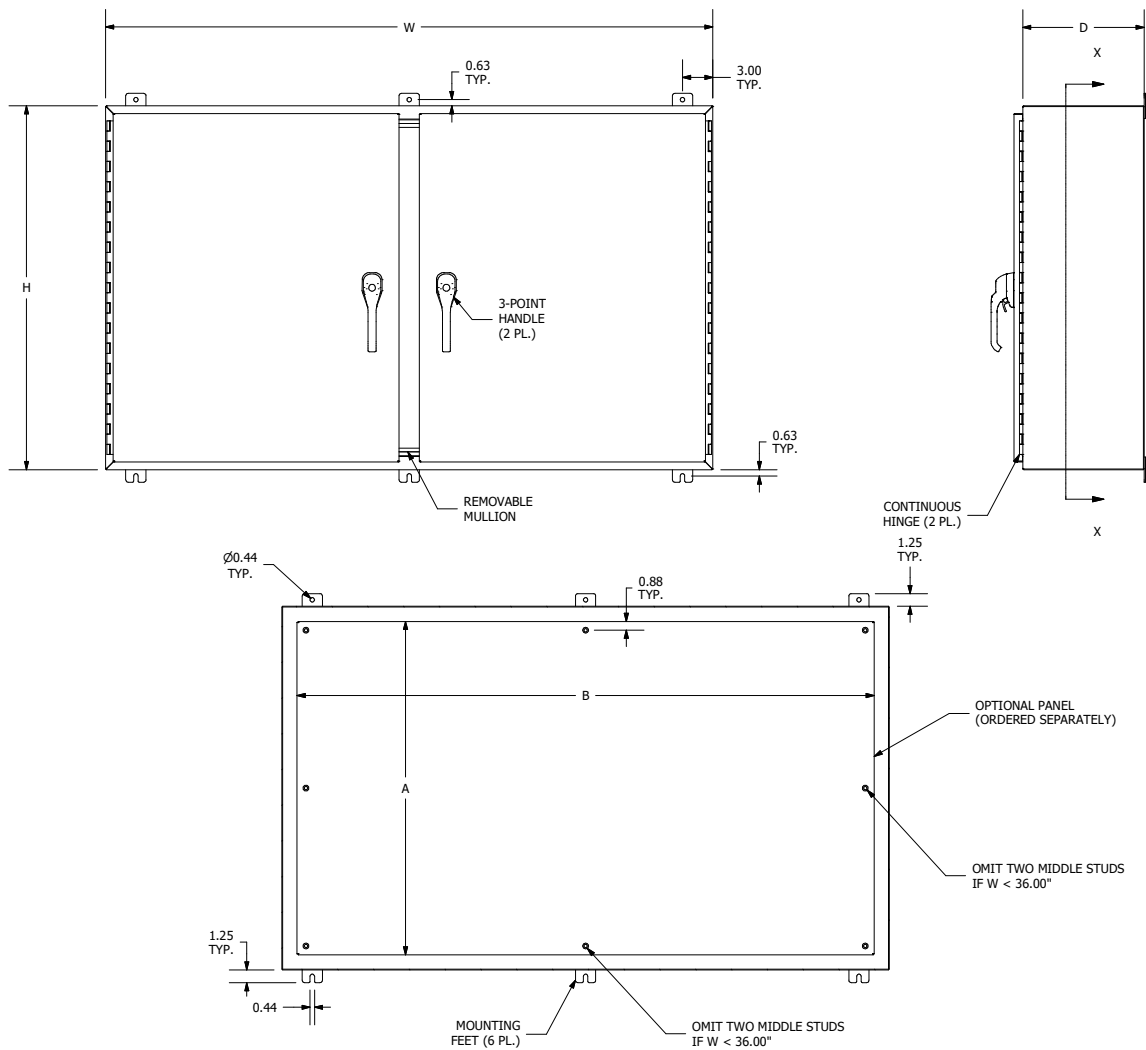
Accessories

- Back panels (reference table)
- See pages L1-L24.

SSN4-WF3PT SERIES NEMA 4X STAINLESS STEEL WALL-MOUNT ENCLOSURES

Catalog Number	Enclosure Size HxWxD	Back Panel Catalog Number*		Back Panel Size AxB	Stiffener Body
		White	"G"		
SSN4244208WF3PT	24.00x42.00x 8.00 (610x1067x203)	NP4224	NP4224G	21.00x39.00 (991x533)	No
SSN4244808WF3PT	24.00x48.00x 8.00 (610x1219x203)	NP4824	NP4824G	21.00x45.00 (533x1143)	No
SSN4304210WF3PT	30.00x42.00x10.00 (762x1067x254)	NP4230	NP4230G	27.00x39.00 (686x991)	No
SSN4304810WF3PT	30.00x48.00x10.00 (762x1219x254)	NP4830	NP4830G	27.00x45.00 (1143x686)	No
SSN4306010WF3PT	30.00x60.00x10.00 (762x1524x254)	NP6030	NP6030G	27.00x57.00 (686x1448)	No
SSN4364212WF3PT	36.00x42.00x12.00 (914x1067x305)	NP4236	NP4236G	33.00x39.00 (838x991)	No
SSN4364812WF3PT	36.00x48.00x12.00 (914x1219x305)	NP4836	NP4836G	33.00x45.00 (838x1143)	No
SSN4366012WF3PT	36.00x60.00x12.00 (914x1524x305)	NP6036	NP6036G	33.00x57.00 (838x1448)	No
SSN4424212WF3PT	42.00x42.00x12.00 (1067x1067x305)	NPDD4242	NPDD4242G	39.00x39.00 (991x991)	Yes
SSN4424812WF3PT	42.00x48.00x12.00 (1067x1219x305)	NPDD4842	NPDD4842G	39.00x45.00 (991x1143)	Yes
SSN4426012WF3PT	42.00x60.00x12.00 (1067x1524x305)	NPDD4260	NPDD4260G	38.00x56.00 (965x1422)	Yes
SSN4484812WF3PT	48.00x48.00x12.00 (1219x1219x305)	NPDD4848	NPDD4848G	44.00x44.00 (1118x1118)	Yes

*Back panels must be ordered separately.



SECTION X-X

SSN4 SERIES ENCLOSURES NEMA 4X SINGLE DOOR WALL-MOUNT



SSN4161206

Industry Standards

UL 508A, Type 3R, 4, 4X, 12 & 13
CSA Certified, Type 4 & 12
NEMA/EEMAC Type 3R, 4, 4X, 12 & 13
IEC 60529, IP66



UL Files E64791, E470978



CSA File LL66078

FEATURES-SPECIFICATIONS

Applications

Provides unmatched protection for housing electrical components in highly corrosive environments. This enclosure is used in indoor and outdoor settings that are frequently wet or have constant exposure to water, contaminants or other liquids.

Construction

- Bodies and doors fabricated from 304 or 316L stainless steel
- Seams are continuously welded and ground smooth
- Door and body stiffeners are added in larger enclosures for extra rigidity

- Rolled lip around three sides of the door and all sides of the enclosure opening to exclude liquids and contaminants
- Quick and easy to operate stainless steel door clamps are provided
- Hasp and staple are provided for padlocking
- Doors are sealed with a poured in place gasket
- Collar studs for mounting **optional** back panels are provided
- External mounting feet are provided
- Grounding provisions are provided

Finish

- Exterior surfaces of the enclosure have a smooth grained finish
- **Optional** back panels are painted with a white polyester powder
- **Optional** "G" panels are pre-galvanized steel
- **Optional** 304SS back panels are made of 304 stainless steel

Accessories

- Back panels (reference table)
- See pages L1-L24

SSN4 SERIES SINGLE DOOR WALL-MOUNT STAINLESS STEEL ENCLOSURES

Catalog Number		Enclosure Size HxWxD	Back Panel Catalog Number*			Back Panel Size AxB
304 SS	316L SS		White	304 SS	"G"	
SSN4161206	SSN4161206A	16.00x12.00x6.00 (406x305x152)	NP1612	NP1612SS	NP1612G	13.00x 9.00 (330x229)
SSN4161606	SSN4161606A	16.00x16.00x6.00 (406x406x152)	NP1616	NP1616SS	NP1616G	13.00x13.00 (330x330)
SSN4162006	SSN4162006A	16.00x20.00x6.00 (406x508x152)	NP2016	NP2016SS	NP2016G	13.00x17.00 (330x432)
SSN4201606	SSN4201606A	20.00x16.00x6.00 (508x406x152)	NP2016	NP2016SS	NP2016G	17.00x13.00 (432x330)
SSN4202006	SSN4202006A	20.00x20.00x6.00 (508x508x152)	NP2020	NP2020SS	NP2020G	17.00x17.00 (432x432)
SSN4242006	SSN4242006A	24.00x20.00x6.00 (610x508x152)	NP2420	NP2420SS	NP2420G	21.00x17.00 (533x432)
SSN424206	SSN4242406A	24.00x24.00x6.00 (610x610x152)	NP2424	NP2424SS	NP2424G	21.00x21.00 (533x533)
SSN4161208	SSN4161208A	16.00x12.00x8.00 (406x305x203)	NP1612	NP1612SS	NP1612G	13.00x 9.00 (330x229)
SSN4201608	SSN4201608A	20.00x16.00x8.00 (508x406x203)	NP2016	NP2016SS	NP2016G	17.00x13.00 (432x330)
—	SSN4202008A	20.00x20.00x8.00 (508x508x203)	NP2020	NP2020SS	NP2020G	17.00x17.00 (432x432)
SSN4202408	SSN4202408A	20.00x24.00x8.00 (508x610x203)	NP2420	NP2420SS	NP2420G	17.00x21.00 (432x533)
SSN4241608	SSN4241608A	24.00x16.00x8.00 (610x406x203)	NP2416	NP2416SS	NP2416G	21.00x13.00 (533x330)
SSN4242008	SSN4242008A	24.00x20.00x8.00 (610x508x203)	NP2420	NP2420SS	NP2420G	21.00x17.00 (533x432)
SSN4242408	SSN4242408A	24.00x24.00x8.00 (610x610x203)	NP2424	NP2424SS	NP2424G	21.00x21.00 (533x533)
SSN4243008	SSN4243008A	24.00x30.00x8.00 (610x762x203)	NP3024	NP3024SS	NP3024G	21.00x27.00 (533x686)
SSN4302008	SSN4302008A	30.00x20.00x8.00 (762x508x203)	NP3020	NP3020SS	NP3020G	27.00x17.00 (686x432)

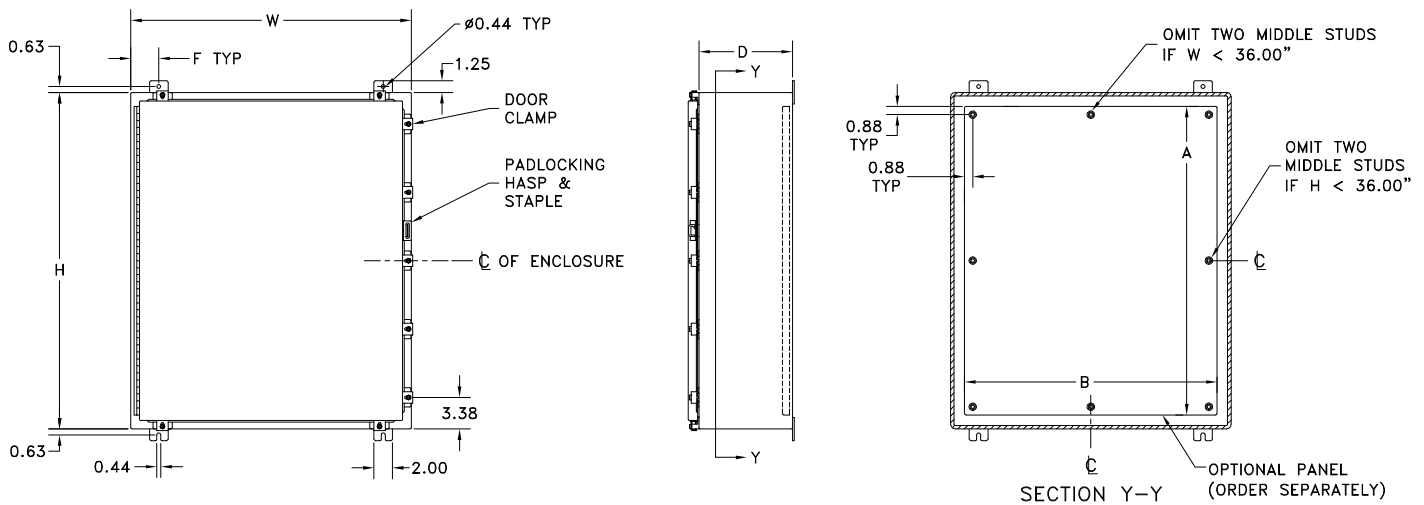
*Back panels must be ordered separately.

continued on page E35

SSN4 SERIES SINGLE DOOR WALL-MOUNT STAINLESS STEEL ENCLOSURES (CONT.)

Catalog Number		Enclosure Size HxWxD	Back Panel Catalog Number*			Back Panel Size AxB
304 SS	316L SS		White	304 SS	"G"	
SSN4302408	SSN4302408A	30.00x24.00x8.00 (762x610x203)	NP3024	NP3024SS	NP3024G	27.00x21.00 (686x533)
SSN4303008	SSN4303008A	30.00x30.00x8.00 (762x762x203)	NP3030	NP3030SS	NP3030G	27.00x27.00 (686x686)
SSN4362408	SSN4362408A	36.00x24.00x8.00 (914x610x203)	NP3624	NP3624SS	NP3624G	33.00x21.00 (838x533)
SSN4363008	SSN4363008A	36.00x30.00x8.00 (914x762x203)	NP3630	NP3630SS	NP3630G	33.00x27.00 (838x686)
SSN4423608	SSN4423608A	42.00x36.00x8.00 (1067x914x203)	NP4236	NP4236SS	NP4236G	39.00x33.00 (991x838)
SSN4483608	SSN4483608A	48.00x36.00x8.00 (1219x914x203)	NP4836	NP4836SS	NP4836G	45.00x33.00 (1143x838)
SSN4201610	SSN4201610A	20.00x16.00x10.00 (508x406x254)	NP2016	NP2016SS	NP2016G	17.00x13.00 (432x330)
SSN4242010	SSN4242010A	24.00x20.00x10.00 (610x508x254)	NP2420	NP2420SS	NP2420G	21.00x17.00 (533x432)
SSN4302410	SSN4302410A	30.00x24.00x10.00 (762x610x254)	NP3024	NP3024SS	NP3024G	27.00x21.00 (686x533)
SSN4362410	SSN4362410A	36.00x24.00x10.00 (914x610x254)	NP3624	NP3624SS	NP3624G	33.00x21.00 (838x533)
SSN4363010	SSN4363010A	36.00x30.00x10.00 (914x762x254)	NP3630	NP3630SS	NP3630G	33.00x27.00 (838x686)
SSN4423010	SSN4423010A	42.00x30.00x10.00 (1067x762x254)	NP4230	NP4230SS	NP4230G	39.00x27.00 (991x686)
SSN4483610	SSN4483610A	48.00x36.00x10.00 (1219x914x254)	NP4836	NP4836SS	NP4836G	45.00x33.00 (1143x838)
SSN4242412	SSN4242412A	24.00x24.00x12.00 (610x610x305)	NP2424	NP2424SS	NP2424G	21.00x21.00 (533x533)
SSN4302412	SSN4302412A	30.00x24.00x12.00 (762x610x305)	NP3024	NP3024SS	NP3024G	27.00x21.00 (686x533)
SSN4363012	SSN4363012A	36.00x30.00x12.00 (914x762x305)	NP3630	NP3630SS	NP3630G	33.00x27.00 (838x686)
SSN4363612	SSN4363612A	36.00x36.00x12.00 (914x914x305)	NP3636	NP3636SS	NP3636G	33.00x33.00 (838x838)
SSN4483612	SSN4483612A	48.00x36.00x12.00 (1219x914x305)	NP4836	NP4836SS	NP4836G	45.00x33.00 (1143x838)
SSN4603612	SSN4603612A	60.00x36.00x12.00 (1524x914x305)	NP6036	NP6036SS	NP6036G	57.00x33.00 (1448x838)
SSN4302416	SSN4302416A	30.00x24.00x16.00 (762x610x406)	NP3024	NP3024SS	NP3024G	27.00x21.00 (686x533)
SSN4363016	SSN4363016A	36.00x30.00x16.00 (914x762x406)	NP3630	NP3630SS	NP3630G	33.00x27.00 (838x686)
SSN4483616	SSN4483616A	48.00x36.00x16.00 (1219x914x406)	NP4836	NP4836SS	NP4836G	45.00x33.00 (1143x838)
SSN4603616	SSN4603616A	60.00x36.00x16.00 (1524x914x406)	NP6036	NP6036SS	NP6036G	57.00x33.00 (1448x838)

*Back panels must be ordered separately



NOTES:

1. Panels have flanges along all sides when either dimension exceeds 17".
2. The number of door clamps is dependent on size of enclosure. Clamps are furnished along three sides of door.
3. F = 3" when W is 16" or greater and 1-1/4" when W is 12" or less.

ALN4 SERIES ENCLOSURES NEMA 4X SINGLE DOOR WALL-MOUNT



ALN4161206

Industry Standards

UL 508A, Type 3R 4, 4X, 12 & 13
CSA Certified, Type 4, 4X & 12
NEMA/EEMAC Type 4, 12 & 13
IEC 60529, IP66

 UL File E64791, E470978

 CSA File LL66078

FEATURES-SPECIFICATIONS

Applications

This lightweight enclosure provides long-lasting protection for housing electrical components in highly corrosive environments. It is used in both indoor and outdoor settings that are frequently wet or have constant exposure to water, contaminants or other liquids.

Construction

- Bodies and doors are fabricated from aluminum
- Seams are continuously welded and ground smooth

- Rolled lip on three sides of the door and all sides of the enclosure opening to exclude liquids and contaminants
- Quick and easy to operate stainless steel door clamps are provided
- Door is removable by pulling continuous hinge pin
- Hasp and staple are provided for padlocking
- Doors are sealed with a poured in place gasket
- Collar studs for mounting **optional** back panels are provided
- External mounting feet are provided

- Grounding provisions are provided

Finish

- Exterior surfaces of the enclosure have a smooth grained finish
- **Optional** back panels are unpainted aluminum
- **Optional** back panels are painted with a white polyester powder

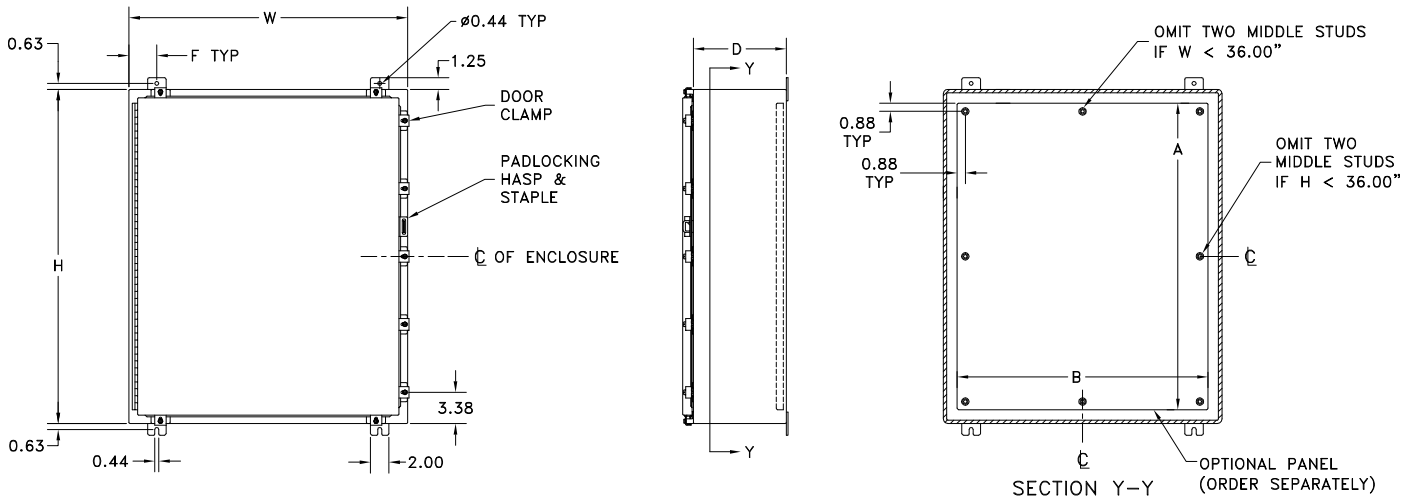
Accessories

- Back panels (reference table)
- See pages L1-L24

ALN4 SERIES SINGLE DOOR ALUMINUM ENCLOSURES

Catalog Number	Enclosure Size HxWxD	Back Panel Catalog Number*		Back Panel Size AxB	F
		White	Alum.		
ALN4161206	16.00x12.00x6.00 (406x305x152)	NP1612	ALNP1612	13.00x 9.00 (330x229)	1.25 (32)
ALN4201606	20.00x16.00x6.00 (508x406x152)	NP2016	ALNP2016	17.00x13.00 (432x330)	3.00 (76)
ALN4202006	20.00x20.00x6.00 (508x508x152)	NP2020	ALNP2020	17.00x17.00 (432x432)	3.00 (76)
ALN4242006	24.00x20.00x6.00 (610x508x152)	NP2420	ALNP2420	21.00x17.00 (533x432)	3.00 (76)
ALN4161608	16.00x16.00x8.00 (406x406x203)	NP1616	ALNP1616	13.00x13.00 (330x330)	3.00 (76)
ALN4242408	24.00x24.00x8.00 (610x610x203)	NP2424	ALNP2424	21.00x21.00 (533x533)	3.00 (76)
ALN4302408	30.00x24.00x8.00 (762x610x203)	NP3024	ALNP3024	27.00x21.00 (686x533)	3.00 (76)
ALN4362408	36.00x24.00x8.00 (914x610x203)	NP3624	ALNP3624	33.00x21.00 (838x533)	3.00 (76)
ALN4363008	36.00x30.00x8.00 (914x762x203)	NP3630	ALNP3630	33.00x27.00 (838x686)	3.00 (76)
ALN4483608	48.00x36.00x8.00 (1219x914x203)	NP4836	ALNP4836	45.00x33.00 (1143x838)	3.00 (76)
ALN4201610	20.00x16.00x10.00 (508x406x254)	NP2016	ALNP2016	17.00x13.00 (432x330)	3.00 (76)
ALN4242010	24.00x20.00x10.00 (610x508x254)	NP2420	ALNP2420	21.00x17.00 (533x432)	3.00 (76)
ALN4242410	24.00x24.00x10.00 (610x610x254)	NP2424	ALNP2424	21.00x21.00 (533x533)	3.00 (76)
ALN4302412	30.00x24.00x12.00 (762x610x305)	NP3024	ALNP3024	27.00x21.00 (686x533)	3.00 (76)
ALN4363012	36.00x30.00x12.00 (914x762x305)	NP3630	ALNP3630	33.00x27.00 (838x686)	3.00 (76)
ALN4603612	60.00x36.00x12.00 (1524x914x305)	NP6036	ALNP6036	57.00x33.00 (1448x838)	3.00 (76)

*Back panels must be ordered separately.



NOTES:

1. Panels have flanges along all sides when either dimension exceeds 17".
2. The number of door clamps is dependent on size of enclosure. Clamps are furnished along three sides of door.
3. F = 3" when W is 16" or greater and 1-1/4" when W is 12" or less.

SSN4 - 3PT SERIES ENCLOSURES NEMA 4X 304 & 316L SS SINGLE DOOR WALL-MOUNT



SSN42420063PT

Industry Standards

UL 508A, Type 3R, 4, 4X, 12
CSA Certified, Type 4, 4X & 12
NEMA/EEMAC Type 3R, 4, 12



UL File E64791



CSA File LL66078

FEATURES-SPECIFICATIONS

Applications

Provides unmatched protection for housing electrical components in highly corrosive environments. This enclosure is used in indoor and outdoor settings that are frequently wet or have constant exposure to water, contaminants or other liquids.

Construction

- Bodies and doors are fabricated from 304 or 316L stainless steel
- Seams are continuously welded and ground smooth
- Rolled lip around three sides of the door and all sides of the enclosure opening to exclude liquids and contaminants

- Doors are sealed with a poured in place gasket
- Collar studs for mounting **Optional** back panels are provided
- 3-point 316L SS padlocking handle
- External mounting feet are provided
- Grounding provisions are provided

Finish

- Exterior surfaces of the enclosure have a smooth grained finish
- **Optional** back panels are painted with a white polyester powder
- **Optional** "G" panels are pre-galvanized steel
- **Optional** 304SS back panels are made of 304 stainless steel

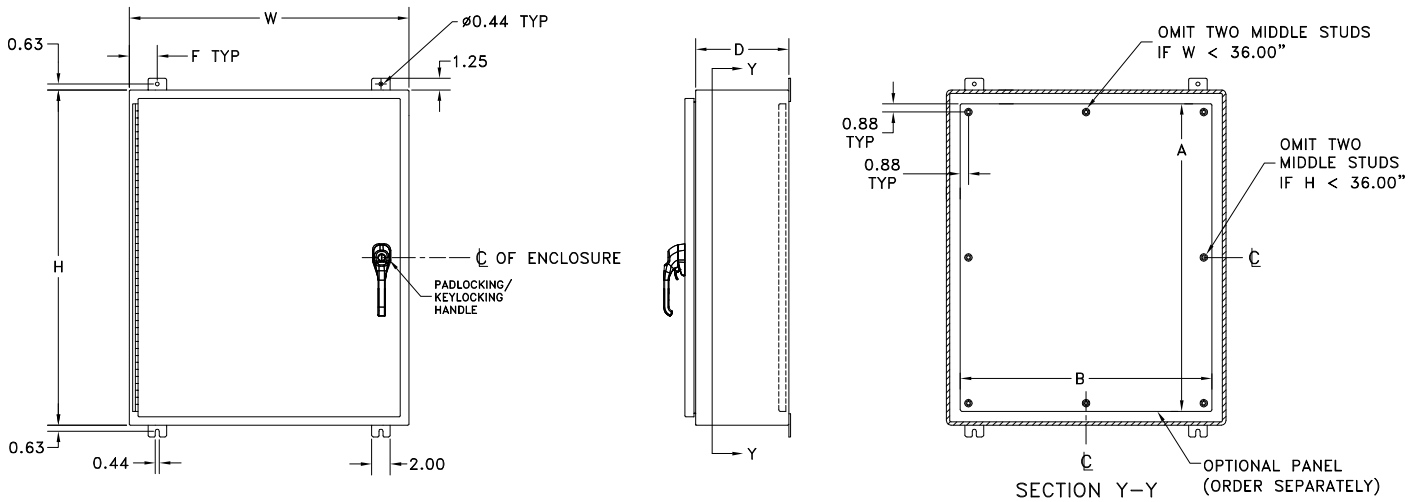
Accessories

- Back panels (reference table)
- See pages L1-L24

SSN4-3PT SERIES SINGLE DOOR STAINLESS STEEL ENCLOSURES

Catalog Number		Enclosure Size HxWxD	Back Panel Catalog Number*			Back Panel Size AxB
304 SS	316L SS		White	304 SS	"G"	
SSN42420063PT	—	24.00x20.00x 6.00 (610x508x152)	NP2420	NP2420SS	NP2420G	21.00x17.00 (533x432)
SSN42420083PT	SSN42420083PTA	24.00x20.00x 8.00 (610x508x203)	NP2420	NP2420SS	NP2420G	21.00x17.00 (533x432)
SSN42420103PT	SSN42420103PTA	24.00x20.00x10.00 (610x610x254)	NP2420	NP2420SS	NP2420G	21.00x17.00 (533x432)
SSN42424083PT	SSN42424083PTA	24.00x24.00x 8.00 (610x610x203)	NP2424	NP2424SS	NP2424G	21.00x21.00 (533x533)
SSN42424123PT	SSN42424123PTA	24.00x24.00x12.00 (610x610x305)	NP2424	NP2424SS	NP2424G	21.00x21.00 (533x533)
SSN43024083PT	SSN43024083PTA	30.00x24.00x 8.00 (762x610x203)	NP3024	NP3024SS	NP3024G	27.00x21.00 (686x533)
SSN43024123PT	SSN43024123PTA	30.00x24.00x12.00 (762x610x305)	NP3024	NP3024SS	NP3024G	27.00x21.00 (686x533)
SSN43030083PT	SSN43030083PTA	30.00x30.00x 8.00 (762x762x203)	NP3030	NP3030SS	NP3030G	27.00x27.00 (686x686)
SSN43624083PT	SSN43624083PTA	36.00x24.00x 8.00 (914x610x203)	NP3624	NP3624SS	NP3624G	33.00x21.00 (838x533)
SSN43630083PT	SSN43630083PTA	36.00x30.00x 8.00 (914x762x203)	NP3630	NP3630SS	NP3630G	33.00x27.00 (838x686)
SSN43630103PT	SSN43630103PTA	36.00x30.00x10.00 (914x762x254)	NP3630	NP3630SS	NP3630G	33.00x27.00 (838x686)
SSN43630123PT	SSN43630123PTA	36.00x30.00x12.00 (914x762x305)	NP3630	NP3630SS	NP3630G	33.00x27.00 (838x686)
SSN43636123PT	SSN43636123PTA	36.00x36.00x12.00 (914x914x305)	NP3636	NP3636SS	NP3636G	33.00x33.00 (838x838)

*Back panels must be ordered separately.



NOTES:

1. Panels have flanges along all sides when either dimension exceeds 17".
2. F = 3" when W is 16" or greater and 1-1/4" when W is 12" or less.

SSN4-3PTW SERIES ENCLOSURES (PAINTED WHITE) NEMA 4X SINGLE DOOR WALL-MOUNT



SSN43024083PTW

Industry Standards

UL 508A, Type 3R, 4, 4X, 12
CSA Certified, Type 4, 4X & 12
NEMA/EEMAC Type 3R, 4, 12

 UL File E64791

 CSA File LL66078

FEATURES-SPECIFICATIONS

Applications

SSN43PTW Series provides unmatched protection for housing electrical components in highly corrosive environments. This enclosure is used in indoor and outdoor settings that are frequently wet or have constant exposure to water, contaminants or other liquids

Construction

- Bodies and doors are fabricated from 304 stainless steel.
- Seams are continuously welded and ground smooth

- Rolled lip around three sides of the door and all sides of the enclosure opening to exclude liquids and contaminants
- Quick and easy to operate 3-point padlocking handle
- Door is removable by pulling stainless steel continuous hinge pin
- Doors are sealed with a poured in place gasket
- Collar studs for mounting **optional** back panels are provided
- External mounting feet are provided
- Grounding provisions are provided

Finish

- White polyester powder inside and out
- **Optional** back panels are painted with a white polyester powder
- **Optional** "G" panels are pre-galvanized steel
- **Optional** 304SS back panels are made of 304 stainless steel

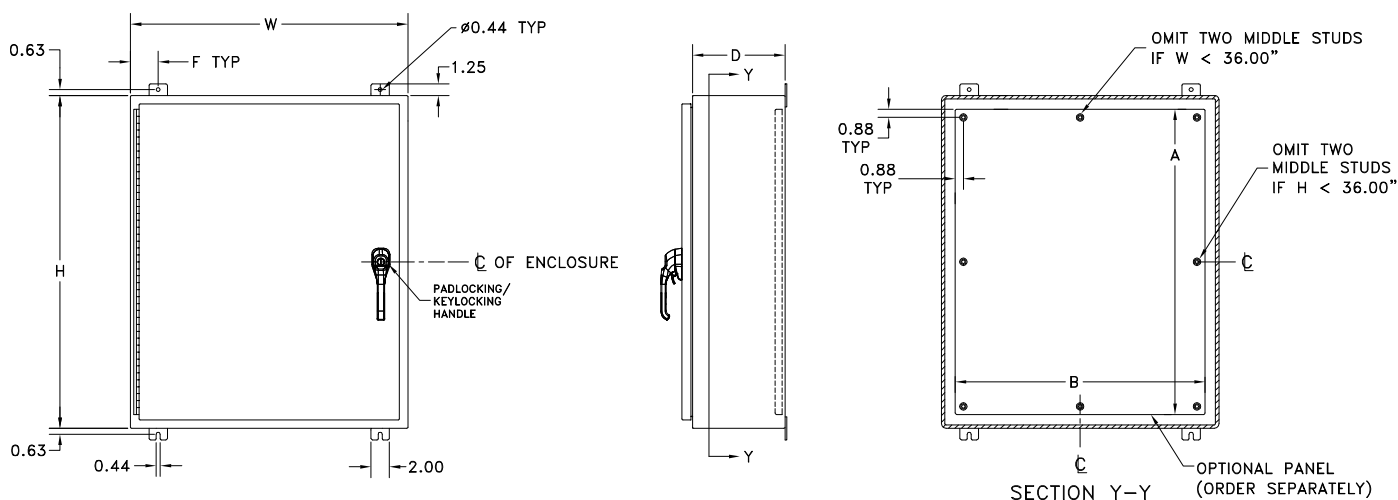
Accessories

- Back panels (reference table)
- See pages L1-L24

SSN4-3PTW SERIES WHITE SINGLE DOOR N4X ENCLOSURES

Catalog Number	Enclosure Size HxWxD	Back Panel Catalog Number*			Back Panel Size AxB
		White	304 SS	"G"	
SSN42424083PTW	24.00x24.00x8.00 (610x610x203)	NP2424	NP2424SS	NP2424G	21.00x21.00 (533x533)
SSN42424123PTW	24.00x24.00x12.00 (610x610x305)	NP2424	NP2424SS	NP2424G	21.00x21.00 (533x533)
SSN43024083PTW	30.00x24.00x8.00 (762x610x203)	NP3024	NP3024SS	NP3024G	27.00x21.00 (686x533)
SSN43630123PTW	36.00x30.00x12.00 (914x762x305)	NP3630	NP3630SS	NP3630G	33.00x27.00 (838x686)
SSN43636123PTW	36.00x36.00x12.00 (914x914x305)	NP3636	NP3636SS	NP3636G	33.00x33.00 (838x838)
SSN44236123PTW	42.00x36.00x12.00 (1067x914x305)	NP4236	NP4236SS	NP4236G	33.00x33.00 (838x838)
SSN44836123PTW	48.00x36.00x12.00 (1219x914x305)	NP4836	NP4836SS	NP4836G	39.00x33.00 (991x838)
SSN44836163PTW	48.00x36.00x16.00 (1219x914x406)	NP4836	NP4836SS	NP4836G	39.00x33.00 (991x838)
SSN46036123PTW	60.00x36.00x12.00 (1524x914x305)	NP6036	NP6036SS	NP6036G	57.00x33.00 (1448x838)

*Back panels must be ordered separately.



NOTES:

1. Panels have flanges along all sides when either dimension exceeds 17".
2. F = 3" when W is 16" or greater and 1-1/4" when W is 12" or less.

SSN4D SERIES ENCLOSURES NEMA 4X TWO DOOR FLOOR-MOUNT



SSN4D624812

Industry Standards

UL 508A, Type 3R, 4, 4X & 12 & 13

CSA Certified, Type 4, 4X & 12

NEMA/EEMAC Type 3R, 4, 4X, 12 & 13

 UL File E64791,

 CSA File LL66078

FEATURES-SPECIFICATIONS

Applications

This two door enclosure provides industry leading protection for systems incorporating large components or complex mounting configurations in highly corrosive environments. It is typically used in the following areas: food processing plants, pharmaceutical manufacturing facilities, petrochemical plants, pulp and paper processing, and waste water treatment facilities.

Construction

- Bodies and doors are fabricated from 304 stainless steel
- Seams are continuously welded and ground smooth
- Body stiffeners are added for extra rigidity

- Rolled lip around three sides of the door and along the top of the enclosure opening to exclude liquids and contaminants
- Quick and easy to operate stainless steel door clamps around three sides of the doors are provided
- Heavy gauge stainless steel continuous hinges are provided
- Doors are removable by pulling stainless steel continuous hinge pin
- Hasp and staple are provided for padlocking
- Standard 12" high floor kits are welded to the bottom of the enclosure
- Heavy-duty removable lifting eyes
- Collar studs for mounting **optional** back panels are provided

- Removable center post permits easy panel installations
- Doors are sealed with a poured in place gasket
- Grounding provisions are provided

Finish

- Exterior surfaces of the enclosure have a smooth grained surface
- **Optional** back panels are painted with a white polyester powder
- **Optional** "G" panels are pre-galvanized steel

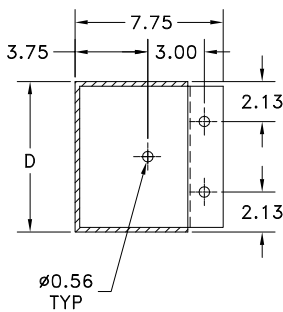
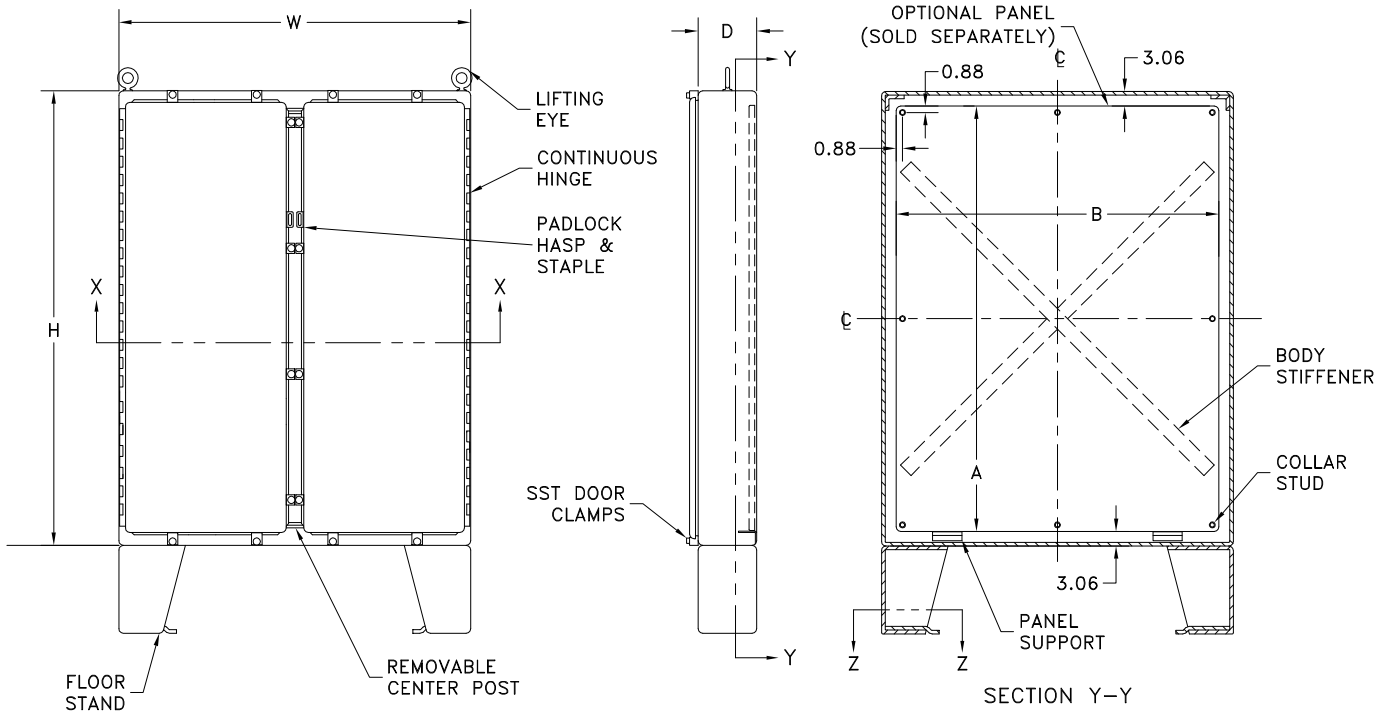
Accessories

- Back panels (reference table)
- See pages L1-L24

SSN4D SERIES TWO DOOR STAINLESS STEEL ENCLOSURES

Catalog Number	Enclosure Size HxWxD	Back Panel Catalog Number*		Back Panel Size AxB
		White	"G"	
SSN4D624812	62.12x48.12x12.12 (1578x1222x308)	NPDD6048	NPDD6048G	56.00x44.00 (1422x1118)
SSN4D626012	62.12x60.12x12.12 (1578x1527x308)	NPDD6060	NPDD6060G	56.00x56.00 (1422x1422)
SSN4D746012	74.12x60.12x12.12 (1883x1527x308)	NPDD7260	NPDD7260G	68.00x56.00 (1727x1422)
SSN4D747212	74.12x72.12x12.12 (1883x1832x308)	NPDD7272	NPDD7272G	68.00x68.00 (1727x1727)
SSN4D747224	74.12x72.12x24.12 (1883x1832x613)	NPDD7272	NPDD7272G	68.00x68.00 (1727x1727)

*Back panels must be ordered separately.



SECTION Z-Z


Industry Standards

UL 508A, Type 4, 4X & 12
CSA Certified, Type 4, 4X & 12
NEMA/EEMAC Type 4, 4X & 12

 UL File E64791

 CSA File LL66078

FEATURES-SPECIFICATIONS
Applications

Designed to house electronic controls, terminals, and instruments in areas that are regularly hosed down or are otherwise very wet. Also suitable for outdoor applications.

Construction

- Bodies and doors are fabricated from 304 or 316L stainless steel
- Seams are continuously welded and ground smooth
- Mounting channels are welded horizontally to interior body. **Optional** swing panels and rack angles can be mounted anywhere along the mounting channel

- Rolled lip around three sides of the door and along the top of the enclosure opening to exclude liquids and contaminants
- Quick and easy to operate stainless steel door clamps around three sides of the door
- Heavy gauge continuous hinge with stainless steel hinge pin
- Door is removable by pulling stainless steel continuous hinge pin
- Hasp and staple are provided for padlocking
- Heavy-duty removable lifting eyes
- Doors are sealed with a poured in place gasket
- Grounding provisions are provided

Finish

- Exterior surfaces of the enclosure have a smooth grained finish
- **Optional** back panels are painted with a white polyester powder

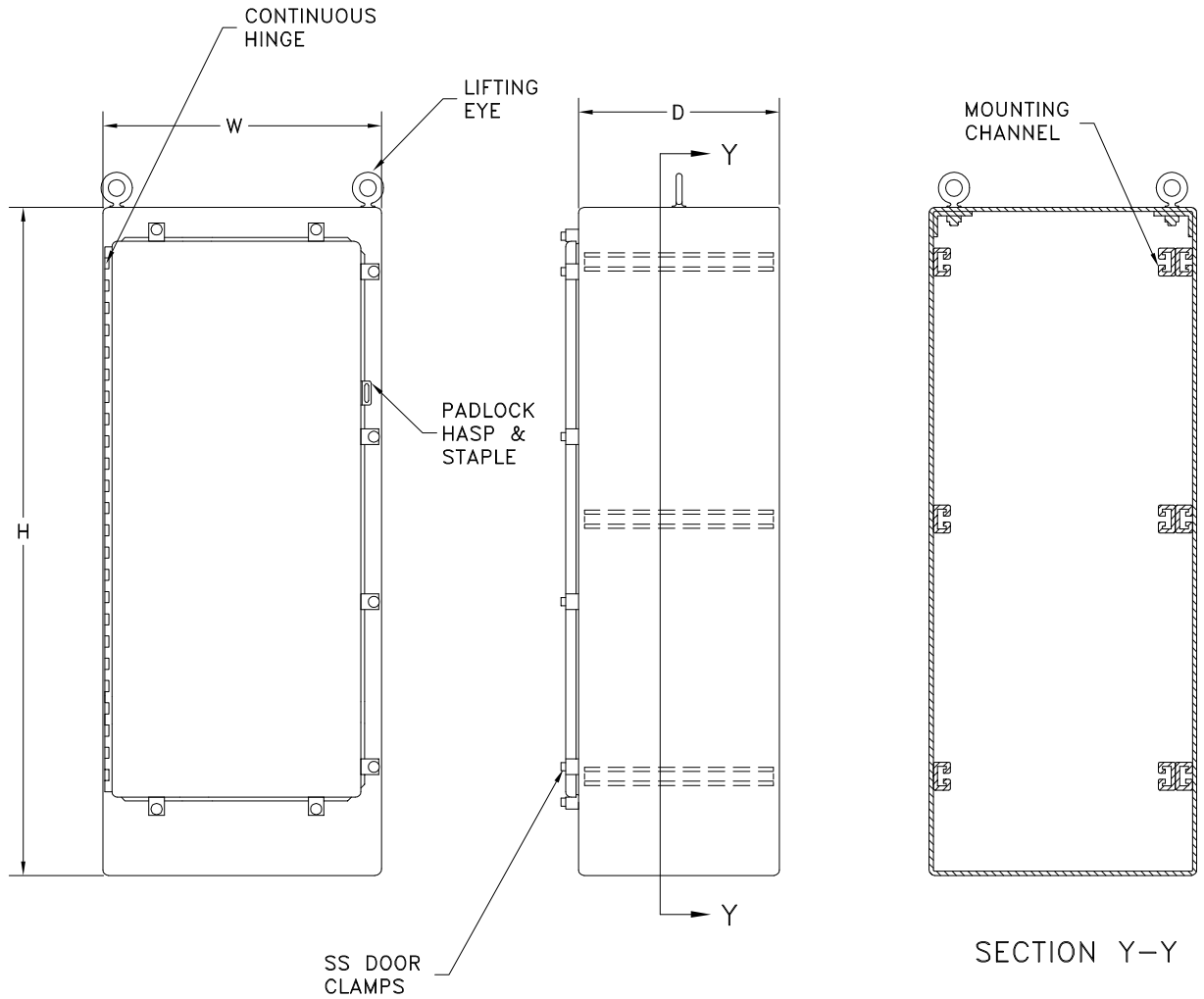
Accessories

- Back panels (reference table)
- See pages L1-L24

N4S-FSSS SERIES SINGLE DOOR ENCLOSURES

Catalog Number		Enclosure Size HxWxD	Back Panel Catalog Number*	Back Panel Size
304 SS	316L SS			
N4S722518FSSS	N4S722518FSSSA	72.12x25.12x18.12 (1832x638x460)	WA72P24F1	60.00x20.00 (1524x508)
N4S723124FSSS	N4S723124FSSSA	72.12x31.12x24.12 (1832x790x613)	WA72P30F1	60.00x26.00 (1524x660)
N4S723724FSSS	N4S723724FSSSA	72.12x37.12x24.12 (1832x943x613)	WA72P36F1	60.00x32.00 (1524x812)

*Back panels must be ordered separately.



SSN4D - 3PT SERIES ENCLOSURES NEMA 4X 304/316L STAINLESS STEEL TWO DOOR FLOOR-MOUNT




SSN4D6248123PTA

Industry Standards

UL 508A, Type 3R, 4, 4X, 12

CSA Certified, Type 4, 4X & 12

NEMA/EEMAC Type 3R, 4, 4X, 12

 UL Files E64791

 CSA File LL66078

FEATURES-SPECIFICATIONS

Applications

Designed to house electrical and electronic controls, components and instruments in wet corrosive environments. Typical applications for these enclosures include, breweries, waste water, food processing and /or activities that may require hose down. Enclosures are designed for outdoor applications.

Construction

- Bodies, doors and floor stand feet are fabricated from 304 or 316L stainless steel
- Seams are continuously welded and ground smooth
- Body stiffeners added for extra rigidity
- Rolled lip along the top of the enclosure opening to exclude liquids and contaminants

- 3-point 316L SS padlocking handles
- Heavy gauge continuous hinges are provided to secure doors
- Doors are removable by pulling stainless steel continuous hinge pin
- Standard 12" high floor kits are welded to the bottom of the enclosure
- Heavy-duty removable lifting eyes
- Collar studs for mounting **optional** back panels are provided
- Removable center post permits easy panel installations
- Doors are sealed with a poured in place gasket
- Grounding provisions are provided

Finish

- Exterior surfaces of the enclosure have a smooth grained finish
- **Optional** back panels are painted with a white polyester powder
- **Optional** "G" panels are pre-galvanized steel

Accessories

- Back panels (reference table)
- See pages L1-L24

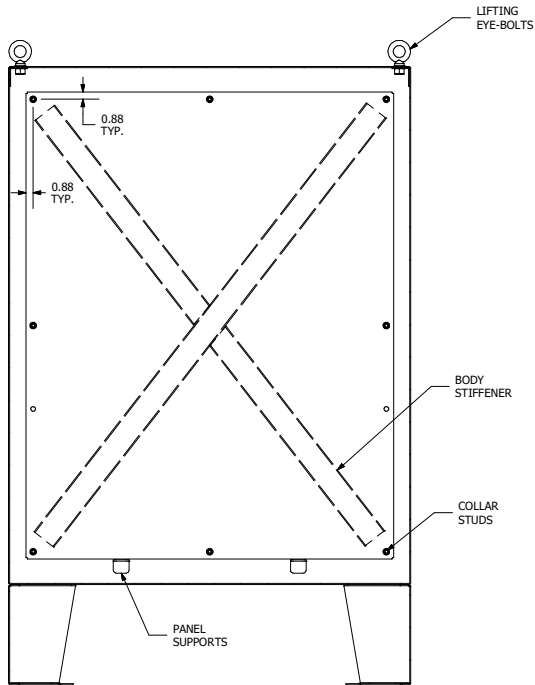
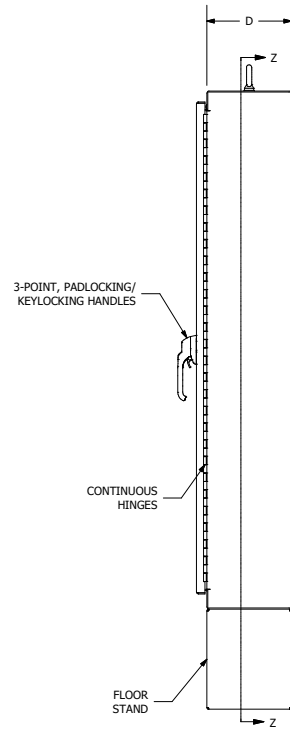
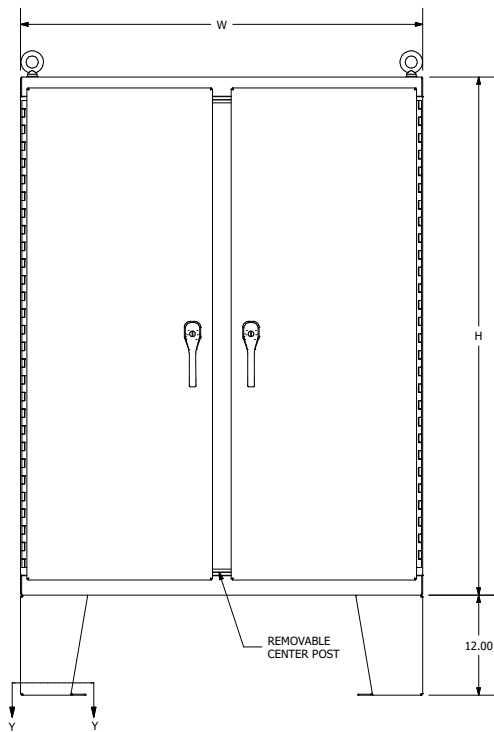
SSN4D-3PT SERIES TWO DOOR STAINLESS STEEL ENCLOSURES

Catalog Number		Enclosure Size HxWxD	Back Panel Catalog Number*		Back Panel Size AxB
304 SS	316L SS		White	"G"	
SSN4D6248123PT	SSN4D6248123PTA	62.06x48.06x12.06 (1576x1221x306)	NPDD6048	NPDD6048G	56.00x44.00 (1422x1118)
SSN4D6248183PT	SSN4D6248183PTA	62.06x48.06x18.06 (1576x1221x459)	NPDD6048	NPDD6048G	56.00x44.00 (1422x1118)
SSN4D6260123PT	SSN4D6260123PTA	62.06x60.06x12.06 (1576x1526x306)	NPDD6060	NPDD6060G	56.00x56.00 (1422x1422)
SSN4D7460123PT	SSN4D7460123PTA	74.06x60.06x12.06 (1881x1526x306)	NPDD7260	NPDD7260G	68.00x56.00 (1727x1422)
SSN4D7472123PT	SSN4D7472123PTA	74.06x72.06x12.06 (1881x1830x306)	NPDD7272	NPDD7272G	68.00x68.00 (1727x1727)
SSN4D7472243PT	SSN4D7472243PTA	74.06x72.06x24.06 (1881x1830x611)	NPDD7272	NPDD7272G	68.00x68.00 (1727x1727)

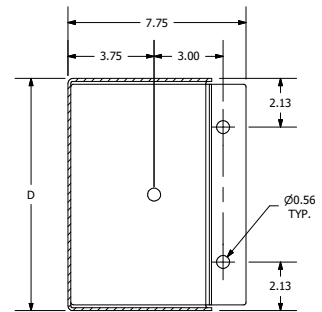
*Back panels must be ordered separately.

SSN4D - 3PT SERIES ENCLOSURES
NEMA 4X 304/316L STAINLESS STEEL TWO DOOR FLOOR-MOUNT

E47



SECTION Z-Z



SECTION Y-Y

WA - SSFSN43PT SERIES ENCLOSURES NEMA 4X 304 STAINLESS STEEL FREESTANDING SINGLE DOOR



WA602418SSFSN43PT

Industry Standards

UL 508A, Type 4, 4X & 12
CSA Certified, Type 4, 4X & 12
NEMA/EEMAC Type 4, 4X & 12



UL File E64791



CSA File LL66078

FEATURES-SPECIFICATIONS

Applications

Designed to house electrical and electronic controls, terminals, and instruments in areas that are regularly hosed down or are otherwise very wet. Enclosures are also suitable for outdoor applications.

Construction

- Bodies and doors are fabricated from 304 stainless steel
- Seams are continuously welded and ground smooth
- Mounting channels are welded horizontally to interior body.

Optional swing panels and rack angles can be mounted anywhere along the mounting channel

- Rolled lip along the top of the enclosure opening to exclude liquids and contaminants
- 3-point 316L SS padlocking handle
- Heavy gauge continuous hinge
- Doors are removable by pulling stainless steel continuous hinge pin
- Heavy-duty removable lifting eyes
- Doors are sealed with a poured in place gasket
- Grounding provisions are provided

Finish

- Exterior surfaces of the enclosure have a smooth grained finish
- **Optional** back panels are painted with a white polyester powder
- **Optional** "G" panels are pre-galvanized steel

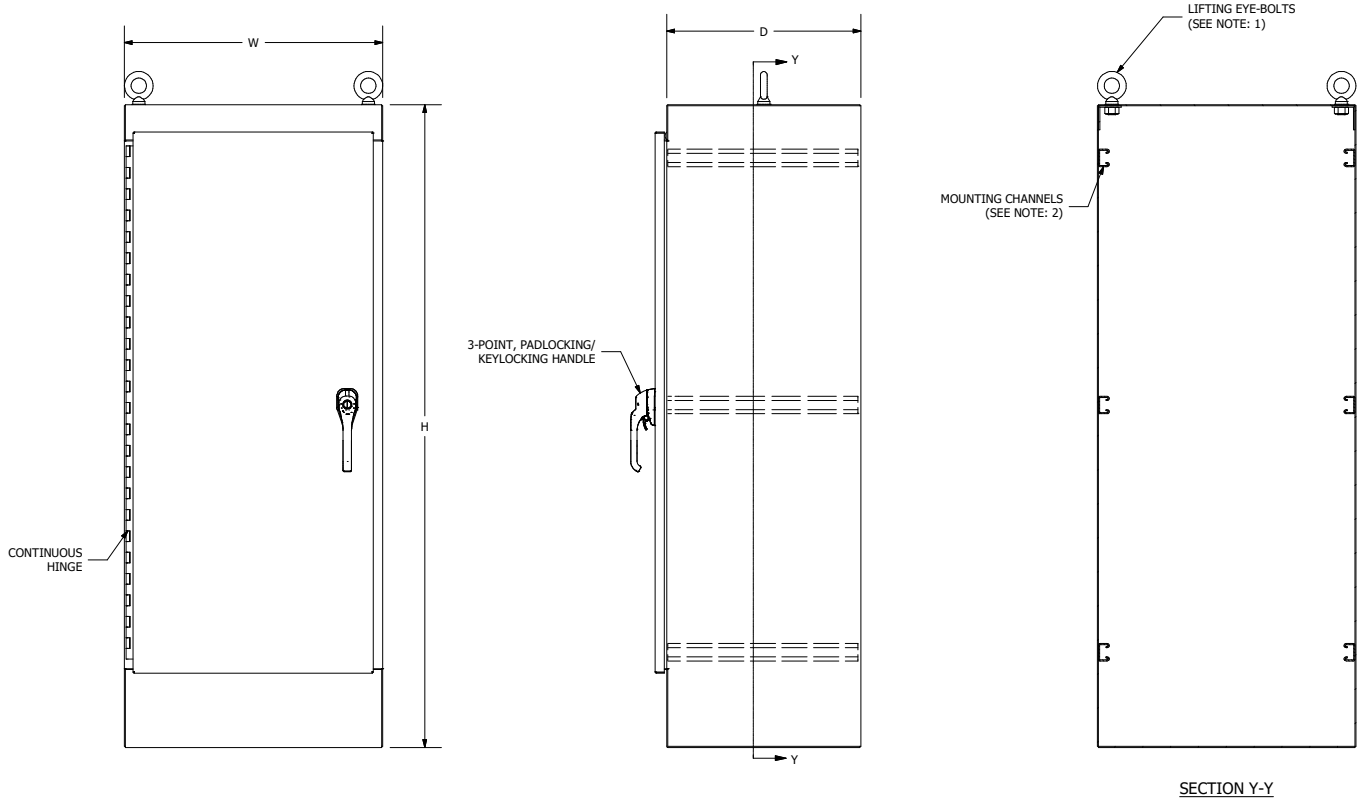
Accessories

- Back panels (reference table)
- See pages L1-L24

WA-SSFSN43PT SERIES SINGLE DOOR STAINLESS STEEL ENCLOSURES

Catalog Number	Enclosure Size HxWxD	Back Panel Catalog Number*		Back Panel Size AxB
		White	"G"	
WA602418SSFSN43PT	60.12x24.12x18.12 (1526x611x459)	WA60P24F1	WA60P24F1G	48.00X20.00 (1219x508)
WA603624SSFSN43PT	60.06x36.06x24.06 (1526x916x611)	WA60P36F1	WA60P36F1G	48.00X32.00 (1219x813)
WA722418SSFSN43PT	72.06x24.06x18.06 (1830x611x459)	WA72P24F1	WA72P24F1G	60.00X20.00 (1524x508)
WA722424SSFSN43PT	72.06x24.06x24.06 (1830x611x611)	WA72P24F1	WA72P24F1G	60.00X20.00 (1524x508)
WA723018SSFSN43PT	72.06x30.06x18.06 (1830x764x459)	WA72P30F1	WA72P30F1G	60.00X26.00 (1524x660)
WA723024SSFSN43PT	72.06x30.06x24.06 (1830x764x611)	WA72P30F1	WA72P30F1G	60.00X26.00 (1524x660)
WA723618SSFSN43PT	72.06x36.06x18.06 (1830x916x459)	WA72P36F1	WA72P36F1G	60.00X32.00 (1524x813)
WA723624SSFSN43PT	72.06x36.06x24.06 (1830x916x611)	WA72P36F1	WA72P36F1G	60.00X32.00 (1524x813)
WA723630SSFSN43PT	72.06x36.06x30.06 (1830x916x764)	WA72P36F1	WA72P36F1G	60.00X32.00 (1524x813)
WA723636SSFSN43PT	72.06x36.06x36.06 (1830x916x916)	WA72P36F1	WA72P36F1G	60.00X32.00 (1524x813)
WA902420SSFSN43PT	90.06x24.06x20.06 (2288x611x510)	WA90P24F1	WA90P24F1G	78.00x20.00 (1981x508)
WA903620SSFSN43PT	90.06x36.06x20.06 (2288x916x510)	WA90P36F1	WA90P36F1G	78.00x32.00 (1981x813)
WA903624SSFSN43PT	90.06x36.06x24.06 (2288x916x611)	WA90P36F1	WA90P36F1G	78.00x32.00 (1981x813)
WA903636SSFSN43PT	90.06x36.06x36.06 (2288x916x916)	WA90P36F1	WA90P36F1G	78.00x32.00 (1981x813)

*Back panels must be ordered separately.



NOTES:
1. FOUR LIFTING EYE-BOLTS ARE SUPPLIED WHEN "D" IS 30.00" OR GREATER.
2. OPTIONAL PANEL(S) CAN BE MOUNTED ANYWHERE ALONG MOUNTING CHANNELS.


WA - SSFSDN43PT SERIES ENCLOSURES NEMA 4X 304 STAINLESS STEEL FREESTANDING TWO DOOR



WA604818SSFSDN43PT

Industry Standards

UL 508A, Type 4, 4X, 12
CSA Certified, Type 4, 4X, 12
NEMA/EEMAC Type 4, 4X, 12

 UL File E64791

 CSA File LL66078

FEATURES-SPECIFICATIONS

Applications

Designed to house electrical and electronic controls, terminals, and instruments in areas that are regularly hosed down or are otherwise very wet. Enclosures are also suitable for outdoor applications.

Construction

- Body and doors are fabricated from 304 stainless steel
- Seams are continuously welded and ground smooth
- Mounting channels are welded horizontally to interior body. **Optional** swing panels and rack angles can

be mounted anywhere along the mounting channel

- Rolled lip along the top of the enclosure opening to exclude liquids and contaminants
- 3-point 316L SS padlocking handles
- Heavy gauge continuous hinge
- Doors are removable by pulling stainless steel continuous hinge pin
- Heavy-duty removable lifting eyes
- Doors are sealed with a poured in place gasket
- Grounding provisions are provided

Finish

- Exterior surfaces of the enclosure have a smooth grained finish
- **Optional** back panels are painted with a white polyester powder
- **Optional** "G" panels are pre-galvanized steel

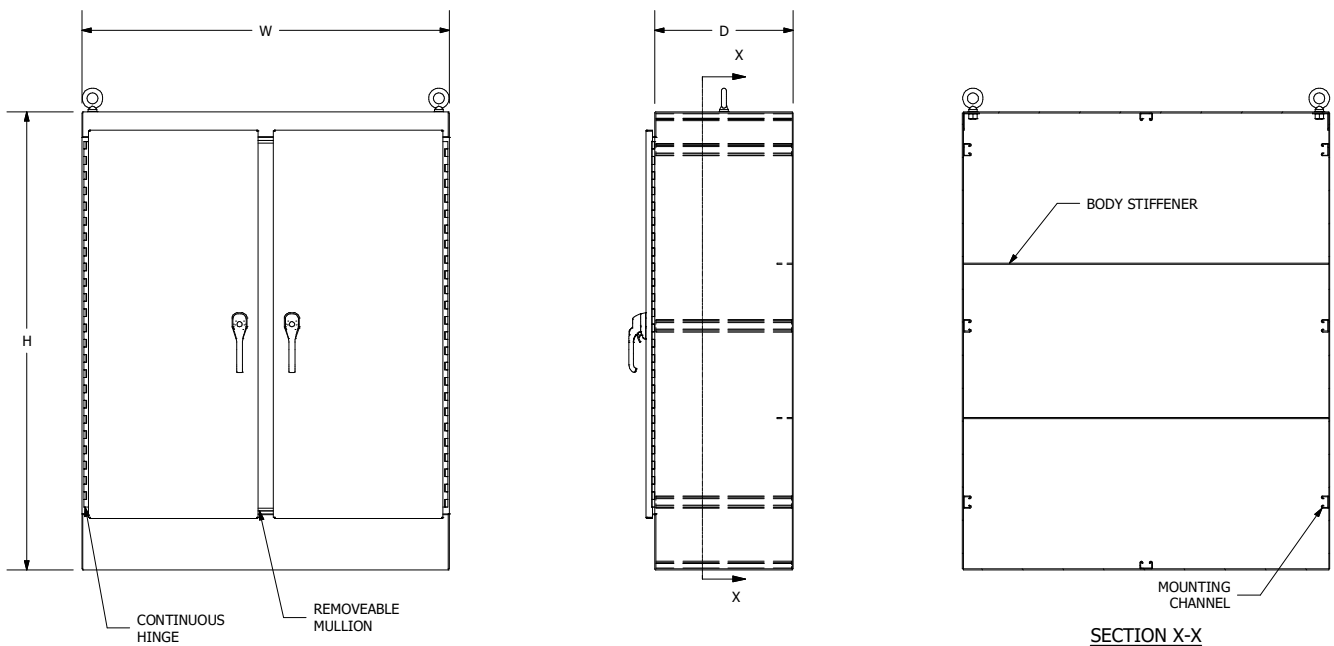
Accessories

- Back panels (reference table)
- See pages L1-L24

WA-SSFSDN43PT SERIES TWO DOOR STAINLESS STEEL ENCLOSURES

Catalog Number 304 SS	Enclosure Size HxWxD + 1/8	Back Panel Catalog Number*		Back Panel Size AxB
		White	"G"	
WA604818SSFSDN43PT	60.06x48.06x18.06 (1526x1221x459)	WA60P48F1	WA60P48F1G	48.00x44.00 (1422x1118)
WA724818SSFSDN43PT	72.06x48.06x18.06 (1830x1221x459)	WA72P48F1	WA72P48F1G	60.00x44.00 (1727x1118)
WA724824SSFSDN43PT	72.06x48.06x24.06 (1830x1221x611)	WA72P48F1	WA72P48F1G	60.00x44.00 (1727x1118)
WA726018SSFSDN43PT	72.06x60.06x18.06 (1830x1526x459)	WA72P60F1	WA72P60F1G	60.00x56.00 (1727x1422)
WA726024SSFSDN43PT	72.06x60.06x24.06 (1830x1526x611)	WA72P60F1	WA72P60F1G	60.00x56.00 (1727x1422)
WA726036SSFSDN43PT	72.06x60.06x36.06 (1830x1526x916)	WA72P60F1	WA72P60F1G	60.00x56.00 (1727x1422)
WA727218SSFSDN43PT	72.06x72.06x18.06 (1830x1830x459)	WA72P72F1	WA72P72F1G	60.00x68.00 (1727x1727)
WA727224SSFSDN43PT	72.06x72.06x24.06 (1830x1830x611)	WA72P72F1	WA72P72F1G	60.00x68.00 (1727x1727)
WA904820SSFSDN43PT	90.06x48.06x20.06 (2288x1221x510)	WA90P48F1	WA90P48F1G	78.00x44.00 (2184x1118)
WA907220SSFSDN43PT	90.06x72.06x20.06 (2288x1830x510)	WA90P72F1	WA90P72F1G	78.00x68.00 (2184x1727)
WA907224SSFSDN43PT	90.06x72.06x24.06 (2288x1830x611)	WA90P72F1	WA90P72F1G	78.00x68.00 (2184x1727)
WA907236SSFSDN43PT	90.06x72.06x36.06 (2288x1830x916)	WA90P72F1	WA90P72F1G	78.00x68.00 (2184x1727)

*Back panels must be ordered separately.



- NOTES:
1. FOUR LIFTING EYE-BOLTS ARE SUPPLIED WHEN "D" IS 30.00" OR GREATER.
2. OPTIONAL PANEL(S) CAN BE MOUNTED ANYWHERE ALONG MOUNTING CHANNELS.


WA604818FSDSS
Industry Standards

UL 508A, Type 12

CSA Certified, Type 12

NEMA/EEMAC Type 12

 UL Files E64791

 CSA File LL66078

FEATURES-SPECIFICATIONS
Applications

Designed to protect electrical and electronic controls, components, and instruments in typical industrial environments from dust, dirt, oil, and dripping water. These enclosures are used in machine tool applications for housing motor starters, drives, contactors, PLC's, as well as a wide variety of other electrical and electronic equipment. The addition of 19-inch rack mounting accessories make these enclosures ideal for providing rugged protection for sensitive rack mounted components in harsh industrial environments.

Two styles are available to provide maximum flexibility:

- a) Single Door Single Access
(single door on front)
- b) Two Door Single Access
(two doors on front)

Construction

- Bodies and doors are fabricated from 304 stainless steel
- Seams are continuously welded and ground smooth
- Body stiffeners are added for extra rigidity
- Heavy-duty lifting eyes for easy handling
- Heavy gauge continuous hinges
- 3-point 316L SS padlocking handle
- Mounting channels are welded horizontally to interior body. **Optional** swing panels and rack angles can be mounted anywhere along the mounting channel
- Doors are sealed with a poured in place gasket
- Grounding provisions are provided

Finish

- Exterior surfaces of the enclosure have a smooth grained finish
- **Optional** back panels are painted with a white polyester powder
- **Optional** "G" panels are pre-galvanized steel

Accessories

- Back panels (reference table)
- See pages L1-L24

continued on page E53

WA-FSSS SERIES SINGLE DOOR FREESTANDING ENCLOSURES

Catalog Number	Enclosure Size HxWxD	Back Panel Catalog Number*		Back Panel Size AxB	A	F
		White	"G"			
WA602418FSSS	60.12x24.12x18.12 (1527x613x460)	WA60P24F1	WA60P24F1G	23.13 (587)	32.06 (814)	32.06 (814)
WA722418FSSS	72.12x24.12x18.12 (1832x613x460)	WA72P24F1	WA72P24F1G	29.13 (740)	38.06 (967)	32.06 (814)
WA723018FSSS	72.12x30.12x18.12 (1832x765x460)	WA72P30F1	WA72P30F1G	29.13 (740)	38.06 (967)	38.06 (967)
WA723618FSSS	72.12x36.12x18.12 (1832x917x460)	WA72P36F1	WA72P36F1G	29.13 (740)	38.06 (967)	38.06 (967)
WA902420FSSS	90.12x24.12x20.12 (2289x613x511)	WA90P24F1	WA90P24F1G	38.13 (968)	47.06 (1195)	38.06 (967)
WA903620FSSS	90.12x36.12x20.12 (2289x917x511)	WA90P36F1	WA90P36F1G	38.13 (968)	47.06 (1195)	38.06 (967)
WA603624FSSS	60.12x36.12x24.12 (1527x917x613)	WA60P36F1	WA60P36F1G	23.13 (587)	32.06 (814)	38.06 (967)
WA722424FSSS	72.12x24.12x24.12 (1832x613x613)	WA72P24F1	WA72P24F1G	29.13 (740)	38.06 (967)	38.06 (967)
WA723024FSSS	72.12x30.12x24.12 (1832x765x613)	WA72P30F1	WA72P30F1G	29.13 (740)	38.06 (967)	38.06 (967)
WA723624FSSS	72.12x36.12x24.12 (1832x917x613)	WA72P36F1	WA72P36F1G	29.13 (740)	38.06 (967)	38.06 (967)
WA903624FSSS	90.12x36.12x24.12 (2289x917x613)	WA90P36F1	WA90P36F1G	38.13 (968)	47.06 (1195)	47.06 (1195)
WA723630FSSS	72.12x36.12x30.12 (1832x917x765)	WA72P36F1	WA72P36F1G	29.13 (740)	38.06 (967)	47.06 (1195)
WA723636FSSS	72.12x36.12x36.12 (1832x917x917)	WA72P36F1	WA72P36F1G	29.13 (740)	38.06 (967)	47.06 (1195)
WA903636FSSS	90.12x36.12x36.12 (2289x917x917)	WA90P36F1	WA90P36F1G	38.13 (968)	47.06 (1195)	47.06 (1195)

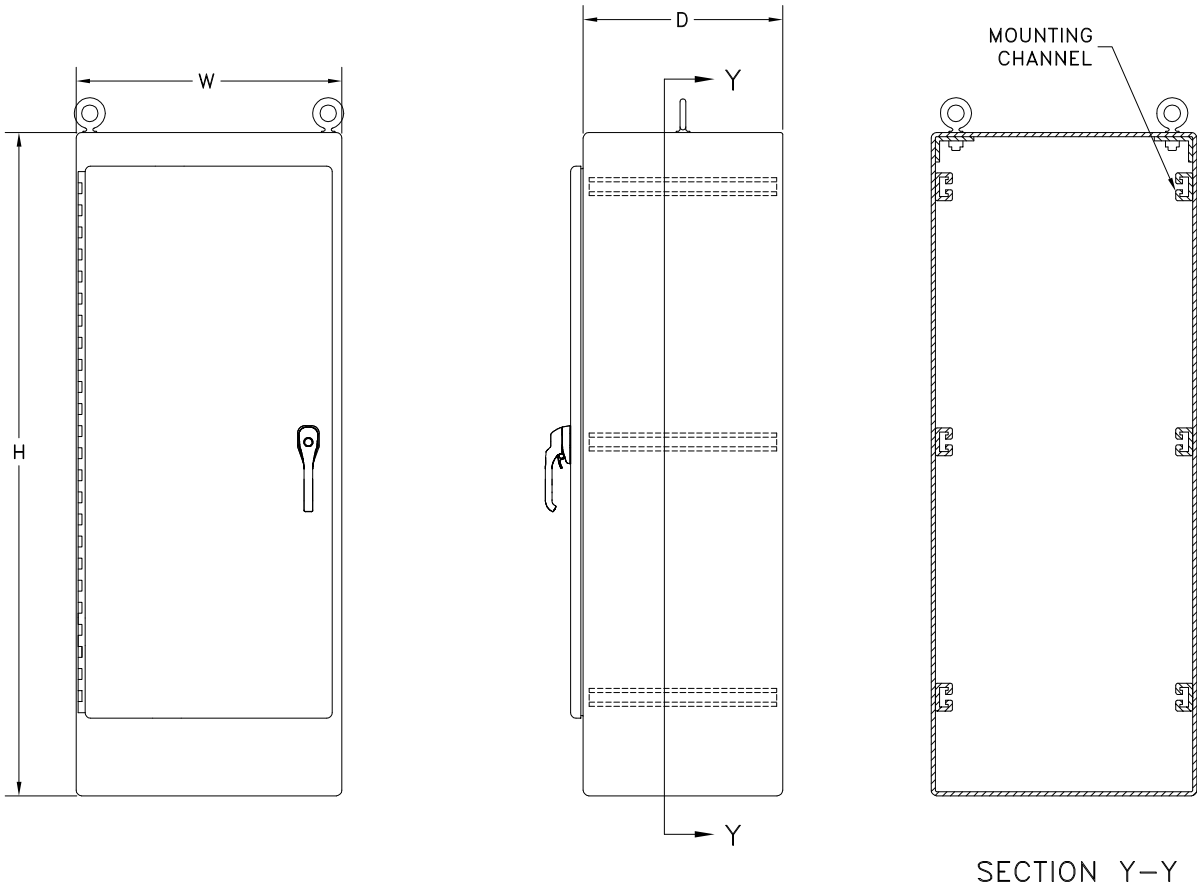
*Back panels must be ordered separately.

WA-FSDSS SERIES TWO DOOR FREESTANDING ENCLOSURES

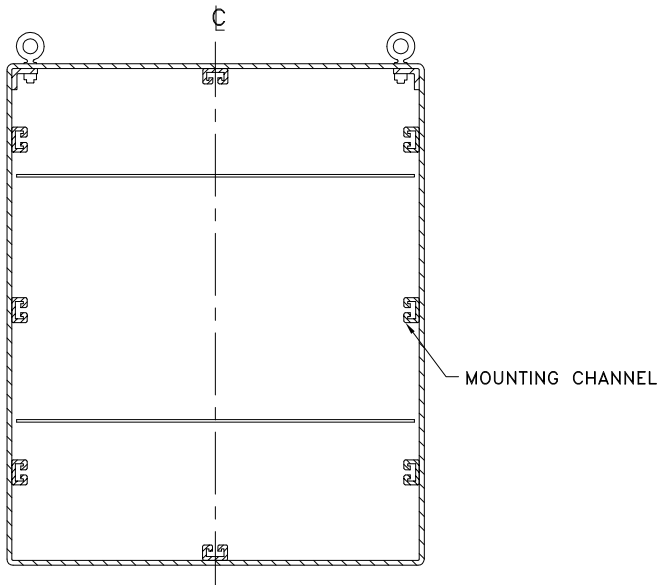
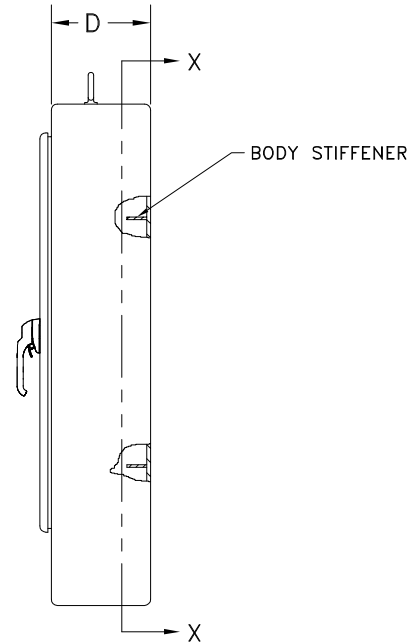
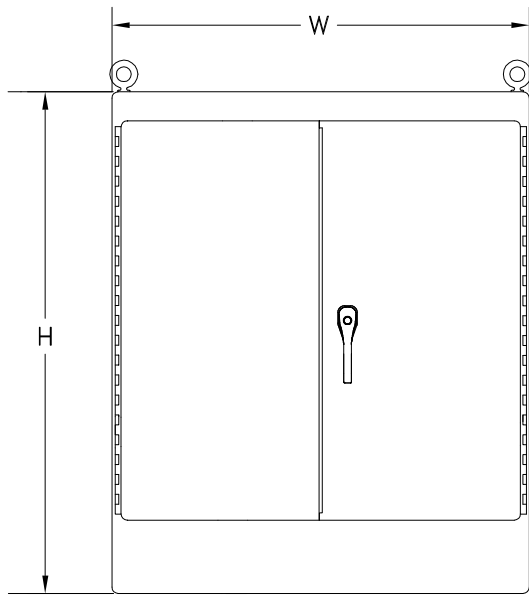
Catalog Number	Enclosure Size HxWxD	Back Panel Catalog Number*		A	B	C	E
		White	"G"				
WA604818FSDSS	60.12x48.12x18.12 (1527x1222x460)	WA60P48F1	WA60P48F1G	23.13 (587)	19.88 (505)	20.03 (509)	32.06 (814)
WA724818FSDSS	72.12x48.12x18.12 (1832x1222x460)	WA72P48F1	WA72P48F1G	29.13 (740)	23.88 (607)	24.03 (610)	38.06 (967)
WA726018FSDSS	72.12x60.12x18.12 (1832x1527x460)	WA72P60F1	WA72P60F1G	29.13 (740)	23.88 (607)	24.03 (610)	38.06 (967)
WA727218FSDSS	72.12x72.12x18.12 (1832x1832x460)	WA72P72F1	WA72P72F1G	29.13 (740)	23.88 (607)	24.03 (610)	38.06 (967)
WA904820FSDSS	90.12x48.12x20.12 (2289x1222x511)	WA90P48F1	WA90P48F1G	38.13 (968)	29.88 (759)	30.03 (763)	47.06 (1195)
WA907220FSDSS	90.12x72.12x20.12 (2289x1832x511)	WA90P72F1	WA90P72F1G	38.13 (968)	29.88 (759)	30.03 (763)	47.06 (1195)
WA724824FSDSS	72.12x48.12x24.12 (1832x1222x613)	WA72P48F1	WA72P48F1G	29.13 (740)	23.88 (607)	24.03 (610)	38.06 (967)
WA726024FSDSS	72.12x60.12x24.12 (1832x1527x613)	WA72P60F1	WA72P60F1G	29.13 (740)	23.88 (607)	24.03 (610)	38.06 (967)
WA727224FSDSS	72.12x72.12x24.12 (1832x1832x613)	WA72P72F1	WA72P72F1G	29.13 (740)	23.88 (607)	24.03 (610)	38.06 (967)
WA907224FSDSS	90.12x72.12x24.12 (2289x1832x613)	WA90P72F1	WA90P72F1G	38.13 (968)	29.88 (759)	30.03 (763)	47.06 (1195)
WA726036FSDSS	72.12x60.12x36.12 (1832x1527x917)	WA72P60F1	WA72P60F1G	29.13 (740)	23.88 (607)	24.03 (610)	38.06 (967)
WA907236FSDSS	90.12x72.12x36.12 (2289x1832x917)	WA90P72F1	WA90P72F1G	38.13 (968)	29.88 (759)	30.03 (763)	47.06 (1195)

*Back panels must be ordered separately.

WA-FSSS



WA-FSDSS



SECTION X-X

Section F Index

Premier SC Series

Opaque, Lift-Off Cover with
Four Screws F2

Premier CHSC Series

Opaque, Hinged Cover with
Two Screws F3

Premier CC-CHSC Series

Clear, Hinged Cover with
Two Screws F4

Premier CHQR Series

Opaque, Hinged Cover with Pull Latches
With or Without Window F5

Premier CC-CHQR Series

Clear, Hinged Cover with
Pull Latches F6

Premier CHTL Series

Opaque/Clear, Hinged Cover with
Link-Lock Latches F7

Classic SC Series

Opaque, Lift-Off Cover with
Four Screws F9

Classic CHSC Series

Opaque, Hinged Cover with
Two Screws F10

Classic CHQR Series

Opaque, Hinged Cover with
Pull Latches F11

Classic CHQTD Series

Opaque, Hinged Cover with
Quarter-Turn Latch F12

Polycarbonate CHQR Series

Opaque/Clear, Hinged Cover with
Pull Latches F13

Polycarbonate Pushbutton Series

22MM, 30MM, or Blank Screw Cover F14

Slim-Line N4X Series

Opaque, Junction Box with
Lift-Off Cover F15

Slim-Line SC Series

Opaque, Junction Box with
Four Screw Cover F16

In-Line N4X Pushbutton Series

30MM Pushbutton with Lift-Off Cover . . . F17

In-Line N4X Pushbutton Series

22MM Pushbutton with Lift-Off Cover . . . F18

In-Line N4X Multi-Hole Pushbutton Series

30MM Pushbutton with Lift-Off Cover . . . F19

JIC SC Series

Opaque, Lift-Off Cover with
Four Screws F20

JIC CHSC Series

Opaque/White, Hinged Cover with
Two Screws F21

JIC CHQR Series

Opaque/White, Hinged Cover with
Pull Latches F22

JIC CHQRW Series

Opaque, Hinged Cover with
Pull Latches and Window F23

JIC CHTL Series

Opaque, Hinged Cover with Twist Latches
With or Without Window F24

JIC XD Series

Opaque, Extended Depth with
Pull Latches F25

JIC RHJ-SC Series

Opaque, Raised Lift-Off Cover with
Four Screws F26

JIC RHJ-CHSC Series

Opaque, Raised Hinged Cover with
Two Screws F27

JIC RHJ-CHQR Series

Opaque, Raised Hinged Cover with
Pull Latches, With or Without Window . . . F28

JIC RHJ-CHTL Series

Opaque, Raised Hinged Cover with Twist
Latches, With or Without Window F29

JIC 3PT Series

Opaque, Hinged Cover with
3-Point Latch F30

JIC D-SC Series

Opaque, Shallow Depth Flush
Screw Cover F31

NEMA 3R Control Series

Opaque, Hinged Cover with
Twist-Lock Latches F33

NEMA 4X Control Series

Opaque, Hinged Cover with Twist-Lock
Latches, With or Without Window F35

NEMA 4X Control Series

Opaque, Single Hinged Door with
Twist-Lock Latches F37

Subpanels for Premier, Classic, and JIC
Non-Metallic Enclosures F39-F40

Subpanels for Control Series
Non-Metallic Enclosures F41

Accessories for
Non-Metallic Enclosures F42-F44

Accessories for
Polycarbonate Enclosures F45

NON-METALLIC ENCLOSURES



**PREMIER SERIES NON-METALLIC ENCLOSURES
OPAQUE, LIFT-OFF COVER WITH FOUR SCREWS**



HW-141206SC

Industry Standards

- UL/cUL 50/508, Type 1, 3, 3S, 12, 13, 4X
- CSA Standard C22.2 Type 1, 3, 3S, 12, 13, 4X
- NEMA Standard 250 Type 1, 3, 3S, 12, 13, 4X
- IEC 60529 IP66
- Cover, UL94 V-0, Box, 5V flammability rating
- Non-flame propagating
- Flame Spread classification per NFPA No. 101, Class A (1)
- Temperature Range: -76°F to 274°F (-60°C to 134°C)



FEATURES-SPECIFICATIONS

Construction

- Fiberglass construction
- Poured polyurethane seamless gasket provides water-tight, dust-tight environmental seal
- Excellent chemical and corrosion resistance
- Rounded edges, minimal protrusions or exposed pocket area for accumulation of dust or debris

- 300 Series stainless steel used on all external hardware
- **Optional** mounting foot kit available
- Opaque cover with four screws
- Raised bosses with brass inserts accepting 10-32 screws for optional panel mounting
- Impact resistance and physical strength greater than that of ABS and PVC
- Full 180° door opening

- Color: Gray

Accessories

- See pages F42-F45
- Subpanels F39-F41
- For Optional Mounting Foot Kit for Premier Series see page F42 (Ref:HW-MGFTKIT)

PREMIER SERIES OPAQUE, FOUR SCREW COVER

Catalog Number	Enclosure Overall Size HxWxD	Enclosure Inside AxBxC	Weight lbs.	Carbon Steel Subpanel	Fiberglass Subpanel	Stainless Steel Subpanel	Aluminum Subpanel
HW-60604SC	7.41 x 7.79 x 4.31 (188.3 x 197.9 x 109.5)	6.77 x 6.77 x 4.06 (171.9 x 171.9 x 103.2)	2.5	HW-MP604CS	HW-MP604FG	HW-MP604SS	HW-MP604A
HW-80604SC	9.41 x 7.79 x 4.31 (239.1x197.9x109.5)	8.77 x 6.77 x 4.06 (222.7 x 171.9 x 103.2)	3.0	HW-MP606CS	HW-MP606FG	HW-MP606SS	HW-MP606A
HW-80804SC	9.39 x 9.76 x 4.31 (238.5 x 248.0 x 109.5)	8.74 x 8.74 x 4.06 (222.1 x 222.1 x 103.2)	3.5	HW-MP806CS	HW-MP806FG	HW-MP806SS	HW-MP806A
HW-100806SC	11.42 x 9.79 x 6.31 (290.1 x 248.6 x 160.3)	10.73 x 8.73 x 6.06 (272.5 x 221.7 x 153.9)	4.5	HW-MP1008CS	HW-MP1008FG	HW-MP1008SS	HW-MP1008A
HW-121006SC	13.45 x 11.83 x 6.31 (341.6 x 300.5 x 160.3)	12.69 x 10.69 x 6.06 (322.3 x 271.5 x 153.9)	6.0	HW-MP1210CS	HW-MP1210FG	HW-MP1210SS	HW-MP1210A
HW-141206SC	15.49 x 13.86 x 6.31 (393.4 x 352.0 x 160.3)	14.72 x 12.72 x 6.06 (373.9 x 323.1 x 153.9)	8.0	HW-MP1412CS	HW-MP1412FG	HW-MP1412SS	HW-MP1412A
HW-141208SC	15.49 x 13.86 x 8.34 (393.4 x 352.0 x 211.8)	14.66 x 12.66 x 8.06 (372.4 x 321.6 x 204.7)	9.5	HW-MP1412CS	HW-MP1412FG	HW-MP1412SS	HW-MP1412A
HW-161408SC	17.58 x 15.96 x 8.34 (446.6 x 405.4 x 211.8)	16.69 x 14.69 x 8.06 (424.0 x 373.1 x 204.7)	11.5	HW-MP1614CS	HW-MP1614FG	HW-MP1614SS	HW-MP1614A
HW-181610SC	19.77 x 18.15 x 10.34 (502.2 x 461.0 x 262.6)	18.63 x 16.63 x 10.06 (473.2 x 422.4 x 255.5)	16.0	HW-MP1816CS	HW-MP1816FG	HW-MP1816SS	HW-MP1816A
HW-201610SC	21.79 x 18.16 x 10.34 (553.5 x 461.2 x 262.6)	20.63 x 16.63 x 10.06 (524.0 x 422.4 x 255.5)	17.5	HW-MP2016CS	HW-MP2016FG	HW-MP2016SS	HW-MP2016A

*Note: Subpanels must be ordered separately. Dimensions in inches (millimeters). (For dimensional drawings see page F8)

**PREMIER SERIES NON-METALLIC ENCLOSURES
OPAQUE, HINGED TWO SCREW COVER**

F3



HW-141206CHSC

Industry Standards

- UL/cUL 50/508, Type 1, 3, 3S, 12, 13, 4X
- CSA Standard C22.2 Type 1, 3, 3S, 12, 13, 4X
- NEMA Standard 250 Type 1, 3, 3S, 12, 13, 4X
- IEC 60529 IP66
- Cover, UL94 V-0, Box, 5V flammability rating
- Non-flame propagating
- Flame Spread classification per NFPA No. 101, Class A (1)
- Temperature Range: -76°F to 274°F (-60°C to 134°C)



FEATURES-SPECIFICATIONS

Construction

- Fiberglass construction
- Poured polyurethane seamless gasket provides water-tight, dust-tight environmental seal
- Excellent chemical and corrosion resistance
- Rounded edges, minimal protrusions or exposed pocket area for

accumulation of dust or debris

- 300 Series stainless steel used on all external hardware
- **Optional** mounting foot kit available
- Raised bosses with brass inserts accepting 10-32 screws for optional panel mounting
- Impact resistance and physical strength greater than that of ABS and PVC

- Full 180° door opening
- Color: Gray

Accessories

- See pages F42-F45
- Subpanels F39-F41
- For Optional Mounting Foot Kit for Premier Series see page F42 (Ref:HW-MGFTKIT)

PREMIER SERIES OPAQUE HINGED TWO SCREW COVER

Catalog Number	Enclosure Overall Size HxWxD	Enclosure Inside AxBxC	Weight lbs	Carbon Steel Subpanel	Fiberglass Subpanel	Stainless Steel Subpanel	Aluminum Subpanel
HW-60604CHSC	7.41 x 7.79 x 4.31 (188.3 x 197.9 x 109.5)	6.77 x 6.77 x 4.06 (171.9 x 171.9 x 103.2)	2.5	HW-MP606CS	HW-MP606FG	HW-MP606SS	HW-MP606A
HW-80604CHSC	9.41 x 7.79 x 4.31 (239.1x197.9x109.5)	8.77 x 6.77 x 4.06 (222.7 x 171.9 x 103.2)	3.0	HW-MP806CS	HW-MP806FG	HW-MP806SS	HW-MP806A
HW-80804CHSC	9.39 x 9.76 x 4.31 (238.5 x 248.0 x 109.5)	8.74 x 8.74 x 4.06 (222.1 x 222.1 x 103.2)	3.5	HW-MP808CS	HW-MP808FG	HW-MP808SS	HW-MP808A
HW-100806CHSC	11.42 x 9.79 x 6.31 (290.1 x 248.6 x 160.3)	10.73 x 8.73 x 6.06 (272.5 x 221.7 x 153.9)	4.5	HW-MP1008CS	HW-MP1008FG	HW-MP1008SS	HW-MP1008A
HW-121006CHSC	13.45 x 11.83 x 6.31 (341.6 x 300.5 x 160.3)	12.69 x 10.69 x 6.06 (322.3 x 271.5 x 153.9)	6.0	HW-MP1210CS	HW-MP1210FG	HW-MP1210SS	HW-MP1210A
HW-141206CHSC	15.49 x 13.86 x 6.31 (393.4 x 352.0 x 160.3)	14.72 x 12.72 x 6.06 (373.9 x 323.1 x 153.9)	8.0	HW-MP1412CS	HW-MP1412FG	HW-MP1412SS	HW-MP1412A
HW-141208CHSC	15.49 x 13.86 x 8.34 (393.4 x 352.0 x 211.8)	14.66 x 12.66 x 8.06 (372.4 x 321.6 x 204.7)	9.5	HW-MP1412CS	HW-MP1412FG	HW-MP1412SS	HW-MP1412A
HW-161408CHSC	17.58 x 15.96 x 8.34 (446.6 x 405.4 x 211.8)	16.69 x 14.69 x 8.06 (424.0 x 373.1 x 204.7)	11.5	HW-MP1614CS	HW-MP1614FG	HW-MP1614SS	HW-MP1614A
HW-181610CHSC	19.77 x 18.15 x 10.34 (502.2 x 461.0 x 262.6)	18.63 x 16.63 x 10.06 (473.2 x 422.4 x 255.5)	16.0	HW-MP1816CS	HW-MP1816FG	HW-MP1816SS	HW-MP1816A
HW-201610CHSC	21.79 x 18.16 x 10.34 (553.5 x 461.2 x 262.6)	20.63 x 16.63 x 10.06 (524.0 x 422.4 x 255.5)	17.5	HW-MP2016CS	HW-MP1816FG	HW-MP2016SS	HW-MP2016A

*Note: Subpanels must be ordered separately. Dimensions in inches (millimeters). (For dimensional drawings see page F8)

**PREMIER SERIES NON-METALLIC ENCLOSURES
CLEAR, HINGED COVER WITH TWO SCREWS**



HW-CC100806CHSC

Industry Standards

- UL/cUL 50/508, Type 1, 3, 3S, 12, 13, 4X
- CSA Standard C22.2 Type 1, 3, 3S, 12, 13, 4X
- NEMA Standard 250 Type 1, 3, 3S, 12, 13, 4X
- IEC 60529 IP66
- UL94 V-0, Box 5V flammability rating
- Clear Cover flammability rating: UL94 V-0
- Non-flame propagating
- Flame Spread classification per NFPA No. 101, Class A (1)
- Temperature Range: -76°F to 274°F (-60°C to 134°C)



FEATURES-SPECIFICATIONS

Construction

- Fiberglass construction
- Poured polyurethane seamless gasket provides water-tight, dust-tight environmental seal
- Clear hinged cover with two screws
- UV resistant
- Clear cover rated UL94 V-0
- Excellent chemical and corrosion resistance
- Rounded edges, minimal protrusions or exposed pocket areas for accumulation of dust or debris

- 300 Series stainless steel used on all external hardware
- **Optional** mounting foot kit available
- Raised bosses with brass inserts accepting 10-32 screws for optional panel mounting
- Impact resistance and physical strength greater than that of ABS and PVC
- Full 180° door opening
- Color: Gray

Accessories

- See pages F42-F45
- Subpanels F39-F41
- For Optional Mounting Foot Kit for Premier Series see page F42 (Ref:HW-MGFTKIT)

PREMIER SERIES CLEAR COVER WITH TWO SCREWS

Catalog Number	Enclosure Overall Size HxWxD	Enclosure Inside AxBxC	Weight lbs	Carbon Steel Subpanel	Fiberglass Subpanel	Stainless Steel Subpanel	Aluminum Subpanel
HW-CC60604CHSC	7.41 x 7.79 x 4.31 (188.3 x 197.9 x 109.5)	6.77 x 6.77 x 4.06 (171.9 x 171.9 x 103.2)	2.5	HW-MP606CS	HW-MP606FG	HW-MP606SS	HW-MP606A
HW-CC80604CHSC	9.41 x 7.79 x 4.31 (239.1x197.9x109.5)	8.77 x 6.77 x 4.06 (222.7 x 171.9 x 103.2)	3.0	HW-MP806CS	HW-MP806FG	HW-MP806SS	HW-MP806A
HW-CC80804CHSC	9.39 x 9.76 x 4.31 (238.5 x 248.0 x 109.5)	8.74 x 8.74 x 4.06 (222.1 x 222.1 x 103.2)	3.5	HW-MP808CS	HW-MP808FG	HW-MP808SS	HW-MP808A
HW-CC100806CHSC	11.42 x 9.79 x 6.31 (290.1 x 248.6 x 160.3)	10.73 x 8.73 x 6.06 (272.5 x 221.7 x 153.9)	4.5	HW-MP1008CS	HW-MP1008FG	HW-MP1008SS	HW-MP1008A
HW-CC121006CHSC	13.45 x 11.83 x 6.31 (341.6 x 300.5 x 160.3)	12.69 x 10.69 x 6.06 (322.3 x 271.5 x 153.9)	6.0	HW-MP1210CS	HW-MP1210FG	HW-MP1210SS	HW-MP1210A
HW-CC141206CHSC	15.49 x 13.86 x 6.31 (393.4 x 352.0 x 160.3)	14.72 x 12.72 x 6.06 (373.9 x 323.1 x 153.9)	8.0	HW-MP1412CS	HW-MP1412FG	HW-MP1412SS	HW-MP1412A
HW-CC141208CHSC	15.49 x 13.86 x 8.34 (393.4 x 352.0 x 211.8)	14.66 x 12.66 x 8.06 (372.4 x 321.6 x 204.7)	9.5	HW-MP1412CS	HW-MP1412FG	HW-MP1412SS	HW-MP1412A
HW-CC161408CHSC	17.58 x 15.96 x 8.34 (446.6 x 405.4 x 211.8)	16.69 x 14.69 x 8.06 (424.0 x 373.1 x 204.7)	11.5	HW-MP1614CS	HW-MP1614FG	HW-MP1614SS	HW-MP1614A

*Note: Subpanels must be ordered separately. Dimensions in inches (millimeters). (For dimensional drawings see page F8)

**PREMIER SERIES NON-METALLIC ENCLOSURES
OPAQUE, HINGED COVER WITH TWO PULL LATCHES**



HW-60604CHQRW



HW-141208CHQR

Industry Standards

- UL/cUL 50/508, Type 1, 3, 3S, 12, 13, 4X
- CSA Standard C22.2 Type 1, 3, 3S, 12, 13, 4X
- NEMA Standard 250 Type 1, 3, 3S, 12, 13, 4X
- IEC 60529 IP66
- Cover, UL94 V-0, Box, 5V flammability rating
- Window Flammability UL94 HB
- Non-flame propagating
- Flame Spread classification per NFPA No. 101, Class A (1)
- Temperature Range: -76°F to 274°F (-60°C to 134°C)



FEATURES-SPECIFICATIONS

Construction

- Fiberglass construction
- Impact resistance and physical strength greater than that of ABS and PVC
- Poured polyurethane seamless gasket provides water-tight, dust-tight environmental seal
- Opaque hinged cover with two pull latches

- Integral hasp provides secure loop for padlock (padlock not included)
- Full 180° door opening
- UV resistant
- Excellent chemical and corrosion resistance
- Rounded edges, minimal protrusions or exposed pocket area for accumulation of dust or debris
- 300 Series stainless steel used on all external hardware

- Optional mounting foot kit available
- Raised bosses with brass inserts accepting 10-32 screws for optional panel mounting
- Color: Gray

Accessories

- See pages F42-F45
- Subpanels F39-F41
- For Optional Mounting Foot Kit for Premier Series see page F42 (Ref:HW-MGFTKIT)

PREMIER SERIES OPAQUE WITH TWO PULL LATCHES

Catalog Number		Enclosure Overall Size HxWxD	Enclosure Inside AxBxC	Weight lbs.	Carbon Steel Subpanel	Fiberglass Subpanel	Stainless Steel Subpanel	Aluminum Subpanel
With Window	W/O Window							
HW-60604CHQRW	HW-60604CHQR	7.41 x 7.79 x 4.31 (188.3 x 197.9 x 109.5)	6.77 x 6.77 x 4.06 (171.9 x 171.9 x 103.2)	2.5	HW-MP606CS	HW-MP606FG	HW-MP606SS	HW-MP606A
HW-80604CHQRW	HW-80604CHQR	9.41 x 7.79 x 4.31 (239.1x197.9x109.5)	8.77 x 6.77 x 4.06 (222.7 x 171.9 x 103.2)	3.25	HW-MP806CS	HW-MP806FG	HW-MP806SS	HW-MP806A
HW-80804CHQRW	HW-80804CHQR	9.39 x 9.76 x 4.31 (238.5 x 248.0 x 109.5)	8.74 x 8.74 x 4.06 (222.1 x 222.1 x 103.2)	3.5	HW-MP808CS	HW-MP808FG	HW-MP808SS	HW-MP808A
HW-100806CHQRW	HW-100806CHQR	11.42 x 9.79 x 6.31 (290.1 x 248.6 x 160.3)	10.73 x 8.73 x 6.06 (272.5 x 221.7 x 153.9)	4.5	HW-MP1008CS	HW-MP1008FG	HW-MP1008SS	HW-MP1008A
HW-121006CHQRW	HW-121006CHQR	13.45 x 11.83 x 6.31 (341.6 x 300.5 x 160.3)	12.69 x 10.69 x 6.06 (322.3 x 271.5 x 153.9)	6	HW-MP1210CS	HW-MP1210FG	HW-MP1210SS	HW-MP1210A
HW-141206CHQRW	HW-141206CHQR	15.49 x 13.86 x 6.31 (393.4 x 352.0 x 160.3)	14.72 x 12.72 x 6.06 (373.9 x 323.1 x 153.9)	8	HW-MP1412CS	HW-MP1412FG	HW-MP1412SS	HW-MP1412A
HW-141208CHQRW	HW-141208CHQR	15.49 x 13.86 x 8.34 (393.4 x 352.0 x 211.8)	14.66 x 12.66 x 8.06 (372.4 x 321.6 x 204.7)	9.5	HW-MP1412CS	HW-MP1412FG	HW-MP1412SS	HW-MP1412A
HW-161408CHQRW	HW-161408CHQR	17.58 x 15.96 x 8.34 (446.6 x 405.4 x 211.8)	16.69 x 14.69 x 8.06 (424.0 x 373.1 x 204.7)	11.5	HW-MP1614CS	HW-MP1614FG	HW-MP1614SS	HW-MP1614A
HW-181610CHQRW	HW-181610CHQR	19.77 x 18.15 x 10.34 (502.2 x 461.0 x 262.6)	18.63 x 16.63 x 10.06 (473.2 x 422.4 x 255.5)	16	HW-MP1816CS	HW-MP1816FG	HW-MP1816SS	HW-MP1816A
HW-201610CHQRW	HW-201610CHQR	21.79 x 18.16 x 10.34 (553.5 x 461.2 x 262.6)	20.63 x 16.63 x 10.06 (524.0 x 422.4 x 255.5)	17.5	HW-MP2016CS	HW-MP2016FG	HW-MP2016SS	HW-MP2016A

*Note: Subpanels must be ordered separately. Dimensions in inches (millimeters). (For dimensional drawings see page F8)

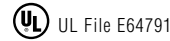
**PREMIER SERIES NON-METALLIC ENCLOSURES
CLEAR, HINGED COVER WITH TWO PULL LATCHES**



HW-CC141206CHQR

Industry Standards

- UL/cUL 50/508, Type 1, 3, 3S, 12, 13, 4X
- CSA Standard C22.2 Type 1, 3, 3S, 12, 13, 4X
- NEMA Standard 250 Type 1, 3, 3S, 12, 13, 4X
- IEC 60529 IP66
- UL94 V-0, Box 5V flammability rating
- Clear Cover flammability rating: UL94 V-0
- Non-flame propagating
- Flame Spread classification per NFPA No. 101, Class A (1)
- Temperature Range: -76°F to 274°F (-60°C to 134°C)



FEATURES-SPECIFICATIONS

Construction

- Fiberglass construction
- Poured polyurethane seamless gasket provides water-tight, dust-tight environmental seal
- Clear hinged cover with two pull latches
- UV resistant
- Clear cover rated UL94 V-0
- Excellent chemical and corrosion resistance

- Rounded edges, minimal protrusions or exposed pocket areas for accumulation of dust or debris
- 300 Series stainless steel used on all external hardware
- Optional mounting foot kit available
- Raised bosses with brass inserts accepting 10-32 screws for optional panel mounting
- Impact resistance and physical strength greater than that of ABS and PVC

- Full 180° door opening
- Integral hasp provides secure loop for padlock (padlock not included)
- Color: Gray

Accessories

- See pages F42-F45
- Subpanels F39-F41
- For Optional Mounting Foot Kit for Premier Series see page F42 (Ref:HW-MGFTKIT)

PREMIER SERIES CLEAR COVER WITH TWO PULL LATCHES

Catalog Number	Enclosure Overall Size HxWxD	Enclosure Inside AxBxC	Weight lbs	Carbon Steel Subpanel	Fiberglass Subpanel	Stainless Steel Subpanel	Aluminum Subpanel
HW-CC60604CHQR	7.41 x 7.79 x 4.31 (188.3 x 197.9 x 109.5)	6.77 x 6.77 x 4.06 (171.9 x 171.9 x 103.2)	2.5	HW-MP606CS	HW-MP606FG	HW-MP606SS	HW-MP606A
HW-CC80604CHQR	9.41 x 7.79 x 4.31 (239.1x197.9x109.5)	8.77 x 6.77 x 4.06 (222.7 x 171.9 x 103.2)	3.0	HW-MP806CS	HW-MP806FG	HW-MP806SS	HW-MP806A
HW-CC80804CHQR	9.39 x 9.76 x 4.31 (238.5 x 248.0 x 109.5)	8.74 x 8.74 x 4.06 (222.1 x 222.1 x 103.2)	3.5	HW-MP808CS	HW-MP808FG	HW-MP808SS	HW-MP808A
HW-CC100806CHQR	11.42 x 9.79 x 6.31 (290.1 x 248.6 x 160.3)	10.73 x 8.73 x 6.06 (272.5 x 221.7 x 153.9)	4.5	HW-MP1008CS	HW-MP1008FG	HW-MP1008SS	HW-MP1008A
HW-CC121006CHQR	13.45 x 11.83 x 6.31 (341.6 x 300.5 x 160.3)	12.69 x 10.69 x 6.06 (322.3 x 271.5 x 153.9)	6.0	HW-MP1210CS	HW-MP1210FG	HW-MP1210SS	HW-MP1210A
HW-CC141206CHQR	15.49 x 13.86 x 6.31 (393.4 x 352.0 x 160.3)	14.72 x 12.72 x 6.06 (373.9 x 323.1 x 153.9)	8.0	HW-MP1412CS	HW-MP1412FG	HW-MP1412SS	HW-MP1412A
HW-CC141208CHQR	15.49 x 13.86 x 8.34 (393.4 x 352.0 x 211.8)	14.66 x 12.66 x 8.06 (372.4 x 321.6 x 204.7)	9.5	HW-MP1412CS	HW-MP1412FG	HW-MP1412SS	HW-MP1412A
HW-CC161408CHQR	17.58 x 15.96 x 8.34 (446.6 x 405.4 x 211.8)	16.69 x 14.69 x 8.06 (424.0 x 373.1 x 204.7)	11.5	HW-MP1614CS	HW-MP1614FG	HW-MP1614SS	HW-MP1614A

*Note: Subpanels must be ordered separately. Dimensions in inches (millimeters). (See dimensional drawings on page F8 of this section.) (For dimensional drawings see page F8)

**PREMIER SERIES NON-METALLIC ENCLOSURES
CLEAR/OPAQUE COVER WITH LINK-LOCK LATCHES**



HW-CC141206CHTL

HW-60604CHTL

HW-161408CHTLW

Industry Standards

- UL/cUL 50/508, Type 1, 3, 3S, 12, 13, 4X
- CSA Standard C22.2 Type 1, 3, 3S, 12, 13, 4X
- NEMA Standard 250 Type 1, 3, 3S, 12, 13, 4X
- IEC 60529 IP66
- UL94 V-0, Box 5V flammability rating
- Clear Cover flammability: UL94 V-0
- Window flammability UL94 HB
- Non-flame propagating
- Flame Spread classification per NFPA No. 101, Class A (1)
- Temperature Range: -76°F to 274°F (-60°C to 134°C)



FEATURES-SPECIFICATIONS

Construction

- Fiberglass construction
- Poured polyurethane seamless gasket provides water-tight, dust-tight environmental seal
- Clear or opaque hinged cover with link-lock latches
- Window covers also available
- UV resistant
- Clear cover rated UL94 V-0.
- Excellent chemical and corrosion resistance

- Rounded edges, minimal protrusions or exposed pocket areas for accumulation of dust or debris
- 300 Series stainless steel used on all external hardware
- Optional mounting foot kit available
- Raised bosses with brass inserts accepting 10-32 screws for optional panel mounting
- Impact resistance and physical strength greater than that of ABS and PVC
- Full 180° door opening

- Link-lock latches for quick entry
- Integral hasp provides secure loop for padlock (padlock not included)
- Color: Gray

Accessories

- See pages F42-F45
- Subpanels F39-F41
- For Optional Mounting Foot Kit for Premier Series see page F42 (Ref:HW-MGFTKIT)

PREMIER SERIES CLEAR/OPAQUE COVER WITH LINK-LOCK LATCHES

Catalog Number		Enclosure Overall Size HxWxD	Enclosure Inside AxBxC	Weight lbs	Carbon Steel Subpanel	Fiberglass Subpanel	Stainless Steel Subpanel	Aluminum Subpanel
Clear Cover	Opaque Cover							
HW-CC60604CHTL	HW-60604CHTL	7.41 x 7.79 x 4.31 (188.3 x 197.9 x 109.5)	6.77 x 6.77 x 4.06 (171.9 x 171.9 x 103.2)	2.5	HW-MP606CS	HW-MP606FG	HW-MP606SS	HW-MP606A
HW-CC80604CHTL	HW-80604CHTL	9.41 x 7.79 x 4.31 (239.1 x 197.9 x 109.5)	8.77 x 6.77 x 4.06 (222.7 x 171.9 x 103.2)	3.0	HW-MP806CS	HW-MP806FG	HW-MP806SS	HW-MP806A
HW-CC80804CHTL	HW-80804CHTL	9.39 x 9.76 x 4.31 (238.5 x 248.0 x 109.5)	8.74 x 8.74 x 4.06 (222.1 x 222.1 x 103.2)	3.5	HW-MP808CS	HW-MP808FG	HW-MP808SS	HW-MP808A
HW-CC100806CHTL	HW-100806CHTL*	11.42 x 9.79 x 6.31 (290.1 x 248.6 x 160.3)	10.73 x 8.73 x 6.06 (272.5 x 221.7 x 153.9)	4.5	HW-MP1008CS	HW-MP1008FG	HW-MP1008SS	HW-MP1008A
HW-CC121006CHTL	HW-121006CHTL	13.45 x 11.83 x 6.31 (341.6 x 300.5 x 160.3)	12.69 x 10.69 x 6.06 (322.3 x 271.5 x 153.9)	6.0	HW-MP1210CS	HW-MP1210FG	HW-MP1210SS	HW-MP1210A
HW-CC141206CHTL	HW-141206CHTL	15.49 x 13.86 x 6.31 (393.4 x 352.0 x 160.3)	14.72 x 12.72 x 6.06 (373.9 x 323.1 x 153.9)	8.0	HW-MP1412CS	HW-MP1412FG	HW-MP1412SS	HW-MP1412A
HW-CC141208CHTL	HW-141208CHTL	15.49 x 13.86 x 8.34 (393.4 x 352.0 x 211.8)	14.66 x 12.66 x 8.06 (372.4 x 321.6 x 204.7)	9.5	HW-MP1412CS	HW-MP1412FG	HW-MP1412SS	HW-MP1412A
HW-CC161408CHTL	HW-161408CHTL*	17.58 x 15.96 x 8.34 (446.6 x 405.4 x 211.8)	16.69 x 14.69 x 8.06 (424.0 x 373.1 x 204.7)	11.5	HW-MP1614CS	HW-MP1614FG	HW-MP1614SS	HW-MP1614A
—	HW-181610CHTL*	19.77 x 18.15 x 10.34 (502.2 x 461.0 x 262.6)	18.63 x 16.63 x 10.06 (473.2 x 422.4 x 255.5)	20.2	HW-181610CS	HW-181610FG	HW-181610SS	HW-181610A
—	HW-201610CHTL*	21.79 x 18.16 x 10.34 (553.5 x 461.2 x 262.6)	20.63 x 16.63 x 10.06 (524.0 x 422.4 x 255.5)	21.7	HW-201610CS	HW-201610FG	HW-201610SS	HW-201610A

*Note: Subpanels must be ordered separately. Dimensions in inches (millimeters). (For dimensional drawings see page F8)
*Also available with a window cover. Add "W" to the end of the catalog number

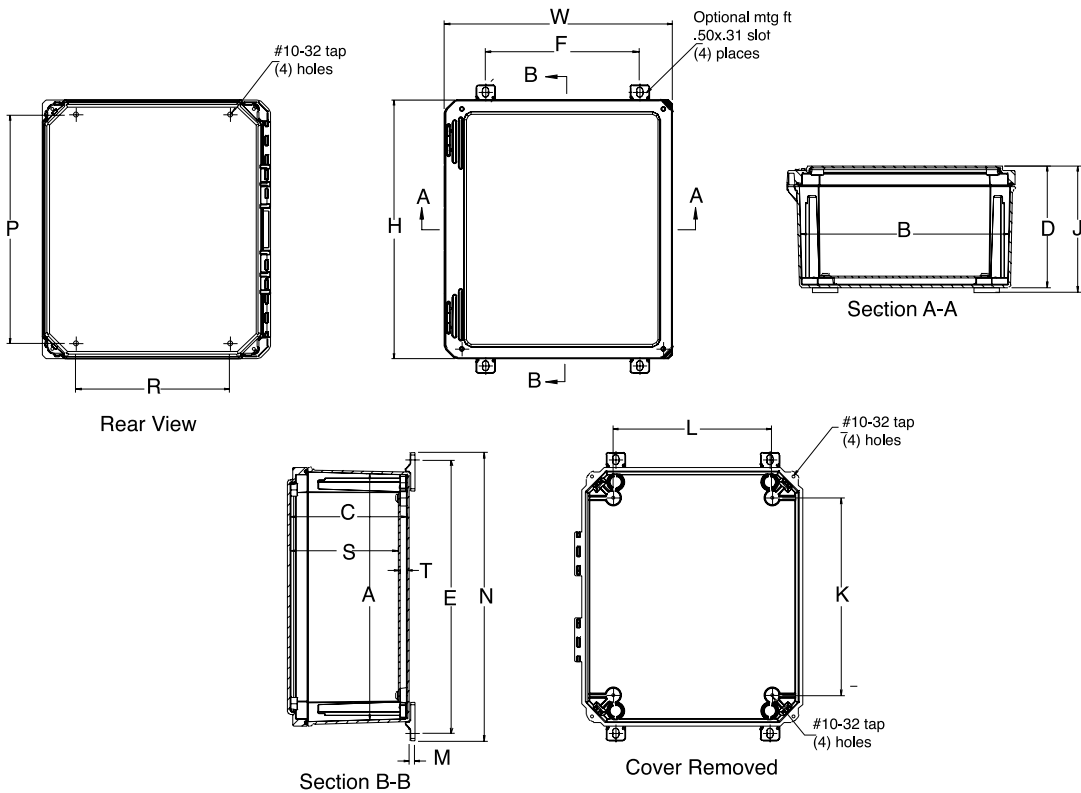
**PREMIER SERIES NON-METALLIC ENCLOSURES
DIMENSIONS FOR PREMIER SERIES ENCLOSURES**

Catalog Number	Enclosure Overall Size HxWxD	Enclosure Inside AxBxC	Mounting PxR	K	L	S	T	Optional Mounting Feet ExF	N	J	M
HW-*60604*	7.41 x 7.79 x 4.31 (188.3 x 197.9 x 109.5)	6.77 x 6.77 x 4.06 (171.9 x 171.9 x 103.2)	5.93 x 4.00 (150.6 x 101.6)	4.25 (108)	4.25 (108)	3.60 (91.5)	.38 (9.6)	8.24 x 4.00 (209.2 x 101.6)	9.02 (229.0)	4.56 (115.8)	.25 (6.35)
HW-*80604*	9.41 x 7.79 x 4.31 (239.1 x 197.9 x 109.5)	8.77 x 6.77 x 4.06 (222.7 x 171.9 x 103.2)	7.91 x 4.00 (200.9 x 101.6)	6.25 (159)	4.25 (108)	3.60 (91.5)	.38 (9.6)	10.21 x 4.00 (259.3 x 101.6)	10.98 (279.0)	4.56 (115.8)	.25 (6.35)
HW-*80804*	9.39 x 9.76 x 4.31 (238.5 x 248.0 x 109.5)	8.74 x 8.74 x 4.06 (222.1 x 222.1 x 103.2)	7.91 x 6.00 (200.9 x 152.4)	6.25 (159)	6.25 (159)	3.60 (91.5)	.38 (9.6)	10.21 x 6.00 (259.3 x 152.4)	10.98 (279.0)	4.56 (115.8)	.25 (6.35)
HW-*100806*	11.42 x 9.79 x 6.31 (290.1 x 248.6 x 160.3)	10.73 x 8.73 x 6.06 (272.5 x 221.7 x 153.9)	9.89 x 6.00 (251.2 x 152.4)	8.25 (210)	6.25 (159)	5.60 (142.3)	.38 (9.6)	12.19 x 6.00 (309.6 x 152.4)	12.96 (329.3)	6.56 (166.6)	.25 (6.35)
HW-*121006*	13.45 x 11.83 x 6.31 (341.6 x 300.5 x 160.3)	12.69 x 10.69 x 6.06 (322.3 x 271.5 x 153.9)	11.88 x 8.00 (301.7 x 203.2)	10.25 (260)	8.25 (210)	5.60 (142.3)	.38 (9.6)	14.18 x 8.00 (360.2 x 203.2)	14.95 (379.7)	6.56 (166.6)	.25 (6.35)
HW-*141206*	15.49 x 13.86 x 6.31 (393.4 x 352.0 x 160.3)	14.72 x 12.72 x 6.06 (373.9 x 323.1 x 153.9)	13.91 x 10.00 (353.3 x 254.0)	12.25 (311)	10.25 (260)	5.60 (142.3)	.38 (9.6)	16.21 x 10.00 (411.7 x 254.0)	16.98 (431.4)	6.59 (167.4)	.25 (6.35)
HW-*141208*	15.49 x 13.86 x 8.34 (393.4 x 352.0 x 211.8)	14.66 x 12.66 x 8.06 (372.4 x 321.6 x 204.7)	13.88 x 10.00 (352.5 x 254.0)	12.25 (311)	10.25 (260)	7.60 (193.2)	.38 (9.6)	16.19 x 10.00 (411.2 x 254.0)	16.96 (430.9)	8.59 (218.2)	.25 (6.35)
HW-*161408*	17.58 x 15.96 x 8.34 (446.6 x 405.4 x 211.8)	16.69 x 14.69 x 8.06 (424.0 x 373.1 x 204.7)	15.96 x 12.00 (405.4 x 304.8)	14.25 (362)	12.25 (311)	7.60 (193.2)	.38 (9.6)	18.26 x 12.00 (464.0 x 304.8)	19.04 (483.5)	8.59 (218.2)	.25 (6.35)
HW-*181610*	19.77 x 18.15 x 10.34 (502.2 x 461.0 x 262.6)	18.63 x 16.63 x 10.06 (473.2 x 422.4 x 255.5)	17.94 x 14.00 (455.6 x 355.6)	16.25 (413)	14.25 (362)	9.60 (243.9)	.38 (9.6)	20.24 x 14.00 (514.3 x 355.6)	21.02 (533.8)	10.59 (268.9)	.25 (6.35)
HW-*201610*	21.79 x 18.16 x 10.34 (553.5 x 461.2 x 262.6)	20.63 x 16.63 x 10.06 (524.0 x 422.4 x 255.5)	19.96 x 14.00 (506.9 x 355.6)	18.25 (463)	14.25 (362)	9.59 (243.7)	.38 (9.6)	22.26 x 14.00 (565.6 x 355.6)	23.04 (585.1)	10.59 (268.9)	.25 (6.35)

Dimensions in inches (millimeters). Letters in table correspond to letters on dimensional drawings.

Note: Base Part Number denotes enclosure size only. Defining alphabetical characters are represented by an asterisk (for example: HW-*60604* denotes dimensions for HW-60604CHSC, HW-60604CHQR, HW-CC60604CHQR, etc. Do not use Base Part Numbers to order enclosures. Use only complete part numbers when ordering.

For Optional Mounting Foot Kit for Premier Series see page F42. (Ref: HW-MGFTKIT)





HW-90705SC

Industry Standards

- UL/cUL 50/508, Type 1, 3R, 4X, 12
- CSA Standard C22.2 Type 1, 3, 4X, 12
- NEMA Standard 250 Type 1, 3, 4X, 12
- Cover, UL94 V-0, Box, 5V flammability rating
- Non-flame propagating
- Flame Spread classification per NFPA No. 101, Class A (1)
- Temperature Range: -76°F to 274°F (-60°C to 134°C)



FEATURES-SPECIFICATIONS

Construction

- Fiberglass construction
- Impact resistance and physical strength greater than that of ABS and PVC
- Poured polyurethane seamless gasket provides water-tight, dust-tight environmental seal
- Opaque lift-off cover with four screws

- Full 180° door opening
- UV resistant
- Excellent chemical and corrosion resistance
- Rounded edges, minimal protrusions or exposed pocket area for accumulation of dust or debris
- 300 Series stainless steel used on all external hardware
- Optional mounting foot kit available

- Raised bosses with brass inserts accepting 10-32 screws for optional panel mounting
- Color: Gray

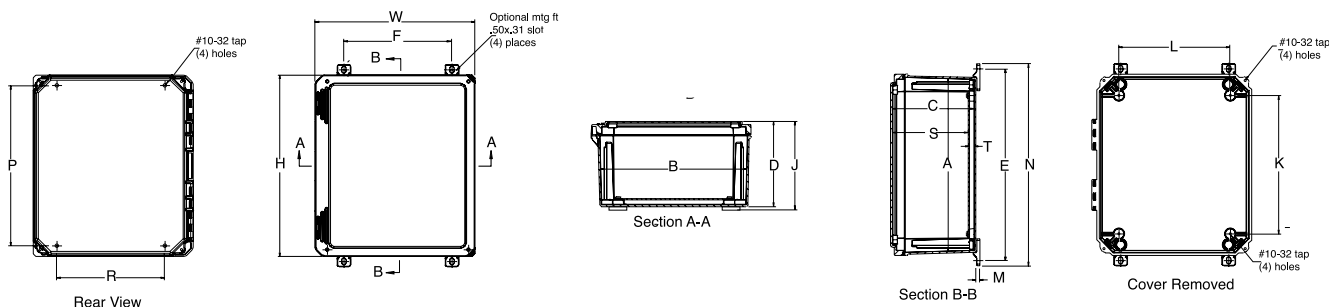
Accessories

- See pages F42-F45
- Subpanels F39-F41
- For Optional Mounting Foot Kit for Classic Series see page F42 (Ref:HW-LMTGFTKIT)

CLASSIC SERIES OPAQUE FOUR SCREW COVER

Catalog Number	Enclosure Overall Size HxWxD	Enclosure Inside AxBxC	Mounting PxR	Weight lbs.	Carbon Steel Subpanel	Fiberglass Subpanel	Stainless Steel Subpanel	Aluminum Subpanel
HW-70705SC	7.21 x 7.21 x 5.09 (183 x 183 x 129)	6.65 x 6.65 x 4.84 (169 x 169 x 123)	5.71 x 5.71 (145 x 145)	3.5	HW-MP606CS	HW-MP606FG	HW-MP606SS	HW-MP606A
HW-90705SC	9.21 x 7.21 x 5.09 (234 x 183 x 129)	8.59 x 6.59 x 4.84 (218 x 167 x 123)	7.71 x 5.71 (196 x 145)	4.2	HW-MP806CS	HW-MP806FG	HW-MP806SS	HW-MP806A
HW-110906SC	11.21 x 9.21 x 6.09 (285 x 234 x 155)	10.59 x 8.59 x 5.84 (269 x 218 x 148)	9.71 x 7.71 (247 x 196)	5.9	HW-MP1008CS	HW-MP1008FG	HW-MP1008SS	HW-MP1008A
HW-131106SC	13.21 x 11.21 x 6.59 (336 x 285 x 167)	12.59 x 10.59 x 6.34 (320 x 269 x 161)	11.71 x 9.71 (298 x 247)	7.6	HW-MP1210CS	HW-MP1210FG	HW-MP1210SS	HW-MP1210A
HW-151307SC	15.21 x 13.21 x 7.09 (386 x 336 x 180)	14.55 x 12.55 x 6.84 (370 x 319 x 174)	13.71 x 11.71 (348 x 298)	11.4	HW-MP1412CS	HW-MP1412FG	HW-MP1412SS	HW-MP1412A

*Note: Subpanels must be ordered separately. Dimensions in inches (millimeters).



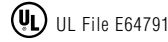
CLASSIC SERIES NON-METALLIC ENCLOSURES OPAQUE, HINGED TWO SCREW COVER



HW-70705CHSC

Industry Standards

- UL/cUL 50/508, Type 1, 3R, 4X, 12
- CSA Standard C22.2 Type 1, 3, 4X, 12
- NEMA Standard 250 Type 1, 3, 4X, 12
- Cover, UL94 V-0, Box, 5V flammability rating
- Non-flame propagating
- Flame Spread classification per NFPA No. 101, Class A (1)
- Temperature Range: -76°F to 274°F (-60°C to 134°C)



FEATURES-SPECIFICATIONS

Construction

- Fiberglass construction
- Impact resistance and physical strength greater than that of ABS and PVC
- Poured polyurethane seamless gasket provides water-tight, dust-tight environmental seal
- Opaque hinged cover with two screws

- Full 180° door opening
- UV resistant
- Excellent chemical and corrosion resistance
- Rounded edges, minimal protrusions or exposed pocket area for accumulation of dust or debris
- 300 Series stainless steel used on all external hardware
- Optional mounting foot kit available

- Raised bosses with brass inserts accepting 10-32 screws for optional panel mounting
- Color: Gray

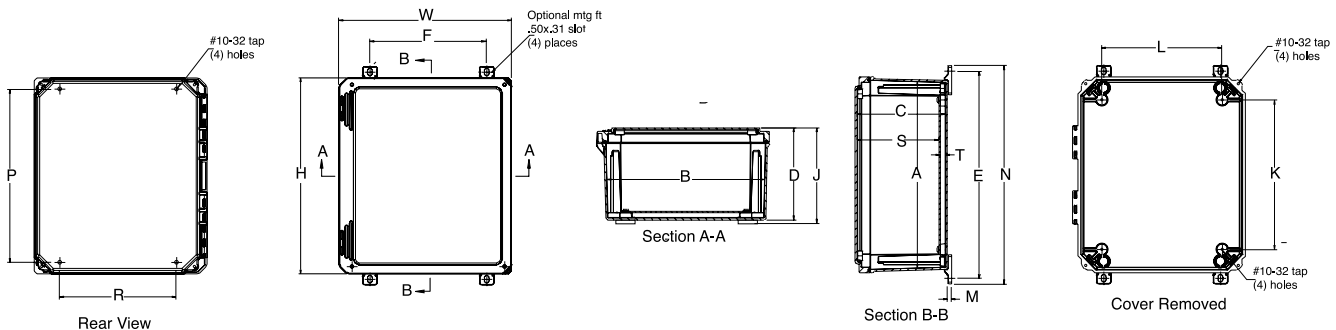
Accessories

- See pages F42-F45
- Subpanels F39-F41
- For Optional Mounting Foot Kit for Classic Series see page F42 (Ref:HW-LMTGFTKIT)

CLASSIC SERIES HINGED TWO SCREW COVER

Catalog Number	Enclosure Overall Size HxWxD	Enclosure Inside AxBxC	Mounting PxR	Weight lbs.	Carbon Steel Subpanel	Fiberglass Subpanel	Stainless Steel Subpanel	Aluminum Subpanel
HW-70705CHSC	7.21 x 7.21 x 5.09 (183 x 183 x 129)	6.65 x 6.65 x 4.84 (169 x 169 x 123)	5.71 x 5.71 (145 x 145)	3.5	HW-MP606CS	HW-MP606FG	HW-MP606SS	HW-MP606A
HW-90705CHSC	9.21 x 7.21 x 5.09 (234 x 183 x 129)	8.59 x 6.59 x 4.84 (218 x 167 x 123)	7.71 x 5.71 (196 x 145)	4.2	HW-MP806CS	HW-MP806FG	HW-MP806SS	HW-MP806A
HW-110906CHSC	11.21 x 9.21 x 6.09 (285 x 234 x 155)	10.59 x 8.59 x 5.84 (269 x 218 x 148)	9.71 x 7.71 (247 x 196)	5.9	HW-MP1008CS	HW-MP1008FG	HW-MP1008SS	HW-MP1008A
HW-131106CHSC	13.21 x 11.21 x 6.59 (336 x 285 x 167)	12.59 x 10.59 x 6.34 (320 x 269 x 161)	11.71 x 9.71 (298 x 247)	7.6	HW-MP1210CS	HW-MP1210FG	HW-MP1210SS	HW-MP1210A
HW-151307CHSC	15.21 x 13.21 x 7.09 (386 x 336 x 180)	14.55 x 12.55 x 6.84 (370 x 319 x 174)	13.71 x 11.71 (348 x 298)	11.4	HW-MP1412CS	HW-MP1412FG	HW-MP1412SS	HW-MP1412A

*Note: Subpanels must be ordered separately. Dimensions in inches (millimeters).





HW-70705CHQR

Industry Standards

- UL/cUL 50/508, Type 1, 3R, 4X, 12
- CSA Standard C22.2 Type 1, 3, 4X, 12
- NEMA Standard 250 Type 1, 3, 4X, 12
- Cover, UL94 V-0, Box, 5V flammability rating
- Non-flame propagating
- Flame Spread classification per NFPA No. 101, Class A (1)
- Temperature Range: -76°F to 274°F (-60°C to 134°C)



FEATURES-SPECIFICATIONS

Construction

- Fiberglass construction
- Impact resistance and physical strength greater than that of ABS and PVC
- Poured polyurethane seamless gasket provides water-tight, dust-tight environmental seal
- Opaque hinged cover with pull latches

- Integral hasp provides secure loop for padlock (padlock not included)
- Full 180° door opening
- UV resistant
- Excellent chemical and corrosion resistance
- Rounded edges, minimal protrusions or exposed pocket area for accumulation of dust or debris
- 300 Series stainless steel used on all external hardware

- Optional mounting foot kit available
- Raised bosses with brass inserts accepting 10-32 screws for optional panel mounting
- Color: Gray

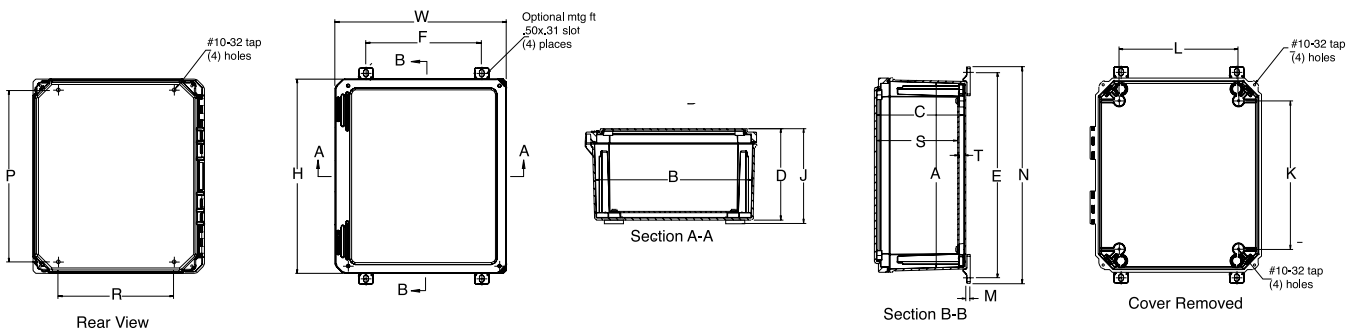
Accessories

- See pages F42-F45
- Subpanels F39-F41
- For Optional Mounting Foot Kit for Classic Series see page F42 (Ref:HW-LMTGFTKIT)

CLASSIC SERIES HINGED COVER WITH PULL LATCHES

Catalog Number	Enclosure Overall Size HxWxD	Enclosure Inside AxBxC	Mounting PxR	Weight lbs.	Carbon Steel Subpanel	Fiberglass Subpanel	Stainless Steel Subpanel	Aluminum Subpanel
HW-70705CHQR	7.21 x 7.21 x 5.09 (183 x 183 x 129)	6.65 x 6.65 x 4.84 (169 x 169 x 123)	5.71 x 5.71 (145 x 145)	3.5	HW-MP606CS	HW-MP606FG	HW-MP606SS	HW-MP606A
HW-90705CHQR	9.21 x 7.21 x 5.09 (234 x 183 x 129)	8.59 x 6.59 x 4.84 (218 x 167 x 123)	7.71 x 5.71 (196 x 145)	4.2	HW-MP806CS	HW-MP806FG	HW-MP806SS	HW-MP806A
HW-110906CHQR	11.21 x 9.21 x 6.09 (285 x 234 x 155)	10.59 x 8.59 x 5.84 (269 x 218 x 148)	9.71 x 7.71 (247 x 196)	5.9	HW-MP1008CS	HW-MP1008FG	HW-MP1008SS	HW-MP1008A
HW-131106CHQR	13.21 x 11.21 x 6.59 (336 x 285 x 167)	12.59 x 10.59 x 6.34 (320 x 269 x 161)	11.71 x 9.71 (298 x 247)	7.6	HW-MP1210CS	HW-MP1210FG	HW-MP1210SS	HW-MP1210A
HW-151307CHQR	15.21 x 13.21 x 7.09 (386 x 336 x 180)	14.55 x 12.55 x 6.84 (370 x 319 x 174)	13.71 x 11.71 (348 x 298)	11.4	HW-MP1412CS	HW-MP1412FG	HW-MP1412SS	HW-MP1412A

*Note: Subpanels must be ordered separately. Dimensions in inches (millimeters).



CLASSIC SERIES NON-MEATALLIC ENCLOSURES OPAQUE, HINGED COVER WITH QUARTER-TURN LATCH



HW-110906CHQTD

Industry Standards

- UL/cUL 50/508, Type 1, 3R, 4X, 12
- CSA Standard C22.2 Type 1, 3, 4X, 12
- NEMA Standard 250 Type 1, 3, 4X, 12
- Cover, UL94 V-0, Box, 5V flammability rating
- Non-flame propagating
- Flame Spread classification per NFPA No. 101, Class A (1)
- Temperature Range: -76°F to 274°F (-60°C to 134°C)



FEATURES-SPECIFICATIONS

Construction

- Fiberglass construction
- Impact resistance and physical strength greater than that of ABS and PVC
- Poured polyurethane seamless gasket provides water-tight, dust-tight environmental seal
- Opaque hinged cover with quarter-turn latch

- Full 180° door opening
- UV resistant
- Excellent chemical and corrosion resistance
- Rounded edges, minimal protrusions or exposed pocket area for accumulation of dust or debris
- 300 Series stainless steel used on all external hardware
- Optional mounting foot kit available

- Raised bosses with brass inserts accepting 10-32 screws for optional panel mounting
- Color: Gray

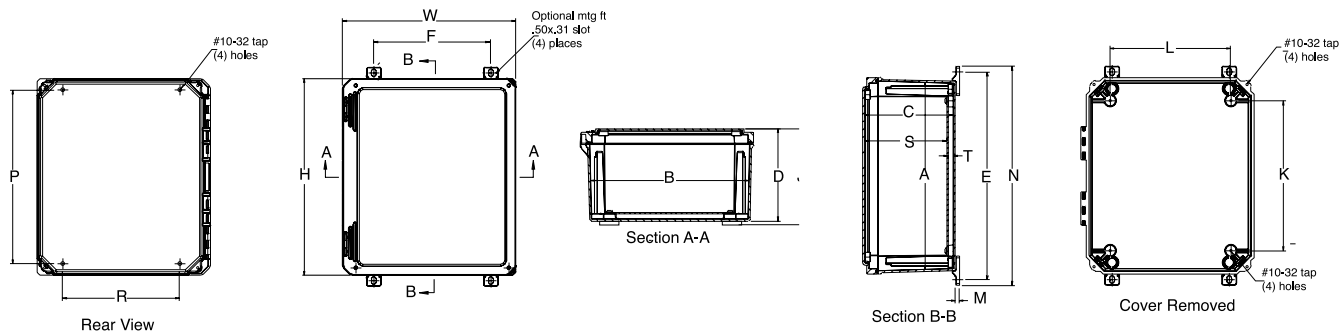
Accessories

- See pages F42-F45
- Subpanels F39-F41
- For Optional Mounting Foot Kit for Classic Series see page F42 (Ref:HW-LMTGFTKIT)

CLASSIC SERIES OPAQUE, HINGED WITH QUARTER-TURN LATCH

Catalog Number	Enclosure Overall Size HxWxD	Enclosure Inside AxBxC	Mounting PxR	Weight lbs.	Carbon Steel Subpanel	Fiberglass Subpanel	Stainless Steel Subpanel	Aluminum Subpanel
HW-70705CHQTD	7.21 x 7.21 x 5.09 (183 x 183 x 129)	6.65 x 6.65 x 4.84 (169 x 169 x 123)	5.71 x 5.71 (145 x 145)	3.5	HW-MP606CS	HW-MP606FG	HW-MP606SS	HW-MP606A
HW-90705CHQTD	9.21 x 7.21 x 5.09 (234 x 183 x 129)	8.59 x 6.59 x 4.84 (218 x 167 x 123)	7.71 x 5.71 (196 x 145)	4.2	HW-MP806CS	HW-MP806FG	HW-MP806SS	HW-MP806A
HW-110906CHQTD	11.21 x 9.21 x 6.09 (285 x 234 x 155)	10.59 x 8.59 x 5.84 (269 x 218 x 148)	9.71 x 7.71 (247 x 196)	5.9	HW-MP1008CS	HW-MP1008FG	HW-MP1008SS	HW-MP1008A
HW-131106CHQTD	13.21 x 11.21 x 6.59 (336 x 285 x 167)	12.59 x 10.59 x 6.34 (320 x 269 x 161)	11.71 x 9.71 (298 x 247)	7.6	HW-MP1210CS	HW-MP1210FG	HW-MP1210SS	HW-MP1210A
HW-151307CHQTD	15.21 x 13.21 x 7.09 (386 x 336 x 180)	14.55 x 12.55 x 6.84 (370 x 319 x 174)	13.71 x 11.71 (348 x 298)	11.4	HW-MP1412CS	HW-MP1412FG	HW-MP1412SS	HW-MP1412A

*Note: Subpanels must be ordered separately. Dimensions in inches (millimeters).



POLYCARBONATE NON-METALLIC ENCLOSURES HINGED COVER WITH PULL LATCHES

F13



HW-PCC80604CHQR



HW-P80604CHQR

Industry Standards

- Rated Type 3R, 4, 4X, 6P, 12
- Rated IEC IP66, IP68
- UL/cUL Approved
- UL 94 - Flame Rating - 5VA
- Temperature Range: -20°F to 240°F

UL FILE: E342926

FEATURES-SPECIFICATIONS

Construction

- High impact polycarbonate
- Latches and hinges do not penetrate the enclosure
- Easy to remove lid
- High performance inserts
- Integrated hasp provides a secure loop for padlock (padlock not included)
- Flush-fit side mount swing panel and DIN rail System
- Multi-directional mounting feet

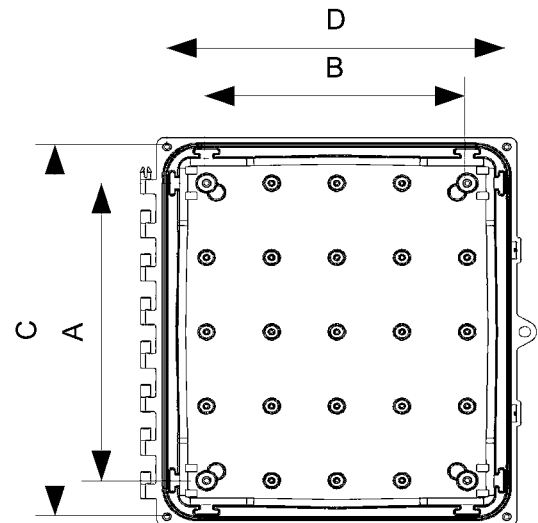
Accessories

- See pages F45

Catalog Number		Enclosure Overall Size HxWxD	Aluminum Back Panel	Swing Panel Kits (mounts, screws and panel included)
Opaque	Clear			
HW-P60604CHQR	HW-PCC60604CHQR	6x6x4	HW-MP606A	HW-P606SPK
HW-P80604CHQR	HW-PCC80604CHQR	8x6x4	HW-MP808A	HW-P806SPK
HW-P80804CHQR	HW-PCC80804CHQR	8x8x4	HW-MP806A	HW-P808SPK
HW-P100804CHQR	HW-PCC100804CHQR	10x8x4	HW-MP1008A	HW-P1008SPK
HW-P100806CHQR	HW-PCC100806CHQR	10x8x6	HW-MP1008A	HW-P1008SPK
HW-P101006CHQR	HW-PCC101006CHQR	10x10x6	HW-MP1010A	HW-P1010SPK
HW-P121006CHQR	HW-PCC121006CHQR	12x10x6	HW-MP1210A	HW-P1210SPK
HW-P141206CHQR	HW-PCC141206CHQR	14x12x6	HW-MP1412A	HW-P1412SPK
HW-P161408CHQR	HW-PCC161408CHQR	16x14x8	HW-MP1614A	HW-P1614SPK
HW-P181604CHQR	HW-PCC181604CHQR	18x16x4	HW-MP1816A	HHW-P1816SPK
HW-P181610CHQR	HW-PCC181610CHQR	18x16x10	HW-MP1816A	HW-P1816SPK
HW-P201608CHQR	HW-PCC201608CHQR	20x16x8	HW-MP2016A	HW-P2016SPK
HW-P242410CHQR	HW-PCC242410CHQR	24x24x10	HW-MP2424PCA	HW-P2424SPK

DIMENSIONS (INCHES)

Enclosure	AxB	C	D	Back Panel	Sub-Panel
6 x 6 x 4	4.25 x 4.25	6.75	6.75	4.88 x 4.88	5.63 x 5.63
8 x 6 x 4	6.25 x 4.25	8.75	6.75	6.88 x 4.88	7.63 x 5.63
8 x 8 x 4	6.25 x 6.25	8.75	8.75	—	—
10 x 8 x 6	8.25 x 6.25	10.75	8.75	—	—
10 x 10 x 6	8.25 x 8.25	10.75	10.75	—	—
10 x 8 x 4	8.25 x 6.25	10.75	8.75	8.88 x 6.88	9.63 x 7.63
12 x 10 x 6	10.25 x 8.25	12.75	10.75	10.88 x 8.88	11.63 x 9.63
14 x 12 x 6	12.25 x 10.25	14.75	12.75	12.88 x 10.88	13.63 x 11.63
16 x 14 x 8	14.25 x 12.25	16.75	14.75	14.88 x 12.88	15.63 x 13.63
18 x 16 x 4	16.25 x 14.25	18.75	16.75	—	—
18 x 16 x 10	16.25 x 14.25	18.75	16.75	16.88 x 14.88	17.63 x 13.63
20 x 16 x 8	18.25 x 14.25	20.75	16.75	—	—
24 x 24 x 10	22.25 x 22.25	24.75	24.75	22.75 x 22.75	23.63 x 23.63



**POLYCARBONATE NON-METALLIC ENCLOSURES
22MM, 30MM, AND BLANK PUSHBUTTON N4X SERIES**



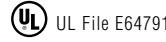
HW-PN4X2PB



HW-PN4X1PB

Industry Standards

- UL 508A Type 1, 3R, 4X, 6P, 12
- IEC 60529, IP66, IP67, IP68
- UL/cUL Approved
- UL 94 - Flame Rating - 5VA
- Temperature Range: -20°F to 240°F



FEATURES-SPECIFICATIONS

Construction

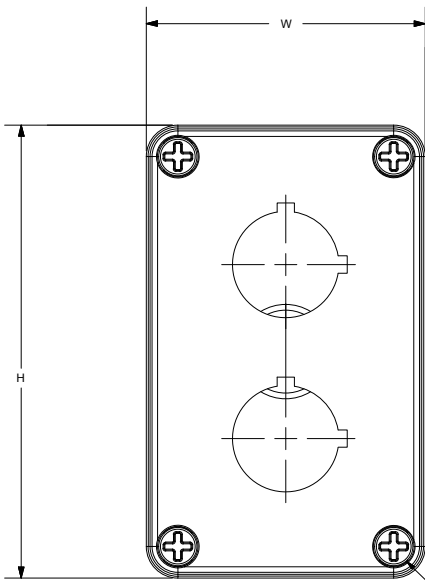
- High impact polycarbonate
- Poured seamless gasket provides water-tight and dust-tight seal
- Mounting wells located under the cover/outside the gasket area
- Lift-off cover with polycarbonate screws which are provided
- Rounded edges helps to prevent the collection of dust and debris
- Available with 22mm, 30mm, or blank pushbutton covers

Accessories

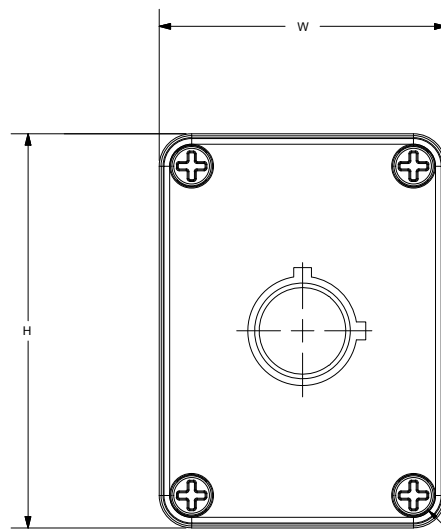
- See page F45

PUSHBUTTON N4X SERIES POLYCARBONATE NON-METALLIC ENCLOSURES

Catalog Number	PB Cutouts	Enclosure Overall Size HxWxD	Enclosure Inside HxWxD	Hole Diameter
HW-PN4X432	Blank	4.34 x 3.16 x 2.79	3.92 x 2.74 x 2.51	N/A
HW-PN4X533	Blank	5.12 x 3.16 x 3.54	4.71 x 2.74 x 3.26	N/A
HW-PN4X1PB	1	4.34 x 3.16 x 2.79	3.92 x 2.74 x 2.51	1.2
HW-PN4X2PB	2	5.12 x 3.16 x 3.54	4.71 x 2.74 x 3.26	1.2
HW-PN4X1PB-22	1	4.34 x 3.16 x 2.79	3.92 x 2.74 x 2.51	0.89
HW-PN4X2PB-22	2	5.12 x 3.16 x 3.54	4.71 x 2.74 x 3.26	0.89



COVER SCREW
CUSTOM POLYCARBONATE
(4X)



COVER SCREW
CUSTOM POLYCARBONATE
(4X)



HW-N4X1144

Industry Standards

- UL/cUL 50/508, Type 1, 3, 4X, 6P, 12
- CSA Standard C22.2 Type 1, 3, 4X, 6P, 12
- NEMA Standard 250 Type 1, 3, 4X, 6P, 12
- Temperature Range: -76°F to 274°F (-60°C to 134°C)
- Flammability Rating: UL94-5V
- Non-flame propagating



FEATURES-SPECIFICATIONS

Construction

- Hot compression molded fiberglass reinforced thermoset polyester
- Poured polyurethane seamless gasket provides water-tight dust-tight environmental seal
- NEMA 4X, 6P rating
- Workable material cuts, drills, punches and saws with ease and accuracy
- Four recessed captive stainless steel screws
- Optional mounting foot kit available
- 300 Series stainless steel used on all external hardware
- Raised bosses with brass inserts accepting 10-32 screws for optional panel mounting
- Rounded edges, minimal protrusions or exposed pocket areas for accumulation of dust or debris
- Non-corrosive in chemical exposure
- Rated water-tight and submersible for long periods
- High impact resistance
- Non-conductive double insulated material
- Lift-off cover with four cover screws
- Smooth surface, no color variations, swirls or color pockets, no voids
- Color: Gray

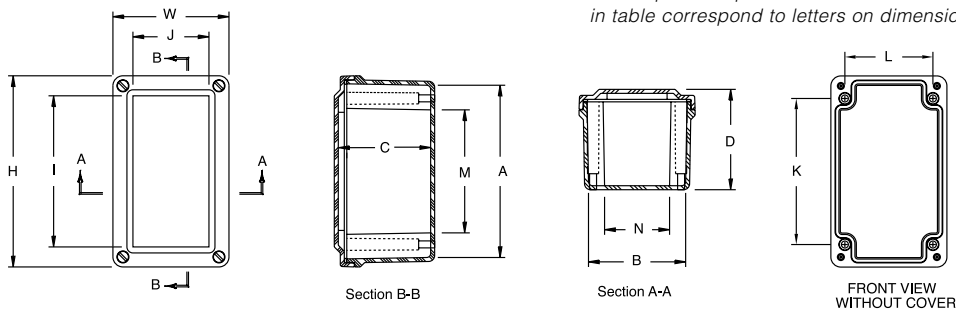
Accessories

- For Optional Mounting Foot Kit for Slim-Line Series see page F42 (Ref: HW-N4XMGFTKIT)
- See pages F42-F45

SLIM-LINE SERIES JUNCTION BOX WITH LIFT-OFF COVER

Catalog Number	Enclosure Overall Size HxWxD	Enclosure Inside AxBxC	Weight lbs.	I	J	K	L	M	N
HW-N4X332	3.72 x 3.63 x 2.95 (95 x 92 x 75)	3.13 x 3.03 x 2.70 (79 x 77 x 69)	1	3.22 (82)	2.12 (54)	2.31 (59)	2.75 (70)	1.59 (40)	2.03 (52)
HW-N4X532	5.97 x 3.63 x 3.14 (152 x 92 x 80)	5.38 x 3.03 x 2.87 (137 x 77 x 73)	1	4.72 (120)	2.38 (60)	4.56 (116)	2.75 (70)	3.84 (98)	2.03 (52)
HW-N4X644	6.63 x 3.81 x 3.89 (168 x 97 x 99)	6.00 x 3.19 x 3.63 (153 x 81 x 92)	2	5.31 (135)	2.50 (64)	4.88 (124)	2.94 (75)	4.13 (105)	2.19 (56)
HW-N4X832	8.41 x 3.63 x 3.14 (214 x 92 x 80)	7.82 x 3.03 x 2.87 (199 x 77 x 73)	2	7.16 (182)	2.38 (60)	7.00 (178)	2.75 (70)	6.28 (160)	2.03 (52)
HW-N4X844	8.88 x 3.81 x 3.89 (225 x 97 x 99)	8.26 x 3.19 x 3.63 (210 x 81 x 92)	2	7.56 (192)	2.50 (64)	7.13 (181)	2.94 (75)	6.38 (162)	2.19 (56)
HW-N4X932	9.35 x 3.63 x 3.14 (237 x 92 x 80)	8.75 x 3.03 x 2.87 (222 x 77 x 73)	2	8.10 (206)	2.38 (60)	7.94 (202)	2.75 (70)	7.22 (183)	2.03 (52)
HW-N4X1144	11.13 x 3.81 x 3.89 (283 x 97 x 99)	10.51 x 3.19 x 3.63 (267 x 81 x 92)	2	9.81 (249)	2.50 (64)	9.37 (238)	2.94 (75)	8.63 (219)	2.19 (56)
HW-N4X1432	13.78 x 3.63 x 3.14 (350 x 92 x 80)	13.19 x 3.03 x 2.87 (335 x 77 x 73)	2	12.53 (318)	2.38 (60)	12.37 (314)	2.75 (70)	11.66 (296)	2.03 (52)
HW-N4X1732	17.35 x 3.63 x 3.14 (441 x 92 x 80)	16.75 x 3.03 x 2.87 (426 x 77 x 73)	3	16.10 (409)	2.50 (64)	15.94 (405)	2.75 (70)	15.22 (387)	2.03 (52)

Note: No Subpanel required. Dimensions in inches (millimeters); letters in table correspond to letters on dimensional drawings.



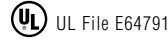
SLIM-LINE SERIES NON-METALLIC ENCLOSURES JUNCTION BOX WITH OPAQUE FOUR SCREW COVER



HW-N4X763SC

Industry Standards

- UL/cUL 50/508, Type 1, 3, 4X, 6P, 12
- CSA Standard C22.2 Type 1, 3, 4X, 6P, 12
- NEMA Standard 250 Type 1, 3, 4X, 6P, 12
- Temperature Range: -76°F to 274°F (-60°C to 134°C)
- Flammability Rating: UL94-5V
- Non-flame propagating



FEATURES-SPECIFICATIONS

Construction

- Hot compression molded fiberglass reinforced thermoset polyester
- Poured polyurethane seamless gasket provides water-tight dust-tight environmental seal
- NEMA 4X 6P rating
- Workable material cuts, drills, punches and saws with ease and accuracy
- Four recessed captive stainless steel screws
- 300 Series stainless steel used on all external hardware

- Raised bosses with brass inserts accepting 10-32 screws for optional panel mounting
- Rounded edges, minimal protrusions or exposed pocket areas for accumulation of dust or debris
- Non-corrosive in chemical exposure
- Rated water-tight and submersible for long periods
- High impact resistance
- Non-conductive double insulated material
- Lift-off cover with four cover screws

- Smooth surface, no color variations, swirls or color pockets, no voids
- Optional carbon steel back panel available
- Color: Gray

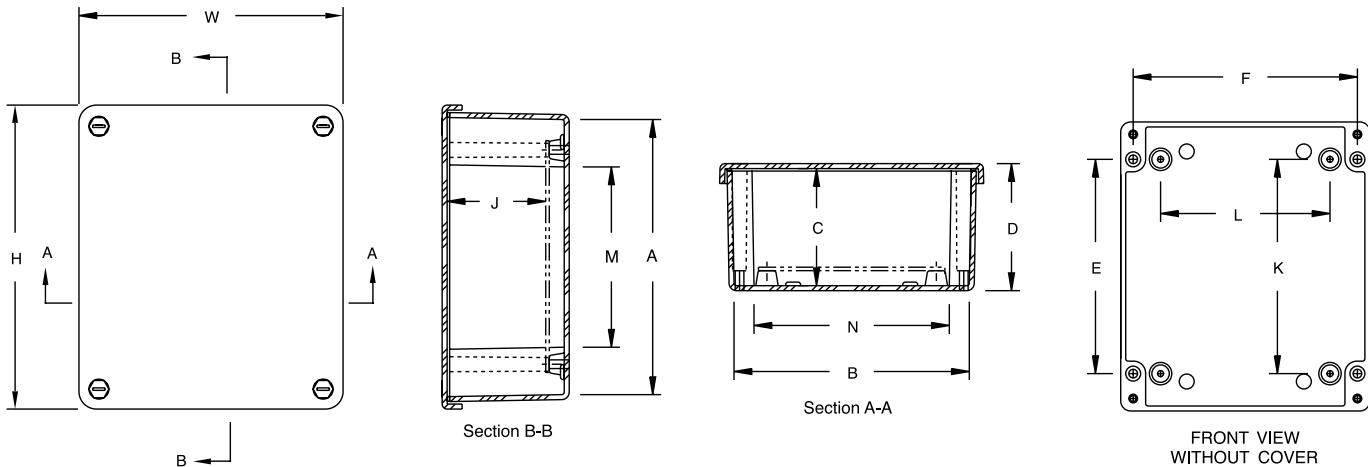
Accessories

- See pages F42-F45
- Subpanels F39-F41

SLIM-LINE SERIES JUNCTION BOX WITH OPAQUE SCREW COVER

Catalog Number	Enclosure Overall Size HxWxD	Enclosure Inside AxBxC	Weight lbs.	Carbon Steel Subpanel	Mounting Feet ExF	J	K	L	M	N
HW-N4X763SC	7.63 x 6.63 x 3.19 (194 x 168 x 81)	6.90 x 5.90 x 2.88 (175 x 150 x 73)	3	HW-MP706CS	5.37 x 5.63 (137 x 143)	2.48 (63)	5.37 (137)	4.25 (108)	4.52 (115)	4.9 (124)
HW-N4X963SC	9.87 x 6.63 x 3.19 (251 x 168 x 81)	9.15 x 5.90 x 2.88 (232 x 150 x 73)	3	HW-MP906CS	7.62 x 5.63 (194 x 143)	2.48 (63)	7.62 (194)	4.25 (108)	6.77 (172)	4.9 (124)

Note: Subpanels must be ordered separately. Dimensions in inches (millimeters); letters in table correspond to letters on dimensional drawings.





HW-N4X1PB

Industry Standards

- UL/cUL 50/508, Type 1, 3, 4X, 6P, 12
- CSA Standard C22.2 Type 1, 3, 4X, 6P, 12
- NEMA Standard 250 Type 1, 3, 4X, 6P, 12
- Temperature Range: -76°F to 274°F (-60°C to 134°C)
- Flammability Rating: UL94-5V
- Non-flame propagating



FEATURES-SPECIFICATIONS

Construction

- Hot compression molded fiberglass reinforced thermoset polyester
- Poured polyurethane seamless gasket provides water-tight, dust-tight environmental seal
- Recessed captive stainless steel screws
- 300 Series stainless steel used on all external hardware

- Workable material cuts, drills, punches and saws with ease and accuracy
- **Optional** mounting foot kit available
- Rounded edges, minimal protrusions or exposed pocket area for accumulation of dust or debris
- Metal grounding strap
- Submersible, non-corrosive environmental design
- Lift-off cover with four cover screws

- Non-conductive, impact resistant, 7 UV resistant
- Smooth surface, no color variations, swirls or color pockets, no voids
- Color: Gray

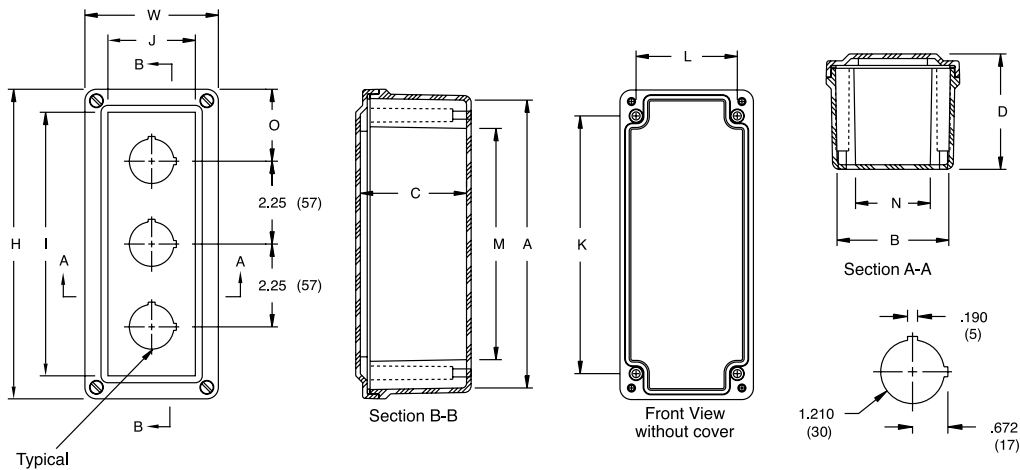
Accessories

- For Optional Mounting Foot Kit for In-Line Series see page F42 (Ref: HW-N4XMGFTKIT)
- See pages F42-F45

30MM PUSHBUTTON IN-LINE SERIES WITH LIFT-OFF COVER

Catalog Number	PB Cutouts	Enclosure Overall Size HxWxD	Enclosure Inside AxBxC	Weight lbs.	I	J	K	L	M	N	O
HW-N4X1PB	1	6.63 x 3.81 x 3.89 (168 x 97 x 99)	6.00x3.19x 3.63 (153x81x92)	2	5.31 (135)	2.5 (64)	4.88 (124)	2.94 (75)	4.13 (105)	2.19 (56)	3.31 (84)
HW-N4X2PB	2	6.63 x 3.81 x 3.89 (168 x 97 x 99)	6.00x3.19x3.63 (153x81x92)	2	5.31 (135)	2.5 (64)	4.88 (124)	2.94 (75)	4.13 (105)	2.19 (56)	2.19 (56)
HW-N4X3PB	3	8.88 x 3.81 x 3.89 (225 x 97 x 99)	8.26x3.19x3.63 (210x81x92)	2	7.56 (192)	2.5 (64)	7.13 (181)	2.94 (75)	6.38 (162)	2.19 (56)	2.19 (56)
HW-N4X4PB	4	11.13 X 3.81 X 3.89 (283 X 97 X 99)	10.51x3.19x3.63 (267x81x92)	2	9.81 (249)	2.5 (64)	9.37 (238)	2.94 (75)	8.63 (219)	2.19 (56)	2.19 (56)
HW-N4X5PB	5	13.78 x 3.63 x 3.14 (350 x 92 x 80)	13.19x3.03x2.87 (335x77x73)	2	12.53 (318)	2.38 (60)	12.37 (314)	2.75 (70)	11.66 (296)	2.03 (52)	2.39 (61)
HW-N4X6PB	6	17.35 x 3.63 x 3.14 (441 x 92 x 80)	16.75x3.03x2.87 (426x77x73)	3	16.1 (409)	2.38 (60)	15.94 (405)	2.75 (70)	15.22 (387)	2.03 (52)	3.05 (77)

Note: Dimensions in inches (millimeters); letters in table correspond to letters on dimensional drawings.



PUSHBUTTON IN-LINE SERIES NON-METALLIC ENCLOSURES 22MM PUSHBUTTON IN-LINE WITH LIFT-OFF COVER



HW-N4X1PB-22

Industry Standards

- UL/cUL 50/508, Type 1, 3, 4X, 6P, 12
- CSA Standard C22.2 Type 1, 3, 4X, 6P, 12
- NEMA Standard 250 Type 1, 3, 4X, 6P, 12
- Temperature Range: -76°F to 274°F (-60°C to 134°C)
- Flammability Rating: UL94-5V
- Non-flame propagating



FEATURES-SPECIFICATIONS

Construction

- Hot compression molded fiberglass reinforced thermoset polyester
- Poured polyurethane seamless gasket provides water-tight, dust-tight environmental seal
- Recessed captive stainless steel screws
- 300 Series stainless steel used on all external hardware
- Workable material cuts, drills, punches and saws with ease and accuracy
- **Optional** mounting foot kit available
- Rounded edges, minimal protrusions or exposed pocket area for accumulation of dust or debris
- Metal grounding strap
- Submersible, non-corrosive environmental design
- Lift-off cover with four cover screws
- Non-conductive, impact resistant, UV resistant
- Smooth surface, no color variations, swirls or color pockets, no voids
- Color: Gray

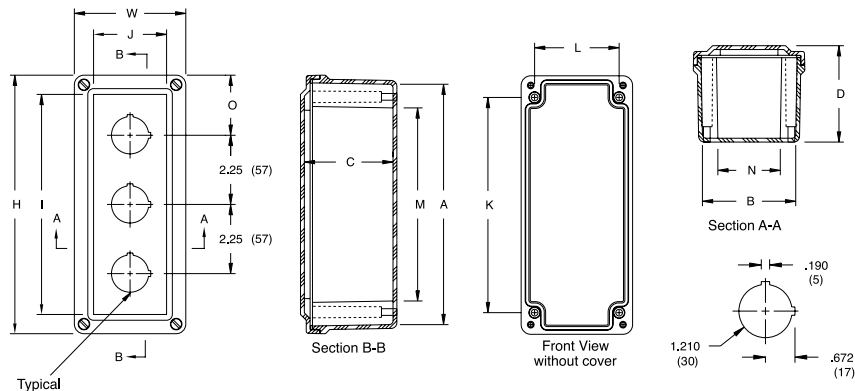
Accessories

- For Optional Mounting Foot Kit for In-Line Series see page F42 (Ref: HW-N4XMGFTKIT)
- See pages F42-F45

22MM PUSHBUTTON IN-LINE SERIES WITH LIFT-OFF COVER

Catalog Number	PB Cutouts	Enclosure Overall Size HxWxD	Enclosure Inside AxBxC	Weight lbs.	I	J	K	L	M	N	O
HW-N4X1PB-22	1	6.63 x 3.81 x 3.89 (168 x 97 x 99)	6.00 x 3.19 x 3.63 (153 x 81 x 92)	2	5.31 (135)	2.5 (64)	4.88 (124)	2.94 (75)	4.13 (105)	2.19 (56)	3.31 (84)
HW-N4X2PB-22	2	6.63 x 3.81 x 3.89 (168 x 97 x 99)	6.00 x 3.19 x 3.63 (153 x 81 x 92)	2	5.31 (135)	2.5 (64)	4.88 (124)	2.94 (75)	4.13 (105)	2.19 (56)	2.53 (64)
HW-N4X3PB-22	3	6.63 x 3.81 x 3.89 (168 x 97 x 99)	6.00 x 3.19 x 3.63 (153 x 81 x 92)	2	5.31 (135)	2.5 (64)	4.88 (124)	2.94 (75)	4.13 (105)	2.19 (56)	1.75 (44)
HW-N4X4PB-22	4	8.88 x 3.81 x 3.89 (225 x 97 x 99)	8.26 x 3.19 x 3.63 (210 x 81 x 92)	2	7.56 (192)	2.5 (64)	7.13 (181)	2.94 (75)	6.38 (162)	2.19 (56)	2.09 (53)
HW-N4X5PB-22	5	11.13 X 3.81 X 3.89 (283 X 97 X 99)	10.51 x 3.19 x 3.63 (267 x 81 x 92)	2	9.81 (249)	2.5 (64)	9.37 (238)	2.94 (75)	8.63 (219)	2.19 (56)	2.44 (62)
HW-N4X6PB-22	6	11.13 X 3.81 X 3.89 (283 X 97 X 99)	10.51 x 3.19 x 3.63 (267 x 81 x 92)	3	9.81 (249)	2.5 (64)	9.37 (238)	2.94 (75)	8.63 (219)	2.19 (56)	1.66 (42)

Note: Subpanels must be ordered separately. Dimensions in inches (millimeters); letters in table correspond to letters on dimensional drawings.





HW-N4X4PBW

Industry Standards

- UL/cUL 50/508, Type 1, 3, 4X, 6P, 12
- CSA Standard C22.2 Type 1, 3, 4X, 6P, 12
- NEMA Standard 250 Type 1, 3, 4X, 6P, 12
- Temperature Range: -76°F to 274°F (-60°C to 134°C)
- Flammability Rating: UL94-5V
- Non-flame propagating



FEATURES-SPECIFICATIONS

Construction

- Hot compression molded fiberglass reinforced thermoset polyester
- Poured polyurethane seamless gasket provides water-tight, dust-tight environmental seal
- Recessed captive stainless steel screws
- 300 Series stainless steel used on all external hardware
- Integral mounting flange for easy mounting

- Rounded edges, minimal protrusions or exposed pocket areas for accumulation of dust or debris
- Raised bosses with brass inserts accepting 10-32 screws for optional panel mounting
- Stainless steel beaded cover retention chain
- Metal grounding strap
- Submersible, non-corrosive environmental design

- Lift-off cover with four screws
- Non-conductive, impact resistant, UV resistant
- Smooth surface, no color variations, swirls or color pockets, no voids
- Color: Gray

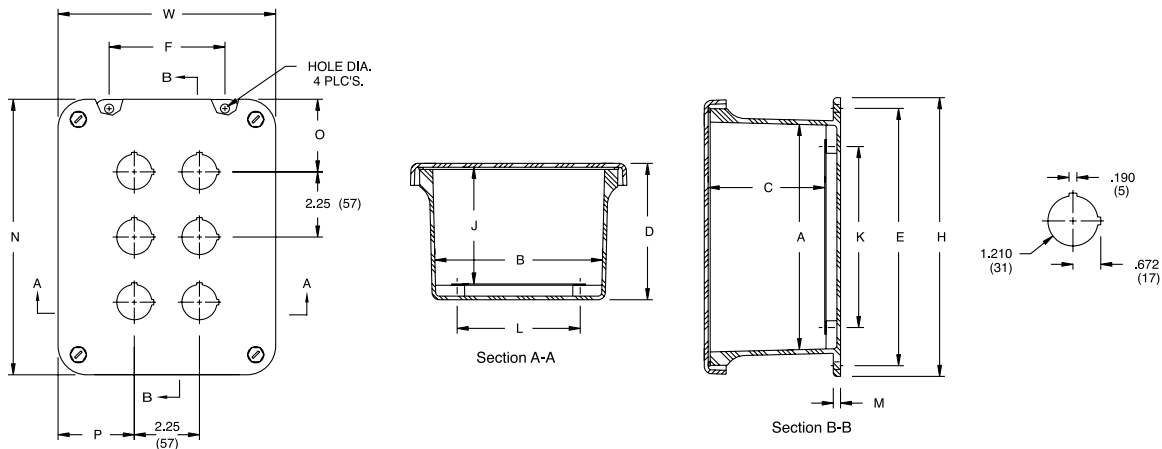
Accessories

- See pages F42-F45

30MM MULTI-HOLE PUSHBUTTON SERIES WITH LIFT-OFF COVER

Catalog Number	PB Cutouts	Enclosure Overall Size HxWxD	Enclosure Inside AxBxC	Mounting ExF	Hole Diameter	J	K	L	M	N	O	P
HW-N4X4PBW	4	7.50 x 7.50 x 4.75 (91 x 191 x 121)	5.72 x 5.72 x 4.45 (145 x 145 x 113)	6.75 x 4 (171 x 101)	0.31 (8)	4 (101)	4.25 (108)	4.25 (108)	0.25 (6)	7.52 (191)	2.64 (67)	2.64 (67)
HW-N4X6PBW	6	9.62 x 7.50 x 4.74 (244 x 191 x 121)	7.73 x 5.74 x 4.45 (196 x 146 x 113)	8.88 x 4 (225 x 101)	0.31 (8)	4 (101)	6.25 (159)	4.25 (108)	0.25 (6)	9.5 (242)	2.64 (67)	2.51 (64)
HW-N4X9PBW	9	11.62 x 9.41 x 4.25 (295 x 239 x 108)	9.73 x 7.73 x 3.98 (247 x 196 x 101)	10.75 x 6 (273 x 152)	0.31 (8)	3.5 (89)	8.25 (209)	6.25 (159)	0.25 (6)	11.35 (288)	3.43 (87)	2.45 (62)

Note: Subpanels must be ordered separately. Dimensions in inches (millimeters); letters in table correspond to letters on dimensional drawings.



**JIC SERIES NON-METALLIC ENCLOSURES
OPAQUE, LIFT-OFF COVER WITH FOUR SCREWS**



**HW-J100805SC
CROWNED COVER MODEL SHOWN**

Industry Standards

- UL/cUL 50/508, Type 1, 3, 4X, 6P, 12
- CSA Standard C22.2 Type 1, 3, 4X, 6P, 12
- IP66, NEMA Standard 250 Type 1, 3, 4X, 6P, 12
- Temperature Range: -76°F to 274°F (-60°C to 134°C)
- Flammability Rating: UL94-5V
- Non-flame propagating



FEATURES-SPECIFICATIONS

Construction

- Hot compression molded fiberglass reinforced thermoset polyester
- Poured polyurethane seamless gasket provides water-tight, dust-tight environmental seal
- Recessed pan head screws – no protruding surfaces
- 300 Series stainless used on all external hardware
- Rounded edges, minimal protrusions or exposed pocket area for

accumulation of dust or debris

- Molded in flange for easy mounting
- Panel mounting capability for fixed rear panel
- Raised bosses with brass inserts accepting 10-32 screws for optional panel mounting
- Stainless steel beaded cover retention chain
- Workable material cuts, drills, punches and saws with ease and

accuracy

- Submersible, non-corrosive environmental design
- Lift-off cover
- Non-conductive, impact resistant, UV resistant
- Smooth surface, no color variations, swirls or color pockets, no voids

Accessories

- See pages F42-F45
- Subpanels F39-F41

JIC SERIES WITH OPAQUE, LIFT-OFF FOUR SCREW COVER

Catalog Number	Enclosure Overall Size HxWxD	Enclosure Inside AxBxC	Weight lbs.	Carbon Steel Subpanel	Fiberglass Subpanel	Stainless Steel Subpanel	Aluminum Subpanel
HW-J60404SC	7.50 x 5.43 x 4.75 (191 x 138 x 121)	5.84 x 3.85 x 4.45 (148 x 98 x 113)	2.5	HW-MP604CS	HW-MP604FG	HW-MP604SS	HW-MP604A
HW-J60604SC	7.50 x 7.50 x 4.75 (191 x 191 x 121)	5.72 x 5.72 x 4.45 (145 x 145 x 113)	2.8	HW-MP606CS	HW-MP606FG	HW-MP606SS	HW-MP606A
HW-J80604SC	9.62 x 7.50 x 4.74 (244 x 191 x 121)	7.73 x 5.74 x 4.45 (196 x 146 x 113)	3.5	HW-MP806CS	HW-MP806FG	HW-MP806SS	HW-MP806A
HW-J80804SC	9.56 x 9.38 x 4.87 (243 x 238 x 124)	7.73 x 7.73 x 4.62 (196 x 196 x 117)	3.8	HW-MP808CS	HW-MP808FG	HW-MP808SS	HW-MP808A
HW-J100804SC	11.62 x 9.41 x 4.25 (295 x 239 x 108)	9.73 x 7.73 x 3.98 (247 x 196 x 101)	5	HW-MP1008CS	HW-MP1008FG	HW-MP1008SS	HW-MP1008A
HW-J100805SC (crowned cover)*	11.62 x 9.37 x 5.06 (295 x 238 x 129)	9.73 x 7.73 x 4.83 (247 x 196 x 123)	5	HW-MP1008CS	HW-MP1008FG	HW-MP1008SS	HW-MP1008A
HW-J100806SC	11.97 x 9.42 x 6.50 (304 x 239 x 165)	9.74 x 7.74 x 6.25 (248 x 197 x 159)	5.2	HW-MP1008CS	HW-MP1008FG	HW-MP1008SS	HW-MP1008A
HW-J121005SC	13.56 x 11.43 x 5.21 (344 x 291 x 132)	11.79 x 9.80 x 4.94 (299 x 249 x 125)	6.5	HW-MP1210CS	HW-MP1210FG	HW-MP1210SS	HW-MP1210A
HW-J121206SC	13.56 x 13.38 x 6.34 (344 x 340 x 160)	11.70 x 11.70 x 6.10 (297 x 297 x 155)	8.4	HW-MP1212CS	HW-MP1212FG	HW-MP1212SS	HW-MP1212A
HW-J140706SC	15.87 x 8.75 x 6.81 (403 x 22 x 173)	14.00 x 7.00 x 6.56 (356 x 178 x 167)	6.1	HW-MP1407CS	HW-MP1407FG	HW-MP1407SS	HW-MP1407A
HW-J141206SC	15.50 x 13.50 x 6.25 (394 x 343 x 159)	13.53 x 11.55 x 5.94 (344 x 293 x 151)	8.5	HW-MP1412CS	HW-MP1412FG	HW-MP1412SS	HW-MP1412A
HW-J161406SC	17.53 x 15.46 x 6.23 (445 x 393 x 158)	15.63 x 13.60 x 5.94 (397 x 345 x 151)	11.5	HW-MP1614CS	HW-MP1614FG	HW-MP1614SS	HW-MP1614A
HW-J181608SC	19.62 x 17.61 x 8.82 (498 x 447 x 224)	17.69 x 15.69 x 8.45 (449 x 399 x 215)	19.3	HW-MP1816CS	HW-MP1816FG	HW-MP1816SS	HW-MP1816A
HW-J201608SC	22.00 x 17.68 x 8.83 (559 x 449 x 224)	19.72 x 15.72 x 8.45 (501 x 399 x 215)	20.3	HW-MP2016CS	HW-MP2016FG	HW-MP2016SS	HW-MP2016A

Note: Subpanels must be ordered separately. Dimensions in inches (millimeters).

*Note: In crowned cover units, the center of the cover is raised 3/4". Crowned cover is available only in 10x8x5 size enclosure.

**JIC SERIES NON-METALLIC ENCLOSURES
OPAQUE OR WHITE, HINGED COVER WITH TWO SCREWS**



HW-J100804CHSC



HW-WHJ60404CHSC

Industry Standards

- UL/cUL 50/508, Type 1, 3, 3S, 12, 13, 4X
- CSA Standard C22.2 Type 1, 3, 3S, 12, 13, 4X
- NEMA Standard 250 Type 1, 3, 3S, 12, 13, 4X
- IEC 60529 IP66
- UL94 5V flammability rating
- Non-flame propagating
- Flame Spread classification per NFPA No. 101, Class A (1)
- Temperature Range: -76°F to 274°F (-60°C to 134°C)



FEATURES-SPECIFICATIONS

Construction

- Hot compression molded fiberglass reinforced thermoset polyester
- Poured polyurethane seamless gasket provides water-tight, dust-tight environmental seal
- Recessed pan head screws – no protruding surfaces
- 300 Series stainless steel used on all external hardware
- Rounded edges, minimal protrusions or exposed pocket area for accumulation of dust or debris
- Molded in flange for easy mounting
- Panel mounting capability for fixed rear panel
- Raised bosses with brass inserts accepting 10-32 screws for optional panel mounting
- Workable material cuts, drills, punches and saws with ease and accuracy
- Submersible, non-corrosive environmental design
- Full 180° door opening
- Non-conductive, impact resistant, UV resistant
- Smooth surface, no color variations, swirls or color pockets, no voids
- Color: Gray or White

Accessories

- See pages F42-F45
- Subpanels F39-F41

JIC SERIES OPAQUE OR WHITE WITH HINGED TWO SCREW COVER

Opaque	White	Enclosure Overall Size HxWxD	Enclosure Inside AxBxC	Weight lbs.	Carbon Steel Subpanel	Fiberglass Subpanel	Stainless Steel Subpanel	Aluminum Subpanel
HW-J60404CHSC	HW-WHJ60404CHSC	7.50 x 5.43 x 4.75 (191 x 138 x 121)	5.84 x 3.85 x 4.45 (148 x 98 x 113)	2.5	HW-MP604CS	HW-MP604FG	HW-MP604SS	HW-MP604A
HW-J60604CHSC	HW-WHJ60604CHSC	7.50 x 7.50 x 4.75 (191 x 191 x 121)	5.72 x 5.72 x 4.45 (145 x 145 x 113)	2.8	HW-MP606CS	HW-MP606FG	HW-MP606SS	HW-MP606A
HW-J80604CHSC	HW-WHJ80604CHSC	9.62 x 7.50 x 4.74 (244 x 191 x 121)	7.73 x 5.74 x 4.45 (196 x 146 x 113)	3.5	HW-MP806CS	HW-MP806FG	HW-MP806SS	HW-MP806A
HW-J80804CHSC	—	9.56 x 9.38 x 4.87 (243 x 238 x 124)	7.73 x 7.73 x 4.62 (196 x 196x117)	3.8	HW-MP808CS	HW-MP808FG	HW-MP808SS	HW-MP808A
HW-J100804CHSC	HW-WHJ100804CHSC	11.62 x 9.41 x 4.25 (295 x 239 x 108)	9.73 x 7.73 x 3.98 (247 x 196 x 101)	5	HW-MP1008CS	HW-MP1008FG	HW-MP1008SS	HW-MP1008A
HW-J100805CHSC (crowned cover)*	—	11.62 x 9.37 x 5.06 (295 x 238 x 129)	9.73 x 7.73 x 4.83 (247 x 196 x 123)	5	HW-MP1008CS	HW-MP1008FG	HW-MP1008SS	HW-MP1008A
HW-J100806CHSC	—	11.97 x 9.42 x 6.50 (304 x 239x165)	9.74 x 7.74 x 6.25 (248 x 197 x 159)	5.2	HW-MP1008CS	HW-MP1008FG	HW-MP1008SS	HW-MP1008A
HW-J121005CHSC	HW-WHJ121005CHSC	13.56 x 11.43 x 5.21 (344 x 291 x 132)	11.79 x 9.80 x 4.94 (299 x 249 x 125)	6.5	HW-MP1210CS	HW-MP1210FG	HW-MP1210SS	HW-MP1210A
HW-J121206CHSC	—	13.56 x 13.38 x 6.34 (344 x 340 x 160)	11.70 x 11.70 x 6.10 (297 x 297 x 155)	8.4	HW-MP1212CS	HW-MP1212FG	HW-MP1212SS	HW-MP1212A
HW-J140706CHSC	—	15.87 x 8.75 x 6.81 (403 x 222x173)	14.00 x 7.00 x 6.56 (356 x 178 x 167)	6.1	HW-MP1407CS	HW-MP1407FG	HW-MP1407SS	HW-MP1407A
HW-J141206CHSC	HW-WHJ141206CHSC	15.50 x 13.50 x 6.25 (394 x 343 x 159)	13.53 x 11.55 x 5.94 (344 x 293 x 151)	8.5	HW-MP1412CS	HW-MP1412FG	HW-MP1412SS	HW-MP1412A
HW-J161406CHSC	HW-WHJ161406CHSC	17.53 x 15.46 x 6.23 (445 x 393 x 158)	15.63 x 13.60 x 5.94 (397 x 345 x 151)	11.5	HW-MP1614CS	HW-MP1614FG	HW-MP1614SS	HW-MP1614A
HW-J181608CHSC	HW-WHJ181608CHSC	19.62 x 17.61 x 8.82 (498 x 447 x 224)	17.69 x 15.69 x 8.45 (449 x 399 x 215)	19.3	HW-MP1816CS	HW-MP1816FG	HW-MP1816SS	HW-MP1816A
HW-J201608CHSC	HW-WHJ201608CHSC	22.00 x 17.68 x 8.83 (559 x 449 x 224)	19.72 x 15.72 x 8.45 (501 x 399 x 215)	20.3	HW-MP2016CS	HW-MP2016FG	HW-MP2016SS	HW-MP2016A

Note: Subpanels must be ordered separately. Dimensions in inches (millimeters). (For Dimensional Drawings see page F32)

*Note: In crowned cover units, the center of the cover is raised 3/4". Crowned cover is available only in 10x8x5 size enclosure.

**JIC SERIES NON-METALLIC ENCLOSURES
OPAQUE OR WHITE, HINGED COVER WITH PULL LATCHES**



HW-J121005CHQR



HW-WHJ60404CHQR

Industry Standards

- UL/cUL 50/508, Type 1, 3, 4X, 6P, 12
- CSA Standard C22.2 Type 1, 3, 4X, 6P, 12
- IP66, NEMA Standard 250 Type 1, 3, 4X, 6P, 12
- Temperature Range: -76°F to 274°F (-60°C to 134°C)
- Flammability Rating: UL94-5V
- Non-flame propagating



FEATURES-SPECIFICATIONS

Construction

- Hot compression molded fiberglass reinforced thermoset polyester
- Poured polyurethane seamless gasket provides water-tight, dust-tight environmental seal
- Recessed pan head screws – no protruding surfaces
- 300 Series stainless steel used on all external hardware
- Rounded edges, minimal protrusions or exposed pocket areas for accumulation of dust or debris

- Molded in flange for easy mounting
- Panel mounting capability for fixed rear panel
- Raised bosses with brass inserts accepting 10-32 screws for optional panel mounting
- Workable material cuts, drills, punches and saws with ease and accuracy
- Submersible, non-corrosive environmental design

- Integral hasp provides secure loop for padlock (padlock not included)
- Non-conductive, impact resistant, UV resistant
- Smooth surface, no color variations, swirls or color pockets, no voids
- Color: Gray or White

Accessories

- See pages F42-F45
- Subpanels F39-F41

JIC SERIES OPAQUE OR WHITE, HINGED WITH PULL LATCHES

Opaque	White	Enclosure Overall Size HxWxD	Enclosure Inside AxBxC	Weight lbs.	Carbon Steel Subpanel	Fiberglass Subpanel	Stainless Steel Subpanel	Aluminum Subpanel
HW-J60404CHQR	HW-WHJ60404CHQR	7.50 x 5.43 x 4.75 (191 x 138 x 121)	5.84 x 3.85 x 4.45 (148 x 98 x 113)	2.5	HW-MP604CS	HW-MP604FG	HW-MP604SS	HW-MP604A
HW-J60604CHQR	HW-WHJ60604CHQR	7.50 x 7.50 x 4.75 (191 x 191 x 121)	5.72 x 5.72 x 4.45 (145 x 145 x 113)	2.8	HW-MP606CS	HW-MP606FG	HW-MP606SS	HW-MP606A
HW-J80604CHQR	HW-WHJ80604CHQR	9.62 x 7.50 x 4.74 (244 x 191 x 121)	7.73 x 5.74 x 4.45 (196 x 146 x 113)	3.5	HW-MP806CS	HW-MP806FG	HW-MP806SS	HW-MP806A
HW-J80804CHQR	—	9.56 x 9.38 x 4.87 (243 x 238 x 124)	7.73 x 7.73 x 4.62 (196 x 196 x 117)	3.8	HW-MP808CS	HW-MP808FG	HW-MP808SS	HW-MP808A
HW-J100804CHQR	HW-WHJ100804CHQR	11.62 x 9.41 x 4.25 (295 x 239 x 108)	9.73 x 7.73 x 3.98 (247 x 196 x 101)	5	HW-MP1008CS	HW-MP1008FG	HW-MP1008SS	HW-MP1008A
HW-J100806CHQR	—	11.97 x 9.42 x 6.50 (304 x 239 x 165)	9.74 x 7.74 x 6.25 (248 x 197 x 159)	5.2	HW-MP1008CS	HW-MP1008FG	HW-MP1008SS	HW-MP1008A
HW-J121005CHQR	HW-WHJ121005CHQR	13.56 x 11.43 x 5.21 (344 x 291 x 132)	11.79 x 9.80 x 4.94 (299 x 249 x 125)	6.5	HW-MP1210CS	HW-MP1210FG	HW-MP1210SS	HW-MP1210A
HW-J121206CHQR	—	13.56 x 13.38 x 6.34 (344 x 340 x 160)	11.70 x 11.70 x 6.10 (297 x 297 x 155)	8.4	HW-MP1212CS	HW-MP1212FG	HW-MP1212SS	HW-MP1212A
HW-J140706CHQR	—	15.87 x 8.75 x 6.81 (403 x 22 x 173)	14.00 x 7.00 x 6.56 (356 x 178 x 167)	6.1	HW-MP1407CS	HW-MP1407FG	HW-MP1407SS	HW-MP1407A
HW-J141206CHQR	HW-WHJ141206CHQR	15.50 x 13.50 x 6.25 (394 x 343 x 159)	13.53 x 11.55 x 5.94 (344 x 293 x 151)	8.5	HW-MP1412CS	HW-MP1412FG	HW-MP1412SS	HW-MP1412A
HW-J161406CHQR	HW-WHJ161406CHQR	17.53 x 15.46 x 6.23 (445 x 393 x 158)	15.63 x 13.60 x 5.94 (397 x 345 x 151)	11.5	HW-MP1614CS	HW-MP1614FG	HW-MP1614SS	HW-MP1614A
HW-J181608CHQR	HW-WHJ181608CHQR	19.62 x 17.61 x 8.82 (498 x 447 x 224)	17.69 x 15.69 x 8.45 (449 x 399 x 215)	19.3	HW-MP1816CS	HW-MP1816FG	HW-MP1816SS	HW-MP1816A
HW-J201608CHQR	HW-WHJ201608CHQR	22.00 x 17.68 x 8.83 (559 x 449 x 224)	19.72 x 15.72 x 8.45 (501 x 399 x 215)	20.3	HW-MP2016CS	HW-MP2016FG	HW-MP2016SS	HW-MP2016A
HW-J202010CHQR	—	20.3 x 20.3 x 11.75 (516 x 516 x 298)	19.8 x 19.8 x 11.25 (503 x 503 x 286)	30	HW-MP2020CS	HW-MP2020FG	HW-MP2020SS	HW-MP2020A
HW-J242010CHQR	—	24.2 x 20.3 x 11.75 (615 x 516 x 298)	23.7 x 19.8 x 11.25 (602 x 503 x 286)	36	HW-MP2420CS	HW-MP2420FG	HW-MP2420SS	HW-MP2420A
HW-J242410CHQR	—	24.2 x 24.2 x 11.75 (615 x 615 x 298)	23.7 x 23.7 x 11.25 (602 x 602 x 286)	42	HW-MP2424CS	HW-MP2424FG	HW-MP2424SS	HW-MP2424A

Note: Subpanels must be ordered separately. Dimensions in inches (millimeters). (For Dimensional Drawings see page F32)



HW-J100804CHQRW

Industry Standards

- UL/cUL 50/508, Type 1, 3, 4X, 6P, 12
- CSA Standard C22.2 Type 1, 3, 4X, 6P, 12
- NEMA Standard 250 Type 1, 3, 4X, 6P, 12
- Temperature Range: -76°F to 274°F (-60°C to 134°C)
- Flammability Rating: UL94-5V
- Window flammability: UL94 HB
- Non-flame propagating



FEATURES-SPECIFICATIONS

Construction

- Hot compression molded fiberglass reinforced thermoset polyester
- Poured polyurethane seamless gasket provides water-tight, dust-tight environmental seal
- Full length stainless steel hinge
- 300 Series stainless steel used on all external hardware
- Rounded edges, minimal protrusions or exposed pocket area for accumulation of dust or debris
- Molded-in flange for easy mounting

- Panel mounting capability for fixed rear panel
- Raised bosses with brass inserts accepting 10-32 screws for optional panel mounting
- Workable material cuts, drills, punches and saws with ease and accuracy
- Padlock latches (padlock not included)
- Snap catch concept with toggle action
- Scratch and abrasion resistant UVA

- acrylic flush bonded window
- Submersible, non-corrosive environmental design
- Full 180° door opening
- Non-conductive, impact resistant, UV resistant
- Smooth surface, no color variations, swirls or color pockets, no voids
- Color: Gray

Accessories

- See pages F42-F45
- Subpanels F39-F41

JIC SERIES WITH TWO PULL LATCHES AND WINDOW

Catalog Number	Enclosure Overall Size HxWxD	Enclosure Inside AxBxC	Window Area (Max.)	Weight lbs.	Carbon Steel Subpanel	Fiberglass Subpanel	Stainless Steel Subpanel	Aluminum Subpanel
HW-J60404CHQRW	7.50 x 5.43 x 4.75 (191 x 138 x 121)	5.84 x 3.85 x 4.45 (148 x 98 x 113)	4.25 x 2.25 (108 x 57)	2.5	HW-MP604CS	HW-MP604FG	HW-MP604SS	HW-MP604A
HW-J60604CHQRW	7.50 x 7.50 x 4.75 (191 x 191 x 121)	5.72 x 5.72 x 4.45 (145 x 145 x 113)	4.25 x 4.25 (108 x 108)	2.8	HW-MP606CS	HW-MP606FG	HW-MP606SS	HW-MP606A
HW-J80604CHQRW	9.62 x 7.50 x 4.74 (244 x 191 x 121)	7.73 x 5.74 x 4.45 (196 x 146 x 113)	6.25 x 4.25 (159 x 108)	3.5	HW-MP806CS	HW-MP806FG	HW-MP806SS	HW-MP806A
HW-J100804CHQRW	11.62 x 9.41 x 4.25 (295 x 239 x 108)	9.73 x 7.73 x 3.98 (247 x 196 x 101)	8.25 x 6.25 (210 x 159)	5	HW-MP1008CS	HW-MP1008FG	HW-MP1008SS	HW-MP1008A
HW-J100806CHQRW	11.97 x 9.42 x 6.50 (304 x 239 x 165)	9.74 x 7.74 x 6.25 (248 x 197 x 159)	8.25 x 6.25 (210 x 159)	5.2	HW-MP1008CS	HW-MP1008FG	HW-MP1008SS	HW-MP1008A
HW-J121005CHQRW	13.56 x 11.43 x 5.21 (344 x 291 x 132)	11.79 x 9.80 x 4.94 (299 x 249 x 125)	10.25 x 8.25 (260 x 210)	6.5	HW-MP1210CS	HW-MP1210FG	HW-MP1210SS	HW-MP1210A
HW-J141206CHQRW	15.50 x 13.50 x 6.25 (394 x 343 x 159)	13.53 x 11.55 x 5.94 (344 x 293 x 151)	12.25 x 10.25 (311 x 260)	8.5	HW-MP1412CS	HW-MP1412FG	HW-MP1412SS	HW-MP1412A
HW-J161406CHQRW	17.53 x 15.46 x 6.23 (445 x 393 x 158)	15.63 x 13.60 x 5.94 (397 x 345 x 151)	14.25 x 12.25 (362 x 311)	11.5	HW-MP1614CS	HW-MP1614FG	HW-MP1614SS	HW-MP1614A
HW-J181608CHQRW	19.62 x 17.61 x 8.82 (498 x 447 x 224)	17.69 x 15.69 x 8.45 (449 x 399 x 215)	16.25 x 14.25 (413 x 362)	19.3	HW-MP1816CS	HW-MP1816FG	HW-MP1816SS	HW-MP1816A
HW-J181610CHQRW	19.62 x 17.61 x 11.62 (498 x 447 x 295)	17.69 x 15.69 x 9.73 (449 x 399 x 247)	16.25 x 14.25 (413 x 362)	19.8	HW-J181610CS	HW-J181610FG	HW-J181610SS	HW-J181610A
HW-J201608CHQRW	22.00 x 17.68 x 8.83 (559 x 449 x 224)	19.72 x 15.72 x 8.45 (501 x 399 x 215)	18.25 x 14.25 (463 x 413)	20.3	HW-MP2016CS	HW-MP2016FG	HW-MP2016SS	HW-MP2016A

Note: Subpanels must be ordered separately. Dimensions in inches (millimeters). (For Dimensional Drawings see page F32)

**JIC SERIES NON-METALLIC ENCLOSURES
OPAQUE, HINGED COVER WITH TWIST LATCHES**



HW-J121005CHTLW



HW-J60404CHTL

Industry Standards

- UL/cUL 50/508, Type 1, 3, 4X, 6P, 12
- CSA Standard C22.2 Type 1, 3, 4X, 6P, 12
- NEMA Standard 250 Type 1, 3, 4X, 6P, 12
- Temperature Range: -76°F to 274°F (-60°C to 134°C)
- Flammability Rating: UL94-5V
- Window flammability: UL94 HB
- Non-flame propagating



FEATURES-SPECIFICATIONS

Construction

- Hot compression molded fiberglass reinforced thermoset polyester
- Poured polyurethane seamless gasket provides water-tight, dust-tight environmental seal
- Full length stainless steel hinge
- 300 Series stainless steel used on all external hardware
- Rounded edges, minimal protrusions or exposed pocket area for accumulation of dust or debris
- Molded in flange for easy mounting

- Panel mounting capability for fixed rear panel
- Raised bosses with brass inserts accepting 10-32 screws for optional panel mounting
- Workable material cuts, drills, punches and saws with ease and accuracy
- Twist latch for quick entry
- Latch lies flat on side of enclosure
- Scratch and abrasion resistant UVA acrylic flush bonded window
- Submersible, non-corrosive environmental design

- Full 180° door opening
- Non-conductive, impact resistant, UV resistant
- Smooth surface, no color variations, swirls or color pockets, no voids
- Color: Gray

Accessories

- See pages F42-F45
- Subpanels F39-F41

JIC SERIES HINGED COVER WITH TWIST LATCHES

Catalog Number		Enclosure Overall Size HxWxD	Enclosure Inside AxBxC	Weight lbs.	Carbon Steel Subpanel	Fiberglass Subpanel	Stainless Steel Subpanel	Aluminum Subpanel
W/O Window	With Window							
HW-J60404CHTL	HW-J60404CHTLW	7.50 x 5.43 x 4.75 (191 x 138 x 121)	5.84 x 3.85 x 4.45 (148 x 98 x 113)	2.5	HW-MP604CS	HW-MP604FG	HW-MP604SS	HW-MP604A
HW-J60604CHTL	HW-J60604CHTLW	7.50 x 7.50 x 4.75 (191 x 191 x 121)	5.72 x 5.72 x 4.45 (145 x 145 x 113)	2.8	HW-MP606CS	HW-MP606FG	HW-MP606SS	HW-MP606A
HW-J80604CHTL	HW-J80604CHTLW	9.62 x 7.50 x 4.74 (244 x 191 x 121)	7.73 x 5.74 x 4.45 (196 x 146 x 113)	3.5	HW-MP806CS	HW-MP806FG	HW-MP806SS	HW-MP806A
HW-J80804CHTL	—	9.56 x 9.38 x 4.87 (243 x 238 x 124)	7.73x7.73x4.62 (196 x 196 x 117)	3.8	HW-MP808CS	HW-MP808FG	HW-MP808SS	HW-MP808A
HW-J100804CHTL	HW-J100804CHTLW	11.62 x 9.41 x 4.25 (295 x 239 x 108)	9.73 x 7.73 x 3.98 (247 x 196 x 101)	5	HW-MP1008CS	HW-MP1008FG	HW-MP1008SS	HW-MP1008A
HW-J100805CHTL (crowned cover)*	HW-J100805CHTLW (crowned cover)*	11.62 x 9.37 x 5.06 (295 x 238 x 129)	9.73 x 7.73 x 4.83 (247 x 196 x 123)	5	HW-MP1008CS	HW-MP1008FG	HW-MP1008SS	HW-MP1008A
HW-J100806CHTL	HW-J100806CHTLW	11.97 x 9.42 x 6.50 (304 x 239 x 165)	9.74 x 7.74 x 6.25 (248 x 197 x 159)	5.2	HW-MP1008CS	HW-MP1008FG	HW-MP1008SS	HW-MP1008A
HW-J121005CHTL	HW-J121005CHTLW	13.56 x 11.43 x 5.21 (344 x 291 x 132)	11.79 x 9.80 x 4.94 (299 x 249 x 125)	6.5	HW-MP1210CS	HW-MP1210FG	HW-MP1210SS	HW-MP1210A
HW-J121206CHTL	—	13.56 x 13.38 x 6.34 (344 x 340 x 160)	11.70 x 11.70 x 6.10 (297 x 297 x 155)	8.4	HW-MP1212CS	HW-MP1212FG	HW-MP1212SS	HW-MP1212A
HW-J140706CHTL	—	15.87 x 8.75 x 6.81 (403 x 22 x 173)	14.00 x 7.00 x 6.56 (356 x 178 x 167)	6.1	HW-MP1407CS	HW-MP1407FG	HW-MP1407SS	HW-MP1407A
HW-J141206CHTL	HW-J141206CHTLW	15.50 x 13.50 x 6.25 (394 x 343 x 159)	13.53 x 11.55 x 5.94 (344 x 293 x 151)	8.5	HW-MP1412CS	HW-MP1412FG	HW-MP1412SS	HW-MP1412A
HW-J161406CHTL	HW-J161406CHTLW	17.53 x 15.46 x 6.23 (445 x 393 x 158)	15.63 x 13.60 x 5.94 (397 x 345 x 151)	11.5	HW-MP1614CS	HW-MP1614FG	HW-MP1614SS	HW-MP1614A
HW-J181608CHTL	HW-J181608CHTLW	19.62 x 17.61 x 8.82 (498 x 447 x 224)	17.69 x 15.69 x 8.45 (449 x 399 x 215)	19.3	HW-MP1816CS	HW-MP1816FG	HW-MP1816SS	HW-MP1816A
HW-J201608CHTL	HW-J201608CHTLW	22.00 x 17.68 x 8.83 (559 x 449 x 224)	19.72 x 15.72 x 8.45 (501 x 399 x 215)	20.3	HW-MP2016CS	HW-MP2016FG	HW-MP2016SS	HW-MP2016A

Note: Subpanels must be ordered separately. Dimensions in inches (millimeters). (For Dimensional Drawings see page F32)
*Note: In crowned cover units, the center of the cover is raised 3/4". Crowned cover is available only in 10x8x5 size enclosure.



HW-J80808XD

Industry Standards

- UL/cUL 50/508, Type 1, 3, 4X, 6P, 12
- CSA Standard C22.2 Type 1, 3, 4X, 6P, 12
- NEMA Standard 250 Type 1, 3, 4X, 6P, 12
- Temperature Range: -76°F to 274°F (-60°C to 134°C)
- Flammability Rating: UL94-5V
- Window flammability: UL94 HB
- Non-flame propagating



FEATURES-SPECIFICATIONS

Construction

- Hot compression molded fiberglass reinforced thermoset polyester
- Poured polyurethane seamless gasket provides water-tight, dust-tight environmental seal
- Full length stainless steel hinge
- 300 Series stainless steel used on all external hardware
- Rounded edges, minimal protrusions or exposed pocket area for accumulation of dust or debris
- Molded-in flange for easy mounting

- Panel mounting capability for fixed rear panel
- Raised bosses with brass inserts accepting 10-32 screws for optional panel mounting
- Workable material cuts, drills, punches and saws with ease and accuracy
- Padlock latches (padlock not included)
- Snap catch concept with toggle action

- Submersible, non-corrosive environmental design
- Full 180° door opening
- Non-conductive, impact resistant, UV resistant
- Smooth surface, no color variations, swirls or color pockets, no voids
- Color: Gray

Accessories

- See pages F42-F45
- Subpanels F39-F41

JIC SERIES OPAQUE, EXTENDED DEPTH WITH PULL LATCHES

Catalog Number	Enclosure Overall Size HxWxD	Enclosure Inside AxBxC	Weight lbs.	Carbon Steel Subpanel	Fiberglass Subpanel	Stainless Steel Subpanel	Aluminum Subpanel
HW-J80608XD	9.63 x 6.85 x 9.06 (245 x 174 x 230)	7.73 x 5.74 x 8.94 (196 x 146 x 227)	5.3	HW-MP604CS	HW-MP604FG	HW-MP604SS	HW-MP604A
HW-J80808XD	9.56 x 8.84 x 9.44 (243 x 225 x 240)	7.73 x 7.73 x 9.19 (196 x 196 x 233)	5.8	HW-MP606CS	HW-MP606FG	HW-MP606SS	HW-MP606A
HW-J100808XD	11.63 x 8.84 x 8.09 (295 x 225 x 205)	9.73 x 7.73 x 7.84 (247 x 196 x 199)	6.5	HW-MP806CS	HW-MP806FG	HW-MP806SS	HW-MP806A
HW-J121010XD	13.56 x 10.93 x 10.06 (344 x 278 x 256)	11.79 x 9.8 x 9.81 (299 x 249 x 249)	9.1	HW-MP1210CS	HW-MP1210FG	HW-MP1210SS	HW-MP1210A
HW-J121212XD	13.56 x 12.84 x 12.38 (344 x 326 x 314)	11.79 x 9.8 x 9.81 (299 x 249 x 249)	12.1	HW-MP1212CS	HW-MP1212FG	HW-MP1212SS	HW-MP1212A
HW-J141212XD	15.5 x 12.83 x 12.06 (394 x 326 x 306)	13.5 x 11.52 x 11.81 (343 x 293 x 300)	14.1	HW-MP1412CS	HW-MP1412FG	HW-MP1412SS	HW-MP1412A
HW-J161412XD	17.53 x 14.94 x 12.07 (445 x 379 x 306)	15.6 x 13.56 x 11.82 (396 x 344 x 300)	17.6	HW-MP1614CS	HW-MP1614FG	HW-MP1614SS	HW-MP1614A
HW-J181617XD	19.63 x 16.92 x 17.19 (499 x 430 x 437)	17.69 x 15.69 x 16.81 (449 x 399 x 427)	26.4	HW-MP1816CS	HW-MP1816FG	HW-MP1816SS	HW-MP1816A
HW-J201617XD	22 x 17 x 17.21 (559 x 432 x 437)	19.72 x 15.72 x 16.84 (501 x 399 x 428)	28.5	HW-MP2016CS	HW-MP2016FG	HW-MP2016SS	HW-MP2016A

Note: Subpanels must be ordered separately. Dimensions in inches (millimeters). (For Dimensional Drawings see page F32)

**JIC SERIES NON-METALLIC ENCLOSURES
OPAQUE, RAISED LIFT-OFF COVER WITH FOUR SCREWS**



HW-RHJ60405SC

Industry Standards

- UL/cUL 50/508, Type 1, 3, 4X, 6P, 12
- CSA Standard C22.2 Type 1, 3, 4X, 6P, 12
- IP66, NEMA Standard 250 Type 1, 3, 4X, 6P, 12
- Temperature Range: -76°F to 274°F (-60°C to 134°C)
- Flammability Rating: UL94-5V
- Non-flame propagating



FEATURES-SPECIFICATIONS

Construction

- Hot compression molded fiberglass reinforced thermoset polyester
- Poured polyurethane seamless gasket provides water-tight, dust-tight environmental seal
- Recessed pan head screws – no protruding surfaces
- 300 Series stainless used on all external hardware
- Rounded edges, minimal protrusions or exposed pocket area for accumulation of dust or debris

- Molded in flange for easy mounting
- Panel mounting capability for fixed rear panel
- Raised bosses with brass inserts accepting 10-32 screws for optional panel mounting
- Stainless steel beaded cover retention chain
- Workable material cuts, drills, punches and saws with ease and accuracy
- Submersible, non-corrosive environmental design

- Non-conductive, impact resistant, UV resistant
- Smooth surface, no color variations, swirls or color pockets, no voids

Accessories

- See pages F42-F45
- Subpanels F39-F41

JIC SERIES OPAQUE, RAISED FOUR SCREW COVER

Catalog Number	Enclosure Overall Size HxWxD	Enclosure Inside AxBxC	Weight lbs.	Carbon Steel Subpanel	Fiberglass Subpanel	Stainless Steel Subpanel	Aluminum Subpanel
HW-RHJ60405SC	7.47 x 5.47 x 6.21 (190 x 139 x 158)	5.84 x 3.85 x 5.95 (148 x 98 x 151)	2.6	HW-MP604CS	HW-MP604FG	HW-MP604SS	HW-MP604A
HW-RHJ60606SC	7.50 x 7.53 x 6.32 (191 x 191 x 161)	5.72 x 5.72 x 5.97 (145 x 145 x 152)	3.1	HW-MP606CS	HW-MP606FG	HW-MP606SS	HW-MP606A
HW-RHJ80606SC	9.63 x 7.52 x 6.20 (245 x 191 x 158)	7.73 x 5.74 x 5.95 (196 x 146 x 151)	3.7	HW-MP806CS	HW-MP806FG	HW-MP806SS	HW-MP806A
HW-RHJ100806SC	11.63 x 9.37 x 6.58 (295 x 238 x 167)	9.73 x 7.73 x 6.33 (247 x 196 x 161)	5.2	HW-MP1008CS	HW-MP1008FG	HW-MP1008SS	HW-MP1008A
HW-RHJ121006SC	13.56 x 11.43 x 6.58 (344 x 291 x 167)	11.79 x 9.80 x 6.32 (299 x 249 x 161)	6.7	HW-MP1210CS	HW-MP1210FG	HW-MP1210SS	HW-MP1210A
HW-RHJ141207SC	15.50 x 13.38 x 7.69 (394 x 340 x 195)	13.50 x 11.52 x 7.45 (343 x 293 x 189)	10.2	HW-MP1412CS	HW-MP1412FG	HW-MP1412SS	HW-MP1412A
HW-RHJ161407SC	17.53 x 15.43 x 7.68 (445 x 392 x 195)	15.60 x 13.56 x 7.45 (396 x 344 x 189)	12.3	HW-MP1614CS	HW-MP1614FG	HW-MP1614SS	HW-MP1614A

Note: Subpanels must be ordered separately. Dimensions in inches (millimeters). (For Dimensional Drawings see page F32)



HW-RHJ60405CHSC

Industry Standards

- UL/cUL 50/508, Type 1, 3, 3S, 12, 13, 4X
- CSA Standard C22.2 Type 1, 3, 3S, 12, 13, 4X
- NEMA Standard 250 Type 1, 3, 3S, 12, 13, 4X
- IEC 60529 IP66
- UL94 5V flammability rating
- Non-flame propagating
- Flame Spread classification per NFPA No. 101, Class A (1)
- Temperature Range: -76°F to 274°F (-60°C to 134°C)



FEATURES-SPECIFICATIONS

Construction

- Hot compression molded fiberglass reinforced thermoset polyester
- Poured polyurethane seamless gasket provides water-tight, dust-tight environmental seal
- Recessed pan head screws – no protruding surfaces
- 300 Series stainless steel used on all external hardware
- Rounded edges, minimal protrusions or exposed pocket area for accumulation of dust or debris

- Molded in flange for easy mounting
- Panel mounting capability for fixed rear panel
- Raised bosses with brass inserts accepting 10-32 screws for optional panel mounting
- Workable material cuts, drills, punches and saws with ease and accuracy
- Submersible, non-corrosive environmental design
- Full length stainless steel hinged cover

- Full 180° door opening
- Non-conductive, impact resistant, UV resistant
- Smooth surface, no color variations, swirls or color pockets, no voids
- Color: Gray

Accessories

- See pages F42-F45
- Subpanels F39-F41

JIC SERIES OPAQUE, RAISED TWO SCREW COVER

Catalog Number	Enclosure Overall Size HxWxD	Enclosure Inside AxBxC	Weight lbs.	Carbon Steel Subpanel	Fiberglass Subpanel	Stainless Steel Subpanel	Aluminum Subpanel
HW-RHJ60405CHSC	7.47 x 5.47 x 6.21 (190 x 139 x 158)	5.84 x 3.85 x 5.95 (148 x 98 x 151)	2.6	HW-MP604CS	HW-MP604FG	HW-MP604SS	HW-MP604A
HW-RHJ60606CHSC	7.50 x 7.53 x 6.32 (191 x 191 x 161)	5.72 x 5.72 x 5.97 (145 x 145 x 152)	3.1	HW-MP606CS	HW-MP606FG	HW-MP606SS	HW-MP606A
HW-RHJ80606CHSC	9.63 x 7.52 x 6.20 (245 x 191 x 158)	7.73 x 5.74 x 5.95 (196 x 146 x 151)	3.7	HW-MP806CS	HW-MP806FG	HW-MP806SS	HW-MP806A
HW-RHJ100806CHSC	11.63 x 9.37 x 6.58 (295 x 238 x 167)	9.73 x 7.73 x 6.33 (247 x 196 x 161)	5.2	HW-MP1008CS	HW-MP1008FG	HW-MP1008SS	HW-MP1008A
HW-RHJ121006CHSC	13.56 x 11.43 x 6.58 (344 x 291 x 167)	11.79 x 9.80 x 6.32 (299 x 249 x 161)	6.7	HW-MP1210CS	HW-MP1210FG	HW-MP1210SS	HW-MP1210A
HW-RHJ141207CHSC	15.50 x 13.38 x 7.69 (394 x 340 x 195)	13.50 x 11.52 x 7.45 (343 x 293 x 189)	10.2	HW-MP1412CS	HW-MP1412FG	HW-MP1412SS	HW-MP1412A
HW-RHJ161407CHSC	17.53 x 15.43 x 7.68 (445 x 392 x 195)	15.60 x 13.56 x 7.45 (396 x 344 x 189)	12.3	HW-MP1614CS	HW-MP1614FG	HW-MP1614SS	HW-MP1614A
HW-RHJ181610CHSC	19.63 X 17.48 X 10.63 (499 X 444 X 270)	17.69 X 15.69 X 10.31 (449 X 399 X 262)	19.5	HW-MP1816CS	HW-MP1816FG	HW-MP1816SS	HW-MP1816A
HW-RHJ201610CHSC	22.00 X 17.56 X 10.63 (559 X 446 X 270)	19.72 X 15.72 X 10.33 (501 X 399 X 262)	21.4	HW-MP2016CS	HW-MP2016FG	HW-MP2016SS	HW-MP2016A

Note: Subpanels must be ordered separately. Dimensions in inches (millimeters). (For Dimensional Drawings see page F32)

**JIC SERIES NON-METALLIC ENCLOSURES
OPAQUE, RAISED HINGED COVER WITH PULL LATCHES**



HW-RHJ60405CHQRW



HW-RHJ60405CHQR

Industry Standards

- UL/cUL 50/508, Type 1, 3, 4X, 6P, 12
- CSA Standard C22.2 Type 1, 3, 4X, 6P, 12
- IP66, NEMA Standard 250 Type 1, 3, 4X, 6P, 12
- Temperature Range: -76°F to 274°F (-60°C to 134°C)
- Flammability Rating UL94-5V
- Window Flammability UL94 HB
- Non-flame propagating



FEATURES-SPECIFICATIONS

Construction

- Hot compression molded fiberglass reinforced thermoset polyester
- Poured polyurethane seamless gasket provides water-tight, dust-tight environmental seal
- Recessed pan head screws – no protruding surfaces
- 300 Series stainless steel used on all external hardware
- Rounded edges, minimal protrusions or exposed pocket areas for accumulation of dust or debris

- Molded in flange for easy mounting
- Panel mounting capability for fixed rear panel
- Raised bosses with brass inserts accepting 10-32 screws for optional panel mounting
- Workable material cuts, drills, punches and saws with ease and accuracy
- Submersible, non-corrosive environmental design

- Full length stainless steel hinged cover
- Integral hasp provides secure loop for padlock (padlock not included)
- Non-conductive, impact resistant, UV resistant
- Smooth surface, no color variations, swirls or color pockets, no voids
- Color: Gray

Accessories

- See pages F42-F45
- Subpanels F39-F41

JIC SERIES OPAQUE RAISED HINGED COVER WITH PULL LATCHES

Catalog Number		Enclosure Overall Size HxWxD	Enclosure Inside AxBxC	Weight lbs.	Carbon Steel Subpanel	Fiberglass Subpanel	Stainless Steel Subpanel	Aluminum Subpanel
W/O Window	With Window							
HW-RHJ60405CHQR	HW-RHJ60405CHQRW	7.47 x 5.47 x 6.21 (190 x 139 x 158)	5.84 x 3.85 x 5.95 (148 x 98 x 151)	2.6	HW-MP604CS	HW-MP604FG	HW-MP604SS	HW-MP604A
HW-RHJ60606CHQR	HW-RHJ60606CHQRW	7.50 x 7.53 x 6.32 (191 x 191 x 161)	5.72 x 5.72 x 5.97 (145 x 145 x 152)	3.1	HW-MP606CS	HW-MP606FG	HW-MP606SS	HW-MP606A
HW-RHJ80806CHQR	HW-RHJ80606CHQRW	9.63 x 7.52 x 6.20 (245 x 191 x 158)	7.73 x 5.74 x 5.95 (196 x 146 x 151)	3.7	HW-MP806CS	HW-MP806FG	HW-MP806SS	HW-MP806A
HW-RHJ100806CHQR	HW-RHJ100806CHQRW	11.63 x 9.37 x 6.58 (295 x 238 x 167)	9.73 x 7.73 x 6.33 (247 x 196 x 161)	5.2	HW-MP1008CS	HW-MP1008FG	HW-MP1008SS	HW-MP1008A
HW-RHJ121006CHQR	HW-RHJ121006CHQRW	13.56 x 11.43 x 6.58 (344 x 291 x 167)	11.79 x 9.80 x 6.32 (299 x 249 x 161)	6.7	HW-MP1210CS	HW-MP1210FG	HW-MP1210SS	HW-MP1210A
HW-RHJ121207CHQR	—	13.56 x 13.56 x 7.69 (344 x 344 x 195)	11.79 x 11.79 x 7.45 (299 x 299 x 189)	7.9	HW-MP1212CS	HW-MP1212FG	HW-MP1212SS	HW-MP1212A
HW-RHJ141207CHQR	HW-RHJ141207CHQRW	15.50 x 13.38 x 7.69 (394 x 340 x 195)	13.50 x 11.52 x 7.45 (343 x 293 x 189)	10.2	HW-MP1412CS	HW-MP1412FG	HW-MP1412SS	HW-MP1412A
HW-RHJ161407CHQR	HW-RHJ161407CHQRW	17.53 x 15.43 x 7.68 (445 x 392 x 195)	15.60 x 13.56 x 7.45 (396 x 344 x 189)	12.3	HW-MP1614CS	HW-MP1614FG	HW-MP1614SS	HW-MP1614A
HW-RHJ181610CHQR	HW-RHJ181610CHQRW	19.63 X 17.48 X 10.63 (499 X 444 X 270)	17.69 X 15.69 X 10.31 (449 X 399 X 262)	19.5	HW-MP1816CS	HW-MP1816FG	HW-MP1816SS	HW-MP1816A
HW-RHJ201610CHQR	HW-RHJ201610CHQRW	22.00 X 17.56 X 10.63 (559 X 446 X 270)	19.72 X 15.72 X 10.33 (501 X 399 X 262)	21.4	HW-MP2016CS	HW-MP2016FG	HW-MP2016SS	HW-MP2016A

Note: Subpanels must be ordered separately. Dimensions in inches (millimeters). (For Dimensional Drawings see page F32)

JIC SERIES NON-METALLIC ENCLOSURES OPAQUE, RAISED HINGED COVER WITH TWIST LATCHES

F29



HW-RHJ60405CHTL

HW-RHJ100806CHTLW

Industry Standards

- UL/cUL 50/508, Type 1, 3, 4X, 6P, 12
- CSA Standard C22.2 Type 1, 3, 4X, 6P, 12
- NEMA Standard 250 Type 1, 3, 4X, 6P, 12
- Temperature Range: -76°F to 274°F (-60°C to 134°C)
- Flammability Rating: UL94-5V
- Window flammability: UL94 HB
- Non-flame propagating



FEATURES-SPECIFICATIONS

Construction

- Hot compression molded fiberglass reinforced thermoset polyester
- Poured polyurethane seamless gasket provides water-tight, dust-tight environmental seal
- Full length stainless steel hinge
- 300 Series stainless steel used on all external hardware
- Rounded edges, minimal protrusions or exposed pocket area for accumulation of dust or debris
- Molded in flange for easy mounting
- Panel mounting capability for fixed rear panel
- Raised bosses with brass inserts accepting 10-32 screws for optional panel mounting
- Workable material cuts, drills, punches and saws with ease and accuracy
- Twist latch for quick entry
- Latch lies flat on side of enclosure
- Scratch and abrasion resistant UVA acrylic flush bonded window
- Submersible, non-corrosive environmental design
- Full 180° door opening
- Non-conductive, impact resistant, UV resistant
- Smooth surface, no color variations, swirls or color pockets, no voids
- Color: Gray

Accessories

- See pages F42-F45
- Subpanels F39-F41

JIC SERIES OPAQUE RAISED HINGED COVER WITH TWIST LATCHES

Catalog Number		Enclosure Overall Size HxWxD	Enclosure Inside AxBxC	Weight lbs.	Carbon Steel Subpanel	Fiberglass Subpanel	Stainless Steel Subpanel	Aluminum Subpanel
W/O Window	With Window							
HW-RHJ60405CHTL	—	7.47 x 5.47 x 6.21 (190 x 139 x 158)	5.84 x 3.85 x 5.95 (148 x 98 x 151)	2.6	HW-MP604CS	HW-MP604FG	HW-MP604SS	HW-MP604A
HW-RHJ60606CHTL	—	7.50 x 7.53 x 6.32 (191 x 191 x 161)	5.72 x 5.72 x 5.97 (145 x 145 x 152)	3.1	HW-MP606CS	HW-MP606FG	HW-MP606SS	HW-MP606A
HW-RHJ80606CHTL	—	9.63 x 7.52 x 6.20 (245 x 191 x 158)	7.73 x 5.74 x 5.95 (196 x 146 x 151)	3.7	HW-MP806CS	HW-MP806FG	HW-MP806SS	HW-MP806A
HW-RHJ100806CHTL	HW-RHJ100806CHTLW	11.63 x 9.37 x 6.58 (295 x 238 x 167)	9.73 x 7.73 x 6.33 (247 x 196 x 161)	5.2	HW-MP1008CS	HW-MP1008FG	HW-MP1008SS	HW-MP1008A
HW-RHJ121006CHTL	HW-RHJ121006CHTLW	13.56 x 11.43 x 6.58 (344 x 291 x 167)	11.79 x 9.80 x 6.32 (299 x 249 x 161)	6.7	HW-MP1210CS	HW-MP1210FG	HW-MP1210SS	HW-MP1210A
HW-RHJ121207CHTL	—	13.56 x 13.56 x 7.69 (344 x 344 x 195)	11.79 x 11.79 x 7.45 (299 x 299 x 189)	7.9	HW-MP1212CS	HW-MP1212FG	HW-MP1212SS	HW-MP1212A
HW-RHJ141207CHTL	HW-RHJ141207CHTLW	15.50 x 13.38 x 7.69 (394 x 340 x 195)	13.50 x 11.52 x 7.45 (343 x 293 x 189)	10.2	HW-MP1412CS	HW-MP1412FG	HW-MP1412SS	HW-MP1412A
HW-RHJ161407CHTL	HW-RHJ161407CHTLW	17.53 x 15.43 x 7.68 (445 x 392 x 195)	15.60 x 13.56 x 7.45 (396 x 344 x 189)	12.3	HW-MP1614CS	HW-MP1614FG	HW-MP1614SS	HW-MP1614A
HW-RHJ181610CHTL	HW-RHJ181610CHTLW	19.63 x 17.48 x 10.63 (499 x 444 x 270)	17.69 x 15.69 x 10.31 (449 x 399 x 262)	19.5	HW-MP1816CS	HW-MP1816FG	HW-MP1816SS	HW-MP1816A
HW-RHJ201610CHTL	—	22.00 x 17.56 x 10.63 (559 x 446 x 270)	19.72 x 15.72 x 10.33 (501 x 399 x 262)	21.4	HW-MP2016CS	HW-MP2016FG	HW-MP2016SS	HW-MP2016A

Note: Subpanels must be ordered separately. Dimensions in inches (millimeters). (For Dimensional Drawings see page F32)

**JIC SERIES NON-METALLIC ENCLOSURES
OPAQUE, HINGED COVER WITH 3-POINT LATCH**



HW-J2420103PT

Industry Standards

- UL/cUL 50/508, Type 1, 3, 4X, 6P, 12
- CSA Standard C22.2 Type 1, 3, 4X, 6P, 12
- IP66, NEMA Standard 250 Type 1, 3, 4X, 6P, 12
- Temperature Range: -76°F to 274°F (-60°C to 134°C)
- Flammability Rating: UL94-5V
- Non-flame propagating



FEATURES-SPECIFICATIONS

Construction

- Hot compression molded fiberglass reinforced thermoset polyester
- Poured polyurethane seamless gasket provides water-tight, dust-tight environmental seal
- Recessed pan head screws – no protruding surfaces
- 300 Series stainless used on all external hardware
- Rounded edges, minimal protrusions or exposed pocket area for accumulation of dust or debris

- Molded in flange for easy mounting
- Panel mounting capability for fixed rear panel
- Raised bosses with brass inserts accepting 10-32 screws for optional panel mounting
- Workable material cuts, drills, punches and saws with ease and accuracy
- Submersible, non-corrosive environmental design
- Non-conductive, impact resistant, UV resistant

- Smooth surface, no color variations, swirls or color pockets, no voids

Accessories

- See pages F42-F45
- Subpanels F39-F41

JIC SERIES OPAQUE, HINGED WITH 3-POINT LATCH

Catalog Number	Enclosure Overall Size HxWxD	Enclosure Inside AxBxC	Weight lbs.	Carbon Steel Subpanel	Fiberglass Subpanel	Stainless Steel Subpanel	Aluminum Subpanel
HW-J2020103PT	23.5 X 22.12 X 11.7 (597 x 562 x 284)	19.8 x 19.8 x 11.25 (503 x 503 x 286)	30	HW-MP2020CS	HW-MP2020FG	HW-MP2020SS	HW-MP2020A
HW-J2420103PT	27.5 X 22.12 X 11.7 (699 x 562 x 284)	23.7 x 19.8 x 11.25 (602 x 503 x 286)	36	HW-MP2420CS	HW-MP2420FG	HW-MP2420SS	HW-MP2420A
HW-J2424103PT	27.5 X 26.12 X 11.7 (699 x 663 x 284)	23.7 x 23.7 x 11.25 (602 x 602 x 286)	42	HW-MP2424CS	HW-MP2424FG	HW-MP2424SS	HW-MP2424A

Note: Subpanels must be ordered separately. Dimensions in inches (millimeters).



HW-D5994SC

Industry Standards

- UL/cUL 50/508, Type 1, 3, 4X, 6P, 12
- CSA Standard C22.2 Type 1, 3, 4X, 6P, 12
- IP66, NEMA Standard 250 Type 1, 3, 4X, 6P, 12
- Temperature Range: -76°F to 274°F (-60°C to 134°C)
- Flammability Rating: UL94-5V
- Non-flame propagating



FEATURES-SPECIFICATIONS

Construction

- Hot compression molded fiberglass reinforced thermoset polyester
- Poured polyurethane seamless gasket provides water-tight, dust-tight environmental seal
- Recessed pan head screws – no protruding surfaces
- 300 Series stainless used on all external hardware
- Rounded edges, minimal protrusions or exposed pocket area for

accumulation of dust or debris

- Molded in flange for easy mounting
- Panel mounting capability for fixed rear panel
- Raised bosses with brass inserts accepting 10-32 screws for optional panel mounting
- Workable material cuts, drills, punches and saws with ease and accuracy
- Submersible, non-corrosive environmental design

- Lift-off cover
- Non-conductive, impact resistant, UV resistant
- Smooth surface, no color variations, swirls or color pockets, no voids

Accessories

- See pages F42-F45
- Subpanels F39-F41

JIC SERIES SHALLOW DEPTH, FLUSH SCREW-COVER

Catalog Number	Enclosure Overall Size HxWxD	Enclosure Inside AxBxC	Weight lbs.	Carbon Steel Subpanel
HW-D554SC	4.72 X 4.8 X 3.58 (120 x 122 x 91)	4.33 X 4.41 X 3.15 (110 x 112 x 80)	1.8	HW-MP554
HW-D594SC	4.72 x 8.66 x 3.58 (120 x 225 x 91)	4.33 X 8.27 X 3.15 (110 x 210 x 80)	3.0	HW-MP594
HW-D774SC	6.30 X 6.30 X 3.58 (160 x 160 x 91)	5.79 X 5.79 X 3.11 (147 x 147 x 79)	3.0	HW-MP774
HW-D7114SC	6.30 X 10.24 X 3.58 (160 x 260 x 91)	5.79 X 9.72 X 3.11 (147 x 247 x 79)	4.1	HW-MP7114
HW-D10105SC	9.84 X 10.04 X 4.76 (250 x 255 x 121)	9.31 X 9.51 X 4.29 (236 x 242 x 109)	6.5	HW-MP10105
HW-D10165SC	9.84 X 15.75 X 4.76 (250 x 400 x 121)	9.31 X 15.22 X 4.29 (236 x 387 x 109)	8.8	HW-MP10165
HW-D14144SC	14.17 X 14.17 X 3.58 (360 x 360 x 91)	13.66 X 13.66 X 3.11 (347 x 347 x 79)	9.8	HW-MP14144
HW-D16165SC	15.94 X 15.75 X 4.76 (405 x 400 x 121)	15.42 X 15.22 X 4.29 (392 x 387 x 109)	12.9	HW-MP16165
HW-D24168SC	23.63 X 16.54 X 8.44 (600 x 420 x 214)	22.67 X 15.55 X 7.99 (576 x 395 x 203)	18.8	HW-MP24168

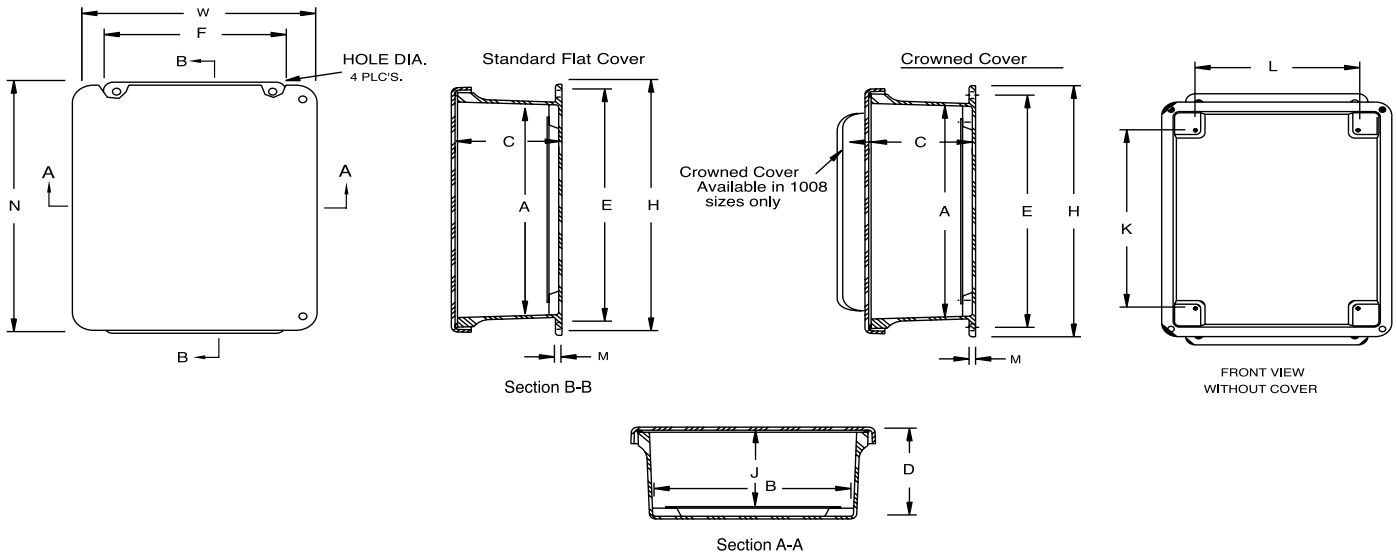
Note: Subpanels must be ordered separately. Dimensions in inches (millimeters).

JIC SERIES NON-METALLIC ENCLOSURES
DIMENSIONS FOR JIC SERIES NON-METALLIC ENCLOSURES

Catalog Number	Enclosure Overall Size HxWxD	Enclosure Inside AxBxC	Mounting ExF	Hole Diameter	J	K	L	M	N
HW-J60404*	7.50 x 5.43 x 4.75 (191 x 138 x 121)	5.84 x 3.85 x 4.45 (148 x 98 x 113)	6.75 x 4 (171 x 101)	0.31 (8)	4 (101)	4.25 (108)	4.25 (108)	0.25 (6)	7.52 (191)
HW-J60604*	7.50 x 7.50 x 4.75 (191 x 191 x 121)	5.72 x 5.72 x 4.45 (145 x 145 x 113)	8.88 x 4 (225 x 101)	0.31 (8)	4 (101)	6.25 (159)	4.25 (108)	0.25 (6)	9.5 (242)
HW-J80604*	9.62 x 7.50 x 4.74 (244 x 191 x 121)	7.73 x 5.74 x 4.45 (196 x 146 x 113)	10.75 x 6 (273 x 152)	0.31 (8)	3.5 (89)	8.25 (209)	6.25 (159)	0.25 (6)	11.35 (288)
HW-J100804*	11.62 x 9.41 x 4.25 (295 x 239 x 108)	9.73 x 7.73 x 3.98 (247 x 196 x 101)	10.75 x 6 (273 x 152)	0.31 (8)	3.5 (89)	8.25 (209)	6.25 (159)	0.25 (6)	11.35 (288)
HW-J100805* (crowned cover)	11.62 x 9.37 x 5.06 (295 x 238 x 129)	9.73 x 7.73 x 4.83 (247 x 196 x 123)	12.75 x 8 (324 x 203)	0.31 (8)	4.5 (114)	10.25 (260)	8.25 (209)	0.25 (6)	13.41 (341)
HW-J121005*	13.56 x 11.43 x 5.21 (344 x 291 x 132)	11.79 x 9.80 x 4.94 (299 x 249 x 125)	12.75 x 8 (324 x 203)	0.31 (8)	4.5 (114)	10.25 (260)	8.25 (209)	0.25 (6)	13.41 (341)
HW-J141206*	15.50 x 13.50 x 6.25 (394 x 343 x 159)	13.53 x 11.55 x 5.94 (344 x 293 x 151)	14.62 x 10 (371 x 254)	0.31 (8)	5.37 (137)	12.25 (311)	10.25 (260)	0.25 (6)	15.47 (393)
HW-J161406*	17.53 x 15.46 x 6.23 (445 x 393 x 158)	15.63 x 13.60 x 5.94 (397 x 345 x 151)	16.75 x 12 (425 x 305)	0.31 (8)	5.36 (136)	14.25 (362)	12.25 (311)	0.25 (6)	17.45 (443)
HW-J181608*	19.62 x 17.61 x 8.82 (498 x 447 x 224)	17.69 x 15.69 x 8.45 (449 x 399 x 215)	18.88 x 12 (479 x 305)	0.31 (8)	7.99 (203)	16.25 (413)	14.25 (362)	0.25 (6)	19.61 (498)
HW-J201608*	22.00 x 17.68 x 8.83 (559 x 449 x 224)	19.72 x 15.72 x 8.45 (501 x 399 x 215)	21.25 x 10.00 (540 x 254)	0.31 (8)	8 (203)	18.25 (464)	14.25 (362)	0.25 (6)	21.68 (551)

Note: Dimensions in inches (millimeters); letters in table correspond to letters on dimensional drawings.

Note: Base Part Number denotes enclosure size only. Defining alphabetical characters are represented by an asterisk(for example: HW-J60604* denotes dimensions for HW-J60604SC, HW-J60604CHSC, HW-J60604CHQR, HW-JCC60604CHQRW, HW-J60604CHTLW, etc. Do not use Base Part Numbers to order enclosures. Use only complete part numbers when ordering.



CONTROL SERIES NON-METALLIC ENCLOSURES NEMA 3R, HINGED COVER WITH TWIST-LOCK LATCHES

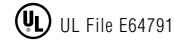
F33



HW-N3R242410CH

Industry Standards

- UL/cUL 50/508, Type 1, 3R
- CSA Standard C22.2 Type 1, 3R
- NEMA Standard 250 Type 1, 3R
- Temperature Range: -76°F to 274°F (-60°C to 134°C)
- Flammability Rating: UL94-5V
- Non-flame propagating



FEATURES-SPECIFICATIONS

Construction

- Hot compression molded fiberglass reinforced polyester
- Poured polyurethane seamless gasket provides water-tight, dust-tight environmental seal
- 300 Series stainless steel used on all external hardware
- Panel mounting capability for fixed rear panel
- Bosses with threaded brass inserts accept 3/8 - 16 screws

- Integral mounting feet
- Rounded edges, minimal protrusions or exposed pocket areas for accumulation of dust or debris
- Rain shield protection against incidental water ingress
- Dust-tight, water-tight, non-corrosive environmental design
- Twist-lock latches for easy entry
- Built-in padlock hasp
- Non-conductive, impact resistant, UV resistant

- Smooth surface, no color variations, swirls or color pockets, no voids
- Color: Gray

Accessories

- See pages F42-F45
- Subpanels F39-F41

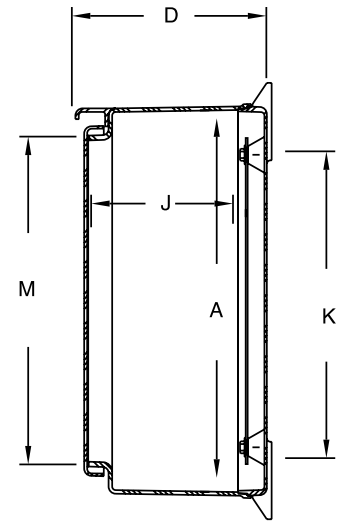
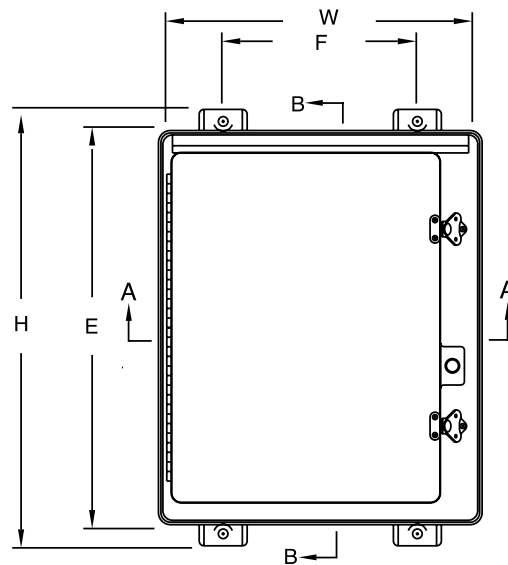
NEMA 3R HINGED COVER WITH TWIST-LOCK LATCHES

Catalog Number	Enclosure Overall Size HxWxD	Enclosure Inside AxBxC	Weight lbs.	Carbon Steel Subpanel	Aluminum Subpanel
HW-N3R242410CH	27.00 x 25.24 x 11.90 (686 x 641 x 302)	24.05 x 24.39 x 11.25 (611 x 619 x 286)	42	HW-WM2424CS	HW-WM2424A
HW-N3R302008CH	32.86 x 20.99 x 9.89 (835 x 533 x 251)	29.90 x 20.14 x 9.23 (760 x 511 x 234)	36	HW-WM3020CS	HW-WM3020A
HW-N3R302010CH	32.86 x 20.99 x 11.89 (835 x 533 x 302)	29.90 x 20.14 x 11.23 (760 x 511 x 285)	39	HW-WM3020CS	HW-WM3020A
HW-N3R302410CH	33.41 x 26.32 x 11.95 (849 x 668 x 304)	30.46 x 25.47 x 11.27 (774 x 647 x 286)	50	HW-WM3024CS	HW-WM3024A
HW-N3R302412CH	33.41 x 26.32 x 13.79 (849 x 668 x 350)	30.46 x 25.47 x 13.10 (774 x 647 x 333)	54	HW-WM3024CS	HW-WM3024A
HW-N3R363008CH	39.31 x 32.50 x 10.05 (999 x 826 x 255)	36.31 x 31.69 x 9.36 (922 x 805 x 238)	75	HW-WM3630CS	HW-WM3630A
HW-N3R363010CH	39.31 x 32.50 x 12.05 (999 x 826 x 306)	36.31 x 31.69 x 11.36 (922 x 805 x 289)	78	HW-WM3630CS	HW-WM3630A
HW-N3R363012CH	39.31 x 32.50 x 14.05 (999 x 826 x 357)	36.31 x 31.69 x 13.36 (922 x 805 x 339)	81	HW-WM3630CS	HW-WM3630A
HW-N3R483612CH	51.29 x 36.62 x 14.43 (1303 x 930 x 367)	48.33 x 36.22 x 13.25 (1228 x 920 x 336)	98	HW-WM4836CS	HW-WM4836A
HW-N3R483616CH	51.29 x 36.62 x 18.43 (1303 x 930 x 468)	48.33 x 36.22 x 17.25 (1228 x 920 x 438)	108	HW-WM4836CS	HW-WM4836A

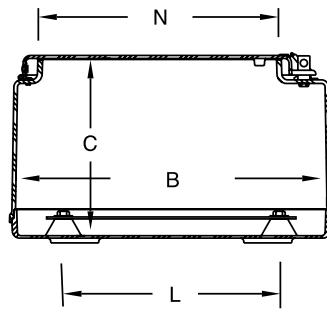
Note: Subpanels must be ordered separately. Dimensions in inches (millimeters).

NUMBER OF LATCHES

Catalog Number	Number of Latches
HW-N3R242410CH	2
HW-N3R302008CH	2
HW-N3R302010CH	2
HW-N3R302410CH	2
HW-N3R302412CH	2
HW-N3R363008CH	3
HW-N3R363010CH	3
HW-N3R363012CH	3
HW-N3R483612CH	3



Section B-B



Section A-A

CONTROL SERIES NON-METALLIC ENCLOSURES NEMA 4X, HINGED COVER WITH TWIST-LOCK LATCHES

F35



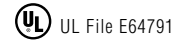
HW-N4X242008CH



HW-N4X242008CHW

Industry Standards

- UL/cUL 50/508, Type 1, 3, 3R, 4X, 12
- CSA Standard C22.2 Type 1, 3, 3R, 4X, 12
- NEMA Standard 250 Type 1, 3, 3R, 4X, 12
- Temperature Range: -76°F to 274°F (-60°C to 134°C)
- Window Flammability: UL94 HB
- Flammability Rating: UL94-5V
- Non-flame propagating



FEATURES-SPECIFICATIONS

Construction

- Hot compression molded fiberglass reinforced polyester
- Poured polyurethane seamless gasket provides water-tight, dust-tight environmental seal
- 300 Series stainless steel used on all external hardware
- Panel mounting capability for fixed rear panel

- Bosses with threaded brass inserts accept 3/8 - 16 screws
- Integral mounting feet
- Rounded edges, minimal protrusions or exposed pocket areas for accumulation of dust or debris
- Dust-tight, water-tight, non-corrosive environmental design
- Twist-lock latches for easy entry
- Built-in padlock hasp

- Non-conductive, impact resistant, UV resistant
- Smooth surface, no color variations, swirls or color pockets, no voids
- Color: Gray

Accessories

- See pages F42-F45
- Subpanels F39-F41

NEMA 4X HINGED COVER WITH TWIST-LOCK LATCHES

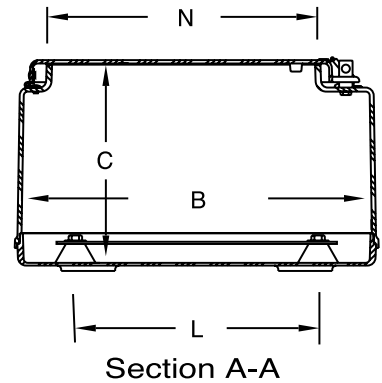
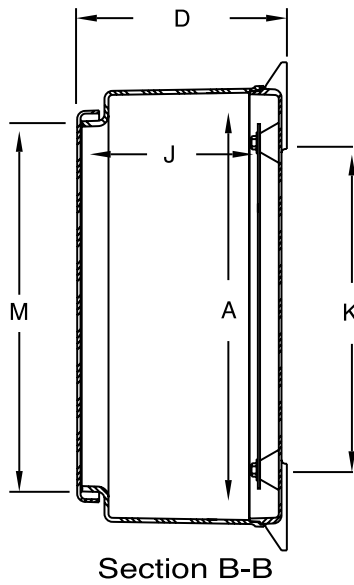
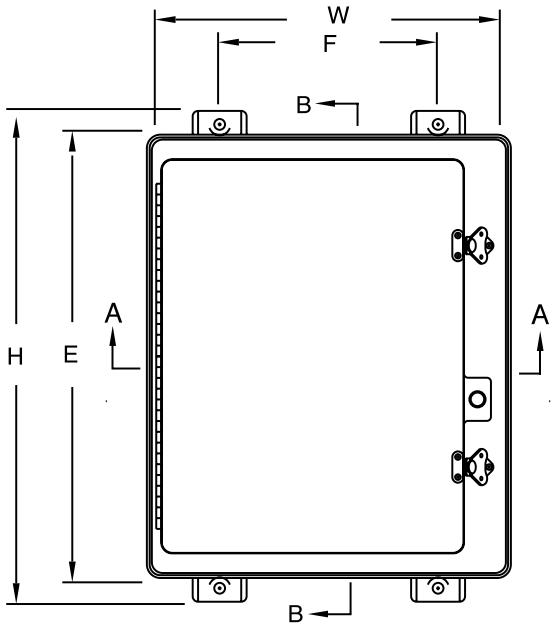
W/O Window	With Window	Enclosure Overall Size HxWxD	Enclosure Inside AxBxC	Weight lbs.	Carbon Steel Subpanel	Aluminum Subpanel
HW-N4X161007CH*	—	18.75 x 10.96 x 9.03 (476 x 278 x 229)	15.92 x 10.27 x 8.53 (404 x 261 x 217)	12	HW-WM1610CS	HW-WM1610A
HW-N4X201608CH	—	22.75 x 16.87 x 10.27 (578 x 429 x 261)	19.70 x 16.04 x 9.24 (500 x 407 x 235)	19	HW-MP2016CS	HW-MP2016A
HW-N4X201610CH	HW-N4X201610CHW	22.75 x 16.87 x 12.27 (578 x 429 x 312)	19.70 x 16.04 x 11.24 (500 x 407 x 286)	23	HW-MP2016CS	HW-MP2016A
HW-N4X201612CH	—	22.75 x 16.87 x 13.77 (578 x 429 x 350)	19.70 x 16.04 x 13.24 (500 x 407 x 336)	24	HW-WM2016CS	HW-WM2016A
HW-N4X241206CH	—	26.95 x 13.72 x 7.98 (685 x 348 x 203)	24.00 x 12.87 x 7.33 (610 x 327 x 186)	21	HW-WM2412CS	HW-WM2412A
HW-N4X241210CH	HW-N4X241210CHW	26.95 x 13.72 x 11.99 (685 x 348 x 304)	24.00 x 12.87 x 11.33 (610 x 327 x 288)	25	HW-WM2412CS	HW-WM2412A
HW-N4X242008CH	HW-N4X242008CHW	27.00 x 21.24 x 9.90 (686 x 539 x 252)	24.05 x 20.39 x 9.25 (611 x 518 x 235)	32	HW-WM2420CS	HW-WM2420A
HW-N4X242410CH	HW-N4X242410CHW	27.00 x 25.24 x 11.90 (686 x 641 x 302)	24.05 x 24.39 x 11.25 (611 x 619 x 286)	42	HW-WM2424CS	HW-WM2424A
HW-N4X242412CH	—	27.00 x 25.24 x 13.90 (686 x 641 x 353)	24.05 x 24.39 x 13.25 (611 x 619 x 336)	43	HW-WM2424CS	HW-WM2424A
HW-N4X302006CH	—	32.86 x 20.99 x 7.89 (835 x 533 x 200)	29.90 x 20.14 x 7.23 (760 x 511 x 184)	34	HW-WM3020CS	HW-WM3020A
HW-N4X302008CH	HW-N4X302008CHW	32.86 x 20.99 x 9.89 (835 x 533 x 251)	29.90 x 20.14 x 9.23 (760 x 511 x 234)	36	HW-WM3020CS	HW-WM3020A
HW-N4X302010CH	HW-N4X302010CHW	32.86 x 20.99 x 11.89 (835 x 533 x 302)	29.90 x 20.14 x 11.23 (760 x 511 x 285)	39	HW-WM3020CS	HW-WM3020A
HW-N4X302012CH	—	32.86 x 20.99 x 13.89 (835 x 533 x 353)	29.90 x 20.14 x 13.23 (760 x 511 x 336)	48	HW-WM3020CS	HW-WM3020A
HW-N4X302408CH	—	33.41 x 26.32 x 8.81 (849 x 668 x 224)	30.46 x 25.47 x 8.12 (774 x 647 x 206)	45	HW-WM3024CS	HW-WM3024A
HW-N4X302410CH	HW-N4X302410CHW	33.41 x 26.32 x 11.95 (849 x 668 x 304)	30.46 x 25.47 x 11.27 (774 x 647 x 286)	50	HW-WM3024CS	HW-WM3024A
HW-N4X302412CH	HW-N4X363012CHW	33.41 x 26.32 x 13.79 (849 x 668 x 350)	30.46 x 25.47 x 13.10 (774 x 647 x 333)	54	HW-WM3024CS	HW-WM3024A
HW-N4X363008CH	—	39.31 x 32.50 x 10.05 (999 x 826 x 255)	36.31 x 31.69 x 9.36 (922 x 805 x 238)	75	HW-WM3630CS	HW-WM3630A
HW-N4X363010CH	—	39.31 x 32.50 x 12.05 (999 x 826 x 306)	36.31 x 31.69 x 11.36 (922 x 805 x 289)	78	HW-WM3630CS	HW-WM3630A
HW-N4X363012CH	—	39.31 x 32.50 x 14.05 (999 x 826 x 357)	36.31 x 31.69 x 13.36 (922 x 805 x 339)	81	HW-WM3630CS	HW-WM3630A
—	HW-N4X483612CHW	51.29 x 36.62 x 13.93 (1303 x 930 x 354)	48.33 x 36.22 x 13.25 (1228 x 920 x 336)	100	HW-WM483612CS	HW-WM483612A

Note: Subpanels must be ordered separately. Dimensions in inches (millimeters).

* No Hasp provided.

NUMBER OF LATCHES

Catalog Number	Number of Latches
HW-N4X1610	2
HW-N4X2016	2
HW-N4X2412	2
HW-N4X2420	4
HW-N4X2424	4
HW-N4X3020	5
HW-N4X3024	5
HW-N4X3630	5



CONTROL SERIES NON-METALLIC ENCLOSURES NEMA 4X, SINGLE HINGED DOOR WITH TWIST-LOCK LATCHES

F37



Industry Standards

- UL/cUL 50/508, Type 1, 3, 3R, 4X, 12
- CSA Standard C22.2 Type 1, 3, 3R, 4X, 12
- NEMA Standard 250 Type 1, 3, 3R, 4X, 12
- Temperature Range: -76°F to 274°F (-60°C to 134°C)
- Flammability Rating: UL94-5V
- Non-flame propagating



FEATURES-SPECIFICATIONS

Construction

- Hot compression molded fiberglass reinforced polyester, hand layup FRP
- Poured polyurethane seamless gasket provides water-tight, dust-tight environmental seal
- 300 Series stainless steel used on all external hardware
- Panel mounting capability for fixed rear panel
- Bosses with threaded brass inserts accept 10-32 screws
- Integral mounting feet

- Rounded edges, minimal protrusions or exposed pocket areas for accumulation of dust or debris
- Dust-tight, water-tight, non-corrosive environmental design
- Twist-lock latches for easy entry
- Built-in padlock hasp
- Non-conductive, impact resistant, UV resistant
- Smooth surface, no color variations, swirls or color pockets, no voids
- Color: Gray

Accessories

- See pages F42-F45
- Subpanels F39-F41

NEMA 4X, SINGLE HINGED DOOR WITH TWIST-LOCK LATCHES

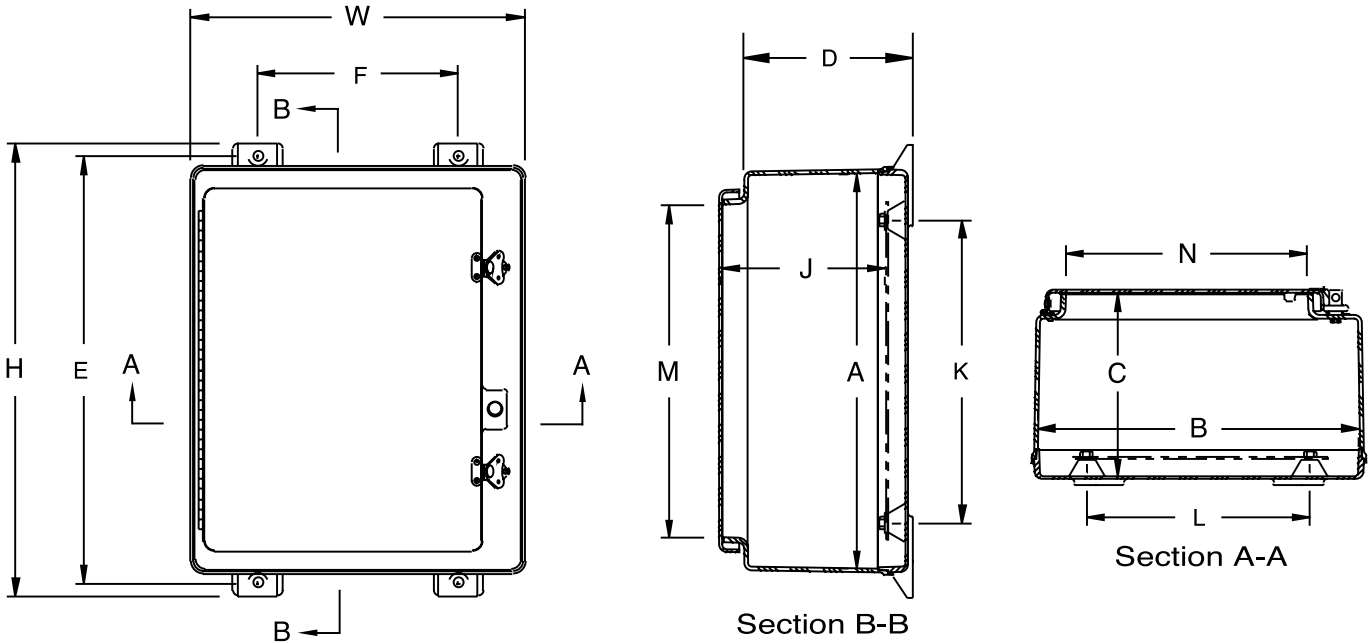
Catalog Number	Enclosure Overall Size HxWxD	Enclosure Inside AxBxC	Weight lbs.	Carbon Steel Subpanel	Aluminum Subpanel
HW-N4X483612CH	51.29 x 36.62 x 13.93 (1303 x 930 x 354)	48.33 x 36.22 x 13.25 (1228 x 920 x 336)	98	HW-WM4836CS	HW-WM4836A
HW-N4X483616CH	51.29 x 36.62 x 17.93 (1303 x 930 x 456)	48.33 x 36.22 x 17.25 (1228 x 920 x 438)	108	HW-WM4836CS	HW-WM4836A
HW-N4X603612CH	63.50 x 36.50 x 14.12 (1613 x 927 x 359)	60.13 x 36.13 x 13.44 (1527 x 918 x 341)	145	HW-WM6036CS	HW-WM6036A
HW-N4X603616CH	63.50 x 36.50 x 18.12 (1613 x 927 x 460)	60.13 x 36.13 x 17.44 (1527 x 918 x 443)	155	HW-WM6036CS	HW-WM6036A
HW-N4X604808CH	60.63 x 48.63 x 9.51 (1540 x 1235 x 242)	60.13 x 48.13 x 9.01 (1527 x 1223 x 229)	200	HW-WM6048CS	HW-WM6048A
HW-N4X604810CH	60.63 x 48.63 x 11.51 (1540 x 1235 x 292)	60.13 x 48.13 x 11.01 (1527 x 1223 x 280)	212	HW-WM6048CS	HW-WM6048A
HW-N4X604812CH	60.63 x 48.63 x 13.51 (1540 x 1235 x 343)	60.13 x 48.13 x 13.01 (1527 x 1223 x 330)	223	HW-WM6048CS	HW-WM6048A
HW-N4X604816CH	60.63 x 48.63 x 17.51 (1540 x 1235 x 445)	60.13 x 48.13 x 17.01 (1527 x 1223 x 432)	246	HW-WM6048CS	HW-WM6048A
HW-N4X604818CH	60.63 x 48.63 x 19.51 (1540 x 1235 x 496)	60.13 x 48.13 x 19.01 (1527 x 1223 x 483)	258	HW-WM6048CS	HW-WM6048A
HW-N4X604820CH	60.63 x 48.63 x 21.51 (1540 x 1235 x 546)	60.13 x 48.13 x 21.01 (1527 x 1223 x 534)	269	HW-WM6048CS	HW-WM6048A
HW-N4X604824CH	60.63 x 48.63 x 25.51 (1540 x 1235 x 648)	60.13 x 48.13 x 25.01 (1527 x 1223 x 635)	292	HW-WM6048CS	HW-WM6048A
HW-N4X606010CH	60.63 x 60.63 x 11.51 (1540 x 1540 x 292)	60.13 x 60.13 x 11.01 (1527 x 1527 x 280)	256	HW-WM6060CS	HW-WM6060A
HW-N4X606012CH	60.50 x 60.50 x 13.38 (1537 x 1537 x 340)	60.13 x 60.13 x 13.01 (1527 x 1527 x 330)	269	HW-WM6060CS	HW-WM6060A
HW-N4X606016CH	60.50 x 60.50 x 17.51 (1537 x 1537 x 445)	60.13 x 60.13 x 17.01 (1527 x 1527 x 432)	295	HW-WM6060CS	HW-WM6060A
HW-N4X606018CH	60.50 x 60.50 x 19.51 (1537 x 1537 x 496)	60.13 x 60.13 x 19.01 (1527 x 1527 x 483)	308	HW-WM6060CS	HW-WM6060A
HW-N4X606024CH	60.50 x 60.50 x 25.51 (1537 x 1537 x 648)	60.13 x 60.13 x 25.01 (1527 x 1527 x 635)	346	HW-WM6060CS	HW-WM6060A
HW-N4X722418CH	72.50 x 24.50 x 19.38 (1842 x 622 x 492)	72.00 x 24.00 x 18.88 (1828 x 610 x 480)	185	HW-WM7224CS	HW-WM7224A
HW-N4X722525CH	72.50 x 25.50 x 26.38 (1842 x 648 x 670)	72.00 x 25.00 x 25.88 (1828 x 635 x 657)	226	HW-WM7225CS	HW-WM7225A

continued on page F38

**CONTROL SERIES NON-METALLIC ENCLOSURES
NEMA 4X, SINGLE HINGED DOOR WITH TWIST-LOCK LATCHES**

NEMA 4X, SINGLE HINGED DOOR WITH TWIST-LOCK LATCHES (CONT.)

Catalog Number	Enclosure Overall Size HxWxD	Enclosure Inside AxBxC	Weight lbs.	Carbon Steel Subpanel	Aluminum Subpanel
HW-N4X723018CH	72.50 x 30.50 x 19.38 (1842 x 775 x 492)	72.00 x 30.00 x 18.88 (1828 x 762 x 480)	214	HW-WM7230CS	HW-WM7230A
HW-N4X723024CH	72.50 x 30.50 x 25.38 (1842 x 775 x 645)	72.00 x 30.00 x 24.88 (1828 x 762 x 632)	246	HW-WM7230CS	HW-WM7230A
HW-N4X723618CH	72.50 x 36.50 x 19.38 (1842 x 927 x 492)	72.00 x 36.00 x 18.88 (1828 x 914 x 480)	242	HW-WM7236CS	HW-WM7236A
HW-N4X723624CH	72.50 x 36.50 x 25.38 (1842 x 927 x 645)	72.00 x 36.00 x 24.88 (1828 x 914 x 632)	277	HW-WM7236CS	HW-WM7236A
HW-N4X724818CH	72.50 x 48.50 x 19.38 (1842 x 1232 x 492)	72.00 x 48.00 x 18.88 (1828 x 1219 x 480)	300	HW-WM7248CS	HW-WM7248A
HW-N4X724824CH	72.50 x 48.50 x 25.38 (1842 x 1232 x 645)	72.00 x 48.00 x 24.88 (1828 x 1219 x 632)	338	HW-WM7248CS	HW-WM7248A
HW-N4X724925CH	72.50 x 49.50 x 26.38 (1842 x 1257 x 670)	72.00 x 49.00 x 25.88 (1828 x 1245 x 657)	350	HW-WM7249CS	HW-WM7249A
HW-N4X726012CH	72.50 x 60.50 x 13.38 (1842 x 1537 x 340)	72.00 x 60.00 x 12.88 (1828 x 1524 x 327)	315	HW-WM7260CS	HW-WM7260A
HW-N4X726016CH	72.50 x 60.50 x 13.38 (1842 x 1537 x 340)	72.00 x 60.00 x 16.88 (1828 x 1524 x 429)	343	HW-WM7260CS	HW-WM7260A
HW-N4X726018CH	72.50 x 60.50 x 13.38 (1842 x 1537 x 340)	72.00 x 60.00 x 18.88 (1828 x 1524 x 480)	358	HW-WM7260CS	HW-WM7260A
HW-N4X726024CH	72.50 x 60.50 x 13.38 (1842 x 1537 x 340)	72.00 x 60.00 x 24.88 (1828 x 1524 x 632)	400	HW-WM7260CS	HW-WM7260A
HW-N4X727212CH	72.50 x 72.50 x 13.38 (1842 x 1842 x 340)	72.00 x 72.00 x 12.88 (1828 x 1828 x 327)	369	HW-WM7272CS	HW-WM7272A
HW-N4X727218CH	72.50 x 72.50 x 19.38 (1842 x 1842 x 492)	72.00 x 72.00 x 18.88 (1828 x 1828 x 480)	415	HW-WM7272CS	HW-WM7272A
HW-N4X727224CH	72.50 x 72.50 x 25.38 (1842 x 1842 x 645)	72.00 x 72.00 x 24.88 (1828 x 1828 x 632)	461	HW-WM7272CS	HW-WM7272A
HW-N4X747212CH	74.50 x 72.50 x 13.38 (1892 x 1842 x 340)	74.00 x 72.00 x 12.88 (1880 x 1828 x 327)	378	HW-WM7472CS	HW-WM7472A
HW-N4X747224CH	74.50 x 72.50 x 25.38 (1892 x 1842 x 645)	74.00 x 72.00 x 24.88 (1880 x 1828 x 632)	471	HW-WM7472CS	HW-WM7472A
HW-N4X903620CH	90.50 x 36.50 x 21.88 (2299 x 927 x 556)	90.00 x 36.00 x 21.38 (2286 x 914 x 543)	308	HW-WM9036CS	HW-WM9036A
HW-N4X903624CH	90.50 x 36.50 x 25.88 (2299 x 927 x 657)	90.00 x 36.00 x 25.38 (2286 x 914 x 645)	335	HW-WM9036CS	HW-WM9036A
HW-N4X903636CH	90.50 x 36.50 x 37.88 (2299 x 927 x 962)	90.00 x 36.00 x 37.38 (2286 x 914 x 949)	415	HW-WM9036CS	HW-WM9036A
HW-N4X904820CH	90.50 x 48.50 x 21.88 (2299 x 1232 x 556)	90.00 x 48.00 x 21.38 (2286 x 1219 x 543)	378	HW-WM9048CS	HW-WM9048A
HW-N4X907220CH	90.50 x 72.50 x 21.88 (2299 x 1842 x 556)	90.00 x 72.00 x 21.38 (2286 x 1828 x 543)	519	HW-WM9072CS	HW-WM9072A
HW-N4X907224CH	90.50 x 72.50 x 25.88 (2299 x 1842 x 657)	90.00 x 72.00 x 25.38 (2286 x 1828 x 645)	553	HW-WM9072CS	HW-WM9072A
HW-N4X907236CH	90.50 x 72.50 x 37.88 (2299 x 1842 x 962)	90.00 x 72.00 x 37.38 (2286 x 1828 x 949)	657	HW-WM9072CS	HW-WM9072A



SUBPANELS FOR PREMIER, CLASSIC, AND JIC NON-METALLIC ENCLOSURES

F39



SUBPANEL SPECIFICATIONS

Subpanel	Material	Finish
Carbon Steel	Carbon Steel	White polyester powder Finish
Aluminum	3003H14 Aluminum	Mill Finish
Stainless Steel	304 Stainless	304 ANN 2 B Finish
Fiberglass	FRP (Fiberglass reinforced panel)	Gray Finish

CARBON STEEL SUBPANELS FOR PREMIER, CLASSIC AND JIC NON-METALLIC ENCLOSURES

Catalog Number	Subpanel Size HxW	Enclosure Inside AxBxC	BA	BB	BK	BL	BT	Panel Type	Number of Holes	Hole Diameter	Weight oz.
HW-MP604CS	4.88 x 2.88 (124 x 73)	6 x 4 (152 x 102)	4.88 (124)	2.88 (73)	4.25 (108)	2.25 (57)	0.08 (2)	FLAT	4	.25 (6.35)	5
HW-MP606CS	4.88 x 4.88 (124 x 124)	6 x 6 (152 x 152)	4.88 (124)	4.88 (124)	4.25 (108)	4.25 (108)	0.08 (2)	FLAT	4	.25 (6.35)	8
HW-MP706CS	6.00 x 4.88 (152 x 124)	7 x 6 (179 x 152)	6.00 (152)	4.88 (124)	5.38 (137)	4.25 (108)	0.08 (2)	FLAT	4	.25 (6.35)	10
HW-MP806CS	6.75 x 4.88 (152 x 124)	8 x 6 (203 x 152)	6.75 (152)	4.88 (124)	6.25 (159)	4.25 (108)	0.08 (2)	FLAT	4	.25 (6.35)	12
HW-MP808CS	6.88 x 6.88 (175 x 175)	8 x 8 (203 x 203)	6.88 (175)	6.88 (175)	6.25 (159)	6.25 (159)	0.08 (2)	FLAT	4	.25 (6.35)	12
HW-MP906CS	8.25 x 4.88 (175 x 124)	9 x 6 (229 x 152)	8.25 (210)	4.88 (124)	7.63 (194)	4.25 (108)	0.08 (2)	FLAT	4	.25 (6.35)	14
HW-MP1008CS	8.75 x 6.88 (225 x 175)	10 x 8 (254 x 203)	8.75 (225)	6.88 (175)	8.25 (210)	6.25 (159)	0.08 (2)	FLAT	4	.25 (6.35)	21
HW-MP1210CS	10.88 x 8.75 (276 x 225)	12 x 10 (305 x 254)	10.88 (276)	8.75 (225)	10.25 (260)	8.25 (210)	0.08 (2)	FLAT	4	.25 (6.35)	34
HW-MP1407CS	12.88 x 5.88 (327 x 149)	14 x 7 (356 x 178)	12.88 (327)	5.88 (149)	12.25 (311)	5.25 (133)	.008 (2)	FLAT	4	.25 (6.35)	33
HW-MP1412CS	12.88 x 10.88 (327 x 276)	14 x 12 (356 x 305)	12.88 (327)	10.88 (276)	12.25 (311)	10.25 (260)	0.08 (2)	FLAT	4	.25 (6.35)	48
HW-MP1614CS	14.88 x 12.88 (378 x 327)	16 x 14 (406 x 356)	14.88 (378)	12.88 (327)	14.25 (362)	12.25 (311)	0.08 (2)	FLAT	4	.25 (6.35)	66
HW-MP1816CS	16.88 x 14.88 (429 x 378)	18 x 16 (457 x 406)	16.88 (429)	14.88 (378)	16.25 (413)	14.25 (362)	0.08 (2)	FLAT	4	.25 (6.35)	87
HW-MP2016CS	18.88 x 14.88 (479 x 378)	20 x 16 (508 x 406)	18.88 (479)	14.88 (378)	18.25 (464)	14.25 (362)	0.08 (2)	FLAT	4	.25 (6.35)	97
HW-MP2020CS	18.88 x 18.88 (479 x 479)	20 x 20 (508 x 508)	18.88 (479)	18.88 (479)	15.25 (387)	15.25 (387)	0.08 (2)	FLAT	4	.25 (6.35)	91
HW-MP2420CS	22.88 x 18.88 (581 x 479)	24 x 20 (610 x 508)	22.88 (581)	15.25 (387)	19.25 (489)	15.25 (387)	0.08 (2)	FLAT	4	.25 (6.35)	173
HW-MP2424CS	22.88 x 22.88 (581 x 581)	24 x 24 (610 x 610)	22.88 (581)	22.88 (581)	19.25 (489)	19.25 (489)	0.08 (2)	FLAT	4	.25 (6.35)	214

Note: Subpanels must be ordered separately. Dimensions in inches (millimeters).

FIBERGLASS SUBPANELS FOR PREMIER, CLASSIC AND JIC NON-METALLIC ENCLOSURES

Catalog Number	Subpanel Size HxW	Enclosure Inside AxBxC	BA	BB	BK	BL	BT	Panel Type	Number of Holes	Hole Diameter	Weight oz.
HW-MP604FG	4.88 x 2.88 (124 x 73)	6 x 4 (152 x 102)	4.88 (124)	2.88 (73)	4.25 (108)	2.25 (57)	0.08 (2)	FLAT	4	.25 (6.35)	2
HW-MP606FG	4.88 x 4.88 (124 x 124)	6 x 6 (152 x 152)	4.88 (124)	4.88 (124)	4.25 (108)	4.25 (108)	0.08 (2)	FLAT	4	.25 (6.35)	3
HW-MP806FG	6.75 x 4.88 (152 x 124)	8 x 6 (203 x 152)	6.75 (152)	4.88 (124)	6.25 (159)	4.25 (108)	0.08 (2)	FLAT	4	.25 (6.35)	4
HW-MP808FG	6.88 x 6.88 (175 x 175)	8 x 8 (203 x 203)	6.88 (175)	6.88 (175)	6.25 (159)	6.25 (159)	0.08 (2)	FLAT	4	.25 (6.35)	5
HW-MP1008FG	8.75 x 6.88 (225 x 175)	10 x 8 (254 x 203)	8.75 (225)	6.88 (175)	8.25 (210)	6.25 (159)	0.08 (2)	FLAT	4	.25 (6.35)	8
HW-MP1210FG	10.88 x 8.75 (276 x 225)	12 x 10 (305 x 254)	10.88 (276)	8.75 (225)	10.25 (260)	8.25 (210)	0.08 (2)	FLAT	4	.25 (6.35)	14
HW-MP1407FG	12.88 x 5.88 (327 x 149)	14 x 7 (356x178)	12.88 (327)	5.88 (149)	12.25 (311)	5.25 (133)	0.08 (2)	FLAT	4	.25 (6.35)	14
HW-MP1412FG	12.88 x 10.88 (327 x 276)	14 x 12 (356 x 305)	12.88 (327)	10.88 (276)	12.25 (311)	10.25 (260)	0.08 (2)	FLAT	4	.25 (6.35)	16
HW-MP1614FG	14.88 x 12.88 (378 x 327)	16 x 14 (406 x 356)	14.88 (378)	12.88 (327)	14.25 (362)	12.25 (311)	0.08 (2)	FLAT	4	.25 (6.35)	13
HW-MP1816FG	16.88 x 14.88 (429 x 378)	18 x 16 (457 x 406)	16.88 (429)	14.88 (378)	16.25 (413)	14.25 (362)	0.08 (2)	FLAT	4	.25 (6.35)	32
HW-MP2016FG	18.88 x 14.88 (479 x 378)	20 x 16 (508 x 406)	18.88 (479)	14.88 (378)	18.25 (464)	14.25 (362)	0.08 (2)	FLAT	4	.25 (6.35)	36
HW-MP2020FG	18.88 x 18.88 (479 x 479)	20 x 20 (508 x 508)	18.88 (479)	18.88 (479)	15.25 (387)	15.25 (387)	0.08 (2)	FLAT	4	.25 (6.35)	49
HW-MP2420FG	22.88 x 18.88 (581 x 479)	24 x 20 (610 x 508)	22.88 (581)	15.25 (387)	19.25 (489)	15.25 (387)	0.08 (2)	FLAT	4	.25 (6.35)	54
HW-MP2424FG	22.88 x 22.88 (581 x 581)	24 x 24 (610 x 610)	22.88 (581)	22.88 (581)	19.25 (489)	19.25 (489)	0.08 (2)	FLAT	4	.25 (6.35)	66

Note: Subpanels must be ordered separately. Dimensions in inches (millimeters).

SUBPANELS FOR PREMIER, CLASSIC, AND JIC NON-METALLIC ENCLOSURES

STAINLESS STEEL SUBPANELS FOR PREMIER, CLASSIC AND JIC NON-METALLIC ENCLOSURES

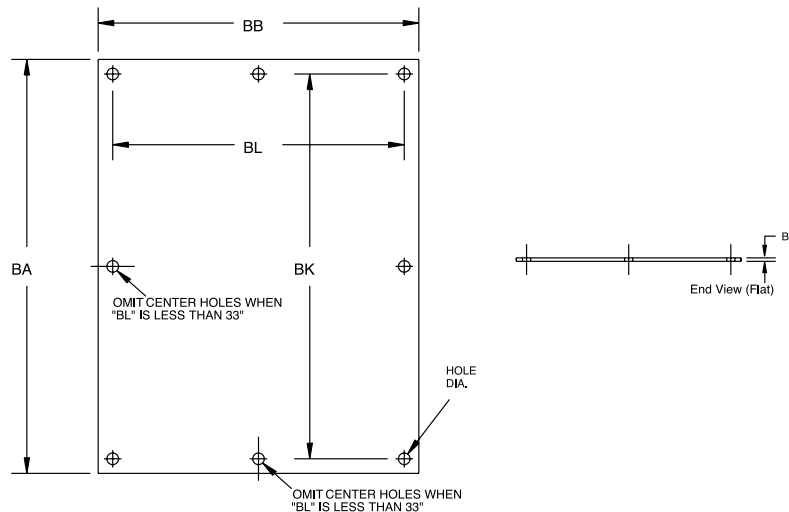
Catalog Number	Subpanel Size HxW	Enclosure Inside AxBxC	BA	BB	BK	BL	BT	Panel Type	Number of Holes	Hole Diameter	Weight oz.
HW-MP604SS	4.88 x 2.88 (124 x 73)	6 x 4 (152 x 102)	4.88 (124)	2.88 (73)	4.25 (108)	2.25 (57)	0.08 (2)	FLAT	4	.25 (6.35)	5
HW-MP606SS	4.88 x 4.88 (124 x 124)	6 x 6 (152 x 152)	4.88 (124)	4.88 (124)	4.25 (108)	4.25 (108)	0.08 (2)	FLAT	4	.25 (6.35)	8
HW-MP806SS	6.75 x 4.88 (152 x 124)	8 x 6 (203 x 152)	6.75 (152)	4.88 (124)	6.25 (159)	4.25 (108)	0.08 (2)	FLAT	4	.25 (6.35)	10
HW-MP808SS	6.88 x 6.88 (175 x 175)	8 x 8 (203 x 203)	6.88 (175)	6.88 (175)	6.25 (159)	6.25 (159)	0.08 (2)	FLAT	4	.25 (6.35)	12
HW-MP1008SS	8.75 x 6.88 (225 x 175)	10 x 8 (254 x 203)	8.75 (225)	6.88 (175)	8.25 (210)	6.25 (159)	0.08 (2)	FLAT	4	.25 (6.35)	12
HW-MP1210SS	10.88 x 8.75 (276 x 225)	12 x 10 (305 x 254)	10.88 (276)	8.75 (225)	10.25 (260)	8.25 (210)	0.08 (2)	FLAT	4	.25 (6.35)	14
HW-MP1412SS	12.88 x 10.88 (327 x 276)	14 x 12 (356 x 305)	12.88 (327)	10.88 (276)	12.25 (311)	10.25 (260)	0.08 (2)	FLAT	4	.25 (6.35)	21
HW-MP1614SS	14.88 x 12.88 (378 x 327)	16 x 14 (406 x 356)	14.88 (378)	12.88 (327)	14.25 (362)	12.25 (311)	0.08 (2)	FLAT	4	.25 (6.35)	34
HW-MP1816SS	16.88 x 14.88 (429 x 378)	18 x 16 (457 x 406)	16.88 (429)	14.88 (378)	16.25 (413)	14.25 (362)	0.08 (2)	FLAT	4	.25 (6.35)	48
HW-MP2016SS	18.88 x 14.88 (479 x 378)	20 x 16 (508 x 406)	18.88 (479)	14.88 (378)	18.25 (464)	14.25 (362)	0.08 (2)	FLAT	4	.25 (6.35)	66

Note: Subpanels must be ordered separately. Dimensions in inches (millimeters).

ALUMINUM SUBPANELS FOR PREMIER, CLASSIC AND JIC NON-METALLIC ENCLOSURES

Catalog Number	Subpanel Size HxW	Enclosure Inside AxBxC	BA	BB	BK	BL	BT	Panel Type	Number of Holes	Hole Diameter	Weight oz.
HW-MP604A	4.88 x 2.88 (124 x 73)	6 x 4 (152 x 102)	4.88 (124)	2.88 (73)	4.25 (108)	2.25 (57)	0.08 (2)	FLAT	4	.25 (6.35)	2
HW-MP706A	6.00 x 4.88 (152 x 124)	7 x 6 (179 x 152)	6.00 (152)	4.88 (124)	5.38 (137)	4.25 (108)	.080 (2)	FLAT	4	.25 (6.35)	4
HW-MP606A	4.88 x 4.88 (124 x 124)	6 x 6 (152 x 152)	4.88 (124)	4.88 (124)	4.25 (108)	4.25 (108)	0.08 (2)	FLAT	4	.25 (6.35)	3
HW-MP806A	6.75 x 4.88 (152 x 124)	8 x 6 (203 x 152)	6.75 (152)	4.88 (124)	6.25 (159)	4.25 (108)	0.08 (2)	FLAT	4	.25 (6.35)	4
HW-MP906A	8.25 x 4.88 (210 x 124)	8 x 6 (203 x 152)	8.25 (210)	4.88 (124)	7.63 (194)	4.25 (108)	.080 (2)	FLAT	4	.25 (6.35)	5
HW-MP808A	6.88 x 6.88 (175 x 175)	8 x 8 (203 x 203)	6.88 (175)	6.88 (175)	6.25 (159)	6.25 (159)	0.08 (2)	FLAT	4	.25 (6.35)	4
HW-MP1008A	8.75 x 6.88 (225 x 175)	10 x 8 (254 x 203)	8.75 (225)	6.88 (175)	8.25 (210)	6.25 (159)	0.08 (2)	FLAT	4	.25 (6.35)	8
HW-MP1210A	10.88 x 8.75 (276 x 225)	12 x 10 (305 x 254)	10.88 (276)	8.75 (225)	10.25 (260)	8.25 (210)	0.08 (2)	FLAT	4	.25 (6.35)	12
HW-MP1407A	12.88 x 5.88 (327 x 149)	14 x 7 (356x178)	12.88 (327)	5.88 (149)	12.25 (311)	5.25 (133)	.080 (2)	FLAT	4	.25 (6.35)	14
HW-MP1412A	12.88 x 10.88 (327 x 276)	14 x 12 (356 x 305)	12.88 (327)	10.88 (276)	12.25 (311)	10.25 (260)	0.08 (2)	FLAT	4	.25 (6.35)	18
HW-MP1614A	14.88 x 12.88 (378 x 327)	16 x 14 (406 x 356)	14.88 (378)	12.88 (327)	14.25 (362)	12.25 (311)	0.08 (2)	FLAT	4	.25 (6.35)	24
HW-MP1816A	16.88 x 14.88 (429 x 378)	18 x 16 (457 x 406)	16.88 (429)	14.88 (378)	16.25 (413)	14.25 (362)	0.08 (2)	FLAT	4	.25 (6.35)	40
HW-MP2016A	18.88 x 14.88 (479 x 378)	20 x 16 (508 x 406)	18.88 (479)	14.88 (378)	18.25 (464)	14.25 (362)	0.08 (2)	FLAT	4	.25 (6.35)	39
HW-MP2020AL	18.88 x 18.88 (479 x 479)	20 x 20 (508 x 508)	18.88 (457)	18.00 (457)	15.25 (387)	15.25 (387)	0.08 (2)	FLAT	4	.25 (6.35)	56
HW-MP2420AL	22.88 x 18.88 (581 x 479)	24 x 20 (609 x 508)	22.88 (479)	15.25 (387)	19.25 (488)	15.25 (387)	0.08 (2)	FLAT	4	.25 (6.35)	72

Note: Subpanels must be ordered separately. Dimensions in inches (millimeters).



CARBON STEEL SUBPANELS FOR CONTROL SERIES NON-METALLIC ENCLOSURES

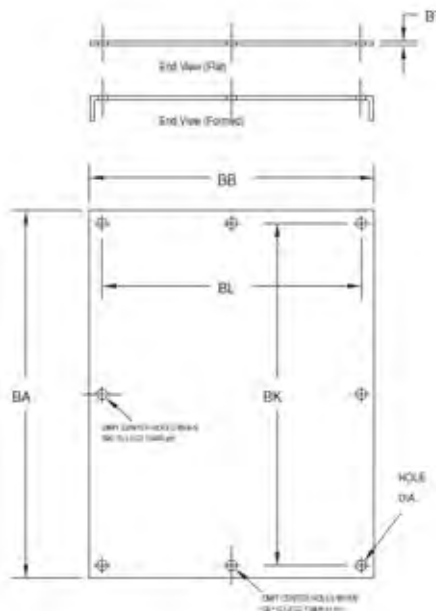
Catalog Number	Subpanel Size HxW	Enclosure Inside AxBxC	BA	BB	BK	BL	BT	Panel Type	Number of Holes	Hole Diameter	Weight lbs.
HW-WM1610CS	13.00 x 8.50 (330 x 216)	16 x 10 (406 x 54)	13.00 (330)	8.50 (216)	12.00 (305)	7.50 (191)	0.08 (2)	FLAT	4	0.31 (8)	3.3
HW-WM2016CS	17.00 x 13.00 (432 x 330)	20 x 16 (508 x 406)	17.00 (432)	13.00 (330)	15.25 (387)	11.25 (286)	0.09 (2)	FORMED	4	0.31 (8)	6.7
HW-WM2412CS	21.00 x 9.00 (533 x 229)	24 x 12 (610 x 305)	21.00 (533)	9.00 (229)	19.25 (489)	7.25 (184)	0.09 (2)	FORMED	4	0.50 (13)	8.7
HW-WM2420CS	21.00 x 17.00 (533 x 432)	24 x 20 (610 x 508)	21.00 (533)	17.00 (432)	19.25 (489)	15.25 (387)	0.13 (3)	FORMED	4	0.50 (13)	10.8
HW-WM2424CS	21.00 x 21.00 (533 x 533)	24 x 24 (610 x 610)	21.00 (533)	21.00 (533)	19.25 (489)	19.25 (489)	0.13 (3)	FORMED	4	0.50 (13)	13.4
HW-WM3020CS	27.00 x 17.00 (686 x 432)	30 x 20 (763 x 508)	27.00 (686)	17.00 (432)	25.25 (641)	15.25 (387)	0.13 (3)	FORMED	5	0.50 (13)	14
HW-WM3024CS	27.00 x 21.00 (686 x 533)	30 x 24 (762 x 610)	27.00 (686)	21.00 (533)	25.25 (641)	19.25 (489)	0.13 (3)	FLAT	4	0.50 (13)	17
HW-WM3630CS	33.00 x 27.00 (838 x 686)	36 x 30 (914 x 762)	33.00 (838)	27.00 (686)	31.25 (794)	25.25 (641)	0.13 (3)	FLAT	4	0.50 (13)	27
HW-WM4836CS	45.00 x 33.00 (1143 x 838)	48 x 36 (1219 x 914)	45.00 (1143)	33.00 (838)	43.00 (1092)	31.25 (794)	0.13 (3)	FLAT	8	0.50 (13)	41
HW-WM6036CS	57.00 x 33.00 (1448 x 838)	60 x 36 (1524 x 914)	57.00 (1448)	33.00 (838)	55.25 (1403)	31.25 (794)	0.13 (3)	FLAT	8	0.50 (13)	60

Note: Subpanels must be ordered separately. Dimensions in inches (millimeters).

ALUMINUM SUBPANELS FOR CONTROL SERIES NON-METALLIC ENCLOSURES

Catalog Number	Subpanel Size HxW	Enclosure Inside AxBxC	BA	BB	BK	BL	BT	Panel Type	Number of Holes	Hole Diameter	Weight lbs.
HW-WM1610A	13.00 x 8.50 (330 x 216)	16 x 10 (406 x 54)	13.00 (330)	8.50 (216)	12.00 (305)	7.50 (191)	0.08 (2)	FLAT	4	0.31 (8)	1
HW-WM2016A	17.00 x 13.00 (432 x 330)	20 x 16 (508 x 406)	17.00 (432)	13.00 (330)	15.25 (387)	11.25 (286)	0.09 (2)	FORMED	4	0.31 (8)	2
HW-WM2412A	21.00 x 9.00 (533 x 229)	24 x 12 (610 x 305)	21.00 (533)	9.00 (229)	19.25 (489)	7.25 (184)	0.09 (2)	FORMED	4	0.50 (13)	4.5
HW-WM2420A	21.00 x 17.00 (533 x 432)	24 x 20 (610 x 508)	21.00 (533)	17.00 (432)	19.25 (489)	15.25 (387)	0.13 (3)	FORMED	4	0.50 (13)	4.5
HW-WM2424A	21.00 x 21.00 (533 x 533)	24 x 24 (610 x 610)	21.00 (533)	21.00 (533)	19.25 (489)	19.25 (489)	0.13 (3)	FORMED	4	0.50 (13)	5.5
HW-WM3020A	27.00 x 17.00 (686 x 432)	30 x 20 (763 x 508)	27.00 (686)	17.00 (432)	25.25 (641)	15.25 (387)	0.13 (3)	FORMED	5	0.50 (13)	5.8
HW-WM3024A	27.00 x 21.00 (686 x 533)	30 x 24 (762 x 610)	27.00 (686)	21.00 (533)	25.25 (641)	19.25 (489)	0.13 (3)	FLAT	4	0.50 (13)	7
HW-WM3630A	33.00 x 27.00 (838 x 686)	36 x 30 (914 x 762)	33.00 (838)	27.00 (686)	31.25 (794)	25.25 (641)	0.13 (3)	FLAT	4	0.50 (13)	11
HW-WM4836A	31.00 x 22.00 (787 x 559)	36 x 48 (914 x 1219)	31.00 (787)	22.00 (559)	29.00 (737)	20.00 (508)	0.13 (3)	FLAT	8	0.50 (13)	22
HW-WM6036A	57.00 x 33.00 (1448 x 838)	60 x 36 (1524 x 914)	57.00 (1448)	33.00 (838)	55.25 (1403)	31.25 (794)	0.13 (3)	FORMED	8	0.50 (13)	23

Note: Subpanels must be ordered separately. Dimensions in inches (millimeters).





HW-MGFTKIT



HW-LMTGFTKIT

**OPTIONAL MOUNTING
FOOT KITS**

OPTIONAL MOUNTING FOOT KITS

Catalog Number	Description
HW-MGFTKIT	Mounting Foot Kit for Premier Series (2 pieces per kit)
HW-LMTGFTKIT	Mounting Foot Kit for Classic Series (2 pieces per kit)
HW-N4XMTGFTKIT	Mounting Foot kit for Slim-Line/In-Line Series (2 pieces per kit)

HOLE PLUGS

HOLE PLUGS

Catalog Number	Description
HW-FGHP	Non-metallic Hole Plug, for .5 to .75 inch diameter hole
HW-FGHP-PB-075	Non-metallic Hole Plug for .75 to 1.00 inch diameter hole
HW-FGHP-100-125	Non-metallic Hole Plug for 1.00 to 1.25 inch diameter hole
HW-FGHP-150-200	Non-metallic Hole Plug for 1.50 to 2.00 inch diameter hole
HW-FGHP-PB-000	Non-metallic Hole Plug for .5 inch diameter hole
HW-FGHP-200-275	Non-metallic Hole Plug for 2 to 2.75 inch diameter hole
HW-FGHP-250-350	Non-metallic Hole Plug for 2.5 to 3.5 inch diameter hole
HW-FGHP-300-425	Non-metallic Hole Plug for 3 to 4.25 inch diameter hole
HW-FGHP-350-500	Non-metallic Hole Plug for 3.5 to 5 inch diameter hole



DRAIN VENT

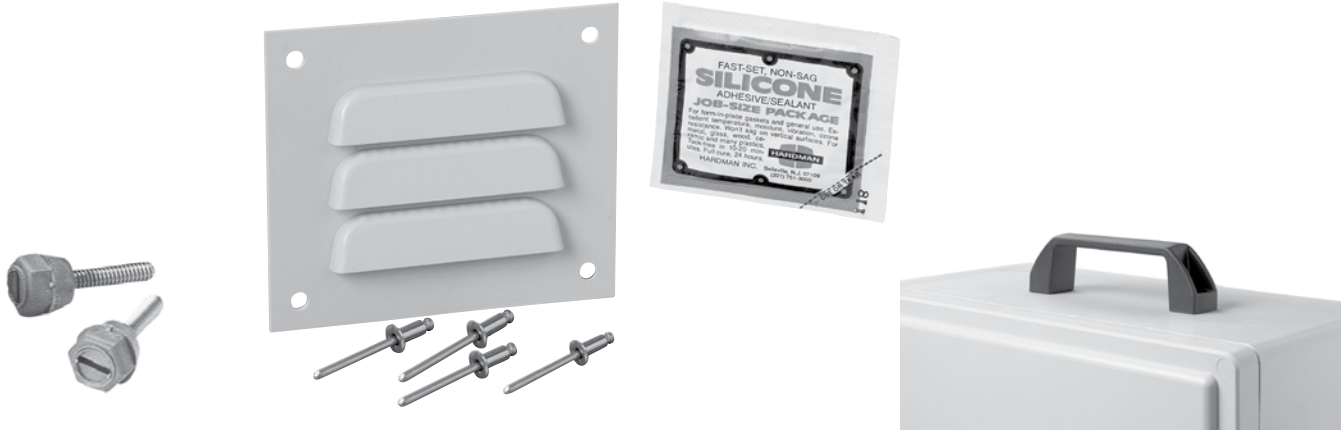
Catalog Number	Description
HW-DV	Single Drain Vent
HW-DVKIT	Single Drain Vent
HW-4XDVKIT	Nema 4X Drain Vent Kit

STAINLESS STEEL SCREWS

Catalog Number	Description
HW-2PKSS	Stainless steel screws - pkg of 2
HW-4PKSS	Stainless steel screws - pkg of 4
HW-4XBVKIT	Nema 4X Breather Vent Kit

VAPOR CAPSULE

Catalog Number	Description
HW-C12	Non-toxic vapor capsule prevents moisture and condensation from occurring on the interior of the enclosure for up to one year. Installs easily with a self-adhesive strip.



ENCAPSULATED SCREWS

Catalog Number	Description
HW-2PKENCAP	PVC-encapsulated screws - pkg of 2
HW-4PKENCAP	PVC-encapsulated screws - pkg of 4

LOUVER PLATE AND KIT

Catalog Number	Description
HW-LP	Louver plate only
HW-LPKIT	Louver plate, rivets, silicone

CARRYING HANDLE

Catalog Number	Description
HW-CARRYINGHANDLE	Non-metallic black handle

PRINT POCKETS

Catalog Number	Description
HW-PRTPKT	Print Pocket



POLY CARBONATE ACCESSORIES

Catalog Number	Description
HW-PSNK	Slot Nut Kit (includes two nuts & two screws)
HW-PSPMK	Swing Panel Mounts (four per kit)
HW-PLATCHKIT	Latch Kit (2 latches per kit) - replacement only
HW-PACCKIT	Accessory Kit (Includes all screws, inserts and mounting feet) - replacement only



POLE MOUNT KIT

Catalog Number	Description
HW-PMKT6-8	Pole Mount For 6 INCH and 8 INCH
HW-PMKT10-12	Pole Mount For 10 INCH and 12 INCH
HW-PMKT14-16	Pole Mount For 14 INCH and 16 INCH
HW-PMKT18-24	Pole Mount For 18 INCH and 24 INCH

Section G Index

SDN12 Series

NEMA 12 Flanged Single Door Disconnects G3

N412CD, N412CDSS, N412CDSSA Series

ULTIMATE Flanged Single Door
Disconnects G6

N412CSTD, N412CSSSTD Series

ULTIMATE Slope-Top Flanged
Single Door Disconnects G8

SN4 Series

NEMA 4 Flanged Single Door
Disconnects G10

SSN4X Series

NEMA 4 Flanged Single Door
Disconnects G12

ABN12 Series (1494F & 1494D)

NEMA 12 Flanged Single Door
Disconnects G23

WAX-U & WACPX-U Series

NEMA 12 Floor-Mount Disconnects G27

WAXM-U Series (1, 2, 3, 4, 5 Door)

NEMA 12 Heavy-Duty Freestanding
Disconnects G31

WMOD Series

NEMA 12 Modular Freestanding
Disconnects G39

WAX-SSN4, WACPX-SSN4 Series

NEMA 4X Floor-Mount Disconnects G44

WAXM-SSN4 Series

NEMA 4X Freestanding Single & Double
Door Disconnects G47

NEMA 12 Adapter Plates G60

DISCONNECTS





“WM” PREFERRED CUTOUT

FEATURES-SPECIFICATIONS

Applications

These General purpose disconnect enclosures accept major brand disconnect switches and circuit breakers, available with or without Wiegman supplied defeater door handle and handle hardware (door handle supplied on SDN12PL, N412CD and N412CSTD models only).

Enclosures having the “WM” preferred cutout are sized for use with up to 200A disconnect switches and up to 400A circuit breakers unless otherwise specified. The “WM” preferred cutout accepts the smaller operating handle whose mounting hole centers are 4.677 in. apart. “WM” preferred cutouts are standard in most wall-mount enclosures and some select large mild steel enclosures. They are also present on all standard stainless steel offerings. Mild steel operator adapter plates with brand specific “WM” preferred cutouts are available for enclosures with a rectangular universal cutout.

“WM” preferred cutouts are designed to house the following:

Allen-Bradley

- 1494V disconnect switches with flange-mount variable depth operating mechanisms and 1494V flange-mounted variable depth operating mechanisms for circuit breakers
- 140U flexible cable operating mechanisms and 140U molded case circuit breakers
- 1494C cable-operated disconnect switches with flange-mount handles
- 194RC cable-operated flange-mount handles for use with the NFPA 79 compliant 194R IEC rotary disconnect switches

Allen-Bradley 1494V-R1, -R2 and -W2 operating handles and Allen-Bradley 1494F disconnect devices or 1494D circuit breaker operators will NOT fit these enclosures.

See Pages G23-G26 for ABN12 1494F & 1494D models

- **ABB Controls** flange-mount variable-depth operating mechanism for disconnect switches and circuit breakers. Also the cable version for circuit breakers.
- **Eaton Cutler-Hammer** Type C361 flange-mount variable-depth operating mechanisms with disconnect switches and Type C371 flange-mount variable-depth operating mechanisms for circuit breakers.

- **General Electric** Type STDA flange handles and variable-depth operating mechanisms for disconnect switches and circuit breakers. Also SPECTRAFLEX™ cable operators for circuit breakers
- **Siemens ITE Max-Flex™** flange-mount variable-depth operating handles for circuit breakers.
- **Schneider Square D®** Class 9422 disconnect switches with flange-mount variable-depth operating mechanisms or cable mechanisms and Class 9422 flange-mount variable-depth operating mechanism or cable mechanisms for circuit breakers.

These enclosures will not accept Schneider Square D® Class 9422 bracket-mounted disconnect devices, Class 9422TGI, or TG2 devices

Important Ordering Information

Depending on model, order as follows:

On SDN12PL, N412CD and N412CSTD Models

- Customer must order operating mechanism, operating handle, and disconnect switch or circuit breakers from the disconnect manufacturers (door handle and latching hardware included). See page G14 for ordering information.

On SDN12 and ABN12 V, U, C Models

- Customer must order operating mechanism and disconnect switch or circuit breakers, operating handle, and door hardware from the disconnect manufacturers (see page G14 for ordering information).

On SN4 and SSN4X Models

- Customer must order operating mechanism, operating handle and disconnect switch or circuit breakers, from the disconnect manufacturers (these models do NOT get door hardware). See page G15 for ordering information.

Wire Bend Space

- See pages G16-G22 for wire bend space available when various manufactures' disconnect switches are installed. Check the enclosure dimension drawings to verify the chosen disconnect switch will fit in the enclosure.

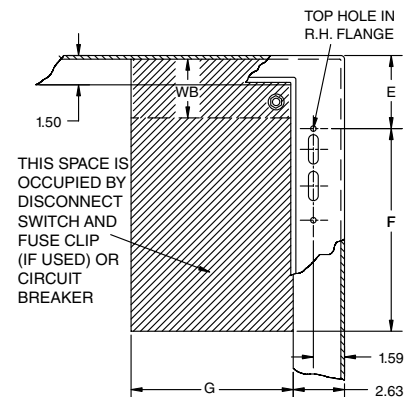
Note:

E = 4.75 when Depth = 8.00
 E = 7.09 when Depth = 10.00
 E = 11.62 when Depth = 12.00 or 16.00
 E = 18.38 for SDN 12603812A
 WB = Wiring Space

See Pages G14 for various brands of disconnects for “F”, “G” & “WB” dimensions.

Disconnects will occupy space on panel shown by dimensions “E”, “F” & “G”. Wiring space “WB” is available when disconnect is installed in the enclosure.

Refer to National Electrical Code article 430-10(b) for wiring space required for line side conductors to be connected to disconnect. Verify your application to determine if wiring space is adequate.



**Operator adapter plates are not required with these enclosures*

SDN12 & SDN12PL SERIES ENCLOSURES NEMA 12 FLANGED SINGLE DOOR DISCONNECT



SDN12-PL



SDN12

Industry Standards

UL 508A, Type 12 & 13

CSA Certified, Type 12

NEMA/EEMAC Type 12 & 13

 UL Files E64791

 CSA File LL66078

FEATURES-SPECIFICATIONS

Construction

- Bodies and doors are fabricated from carbon steel
- Seams are continuously welded and ground smooth
- Rolled lip around all sides of enclosure opening to exclude liquids and contaminants
- Door is removed by pulling continuous hinge pin
- Doors are sealed with a poured in place gasket
- External mounting feet are provided
- Collar studs for mounting **optional** back panels are provided
- Grounding provisions are provided
- Holes are provided in body and door for mounting operating handle,

operating mechanism, and door closing mechanism

- Interlocking door catch is provided
- Enclosures under 40" high require 2-point door hardware
- Enclosures 40" high and larger require 3-point door hardware
- Instructions to locate and install disconnect switches, circuit breakers, and operating mechanisms are provided
- Enclosures available with or without padlocking, defeater handle, and latching system

Finish

- ANSI 61 gray polyester powder inside and out
- **Optional** back panels are painted with a white polyester powder
- **Optional** "G" panels are pre-galvanized steel

Accessories

- Back panels (reference table)
- Blank Adapter Plates on page G60

IMPORTANT Ordering Information

- See page G14 for disconnect switch, circuit breakers, operating handle and operating mechanism.

SDN12 & SDN12PL SERIES ENCLOSURES NEMA 12 FLANGED SINGLE DOOR DISCONNECT

SDN12 & SDN12PL SERIES WALL-MOUNT DISCONNECT

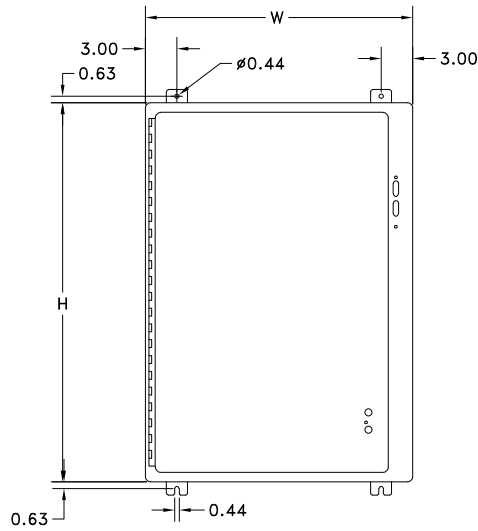
Catalog Number		Enclosure Size HxWxD	Back Panel Catalog Number*		Back Panel Size AxB
With Handle	Without Handle		White	"G"	
SDN12202108PL	SDN12202108	20.00x21.38x8.10 (508x543x206)	NP2020	NP2020G	17.00x17.00 (432x432)
SDN12242108PL	SDN12242108	24.00x21.38x8.10 (610x543x206)	NP2420	NP2420G	21.00x17.00 (533x432)
SDN12242508PL	SDN12242508	24.00x25.38x8.10 (610x645x206)	NP2424	NP2424G	21.00x21.00 (533x533)
SDN12302108PL	SDN12302108	30.00x21.38x8.10 (762x543x206)	NP3020	NP3020G	27.00x17.00 (686x432)
SDN12302508PL	SDN12302508	30.00x25.38x8.10 (762x645x206)	NP3024	NP3024G	27.00x21.00 (686x533)
SDN12362508PL	SDN12362508	36.00x25.38x8.10 (914x645x206)	NP3624	NP3624G	33.00x21.00 (838x533)
SDN12363108PL	SDN12363108	36.00x31.38x8.10 (914x797x206)	NP3630	NP3630G	33.00x27.00 (838x686)
SDN12423208PL	SDN12423208	42.00x31.38x8.10 (1067x797x206)	NP4230	NP4230G	39.00x27.00 (991x686)
SDN12423708PL	SDN12423708	42.00x37.38x8.10 (1067x949x206)	NP4236	NP4236G	39.00x33.00 (991x838)
SDN12483708PL	SDN12483708	48.00x37.38x8.10 (1219x949x206)	NP4836	NP4836G	45.00x33.00 (1143x838)
SDN12603808PL	SDN12603808	60.00x37.38x8.10 (1524x949x207)	NP6036	NP6036G	57.00x33.00 (1448x838)
SDN12202110PL	SDN12202110	20.00x21.38x10.25 (508x543x257)	NP2020	NP2020G	17.00x17.00 (432x432)
SDN12242110PL	SDN12242110	24.00x21.38x10.25 (610x543x257)	NP2420	NP2420G	21.00x17.00 (533x432)
SDN12242510PL	SDN12242510	24.00x25.38x10.25 (610x645x257)	NP2424	NP2424G	21.00x21.00 (533x533)
SDN12302110PL	SDN12302110	30.00x21.38x10.25 (762x543x257)	NP3020	NP3020G	27.00x17.00 (686x432)
SDN12302510PL	SDN12302510	30.00x25.38x10.25 (762x645x257)	NP3024	NP3024G	27.00x21.00 (686x533)
SDN12362510PL	SDN12362510	36.00x25.38x10.25 (914x645x257)	NP3624	NP3624G	33.00x21.00 (838x533)
SDN12363110PL	SDN12363110	36.00x31.38x10.25 (914x797x257)	NP3630	NP3630G	33.00x27.00 (838x686)
SDN12423110PL	SDN12423110	42.00x31.38x10.25 (1067x797x257)	NP4230	NP4230G	39.00x27.00 (991x686)
SDN12423710PL	SDN12423710	42.00x37.38x10.25 (1067x949x257)	NP4236	NP4236G	39.00x33.00 (991x838)
SDN12483710PL	SDN12483710	48.00x37.38x10.25 (1219x949x257)	NP4836	NP4836G	45.00x33.00 (1143x838)
SDN12603710PL	SDN12603710	60.00x37.38x10.25 (1524x949x257)	NP6036	NP6036G	57.00x33.00 (1448x838)
SDN12302612PL	SDN12302612	30.00x25.38x12.13 (762x645x308)	NP3024	NP3024G	27.00x21.00 (686x533)
SDN12363212PL	SDN12363212	36.00x31.38x12.13 (914x797x308)	NP3630	NP3630G	33.00x27.00 (838x686)
SDN12423212PL	SDN12423212	42.00x31.38x12.13 (1067x797x308)	NP4230	NP4230G	39.00x27.00 (991x686)
SDN12423812PL	SDN12423812	42.00x37.38x12.13 (1067x949x308)	NP4236	NP4236G	39.00x33.00 (991x838)
SDN12483812PL	SDN12483812	48.00x37.38x12.13 (1219x949x308)	NP4836	NP4836G	45.00x33.00 (1143x838)
SDN12603812PL	SDN12603812	60.00x37.38x12.13 (1524x949x308)	NP6036	NP6036G	57.00x33.00 (1448x838)
SDN12603812APL	SDN12603812A**	60.00x37.38x12.13 (1524x949x308)	NP6036	NP6036G	57.00x33.00 (1448x838)
SDN12363116PL	SDN12363116	36.00x31.38x16.13 (914x797x410)	NP3630	NP3630G	33.00x27.00 (838x686)
SDN12483816PL	SDN12483816	48.00x37.38x16.13 (1219x949x410)	NP4836	NP4836G	45.00x33.00 (1143x838)
SDN12603816PL	SDN12603816	60.00x37.38x16.13 (1524x949x410)	NP6036	NP6036G	57.00x33.00 (1448x838)

* Back panels must be ordered separately.

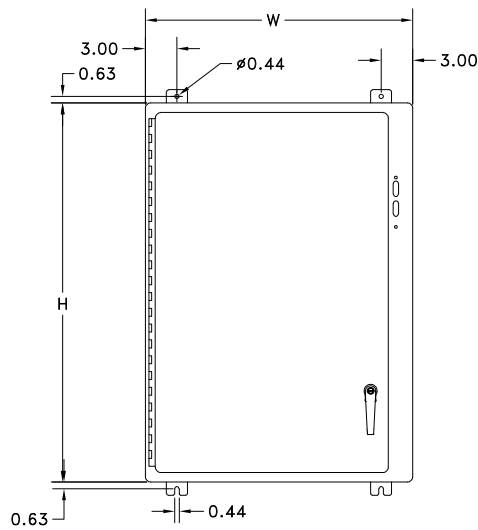
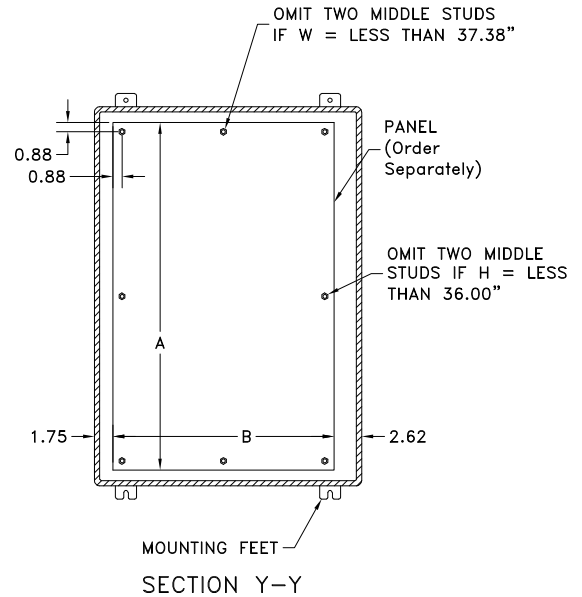
** Enclosure catalog number SDN12603812A will receive only 400 amp and 600 amp Allen-Bradley 1494V disconnect switches and Siemens ITE Max-Flex® 800 amp and 1200 amp circuit breakers. The 400 amp and 600 amp Allen-Bradley disconnect switch will not fit any other size enclosure from the SDN12 family. Blank Adapter plates will not fit catalog number SDN12603812A. Enclosures 12" and 16" deep can be modified to accept Siemens ITE Max-Flex® 800 amp and 1200 amp circuit breakers. (When using a Siemens ITE Max-Flex® circuit breaker and an enclosure with an "H" dimension of 30", 36" or 42", verify the amount of wire bend space required for both the line and load sides.) Consult factory for details.

**SDN12 & SDN12PL SERIES ENCLOSURES
NEMA 12 FLANGED SINGLE DOOR DISCONNECT**

G5

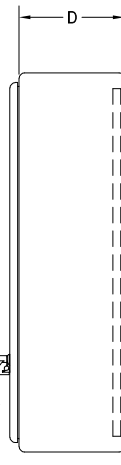


SDN12



SDN12-PL

PADLOCKABLE
HANDLE INSTALLED



Note:

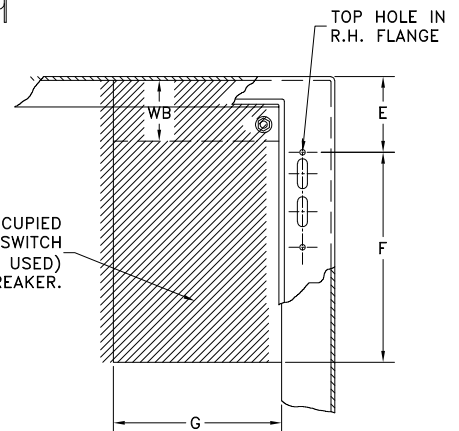
- E = 4.75 when D = 8.00
- E = 7.09 when D = 10.00
- E = 11.62 when D = 12.00 or 16.00
- E = 18.38 for SDN12603812A

See Pages F9-F15 for various brands of disconnects for "F", "G", & "WB" dimensions.

Disconnects will occupy space on panel shown by dimensions "E", "F", & "G". Wiring space "WB" is available when disconnect is installed in the enclosure.

Refer to National Electrical Code 1996 article 430-10(b) for wiring space required for line side conductors to be connected to disconnect. Verify your application to determine if wiring space is adequate.

THIS SPACE IS OCCUPIED
BY DISCONNECT SWITCH
AND FUSE CLIP (IF USED)
OR CIRCUIT BREAKER.





Industry Standards

UL 508A, Type 3R, 4, 4X, 12 & 13
CSA Certified, Type 3R, 4, 4X, 12 & 13
NEMA/EEMAC Type 3R, 4, 4X, 12 & 13
Wall mounting kits are required to maintain UL/CSA external mounting requirements
IEC 60529, IP66

 UL Files E64791, E470978

 CSA File LL66078

FEATURES-SPECIFICATIONS

Construction

- Bodies and doors are fabricated from carbon steel or 304/316L stainless steel
- Seams are continuously welded and ground smooth
- Increased tub opening for better access
- Concealed hinges
- Doors are interchangeable and easily removed
- Grounding provisions are provided
- Doors are sealed with a poured in place gasket
- Mounting holes in the back of the enclosure

- Studs for mounting **optional** back panels are provided
- Door handle contains a slotted insert defeater mechanism
- Latching system interlocks with the disconnect handle for added safety
- 2-point latch system up to 36" in height and 3-point latch system on enclosures 42" and higher

Finish

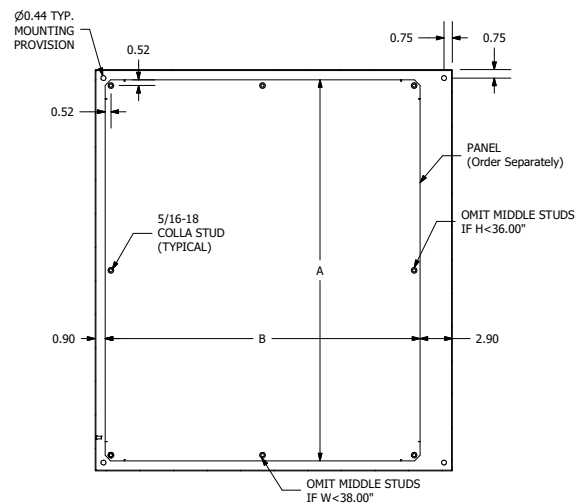
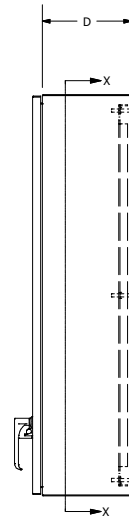
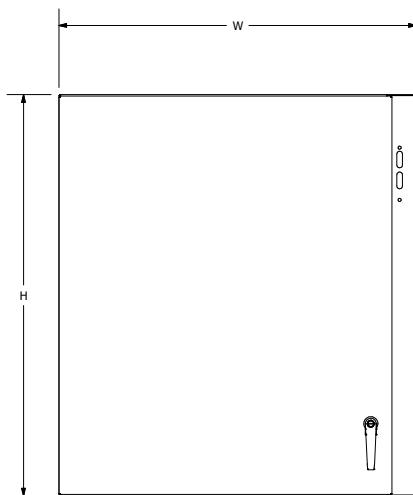
- ANSI 61 gray polyester powder inside and out
- Stainless steel enclosures have a smooth grained finish
- **Optional** back panels are painted with a white polyester powder
- **Optional** "G" panels are pre-galvanized steel

Accessories

- Back panels (reference table)
- Blank Adapter Plates on page G60

IMPORTANT Ordering Information

- See page G14 for disconnect switch, circuit breakers, operating handle and operating mechanism.



SECTION X-X

N412-CD N412-CDSS ULTIMATE SERIES ENCLOSURES NEMA 412 SINGLE DOOR FLANGED DISCONNECT

G7

N412CD ULTIMATE SERIES WALL-MOUNT DISCONNECT CARBON STEEL

Catalog Number	Enclosure Size HxWxD	Back Panel Catalog Number*		Back Panel Size AxB
		White	"G"	
N412202208CD	20.00 x 22.00 x 8.00 (508 x 559 x 203)	NP2020C	NP2020CG	18.2 x 18.2 (462 x 462)
N412242208CD	24.00 x 22.00 x 8.00 (610 x 559 x 203)	NP2420C	NP2420CG	22.2 x 18.2 (564 x 462)
N412242608CD	24.00 x 26.00 x 8.00 (610 x 660 x 203)	NP2424C	NP2424CG	22.2 x 22.2 (564 x 564)
N412302608CD	30.00 x 26.00 x 8.00 (762 x 660 x 203)	NP3024C	NP3024CG	28.2 x 22.2 (716 x 564)
N412362608CD	36.00 x 26.00 x 8.00 (914 x 660 x 203)	NP3624C	NP3624CG	34.2 x 22.2 (869 x 564)
N412363208CD	36.00 x 32.00 x 8.00 (914 x 813 x 203)	NP3630C	NP3630CG	34.2 x 28.2 (869 x 716)
N412423212CD	42.00 x 32.00 x 12.00 (1067 x 813 x 305)	NP4230C	NP4230CG	40.2 x 28.2 (1021 x 716)
N412423812CD	42.00 x 38.00 x 12.00 (1067 x 965 x 305)	NP4236C	NP4236CG	40.2 x 34.2 (1021 x 869)
N412483812CD	48.00 x 38.00 x 12.00 (1219 x 965 x 305)	NP4836C	NP4836CG	46.2 x 34.2 (1173 x 869)
N412603812CD	60.00 x 38.00 x 12.00 (1524 x 965 x 305)	NP6036C	NP6036CG	58.2 x 34.2 (1478 x 869)

N412CDSS ULTIMATE SERIES WALL-MOUNT DISCONNECT 304 STAINLESS STEEL

Catalog Number	Enclosure Size HxWxD	Back Panel Catalog Number*		Back Panel Size AxB
		White	"G"	
N412202208CDSS	20.00 x 22.00 x 8.00 (508 x 559 x 203)	NP2020C	NP2020CG	18.2 x 18.2 (462 x 462)
N412242208CDSS	24.00 x 22.00 x 8.00 (610 x 559 x 203)	NP2420C	NP2420CG	22.2 x 18.2 (564 x 462)
N412242608CDSS	24.00 x 26.00 x 8.00 (610 x 660 x 203)	NP2424C	NP2424CG	22.2 x 22.2 (564 x 564)
N412302608CDSS	30.00 x 26.00 x 8.00 (762 x 660 x 203)	NP3024C	NP3024CG	28.2 x 22.2 (716 x 564)
N412362608CDSS	36.00 x 26.00 x 8.00 (914 x 660 x 203)	NP3624C	NP3624CG	34.2 x 22.2 (869 x 564)
N412363208CDSS	36.00 x 32.00 x 8.00 (914 x 813 x 203)	NP3630C	NP3630CG	34.2 x 28.2 (869 x 716)
N412423212CDSS	42.00 x 32.00 x 12.00 (1067 x 813 x 305)	NP4230C	NP4230CG	40.2 x 28.2 (1021 x 716)
N412423812CDSS	42.00 x 38.00 x 12.00 (1067 x 965 x 305)	NP4236C	NP4236CG	40.2 x 34.2 (1021 x 869)
N412483812CDSS	48.00 x 38.00 x 12.00 (1219 x 965 x 305)	NP4836C	NP4836CG	46.2 x 34.2 (1173 x 869)
N412603812CDSS	60.00 x 38.00 x 12.00 (1524 x 965 x 305)	NP6036C	NP6036CG	58.2 x 34.2 (1478 x 869)

N412CDSSA ULTIMATE SERIES WALL-MOUNT DISCONNECT 316L STAINLESS STEEL

Catalog Number	Enclosure Size HxWxD	Back Panel Catalog Number*		Back Panel Size AxB
		White	"G"	
N412202208CDSSA	20.00 x 22.00 x 8.00 (508 x 559 x 203)	NP2020C	NP2020CG	18.2 x 18.2 (462 x 462)
N412242208CDSSA	24.00 x 22.00 x 8.00 (610 x 559 x 203)	NP2420C	NP2420CG	22.2 x 18.2 (564 x 462)
N412242608CDSSA	24.00 x 26.00 x 8.00 (610 x 660 x 203)	NP2424C	NP2424CG	22.2 x 22.2 (564 x 564)
N412302608CDSSA	30.00 x 26.00 x 8.00 (762 x 660 x 203)	NP3024C	NP3024CG	28.2 x 22.2 (716 x 564)
N412362608CDSSA	36.00 x 26.00 x 8.00 (914 x 660 x 203)	NP3624C	NP3624CG	34.2 x 22.2 (869 x 564)
N412363208CDSSA	36.00 x 32.00 x 8.00 (914 x 813 x 203)	NP3630C	NP3630CG	34.2 x 28.2 (869 x 716)
N412423212CDSSA	42.00 x 32.00 x 12.00 (1067 x 813 x 305)	NP4230C	NP4230CG	40.2 x 28.2 (1021 x 716)
N412423812CDSSA	42.00 x 38.00 x 12.00 (1067 x 965 x 305)	NP4236C	NP4236CG	40.2 x 34.2 (1021 x 869)
N412483812CDSSA	48.00 x 38.00 x 12.00 (1219 x 965 x 305)	NP4836C	NP4836CG	46.2 x 34.2 (1173 x 869)
N412603812CDSSA	60.00 x 38.00 x 12.00 (1524 x 965 x 305)	NP6036C	NP6036CG	58.2 x 34.2 (1478 x 869)

*Back panels must be ordered separately.

N412-CSTD & N412-CSSSTD SLOPE-TOP FLANGED DISCONNECT ULTIMATE SERIES ENCLOSURES



N412242608CSSSTD

Industry Standards

UL 508A, Type 3R, 4, 4X, 12 & 13
CSA Certified, Type 3R, 4, 4X, 12 & 13
NEMA/EEMAC Type 3R, 4, 4X, 12 & 13
Wall mounting kits are required to
maintain UL/CSA external mounting
requirements
IEC 60529, IP66

 UL File E64791

 CSA File LL66078

FEATURES-SPECIFICATIONS

Applications

N412CDTD & N412CSSSTD Ultimate Series Disconnects are designed to house and protect electrical and electronic components in harsh, dirty environments. For use in installations where dirt, dust, oil, water or other contaminants are present. Streamlined styling, latching, and attractive durable finish complements any high tech electronic equipment.

Construction

- Bodies and doors are fabricated from carbon steel or 304 stainless steel
- Seams are continuously welded and ground smooth
- Increased tub opening for better access
- 20 Degree sloped top
- Sloped "Top Tub Flange"

- Concealed hinges
- Doors are interchangeable and easily removed
- Grounding provisions are provided
- Door handle contains a slotted insert defeater mechanism
- Doors are sealed with a poured in place gasket
- Mounting holes in the back of the enclosure are provided
- Studs for mounting **optional** Ultimate Series back panels are provided
- Door handle and latching hardware are provided
- Latching system interlocks with the disconnect handle for added safety
- 2-point latch system up to 36" in height and 3-point latch system on enclosures 42" and higher

Finish

- ANSI 61 gray polyester powder inside and out
- Stainless steel enclosures have a smooth grained finish
- **Optional** back panels are painted with a white polyester powder
- **Optional** "G" are panels pre-galvanized steel

Accessories

- Back panels (reference table)
- See pages L1-L24

IMPORTANT Ordering Information

- See G14 for disconnect switch, circuit breakers, operating handle and operating mechanism.

N412CSTD & N412CSSTD ULTIMATE SERIES ENCLOSURES SLOPE-TOP SINGLE DOOR FLANGED DISCONNECT

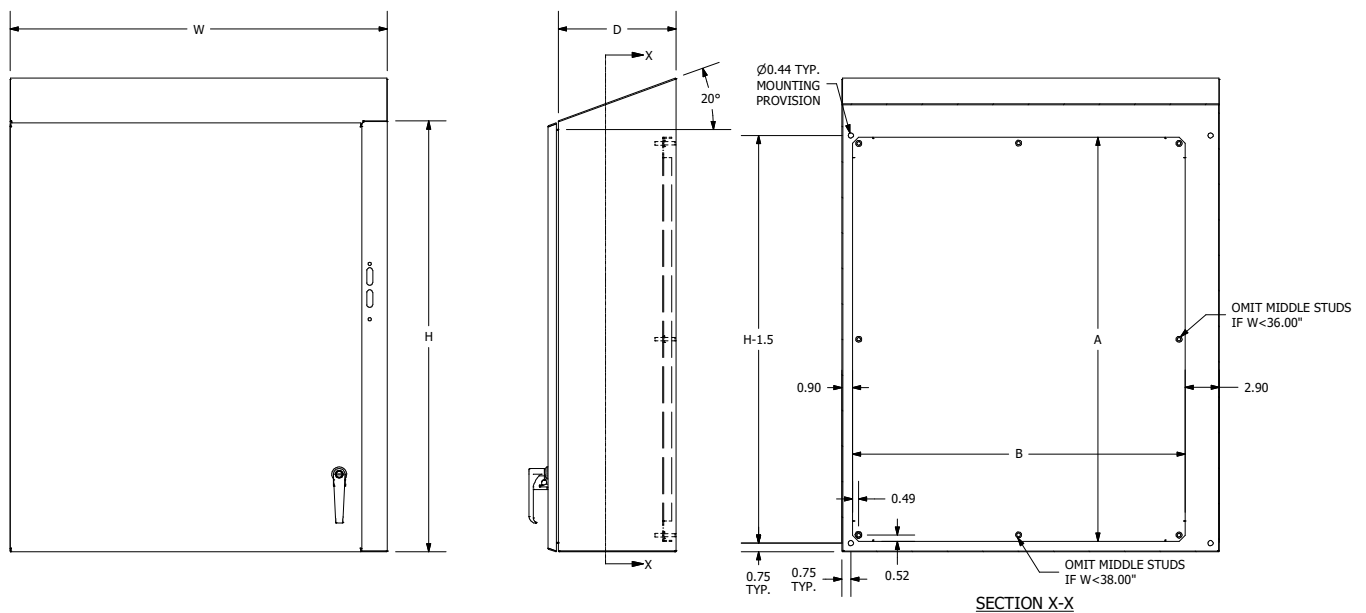
N412-CSTD ULTIMATE SERIES SLOPE-TOP SINGLE DOOR DISCONNECT

Catalog Number	Enclosure Size HxWxD	Back Panel Catalog Number*		Back Panel Size AxB
		White	"G"	
N412202208CSTD	20.00 x 22.00 x 8.00 (508 x 559 x 203)	NP2020C	NP2020CG	18.2 x 18.2 (462 x 462)
N412242208CSTD	24.00 x 22.00 x 8.00 (610 x 559 x 203)	NP2420C	NP2420CG	22.2 x 18.2 (564 x 462)
N412242608CSTD	24.00 x 26.00 x 8.00 (610 x 660 x 203)	NP2424C	NP2424CG	22.2 x 22.2 (564 x 564)
N412302608CSTD	30.00 x 26.00 x 8.00 (762 x 660 x 203)	NP3024C	NP3024CG	28.2 x 22.2 (716 x 564)
N412363210CSTD	36.00 x 32.00 x 10.00 (914 x 660 x 203)	NP3630C	NP3630CG	34.2 x 28.2 (869 x 716)
N412423212CSTD	42.00 x 32.00 x 12.00 (1067 x 813 x 305)	NP4230C	NP4230CG	40.2 x 28.2 (1021 x 716)
N412483812CSTD	48.00 x 38.00 x 12.00 (1219 x 965 x 305)	NP4836C	NP4836CG	46.2 x 34.2 (1173 x 869)
N412603812CSTD	60.00 x 38.00 x 12.00 (1524 x 965 x 305)	NP6036C	NP6036CG	58.2 x 34.2 (1478 x 869)

N412-CSSSTD ULTIMATE SERIES SLOPE-TOP SINGLE DOOR DISCONNECT

Catalog Number	Enclosure Size HxWxD	Back Panel Catalog Number*		Back Panel Size AxB
		White	"G"	
N412242608CSSSTD	24.00 x 26.00 x 8.00 (610 x 660 x 203)	NP2424C	NP2424CG	22.2 x 22.2 (564 x 564)
N412302608CSSSTD	30.00 x 26.00 x 8.00 (762 x 660 x 203)	NP3024C	NP3024CG	28.2 x 22.2 (716 x 564)
N412363208CSSSTD	36.00 x 32.00 x 8.00 (914 x 660 x 203)	NP3630C	NP3630CG	34.2 x 28.2 (869 x 716)
N412483816CSSSTD	48.00 x 38.00 x 16.00 (1219 x 965 x 305)	NP4836C	NP4836CG	46.2 x 34.2 (1173 x 869)
N412603816CSSSTD	60.00 x 38.00 x 16.00 (1524 x 965 x 305)	NP6036C	NP6036CG	58.2 x 34.2 (1478 x 869)

*Back panels must be ordered separately.



SN4 SERIES ENCLOSURES NEMA 4 SINGLE DOOR FLANGED DISCONNECT



SN4242108

Industry Standards

UL 508A, Type 4, 12, & 13
CSA Certified, Type 4 & 12
NEMA/EEMAC Type 4, 12, & 13

 UL File E64791

 CSA File LL66078

FEATURES-SPECIFICATIONS

Construction

- Bodies and doors are fabricated from carbon steel
- Seams are continuously welded and ground smooth
- Rolled lip around all sides of the enclosure opening to exclude liquids and contaminants
- All exterior hardware is stainless steel
- Stainless steel door clamps are provided around three sides of the door for a water-tight seal. Additional door hardware is not required
- Doors are easily removed by pulling continuous hinge pin

- Doors are sealed with a poured in place gasket
- External mounting feet are provided
- Collar studs for mounting **optional** back panels are provided
- Grounding provisions are provided
- Interlock door catch is provided
- Holes provided in body for mounting disconnect operating handle and operating mechanism. These enclosures are designed to operate properly without the use of door hardware

Finish

- ANSI 61 gray polyester powder inside and out
- **Optional** back panels are painted with a white polyester powder
- **Optional** "G" panels are pre-galvanized steel

Accessories

- Back panels (reference table)
- Blank Adapter Plates on page G60

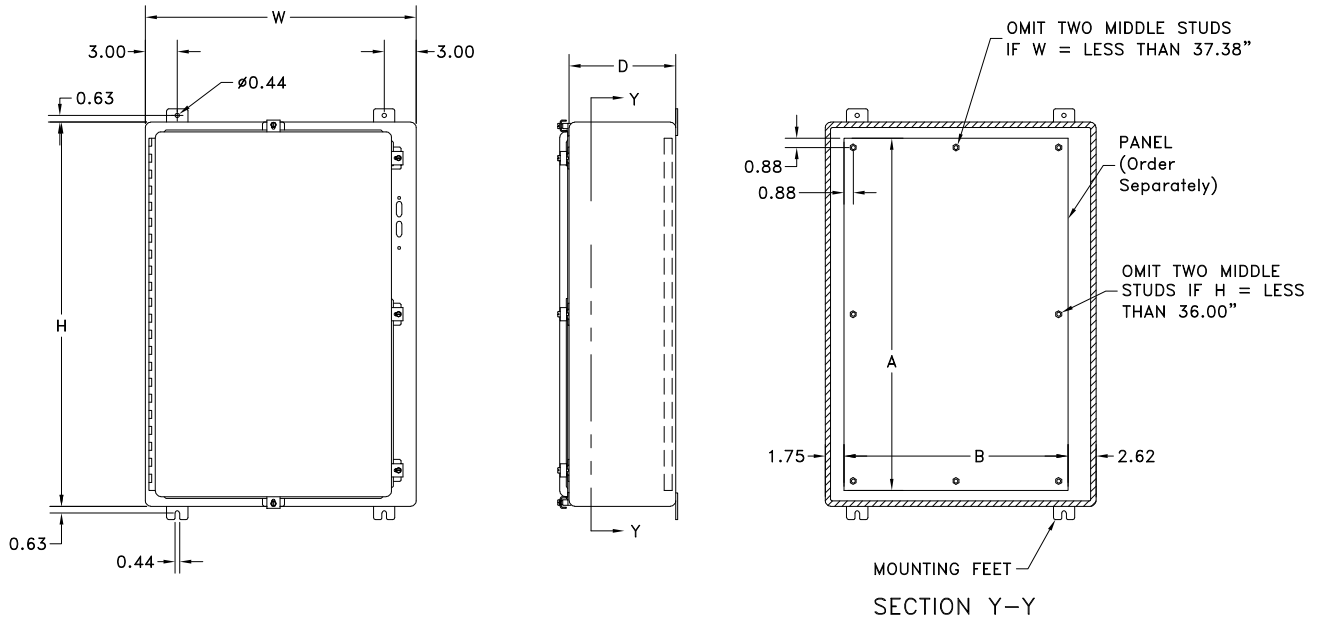
IMPORTANT Ordering Information

- See page G15 for disconnect switch, circuit breakers, operating handle and operating mechanism.

SN4 SERIES WALL-MOUNT DISCONNECT

Catalog Number	Enclosure Size HxWxD	Back Panel Catalog Number*		Back Panel Size AxB
		White	"G"	
SN4242108	24.00x21.38x8.13 (610x543x207)	NP2420	NP2420G	21.00x17.00 (533x432)
SN4242508	24.00x25.38x8.13 (610x645x207)	NP2424	NP2424G	21.00x21.00 (533x533)
SN4302508	30.00x25.38x8.13 (762x645x207)	NP3024	NP3024G	27.00x21.00 (686x533)
SN4363108	36.00x31.38x8.13 (914x797x207)	NP3630	NP3630G	33.00x27.00 (838x686)
SN4423112	42.00x31.38x12.13 (1067x797x308)	NP4230	NP4230G	39.00x27.00 (991x686)
SN4423712	42.00x37.38x12.13 (1067x949x308)	NP4236	NP4236G	39.00x33.00 (991x838)
SN4483712	48.00x37.38x12.13 (1219x949x308)	NP4836	NP4836G	45.00x33.00 (1143x838)
SN4603712	60.00x37.38x12.13 (1524x949x308)	NP6036	NP6036G	57.00x33.00 (1448x838)

*Back panels must be ordered separately



Space Occupied by Disconnect

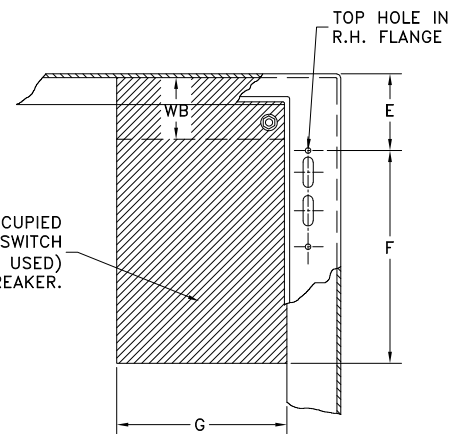
- E = 8.63 when D = 8.00
- E = 10.13 when D = 10.00
- E = 11.62 when D = 12.00
- WB = Wiring Space

See pages F9-F15 for various brands of disconnects for "F", "G", & "WB" dimensions.

Disconnects will occupy space on panel shown by dimensions "E", "F", & "G". Wiring space "WB" is available when disconnect is installed in the enclosure.

Refer to National Electrical Code 1996 article 430-10(b) for wiring space required for line side conductors to be connected to disconnect. Verify your application to determine if wiring space is adequate.

THIS SPACE IS OCCUPIED BY DISCONNECT SWITCH AND FUSE CLIP (IF USED) OR CIRCUIT BREAKER.



SSN4X SERIES ENCLOSURES NEMA 4X SINGLE DOOR FLANGED DISCONNECT



SSN4X242108

Industry Standards

UL 508A, Types 3R 4, 4X, 12, & 13

CSA Certified, Types 4X & 12

NEMA/EEMAC Types 3R, 4, 4X, 12, & 13



UL File E64791



CSA File LL66078

FEATURES-SPECIFICATIONS

Construction

- Bodies and doors are fabricated from 304 or 316L stainless steel
- Seams are continuously welded and ground smooth
- Rolled lip around all sides of the enclosure opening to exclude liquids and contaminants
- Stainless steel door clamps are provided around three sides of the door for a water-tight seal. Additional door hardware is not required
- Doors are easily removed by pulling stainless steel continuous hinge pin

- Doors are sealed with a poured in place gasket
- External mounting feet are provided
- Collar studs for mounting **optional** back panels are provided
- Grounding provisions are provided
- Interlock door catch is provided
- Holes are provided in body for mounting disconnect operating handle and operating mechanism. These enclosures are designed to operate properly without the use of door hardware

Finish

- Exterior surfaces of the enclosure have a smooth grained finish
- **Optional** back panels are painted with a white polyester powder
- **Optional** "G" panels are pre-galvanized steel
- **Optional** 304SS panels are made of 304 stainless steel

Accessories

- Back panels (reference table)
- Blank Adapter Plates on page G60

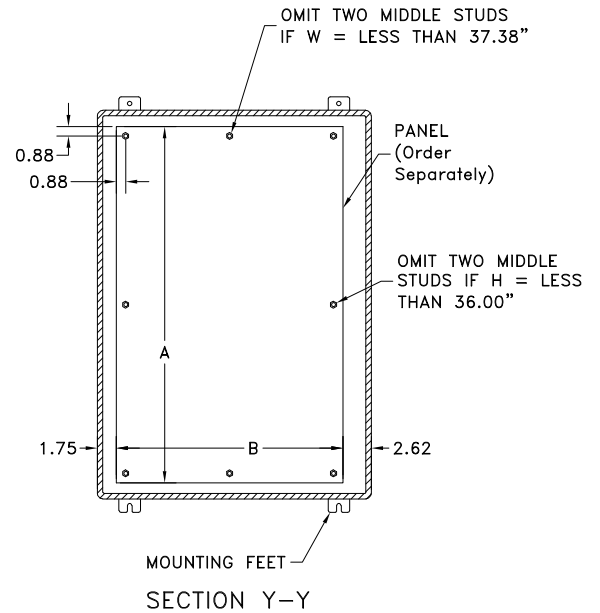
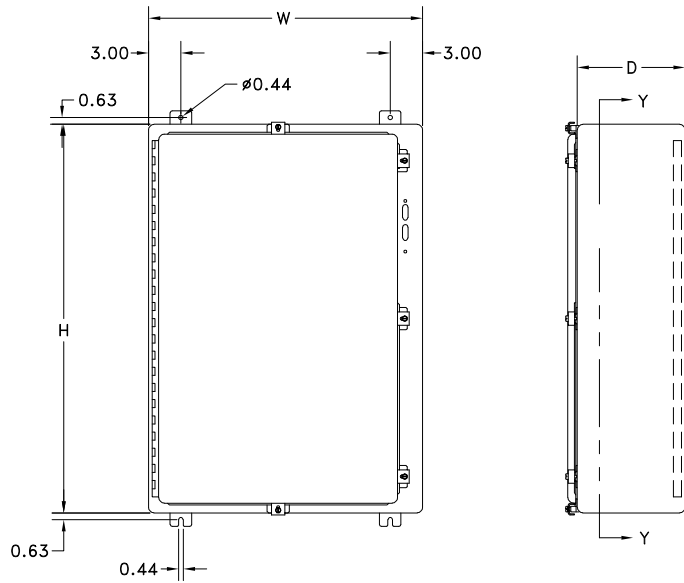
IMPORTANT Ordering Information

- See page G15 for disconnect switch, circuit breakers, operating handle and operating mechanism

SSN4X SERIES STAINLESS STEEL WALL-MOUNT DISCONNECT

Catalog Number		Enclosure Size HxWxD	Back Panel Catalog Number*			Back Panel Size AxB
304	316L		White	304 SS	"G"	
SSN4X242108	SSN4X242108A	24.00x21.38x8.13 (610x543x207)	NP2420	NP2420SS	NP2420G	21.00x17.00 (533x432)
SSN4X242508	SSN4X242508A	24.00x25.38x8.13 (610x645x207)	NP2424	NP2424SS	NP2424G	21.00x21.00 (533x533)
SSN4X302508	SSN4X302508A	30.00x25.38x8.13 (762x645x207)	NP3024	NP3024SS	NP3024G	27.00x21.00 (686x533)
SSN4X362508	SSN4X362508A	36.00x25.38x8.13 (914x645x207)	NP3624	NP3624SS	NP3624G	33.00x21.00 (838x533)
SSN4X363108	SSN4X363108A	36.00x31.38x8.13 (914x797x207)	NP3630	NP3630SS	NP3630G	33.00x27.00 (838x686)
SSN4X423112	SSN4X423112A	42.00x31.38x12.13 (1067x797x308)	NP4230	NP4230SS	NP4230G	39.00x27.00 (991x686)
SSN4X423712	SSN4X423712A	42.00x37.38x12.13 (1067x949x308)	NP4236	NP4236SS	NP4236G	39.00x33.00 (991x838)
SSN4X483712	SSN4X483712A	48.00x37.38x12.13 (1219x949x308)	NP4836	NP4836SS	NP4836G	45.00x33.00 (1143x838)
SSN4X603712	SSN4X603712A	60.00x37.38x12.13 (1524x949x308)	NP6036	NP6036SS	NP6036G	57.00x33.00 (1448x838)

*Back panels must be ordered separately.



MOUNTING FEET
SECTION Y-Y

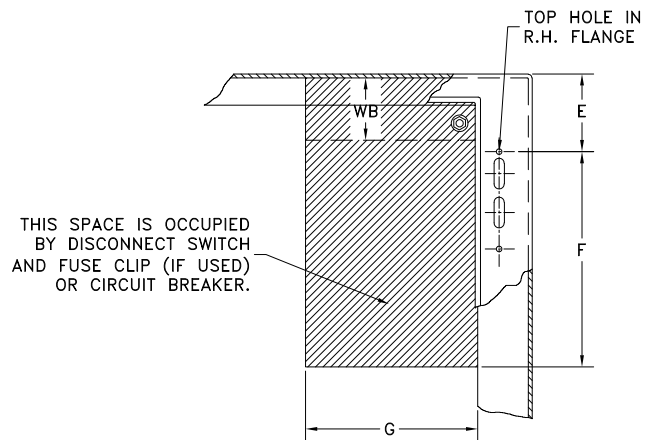
Space Occupied by Disconnect

- E = 8.63 when D = 8.00
- E = 10.13 when D = 10.00
- E = 11.62 when D = 12.00
- WB = Wiring Space

See pages F9-F15 for various brands of disconnects for "F", "G", & "WB" dimensions.

Disconnects will occupy space on panel shown by dimensions "E", "F", & "G". Wiring space "WB" is available when disconnect is installed in the enclosure.

Refer to National Electrical Code 1996 article 430-10(b) for wiring space required for line side conductors to be connected to disconnect. Verify your application to determine if wiring space is adequate.



DISCONNECT ORDERING INFORMATION

When ordering wall-mounted disconnects from the various manufacturers, be sure to order all of the necessary items. Each company has a different system, so care is required. Order the following items from the disconnect manufacturer. or FH-DHK and FH-3RL for 3-point latching)

Allen-Bradley

- 1494V disconnect switches with flange-mount variable depth operating mechanisms and 1494V flange-mounted variable depth operating mechanisms for circuit breakers
- 140U flexible cable operating mechanisms and 140U molded case circuit breakers
- 1494C cable-operated disconnect switches with flange-mount handles
- 194RC cable-operated flange-mount handles for use with the NFPA 79 compliant 194R IEC rotary disconnect switches

Allen-Bradley 1494V-R1, -R2 and -W2 operating handles and Allen-Bradley 1494F disconnect devices or 1494D circuit breaker operators will NOT fit these enclosures.

When using a Bulletin 1494V disconnect switch, order:

- * 1. A disconnect switch with operating mechanism (Bulletin 1494V)
- * 2. Bulletin 1494-H1 operating handle (Use Bulletin 1494-H2 for enclosure catalog number SDN12603812A)
- * 3. A connecting rod [Bulletin 1494V-RA1 for 8.00" (203mm) and 10.00" (254mm) deep enclosures; Bulletin 1494V-RA2 for 12.00" (305mm) and 16.00" (406mm) deep enclosures; two of Bulletin 1494-RB2 for 400 amp or 600 amp switch in a SDN12603812A]
- * 4. A trailer fuse block kit, if required (Bulletin 1494V)
- * 5. A fuse clip kit, if required
- 6. Line and load connectors, if required
- ** 7. Door hardware (Bulletin 1494V-L1 for 2-point latching or Bulletin 1494V-L1 and 1494V-L2 for 3-point door latching)

When using a Bulletin 1494V circuit breaker operating mechanism, order:

- 1. A circuit breaker (C-H)
- 2. A circuit breaker operating mechanism (Bulletin 1494V)
- 3. An operating handle (Bulletin 1494V-H11)
- 4. A connecting rod [Bulletin 1494V-RA1 for 8.00" (203mm) and 10.00" (254mm) deep enclosures or Bulletin 1494V-RA2 for 12.00" (305mm) and 16.00" (406mm) deep enclosures]
- ** 5. Door hardware (Bulletin 1494V-L1 for 2-point latching or Bulletin 1494V-L1 and 1494V-L2 for 3-point door latching)

Allen-Bradley 1494 F Series See G23-G26

ABB Controls

When using a disconnect switch, order:

- 1. A flange operated switch (fusible or non-fusible)
- 2. A shaft [DSFHS-12 for 8.00" (203mm), 10.00" (254mm) and 12.00" (305mm) deep enclosures or DSFHS-17 for 16.00" (406mm) deep enclosures]
- 3. A handle (DSFGN-HS12)
- ** 4. Door hardware (FH-DHK for 2-point latching or FH-DHK and FH-3RL for 3-point latching)

When using a circuit breaker, order:

- 1. A circuit breaker (ABB)
- * 2. An operating mechanism
- * 3. A shaft [FHS-12 for 8.00" (203mm), 10.00" (254mm) and 12.00" (305mm) deep enclosures or FHS-17 for 16.00" (406mm) deep enclosures]
- * 4. Handle mechanism (FHN-HS12)
- ** 5. Door hardware (FH-DHK for 2-point latching

Eaton Cutler-Hammer

When using a Type C361 disconnect switch, order:

- * 1. A disconnect switch with an operating mechanism
- * 2. An operating handle (C361H1 or C361H3)
- ** 3. Door hardware (C361KJ4 or C361KJ6 for 2-point latching, C361KJ4 or C361KJ6 and C361KR for 3-point latching)

When using a Type C371 circuit breaker operating mechanism with a C-H circuit breaker, order:

- 1. A circuit breaker
- * 2. An operating mechanism
- * 3. An operating handle
- ** 4. Door hardware (C361KJ4 or C361KJ6 for 2-point latching, C361KJ4 or C361KJ6 and C361KR for 3-point latching)

When using a C-H circuit breaker with a Flex Shaft™ handle mechanism, order:

- 1. A circuit breaker
- 2. A complete Flex Shaft™ handle mechanism
- ** 3. Door hardware (C361KJ4 or C361KJ6 for 2-point latching, C361KJ4 or C361KJ6 and C361KR for 3-point latching)

General Electric

When using a disconnect switch, order:

- 1. A disconnect switch (Type QMR or QMW)
- 2. A fuse clip kit or no-fuse kit
- 3. A flange handle (STDA1 or STDA2)
- 4. A variable depth operating mechanism
- ** 5. Door hardware (TDV1 for 2-point latching or TDV1 and TDV3 for 3-point latching)

When using a circuit breaker with a Spectra Flex™ cable operator, order:

- 1. A circuit breaker
- 2. A flange-mounted handle mechanism
- 3. A breaker-mounted mechanism
- 4. An operating cable
- ** 5. Door hardware (TDV1 for 2-point latching or TDV1 and TDV3 for 3-point latching)

When using a circuit breaker, order:

- 1. A circuit breaker
- 2. A flange handle (STDA1 or STDA2)
- 3. A variable depth operating mechanism
- ** 4. Door hardware (TDV1 for 2-point latching or TDV1 and TDV3 for 3-point latching)

Siemens I-T-E Max-Flex™

When using a disconnect switch, order:

- 1. A basic switch (right-hand)
- 2. A fuse or no-fuse kit
- * 3. FHOHS flange-mounted handle
- * 4. Switch operator
- * 5. Cable, 36"
- ** 6. Door hardware (DKR2 for 2-point latching or DKR3 for 3-point latching)

NOTE: Some I-T-E fixed depth switch operators can be used. Contact Hubbell/Wiegmann for more information.

When using a circuit breaker, order:

- 1. A circuit breaker
- 2. Pressure wire connectors
- * 3. FHOH flange-mounted handle (Use FHOHN for enclosure catalog number SDN12603812A)

Siemens ITE Max-Flex™ (cont.)

- * 4. A circuit breaker operator mechanism
- * 5. An operating cable (standard 36.00" for 125 amp to 600 amp circuit breakers, and 48.00" for 800 amp to 1200 amp circuit breakers)
- ** 6. Door hardware (DKR2 for 2-point latching or DKR2 for 3-point latching)

Schneider Square D®

When using a Class 9422 disconnect switch, order:

- * 1. A disconnect switch with operating mechanism (Class 9422)
- * 2. A handle mechanism (Class 9422 Type A-1)
- ** 3. A door closing mechanism (Class 9423 Type M4 for 2-point latching, or Class 9423 Type M9 or M4 and Class 9423 Type M3 for 3-point latching)

When using a circuit breaker, order:

- 1. A circuit breaker (Schneider Square D®)
- * 2. An operating mechanism (Class 9422)
- * 3. A handle mechanism (Class 9422 Type A-1)
- ** 4. A door closing mechanism (Class 9423 Type M4 for 2-point latching, or Class 9423 Type M9 or M4 and Class 9423 Type M3 for 3-point latching)

When using a Class 9422 Type "T" disconnect switch with a cable mechanism, order:

- 1. A disconnect switch with operating mechanism (Class 9422, Type T)
- 2. A handle mechanism (Class 9422, Type A-1)
- 3. A cable mechanism (Class 9422, CFT_O) 3-, 5-, or 10-foot
- ** 4. A door closing mechanism (Class 9423 Type M4 for 2-point latching, or Class 9423 Type M9 or M4 and Class 9423 Type M3 for 3-point latching)

When using a circuit breaker with a cable mechanism, order:

- 1. A circuit breaker (Schneider Square D®)
- 2. A handle mechanism (Class 9422, Type A-1)
- 3. A cable mechanism (Class 9422, CFT_O) 3-, 5-, or 10-foot
- ** 4. A door closing mechanism (Class 9423 Type M4 for 2-point latching, or Class 9423 Type M9 or M4 and Class 9423 Type M3 for 3-point latching)

** Items available from disconnect manufacturer as complete kits.*

*** Enclosure "A" dimension less than 40.00" (1016mm) requires a 2-point door closing mechanism. Enclosures with an "A" dimension of 40.00" or more require a 3-point latching mechanism.*

PLEASE NOTE:

1. Operator adapter plates are not required with enclosures on page G2-G13.
2. Various other switch accessories and circuit breaker accessories are available from disconnect manufacturers. The information is subject to change without notice. Please contact Hubbell/Wiegmann or the disconnect manufacturer if there are further questions.
3. The "Space Occupied" tables (pages G16-G22) are based upon information supplied by disconnect manufacturers. Hubbell/Wiegmann does not assume responsibility for the accuracy of these dimensions.
4. Check to make certain enclosure size is adequate for disconnect mechanisms and wire bend space both above line lugs and below load lugs.

DISCONNECT ORDERING INFORMATION

When ordering wall-mounted disconnects from the various manufacturers, be sure to order all of the necessary items. Each company has a different system, so care is required. Order the following items from the disconnect manufacturer.

Use a Type 4 & 4X disconnect operating handle on the enclosure flange to provide corrosion resistance and maintain enclosure rating.

Allen-Bradley

When using a Bulletin 1494V disconnect switch, order:

1. A disconnect switch with operating mechanism (Bulletin 1494V)
2. An operating handle (Bulletin 1494V-W1)
3. A connecting rod [Bulletin 1494V-RA1 for 8.00" (203mm) deep enclosures; Bulletin 1494V-RA2 for 12.00" (305mm) deep enclosures]
4. A trailer fuse block kit, if required (Bulletin 1494V)
5. A fuse clip kit, if required
6. Line and load connectors, if required

When using a Bulletin 1494V circuit breaker operating mechanism, order:

1. A circuit breaker (C-H)
2. A circuit breaker operating mechanism (Bulletin 1494V)
3. An operating handle (Bulletin 494V-W11)
4. A connecting rod [Bulletin 1494V-RA1 for 8.00" (203mm) deep enclosures; Bulletin 1494V-RA2 for 12.00" (305mm) deep enclosures]

ABB Controls

When using a disconnect switch, order:

1. A flange operated switch (fusible or non-fusible)
2. A shaft [DSFHS-12]
3. A handle (DSFHN-HS4)

When using a circuit breaker, order:

1. A circuit breaker (ABB)
2. An operating mechanism
3. A shaft [FHS-12]
4. A handle (FHN-HS4)

Eaton Cutler-Hammer

PLEASE NOTE:

1. Operator adapter plates and door hardware are not required with enclosures on page G2-G13.
2. Various other switch accessories and circuit breaker accessories are available from disconnect manufacturers. The above information is subject to change without notice. Please contact Hubbell-Wiegmann or the disconnect manufacturer if there are further questions.
3. The "Space Occupied" tables (pages G16-G22) are based upon information supplied by disconnect manufacturers. Hubbell-Wiegmann does not assume responsibility for the accuracy of these dimensions.

When using a Type C361 disconnect switch, order:

1. A disconnect switch with an operating mechanism
2. An operating handle (C361H2 or C361H4)

When using a Type C371 circuit breaker operating mechanism with a C-H circuit breaker, order:

1. A circuit breaker
2. An operating mechanism
3. An operating handle (C371H2 or C371H4)

When using a C-H circuit breaker with a Type 4/4X Flex Shaft™ handle mechanism, order:

1. A circuit breaker
2. A complete Flex Shaft™ handle mechanism

General Electric

When using a disconnect switch, order:

1. A disconnect switch (Type QMR or QMW)
2. A fuse clip kit or no-fuse kit
3. A flange handle (STDA1X)
4. A variable depth operating mechanism

When using a circuit breaker, order:

1. A circuit breaker
2. A flange handle (STDA1X)
3. A variable depth operating mechanism

When using a circuit breaker with a Spectra Flex™ cable operator, order:

1. A circuit breaker
2. A flange-mounted handle mechanism
3. A breaker-mounted mechanism
4. An operating cable

Siemens ITE Max-Flex™

When using a disconnect switch, order:

1. A basic switch (right-hand)
2. A fuse or no-fuse kit
3. A flange-mounted handle (FHOHS4)
4. Switch operator
5. Cable, 36.00"

When using a circuit breaker, order:

1. A circuit breaker
2. Pressure wire connectors
3. A flange-mounted handle (FH0H4)
4. A circuit breaker operator mechanism
5. An operating cable (standard 36.00")

Schneider Square D®

When using a Class 9422 disconnect switch, order:

1. A disconnect switch with operating mechanism (Class 9422)
2. A handle mechanism (Class 9422 Type A-2 or A-1)

When using a circuit breaker, order:

1. A circuit breaker (Schneider Square D®)
2. An operating mechanism (Class 9422)
3. A handle mechanism (Class 9422 Type A-2 or A-1)

When using a Class 9422 Type "T" disconnect switch with a cable mechanism, order:

1. A disconnect switch with operating mechanism (Class 9422, Type T)
2. A handle mechanism (Class 9422 Type A-1)

3. A cable mechanism (Class 9422 CFT_O) 3-, 5-, or 10-foot

When using a circuit breaker with a cable mechanism, order:

1. A circuit breaker (Schneider Square D®)
2. A handle mechanism (Class 9422 Type A-1)
3. A cable mechanism (Class 9422 CFT_O) 3-, 5-, or 10-foot

* Items available from disconnect manufacturer as complete kits.

**ABN12, SDN12, SDN12PL, N412CD,
N412CSTD, N412CSSSTD, SN4 & SSN4X SERIES ENCLOSURES
DISCONNECT SPACE OCCUPIED & AVAILABLE WIRING SPACE INFORMATION**

ALLEN-BRADLEY BULLETIN 1494V DISCONNECTS

Type Number	Amp Rating	Fuse Clip	Fuse Class	Wire Bend Space "WB" Above Disconnect						
				Space Occupied		ABN12, SDN12, SDN12PL, N412CD, N412CSTD & N412CSSSTD (pages G2-G9)			SN4 & SSN4X wall-mounts (pages G10-G13)	
				F	G*	When D= 8.00 WB	When D= 10.00 WB	When D= 12 or 16 WB	When D= 8.00 WB	When D= 12.00 WB
DS30	30A	No fuse	—	3.88	6.62	2.78	5.15	9.66	6.66	9.66
DS30	30A	30A-250V	H, K, R	5.25	6.62	2.78	5.15	9.66	6.66	9.66
DS30	30A	30A-600V	H, K, R	8	6.62	2.78	5.15	9.66	6.66	9.66
DS30	30A	30A-600V	J	5.25	6.62	2.78	5.15	9.66	6.66	9.66
DS30	30A	60A-250V	H, K	6	6.62	2.78	5.15	9.66	6.66	9.66
DS30	30A	60A-600V	H, K	8.5	6.62	2.78	5.15	9.66	6.66	9.66
DS30	30A	60A-600V	J	5.38	6.62	2.78	5.15	9.66	6.66	9.66
DS60	60A	No fuse	—	3.88	6.62	2.01	4.35	8.89	5.89	8.89
DS60	60A	60A-250V	H, K, R	6	6.62	2.01	4.35	8.89	5.89	8.89
DS60	60A	60A-600V	H, K, R	8.5	6.62	2.01	4.35	8.89	5.89	8.89
DS60	60A	60A-600V	J	5.38	6.62	2.01	4.35	8.89	5.89	8.89
DS60	60A	30A-600V	H, K, R	8	6.62	2.01	4.35	8.89	5.89	8.89
DS60	60A	100A-250V	H, K	8.5	6.62	2.01	4.35	8.89	5.89	8.89
DS60	60A	100A-600V	H, K	10.5	6.62	2.01	4.35	8.89	5.89	8.89
DS60	60A	100A-600V	J	7.25	6.62	2.01	4.35	8.89	5.89	8.89
DS100	100A***	No fuse	—	3.88	6.62	—	4.17	8.67	5.7	8.7
DS100	100A***	100A-250V	H, K, R	8.12	6.62	—	4.17	8.67	5.7	8.7
DS100	100A***	100A-600V	H, K, R	10.12	6.62	—	4.17	8.67	5.7	8.7
DS100	100A***	100A-600V	J	6.88	6.62	—	4.17	8.67	5.7	8.7
DS100	100A***	60A-600V	H, K, R	10.12	6.62	—	4.17	8.67	5.7	8.7
DS100	100A***	60A-600V	J	8.88	6.62	—	4.17	8.67	5.7	8.7
DS200	200A***	No fuse	—	4.75	7.88	—	—	8.12	—	8.12
DS200	200A***	200A-250V	H, K, R	10.88	7.88	—	—	8.12	—	8.12
DS200	200A***	200A-600V	H, K, R	13.38	7.88	—	—	8.12	—	8.12
DS200	200A***	200A-600V	J	9.5	7.88	—	—	8.12	—	8.12
DS200	200A***	100A-600V	H, K, R	12	7.88	—	—	8.12	—	8.12
DS200	200A***	100A-600V	J	8.75	7.88	—	—	8.12	—	8.12
DS400	400A**	No fuse	—	10.75	10.88	—	—	—	—	—
DS400	400A**	400A-250V	H, K, R	16.12	10.88	—	—	—	—	—
DS400	400A**	400A-600V	H, K, R	19.12	10.88	—	—	—	—	—
DS400	400A**	400A-600V	J	14.62	10.88	—	—	—	—	—
DS600	600A	No fuse	—	10.75	10.88	—	—	—	—	—
DS600	600A****	600A-250V	H, R	10.75	10.88	—	—	—	—	—
DS600	600A****	600A-600V	H, R	10.75	10.88	—	—	—	—	—
DS600	600A	600A-600V	J	17.59	10.88	—	—	—	—	—

ALLEN-BRADLEY BULLETIN 1494V DISCONNECTS

M40	15A-150A	EHD, FD, FDB FDC, HFD, HMCP,	—	5	4.5	4.25	6.62	11.12	8.12	11.12
M50	70A-250A	Circuit Breakers JD, JDB, JDC, HJD, HMCP	—	9.75	4.75	—	—	10.62	—	10.62
M60	100A-400A	Circuit Breakers KD, KDB, KDC, HKD, HMCP	—	9.69	6.12	—	—	10.5	—	10.5

* Does not include space for optional auxiliary switch.

** The 400 amp disconnect switch and the 600 amp disconnect switch will only fit catalog number SDN12603812A (see page G4). Wire bend space of 12.13" is provided above disconnect when installed.

*** Series B

**** "F" and "G" do not include separately mounted fuse blocks.

**ABN12, SDN12, SDN12PL, N412CD,
N412CSTD, N412CSSSTD, SN4 & SSN4X SERIES ENCLOSURES
DISCONNECT SPACE OCCUPIED & AVAILABLE WIRING SPACE INFORMATION**

G17

ABB CONTROLS DISCONNECT SWITCHES WITH FLANGE-MOUNTED OPERATORS

Type Number	Amp Rating	Fuse Clip	Fuse Class	Wire Bend Space "WB" Above Disconnect							
				Space Occupied			ABN12, SDN12, SDN12PL, N412CD, N412CSTD & N412CSSSTD (pages G2-G9)			SN4 & SSN4X wall-mounts (pages G10-G13)	
				F	G*	When D= 8.00 WB	When D= 10.00 WB	When D= 12 or 16 WB	When D= 8.00 WB	When D= 12.00 WB	
OETL-NF30-F	40A	No fuse	—	4.45	3.78	6.41	8.75	13.28	10.28	13.28	
OETL-NF60-F	80A	No fuse	—	4.86	3.78	6.22	8.56	13.09	10.09	13.09	
OETL-NF100-F	100A	No fuse	—	4.86	4.78	5.66	8	12.53	9.53	12.53	
OETL-NF175-F	175A	No fuse	—	7.3	6.49	—	5.75	10.28	7.28	10.28	
OETL-NF200-F	200A	No fuse	—	7.36	7.28	—	5.75	10.28	7.28	10.28	
OESA-F30J6-F	30A	30A-600V	J	4.28	6.58	4.73	7.07	11.61	8.61	11.61	
OESA-F60J6-F	60A	60A-600V	J	4.28	6.26	4.73	7.07	11.61	8.61	11.61	
OESA-F100J6-F	100A	100A-600V	J	6.54	7.65	4.3	6.64	11.17	8.17	11.17	

ABB CONTROLS CIRCUIT BREAKERS WITH FLANGE-MOUNTED OPERATORS

Mechanism	Amp Rating	Wire Bend Space "WB" Above Disconnect							
		Space Occupied			ABN12, SDN12, SDN12PL, N412CD, N412CSTD & N412CSSSTD (pages G2-G9)			SN4 & SSN4X wall-mounts (pages G10-G13)	
		F	G*	When D= 8.00 WB	When D= 10.00 WB	When D= 12 or 16 WB	When D= 8.00 WB	When D= 12.00 WB	
K2FHD-M	100A	6.92	3.94	3.39	5.73	10.26	7.26	10.26	
K3FHD-M	150A-225A	5.98	4.23	—	—	5.56	5.56	5.56	
K4FHD-M	250A	7.44	4.23	—	—	3.95	—	3.95	
K5FHD-M	400A	9.71	5.62	—	—	—	—	—	
K5FHD-M	600A/800A	8.28	11.26	—	—	—	—	—	
K5FHD-M	800A	10.11	11.26	—	—	—	—	—	

EATON CUTLER-HAMMER C361 CIRCUIT DISCONNECT SWITCHES

Switch Number	Type Number	Amp Rating	Fuse Clip	Fuse Class	Wire Bend Space "WB" Above Disconnect							
					Space Occupied			ABN12, SDN12, SDN12PL, N412CD, N412CSTD & N412CSSSTD (pages G2-G9)			SN4 & SSN4X wall-mounts (pages G10-G13)	
					F	G*	When D= 8.00 WB	When D= 10.00 WB	When D= 12 or 16 WB	When D= 8.00 WB	When D= 12.00 WB	
C361	NC	30A	No fuse	—	5.75	7.43	3.44	5.75	10.31	7.31	10.31	
C361	SC21	30A	30A-250V	H, K, R	8.38	7.43	3.44	5.75	10.31	7.31	10.31	
C361	SC61	30A	60A-250V	H, K, R	8.38	7.43	3.44	5.75	10.31	7.31	10.31	
C361	SC61	30A	30A-600V	H, J, K, R	8.38	7.43	3.44	5.75	10.31	7.31	10.31	
C361	ND	60A	No fuse	—	5.75	7.43	3.44	5.75	10.31	7.31	10.31	
C361	SD22	60A	60A-250V	H, K, R	8.38	7.43	3.44	5.75	10.31	7.31	10.31	
C361	SD22	60A	30A-600V	J	8.38	7.43	3.44	5.75	10.31	7.31	10.31	
C361	SD62	60A	60A-600V	H, K, R	8.38	7.43	3.44	5.75	10.31	7.31	10.31	
C361	SD62	60A	60A-600V	J	8.38	7.43	3.44	5.75	10.31	7.31	10.31	
C361	NE	100A	No fuse	—	5.56	8.95	3	5.38	9.91	7.47	9.91	
C361	SE263	100A	100A-250V	H, K, R	10.31	8.95	3	5.38	9.91	7.47	9.91	
C361	SE263	100A	100A-600V	H, K, R	10.31	8.95	3	5.38	9.91	7.47	9.91	
C361	SE263	100A	100A-600V	J	10.31	8.95	3	5.38	9.91	7.47	9.91	
C361	NF*	200A	No fuse	—	13.06	10	—	—	7.94	4.94	7.94	
C361	SF264*	200A	200A-250V	H, K, R	13.06	10	—	—	7.94	4.94	7.94	
C361	SF264*	200A	200A-600V	H, J, K, R	13.06	10	—	—	7.94	4.94	7.94	

*200 amp switch should be installed in an enclosure with an "H" dimension of 30.00" (762mm) or more.

ABN12, SDN12, SDN12PL, N412CD, N412CSTD, N412CSSSTD, SN4 & SSN4X SERIES ENCLOSURES DISCONNECT SPACE OCCUPIED & AVAILABLE WIRING SPACE INFORMATION

EATON CUTLER-HAMMER C371 CIRCUIT BREAKER OPERATORS FOR C-H CIRCUIT BREAKERS

Type Number	Max Amp Rating	Frame Type	Wire Bend Space "WB" Above Disconnect						
			Space Occupied		ABN12, SDN12, SDN12PL, N412CD, N412CSTD & N412CSSSTD (pages G2-G9)			SN4 & SSN4X wall-mounts (pages G10-G13)	
			F	G*	When D= 8.00 WB	When D= 10.00 WB	When D= 12 or 16 WB	When D= 8.00 WB	When D= 12.00 WB
C371E	225A	F Frame: EHD, FDB, FD, HFD, FDC	6	5.5	4.44	6.81	11.44	8.44	11.44
C371E	150A	F Frame: HMCP	6	5.5	4.44	6.81	11.44	8.44	11.44
C371F	250A	J Frame: JDB, JD, HJD, JDC	8.94	8	—	6.75	11.25	—	11.25
C371F	250A	J Frame: HMCP	10.94	8	—	6.75	11.25	—	11.25
C371F	400A	K Frame: dk, kdb, kd, hkd	9.75	8	—	—	10.75	—	10.75
C371F	400A	K Frame: HMCP	9.75	8	—	—	10.75	—	10.75
C371G	600A	L Frame: ld, hld, ldc	8.44	11.88	—	—	9.18	—	9.18
C371G	600A	L Frame: HMCP	8.44	11.88	—	—	9.18	—	9.18

EATON CUTLER-HAMMER FLEX SHAFT™ OPERATOR MECHANISM FOR C-H CIRCUIT BREAKERS

Complete Operator Mechanism	Amp Rating	Frame Type	Breaker Height	Breaker Width
F1S03	225A	F FRAME: EHD, FDB, FD, HFD, FDC	6	4.12
F1S03	150A	F FRAME: HMCP	6	4.12
F2S03	250A	J FRAME: JDB, JD, HJD, JDC	10	4.12
F2S03	250A	J FRAME: HMCP	10	4.12
F3S03	400A	K FRAME: DK, KDB, KD, HKD	10.12	5.5
F3S03	400A	K FRAME: HMCP	12.45	5.5
F4S04	600A	L FRAME: LD, HLD, LDC	10.75	8.25
F4S04	600A	L FRAME: HMCP	12.5	8.25
F7S04	800A	M FRAME: MD, MDS	16	8.25
F5S04	1200A	N FRAME: ND, HND, NDC	16	8.25
F6S04	2500A	R FRAME: RD, CRD, RDC	16	15.5

Catalog numbers for complete mechanisms include a flange-mounted handle, flexible shaft and circuit breaker mechanism. The last digit of the catalog number denotes the length of shaft (F1S03 = 3-foot shaft). The F, J, K frame Flex Shafts™ are available in 3-foot to 10-foot lengths. The L, N, R frame Flex Shafts are available in 4-foot to 6-foot lengths.

Space Occupied by Disconnect

- The Flex Shaft™ system allows the circuit breaker to be positioned independent from the flange-mounted handle mechanism.
- Refer to National Electrical Code® article 430-10(b) for wiring space "WB" required for line side conductors.
- Choose the length of shaft based on placement of the circuit breaker in the enclosure ensuring a 4-inch min. bending radius for the Flex Shaft™.
- Space occupied by circuit breaker is determined by overall height "X", width "Y", wire bend space "WB" and location "G" as selected from right to left.

**ABN12, SDN12, SDN12PL, N412CD,
N412CSTD, N412CSSSTD, SN4 & SSN4X SERIES ENCLOSURES
DISCONNECT SPACE OCCUPIED & AVAILABLE WIRING SPACE INFORMATION**

GENERAL ELECTRIC TYPE STDA OPERATORS FOR DISCONNECTS

Mechanism	Amp Rating	Fuse Clip	Fuse Class	Wire Bend Space "WB" Above Disconnect						
				Space Occupied		ABN12, SDN12, SDN12PL, N412CD, N412CSTD & N412CSSSTD (pages G2-G9)			SN4 & SSN4X wall-mounts (pages G10-G13)	
				F	G*	When D= 8.00 WB	When D= 10.00 WB	When D= 12 or 16 WB	When D= 8.00 WB	When D= 12.00 WB
TDOM1A	30A	No fuse	—	7.75**	5.25	6.18*	7.62	12.12	9.12	12.12
TDOM1A	30A	30A-250V	H, R	7.75**	5.25	6.18*	7.62	12.12	9.12	12.12
TDOM1B	30A	30A-600V	H, R	12.38**	5.25	6.18*	7.62	12.12	9.12	12.12
TDOM1B	30A	60A-250V	H, R	12.38**	5.25	6.18*	7.62	12.12	9.12	12.12
TDOM1B	30A	60A-600V	H, R	12.38**	5.25	6.18*	7.62	12.12	9.12	12.12
TDOM1A	60A	No fuse	—	7.75**	5.25	6.18*	7.62	12.12	9.12	12.12
TDOM1B	60A	60A-250V	H, R	12.38**	5.25	6.18*	7.62	12.12	9.12	12.12
TDOM1B	60A	60A-600V	H, R	12.38**	5.25	6.18*	7.62	12.12	9.12	12.12
TDOM1B	60A	100A-250V	H, R	12.38**	5.25	6.18*	7.62	12.12	9.12	12.12
TDOM1B	60A	100A-600V	H, R	12.38**	5.25	6.18*	7.62	12.12	9.12	12.12
TDOM1A	100A	No fuse	—	7.75**	5.25	6.18*	7.62	12.12	9.12	12.12
TDOM1B	100A	100A-250V	H, R	12.38**	5.25	6.18*	7.62	12.12	9.12	12.12
TDOM1B	100A	100A-600V	H, R	12.38**	5.25	6.18*	7.62	12.12	9.12	12.12
TDOM1B	100A	200A-250V	H, R	12.38**	5.25	6.18*	7.62	12.12	9.12	12.12
TDOM1B	100A	200A-600V	H, R	12.38**	5.25	6.18*	7.62	12.12	9.12	12.12
TDOM2	200A	No fuse	—	7	9.12	—	—	9.5	6.5	9.5
TDOM2	200A	200A-250V	H, R	15.38	9.12	—	—	9.5	6.5	9.5
TDOM2	200A	200A-600V	H, R	15.38	9.12	—	—	9.5	6.5	9.5

* Disconnect moved down .88" to fit on panel.

**Dimension applies to 8.00" (203mm) deep enclosures and is .88" less in deeper enclosures.

GENERAL ELECTRIC TYPE STDA OPERATORS FOR DISCONNECTS

Mechanism	Amp Rating	Frame Type	Wire Bend Space "WB" Above Disconnect						
			Space Occupied		ABN12, SDN12, SDN12PL, N412CD, N412CSTD & N412CSSSTD (pages G2-G9)			SN4 & SSN4X wall-mounts (pages G10-G13)	
			F	G*	When D= 8.00 WB	When D= 10.00 WB	When D= 12 or 16 WB	When D= 8.00 WB	When D= 12.00 WB
SDOM1A	150A	TEB, TED, THED	7.75**	5.25	6.06*	7.5	12.06	9.06	12.06
SDOM1A	150A	TEC	7.75**	5.25	6.06*	7.5	12.06	9.06	12.06
TDOM1B	150A	TB1	12.38**	5.25	6.06*	7.5	12.06	9.06	12.06
TDOM1B	150A	TEC, TECL	12.38**	5.25	6.06*	7.5	12.06	9.06	12.06
TDOM1C	150A	TEL	7.75**	5.25	6.06*	7.5	12.06	9.06	12.06
TDOM1D	150A	THLC1	7.75**	5.25	—	5.12	9.62	6.62	9.62
TDOM3	225A	TFJ	10.38	5.75	—	6.06	10.62	7.62	10.62
TDOM3	225A	TFK, THFK, TFL	10.38	5.75	—	6.06	10.62	7.62	10.62
TDOM4	400A	TJJ, TJK4, THJK4, TJL4V	8.25	9.38	—	5.12	9.69	6.69	9.69
TDOM4	600A	TJK6, THJK6, TJ4V, TJL4V	8.25	9.38	—	5.12	9.69	6.69	9.69
TDOM5	400A	TB4, TJH6S	14.25	9.38	—	5.12	9.69	6.69	9.69
TDOM6	225A	TLB2, THLC2	11.75	9.38	—	—	9.12	6.12	9.12
TDOM6	400A	TLB4, THLC4	11.75	9.38	—	—	7.75	4.75	7.75
SDOM1A	150A	SPECTRA SE150	7.75**	5.25	6.06*	7.5	12.06	9.06	12.06
SDOM3	250A	SPECTR SF250	10.38	5.75	—	6.06	10.62	7.06	10.06
SDOM4	600A	SPECTRA SG600	10	7	—	—	7.93	—	7.93

* Disconnect moved down .88" to fit on panel.

**Dimension applies to 8.00" (203mm) deep enclosures and is .88" less in deeper enclosures.

ABN12, SDN12, SDN12PL, N412CD, N412CSTD, N412CSSSTD, SN4 & SSN4X SERIES ENCLOSURES DISCONNECT SPACE OCCUPIED & AVAILABLE WIRING SPACE INFORMATION

GENERAL ELECTRIC CIRCUIT BREAKERS WITH SPECTRA FLEX™ CABLE OPERATORS

Frame Size	Maximum Amp Rating	Circuit Breaker Height X	Circuit Breaker Width Y	ABN12, SDN12, SDN12PL, N412CD, N412CSTD & N412CSSSTD (pages G2-G9)	SN4 & SSN4X wall-mounts (pages G10-G13)
E150	150A	6.31	4.12	For enclosures that accept these devices, see pages G2-G9.	For enclosures that accept these devices, see pages G10-G13
SE150	150A	6.31	4.12		
SF250	250A	10.12	4.12		
SG600	600A	10.09	5.5		
SK1200	1200A	15.5	8.25		

Frame Size	Breaker Mechanism	Flange Mounting Handle	Operating Cable
E150	SCOM1A	SCH1	SC3L
SE150/SF250	SCOM1EF	SCH1	SC3L
SG600	SCOM1G	SCH1	SC3L
SK1200	SCOM1K	SCH2K	SC3H

* Operating cables are available in 3-foot to 10-foot lengths. (The number 3 in the catalog number denotes 3-foot cable.)

** Add "X" for NEMA 4 or 4X flange-mounted handle.

Space Occupied by Circuit Breaker

- The General Electric Spectra-Flex™ system allows the circuit breaker to be positioned independent from the flange-mounted handle mechanism.
- Refer to National Electrical Code® article 430-10(b) for wiring space "WB" required for line side conductors.
- Choose the operating cable length based on placement of the circuit breaker in the enclosure ensuring a 3" minimum bending radius for the cable.
- Space occupied by circuit breaker is determined by overall circuit breaker size ("X" height and "Y" width) plus "WB" wire bend space and location "G" as selected from right to left.

I-T-E DISCONNECT SWITCHES FOR MAX-FLEX™ OPERATORS

Switch	Amp Rating	Fuse Clip	Fuse Class	Disconnect Height X	Disconnect Width Y	ABN12, SDN12, SDN12PL, N412CD, N412CSTD & N412CSSSTD (pages G2-G9)	SN4 & SSN4X wall-mounts (pages G10-G13)
MCS603R	30A	No fuse	—	5.52	6.13	For enclosures that accept these devices, see pages G2-G9.	For enclosures that accept these devices, see pages G10-G13
MCS603R	30A	30A-250V	H, K, R	8.11	6.13		
MCS603R	30A	30A-600V	H, K, R	10.11	6.13		
MCS603R	30A	30A-600V	J	8.48	6.13		
MCS606R	60A	No fuse	—	5.52	6.13		
MCS606R	60A	60A-250V	H, K, R	7.86	6.13		
MCS606R	60A	60A-600V	H, K, R	10.38	6.13		
MCS606R	60A	60A-600V	J	8.36	6.13		
MCS610R	100A	No fuse	—	7.59	7.38		
MCS610R	100A	100A-250V	H, K, R	11.85	7.38		
MCS610R	100A	100A-600V	H, K, R	13.85	7.38		
MCS610R	100A	100A-600V	J	10.6	7.38		
MCS620R	200A	No fuse	—	9.02	9.17		
MCS620R	200A	200A-250V	H, K, R	14.7	9.17		
MCS620R	200A	200A-600V	H, K, R	17.2	9.17		
MCS620R	200A	200A-600V	J	13.32	9.17		

ABN12, SDN12, SDN12PL, N412CD, N412CSTD, N412CSSSTD, SN4 & SSN4X SERIES ENCLOSURES DISCONNECT SPACE OCCUPIED & AVAILABLE WIRING SPACE INFORMATION

SIEMENS ITE CIRCUIT BREAKERS FOR MAX-FLEX™ OPERATORS

Complete Operator Mechanism	Circuit Breaker Frame	Maximum Amp Rating	Circuit Breaker Height X	Circuit Breaker Width Y	Circuit Breaker Type
FHOE036	ED	125A	6.34	3	ED2, ED4, ED6, HED4, HED6
FHOE036	CED	125A	9.58	3	CED6
FHOF036	FD	250A	9.5	4.5	FXD6-A, FD6-A, HFD6, FXD6-ETJ, HHFD6, HHFXD6
FHOJ036	CFD	250A	14.25	4.5	CFD6, CFD6-ETI
FHOJ036	JD	400A	11	7.5	JXD2, JXD6, JD6, HJD6, HHJD6, HHJXD6, JXD6-ETI
FHOJ036	CJD	400A	17.86	7.5	CJD6, CJD6-ETI
FHOJ036	LD	600A	11	7.5	LXD6, LD6, HLD6, HHL6, HHLXD6, LXD6-ETI
FHOJ036	CLD	600A	17.86	7.5	CLD6, CLD6-ETI
FHOLM036	LMD	800A	16	9	LMD6, LMXD6, HLM6, HLMXD6, LMXD6-ETI
FHON048*	MD	800A	24	9	MD2, MXD6, HMD6, HMXD6, CMD6, MXD6-ETI, CMD6-ETI
FHON048*	ND	1200A	24	9	ND6, NXD6, HND6, HNXD6, CND6

Mechanisms and circuit breakers listed above will fit any disconnect wall-mounts on pages G10-G13, or SN4 wall-mounts on pages G2-G9 except as noted.

The last 3 digits of operator mechanism number indicates cable length in inches. Also 48" cables are available for ED, FD, JD/LD operators, and 60" cables for MD/ND, PD/RD operators.

For Type 4 applications order handle, cable and circuit breaker separately.

*This operator mechanism can only be installed in catalog number SDN12603812A (see page G4) which has the appropriate flange cutout.

Space Occupied by Disconnect

- The Siemens ITE Max-Flex™ cable system allows the disconnect to be positioned independent from the flange-mounted handle mechanism.
- Refer to **National Electrical Code®** article 430-10(b) for wiring space "WB" required for line side conductors.
- Refer to Siemens ITE Max-Flex™ installation instructions for limits on disconnect location when 36-inch or 48-inch Max-Flex™ cables.
- Space occupied by disconnect is determined by overall height "X", width "Y", wire bend space "WB" and location "G" as selected from right to left.

SCHNEIDER SQUARE D® CLASS 9422 DISCONNECT SWITCHES USED WITH CABLE MECHANISM 9422-CFT30 & 9422A-1 HANDLE MECHANISM

Switch	Amp Rating	Fuse Clip	Fuse Class	Disconnect Height X	Disconnect Width Y	ABN12, SDN12, SDN12PL, N412CD, N412CSTD & N412CSSSTD (pages G2-G9)	SN4 & SSN4X wall-mounts (pages G10-G13)
TCN-30C	30A	No fuse	—	5.9	6.2	For enclosures that accept these devices, see pages G2-G9.	For enclosures that accept these devices, see pages G10-G13
TCF-30C	30A	30A-250V	H, K, R	7.5	6.2		
TCF-33C	30A	30A-600V	H, K, R	10.15	6.2		
TCF-33C	30A	60A-250V	H, K, R	8.15	6.2		
TCF-33C	30A	30A-600V	J	7.5	6.2		
TDN-60C	60A	No fuse	—	5.9	6.2		
TDF-60C	60A	30A-600V	H, K, R	10.15	6.2		
TDF-60C	60A	60A-250V	H, K, R	8.15	6.2		
TDF-63C	60A	60A-600V	H, K, R	10.65	6.2		
TDF-63C	60A	60A-600V	J	7.5	6.2		
TEN-10C	100A	No fuse	—	5.9	6.2		
TEF-10C	100A	100A-250V	H, K, R	10.35	6.2		
TEF-10C	100A	100A-600V	H, K, R	10.35	6.2		
TEF-10C	100A	100A-600V	J	10.35	6.2		

Use switches listed above with appropriate cable mechanism and 9422-A1 handle mechanism.

SCHNEIDER SQUARE D® CLASS 9422 CABLE MECHANISM FOR CIRCUIT BREAKERS

Cable Type Switch	Amp Rating	Frame Type	Disconnect Height X	Disconnect Width Y	ABN12, SDN12, SDN12PL, N412CD, N412CSTD & N412CSSSTD (pages G2-G9)	SN4 & SSN4X wall-mounts (pages G10-G13)
9422 CGJ30	75A	GJL	4.75	3.5	For enclosures that accept these devices, see pages G2-G9.	For enclosures that accept these devices, see pages G10-G13
9422 CGJ300	100A	GJL	4.75	3.5		
9422 CGJ30	100A	FAL, FHL	6	4.5		
9422 CGJ30	250A	KAL, KHL	8	4.5		
9422 CGJ30	400A	LAL, LHL, Q4L	11	6		

Space Occupied by Disconnect Switch or Circuit Breaker

- Schneider Square D® cable mechanisms allows disconnect devices to be positioned independent from the flange-mounted handle mechanism.
- Refer to **National Electrical Code®** article 430-10(b) for wiring space "WB" required for line side conductors.

- Choose cable mechanism length based on placement of disconnect in enclosure. See Schneider Square D® Instruction Bulletin for minimum bend radius for cable.
- Space occupied by disconnect is determined by overall height "X", width "Y", wire bend space "WB" and location "G" as selected from right to left.

ABN12, SDN12, SDN12PL, N412CD, N412CSTD, N412CSSSTD, SN4 & SSN4X SERIES ENCLOSURES DISCONNECT SPACE OCCUPIED & AVAILABLE WIRING SPACE INFORMATION

SCHNEIDER SQUARE D® CLASS 9422 VARIABLE DEPTH DISCONNECT

Mechanism	Amp Rating	Fuse Clip	Fuse Class	Space Occupied		Wire Bend Space "WB" Above Disconnect				
				F	G*	ABN12, SDN12, SDN12PL, N412CD, N412CSTD & N412CSSSTD (pages G2-G9)			SN4 & SSN4X wall-mounts (pages G10-G13)	
						When D= 8.00 WB	When D= 10.00 WB	When D= 12 or 16 WB	When D= 8.00 WB	When D= 12.00 WB
TCN-30	30A	No fuse	—	3.8	6.84	3.69	6.03	10.56	7.56	10.56
TCF-30	30A	30A-250V	H, K, R	5.53	6.84	3.69	6.03	10.56	7.56	10.56
TCF-33	30A	30A-600V	H, K, R	8.15	6.84	3.69	6.03	10.56	7.56	10.56
TCF-33	30A	60A-250V	H, K, R	6.15	6.84	3.69	6.03	10.56	7.56	10.56
TCF-33	30A	30A-600V	J	5.53	6.84	3.69	6.03	10.56	7.56	10.56
TDN-60	60A	No fuse	—	3.8	6.84	3.69	6.03	10.56	7.56	10.56
TDF-60	60A	30A-600V	H, K, R	8.15	6.84	3.69	6.03	10.56	7.56	10.56
TDF-60	60A	60A-250V	H, K, R	6.15	6.84	3.69	6.03	10.56	7.56	10.56
TDF-63	60A	60A-600V	H, K, R	8.65	6.84	3.69	6.03	10.56	7.56	10.56
TDF-63	60A	60A-600V	J	5.53	6.84	3.69	6.03	10.56	7.56	10.56
TEN-10	100A	No fuse	—	3.8	6.84	—	5.91	10.44	7.44	10.44
TEF-10	100A	100A-250V	H, K, R	8.25	6.84	—	5.91	10.44	7.44	10.44
TEF-10	100A	100A-600V	H, K, R	10.25	6.84	—	5.91	10.44	7.44	10.44
TEF-10	100A	100A-600V	J	7.05	6.84	—	5.91	10.44	7.44	10.44
TC-1	30A	No fuse	—	5.75	6	3.12	5.12	9.62	6.62	9.62
TC-2	30A	30A-250V	H, K, R	5.75	6	3.12	5.12	9.62	6.62	9.62
TC-3	30A	30A-600V	H, K, R	7.75	6	3.12	5.12	9.62	6.62	9.62
TC-3	30A	60A-250V	H, K, R	5.88	6	3.12	5.12	9.62	6.62	9.62
TC-3	30A	30A-600V	J	5.75	6	3.12	5.12	9.62	6.62	9.62
TD-1	60A	No fuse	—	6.38	6.62	3.62	6	10.5	7.5	10.5
TD-2	60A	30A-600V	H, K, R	8.5	6.62	3.62	6	10.5	7.5	10.5
TD-2	60A	60A-250V	H, K, R	6.5	6.62	3.62	6	10.5	7.5	10.5
TD-3	60A	60A-600V	H, K, R	9	6.62	3.62	6	10.5	7.5	10.5
TD-3	60A	60A-600V	J	6.38	6.62	3.62	6	10.5	7.5	10.5
TE-1	100A	No fuse	—	4.75	8.38	—	5.75	10.25	—	10.25
TE-2	100A	100A-250V	H, K, R	7.5	8.38	—	5.75	10.25	—	10.25
TE-2	100A	100A-600V	H, K, R	9.5	8.38	—	5.75	10.25	—	10.25
TE-2	100A	100A-600V	J	6.25	8.38	—	5.75	10.25	—	10.25
TE-3	100A	200A-600V	J	13.75	8.38	—	5.75	10.25	—	10.25
TF-1	200A	No fuse	—	5.5	11.62	—	—	8.88	—	8.88
TF-2	200A	200A-250V	H, K, R	11.5	11.62	—	—	8.88	—	8.88
TF-2	200A	200A-600V	H, K, R	14	11.62	—	—	8.88	—	8.88
TF-2	200A	200A-600V	J	10.12	11.62	—	—	8.88	—	8.88
TF-3	200A	400A-600V	J	14.5	11.62	—	—	8.88	—	8.88

SCHNEIDER SQUARE D® CLASS 9422 VARIABLE DEPTH

RG-1	75A	GJL	Circuit breaker	3.53	3.74	3.59	5.93	10.47	7.47	10.47
RG-1	100A	GJL	Circuit breaker	3.53	3.74	3.59	5.93	10.47	7.47	10.47
RN-1	100A	FAL, FHL	Circuit breaker	5.12	5.25	3.75	6.12	10.62	7.62	10.62
RP-1	250A	KAL, KHL	Circuit breaker	7.12	5.62	4.25*	6.88	11.38	8.38	11.38
RR-1	400A	LAL,LHL,Q4L	Circuit breaker	7.62	8.75	—	—	7	—	7

*Not recommended except with #1 or smaller line conductors.



ABN12242108

Industry Standards

UL 508A, Type 12 & 13
CSA Certified, Type 12
NEMA/EEMAC Type 12 & 13

 UL File E64791

 CSA File LL66078

FEATURES-SPECIFICATIONS

Applications

Designed to house Allen-Bradley 1494F flange-mounted disconnect switches and 1494D flange-mounted operators for circuit breakers. Provides protection from dust, dirt, oil and water.

Construction

- Bodies and doors are fabricated from carbon steel
- Seams are continuously welded and ground smooth
- Rolled lip around all sides of the enclosure opening to exclude liquids and contaminants
- Doors are easily removed by pulling continuous hinge pin
- Doors are sealed with a poured in place gasket
- External mounting feet are provided
- Collar studs for mounting **optional** back panels are provided
- Grounding provisions are provided

- Holes are provided in body and door for mounting disconnect switch, operating mechanism and door hardware.
- Interlock Door latch is provided
- Locking bars are also provided for door hardware
- Spacers and screws are provided to secure disconnect switch and fuse block adapter plate to the panel
- Enclosures under 40" high require 2-point door hardware
- Enclosures 40" high and larger require 3-point door hardware
- Instructions to locate and install disconnect switches, circuit breakers, and operating mechanisms is provided

Finish

- ANSI 61 gray polyester powder inside and out
- **Optional** back panels are painted with a white polyester powder

- **Optional** "G" panels are pre-galvanized steel

Accessories

- Back panels (reference table)
- Blank Adapter Plates on page G60

IMPORTANT

- Disconnect switch or circuit breakers, operating handle, operating mechanism, and door hardware are not furnished with enclosure and must be ordered separately from the disconnect manufacturer
- Operator adapter plates are not required with this enclosure
- Disconnect and door hardware ordering information is located on page G25
- Review space occupied by disconnect drawing on page G25 and disconnect tables on page G26 to determine if the disconnect device you are using will fit the enclosure size you have selected

ABN12 FIXED DEPTH SERIES WALL-MOUNT DISCONNECT

Catalog Number	Enclosure Size HxWxD	Back Panel Catalog Number*		Back Panel Size AxB
		White	"G"	
ABN12242108	24.00x21.38x8.13 (610x543x206)	NP2420	NP2420	21.00x17.00 (533x432)
ABN12242508	24.00x25.38x8.13 (610x645x206)	NP2424	NP2424	21.00x21.00 (533x533)
ABN12302108	30.00x21.38x8.13 (762x543x206)	NP3020	NP3020	27.00x17.00 (686x432)
ABN12302508	30.00x25.38x8.13 (762x645x206)	NP3024	NP3024	27.00x21.00 (686x533)
ABN12362508	36.00x25.38x8.13 (914x645x206)	NP3624	NP3624	33.00x21.00 (838x533)
ABN12363108	36.00x31.38x8.13 (914x797x206)	NP3630	NP3630	33.00x27.00 (838x686)
ABN12423108	42.00x31.38x8.13 (1067x797x206)	NP4230	NP4230	39.00x27.00 (991x686)
ABN12242110	24.00x21.38x10.13 (610x543x257)	NP2420	NP2420	21.00x17.00 (533x432)
ABN12242510	24.00x25.38x10.13 (610x645x257)	NP2424	NP2424	33.00x21.00 (838x533)
ABN12302110	30.00x21.38x10.13 (762x543x257)	NP3020	NP3020	27.00x17.00 (686x432)

*Back panels must be ordered separately.

continued on page G24

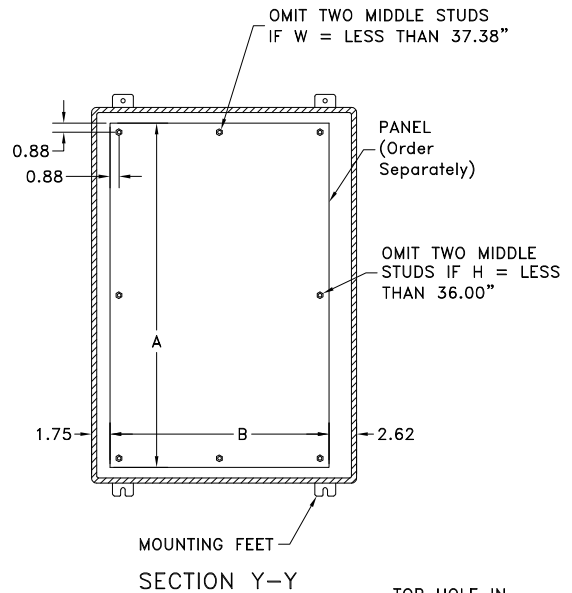
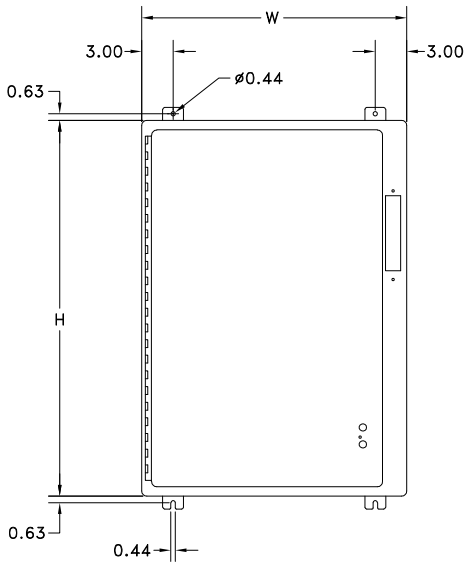
**ABN12 FIXED DEPTH SERIES ENCLOSURES
NEMA 12 FLANGED SINGLE DOOR DISCONNECT**

ABN12 FIXED DEPTH SERIES WALL-MOUNT DISCONNECT (CONT.)

Catalog Number	Enclosure Size HxWxD	Back Panel Catalog Number*		Back Panel Size AxB
		White	"G"	
ABN12362510	36.00x25.38x10.13 (914x645x257)	NP3624	NP3624G	33.00x21.00 (838x533)
ABN12363110	36.00x31.38x10.13 (914x797x257)	NP3630	NP3630G	33.00x27.00 (838x686)
ABN12423110	42.00x31.38x10.13 (1067x797x257)	NP4230	NP4230G	39.00x27.00 (991x686)
ABN12483710	48.00x37.38x10.13 (1219x949x257)	NP4836	NP4836G	45.00x33.00 (1143x838)
ABN12603710	60.00x37.38x10.13 (1524x949x257)	NP6036	NP6036G	57.00x33.00 (1448x838)
ABN12363212	36.00x32.38x12.13 (914x822x308)	NP3630	NP3630G	33.00x30.00 (838x762)
ABN12423212	42.00x32.38x12.13 (1067x822x308)	NP4230	NP4230G	45.00x30.00 (1143x762)
ABN12483812	48.00x38.38x12.13 (1219x975x308)	NP4836	NP4836G	45.00x34.00 (1143x864)
ABN12483812A***	48.00x38.38x12.13 (1219x975x308)	NP4836	NP4836G	45.00x34.00 (1143x864)
ABN12603812	60.00x38.38x12.13 (1524x975x308)	NP6036	NP6036G	57.00x34.00 (1448x864)
ABN12603812A***	60.00x38.38x12.13 (1524x975x308)	NP6036	NP6036G	57.00x34.00 (1448x864)
ABN12483816	48.00x38.38x16.13 (1219x975x410)	NP4836	NP4836G	45.00x33.00 (1143x838)
ABN12603816	60.00x38.38x16.13 (1524x975x410)	NP6036	NP6036G	57.00x33.00 (1448x838)

*Back panels must be ordered separately.

***Suitable for 200 AMP disconnect Switches and 1494F-L4 door hardware only. Blank adapter plate WA22BAP will not fit on these enclosures.



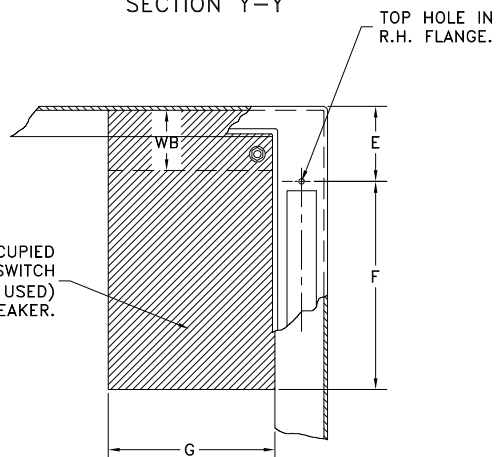
Note:
 E = 3.84 when D = 8.00
 E = 6.75 when D = 10.00
 E = 9.50 when D = 12.00
 (Except enclosures for 200 amp switches)

E = 9.50 when D = 16.00
 E = 10.50 when D = 12.00
 (Except enclosures for 200 amp switches)
 WB = Wiring Space

Disconnects will occupy space on panel shown by Dimensions "E", "F", & "G". Wiring space "WB" is available when disconnect is installed in the enclosure.

Refer to National Electrical Code 1996 article 430-10(b) for wiring space required for line side conductors to be connected to disconnect. Verify you application to determine if wiring space is adequate.

THIS SPACE IS OCCUPIED BY DISCONNECT SWITCH AND FUSE CLIP (IF USED) OR CIRCUIT BREAKER.



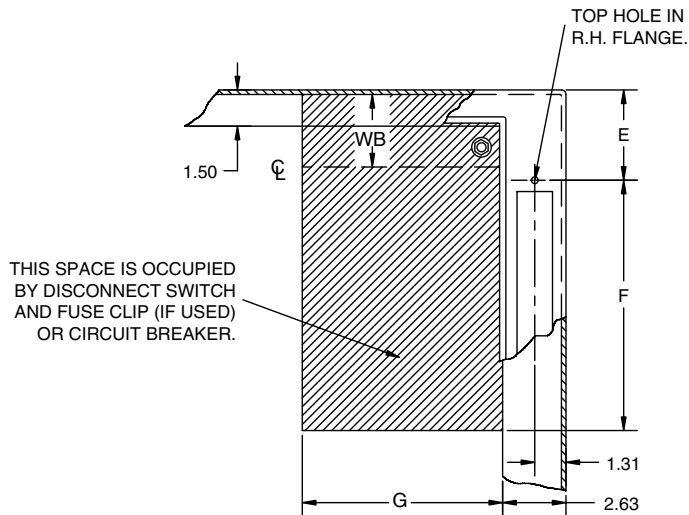
Space Occupied by Disconnect

- E = 3.84 when Depth = 8.00
- E = 6.75 when Depth = 10.00
- E = 9.50 when Depth = 12.00
(Except enclosures for 200 amp switches)
- E = 9.50 when Depth = 16.00
- E = 10.50 when Depth = 12.00
(Except enclosures for 200 amp switches)
- WB = Wiring Space

See page G26 for various brands of disconnects for "F", "G" & "WB" dimensions.

Disconnects will occupy space on panel shown by dimensions "E", "F" & "G". Wiring space "WB" is available when disconnect is installed in the enclosure.

Refer to *National Electrical Code*® article 430-10(b) for wiring space required for line side conductors to be connected to disconnect. Verify your application to determine if wiring space is adequate.



DISCONNECT ORDERING INFORMATION

When ordering wall-mounted disconnects from the following manufacturer, be sure to order all of the necessary items. Order the following items from the disconnect manufacturer.

Allen-Bradley

When using a Bulletin 1494F disconnect switch, order:

- * 1. A disconnect switch (30A, 60A, or 100A)
- 2. A fuse block adapter, if required
- 2. Line and load connectors, if required
- ** 4. Door hardware (Bulletin 1494F-L1 for 2-point latching, or Bulletin 1494F-L2 and 1494F-L3 for 3-point latching)

When using a Bulletin 1494D circuit breaker operating mechanism, order:

- 1. A circuit breaker (C-H)
- 2. An operating mechanism
- 3. A slide mechanism
- ** 4. Door hardware Bulletin 1494F-L1 for 2-point latching, or Bulletin 1494F-L2 and 1494F-L3 for 3-point latching)

PLEASE NOTE:

- 1. Operator adapter plates are not required with enclosures on page G60.
- 2. Various other switch accessories and circuit breaker accessories are available from disconnect manufacturers. The above information is subject to change without notice. Please contact Hubbell/Wiegmann or the disconnect manufacturer if there are further questions.
- 3. The "Space Occupied" tables (page G26) are based upon information supplied by the disconnect manufacturer. Hubbell/Wiegmann does not assume responsibility for the accuracy of these dimensions.

* Items available from disconnect manufacturer as complete kits.

**Enclosure "H" dimension less than 40" (1016mm) requires a 2-point door hardware (one Allen-Bradley catalog number 1494F-L1). Enclosures with an "H" dimension of 40.00-inches or more require a 3-point door hardware (one Allen-Bradley catalog number 1494F-L2 and one catalog number 1494F-L3).

**ABN12/1494F & 1494D SERIES ENCLOSURES
DISCONNECT SPACE OCCUPIED & AVAILABLE WIRING SPACE INFORMATION**

ALLEN-BRADLEY 1494F DISCONNECT SWITCHES

Fits Enclosure Depth				Type Number	Amp Rating	Fuse Clip	Fuse Class	Space Occupied		Wire Bend Space "WB" Above Disconnect ABN12, SDN12, SDN12PL, N412CD, N412CSTD & N412CSSSTD (pages G2-G9)		
8.00 (203)	10.00 (254)	12.00 (305)	16.00 (406)					F	G**	When E= 3.84 WB	When E= .75 WB	When E= 9.50 WB
•	•	•	•	N30	30A	No fuse	—	4.62	6.25	3.25	6.25	8.88
•	•	•	•	NF30	30A	30A-250V	H, K, R	6.25	6.25	3.25	6.25	8.88
•	•	•	•	NF30	30A	60A-250V	H, K, R	7.25	6.25	3.25	6.25	8.88
•	•	•	•	NF30	30A	30A-600V	H, K, R	9.25	6.25	3.25	6.25	8.88
•	•	•	•	NF30	30A	60A-600V	H, K, R	9.75	6.25	3.25	6.25	8.88
•	•	•	•	NF30	30A	30A-600V	J	6.5	6.25	3.25	6.25	8.88
•	•	•	•	NF30	30A	60A-600V	J	6.62	6.25	3.25	6.25	8.88
•	•	•	•	N60	60A	No fuse	—	4.62	6.25	2.5	5.25	8.12
•	•	•	•	NF60	60A	30A-600V	H, K, R	10.38	6.25	2.5	5.25	8.12
•	•	•	•	NF60	60A	60A-250V	H, K, R	8.38	6.25	2.5	5.25	8.12
•	•	•	•	NF60	60A	100A-250V	H, K, R	10.88	6.25	2.5	5.25	8.12
•	•	•	•	NF60	60A	60A-600V	H, K, R	10.88	6.25	2.5	5.25	8.12
•	•	•	•	NF60	60A	100A-600V	H, K, R	12.88	6.38	2.5	5.25	8.12
•	•	•	•	NF60	60A	60A-600V	J	7.75	6.25	2.5	5.25	8.12
•	•	•	•	NF60	60A	100A-600V	J	9.75	6.25	2.5	5.25	8.12
—	•	•	•	N100	100A	No fuse	—	4.62	7	—	3.5	6.25
—	•	•	•	NF100	100A	100A-250V	H, K, R	11.38	7	—	3.5	6.25
—	•	•	•	NF100	100A	200A-250V	H, K, R	12.25	7.25	—	3.5	6.25
—	•	•	•	NF100	100A	100A-600V	H, K, R	13.38	7.12	—	3.5	6.25
—	•	•	•	NF100	100A	200A-600V	H, K, R	14.75	7.38	—	3.5	6.25
—	•	•	•	NF100	100A	100A-600V	J	10.12	7	—	3.5	6.25
—	•	•	•	NF100	100A	200A-600V	J	10.88	7.25	—	3.5	6.25
—	—	•	—	N200	200A*	No fuse	—	7.12	10	—	—	7
—	—	•	—	NF200	200A*	200A-250V	H, K, R	15	10	—	—	7
—	—	•	—	NF200	200A*	400A-250V	H, K, R	16.56	10.38	—	—	7
—	—	•	—	NF200	200A*	200A-600V	H, K, R	17.56	10	—	—	7
—	—	•	—	NF200	200A*	400A-600V	H, K, R	19.56	10.62	—	—	7
—	—	•	—	NF200	200A*	200A-600V	J	13.69	10	—	—	7
—	—	•	—	NF200	200A*	400A-600V	J	15	10.25	—	—	7

ALLEN-BRADLEY 1494D CIRCUIT BREAKER OPERATORS

Fits Enclosure Depth				Type Number	Frame Rating	Breaker Type Frame Size (3 Pole)	Space Occupied		Wire Bend Space "WB" Above Disconnect ABN12/1494D (pages G23-25)		
8.00 (203)	10.00 (254)	12.00 (305)	16.00 (406)				F	G**	When E= 3.84 WB	When E= .75 WB	When E= 9.50 WB
•	•	•	•	N4/N40	150A	EHD, FD, FDB, FDC, HFD, HMCP	5.81	4.31	3.25	6.12	8.88
—	•	•	•	N5/N55	225A	General Electric TFK, THFK, TFC	8.81	4.5	—	5.34	8.09
—	•	•	•	N5/N50	250A	C-H JD, JDB, JDC, HJD, HMCP	8.81	4.5	—	5.31	8.06
—	•	•	•	N5/N60	400A	C-H KD, KDB, KDC, HKD, HMCP	8.81	5.62	—	5.44	8.19

* 200 amp switches can be installed only in 12.00-inch (305mm) deep enclosures that have provisions for 200 amp switches.
** The "G" dimension does not include space for auxiliary switches. See Allen-Bradley instructions for additional space required.



WA60X4912U



WA60CPX4912U

Industry Standards

UL 508A, Type 12
CSA Certified, Type 12
NEMA/EEMAC Type 12

 UL File E64791

 CSA File LL66078

FEATURES-SPECIFICATIONS

Construction

The Wiegmann universal cutout is used in large freestand and floorstand enclosures. Operator Adapter Kits are required in order to install the various manufacturers' hardware. Note that 400 A (or greater) disconnect switches and 600 A (or greater) circuit breakers need to use the "Large" or "High Amp" cutout, which is provided in the WA21ABVA kit for Allen-Bradley variable-depth disconnect switches or the WA21ITE kit for Siemens (and select other manufacturers) flex-cable devices. The "Large" or "High Amp" cutout accepts the larger operating handle whose mounting hole centers are 6.500-in. apart.

Allen-Bradley

- 1494V disconnect switches with flange-mount variable depth operating mechanisms and 1494V flange-mounted variable depth operating mechanisms for circuit breakers
- 140U flexible cable operating mechanisms and 140U molded case circuit breakers
- 1494C cable-operated disconnect switches with flange-mount handles
- 194RC cable-operated flange-mount handles for use with the NFPA 79 compliant 194R IEC rotary disconnect switches

Allen-Bradley 1494V-R1, -R2 and -W2 operating handles and Allen-Bradley 1494F disconnect devices or 1494D circuit breaker operators will NOT fit these enclosures.

- **ABB Controls** flange-mounted variable depth operating mechanisms for disconnect switches and circuit breakers
- **Eaton Cutler-Hammer** Type C361 disconnect switches and operating mechanisms, and Type C371 circuit breakers and circuit breakers operating mechanisms. Also Type SM safety handle mechanisms and Flex Shaft™ handle operators for circuit breakers
- **General Electric** Type STDA flange

handles and variable depth operating mechanisms for disconnect switches and circuit breakers. Also Spectra Flex™ cable operators for circuit breakers

- **Siemens ITE Max-Flex™** flange-mounted variable depth operating handles for disconnect switches and circuit breakers
- **Schneider Square D®** disconnect switches and circuit breakers used with Class 9422 flange-mounted variable depth operating mechanisms or cable mechanisms

These enclosures will not receive Class 9422 bracket-mounted disconnect devices, 9422TG1, or TG2 devices

Construction

- Bodies and doors are fabricated from carbon steel
- Seams are continuously welded and ground smooth
- Body stiffeners are provided for extra rigidity
- Heavy gauge continuous hinges to secure doors
- Heavy-duty 3-point padlocking handles on all doors
- 15-inch floor stands are welded to the enclosure
- Doors are sealed with a poured in place gasket
- Heavy-duty lifting eyes and provisions for lighting are provided
- Panel supports
- Collar studs are provided for mounting **optional** back panels
- Grounding provisions are provided
- Unless specified, the right door is considered to be the "Master" door on the "Right Flange" disconnect enclosures and the left door is the "Master" door on the "Center Post" disconnect enclosures

- A mechanical interlock is provided and prevents the slave door from opening before opening the master door
- Disconnects come with a universal cutout which provides mounting for most disconnect operators by using operator adapters
- Removable center post permits easy panel installation
- FTC rolled lip around all sides of the enclosure opening to exclude liquids and contaminants

Finish

- ANSI 61 gray polyester powder inside and out
- **Optional** back panels are painted with a white polyester powder
- **Optional** "G" panels are pre-galvanized steel

Accessories

- Back panels (reference table)
- See pages L1-L24
- Blank adapter plates on page G60

IMPORTANT

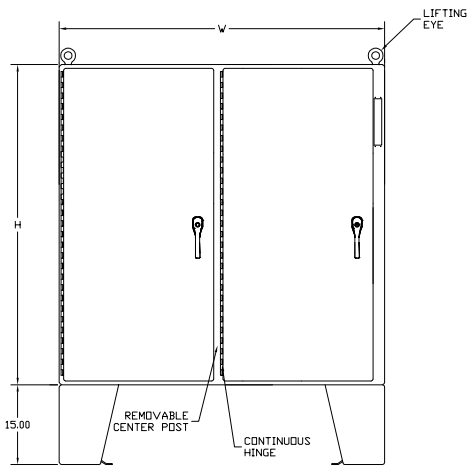
- Disconnect switch or circuit breakers, operating handle and operating mechanism are **not** furnished with the enclosure and must be ordered separately from the disconnect manufacturer.
- **Operator adapter plates are required** with this enclosure and must be purchased separately. See page G60 to select the proper operator adapter for the brand and type of disconnect being used
- Disconnect ordering information is located on page G30
- Review space occupied by disconnect drawings on page G29 and disconnect tables on pages G50-G59 to determine if the disconnect device you are using will fit the enclosure size you have selected

**WAX-U & WACPX-U SERIES ENCLOSURES
NEMA 12 TWO DOOR FLOOR-MOUNT DISCONNECT**

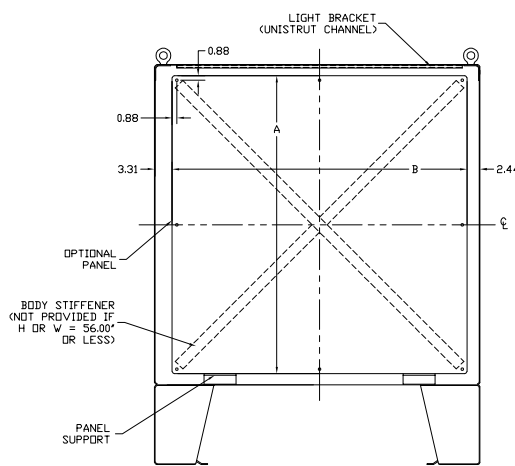
WAX-U AND WACPX-U SERIES TWO DOOR FLOOR-MOUNT DISCONNECTS

Catalog Number		Enclosure Size HxWxD	Back Panel Catalog Number*		Back Panel Size AxB*
Right Flange Mount	Center Post Mount		White	"G"	
WA60X4912U	WA60CPX4912U	60.13x49.75x12.13 (1527x1264x308)	NPDD6048	NPDD6048G	56.00x44.00 (1422x1118)
WA60X4918U	—	60.13x49.75x18.13 (1527x1264x460)	NPDD6048	NPDD6048G	56.00x44.00 (1422x1118)
WA60X4924U	WA60CPX4924U	60.13x49.75x24.13 (1527x1264x613)	NPDD6048	NPDD6048G	56.00x44.00 (1422x1118)
WA60X6112U	WA60CPX6112U	60.13x61.75x12.13 (1527x1568x308)	NPDD6060	NPDD6060G	56.00x56.00 (1422x1422)
WA60X6118U	—	60.13x61.75x18.13 (1527x1568x460)	NPDD6060	NPDD6060G	56.00x56.00 (1422x1422)
WA60X6124U	WA60CPX6124U	60.13x61.75x24.13 (1527x1568x613)	NPDD6060	NPDD6060G	56.00x56.00 (1422x1422)
WA72X6112U	—	72.13x61.75x12.13 (1832x1568x308)	NPDD7260	NPDD7260G	68.00x56.00 (1727x1422)
WA72X6118U	—	72.13x61.75x18.13 (1832x1568x460)	NPDD7260	NPDD7260G	68.00x56.00 (1727x1422)
WA72X7312U	WA72CPX7312U	72.13x73.75x12.13 (1832x1873x308)	NPDD7272	NPDD7272G	68.00x68.00 (1727x1727)
WA72X7318U	WA72CPX7318U	72.13x73.75x18.13 (1832x1873x460)	NPDD7272	NPDD7272G	68.00x68.00 (1727x1727)
WA72X7324U	—	72.13x73.75x24.13 (1832x1873x613)	NPDD7272	NPDD7272G	68.00x68.00 (1727x1727)

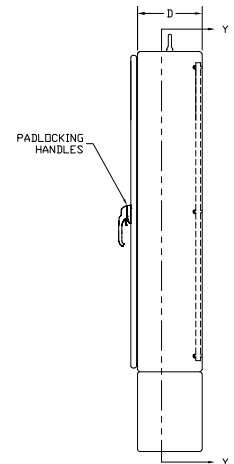
*Back panels must be ordered separately



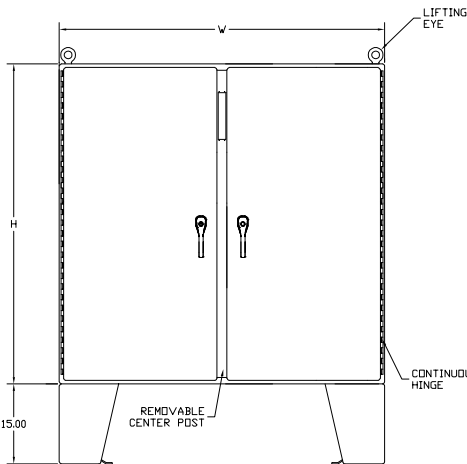
WAX-U



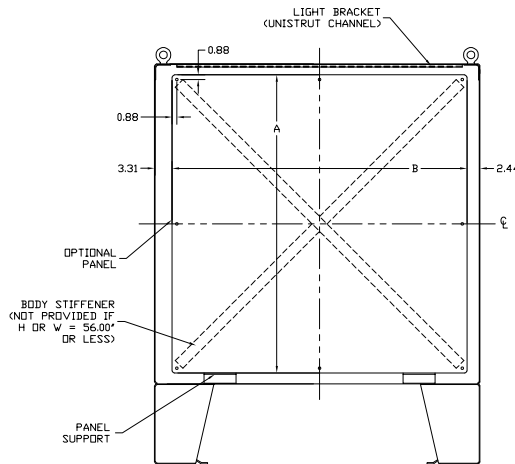
SECTION Y-Y



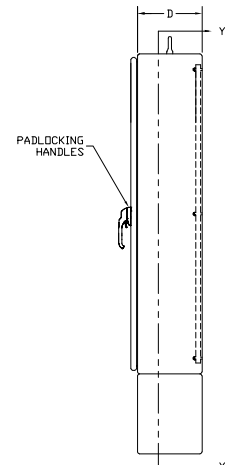
SIDE VIEW



WACPX-U

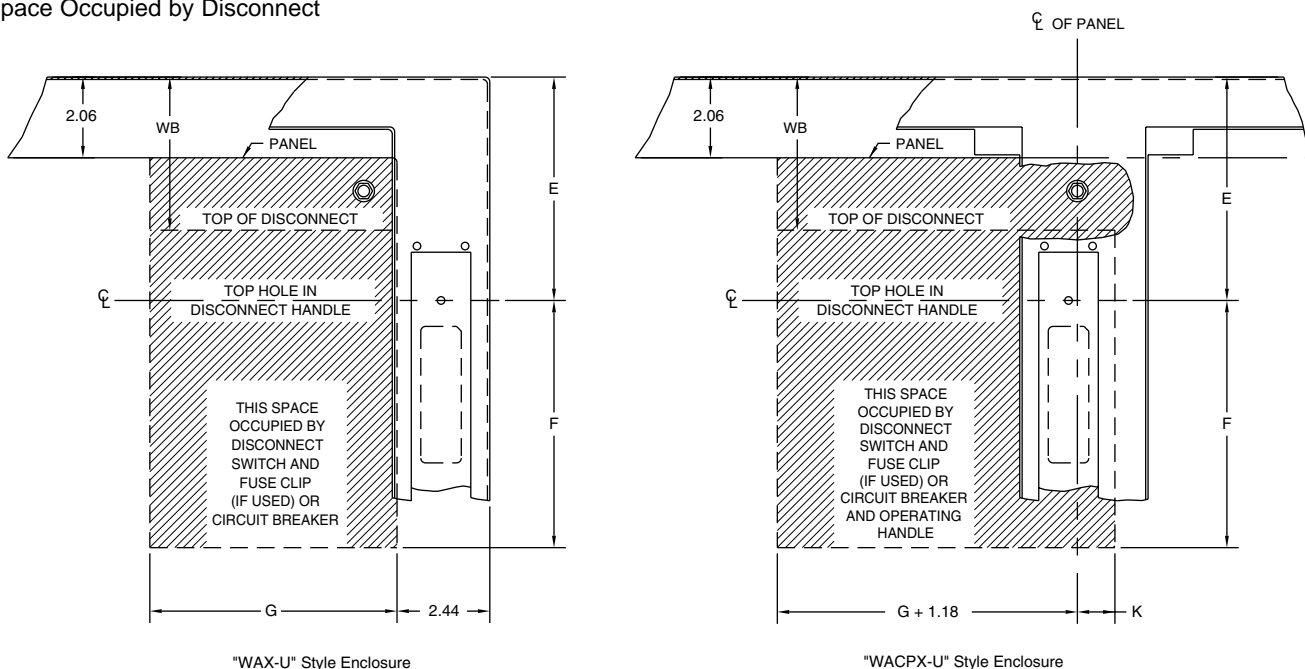


SECTION Y-Y



SIDE VIEW

Space Occupied by Disconnect



Note:

1. See pages G50-G59 for various brands of disconnects for "E", "F", "G", "K" and "WB" dimensions.
2. Disconnects will occupy space on panel shown by dimensions "E", "F", "G" and "K". Wiring space "WB" is available when disconnect is installed in the enclosure.
3. When ordering 24.13 (613mm) deep enclosures, long connecting rods must be ordered. Long connecting rods are available from disconnect manufacturers.
 - ABB Controls flange-operated devices
 - Eaton Cutler-Hammer C361 devices
 - Eaton Cutler-Hammer C371 operating mechanisms C371E and C371F, order catalog number C371CS1 connecting rod. For C371G and C371K, order catalog number C371CS2 connecting rod.
 - General Electric TDA devices, order catalog number TDSR extended length drive rod
 - For Schneider Square D® 9422 devices, order catalog number 9422-R2 extra long operating rod(s). Some devices require two rods.

Refer to *National Electrical Code*® article 430-10(b) for wiring space required for line side conductors to be connected to disconnect. Verify your application to determine if wiring space is adequate.

DISCONNECT ORDERING INFORMATION

When ordering wall-mounted disconnects from the various manufacturers, be sure to order all of the necessary items. Each company has a different system, so care is required. Order the following items from the disconnect manufacturer.

Allen-Bradley

When using a Bulletin 1494F flange-mounted disconnect switch, order:

1. A disconnect switch
2. A fuse block adapter, if required
3. Line and load connectors, if required

When using a Bulletin 1494D flange-mounted operator for a circuit breaker, order:

1. A circuit breaker
2. A flange-mounted operating mechanism
3. A slide mechanism

When using a Bulletin 1494V disconnect switch, order:

- * 1. A disconnect switch
- * 2. An operating handle
- * 3. A connecting rod (long)
- * 4. A trailer fuse block kit, if required
- * 5. A fuse clip kit, if required
- 6. Line and load connectors, if required

When using a Bulletin 1494V circuit breaker operating mechanism, order:

1. A circuit breaker
2. A circuit breaker operating mechanism
3. An operating handle
4. A connecting rod (long)

An optional Allen-Bradley channel support kit is recommended when Allen-Bradley Bulletin 1494V devices are installed in 72.12" (1832mm) high enclosures with operating handle mounted on centerpost.

ABB Controls

When using a disconnect switch, order:

1. A flange operated switch (fusible or non-fusible)
2. A shaft [DSFHS-12 for 12.12" (308mm) deep or DSFHS-17 for 18.12" (460mm) deep enclosures; in 24.12" (613mm) deep enclosures a platform must be used with shaft]
3. A handle (DSFHN-HS12)

When using a circuit breaker, order:

- 1. A circuit breaker (ABB)
- * 2. An operating mechanism
- * 3. A shaft [FHS-12 for 12.12" (308mm) deep or FHS-17 for 18.12" (460mm) deep enclosures; in 24.12" (613mm) deep enclosures a platform must be used with shaft]
- * 4. Handle mechanism (FHN-HS12)

* Items available from disconnect manufacturer as complete kits.

PLEASE NOTE:

1. Various other switch accessories and circuit breaker accessories are available from disconnect manufacturers. The above information is subject to change without notice. Please contact Hubbell-Wiegmann or the disconnect manufacturer if there are further questions.
2. The "Space Occupied" tables (pages G50-G59) are based upon information supplied by disconnect manufacturers. Hubbell-Wiegmann does not assume responsibility for the accuracy of these dimensions.

Eaton Cutler-Hammer

When using a Type C361 disconnect switch, order:

- * 1. A disconnect switch with an operating mechanism
- * 2. An operating handle (C361H1 or C361H3)

When using a Type C371 circuit breaker operating mechanism with a circuit breaker, order:

1. A circuit breaker
- * 2. An operating mechanism
- * 3. An operating handle

When using a Type SM handle mechanism, order:

1. A circuit breaker
2. A type SM handle mechanism

When using a Flex Shaft™ handle mechanism, order:

1. A circuit breaker
2. A complete Flex Shaft™ handle mechanism

General Electric

When using a disconnect switch, order:

1. A disconnect switch (Type QMR or QMW)
2. A fuse clip kit or no-fuse kit
3. A flange handle (STDA1 or STDA2)
4. A variable depth operating mechanism
5. An extended length drive rod (if required)

When using a circuit breaker, order:

1. A circuit breaker
2. A flange handle (STDA1 or STDA2)
3. A variable depth operating mechanism
4. An extended length drive rod (if required)

When optional General Electric Flange Stiffener Kit (catalog number TDSR) is recommended when General Electric Type TDA devices are installed in 72.12" (1832) high enclosures with operating handle mounted on centerpost. Use with TDOM1, TDOM2, TDOM3, S100M1A, and S100M3 operating mechanisms.

When using a circuit breaker with a Spectra Flex™ cable operator, order:

1. A circuit breaker
2. A flange-mounted handle mechanism
3. A breaker-mounted mechanism
4. An operating cable

Siemens ITE Max-Flex™

When using a disconnect switch, order:

1. A basic switch (right-hand)
2. A fuse or no-fuse kit
- * 3. FHOHS flange-mounted handle
- * 4. Switch operator
- * 5. FHOECO36 cable for 12.12" (308mm) deep enclosures or FHOECO48 for 18.12 (460mm) and 24.12" (613mm) deep enclosures

When using a circuit breaker, order:

1. A circuit breaker
2. Pressure wire connectors
- * 3. A flange-mounted handle
- * 4. A circuit breaker operator mechanism
- * 5. An operating cable [12.12" (308mm) deep or 18.12 (460mm) deep enclosures accept 36.00" (914mm) or 48.00 (1219mm) cables; 24.12" (613mm) deep enclosures require a 48.00" (1219mm) cable]

* These items are available from Siemens ITE Max-Flex™ ITE as a complete mechanism with a 36.00" (914mm) operating cable only. Order items separately when using a 48.00" (1219mm) operating cable.

Schneider Square D®

When using a disconnect switch, order:

1. A disconnect switch with operating mechanism
2. A universal handle mechanism
3. A long operating rod, if required

When using a circuit breaker, order:

1. A circuit breaker
2. An operating mechanism
3. A universal handle mechanism
4. A long operating rod, if required

When using a Class 9422 Type "T" disconnect switch with a cable mechanism, order:

1. A disconnect switch with operating mechanism (Class 9422 Type T)
2. A handle mechanism (Class 9422 Type A-1)
3. A cable mechanism (Class 9422 CFT_O) 3-, 5-, or 10-foot

When using a circuit breaker with a cable mechanism, order:

1. A circuit breaker (Schneider Square D®)
2. A handle mechanism (Class 9422 Type A-1)
3. A cable mechanism (Class 9422 CFT_O) 3-, 5-, or 10-foot

An optional Schneider Square D® Channel Flange Support Kit (catalog number 9422-C1) is recommended when some Schneider Square D® devices are installed in 72.12" (1832mm) high enclosures with operating handle mounted on centerpost.



WA72XM2718U

Industry Standards

UL 508A, Type 12
 CSA Certified, Type 12
 NEMA/EEMAC Type 12

 UL File E64791

 CSA File LL66078

FEATURES-SPECIFICATIONS

Applications

The Wiegmann universal cutout is used in large freestand and floorstand enclosures. Operator Adapter Kits are required in order to install the various manufacturers' hardware. Note that 400 A (or greater) disconnect switches and 600 A (or greater) circuit breakers need to use the "Large" or "High Amp" cutout, which is provided in the WA21ABVA kit for Allen-Bradley variable-depth disconnect switches or the WA21ITE kit for Siemens (and select other manufacturers) flex-cable devices. The "Large" or "High Amp" cutout accepts the larger operating handle whose mounting hole centers are 6.500-in. apart.

Allen-Bradley

- 1494V disconnect switches with flange-mount variable depth operating mechanisms and 1494V flange-mounted variable depth operating mechanisms for circuit breakers
- 140U flexible cable operating mechanisms and 140U molded case circuit breakers
- 1494C cable-operated disconnect switches with flange-mount handles
- 194RC cable-operated flange-mount handles for use with the NFPA 79 compliant 194R IEC rotary disconnect switches

Allen-Bradley 1494V-R1, -R2 and -W2 operating handles and Allen-Bradley 1494F disconnect devices or 1494D circuit breaker operators will NOT fit these enclosures.

- **ABB Controls** flange-mounted variable depth operating mechanisms for disconnect switches and circuit breakers
- **Eaton Cutler-Hammer** Type C361 disconnect switches and operator mechanisms. Eaton Cutler-Hammer Type C371 circuit breaker operating mechanisms. Also Type SM safety handle mechanisms and Flex Shaft™ handle operators for circuit breakers

- **General Electric** Type STDA flange handles and variable depth operating mechanisms for disconnect switches and circuit breakers. Also Spectra Flex™ cable operators for circuit breakers
- **Siemens ITE Max-Flex™** flange-mounted variable depth operating handles for disconnect switches and circuit breakers
- **Schneider Square D®** disconnect switches and circuit breakers used with Class 9422 flange-mounted variable depth operating mechanisms or cable mechanism

These enclosures will not receive Class 9422 bracket-mounted disconnect devices or Class 9422TG1 or TG2 devices

Construction

- Bodies and doors are fabricated from carbon steel.
- Removable back panels are included and mounted on collar studs
- Seams are continuously welded and ground smooth
- Body stiffeners are provided for extra rigidity
- Heavy-duty lifting eyes and provisions for lighting are provided
- Heavy gauge continuous hinges support each door
- 3-point padlocking handles on all doors
- Panel supports
- Center posts are removable to permit easy panel installation.
- Grounding provisions are provided
- Doors are sealed with a poured in place gasket
- Unless specified, the far right door is considered to be the "Master" door. All other doors are considered slave doors

- The mechanical interlock is activated by the master door which prevents the slave doors from being opened first. Doors can be closed in any order
- Disconnects come with a universal cut-out which provides mounting for most disconnect operators by using operator adapters
- FTC rolled lip around all sides of the enclosure opening excludes liquids and contaminants

Finish

- ANSI 61 gray polyester powder inside and out
- Included back panels are painted with a white polyester powder

Accessories

- See pages L1-L24
- Blank adapter plates on page G60

IMPORTANT

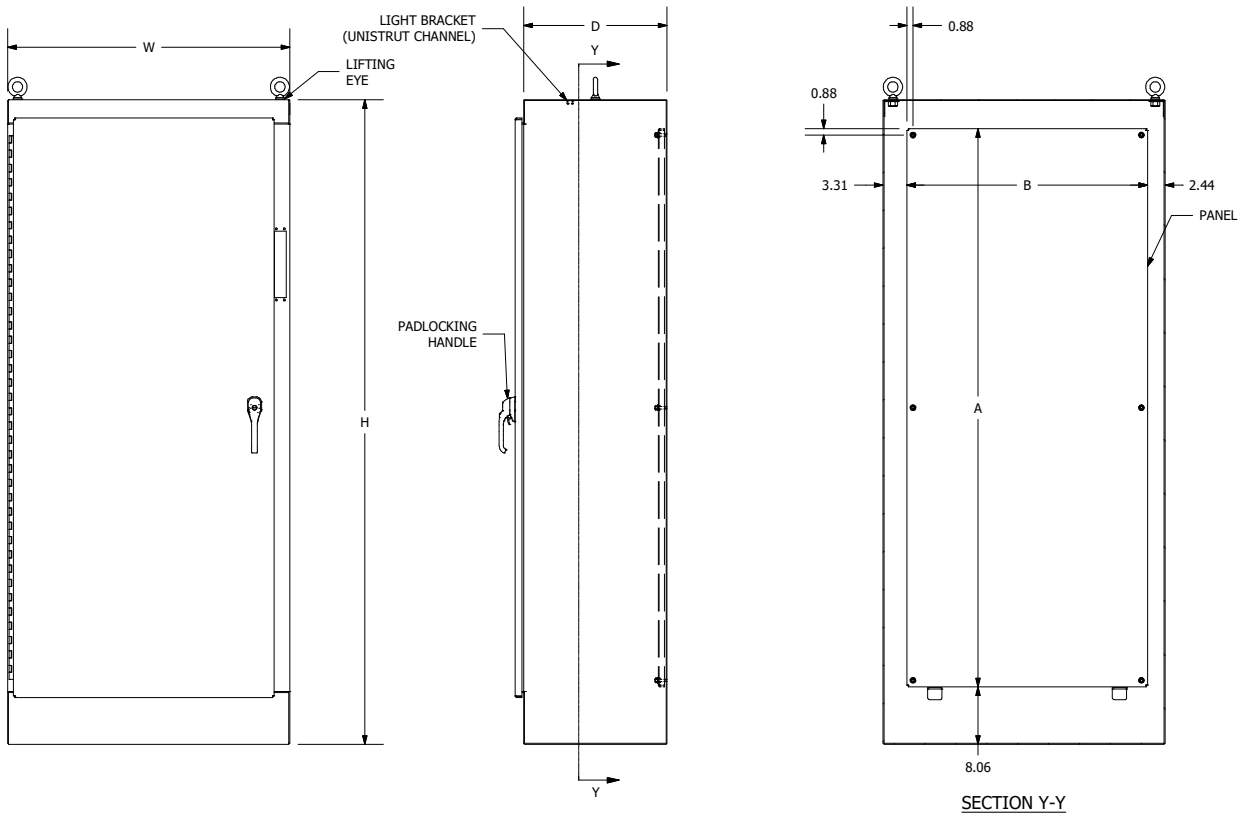
- Disconnect switch circuit breakers, operating handle and operating mechanism are not furnished with the enclosure and must be ordered separately from the disconnect manufacturer
- Operator adapter plates are required with this enclosure and must be purchased separately. See page G60 to select the proper operator adapter for the brand and type of disconnect being used
- Disconnect ordering information is located on page G38
- Review space occupied by disconnect drawings on page G37 and disconnect tables on pages G50-G59 to determine if the disconnect device you are using will fit the enclosure size you have selected

**WAXM-U SERIES ENCLOSURES
NEMA 12 HEAVY-DUTY FREESTANDING DISCONNECT**

WAXM-U SERIES HEAVY-DUTY SINGLE DOOR DISCONNECT

Catalog Number	Enclosure Size HxWxD	Back Panel Size AxB*
WA72XM2718U	72.13x27.50x18.13 (1832x699x460)	60.00x21.75 (1524x552)
WA72XM3318U	72.13x33.50x18.13 (1832x851x460)	60.00x27.75 (1524x705)
WA72XM3918U	72.13x39.50x18.13 (1832x1003x460)	60.00x33.75 (1524x857)
WA84XM3918U	84.13x39.50x18.13 (2137x1003x460)	72.00x33.75 (1829x857)
WA90XM3920U	90.13x39.50x20.13 (2289x1003x511)	78.00x33.75 (1981x857)
WA90XM3924U	90.13x39.50x24.13 (2289x1003x613)	78.00x33.75 (1981x857)

*Back panels are furnished with enclosures.



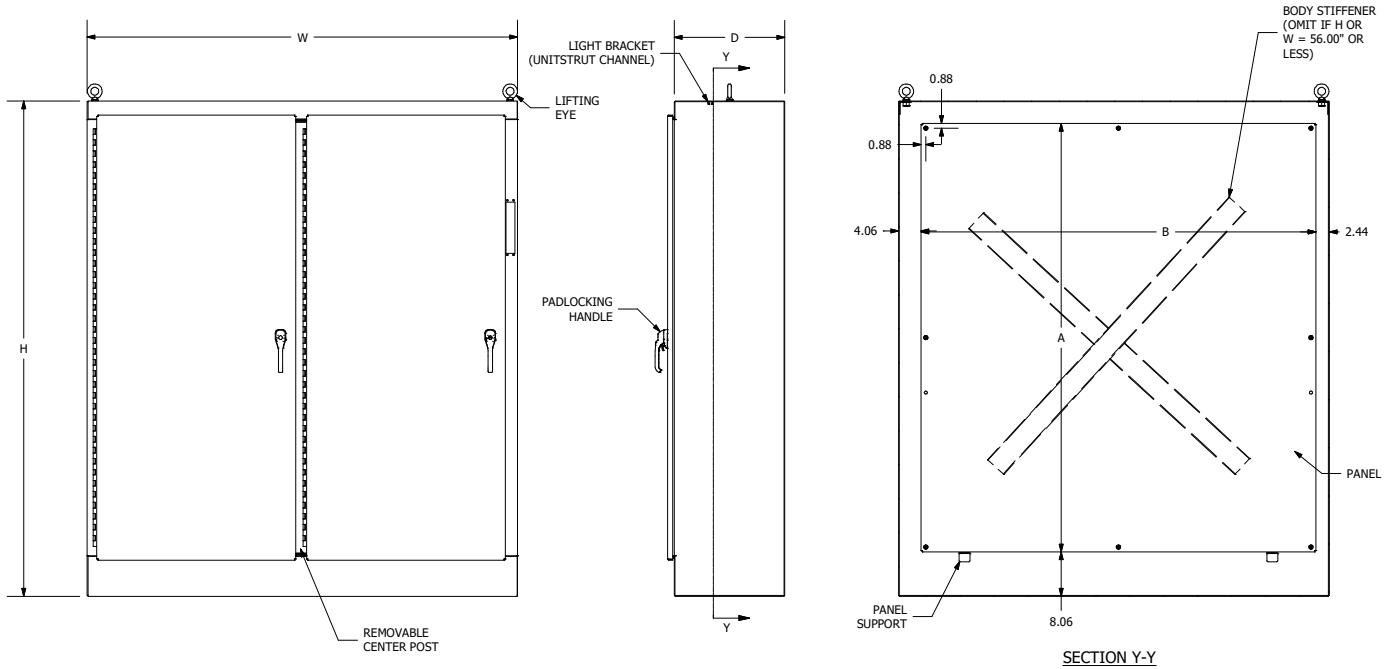
WAXM-U SERIES ENCLOSURES NEMA 12 HEAVY-DUTY FREESTANDING DISCONNECT

G33

WAXM-U SERIES HEAVY-DUTY TWO DOOR DISCONNECT

Catalog Number	Enclosure Size HxWxD	Back Panel Size AxB*
WA72XM5318U	72.13x54.30x18.13 (1832x1365x460)	60.00x48.00 (1524x1219)
WA72XM6518U	72.13x66.50x18.13 (1832x1670x460)	60.00x60.00 (1524x1524)
WA72XM7718U	72.13x78.50x18.13 (1832x1975x460)	60.00x72.00 (1524x1829)
WA72XM7724U	72.13x78.50x24.13 (1832x1975x613)	60.00x72.00 (1524x1829)
WA84XM7718U	84.13x78.50x18.13 (2137x1975x461)	72.00x72.00 (1829x1829)
WA90XM7720U	90.13x78.50x20.13 (2289x1975x511)	78.00x72.00 (1981x1829)
WA90XM7724U	90.13x78.50x24.13 (2289x1975x613)	78.00x72.00 (1981x1829)

*Back panels are furnished with enclosures.

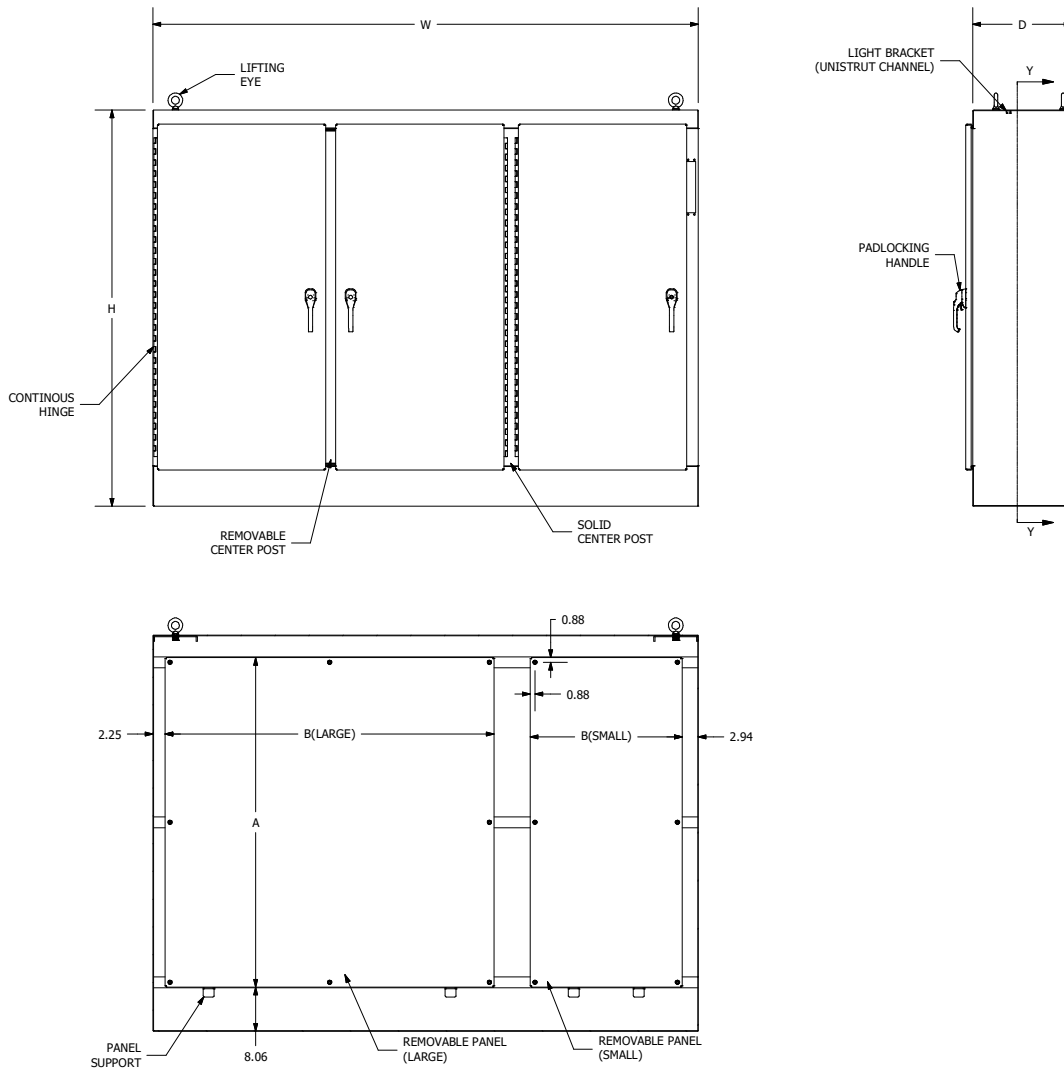


WAXM-U SERIES ENCLOSURES NEMA 12 HEAVY-DUTY FREESTANDING DISCONNECT

WAXM-U SERIES HEAVY-DUTY THREE DOOR DISCONNECT

Catalog Number	Enclosure Size HxWxD	Number of Panels	Back Panel Size AxB*
WA72XM3EW18U	72.13x99.50x18.13 (1832x2527x460)	1	60.00x60.00 (1524x1524) 60.00x27.75 (1524x705)
WA72XM3EW18U	72.13x117.50x18.13 (1832x2985x460)	1	60.00x72.00 (1524x1829) 60.00x33.75 (1524x857)
WA84XM3EW18U	84.13x117.50x18.13 (2137x2985x460)	1	72.00x72.00 (1829x1829) 72.00x33.75 (1829x857)
WA90XM3EW24U	90.13x117.50x24.13 (2289x2985x613)	1	78.00x72.00 (1981x1829) 78.00x33.75 (1981x857)

*Back panels are furnished with enclosures.



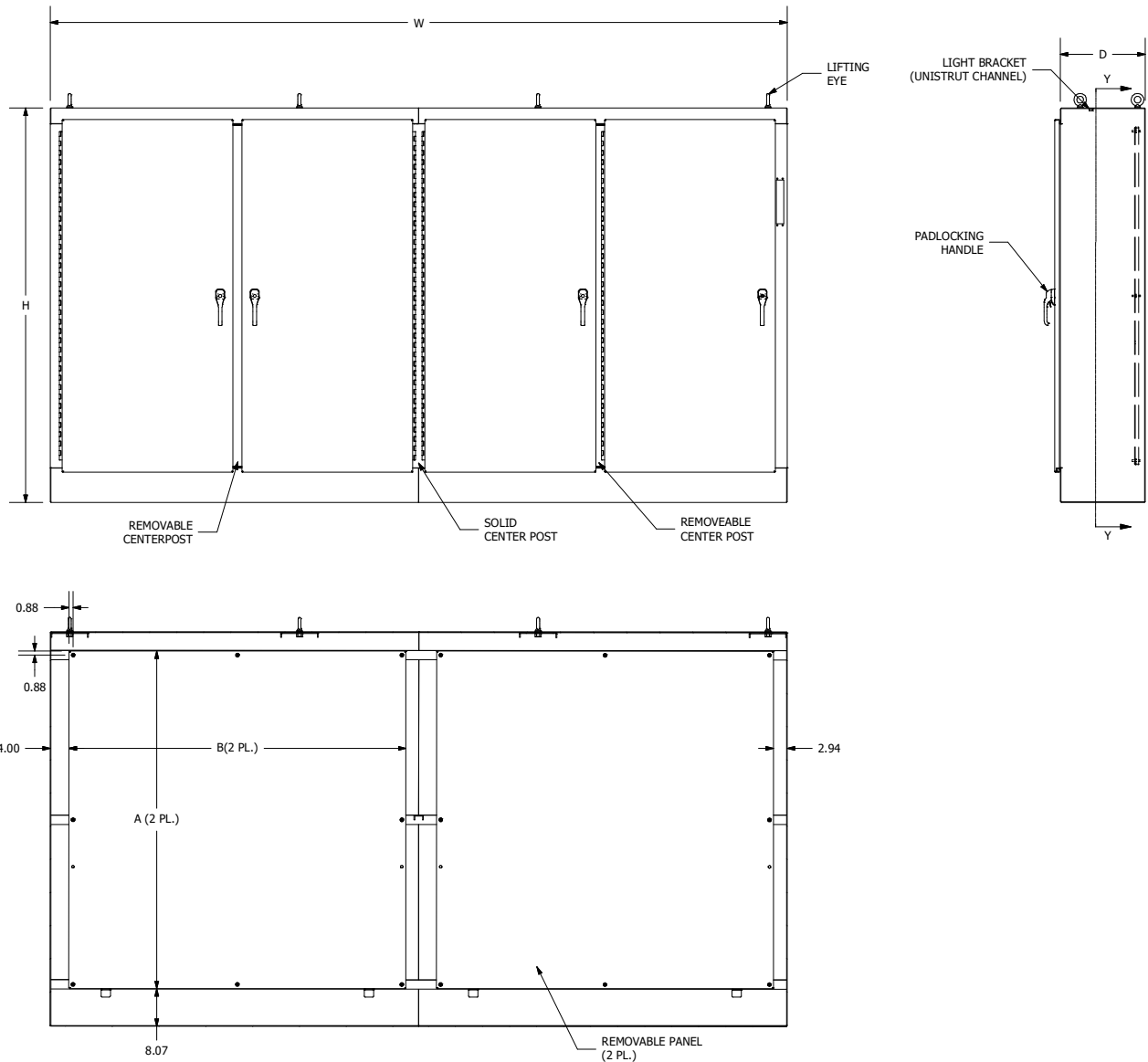
WAXM-U SERIES ENCLOSURES NEMA 12 HEAVY-DUTY FOUR DOOR FREESTANDING DISCONNECT

G35

WAXM-U SERIES HEAVY-DUTY FOUR DOOR DISCONNECT

Catalog Number	Enclosure Size HxWxD	Number of Panels	Back Panel Size AxB*
WA84XM4EW18U	84.13x157.50x18.13 (2137x4001x461)	2	72.00x72.00 (1829x1829)

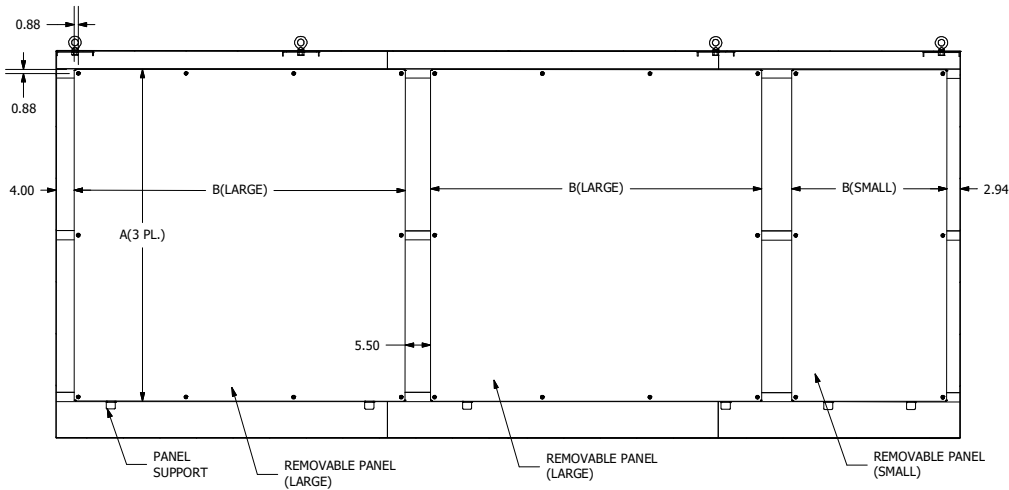
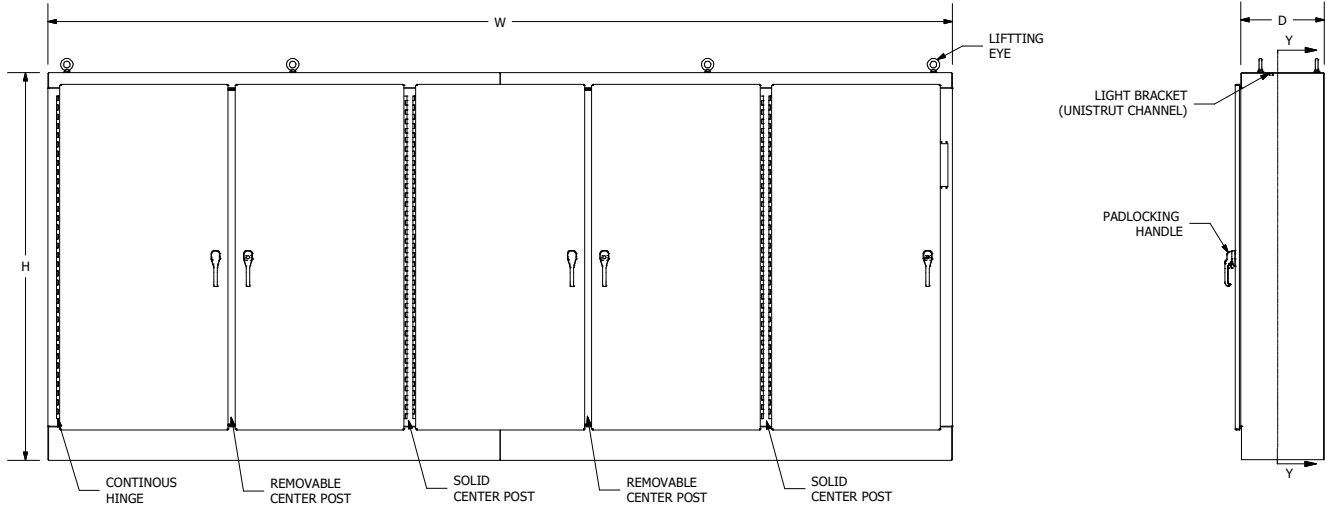
*Back panels are furnished with enclosures.



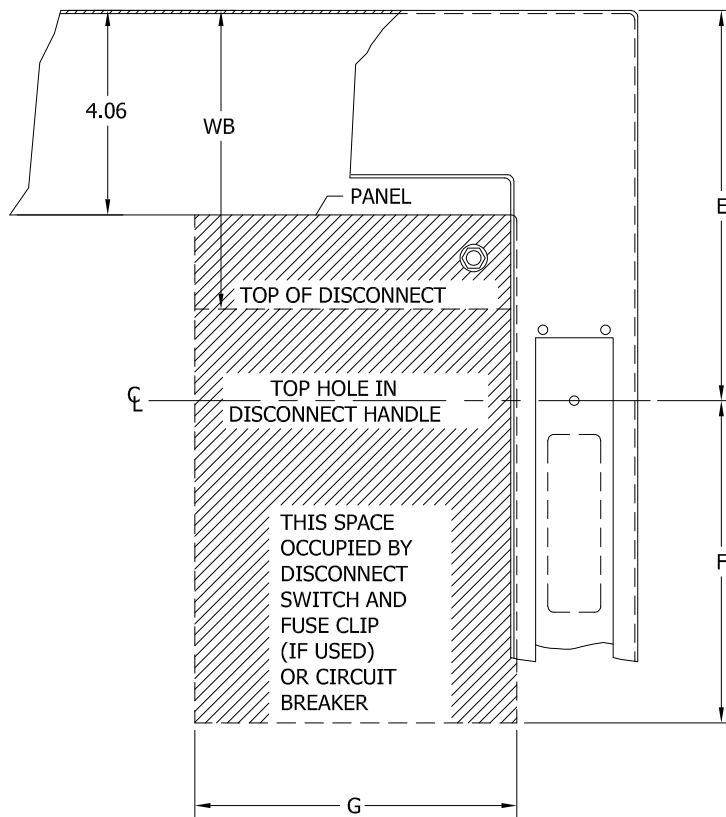
WAXM-U SERIES ENCLOSURES
NEMA 12 HEAVY-DUTY FREESTANDING FIVE DOOR DISCONNECT

WAXM-U SERIES HEAVY-DUTY FIVE DOOR DISCONNECT

Catalog Number	Enclosure Size HxWxD	Number of Panels	Back Panel Size AxB*
WA84XM5EW18U	84.13x196.75x18.13 (2137x4997x460)	2 1	72.00x72.00 (1829x1829) 72.00x33.75 (1829x857)



Space Occupied by Disconnect



Notes:

1. See pages G50-G59 for various brands of disconnects for "E", "F", "G", and "WB" dimensions.
2. Disconnects will occupy space on panel shown by dimensions "E", "F" and "G". Wiring space "WB" is available when disconnect is installed in the enclosure.
3. When ordering 24.13 (613mm) deep enclosures, long connection rods must be ordered. Long connecting rods are available from disconnect manufacturers.
 - ABB Controls flange-operated devices
 - Cutler-Hammer C361 devices
 - Cutler-Hammer C371 operating mechanisms C371E and C371F, order catalog number C371CS1 connecting rod. For C371G and C371K, order catalog number C371CS2 connection rod.
 - General Electric TDA devices, order catalog number TDSR extended length drive rod.
 - For Schneider Square D® 9422 devices, order catalog number 9422-R2 extra long operating rod(s). Some devices require two rods.

Refer to National Electrical Code® 1996 article 430-10(b) for wiring space required for line side conductors to be connected to disconnect. Verify your application to determine if wiring space is adequate.

DISCONNECT ORDERING INFORMATION

When ordering wall-mounted disconnects from the various manufacturers, be sure to order all of the necessary items. Each company has a different system, so care is required. Order the following items from the disconnect manufacturer.

Allen-Bradley

When using a Bulletin 1494F flange-mounted disconnect switch, order:

1. A disconnect switch
2. A fuse block adapter, if required
3. Line and load connectors, if required

When using a Bulletin 1494D flange-mounted operator for a circuit breaker, order:

1. A circuit breaker
2. A flange-mounted operating mechanism
3. A slide mechanism

When using a Bulletin 1494V disconnect switch, order:

- *1. A disconnect switch
- *2. An operating handle
- *3. A connecting rod (long)
- *4. A trailer fuse block kit, if required
- *5. A fuse clip kit, if required
6. Line and load connectors, if required

When using a Bulletin 1494V circuit breaker operating mechanism, order:

1. A circuit breaker
2. A circuit breaker operating mechanism
3. An operating handle
4. A connecting rod (long)

ABB Controls

When using a disconnect switch, order:

1. A flange operated switch (fusible or non-fusible)
2. A shaft [DSFHS-17 for 18.12" (460mm) deep or DSFHS-22 for 20.12" (511mm) deep enclosures; in 24.12" (613mm) deep enclosures a platform must be used with shaft]
3. A handle (DSFHN-HS12)

When using a circuit breaker, order:

1. A circuit breaker (ABB)
- *2. An operating mechanism
- *3. A shaft [FHS-17 for 18.12" (460mm) deep or FHS-22 for 20.12" (511mm) deep enclosures; in 24.12" (613mm) deep enclosures a platform must be used with shaft]
- *4. Handle mechanism (FHN-HS12)

PLEASE NOTE:

1. Various other switch accessories and circuit breaker accessories are available from disconnect manufacturers. The above information is subject to change without notice. Please contact Hubbell-Wiegmann or the disconnect manufacturer if there are further questions.
2. The "Space Occupied" tables (pages G50-G59) are based upon information supplied by disconnect manufacturers. Hubbell-Wiegmann does not assume responsibility for the accuracy of these dimensions.

* Items available from disconnect manufacturer as complete kits.

Eaton Cutler-Hammer

When using a Type C361 disconnect switch, order:

- *1. A disconnect switch with an operating mechanism
- *2. An operating handle (C361H1 or C361H3)

When using a Type C371 circuit breaker operating mechanism with a C-H order:

1. A circuit breaker
- *2. An operating mechanism
- *3. An operating handle

When using a Type SM handle mechanism, order:

1. A circuit breaker
2. A type SM handle mechanism

When using a Flex Shaft™ handle mechanism, order:

1. A circuit breaker
2. A complete Flex Shaft™ handle mechanism

General Electric

When using a disconnect switch, order:

1. A disconnect switch (Type QMR or QMW)
2. A fuse clip kit or no-fuse kit
3. A flange handle (STDA1 or STDA2)
4. A variable depth operating mechanism
5. An extended length drive rod (if required)

When using a circuit breaker, order:

1. A circuit breaker
2. A flange handle (STDA1 or STDA2)
3. A variable depth operating mechanism
4. An extended length drive rod (if required)

When using a circuit breaker with a Spectra Flex™ cable operator, order:

1. A circuit breaker
2. A flange-mounted handle mechanism
3. A breaker-mounted mechanism
4. An operating cable

Siemens ITE Max-Flex™

When using a disconnect switch, order:

1. A basic switch (right-hand)
2. A fuse or no-fuse kit
- *3. FHOHS flange-mounted handle
- *4. Switch operator
- *5. FHOECO48 cable

When using a circuit breaker, order:

1. A circuit breaker
2. Pressure wire connectors
- *3. A flange-mounted handle
- *4. A circuit breaker operator mechanism
- *5. An operating cable [18.12" (460mm) deep or 20.12" (511mm) deep enclosures accept 36.00" (914mm) or 48.00" (1219mm) cables; 24.12" (613mm) deep enclosures require a 48.00" (1219mm) cable]

* These items are available from Siemens ITE Max-Flex™ as a complete mechanism with a 36.00" (914mm) operating cable only. Order items separately when using a 48.00" (1219mm) operating cable.

Schneider Square D®

When using a disconnect switch, order:

1. A disconnect switch with operating mechanism
2. A universal handle mechanism
3. A long operating rod, if required

When using a circuit breaker, order:

1. A circuit breaker
2. An operating mechanism
3. A universal handle mechanism
4. A long operating rod, if required

When using a Class 9422 Type "T" disconnect switch with a cable mechanism, order:

1. A disconnect switch with operating mechanism (Class 9422 Type T)
2. A handle mechanism (Class 9422 Type A-1)
3. A cable mechanism (Class 9422 CFT_O) 3-, 5-, or 10-foot

When using a circuit breaker with a cable mechanism, order:

1. A circuit breaker (Schneider Square D®)
2. A handle mechanism (Class 9422 Type A-1)
3. A cable mechanism (Class 9422 CFT_O) 3-, 5-, or 10-foot



WMOB72X4018U

Industry Standards
 UL 508A, Type 12
 CSA Certified, Type 12
 NEMA/EEMAC Type 12

 UL File E64791

 CSA File LL66078

FEATURES-SPECIFICATIONS

Applications

Modular single door and double door Modular free standing enclosures are designed to be bolted together in a variety of lengths and combinations to meet the customer's specific application. Modular disconnects enclosures are designed to house the following flange-mounted disconnect switches and circuit breakers:

The Wiegmann universal cutout is used in large freestanding and floorstand enclosures. Operator Adapter Kits are required in order to install the various manufacturers' hardware. Note that 400 A (or greater) disconnect switches and 600 A (or greater) circuit breakers need to use the "Large" or "High Amp" cutout, which is provided in the WA21ABVA kit for Allen-Bradley variable-depth disconnect switches or the WA21ITE kit for Siemens ITE Max-Flex™ (and select other manufacturers) flex-cable devices. The "Large" or "High Amp" cutout accepts the larger operating handle whose mounting hole centers are 6.500-in. apart.

Allen-Bradley

- 1494V disconnect switches with flange-mount variable depth operating mechanisms and 1494V flange-mounted variable depth operating mechanisms for circuit breakers
- 140U flexible cable operating mechanisms and 140U molded case circuit breakers
- 1494C cable-operated disconnect switches with flange-mount handles
- 194RC cable-operated flange-mount handles for use with the NFPA 79 compliant 194R IEC rotary disconnect switches

Allen-Bradley 1494V-R1, -R2 and -W2 operating handles and Allen-Bradley 1494F disconnect devices or 1494D circuit breaker operators will NOT fit these enclosures.

- **ABB Controls** flange-mounted variable depth operating mechanisms for disconnect switches and circuit breakers
- **Eaton Cutler-Hammer** Type C361 disconnect switches and operating mechanisms, and Type C371 circuit breaker operating mechanisms. Also Type SM safety handle

mechanisms and Flex Shaft™ handle operators for circuit breakers

- **General Electric** Type STDA flange handles and variable depth operating mechanisms for disconnect switches and circuit breakers. Also Spectra Flex™ cable operators for circuit breakers
- **Siemens ITE Max-Flex™** flange-mounted variable depth operating handles for disconnect switches and circuit breakers
- **Schneider Square D®** disconnect switches and circuit breakers used with Class 9422 flange-mounted variable depth operating mechanisms or cable mechanisms
These enclosures will not receive Schneider Square D® Class 9422 bracket-mounted disconnect devices or Class 9422TG1 or TG2 devices.

Construction

- Bodies and doors are fabricated from carbon steel
- Removable back panels are included and mounted on collar studs
- Seams are continuously welded and ground smooth
- Body stiffeners are provided for extra rigidity
- Door and side openings are flanged to provide extra strength and smooth edges
- Heavy-duty lifting eyes
- Heavy gauge continuous hinges
- Grounding provisions are provided
- 3-point padlocking handle on all doors
- Doors are sealed with a poured in place gasket
- Mechanical interlocks come standard on each enclosure. Parts required to connect interlock system between adjacent enclosures are provided

Finish

- ANSI 61 gray polyester powder inside and out
- Back panels are painted with a white polyester powder

Accessories

- See pages L1-L24
- Blank adapter plates on page G60

IMPORTANT

- Disconnect switch circuit breakers, operating handle and operating mechanism are not furnished with the enclosures and must be ordered separately from the disconnect manufacturer
- **Operator adapter plates are required** with the modular flange disconnect enclosure only and must be purchased separately. Modular non-disconnect enclosures do not require a operator adapter plate. See page G60 to select the proper operator adapter for the brand and type of disconnect being used
- Disconnect ordering information is located on page G43
- Review space occupied by disconnect drawings on page G42 and disconnect tables on pages G50-G59 to determine if the disconnect device you are using will fit the enclosure size you have selected

A modular enclosure system consists of:

- A disconnect (master) enclosure
- Any quantity of slave enclosures
- Gasket kits to be used between enclosures
- End plate
- An operator adapter plate or blank adapter plate
- Disconnect device (order from disconnect manufacturer)

Single and Two Door Master Enclosures

- Left side is open (see drawings on pages G40 and G41)
- Master door hinged on left
- Master door activates mechanical interlock which prevents slave enclosures from being opened first
- Doors may be closed in any order

Single and Two Door Slave Enclosures

- Both sides are open (see drawings on pages G40 and G41)
- Door cannot be opened until master enclosure is opened or the interlock is defeated

WMOD SERIES ENCLOSURES NEMA 12 MODULAR FREESTANDING DISCONNECT

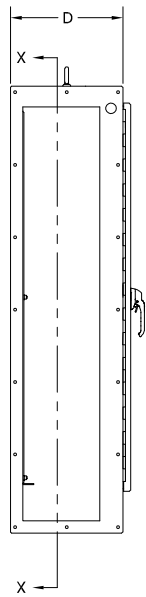
WMOD SERIES SINGLE DOOR MODULAR FLANGE DISCONNECT (LEFT SIDE OPEN)

Catalog Number	Enclosure Size HxWxD	Back Panel Size AxB*
WMOD72X4018U	72.13x39.75x18.13 (1832x1010x460)	60.00x33.75 (1524x857)
WMOD84X4018U	84.13x39.75x18.13 (2137x1010x460)	72.00x33.75 (1829x857)
WMOD84X4024U	84.13x39.75x24.13 (2137x1010x613)	72.00x33.75 (1829x857)

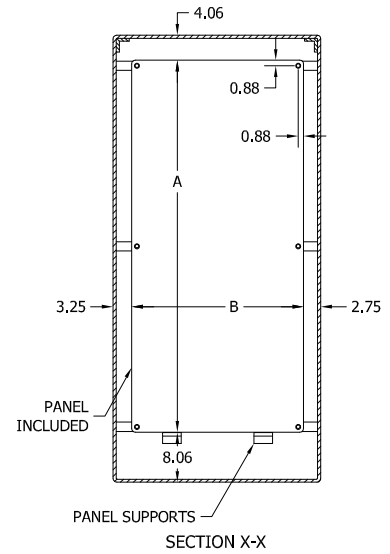
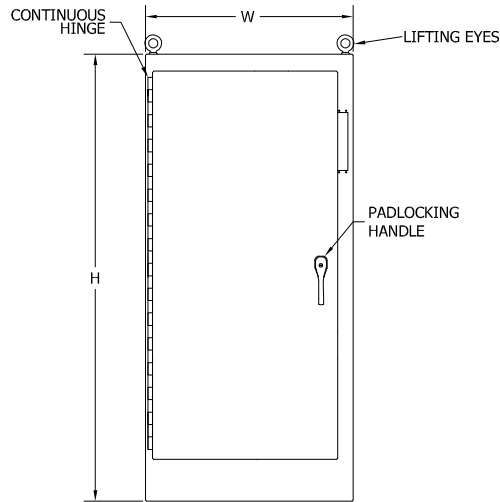
WMOD SERIES SINGLE DOOR MODULAR NON-DISCONNECT (BOTH SIDES OPEN)

Catalog Number	Enclosure Size HxWxD	Back Panel Size AxB*
WMOD723818	72.13x38.75x18.13 (1832x984x460)	60.00x33.75 (1524x857)
WMOD843818	84.13x38.75x18.13 (2137x984x460)	72.00x33.75 (1829x857)
WMOD843824	84.13x38.75x24.13 (2137x984x613)	72.00x33.75 (1829x857)

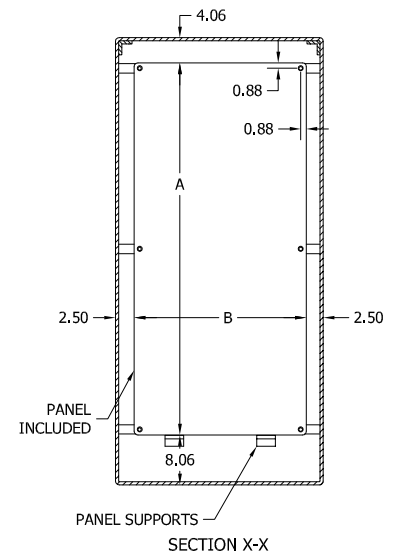
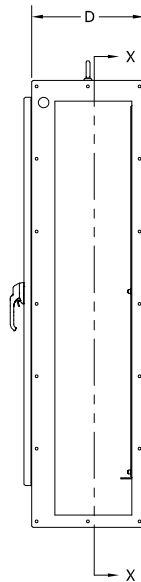
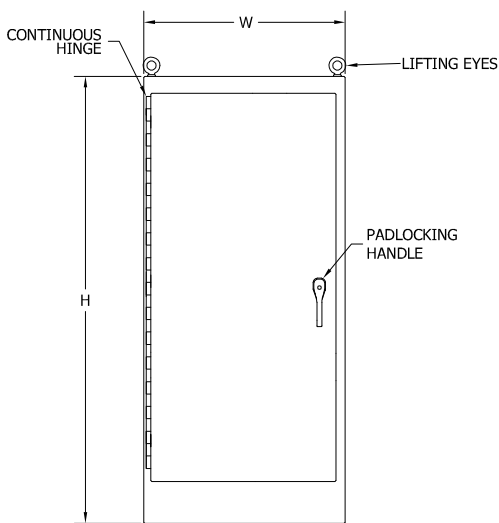
*Back panels are furnished with enclosures.



Single-Door Enclosure with left sides open



Single-Door Enclosure with both sides open



WMOD SERIES TWO DOOR MODULAR RIGHT FLANGE DISCONNECT (LEFT SIDE OPEN)

Catalog Number	Enclosure Size HxWxD	Back Panel Size AxB*
WMOD72X7818U	72.13x77.00x18.13 (1832x1956x460)	60.00x72.00 (1524x1829)
WMOD84X7818U	84.13x77.00x18.13 (2137x1956x460)	72.00x72.00 (1829x1829)
WMOD84X7824U	84.13x77.00x24.13 (2137x1956x613)	72.00x72.00 (1829x1829)

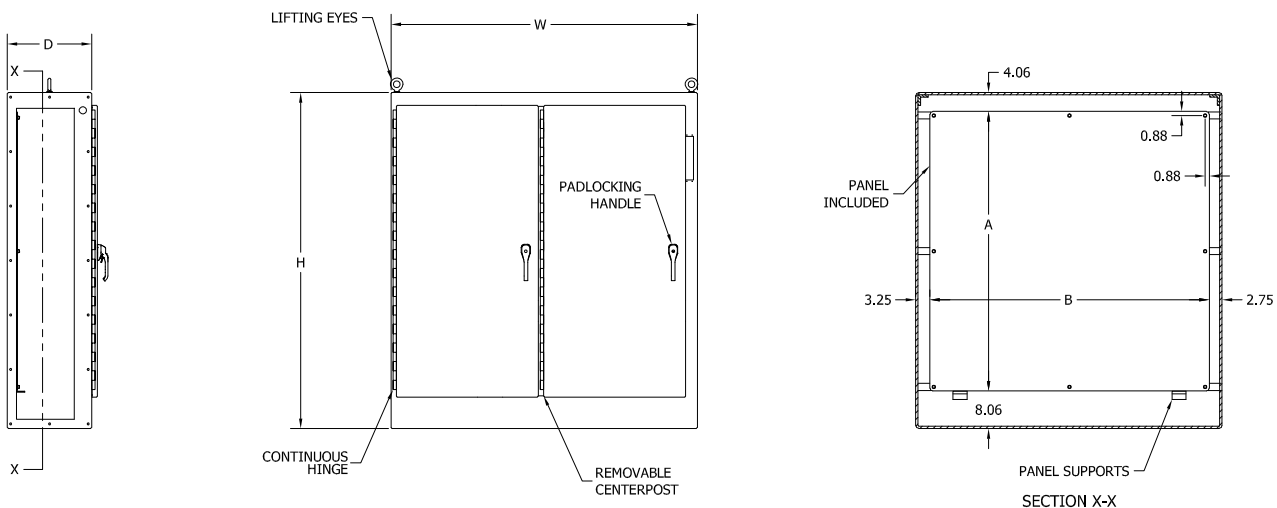
*Back panels are furnished with enclosures.

WMOD SERIES TWO DOOR MODULAR NON-DISCONNECT (BOTH SIDES OPEN)

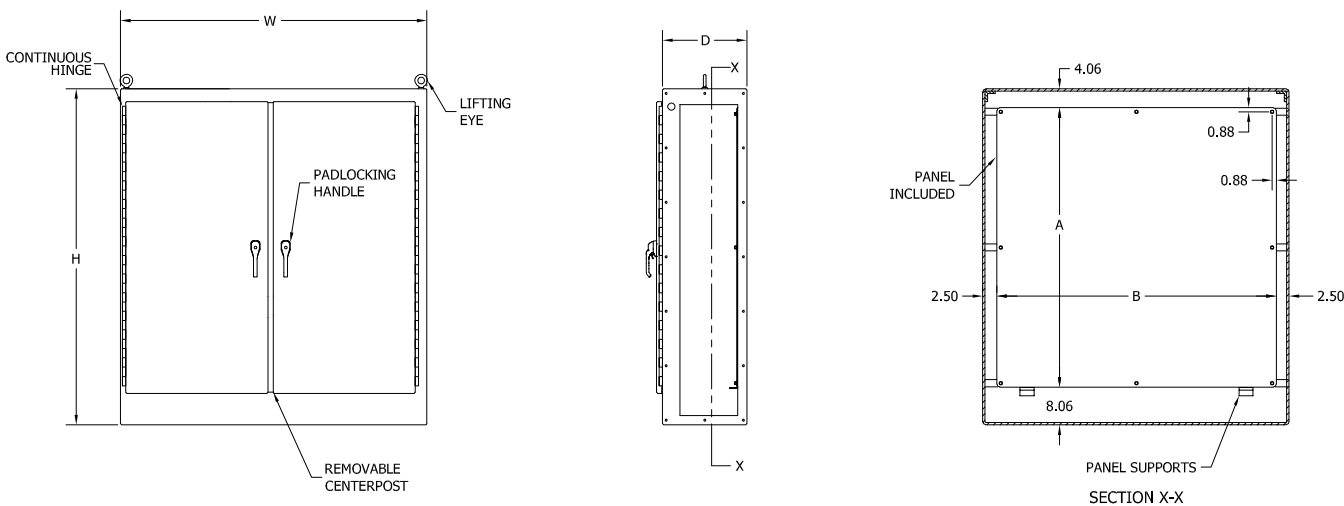
Catalog Number	Enclosure Size HxWxD	Back Panel Size AxB*
WMOD727718	72.13x77.00x18.13 (1832x1956x460)	60.00x72.00 (1524x1829)
WMOD847718	84.13x77.00x18.13 (2137x1956x460)	72.00x72.00 (1829x1829)
WMOD847724	84.13x77.00x24.13 (2137x1956x613)	72.00x72.00 (1829x1829)

*Back panels are furnished with enclosures.

Two-Door Right Flange Disconnect with left side open



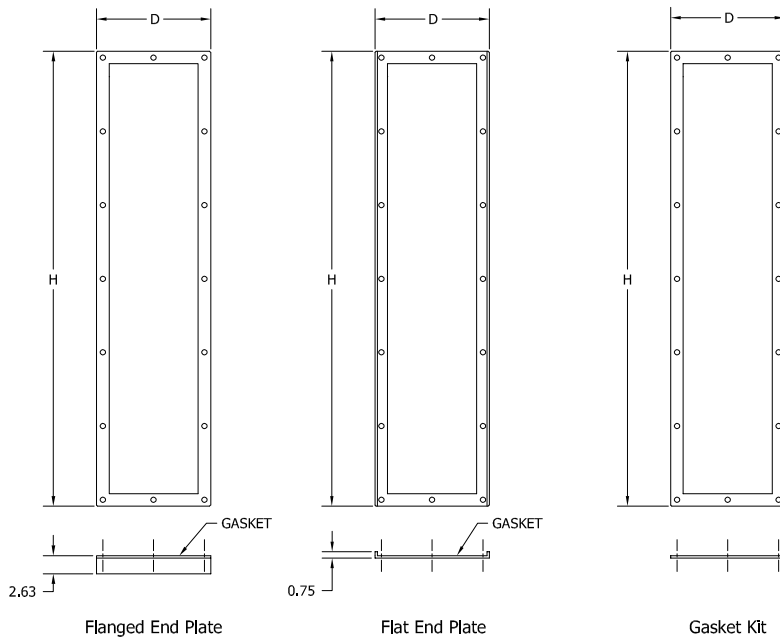
Two-Door enclosure with both sides open



WMOD SERIES ENCLOSURES NEMA 12 MODULAR FREESTANDING DISCONNECT

ACCESSORIES FOR MODULAR WMOD SERIES NEMA 12 FLANGE-MOUNTED DISCONNECT

Catalog Number	Body/Door Steel Gauge	Size HxD (See Drawing Below)
WMOD7218EPT	Formed end plate with gasket and bolts	72.13x18.13 (1832x460)
WMOD7218FTPT	Flat end plate with gasket and bolts	72.00x18.50 (1829x470)
WMOD7218GK	Gasket kit with gasket and bolts	72.00x18.00 (1829x457)
WMOD8418EPT	Formed end plate with gasket and bolts	84.13x18.13 (2137x460)
WMOD8424EPT	Formed end plate with gasket and bolts	84.13x24.13 (2137x613)
WMOD8418FTPT	Flat end plate with gasket and bolts	84.00x18.50 (2134x470)
WMOD8424FTPT	Flat end plate with gasket and bolts	84.00x24.50 (2134x622)
WMOD8418GK	Gasket kit with gasket and bolts	84.00x18.00 (2134x457)
WMOD8424GK	Gasket kit with gasket and bolts	84.00x24.00 (2134x610)



End Plates

Used to seal open end(s) of an assembly of modular enclosures. End plates are available in two types:

- The 2.63" thick End Plates allow extra wiring space. The end plate includes a gasket and mounting bolts.
- The Flat End Plate provides a low profile cover for the open end of a modular enclosure. The flat end plate includes gasket and mounting bolts.

Gasket Kit

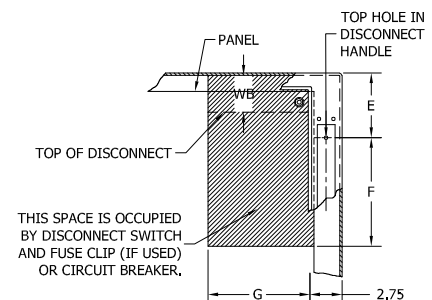
Used to join modular enclosures together, includes gasket and mounting hardware.

Space Occupied by Disconnect

Notes:

1. See pages G50-G59 for various brands of disconnects for "E", "F", "G", and "WB" dimensions.
2. Disconnects will occupy space on panel shown by dimension "E", "F", and "G". Wiring space "WB" is available when disconnect is installed in the enclosure.
3. When ordering 24.13 (613mm) deep enclosures, long connecting rods must be ordered. Long connecting rods are available from disconnect manufacturers.
 - ABB Controls flange-operated devices
 - Cutler-Hammer C361 devices
 - Cutler-Hammer C371 operating mechanisms C371E and C371F, order catalog number C371CS1 connecting rod. For C371G and C371K, order catalog number C371CS2 connecting rod.
 - General Electric TDA devices, order catalog number TDSR extended length drive rod.
 - For Schneider Square D® 9422 devices, order catalog number 9422-R2 extra long operating rod(s). Some devices require two rods.

Refer to National Electrical Code® article 430-10(b) for wiring space required for line side conductors to be connected to disconnect. Verify your application to determine if wiring space is adequate.



DISCONNECT ORDERING INFORMATION

When ordering wall-mounted disconnects from the various manufacturers, be sure to order all of the necessary items. Each company has a different system, so care is required. Order the following items from the disconnect manufacturer.

Allen-Bradley

When using a Bulletin 1494F flange-mounted disconnect switch, order:

1. A disconnect switch
2. A fuse block adapter, if required
3. Line and load connectors, if required

When using a Bulletin 1494D flange-mounted operator for a circuit breaker, order:

1. A circuit breaker
2. A flange-mounted operating mechanism
3. A slide mechanism

When using a Bulletin 1494V disconnect switch, order:

- *1. A disconnect switch
- *2. An operating handle
- *3. A connecting rod (long)
- *4. A trailer fuse block kit, if required
- *5. A fuse clip kit, if required
6. Line and load connectors, if required

When using a Bulletin 1494V circuit breaker operating mechanism, order:

1. A circuit breaker
2. A circuit breaker operating mechanism
3. An operating handle
4. A connecting rod (long)

ABB Controls

When using a disconnect switch, order:

1. A flange operated switch (fusible or non-fusible)
2. A shaft [DSFHS-17 for 18.12" (460mm) deep or DSFHS-22 for 20.12" (511mm) deep enclosures; in 24.12" (613mm) deep enclosures a platform must be used with shaft]
3. A handle (DSFHN-HS12)

When using a circuit breaker, order:

1. A circuit breaker (ABB)
- *2. An operating mechanism
- *3. A shaft [FHS-17 for 18.12" (460mm) deep or FHS-22 for 20.12" (511mm) deep enclosures; in 24.12" (613mm) deep enclosures a platform must be used with shaft]
- *4. Handle mechanism (FHN-HS12)

PLEASE NOTE:

1. Various other switch accessories and circuit breaker accessories are available from disconnect manufacturers. The above information is subject to change without notice. Please contact Hubbell-Wiegmann or the disconnect manufacturer if there are further questions.
2. The "Space Occupied" tables (pages G50-G59) are based upon information supplied by disconnect manufacturers. Hubbell-Wiegmann does not assume responsibility for the accuracy of these dimensions.

* Items available from disconnect manufacturer as complete kits.

Eaton Cutler-Hammer

When using a Type C361 disconnect switch, order:

- *1. A disconnect switch with an operating mechanism
- *2. An operating handle (C361H1 or C361H3)

When using a Type C371 circuit breaker operating mechanism with a C-H circuit breaker, order:

- *1. A circuit breaker
- *2. An operating mechanism
- *3. An operating handle

When using a Type SM handle mechanism, order:

1. A or circuit breaker
2. A type SM handle mechanism

When using a Flex Shaft™ handle mechanism, order:

1. A circuit breaker
2. A complete Flex Shaft™ handle mechanism

General Electric

When using a disconnect switch, order:

1. A disconnect switch (Type QMR or QMW)
2. A fuse clip kit or no-fuse kit
3. A flange handle (STDA1 or STDA2)
4. A variable depth operating mechanism
5. An extended length drive rod

When using a circuit breaker, order:

1. A circuit breaker
2. A flange handle (STDA1 or STDA2)
3. A variable depth operating mechanism
4. An extended length drive rod

When using a circuit breaker with a Spectra Flex™ cable operator, order:

1. A circuit breaker
2. A flange-mounted handle mechanism
3. A breaker-mounted mechanism
4. An operating cable

Siemens ITE Max-Flex™

When using a disconnect switch, order:

1. A basic switch (right-hand)
2. A fuse or no-fuse kit
- *3. FHOHS flange-mounted handle
- *4. Switch operator
- *5. FHOECO48 cable

When using a circuit breaker, order:

1. A circuit breaker
2. Pressure wire connectors
- *3. A flange-mounted handle
- *4. A circuit breaker operator mechanism
- *5. An operating cable [18.12" (460mm) deep or 20.12" (511mm) deep enclosures accept 36.00" (914mm) or 48.00" (1219mm) cables; 24.12" (613mm) deep enclosures require a 48.00" (1219mm) cable]

* These items are available from Siemens ITE Max-Flex™ as a complete mechanism with a 36.00" (914mm) operating cable only. Order items separately when using a 48.00" (1219mm) operating cable.

Schneider Square D®

When using a disconnect switch, order:

1. A disconnect switch with operating mechanism
2. A universal handle mechanism
3. A long operating rod, if required

When using a circuit breaker, order:

1. A circuit breaker
2. An operating mechanism
3. A universal handle mechanism
4. A long operating rod, if required

When using a Class 9422 Type "T" disconnect switch with a cable mechanism, order:

1. A disconnect switch with operating mechanism (Class 9422 Type T)
2. A handle mechanism (Class 9422 Type A-1)
3. A cable mechanism (Class 9422 CFT_O) 3-, 5-, or 10-foot

When using a circuit breaker with a cable mechanism, order:

1. A circuit breaker (Schneider Square D®)
2. A handle mechanism (Class 9422 Type A-1)
3. A cable mechanism (Class 9422)

WAX-SSN4 & WACPX-SSN4 ENCLOSURES NEMA 4X TWO DOOR FLOOR-MOUNT DISCONNECT



WA7CPX312SSN4

Industry Standards

UL 508A, Type 4, 4X & 12

CSA Certified, Type 4, 4X & 12

NEMA/EEMAC Type 4, 4X & 12

 UL File E64791

 CSA File LL66078

FEATURES-SPECIFICATIONS

Applications

Enclosure having the "WM" preferred cutout are sized for use with up to 200A disconnect switches and up to 400A circuit breakers unless otherwise specified. The "WM" preferred cutout accepts the smaller operating handle whose mounting hole centers are 4.677 in. apart.



"WM" PREFERRED
CUTOUT
for WAXSSN4 &
WACPXSSN4

Allen-Bradley

- 1494V disconnect switches with flange-mount variable depth operating mechanisms and 1494V flange-mounted variable depth operating mechanisms for circuit breakers
- 140U flexible cable operating mechanisms and 140U molded case circuit breakers
- 1494C cable-operated disconnect switches with flange-mount handles
- 194RC cable-operated flange-mount handles for use with the NFPA 79 compliant 194R IEC rotary disconnect switches

Allen-Bradley 1494V-R1, -R2 and -W2 operating handles and Allen-Bradley 1494F disconnect devices or 1494D circuit breaker operators will NOT fit these enclosures.

- ABB Controls flange-mounted variable depth operating mechanisms for disconnect switches and circuit breakers. Also the cable version for circuit breakers.
- Eaton Cutler-Hammer Type C361 flange-mount variable depth operating mechanisms with disconnect switches and Type C371 flange-mount variable-depth operating mechanisms for circuit breakers.

- General Electric Type STDA flange handles and variable depth operating mechanisms for disconnect switches and circuit breakers. Also Spectra Flex™ cable operators for circuit breakers
- Siemens ITE Max-Flex™ flange-mounted variable depth operating handles for circuit breakers
- Schneider Square D® Class 9422 disconnect switches with flange-mounted variable depth operating mechanisms or cable mechanisms and Class 9422 flange-mount variable-depth operating mechanism or cable mechanisms for circuit breakers.

These enclosures will not accept Schneider Square D® Class 9422 bracket-mounted disconnect devices, Class 9422TG1 or TG2 devices.

All 24.12 in. and deeper enclosures using short connecting rods by the following manufacturers

- ABB Controls flange-operated devices
- Eaton Cutler-Hammer C361 devices
- Eaton Cutler-Hammer C371 mechanisms which use C371E, F, G, K operating mechanism (see Disconnect Enclosure Accessories)
- General Electric Type TDA devices (see Disconnect enclosure Accessories)
- Schneider Square D Class 9422 devices (see Disconnect enclosure Accessories)

Require long connecting rods ordered in place of short connecting rods.

- For Eaton Cutler-Hammer operating mechanisms C371E and C371F order catalog number C371CS1 connecting rod. For C371G and C371K order catalog number C371CS2 connecting rod.

- For General Electric devices, order catalog number TDSR extended length drive rod
- For Schneider Square D devices, order catalog number 9422-R2 extra long operating rod(s). Some devices require two rods.

IMPORTANT Ordering Information

- Disconnect switch or circuit breakers, operating handle and operating mechanism are not furnished with the enclosure and must be ordered separately from the disconnect manufacturer
- Disconnect ordering information is located on page G49
- Review space occupied by disconnect drawings on page G45 and disconnect tables on pages G50-G59 to determine if the disconnect device you are using will fit the enclosure size you have selected

Construction

- Bodies and doors are fabricated from 304 stainless steel.
- Seams are continuously welded and ground smooth
- Body stiffeners provided for extra rigidity
- Heavy gauge continuous hinges to secure doors
- Heavy-duty 3-point 316L SS padlocking handles on all doors
- 15-inch floor stands are welded to enclosure
- Doors are sealed with a poured in place gasket
- Heavy-duty lifting eyes and provisions for lighting are provided
- Collar studs are provided for mounting optional back panels
- Grounding provisions are provided

- Unless specified, the right door is considered to be the “Master” door on the “Right Flange” disconnect enclosures and the left door is the “Master” door on the “Center Post” disconnect enclosures.
- A mechanical interlock is provided and prevents the slave door from opening before opening the master door

- Disconnects come with a “WM” cutout
 - Removable center post permits easy panel installation
- Finish**
- Exterior surfaces of the enclosure have a smooth grained finish
 - **Optional** back panels are painted with a white polyester powder

- **Optional** “G” panels are pre-galvanized steel

Accessories

- See pages L1-L24
- Blank adapter plates on page G60

WAX-SSN4 ENCLOSURES NEMA 4X TWO DOOR RIGHT FLANGE DISCONNECT

Catalog Number	Enclosure Size HxWxD	Back Panel Catalog Number*		Back Panel Size AxB
		White	“G”	
WA60X4912SSN4	60.12x49.75x12.12 (1527x1264x308)	NPDD6048	NPDD6048G	56.00x44.00 (1422x1118)
WA60X4918SSN4	60.12x49.75x18.12 (1527x1264x460)	NPDD6048	NPDD6048G	56.00x44.00 (1422x1118)
WA60X6112SSN4	60.12x61.75x12.12 (1527x1568x308)	NPDD6060	NPDD6060G	56.00x56.00 (1422x1422)
WA60X6118SSN4	60.12x61.75x18.12 (1527x1568x460)	NPDD6060	NPDD6060G	56.00x56.00 (1422x1422)
WA72X6112SSN4	72.12x61.75x12.12 (1832x1568x308)	NPDD7260	NPDD7260G	68.00x56.00 (1727x1422)
WA72X6118SSN4	72.12x61.75x18.12 (1832x1568x460)	NPDD7260	NPDD7260G	68.00x56.00 (1727x1422)
WA72X7312SSN4	72.12x73.75x12.12 (1832x1873x308)	NPDD7272	NPDD7272G	68.00x68.00 (1727x1727)
WA72X7318SSN4	72.12x73.75x18.12 (1832x1873x460)	NPDD7272	NPDD7272G	68.00x68.00 (1727x1727)
WA72X7324SSN4	72.12x73.75x24.12 (1832x1873x613)	NPDD7272	NPDD7272G	68.00x68.00 (1727x1727)

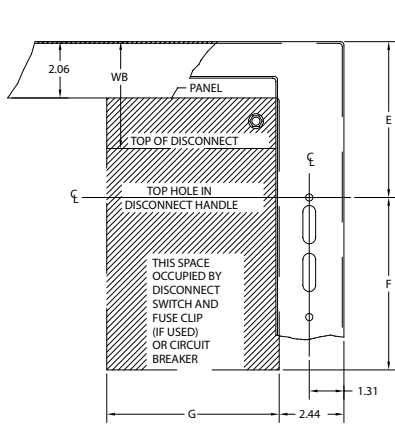
WACPX-SSN4 ENCLOSURES NEMA 4X TWO DOOR CENTER POST DISCONNECT

Catalog Number	Enclosure Size HxWxD	Back Panel Catalog Number*		Back Panel Size AxB
		White	“G”	
WA60CPX4812SSN4	60.12x48.50x12.12 (1527x1273x308)	NPDD6048	NPDD6048G	56.00x44.00 (1422x1118)
WA60CPX6012SSN4	60.12x60.50x12.12 (1527x1273x308)	NPDD6060	NPDD6060G	56.00x56.00 (1422x1422)
WA72CPX7212SSN4	72.12x72.50x12.12 (1832x1273x308)	NPDD7272	NPDD7272G	68.00x68.00 (1728x1728)
WA72CPX7218SSN4	72.12x72.50x18.12 (1832x1273x460)	NPDD7272	NPDD7272G	68.00x68.00 (1728x1728)

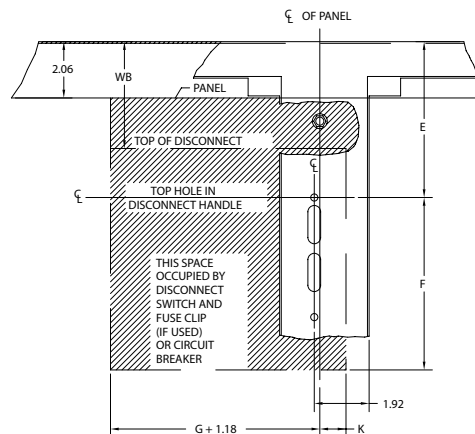
*Back panels must be ordered separately.

Note:

1. See pages G50-G59 for various brands of disconnects for “E”, “F”, “G”, “K” and “WB” dimensions.
2. Disconnects will occupy space on panel shown by dimensions “E”, “F”, “G” and “K”. Wiring space “WB” is available when disconnect is installed in the enclosure.
3. When ordering 24.13 (613mm) deep enclosures, long connecting rods must be ordered. Long connecting rods are available from disconnect manufacturers.
 - ABB Controls flange-operated devices
 - Eaton Cutler-Hammer C361 devices
 - Eaton Cutler-Hammer C371 operating mechanisms C371E and C371F, order catalog number C371CS1 connecting rod. For C371G and C371K, order catalog number C371CS2 connecting rod.
 - General Electric TDA devices, order catalog number TDSR extended length drive rod
 - For Schneider Square D® 9422 devices, order catalog number 9422-R2 extra long operating rod(s). Some devices require two rods.



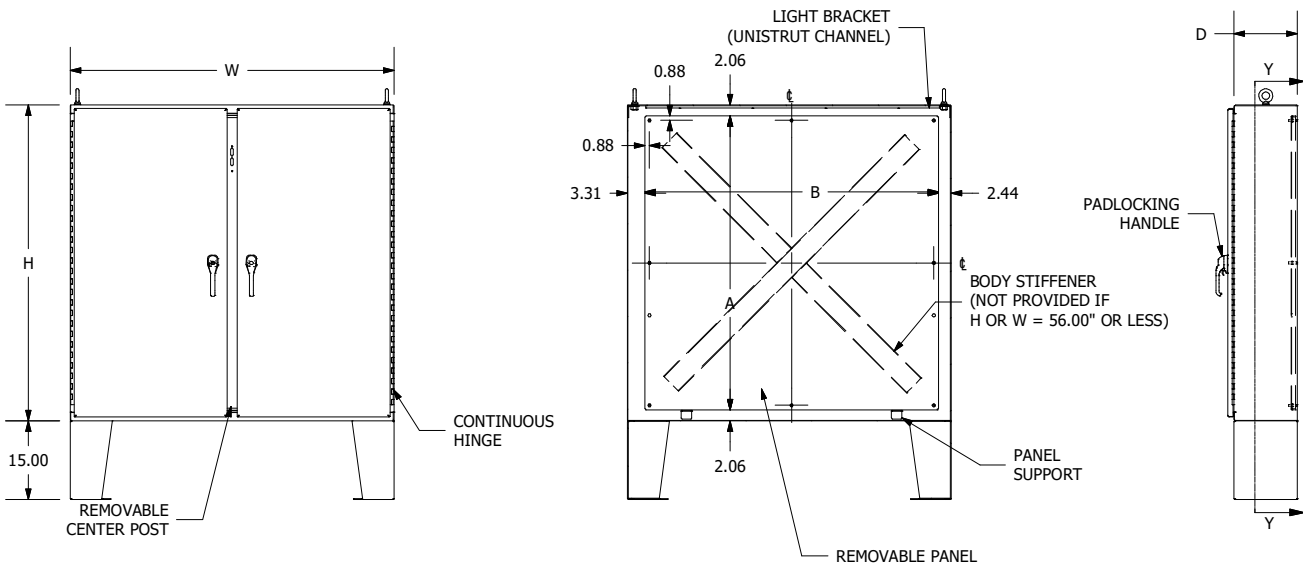
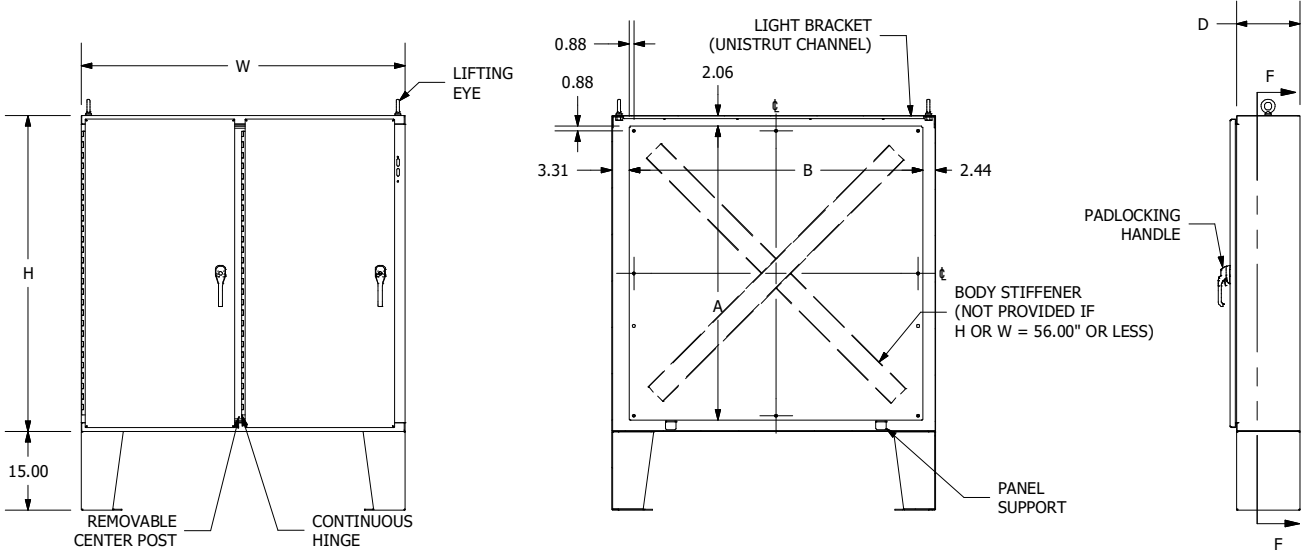
“WAX-SSN4” Style Enclosures



“WACPX-SSN4” Style Enclosures

Refer to *National Electrical Code®* article 430-10(b) for wiring space required for line side conductors to be connected to disconnect. Verify your application to determine if wiring space is adequate.

**WAX-SSN4 & WACPX-SSN4 ENCLOSURES
NEMA 4X TWO DOOR FLOOR-MOUNT DISCONNECT**





WA72XM2818SSN4

Industry Standards

UL 508A, Type 3R, 4, 4X & 12
CSA Certified, Type 4, 4X & 12
NEMA/EEMAC Type 3R, 4, 4X & 12

UL File E64791

CSA File LL66078

FEATURES-SPECIFICATIONS

Applications

Enclosure having the “WM” preferred cutout are sized for use with up to 200A disconnect switches and up to 400A circuit breakers unless otherwise specified. The “WM” preferred cutout accepts the smaller operating handle whose mounting hole centers are 4.677 in. apart. See Page G44 for Allen-Bradley, ABB, Eaton Cutler Hammer, General Electric, Siemens ITE & Schneider Square D options.



**“WM” PREFERRED CUTOUT
WAXM-SSN4**

- Heavy gauge continuous hinges to support each door
- Heavy-duty lifting eyes and provisions for lighting are provided
- 3-point 316L SS padlocking handles on all doors
- Center posts are removable to permit easy panel installation
- Grounding provisions are provided
- Doors are sealed with a poured in place gasket
- Unless specified, the far right door is considered to be the “Master” door. All other doors are considered slave doors.
- The mechanical interlock is activated by the master door which prevents the slave doors from being opened first. Doors can be closed in any order
- Disconnects come with a “WM” Preferred cutout which provides mounting for most disconnect operators by using operator adapters

IMPORTANT Ordering Information

- Disconnect switch, circuit breakers, operating handle and operating mechanism are **not** furnished with the enclosures and must be ordered separately from the disconnect manufacturer
- Disconnect ordering information is located on page G49
- Review space occupied by disconnect drawings on page G48 and disconnect tables on pages G50-G59 to determine if the disconnect device you are using will fit the enclosure size you have selected

Construction

- Bodies and doors are fabricated from 304 stainless steel.
- Removable back panels are included and mounted on collar studs
- Seams are continuously welded and ground smooth
- Body stiffeners provided for extra rigidity

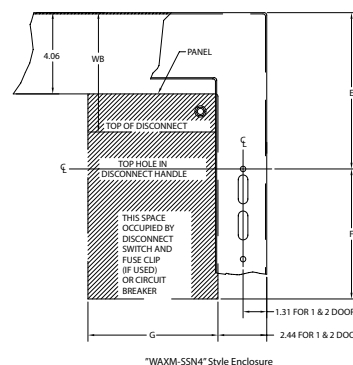
Finish

- Exterior surfaces of the enclosure have a smooth grained finish
- Included back panels are painted with a white polyester powder

Accessories

- See pages L1-L24
- Back panels (reference table)

Space Occupied by Disconnect



Note:

1. See pages G50-G59 for various brands of disconnects for “E”, “F”, “G” and “WB” dim.
2. Disconnects will occupy space on panel shown by dimensions “E”, “F” and “G”. Wiring space “WB” is available when disconnect is installed in the enclosure.
3. When ordering 24.13 (613mm) deep enclosures, long connecting rods must be ordered. Long connecting rods are available from disconnect manufacturers.
 - ABB Controls flange-operated devices
 - Eaton Cutler-Hammer C361 devices
 - Eaton Cutler-Hammer C371 operating mechanisms C371E and C371F, order catalog number C371CS1 connecting rod. For C371G and C371K, order catalog number C371CS2 connecting rod.
 - General Electric TDA devices, order catalog number TDSR extended length drive rod
 - For Schneider Square D® 9422 devices, order catalog number 9422-R2 extra long operating rod(s). Some devices require two rods.

Refer to National Electrical Code® article 430-10(b) for wiring space required for line side conductors to be connected to disconnect. Verify your application to determine if wiring space is adequate.

WAXM-SSN4 SERIES ENCLOSURES NEMA 4X RIGHT FLANGE SINGLE & DOUBLE DOOR FREESTANDING DISCONNECT

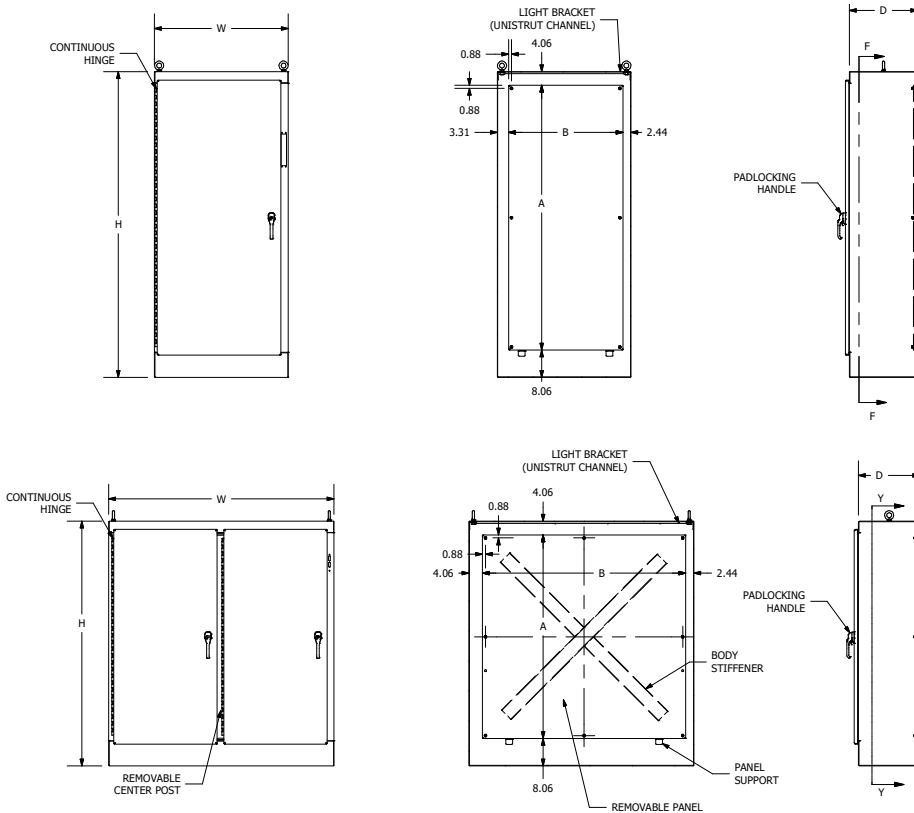
WAXM-SSN4 ENCLOSURES NEMA 4X SINGLE DOOR RIGHT FLANGE FREESTANDING DISCONNECT

Catalog Number	Size HxWxD	Back Panel Size AxB*
WA72XM2718SSN4	72.12x27.50x18.12 (1832x718x460)	60.00x21.75 (1524x552)
WA72XM3318SSN4	72.12x33.50x18.12 (1832x870x460)	60.00x27.75 (1524x705)
WA72XM3918SSN4	72.12x39.50x18.12 (1832x1022x460)	60.00x33.75 (1524x857)
WA84XM3918SSN4	84.12x39.50x18.12 (2137x1022x460)	72.00x33.75 (1829x857)
WA84XM3924SSN4	84.12x39.50x24.12 (2137x1022x613)	72.00x33.75 (1981x857)
WA90XM3918SSN4	90.12x39.50x18.12 (2289x1022x460)	78.00x33.75 (2007x857)
WA90XM3920SSN4	90.12x39.50x20.12 (2289x1022x511)	78.00x33.75 (2032x857)
WA90XM3924SSN4	90.12x39.50x24.12 (2289x1022x613)	78.00x33.75 (2057x857)

WA-XM-SSN4 ENCLOSURES NEMA 4X TWO DOOR RIGHT FLANGE FREESTANDING DISCONNECT

Catalog Number	Size HxWxD	Back Panel Size AxB*
WA72XM5318SSN4	72.12x54.50x18.12 (1832x1384x460)	60.00x48.00 (1524x1219)
WA72XM6518SSN4	72.12x66.50x18.12 (1832x1689x460)	60.00x60.00 (1524x1524)
WA72XM7718SSN4	72.12x78.50x18.12 (1832x1994x460)	60.00x72.00 (1524x1829)
WA72XM7724SSN4	72.12x78.50x24.12 (1832x1994x613)	60.00x72.00 (1524x1829)
WA84XM7718SSN4	84.12x78.50x18.12 (2137x1022x460)	72.00x72.00 (1829x1829)
WA84XM7724SSN4	84.12x78.50x24.12 (2137x1022x613)	72.00x72.00 (1829x1829)
WA90XM7718SSN4	90.12x78.50x18.12 (2289x1994x460)	78.00x72.00 (1981x1829)
WA90XM7720SSN4	90.12x78.50x20.12 (2289x1994x511)	78.00x72.00 (1981x1829)
WA90XM7724SSN4	90.12x78.50x24.12 (2289x1994x613)	78.00x72.00 (1981x1829)

*Back panels must be ordered separately.



DISCONNECT ORDERING INFORMATION

When ordering wall-mounted disconnects from the various manufacturers, be sure to order all of the necessary items. Each company has a different system, so care is required. Order the following items from the disconnect manufacturer.

Allen-Bradley

When using a Bulletin 1494F flange-mounted disconnect switch, order:

1. A disconnect switch
2. A fuse block adapter, if required
3. Line and load connectors, if required

When using a Bulletin 1494D flange-mounted operator for a circuit breaker, order:

1. A circuit breaker
2. A flange-mounted operating mechanism
3. A slide mechanism

When using a Bulletin 1494V disconnect switch, order:

- *1. A disconnect switch
- *2. An operating handle
- *3. A connecting rod (long)
- *4. A trailer fuse block kit, if required
- *5. A fuse clip kit, if required
6. Line and load connectors, if required

When using a Bulletin 1494V circuit breaker operating mechanism, order:

1. A circuit breaker
2. A circuit breaker operating mechanism
3. An operating handle
4. A connecting rod (long)

ABB Controls

When using a disconnect switch, order:

1. A flange operated switch (fusible or non-fusible)
2. A shaft [DSFHS-17 for 18.12" (460mm) deep or DSFHS-22 for 20.12" (511mm) deep enclosures; in 24.12" (613mm) deep enclosures a platform must be used with shaft]
3. A handle (DSFHN-HS12)

When using a circuit breaker, order:

1. A circuit breaker (ABB)
- *2. An operating mechanism
- *3. A shaft [FHS-17 for 18.12" (460mm) deep or FHS-22 for 20.12" (511mm) deep enclosures; in 24.12" (613mm) deep enclosures a platform must be used with shaft]
- *4. Handle mechanism (FHN-HS12)

PLEASE NOTE:

1. Various other switch accessories and circuit breaker accessories are available from disconnect manufacturers. The above information is subject to change without notice. Please contact Hubbell-Wiegmann or the disconnect manufacturer if there are further questions.
2. The "Space Occupied" tables (pages G50-G59) are based upon information supplied by disconnect manufacturers. Hubbell-Wiegmann does not assume responsibility for the accuracy of these dimensions.

* Items available from disconnect manufacturer as complete kits.

Eaton Cutler-Hammer

When using a Type C361 disconnect switch, order:

- *1. A disconnect switch with an operating mechanism
- *2. An operating handle (C361H1 or C361H3)

When using a Type C371 circuit breaker operating mechanism with a C-H circuit breaker, order:

- *1. A circuit breaker
- *2. An operating mechanism
- *3. An operating handle

When using a Type SM handle mechanism, order:

1. A circuit breaker
2. A type SM handle mechanism

When using a Flex Shaft™ handle mechanism, order:

1. A circuit breaker
2. A complete Flex Shaft™ handle mechanism

General Electric

When using a disconnect switch, order:

1. A disconnect switch (Type QMR or QMW)
2. A fuse clip kit or no-fuse kit
3. A flange handle (STDA1 or STDA2)
4. A variable depth operating mechanism
5. An extended length drive rod

When using a circuit breaker, order:

1. A circuit breaker
2. A flange handle (STDA1 or STDA2)
3. A variable depth operating mechanism
4. An extended length drive rod

When using a circuit breaker with a Spectra Flex™ cable operator, order:

1. A circuit breaker
2. A flange-mounted handle mechanism
3. A breaker-mounted mechanism
4. An operating cable

Siemens ITE Max-Flex™

When using a disconnect switch, order:

1. A basic switch (right-hand)
2. A fuse or no-fuse kit
- ** 3. FHOHS flange-mounted handle
- ** 4. Switch operator
- ** 5. FHOECO48 cable

When using a circuit breaker, order:

1. A circuit breaker
2. Pressure wire connectors
- ** 3. A flange-mounted handle
- ** 4. A circuit breaker operator mechanism
- ** 5. An operating cable [18.12" (460mm) deep or 20.12" (511mm) deep enclosures accept 36.00" (914mm) or 48.00" (1219mm) cables; 24.12" (613mm) deep enclosures require a 48.00" (1219mm) cable]

** These items are available from Siemens ITE Max-Flex™ as a complete mechanism with a 36.00" (914mm) operating cable only. Order items separately when using a 48.00" (1219mm) operating cable.

Schneider Square D®

When using a disconnect switch, order:

1. A disconnect switch with operating mechanism
2. A universal handle mechanism
3. A long operating rod, if required

When using a circuit breaker, order:

1. A circuit breaker
2. An operating mechanism
3. A universal handle mechanism
4. A long operating rod, if required

When using a Class 9422 Type "T" disconnect switch with a cable mechanism, order:

1. A disconnect switch with operating mechanism (Class 9422 Type T)
2. A handle mechanism (Class 9422 Type A-1)
3. A cable mechanism (Class 9422 CFT_O) 3-, 5-, or 10-foot

When using a circuit breaker with a cable mechanism, order:

1. A circuit breaker (Schneider Square D®)
2. A handle mechanism (Class 9422 Type A-1)
3. A cable mechanism (Class 9422 CFT_O) 3-, 5-, or 10-foot

**FLOOR-MOUNT • FREESTANDING • MODULAR SERIES ENCLOSURES
DISCONNECT SPACE OCCUPIED & AVAILABLE WIRING SPACE INFORMATION**

ALLEN-BRADLEY TYPE 1494F DISCONNECT SWITCHES†

Type Number	Amp Rating	Fuse Clip	Fuse Class	Space Occupied			Wire Bend Space "WB" Above Disconnect				
				F	G*	K	Two Door Floor-Mount (Pages G27-28 & G44-45)		Freestanding & Modular (Pages G31-G48)		
							When H= 60.12 WB	When H= 72.12 WB	When H= 72.12 WB	When H= 84.12 WB	When H= 90.12 WB
N30	30A	No fuse	—	4.62	6.5	0.99	5.31	11.31	9.31	15.31	18.31
NF30	30A	30A-250V	H, K, R	6.5	6.5	0.99	5.31	11.31	9.31	15.31	18.31
NF30	30A	60A-250V	H, K, R	7.25	6.5	0.99	5.31	11.31	9.31	15.31	18.31
NF30	30A	30A-600V	H, K, R	9.25	6.5	0.99	5.31	11.31	9.31	15.31	18.31
NF30	30A	60A-600V	H, K, R	9.75	6.5	0.99	5.31	11.31	9.31	15.31	18.31
NF30	30A	30A-600V	J	6.5	6.5	0.99	5.31	11.31	9.31	15.31	18.31
NF30	30A	60A-600V	J	6.62	6.5	0.99	5.31	11.31	9.31	15.31	18.31
N60	60A	No fuse	—	4.62	6.5	0.99	4.62	10.62	8.62	14.62	17.62
NF60	60A	30A-600V	H, K, R	10.38	6.5	0.99	4.62	10.62	8.62	14.62	17.62
NF60	60A	60A-250V	H, K, R	8.38	6.5	0.99	4.62	10.62	8.62	14.62	17.62
NF60	60A	100A-250V	H, K, R	10.88	6.5	0.99	4.62	10.62	8.62	14.62	17.62
NF60	60A	60A-600V	H, K, R	10.88	6.5	0.99	4.62	10.62	8.62	14.62	17.62
NF60	60A	100A-600V	H, K, R	12.88	6.62	0.99	4.62	10.62	8.62	14.62	17.62
NF60	60A	60A-600V	J	7.75	6.5	0.99	4.62	10.62	8.62	14.62	17.62
NF60	60A	100A-600V	J	9.75	6.5	0.99	4.62	10.62	8.62	14.62	17.62
N100	100A	No fuse	—	4.62	7.25	0.99	—	8.75	6.75	12.75	15.75
NF100	100A	100A-250V	H, K, R	11.38	7.38	0.99	—	8.75	6.75	12.75	15.75
NF100	100A	200A-250V	H, K, R	12.25	7.62	0.99	—	8.75	6.75	12.75	15.75
NF100	100A	100A-600V	H, K, R	13.38	7.5	0.99	—	8.75	6.75	12.75	15.75
NF100	100A	200A-600V	H, K, R	14.75	7.75	0.99	—	8.75	6.75	12.75	15.75
NF100	100A	100A-600V	J	10.12	7.38	0.99	—	8.75	6.75	12.75	15.75
NF100	100A	200A-600V	J	10.88	7.5	0.99	—	8.75	6.75	12.75	15.75
N200	200A	No fuse	—	7.12	10.38	1.06	—	7.12	5.12	11.12	14.12
NF200	200A	200A-250V	H, K, R	15	10.38	1.06	—	7.12	5.12	11.12	14.12
NF200	200A	400A-250V	H, K, R	16.56	10.75	1.06	—	7.12	5.12	11.12	14.12
NF200	200A	200A-600V	H, K, R	17.56	10.38	1.06	—	7.12	5.12	11.12	14.12
NF200	200A	400A-600V	H, K, R	19.56	11	1.06	—	7.12	5.12	11.12	14.12
NF200	200A	200A-600V	J	13.69	10.38	1.06	—	7.12	5.12	11.12	14.12
NF200	200A	400A-600V	J	15	10.62	1.06	—	7.12	5.12	11.12	14.12

ALLEN-BRADLEY TYPE 1494D OPERATORS FOR CIRCUIT BREAKERS†

Type Number	Amp Rating	Circuit Breaker Type Frame Size	Space Occupied			Wire Bend Space "WB" Above Disconnect				
			F	G*	K	Two Door Floor-Mount (Pages G27-28 & G44-45)		Freestanding & Modular (Pages G31-G48)		
						When H= 60.12 WB	When H= 72.12 WB	When H= 72.12 WB	When H= 84.12 WB	When H= 90.12 WB
N4/N40	150A	EHD, FD, FDB, FDC, HFD, HMCP General Electric	5.81	4.56	0.99	5.25	11.25	9.25	15.25	18.15
N5/N55	225A	TFK, THFK, TFC	8.81	4.75	0.99	4.44	10.44	8.44	14.44	17.44
N5/N50	250A	JD, JDB, JDC, HJD, HMCP	8.81	4.75	0.99	4.44	10.44	8.44	14.44	17.44
N5/N60	400A	KD, KDB, KDC, HKD, HMCP	8.81	5.88	0.99	—	10.5	8.5	14.5	17.5

*The "G" dimension does not include space for auxiliary switches. See Allen-Bradley instructions for additional space required.

†For Two Door Floor-Mount NEMA 12 "E" = 5.88 when "H" = 60.12
 "E" = 11.38 when "H" = 72.12, except 200A switches
 "E" = 10.06 when "H" = 72.12, 200A switches only

For Heavy Duty Freestanding and Modular Enclosures (Pages G31 - G48)
 "E" = 9.88 when "H" = 72.12, except 200A switch "E" = 8.56 when "H" = 72.12, 200A switch
 "E" = 15.38 when "H" = 84.12, except 200A switch "E" = 14.06 when "H" = 84.12, 200A switch
 "E" = 18.38 when "H" = 90.12, except 200A switch "E" = 17.06 when "H" = 90.12, 200A switch

FLOOR-MOUNT • FREESTANDING • MODULAR SERIES ENCLOSURES DISCONNECT SPACE OCCUPIED & AVAILABLE WIRING SPACE INFORMATION

ALLEN-BRADLEY TYPE 1494V DISCONNECT SWITCHES†

Type Number	Amp Rating	Fuse Clip	Fuse Class	Space Occupied			Wire Bend Space "WB" Above Disconnect				
							Two Door Floor-Mount (Pages G27-28 & G44-45)		Freestanding & Modular (Pages G31-G48)		
				F	G*	K	When H= 60.12 WB	When H= 72.12 WB	When H= 72.12 WB	When H= 84.12 WB	When H= 90.12 WB
DS30	30A	No fuse	—	3.88	6.75	0.56	5.85	11.85	9.85	15.85	18.85
DS30	30A	30A-250V	H, K, R	5.25	6.75	0.56	5.85	11.85	9.85	15.85	18.85
DS30	30A	30A-600V	H, K, R	8	6.75	0.56	5.85	11.85	9.85	15.85	18.85
DS30	30A	30A-600V	J	5.25	6.75	0.56	5.85	11.85	9.85	15.85	18.85
DS30	30A	60A-250V	H, K	6	6.75	0.56	5.85	11.85	9.85	15.85	18.85
DS30	30A	60A-600V	H, K	8.5	6.75	0.56	5.85	11.85	9.85	15.85	18.85
DS30	30A	60A-600V	J	5.38	6.75	0.56	5.85	11.85	9.85	15.85	18.85
DS60	60A	No fuse	—	3.88	6.75	0.56	5.08	11.08	9.08	15.08	18.08
DS60	60A	60A-250V	H, K, R	6	6.75	0.56	5.08	11.08	9.08	15.08	18.08
DS60	60A	60A-600V	H, K, R	8.5	6.75	0.56	5.08	11.08	9.08	15.08	18.08
DS60	60A	60A-600V	J	5.38	6.75	0.56	5.08	11.08	9.08	15.08	18.08
DS60	60A	30A-600V	H, K, R	8	6.75	0.56	5.08	11.08	9.08	15.08	18.08
DS60	60A	100A-250V	H, K	8.5	6.75	0.56	5.08	11.08	9.08	15.08	18.08
DS60	60A	100A-600V	H, K	10.5	6.75	0.56	5.08	11.08	9.08	15.08	18.08
DS60	60A	100A-600V	J	7.25	6.75	0.56	5.08	11.08	9.08	15.08	18.08
DS100**	100A	No fuse	—	3.88	6.75	0.56	4.89	10.89	8.89	14.89	17.89
DS100**	100A	100A-250V	H, K, R	8.12	6.75	0.56	4.89	10.89	8.89	14.89	17.89
DS100**	100A	100A-600V	H, K, R	10.12	6.75	0.56	4.89	10.89	8.89	14.89	17.89
DS100**	100A	100A-600V	J	6.8	6.75	0.56	4.89	10.89	8.89	14.89	17.89
DS100**	100A	60A-600V	H, K, R	10.12	6.75	0.56	4.89	10.89	8.89	14.89	17.89
DS100**	100A	60A-600V	J	8.88	6.75	0.56	4.89	10.89	8.89	14.89	17.89
DS200**	200A	No fuse	—	4.75	8	0.56	4.34	10.34	8.34	14.34	17.34
DS200**	200A	200A-250V	H, K, R	10.88	8	0.56	4.34	10.34	8.34	14.34	17.34
DS200**	200A	200A-600V	H, K, R	13.88	8	0.56	4.34	10.34	8.34	14.34	17.34
DS200**	200A	200A-600V	J	9.5	8	0.56	4.34	10.34	8.34	14.34	17.34
DS200**	200A	100A-600V	H, K, R	12	8	0.56	4.34	10.34	8.34	14.34	17.34
DS200**	200A	100A-600V	J	8.75	8	0.56	4.34	10.34	8.34	14.34	17.34
DS400	400A	No fuse	—	10.75	11	—	—	—	—	10.14	13.14
DS400	400A	400A-250V	H, K, R	16.12	11	—	—	—	—	10.14	13.14
DS400	400A	400A-600V	H, K, R	19.12	11	—	—	—	—	10.14	13.14
DS400	400A	400A-600V	J	14.62	11	—	—	—	—	10.14	13.14
DS600	600A	No fuse	—	10.75	11	—	—	—	—	10.14	13.14
DS600***	600A	600A-250V	H, R	10.75	11	—	—	—	—	10.14	13.14
DS600***	600A	600A-600V	H, R	10.75	11	—	—	—	—	10.14	13.14
DS600	600A	600A-600V	J	17.59	11	—	—	—	—	10.14	13.14

† The "G" dimension does not include space for auxiliary switches. See Allen-Bradley instructions for additional space required.
 ** Series B
 *** "F" and "G" do not include separately mounted fuse block.

† For Two Door Floor-Mount NEMA 12 (Pages G27-G28 & G44-G45) "E" = 7.88 when "H" = 60.12
 "E" = 13.38 when "H" = 72.12

For Heavy-Duty Freestanding and Modular Enclosures (Pages G31- G48) "E" = 11.88 when "H" = 72.12
 "E" = 17.38 when "H" = 84.12, except 400A or 600A switches
 "E" = 20.38 when "H" = 90.12, except 400A or 600A switches
 "E" = 15.93 when "H" = 84.12, 400A and 600A switches only
 "E" = 18.93 when "H" = 90.12, 400A and 600A switches only

**FLOOR-MOUNT • FREESTANDING • MODULAR SERIES ENCLOSURES
DISCONNECT SPACE OCCUPIED & AVAILABLE WIRING SPACE INFORMATION**

ALLEN-BRADLEY TYPE 1494V OPERATORS FOR CIRCUIT BREAKERS†

Type Number	Amp Rating	Circuit Breaker Type Frame Size	Wire Bend Space "WB" Above Disconnect							
			Space Occupied			Two Door Floor-Mount (Pages G27-28 & G44-45)		Freestanding & Modular (Pages G31-G48)		
			F	G*	K	When H= 60.12 WB	When H= 72.12 WB	When H= 72.12 WB	When H= 84.12 WB	When H= 90.12 WB
M40	15A-150A	EHD, FD, FDB, FDC, HFD, HMCP	5	4.62	0.56	7.25	13.25	11.25	17.25	20.25
M50	70A-250A	JD, JDB, JDC, HJD, HMCP	9.75	4.88	0.56	6.81	12.81	10.81	16.81	19.81
M60	100A-400A	KD, KDB, KDC, HKD, HMCP	9.69	6.25	0.56	—	12.62	10.62	16.62	19.62

*The "G" dimension does not include space for auxiliary switches. See Allen-Bradley instructions for additional space required.

†For Two Door Floor-Mount NEMA 12 "E" = 7.88 when "H" = 60.12
(Pages G27-G28 & G44-G456) "E" = 13.38 when "H" = 72.12

For Heavy Duty Freestanding and Modular Enclosures (Pages G31 - G48) "E" = 11.88 when "H" = 72.12
"E" = 17.38 when "H" = 84.12, except 400A or 600A switches
"E" = 20.38 when "H" = 90.12, except 400A or 600A switches
"E" = 15.93 when "H" = 84.12, 400A and 600A switches only
"E" = 18.93 when "H" = 90.12, 400A and 600A switches only

ABB CONTROLS DISCONNECT SWITCHES WITH FLANGE-MOUNTED OPERATORS†

Type Number	Amp Rating	Fuse Clip	Fuse Class	Wire Bend Space "WB" Above Disconnect							
				Space Occupied			Two Door Floor-Mount (Pages G27-28 & G44-45)		Freestanding & Modular (Pages G31-G48)		
				F	G	K	When H= 60.12 WB	When H= 72.12 WB	When H= 72.12 WB	When H= 84.12 WB	When H= 90.12 WB
OETL-NF30-F	40A	No fuse	—	4.45	3.91	0.56	9.53	15.53	13.53	19.53	22.53
OETL-NF60-F	80A	No fuse	—	4.86	3.91	0.56	9.34	15.34	13.34	19.34	22.34
OETL-NF100-F	100A	No fuse	—	4.86	4.91	0.56	8.78	14.78	12.78	18.78	21.78
OETL-NF175-F	175A	No fuse	—	7.3	6.62	0.56	6.53	12.53	10.53	16.53	19.53
OETL-NF200-F	200A	No fuse	—	7.36	7.41	0.56	6.53	12.53	10.53	16.53	19.53
OESA-F30J6-F	30A	30A-600V	J	4.28	6.7	0.56	7.85	13.85	11.86	17.86	20.86
OESA-F60J6-F	60A	60A-600V	J	4.28	6.39	0.56	7.85	13.85	11.86	17.86	20.86
OESA-F100J6-F	100A	100A-600V	J	6.54	7.78	0.56	7.42	13.42	11.42	17.42	20.42

ABB CONTROLS CIRCUIT BREAKERS WITH FLANGE-MOUNTED OPERATORS†

Type Number	Amp Rating	Frame Type	Wire Bend Space "WB" Above Disconnect							
			Space Occupied			Two Door Floor-Mount (Pages G27-28 & G44-45)		Freestanding & Modular (Pages G31-G48)		
			F	G	K	When H= 60.12 WB	When H= 72.12 WB	When H= 72.12 WB	When H= 84.12 WB	When H= 90.12 WB
FHD-M	150A	D	6.92	4.06	0.56	8.42	13.92	12.42	17.92	20.92
FHF-M	150A, 225A	E/Q	5.98	4.55	0.56	6.97	12.47	10.97	16.47	19.47
FHF-M	225A	F	7.44	4.55	0.56	6.97	12.47	10.97	16.47	19.47
FHJ-M	400A	J	9.71	5.75	0.56	5.02	10.52	9.02	14.52	17.52
FHM-M	600A	L	8.28	11.39	0.56	—	10.03	8.53	14.03	17.03
FHM-M	800A	M	10.11	11.39	0.56	—	9.62	8.12	13.62	16.62
FHN-M	1200A	N	12.18	11.39	0.56	—	—	—	9.81	12.81

†For Two Door Floor-Mount NEMA 12 (Pages G27-G28 & G44-G45) "E" = 7.88 when "H" = 60.12
"E" = 13.38 when "H" = 72.12
For Heavy Duty Freestanding and Modular Enclosures (Pages G31- G48) "E" = 11.88 when "H" = 72.12
"E" = 17.38 when "H" = 84.12
"E" = 20.38 when "H" = 90.12

FLOOR-MOUNT • FREESTANDING • MODULAR SERIES ENCLOSURES DISCONNECT SPACE OCCUPIED & AVAILABLE WIRING SPACE INFORMATION

EATON CUTLER-HAMMER C361 DISCONNECT SWITCHES†

Type Number	Amp Rating	Fuse Clip	Fuse Class	Wire Bend Space "WB" Above Disconnect							
				Space Occupied			Two Door Floor-Mount (Pages G27-28 & G44-45)		Freestanding & Modular (Pages G31-G48)		
				F	G	K	When H= 60.12 WB	When H= 72.12 WB	When H= 72.12 WB	When H= 84.12 WB	When H= 90.12 WB
C361NC	30A	No fuse	—	5.75	7.55	0.56	6.5	12.5	10.5	16.5	19.5
C361SC21	30A	30A-250V	H, K, R	8.38	7.55	0.56	6.5	12.5	10.5	16.5	19.5
C361SC61	30A	60A-250V	H, K, R	8.38	7.55	0.56	6.5	12.5	10.5	16.5	19.5
C361SC61	30A	30A-600V	H, J, K, R	8.38	7.55	0.56	6.5	12.5	10.5	16.5	19.5
C361ND	60A	No fuse	—	5.75	7.55	0.56	6.5	12.5	10.5	16.5	19.5
C361SD22	60A	60A-250V	H, K, R	8.38	7.55	0.56	6.5	12.5	10.5	16.5	19.5
C361SD22	60A	30A-600V	J	8.38	7.55	0.56	6.5	12.5	10.5	16.5	19.5
C361SD62	60A	60A-600V	H, K, R	8.38	7.55	0.56	6.5	12.5	10.5	16.5	19.5
C361SD62	60A	60A-600V	J	8.38	7.55	0.56	6.5	12.5	10.5	16.5	19.5
C361NE	100A	No fuse	—	5.56	9.07	0.56	6.06	12.06	10.06	16.06	19.06
C361SE263	100A	100A-250V	H, K, R	10.31	9.07	0.56	6.06	12.06	10.06	16.06	19.06
C361SE263	100A	100A-250V	H, K, R	10.31	9.07	0.56	6.06	12.06	10.06	16.06	19.06
C361SE263	100A	100A-600V	J	10.31	9.07	0.56	6.06	12.06	10.06	16.06	19.06
C361NF	200A	No fuse	—	13.06	10.12	0.56	4.06	10.06	8.06	14.06	17.06
C361SF264	200A	200A-250V	H, K, R	13.06	10.12	0.56	4.06	10.06	8.06	14.06	17.06
C361SF264	200A	200A-600V	H, K, R	13.06	10.12	0.56	4.06	10.06	8.06	14.06	17.06

EATON CUTLER-HAMMER C371 CIRCUIT BREAKER OPERATORS‡

Type Number	Amp Rating	Frame Type	Wire Bend Space "WB" Above Disconnect							
			Space Occupied			Two Door Floor-Mount (Pages G27-28 & G44-45)		Freestanding & Modular (Pages G31-G48)		
			F	G	K	When H= 60.12 WB	When H= 72.12 WB	When H= 72.12 WB	When H= 84.12 WB	When H= 90.12 WB
C371E	225A	F Frame: EHD, FDB, FD, HFD, FDC	6	5.62	0.56	7.62	13.62	11.62	17.12	20.12
C371E	150A	F Frame: HMCP	6	5.62	0.56	7.62	13.62	11.62	17.12	20.12
C371F	225A	J Frame: JDB, JD, HJD, JDC	8.94	8.12	0.56	7.50*	13	11.44	16.94	20
C371F	225A	J Frame: HMCP	10.94	8.12	0.56	7.50*	13	11.44	16.94	20
C371F	400A	K Frame: DK, KDB, KD, HKD	9.75	8.12	0.56	7.00*	13	11	17	20
C371F	400A	K Frame: HMCP	9.75	8.12	0.56	7.00*	13	11	17	20
C371G	600A	L Frame: LD, HLD, LDC	8.44	12	0.56	—	10.88**	9.38	15.38	18.38
C371G	600A	L Frame: HMCP	8.44	12	0.56	—	10.88**	9.38	15.38	18.38
C371K	800A	M Frame: MD, MDS	10.25	12	0.56	—	—	—	11.81	14.81
C371K	1200A	N Frame: ND, HND, NDC	10.25	12	0.56	—	—	—	11.81***	14.81

* Available wire bend space "WB" does not allow cable sizes larger than 4/0 AWG in a 60.12-inch tall enclosure.

** Available wire bend space "WB" does not allow cable sizes larger than 300 MCM.

*** Available wire bend space "WB" does not allow cable sizes larger than 350 MCM in a 90.12-inch tall enclosure when using 4 cable per terminal.

See National Electrical Code®, table 373-6(b) for more information. Available wire bend space "WB" is insufficient for use with breakers equipped with TA1201NB1 terminals.

†For Two Door Floor-Mount NEMA 12
(Pages G27-G28 & G44-G45)

"E" = 7.88 when "H" = 60.12
"E" = 13.38 when "H" = 72.12

For Heavy-Duty Freestanding
and Modular Enclosures
(Pages G31- G48)

"E" = 11.88 when "H" = 72.12
"E" = 17.38 when "H" = 84.12
"E" = 20.38 when "H" = 90.12

**FLOOR-MOUNT • FREESTANDING • MODULAR SERIES ENCLOSURES
DISCONNECT SPACE OCCUPIED & AVAILABLE WIRING SPACE INFORMATION**

EATON CUTLER-HAMMER FLEX SHAFT™ OPERATOR MECHANISMS

Complete Operator Mechanism	Amp Rating	Frame Type	Breaker Type	Breaker width
F1S03	225A	F Frame: EHD, FDB, FD, HFD	6	4.12
F1S03	150A	F Frame: HMCP	6	4.12
F2S03	250A	J Frame: jdb, jd, hjd, jdc	10	4.12
F2S03	250A	J Frame: HMCP	10	4.12
F3S03	400A	K Frame: dk, kdb, kd, hkd	10.12	5.5
F3S03	400A	K Frame: HMCP	12.45	5.5
F4S04	600A	L Frame: LD, HLD, LDC	10.75	8.25
F4S04	600A	L Frame: HMCP	12.5	8.25
F7S04	800A	M Frame: MD, MDS	16	8.25
F5S04	1200A	N Frame: ND, HND, NDC	16	8.25
F6S04	2500A	R Frame: RD, CRD, RDC	16	15.5

- Catalog numbers for complete mechanisms include a flange-mounted handle, flexible shaft and circuit breaker mechanism.
- The last digit of the catalog number denotes the length of shaft (F1S03 = 3-foot shaft). The F, J, K frame Flex Shafts™ are available in 3-foot to 10-foot lengths. The L, N, R frame Flex Shafts are available in 4-foot to 6-foot lengths.

Space Occupied by Disconnect

- The Flex Shaft™ system allows the circuit breaker to be positioned independent from the flange-mounted handle mechanism.
- Refer to **National Electrical Code®** article 430-10(b) for wiring space "WB" required for line side conductors.
- Choose the length of shaft based on placement of the circuit breaker in the enclosure ensuring a 4-inch min. bending radius for the Flex Shaft.™
- Space occupied by circuit breaker is determined by overall height "X", width "Y", wire bend space "WB" and location "G" as selected from right to left.

EATON CUTLER-HAMMER C371 CIRCUIT BREAKER OPERATORS†

Handle Mechanism	Use With Circuit Breaker	Wire Bend Space "WB" Above Disconnect								
		Space Occupied			Two Door Floor-Mount (Pages G27-28 & G44-45)		Freestanding & Modular (Pages G31-G48)			
		F	G	K	When H= 60.12 WB	When H= 72.12 WB	When H= 72.12 WB	When H= 84.12 WB	When H= 90.12 WB	
SM101PR	FB Tri-Pac	8	5.38	0.81	6.5	12.5	10.5	16.5	19.5	
SM150R	F Frame: EHD, FDB, FD, HFD, FDC	8	5.38	0.81	6.5	12.5	10.5	16.5	19.5	
SM250JR	J Frame: JDB, JD, HJD, JDC	8.5	7.5	0.81	—	10	8	14	17	
SM400KR	K Frame: DK, KDB, KD, HKD	9.06	7.5	0.81	—	9.62	7.62	13.62	16.62	
SM400PR	LA Tri-Pac	14.44	9.75	0.81	—	9.75	7.75	13.75	16.75	
SM600R	L Frame: LD, HLD, LDC	8.81	7.62	0.81	—	—	—	12.88	15.88	
SM800R	M Frame: MD, MDS, HMD	10.68	9.75	0.81	—	—	—	10.16	13.16	
SM800PR	NB Tri-Pac	16.81	9.75	0.81	—	—	—	10.16	13.16	

† For Two Door Floor-Mount NEMA 12 (Pages G27-G28 & G44-G45)
 "E" = 7.31 when "H" = 60.12 for up to type SM200
 "E" = 12.81 when "H" = 72.12 for up to type SM200
 "E" = 6.88 when "H" = 60.12 for type SM200 and larger
 "E" = 12.38 when "H" = 72.12 for type SM200 and larger

For Heavy-Duty Freestanding and Modular Enclosures (Pages G31 - G48)
 "E" = 11.31 when "H" = 72.12 for up to type SM200
 "E" = 16.81 when "H" = 84.12 for up to type SM200
 "E" = 19.81 when "H" = 90.12 for up to type SM200
 "E" = 10.88 when "H" = 72.12 for type SM200 and larger
 "E" = 16.38 when "H" = 84.12 for type SM200 and larger
 "E" = 19.38 when "H" = 90.12 for type SM200 and larger

FLOOR-MOUNT • FREESTANDING • MODULAR SERIES ENCLOSURES DISCONNECT SPACE OCCUPIED & AVAILABLE WIRING SPACE INFORMATION

G55

GENERAL ELECTRIC TYPE STDA DISCONNECT SWITCH OPERATORS†

Switch Mechanism	Amp Rating	Fuse Clip	Fuse Class	Wire Bend Space "WB" Above Disconnect							
				Space Occupied			Two Door Floor-Mount (Pages G27-28 & G44-45)		Freestanding & Modular (Pages G31-G48)		
				F	G	K	When H= 60.12 WB	When H= 72.12 WB	When H= 72.12 WB	When H= 84.12 WB	When H= 90.12 WB
TDOM1A	30A	No fuse	—	6.88	5.38	0.56	8.38	14.38	12.38	18.38	21.38
TDOM1A	30A	30A-250V	H, R	6.88	5.38	0.56	8.38	14.38	12.38	18.38	21.38
TDOM1B	30A	30A-600V	H, R	11.5	5.38	0.56	8.38	14.38	12.38	18.38	21.38
TDOM1B	30A	60A-250V	H, R	11.5	5.38	0.56	8.38	14.38	12.38	18.38	21.38
TDOM1B	30A	60A-600V	H, R	11.5	5.38	0.56	8.38	14.38	12.38	18.38	21.38
TDOM1A	60A	No fuse	—	6.88	5.38	0.56	8.38	14.38	12.38	18.38	21.38
TDOM1B	60A	60A-250V	H, R	11.5	5.38	0.56	8.38	14.38	12.38	18.38	21.38
TDOM1B	60A	60A-600V	H, R	11.5	5.38	0.56	8.38	14.38	12.38	18.38	21.38
TDOM1B	60A	100A-250V	H, R	11.5	5.38	0.56	8.38	14.38	12.38	18.38	21.38
TDOM1B	60A	100A-600V	H, R	11.5	5.38	0.56	8.38	14.38	12.38	18.38	21.38
TDOM1A	100A	No fuse	—	6.88	5.38	0.56	8.38	14.38	12.38	18.38	21.38
TDOM1B	100A	100A-250V	H, R	11.5	5.38	0.56	8.38	14.38	12.38	18.38	21.38
TDOM1B	100A	100A-600V	H, R	11.5	5.38	0.56	8.38	14.38	12.38	18.38	21.38
TDOM1B	100A	200A-250V	H, R	11.5	5.38	0.56	8.38	14.38	12.38	18.38	21.38
TDOM1B	100A	200A-600V	H, R	11.5	5.38	0.56	8.38	14.38	9.69	18.38	21.38
TDOM2	200A	No fuse	—	7	9.25	0.56	5.69	11.69	9.69	15.69	18.69
TDOM2	200A	200A-250V	H, R	15.38	9.25	0.56	5.69	11.69	9.69	15.69	18.69
TDOM2	200A	200A-600V	H, R	15.38	9.25	0.56	5.69	11.69	9.69	15.69	18.69

GENERAL ELECTRIC TYPE STDA CIRCUIT BREAKERS OPERATORS†

Circuit Breaker Mechanism	Amp Rating	Frame Type	Wire Bend Space "WB" Above Disconnect							
			Space Occupied			Two Door Floor-Mount (Pages G27-28 & G44-45)		Freestanding & Modular (Pages G31-G48)		
			F	G	K	When H= 60.12 WB	When H= 72.12 WB	When H= 72.12 WB	When H= 84.12 WB	When H= 90.12 WB
SDOM1A	150A	TEB, TED, THED	6.88	5.38	0.56	7.24	13.24	11.24	17.24	20.24
SDOM1A	150A	TEC	6.88	5.38	0.56	7.24	13.24	11.24	17.24	20.24
TDOM1B	150A	TBI	11.5	5.38	0.56	7.24	13.24	11.24	17.24	20.24
TDOM1B	150A	TEC, TECL	11.5	5.38	0.56	7.24	13.24	11.24	17.24	20.24
TDOM1C	150A	TEL	6.88	5.38	0.56	7.24	13.24	11.24	17.24	20.24
TDOM1D	150A	THLCI	6.88	5.38	0.56	5.87	11.87	9.87	15.87	18.87
TDOM3	225A	TFJ	10.38	5.88	0.56	6.81	12.81	10.81	16.31	19.81
TDOM3	225A	TFK, THFK, TFL	10.38	5.88	0.56	6.81	12.81	10.81	16.31	19.81
TDOM4	400A	TJJ, TJK4, THJK4, TJL4V	8.25	9.5	0.56	—	11.91	9.91	15.91	18.91
TDOM4	600A	TJK6, THJK6, TJ4V, TJL4V	8.25	9.5	0.56	—	11.91	9.91	15.91	18.91
TDOM5	400A	TB4, TJH6S	14.25	9.5	0.56	—	11.91	9.91	15.91	18.91
TDOM6	225A	TLB2, THLC2	11.75	9.5	0.56	—	11.35	—	15.35	18.35
TDOM6	400A	TLB4, THLC4	11.75	9.5	0.56	—	9.97	—	13.97	16.97
TDOM6	800A-1200A	TKMA, THKMA, TK4V	11.75	9.5	0.56	—	—	—	—	18.38
TDOM6	1200A	TK4V, THK4V	11.75	9.5	0.56	—	—	—	—	18.38
TDOM7	600A	TB6	18.12	9.5	0.56	—	—	—	12.25	15.25
TDOM7	800A	TB8	18.12	9.5	0.56	—	—	—	12.25	15.25
TDOM7	1200A	TKLI2S	18.12	9.5	0.56	—	—	—	—	15.25
SDOM1A	150A	SPECTRA SE150	6.88	5.38	0.56	7.24	12.74	11.24	16.74	19.74
SDOM3	250A	SPECTRA SF250	10.38	5.88	0.56	6.81	11.38	10.81	16.31	19.31
SDOM4	600A	SPECTRA SG600	10	7.12	0.56	—	8.68	—	12.68	15.68

†For Two Door Floor-Mount NEMA 12 (Pages G27-G28 & G44-G45)

"E" = 7.88 when "H" = 60.12
"E" = 13.38 when "H" = 72.12

For Heavy-Duty Freestanding and Modular Enclosures (Pages G31 - G48)

"E" = 11.88 when "H" = 72.12
"E" = 17.38 when "H" = 84.12
"E" = 20.38 when "H" = 90.12

FLOOR-MOUNT • FREESTANDING • MODULAR SERIES ENCLOSURES DISCONNECT SPACE OCCUPIED & AVAILABLE WIRING SPACE INFORMATION

GENERAL ELECTRIC CIRCUIT BREAKERS WITH SPECTRA-FLEX™ CABLE OPERATORS†

Frame Size	Maximum Amp Rating	Circuit Breaker Height X	Circuit Breaker Width Y	Two Door Floor-Mount	Freestanding & Modular
E150	150A	6.31	4.12	For enclosures that accept these devices, (See pages G27-G28 & G44-G45)	For enclosures that accept these devices, (See pages G31-G48)
SE150	150A	6.31	4.12		
SF250	250A	10.12	4.12		
SG600	600A	10.09	5.5		

Frame Size	Breaker Mechanism	Flange Mounting Handle	Operating Cable*
E150	SCOM1A	SCH1	SC3L
SE150/SF250	SCOM1EF	SCH1	SC3L
SG600	SCOM1G	SCH1	SC3L
SK1200	SCOM1K	SCH2K	SC3H

*Operating cables are available in 3-foot to 10-foot lengths. (The number 3 in the catalog number denotes 3-foot cable.)

Space Occupied by Circuit Breaker

- The General Electric Spectra-Flex™ system allows the circuit breaker to be positioned independent from the flange-mounted handle mechanism.
- Refer to **National Electrical Code®** article 430-10(b) for wiring space "WB" required for line side conductors.
- Choose the length based on placement of the circuit breaker in the enclosure ensuring a 3-inch minimum bending radius for the cable.
- Space occupied by circuit breaker is determined by overall height "X", width "Y", wire bend space "WB" and location "G" as selected from right to left.

†For Two Door Floor-Mount NEMA 12 "E" = 7.88 when "H" = 60.12
(Pages G27-G28 & G44-G45) "E" = 13.38 when "H" = 72.12

For Heavy-Duty Freestanding and Modular Enclosures "E" = 11.88 when "H" = 72.12
(Pages G31 & G48) "E" = 17.38 when "H" = 84.12
"E" = 20.38 when "H" = 90.12

FLOOR-MOUNT • FREESTANDING • MODULAR SERIES ENCLOSURES DISCONNECT SPACE OCCUPIED & AVAILABLE WIRING SPACE INFORMATION

SIEMENS ITE MAX-FLEX™ DISCONNECT SWITCHES FOR MAX-FLEX™ OPERATORS†

Switch	Amp Rating	Fuse Clip	Fuse Class	Disconnect Height X	Disconnect Width Y	Two Door Floor-Mount	Freestanding & Modular
MCS603R	30A	No fuse	—	5.52	6.13		
MCS603R	30A	30A-250V	H, K, R	8.11	6.13		
MCS603R	30A	30A-600V	H, K, R	10.11	6.13		
MCS603R	30A	30A-600V	J	8.48	6.13		
MCS606R	60A	No fuse	—	5.52	6.13		
MCS606R	60A	60A-250V	H, K, R	7.86	6.13		
MCS606R	60A	60A-600V	H, K, R	10.38	6.13		
MCS606R	60A	60A-600V	J	8.36	6.13		
MCS610R	100A	No fuse	—	7.59	7.38		
MCS610R	100A	100A-250V	H, K, R	11.85	7.38		
MCS610R	100A	100A-600V	H, K, R	13.85	7.38		
MCS610R	100A	100A-600V	J	10.6	7.38		
MCS620R	200A	No fuse	—	9	9.17		
MCS620R	200A	200A-250V	H, K, R	14.7	9.17		
MCS620R	200A	200A-600V	H, K, R	17.2	9.17		
MCS620R	200A	200A-600V	J	13.32	9.17		

For enclosures that accept these devices, (See pages G27-G28 & G44-G45) For enclosures that accept these devices, (See pages G31-G48)

2 Door Floor-Mount NEMA 12, Heavy Duty Freestanding and Modular Enclosures, that are 24.00-inches deep, require a 48-inch Max-Flex™ cable (minimum cable length).

SIEMENS ITE MAX-FLEX™ CIRCUIT BREAKERS FOR MAX-FLEX™ OPERATORS†

Complete Operator Mechanism	Circuit Frame Size	Maximum Amp Rating	Circuit Breaker Height X	Circuit Breaker Height Y	Circuit Breaker Type
FHOE036	ED	125A	6.34	3	ED2, ED4, ED6, HED4, HED6
FHOE036	CED	125A	9.58	3	CED6
FHOF036	FD	250A	9.5	4.5	FXD6-A, FD6-A, HFD6, FXD6-ETJ, HHFD6, HHFXD6
FHOF036	CFD	250A	14.25	4.5	CFD6, CFD6-ETI
FHOJ036	JD	400A	11	7.5	JXD2, LXD6, JD6, HJD6, HHJD6, HHJXD6, JXD6-ETI
FHOJ036	CJD	400A	17.86	7.5	CJD6, CJD6-ETI
FHOJ036	LD	600A	11	7.5	LXD6, LD6, HLD6, HHLXD6, HHLXD6-ETI
FHOJ036	CLD	600A	17.86	7.5	CLD6, CLD6-ETI
FHOLM036	LMD	800A	16	9	LMD6, LMXD6, HLMXD6, HLMXD6-ETI
FHON048	MD	800A	24	9	MD6, MXD6, HMD6, HMXD6, CMD6, MXD6-ETI, CMD6-ETI
FHON048	ND	1200A	24	9	ND6, NXD6, HND6, HNXD6, CND6
FHON048*	PD	1600A	24.5	13.63	PD6, PXD6, HPD6, HPXD6, CPD6
FHON048*	RD	2000A	24.5	13.63	RD6, RXD6, HRD6, HRXD6

Mechanisms and circuit breakers listed above will fit any 2 Door Floor-Mount NEMA 12, Heavy-Duty Freestanding and Modular Enclosure.

Catalog numbers are for complete mechanisms which include flange-mounted handle, flexible operating cable, and circuit breaker operator. The last 3 digits indicate cable length in inches.

24" deep enclosures require longer operating cables. Order components separately.

*Circuit breakers size includes required base mounting block.

Space Occupied by Circuit Breaker

- The Siemens ITE Max-Flex™ cable system allows the disconnect to be positioned independent from the flange-mounted handle mechanism.
- Refer to National Electrical Code® article 430-10(b) for wiring space "WB" required for line side conductors.
- Refer to Siemens ITE Max-Flex™ installation instructions for limits on disconnect location when using 36" or 48" Max-Flex™ cables.
- Space occupied by disconnect is determined by overall height "X", width "Y", wire bend space "WB" and location "G" as selected from right to left.

†For Two Door Floor-Mount NEMA 12 (Pages G27-G28 & G44-G45) "E" = 7.88 when "H" = 60.12
"E" = 13.38 when "H" = 72.12
(Deduct 1.45 inches from "E" for FHON048 operator mechanism for MD, ND, PD, RD circuit breakers.)

For Heavy-Duty Freestanding and Modular Enclosures (Pages G31 & G48) "E" = 11.88 when "H" = 72.12
"E" = 17.38 when "H" = 84.12
"E" = 20.38 when "H" = 90.12
(Deduct 1.45 inches from "E" for FHON048 operator mechanism for MD, ND, PD, RD circuit breakers.)

**FLOOR-MOUNT • FREESTANDING • MODULAR SERIES ENCLOSURES
DISCONNECT SPACE OCCUPIED & AVAILABLE WIRING SPACE INFORMATION**

SCHNEIDER SQUARE D® CLASS 9422 VARIABLE DEPTH DISCONNECT SWITCHES†

Type Number	Amp Rating	Fuse Clip	Fuse Class	Space Occupied			Wire Bend Space "WB" Above Disconnect				
				F	G*	K	Two Door Floor-Mount (Pages G27-28 & G44-45)		Freestanding & Modular (Pages G31-G48)		
							When H= 60.12 WB	When H= 72.12 WB	When H= 72.12 WB	When H= 84.12 WB	When H= 90.12 WB
TCN-30	30A	No fuse	—	3.8	6.97	0.56	6.75	12.75	10.75	16.75	19.75
TCF-30	30A	30A-250V	H, K, R	5.53	6.97	0.56	6.75	12.75	10.75	16.75	19.75
TCF-33	30A	30A-600V	H, K, R	8.15	6.97	0.56	6.75	12.75	10.75	16.75	19.75
TCF-33	30A	60A-250V	H, K, R	6.15	6.97	0.56	6.75	12.75	10.75	16.75	19.75
TCF-33	30A	30A-600V	J	5.53	6.97	0.56	6.75	12.75	10.75	16.75	19.75
TDN-60	60A	No fuse	—	3.8	6.97	0.56	6.75	12.75	10.75	16.75	19.75
TDF-60	60A	30A-600V	H, K, R	8.15	6.97	0.56	6.75	12.75	10.75	16.75	19.75
TDF-60	60A	60A-250V	H, K, R	6.15	6.97	0.56	6.75	12.75	10.75	16.75	19.75
TDF-63	60A	60A-600V	H, K, R	8.65	6.97	0.56	6.75	12.75	10.75	16.75	19.75
TDF-63	60A	60A-600V	J	5.53	6.97	0.56	6.75	12.75	10.75	16.75	19.75
TEN-10	100A	No fuse	—	3.8	6.97	0.56	6.62	12.62	10.62	16.62	19.62
TEF-10	100A	100A-250V	H, K, R	8.25	6.97	0.56	6.62	12.62	10.62	16.62	19.62
TEF-10	100A	100A-600V	H, K, R	10.25	6.97	0.56	6.62	12.62	10.62	16.62	19.62
TEF-10	100A	100A-600V	J	7.05	6.97	0.56	6.62	12.62	10.62	16.62	19.62
TEF-13	100A	200A-600V	J	—	—	0.56	6.62	12.62	10.62	16.62	19.62
TC-1	30A	No fuse	—	5.75	6.12	0.56	5.88	11.88	9.88	15.88	18.88
TC-2	30A	30A-250V	H, K, R	5.75	6.12	0.56	5.88	11.88	9.88	15.88	18.88
TC-3	30A	30A-600V	H, K, R	7.75	6.12	0.56	5.88	11.88	9.88	15.88	18.88
TC-3	30A	60A-250V	H, K, R	5.88	6.12	0.56	5.88	11.88	9.88	15.88	18.88
TC-3	30A	30A-600V	J	5.75	6.12	0.56	5.88	11.88	9.88	15.88	18.88
TD-1	60A	No fuse	—	6.38	6.75	0.56	6.75	12.75	10.75	16.75	19.75
TD-2	60A	30A-600V	H, K, R	8.5	6.75	0.56	6.75	12.75	10.75	16.75	19.75
TD-2	60A	60A-250V	H, K, R	6.5	6.75	0.56	6.75	12.75	10.75	16.75	19.75
TD-3	60A	60A-600V	H, K, R	9	6.75	0.56	6.75	12.75	10.75	16.75	19.75
TD-3	60A	60A-600V	J	6.38	6.75	0.56	6.75	12.75	10.75	16.75	19.75
TE-1	100A	No fuse	—	4.75	8.5	0.56	6.5	12.5	10.5	16.5	19.5
TE-2	100A	100A-250V	H, K, R	7.5	8.5	0.56	6.5	12.5	10.5	16.5	19.5
TE-2	100A	100A-600V	H, K, R	9.5	8.5	0.56	6.5	12.5	10.5	16.5	19.5
TE-2	100A	100A-600V	J	6.25	8.5	0.56	6.5	12.5	10.5	16.5	19.5
TE-3	100A	200A-600V	J	13.75	8.5	0.56	6.5	12.5	10.5	16.5	19.5
TF-1	200A	No fuse	—	5.5	11.75	0.56	5.12	11.12	9.12	15.12	18.12
TF-2	200A	200A-250V	H, K, R	11.5	11.75	0.56	5.12	11.12	9.12	15.12	18.12
TF-2	200A	200A-600V	H, K, R	14	11.75	0.56	5.12	11.12	9.12	15.12	18.12
TF-2	200A	200A-600V	J	10.12	11.75	0.56	5.12	11.12	9.12	15.12	18.12
TF-3	200A	400A-600V	J	14.5	11.75	0.56	5.12	11.12	9.12	15.12	18.12

†For Two Door Floor-Mount NEMA 12 (Pages G27-G28 & G44-G45)

"E" = 7.88 when "H" = 60.12
"E" = 13.38 when "H" = 72.12

For Heavy-Duty Freestanding and Modular Enclosures (Pages G31 & G48)

"E" = 11.88 when "H" = 72.12
"E" = 17.38 when "H" = 84.12
"E" = 20.38 when "H" = 90.12

FLOOR-MOUNT • FREESTANDING • MODULAR SERIES ENCLOSURES DISCONNECT SPACE OCCUPIED & AVAILABLE WIRING SPACE INFORMATION

SCHNEIDER SQUARE D® CLASS 9422 VARIABLE DEPTH OPERATOR CIRCUIT BREAKERS†

Type Number	Amp Rating	Fuse Clip	Fuse Class	Wire Bend Space "WB" Above Disconnect							
				Space Occupied			Two Door Floor-Mount (Pages G27-28 & G44-45)		Freestanding & Modular (Pages G31-G48)		
				F	G*	K	When H= 60.12 WB	When H= 72.12 WB	When H= 72.12 WB	When H= 84.12 WB	When H= 90.12 WB
RG-1	75A	GJL	3.53	3.87	0.56	6.69	12.69	10.69	16.69	19.69	19.75
RG-1	100A	GJL	3.53	3.87	0.56	6.69	12.69	10.69	16.69	19.69	19.75
RN-1	100A	FAL, FHL	5.12	5.38	0.56	6.88	12.88	10.88	16.88	19.88	19.75
RP-1	250A	KAL, KHL	7.12	5.75	0.56	7.56	13.06	11.56	17.56	20.56	19.75
RR-1	400A	LAL,LHL,Q4L	7.62	8.88	0.56	—	9.25	—	13.25	16.25	19.75
RT-1	800A	MEL, MXL	9.12	12	0.56	—	—	—	13.25	16.25	19.75
RT-1	1000A	MAL, MHL	9.12	12	0.56	—	—	—	13.25	16.25	19.75

SCHNEIDER SQUARE D® CLASS 9422 DISCONNECT SWITCHES USED WITH CABLE MECHANISM 9422-CFT30 AND 9422-A1 HANDLE MECHANISM

Switch	Amp Rating	Fuse Clip	Fuse Class	Disconnect Height X	Disconnect Width Y	Two Door Floor-Mount	Freestanding & Modular
TCN-30C	30A	No fuse	—	5.9	6.2		
TCF-30C	30A	30A-250V	H, K, R	7.5	6.2		
TCF-33C	30A	30A-600V	H, K, R	10.15	6.2		
TCF-33C	30A	60A-250V	H, K, R	8.15	6.2		
TCF-33C	30A	30A-600V	J	7.5	6.2		
TDN-60C	60A	No fuse	—	5.9	6.2		
TDF-60C	60A	30A-600V	H, K, R	10.15	6.2	For enclosures that accept these devices, (See pages G27-G28 & G44-G45)	For enclosures that accept these devices, (See pages G31-G48)
TDF-60C	60A	60A-250V	H, K, R	8.15	6.2		
TDF-63C	60A	60A-600V	H, K, R	10.65	6.2		
TDF-63C	60A	60A-600V	J	7.5	6.2		
TEN-10C	100A	No fuse	—	5.9	6.2		
TEF-10C	100A	100A-250V	H, K, R	10.35	6.2		
TEF-10C	100A	100A-600V	H, K, R	10.35	6.2		
TEF-10C	100A	100A-600V	J	10.35	6.2		

Use switches listed above with appropriate cable mechanism and 9422-A1 handle mechanism. Cable operators are available in 3-foot, 5-foot, and 10-foot lengths. Numbers shown (30) are for 3-foot cables.

SCHNEIDER SQUARE D® CLASS 9422 CABLE MECHANISM FOR CIRCUIT BREAKERS

Cable Type Switch	Circuit B Amp Rating	Circuit B Frame Type	Circuit Breaker Height X	Circuit Breaker Height Y	Two Door Floor-Mount	Freestanding & Modular
9422 CGJ30	75A	GJL	4.75	3.5		
9422 CGJ30	100A	GJL	4.75	3.5		
9422 CFA30	100A	FAJ, FHL	6	4.5	For enclosures that accept these devices, (See pages G27-G28 & G44-G45)	For enclosures that accept these devices, (See pages G31-G48)
9422 CKA30	250A	KAL, KHL	8	4.5		
9422 CLA30	400A	LAL, LHL, Q4L	11	6		

Use cable mechanism with appropriate circuit breaker and 9422-A1 handle mechanism. Cable operators are available in 3-foot, 5-foot, and 10-foot lengths. Numbers shown (30) are for 3-foot cables.

Space Occupied by Disconnect Switch or Circuit Breaker

- Schneider Square D® cable mechanisms allows disconnect devices to be positioned independent from the flange-mounted handle mechanism.
- Refer to National Electrical Code® article 430-10(b) for wiring space "WB" required for line side conductors.
- Choose cable mechanism length based on placement of disconnect in enclosure. See Schneider Square D® instruction Bulletin for minimum bend radius for cable.
- Space occupied by disconnect is determined by overall height "X", width "Y", wire bend space "WB" and location "G" as selected from right to left.

†For Two Door Floor-Mount NEMA 12
(Pages G27-G28 & G44-G45)

"E" = 7.88 when "H" = 60.12
"E" = 13.38 when "H" = 72.12

For Heavy-Duty Freestanding
and Modular Enclosures
(Pages G31 & G48)

"E" = 11.88 when "H" = 72.12
"E" = 17.38 when "H" = 84.12
"E" = 20.38 when "H" = 90.12



WA21ABA



WA22BAP

FEATURES-SPECIFICATIONS

OPERATOR ADAPTER PLATES

- Used on all disconnect enclosures with universal flange cutouts
- An operator adapter plate is required to install a disconnect in all enclosures with a universal cutout on pages G27-G48.
- Operator adapters include an adapter plate and additional parts used to interlock the master door with the disconnect operating mechanism. Panel drilling and installation instructions are furnished with each adapter
- Each brand and type of disconnect requires a different operator adapter. It is important to select the proper operator adapter and enclosure for the disconnect that you have selected

BLANK ADAPTER PLATES

- Used to cover flange cutouts in disconnect enclosures when disconnects are not installed. This greatly increases the versatility of the disconnect enclosures, enabling them to also be used as a regular NEMA 12 enclosure
- Blank adapter plates are made from heavy gauge steel, with a oil-resistant gasket to maintain the dust-tight and oil-tight qualities of the enclosure
- All blank adapter plates are painted ANSI 61 gray polyester powder
- All necessary mounting hardware and instructions are included

OPERATOR ADAPTER PLATES

Catalog Number	Type of Operator Adapter
WA21ABA	Allen-Bradley 1494F and 1494D
WA21ABVA	Allen-Bradley 1494V, 140U, 1494C, 194RC
WA21CHVA	Eaton Cutler-Hammer C361, C371 and C371 Flex Shaft™
WA21CHVA	ABB Controls Variable Depth, S1, S2, T5 cable size
WA21FUFA	Fuji
WA21GETDA	General Electric STDA
WA21ITE	Siemens ITE Max-Flex™, ABB Controls Cable S3-S5, S6, S7
WA21SDA	Schneider Square D® Class 9422, (variable depth and cable mechanism)
WA21WHA	Eaton Cutler-Hammer/WestinghouseSM

BLANK ADAPTER PLATES

Catalog Number	Type of Operator Adapter
WA21BAP	Blank adapter for universal cutouts on pages G27- G48
WA22BAP	Blank adapter for enclosures on page G24
WA3456BAP	Blank adapter for single door wall-mount enclosures on pages G2- G13.

Section H Index

HS/S Series

NEMA 1 Hinge Cover/Screw cover
Wireway H2

LJW Series

NEMA 12 Lay-In Wireway H8

JW Series

NEMA 12 Feed-Through Wireway H12

SSJW Series

NEMA 12 Stainless Feed-Through
Wireway H16

RSCG Series

NEMA 3R Wiring Trough..... H18

T-CH Series

NEMA 12 Hinge-Cover Wiring Trough.... H20

WIREWAYS & FITTINGS



HS & S SERIES WIREWAY NEMA 1 WIREWAY & FITTINGS



HS442

S4424

Industry Standards
UL 870
NEMA/EEMAC Type 1

UL Files E32576

CSA File LL66078

FEATURES-SPECIFICATIONS

Applications

Designed to protect electrical wiring in applications where dirt, dust, oil and water are not a serious problem. All sections are open on one side so wires and cable can be laid in along an entire wireway run.

A complete selection of sections and fittings is offered in five sizes:

- 2.50" x 2.50" (64 x 64)
- 4.00" x 4.00" (102 x 102)
- 6.00" x 6.00" (152 x 152)
- 8.00" x 8.00" (203 x 203)
- 10.00" x 10.00" (255 x 255)
- 12.00" x 12.00" (305 x 305)

Construction

- Bodies and covers are fabricated from carbon steel or pre-galvanized steel
- Available with or without knockouts in all sizes except the 12.00" x 12.00" (305 x 305) which are available with out knockouts only (See reference table)
- HS Series combination hinge/screw cover design offers easy access to open top for "lay-in" of wiring. Screws do not need to be removed to open top

- S Series screw cover is held firmly in place with screws
- Straight sections with knockouts are provided on side walls of wireways

Finish

- ANSI 61 gray polyester powder inside and out
- Pre-galvanized steel

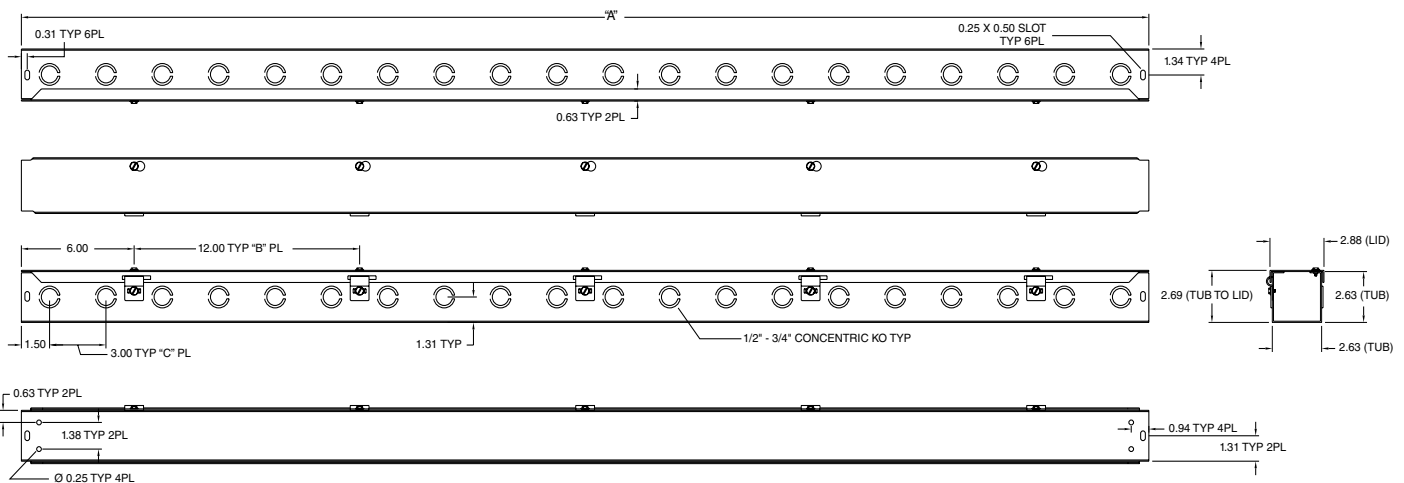
HS & S SERIES WIREWAYS (STRAIGHT SECTIONS)

Catalog Number											
2.50 x 2.50 (64 x 64)		4.00 x 4.00 (102 x 102)		6.00 x 6.00 (152 x 152)		8.00 x 8.00 (203 x 203)		10.00 x 10.00 (254 x 254)		12.00 x 12.00 (305 x 305)	Length
With Knockouts	Without Knockouts	With Knockouts	Without Knockouts	With Knockouts	Without Knockouts	With Knockouts	Without Knockouts	With Knockouts	Without Knockouts	Without Knockouts	
HINGE COVER											
HS221	HS221NK	HS441	HS441NK	HS661	HS661NK	HS881	HS881NK	HS10101	HS10101NK	HS12121NK	12.00" (305)
HS222	HS222NK	HS442	HS442NK	HS662	HS662NK	HS882	HS882NK	HS10102	HS10102NK	HS12122NK	24.00" (610)
HS223	HS223NK	HS443	HS443NK	HS663	HS663NK	HS883	HS883NK	HS10103	HS10103NK	HS12123NK	36.00" (914)
HS224	HS224NK	HS444	HS444NK	HS664	HS664NK	HS884	HS884NK	HS10104	HS10104NK	HS12124NK	48.00" (1219)
HS225	HS225NK	HS445	HS445NK	HS665	HS665NK	HS885	HS885NK	HS10105	HS10105NK	HS12125NK	60.00" (1524)
HS226	HS226NK	HS446	HS446NK	HS666	HS666NK	HS886	HS886NK	HS10106	HS10106NK	HS12126NK	72.00" (1829)
HS228	HS228NK	HS448	HS448NK	HS668	HS668NK	HS888	HS888NK	HS10108	HS10108NK	HS12128NK	96.00" (2438)
HS2210	HS2210NK	HS4410	HS4410NK	HS6610	HS6610NK	HS8810	HS8810NK	HS101010	HS101010NK	HS121210NK	120.00" (3048)
SCREW COVER											
S2206	S2206NK	S4406	S4406NK	S6606	S6606NK	S8806	S8806NK	—	—	—	6.00" (152)
S2212	S2212NK	S4412	S4412NK	S6612	S6612NK	S8812	S8812NK	S101012	S101012NK	S121212NK	12.00" (305)
S2218	S2218NK	S4418	S4418NK	S6618	S6618NK	S8818	S8818NK	—	—	—	18.00" (457)
S2224	S2224NK	S4424	S4424NK	S6624	S6624NK	S8824	S8824NK	S101024	S101024NK	S121224NK	24.00" (610)
S2236	S2236NK	S4436	S4436NK	S6636	S6636NK	S8836	S8836NK	S101036	S101036NK	S121236NK	36.00" (914)
S2248	S2248NK	S4448	S4448NK	S6648	S6648NK	S8848	S8848NK	S101048	S101048NK	S121248NK	48.00" (1219)
S2260	S2260NK	S4460	S4460NK	S6660	S6660NK	S8860	S8860NK	S101060	S101060NK	S121260NK	60.00" (1524)
S2272	S2272NK	S4472	S4472NK	S6672	S6672NK	S8872	S8872NK	S101072	S101072NK	S121272NK	72.00" (1829)
S2296	S2296NK	S4496	S4496NK	S6696	S6696NK	S8896	S8896NK	S101096	S101096NK	S121296NK	96.00" (2438)
S22120	S22120NK	S44120	S44120NK	S66120	S66120NK	S88120	S88120NK	S1010120	S1010120NK	S1212120NK	120.00" (3048)
SCREW COVER - GALVANIZED											
S2212G	S2212GNK	S4412G	S4412GNK	S6612G	S6612GNK	S8812G	S8812GNK	S101012G	S101012GNK	S121212GNK	12.00" (305)
S2224G	S2224GNK	S4424G	S4424GNK	S6624G	S6624GNK	S8824G	S8824GNK	S101024G	S101024GNK	S121224GNK	24.00" (610)
S2236G	S2236GNK	S4436G	S4436GNK	S6636G	S6636GNK	S8836G	S8836GNK	S101036G	S101036GNK	S121236GNK	36.00" (914)
S2248G	S2248GNK	S4448G	S4448GNK	S6648G	S6648GNK	S8848G	S8848GNK	S101048G	S101048GNK	S121248GNK	48.00" (1219)
S2260G	S2260GNK	S4460G	S4460GNK	S6660G	S6660GNK	S8860G	S8860GNK	S101060G	S101060GNK	S121260GNK	60.00" (1524)
S2272G	S2272GNK	S4472G	S4472GNK	S6672G	S6672GNK	S8872G	S8872GNK	S101072G	S101072GNK	S121272GNK	72.00" (1829)
S2296G	S2296GNK	S4496G	S4496GNK	S6696G	S6696GNK	S8896G	S8896GNK	S101096G	S101096GNK	S121296GNK	96.00" (2438)
S22120G	S22120GNK	S44120G	S44120GNK	S66120G	S66120GNK	S88120G	S88120GNK	S1010120G	S1010120GNK	S1212120GNK	120.00" (3048)

HS & S SERIES WIREWAY ACCESSORIES

Catalog Number							Description
2.50 x 2.50 (64 x 64)	4.00 x 4.00 (102 x 102)	6.00 x 6.00 (152 x 152)	8.00 x 8.00 (203 x 203)	10.00 x 10.00* (254 x 254)	12.00 x 12.00** (305 x 305)		
E0202	E0404	E0606	E0808	—	—	End caps (with knockouts)	
E0202NK	E0404NK	E0606NK	E0808NK	E1010NK	E1212NK	End caps (without knockouts)	
T0202	T0404	T0606	T0808	T1010	T1212	Tee	
X0202	X0404	X0606	X0808	X1010	X1212	Cross	
AF0202	AF0404	AF0606	AF0808	AF1010	AF1212	Telescope	
C0202	C0404	C0606	C0808	C1010	C1212	Connectors	
PA0202	PA0404	PA0606	PA0808	PA1010	PA1212	Panel-Adapter	
BH0202	BH0404	BH0606	BH0808	BH1010	BH1212	Bracket Hanger	
—	R0402	R0604	R0806	R1008	R1208	Reducer	
SL020290	SL040490	SL060690	SL080890	SL101090	SL121290	Sweep Elbow – 90°	
L020290	L040490	L060690	L080890	L101090	L121290	Elbow – 90°	
L020245	L040445	L060645	L080845	L101045	L121245	Elbow – 45°	
S SERIES ACCESSORIES (GALVANIZED)							
—	E0404G	E0606G	E0808G	—	—	End caps (with knockouts)	
E0202GNK	—	—	—	E1010GNK	E1212GNK	End caps (without knockouts)	
T0202G	T0404G	T0606G	T0808G	T1010G	T1212G	Galvanized Tee	
X0202G	X0404G	X0606G	X0808G	X1010G	X1212G	Galvanized Cross	
AF0202G	AF0404G	AF0606G	AF0808G	AF1010G	AF1212G	Galvanized Telescope	
C0202G	C0404G	C0606G	C0808G	C1010G	C1212G	Galvanized Connectors	
PA0202G	PA0404G	PA0606G	PA0808G	PA1010G	PA1212G	Galvanized Panel-Adapter	
BH0202G	BH0404G	BH0606G	BH0808G	BH1010G	BH1212G	Galvanized Bracket Hanger	
—	R0402G	R0604G	R0806G	R1008G	R1208G	Galvanized Reducer	
SL020290G	SL040490G	SL060690G	SL080890G	SL101090G	SL121290G	Galvanized Sweep Elbow – 90°	
L020290G	L040490G	L060690G	L080890G	L101090G	L121290G	Galvanized Elbow – 90°	
L020245G	L040445G	L060645G	L080845G	L101045G	L121245G	Galvanized Elbow – 45°	

NK = No Knockouts

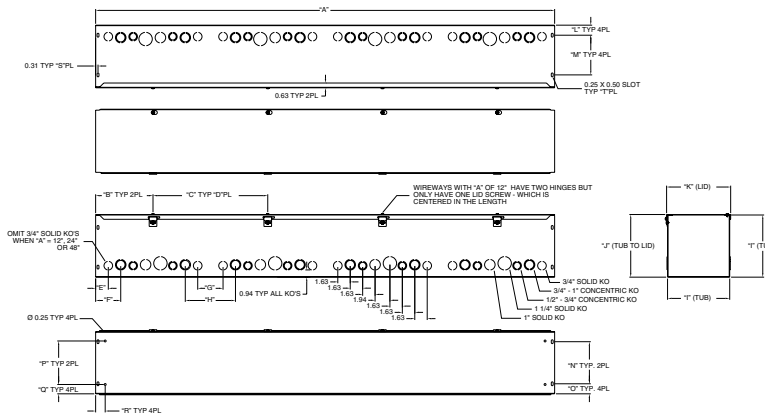


HS SERIES 2" STRAIGHT SECTION DIMENSIONS

HS SERIES 4", 6", 8", 10" AND 12" STRAIGHT SECTION DIMENSIONS

Catalog Number	A	B	C	D	E	F	G	H
HS441 & HS441NK	4.12 (103)	2.44 (61)	—	—	2.06 (52)	2.69 (67)	.72 (18)	.94 (24)
HS442 & HS442NK	4.12 (103)	2.44 (61)	—	—	2.06 (52)	2.69 (67)	.72 (18)	.94 (24)
HS443 & HS443NK	4.12 (103)	2.44 (61)	—	—	2.06 (52)	2.69 (67)	.72 (18)	.94 (24)
HS444 & HS444NK	4.12 (103)	2.44 (61)	—	—	2.06 (52)	2.69 (67)	.72 (18)	.94 (24)
HS445 & HS445NK	4.12 (103)	2.44 (61)	—	—	2.06 (52)	2.69 (67)	.72 (18)	.94 (24)
HS446 & HS446NK	4.12 (103)	2.44 (61)	—	—	2.06 (52)	2.69 (67)	.72 (18)	.94 (24)
HS4410 & HS4410NK	4.12 (103)	2.44 (61)	—	—	2.06 (52)	2.69 (67)	.72 (18)	.94 (24)
HS661 & HS661NK	6.12 (153)	1.34 (34)	3.53 (88)	3.56 (89)	1.28 (52)	3.75 (67)	1.19 (18)	1.12 (24)
HS662 & HS662NK	6.12 (153)	1.34 (34)	3.53 (88)	3.56 (89)	1.28 (52)	3.75 (67)	1.19 (18)	1.12 (24)
HS663 & HS663NK	6.12 (153)	1.34 (34)	3.53 (88)	3.56 (89)	1.28 (52)	3.75 (67)	1.19 (18)	1.12 (24)
HS664 & HS664NK	6.12 (153)	1.34 (34)	3.53 (88)	3.56 (89)	1.28 (52)	3.75 (67)	1.19 (18)	1.12 (24)
HS665 & HS665NK	6.12 (153)	1.34 (34)	3.53 (88)	3.56 (89)	1.28 (52)	3.75 (67)	1.19 (18)	1.12 (24)
HS666 & HS666NK	6.12 (153)	1.34 (34)	3.53 (88)	3.56 (89)	1.28 (52)	3.75 (67)	1.19 (18)	1.12 (24)
HS6610 & HS6610NK	6.12 (153)	1.34 (34)	3.53 (88)	3.56 (89)	1.28 (52)	3.75 (67)	1.19 (18)	1.12 (24)
HS881 & HS881NK	8.12 (203)	1.31 (33)	5.19 (88)	5.50 (89)	1.31 (33)	1.69 (43)	1.19 (18)	1.25 (24)
HS882 & HS882NK	8.12 (203)	1.31 (33)	5.19 (88)	5.50 (89)	1.31 (33)	1.69 (67)	1.19 (18)	1.25 (24))
HS883 & HS883NK	8.12 (203)	1.31 (33)	5.19 (88)	5.50 (89)	1.31 (33)	1.69 (67)	1.19 (18)	1.25 (24)
HS884 & HS884NK	8.12 (203)	1.31 (33)	5.19 (88)	5.50 (89)	1.31 (33)	1.69 (67)	1.19 (18)	1.25 (24)
HS885 & HS885NK	8.12 (203)	1.31 (33)	5.19 (88)	5.50 (89)	1.31 (33)	1.69 (67)	1.19 (18)	1.25 (24)
HS886 & HS886NK	8.12 (203)	1.31 (33)	5.19 (88)	5.50 (89)	1.31 (33)	1.69 (67)	1.22 (18)	1.25 (24)
HS8810 & HS8810NK	8.12 (203)	1.31 (33)	5.19 (88)	5.50 (89)	1.31 (33)	1.69 (67)	1.22 (18)	1.25 (24)
HS10101 & HS10101NK	10.12 (257)	1.25 (24)	7.25 (184)	6.43 (163)	1.84 (47)	7.25 (184)	1.43 (36)	1.25 (24)
HS10102 & HS10102NK	10.12 (257)	1.25 (24)	7.25 (184)	6.43 (163)	1.84 (47)	7.25 (184)	1.43 (36)	1.25 (24)
HS10103 & HS10103NK	10.12 (257)	1.25 (24)	7.25 (184)	6.43 (163)	1.84 (47)	7.25 (184)	1.43 (36)	1.25 (24)
HS10104 & HS10104NK	10.12 (257)	1.25 (24)	7.25 (184)	6.43 (163)	1.84 (47)	7.25 (184)	1.43 (36)	1.25 (24)
HS10105 & HS10105NK	10.12 (257)	1.25 (24)	7.25 (184)	6.43 (163)	1.84 (47)	7.25 (184)	1.43 (36)	1.25 (24)
HS10106 & HS10106NK	10.12 (257)	1.25 (24)	7.25 (184)	6.43 (163)	1.84 (47)	7.25 (184)	1.43 (36)	1.25 (24)
HS101010 & HS101010NK	10.12 (257)	1.25 (24)	7.25 (184)	6.43 (163)	1.84 (47)	7.25 (184)	1.43 (36)	1.25 (24)
HS12121NK	12.12 (307)	1.31 (33)	9.56 (242)	3.63 (92)	4.25 (107)	9.25 (234)	1.43 (36)	1.25 (24)
HS12122NK	12.12 (307)	1.31 (33)	9.56 (242)	3.63 (92)	4.25 (107)	9.25 (234)	1.43 (36)	1.25 (24)
HS12123NK	12.12 (307)	1.31 (33)	9.56 (242)	3.63 (92)	4.25 (107)	9.25 (234)	1.43 (36)	1.25 (24)
HS12124NK	12.12 (307)	1.31 (33)	9.56 (242)	3.63 (92)	4.25 (107)	9.25 (234)	1.43 (36)	1.25 (24)
HS12125NK	12.12 (307)	1.31 (33)	9.56 (242)	3.63 (92)	4.25 (107)	9.25 (234)	1.43 (36)	1.25 (24)
HS12126NK	12.12 (307)	1.31 (33)	9.56 (242)	3.63 (92)	4.25 (107)	9.25 (234)	1.43 (36)	1.25 (24)
HS121210NK	12.12 (307)	1.31 (33)	9.56 (242)	3.63 (92)	4.25 (107)	9.25 (234)	1.43 (36)	1.25 (24)

NK = No Knockouts

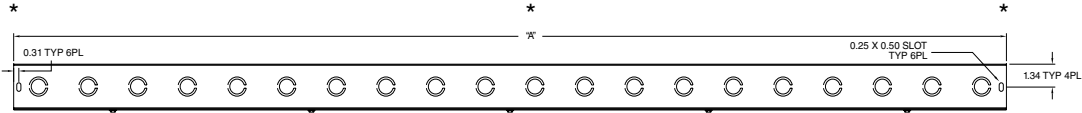


**HS SERIES 4", 6", 8",
10" AND 12" STRAIGHT
SECTION DIMENSIONS**

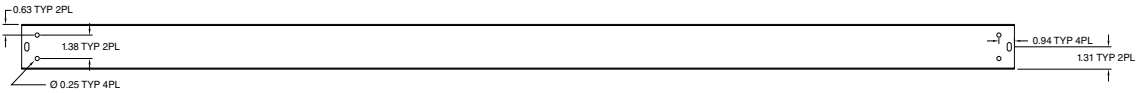
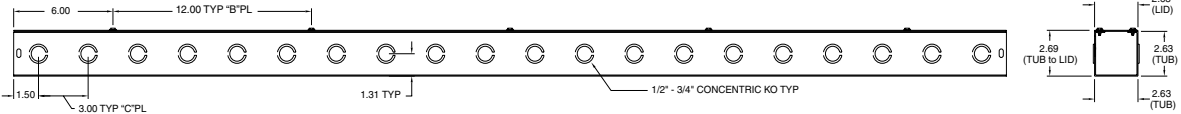
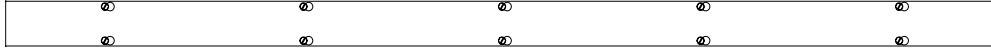
S SERIES 4", 6", 8", 10" AND 12" STRAIGHT SECTION DIMENSIONS

Catalog Number	A	B	C	D	E	F	G	H
S4412, S4412G, S4412NK & S4412GNK	4.12 (103)	2.44 (61)	—	—	2.06 (52)	2.69 (67)	.72 (18)	.94 (24)
S4424, S4424G, S4424NK & S4424GNK	4.12 (103)	2.44 (61)	—	—	2.06 (52)	2.69 (67)	.72 (18)	.94 (24)
S4436, S4436G, S4436NK & S4436GNK	4.12 (103)	2.44 (61)	—	—	2.06 (52)	2.69 (67)	.72 (18)	.94 (24)
S4448, S4448G, S4448NK & S4448GNK	4.12 (103)	2.44 (61)	—	—	2.06 (52)	2.69 (67)	.72 (18)	.94 (24)
S4460, S4460G, S4460NK & S4460GNK	4.12 (103)	2.44 (61)	—	—	2.06 (52)	2.69 (67)	.72 (18)	.94 (24)
S4472, S4472G, S4472NK & S4472GNK	4.12 (103)	2.44 (61)	—	—	2.06 (52)	2.69 (67)	.72 (18)	.94 (24)
S44120, S44120G, S44120NK & S44120GNK	4.12 (103)	2.44 (61)	—	—	2.06 (52)	2.69 (67)	.72 (18)	.94 (24)
S6612, S6612G, S6612NK & S6612GNK	6.12 (153)	1.34 (34)	3.53 (88)	3.56 (89)	1.28 (52)	3.75 (67)	1.19 (18)	1.12 (24)
S6624, S6624G, S6624NK & S6624GNK	6.12 (153)	1.34 (34)	3.53 (88)	3.56 (89)	1.28 (52)	3.75 (67)	1.19 (18)	1.12 (24)
S6636, S6636G, S6636NK & S6636GNK	6.12 (153)	1.34 (34)	3.53 (88)	3.56 (89)	1.28 (52)	3.75 (67)	1.19 (18)	1.12 (24)
S6648, S6648G, S6648NK & S6648GNK	6.12 (153)	1.34 (34)	3.53 (88)	3.56 (89)	1.28 (52)	3.75 (67)	1.19 (18)	1.12 (24)
S6660, S6660G, S6660NK & S6660GNK	6.12 (153)	1.34 (34)	3.53 (88)	3.56 (89)	1.28 (52)	3.75 (67)	1.19 (18)	1.12 (24)
S6672, S6672G, S6672NK & S6672GNK	6.12 (153)	1.34 (34)	3.53 (88)	3.56 (89)	1.28 (52)	3.75 (67)	1.19 (18)	1.12 (24)
S88120, S88120G, S88120NK & S88120GNK	6.12 (153)	1.34 (34)	3.53 (88)	3.56 (89)	1.28 (52)	3.75 (67)	1.19 (18)	1.12 (24)
S8812, S8812G, S8812NK & S8812GNK	8.12 (203)	1.31 (34)	5.19 (88)	5.50 (89)	1.31 (52)	1.69 (67)	1.22 (18)	1.25 (24)
S8824, S8824G, S8824NK & S8824GNK	8.12 (203)	1.31 (34)	5.19 (88)	5.50 (89)	1.31 (52)	1.69 (67)	1.22 (18)	1.25 (24)
S8836, S8836G, S8836NK & S8836GNK	8.12 (203)	1.31 (34)	5.19 (88)	5.50 (89)	1.31 (52)	1.69 (67)	1.22 (18)	1.25 (24)
S8848, S8848G, S8848NK & S8848GNK	8.12 (203)	1.31 (34)	5.19 (88)	5.50 (89)	1.31 (52)	1.69 (67)	1.22 (18)	1.25 (24)
S8860, S8860G, S8860NK & S8860GNK	8.12 (203)	1.31 (34)	5.19 (88)	5.50 (89)	1.31 (52)	1.69 (67)	1.22 (18)	1.25 (24)
S8872, S8872G, S8872NK & S8872GNK	8.12 (203)	1.31 (34)	5.19 (88)	5.50 (89)	1.31 (52)	1.69 (67)	1.22 (18)	1.25 (24)
S88120, S88120G, S88120NK & S88120GNK	8.12 (203)	1.31 (34)	5.19 (88)	5.50 (89)	1.31 (52)	1.69 (67)	1.22 (18)	1.25 (24)

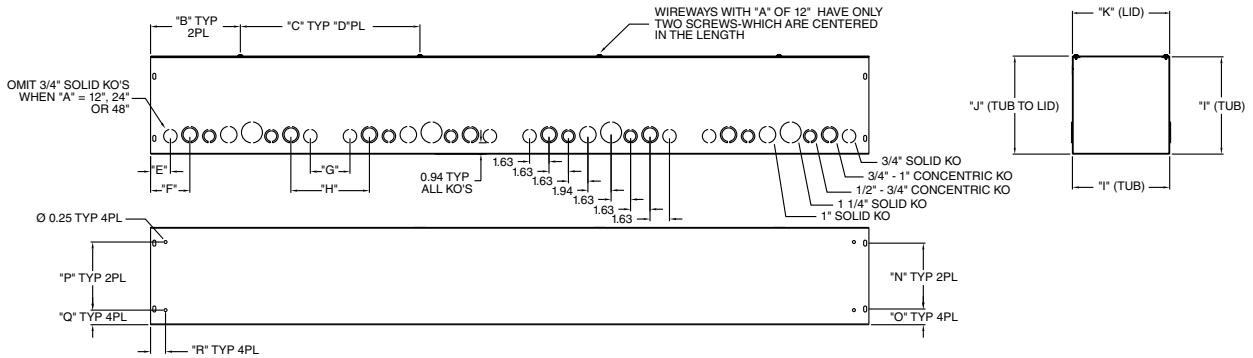
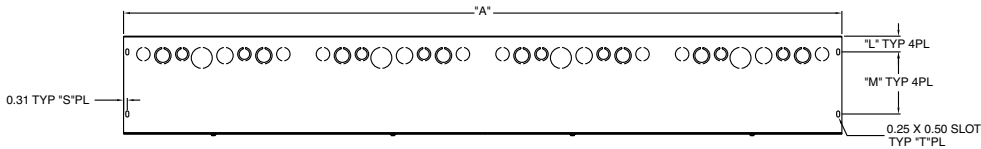
HS & S SERIES WIREWAY NEMA 1 WIREWAY & FITTINGS



* Factory suggestions for Mounting Bracket Hangers on 10' sections.



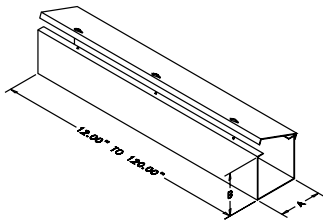
S SERIES 2" STRAIGHT SECTION DIMENSIONS



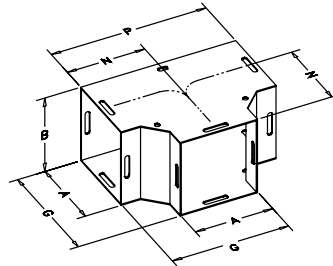
S SERIES 4", 6", 8" 10" AND 12" STRAIGHT SECTION DIMENSIONS

HS & S SERIES ACCESSORIES DIMENSIONS

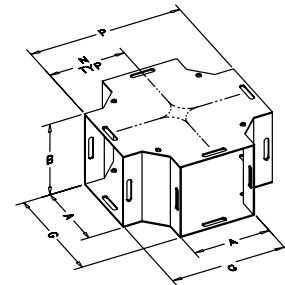
AxB	G	H	J	K	L	M	N	O	P	Q
2.50x2.50 (64x64)	4.5 (114)	2.75 (70)	7.91(201)	7.75 (197)	4.63 (117)	3.31 (84)	3.25 (83)	3.75 (95)	6.5 (165)	—
4.00x4.00 (102x102)	6.00 (152)	3.38 (86)	9.41 (239)	10.75 (273)	6.13 (153)	4.06 (103)	4.00 (102)	5.25 (133)	8.00 (203)	—
6.00x6.00 (152x152)	8.00 (152)	4.25 (108)	11.34 (288)	14.75 (375)	8.13 (206)	3.28 (83)	5.00 (127)	7.25 (184)	10.00 (254)	6.84 (174)
8.00x8.00 (203x203)	10.00 (254)	5.06 (129)	13.44 (341)	18.75 (476)	10.13 (257)	3.28 (83)	6.00 (152)	9.25 (235)	12.00 (305)	8.84 (225)
10.00x10.00 (254x254)	12.00 (305)	5.06 (129)	13.44 (341)	18.75 (476)	10.13 (257)	3.28 (83)	6.00 (152)	9.25 (235)	12.00 (305)	8.84 (225)
12.00x12.00 (305x305)	5.89 (150)	6.75 (171)	17.44 (443)	25.75 (654)	14.13 (359)	—	8.00 (203)	13.25 (337)	16.00 (406)	—



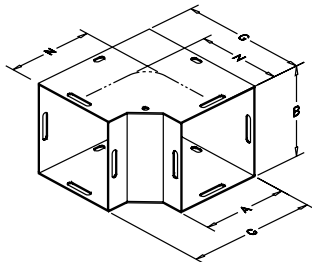
Straight Section



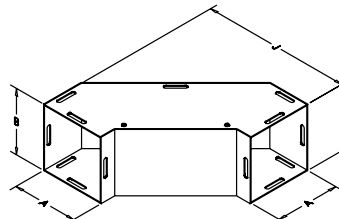
Tee



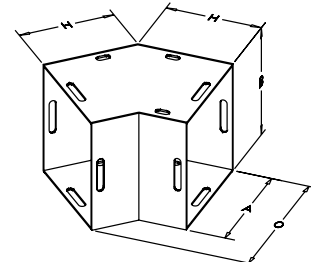
Cross



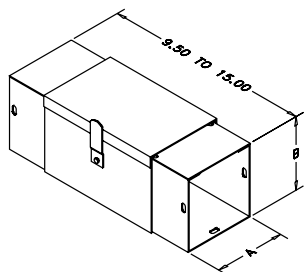
90° Elbow



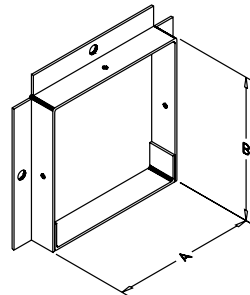
Sweep Elbow



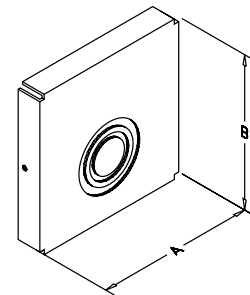
45° Elbow



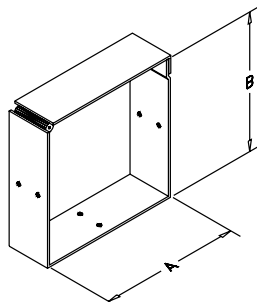
Telescope Fitting



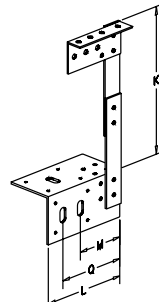
Panel Adapter



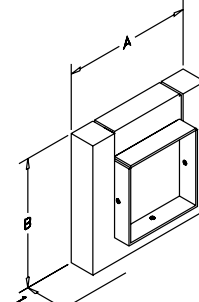
End Cap



Connector



Combination Hanger



Reducer



LJW24

Industry Standards

UL 870
NEMA Type 12

 UL Files E32576

 CSA File LL66078

FEATURES-SPECIFICATIONS

Applications

Designed to protect electrical wiring from dirt, dust, oil, and water. All straight sections and fittings feature an open-top design for easy “lay-in” of wiring. No “pulling through” of wires and cables is required with this design.

A complete selection of straight sections and fittings are offered in five sizes (H x W):

- 2.50" x 2.50" (64 x 64)
- 4.00" x 4.00" (102 x 102)
- 6.00" x 6.00" (152 x 152)
- 8.00" x 8.00" (203 x 203)
- 6.00" x 12.00" (152 x 305)

Construction

- Bodies and covers are fabricated from carbon steel
- Seams are continuously welded and ground smooth
- Smooth rounded edges on all sections and fittings prevent damage to the wire insulation
- Closed cell oil resistant neoprene strip gasket

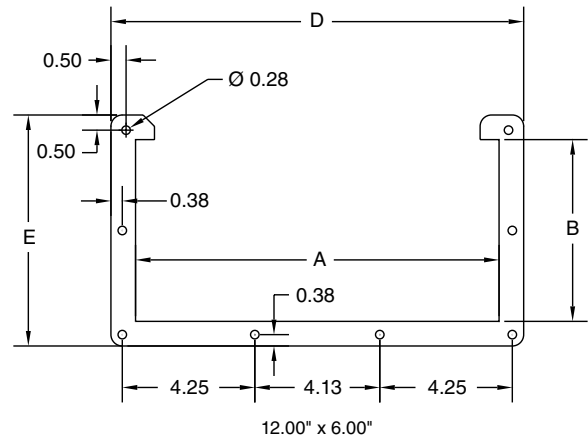
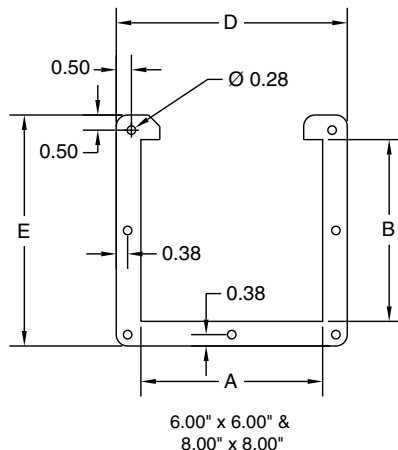
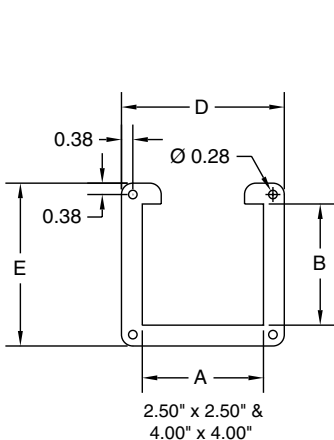
- Solid oil-resistant gasket positioned between flanges when sections and fittings are bolted together
- Butt hinges and external quick-release clamps insure a complete seal between covers and body yet permit immediate access to wireway interior
- Gasketed quick-release captivated sealing plate provides complete seal at each joint
- All necessary gaskets, nuts, and bolts furnished for efficient assembly

Finish

- ANSI 61 gray polyester powder inside and out

LJW SERIES LAY-IN WIREWAY (STRAIGHT SECTIONS)

Catalog Number					Length
2.50 x 2.50 (64 x 64)	4.00 x 4.00 (102 x 102)	6.00 x 6.00 (152 x 152)	8.00 x 8.00 (203 x 203)	6.00 x 12.00 (152 x 305)	
LJW21	LJW41	LJW61	LJW81	LJW1261	12.00" (205)
LJW22	LJW42	LJW62	LJW82	LJW1262	24.00" (610)
LJW23	LJW43	LJW63	LJW83	LJW1263	36.00" (914)
LJW24	LJW44	LJW64	LJW84	LJW1264	48.00" (1219)
LJW25	LJW45	LJW65	LJW85	LJW1265	60.00" (1524)
LJW210	LJW410	LJW610	LJW810	LJW12610	120.00" (3048)



LJW SERIES NEMA 12 LAY-IN WIREWAY & FITTINGS

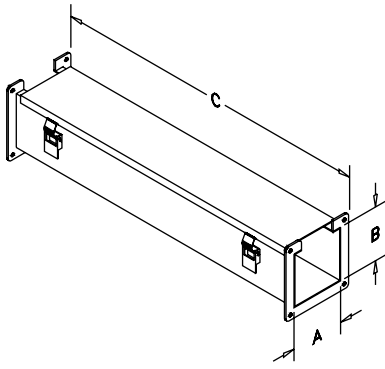
H9

LJW SERIES LAY-IN WIREWAY (FITTINGS)

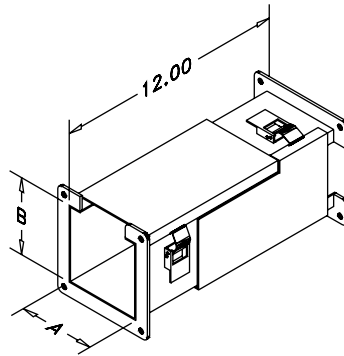
		Catalog Number										Description
2.50 x 2.50 (64 x 64)		4.00 x 4.00 (102 x 102)		6.00 x 6.00 (152 x 152)		8.00 x 8.00 (203 x 203)		6.00 x 12.00* (152 x 305)				
LJWS2	LJWS4	LJWS6	LJWS8	LJWS126								Telescope (not UL listed)
LJWF2	LJWF4	LJWF6	LJWF8	LJWF126								Lay-in, cut-off
LJWL902A	LJWL904A	LJWL906A	LJWL908A	LJWL90126A								90 Degree elbow top
LJWL902B	LJWL904B	LJWL906B	LJWL908B	LJWL90126B								90 Degree elbow inside
LJWL902C	LJWL904C	LJWL906C	LJWL908C	LJWL90126C								90 Degree elbow outside
LJWL452A	LJWL454A	LJWL456A	LJWL458A	LJWL45126A								45 Degree elbow top
LJWL452B	LJWL454B	LJWL456B	LJWL458B	—								45 Degree elbow inside
LJWL452C	LJWL454C	LJWL456C	LJWL458C	—								45 Degree elbow outside
LJWT2A	LJWT4A	LJWT6A	LJWT8A	LJWT126A								Tee-top
LJWT2C	LJWT4C	LJWT6C	LJWT8C	—								Tee-outside
LJWX2	LJWX4	LJWX6	LJWX8	LJWX126								Cross
LJWE2	LJWE4	LJWE6	LJWE8	LJWE126								Closure plate
LJWA2	LJWA4	LJWA6	LJWA8	LJWA126								Box connector
—	LJWRB42	—	—	—								Reducer 4.00x4.00 to 4.00x2.50
—	—	LJWRB64	—	—								Reducer 6.00x6.00 to 4.00x4.00
—	—	—	LJWRB86	—								Reducer 8.00x8.00 to 6.00x6.00
—	—	—	—	LJWRB1266								Reducer 12.00x6.00 to 6.00x6.00
JWD2	JWD4	JWD6	JWD8	—								Drop-hanger
JWBH2	JWBH4	JWBH6	JWBH8	—								Bracket-hanger
LJWN221	LJWN441	LJWN661	LJWN881	—								1.00" Nipple
LJWN222	LJWN442	LJWN662	LJWN882	—								2.00" Nipple
LJWN223	LJWN443	LJWN663	LJWN883	—								3.00" Nipple
LJWN226	LJWN446	LJWN666	LJWN886	LJWN1266								6.00" Nipple
LJW21CW	LJW41CW	LJW61CW	LJW81CW	—								12" Length clockwise transposition straight section
LJW21CCW	LJW41CCW	LJW61CCW	LJW81CCW	—								12" Length counter clockwise transposition straight
LJWL902CW	LJWL904CW	LJW906CW	LJW908CW	—								90 Degree elbow clockwise
LJWL902CCW	LJWL904CCW	LJWL906CCW	LJWL908CCW	—								90 Degree elbow counter clockwise
LJW2QRSP	LJW4QRSP	LJW6QRSP	LJW8QRSP	LJW126QRSP								Quick release flat sealing plate
LJW2ASP	LJW4ASP	LJW6ASP	LJW8ASP	LJW126ASP								90 Degree angle sealing plate
—	JW4BK60	JW6BK60	JW8BK60	JW6BK60								60.00" Barrier kit

LJW SERIES WIREWAYS & FITTINGS DIMENSIONS

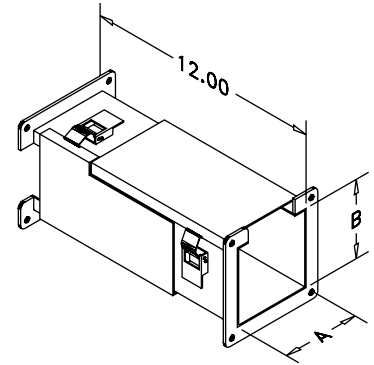
AxB		C - Length							D	E	G	H	J	K	P	R	S	T	U
2.50x2.50 (64x64)	6.00 (152)	12.00 (305)	24.00 (610)	36.00 (914)	48.00 (1219)	60.00 (1524)	120.00 (3048)	3.88 (99)	3.88 (99)	8.5 (216)	4.13 (105)	2.00 (51)	4.25 (108)	4.63 (118)	3.75 (95)	9.30 (237)	4.50 (114)	4.38 (111)	
4.00x4.00 (102x102)	6.00 (152)	12.00 (305)	24.00 (610)	36.00 (914)	48.00 (1219)	60.00 (1524)	120.00 (3048)	5.38 (137)	5.38 (137)	10.00 (254)	5.00 (127)	2.44 (62)	5.00 (127)	6.13 (156)	3.75 (95)	11.75 (298)	6.00 (152)	5.88 (149)	
6.00x6.00 (152x152)	6.00 (152)	12.00 (305)	24.00 (610)	36.00 (914)	48.00 (1219)	60.00 (1524)	120.00 (3048)	7.63 (194)	7.63 (194)	12.00 (305)	6.00 (152)	3.00 (76)	6.00 (152)	8.25 (210)	3.75 (95)	15.25 (387)	8.13 (207)	7.88 (200)	
8.00x8.00 (203x203)	6.00 (152)	12.00 (305)	24.00 (610)	36.00 (914)	48.00 (1219)	60.00 (1524)	120.00 (3048)	9.63 (245)	9.63 (245)	14.00 (356)	7.00 (178)	3.75 (95)	7.00 (178)	10.25 (260)	3.75 (95)	20.56 (522)	12.13 (308)	9.88 (251)	
12.00x6.00 (305x152)	6.00 (152)	12.00 (305)	24.00 (610)	36.00 (914)	48.00 (1219)	60.00 (1524)	120.00 (3048)	13.63 (346)	7.63 (194)	18.00 (457)	6.00 (152)	4.75 (121)	9.00 (229)	—	—	—	—	—	



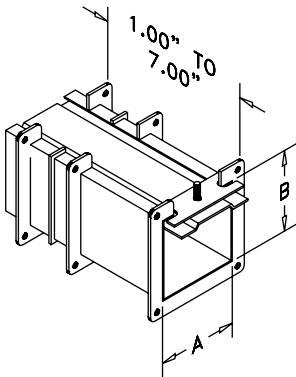
Straight



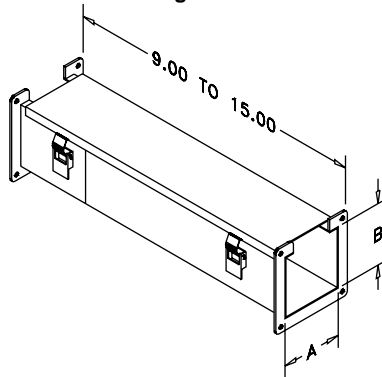
Clockwise Transposition
Straight Section



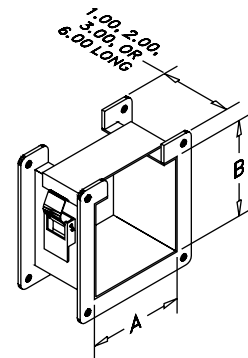
Counter-Clockwise Transposition
Straight Section



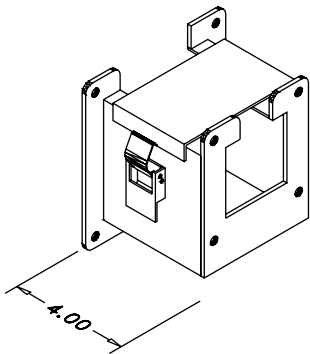
Lay-In Telescope Fitting



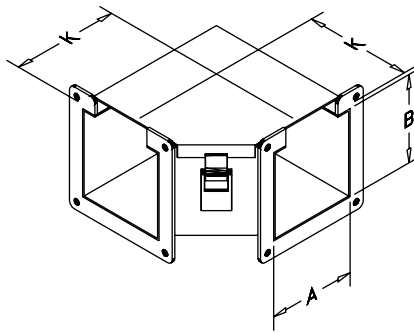
Lay-In Cut-Off Fitting



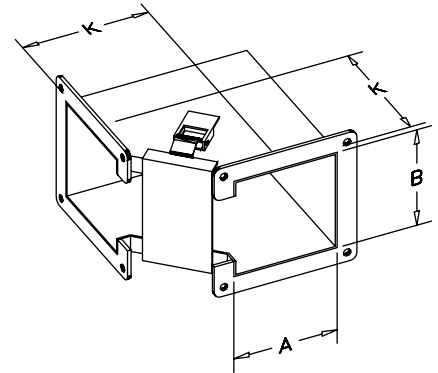
Nipple



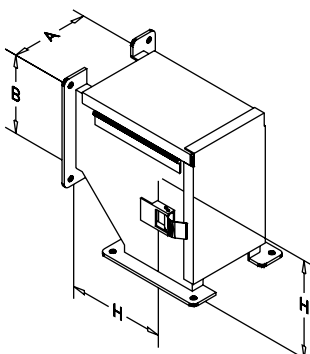
Reducer



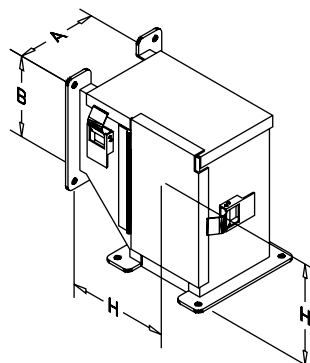
90° Elbow Top Opening



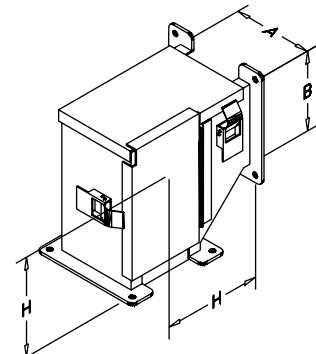
90° Elbow Inside Opening



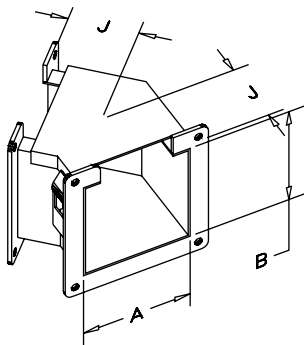
90° Elbow Outside Opening



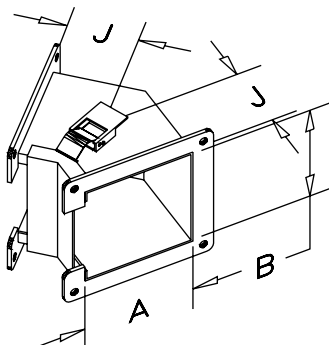
90° Elbow Clockwise Transposition



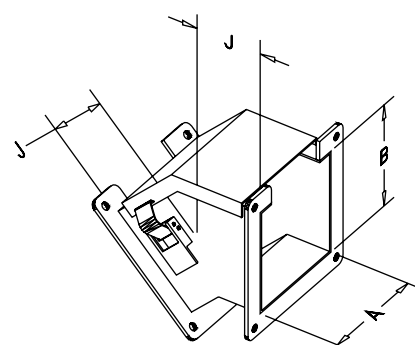
90° Elbow Counter-Clockwise
Transposition



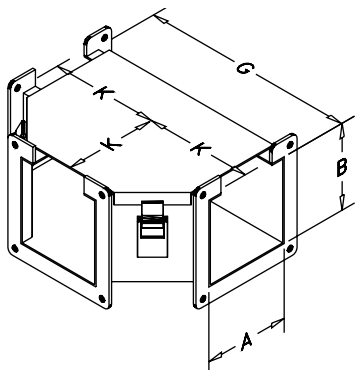
45° Elbow Top Opening



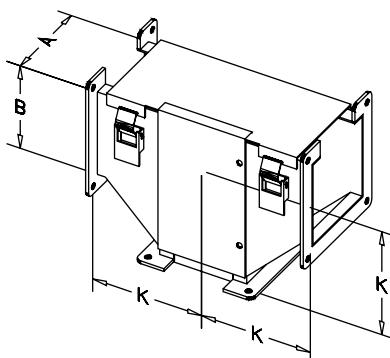
45° Elbow Inside Opening



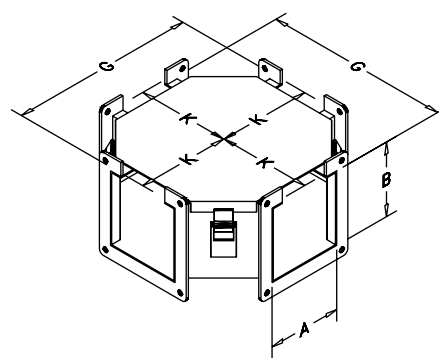
45° Elbow Outside Opening



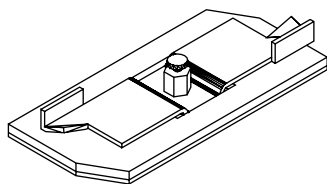
Tee Top Opening



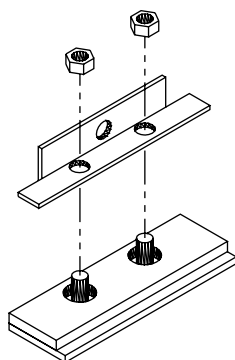
Tee Outside Opening



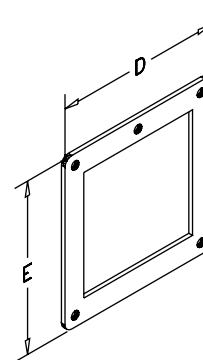
Cross



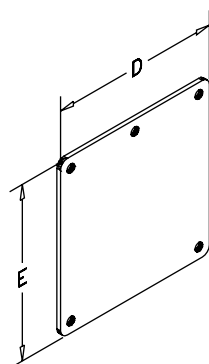
Quick Release Flat Sealing Plate



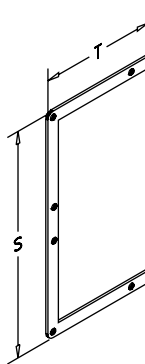
90° Angle Sealing Plate



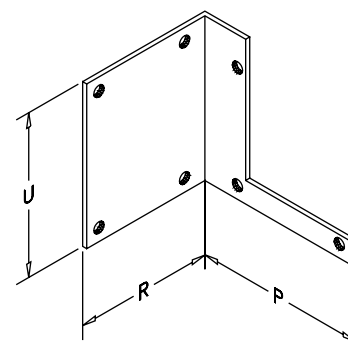
Box Connector



Closure Plate



Drop Hanger




Bracket Hanger



JW24

Industry Standards
UL 870
NEMA Type 12

 UL Files E32576

 CSA File LL66078

FEATURES-SPECIFICATIONS

Applications

Designed to protect electrical wiring from dirt, dust, oil, and water. All straight sections feature a hinged-top design for easy wiring.

A complete selection of sections and fittings is offered in four sizes (H x W):

- 2.50" x 2.50" (64 x 64)
- 4.00" x 4.00" (102 x 102)
- 6.00" x 6.00" (152 x 152)
- 8.00" x 8.00" (203 x 203)

Construction

- Bodies and covers are fabricated from carbon steel
- Seams are continuously welded and ground smooth
- Smooth rounded edges on all sections and fittings prevent damage to wire insulation
- Closed cell oil resistant neoprene strip gasket
- Solid oil resistant gasket is furnished to provide complete seal at each joint

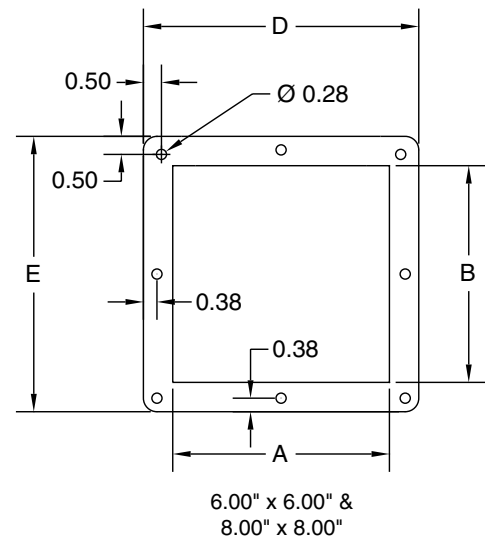
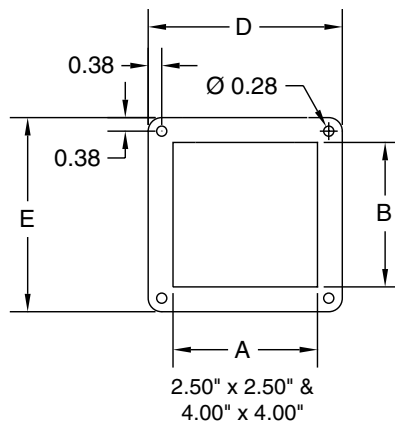
- Butt hinges and external screw clamps to insure a complete seal between covers and bodies
- All necessary gaskets, nuts and bolts furnished for efficient assembly

Finish

- ANSI 61 gray polyester powder inside and out

JW SERIES FEED-THROUGH WIREWAY (STRAIGHT SECTIONS)

Catalog Number				Length
2.50 x 2.50 (64 x 64)	4.00 x 4.00 (102 x 102)	6.00 x 6.00 (152 x 152)	8.00 x 8.00 (203 x 203)	
JW21	JW41	JW61	JW81	12.00" (205)
JW22	JW42	JW62	JW82	24.00" (610)
JW23	JW43	JW63	JW83	36.00" (914)
JW24	JW44	JW64	JW84	48.00" (1219)
JW25	JW45	JW65	JW85	60.00" (1524)
JW210	JW410	JW610	JW810	120.00" (3048)



NEMA 12 FEED-THROUGH WIREWAY & FITTINGS

JW SERIES

H13

JW SERIES FEED THROUGH WIREWAY (FITTINGS)

Catalog Number				Description
2.50 x 2.50 (64 x 64)	4.00 x 4.00 (102 x 102)	6.00 x 6.00 (152 x 152)	8.00 x 8.00 (203 x 203)	
JWS2	JWS4	JWS6	JWS8	Telescope*
JWF2	JWF4	JWF6	JWF8	Cut-off (1 set of gaskets and screws included)
JWL902	JWL904	JWL906	JWL908	90 Degree elbow (1 set of gaskets and screws included)
JWL452	JWL454	JWL456	JWL458	45 Degree elbow (1 set of gaskets and screws included)
JWT2	JWT4	JWT6	JWT8	Tee-top (2 sets of gaskets and screws included)
JWX2	JWX4	JWX6	JWX8	Cross (3 sets of gaskets and screws included)
JWE2	JWE4	JWE6	JWE8	End plate (1 set of gaskets and screws included)
JWA2	JWA4	JWA6	JWA8	Box adaptor (1 set of gaskets and screws included)
—	JWRB42C	—	—	Reducer 4.00" (102) to 2.50" (64) center hole**
—	—	JWRB64C	—	Reducer 6.00" (152) to 4.00" (102) center hole**
—	—	—	JWRB84C	Reducer 8.00" (203) to 4.00" (102) center hole**
—	—	—	JWRB86C	Reducer 8.00"(203) to 6.00" (152) center hole**
JWD2	JWD4	JWD6	JWD8	Drop-hanger
JWBH2	JWBH4	JWBH6	JWBH8	Bracket-hanger
JWN221	JWN441	JWN661	JWN881	1.00" Nipple
JWN222	JWN442	JWN662	JWN882	2.00" Nipple
JWN223	JWN443	JWN663	JWN883	3.00" Nipple
JWN226	JWN446	JWN666	JWN886	6.00" Nipple
JWSC22	JWSC44	JWSC66	—	Swivel nipple-regular
JWFF2	JWFF4	JWFF6	JWFF8	Flexible fitting***
—	JW4BK60	JW6BK60	JW8BK60	60.00" Barrier kit
JWG22	JWG44	JWG66	JWG88	Extra gasket and screws

* Not UL listed.

** One set of gaskets and screws included with all reducers.

***Minimum length 3", maximum length 8".

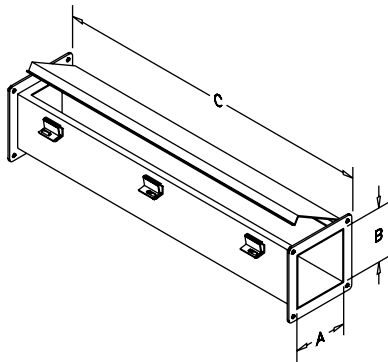
JW SERIES WIREWAY & FITTINGS DIMENSIONS

AxB	C - Length						D	E	G	H	J	K	P	R	S	T	U	
2.50x2.50 (64x64)	12.00 (305)	24.00 (610)	36.00 (914)	48.00 (1219)	60.00 (1524)	120.00 (3048)	3.88 (99)	3.88 (99)	5.5 (140)	8.50 (216)	2.50 (64)	2.00 (51)	4.25 (108)	4.63 (118)	3.75 (95)	9.31 (236)	4.50 (114)	4.38 (111)
4.00x4.00 (102x102)	12.00 (305)	24.00 (610)	36.00 (914)	48.00 (1219)	60.00 (1524)	120.00 (3048)	5.38 (137)	5.38 (37)	7.00 (178)	10.00 (254)	3.25 (83)	2.40 (62)	5.00 (127)	6.13 (156)	3.75 (95)	11.75 (298)	6.00 (152)	5.88 (149)
6.00x6.00 (152x152)	12.00 (305)	24.00 (610)	36.00 (914)	48.00 (1219)	60.00 (1524)	120.00 (3048)	7.63 (194)	7.63 (194)	9.00 (229)	12.00 (305)	4.25 (108)	3.00 (76)	6.00 (152)	8.25 (210)	3.75 (95)	15.25 (387)	8.13 (207)	7.88 (200)
8.00x8.00 (203x203)	12.00 (305)	224.00 (610)	36.00 (914)	48.00 (1219)	60.00 (1524)	120.00 (3048)	9.63 (245)	9.63 (245)	11.00 (279)	14.00 (356)	5.25 (133)	3.75 (95)	7.00 (178)	10.25 (260)	3.75 (95)	20.56 (522)	12.13 (308)	9.88 (251)

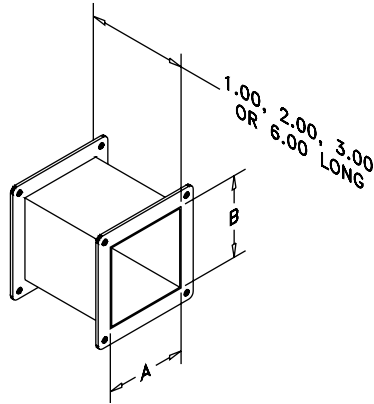
JW SERIES NEMA 12 FEED-THROUGH WIREWAY & FITTINGS

JW SERIES WIREWAY & FITTINGS DIMENSIONS

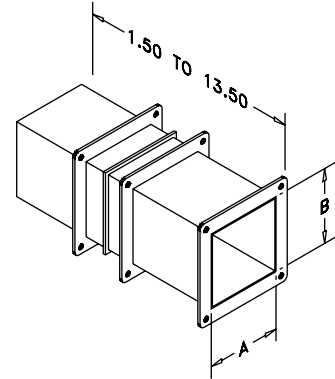
AxB	C - Length					D	E	G	H	J	K	P	R	S	T	U	
2.50x2.50 (64x64)	12.00 (305)	24.00 (610)	36.00 (914)	48.00 (1219)	60.00 (1524)	120.00 (3048)	3.88 (99)	5.50 (140)	8.50 (216)	2.50 (64)	2.00 (51)	4.25 (108)	4.63 (118)	3.75 (95)	9.31 (236)	4.50 (114)	4.38 (111)
4.00x4.00 (102x102)	12.00 (305)	24.00 (610)	36.00 (914)	48.00 (1219)	60.00 (1524)	120.00 (3048)	5.38 (137)	7.00 (178)	10.00 (254)	3.25 (83)	2.44 (62)	5.00 (127)	6.13 (156)	3.75 (95)	11.75 (298)	6.00 (152)	5.88 (149)
6.00x6.00 (152x152)	12.00 (305)	24.00 (610)	36.00 (914)	48.00 (1219)	60.00 (1524)	120.00 (3048)	7.63 (194)	9.00 (229)	12.00 (305)	4.25 (108)	3.00 (76)	6.00 (152)	8.25 (210)	3.75 (95)	15.25 (387)	8.13 (207)	7.88 (200)
8.00x8.00 (203x203)	12.00 (305)	24.00 (610)	36.00 (914)	48.00 (1219)	60.00 (1524)	120.00 (3048)	9.63 (245)	11.00 (279)	14.00 (356)	5.25 (133)	3.75 (95)	7.00 (178)	10.25 (260)	3.75 (95)	20.56 (522)	12.13 (308)	9.88 (251)



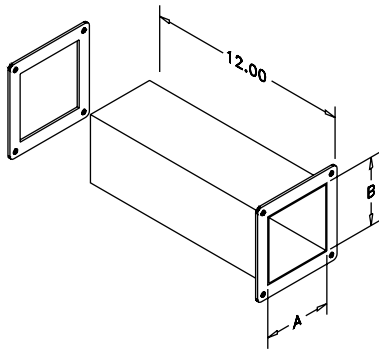
Straight Section



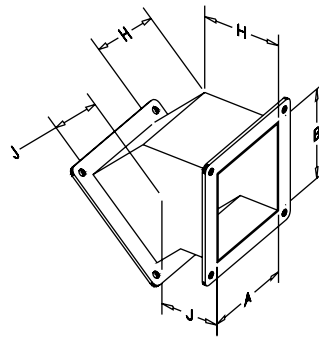
Nipple



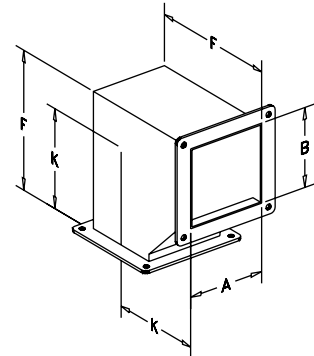
Telescope Fitting



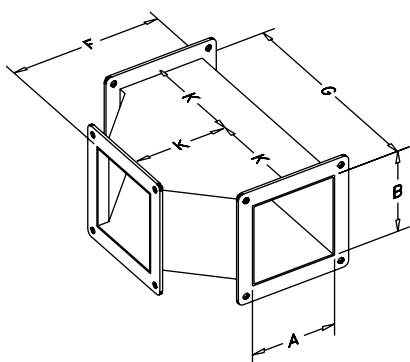
Cut-Off Fitting



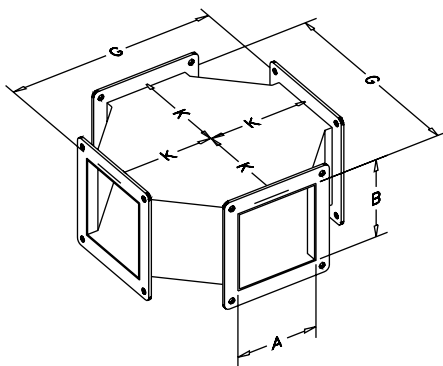
45° Elbow



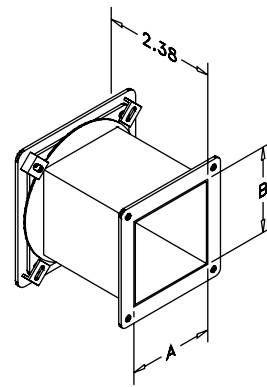
90° Elbow



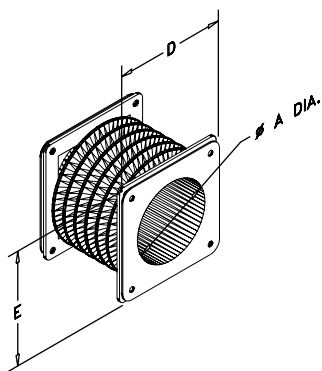
Tee



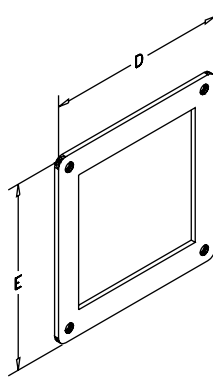
Cross



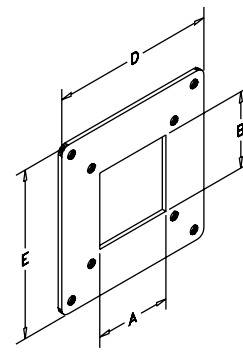
Swivel Nipple



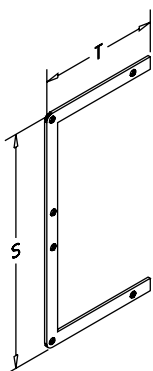
Flexible Fitting



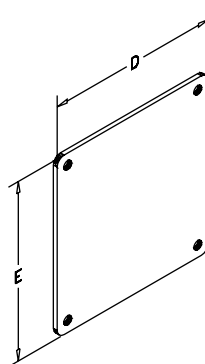
Box Adapter



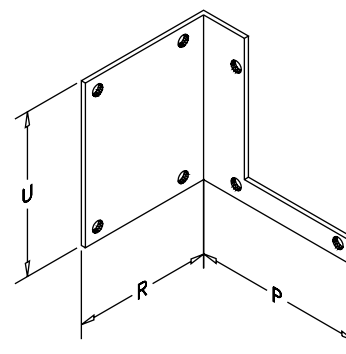
Reducer Center Hole



Drop Hanger



Closure Plate




Bracket Hanger



SSJW42

Industry Standards
UL 870
NEMA Type 4X & 12

 UL Files E32576

 CSA File LL66078

FEATURES-SPECIFICATIONS

Applications

Designed to protect electrical wiring in areas where corrosion problems exist.

A complete selection of sections and fittings is offered in two sizes:

4.00" x 4.00" (102 x 102)
6.00" x 6.00" (152 x 152)

Construction

- Bodies and covers are fabricated from 304 stainless steel
- Features hinged top for easy wiring
- Seams are continuously welded and ground smooth
- Smooth rounded edges on all sections and fittings prevent damage to the wire insulation
- Closed cell oil resistant neoprene strip gasket
- Butt hinges and external stainless steel screw clamps to insure a complete seal between covers and bodies
- Solid oil-resistant gasket is furnished to provide complete seal at each joint
- All necessary gaskets, nuts and bolts furnished for efficient assembly

Finish

- Exterior surfaces of the enclosure have a smooth grained finish

JW SERIES FEEDTHROUGH WIREWAY (STRAIGHT SECTIONS)

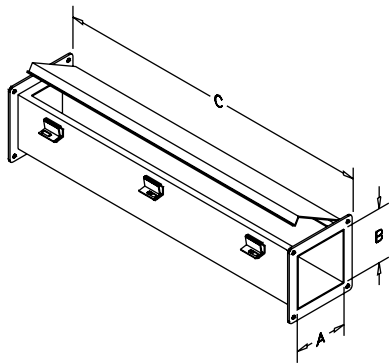
Catalog Number		Description
4.00 x 4.00 (102 x 102)	6.00 x 6.00 (152 x 152)	
SSJW41	SSJW61	12.00" (205) Straight section
SSJW42	SSJW62	24.00" (610) Straight section
SSJW43	SSJW63	36.00" (914) Straight section
SSJW44	SSJW64	48.00" (1219) Straight section
SSJW45	SSJW65	60.00" (1524) Straight section
SSJW410	SSJW610	120.00" (3048) Straight section
SSJWS4	SSJWS6	Telescope (not UL listed)
SSJWL904	SSJWL906	90° Elbow (1 set of gaskets and screws included)
SSJWL454	SSJWL456	45° Elbow (1 set of gaskets and screws included)
SSJWT4	SSJWT6	Tee-top (2 sets of gaskets and screws included)
SSJWE4	SSJWE6	End plate (1 set of gaskets and screws included)
SSJWA4	SSJWA6	Box adaptor (1 set of gaskets and screws included) (not UL listed)
—	SSJWRB64E	Reducer bushing 6.00" (152) to 4.00" (102) edge* (not UL listed)
—	SSJWRB64C	Reducer bushing 6.00" (152) to 4.00" (10) center* (not UL listed)
SSJWN446	SSJWN666	6.00" straight nipple fitting
SSJWFF4	SSJWFF6	Flexible fitting** (not UL listed)
SSJWD4	SSJWD6	Drop Hanger (not UL listed)
SSJWG44	SSJWG66	Gasket and Screws (not UL listed)
SSJWBH4	SSJWBH6	Bracket hanger (not UL listed)

* All reducer bushings included gaskets and screws.

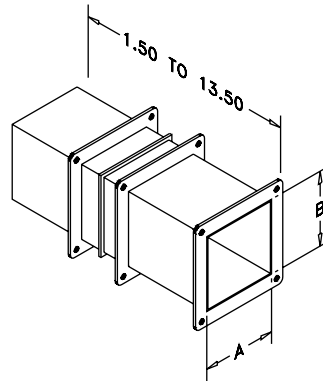
** Minimum length 3", maximum length 8".

SSJW SERIES WIREWAY & FITTINGS DIMENSIONS

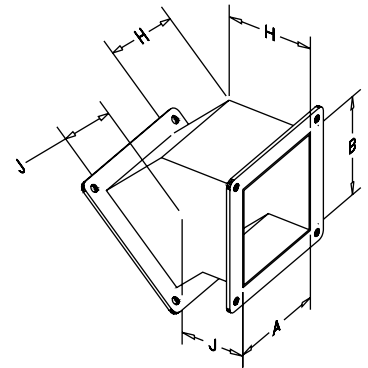
AxB	C - Length				D	E	F	G	H	J	K		
4.00x4.00 (102x102)	12.00 (305)	24.00 (610)	36.00 (914)	48.00 (1219)	60.00 (1524)	120.00 (3048)	5.38 (137)	5.38 (137)	7.00 (178)	10.00 (254)	3.25 (83)	2.44 (62)	5.00 (127)
6.00x6.00 (152x152)	12.00 (305)	24.00 (610)	36.00 (914)	48.00 (1219)	60.00 (1524)	120.00 (3048)	7.63 (194)	7.63 (194)	9.00 (229)	12.00 (305)	4.25 (108)	3.00 (76)	6.00 (152)



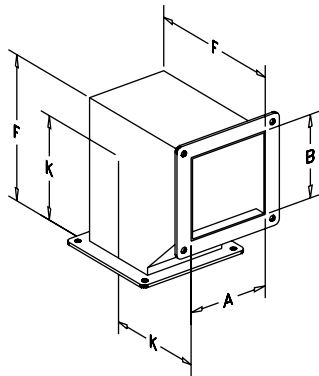
Straight Section



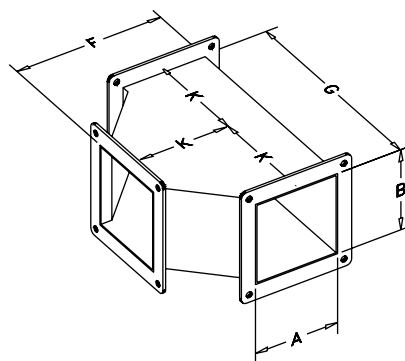
Telescope Fitting



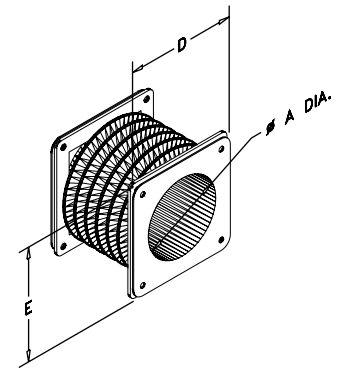
45° Elbow



90° Elbow



Tee



Flexible Fitting



RSCG060624

Industry Standards
UL 870
NEMA/EEMAC Type, 1 & 3R

 UL Files E32576

 CSA File LL66078

FEATURES-SPECIFICATIONS

Applications

Designed to protect wiring in outdoor installations against rain, sleet and snow, or indoors against dripping water.

Construction

- Trough and cover are fabricated from carbon steel or pre-galvanized steel

- Drip shield prevents rain, snow or sleet from entering the enclosure
- Embossed mounting holes are conveniently located on the back
- A slip-on removable cover is securely fastened with screws located along the bottom edge
- Knockouts are provided on the bottom of the enclosure

Finish

- ANSI-61 gray polyester powder inside and out
- Unpainted pre-galvanized steel

Accessories

- See pages L1-L24

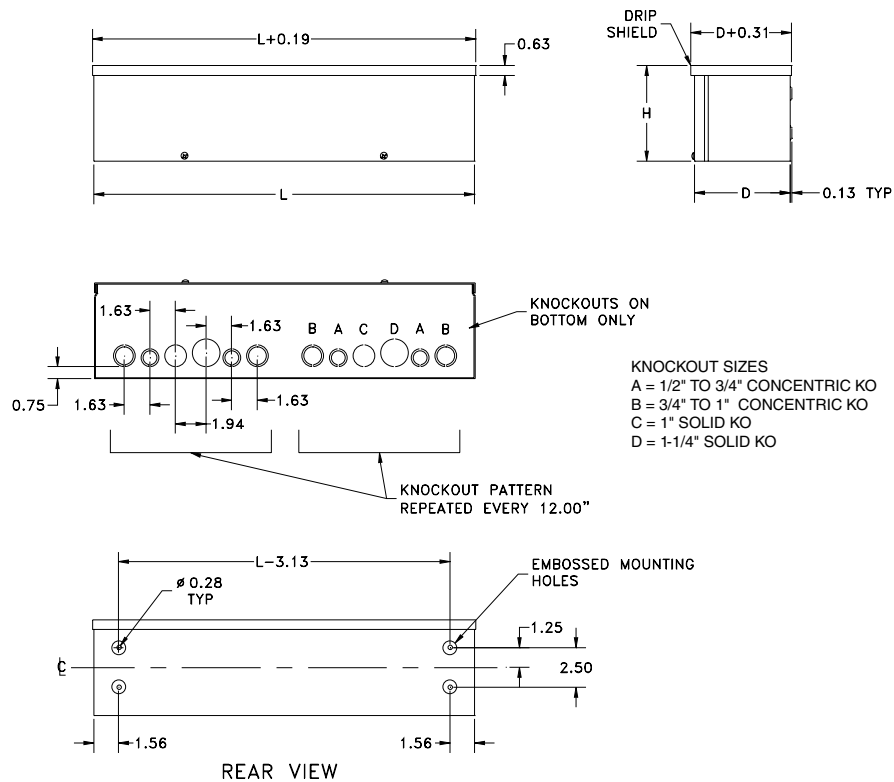
RSCG WALL-MOUNT WIRING TROUGH

Painted		Galvanized		Enclosure Size HxDxL	Knockout Pattern
With Knockouts	Without Knockouts	With Knockouts	Without Knockouts		
RSCG040412	RSCG040412NK	RSCG040412G	RSCG040412GNK	4.06x4.06x12.13 (103x103x308)	B-A-C-D-A-B repeated
RSCG040418	RSCG040418NK	RSCG040418G	RSCG040418GNK	4.06x4.06x18.13 (103x103x461)	B-A-C-D-A-B repeated
RSCG040424	RSCG040424NK	RSCG040424G	RSCG040424GNK	4.06x4.06x24.13 (103x103x613)	B-A-C-D-A-B repeated
RSCG040436	RSCG040436NK	RSCG040436G	RSCG040436GNK	4.06x4.06x36.13 (103x103x918)	B-A-C-D-A-B repeated
RSCG040448	RSCG040448NK	RSCG040448G	RSCG040448GNK	4.06x4.06x48.13 (103x103x1222)	B-A-C-D-A-B repeated
RSCG040460	RSCG040460NK	RSCG040460G	RSCG040460GNK	4.06x4.06x60.13 (103x103x1527)	B-A-C-D-A-B repeated
RSCG040472	RSCG040472NK	RSCG040472G	RSCG040472GNK	4.06x4.06x72.13 (103x103x1832)	B-A-C-D-A-B repeated
RSCG040496	RSCG040496NK	RSCG040496G	RSCG040496GNK	4.06x4.06x96.13 (103x103x2442)	B-A-C-D-A-B repeated
RSCG0404120	RSCG0404120NK	RSCG0404120G	RSCG0404120GNK	4.06x4.06x120.13 (103x103x3051)	B-A-C-D-A-B repeated
RSCG060612	RSCG060612NK	RSCG060612G	RSCG060612GNK	6.06x6.06x12.13 (154x154x308)	B-A-C-D-A-B repeated
RSCG060618	RSCG060618NK	RSCG060618G	RSCG060618GNK	6.06x6.06x18.13 (154x154x461)	B-A-C-D-A-B repeated
RSCG060624	RSCG060624NK	RSCG060624G	RSCG060624GNK	6.06x6.06x24.13 (154x154x613)	B-A-C-D-A-B repeated
RSCG060636	RSCG060636NK	RSCG060636G	RSCG060636GNK	6.06x6.06x36.13 (154x154x918)	B-A-C-D-A-B repeated
RSCG060648	RSCG060648NK	RSCG060648G	RSCG060648GNK	6.06x6.06x48.13 (154x154x1222)	B-A-C-D-A-B repeated
RSCG060660	RSCG060660NK	RSCG060660G	RSCG060660GNK	6.06x6.06x60.13 (154x154x1527)	B-A-C-D-A-B repeated
RSCG060672	RSCG060672NK	RSCG060672G	RSCG060672GNK	6.06x6.06x72.13 (154x154x1832)	B-A-C-D-A-B repeated
RSCG060696	RSCG060696NK	RSCG060696G	RSCG060696GNK	6.06x6.06x96.13 (154x154x2442)	B-A-C-D-A-B repeated
RSCG0606120	RSCG0606120NK	RSCG0606120G	RSCG0606120GNK	6.06x6.06x120.13 (154x154x3051)	B-A-C-D-A-B repeated
RSCG080812	RSCG080812NK	RSCG080812G	RSCG080812GNK	8.06x8.06x12.13 (154x154x308)	B-A-C-D-A-B repeated
RSCG080818	RSCG080818NK	RSCG080818G	RSCG080818GNK	8.06x8.06x18.13 (154x154x461)	B-A-C-D-A-B repeated
RSCG080824	RSCG080824NK	RSCG080824G	RSCG080824GNK	8.06x8.06x24.13 (205x205x613)	B-A-C-D-A-B repeated

continued on page H19

RSCG WALL-MOUNT WIRING TROUGH CONT.

Painted		Galvanized		Enclosure Size HxDxL	Knockout Pattern
With Knockouts	Without Knockouts	With Knockouts	Without Knockouts		
RSCG080836	RSCG080836NK	RSCG080836G	RSCG080836GNK	8.06x8.06x36.13 (205x205x914)	B-A-C-D-A-B repeated
RSCG080848	RSCG080848NK	RSCG080848G	RSCG080848GNK	8.06x8.06x48.13 (205x205x1219)	B-A-C-D-A-B repeated
RSCG080860	RSCG080860NK	RSCG080860G	RSCG080860GNK	8.06x8.06x60.13 (205x205x1524)	B-A-C-D-A-B repeated
RSCG080872	RSCG080872NK	RSCG080872G	RSCG080872GNK	8.06x8.06x72.13 (205x205x1828)	B-A-C-D-A-B repeated
RSCG080896	RSCG080896NK	RSCG080896G	RSCG080896GNK	8.06x8.06x96.13 (205x205x2442)	B-A-C-D-A-B repeated
RSCG0808120	RSCG0808120NK	RSCG0808120G	RSCG0808120GNK	8.06x8.06x120.13 (205x205x3051)	B-A-C-D-A-B repeated
RSCG101018	RSCG101018NK	RSCG101018G	RSCG101018GNK	10.06x10.06x18.13 (154x154x461)	B-A-C-D-A-B repeated
RSCG101024	RSCG101024NK	RSCG101024G	RSCG101024GNK	10.06x10.06x24.13 (205x205x613)	B-A-C-D-A-B repeated
RSCG101036	RSCG101036NK	RSCG101036G	RSCG101036GNK	10.06x10.06x36.13 (205x205x914)	B-A-C-D-A-B repeated
RSCG101048	RSCG101048NK	RSCG101048G	RSCG101048GNK	10.06x10.06x48.13 (205x205x1219)	B-A-C-D-A-B repeated
RSCG101060	RSCG101060NK	RSCG101060G	RSCG101060GNK	10.06x10.06x60.13 (205x205x1524)	B-A-C-D-A-B repeated
RSCG101072	RSCG101072NK	RSCG101072G	RSCG101072GNK	10.06x10.06x72.13 (205x205x1828)	B-A-C-D-A-B repeated
RSCG101096	RSCG101096NK	RSCG101096G	RSCG101096GNK	10.06x10.06x96.13 (205x205x2442)	B-A-C-D-A-B repeated
RSCG1010120	RSCG1010120NK	RSCG1010120G	RSCG1010120GNK	10.06x10.06x120.13 (205x205x3051)	B-A-C-D-A-B repeated
RSCG121218	RSCG121218NK	RSCG121218G	RSCG121218GNK	12.06x12.06x18.13 (154x154x461)	B-A-C-D-A-B repeated
RSCG121224	RSCG121224NK	RSCG121224G	RSCG121224GNK	12.06x12.06x24.13 (205x205x613)	B-A-C-D-A-B repeated
RSCG121236	RSCG121236NK	RSCG121236G	RSCG121236GNK	12.06x12.06x36.13 (205x205x914)	B-A-C-D-A-B repeated
RSCG121248	RSCG121248NK	RSCG121248G	RSCG121248GNK	12.06x12.06x48.13 (205x205x1219)	B-A-C-D-A-B repeated
RSCG121260	RSCG121260NK	RSCG121260G	RSCG121260GNK	12.06x12.06x60.13 (205x205x1524)	B-A-C-D-A-B repeated
RSCG121272	RSCG121272NK	RSCG121272G	RSCG121272GNK	12.06x12.06x72.13 (205x205x1828)	B-A-C-D-A-B repeated
RSCG121296	RSCG121296NK	RSCG121296G	RSCG121296GNK	12.06x12.06x96.13 (205x205x2442)	B-A-C-D-A-B repeated
RSCG1212120	RSCG1212120NK	RSCG1212120G	RSCG1212120GNK	12.06x12.06x120.13 (205x205x3051)	B-A-C-D-A-B repeated





T6624CH

Industry Standards
UL 870
NEMA Type 12 & 13



FEATURES-SPECIFICATIONS

Applications

Designed to protect wiring from dirt, dust, oil and water.

Construction

- Trough and cover are fabricated from carbon steel

- Seams are continuously welded and ground smooth
- Oil resistant strip gasket is provided
- Trough comes complete with easy to operate external clamps and a continuous hinge
- External mounting feet are provided

Finish

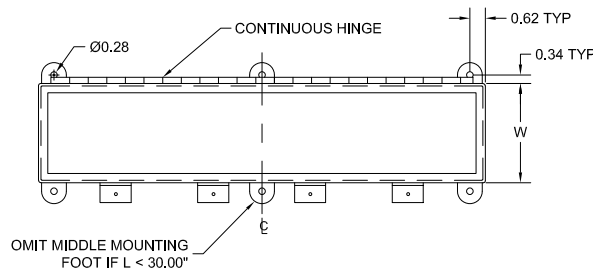
- ANSI-61 gray polyester powder inside and out

Accessories

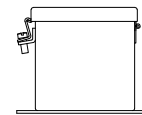
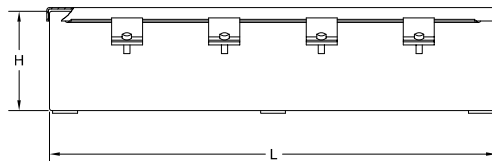
- See pages L1-L24

T-CH SERIES JIC HINGED COVER WIRING TROUGH

Catalog Number					
2.50 x 2.50 (64 x 64)	4.00 x 4.00 (102 x 102)	6.00 x 6.00 (152 x 152)	8.00 x 8.00 (203 x 203)	12.00 x 12.00 (305 x 305)	Length
T2212CH	T4412CH	T6612CH	T8812CH	—	12.00 (305)
T2218CH	T4418CH	T6618CH	—	—	18.00 (457)
T2224CH	T4424CH	T6624CH	T8824CH	T121224CH	24.00 (610)
—	T4430CH	T6630CH	—	—	30.00 (762)
T2236CH	T4436CH	T6636CH	T8836CH	T121236CH	36.00 (914)
T2248CH	T4448CH	T6648CH	T8848CH	T121248CH	48.00 (1219)
T2260CH	T4460CH	T6660CH	T8860CH	T121260CH	60.00 (1524)
T2272CH	T4472CH	T6672CH	—	—	72.00 (1829)



TOP VIEW WITH COVER REMOVED



Notes:

- 2 clamps are used when L = 12.00" and 18.00".
- 3 clamps are used when L = 24.00" through 48.00".
- 4 clamps are used when L = 60.00" and 72.00".

Section I Index

W1C Series		WPBA Series	
NEMA 12 Consoles	I2	NEMA 12 Sloping Pushbutton	I16
WC9 Series		PB Series	
NEMA 12 Consoles	I4	NEMA 4 & 12 30.5mm Pushbutton.....	I18
WC10 Series		PBGX Series	
NEMA 12 Consoles	I6	NEMA 12 22.5mm Pushbutton.....	I20
WC12 Series		PBXD Series	
NEMA 12 Consoles	I8	NEMA 4 & 12 30.5mm Pushbutton.....	I22
WC14 Series		PSL Series	
NEMA 12 Consoles	I10	NEMA 12 30.5mm Pushbutton.....	I24
WC-C Series		PBYX Series	
NEMA 12 Consolelets	I12	NEMA 12 30.5mm Pushbutton.....	I26
CCOL & Base Series			
NEMA 12 Pedestals.....	I14		

OPERATOR INTERFACE



W1C SERIES CONSOLES NEMA 12 OPERATOR INTERFACE



W1C30

Industry Standards

UL 508A, Type 12 & 13

CSA Certified, Type 12

NEMA/EEMAC Type 12 & 13

 UL Files E64791

 CSA File LL66078

FEATURES-SPECIFICATIONS

Applications

Designed to house electrical and electronic controls, instruments and components. Heavy-duty construction provides protection from dirt, dust, oil and water. Sloping front control panel provides an ideal surface for mounting pushbuttons, pilot lights, meters and switches.

Construction

- Bodies and doors are fabricated from carbon steel
- Seams are continuously welded and ground smooth
- 3-point keylocking handle is provided
- Main door on console is raised

- Control panels are hinged along the bottom edge
- Control panels, access panels and instrument panels have captivated screws which thread into sealed wells
- Door stops provided to hold control panel open
- Grounding provisions are provided
- Closed cell neoprene gasket
- Removable back panel included with the enclosure

Finish

- ANSI 61 gray polyester powder inside and out
- Included back panel is painted with a white polyester powder

Accessories

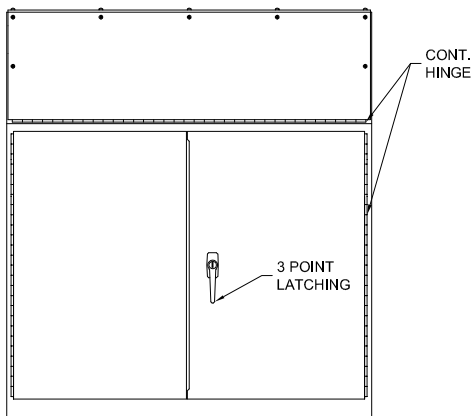
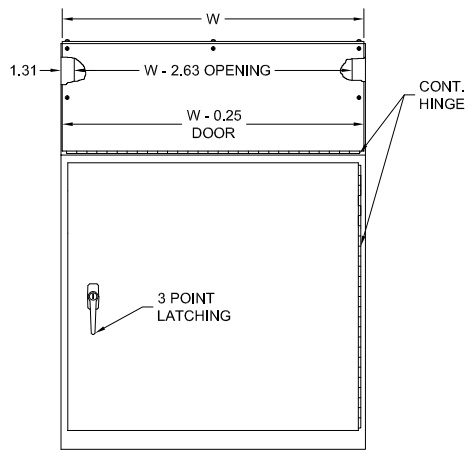
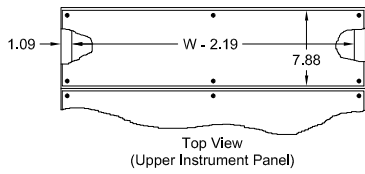
- See pages L1-L24

W1C SERIES OPERATOR INTERFACE CONSOLES

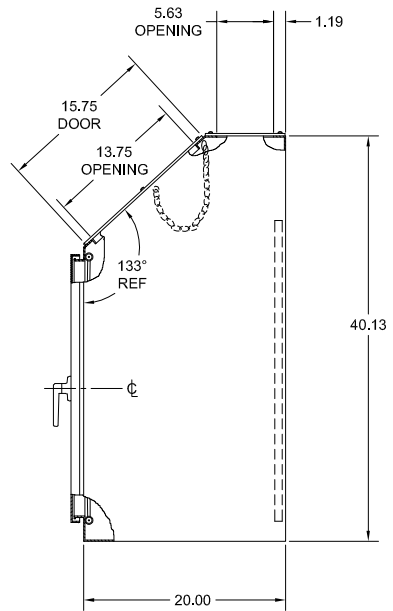
Catalog Number	Enclosure Size HxWxD	Back Panel Size HxW*
W1C24	40.00x24.00x20.00 (1016x610x508)	30.00x21.00 (762x533)
W1C30	40.00x30.00x20.00 (1016x762x508)	30.00x27.00 (762x686)
W1C36	40.00x36.00x20.00 (1016x914x508)	30.00x33.00 (762x838)
W1C42**	40.00x42.00x20.00 (1016x1067x508)	30.00x39.00 (762x991)
W1C48**	40.00x48.00x20.00 (1016x1219x508)	30.00x45.00 (762x1143)

* Back panels are included with console

** Two Door Units



View Showing
Two Door Console



WC9 SERIES CONSOLES NEMA 12 OPERATOR INTERFACE




WC924B

Industry Standards

UL 508A, Type 12
CSA Certified, Type 12
NEMA/EEMAC Type 12

 UL Files E64791

 CSA File LL66078

FEATURES-SPECIFICATIONS

Applications

Designed to house electrical and electronic controls, instruments and components. Heavy-duty construction provides protection from dirt, dust, oil and water. Sloping front control panel provides an ideal surface for mounting pushbuttons, pilot lights, meters and switches.

Construction

- Bodies and doors are fabricated from carbon steel
- 3-point keylocking handle is provided

- Seams are continuously welded and ground smooth
- Control panel is attached with a continuous hinge along the bottom edge and secured with captive screws, threaded into sealed wells
- Door stops are provided to hold control panel open
- Collar studs for mounting one, two or three optional panels are provided
- Closed cell neoprene gasket
- Grounding provisions are provided

Finish

- ANSI 61 gray polyester powder inside and out
- Optional side and back panels are painted with a white polyester powder

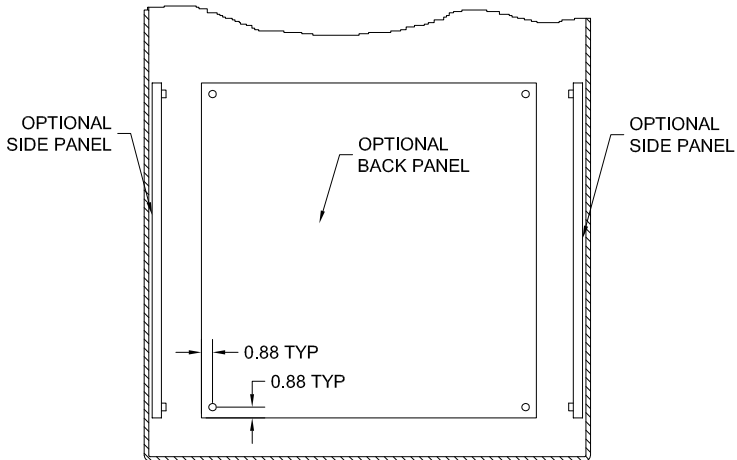
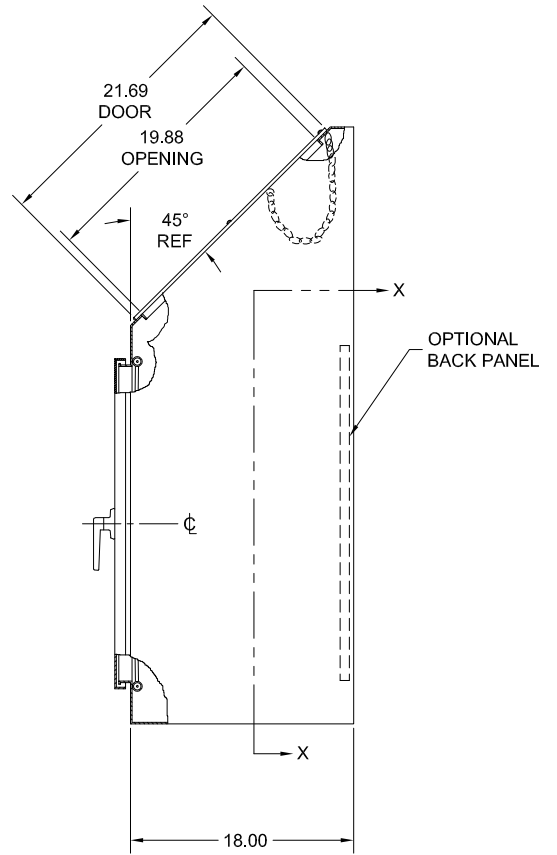
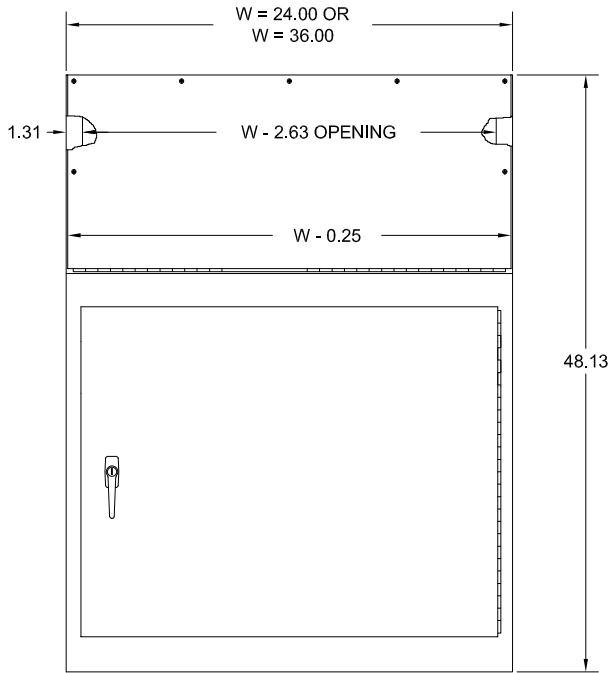
Accessories

- Side panels, back panels and caster kits (reference table)
- See pages L1-L24

WC9 SERIES OPERATOR INTERFACE CONSOLES

Catalog Number	Description/Size	Back Panel Catalog Number*	Back Panel Size HxW	Side Panel Catalog Number*	Side Panel Size HxW*	Caster Kit Catalog Number*
WC924B	Console body only 24" wide	NP3020	27.00x17.00 (686x432)	NP3020	27.00x17.00 (686x432)	WC10C
WC936B	Console body only 36" wide	NP3030	27.00x27.00 (686x686)	NP3020	27.00x17.00 (686x432)	WC10C

*Panels and Caster Kits must be ordered separately.



VIEW X-X

WC10 SERIES CONSOLES NEMA 12 OPERATOR INTERFACE



WC10B

Industry Standards

UL 508A, Type 12 & 13

CSA Certified, Type 12

NEMA/EEMAC Type 12 & 13

 UL Files E64791

 CSA File LL66078

FEATURES-SPECIFICATIONS

Applications

Designed to house electrical and electronic controls, instruments and components. Heavy-duty construction provides protection from dirt, dust, oil and water. Sloping front control panel provides an ideal surface for mounting pushbuttons, pilot lights, meters and switches.

Construction

- Bodies and doors are fabricated from carbon steel
- Seams are continuously welded and ground smooth
- 3-point keylocking handle is provided
- Flush main door
- Control panels are hinged along the bottom edge

- Controls panels have captivated screws which thread into sealed wells
- Door stops are provided to hold control panel open
- Closed cell neoprene gasket
- Removable back panel is included with the enclosure
- Grounding provisions are provided

Top

- Fabricated from carbon steel
- Seams are continuously welded and ground smooth
- Instrument and access panels have captivated screws which thread into sealed wells
- Closed cell neoprene gasket

Writing Desk

- Fabricated from carbon steel
- Seams are continuously welded and ground smooth
- Desks are removable and attach easily to the front of the console

Finish

- ANSI 61 gray polyester powder inside and out
- Included back panel is painted with a white polyester powder

Accessories

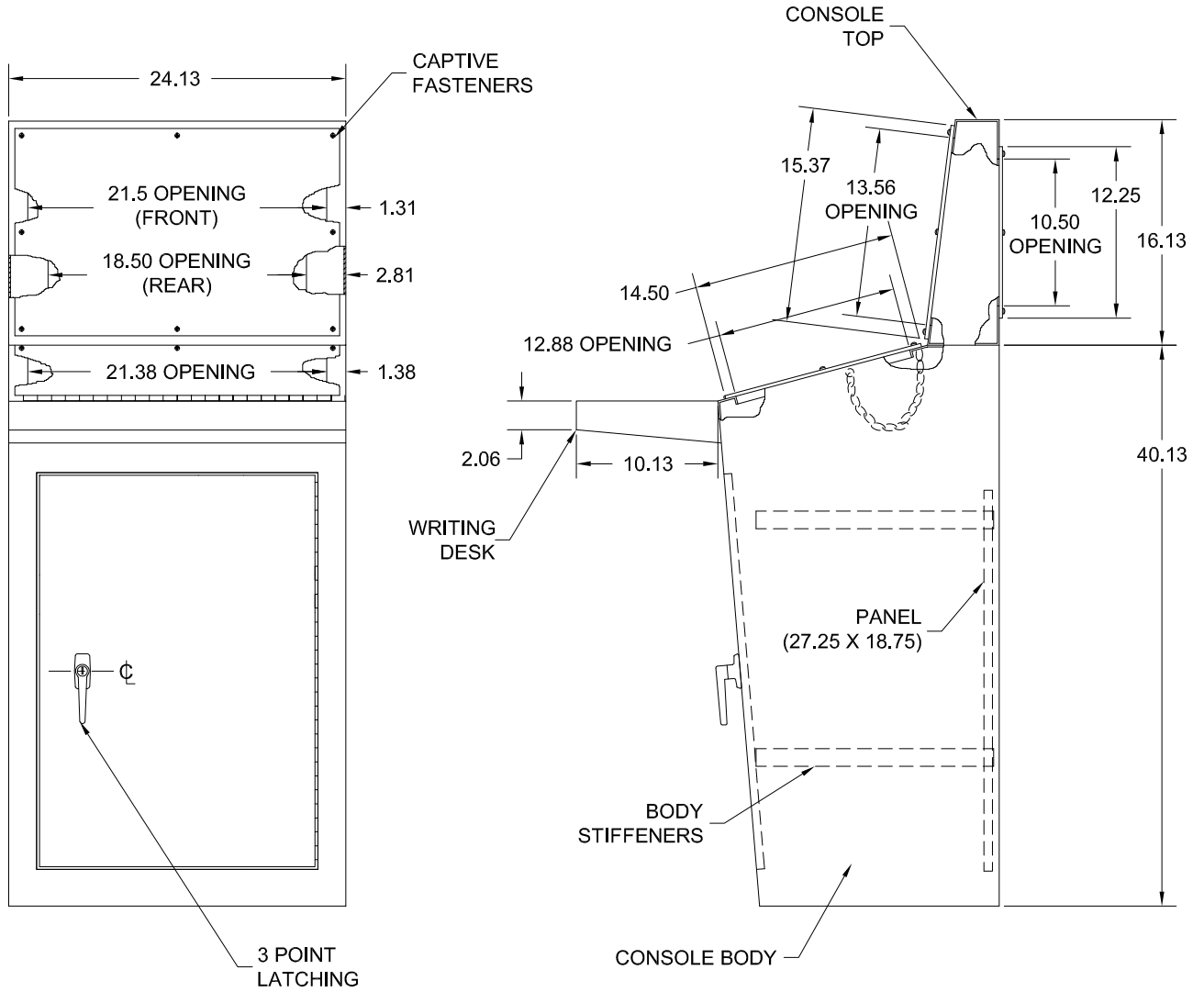
- See pages L1-L24

WC10 SERIES OPERATOR INTERFACE CONSOLES

Catalog Number	Description/Size
WC10B	Console body only / 24.00" wide
WC10T	Top for WC10B
WC10W	Writing desk for WC10B
WC10C	Caster kit

*U.L. Listed. Back panels are included with console.

NOTE: Tops, writing desks, and caster kits must be ordered separately.



WC12 SERIES CONSOLES NEMA 12 OPERATOR INTERFACE



WC1248BD

Industry Standards

UL 508A, Type 12 & 13

CSA Certified, Type 12 & 13

NEMA/EEMAC Type 12 & 13

 UL Files E64791

 CSA File LL66078

FEATURES-SPECIFICATIONS

Applications

Designed to house electrical and electronic controls, instruments and components. Heavy-duty construction provides protection from dirt, dust, oil and water. Sloping front control panel provides an ideal surface for mounting pushbuttons, pilot lights, meters and switches.

Construction

- Bodies and doors are fabricated from carbon steel
- Seams are continuously welded and ground smooth
- 3-point keylocking handle is provided
- Double overlapping doors are provided on two door consoles
- Main hinged doors are flush
- Large sloping control panels are hinged along the bottom edge
- Control panels have captivated screws which thread into sealed wells

- Grounding provisions are provided
- Door stops are provided to hold control panel open
- Closed cell neoprene gasket
- Removable back panel is included with console
- Studs are welded to the inside of the console for mounting back panel
- An inclined body rail is welded to each side of 24.00" wide and 36.00" wide consoles for support of terminal straps

Top

- Fabricated from carbon steel
- Tops have a sloped front surface
- Seams are continuously welded and ground smooth
- Instrument and access panels have captivated screws which thread into sealed wells
- Closed cell neoprene gasket

- Instrument panels and access panels are removable

Writing Desk

- Fabricated from carbon steel
- Seams are continuously welded and ground smooth
- Desks are removable and attach easily to the front of the console

Finish

- ANSI 61 gray polyester powder inside and out
- Included back panel is painted with a white polyester powder

Accessories

- See pages L1-L24

WC12 SERIES OPERATOR INTERFACE CONSOLES

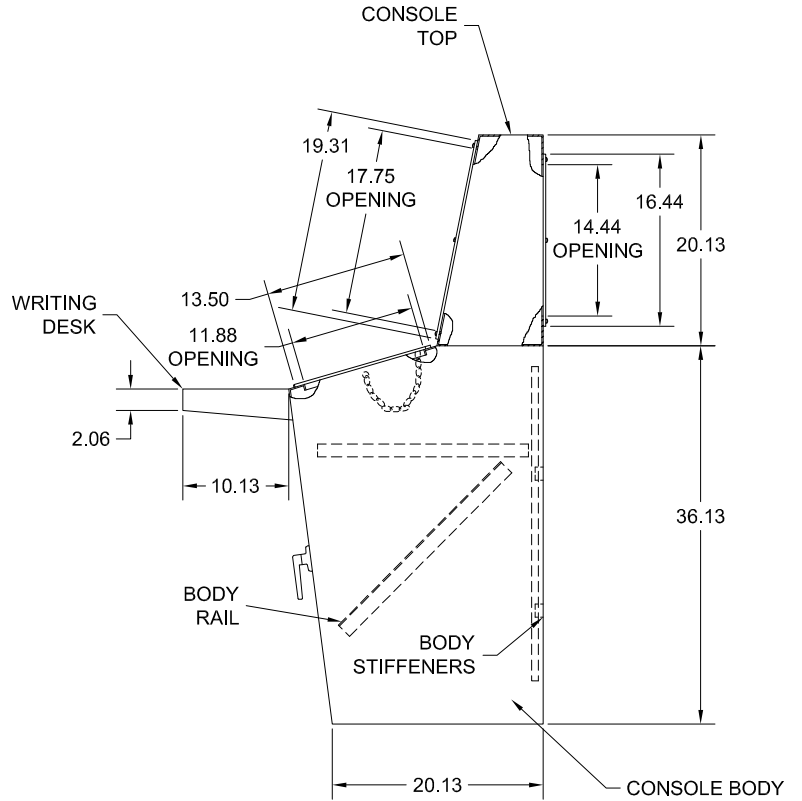
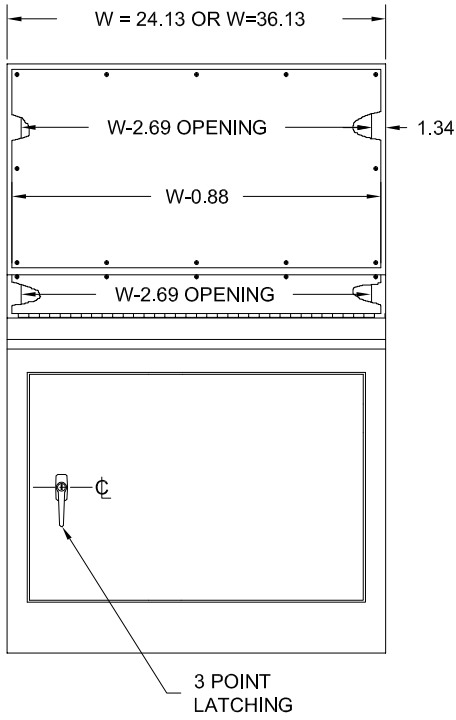
Catalog Number	Console Width	Catalog Number			Back Panel Size HxW*
		Console Top	Writing Desk	Casket Kit	
WC1224B*	24" (610)	WC1224T	WC1224W	WC12C	32"x18" (813x457)
WC12B*	36" (914)	WC12T	WC12W	WC12C	32"x30" (813x762)
WC1248BD**	48" (1219)	WC1248T	WC1248W	WC12C	32"x42" (813x1067)

*U.L. Listed. Back panels are included with console.

** UL Listed Type 12 only. Back panels are included with console.

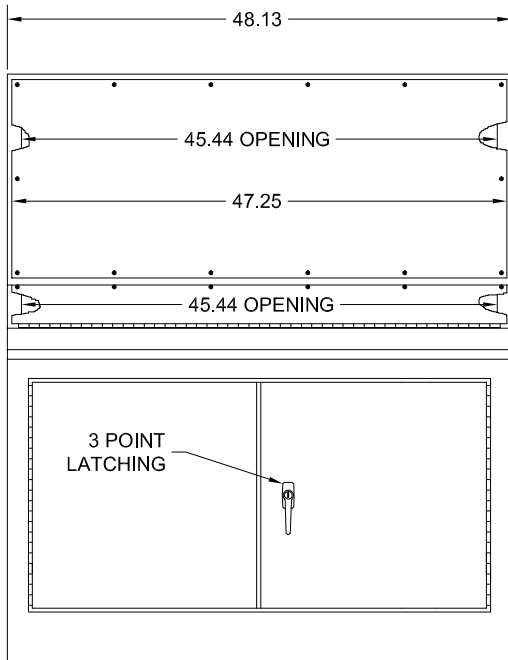
NOTE: Tops, writing desks, and caster kits must be ordered separately.

WC1224B & WC12B



**RIGHT VIEW
(APPLICABLE TO ALL)**

WC1248BD



WC14 SERIES CONSOLES NEMA 12 OPERATOR INTERFACE



WC14B

Industry Standards

UL 508A, Type 12
CSA Certified, Type 12
NEMA/EEMAC Type 12

 UL Files E64791

 CSA File LL66078

FEATURES-SPECIFICATIONS

Applications

Designed to house electrical and electronic controls, instruments and components. Heavy-duty construction provides protection from dirt, dust, oil and water. Sloping front control panel provides an ideal surface for mounting pushbuttons, pilot lights, meters and switches.

Body

- Bodies and doors are fabricated from carbon steel
- Seams are continuously welded and ground smooth
- 3-point keylocking handle is provided
- Double overlapping doors are provided on two door consoles
- Main hinged doors are flush
- Grounding provisions are provided
- One or two large sloping control panels are hinged on bottom
- Control panels have captivated screws which thread into sealed wells

- Door stops are provided to hold control panel open
- Closed cell neoprene gasket
- Horizontal channels are welded to the sides of the console to support optional panels, swing-out panels and rack mounting angles
- **Optional** half, full, and swing panels are available

Top

- Fabricated from carbon steel
- Top unit is 12.50" deep to accommodate most instruments
- Seams are continuously welded and ground smooth
- Instrument and access panels have captivated screws which thread into sealed wells
- Instrument and access panels are removable
- Closed cell neoprene gasket

Writing Desk

- Fabricated from carbon steel

- Seams are continuously welded and ground smooth
- Desks are removable and attach easily to the front of the console

Finish

- ANSI 61 gray polyester powder inside and out
- **Optional** panels are painted with a white polyester powder

Accessories

- See pages L1-L24

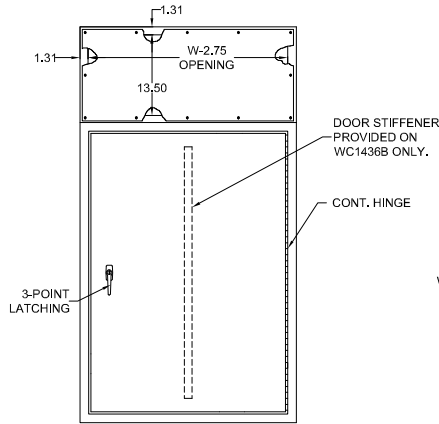
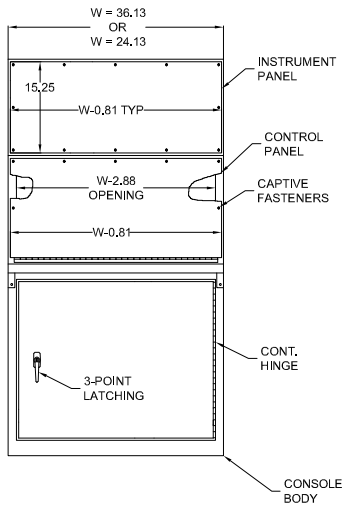
WC14 SERIES OPERATOR INTERFACE CONSOLES

Catalog Number Console only	Console Width	Console Top	Catalog Number		Panel Size HxW	Caster Kit	Catalog Number	
			Writing Desk	Various Panel*			Clamping Nuts	Rack Angles
WC14B (Single door)	24.00" (610)	WC14T	WC14W	WC14P1 (Swing panel)	22.00x18.13 (559x461)	WC12C	WAPS1420CN	WC14R
—	—	—	—	WC14P2 (Half panel)	22.00x17.00 (559x432)	—	—	—
—	—	—	—	WC14P3 (Full panel)	42.25x17.00 (1073x432)	—	WAPS3816CN	—
WC1436B (Single door)	36.00" (914)	WC1436T	WC1436W	WC1436P1 (Swing panel)	22.00x30.13 (559x765)	WC12C	WAPS1420CN	—
—	—	—	—	WC1436P2 (Half panel)	22.00x29.00 (559x737)	—	—	—
—	—	—	—	WC1436P3 (Full panel)	42.25x29.00 (1073x737)	—	WAPS3816CN	—
WC1448BD (Double door)	48.00" (1219)	WC1448T	WC1448W	WC1448P2 (Half panel)	22.00x41.00 (559x1041)	WC12C	WAPS1420CN	—
—	—	—	—	WC1448P3 (Full panel)	42.25x41.00 (1073x1041)	—	WAPS3816CN	—
WC1460BD (Double door)	60.00" (1524)	WC1460T	WC1460W	WC1460P2 (Half panel)	22.00x53.00 (559x1346)	WC12C	WAPS1420CN	—
—	—	—	—	WC1460P3 (Full panel)	42.25x53.00 (1073x1346)	—	WAPS3816CN	—

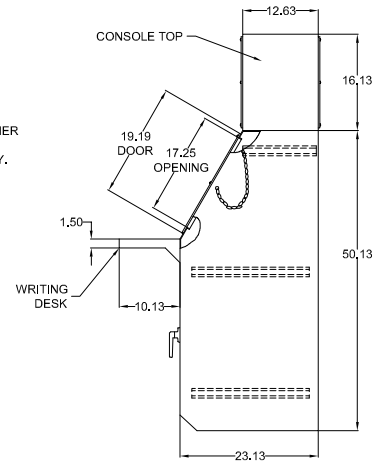
*Full, Half, and Swing panels must be ordered separately.

NOTE: Tops, writing desks, and caster kits must be ordered separately.

**WC14B AND
WC1436B**

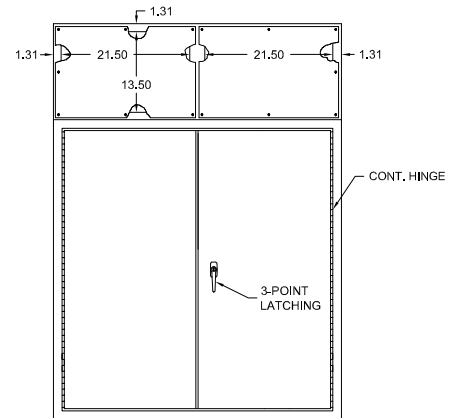
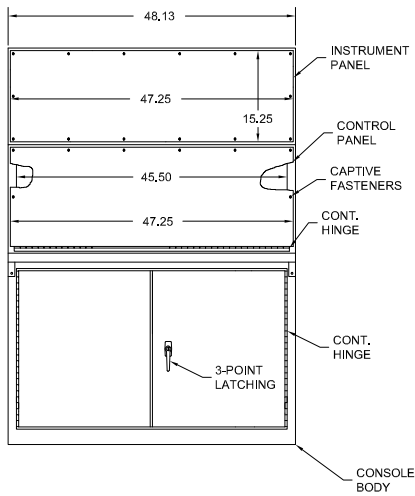


REAR VIEW



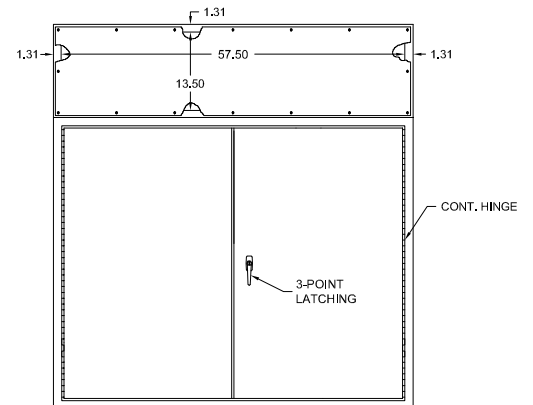
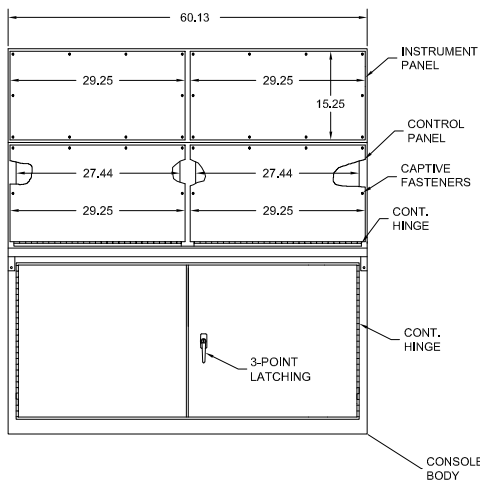
**RIGHT SIDE VIEW
(APPLICABLE TO ALL SIZES)**

WC1448BD



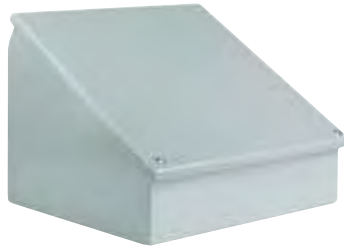
REAR VIEW

WC1460BD



REAR VIEW

WC-C SERIES CONSOLETS NEMA 12 OPERATOR INTERFACE



WC12C12


Industry Standards

UL 508A, Type 12 & 13

CSA Certified, Type 12

NEMA/EEMAC Type 12 & 13

 UL Files E64791

 CSA File LL66078

FEATURES-SPECIFICATIONS

Applications

Designed to house a variety of electronic control or instrumentation devices. Consolets provide protection from dust, dirt, oil, and water. Flexible design allows for mounting on either of two sides, creating control surfaces of 30 degrees or 60 degrees. Consolets can be mounted on desktops, pedestals, or other flat surfaces.

Construction

- Bodies and doors are fabricated from carbon steel
- Seams are continuously welded and ground smooth
- Captivated cover screws thread into sealed wells
- Control panel is continuously hinged along the bottom edge

- Closed cell oil resistant neoprene gasket
- Grounding provisions are provided

Finish

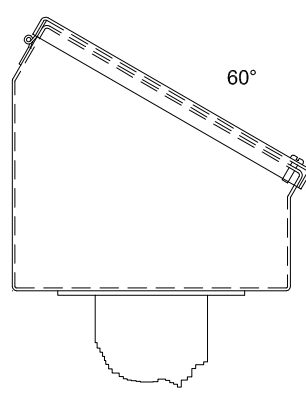
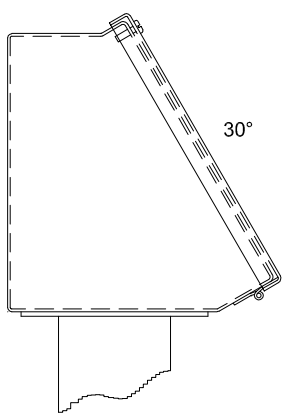
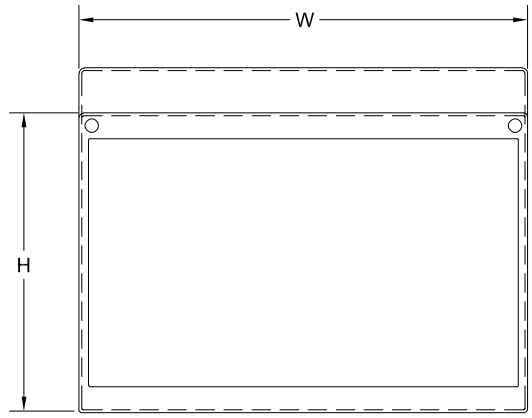
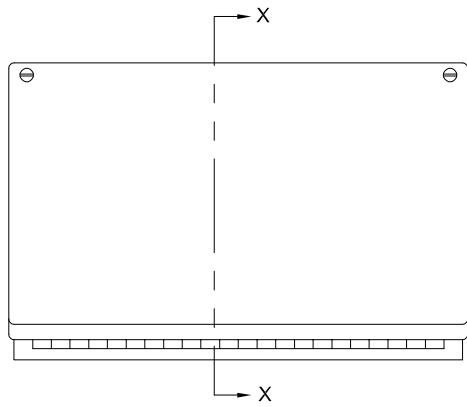
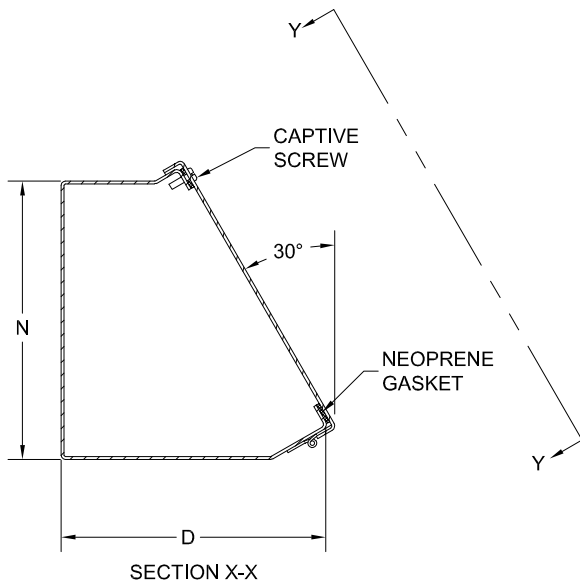
- ANSI-61 gray polyester powder inside and out over phosphatized surfaces

Accessories

See pages L1-L24

WC-C SERIES OPERATOR INTERFACE CONSOLETS

Catalog Number	Enclosure Size HxWxD	N
WC08C08	8.00x8.00x7.09 (203x203x180)	7.44 (189)
WC08C12	8.00x12.00x7.09 (203x305x180)	7.44 (189)
WC08C16	8.00x16.00x7.09 (203x406x180)	7.44 (189)
WC08C20	8.00x20.00x7.09 (203x508x180)	7.44 (189)
WC12C12	12.00x12.00x9.09 (305x305x231)	10.91 (277)
WC12C16	12.00x16.00x9.09 (305x406x231)	10.91 (277)
WC12C20	12.00x20.00x9.09 (305x508x231)	10.91 (277)
WC12C24	12.00x24.00x9.09 (305x610x231)	10.91 (277)
WC16C16	16.00x16.00x11.09 (406x406x282)	14.38 (365)
WC16C20	16.00x20.00x11.09 (406x508x282)	14.38 (365)
WC16C24	16.00x24.00x11.09 (406x610x282)	14.38 (365)
WC16C30	16.00x30.00x11.09 (406x762x282)	14.38 (365)
WC16C36	16.00x36.00x11.09 (406x914x282)	14.38 (365)
WC20C20	20.00x20.00x13.09 (508x508x333)	17.84 (453)
WC20C24	20.00x24.00x13.09 (508x610x333)	17.84 (453)
WC20C30	20.00x30.00x13.09 (508x762x333)	17.84 (453)



Consolet can be positioned at 30° or 60° angle.

CCOL & BASE SERIES PEDESTALS NEMA 12 OPERATOR INTERFACE



WA44CCOL
WITH OPTIONAL BASE SHOWN



WA44BPCOL
WITH OPTIONAL BASE SHOWN

FEATURES-SPECIFICATIONS

Applications

Designed to permit floor mounting of many types of enclosures and boxes. Four column and two base sizes are available. Columns can be mounted on either base. Wiring connections can be made through the base, through the vertical column, or directly to the enclosure. Columns have flanges at each end and a gasketed access plate. Screws, oil-resistant gaskets, and box connector fittings are furnished with each column for joining an enclosure to the top of the column. A cutout must be made in the enclosure if the wires are to come through the column.

Column

- Columns are fabricated from carbon steel or 304 stainless steel
- Gasket, screws and box connector fittings are furnished for mounting console
- Columns feature gasketed access plate

Base

- Fabricated from carbon steel or 304L stainless steel
- Bases have reinforced, leveling screws and holes for securing to the floor

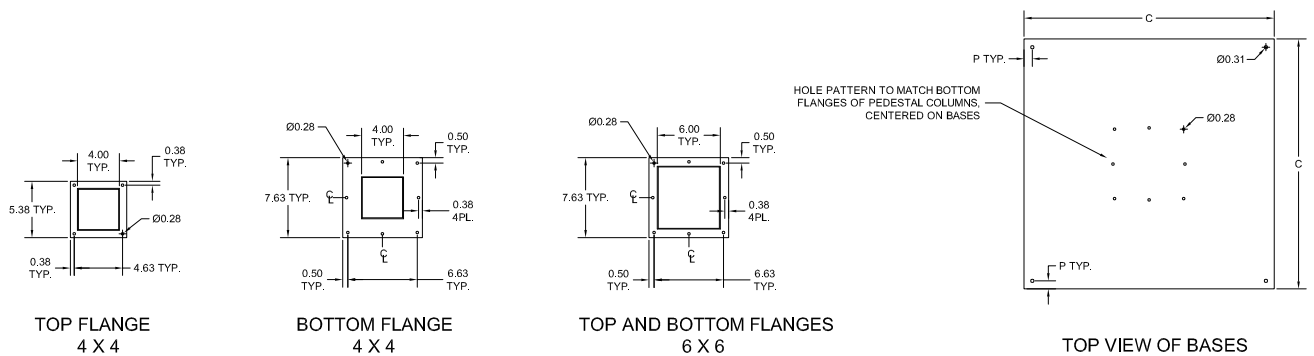
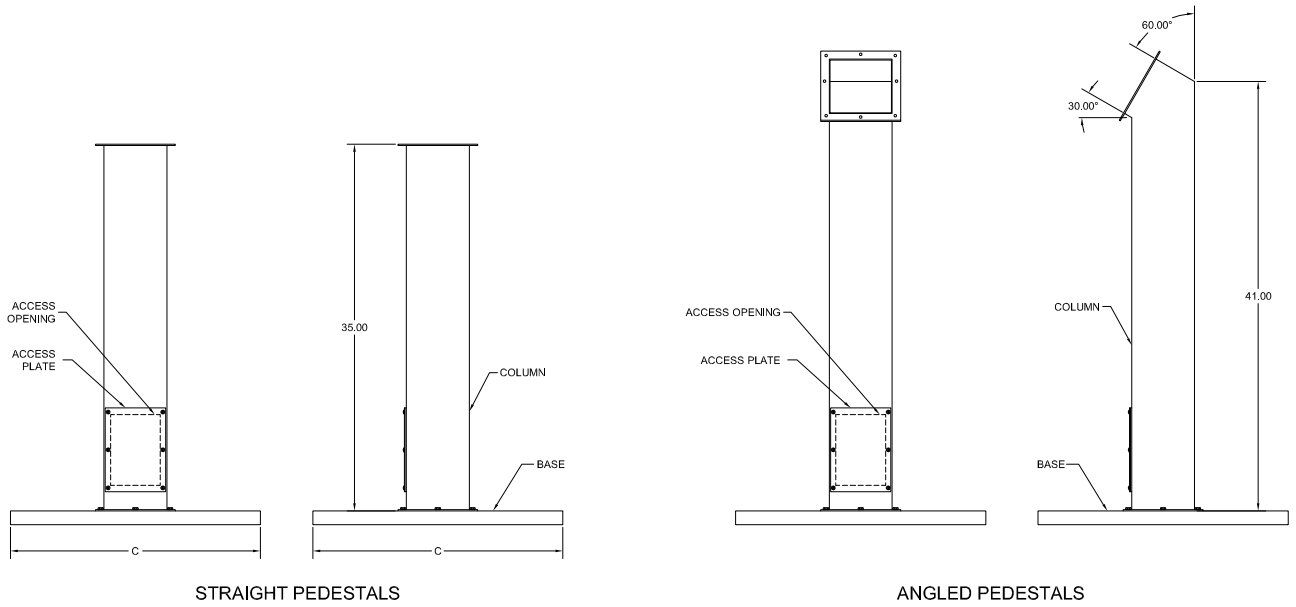
Finish

- ANSI-61 gray polyester powder inside and out
- Stainless steel option has a smooth grained finish

OPERATOR INTERFACE PEDESTALS AND BASES

Catalog Number		Size	Description	C	P
Gray	Stainless Steel				
WA44CCOL	WA44CCOLSS	4.00x4.00 (102x102)	Straight pedestal column	—	—
WA66CCOL	WA66CCOLSS	6.00x6.00 (152x152)	Straight pedestal column	—	—
WA44PBCOL	WA44PBCOLSS	4.00x4.00 (102x102)	Angled pedestal column	—	—
WA66PBCOL	WA66PBCOLSS	6.00x6.00 (152x152)	Angled pedestal column	—	—
WA18SBASE	WA18SBASESS	18.00x18.00 (457x457)	Pedestal base	18.06 (459)	0.47 (12)
WA24SBASE	WA24SBASESS	24.00x24.00 (610x610)	Pedestal base	23.88 (606)	0.78 (20)

NOTE: The user would normally remove the mounting feet from the enclosure if the enclosure is mounted on a pedestal. Hubbell Wiegmann can supply enclosures without mounting feet/plates and with cutouts as a special. Consult factory for information.



WPBA SERIES 30.5 MM SLOPING PUSHBUTTON ENCLOSURES NEMA 12 OPERATOR INTERFACE



WPBA10

Industry Standards

UL 508A, Type 12 & 13
CSA Certified, Type 12
NEMA/EEMAC Type 12 & 13

 UL Files E64791

 CSA File LL66078

FEATURES-SPECIFICATIONS

Applications

Designed for use where slanted control surfaces are required. Enclosures may be mounted in a variety of ways to meet specific requirements. Receives all standard brands of oil-tight pushbuttons, switches and pilot lights. Provides protection from dirt, dust, oil and water.

Construction

- Bodies and covers are fabricated from carbon steel

- Closed cell oil resistant neoprene gasket
- Seams are continuously welded and ground smooth
- External mounting plate at the top and bottom of the enclosure
- Captivated cover screws thread into sealed wells
- Standard "4-way" pushbutton holes accept all brands of oil-tight pushbuttons, switches and pilot lights
- Enclosures 7.25" x 6.25" x 6.75" and larger have internal detachable hinges to hold cover open during wiring, yet permit quick removal
- Grounding provisions are provided

Finish

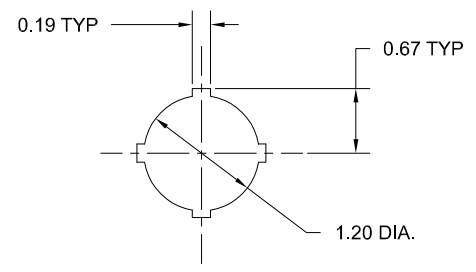
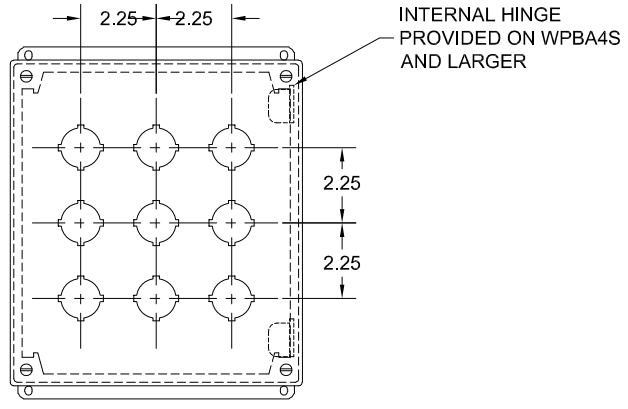
- ANSI-61 gray polyester powder inside and out

Accessories

- See pages L1-L24

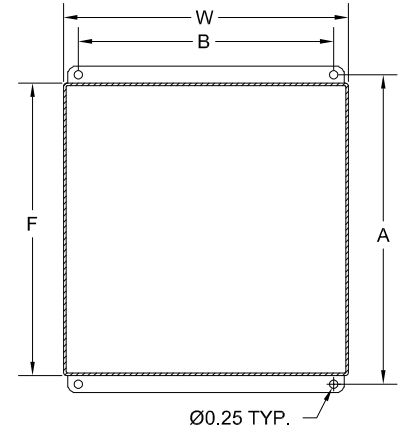
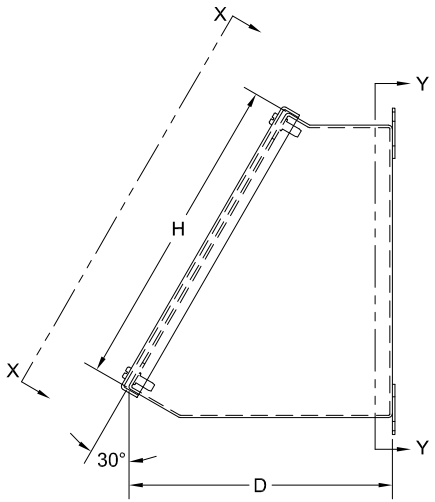
WPBA SERIES OPERATOR INTERFACE • 30.5MM SLOPING FRONT PUSHBUTTON ENCLOSURES

Catalog Number	Enclosure Size HxWxD	Mounting AxB	F
WPBA1	3.50x3.25x4.78 (89x83x121)	4.03x2.38 (102x60)	3.53 (90)
WPBA2	3.50x5.50x4.78 (89x140x121)	4.03x4.63 (102x117)	3.53 (90)
WPBA3	3.50x7.75x4.78 (89x197x121)	4.03x6.88 (102x175)	3.53 (90)
WPBA4	3.50x10.00x4.78 (89x254x121)	4.03x9.13 (102x232)	3.53 (90)
WPBA4S	7.25x6.25x6.66 (184x159x169)	7.28x5.38 (185x137)	6.78 (172)
WPBA6	7.25x8.50x6.66 (184x216x169)	7.28x7.63 (185x194)	6.78 (172)
WPBA8	7.25x10.75x6.66 (184x273x169)	7.28x9.88 (185x251)	6.78 (172)
WPBA9	9.50x8.50x7.78 (241x216x198)	9.25x7.63 (235x194)	8.75 (222)
WPBA10	7.25x13.00x6.66 (184x330x169)	7.28x12.13 (185x308)	6.78 (172)
WPBA12	7.25x15.25x6.66 (184x387x169)	7.28x14.38 (185x365)	6.78 (172)
WPBA12S	11.75x8.50x8.91 (298x216x226)	11.19x7.63 (284x194)	10.69 (271)
WPBA16	7.25x19.75x6.66 (184x502x169)	7.28x18.88 (185x479)	6.78 (172)
WPBA16S	11.75x10.75x8.91 (298x330x226)	11.19x9.88 (284x308)	10.69 (271)
WPBA20	11.75x13.00x8.91 (298x330x226)	11.19x12.13 (284x308)	10.69 (271)
WPBA25	14.00x13.00x10.03 (356x330x255)	13.13x12.13 (333x308)	12.63 (321)
WPBA30	14.00x15.25x10.03 (356x387x255)	13.13x14.38 (333x365)	12.63 (321)



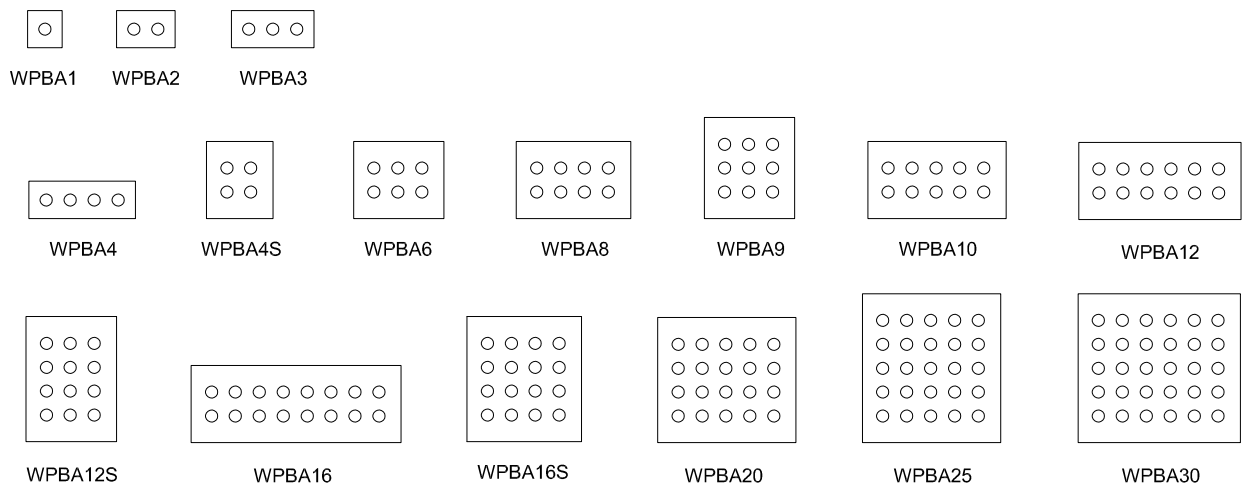
Standard 4-Way Pushbutton

VIEW X-X



SECTION Y-Y

WPBA Hole Arrangements



PB SERIES 30.5MM PUSHBUTTON ENCLOSURES NEMA 4 & 12 OPERATOR INTERFACE



PB4



PB3BC

Industry Standards

UL 508A, Type 4, 12 & 13

CSA Certified, Type 4 & 12

NEMA/EEMAC Type 4, 12 & 13



UL File E64791



CSA File LL66078

FEATURES-SPECIFICATIONS

Applications

Designed to hold all standard brands of pushbuttons, switches and pilot lights. Provides protection from dust, dirt, oil and water.

Construction

- Bodies and covers are fabricated from carbon steel
- Seams are continuously welded and ground smooth
- Closed cell oil resistant neoprene gasket

- External mounting plates at the top and bottom of enclosure
- Captivated cover screws thread into sealed wells
- Standard "4-way" pushbuttons holes accept all brands of oil-tight push buttons, switches and pilot lights
- Enclosures 7.25" x 6.25" x 3.00" and larger have internal detachable hinges to hold cover open during wiring, yet permit quick removal
- Grounding provisions are provided

Finish

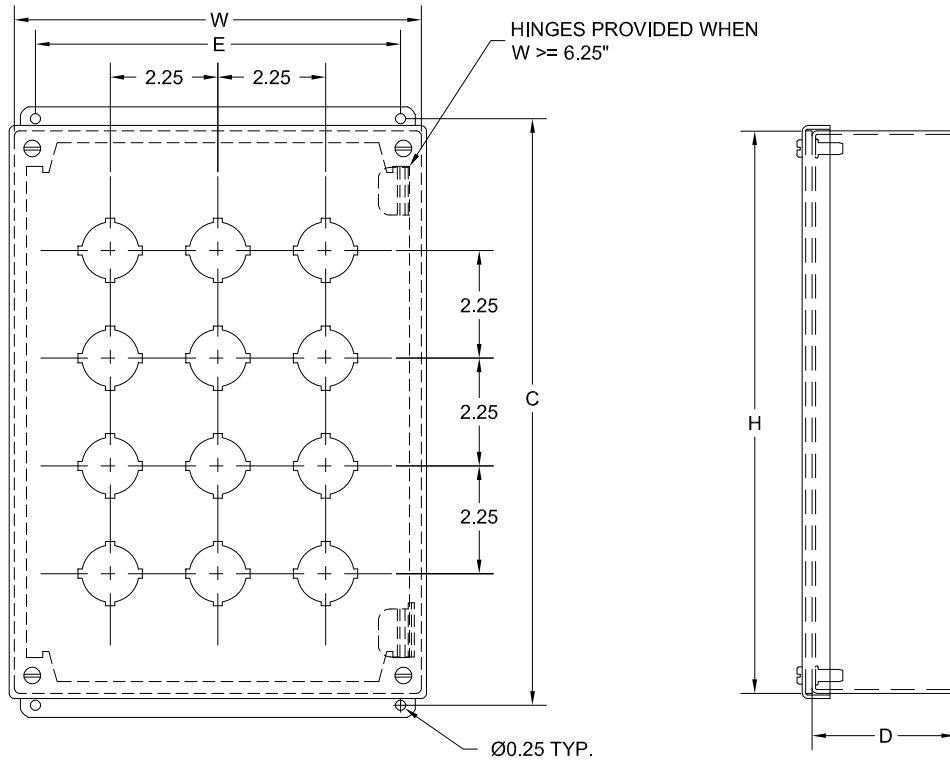
- ANSI-61 gray polyester powder inside and out

Accessories

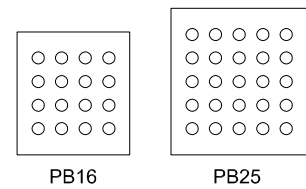
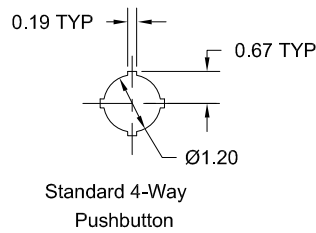
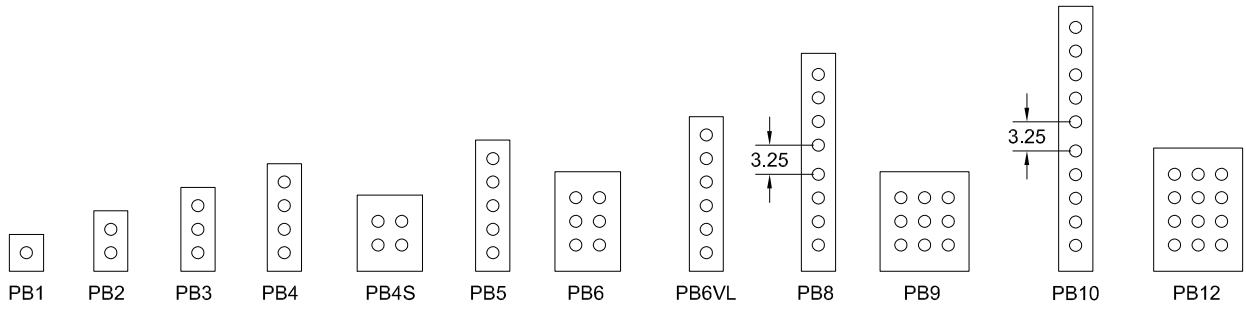
- See page E2 for stainless steel PBSS Series
- See pages L1-L24

PB SERIES OPERATOR INTERFACE 30.5MM PUSHBUTTON ENCLOSURES

Catalog Number	Blank Cover Catalog Number	Enclosure Size HxWxD	Mounting CxE
PB1	PB1BC	3.50x3.25x2.81 (89x83x71)	4.00x2.38 (102x60)
PB2	PB2BC	5.75x3.25x2.81 (146x83x71)	6.25x2.38 (159x60)
PB3	PB3BC	8.00x3.25x2.81 (203x83x71)	8.50x2.38 (216x60)
PB4	PB4BC	10.25x3.25x2.81 (260x83x71)	10.75x2.38 (273x60)
PB4S	PB4SBC	7.25x6.25x3.09 (184x159x79)	7.75x5.38 (197x137)
PB5	PB5BC	12.50x3.25x2.81 (318x83x71)	13.00x2.38 (330x60)
PB6	PB6BC	9.50x6.25x3.09 (241x159x79)	10.00x5.38 (254x137)
PB6VL	PB6VLBC	14.75x3.25x2.81 (375x83x71)	15.25x2.38 (387x60)
PB8	PB8BC	20.25x3.25x2.81 (514x83x71)	20.75x2.38 (527x60)
PB9	PB9BC	9.50x8.50x3.09 (241x216x79)	10.00x7.63 (254x194)
PB10	PB10BC	24.75x3.25x2.81 (629x83x71)	25.25x2.38 (641x60)
PB12	PB12BC	11.75x8.50x3.09 (298x216x79)	12.25x7.63 (311x194)
PB16	PB16BC	11.75x10.75x3.09 (298x273x79)	12.25x9.88 (311x251)
PB25	PB25BC	14.00x13.00x3.09 (356x330x79)	14.50x12.13 (368x308)



PB Hole Arrangements



PBGX SERIES 22.5MM PUSHBUTTON ENCLOSURES NEMA 4 & 12 OPERATOR INTERFACE



PBGX6

Industry Standards

UL 508A, Type 4, 12 & 13

CSA Certified, Type 4 & 13

NEMA/EEMAC Type 4, 12 & 13

 UL Files E64791

 CSA File LL66078

FEATURES-SPECIFICATIONS

Applications

Designed to hold all standard brands of miniature oil-tight pushbuttons, switches, and pilot lights. Provides protection from dust, dirt, oil and water.

Construction

- Bodies and covers are fabricated from carbon steel
- Seams are continuously welded and ground smooth
- Closed cell oil resistant neoprene gasket

- External mounting plates at the top and bottom of the enclosure
- Captivated cover screws thread into sealed wells
- Standard "4-way" 22mm miniature pushbutton holes accept all standard brands of miniature pushbuttons, switches and pilot lights
- Enclosures 8.50" x 5.00" x 4.25" and larger have internal detachable hinges to hold cover open during wiring, yet permit quick removal
- Grounding provisions are provided

Finish

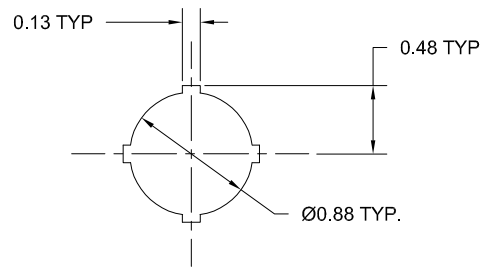
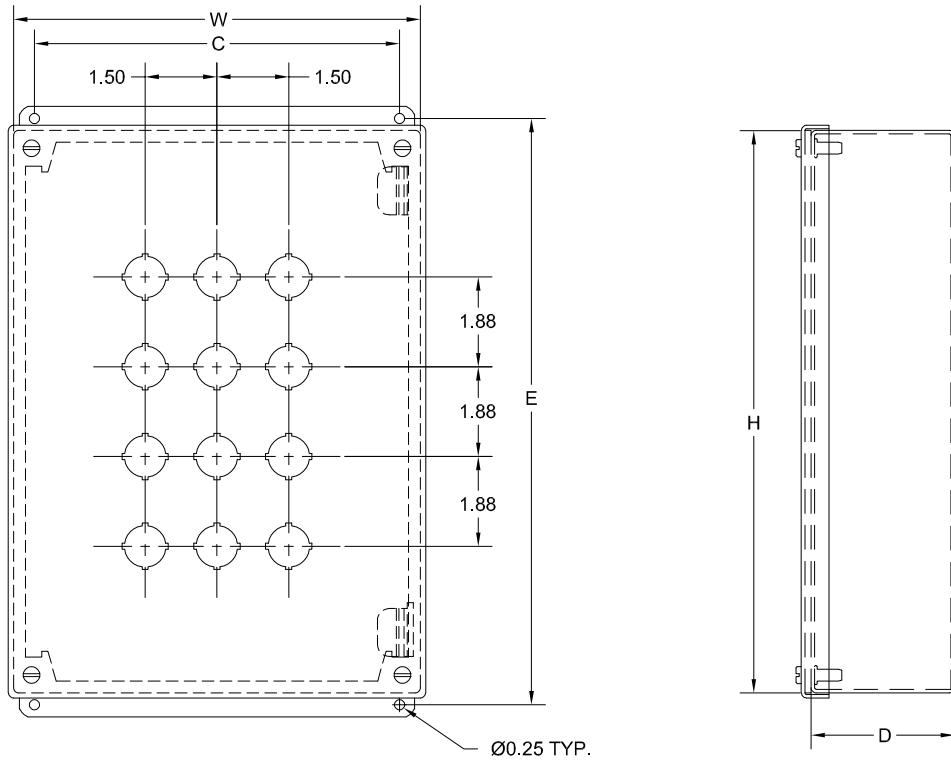
- ANSI-61 gray polyester powder inside and out

Accessories

- See pages L1-L24

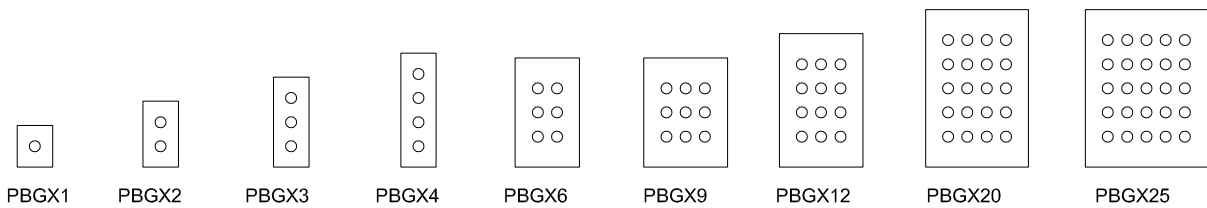
PBGX SERIES OPERATOR INTERFACE 22.5MM PUSHBUTTON ENCLOSURES

Catalog Number	Enclosure Size HxWxD	Mounting CxE	Overall LxM	F	I	A	B
PBGX1	3.25x2.75x3.50 (83x70x89)	1.88x3.75 (48x95)	4.25x3.06 (108x78)	2.50 (64)	3.09 (79)	1.53 (39)	1.78 (45)
PBGX2	5.13x2.75x3.50 (130x70x89)	1.88x5.63 (48x143)	6.13x3.06 (156x78)	2.50 (64)	3.09 (79)	1.53 (39)	1.78 (45)
PBGX3	7.00x2.75x3.50 (178x70x89)	1.88x7.50 (48x191)	8.00x3.06 (203x78)	2.50 (64)	3.09 (79)	1.53 (39)	1.78 (45)
PBGX4	8.88x2.75x3.50 (225x70x89)	1.88x9.38 (48x238)	9.88x3.06 (251x78)	2.50 (64)	3.09 (79)	1.53 (39)	1.78 (45)
PBGX6	8.50x5.00x4.25 (216x127x108)	4.13x9.00 (105x229)	9.50x5.31 (241x135)	4.75 (121)	3.84 (98)	1.91 (48)	2.53 (64)
PBGX9	8.50x6.50x4.25 (216x165x108)	5.63x9.00 (143x229)	9.50x6.81 (241x173)	6.25 (159)	3.84 (98)	1.91 (48)	2.53 (64)
PBGX12	10.38x6.50x4.25 (264x165x108)	5.63x10.88 (143x276)	11.38x6.81 (289x173)	6.25 (159)	3.84 (98)	1.91 (48)	2.53 (64)
PBGX20	12.25x8.00x4.25 (311x203x108)	7.13x12.75 (181x324)	13.25x8.31 (337x211)	7.75 (197)	3.84 (98)	1.91 (48)	2.53 (64)
PBGX25	12.25x9.50x4.25 (311x241x108)	8.63x12.75 (219x324)	13.25x9.81 (337x249)	9.25 (235)	3.84 (98)	1.91 (48)	2.53 (64)



Standard 4-Way
Miniature Pushbutton

PBGX Hole Arrangements



PBXD SERIES 30.5MM PUSHBUTTON ENCLOSURES NEMA 4 & 12 OPERATOR INTERFACE



PBXD6


Industry Standards

UL 508A, Type 4, 12 & 13

CSA Certified, Type 4 & 12

NEMA/EEMAC Type 4, 12 & 13

 UL File E64791

 CSA File LL66078

FEATURES-SPECIFICATIONS

Applications

Designed to hold 30.5mm oil-tight pushbuttons, switches, and pilot lights. Provides protection against dirt, dust, oil, and water. Extra deep design accommodates additional contact blocks for pushbuttons.

Construction

- Bodies and doors are fabricated from carbon steel
- Seams are continuously welded and ground smooth

- Closed cell oil resistant neoprene gasket
- External mounting plates at the top and bottom of the enclosure
- Captivated cover screws thread into sealed wells
- Standard "4-way" pushbuttons holes accept all brands of oil-tight push buttons, switches and pilot lights
- Enclosures 6.00" x 4.00" x 4.75" and larger have internal detachable

hinges to hold cover open during wiring, yet permit quick removal

- Grounding provisions are provided

Finish

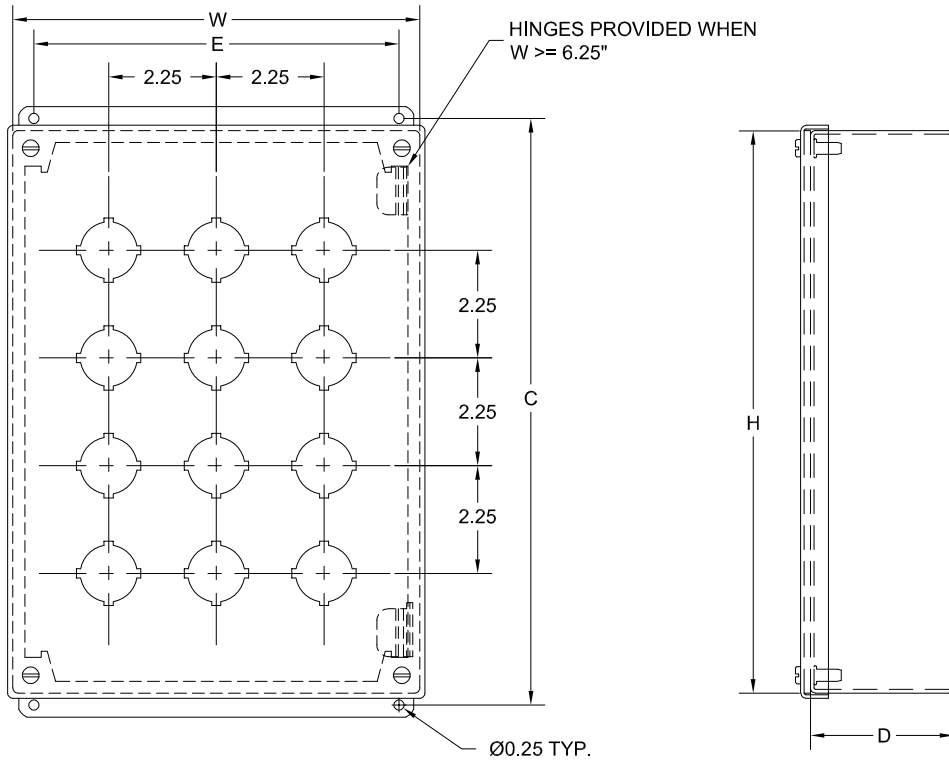
- ANSI-61 gray polyester powder inside and out over phosphatized surfaces

Accessories

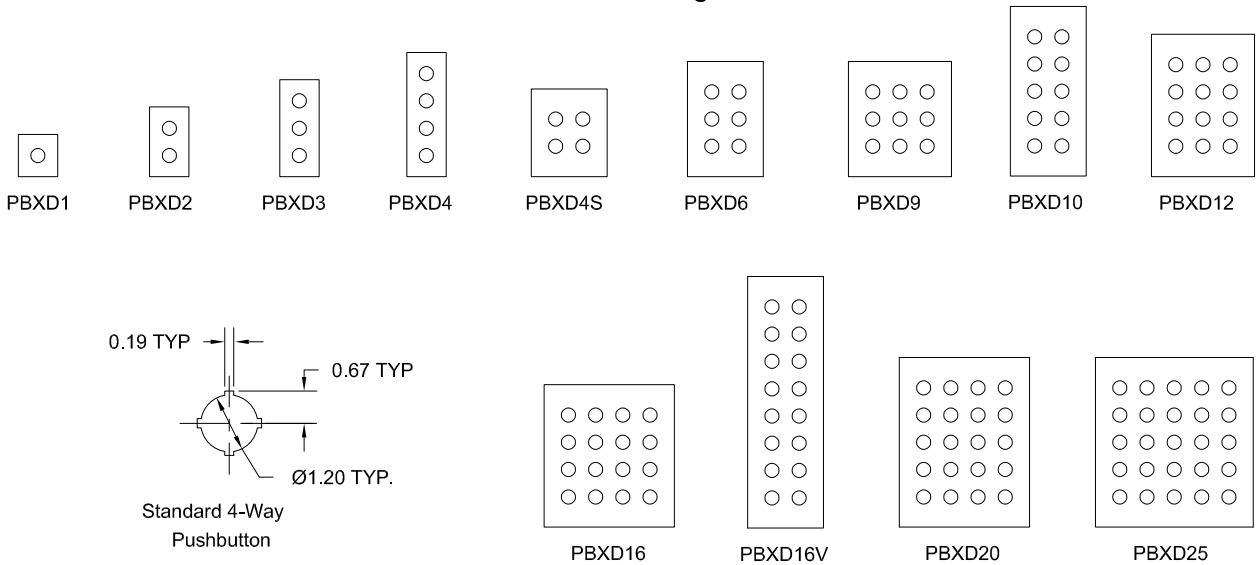
- See page E4 for stainless steel PBXDSS Series
- See pages L1-L24

PBXD SERIES OPERATOR INTERFACE 30.5MM PUSHBUTTON ENCLOSURES

Catalog Number	Enclosure Size HxWxD	Mounting CxE
PBXD1	4.00x4.00x4.81 (102x102x122)	3.13x4.50 (79x114)
PBXD2	6.00x4.00x4.81 (152x102x122)	3.13x6.50 (79x165)
PBXD3	8.00x4.00x4.81 (203x102x122)	3.13x8.50 (79x216)
PBXD4	10.00x4.00x4.81 (254x102x122)	3.13x10.50 (79x267)
PBXD4S	7.25x6.25x4.81 (184x159x122)	5.38x7.75 (137x197)
PBXD6	9.50x6.25x4.81 (241x159x122)	5.38x10.00 (137x254)
PBXD9	9.50x8.50x4.81 (241x216x122)	7.63x10.00 (194x254)
PBXD10	14.00x6.25x4.81 (356x159x122)	5.38x14.50 (137x368)
PBXD12	11.75x8.50x4.81 (298x216x122)	7.63x12.25 (194x311)
PBXD16	11.75x10.75x4.81 (298x273x122)	9.88x12.25 (251x311)
PBXD16V	20.75x6.25x4.81 (527x159x122)	5.38x21.25 (137x540)
PBXD20	14.00x10.75x4.81 (356x273x122)	9.88x14.50 (251x368)
PBXD25	14.00x13.00x4.81 (356x330x122)	12.13x14.50 (308x368)



PBXD Hole Arrangements



PSL SERIES 30.5MM PUSHBUTTON ENCLOSURES NEMA 4 & 12 OPERATOR INTERFACE



PSL4

Industry Standards

UL 508A, Type 4, 12 & 13

CSA Certified, Type 4 & 12

NEMA/EEMAC Type 4, 12 & 13

 UL Files E64791

 CSA File LL66078

FEATURES-SPECIFICATIONS

Applications

Designed to hold all standard brands of pushbuttons, switches and pilot lights. Provides protection from dust, dirt, oil and water. This "Slimline" model is designed for conditions where enclosures must fit within a very limited space.

Construction

- Bodies and covers are fabricated from carbon steel

- Seams are continuously welded and ground smooth
- Closed cell oil resistant neoprene gasket
- External mounting plates at the top and bottom of the enclosure
- Captivated cover screws thread into sealed wells
- Standard 4-way pushbutton holes accept all brands of oil-tight push-buttons, switches and pilot lights
- Grounding provisions are provided

Finish

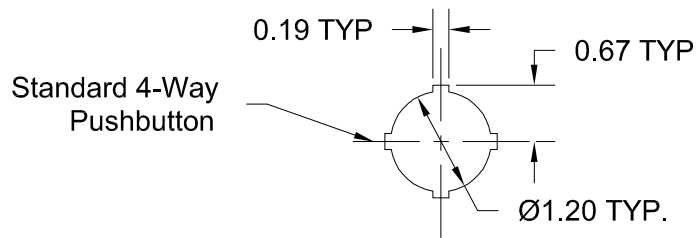
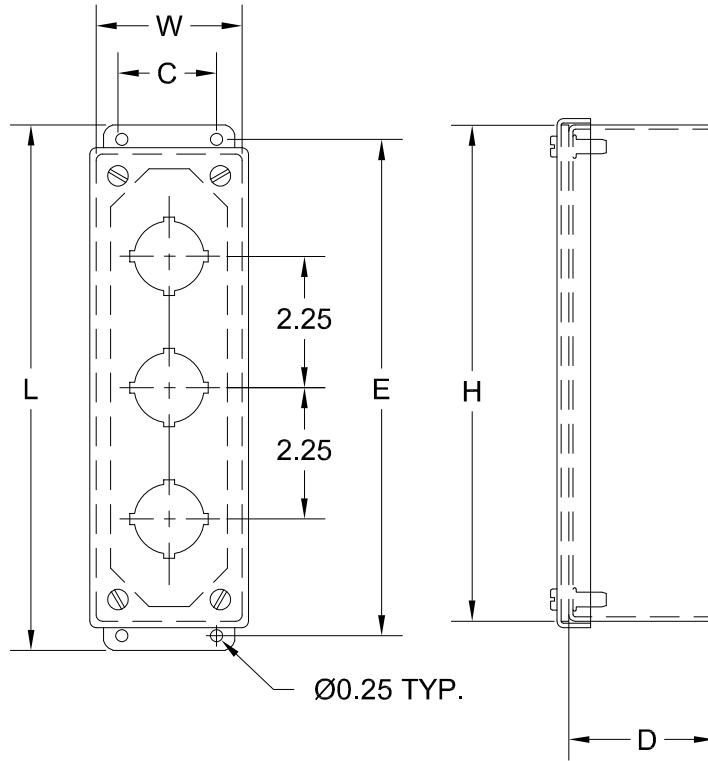
- ANSI-61 gray polyester powder inside and out

Accessories

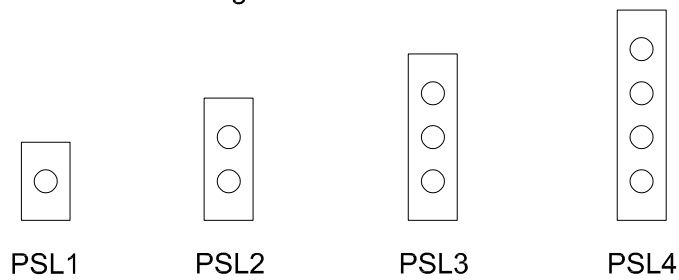
- See pages L1-L24

PSL SERIES OPERATOR INTERFACE 30.5MM PUSHBUTTON ENCLOSURES

Catalog Number	Enclosure Size HxWxD	Mounting CxE	Overall LxM	F	I
PSL1	4.00x2.50x2.50 (102x64x64)	1.63x4.50 (41x114)	5.00x2.81 (127x71)	2.25 (57)	2.09 (53)
PSL2	6.25x2.50x2.50 (159x64x64)	1.63x6.75 (41x171)	7.25x2.81 (184x71)	2.25 (57)	2.09 (53)
PSL3	8.50x2.50x2.50 (216x64x64)	1.63x9.00 (41x229)	9.50x2.81 (241x71)	2.25 (57)	2.09 (53)
PSL4	10.75x2.50x2.50 (273x64x64)	1.63x11.25 (41x286)	11.75x2.81 (298x71)	2.25 (57)	2.09 (53)



PSL Hole Arrangements



PBYX SERIES 30.5MM PUSHBUTTON ENCLOSURES NEMA 4 & 12 OPERATOR INTERFACE



PBX12

Industry Standards
UL 508A, Type 4, 12 & 13
CSA Certified, Type 4, & 12
NEMA/EEMAC Type 4, 12 & 13

 UL Files E64791

 CSA File LL66078

FEATURES-SPECIFICATIONS

Applications

Designed to hold 30.5mm oil-tight pushbuttons, switches, and pilot lights with extra size to allow 2.50" between centers of pushbutton holes. Provide protection against dirt, dust, oil, and water.

Construction

- Bodies and covers are fabricated from carbon steel
- Seams are continuously welded and ground smooth

- Continuous hinge is provided
- Back panel is included with the enclosure
- Closed cell oil resistant neoprene gasket
- External mounting plates at the top and bottom of enclosure
- Captivated cover screws thread into sealed wells
- Standard "4-way" pushbutton holes accept all brands of oil-tight push buttons, switches and pilot lights

- Grounding provisions provided

Finish

- ANSI-61 gray polyester powder inside and out
- Included back panels are painted with a white polyester powder

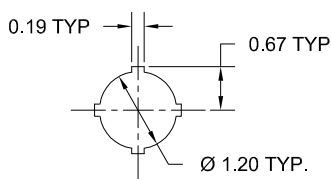
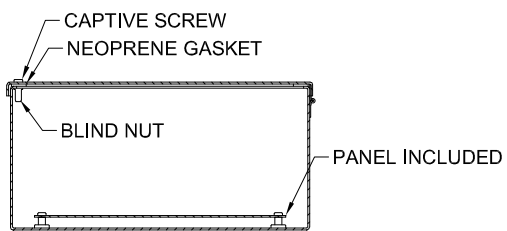
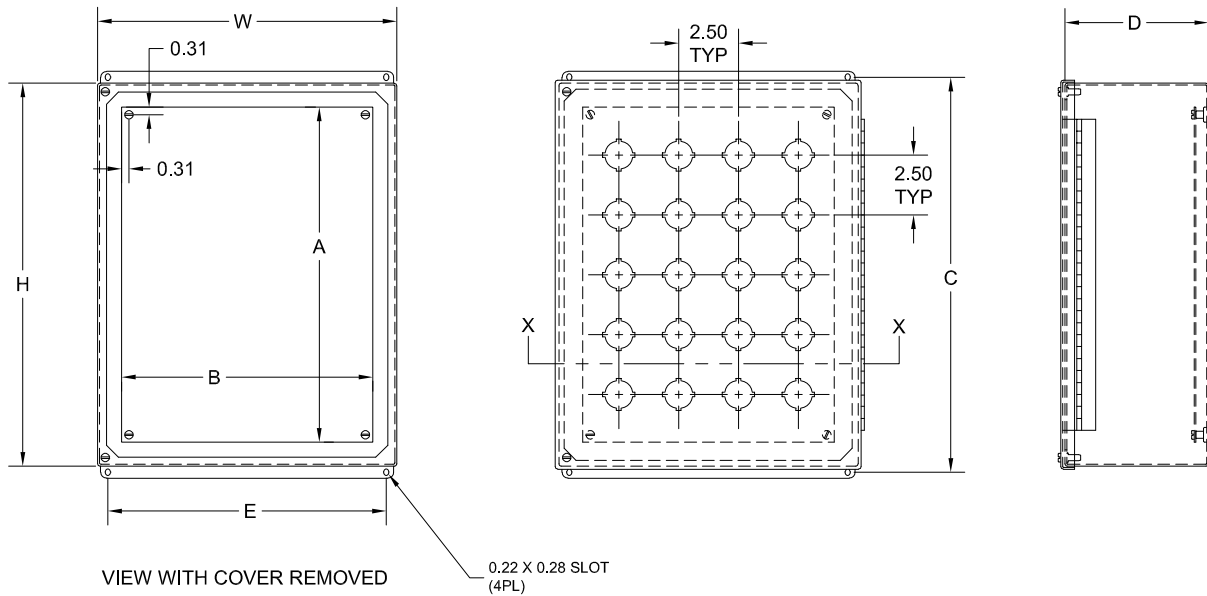
Accessories

- See pages L1-L24

PBYX SERIES OPERATOR INTERFACE 30.5MM PUSHBUTTON ENCLOSURES

Catalog Number	Enclosure Size HxWxD	Mounting CxE	Back Panel Size AxB
PBYX4S	8.50x7.50x6.00 (216x191x152)	9.00x6.50 (229x165)	6.50x5.50 (165x140)
PBYX6	11.00x7.50x6.00 (279x191x152)	11.50x6.50 (292x165)	9.00x5.50 (229x140)
PBYX9	11.00x10.00x6.00 (279x254x152)	11.50x9.00 (292x229)	9.00x8.00 (229x203)
PBYX12	13.50x10.00x6.00 (343x254x152)	14.00x9.00 (356x229)	11.50x8.00 (292x203)
PBYX16	13.50x12.50x6.00 (343x318x152)	14.00x11.50 (356x292)	11.50x10.50 (292x267)
PBYX20	16.00x12.50x6.00 (406x318x152)	16.50x11.50 (419x292)	14.00x10.50 (356x267)
PBYX25	16.00x15.00x6.00 (406x381x152)	16.50x14.00 (419x356)	14.00x13.00 (356x330)
PBYX30	18.50x15.00x6.00 (470x381x152)	19.00x14.00 (483x356)	16.50x13.00 (419x330)
PBYX36	18.50x17.50x6.00 (470x445x152)	19.00x16.50 (483x419)	16.50x15.50 (419x394)
PBYX42	21.00x17.50x6.00 (533x445x152)	21.50x16.50 (546x419)	19.00x15.50 (483x394)

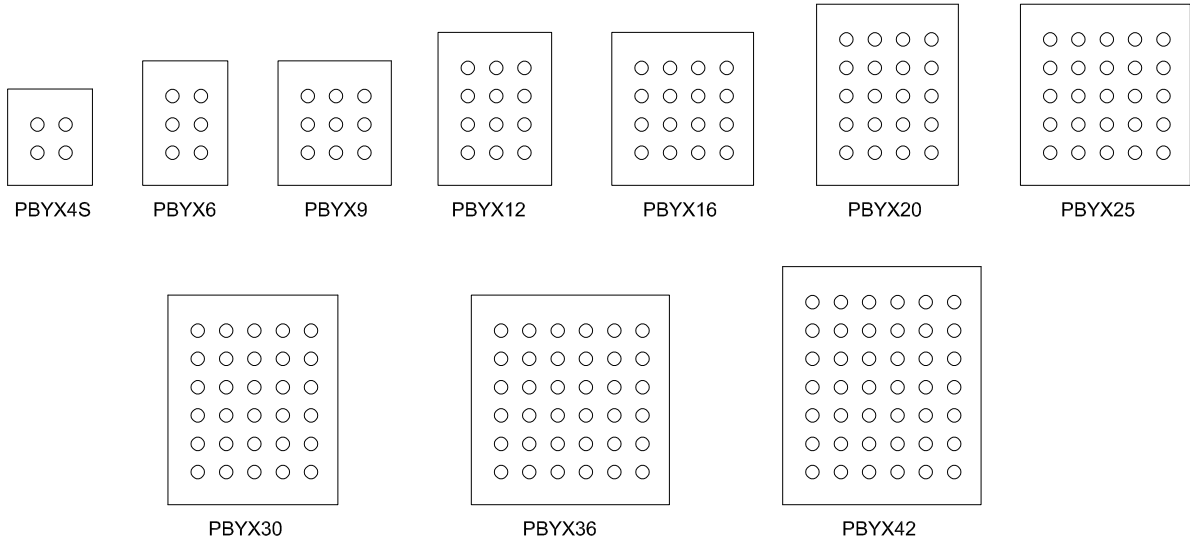
*Back panels included with enclosure.



Standard 4-Way Pushbutton

SECTION X-X

PBYX Hole Arrangements



Section J Index

DN412 Series

Flanged and Surface Type Enclosures.....J6

DFNP, NP, DF Series

"L" Shaped Back Panel, Standard Back Panel, Allen Bradley Drive Plates & Blank PlatesJ7

DSNF and DTSF Series

Schneider and Toshiba Drive Plates.....J8

D Series

AC and Heat Exchanger PlatesJ9

DFNCVP,D3R, DHMIN, DWHD DWA and DWTTUP Series

Drive Fan, Filter & Louver plate, Door HMI Plate, Weather Hood, Blank Adapter & Touch up paintJ10

DRIVE ENCLOSURES





Carbon Steel with HMI




Stainless Steel with HMI

Industry Standards

UL 508A & 508E, Types 4/4X, 12, 3R
 CSA Certified, Types 4/4X, 12, 3R
 NEMA/EEMAC Types 4/4X, 12, 3R

 UL Fi I e E64791

 CSA Fi I e LL66078

 Recognized Accessories

FEATURES-SPECIFICATIONS

Applications

Ultimate Drive Enclosures from Wiegmann are designed to control the environment that surrounds the Variable Frequency Drive Motor. For use where dirt, dust, oil, water or other contaminants are present, including NEMA 3R and NEMA 4 (hose-down) requirements.

Typical applications include:

- Industrial and Commercial Facilities
- Municipal Infrastructure
- Data Centers
- Irrigation Systems & Pumping Stations
- Water Treatment Plants
- VFD's requiring a wide horsepower range (1-350 HP)

Features/Benefits

- Exchanging/Fan System), reduces long term operating cost
- Extended range of Temperature Control with just 3 drive enclosure sizes
- UL recognized mounting plates designed for field installation
- Interchangeable Plate System with future adaptability
- Closed Loop System permits high HP drive applications to be used in smaller size enclosure
- System accommodates Allen-Bradley® 750 Series drives plus other manufacturer's drives
- Human-Machine Interface (HMI) interaction

- Built-in Disconnect for short circuit protection
- 80 to 115 Degree F ambient temperature operating range
- Interior and exterior of enclosure with white reflective powder coating provides additional heat reduction
- Sizing Software Program matches user specific needs to exact environmental/enclosure requirements

Construction

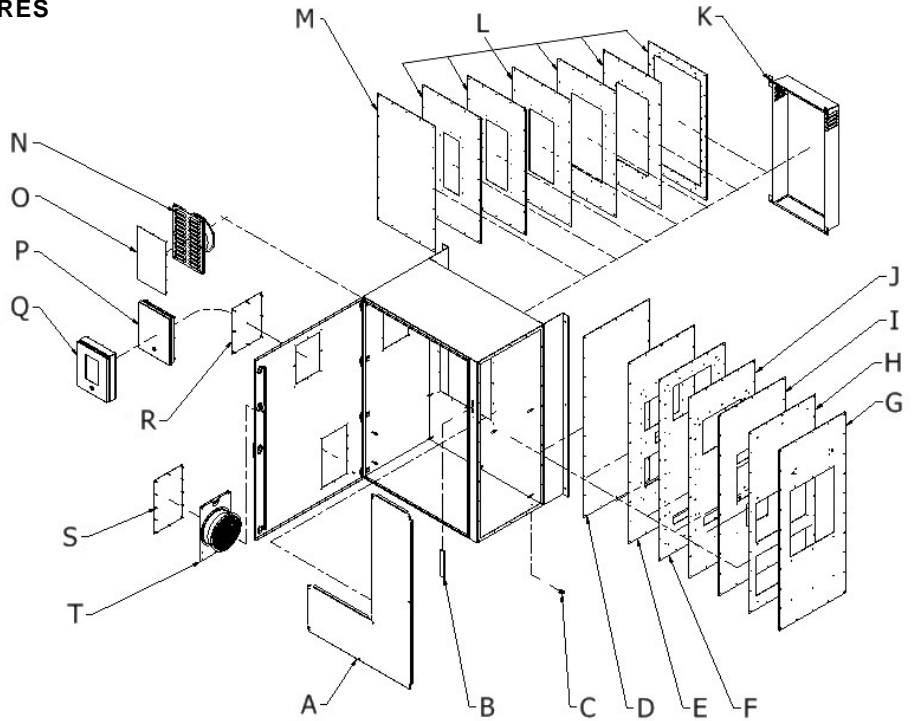
- Enclosure bodies and doors fabricated from 14 gauge carbon steel with 10 gauge side plates and drive plates
- Available in 304 or 316 Stainless Steel
- Continuously welded seams ground smooth and painted
- Grounding studs welded to the door and body assuring a positive ground
- Flange type VFD enclosure mounting brackets of 10 gauge steel
- Surface type VFD enclosures have standard N412C style mounting holes
- Collar studs provided for optional back panel
- Doors sealed with foam-in-place gasket and are provided with 3 point keylocking/padlocking combination handle
- Integral print pocket and hole seal for weep hole application

Finish

- Interior/Exterior of enclosures with white textured paint to reflect and reduce heat
- Factory installed back panels are unpainted galvanized steel for conductive finish
- Accessory drive plates, AC & heat exchanger plates, blank fan plates, louver plates and HMI enclosures finished in white to match enclosure
- Stainless Steel enclosures with stock brushed finish or white powder coat over SS available.
- Back Panels (L Style and Full)
- Weather Hood in 3 sizes
- Drive Plates for Allen Bradley and other VFD brands
- AC/Heat Exchanger Plates for sidewall mounting of Environmental Control
- Blank Cover Plates available for all enclosure openings
- N412MFK Mounting Foot Kit for surface mount enclosures (N412MFKSS for SS)
- HMI Enclosures for flange and surface mounted enclosures
- Fans, Filters & Louver Plate assemblies
- All mounting hardware and gasketing included with accessories.

VFD FLANGED STYLE ENCLOSURES

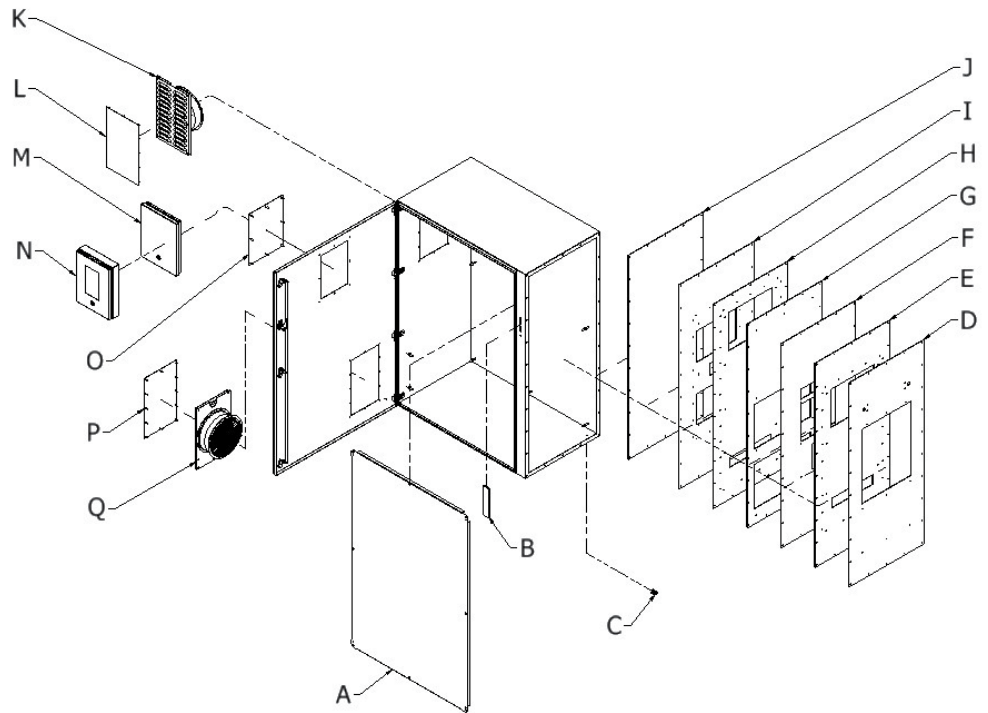
- A. L-Shaped Drive Sub Panel
- B. Blank Adapter/Sealing Plate
- C. NEMA 4 Hole Seal
- D. Blank Adapter Plate
- E. Adapter Plate for Heat Exchanger
- F. Adapter Plate for AC Unit (3,000 BTU)
- G. Adapter Plate for AC Unit (5,000 BTU)
- H. Adapter Plate for AC Unit (14,000 BTU)
- I. Adapter Plate for Heat Exchanger
- J. Adapter Plate for Heat Exchanger
- K. Drive Weather Hood
- L. Pre Punched Adapter Plates for Multiple VFD Brands
- M. Blank Drive Adapter Plate
- N. NEMA 3R Fan Kit (for Intake or Exhaust)
- O. Fan Cutout Sealing Plate (for Enclosure)
- P. NEMA 3R HMI Enclosure
- Q. NEMA 4 HMI Enclosure
- R. HMI Cutout Sealing Plate
- S. Fan Cutout Sealing Plate (for Door)
- T. NEMA 3R Fan Kit (for Intake or Exhaust)



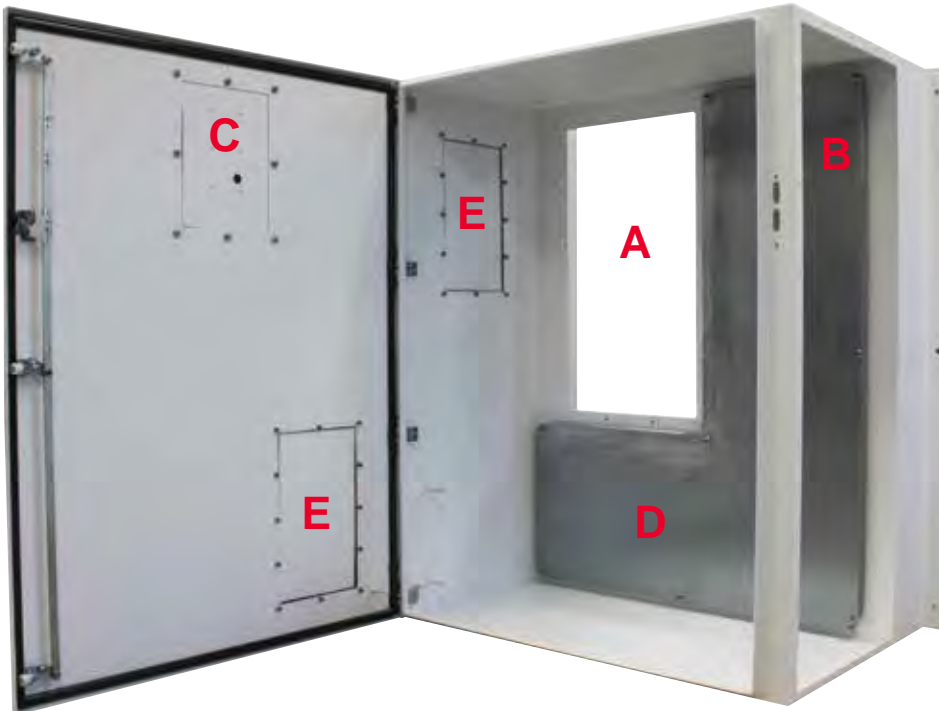
Black denotes standard with drive enclosure.
 Red optional.

VFD SURFACE STYLE ENCLOSURES

- A. Drive Sub Panel
- B. Blank Adapter/Sealing Plate
- C. NEMA 4 Hole Seal
- D. Adapter Plate for AC Unit (14,000 BTU)
- E. Adapter Plate for AC Unit (3,000 BTU)
- F. Adapter Plate for AC Unit (5,000 BTU)
- G. Adapter Plate for Heat Exchanger
- H. Adapter Plate for Heat Exchanger
- I. Adapter Plate for Heat Exchanger
- J. Blank Adapter Plate
- K. NEMA 3R Fan Kit (for Intake or Exhaust)
- L. Fan Cutout Sealing Plate (for Enclosure)
- M. NEMA 12 HMI Enclosure
- N. NEMA 4 HMI Enclosure
- O. HMI Cutout Sealing Plate
- P. Fan Cutout Sealing Plate (for Door)
- Q. NEMA 3R Fan Kit (for Intake or Exhaust)



Black denotes standard w/ drive enclosure.
 Red optional.



- L - Shaped subpanel with Allen-Bradley® Drive installed.
 - Enclosure shown with cooling unit mounted to right side.
- *Allen-Bradley® Copyright of Rockwell Automation.

- A** - Opening for flange type enclosure houses multiple sized (flange mounted) VFD's that extend through the back
- B** - Opening for A/C or heat exchanger unit provides 'closed loop' system
- C** - Enclosure door designed for HMI capability
- D** - "L" Shaped subpanel allows installation of flange style VFD's and associated components
- E** - Opening for open loop fan system

Versatile, Interchangeable & Temp Control



The Flange Drive Enclosure for external drive motor application. The external drive keeps excess heat on the outside of the cabinet and allows for more useable internal space.



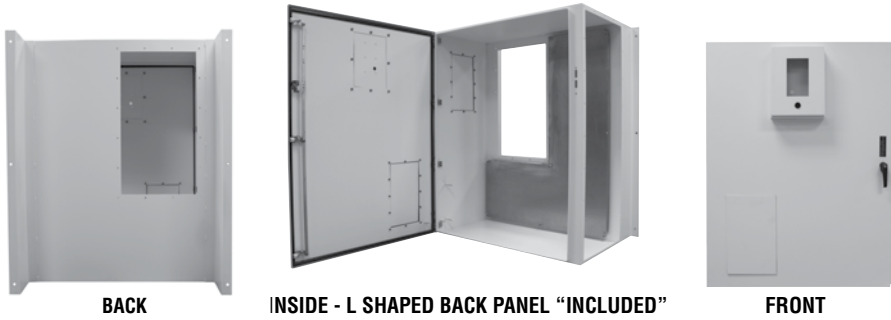
HMI available as optional accessory on Flange and Surface Mounted Drives.



The Surface Mount Drive Enclosure for internal drive motor application. The internal drive mounts directly to back panel of cabinet

Flange Type Enclosures

House Multiple Sized (flange mounted) VFDs that extend through the back.



Current Available Drive Plate Brands

- Allen - Bradley
- Schneider
- Toshiba
- Brands to Follow - ABB and Siemens

DN412CDF SERIES SINGLE DOOR ENCLOSURES

Catalog Number	Body/Door Steel Gauge	Enclosure Size HxWxD	L Style Back Panel Catalog Number	L Type Back Panel Size	Number of Hinges	Mounting Style	Paint Color
DN412363816CDF*†	14/14	36.00 x 38.00 x 16.38 (914 x 965 x 416)	DFNP3636CG	34.2 x 34.2 (869 x 869)	3	FLANGE MTG BRACKETS	WHITE TEXTURE
DN412483819CDF*†	14/14	48.00 x 38.00 x 19.25 (1219 x 965 x 489)	DFNP4836CG	46.2 x 34.2 (1173 x 869)	4	FLANGE MTG BRACKETS	WHITE TEXTURE
DN412523822CDF*†	14/14	52.00 x 38.00 x 22.00 (1321 x 965 x 559)	DFNP5236CG	50.2 x 34.2 (1275 x 869)	4	FLANGE MTG BRACKETS	WHITE TEXTURE

* Add Suffix SS for Grained Stainless Steel
 † Consult Factory for 316 Stainless Steel

Surface Type Enclosures

House Multiple Sized (surface internally mounted) VFDs



DN412CDS SERIES SINGLE DOOR ENCLOSURES

Catalog Number	Body/Door Steel Gauge	Enclosure Size HxWxD	L Style Back Panel Catalog Number	L Type Back Panel Size	Number of Hinges	Mounting Style	Paint Color
DN412363816CDS*†	14/14	36.00 x 38.00 x 16.38 (914 x 965 x 416)	NP3636CG	34.2 x 34.2 (869 x 869)	3	MOUNTING HOLES	WHITE TEXTURE
DN412483819CDS*†	14/14	48.00 x 38.00 x 19.25 (1219 x 965 x 489)	NP4836CG	46.2 x 34.2 (1173 x 869)	4	MOUNTING HOLES	WHITE TEXTURE
DN412523822CDS*†	14/14	52.00 x 38.00 x 22.00 (1321 x 965 x 559)	NP5236CG	50.2 x 34.2 (1275 x 869)	4	MOUNTING HOLES	WHITE TEXTURE

* Add Suffix SS for Grained Stainless Steel
 † Consult Factory for 316 Stainless Steel

ULTIMATE DRIVE ENCLOSURES

"L" SHAPED DRIVE ENCLOSURE BACK PANELS

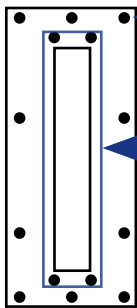
Catalog Number	Steel Gauge	Description	L Type Back Panel Size	Galvanized
DFNP3636CG	12	"L" SHAPED GALVANIZED PANEL	34.2X34.2 (869X869)	NO PAINT
DFNP4836CG	12	"L" SHAPED GALVANIZED PANEL	46.2X34.2 (1173X869)	NO PAINT
DFNP5236CG	12	"L" SHAPED GALVANIZED PANEL	50.2X34.2 (1275X869)	NO PAINT

STANDARD DRIVE ENCLOSURE BACK PANELS

Catalog Number	Steel Gauge	Description	L Type Back Panel Catalog Number	Galvanized
NP3636CG	12	STD GALVANIZED FLANGED PANEL	34.2X34.2 (869X869)	NO PAINT
NP4836CG	12	STD GALVANIZED FLANGED PANEL	46.2X34.2 (1173X869)	NO PAINT
NP5236CG	12	STD GALVANIZED FLANGED PANEL	50.2X34.2 (1275X869)	NO PAINT

Drive Plates

The standardized pattern allows for an interchangeable system to accommodate many manufacturers VFDs.



Standardized Punch Pattern For Bolting to Enclosure

Punch Pattern Installed for Specific VFD with Heat Sink

Blank Plates Available for Custom Installations

Wiegmann Ultimate® Drive Selector Software

The selector software makes it easy to match specific user needs to exact environmental and enclosure requirements.

GO TO
www.hubbell-wiegmann.com
FOR SIZING SOFTWARE

ALLEN-BRADLEY® ACCESSORY DRIVE PLATES* & BLANK PLATES**

Carbon Steel Catalog Number	Stainless Steel† Catalog Number	Description	HP/Punching	750 Allen Bradley Series
DF36CVP	DF36CVPSS	BLANK DRIVE PLATE	BLANK (includes mounting holes)	**See Note Below
DF36CVPF2	DF36CVPF2SS	DRIVE FRAME SIZE 2	1-15HP	750 AC DRIVE (AB)
DF48CVP	DF48CVPSS	BLANK DRIVE PLATE	BLANK (includes mounting holes)	**See Note Below
DF48CVPF2	DF48CVPF2SS	DRIVE FRAME SIZE 2	1-15HP	750 AC DRIVE (AB)
DF48CVPF3	DF48CVPF3SS	DRIVE FRAME SIZE 3	20-30HP	750 AC DRIVE (AB)
DF48CVPF4	DF48CVPF4SS	DRIVE FRAME SIZE 4	40-50HP	750 AC DRIVE (AB)
DF48CVPF5	DF48CVPF5SS	DRIVE FRAME SIZE 5	60-70HP	750 AC DRIVE (AB)
DF48CVPF6	DF48CVPF6SS	DRIVE FRAME SIZE 6	100-150HP	750 AC DRIVE (AB)
DF52CVP	DF52CVPSS	BLANK DRIVE PLATE	BLANK (includes mounting holes)	**See Note Below
DF52CVPF2	DF52CVPF2SS	DRIVE FRAME SIZE 2	1-15HP	750 AC DRIVE (AB)
DF52CVPF3	DF52CVPF3SS	DRIVE FRAME SIZE 3	20-30HP	750 AC DRIVE (AB)
DF52CVPF4	DF52CVPF4SS	DRIVE FRAME SIZE 4	40-50HP	750 AC DRIVE (AB)
DF52CVPF5	DF52CVPF5SS	DRIVE FRAME SIZE 5	60-70HP	750 AC DRIVE (AB)
DF52CVPF6	DF52CVPF6SS	DRIVE FRAME SIZE 6	100-200HP	750 AC DRIVE (AB)
DF52CVPF7	DF52CVPF7SS	DRIVE FRAME SIZE 7	250-350HP	750 AC DRIVE (AB)

*Stock Drive Plate accommodates Allen-Bradley PowerFlex 750 Series AC Drives

**Blank Plate available which can be modified for use with other brands.

†Consult factory for 316 stainless steel

ULTIMATE DRIVE ENCLOSURES

SCHNEIDER* ACCESSORY DRIVE PLATES**

Carbon Steel Catalog Number	Stainless Steel† Catalog Number	Description	HP/Punching	Schieder Driver Series
DSNF48CVPF5B	DSNF48CVPF5BSS	48" SCHNEIDER DRIVE PLATE	20-25HP	ATV71 / ATV61
DSNF48CVPF6	DSNF48CVPF6SS	48" SCHNEIDER DRIVE PLATE	30HP	ATV71 / ATV61
DSNF48CVPF5A	DSNF48CVPF5ASS	48" SCHNEIDER DRIVE PLATE	15HP	ATV71 / ATV61
DSNF48CVPF4	DSNF48CVPF4SS	48" SCHNEIDER DRIVE PLATE	7.5-10HP	ATV71 / ATV61
DSNF48CVPF3	DSNF48CVPF3SS	48" SCHNEIDER DRIVE PLATE	4-5HP	ATV71 / ATV61
DSNF48CVPF2	DSNF48CVPF2SS	48" SCHNEIDER DRIVE PLATE	1-3HP	ATV71 / ATV61
DSNF52CVPF2	DSNF52CVPF2SS	52" SCHNEIDER DRIVE PLATE	1-3HP	ATV71 / ATV61
DSNF52CVPF3	DSNF52CVPF3SS	52" SCHNEIDER DRIVE PLATE	4-5HP	ATV71 / ATV61
DSNF52CVPF4	DSNF52CVPF4SS	52" SCHNEIDER DRIVE PLATE	7.5-10HP	ATV71 / ATV61
DSNF52CVPF5A	DSNF52CVPF5ASS	52" SCHNEIDER DRIVE PLATE	15HP	ATV71 / ATV61
DSNF52CVPF5B	DSNF52CVPF5BSS	52" SCHNEIDER DRIVE PLATE	20-25HP	ATV71 / ATV61
DSNF52CVPF6	DSNF52CVPF6SS	52" SCHNEIDER DRIVE PLATE	30HP	ATV71 / ATV61
DSNF52CVPF7A	DSNF52CVPF7ASS	52" SCHNEIDER DRIVE PLATE	40-50HP	ATV71 / ATV61
DSNF52CVPF8	DSNF52CVPF8SS	52" SCHNEIDER DRIVE PLATE	60-100HP	ATV71 / ATV61
DSNF52CVPF9	DSNF52CVPF9SS	52" SCHNEIDER DRIVE PLATE	125-150HP	ATV71 125HP Only /ATV61 125-150HP

*Stock Drive Plates above accommodate Schneider Drives ATV 71 & 61 without choke.

**Blank Plate available which can be modified for use with other brands.

†Consult factory for 316 stainless steel

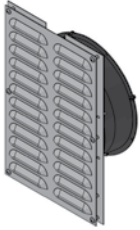
TOSHIBA ACCESSORY DRIVE PLATES**

Carbon Steel Catalog Number	Stainless Steel† Catalog Number	Description	HP(kW)/Punching	Voltage
DTSF48CVPF2	DTSF48CVPF2SS	48" DRIVE PLATE -TOSVERT VFAS1	0.5 - 2HP (0.37 - 1.5)	230
			1 - 3HP (0.75 - 2.2)	460
DTSF48CVPF3	DTSF48CVPF3SS	48" DRIVE PLATE -TOSVERT VFAS1	3 - 5HP (2.2 - 4)	230
			5HP (4)	460
DTSF48CVPF4	DTSF48CVPF4SS	48" DRIVE PLATE -TOSVERT VFAS1	7.5HP (5.5)	230
			7.5 - 10HP (5.5 - 7.5)	460
DTSF48CVPF5A	DTSF48CVPF5ASS	48" DRIVE PLATE -TOSVERT VFAS1	10HP (7.5)	230
			15HP (11)	460
DTSF48CVPF5B	DTSF48CVPF5BSS	48" DRIVE PLATE -TOSVERT VFAS1	15 - 20HP (11 - 15)	230
			20 - 25HP (15 - 18)	460
DTSF48CVPF6	DTSF48CVPF6SS	48" DRIVE PLATE -TOSVERT VFAS1	25 - 30HP (18 - 22)	230
			30HP (22)	460
DTSF52CVPF2	DTSF52CVPF2SS	52" DRIVE PLATE -TOSVERT VFAS1	0.5 - 2HP (0.37 - 1.5)	230
			1 - 3HP (0.75 - 2.2)	460
DTSF52CVPF3	DTSF52CVPF3SS	52" DRIVE PLATE -TOSVERT VFAS1	3 - 5HP (2.2 - 4)	230
			5HP (4)	460
DTSF52CVPF4	DTSF52CVPF4SS	52" DRIVE PLATE -TOSVERT VFAS1	7.5HP (5.5)	230
			7.5 - 10HP (5.5 - 7.5)	460
DTSF52CVPF5A	DTSF52CVPF5ASS	52" DRIVE PLATE -TOSVERT VFAS1	10HP (7.5)	230
			15HP (11)	460
DTSF52CVPF5B	DTSF52CVPF5BSS	52" DRIVE PLATE -TOSVERT VFAS1	15 - 20HP (11 - 15)	230
			20 - 25HP (15 - 18)	460
DTSF52CVPF6	DTSF52CVPF6SS	52" DRIVE PLATE -TOSVERT VFAS1	25 - 30HP (18 - 22)	230
			30HP (22)	460
DTSF52CVPF7A	DTSF52CVPF7ASS	52" DRIVE PLATE -TOSVERT VFAS1	40 - 50HP (30 - 37)	460
DTSF52CVPF7B	DTSF52CVPF7BSS	52" DRIVE PLATE -TOSVERT VFAS1	40 - 60HP (30 - 45)	230
DTSF52CVPF9	DTSF52CVPF9SS	52" DRIVE PLATE -TOSVERT VFAS1	60 - 100HP (45 - 75)	460

**Blank Plate available which can be modified for use with other brands.

†Consult factory for 316 stainless steel

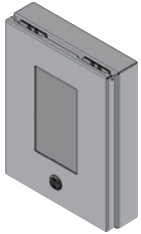
ULTIMATE DRIVE ENCLOSURES



DRIVE FAN, FILTER & LOUVER PLATE ASSEMBLIES

Catalog Number	Body/Door Steel Gauge	Description	Hood Size	Paint Color
DFNCVP*†	10	BLANK FAN CUTOUT COVER PLATE	15.31 X 9.50	WHITE TEXTURE
D3R10FN*†	N/A	FAN, FILTER, LOUVER ASSEMBLY	15.31 X 9.50 LOUVER	WHITE TEXTURE
D3RFN*†	N/A	FILTER & LOUVER ASSEMBLY ONLY	15.31 X 9.50 LOUVER	WHITE TEXTURE

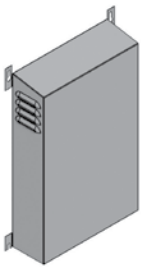
* Add Suffix SS for Grained Stainless Steel
 † Consult Factory for 316 Stainless Steel



DOOR HMI PLATE & ENCLOSURES

Catalog Number	Body/Door Steel Gauge	Description	Hood Size	Paint Color
DHMICVP*†	10	BLANK HMI COVER PLATE	13.00 X 10.00 (330 X 254)	WHITE TEXTURE
DHMIN3R*†	14	N12/3R DOOR HMI ENCLOSURE	13.00 X 10.00 X 1.63 (330 X 254 X 41)	WHITE TEXTURE
DHMIN4*†	14	N4 DOOR HMI ENCLOSURE	13.00 X 10.00 X 2.00 (330 X 254 X 51)	WHITE TEXTURE

* Add Suffix SS for Grained Stainless Steel
 † Consult Factory for 316 Stainless Steel



N3R-DRIVE WEATHER HOOD

Catalog Number	Body/Door Steel Gauge	Description	Hood Size HxWxD	Paint Color
D36WHD*†	10	36" WEATHER HOOD	21.75 x 10.91 x 5	WHITE TEXTURE
D48WHD*†	14	48" WEATHER HOOD	30.25 x 17.41 x 5	WHITE TEXTURE
D52WHD*†	14	52" WEATHER HOOD	36.25 x 19.41 x 5	WHITE TEXTURE

* Add Suffix SS for Grained Stainless Steel
 † Consult Factory for 316 Stainless Steel



BLANK ADAPTER / SEALING PLATE

Catalog Number	Description	Size H x W x D	Finish
DWA3456BAP*†	BLANK ADAPTER / SEALING PLATE	1.25 X 2.75	WHITE TEXTURE

* Add Suffix SS for Grained Stainless Steel
 † Consult Factory for 316 Stainless Steel



DRIVE ENCLOSURE TOUCH UP PAINT

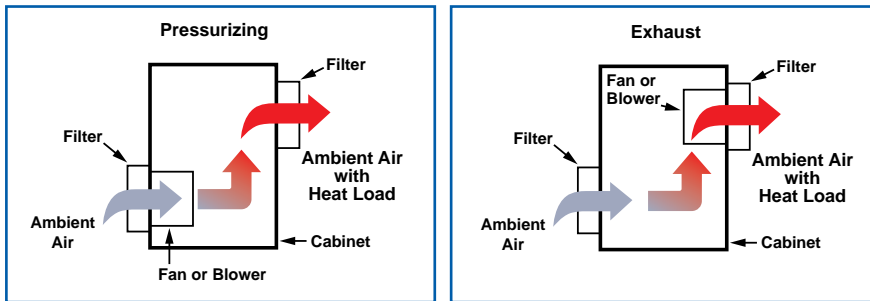
Catalog Number	Description	Quantity	Paint Color
DWTTUP	TOUCH-UP PAINT DRIVE ENCLOSURE TEXTURE	12 OZ. SPRAY CAN	WHITE TEXTURE

ENCLOSURE ENVIRONMENTAL CONTROL

When components made to perform electro-technical tasks are confined within an enclosure, the topic of heat loss should be considered. Fluctuations in ambient temperatures and environmental conditions can considerably reduce the service life of electronic components.

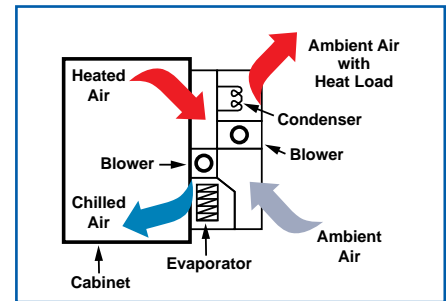
BASIC COOLING METHODS

FORCED-AIR FAN COOLING



If the installation will be in a clean, non-hazardous environment with an acceptable ambient (outside the enclosure) temperature range, a simple forced-air cooling system utilizing outside air is usually adequate. Combined with an air filter, such devices generally meet the heat removal needs of typical electronic equipment and many electrical applications.

CLOSED-LOOP AC COOLING



Used for more demanding temperature and hazardous environments. Closed-loop cooling consists of two separate circulation systems. One system seals out the ambient air and recirculates clean cool air throughout the enclosure. The second system uses ambient air or water to remove and discharge the heat.

YOU CAN PUT IT ALL TOGETHER FROM STOCK!

Wiegmann Ultimate® Drive Selector Software

The selector software makes it easy to match specific user needs to exact environmental and enclosure requirements.

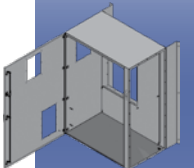





Selecting attributes generates an **'Ordering Code'** that is provided to a Wiegmann Representative or directly to the factory.

The Ordering Code is then translated to: DRIVE SYSTEM PART NUMBERS & BILL OF MATERIALS, with PRICING provided and ENGINEERED DRAWINGS if required.

GO TO
www.hubbell.com/wiegmann/en
FOR SIZING SOFTWARE

Drive Power (HP):	125
Mounting Type:	<input type="radio"/> Surface <input checked="" type="radio"/> Flange
Location:	<input checked="" type="radio"/> Outdoor <input type="radio"/> Indoor
Rating:	<input type="radio"/> NEMA 3E <input checked="" type="radio"/> NEMA 4
System:	<input type="radio"/> Open <input checked="" type="radio"/> Closed
Ambient Temp:	110
Internal Temp:	104
Line Reactors:	2
Transformer, VA:	100
HMI:	<input checked="" type="radio"/> Yes <input type="radio"/> No
Hood:	<input checked="" type="radio"/> Yes <input type="radio"/> No
Heater:	<input type="radio"/> Yes <input checked="" type="radio"/> No
<input type="button" value="Generate Code"/>	
Ordering Code: D-34-48-F-CT150-2L8123HP-A110-0104-HMP-HOOD-480-3KAC	

QUICK LOCATOR TO PRODUCTS IN THIS DOCUMENT & WEB

<p>DRIVE ENCLOSURE</p>  <p>Flange Mount Page J? Surface Mount Page J?</p>	+	<p>BACK PANEL</p>  <p>"L" and Standard Back Panels Page J? <i>"Exclusively Included with Enclosure"</i></p>	+	<p>DRIVE PLATE</p>  <p>Accessory Drive Plates Page J?</p>	+	<p>AC PLATE or FAN APPLICATION</p>  <p>Flange Mount Page J? (Drive Selector Software)</p>	+	<p>HMI ENCLOSURE OPTION</p>  <p>Operator Interface Page J? Stainless Steel Available</p>	+	<p>WEATHER HOOD</p>  <p>Flange Type Drive Protection Page J?</p>
---	---	---	---	---	---	---	---	--	---	--

Section K Index

P, PG, PSS, PAL Series

Panels for JIC Enclosures K2

N1P, N1PPP Series

Panels (Solid & Perforated) for
Small NIC & RHC Enclosures K3

NP, NPG, NPSS, ALNP, NPPP Series

Panels (Solid & Perforated) for
NEMA 1, 3R, 12, 4 & 4X Wall-Mounts K4

NPC, NPCG, NPSSC Series

Panels for ULTIMATE Enclosures K5

N1P, N1PPP Series

Panels for NIC & RHC EnclosuresK6

NPDD, NPDDG Series

Panels (Solid & Perforated) for Double
Door Floor-Mount Enclosures K7

WA-F1/F2 Series

Panels for Single Door Freestanding
EnclosuresKJ8

WA-F1/F2 Series

Panels for Two Door
Freestanding Enclosures K9

WASP-F3/F4 Series

Swing-Out Panels
for Freestanding Enclosures K10

WA-SMP Series

Side-Mount Panels
for Freestanding Enclosures K11

WA-SOF Series

Swing-Out Racks
for Freestanding Enclosures K12

WA-SOF Series Rack Angles

Accessory Rack Components
for Freestanding Enclosures..... K13

BACK PANELS



**P SERIES BACK PANELS
ACCESSORY PANELS FOR JIC ENCLOSURES**



P0606PP



P0808

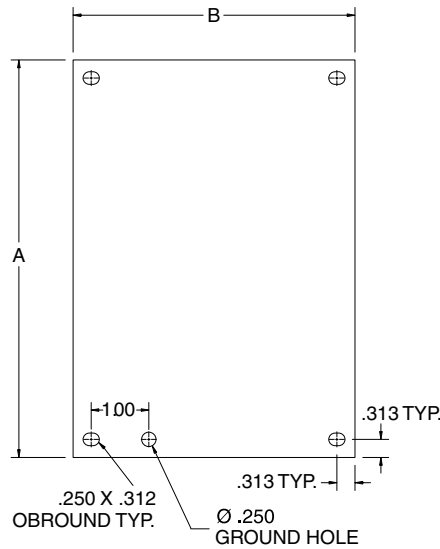
FEATURES-SPECIFICATIONS

Description

- White polyester powder finish on steel and perforated panels
- “G” panels are pre-galvanized steel
- 304SS panels are made of 304 stainless steel
- Panels fit the following enclosures:
 - B
 - BCH
 - BN4
 - BN4CH
 - BN4SS
 - BN4CHSS
 - BN4AL
 - BN4CHAL
 - BN4CHQT
 - BN4CHQTSS
 - BCHFTC
 - BCHQR
 - BSC
 - LOH

BACK PANELS FOR JIC ENCLOSURES

Painted Steel (White)	Catalog Number				Panel Size AxB
	“G”	Perforated	304 Stainless Steel	Aluminum	
P0604	P0604G	P0604PP	P0604SS	P0604AL	4.88x2.88 (124x73)
P0606	P0606G	P0606PP	P0606SS	P0606AL	4.88x4.88 (124x124)
P0806	P0806G	P0806PP	P0806SS	P0806AL	6.88x4.88 (175x124)
P0808	P0808G	P0808PP	—	—	6.88x6.88 (175x175)
P1008	P1008G	P1008PP	P1008SS	P1008AL	8.88x6.88 (226x175)
P1010	P1010G	P1010PP	—	—	8.88x8.88 (226x226)
P1206	P1206G	P1206PP	—	—	10.88x4.88 (276x124)
P1210	P1210G	P1210PP	P1210SS	P1210AL	10.88x8.88 (276x226)
P1212	P1212G	P1212PP	P1212SS	—	10.88x10.88 (276x276)
P1408	P1408G	P1408PP	—	—	12.88x6.88 (327x175)
P1412	P1412G	P1412PP	P1412SS	P1412AL	12.88x10.88 (327x276)
P1610	P1610G	P1610PP	—	—	14.88x8.88 (378x226)
P1614	P1614G	P1614PP	P1614SS	P1614AL	14.88x12.88 (378x327)



**N1P SERIES BACK PANELS
ACCESSORY PANELS FOR SMALL NIC & RHC ENCLOSURES**



N1P0606PP



N1P0606

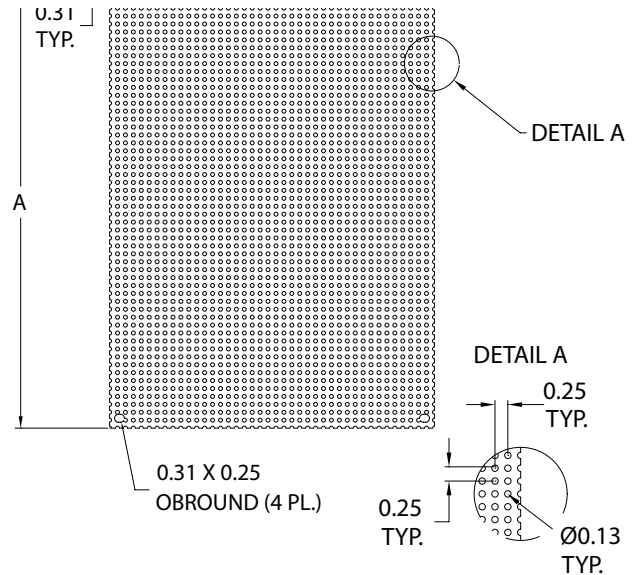
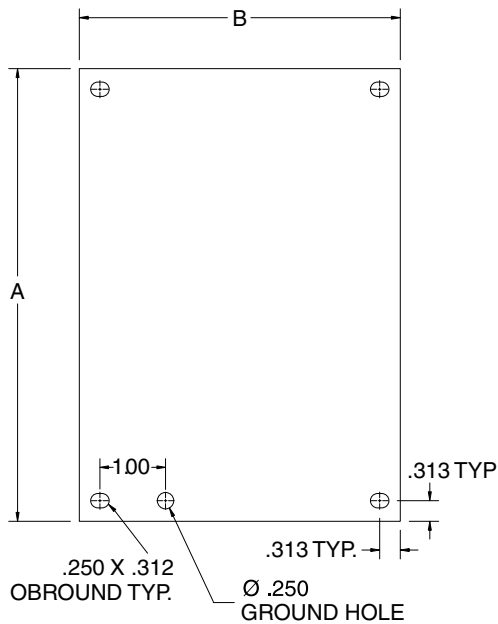
FEATURES-SPECIFICATIONS

Description

- Carbon steel panels are painted with a white polyester powder
- “G” panels are pre-galvanized steel
- Panels fit the following enclosures:
 - NEMA 1 Small (NIC)
 - NEMA 3R Small (RHC)
 - NEMA 12 WAGIE
- Perforated panels accept self-tapping screws which eliminates the need to measure, mark and drill when mounting components
- Panels are used for mounting light-weight control components

BACK PANELS FOR SMALL NIC & RHC ENCLOSURES

Catalog Number		Panel Size AxB
Painted Steel (White)	Perforated	
N1P0606	N1P0606PP	4.25x4.25 (108x108)
N1P0608	N1P0608PP	6.25x4.25 (159x108)
N1P0808	N1P0808PP	6.25x6.25 (159x159)
N1P0810	N1P0810PP	8.25x6.25 (210x159)
N1P1010	N1P1010PP	8.25x8.25 (210x210)
N1P1012	N1P1012PP	10.25x8.25 (260x210)
N1P1212	N1P1212PP	10.25x10.25 (260x260)
N1P1214	N1P1214PP	12.25x10.25 (311x260)
N1P1216	N1P1216PP	14.25x10.25 (362x260)
N1P1220	N1P1220PP	18.25x10.25 (464x260)



**NP SERIES BACK PANELS
ACCESSORY PANELS FOR NEMA 1, 3R, 4, 4X & 12 WALL-MOUNTS**

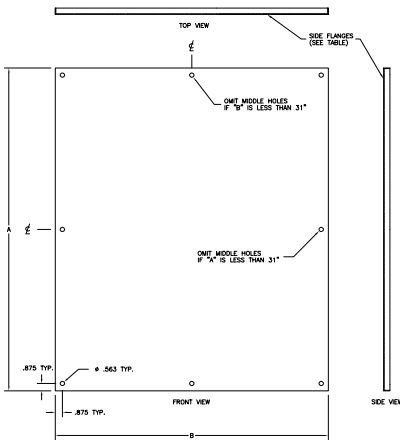


NP1212

FEATURES-SPECIFICATIONS

Description

- Panels with any side over 17.00" has a flange on all sides
- Carbon steel panels are painted white polyester powder
- "G" panels are pre-galvanized steel
- Panels fit the following enclosures:
 - NEMA 1, Large (NIC)
 - NEMA 3R, Hinge Cover (RHC, Large)
 - NEMA 4 & 4X Single Door (N12, N4, SSN4, SSN43PT, SSN43PTW)
 - NEMA 12, 2-Door Wall-Mount, (WAWF), Single Door
 - Right Flange Disconnect (SDN12, ABN12)
 - Large JIC (B-CH, Large) Single Door N12



BACK PANELS FOR NEMA 1, 3R, 4, 4X & 12 WALL-MOUNT ENCLOSURES

Painted Steel (White)	Catalog Number				Panel Size AxB
	Perforated	"G"	304 Stainless Steel	Aluminum	
NP1212	—	NP1212G	—	—	9.00X9.00 (229X229)
NP1224	—	NP1224G	—	—	9.00X21.00 (229X533)
NP1612	NP1612PP	NP1612G	NP1612SS	ALNP1612	13.00X9.00 (330X229)
NP1616	NP1616PP	NP1616G	NP1616SS	ALNP1616	13.00X13.00 (330X330)
NP1620	—	NP1620G	—	—	13.00X17.00 (330X432)
NP1818	—	—	—	—	15.00X15.00 (381X381)
NP2012	—	NP2012G	—	—	17.00X9.00 (432X229)
NP2016	NP2016PP	NP2016G	NP2016SS	ALNP2016	17.00X13.00 (432X330)
NP2024	—	NP2024G	—	—	17.00X21.00 (432X533)
NP2020	NP2020PP	NP2020G	NP2020SS	ALNP2020	17.00X17.00 (432X432)
NP2412	—	NP2412G	—	—	21.00X9.00 (533X229)
NP2416	—	NP2416G	NP2416SS	—	21.00X13.00 (533X330)
NP2420	NP2420PP	NP2420G	NP2420SS	ALNP2420	21.00X17.00 (533X432)
NP2424	NP2424PP	NP2424G	NP2424SS	ALNP2424	21.00X21.00 (533X533)
NP2430	—	NP2430G	—	—	21.00X27.00 (686X533)
NP3016	—	NP3016G	—	—	27.00X13.00 (686X330)
NP3020	—	NP3020G	NP3020SS	—	27.00X17.00 (686X432)
NP3024	NP3024PP	NP3024G	NP3024SS	ALNP3024	27.00X21.00 (686X533)
NP3030	NP3030PP	NP3030G	NP3030SS	—	27.00X27.00 (686X686)
NP3036	—	NP3036G	—	—	27.00X33.00 (686X838)
NP3042	—	NP3042G	—	—	27.00X39.00 (886X991)
NP3624	NP3624PP	NP3624G	NP3624SS	ALNP3624	33.00X21.00 (838X533)
NP3630	NP3630PP	NP3630G	NP3630SS	ALNP3630	33.00X27.00 (838X686)
NP3636	NP3636PP	NP3636G	NP3636SS	—	33.00X33.00 (838X838)
NP3642	—	NP3642G	—	—	33.00X39.00 (838X991)
NP4024	—	NP4024G	—	—	37.00X21.00 (940X533)
NP4224	—	NP4224G	—	—	39.00X21.00 (991X533)
NP4230	NP4230PP	NP4230G	NP4230SS	—	39.00X27.00 (991X686)
NP4236	NP4236PP	NP4236G	NP4236SS	—	39.00X33.00 (991X838)
NP4824	—	NP4824G	—	—	45.00X21.00 (1143X533)
NP4830	—	NP4830G	—	—	45.00X27.00 (1143X686)
NP4836	NP4836PP	NP4836G	NP4836SS	ALNP4836	45.00X33.00 (1143X838)
NP6030	—	NP6030G	—	—	57.00X27.00 (1448X686)
NP6036	NP6036PP	NP6036G	NP6036SS	ALNP6036	57.00X33.00 (1448X838)
NP7230	—	NP7230G	—	—	69.00X27.00 (1753X686)
NP7236	—	NP7236G	—	—	69.00X33.00 (1753X838)

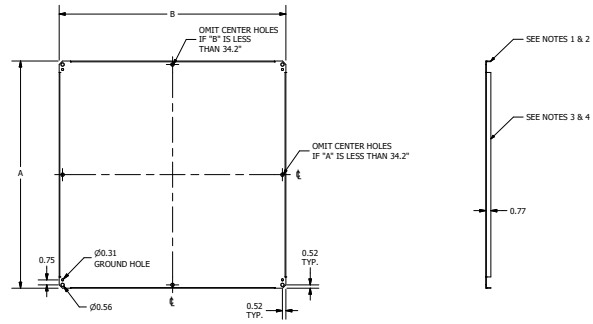


NP1212C

FEATURES-SPECIFICATIONS

Description

- Carbon steel panels are painted with a white polyester powder
- “G” panels are pre-galvanized steel
- All Ultimate Series Enclosures



NOTES:
 1. OMIT TOP & BOTTOM FLANGES IF "B" IS LESS THAN 22.2"
 2. OMIT TOP & BOTTOM FLANGES IF "B" IS LESS THAN 28.2" AND "A" IS GREATER THAN OR EQUAL TO "B"
 3. OMIT SIDE FLANGES IF "A" IS LESS THAN 22.2"
 4. OMIT SIDE FLANGES IF "A" IS LESS THAN 28.2" AND "B" IS GREATER THAN "A"

NP-C SERIES BACK PANELS FOR ULTIMATE N412C ENCLOSURES

Painted Steel	"G"	Catalog Number			Panel Size AxB
		304 Stainless Steel	316 Stainless Steel	Perforated	
NP1212C	NP1212CG	NP1212SSC	—	—	10.2X10.2 (259X259)
NP1414C	NP1414CG	NP1414SSC	—	—	12.2X12.2 (309X309)
NP1612C	NP1612CG	NP1612SSC	NP1612SSAC	NP1612CPP	14.2X10.2 (361X259)
NP1616C	NP1616CG	NP1616SSC	—	NP1616CPP	14.2X14.2 (361X361)
NP2016C	NP2016CG	NP2016SSC	—	NP2016CPP	18.2X14.2 (462X361)
NP2416C	NP2416CG	NP2416SSC	NP2416SSAC	NP2416CPP	22.2X14.2 (564X361)
NP2020C	NP2020CG	NP2020SSC	NP2020SSAC	NP2020CPP	18.2X18.2 (462X462)
NP2420C	NP2420CG	NP2420SSC	—	NP2420CPP	22.2X18.2 (564X462)
NP3020C	NP3020CG	—	—	NP3020CPP	28.2X18.2 (716X462)
NP2424C	NP2424CG	NP2424SSC	NP2424SSAC	NP2424CPP	22.2X22.2 (564X564)
NP3024C	NP3024CG	NP3024SSC	NP3024SSAC	NP3024CPP	28.2X22.2 (716X564)
NP3624C	NP3624CG	NP3624SSC	—	NP3624CPP	34.2X22.2 (869X564)
NP4024C	NP4024CG	—	—	NP4024CPP	38.2X22.2 (970X564)
NP4824C	NP4824CG	—	—	NP4824CPP	46.2X22.2 (1173X564)
NP2430C	NP2430CG	—	—	—	22.2X28.2 (564X716)
NP3030C	NP3030CG	NP3030SSC	—	NP3030CPP	28.2X28.2 (716X716)
NP3630C	NP3630CG	NP3630SSC	—	NP3630CPP	34.2X28.2 (869X716)
-	NP4230CG	—	—	—	40.2X28.2 (1021X716)
NP3636C	NP3636CG	NP3636SSC	NP3636SSAC	NP3636CPP	34.2X34.2 (869X869)
NP4236C	NP4236CG	NP4236SSC	NP4236SSAC	NP4236CPP	40.2X34.2 (1021X869)
NP4836C	NP4836CG	NP4836SSC	NP4836SSAC	NP4836CPP	46.2X34.2 (1173X869)
—	NP5236CG	—	—	—	50.2X34.2 (1278X869)
NP6036C	NP6036CG	NP6036SSC	NP6036SSAC	NP6036CPP	58.2X34.2 (1478X869)

N1P SERIES BACK PANELS ACCESSORY PANELS FOR N1C & RHC ENCLOSURES



N1P1616PP



N1P1216L

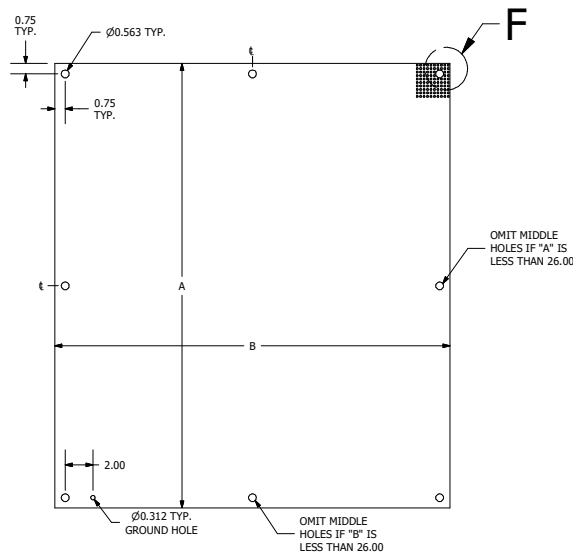
FEATURES-SPECIFICATIONS

Description

- Carbon steel panels are painted with a white polyester powder
- Panels fit the following enclosures:
 - N1C (small & medium)
 - RHC (small)
- Perforated panels accept self tapping screws which eliminates the need to measure, mark and drill when mounting components
- Panels are used for mounting light-weight control components

BACK PANELS FOR N1C & RHC ENCLOSURES

Catalog Number		Panel Size AxB
Painted Steel	Perforated	
N1P1216L	N1P1216LPP	13.00x10.50 (330x267)
N1P1616	N1P1616PP	13.00x14.50 (330x368)
N1P1620	N1P1620PP	17.00x14.50 (432x368)
N1P2016	N1P2016PP	13.00x18.50 (330x470)
N1P2020	N1P2020PP	17.00x18.50 (432x470)
N1P1624	N1P1624PP	21.00x14.50 (533x368)
N1P2024	N1P2024PP	21.00x18.50 (533x470)
N1P2424	N1P2424PP	21.00x22.50 (533x572)
N1P2030	N1P2030PP	26.00x18.50 (660x470)
N1P2436	N1P2436PP	32.00x22.50 (813x572)
N1P2420	N1P2420PP	17.00x22.50 (432x572)
N1P2430	N1P2430PP	26.00x22.50 (660x572)
N1P3030	N1P3030PP	26.00x28.50 (660x724)
N1P3036	N1P3036PP	32.00x28.50 (813x724)



NPDD SERIES BACK PANELS
ACCESSORY PANELS FOR DOUBLE DOOR FLOOR-MOUNT ENCLOSURES

K7



NPDD4242

FEATURES-SPECIFICATIONS

Description

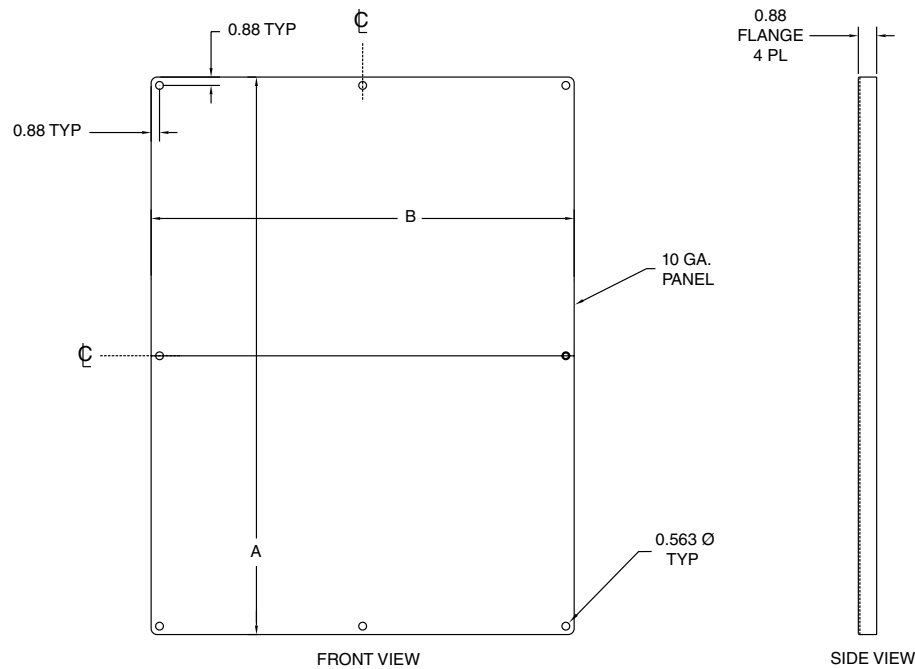
- Carbon steel panels are painted with a white polyester powder
- Panels are used in NEMA 12 double door floor-mount enclosures and some two-door wall-mount enclosures
- “G” panels are pre-galvanized steel

Fits:

SSN4D3PT, SSN4D3PTA
 N12 Floor-Mount
 WAX
 WACPX
 WAXSSN4
 WACPXSSN4
 WAWF
 SSN4WF3PT

BACK PANELS FOR DOUBLE DOOR FLOOR-MOUNT ENCLOSURES

Catalog Number		Panel Size AxB
Painted Steel (White)	“G”	
NPDD4242	NPDD4242G	39.00x39.00 (991x991)
NPDD4260	NPDD4260G	38.00x56.00 (965x1422)
NPDD4842	NPDD4842G	45.00x39.00 (1143x991)
NPDD4848	NPDD4848G	44.00x44.00 (1118x1118)
NPDD5442	NPDD5442G	50.00x38.00 (1270x965)
NPDD6048	NPDD6048G	56.00x44.00 (1422x1118)
NPDD6060	NPDD6060G	56.00x56.00 (1422x1422)
NPDD7260	NPDD7260G	68.00x56.00 (1727x1422)
NPDD7272	—	68.00x68.00 (1727x1727)



FEATURES-SPECIFICATIONS

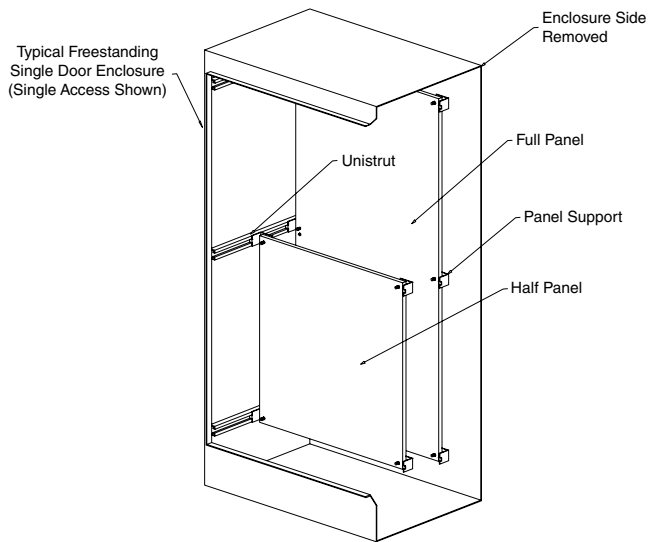
Description

Panels for single door single-access and single door dual-access freestanding NEMA 12, freestanding NEMA 4 and freestanding stainless steel enclosures.

- Panels can be positioned anywhere along horizontal depth-wise mounting channels
- Half-length panels can be installed in the upper or lower portion of the enclosure
- Mounting hardware is furnished with each panel
- Panels are painted with a white polyester powder
- Panels may be used in two door enclosures along with other free standing accessories
- “G” panels are pre-galvanized steel

REGULAR PANELS ONLY (FULL & HALF) NEMA 12 SINGLE DOOR

Catalog Number		Panel Size AxB	Panel Type
White	“G”		
WA60P24F1	WA60P24F1G	48.00x20.00 (1219x508)	Full
WA60P24F2	WA60P24F2G	24.88x20.00 (632x508)	Half
WA72P24F1	WA72P24F1G	60.00x20.00 (1524x508)	Full
WA72P24F2	WA72P24F2G	30.88x20.00 (784x508)	Half
WA90P24F1	WA90P24F1G	78.00x20.00 (1981x508)	Full
WA90P24F2	WA90P24F2G	39.88x20.00 (1013x508)	Half
WA72P30F1	WA72P30F1G	60.00x26.00 (1524x660)	Full
WA72P30F2	WA72P30F2G	30.88x26.00 (784x660)	Half
WA60P36F1	WA60P36F1G	48.00x32.00 (1219x813)	Full
WA60P36F2	WA60P36F2G	24.88x32.00 (632x813)	Half
WA72P36F1	WA72P36F1G	60.00x32.00 (1524x813)	Full
WA72P36F2	WA72P36F2G	30.88x32.00 (784x813)	Half
WA90P36F1	WA90P36F1G	78.00x32.00 (1981x813)	Full
WA90P36F2	WA90P36F2G	39.88x32.00 (1013x813)	Half



FEATURES-SPECIFICATIONS

Description

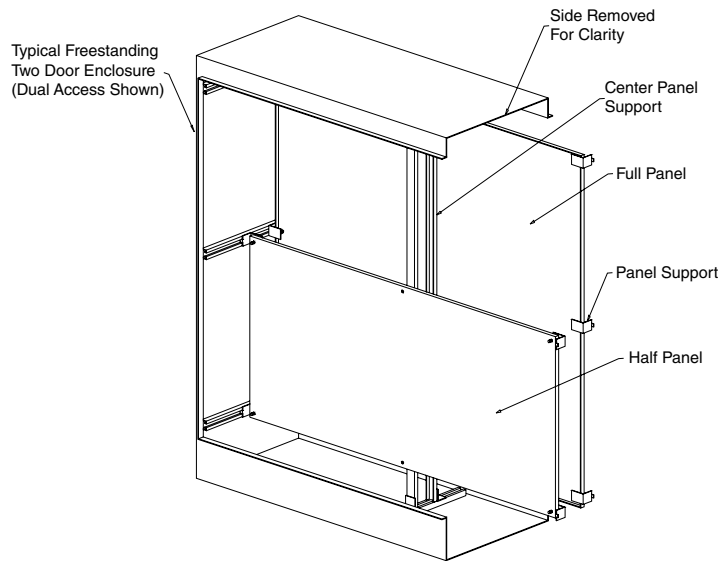
Panels for two door single-access and two door dual-access freestanding NEMA 12 enclosures.

- Panels can be positioned anywhere along horizontal depth-wise mounting channels
- Half-length panels can be installed in the upper or lower portion of the enclosure
- Mounting hardware is furnished with each panel
- Panels are painted with a white polyester powder
- “G” panels are pre-galvanized steel

BACK PANELS FOR NEMA 12 DOUBLE DOOR

Catalog Number		Panel Size AxB	Panel Type
White	“G”		
WA60P48F1	WA60P48F1G	48.00x44.00 (1219x1118)	Full
WA60P48F2	WA60P48F2G	24.88x44.00 (632x1118)	Half
WA72P48F1	WA72P48F1G	60.00x44.00 (1524x1118)	Full
WA72P48F2	WA72P48F2G	30.88x44.00 (784x1118)	Half
WA72P60F1	WA72P60F1G	60.00x56.00 (1524x1422)	Full
WA72P60F2	WA72P60F2G	30.88x56.00 (784x1422)	Half
WA72P72F1	—	60.00x68.00 (1524x1727)	Full
WA72P72F2	WA72P72F2G	30.88x68.00 (784x1727)	Half
WA90P48F1	WA90P48F1G	78.00x44.00 (1981x1118)	Full
WA90P48F2	WA90P48F2G	39.88x44.00 (1013x1118)	Half
WA90P72F1	—	78.00x68.00 (1981x1727)	Full
WA90P72F2	WA90P72F2G	39.88x68.00 (1013x1727)	Half

NOTE: Center Panel support is supplied with a regular Two Door Enclosure Panel. This support is used only as a brace. It is not intended to be used as a support for Single Door Panels, relay racks, etc.



FEATURES-SPECIFICATIONS

Description

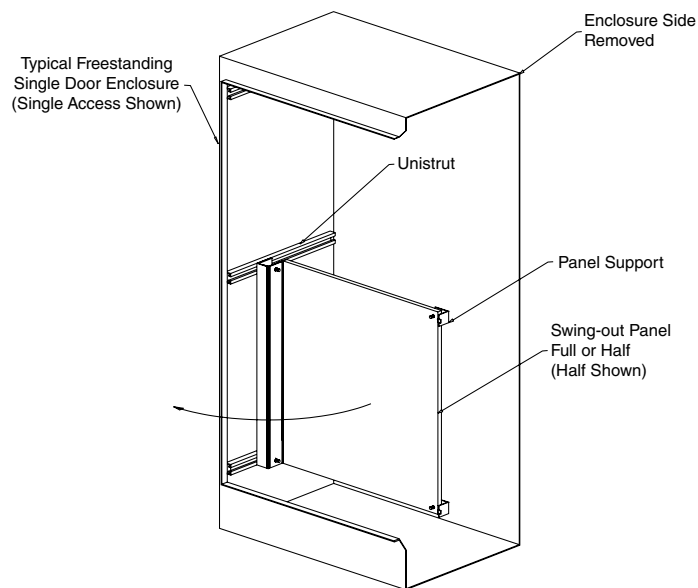
Panels for freestanding NEMA 12 Enclosures and freestanding NEMA 4 Enclosures.

- Full-length, half-length and swing-out panels are available
- Half-length panels can be installed in the upper or lower portion of the enclosure
- Mounting can be on either side of the enclosure
- Mounting hardware is furnished with each panel
- Panels may be used in two door enclosures along with other freestanding accessories
- Panels are painted with a white polyester powder
- "G" panels are pre-galvanized steel

SWING-OUT PANELS ONLY (FULL & HALF) NEMA 12 SINGLE DOOR

Catalog Number		Panel Size AxB	Panel Type
White	"G"		
WA60SP24F3	WA60SP24F3G	48.00x19.00 (1219x483)	Full
WA60SP24F4	WA60SP24F4G	24.88x19.00 (632x483)	Half
WA72SP24F3	WA72SP24F3G	60.00x19.00 (1524x483)	Full
WA72SP24F4	WA72SP24F4G	30.88x19.00 (784x483)	Half
WA72SP30F3	WA72SP30F3G	60.00x25.00 (1524x635)	Full
WA72SP30F4	WA72SP30F4G	30.88x25.00 (784x635)	Half
WA60SP36F3	WA60SP36F3G	48.00x31.00 (1219x787)	Full
WA60SP36F4	WA60SP36F4G	24.88x31.00 (632x787)	Half
WA72SP36F3	WA72SP36F3G	60.00x31.00 (1524x787)	Full
WA72SP36F4	WA72SP36F4G	30.88x31.00 (784x787)	Half
WA90SP36F3	WA90SP36F3G	78.00x31.00 (1981x787)	Full
WA90SP36F4	WA90SP36F4G	39.88x31.00 (1013x787)	Half

NOTE: If used in a Two Door Enclosure, a center panel support must be ordered.



FEATURES-SPECIFICATIONS

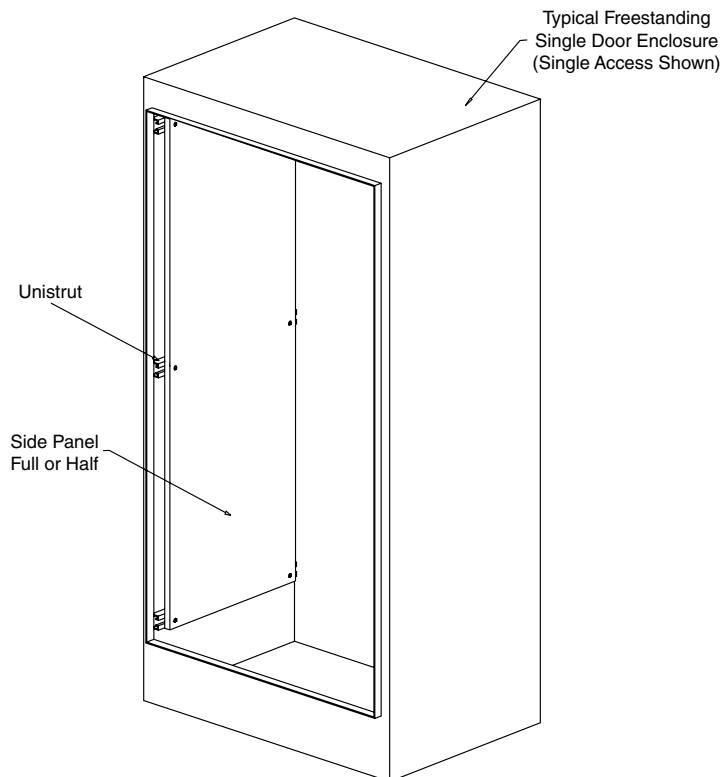
Description

Panels for freestanding NEMA 12 and freestanding NEMA 4 Enclosures.

- They provide extra mounting space on the sides of the enclosures
- Panels attach securely to mounting channels
- Panel mounting hardware is included
- Panels are painted with a white polyester powder
- “G” panels are pre-galvanized steel

SIDE-MOUNT PANELS FOR SINGLE OR DOUBLE DOOR

Catalog Number		Panel Size AxB	Enclosure Depth
White	“G”		
WA60SMP14	WA60SMP14G	48.00x14.00 (1219x356)	18”
WA72SMP14	WA72SMP14G	60.00x14.00 (1524x356)	18”
WA72SMP20	WA72SMP20G	60.00x20.00 (1524x508)	24”
WA90SMP14	WA90SMP14G	78.00x14.00 (1981x356)	18”
WA90SMP20	WA90SMP20G	78.00x20.00 (1981x508)	24”



FEATURES-SPECIFICATIONS

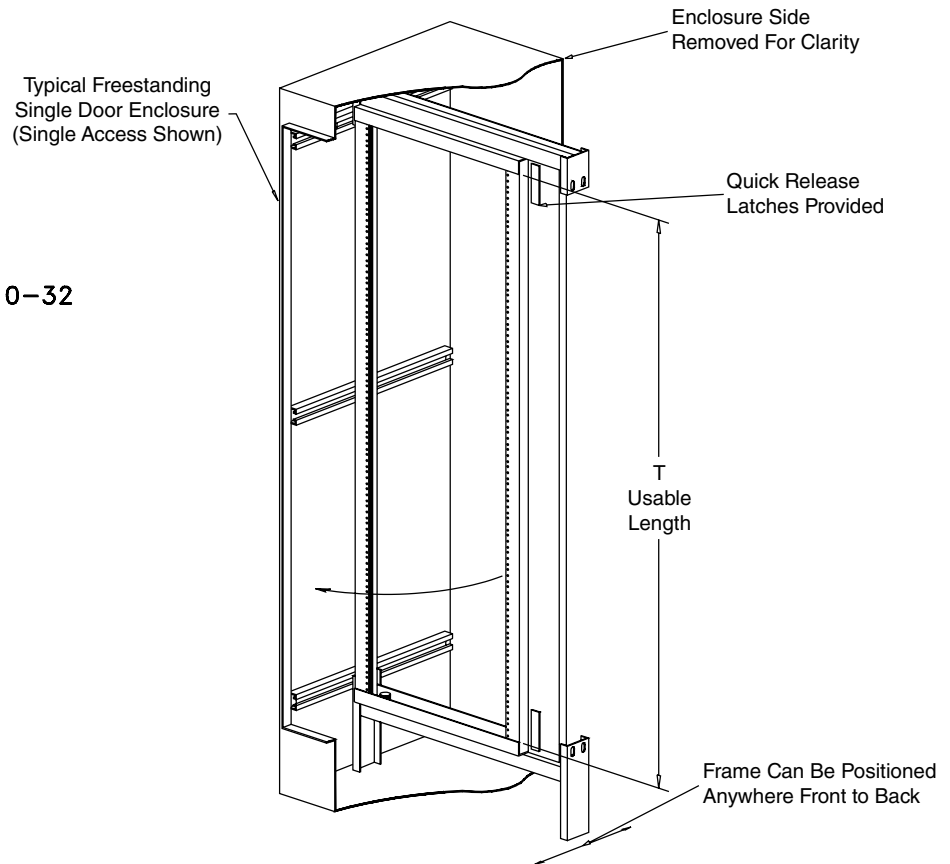
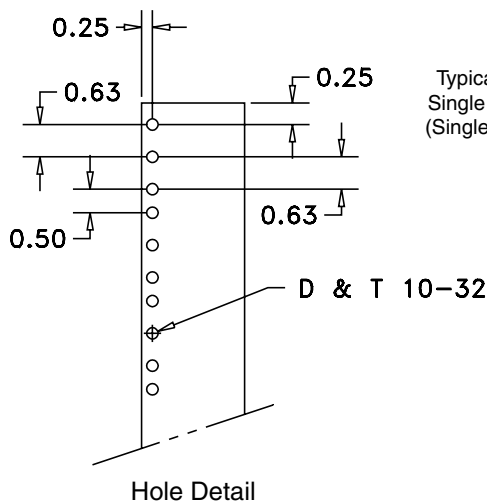
Description

- Swing-out rack mounting frames are available for installing rack mounting equipment. Mounting holes are tapped with #10-32 threads spaced per E.I.A. standard
- Panels are painted with a white polyester powder

SWING-OUT RACKS FOR SINGLE OR DOUBLE DOOR

Catalog Number	Fits Enclosure HxW	Rack Size	Usable Angle Length "T"
WA7230S0F19	72.00x30.00 (1829x762)	19.00 (483)	57.88 (1470)
WA7236S0F19	72.00x36.00 (1829x914)	19.00 (483)	57.88 (1470)
WA9036S0F19	90.00x36.00 (2286x914)	19.00 (483)	75.38 (1915)

NOTE: If used in a Two Door Enclosure, a center panel support must be ordered.



FEATURES-SPECIFICATIONS

Type RP

For freestanding NEMA 12 Enclosures

- Full-length or half-length rack mounting angles are available for installing rack-mounted equipment
- If used in Two Door Enclosures a center panel support must be ordered
- Carbon steel panels are painted with a white polyester powder

Type RA

For all freestanding NEMA 12 and NEMA 4 Enclosures

- Designed for mounting 19 inch and 24 inch rack mounted equipment
- Through holes (7/32 Dia.) are provided and require a W1032N clip nut (must be ordered separately)
- Rack angles are installed on mounting channels within the freestanding enclosures and are adjustable
- If used in Two-Door Enclosures a center panel support must be ordered
- Carbon steel panels are painted with a white polyester powder

RELAY RACK ANGLES FOR SINGLE OR DOUBLE DOOR

Catalog Number	Length "L"
WA60RP24F5	49.00 (1245)
WA60RP24F6	26.25 (667)
WA72RP24F5	61.25 (1556)
WA72RP24F6	31.50 (800)
WA72RP30F5	61.25 (1556)
WA72RP30F6	31.50 (800)
WA90RP24F5	78.75 (2000)
WA90RP24F6	40.25 (1022)

WA-RA RELAY RACK ANGLES

Catalog Number	Fits Enclosure HxW	Rack Size	Usable Angle Length "L"
WA60RA19TH	60.00x24.00 (1524x610)	19.00 (483)	49.00 (1245)
WA72RA19TH	72.00x24.00 (1829x610)	19.00 (483)	61.25 (1556)
WA72RA24TH	72.00x30.00 (1829x762)	24.00 (610)	61.25 (1556)
WA90RA19TH	90.00x24.00 (2286x610)	19.00 (483)	78.75 (2001)

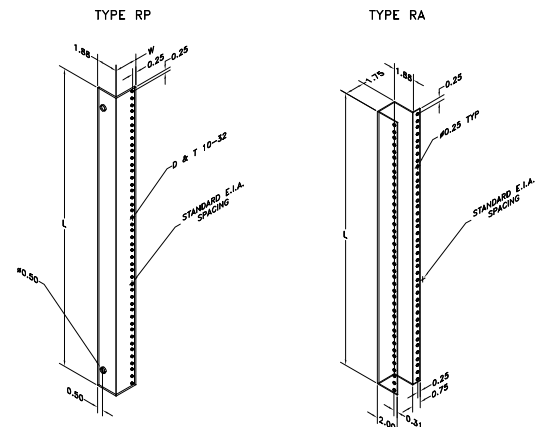
NOTE: If used in a Two Door Enclosure, a center panel support must be ordered.

- NOTES:
 1. W = 2.00 IF RACK SIZE = 19.00
 1. W = 2.50 IF RACK SIZE = 24.00

CENTER PANEL SUPPORT

Catalog Number	Height	Description
WA60FSCPS	60"	Fits enclosure height of 60"
WA72FSCPS	72"	Fits enclosure height of 72"
WA90FSCPS	90"	Fits enclosure height of 90"

NOTE: Center Panel Support is provided with Two Door enclosure panels. This support is used only as a brace. It is not intended to be used as a support for Single Door panels, relay racks, swing out panels, or swing out racks.



Section L Index

General

JIC & NEMA Swing-out Panel Kits	L2	Interlock Defeater	L9
Print Pocket	L3	Terminal Kit Assemblies, Blocks and Straps	L10-L11
Door Stop Kit	L3	Floor Stand Kit	L12
Folding Shelf	L3	Panel Supports	L13
Drip Shields	L4	Stabilizers	L13
Hole Seals	L4	Casters	L13
Window Kits	L5	Relay Rack Angle Kit.....	L14
Deep Hinged Window Kits	L6	Adapter Plates	L14
Pole Mount Kit.....	L7	Locks • Latches • Clip Nut.....	L15-L18
Mounting Feet	L8	Clamp Assemblies	L18
Strip Gasket	L8	Lighting	L19-L20
Touch-up Paint	L8	Vapor Capsules, Desiccant Packets.....	L21
Electrical Interlocks	L9	ULTIMATE Series Accessories	L22-L24
Grounding Kit.....	L9		
Ground Screw Kit.....	L9		

ACCESSORIES





WAJCDFK



WANADFK

FEATURES-SPECIFICATIONS

SWING-OUT PANEL KITS

Designed to allow mounting of switches, gauges, pilot lights and other components near the front of the enclosure for easy access or meter reading.

- These kits consist of heavy gauge brackets and hinges which are easily installed by drilling small holes in the sides of the enclosure and bolting the bracket in place
- Sealing washers are also furnished to ensure that the enclosure will meet the original NEMA rating after installation
- These kits are designed for use with standard JIC and NEMA panels

JIC & NEMA SWING OUT PANEL KITS

Catalog Number	Description
WAJCDFK	JIC Kit
WANADFK	NEMA Kit (For traditional clamp cover enclosures)

NOTE: Panels must be ordered separately.



WAPPL0606
Print Pocket



WADSTOPK
Door Stop Kit



WACSHELF12
Folding Shelf

FEATURES-SPECIFICATIONS

PRINT POCKET

- Plastic print pockets can be placed anywhere within enclosure via 2-way adhesive tape flanges
- White in color

PRINT POCKET

Catalog Number	Dimensions
WAPPL0606	6x6
WAPPL0810	8x10

DOOR STOP KIT

- Designed for use on most standard NEMA 4 and 12 enclosures to secure the door in the open position
- Door stop can be mounted at the top or bottom of the door opening after drilling two small holes in the body of the enclosure and two small holes in the door

DOOR STOP KIT

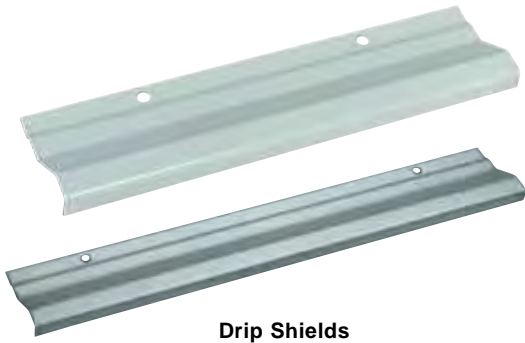
Catalog Number	Description
WADSTOPK	Door stop kit
WADSTOPKSS	SS Door stop kit

FOLDING SHELF

- Designed to be used to support and test equipment that is used to install and maintain electrical components in an enclosure
- The shelf can be installed on the inside or outside surface of the enclosure
- When not in use, the shelf conveniently folds down and projects only one inch
- All parts are made of carbon steel
- ANSI-61 gray polyester powder paint finish

FOLDING SHELF

Catalog Number	Dimensions
WACSHELF12	12.00x12.00 (305x305)
WACSHELF18	18.00x18.00 (457x457)



Drip Shields



Industry Standards
 UL 870
 NEMA Type 12 & 13

 UL Files E32576

 CSA File LL66078

FEATURES-SPECIFICATIONS

DRIP SHIELDS

- Designed to protect door hardware from dripping water and settling dust
- Drip shields attach easily to the enclosure with stainless steel screws, gasket and sealing washers (hardware is furnished)
- Drip shields fit most single and double door enclosures
- Stainless steel door clamps are furnished to replace the standard door clamps
- Carbon steel drip shields have a ANSI 61 gray polyester powder finish
- Stainless steel drip shields have a smooth grained finish
- 42", 48", 60" and 72" drip shields fit floor mounted double door enclosures. Specify when ordering for double door wall mounted enclosures

DRIP SHIELDS

Catalog Number		Fits Enclosure Width
Steel	Stainless Steel	
DK12	SSDK12	12.00 (305)
DK16	SSDK16	16.00 (406)
DK20	SSDK20	20.00 (508)
DK24	SSDK24	24.00 (610)
DK30	SSDK30	30.00 (762)
DK36	SSDK36	36.00 (914)
DK42	—	42.00 (1067)
DK48	—	48.00 (1219)
DK60	—	60.00 (1524)
DK72	—	72.00 (1829)

HOLE SEALS

Designed to seal extra pushbutton holes, conduit openings, and knockout openings from dirt, dust, oil and water

Steel:

- Quick wing nut
- Oil resistant gasket
- ANSI 61 gray polyester powder

Stainless Steel:

- Quick wing nut
- Oil resistant gasket
- Smooth grained finish

HOLE SEALS

Catalog Number		Description	Hole Diameter
Steel	Stainless Steel		
WASPBG	WASPBGSS	Miniature oil tight pushbutton holes	0.88 (22)
WAS050	WAS050SS	1/2-inch conduit holes	0.88 (22)
WAS075	WAS075SS	3/4-inch conduit holes	1.13 (29)
WASPB	WASPBSS	Standard oil-tight pushbutton holes	1.20 (30)
WAS100	WAS100SS	1-inch conduit holes	1.38 (35)
WAS125	WAS125SS	1 1/4-inch conduit holes	1.63 (41)
WAS150	WAS150SS	1 1/2-inch conduit holes	2.00 (51)
WAS200	WAS200SS	2-inch conduit holes	2.50 (64)
WAS250	—	2 1/2-inch conduit holes	3.00 (76)
WAS300	—	3-inch conduit holes	3.63 (92)
WAS350	—	3 1/2-inch conduit holes	4.00 (102)
WAS400	—	4-inch conduit holes	4.63 (118)




WAPWK0503NF



WAPWK0503SS

Industry Standards
UL 870
NEMA Type 12 & 13

 UL Files E32576

 CSA File LL66078

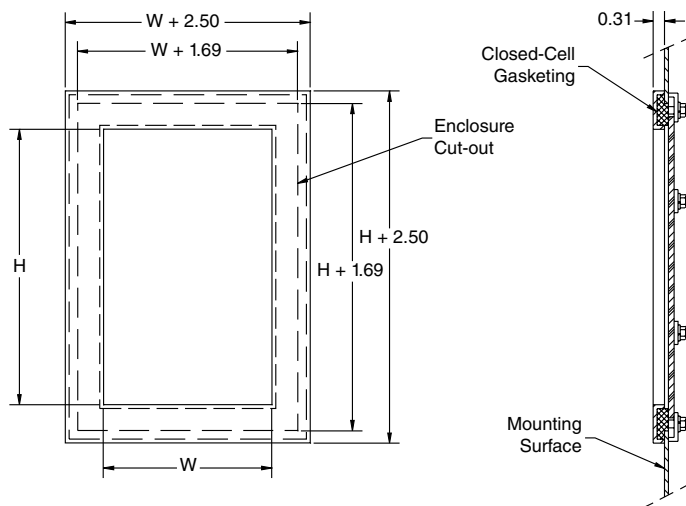
FEATURES-SPECIFICATIONS

WINDOW KITS

- Window kits are suitable for enclosures in indoor applications. These kits are easily installed by making a cutout in the enclosure and attaching the window and frame in place. All necessary hardware is included
- Kits are fully gasketed to maintain an oil-tight seal
- Frames are fabricated from painted carbon steel or 304 stainless steel with a smooth grained finish
- Polycarbonate viewing window for clear visibility

WINDOW KITS

Catalog Number		Window HxW	Frame Size	Required Cut-out
Steel	Stainless Steel			
WAPWK0503NF	WAPWK0503SS	5.00x3.00 (127x76)	7.50x5.50 (191x140)	6.69x4.69 (170x119)
WAPWK0905NF	WAPWK0905SS	9.00x5.50 (229x140)	11.50x8.00 (292x203)	10.69x7.19 (272x183)
WAPWK1308NF	WAPWK1308SS	13.00x8.00 (330x203)	15.50x10.50 (394x267)	14.69x9.69 (373x170)
WAPWK1705NF	—	17.00x5.50 (432x140)	19.50x8.00 (495x203)	18.69x7.19 (475x183)
WAPWK1711NF	WAPWK1711SS	17.00x11.00 (432x279)	19.50x13.50 (495x343)	18.69x12.69 (475x322)
WAPWK2315NF	WAPWK2315SS	23.00x15.00 (584x381)	25.50x17.50 (648x445)	24.69x16.69 (627x424)
WAPWK2919NF	—	29.00x19.00 (737x483)	31.50x21.50 (800x546)	30.69x20.69 (780x526)
WAPWK3523NF	—	35.00x23.00 (889x584)	37.50x25.50 (953x648)	36.69x24.69 (932x627)





WADW131602BC



WADW131602SS

Industry Standards

UL recognized components for Type 1, 4, 12 and 4X (SS only)
IP66 recognized component

FEATURES-SPECIFICATIONS

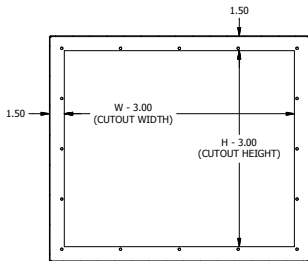
DEEP HINGED WINDOW

- Designed to be used with NEMA 4, 12 and 4X enclosures
- Drill Template provided for ease of mounting and guaranteed alignment

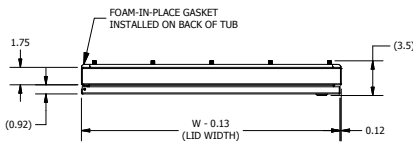
- Quarter Turn Style latching for easy access. (Interchangeable Style Latch)
- Fabricated from Carbon Steel or 304 Stainless Steel
- Finished ANSI-61 Gray Polyester powder or smooth grained stainless steel
- Polycarbonate viewing window for clear visibility

WADW SERIES DEEP HINGED WINDOW KITS

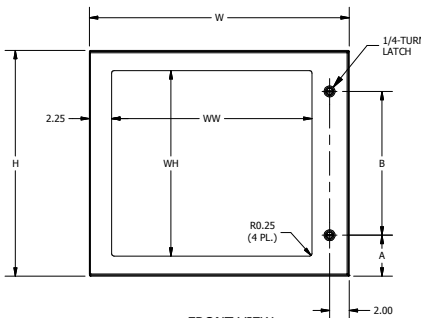
Catalog Number		H	W	WH	WW	A	B
Painted Steel	304 Stainless Steel						
Window							
WADW131602	WADW131602SS	12.75	15.88	8.68	9.83	6.38	—
WADW150902	WADW150902SS	14.75	9.5	10.68	3.41	7.38	—
WADW191302	WADW191302SS	18.75	13.5	14.68	7.41	9.38	—
WADW231302	WADW231302SS	22.75	13.5	18.68	7.41	11.38	—
WADW231702	WADW231702SS	22.75	17.5	18.68	11.41	11.38	—
WADW232602	WADW232602SS	22.75	26.25	18.68	20.22	4.13	14.5
WADW292002	WADW292002SS	28.75	20.25	24.68	14.22	4.13	20.5
Blank Cover							
WADW131602BC	WADW131602BCSS	12.75	15.88	—	—	6.38	—
WADW150902BC	WADW150902BCSS	14.75	9.5	—	—	7.38	—
WADW191302BC	WADW191302BCSS	18.75	13.5	—	—	9.38	—
WADW231302BC	WADW231302BCSS	22.75	13.5	—	—	11.38	—
WADW231702BC	WADW231702BCSS	22.75	17.5	—	—	11.38	—
WADW232602BC	WADW232602BCSS	22.75	26.25	—	—	4.13	14.5
WADW292002BC	WADW292002BCSS	28.75	20.25	—	—	4.13	20.5



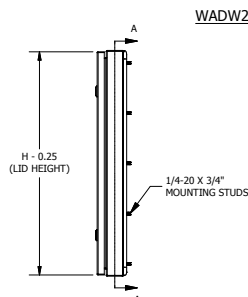
SECTION A-A
(INSIDE BACK VIEW)



TOP VIEW



FRONT VIEW



SIDE VIEW



PMKSML



PMKLRGSS

Industry Standards

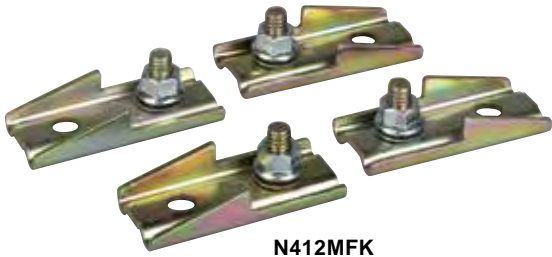
UL recognized components for
Type 1, 4, 12 and 4X (SS only)
IP66 recognized component

FEATURES-SPECIFICATIONS**Pole Mount Kit**

- Universal design provides flexibility across various enclosure widths
- Patent Pending design allows for single person installation
- Available in ANSI 61 Gray Powder Coat or 304 Stainless Steel
- 14" maximum pole diameter
- Maximum weight limit of 350lbs (for applications exceeding this please consult the factory)

POLE MOUNT KIT

Catalog Number	Description	Enclosures Width	Weight (Lbs.)
PMKSML	Pole Mount Kit-Small Enclosures-CRS	12"-20"	6.42
PMKLRG	Pole Mount Kit-Large Enclosures-CRS	24"-36"	11.26
PMKSMLSS	Pole Mount Kit-Small Enclosures-304SS	12"-20"	6.42
PMKLRGSS	Pole Mount Kit-Large Enclosures-304SS	24"-36"	11.26



N412MFK



WAGSE



WAVE

FEATURES-SPECIFICATIONS

MOUNTING FEET

- Mounting foot kit N412MFK contains four steel external mounting feet
- Mounting foot kit N412MFKSS contains four stainless steel external mounting feet
- Sealing washers are provided with each kit to maintain NEMA 4 or 12 rating after installation
- The N412MFK has a plated finish

MOUNTING FEET

Catalog Number	Description
N412MFK	For N412 steel enclosures
N412MFKSS	For N412 stainless steel enclosures

STRIP GASKET

Catalog Number	Dimensions
WGAS3834	3/8 X 3/4 (10 Ft Roll)
WGAS1634	5/16 X 3/4 (10 Ft Roll)

TOUCH-UP PAINT

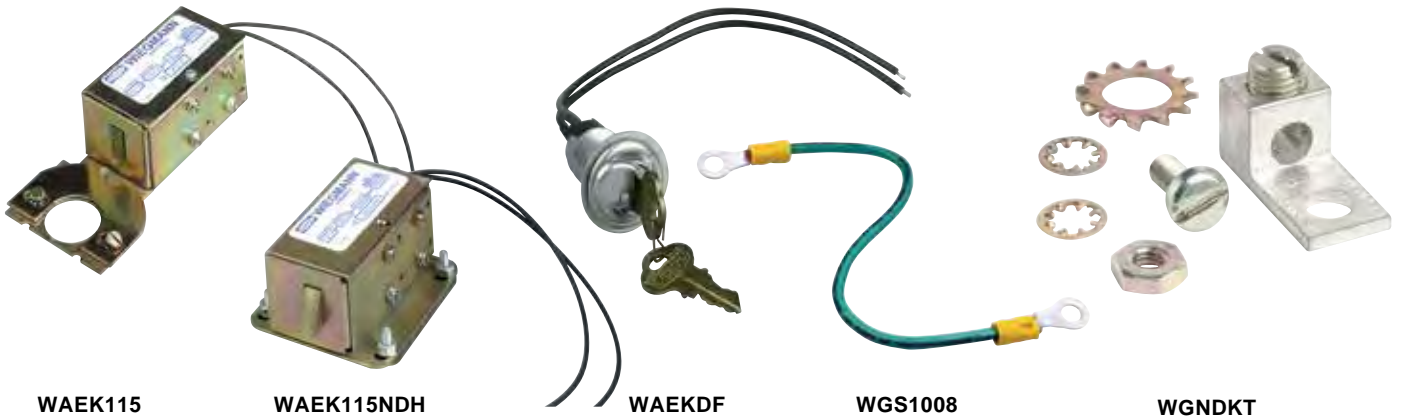
- Touch-up paint is used to repair existing finishes on enclosures and panels
- Furnished in 12 oz. spray cans

TOUCH-UP PAINT

Catalog Number	Description
WAGSE	ANSI 61 gray satin enamel
WAVE	White enamel
WAGSET	ANSI 61 Gray enamel texture

DRAIN

Catalog Number	Description
KD4AL0050	Aluminum Drain 1/2" NPT



WAEK115

WAEK115NDH

WAEKDF

WGS1008

WGNDKT

FEATURES-SPECIFICATIONS

ELECTRICAL INTERLOCKS

The WAEK115 is designed to be used with standard door latching mechanisms. When turned on, this interlock will prevent the door handle from being turned to open the door. This interlock is designed to fit handles in the following enclosures:

- All two door NEMA 12 enclosures
- Free standing NEMA 12 enclosures
- All consoles
- All single door NEMA 12 enclosures which have 3 pt handle mechanisms
- Two door NEMA 12 enclosures for flange-mounted disconnects
- Modular NEMA 12 enclosures
- Multi-door NEMA 12 enclosures

The WAEK115NDH is designed to be used with standard enclosures that have no handles. This interlock requires drilling several holes in the cover and the body for mounting.

ELECTRICAL INTERLOCKS

Catalog Number	Description	Volts/HZ
WAEK115	Electrical interlock	120/60
WAEK115NDH	Electrical interlock	120/60

INTERLOCK DEFEATER

- This defeater is key operated and enables personnel to enter an enclosure while the enclosures internal components are energized. Turning the key disengages the circuit to the electrical interlock

INTERLOCK DEFEATER

Catalog Number	Description
WAEKDF	Defeater

GROUNING KIT

- Field Grounding Kit
- Includes necessary parts to properly ground enclosure

GROUNING KIT

Catalog Number	Description
WGNDKT	Grounding Kit
WGS1008	Grounding Strap 8"
WGS1016	Grounding Strap 16"



GROUND SCREW KIT

Catalog Number	Description
WGNSD10	Ground Screw Kit (10PK)
WGNSD50	Ground Screw Kit (50PK)



WA0808JTMA

FEATURES-SPECIFICATIONS

**TERMINAL KIT ASSEMBLIES,
BLOCKS AND STRAPS FOR
ALL SMALL JIC NEMA 12
AND JIC-NEMA 4 BOXES**

- Provides a strong, versatile means for mounting terminal blocks in JIC boxes and other enclosures
- Easily installed bracket assembly accommodates the desired number of terminal straps or block strips
- Bracket assembly consists of two white enamel brackets which mount on weldnuts
- Terminal block strip (ordered separately) is Buchanan Type MD for wire sizes No. 22 through 10, mounted on a single terminal strap. Block strips attach where desired by spring locking nuts. Order brackets, terminal

straps and block strips by part number shown below

HOW TO ORDER

- Each enclosure requires one bracket assembly plus the desired number of terminal straps. The bracket assembly and the terminal straps must be ordered separately
- To select the correct terminal strap, determine whether the terminal straps will be mounted parallel to the height or width dimension. Specify the number of straps desired, checking usable space for the enclosure ordered
- To select the correct bracket assembly, determine whether the bracket will be mounted parallel to height or width dimension of enclosure. Refer to the chart and specify the correct bracket by catalog number. One bracket is needed for each row of collar studs parallel to the brackets

BRACKET ASSEMBLIES FOR SMALL JIC NEMA 12 AND JIC NEMA 4 ENCLOSURES

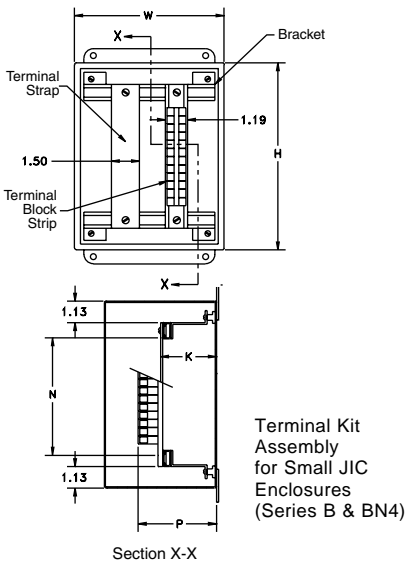
Catalog Number	Dimension Parallel to Brackets	K	P	N
WA0806JTMA	6.00 (152)	1.56 (40)	2.75 (70)	2.63 (67)
WA0808JTMA	8.00 (203)	1.56 (40)	2.75 (70)	4.63 (118)
WA1010JTMA	10.00 (254)	2.81 (71)	4.00 (102)	6.53 (166)
WA1212JTMA	12.00 (305)	2.81 (71)	4.00 (102)	8.53 (217)
WA1614JTMA	14.00 (356)	2.81 (71)	4.00 (102)	10.53 (267)

TERMINAL BLOCK STRIP/DIN RAIL

Catalog Number	Dimension Parallel to Strip	Terminal Blocks Per Strip #	Usable Space N
WA08JB	8.00 (203)	8	4.63 (118)
WA10JB	10.00 (254)	12	6.53 (166)
WA12JB	12.00 (305)	16	8.53 (217)
WA14JB	14.00 (356)	20	10.53 (267)
WA16JB	16.00 (406)	24	12.53 (318)

TERMINAL STRAPS

Catalog Number	Enclosure Dimension Parallel to Strap	Usable Space N
WA08JS	10.00 (254)	6.63 (168)
WA10JS	10.00 (254)	6.63 (168)
WA12JS	12.00 (305)	8.63 (219)
WA14JS	14.00 (356)	10.63 (270)
WA16JS	16.00 (406)	12.63 (321)



NOTE: Terminal blocks are not included. Be sure to order one bracket assembly plus the desired number of terminal straps for each enclosure.



WA16NTMA2

FEATURES-SPECIFICATIONS

TERMINAL KIT ASSEMBLIES AND STRAPS FOR NEMA TYPE 4, 12 AND 13 ENCLOSURES

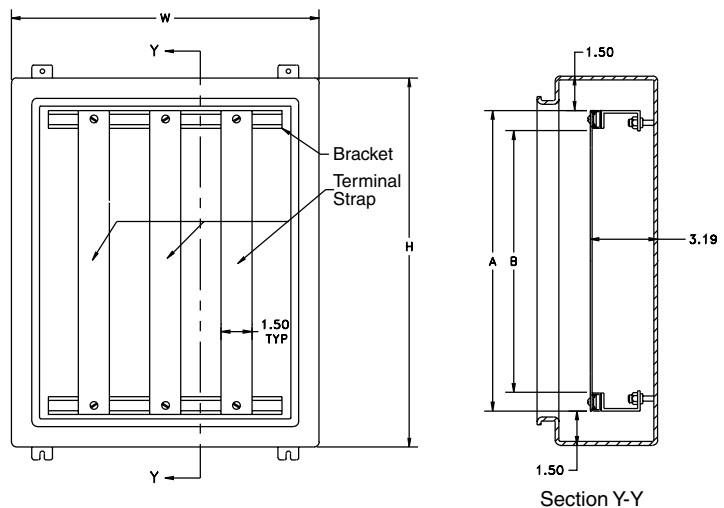
- Provides strong, versatile and easily-installed terminal block mounting supports
- For use on extra large NEMA Type 4, 12 or 13 and large JIC enclosures
- Each bracket assembly consists of two or three brackets which mount on the enclosure collar studs
- Mounting straps can be positioned anywhere along the brackets and are held in place by spring locking nuts. This makes wiring easy and provides for the addition of more straps at a later date
- Standard finish in white polyester powder
- Brackets may be installed parallel to the height or width dimension. Each enclosure requires one bracket assembly and the desired number of terminal straps

BRACKET ASSEMBLIES FOR NEMA 4, 12, & 13 ENCLOSURES – BRACKET ASSEMBLY

Catalog Number	Number of Brackets	Bracket Length	For Enclosure Width
WA12NTMA2	2	9.00 (229)	12.00 (305)
WA16NTMA2	2	13.00 (330)	16.00 (406)
WA20NTMA2	2	17.00 (432)	20.00 (508)
WA24NTMA2	2	21.00 (533)	24.00 (610)
WA24NTMA3	3	21.00 (533)	24.00 (610)

TERMINAL STRAPS

Catalog Number	Number of Straps	A	B	For Enclosure Width
WA12T	1	9.00 (229)	7.75 (197)	12.00 (305)
WA16T	1	13.00 (330)	11.75 (298)	16.00 (406)
WA20T	1	17.00 (432)	15.38 (391)	20.00 (508)
WA24T	1	21.00 (533)	19.75 (502)	24.00 (610)
WA30T	1	27.00 (686)	25.75 (654)	30.00 (762)
WA36T	1	33.00 (838)	31.75 (806)	36.00 (914)
WA42T	1	39.00 (991)	37.75 (959)	42.00 (1067)
WA48T	1	45.00 (1143)	43.75 (1111)	48.00 (1219)





FK0612

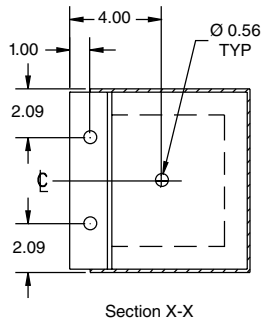
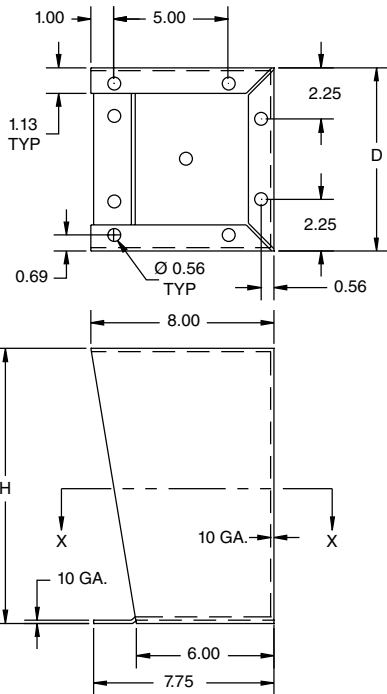


SSFK1216

FEATURES-SPECIFICATIONS

FLOOR STAND KIT

Catalog Number		Floor Stand Height	Enclosure Size "D"
Carbon Steel	Stainless Steel		
FK0608	SSFK0608	6.00 (152)	8.00 (203)
FK0610	SSFK0610	6.00 (152)	10.00 (254)
FK0612	SSFK0612	6.00 (152)	12.00 (305)
FK0618	SSFK0618	6.00 (152)	18.00 (457)
FK0624	SSFK0624	6.00 (152)	24.00 (610)
FK1208	SSFK1208	12.00 (305)	8.00 (203)
FK1210	SSFK1210	12.00 (305)	10.00 (254)
FK1212	SSFK1212	12.00 (305)	12.00 (305)
FK1216	SSFK1216	12.00 (305)	16.00 (406)
FK1218	SSFK1218	12.00 (305)	18.00 (457)
FK1220	SSFK1220	12.00 (305)	20.00 (508)
FK1224	SSFK1224	12.00 (305)	24.00 (610)
FK1808	—	18.00 (457)	8.00 (203)
FK1810	—	18.00 (457)	10.00 (254)
FK1812	—	18.00 (457)	12.00 (305)
FK1816	—	18.00 (457)	16.00 (406)
FK2408	—	24.00 (610)	8.00 (203)
FK2410	SSFK2410	24.00 (610)	10.00 (254)
FK2412	SSFK2412	24.00 (610)	12.00 (305)





Casters



Panel Supports



Stabilizers

FEATURES-SPECIFICATIONS

CASTERS

- Casters can be used on any enclosure to provide mobility
- Caster kits include two swivel casters and two stationary casters along with all necessary mounting hardware

CASTERS

Catalog Number	Description
WC10C	Set of 4 casters, 2-16" mounting plates and hardware
WC12C	Set of 4 casters, 2-14" mounting plates and hardware

PANEL SUPPORTS

- Provides additional support for panels on which heavy instruments are mounted
- The panel supports are adjustable so the weight of the panel is partially supported by the bottom of the enclosure
- White polyester powder finish

PANEL SUPPORTS

Catalog Number	Description
WAPS03	Two panel supports for 1-door and 2-door enclosures where the distance from the bottom of the panel to the bottom of the enclosure is less than 2-1/4 inches
WAPS09	Two panel supports for freestanding or multi-door enclosures where the distance from the bottom of the panel to the bottom of enclosure is between 2-7/8 inches and 8-1/2 inches

STABILIZERS

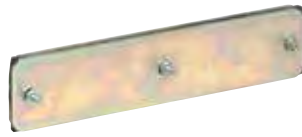
- Designed to prevent injury to workers by stabilizing floor mounted enclosures that are not bolted down. Stabilizers slip under the floor stands and are secured by tightening bolts
- ANSI 61 gray polyester finish

STABILIZERS

Catalog Number	Description
WAENST	Two stabilizers



WA21ABA



WA22BAP



WARAK24

FEATURES-SPECIFICATIONS

OPERATOR ADAPTER PLATES

- Used on all disconnect enclosures with universal flange cutouts
- An operator adapter plate is required to install a disconnect in all enclosures with a universal cutout on pages G27-G48
- Operator adapters include an adapter plate and additional parts used to interlock the master door with the disconnect operating mechanism. Panel drilling and installation instructions are furnished with each adapter
- Each brand and type of disconnect requires a different operator adapter. It is important to select the proper operator adapter and enclosure for the disconnect that you have selected

OPERATOR ADAPTER PLATES

Catalog Number	Description
WA21ABA	Allen-Bradley 1494F and 1494D
WA21ABVA	Allen-Bradley 1494V, 140U, 1494C, 194RC
WA21CHVA	Eaton Cutler-Hammer C361, C371 and C371 Flex Shaft™
WA21CHVA	ABB Controls Variable Depth, S1, S2, T5 cable size
WA21FUFA	Fuji
WA21GETDA	General Electric STDA
WA21ITE	Siemens ITE Max-Flex™, ABB Controls Cable S3-S5, S6, S7
WA21SDA	Schneider Square D® Class 9422, (variable depth and cable mechanism)
WA21WHA	Eaton Cutler-Hammer/WestinghouseSM

BLANK ADAPTER PLATES

- Used to cover flange cutouts in disconnect enclosures when disconnects are not installed. This greatly increases the versatility of the disconnect enclosures, enabling them to also be used as regular Type 12 enclosures
- Wiegmann blank adapter plates are made from heavy gauge steel, with oil-resistant gasket to maintain the dust-tight and oil-tight qualities of the enclosure
- All blank adapter plates are painted ANSI 61 gray polyester powder
- All necessary mounting hardware and instructions is included

BLANK ADAPTER PLATES

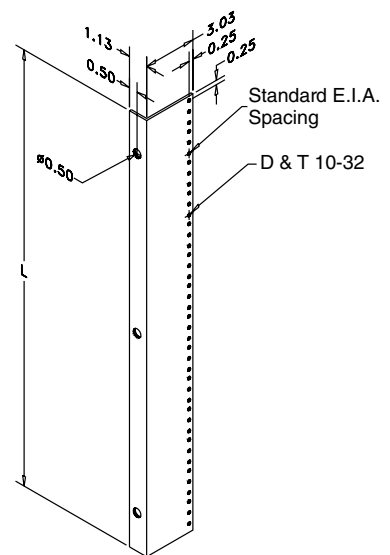
Catalog Number	Description
WA21BAP	Blank adapter for universal cutouts on pages G27-G48
WA22BAP	Blank adapter for enclosures on page G24
WA3456BAP	Blank adapter for single door wall-mount enclosures on pages G2-G13

RELAY RACK ANGLE KIT (FOR WALL-MOUNTS)

- For NEMA 12, NEMA 4 and NEMA 412 wall-mount enclosures. Designed for installing 19 inch rack-mounted equipment in 24 inch wide enclosures. Small holes are pre-tapped at 10-32
- To install, drill holes in the side of the enclosure and bolt the angles in place
- Sealing washers are also provided to maintain original NEMA rating after installation

RELAY RACK ANGLE KIT

Catalog Number	Angle Length "L"	Description
WARAK24	23.63 (600)	Two Angles
WARAK30	29.63 (753)	Two Angles
WARAK36	35.63 (905)	Two Angles





FEATURES-SPECIFICATIONS

NEMA 1 TYPE 1/4-LATCH

- Designed for field installation in standard NEMA 1 enclosures
- Requires only a quarter turn to open and close
- Available in both the 1/4-turn latch or 1/4-turn key lock

NEMA 1 TYPE 1/4-LATCH

Catalog Number	Description
N1C14T	NEMA 1 1/4-turn latch
N1C14TKL	NEMA 1 1/4-turn key lock

NEMA 412 TAMPER RESISTANT LATCH KITS AND KEYS

- Designed for NEMA 412 enclosures
- Latch kits are tamper resistant
- Available in both 1-point or 3-point 1/4-turn kits
- All have either black matted finish or chrome finish

NEMA 412 TAMPER PROOF RESISTANT LATCH KITS

Catalog Number		Description
1 - Point	3 - Point	
N41214TTRI	N41214TTRI3	Triangular 1/4-turn keyed latch
N41214SQ	N41214SQ3	Square 1/4-turn keyed latch
N41214TVP	N41214TVP3	Double bit vibration proof 1/4-turn keyed latch

NEMA 412 TAMPER PROOF KEYS

Catalog Number	Description
N41214TTRIK	Triangular key
N41214SQK	Square key
N41214TVPK	Double bit vibration proof key

STAINLESS STEEL LOCK KIT FOR NEMA 412

- Designed for standard single door NEMA 412 enclosures
- Requires only a quarter turn to open and close
- Latch is water and dust tight
- Lock is stainless steel
- Can be used with N412 stainless steel enclosures

STAINLESS STEEL LOCK KIT FOR NEMA 412

Catalog Number		Description
1 - Point	3 - Point	
N41214TSS	N41214TSS3	Stainless steel 1/4-turn



FEATURES-SPECIFICATIONS

NEMA 412 LOCK KITS

- Designed for NEMA 412 enclosures
- Available in both 1-point or 3-point 1/4-turn latches
- All have either black matted finish or chrome finish

NEMA 412 LOCK KITS

Catalog Number		Description
1 - Point	3 - Point	
N41214T	N41214T3	Slotted chrome finish
N41214TB	N41214TB3	Slotted black matted finish
N41214TW	N41214TW3	Wing handle 1/4-turn latch
N41214TWPL**	N41214TWPL3	Padlocking 1/4-turn
N41214TTH	N41214TTH3	1/4-turn black matted tee handle
N41214TTHKL	N41214TTH3KL	1/4-turn black matted tee handle, key locking
N41214TBKL*	—	1/4-turn black key lock/dust cover

*NEMA 12 and 13 rating with dust cover only.

** Padlock hole size is 3/8" diameter.

LOCK KIT FOR NEMA 4 & 12 ENCLOSURES

- Designed for field installation in standard single door NEMA 3R, 4 and 12 enclosures
- Latch is water-tight and dust-tight
- It is necessary to drill or punch one hole in the cover to receive the latch
- Complete installation instructions are provided

LOCK KIT FOR NEMA 3R, 4 & 12 ENCLOSURES

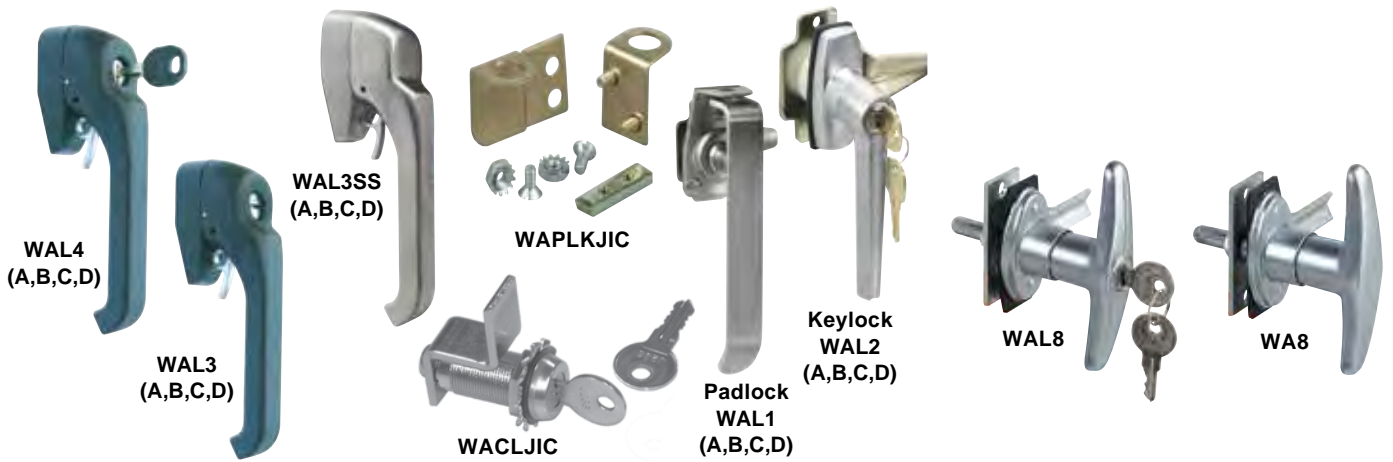
Catalog Number	Description
WACLSN12	1-point key lock

CLIP NUT PACKAGE

- Plated #10-32 clip nuts will fit all rack mounting angles with 7/32 diameter holes

CLIP NUT PACKAGE

Catalog Number	Description
W1032N	Clip nut (package of 20)



FEATURES-SPECIFICATIONS

LOCK KITS FOR JUNCTION BOXES

- Designed for field installation in standard single door JIC, BCH, BN4CH enclosures
- Latch is water-tight and dust-tight
- It is necessary to drill or punch one hole in the cover to receive the cylinder lock
- Complete installation instructions are provided

LOCK KITS FOR JUNCTION BOXES

Catalog Number	Description
WACLJIC	1-Point cylinder key lock
WAPLKJIC	Padlock lock kit
WAPLKJICSS	SS Padlock lock kit

WAL3(A-D)SS, 316LSS, N4X PADLOCKING HANDLE

Catalog Number	Description
WAL3ASS	1-Point latch kit
WAL3BSS	3-Point latch kit where H = 16", 20", 24" or 30" H
WAL3CSS	3-Point latch kit where H = 36", 42" or 48" H
WAL3DSS	3-Point latch kit where H = 60" or 72" H

LATCH KITS FOR SINGLE DOOR ENCLOSURES

- Designed for field installation in standard single door NEMA 3R, 4 and 12 enclosures
- Latch is water-tight and dust-tight
- It is necessary to drill or punch one hole in the cover to receive the latch
- Complete installation instructions are provided

LATCH KITS FOR SINGLE DOOR ENCLOSURES

Catalog Number		
Padlock Handle	Key Lock Handle	Description
WAL1A	WAL2A	1-Point latch kit
WAL3A‡	WAL4A*‡	1-Point latch kit
WAL1B	WAL2B	3-Point latch kit where H is 16", 20", 24" or 30"
WAL3B‡	WAL4B*‡	3-Point latch kit where H is 16", 20", 24" or 30"
WAL1C	WAL2C	3-Point latch kit where H is 36", 42", or 48"
WAL3C‡	WAL4C*‡	3-Point latch kit where H is 36", 42", or 48"
WAL1D	WAL2D	3-Point latch kit where H is 60" or 72"
WAL3D‡	WAL4D*‡	3-Point latch kit where H is 86" or 90"

*Combo Key/Padlocking Handle
‡ N4/4X Rated Handles

KEYS FOR LATCH KITS

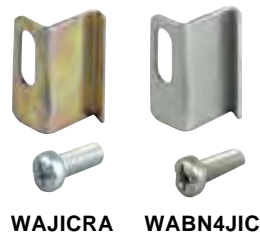
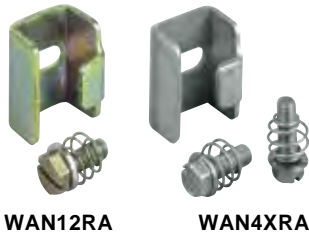
Catalog Number	Description
N41214TVPK	Key for N121TVP
N41214SQK	Key for N1214SQ, & N412SQ3
N41214TTRIK	Key for N41214TTRI
WAL2KEY	Key for WAL2A-WAL2D
WACLSN12KEY	Key for WACLSN12
WAEMKA4	Replacement Key for WAL3/WAL4 Series
WAL12KEY	Key for WAL12AR-WAL12B
WAL8KEY	Key for Tee Handle (WAL8)

NEMA 1 TYPE T HANDLE LATCH & CYLINDER LOCK KITS

- The "T" handles are intended to be used on various NEMA 1. Not suitable for water-tight applications
- Cylinder locks are designed for field installation in the small and large NIC enclosures. Latch is water and dust tight.
- It is necessary to drill a hole in the door to receive latch
- Latch has chrome plated finish

HANDLE LATCH & CYLINDER LOCK KITS

Catalog Number	Description
WAL8	1-Point "T" locking handle
WA8	1-Point "T" non locking handle



FEATURES-SPECIFICATIONS

REPLACEMENT CLAMP ASSEMBLIES

- Designed for use as replacement clamps on JIC, NEMA 4, 4X & 12 enclosures. All necessary parts are included

REPLACEMENT CLAMP ASSEMBLIES

Catalog Number	Description
WAJICRA	N12 JIC Assembly includes: clamp & screw
WABN4JIC	N4 JIC Assembly includes: clamp & screw (304SS)
WABN4JICA	N4 JIC Assembly includes: clamp & screw (316SS)
WAN12RA	N12 Assembly includes: clamp, screw, spring, washers(2)
WAN4XRA	N4X Assembly includes: clamp, screw, spring, washers (2) (304SS)
WAN4XRAA	N4X Assembly includes: clamp, screw, spring, washers (2) (316SS)

TOGGLE LATCH FOR NEMA 4 AND 4X FREE STANDING ENCLOSURES

- Provides quick access to NEMA 4 and 4X freestanding enclosures. The stainless steel toggle latches replace the stainless steel bolts used with conventional door clamps
- Operation of the toggle releases the door clamp so the door can be opened easily without tools

TOGGLE LATCH FOR TYPE NEMA 4X FREE STANDING ENCLOSURES

Catalog Number	Description
WAFT44XSS	304 stainless steel (package of 2)
WAFT44XSSA	316 stainless steel (package of 2)



SL24265VMS

PCSLW118

SL24265VOOS

DCCSLW19

FEATURES-SPECIFICATIONS

Applications

Used where illumination is needed inside of an enclosure. Door switch can be utilized in conjunction with on/off switch light model for auto illumination when enclosure door is opened

Features

- Available with motion sensor or on/off switch
- Motion sensor version detects the motion of the enclosure door being

opened and automatically turns light on

- The sensor is factory pre-set to turn the light off 5 minutes after motion ceases
- Combined AC & DC voltage range allows the universal use with a single model
- Daisy chain cables allows the user to connect up to 16 lights with AC voltage and up to 8 lights with DC voltage

- Wieland connectors for fast and easy installation
- Includes both magnets and screw mount clip for mounting to all types of surfaces with no need for additional mounting accessories
- Long light service life of 60,000 hours

LED STRIP LIGHTS

Catalog Numbers	Operating Voltage	Activation Method	Light Intensity	Lamp Type	Supplied Mounting Method	Dimensions (HxWxD)
SL24265VMS	24-265V AC/DC, 50/60 Hz	Motion Sensor	400	LED, 120 degree angle	Magnet and Screw Mount	14.07x1.26x1.40 (357x32x36)
SL24265VMS	24-265V AC/DC, 50/60 Hz	Motion Sensor	400	LED, 120 degree angle	Magnet and Screw Mount	14.07x1.26x1.40 (357x32x36)
SL24265VOOS	24-265V AC/DC, 50/60 Hz	On/Off Switch	400	LED, 120 degree angle	Magnet and Screw Mount	14.07x1.26x1.23 (357x32x31)
SL24265VOOS	24-265V AC/DC, 50/60 Hz	On/Off Switch	400	LED, 120 degree angle	Magnet and Screw Mount	14.07x1.26x1.23 (357x32x31)

NEW ACCESSORIES

Catalog Numbers	Product Description	Voltage AC	Frequency	Current Rating	Voltage DC	Rated Currency	Dimensions (HxWxD)
CSLF	Connector, Strip Light, Female	—	—	—	—	—	—
CSLM	Connector, Strip Light, Male	—	—	—	—	—	—
PCSLW118	Cable, Power, Strip Light, Female 1 End, 118"	—	—	—	—	—	—
DCCSLW19	Cable, Daisy Chain, Strip Light, Male/Female, 19"	—	—	—	—	—	—
DCCSLW39	Cable, Daisy Chain, Strip Light, Male/Female, 39"	—	—	—	—	—	—
CDS138	Cable, Strip Light to Door Switch, Female, 138"	—	—	—	—	—	—
DSPP	Door Switch, End Limit, Plain Plunger	24 - 400V	50/60 Hz	10 - 1.8 A	24 - 250V	28 - 0.27 A	2.80x1.19x1.18 (71x30x30)
DSRP	Door Switch, End Limit, Roller Plunger	24 - 400V	50/60 Hz	10 - 1.8 A	24 - 250V	28 - 0.27 A	3.30x1.19x1.18 (84x30x30)
DSPPRB	Door Switch, End Limit, Plain Plunger w Release Button	24 - 400V	50/60 Hz	10 - 1.8 A	24 - 250V	28 - 0.27 A	3.56x1.19x1.53 (90x30x39)
SDLS	Slide, Door Limit Switch	—	—	—	—	—	2.56x1.57x0.45 (65x40x11)



WNV6LED



GREEN
LED



RED
LED



AMBER
LED



BLUE
LED



CLEAR
LED

FEATURES-SPECIFICATIONS

LED WORK/TROUBLE LIGHTS

Applications

Provides illumination on the inside of an enclosure. Utilizes LED source with long life (50,000 maintenance-free hours).

Features

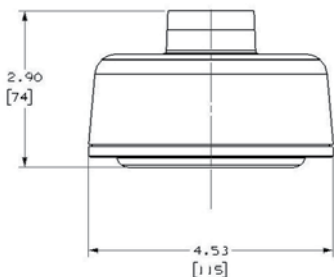
- Crisp white light with 6 Watt output of approximately 485 lumens
- Compact in size 3/4" NPT pendant fixture
- Housing of high strength 30% glass-filled thermoset polyester with clear polycarbonate diffuser

LED SIGNAL LIGHTS

WNV SERIES WORK LIGHTS

Catalog Number	Description
WNV6LED	6 Watt head only*

*Consult factory for power supply to be mounted elsewhere inside enclosure.



Applications

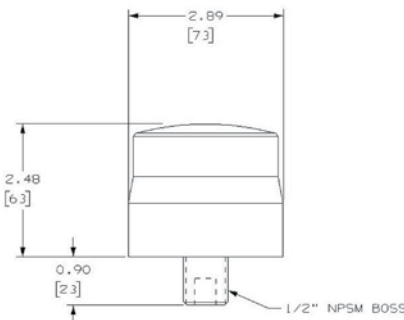
When mounted to the outside of an enclosure, can serve as a warning device or to signal an event or occurrence.

Features

- 50,000 hour expected life; steady-on (ST) or flashing (FL)
- Utilizes inverted cone design to provide full 360 degree coverage for more light projection
- Available in five colors – red, green, amber, blue and clear
- Flash rate is approximately 7 micro flashes per second
- Can be mounted with the lens in the UP or SIDE position
- Includes gasket and locknut
- Maintains N4X seal



TYPICAL
INSTALLATION



WL SERIES SIGNAL LIGHTS

Catalog Number	Description
WLFG25A	AMB LED FL 120-240VAC
WLFG25B	RED LED FL 120-240VAC
WLFG25C	GRN LED FL 120-240VAC
WLFG25G	BLU LED FL 120-240VAC
WLFG25R	CLR LED FL 120-240VAC
WLFG26A	AMB LED FL 12-80VAC
WLFG26B	RED LED FL 12-80VAC
WLFG26C	GRN LED FL 12-80VAC
WLFG26G	BLU LED FL 12-80VAC
WLFG26R	CLR LED FL 12-80VAC
WLSG25A	AMB LED ST 120-240VAC
WLSG25B	RED LED ST 120-240VAC
WLSG25C	GRN LED ST 120-240VAC
WLSG25G	BLU LED ST 120-240VAC
WLSG25R	CLR LED ST 120-240VAC
WLSG26A	AMB LED ST 12-80VAC
WLSG26B	RED LED FL 12-80VAC
WLSG26C	GRN LED FL 12-80VAC
WLSG26G	BLU LED FL 12-80VAC
WLSG26R	CLR LED FL 12-80VAC

INTENSITY IN CANDELLAS

Color	Flashing	Steady
Amber	4.3 / 7.4*	11.3
Red	5.9 / 10.1*	15.4
Green	4.5 / 7.8*	11.8
Blue	2.5 / 4.3*	6.6
Clear	4.8 / 8.2*	12.5

* CD-S/CD-Effective

ELECTRICAL RATINGS MAXIMUM

Catalog Number	Description
120VAC	040mA Flash
240VAC	020mA Flash
12VDC	400mA
80VDC	60mA
24VAC	198mA Flash



FEATURES-SPECIFICATIONS

VAPOR CAPSULES

Applications

Corrosion inhibiting (VCI) Vapor Capsules contain proprietary chemical systems which emit an invisible, odorless, nontoxic vapor which is diffused throughout an enclosure. By placing these self-contained capsules inside an enclosure, the vapors permeate to every available surface. The condensed VCI molecules passivate iron, steel, copper, brass, and aluminum.

Features

- “Peel and stick” adhesive allows application anywhere inside the enclosure
- All capsules include a date installed field to monitor life span
- Estimated life span for all capsules is one year
- Recommended shelf life under normal conditions is one year. Corrosion inhibitor products are not returnable. Corrosion inhibitors should be stored at temperatures not exceeding 120°F (45°C)

Positioning of Capsule

It is important to note that the volume protected against corrosion is decidedly different with the placement of the vapor capsule. For optimal protection, the capsule should be placed as close to the center of the enclosure as possible. Side mounting (such as to the door) is often the most practical and still offers, in most cases, excellent coverage.

WVC VAPOR CAPSULES

Catalog Number	Enclosure Volume Protection (Cu. Ft.)	Packaging Quantity	Dimensions HxWxD
WVC1-1	4.2	50	0.75x2.13x1.00 (19x54x25)
WVC2-1	33.9	25	0.88x2.13x1.25 (22x54x32)
WVC6-1	905	4	2.00x8.00x4.00 (51x203x102)

**Sold in package quantity only*

DESICCANT PACKETS

Applications

Industrial desiccant packets absorb airborne moisture within electrical and electronic enclosures therefore eliminating the possibility of internal component and enclosure corrosion.

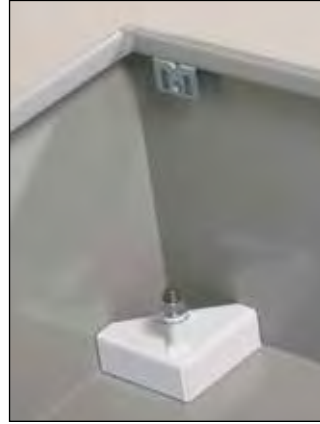
Features

- Individual packets used in enclosures ranging from 1 cubic feet or less up to 20 cubic feet in volume
- Can use combination of different packet sizes to protect enclosures over 20 cubic feet in volume
- Desiccant packets are non-toxic and safe for human contact
- Each packet capable of absorbing over 500 times its own weight in water
- Outperforms traditional silica gels, calcium sulfates, and activated clay products
- To extend shelf life, each packet is individually wrapped in foil
- Recommended shelf life under normal conditions is one year. Corrosion inhibitor products are not returnable. Corrosion inhibitors should be stored at temperatures not exceeding 120°F (45°C)

NOTE: All conduit openings should be sealed with a high quality putty, duct seal, or encapsulant in order for desiccant packets to be 100% effective.

WWG VAPOR CAPSULES

Catalog Number	Enclosure Volume Protection (Cu. Ft.)	Packaging Quantity	Dimensions HxWxD
WWG11-1	1 and less	25	1.00x1.00x.13 (25x25x3)
WWG12-1	1 to 2	25	1.00x2.00x.13 (25x51x3)
WWG13-1	2 to 3	25	1.00x3.00x.13 (25x76x3)
WWG22-1	2 to 3	25	2.00x2.00x.13 (51x51x3)
WWG25-2	3 to 4	10	2.00x5.00x.13 (51x127x3)
WWG33-1	4 to 5	10	3.00x3.00x.13 (76x76x3)
WWG37-3	5 to 10	10	3.00x7.00x.13 (76x178x3)
WWG77-6	10 to 20	10	7.00x7.00x.13 (178x178x3)



FEATURES-SPECIFICATIONS

SWING OUT PANEL

Swing panels are designed to mount internal equipment directly behind the main enclosure door. Maximum swing is 107 degrees. Convenient access to sub enclosure is provided via 1/4 turn pull-tab. On solid doors, the clearance from the swing panel face to the interior door face is 1-1/4", and 1" on window doors (when the door is closed). The kit includes the swing panel, brackets and hardware necessary for a tub flange install. Swing out panels meet NEMA 1 with enclosure door open.

Finish: White Polyester Powder.

Note: Swing out panel can also be mounted on front-to-back adjustable depth mounting kits, or rear panel studs (adjustable mounting kits must be purchased separately.)

For all N412C enclosures

PANEL CONVERSION KIT

These kits allow you to utilize standard NEMA "NP" (non Ultimate panels) within Ultimate enclosures. Simply bolt the conversion brackets over the top of existing studs, then install the Ultimate sub panel. Kit includes four adapter plates and hardware for mounting Ultimate back panels.

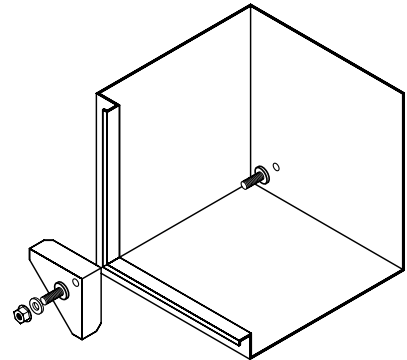
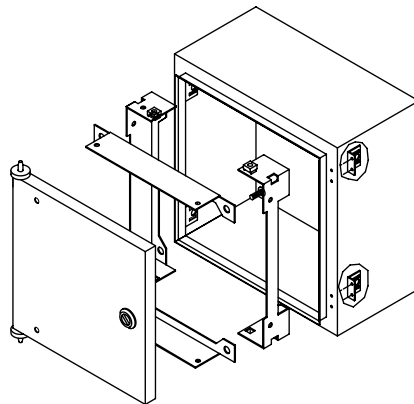
Finish: White Polyester Powder.

PANEL CONVERSION KIT

Catalog Number	Description
HFWCNP4C	Anything 30H X 30W or less

SWING OUT PANEL

Catalog Number	For Enclosure Size
HFWNSP1212C	12 X 12 (H X W)
HFWNSP1612C	16 X 12 (H X W)
HFWNSP1616C	16 X 16 (H X W)
HFWNSP2016C	20 X 16 (H X W)
HFWNSP2416C	24 X 16 (H X W)
HFWNSP1620C	16 X 20 (H X W)
HFWNSP2020C	20 X 20 (H X W)
HFWNSP2420C	24 X 20 (H X W)
HFWNSP3020C	30 X 20 (H X W)
HFWNSP2024C	20 X 24 (H X W)
HFWNSP2424C	24 X 24 (H X W)
HFWNSP3024C	30 X 24 (H X W)
HFWNSP3624C	36 X 24 (H X W)
HFWNSP3030C	30 X 30 (H X W)
HFWNSP3630C	36 X 30 (H X W)
HFWNSP3636C	36 X 36 (H X W)



***Time Saver Note: Tired of all the extensive labor when removing the competitors' swing panel to adjust the multi-depth brackets, then re-installing the swing panel? How many times have you had to adjust because of different depth instruments? Wiegmann has solved the problem! Simply use the hole access area on the swing panel, loosen the screws and adjust your swing panel. Once the correct dimension is reached, simply tighten the screw and you are ready to go!*



FEATURES-SPECIFICATIONS

ADJUSTABLE DEPTH MOUNTING KIT

Adjustable depth mounting kits allow customers to slide various accessories from front to back. They fit all Ultimate Series depths.

If an adjustable depth is required, then these kits must be purchased when using the following: swing out panels, DIN rails, rack angles, mounting channels and grid straps.

Kit includes slide mechanisms and hardware to mount. Use two kits when enclosure has 6 collar studs for mounting panel.

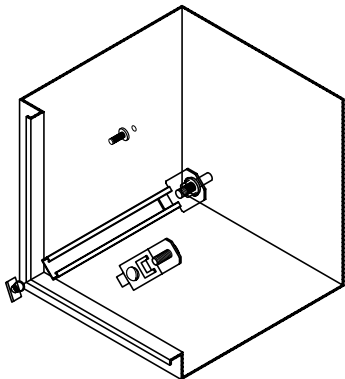
Finish: White Polyester Powder

Note: Dead front panel CANNOT be mounted on adjustable mounting kit.

For all N412C enclosures

ADJUSTABLE DEPTH MOUNTING KIT

Catalog Number	For Enclosure Size
HFWADM64C	6" depth enclosure W/4 COLLAR STUDS
HFWADM84C	8" depth enclosure W/4 COLLAR STUDS
HFWADM82C	8" depth enclosure W/2 ADDITIONAL STUDS
HFWADM104C	10" depth enclosure W/4 COLLAR STUDS
HFWADM102C	10" depth enclosure W/2 ADDITIONAL STUDS
HFWADM124C	12" depth enclosure W/4 COLLAR STUDS
HFWADM122C	12" depth enclosure W/2 ADDITIONAL STUDS



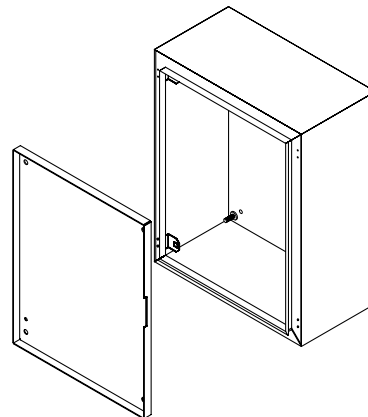
DEAD FRONT KIT

Looking for a fixed sub mounting surface but need it installed directly behind the door, then this is the kit for you. The clearance from the Dead panel face to the interior door face is 1-5/16" on solid doors, and 1-1/16" on window doors. Dead Front Kits are secured via four pan head screws. Kit includes mounting brackets, grounding hardware, and a carbon steel panel finished with white polyester powder paint. Dead Fronts meet NEMA 1 with enclosure door open.

Note: Dead Front kits CANNOT be mounted on adjustable mounting kits.

DEAD FRONT KIT

Catalog Number	For Enclosure Size
HFWDF1212C	12 X 12 (H X W)
HFWDF1612C	16 X 12 (H X W)
HFWDF2016C	20 X 16 (H X W)
HFWDF2020C	20 X 20 (H X W)
HFWDF2420C	24 X 20 (H X W)
HFWDF2424C	24 X 24 (H X W)
HFWDF3024C	30 X 24 (H X W)





GRID STRAPS



MOUNTING CHANNEL



RACK MOUNTING ANGLES



DIN RAIL KIT

FEATURES-SPECIFICATIONS

MOUNTING CHANNEL

Mounting Channels can be used when installing Din rails, grid straps, and rack mounting angles. Channels can be mounted both vertically or horizontally to collar studs, or they may be mounted to Adjustable Depth Mounting Kits. Each kit includes two channels.

Finish: White Polyester Powder.

MOUNTING CHANNELS

Catalog Number	For Enclosure Size
HFWMC12C	WHEN H OR W = 12"
HFWMC16C	WHEN H OR W = 16"
HFWMC20C	WHEN H OR W = 20"
HFWMC24C	WHEN H OR W = 24"
HFWMC30C	WHEN H OR W = 30"
HFWMC36C	WHEN H OR W = 36"
HFWMC42C	WHEN H OR W = 42"
HFWMC48C	WHEN H OR W = 48"
HFWMC60C	WHEN H OR W = 60"

RACK MOUNTING ANGLES

Rack mounting angles allow the installation of 19" rack-mounted equipment in 24" wide enclosures. "L" shaped thru-hole angles may be fixed to the enclosure flange, or used in combination with the Adjustable Depth Mounting Kits. Thru-hole diameters are .281". Brackets are fabricated from pre-galvanized steel. Mounting hardware and two angles are provided.

Note: W1032N clip nuts must be purchased separately.

RACK MOUNTING ANGLES

Catalog Number	For Enclosure Size
HFWRA20C	20"H
HFWRA24C	24"H
HFWRA30C	30"H
HFWRA36C	36"H
HFWRA48C	48"H

GRID STRAPS

Grid Straps are used when a flexible means of installing components are required. Straps are available in single or three hole widths. Straps can be mounted both vertically or horizontally to collar studs, or they may be mounted to Adjustable Depth Mounting Kits. Two straps and mounting hardware are included within (fasteners must be ordered separate).

DIN RAIL KIT

DIN rails supply mounting surfaces for DIN mount snap-on devices. Rails can be mounted both vertically or horizontally to collar studs, or they may be mounted to Adjustable Depth Mounting Kits. Kit includes three rails and mounting hardware.

Finish: plated.

DIN RAIL KIT

Catalog Number	For Enclosure Size
HFWDR12C	When H or W = 12"
HFWDR16C	When H or W = 16"
HFWDR20C	When H or W = 20"
HFWDR24C	When H or W = 24"

SPRING NUT AND SCREW PACKAGE

The package includes 20 1/4 - 20 spring nuts and 20 1/4 - 20 screws. They can be used for additional mounting on mounting channels and light bracket channels.

Catalog Number: WADS1420CN

GRID STRAPS

Catalog Number	Description	For Enclosure Size
HFWGS12C	Grid Straps - 1 Hole Wide	When H or W = 12"
HFWGS16C	Grid Straps - 1 Hole Wide	When H or W = 16"
HFWGS20C	Grid Straps - 1 Hole Wide	When H or W = 20"
HFWGS24C	Grid Straps - 1 Hole Wide	When H or W = 24"
HFWGS30C	Grid Straps - 1 Hole Wide	When H or W = 30"
HFWGS36C	Grid Straps - 3 Hole Wide	When H or W = 36"
HFWGS42C	Grid Straps - 3 Hole Wide	When H or W = 42"
HFWGS48C	Grid Straps - 3 Hole Wide	When H or W = 48"
HFWGS60C	Grid Straps - 3 Hole Wide	When H or W = 60"

Note: Order separate grid fastener package catalog number HFWGSHC, consisting of 20 clip nuts and 20 1/4-20 pan head screws for mounting equipment to grid straps.

Section M

General Information/Sizing M2-M3

Guardian/Guardian X Series Air Conditioners M4

SlimKool Series Air Conditioners M13

Micro-Mini Series Air Conditioners M17

Compact Top Mount Series Air Conditioners

Vortex Coolers M19

FBF Series
Filtered Box Fans & Grilles M21-22

WAAXFN/WAGARD Series
Muffin Fans & Finger Guards M23

WAVK/WAFLT Series
Louver Plate & Filter Kits M24

RH/RHPC Series Radiant Heaters M26

WHVL Series Fan Heaters M27

FH Series Fan Heaters M28-30

TAN/TTA/TCT Series Thermostats M31

Thermostats/Humidistats/Hygrostats M32

STFX Series
Universal Thermostat Mount M33

WAFMP Series
Fan Mounting Plate Kit M34

FF Series Filter Fans
Filter Fan/Exhaust Filter/Mats M35-36

FF Series Filterfans M37-39

FFA Series Exhaust Grilles & Filter M40

ENVIRONMENTAL CONTROL



Wiegmann has always recognized that our customers in the electrical and electronic marketplace need reliable, high quality enclosures and environmental control products to meet their protection requirements. Protection Requirements today not only mandate NEMA TYPE 12, 3R, 4, & 4X, but also require a broad mix of BTU & size selections. Wiegmann is proud to offer those choices via a whole new line of A/C products. They are: Advantage Series, Trim Line Series, Micro-Mini Series, Integrity Series, and the Top Mount Series.

Three Basic Cooling Methods

When selecting a cooling method there are three types to consider.

1 *Passive Ventilation* — If there is only a minimal heat gain in your

circumstance, use of louvers or grilles with filters can be effective. This method, however, usually provides less cooling effect than is necessary with today's components.

2 *Forced Convection Air Cooling* — If the installation will be in a clean, non-hazardous environment with an acceptable ambient (outside the enclosure) temperature range, a simple forced-air cooling system utilizing outside air is usually adequate. Combined with an air filter, such devices generally meet the heat removal needs of typical electronic equipment and many electrical applications (Fig. 1). Examples of forced convection air cooling are filtered fans, fan trays, and blowers of various types.

3 *Closed-Loop Cooling* — In harsh environments involving high temperatures, wash-down requirements, heavy particulate matter or the presence of chemicals capable of damaging components (NEMA 4 or 12 environments), ambient air must be kept out of the enclosure. Closed-loop cooling consists of two separate circulation systems. One system, sealed against the ambient air, cools and recirculates the clean cool air throughout the enclosure. The second system uses ambient air or water to remove and discharge the heat. Examples of closed-loop cooling equipment employed with electronics and process controls are heat exchangers and air conditioners.

FIGURE 1 — Forced Convection Method

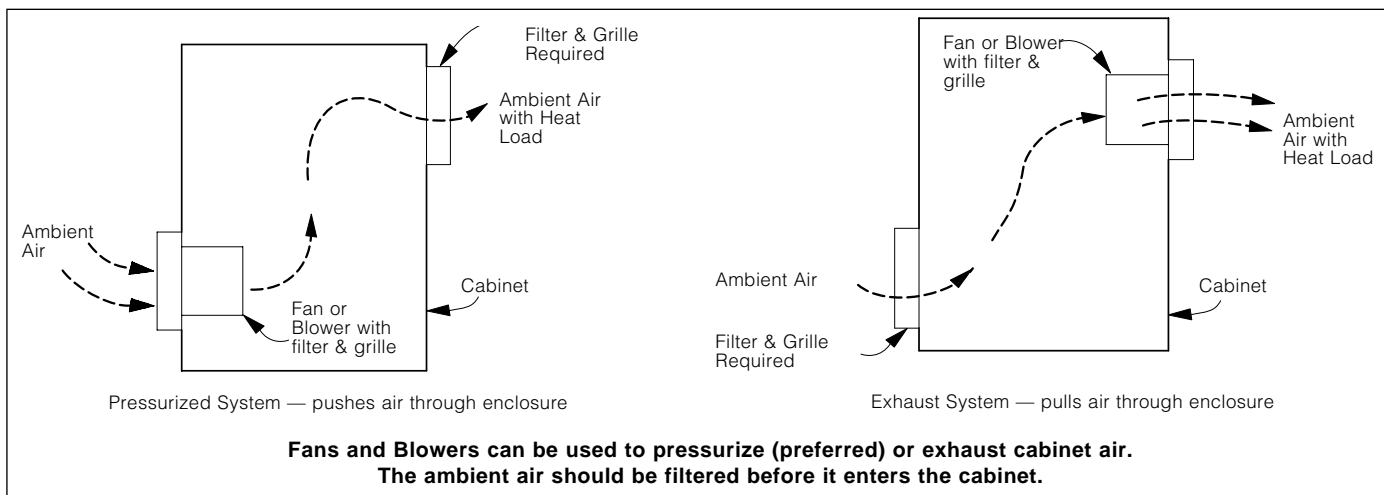
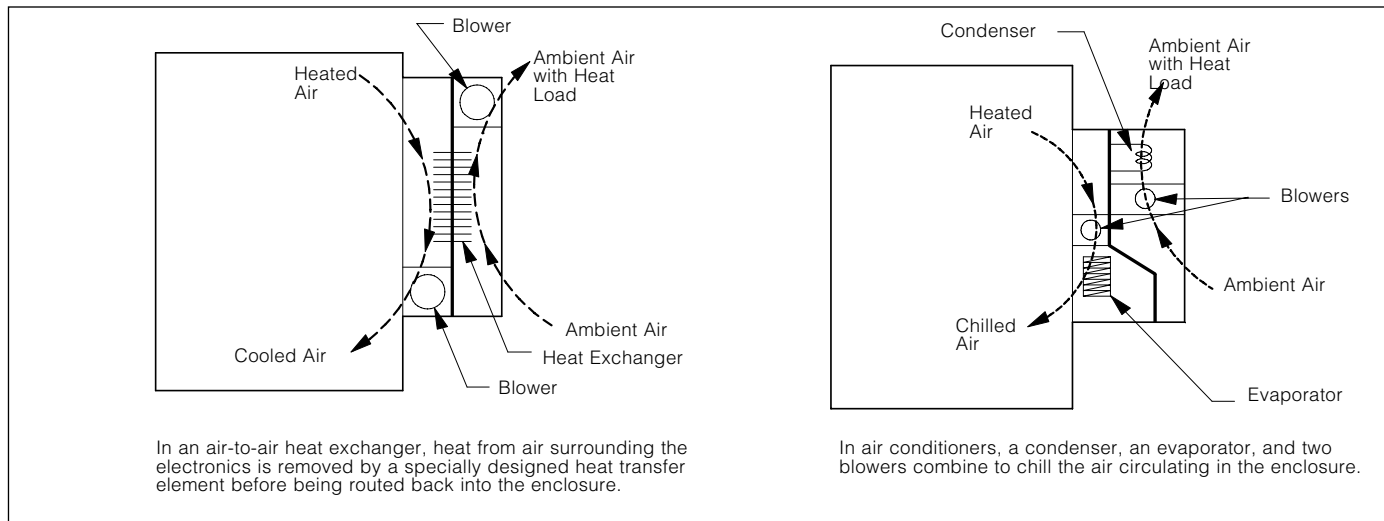


FIGURE 2 - Closed Loop Cooling Method



Cooling Control Cabinets

Most electrical & electronic control systems generate a substantial amount of heat during operation. This heat factor is intensified as controls are made more compact, perform more functions, and are placed in more confined areas. Additional problems are encountered when the electronic process control system is located on-site in an industrial setting, rather than in a clean computer room. The factory environment can be hostile to the point that performance and effective life of the electronic components are materially reduced, or the control system fails completely. Ambient temperature might be excessively high, as that found in a steel mill. Moisture-laden air and air-borne particulate matter might be present to adversely affect the electronic components, as in the paper manufacturing industry.

Air conditioners are designed to perform reliably under many of these harsh conditions and to provide the cooling and environmental protection required by sensitive electronic production control systems.

Factors Affecting Model Selection

This selection is presented as a basic outline or checklist of the various conditions to be considered when choosing a cooling unit for a certain application. The following are factors which must be considered when selecting a cooling unit:

Internal Heat Load — This is the heat dissipated by the electronic controls. It is expressed in watts. One watt equals 3.413 BTU/HR. Thus, to obtain the approximate cooling capacity required to remove a specific heat load, the following formula can be used:

$$\text{Watts} \times 3.413 = \text{BTU/HR}$$

For example, a heat load of 800 watts requires an air conditioner capable of removing at least 2,730 BTU/HR.

Resistance to Air Flow in the Enclosure

Air Flow is measured in cubic feet per minute (CFM). To create an air flow of any desired velocity requires that pressure be produced by the blower in the air conditioner. Resistance to this blower-produced air flow is created by obstruction within the cabinet in the air flow path. The resistance itself is called pressure drop (P.D.) and is measured in inches of water column.

The effect of significant restrictions in the cabinet air flow path are as follows: The obstructions cause pressure drops, which leads to cool air flow reduction. This reduction in cool air flow will decrease the effective capacity of the cooling unit. When selecting the proper cooling unit, allowance must be made for pressure drop.

Heat Load From The Surroundings

Ambient conditions can cause a heat gain in the enclosure. The rated capacity of the cooling unit must be sufficient to handle this heat gain. When evaluating the additional heat load gained from the surroundings, the subject more or less breaks down into two situations: (1) the cabinet is insulated and well sealed, or (2) the cabinet is not insulated (most cabinets are uninsulated.)

(1) Cabinet Insulated — Normally, well insulated cabinets will not gain sufficient ambient heat to affect air conditioner's operation. Maximum operating temperature for our air conditioners is 125°F. When the air conditioner operates in ambient temperatures below 125°F, the cooling capacity of the air conditioner substantially increases.

(2) Cabinet Not Insulated — Obviously, this design placed more of a burden on the cooling unit. Heat is conducted to the cool side. Thus, high ambient heat will be readily transmitted into the cooler enclosure. To determine the additional capacity required of our air conditioner installed in an uninsulated cabinet, the surface square footage of the enclosure must be

calculated to obtain the total effective heat transfer area. For this calculation, use the surface area of the sides, plus the area of the top, and omit the bottom area of the cabinet.

Air movement outside the uninsulated cabinet will increase the heat conducted from the ambient into the enclosure. When there is little or no air circulation outside the cabinet, the layer of air immediately adjacent to the exterior cabinet walls acts as an insulating film. Exterior air movement dissipates this insulating layer of air in proportion to the velocity of the air flow. Substantial ambient air circulation will increase the transmitted heat load imposed on the cooling unit.

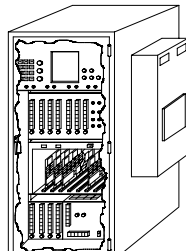
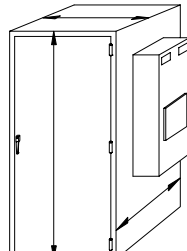
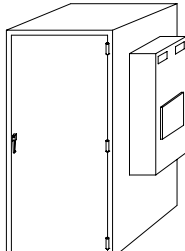
If the cabinet being cooled is not air tight, then high ambient relative humidity will adversely affect the cooling effectiveness of the air conditioner. When humid air infiltrates a poorly sealed enclosure, the air conditioner is required to use up valuable BTU/HR capacity just to condense the moisture from the internal air. Conversely, if the cabinet is well sealed, high ambient relative humidity, has very little effect on the heat capacity of the air conditioner.

Steps For Sizing an Air Conditioner

Proper selection of an air conditioner is determined by the following criteria:

- Required cooling capacity BTU/hr. (complete Steps #1-4)
- Mounting requirements (top or side mounting options)
- Dimension of air conditioner and enclosure

Cooling And Control Cabinets

STEP ONE	STEP TWO	STEP THREE	STEP FOUR
			<p><i>(Watts x 3.413) + [1.25 x Area ft.2 x Δ T (°F)] =BTU/HR.</i></p> <p><i>Capacity Required BTU/HR. Capacity Rating</i></p>
<p><i>1 Watt = 3.413 BTU/HR. Determine the internal heat load in Watts that must be dissipated.</i></p>	<p><i>1 m2 = 10.76 ft.2 Calculate the exposed surface area of the enclosure: 2(h' x w') + 2(h' x d') + (w' x d') = Area (ft2)</i></p>	<p><i>1oC or 1oKΔT=1.8oF T Determine the temperature differential by subtracting the maximum allowable temperature inside the enclosure (Ti) from the maximum ambient temperature outside the enclosure (To) To-Ti=ΔT</i></p>	

**ENVIRONMENTAL CONTROLS
GUARDIAN/GUARDIAN X SERIES SIDE-MOUNT AIR CONDITIONERS**



Industry Standards
NEMA 3R, 4, 4X, & 12
UL50



FEATURES-SPECIFICATIONS

The Guardian Series consists of units with heights from 15 to 60 inches, offering 1,000 to 26,000 BTU/H ratings. Available in painted steel or stainless steel and 115, 230, or 480 volts.

The features engineered into the Guardian Series make them a tamper-resistant choice for external applications. With all models UL/

CUL Listed, the Guardian Series is an excellent choice for telecommunications, food and beverage and other challenging applications.

- Available in Painted Steel or Stainless Steel (4X Models Only)
- Built-in Condensate Evaporator
- Closed-Loop Cooling

- Condenser Blower Controller
- Epoxy-Coated Evaporator and Condenser Coils
- Internal Corrosion Protection
- Programmable Thermostat
- Programmable Temperature Alarm
- Filters
- Zero ODP Refrigerant

SEE PAGES M5-M12 FOR DIAGRAMS AND DIMENSIONAL DRAWINGS

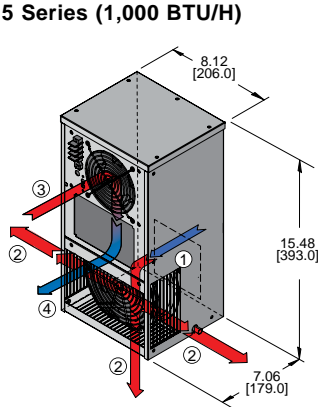
	Overall Size (H x W x D)	NEMA Rating	Volts	HZ	95/95 Rating BTU/H	Running Amps	Ambient Temp Max/Min	Approx Weight (lb)
DP 15 Series (1,000 BTU/H)								
WNA4C1DP15L	15 x 8 x 7	4	115	60	950	4.3	131/-20	26
WNA4C1DP15LV*	15 x 8 x 7	4X	115	60	950	4.3	131/-20	26
DP 21 Series (3,000 BTU/H)								
WNA4C3DP21L	21 x 12 x 10	4	115	60	2470	6.0	131/-20	54
WNA4C3DP21LV*	21 x 12 x 10	4X	115	60	2470	6.0	131/-20	54
DP 24 Series (3,000 BTU/H)								
W2NA4C3DP24L	24 x 12 x 10	4	230	60	2500	3.0	125/-20	61
W2NA4C3DP24LV*	24 x 12 x 10	4X	230	60	2500	3.0	125/-20	61
W3NA4C3DP24L	24 x 12 x 10	4	480	60	2500	1.4	125/-20	61
W3NA4C3DP24LV*	24 x 12 x 10	4X	480	60	2500	1.4	125/-20	61
DP 33 Series (5,000 BTU/H)								
WNA4C5DP33L	33 x 17 x 11	4	115	60	4000	10.6	131/-20	95
WNA4C5DP33LV*	33 x 17 x 11	4X	115	60	4000	10.6	131/-20	95
W2NA4C5DP33L	33 x 17 x 11	4	230	60	4000	4.5	131/-20	95
W2NA4C5DP33LV*	33 x 17 x 11	4X	230	60	4000	4.5	131/-20	95
DP 38 Series (5,000 BTU/H)								
W3NA4C5DP38L	39 x 17 x 11	4	480	60	4800	2.0	131/0	115
W3NA4C5DP38LV*	39 x 17 x 11	4X	480	60	4800	2.0	131/0	115
DP 43 Series (7,000 BTU/H)								
WNA4C7DP43L	43 x 17 x 10	4	115	60	5500	13.8	131/-20	125
WNA4C7DP43LV*	43 x 17 x 10	4X	115	60	5500	13.8	131/-20	125
W2NA4C7DP43L	43 x 17 x 10	4	230	60	5500	6.7	131/-20	125
W2NA4C7DP43LV*	43 x 17 x 10	4X	230	60	5500	6.7	131/-20	125

continued on page M5

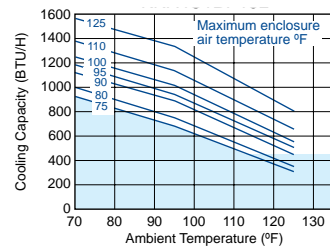
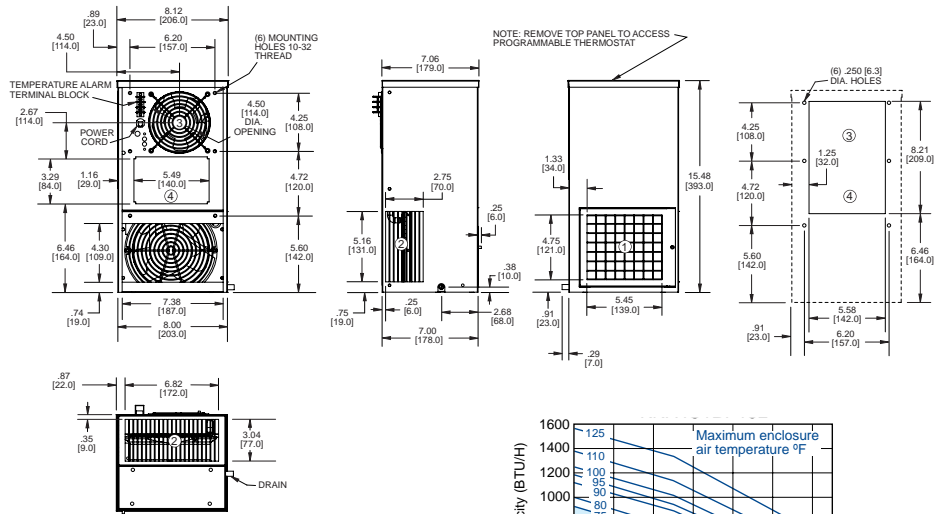
	Overall Size (H x W x D)	NEMA Rating	Volts	HZ	95/95 Rating BTU/H	Running Amps	Ambient Temp Max/Min	Approx Weight (lb)
DP 47 Series (9,000 BTU/H)								
WNA4C9DP47L	47 x 17 x 10	4	115	60	7400	19.2	131/-20	135
WNA4C9DP47LV*	47 x 17 x 10	4X	115	60	7400	19.2	131/-20	135
W2A4C9DP47L	47 x 17 x 10	4	230	60	7400	9.0	131/-20	135
W2A4C9DP47LV*	47 x 17 x 10	4X	230	60	7400	9.0	131/-20	135
DP 50 Series (14,000 BTU/H)								
W2NA6C14DP50L	50 x 20 x 12	4	230	60	13000	13.5	131/-20	207
W2NA6C14DP50LV*	50 x 20 x 12	4X	230	60	13000	13.5	131/-20	207
W3NA6C14DP50L	50 x 20 x 12	4	480	60	13000	5.0	131/-20	207
W3NA6C14DP50LV*	50 x 20 x 12	4X	480	60	13000	5.0	131/-20	207
DP 52 Series (7,000 and 9,000 BTU/H)								
W3NA4C7DP52L	52 x 17 x 10	4	480	60	6300	3.0	131/0	160
W3NA4C7DP52LV*	52 x 17 x 10	4X	480	60	6300	3.0	131/0	160
W3NA4C9DP52L	52 x 17 x 10	4	480	60	8100	4.0	131/0	164
W3NA4C9DP52LV*	52 x 17 x 10	4X	480	60	8100	4.0	131/0	164
DP 53 Series (18,000 BTU/H)								
W2NA6C18DP53L	53 x 22 x 13	4	230	60	15800	20.0	125/-20	224
W2NA6C18DP53LV*	53 x 22 x 13	4X	230	60	15800	20.0	125/-20	224
W3NA6C18DP53L	53 x 22 x 13	4	480	60	15800	5.7	125/-20	224
W3NA6C18DP53LV*	53 x 22 x 13	4X	480	60	15800	5.7	125/-20	224
DP 60 Series (26,000 BTU/H)								
W2NA6C26DP60L	60 x 24 x 13	4	230	60	22800	24.0	131/-20	262
W2NA6C26DP60LV*	60 x 24 x 13	4X	230	60	22800	24.0	131/-20	262
W3NA6C26DP60L	60 x 24 x 13	4	480	60	22800	7.4	131/-20	262
W3NA6C26DP60LV*	60 x 24 x 13	4X	480	60	22800	7.4	131/-20	262

*STAINLESS STEEL NEMA 4X MODEL

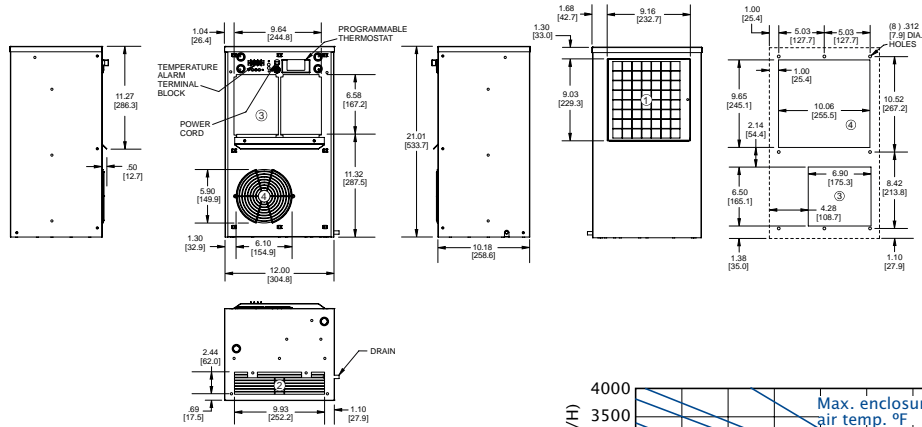
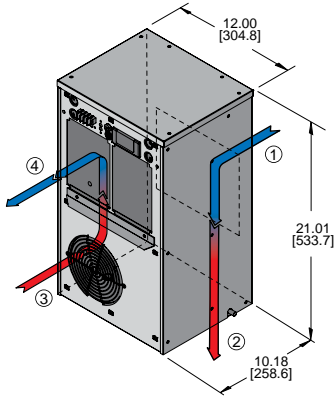
DP 15 Series (1,000 BTU/H)



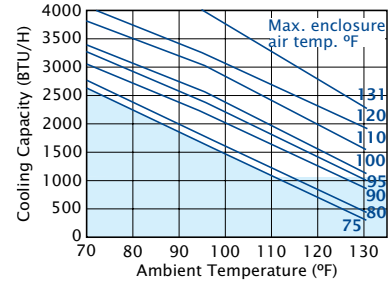
- ① FILTERED CONDENSER AIR INLET (Ambient Air In)
- ② CONDENSER OUTLET (Warm Ambient Air Out)
- ③ WARM AIR RETURN FROM ENCLOSURE
- ④ COOL AIR OUTLET TO ENCLOSURE



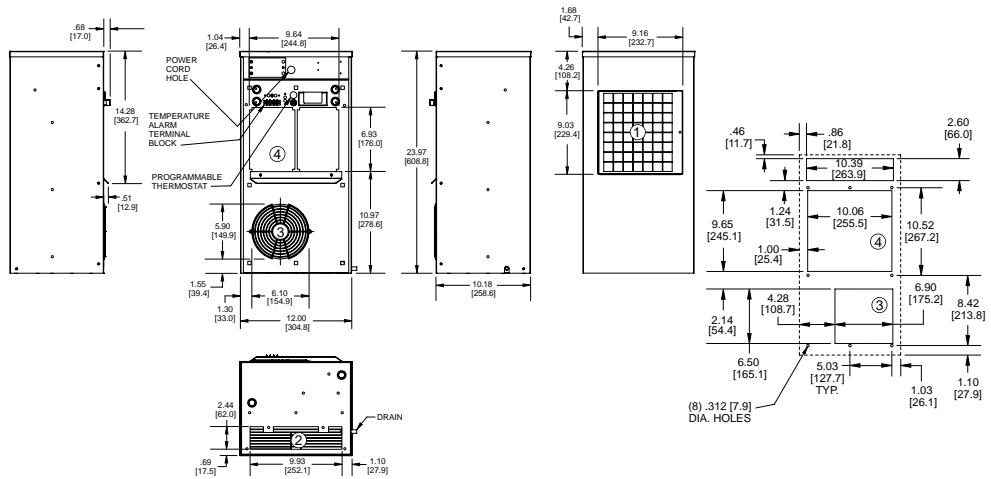
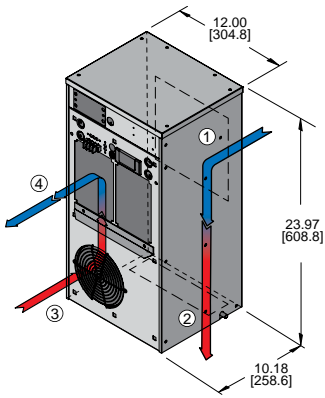
DP 21 Series (3,000 BTU/H)



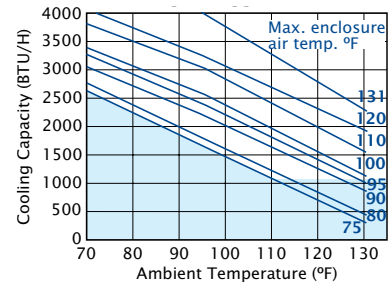
- ① FILTERED CONDENSER AIR INLET (Ambient Air In)
- ② CONDENSER OUTLET (Warm Ambient Air Out)
- ③ WARM AIR RETURN FROM ENCLOSURE
- ④ COOL AIR OUTLET TO ENCLOSURE



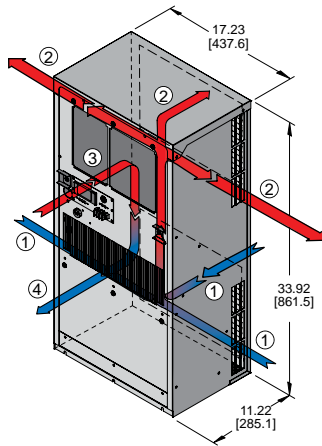
DP 24 Series (3,000 BTU/H)



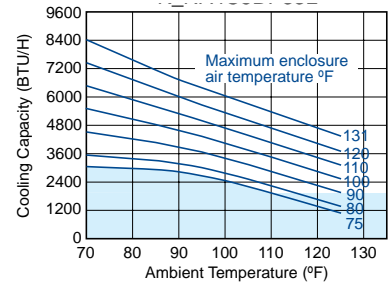
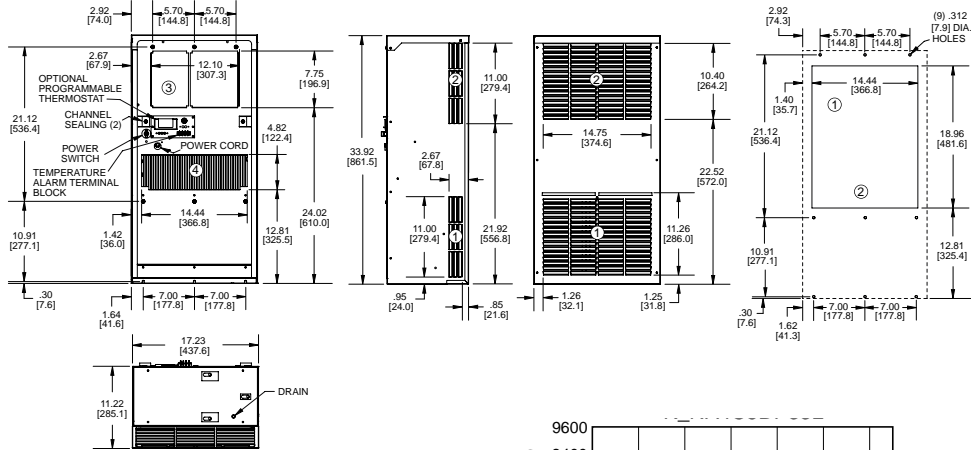
- ① FILTERED CONDENSER AIR INLET (Ambient Air In)
- ② CONDENSER OUTLET (Warm Ambient Air Out)
- ③ WARM AIR RETURN FROM ENCLOSURE
- ④ COOL AIR OUTLET TO ENCLOSURE



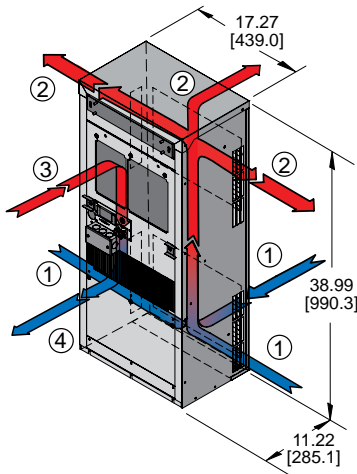
DP 33 Series (5,000 BTU/H)



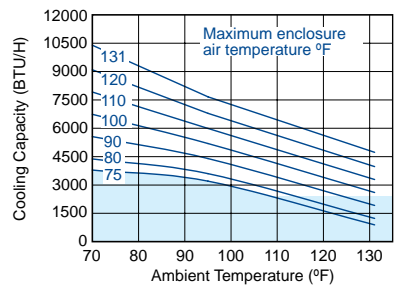
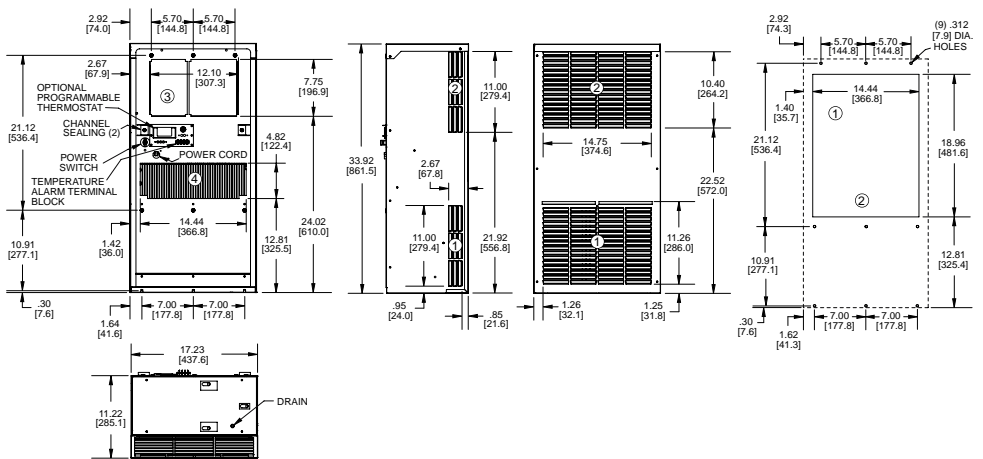
- ① FILTERED CONDENSER AIR INLET (Ambient Air In)
- ② CONDENSER OUTLET (Warm Ambient Air Out)
- ③ WARM AIR RETURN FROM ENCLOSURE
- ④ COOL AIR OUTLET TO ENCLOSURE



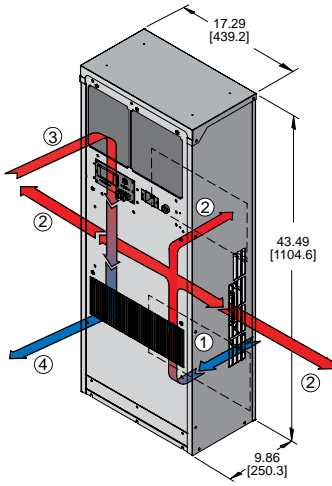
DP 38 Series (5,000 BTU/H)



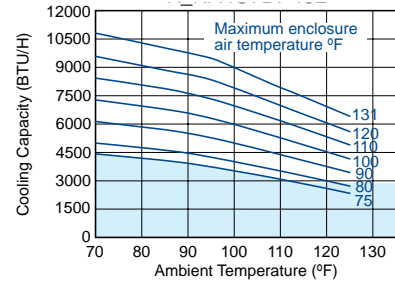
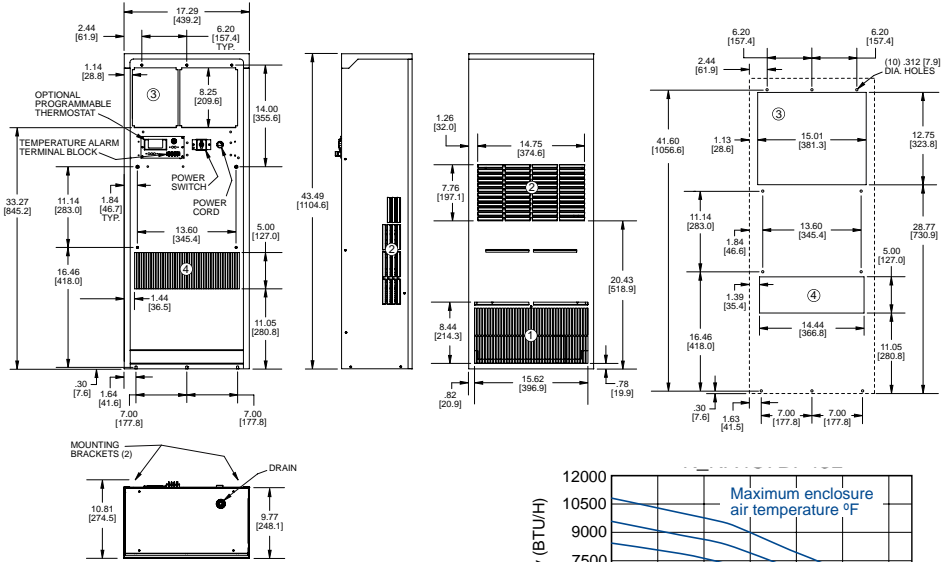
- ① FILTERED CONDENSER AIR INLET (Ambient Air In)
- ② CONDENSER OUTLET (Warm Ambient Air Out)
- ③ WARM AIR RETURN FROM ENCLOSURE
- ④ COOL AIR OUTLET TO ENCLOSURE



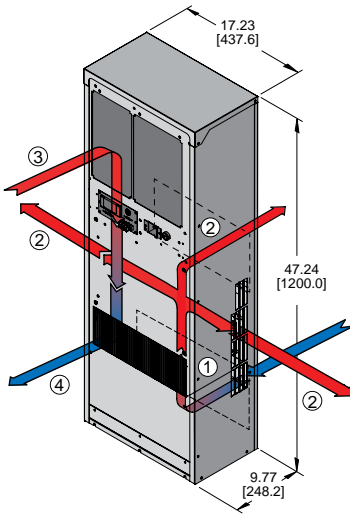
DP 43 Series (7,000 BTU/H)



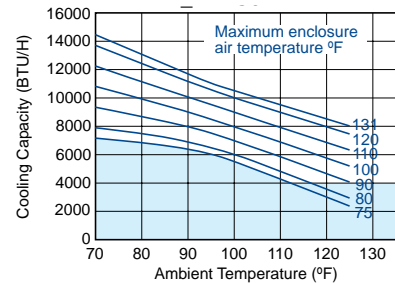
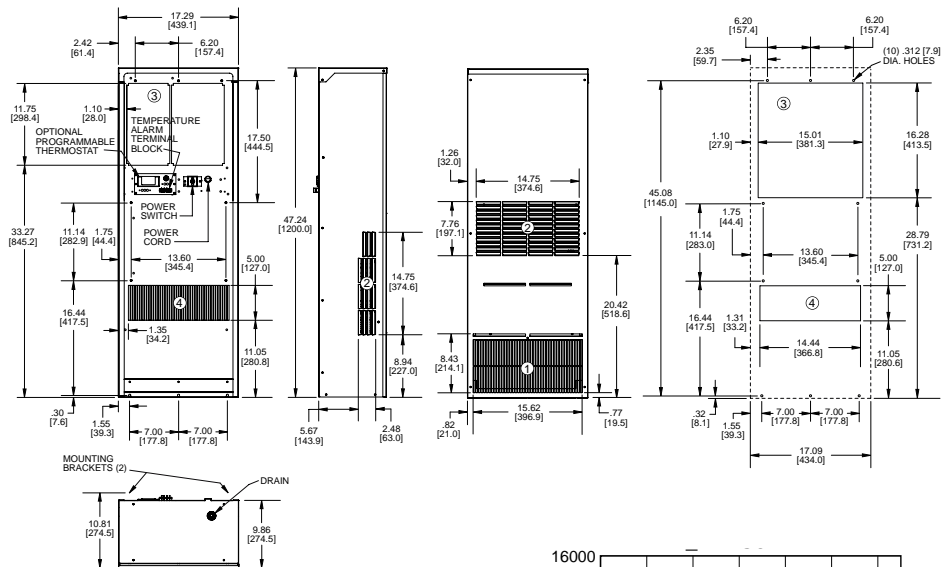
- ① FILTERED CONDENSER AIR INLET (Ambient Air In)
- ② CONDENSER OUTLET (Warm Ambient Air Out)
- ③ WARM AIR RETURN FROM ENCLOSURE
- ④ COOL AIR OUTLET TO ENCLOSURE



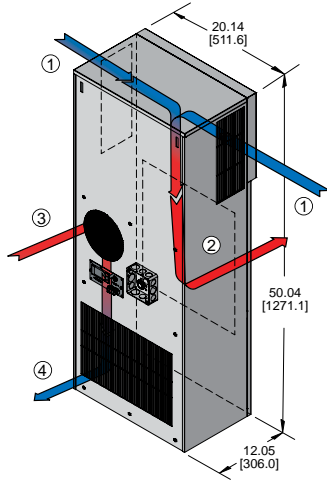
DP 47 Series (9,000 BTU/H)



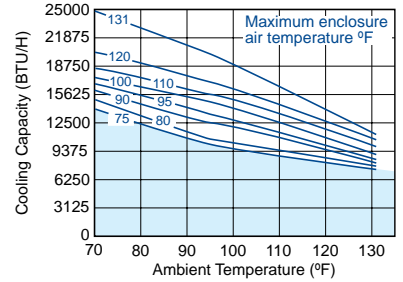
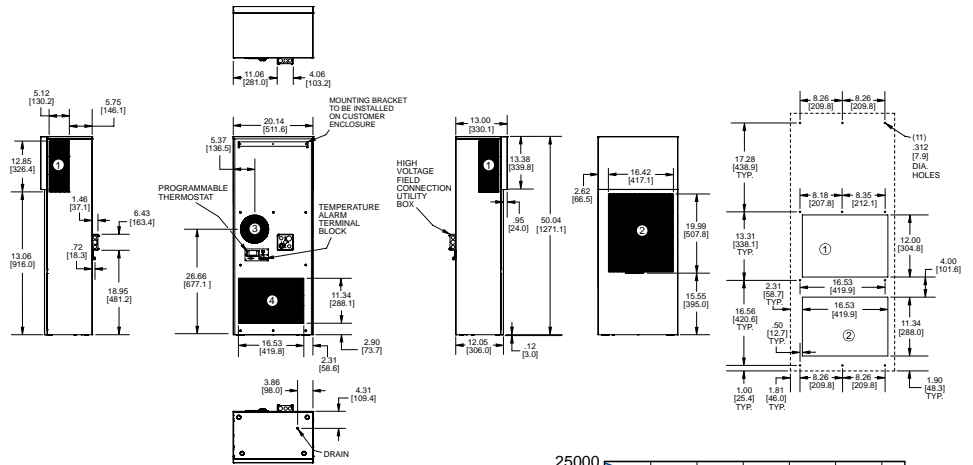
- ① FILTERED CONDENSER AIR INLET (Ambient Air In)
- ② CONDENSER OUTLET (Warm Ambient Air Out)
- ③ WARM AIR RETURN FROM ENCLOSURE
- ④ COOL AIR OUTLET TO ENCLOSURE



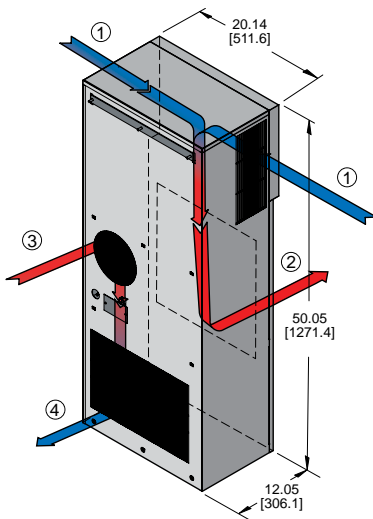
DP 50 Series (14,000 BTU/H)



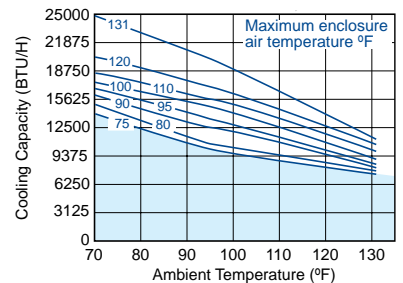
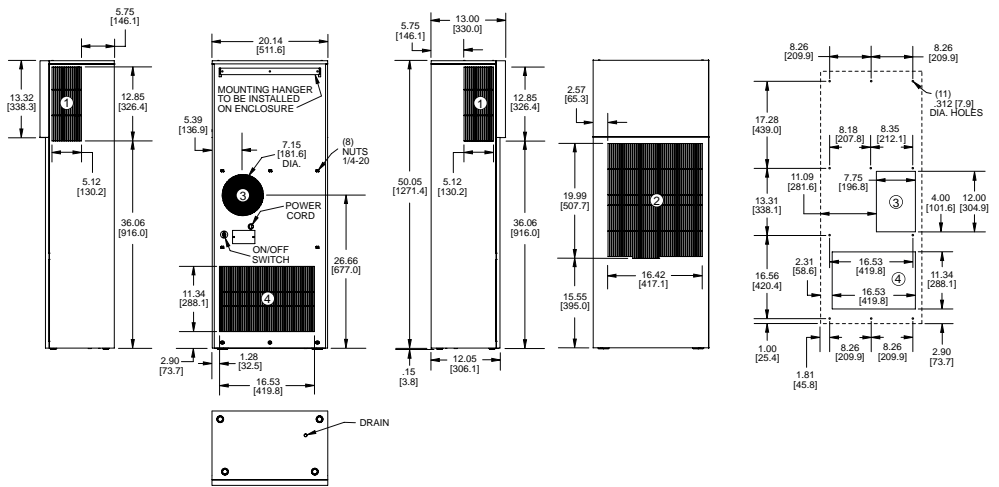
- ① FILTERED CONDENSER AIR INLET (Ambient Air In)
- ② CONDENSER OUTLET (Warm Ambient Air Out)
- ③ WARM AIR RETURN FROM ENCLOSURE
- ④ COOL AIR OUTLET TO ENCLOSURE



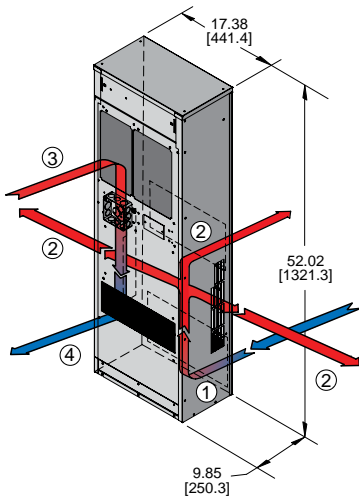
DP 50 480V Series (14,000 BTU/H)



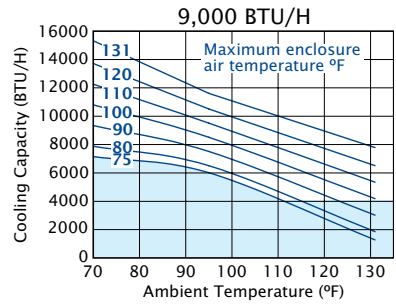
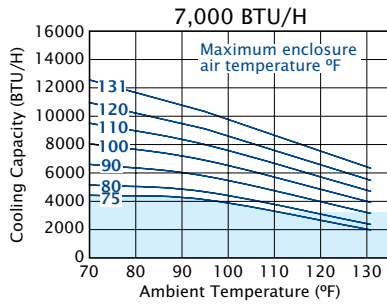
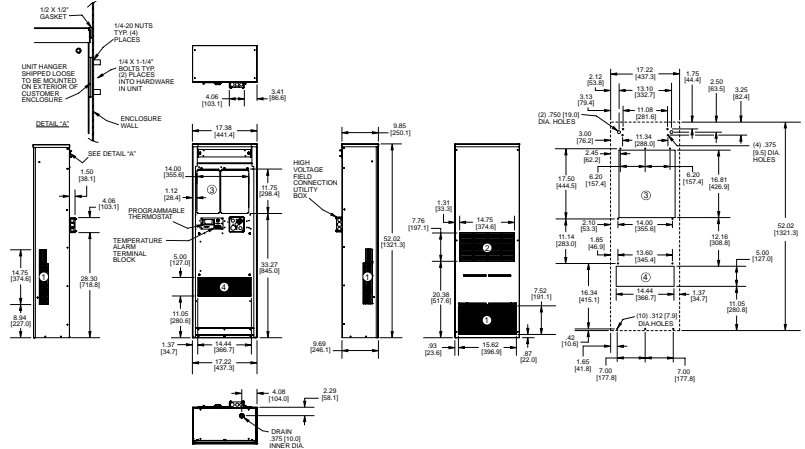
- ① FILTERED CONDENSER AIR INLET (Ambient Air In)
- ② CONDENSER OUTLET (Warm Ambient Air Out)
- ③ WARM AIR RETURN FROM ENCLOSURE
- ④ COOL AIR OUTLET TO ENCLOSURE



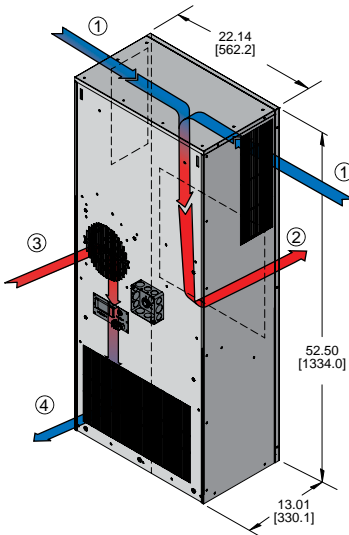
DP 52 480V Series (7,000 and 9,000 BTU/H)



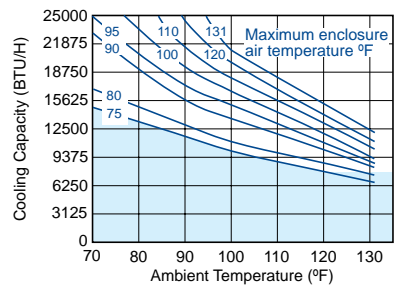
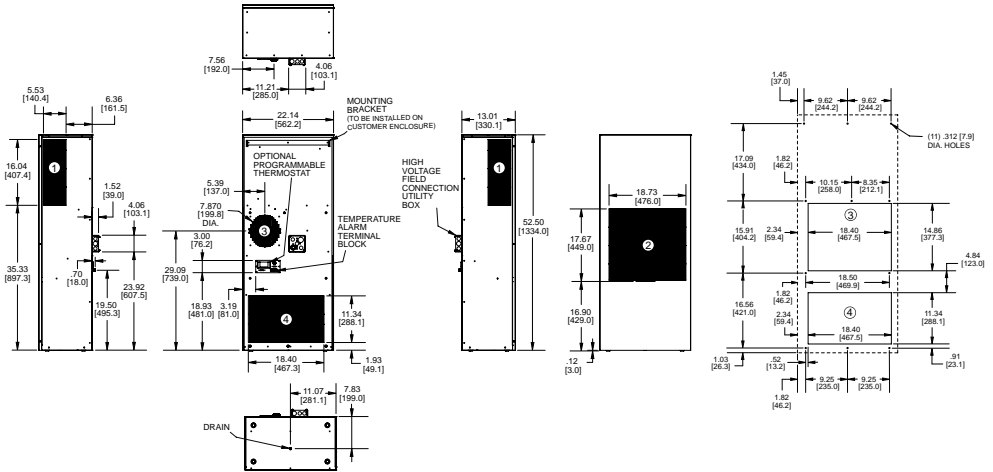
- ① FILTERED CONDENSER AIR INLET (Ambient Air In)
- ② CONDENSER OUTLET (Warm Ambient Air Out)
- ③ WARM AIR RETURN FROM ENCLOSURE
- ④ COOL AIR OUTLET TO ENCLOSURE



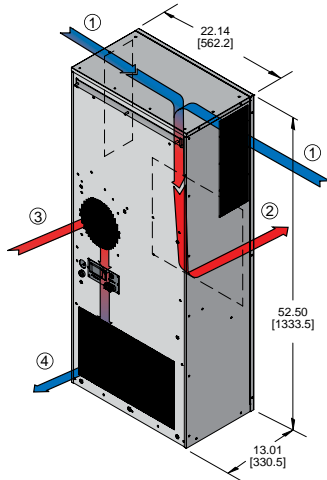
DP 53 480V Series (18,000 BTU/H)



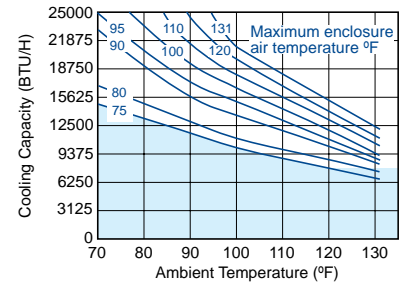
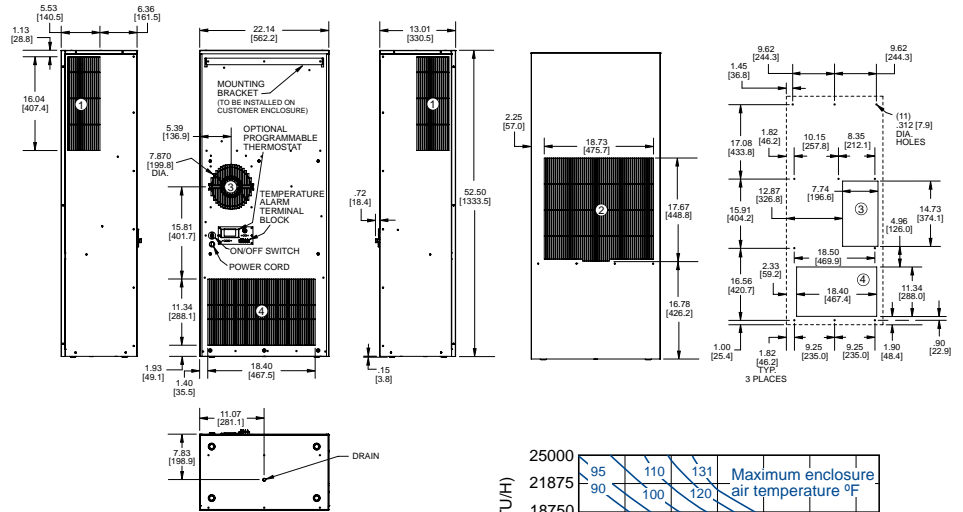
- ① FILTERED CONDENSER AIR INLET (Ambient Air In)
- ② CONDENSER OUTLET (Warm Ambient Air Out)
- ③ WARM AIR RETURN FROM ENCLOSURE
- ④ COOL AIR OUTLET TO ENCLOSURE



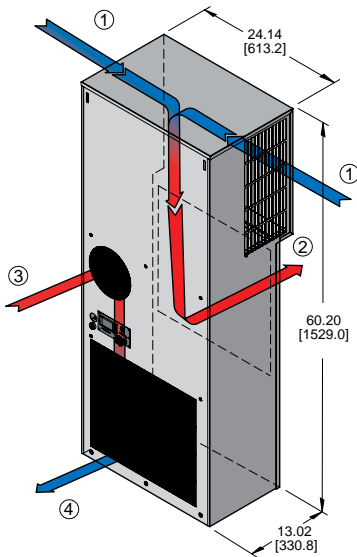
DP 53 Series (18,000 BTU/H)



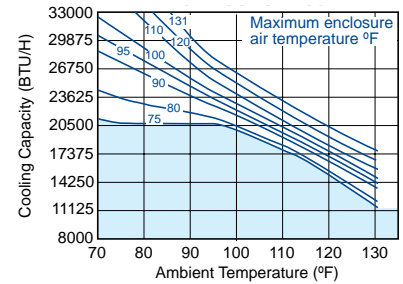
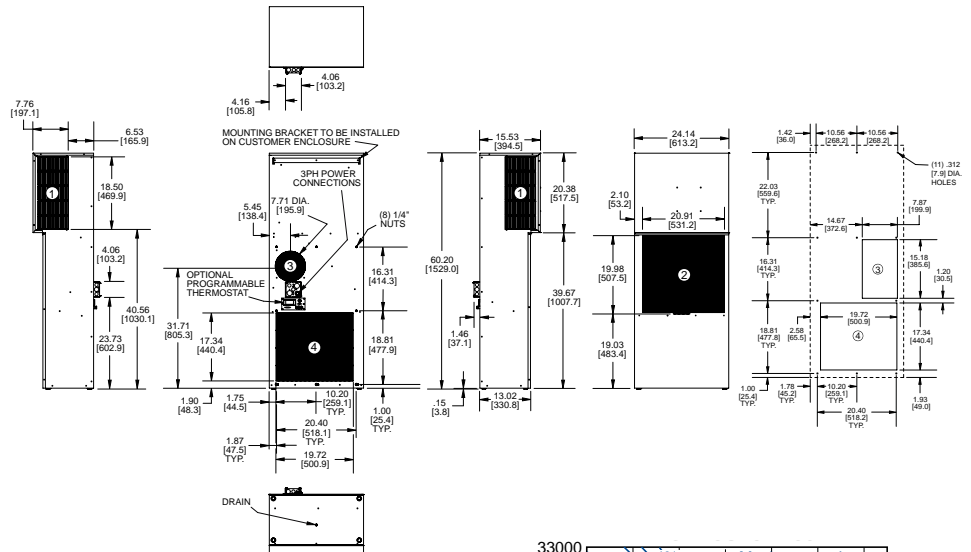
- ① FILTERED CONDENSER AIR INLET (Ambient Air In)
- ② CONDENSER OUTLET (Warm Ambient Air Out)
- ③ WARM AIR RETURN FROM ENCLOSURE
- ④ COOL AIR OUTLET TO ENCLOSURE



DP 60 480V Series (26,000 BTU/H)

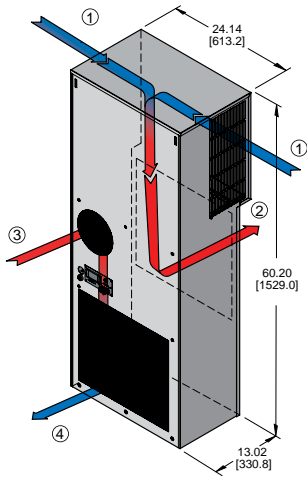


- ① FILTERED CONDENSER AIR INLET (Ambient Air In)
- ② CONDENSER OUTLET (Warm Ambient Air Out)
- ③ WARM AIR RETURN FROM ENCLOSURE
- ④ COOL AIR OUTLET TO ENCLOSURE

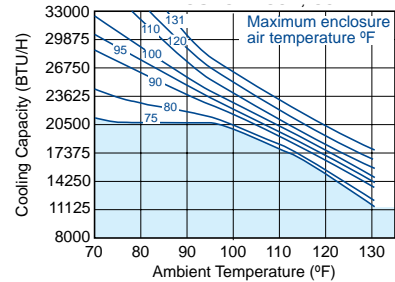
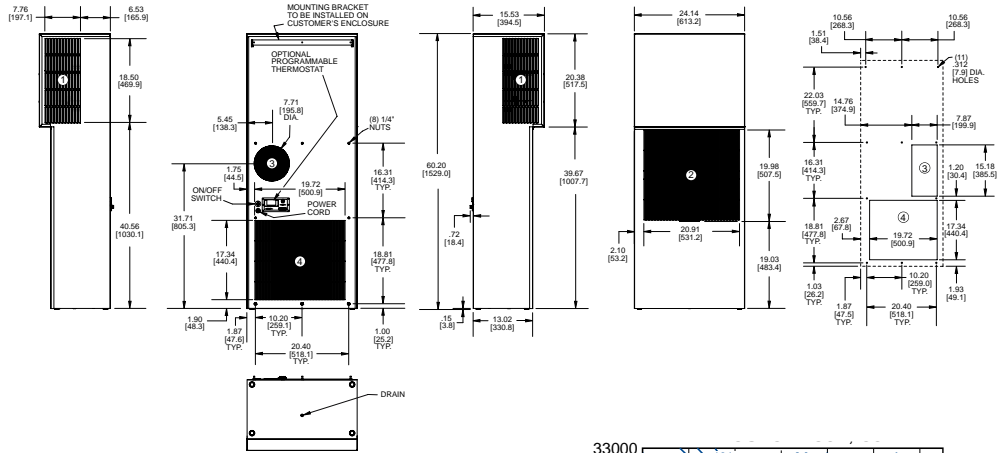


Operation within shaded area not recommended.

DP 60 Series (26,000 BTU/H)



- ① FILTERED CONDENSER AIR INLET (Ambient Air In)
- ② CONDENSER OUTLET (Warm Ambient Air Out)
- ③ WARM AIR RETURN FROM ENCLOSURE
- ④ COOL AIR OUTLET TO ENCLOSURE





Industry Standards
NEMA 3R, 4, 4X, & 12
UL50



FEATURES-SPECIFICATIONS

The SlimKool Series indoor/outdoor Air Conditioners can be mounted on the exterior of shallow electrical enclosures common in the industry today. The SlimKool Series consists of compact models with a standard width of 11.75 inches, and a standard depth of 15.1 inches, with heights ranging from 28 to 43 inches. These models offer capacities from 4,000

to 11,000 BTU/H, and can operate in ambient temperatures between -20 and 131°F.

- Available in Painted Steel or Stainless Steel (4X Models Only)
- Built-in Condensate Evaporator
- Closed-Loop Cooling
- Compressor Short Cycle Protector

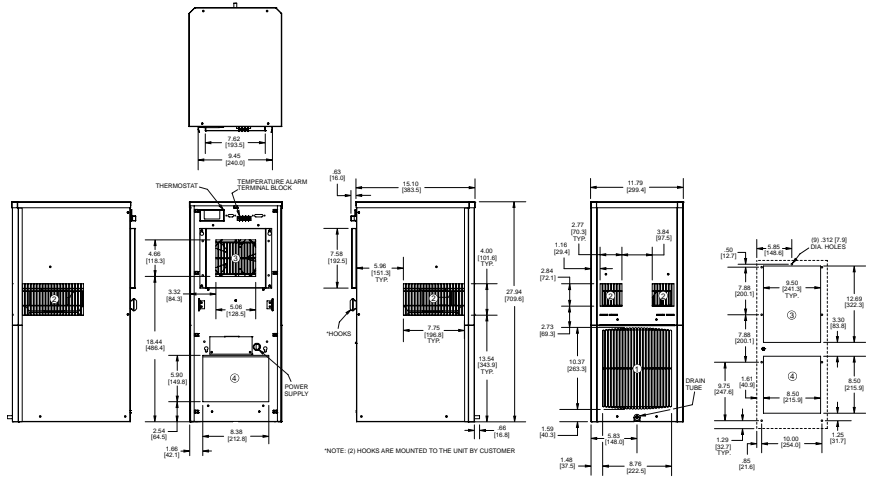
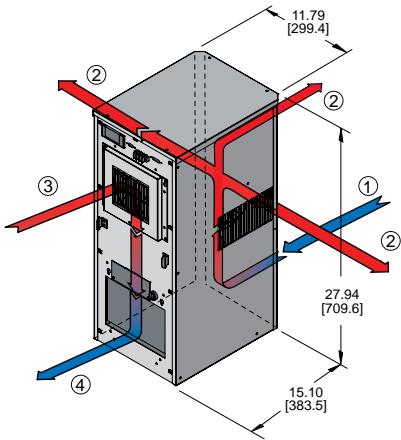
- Epoxy-Coated Evaporator and Condenser Coils
- Internal Corrosion Protection
- Programmable Thermostat
- Programmable Temperature
- Alarm
- Filters
- Zero ODP Refrigerant

SEE PAGES M14-M16 FOR DIAGRAMS AND DIMENSIONAL DRAWINGS

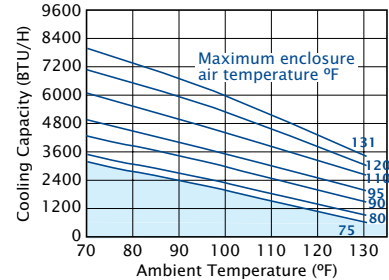
	Overall Size (H x W x D)	NEMA Rating	Volts	HZ	95/95 Rating BTU/H	Running Amps	Ambient Temp Max/Min	Approx Weight (lb)
SP 28 Series (4,000 BTU/H)								
WNA4C4SP28L	28 x 12 x 15	4	115	60	3700	8.4	131/-20	85
W2NA4C4SP28L	28 x 12 x 15	4	230	60	3700	4.1	131/-20	85
W3NA4C4SP28L	28 x 12 x 15	4	480	60	3500	2.1	131/-20	95
WNA4C4SP28LV*	28 x 12 x 15	4X	115	60	3700	8.4	131/-20	85
W2NA4C4SP28LV*	28 x 12 x 15	4X	230	60	3700	4.1	131/-20	85
W3NA4C4SP28LV*	28 x 12 x 15	4X	480	60	3500	2.1	131/-20	95
SP 36 Series (6,000 BTU/H)								
WNA4C6SP36L	36 x 12 x 15	4	115	60	5600	9.6	131/-20	100
W2NA4C6SP36L	36 x 12 x 15	4	230	60	5600	4.6	131/-20	100
W3NA4C6SP36L	36 x 12 x 15	4	480	60	5400	2.2	131/-20	110
WNA4C6SP36LV*	36 x 12 x 15	4X	115	60	5600	9.6	131/-20	100
W2NA4C6SP36LV*	36 x 12 x 15	4X	230	60	5600	4.6	131/-20	100
W3NA4C6SP36LV*	36 x 12 x 15	4X	480	60	5400	2.2	131/-20	110
SP 36 Series (8,000 BTU/H)								
WNA4C8SP36L	36 x 12 x 15	4	115	60	7500	9.6	131/-20	100
W2NA4C8SP36L	36 x 12 x 15	4	230	60	7500	4.6	131/-20	100
W3NA4C8SP36L	36 x 12 x 15	4	480	60	7500	2.7	131/-20	110
WNA4C8SP36LV*	36 x 12 x 15	4X	115	60	7500	9.6	131/-20	100
W2NA4C8SP36LV*	36 x 12 x 15	4X	230	60	7500	4.6	131/-20	100
W3NA4C8SP36LV*	36 x 12 x 15	4X	480	60	7500	2.7	131/-20	110
SP 43 Series (11,000 BTU/H)								
WNA4C11SP43L	43 x 12 x 15	4	115	60	9300	20.0	131/-20	115
W2NA4C11SP43L	43 x 12 x 15	4	230	60	9300	11.0	131/-20	115
W3NA4C11SP43L	43 x 12 x 15	4	480	60	9300	3.5	131/-20	125
WNA4C11SP43LV*	43 x 12 x 15	4X	115	60	9300	20.0	131/-20	115
W2NA4C11SP43LV*	43 x 12 x 15	4X	230	60	9300	11.0	131/-20	115
W3NA4C11SP43LV*	43 x 12 x 15	4X	480	60	9300	3.5	131/-20	125

*STAINLESS STEEL NEMA 4X MODEL

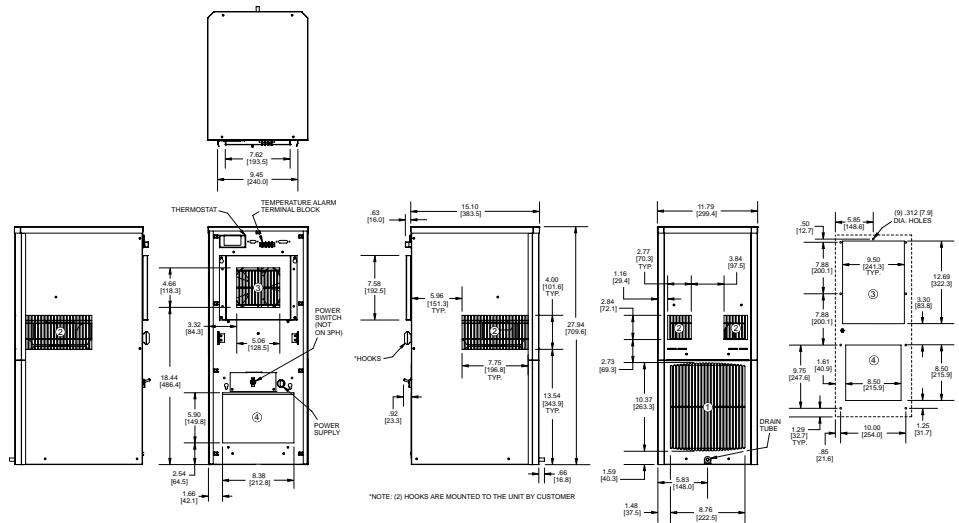
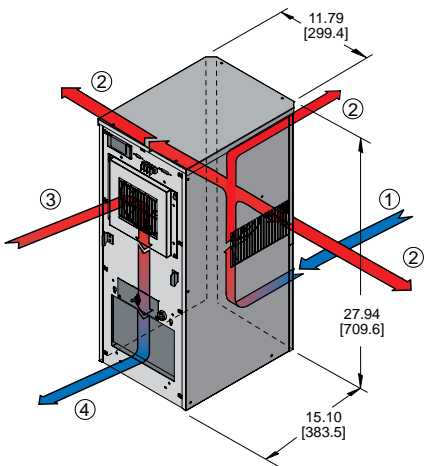
SP 28 480V Series (4,000 BTU/H)



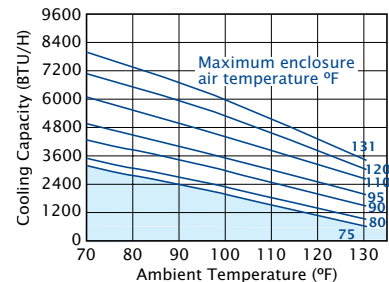
- ① FILTERED CONDENSER AIR INLET (Ambient Air In)
- ② CONDENSER OUTLET (Warm Ambient Air Out)
- ③ WARM AIR RETURN FROM ENCLOSURE
- ④ COOL AIR OUTLET TO ENCLOSURE



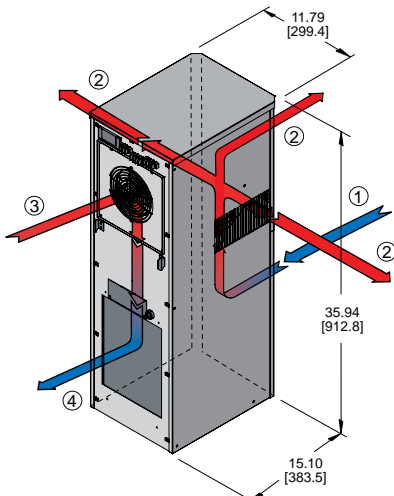
SP 28 Series (4,000 BTU/H)



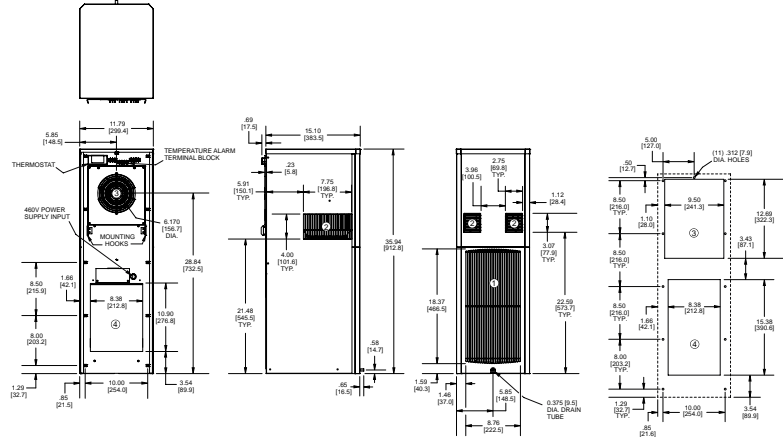
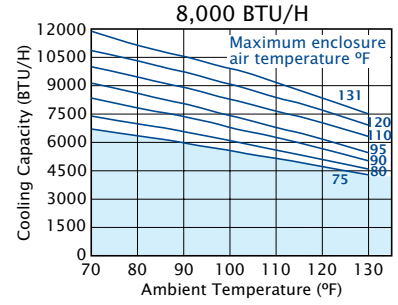
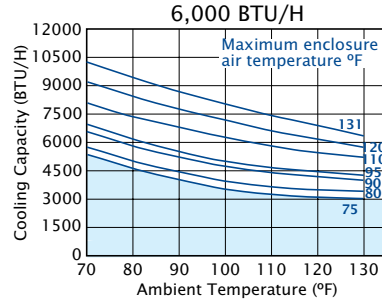
- ① FILTERED CONDENSER AIR INLET (Ambient Air In)
- ② CONDENSER OUTLET (Warm Ambient Air Out)
- ③ WARM AIR RETURN FROM ENCLOSURE
- ④ COOL AIR OUTLET TO ENCLOSURE



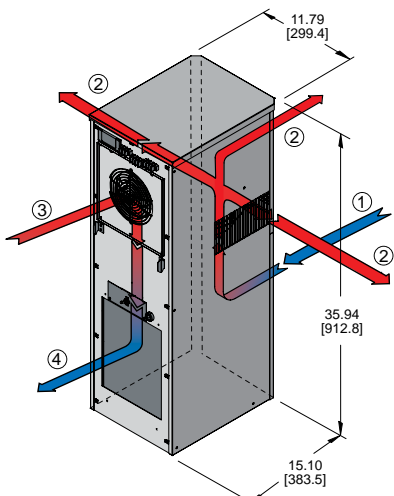
SP 36 480V Series (6,000 and 8,000 BTU/H)



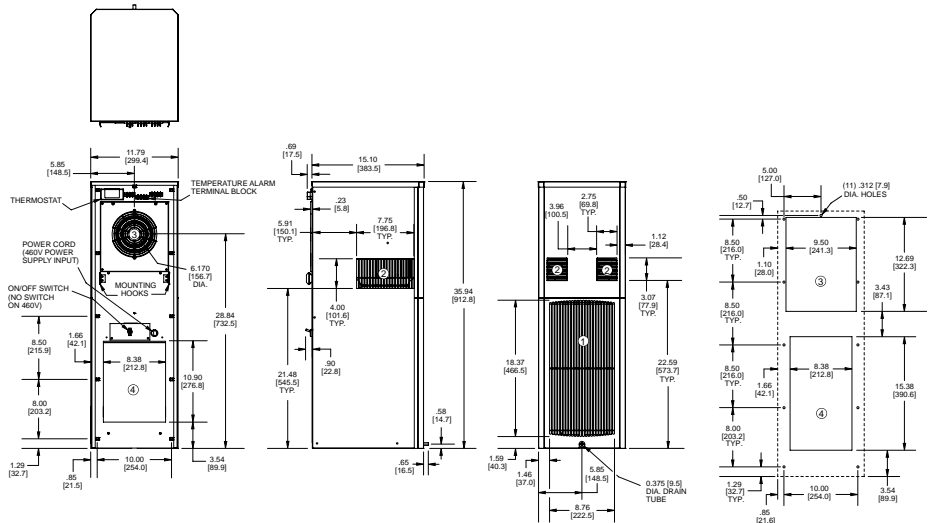
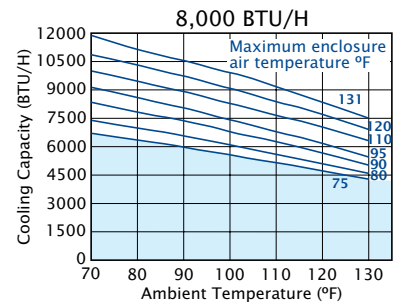
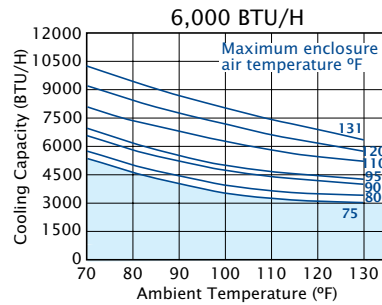
- ① FILTERED CONDENSER AIR INLET (Ambient Air In)
- ② CONDENSER OUTLET (Warm Ambient Air Out)
- ③ WARM AIR RETURN FROM ENCLOSURE
- ④ COOL AIR OUTLET TO ENCLOSURE



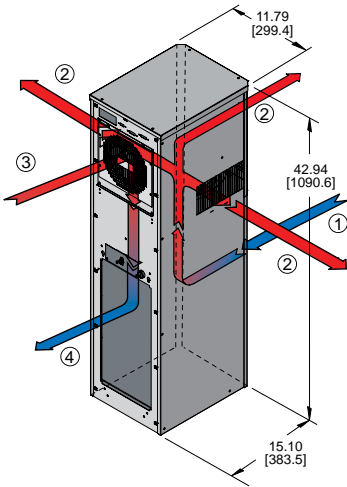
SP 36 Series (6,000 and 8,000 BTU/H)



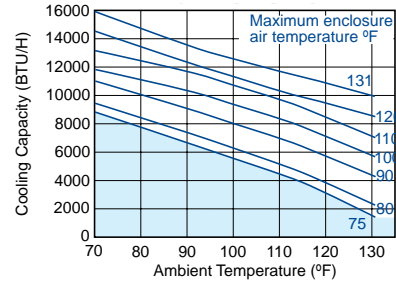
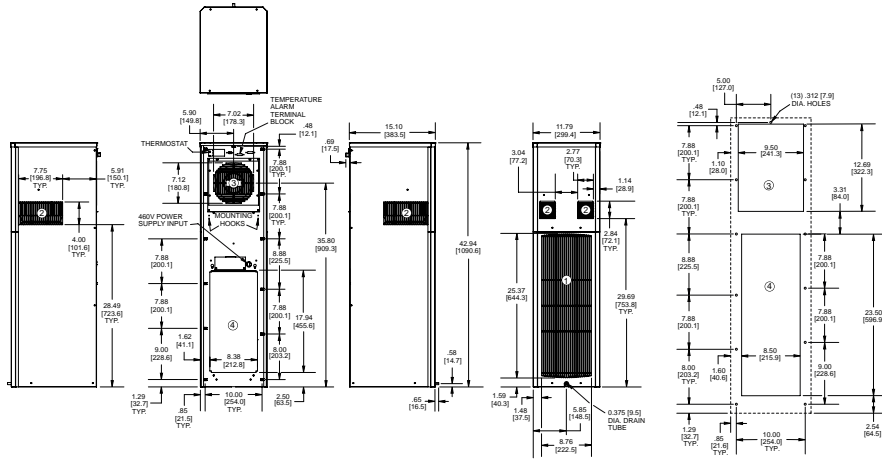
- ① FILTERED CONDENSER AIR INLET (Ambient Air In)
- ② CONDENSER OUTLET (Warm Ambient Air Out)
- ③ WARM AIR RETURN FROM ENCLOSURE
- ④ COOL AIR OUTLET TO ENCLOSURE



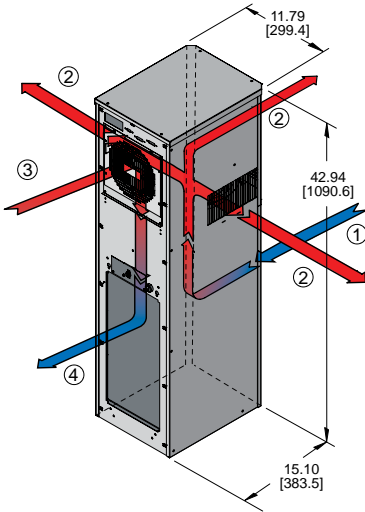
SP 43 480V Series (11,000 BTU/H)



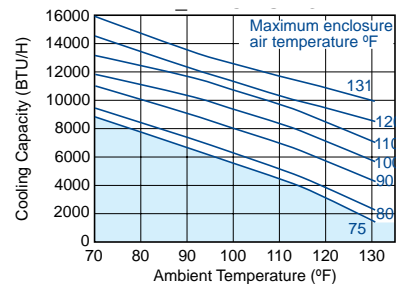
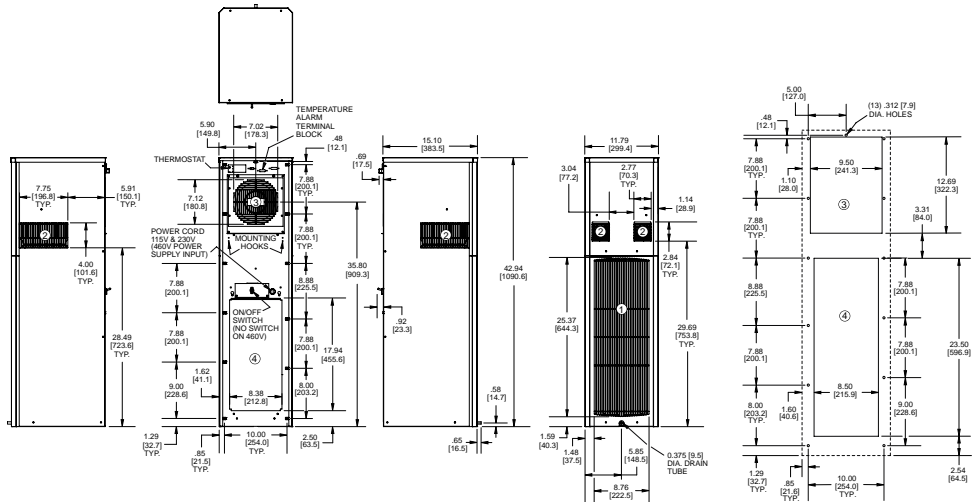
- ① FILTERED CONDENSER AIR INLET (Ambient Air In)
- ② CONDENSER OUTLET (Warm Ambient Air Out)
- ③ WARM AIR RETURN FROM ENCLOSURE
- ④ COOL AIR OUTLET TO ENCLOSURE



SP 43 Series (11,000 BTU/H)



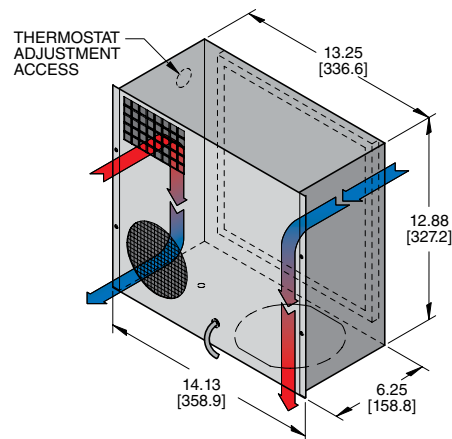
- ① FILTERED CONDENSER AIR INLET (Ambient Air In)
- ② CONDENSER OUTLET (Warm Ambient Air Out)
- ③ WARM AIR RETURN FROM ENCLOSURE
- ④ COOL AIR OUTLET TO ENCLOSURE





**NEMA
TYPE 12
MAINTAINED**

- ① FILTERED CONDENSER AIR INLET (Ambient Air In)
- ② CONDENSER OUTLET (Warm Ambient Air Out)
- ③ WARM AIR RETURN FROM ENCLOSURE
- ④ COOL AIR OUTLET TO ENCLOSURE



FEATURES-SPECIFICATIONS

Standard Features

- Ball-bearing Motors
- CFC-Free Refrigerant
- EMI/RFI Suppressor
- Low Temperature Control Thermostat
- NEMA 12 Rating Maintained (UL50)
- UL/CUL Listed
- Gray Powder Finish

Accessories and Options

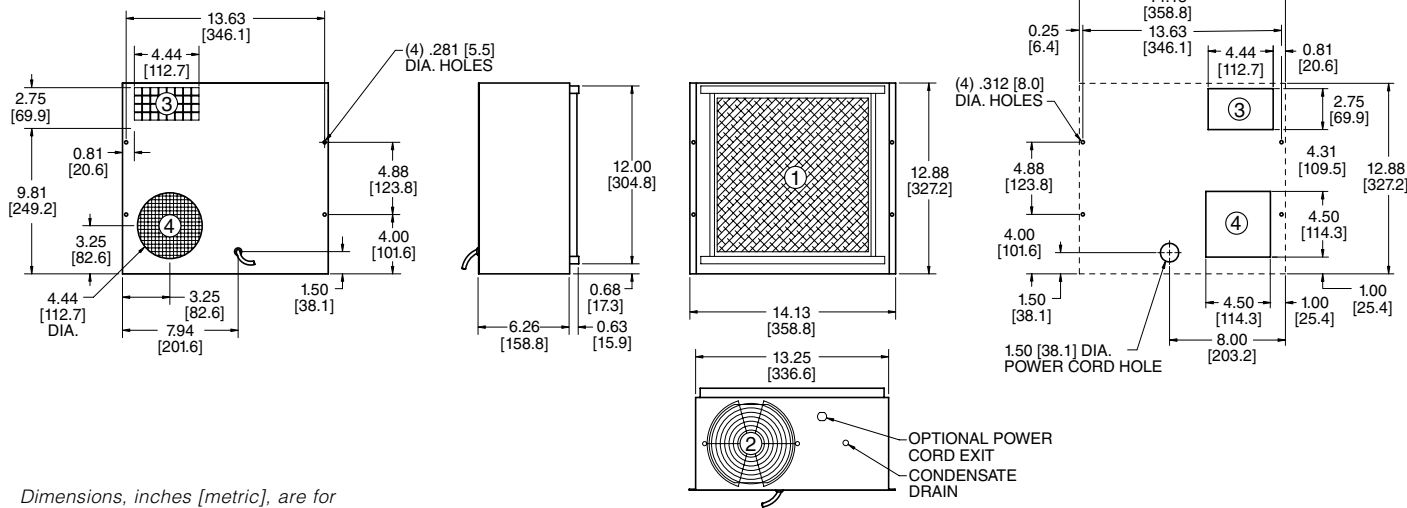
- Adapter Plate for rack mounting
- Compressor Heater
- Condensate Evaporator
- Cooling Effect Detector
- Filter Recoating Adhesive
- Filters for replacement
- Internal corrosion protection
- Lifting Eyes

- Low Ambient Kit and Compressor Heater
- Mounting Hinge
- Short Cycle Protector
- Special materials or finishes
- Special motors, line cords, or connectors
- Stainless or Aluminum Cabinet
- Weather Protection Kit

MICRO-MINI SERIES AIR-COOLED PANEL-MOUNTED AIR CONDITIONERS

Model	Rate Capacity (btu/h)	95/95 Rating (btu/h)	Ambient Temp. °F Max./Min.	Volts	Hz	Running Amps	Approximate Weight (lbs.)
WA4C10MML	1000	600	125/50	115/100	60/50	4.5	43
W2A4C10MML	1000	600	125/50	230/200	60/50	2.3	43

MOUNTING PLAN



Dimensions, inches [metric], are for reference only and subject to change.



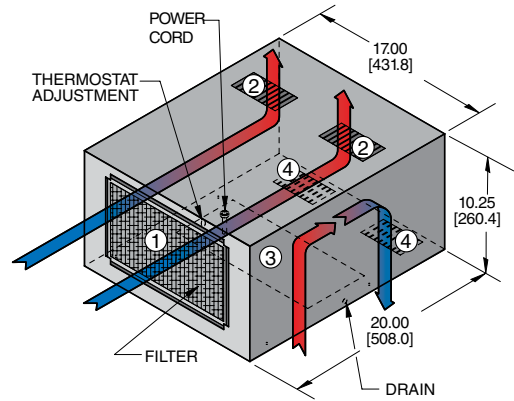
Standard Features

- Built-in Condensate Evaporator
- CFC-Free Refrigerant
- EMI/RFI Suppressor
- Low Temperature Control Thermostat
- UL/CUL Listed
- Gray Powder Finish

Accessories and Options

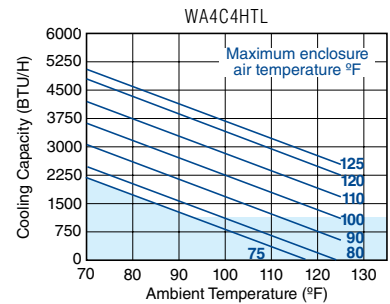
- Cooling Effect Detector
- Enclosure Heater
- Filter Recoating Adhesive

- Filters for replacement
- Internal corrosion protection
- Lifting Eyes
- Low Airflow Detector
- Low Ambient Kit
- Short Cycle Protector
- Special materials or finishes
- Special motors, linecords or protectors
- Stainless or Aluminum Cabinet



- ① FILTERED CONDENSER AIR INLET (Ambient Air In)
- ② CONDENSER OUTLET (Warm Ambient Air Out)
- ③ WARM AIR RETURN FROM ENCLOSURE
- ④ COOL AIR OUTLET TO ENCLOSURE

PERFORMANCE CHART

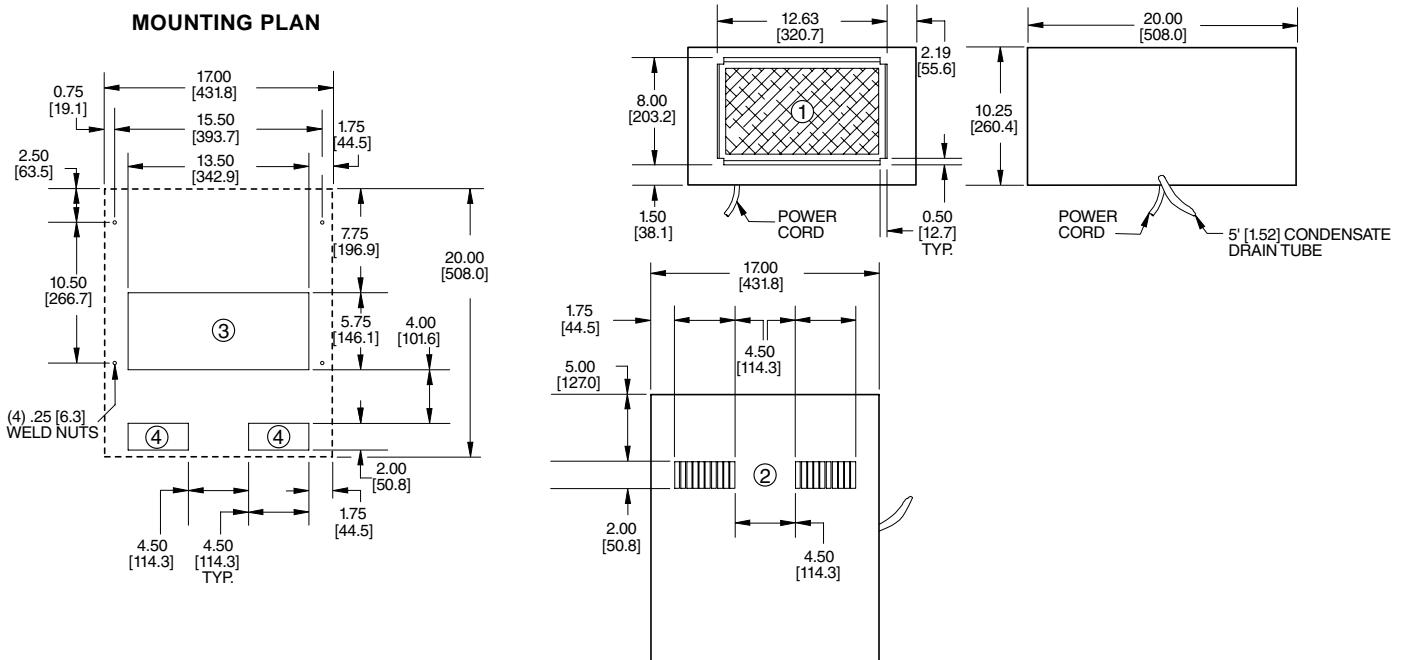


Operation within shaded areas not recommended.

COMPACT SERIES AIR-COOLED TOP-MOUNTED AIR CONDITIONERS

Model	Rate Capacity (btu/h)	95/95 Rating (btu/h)	Ambient Temp. °F Max./Min.	Volts	Hz	Running Amps	Approximate Weight (lbs.)
WA4C4HTR	4000	2200	125/50	115/100	60/50	13.1	85
W2A4C4HTR	4000	2200	115/50	230/200	60/50	5.9	85

MOUNTING PLAN





NEMA 4/4X



NEMA 12

Industry Standards

UL Listed
NEMA 12, 4 or 4X



FEATURES-SPECIFICATIONS

Applications

Compressed air cooling is used where conventional enclosure cooling (air conditioners or heat exchangers) is not possible. Example: Small to medium size enclosures; nonmetallic enclosures; areas where the size of cooling devices is restricted.

Features

- Suitable for harsh environments
- Small physical size
- Creates cool air without refrigerants (no CFC's, HFC's)
- Exceptionally reliable—no moving parts
- Virtually no maintenance

Requirements

- Clean, dry, oil-free compressed air (100 PSIG/70°F or below) required

to achieve published BTU/hr. ratings. Lower pressures and higher temperatures will reduce BTU/hr. ratings

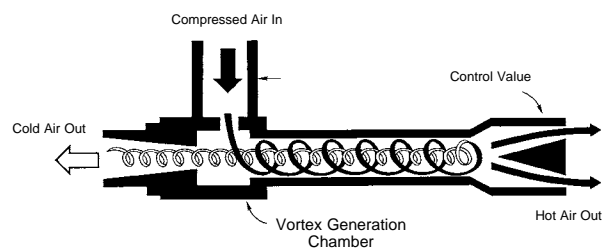
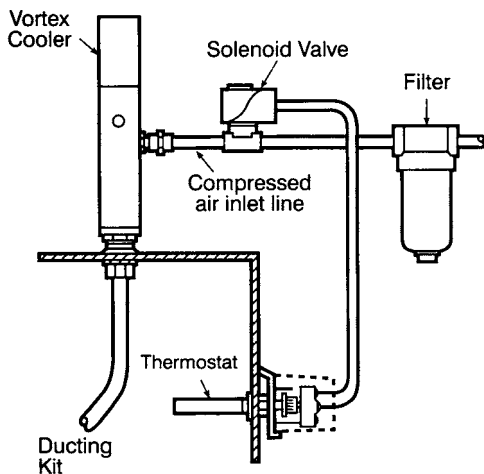
- A 5 micron water and particulate removal filter must be installed prior to operating any Vortex Cooler (included in kits)
- An oil removable filter can be installed between the 5 micron filter and the Vortex cooler if oil is present in the compressed air line
- Mounting holes:
 - NEMA 12 kits — (1) 1-3/32" (28mm) or 3/4" knockout hole for cooling tube and (1) 11/16" hole for thermostat
 - NEMA 4 & NEMA 4X kits — (1) 1-5/16" (49mm) or 1-1/2" knockout hole for cooling tube and (2) #8 holes for thermostat

Kit Includes the Following

- Vortex Cooling Tube
- Solenoid Valve 120V 60Hz – 110V 50 Hz (230V available)
- 5 micron water and particulate removal filter
- Ducting Kit
- Thermostat

How Enclosure Coolers Create Cold Air

Vortex Coolers are powered by a vortex tube – a unique device that creates a vortex from compressed air and separates it into hot and cold airstreams. Here's how it works. The vortex tube's cylindrical generator causes the input compressed air to rotate, reaching speeds up to 1,000,000 rpm as it is forced down the inner walls of the hot, or longer end of the vortex tube. At the end of the hot tube, a small portion of this air exits through a needle valve as hot air exhaust. The remaining air is forced back through the center of the incoming air stream at a slower speed. The heat in the slower moving air is transferred to the faster moving incoming air. This super-cooled air flows through the center of the generator and exits through the cold air exhaust port.

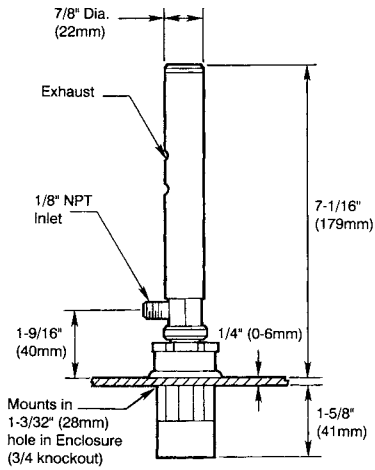


VORTEX COOLERS

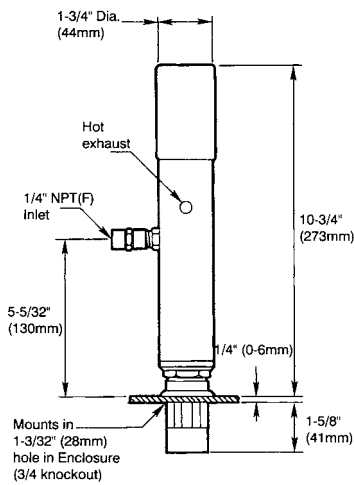
Catalog Number	Capacity		Air Consumption			Tube Surface Temp at BTU	Thermostat Mounting	NEMA Type	UL Type	Cooling Tube Materials
	BTU/H	K CAL/H	SCFM	SLPM	Thermostat (Factory Set)					
W750400	400	101	8	227	90°F ± 2°	150°F	External	12	12	Aluminum
W740900	900	225	15	425	90°F ± 2°	150°F	External	12	12	Aluminum
W7901500	1500	378	25	708	90°F ± 2°	150°F	External	12	12	Aluminum
W7971700	1700	425	25	708	90°F ± 2°	150°F	Internal	4	4	Aluminum
W797SS1700	1700	425	25	708	90°F ± 2°	150°F	Internal	4X	4X	Stainless Steel

ACCESSORIES

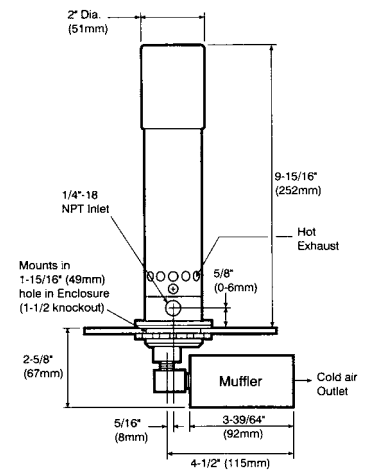
Catalog Number	Filter and Type Size
W38OILFILTER	Auto-drain oil removal filter, 3/8" NPT (F), rated to 25 SCFM/708 SLPM
W12OILFILTER	Auto-drain oil removal filter, 1/2" NPT (F), rated to 50 SCFM/1415 SLPM



Model W750400



Model W740900 & W7901500



Model W7971700 & W797SS1700

Note: Thermostats for Models W750400, W740900 and W7901500 mounts in an 11/16" (18mm) diameter hole.



FBF1010115V

Industry Standards

UL Recognized Component
cUL Recognized Component
CE Recognized

FEATURES-SPECIFICATIONS

Applications

Used for enclosure cooling in low static pressure applications

Features

- High airflow, low noise operation
- Reliable cooling is achieved particularly in areas with minimum space requirements
- The cooling system incorporates the filtered fan boxes as its air inlet, while the exhaust grille is the air outlet

- The washable exhaust grille and aluminum filter are easily accessible and can be removed for cleaning
- Available in 115 VAC or 230 VAC 50/60 HZ versions
- Steel construction
- Attractive, aesthetically appealing grille design
- All models can pressurize or exhaust
- Included aluminum filter is coated with adhesive baffle surfaces for dust and dirt collection. The filter can be recoated after cleaning for optimum performance

Note: One grille and filter are included with each fan package. Normally, an additional exhaust grille and filter is required for each installation and must be ordered separately.

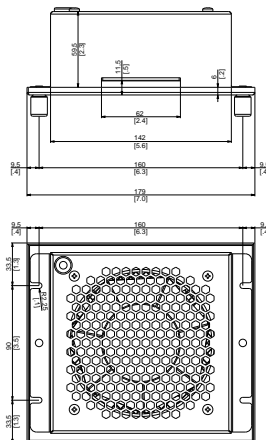
Accessories

- Exhaust Grille and Filters (see page M22)

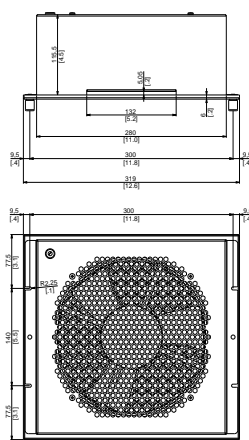
FILTERED BOX FANS

Catalog Number	Free-Flow Air Delivery (CFM)	Rated Voltage	Nominal (RPM)	Watts
FBF44115V	117	115	0.24	20
FBF44230V	117	230	0.12	21
FBF66115V	239	115	0.23	27
FBF66230V	239	230	0.11	26
FBF1010115V	630	115	0.62	68
FBF1010230V	630	230	0.30	63

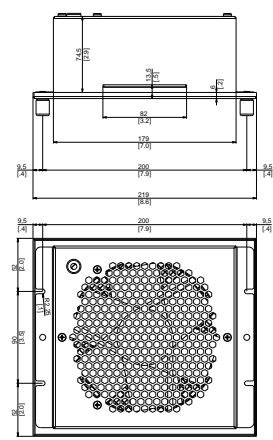
FBF44 (115V, 230V)



FBF66 (115V - 230V)



FBF1010 (115V - 230V)





FRFBF44, FRFBF66, FRFBF1010

Industry Standards

UL Recognized Component
 cUL Recognized Component
 CE Recognized

FEATURES-SPECIFICATIONS

Features

- Mounting holes on filter brackets align with Exhaust Grille for easy mouting
- Filters are designed to mount behind Exhuast Grille
- Kit includes washable Exhaust Grille, aluminum filter, mounting brackets, and all necessary hardware for installation

EXHAUST GRILLE W/FILTER KIT

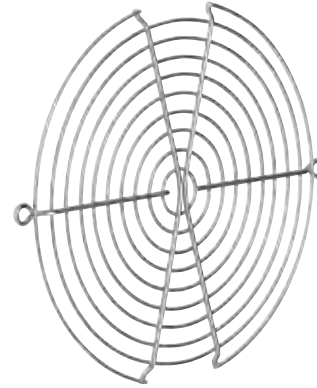
Catalog Number	For use with
EGFBF44	FBF44115V & FBF44230V
EGFBF66	FBF66115V & FBF66230V
EGFBF1010	FBF1010115V & FBF1010230V

REPLACEMENT ALUMINUM FILTER ONLY

Catalog Number	For use with
FRFB44	FBF44115V & FBF44230V
FRFB66	FBF66115V & FBF66230V
FRFB1010	FBF1010115V & FBF1010230V



WA4AXFN



WAGARD6

FEATURES-SPECIFICATIONS

MUFFIN FANS & FINGER GUARDS

Applications

Designed for use in enclosures where space is limited and reliable cooling is required.

Features

- Fan furnished standard with 24" lead wire. 90 degree plug attached
- Black color
- Impeller and frame are glass reinforced thermoplastic, UL94-VO
- Die cast aluminum housing

- Finger guards are welded electro-plated nickel chrome steel wire. Guards withstand 200 lbs. separation force to meet UL, CSA standards
- One finger guard and all mounting hardware is provided. Additional finger guards can be mounted on either side for maximum safety

WAXFN SERIES MUFFIN FANS & WAGARD SERIES FINGER GUARDS

Catalog Number		Voltage Rating	Rated Input (Watts)	Freq. (Hz)	Rated Speed (RPM)	Noise Level	Maximum Air flow		Maximum Static Pressure/H ₂ O	Dimensions HxWxD
Fan	Fan Guard						(M ₃ /MIN)	CFM		
WA4AXFN	WAGARD4	115	17/15	50/60	2500/3000	37 ± 2	2.5/3.1	88/110	5.8/7.0	4.71x4.71x1.50 (120x120x38)
WA4AXFN2	WAGARD4	230	17/15	50/60	3500/3000	37 ± 2	2.5/3.1	88/110	5.8/7.0	4.71x4.71x1.50 (120x120x38)
WA6AXFN	WAGARD6	115	26/35	50/60	2800/3500	46 ± 2	5.4/6.6	190/235	5.4/6.6	6.77x6.77x2.01 (172x172x51)
WA6AXFN2	WAGARD6	230	26/35	50/60	2800/3500	46 ± 2	5.4/6.6	190/235	5.4/6.6	6.77x6.77x2.01 (172x172x51)
WA10AXFN	WAGARD10	115	35	50/60	1650	55	—	547	10	10.00x10.00x3.50 (254x254x89)
WA10AXFN2	WAGARD10	230	33	50/60	1650	55	—	547	10	10.00x10.00x3.50 (254x254x89)

ENVIRONMENTAL CONTROLS
WAVK, WAVK-SS & WAFLT LOUVER PLATE KITS & FILTER KITS



WAVK0303SSA



WAFLT33

FEATURES-SPECIFICATIONS

LOUVER PLATE KITS

Description

Designed to provide ventilation or cooling in enclosures where excessive moisture or excessive internal heat is a problem. These kits are fabricated from carbon steel or 316L stainless steel and include all hardware for mounting. Kits are easily field installed by making a cutout of the proper size and attaching the louver plate in place. Finish is ANSI 61 gray polyester powder finish. Filter kit must be ordered separately.

FILTER KITS FOR LOUVER PLATES KITS

Description

Designed for use with Louver Plate Kit. Mounting holes on filter brackets align with mounting holes on louver kits. Aluminum filters are good for stopping dust and dirt from penetrating the enclosures. Filters are designed to mount behind louver kits. Kit consists of aluminum filter, brackets and all necessary hardware for installation. Louver kit must be ordered separately.

WAVK SERIES LOUVER PLATE KIT AND WAFLT SERIES FILTER KITS FOR LOUVER PLATES

Louver Kit Painted	Catalog Number		Number of Louvers	Number of Louver rows	Louver Length	A	B	L	M	P	R	S
	Louver Kit 316 SS	Filter Kit										
WAVK0203	WAVK0203SSA	—	3	1	2.00 (51)	3.25 (83)	3.25 (83)	2.00 (51)	2.00 (51)	2.50 (64)	2.50 (64)	—
WAVK0303	WAVK0303SSA	WAFLT33	3	1	3.00 (76)	3.87 (98)	4.50 (114)	2.62 (67)	3.25 (83)	3.12 (79)	3.75 (95)	—
WAVK0304	WAVK0304SSA	WAFLT34	4	1	3.00 (76)	4.75 (121)	4.50 (114)	3.50 (89)	3.25 (83)	4.00 (102)	3.75 (95)	—
WAVK0404	WAVK0404SSA	WAFLT44	4	1	4.00 (102)	5.62 (143)	5.50 (140)	4.37 (111)	4.25 (108)	4.87 (124)	4.75 (121)	—
WAVK0604	WAVK0604SSA	WAFLT64	8	2	3.00 (76)	5.62 (143)	7.50 (191)	4.37 (111)	6.25 (159)	4.87 (124)	6.75 (171)	—
WAVK0606	WAVK0606SSA	WAFLT66	12	2	3.00 (76)	7.87 (200)	7.50 (191)	6.62 (168)	6.25 (159)	7.12 (181)	6.75 (171)	3.56 (90)
WAVK0806	WAVK0806SSA	WAFLT86	12	2	4.00 (102)	8.18 (208)	9.50 (241)	6.93 (176)	8.25 (210)	7.43 (189)	8.75 (222)	3.71 (94)
WAVK0808	WAVK0808SSA	WAFLT88	16	2	4.00 (102)	10.56 (268)	9.50 (241)	9.31 (236)	8.25 (210)	9.81 (249)	8.75 (222)	4.90 (124)
WAVK0812	WAVK0812SSA	WAFLT812	24	2	4.00 (102)	15.31 (389)	9.50 (241)	14.06 (357)	8.25 (210)	14.56 (370)	8.75 (222)	7.28 (185)

Note: Center holes (dimension "S") are not needed on any filter kits. Only 6 x 6 and larger louver kits require center holes.

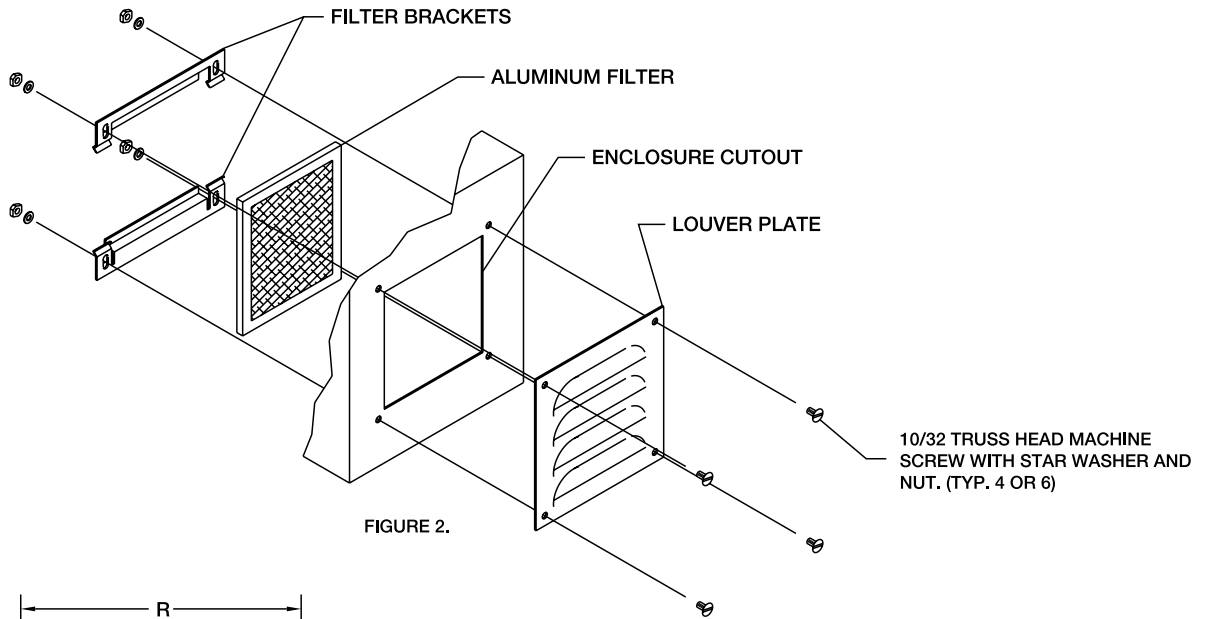


FIGURE 2.

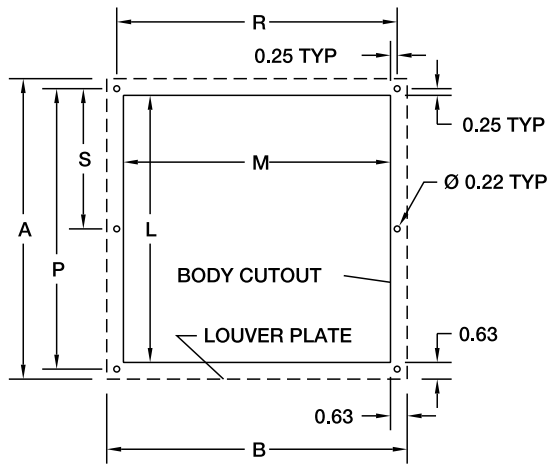


FIGURE 1

Notes:

Installation Instructions

1. Make sure the proper louver kit and/or filter kit has been ordered.
2. Locate and mark holes and cutout as shown in figure 1.
3. Drill holes using a 7/32" drill bit making sure there are no electrical wires or internal components in the way.
4. Assemble louver kits and/or filter kits as shown in figure 2.

Note: After installation is complete, make sure louver and filter kits do not interfere with any internal or external equipment.



RH115230V100W



RHPC115230V25W

Industry Standards

- UL Recognized Component
- cUL Recognized Component
- CE Recognized

FEATURES-SPECIFICATIONS

Applications

Designed to provide enclosed electronic, pneumatic, hydraulic and mechanical equipment with protection from low temperatures, condensation and corrosion

Features

- Heater maintains a stable temperature within the enclosure, allowing critical components to perform with consistent reliability

- Heaters include DIN rail clip 1.37"
- Connection is silicon cable, 2 x 20 AWG, 15.75" length on 25W and 50W units, 2 screw terminal block for 14 AWG on 75W, 100W and 150W units
- RHPC heaters are supplied with a heat guard to protect the heating element

- CAUTION—do not mount on wooden structures, avoid placement near heat sensitive components

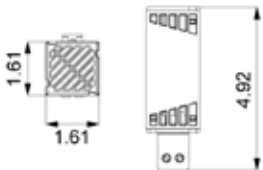
Accessories

- Thermostats (see pages M31-M32)

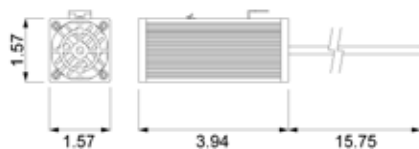
RH/RHPC SERIES RADIANT HEATERS

Catalog Number	Watts	Rated Voltage	Dimensions HxWxD
RH115230V25W	25	110-240	3.94x1.57x1.57 (100x40x40)
RH115230V50W	50	110-240	3.94x1.57x1.57 (100x40x40)
RH115230V75W	75	110-240	5.51x2.32x2.40 (140x59x61)
RH115230V100W	100	110-240	5.51x2.32x2.40 (140x59x61)
RH115230V150W	150	110-240	8.66x2.32x2.40 (220x59x61)
RHPC115230V25W	25	110-240	4.92x1.61x1.61 (125x41x41)
RHPC115230V50W	50	110-240	4.92x1.61x1.61 (125x41x41)
RHPC115230V75W	75	110-240	5.51x2.76x2.48 (140x70x63)
RHPC115230V100W	100	110-240	5.51x2.76x2.48 (140x70x63)
RHPC115230V150W	150	110-240	8.66x2.76x2.48 (225x70x63)

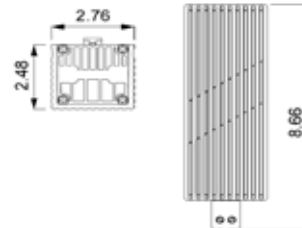
RHPC SERIES 25&50W



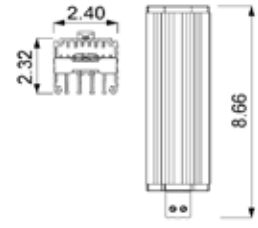
RH SERIES 25&50W



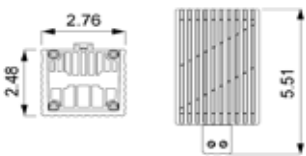
RHPC SERIES 150W



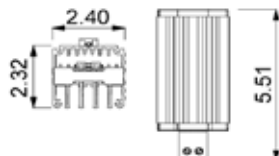
RH SERIES 150W



RHPC SERIES 75&100W



RH SERIES 75&100W





WHVLO31100120

Industry Standards

- UL Recognized Component
- cUL Recognized Component
- CE Recognized

FEATURES-SPECIFICATIONS

Applications

Used when larger heating capacities or internal forced air circulation is required and space is limited.

Features

- Compact design to prevent condensation and maintain a minimum temperature inside of the enclosure
- Cartridge heater heating element
- 50,000 hour life expectancy at 77°F ambient temperature
- Connection: 5 pole terminal for max. 14 AWG
- Easily installed by clip mounting on 35mm DIN rails
- Protection class 1 (tested for grounding at 1,500 V)
- Heater comes fully assembled

with fan

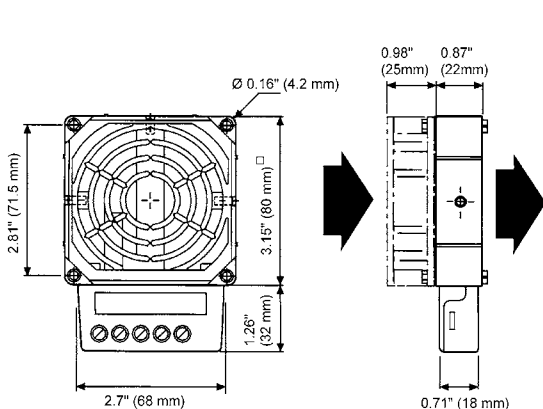
- **CAUTION**—Do not mount on wooden structures. Avoid placement near heat-sensitive components. Note that fan must be used in conjunction with heating element

Accessories

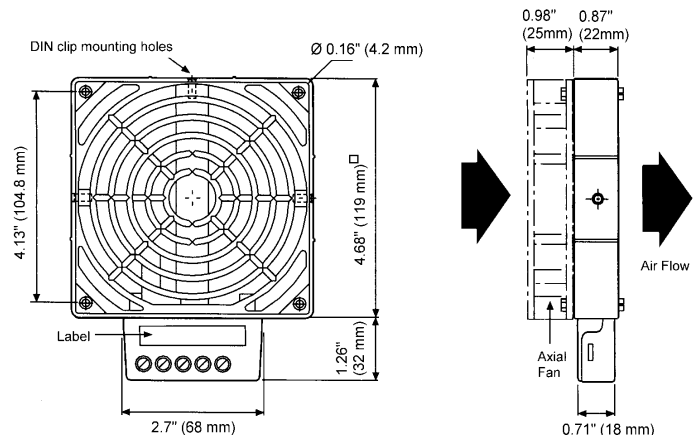
- Thermostats (see pages M31-M32)

WHVL SERIES FAN HEATERS

Catalog Number	Rated Voltage	Watts	Operating Current (AMPS)	Maximum Temperature With Fan	Dimensions HxWxD
WHVLO31100120	120	100	0.89	250°F (120°C)	1.85x3.15x4.41(47x80x112)
WHVLO31150120	120	150	1.30	320°F (160°C)	1.85x3.15x4.41(47x80x112)
WHVLO31200120	120	200	1.79	250°F (120°C)	1.85x4.68x5.94(47x119x151)
WHVLO31300120	120	300	2.62	320°F (160°C)	1.85x4.68x5.94(47x119x151)
WHVLO31400120	120	400	3.45	360°F (180°C)	1.85x4.68x5.94(47x119x151)
WHVLO31400230	230	400	3.45	360°F (180°C)	1.85x4.68x5.94(47x119x151)



100 & 150W Heaters



200, 300 & 400W Heaters



FH125W/200W



FH400W/800W

Industry Standards

- UL Recognized Component
- cUL Recognized Component
- CE Recognized

FEATURES-SPECIFICATIONS

Applications

Designed to prevent condensation and to maintain a minimum temperature inside of an enclosure

Features

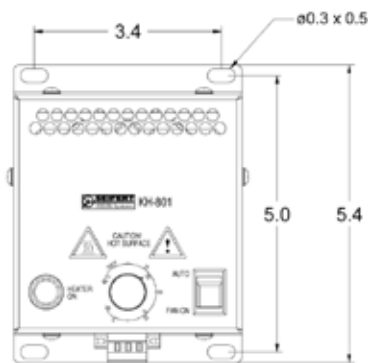
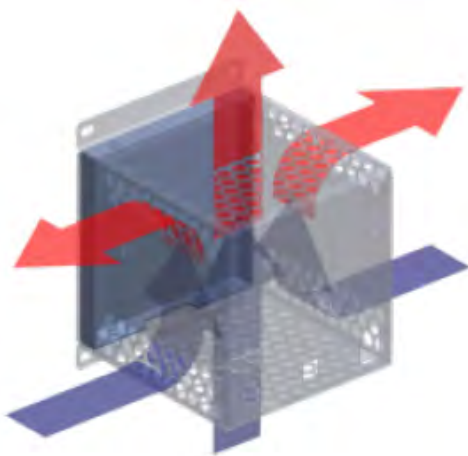
- Built in adjustable thermostat

- Aluminum housing
- Includes an auto fan control switch to prolong motor life
- Light weight design allows for easy panel mounting
- Pilot light for “heat on” indication

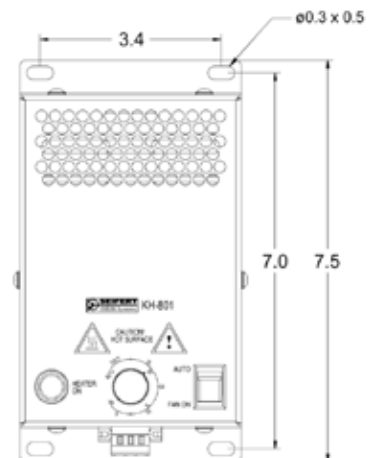
- Integrated overheat protection
- CAUTION— do not mount on wooden structures, avoid placement near heat sensitive components

FH SERIES FAN HEATERS

Catalog Number	Rated Voltage	Watts	Thermostat Range	Fan	Temperature Scale	Dimensions HxWxD
FH115V125W	115	125	-4 to 104 deg F	16 CFM	Fahrenheit	5.39x4.09x4.61 (137x104x117)
FH230V125W	230	125	-4 to 104 deg F	16 CFM	Fahrenheit	5.39x4.09x4.61 (137x104x117)
FH115V200W	115	200	-4 to 104 deg F	16 CFM	Fahrenheit	5.39x4.09x4.61 (137x104x117)
FH230V200W	230	200	-4 to 104 deg F	16 CFM	Fahrenheit	5.39x4.09x4.61 (137x104x117)
FH115V400W	115	400	-4 to 104 deg F	26 CFM	Fahrenheit	7.48x4.09x4.61 (190x104x117)
FH230V400W	230	400	-4 to 104 deg F	26 CFM	Fahrenheit	7.48x4.09x4.61 (190x104x117)
FH115V800W	120	800	-4 to 104 deg F	26 CFM	Fahrenheit	7.48x4.09x4.61 (190x104x117)
FH230V800W	230	800	-4 to 104 deg F	26 CFM	Fahrenheit	7.48x4.09x4.61 (190x104x117)



FH115V125W - FH230V200W



FH115V400W - FH230V800W



FH250W



FH400W/500W



FH750W

Industry Standards

- UL Recognized Component
- cUL Recognized Component
- CE Recognized
- VDE Approval

FEATURES-SPECIFICATIONS

Applications

This fan assisted register heater is designed for when larger heating capacities or internal forced air circulation is required. The heater prevents condensation and maintains a minimum temperature inside of an enclosure.

Features

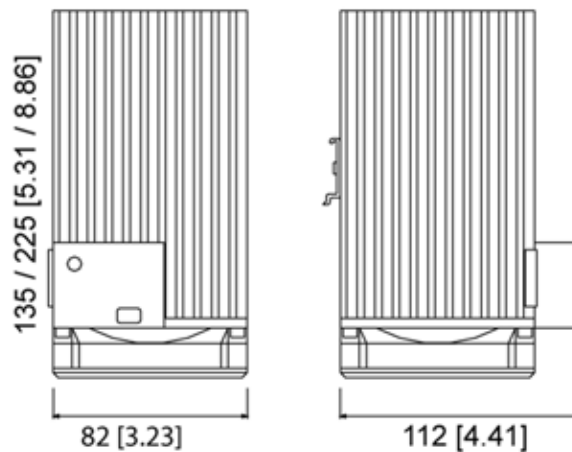
- Supplied with DIN rail clip installed
- Easily installed on 35mm DIN rail
- Connection is 3 screw terminal for 14 AWG
- CAUTION— do not mount on wooden structures, avoid placement near heat sensitive components

Accessories

- Thermostats (see pages M31-M32)

FH SERIES FAN HEATERS

Catalog Number	Rated Voltage	Watts	Starting Amps	Circulation Power	Dimensions HxWxD
FH115V250W	115	250	2.4	20 CFM	5.30x4.40x3.20 (135x112x81)
FH230V250W	230	250	1.2	20 CFM	5.30x4.40x3.20 (135x112x81)
FH115V400W20	115	400	3.8	20 CFM	6.50x4.40x3.20 (165x112x81)
FH230V400W20	230	400	1.9	20 CFM	6.50x4.40x3.20 (165x112x81)
FH115V500W	115	500	4.8	20 CFM	6.50x4.40x3.20 (165x112x81)
FH230V500W	230	500	2.4	20 CFM	6.50x4.40x3.20 (165x112x81)
FH115V750W	115	750	7.2	26 CFM	8.80x4.40x3.20 (224x112x81)
FH230V750W	230	750	3.6	26 CFM	8.80x4.40x3.20 (224x112x81)



FH SERIES with height variance
(5.30, 6.50, & 8.80 inches)



FH115230V300W

Industry Standards

- UL Recognized Component
- cUL Recognized Component
- CE Recognized
- VDE Approval

FEATURES-SPECIFICATIONS

Applications

- Designed for when larger heating capacities or internal forced air circulation is required
- Prevents condensation and maintains a minimum temperature inside of an enclosure

Features

- The small size makes it a cost effective solution for temperature control
- Delivery includes DIN rail clips and screw mount capabilities
- DIN rail clips for 15 and 35mm

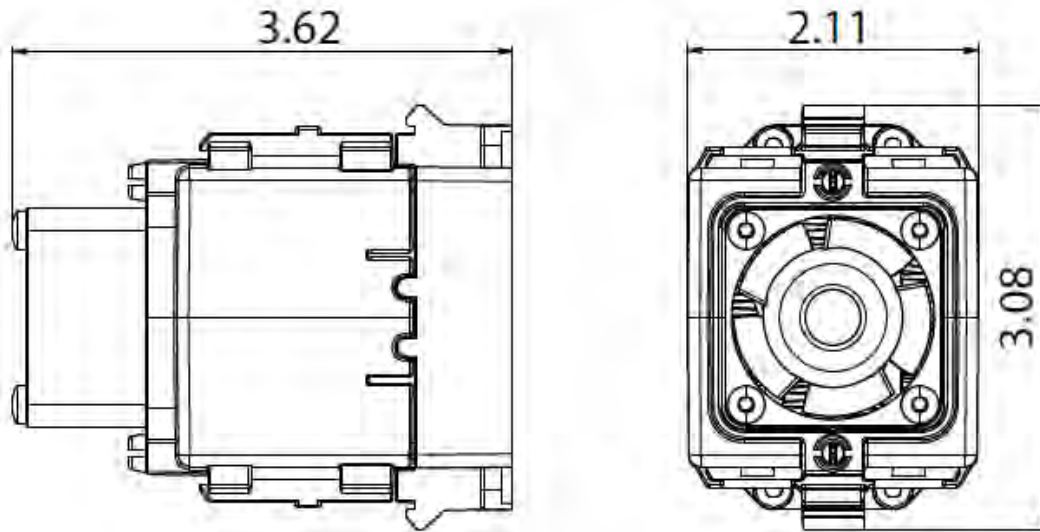
- CAUTION— do not mount on wooden structures, avoid placement near heat sensitive components

Accessories

- Thermostats (see pages M31-M32)

FH SERIES FAN HEATERS

Catalog Number	Product Description	Voltage/Frequency	Watts	Circulation Power	Temperature Range	Dimensions HxWxD
FH115230V300W	Heater, Fan, 300W, 6CFM, 115/230V	110-240VAC, 50/60 Hz, Fan 24VOC	300	6 CFM	14 - 158 deg. F	3.60x2.10x3.10 (91x53x79)
FH115230V350W	Heater, Fan, 350W, 10CFM, 115/230V	110-240VAC, 50/60 Hz, Fan 24VOC	350	10 CFM	14 - 158 deg. F	3.60x2.10x3.10 (91x53x79)



FH115230V (300W and 350W)



TANC1080C



TANO1080C



TTANCNC1080C



TTANCNO1080C



TTANONO1080C



TCTF060C

Industry Standards

- UL Recognized Component
- cUL Recognized Component
- CE Recognized
- CSA Rated

FEATURES-SPECIFICATIONS

Applications

- Designed to provide air temperature control and monitoring in enclosures that are set up to operate with heaters, fans, filter ventilators, heat exchangers and signal transmitters
- TTA (Twin Thermostat Adjustable) houses two separate thermostats, allowing the independent control

of heating and cooling equipment. Both thermostats have color coded dial disks for easy function recognition

Features

- Normally Closed Thermostat - for the control of heaters
- Normally Open Thermostat - for the control of cooling units, fans, filter ventilators or signal transmitters

- Color coded dial disk for easy identification (Red = NC / Blue = NO)
- Available in Fahrenheit or Celsius scale
- Easily installed by clip mounting on 35mm DIN rail
- Connection is 2 pole terminal for 14-20 AWG

TAN & TTA & TCT SERIES THERMOSTATS

Catalog Number	Temperature Scale	Temperature Range	Switching	Max Switching Capacity	For Product Type	Dimensions HxWxD
TANC14176F	Fahrenheit	14-176 deg F	Normally closed	16A-250V AC, 10A-50/60Hz, 72V DC - max. 30W	Heating	2.36x1.54x1.67 (60x39x42)
TANC1080C	Celsius	-10-80 deg C	Normally closed	16A-250V AC, 10A-50/60Hz, 72V DC - max. 30W	Heating	2.36x1.54x1.67 (60x39x42)
TANO14176F	Fahrenheit	14-176 deg F	Normally open	16A-250V AC, 10A-50/60Hz, 72V DC - max. 30W	Cooling	2.36x1.54x1.67 (60x39x42)
TANO1080C	Celsius	-10-80 deg C	Normally open	16A-250V AC, 10A-50/60Hz, 72V DC - max. 30W	Cooling	2.36x1.54x1.67 (60x39x42)
TTANCNO14176F	Fahrenheit	14-176 deg F	Normally closed/ Normally open	16A-250V AC, 10A-50/60Hz, 72V DC - max. 30W	Heating/Cooling	2.36x2.85x1.67 (60x72x42)
TTANCNO1080C	Celsius	-10-80 deg C	Normally closed/ Normally open	16A-250V AC, 10A-50/60Hz, 72V DC - max. 30W	Heating/Cooling	2.36x2.85x1.67 (60x72x42)
TTANCNC1080C	Celsius	-10-80 deg C	Normally closed/ Normally closed	16A-250V AC, 10A-50/60Hz, 72V DC - max. 30W	Heating	2.36x2.85x1.67 (60x72x42)
TTANCNC14176F	Fahrenheit	14-176 deg F	Normally closed/ Normally closed	16A-250V AC, 10A-50/60Hz, 72V DC - max. 30W	Heating	2.36x2.85x1.67 (60x72x42)
TTANONO1080C	Celsius	-10-80 deg C	Normally open/ Normally open	16A-250V AC, 10A-50/60Hz, 72V DC - max. 30W	Cooling	2.36x2.85x1.67 (60x72x42)
TTANONO14176F	Fahrenheit	14-176 deg F	Normally open/ Normally open	16A-250V AC, 10A-50/60Hz, 72V DC - max. 30W	Cooling	2.36x2.85x1.67 (60x72x42)
TCTF060C	Celsius	0-60 deg C	Changeover w/ thermal feedback	16A-250V AC, 10A-50/60Hz, 72V DC - max. 30W	Heating/Cooling	2.36x1.54x2.10 (60x39x53)
TCTF32140F	Fahrenheit	32-140 deg F	Changeover w/ thermal feedback	16A-250V AC, 10A-50/60Hz, 72V DC - max. 30W	Heating/Cooling	2.36x1.54x2.10 (60x39x53)



ETF-3000



HMC230V

Industry Standards

- UL Recognized Component
- cUL Recognized Component
- CE recognized

FEATURES-SPECIFICATIONS

Applications

- Designed to provide both air temperature and humidity control as well as monitoring in electrical and electronic enclosures
- Highly effective in ATM's, parking control gates, ticket dispensers and traffic control systems where equipment is exposed to a wide range of outdoor elements
- Resistive and inductive loads (heaters or fans) can be switched
- Easily installed by clip mounting on 35mm DIN rail

Features

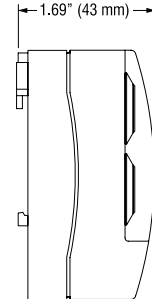
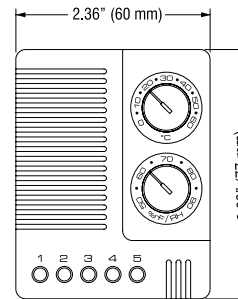
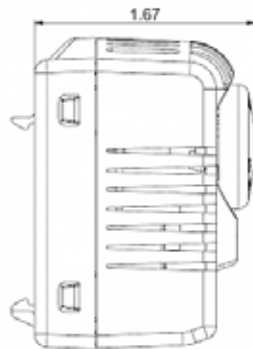
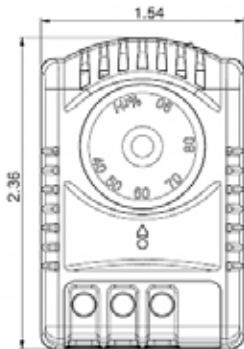
- Independently senses the relative humidity and temperature

THERMOSTATS/HUMIDISTATS/HYGROSTATS

Catalog Number	Type	Operating Voltage	Temperature Scale	Switching Difference (Hysteresis)	Temperature Range	Relative Humidity Range	Dimensions HxWxD
ETF3000120F	Thermostat/Humidistat	120	Fahrenheit	Approx. 3.6 deg F (2 deg K)	32-140 deg F	50 to 90%	2.64x1.97x1.54 (67x50x39)
ETF3000	Thermostat/Humidistat	230	Celsius	Approx. 3.6 deg F (2 deg K)	0-60 deg C	50 to 90%	2.64x1.97x1.54 (67x50x39)
HMC230V	Hygrostat (mechanical changeover)	max. 230	Fahrenheit	4 +/- 1%	32-140 deg F	40 to 90%	2.36x1.54x1.67 (60x39x42)

HMC 230V

ETF 3000





STFX05

Applications

Effective substitute for DIN rail or “Unistrut”. Multipurpose mounting device which allows the mounting of small DIN rail mountable appliances.

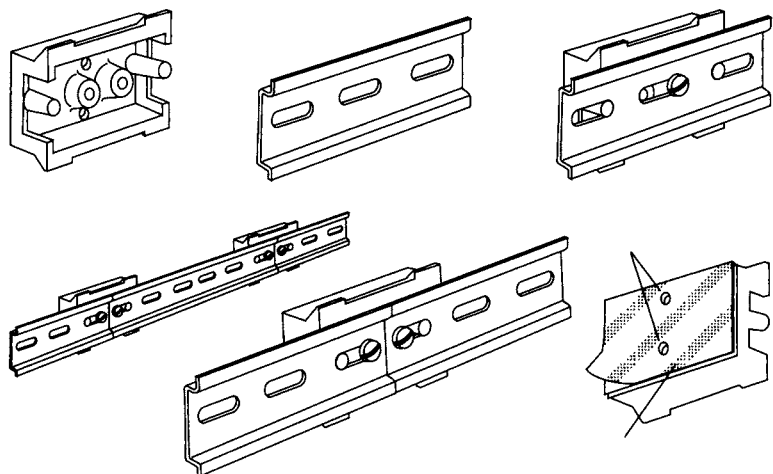
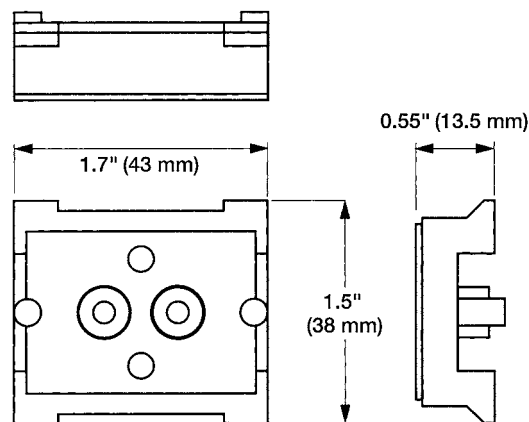
Features

- Provides direct snap-in mounting for thermostats, time relays, small heaters, terminals and other appliances with DIN rail mounting or by the use of screw holes
- Includes self adhesive backing which holds a continuous load of 1.1 lbs after a 24 hour curing period
- Holes for screw mounting are provided for heavier applications

STFX SERIES UNIVERSAL THERMOSTAT MOUNT

Catalog Number	Holding Capacity	Package Quantity	Temp. Range of Mounting Material	Dimensions HxWxD
STFX05	.44 lbs. (200g) initially 1.1 lbs. (500g) after 24 hour curing period	5	22-131°F (-30-55°C)	1.50x1.70x.55 (38x43x14)

**Sold in package quantity only*





WAFMP4

FEATURES-SPECIFICATIONS

Features

- Designed to mount a fan and louver kit together
- Filter can be removed, cleaned, and replaced without any disassembly
- Fan mounting plate kit consists of the fan mounting plate, filter and all necessary mounting hardware

WAFMP SERIES FAN MOUNTING PLATE KIT

Filter & Fan Mounting Plate Kit	Fan*	Louver Kit Painted**	Fan Guard***
WAFMP4	WA4AXFN	WAVK0606	WAGARD4
WAFMP4	WA4AXFN2	WAVK0606	WAGARD4
WAFMP6	WA6AXFN	WAVK0806	WAGARD6
WAFMP6	WA6AXFN2	WAVK0806	WAGARD6
WAFMP10	WA10AXFN	WAVK0812	WAGARD10
WAFMP10	WA10AXFN2	WAVK0812	WAGARD10

Note: Fan, louver kit and fan guard are not included in the WAFMP kit and must be ordered separately

*See page M23 for information on fans.

**See page M24 for information on louver kits.

***See page M23 for information on fan guards.

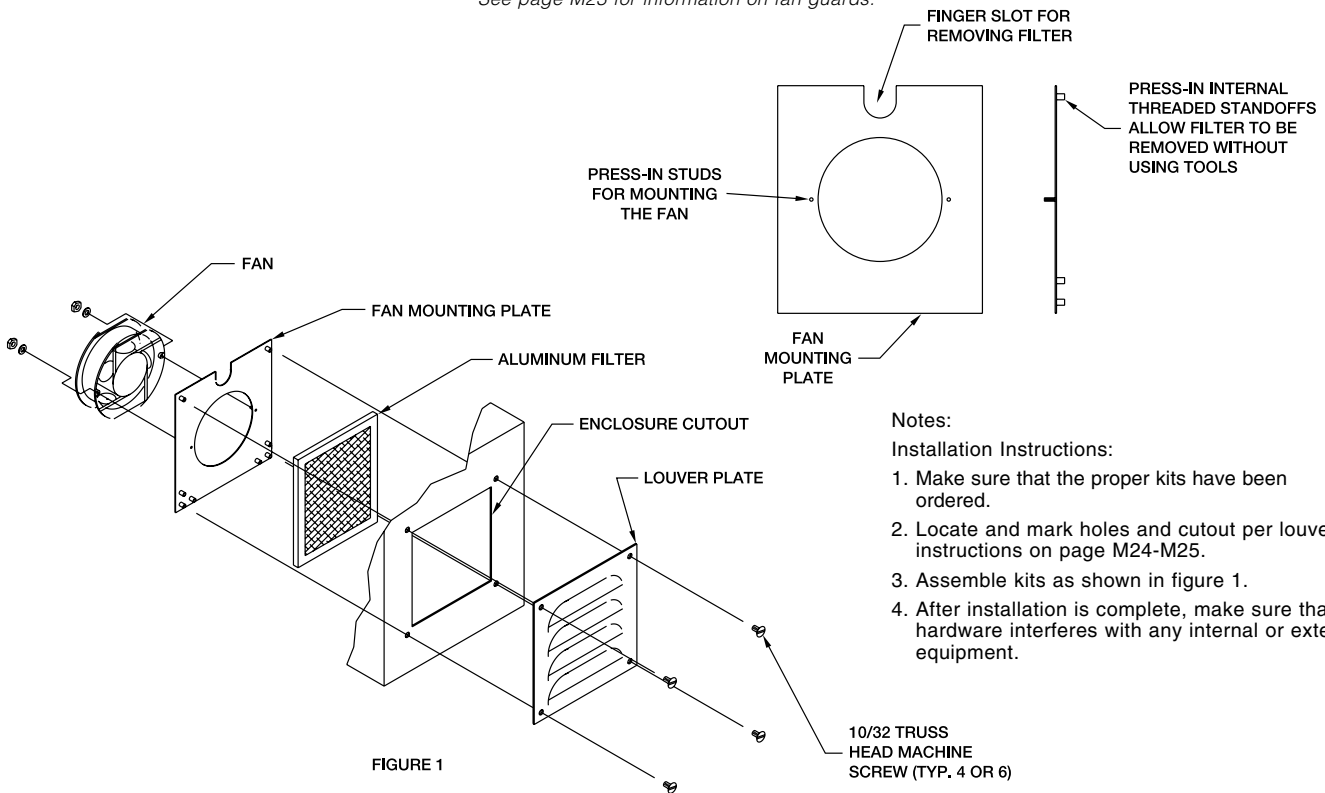


FIGURE 1


Notes:

Installation Instructions:

1. Make sure that the proper kits have been ordered.
2. Locate and mark holes and cutout per louver kit instructions on page M24-M25.
3. Assemble kits as shown in figure 1.
4. After installation is complete, make sure that no hardware interferes with any internal or external equipment.



FF8865CFM115VB

- CE Industry Standards**
 IP54
 IP55 (with fine filter mat)
 UR Recognized component

FEATURES-SPECIFICATIONS

Application

- The latest passive technology for fan cooling and pressurizing of enclosures
- Filtered passive ventilation can be provided by an exhaust filter for either convection cooling or in combination with a fan in forced air cooling
- Used in combination with thermostats, energy costs are reduced as the fan is only operating when needed

Features

- Available in 115 or 230 volt
- Polyurethane foam gasketed seal on mounting frame
- Shielded and self lubricating ball bearing fans
- Air channeling makes the filter fan particularly quiet in operation

- Durable, reusable filter mat included that can be cleaned up to 10 times by washing, blowing dry and lightly beating
- Replacement of the filter is done from the outside of the enclosure, without tools
- No tools or hardware required for installing cut-out on enclosure with mounting wall thickness of 0.039" - 0.098". Holes also provided in fan frame for screw mounting with wall mounting thickness under 0.039" or over 0.098"
- Available in light gray or black

Exhaust Grille & Filter Features

- Polyurethane foam gasketed seal on mounting frame
- Durable, reusable G3 filter mat included that can be cleaned up to 10 times by washing, blowing dry and lightly beating

- Replacement of the filter is done from the outside of the enclosure, without tools
- No tools or hardware required for installing cut-out on enclosure with mounting wall thickness of 0.039" - 0.098". Holes also provided in grille frame for screw mounting with wall mounting thickness under 0.039" or over 0.098"
- Available in light gray or black

Replacement Filter Mat Features

- Available in both G3 and G4 filter mat options
- Can be cleaned up to 10 times by washing, blowing dry and lightly beating

ENVIRONMENTAL CONTROLS FF SERIES - FILTER FANS/EXHAUST FILTER & MATS



EG44B



EG88G

FF SERIES FILTER FANS

Catalog Number		Operating Voltage	CFM	Current Consumption	Power Consumption	Noise Level	Mounting Depth	Enclosure Cut-out +/- 0.03(0.76)	Weight
Black Grille	Gray Grille								
FF4415CFM115VB	FF4415CFM115VG	115	15	127 mA	10W	42 dB	2.87 (73)	3.63x3.63 (92 x 92)	1.2 lbs (0.54 kg)
FF4415CFM230VB	FF4415CFM230VG	230	15	68 mA	11W	42 dB	2.87 (73)	3.63x3.63 (92 x 92)	1.2 lbs (0.54 kg)
FF6650CFM115VB	FF6650CFM115VG	115	50	220 mA	17W	44 dB	2.56 (65)	4.95x4.95 (126x126)	1.8 lbs (0.82 kg)
FF6650CFM230VB	FF6650CFM230VG	230	50	100 mA	16W	44 dB	2.56 (65)	4.95x4.95 (126x126)	1.8 lbs (0.82 kg)
FF8865CFM115VB	FF8865CFM115VG	115	65	202 mA	18W	49 dB	3.46 (88)	7.00x7.00 (178x178)	2.7 lbs (1.22 kg)
FF8865CFM230VB	FF8865CFM230VG	230	65	100 mA	18W	54 dB	3.46 (88)	7.00x7.00 (178x178)	2.7 lbs (1.22 kg)
FF1010159CFM115VB	FF1010159CFM115VG	115	159	270 mA	31W	55 dB	4.53 (115)	8.81x8.81 (224x224)	3.3 lbs (1.50 kg)
FF1010159CFM230VB	FF1010159CFM230VG	230	159	160 mA	36W	55 dB	4.53 (115)	8.81x8.81 (224x224)	3.3 lbs (1.50 kg)

EG SERIES EXHAUST GRILLE & FILTER

Catalog Number		For use with	Filter Material	Mounting Depth	Enclosure Cut-out +/- 0.03(0.76)	Weight
Black Grille	Gray Grille					
EG44B	EG44G	FF4415CFM115V	G3	0.65 (17)	3.63x3.63 (92 x 92)	0.15 lbs (0.07 kg)
EG44B	EG44G	FF4415CFM230V	G3	0.65 (17)	3.63x3.63 (92 x 92)	0.15 lbs (0.07 kg)
EG66B	EG66G	FF6650CFM115V	G3	0.84 (21)	4.95x4.95 (126x126)	0.40 lbs (0.18 kg)
EG66B	EG66G	FF6650CFM230V	G3	0.84 (21)	4.95x4.95 (126x126)	0.40 lbs (0.18 kg)
EG88B	EG88G	FF8865CFM115V	G3	0.84 (21)	7.00x7.00 (178x178)	0.57 lbs (0.26 kg)
EG88B	EG88G	FF8865CFM230V	G3	0.84 (21)	7.00x7.00 (178x178)	0.57 lbs (0.26 kg)
EG1010B	EG1010G	FF1010159CFM115V	G3	0.98 (25)	8.81x8.81 (224x224)	0.93 lbs (0.42 kg)
EG1010B	EG1010G	FF1010159CFM230V	G3	0.98 (25)	8.81x8.81 (224x224)	0.93 lbs (0.42 kg)

REPLACEMENT FILTER MATS

Catalog Number	
G3 Filter	G4 Filter
FR44G3	—
FR44G3	—
FR66G3	FR66G4
FR66G3	FR66G4
FR88G3	FR88G4
FR88G3	FR88G4
FR1010G3	FR1010G4
FR1010G3	FR1010G4



Industry Standards

UR, cUR, and CE recognized

IP43

(IP54 with optional WPFG Series gasket)

FEATURES-SPECIFICATIONS

Application

- The latest passive technology for fan cooling and pressurizing of enclosures
- Filtered passive ventilation can be provided by an exhaust filter for either convection cooling or in combination with a fan in forced air cooling
- Used in combination with thermostats, energy costs are reduced as the fan is only operating when needed

Features

- Available in 115 or 230 volt
- Polyurethane foam gasketed seal on mounting frame
- Shielded and self lubricating ball bearing fans

Application

- Air channeling makes the filter fan particularly quiet in operation
- Durable, reusable filter mat included that can be cleaned up to 10 times by washing, blowing dry and lightly beating
- Replacement of the filter is done from outside of enclosure, without tools
- No tools or hardware required for installing in cut out on enclosure with mounting wall thickness of 0.039" - 0.098", holes also provided in fan frame for screw mounting with wall mounting thickness under 0.039" or over 0.098"
- Available in light gray or black

Exhaust Grille & Filter Features

- Polyurethane foam gasketed seal on mounting frame
- Durable, reusable G3 filter mat included that can be cleaned up to 10 times by washing, blowing dry and lightly beating
- Replacement of the filter is done from outside of enclosure, without tools
- No tools or hardware required for installing in cut out on enclosure with mounting wall thickness of 0.039" - 0.098", holes also provided in grille frame for screw mounting with wall mounting thickness under 0.039" or over 0.098"
- Available in light gray or black



FF1313340CFM115VG

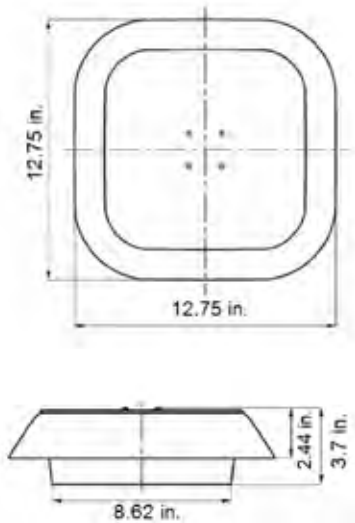


FF6629CFM230VB

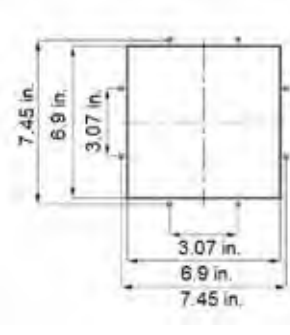


FF SERIES FILTER FANS WITH GRILLE

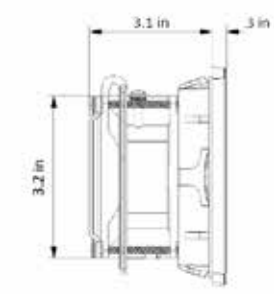
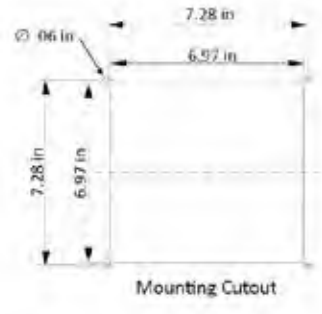
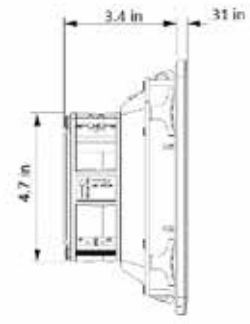
Catalog Number		Voltage	CFM	Temperature Range (Fahrenheit)	Filtering Level DIN 24185	Sound Level	Required Cut out DIM +/- 0.03 (0.76)
Black Grille	Gray Grille						
FF449CFM12VB	FF449CFM12VG	12 VDC	9	14/131	85%	30	3.63x3.63 (92 x 92)
FF449CFM24VB	FF449CFM24VG	24 VDC	9	14/131	85%	30	3.63x3.63 (92 x 92)
FF449CFM115VB	FF449CFM115VG	115 VAC	9	14/131	85%	33	3.63x3.63 (92 x 92)
FF449CFM230VB	FF449CFM230VG	230 VAC	9	14/131	85%	33	3.63x3.63 (92 x 92)
FF4415CFM115VB	FF4415CFM115VG	115 VAC	15	14/131	85%	42	3.63x3.63 (92 x 92)
FF4415CFM230VB	FF4415CFM230VG	230 VAC	15	14/131	85%	42	3.63x3.63 (92 x 92)
FF4429CFM24VB	FF4429CFM24VG	24 VDC	29	14/131	85%	59	3.63x3.63 (92 x 92)
FF6628CFM24VB	FF6628CFM24VG	24 VDC	28	14/131	85%	48	4.95x4.95 (126x126)
FF6628CFM48VB	FF6628CFM48VG	48 VDC	28	14/131	85%	48	4.95x4.95 (126x126)
FF6629CFM115VB	FF6629CFM115VG	115 VAC	29	14/131	85%	49	4.95x4.95 (126x126)
FF6629CFM230VB	FF6629CFM230VG	230 VAC	29	14/131	85%	54	4.95x4.95 (126x126)
FF6650CFM115VB	FF6650CFM115VG	115 VAC	50	14/131	85%	44	4.95x4.95 (126x126)
FF6650CFM230VB	FF6650CFM230VG	230 VAC	50	14/131	85%	44	4.95x4.95 (126x126)
FF8859CFM24VB	FF8859CFM24VG	24 VDC	59	14/131	85%	42	7.00x7.00 (178x178)
FF8865CFM115VB	FF8865CFM115VG	115 VAC	65	14/131	85%	49	7.00x7.00 (178x178)
FF8865CFM230VB	FF8865CFM230VG	230 VAC	65	14/131	85%	54	7.00x7.00 (178x178)
FF8877CFM115VB	FF8877CFM115VG	115 VAC	77	14/131	85%	44	7.00x7.00 (178x178)
FF8877CFM230VB	FF8877CFM230VG	230 VAC	77	14/131	85%	44	7.00x7.00 (178x178)
FF101071CFM115VB	FF101071CFM115VG	115 VAC	71	14/131	85%	49	8.81x8.81 (224x224)
FF101071CFM230VB	FF101071CFM230VG	230 VAC	71	14/131	85%	54	8.81x8.81 (224x224)
FF101082CFM24VB	FF101082CFM24VG	24 VDC	82	14/131	85%	42	8.81x8.81 (224x224)
FF101082CFM48VB	FF101082CFM48VG	48 VDC	82	14/131	85%	43	8.81x8.81 (224x224)
FF1010132CFM24VB	FF1010132CFM24VG	24 VDC	132	14/131	85%	58	8.81x8.81 (224x224)
FF1010132CFM48VB	FF1010132CFM48VG	48 VDC	132	14/131	85%	60	8.81x8.81 (224x224)
FF1010159CFM115VB	FF1010159CFM115VG	115 VAC	159	14/131	85%	50	8.81x8.81 (224x224)
FF1010159CFM230VB	FF1010159CFM230VG	230 VAC	159	14/131	85%	55	8.81x8.81 (224x224)
FF1010159CFM115VB	FF1010159CFM115VG	115 VAC	159	14/131	85%	50	8.81x8.81 (224x224)
FF1313317CFM400VB	FF1313317CFM400VG	400 VAC3	317	14/158	85%	73	11.49x11.49 (292x292)
FF1313340CFM115VB	FF1313340CFM115VG	115 VAC	340	14/131	85%	69	11.49x11.49 (292x292)
FF1313340CFM115VB	FF1313340CFM115VG	115 VAC	340	14/131	85%	69	11.49x11.49 (292x292)
FF1313340CFM230VB	FF1313340CFM230VG	230 VAC	340	14/131	85%	68	11.49x11.49 (292x292)
FF1313547CFM400VB	FF1313547CFM400VG	400 VAC3	547	-13/113	85%	71	11.49x11.49 (292x292)
FF1313547CFM115VB	FF1313547CFM115VG	115 VAC	547	-13/113	85%	72	11.49x11.49 (292x292)
FF1313547CFM230VB	FF1313547CFM230VG	230 VAC	547	-13/113	85%	70	11.49x11.49 (292x292)
TOP MOUNT FILTER FANS - LIGHT GRAY ONLY							
	FFTM288CFM115VG	115 VAC	288	14/131	85%	72	6.89x6.89 (175x175)
	FFTM288CFM230VG	230 VAC	288	14/131	85%	72	6.89x6.89 (175x175)



FFTM288CFM



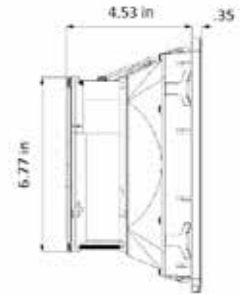
FF8865CFM (115V & 230V)



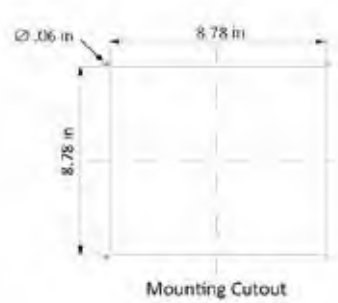
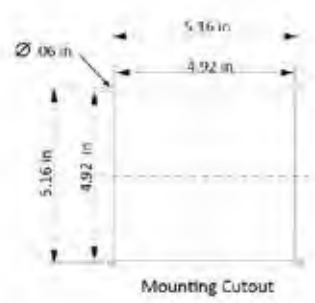
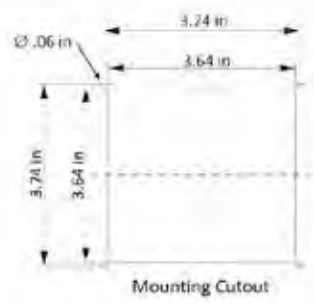
FF4415CFM (115V & 230V)



FF6650CFM (115V & 230V)



FF1010159CFM (115V & 230V)





EG44B



EG88G

Industry Standards

IP43

(IP54 with optional WPFG Series gasket)

FEATURES-SPECIFICATIONS

FF SERIES EXHAUST GRILLE WITH FILTER

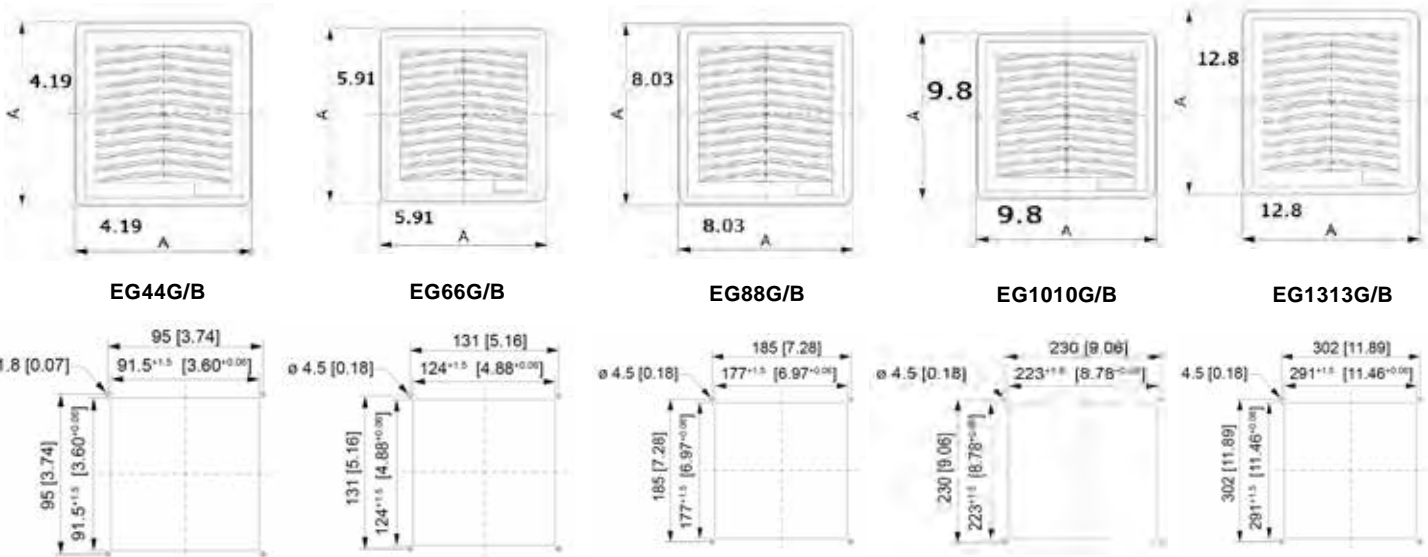
Catalog Number		Filtering Level	Required Cut out DIM +/- 0.03 (0.76)
Black Grille	Gray Grille		
EG44B	EG44G	85%	3.63x3.63 (92 x 92)
EG66B	EG66G	85%	4.95x4.95 (126x126)
EG88B	EG88G	85%	7.00x7.00 (178x178)
EG1010B	EG1010G	85%	8.81x8.81 (224x224)
EG1313B	EG1313G	85%	11.49x11.49 (292x292)

FF SERIES EXHAUST FILTER MATS

Catalog Number		Use With Filter Fan	Use With Exhaust Filter	Filtering Level
G3 Filter	G4 Filter			
FR44G3	—	FF44's	EG44B & EG44G	85%
FR66G3	FR66G4	FF66's	EG66B & EG66G	85%
FR88G3	FR88G4	FF88's	EG88B & EG88G	85%
FR1010G3	FR1010G4	FF1010's	EG1010B & EG1010G	85%
FR1313G3	FR1313G4	FF1313's	EG1313B & EG1313G	85%

Screw Mounting Kit For When Enclosure Wall Mounting Thickness Is Under 0.039" (19 Ga.) Or Over 0.098" (13 Ga.)
Catalog Number = FFSMK
(1 Kit Needed For Each Unit When Required)

Mounting Frame Features: Snap In design requires no tools or hardware for installing from the exterior of the enclosure into the cut out on enclosure with mounting wall thickness of 0.039" - 0.098", holes also provided in frame for screw mounting with wall mounting thickness under 0.039" or over 0.098"



Section N Index

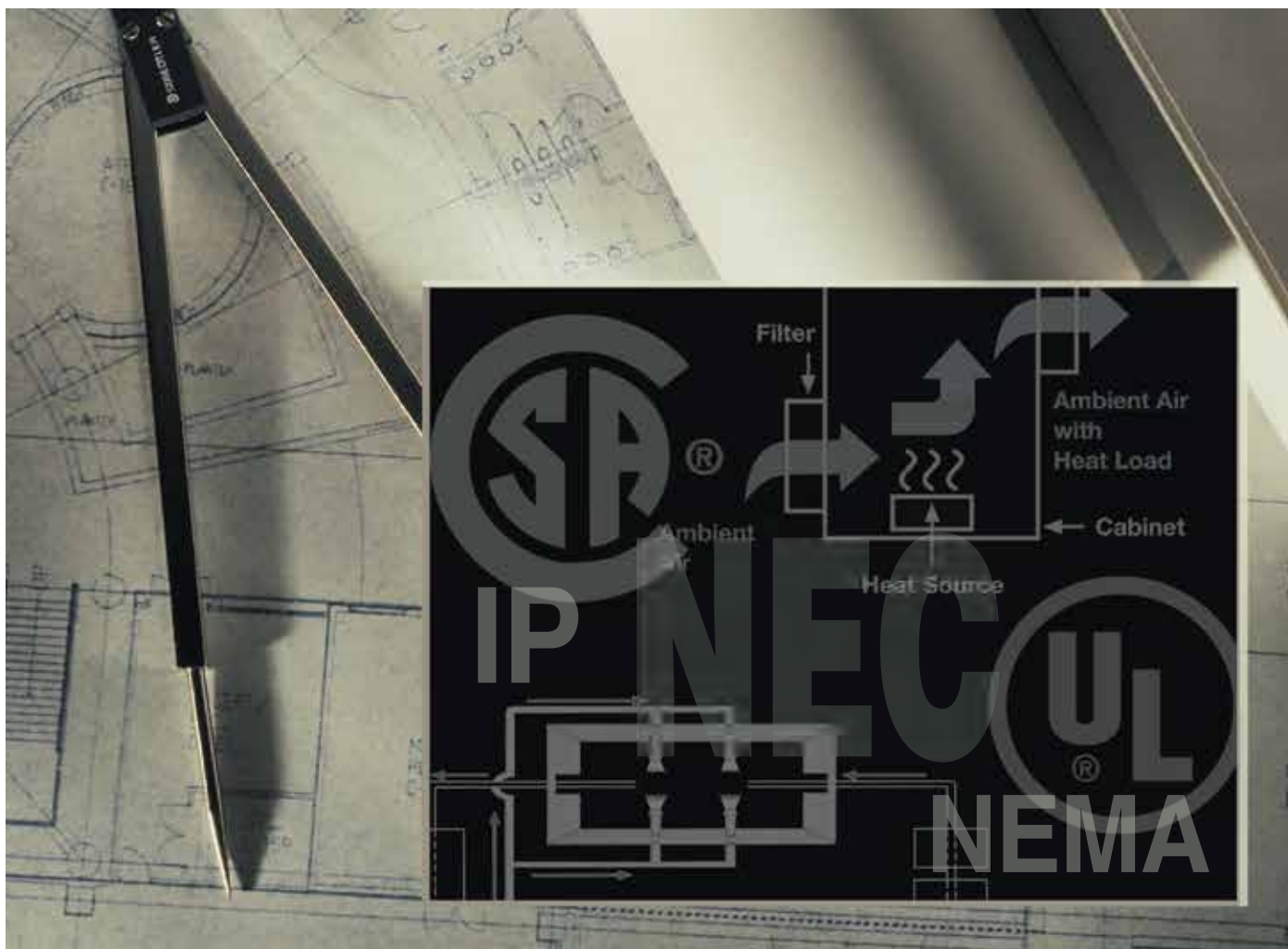
Enclosure Technical Data N2

Special Quotations
Technical Data N9

Environmental Control
Technical Data N10

Enclosure Alterations/
Recommendations N16

TECHNICAL INFORMATION



Industry Definitions

The National Electrical Manufacturers Association (NEMA) is a US Manufacturers Organization which actively promotes standardized product specifications for electrical apparatus. While NEMA does not actually test products, it establishes the performance criteria for enclosures intended for specific environments.

NEMA standards describe each type of enclosure in general and functional terms, and specifically omits reference to construction details. In other words NEMA specifies what an enclosure must do, not how to manufacture it. This is also true about the EN 60.529/IEC 529.

NEMA performance criteria and test methods are used by Underwriters Laboratories (UL) and Canadian Standards Association (CSA) as guidelines for investigation and listing of electrical enclosures.

The tested enclosures are then authorized to carry a label by UL or CSA to prove it has passed the required tests and meets the applicable UL and CSA standard.

NEMA CLASSIFICATIONS**Definitions – Non-Hazardous Locations****Type 1**

Enclosures are intended for indoor use primarily to provide a degree of protection against contact with the enclosed equipment. NEMA Standard 1-10-1979.

Type 2

Enclosures are intended for indoor use primarily to provide a degree of protection against limited amounts of falling water and dirt. NEMA Standard 1-10-1979.

Type 3

Enclosures are intended for outdoor use primarily to provide a degree of protection against windblown dust, rain, sleet, and external ice formation. NEMA Standard 1-10-1979.

Type 3R

Enclosures are intended for outdoor use primarily to provide a degree of protection against falling rain, sleet, and external ice formation. (May be ventilated). NEMA Standard 1-10-1979.

Type 3S

Enclosure are intended for outdoor use primarily to provide a degree of protection against windblown dust, rain, sleet, and to provide for operation of external mechanisms when ice laden. NEMA Standard 1-10-1979.

Type 4

Enclosures are intended for indoor or outdoor use primarily to provide a degree of protection against windblown dust and rain, splashing water, and hose-directed water. NEMA Standard 1-10-1979.

Type 4X

Enclosures are intended for indoor or outdoor use primarily to provide a degree of protection against

corrosion, windblown dust and rain, splashing water, and hose-directed water. NEMA Standard 1-10-1979.

Type 5

Enclosures are intended for indoor use primarily to provide a degree of protection against settling airborne dust, falling dirt, and dripping non-corrosive liquids. NEMA Standard 5-25-1988.

Type 6

Enclosures are intended for indoor or outdoor use primarily to provide a degree of protection against the entry of water during occasional, temporary submersion at a limited depth. NEMA Standard 1-10-1979.

Type 6P

Enclosures are intended for indoor or outdoor use primarily to provide a degree of protection against the entry of water during prolonged submersion at a limited depth. NEMA Standard 1-10-1979.

Type 11

Enclosures are intended for indoor use primarily to provide, by oil submersion, a degree of protection to enclosed equipment against the corrosive effects of liquids and gases. NEMA Standard 1-10-1979.

Type 12

Enclosures are intended for indoor use primarily to provide a degree of protection against dust, falling dirt, and dripping non-corrosive liquids. NEMA Standard 1-10-1979.

Type 12K

Enclosures with knock-outs are intended for indoor use primarily to provide a degree of protection against dust, falling dirt, and dripping non-corrosive liquids other than at knock-outs. NEMA Standard 1-10-1979.

Type 13

Enclosures are intended for indoor use primarily to provide a degree of protection against dust, spraying of water, oil, and non-corrosive coolant. NEMA Standard 1-10-1979.

Definitions – Hazardous Locations**Type 7**

Enclosures are for use indoors in locations classified as Class I, Groups A, B, C, or D, as defined in the National Electrical Code. NEMA Standard 1-10-1979.

Type 8

Enclosures are for indoor or outdoor use in locations classified as Class I, Groups A, B, C, or D, as defined in the National Electrical Code. NEMA Standard 1-10-1979.

Type 9

Enclosures are for indoor use in locations classified as Class II, Groups E, F, or G as defined in the National Electrical Code. NEMA Standard 5-19-1986.

Type 10

Enclosures are constructed to meet the applicable requirements of the Mine Safety and Health Administration. NEMA Standard 1-10-1979.

ENCLOSURE TYPES NON-HAZARDOUS LOCATIONS

Type Designation	National Electrical Manufacturers Association (Nema Standard 250) And Electrical And Electronic Mfg. Association Of Canada (Eemac)	 Underwriters Laboratories Inc. (UL 50 And UL 508)	 Canadian Standards Association (Standard C22.2 No. 94)
1	Enclosures are intended for indoor use primarily to provide a degree of protection against contact with the enclosed equipment or locations where unusual service conditions do not exist.	Indoor use primarily to provide protection against contact with the enclosed equipment and against a limited amount of falling dirt.	General purpose enclosure. Protects against accidental contact with live parts.
2	Enclosures are intended for indoor use primarily to provide a degree of protection against limited amounts of falling water and dirt.	Indoor use to provide a degree of protection against limited amounts of falling water and dirt.	Indoor use to provide a degree of protection against dripping and light splashing of non-corrosive liquids and falling dirt.
3	Enclosures are intended for outdoor use primarily to provide a degree of protection against windblown dust, rain, and sleet; undamaged by the formation of ice on the enclosure.	Outdoor use to provide a degree of protection against windblown dust and windblown rain; undamaged by the formation of ice on the enclosure.	Indoor or outdoor use; provides a degree of protection against rain, snow, and windblown dust; undamaged by the external formation of ice on the enclosure.
3R	Enclosures are intended for outdoor use primarily to provide a degree of protection against falling rain and sleet; undamaged by the formation of ice on the enclosure.	Outdoor use to provide a degree of protection against falling rain; undamaged by the formation of ice on the enclosure.	Indoor or outdoor use; provides a degree of protection against rain and snow; undamaged by the external formation of ice on the enclosure.
4	Enclosures are intended for indoor or outdoor use primarily to provide a degree of protection against windblown dust and rain, splashing water, and hose-directed water; undamaged by the formation of ice on the enclosure.	Either indoor or outdoor use to provide a degree of protection against falling rain, splashing water, and hose-directed water; undamaged by the formation of ice on the enclosure.	Indoor or outdoor use; provides a degree of protection against rain, snow, windblown dust, splashing and hose-directed water; undamaged by the external formation of ice on the enclosure.
4X	Enclosures are intended for indoor or outdoor use primarily to provide a degree of protection against corrosion, windblown dust and rain, splashing water, and hose-directed water; undamaged by the formation of ice on the enclosure.	Either indoor or outdoor use to provide a degree of protection against falling rain, splashing water, and hose-directed water; undamaged by the formation of ice on the enclosure; resists corrosion.	Indoor or outdoor use; provides a degree of protection against rain, snow, windblown dust, splashing and hose-directed water; undamaged by the external formation of ice on the enclosure; resists corrosion.
6	Enclosures are intended for use indoors or outdoors where occasional submersion is encountered.	Indoor or outdoor use to provide a degree of protection against entry of water during temporary submersion at a limited depth; undamaged by the formation of ice on the enclosure.	Indoor or outdoor use; provides a degree of protection against the entry of water during temporary submersion at a limited depth; undamaged by the external formation of ice on the enclosure; resists corrosion.
12	Enclosures are intended for indoor use primarily to provide a degree of protection against dust, falling dirt, and dripping non-corrosive liquids.	Indoor use to provide a degree of protection against dust, dirt, fiber flyings, dripping water, and external condensation of non-corrosive liquids.	Indoor use; provides a degree of protection against circulating dust, lint, fibers, and flyings; dripping and light splashing of non-corrosive liquids; not provided with knockouts.
13	Enclosures are intended for indoor use primarily to provide a degree of protection against dust, spraying of water, oil, and non-corrosive coolant.	Indoor use to provide a degree of protection against lint, dust seepage, external condensation and spraying of water, oil, and non-corrosive liquids.	Indoor use; provides a degree of protection against circulating dust, lint, fibers, and flyings; seepage and spraying of non-corrosive liquids, including oils and coolants.

This material is reproduced from NEMA. The pre-ceding descriptions, however, are not intended to be complete representations of National Electrical Manufacturers Association standards for enclosures nor those of the Electrical and Electronic

This material is reproduced from Underwriters Laboratories Inc. Standard for Safety for Cabinets and Boxes, UL 50, Copyright 1997 and Industrial Control Equipment, UL 508, Copyright 1996 by Underwriters Laboratories Inc.

This material is reproduced from the Canadian Standards Association.

Underwriters Laboratories Inc. (UL) shall not be responsible to anyone for the use of or reliance upon a UL Standard by anyone. UL shall not incur any obligation or liability for damages, including consequential damages, arising out of or connection with the use, interpretation of, or reliance upon a UL Standard.

COMPARISON OF SPECIFIC NON-HAZARDOUS APPLICATIONS INDOOR LOCATIONS

Provides a Degree of Protection Against the Following Environmental Conditions	Type of Enclosure										
	1*	2*	4	4X	5	6	6P	11	12	12K	13
Incidental contact with the enclosed equipment	•	•	•	•	•	•	•	•	•	•	•
Falling dirt	•	•	•	•	•	•	•	•	•	•	•
Falling liquids and light splashing		•	•	•		•	•	•	•	•	•
Dust, lint, fibers, and flyings†			•	•	•	•	•		•	•	•
Hose down and splashing water			•	•		•	•				
Oil and coolant seepage									•	•	•
Oil or coolant spraying and splashing											•
Corrosive agents				•			•	•			
Occasional temporary submersion						•	•				
Occasional prolonged submersion							•				

*These enclosures may be ventilated. However, Type 1 may not provide protection against small particles of falling dirt when ventilation is provided in the enclosure top.

†These fibers and flyings are non-hazardous materials and are not considered Class III type ignitable fibers or combustible flyings. For Class III type ignitable fibers or combustible flyings see the National Electrical Code, Section 500-6(a).

In order to protect the sometimes delicate equipment against foreign objects there are protection standards developed which grade the degree of protection level achieved. It is important to know that there are two such standards for the degree of protection by an enclosure.

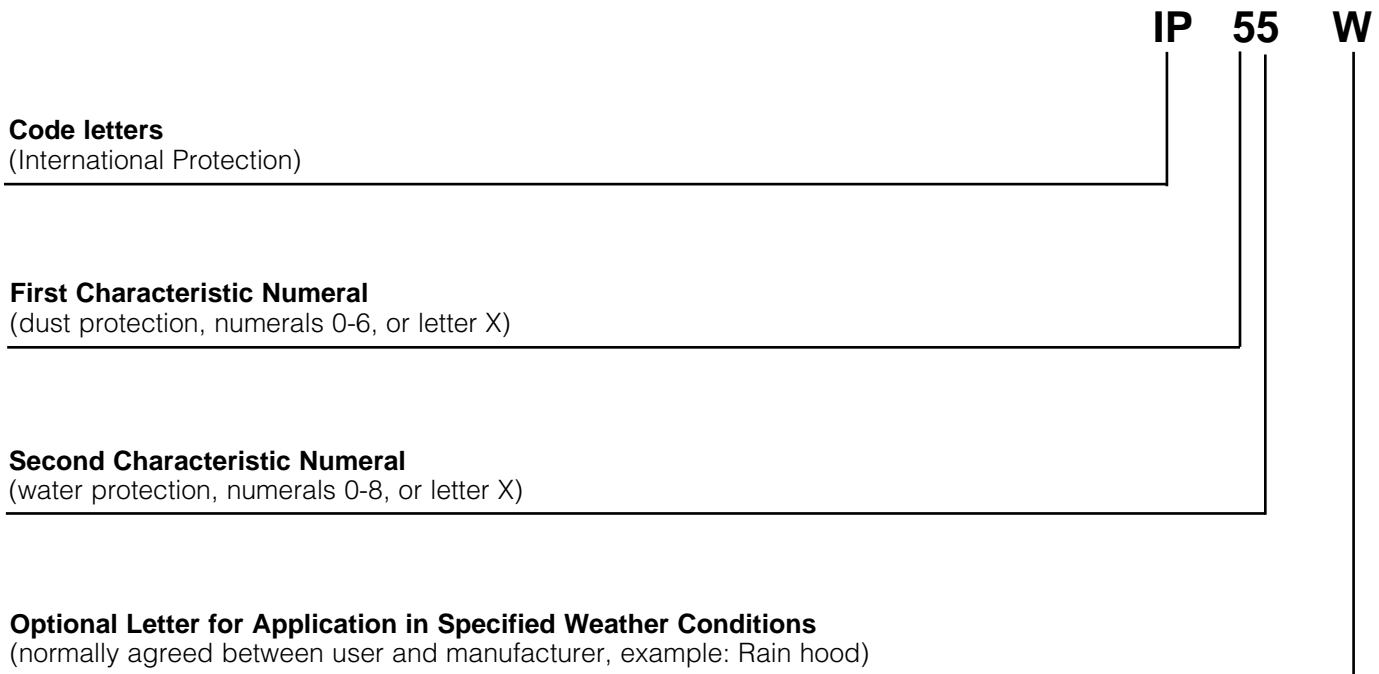
- The European specification: IP-code according to EN 60.529 / IEC 529
- The American specification: TYPE-code according to NEMA 250

The European IP-Code

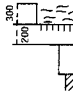
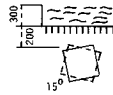
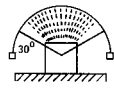
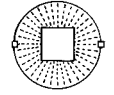
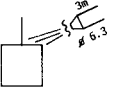
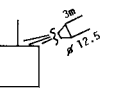
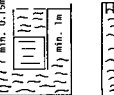

To help the design engineer identify the degree of protection provided by an enclosure, EN60.529/IEC 529 (International Electrotechnical Commission) was introduced. The latest version was issued 11/89. (Correct at date of printing). Both harmonized standards classify the extent to which an enclosure will resist the ingress of solid bodies and water under designated tests.

After successful testing the enclosure will be allocated a classification code with the letters IP (International Protection) prefixing that code.

Further explanation of the degree of protection provided by an enclosure indicated by the IP-code is detailed below:



THE IP SCALE

1st Numeral: Degree Of Protection With Respect To Persons And Solid Objects		2nd Numeral: Degree Of Protection With Respect To Harmful Ingress Of Water							
		0	1	2	3	4	5	6	7
	Non Protected	Protected against dripping water	Protected against dripping water of $\pm 15^\circ$ angle	Protected against dripping water of $\pm 60^\circ$ angle	Protected against splashing water	Protected against water jets	Protected against heavy Seas	Protected against immersion	Protected against submersion
		Test time 10 mins	Test time 10 mins	Test time 10 mins	Test time 10 mins	Test time 1 min/m	Test time 1 min/m	Test time 30 mins	Test time 30 mins
0	Non Protected								
		IP 00	IP 01	IP 02 80kN/m	IP 03 10l./min 80kN/m	IP 04 10l./min 30kN/m	IP 05 12.5l./min 100 kN/m	IP 06 100l./min	
1	Protected against solid objects greater than Dia. 50 mm	IP 10	IP 11	IP 12	IP 13				
2	Protected against solid objects greater than Dia. 12 mm	IP 20	IP 21	IP 22	IP 23				
3	Protected against solid objects greater than Dia. 2.5 mm	IP 30	IP 31	IP 32	IP 33	IP 34			
4	Protected against solid objects greater than Dia. 1.0 mm	IP 40	IP 41	IP 42	IP 43	IP 44	IP 45	IP 46	
5	Dust Protected					IP 54	IP 55	IP 56	
6	Dust Tight						IP 65	IP 66	IP 67 IP 68

NEMA TO IEC – ENCLOSURE RATING CROSS-REFERENCE*

NEMA TYPE	IP23	IP30	IP32	IP55	IP64	IP65	IP66	IP67
1	•		•	•	•	•		
2		•		•	•	•		
3					•	•		
3R			•			•		
4							•	
4X							•	
6								•
12				•	•			
13						•		

**Note: This cross-reference table is an approximation of NEMA and IEC classifications for reference only. Please consult the appropriate agency's requirements and test qualifications for complete information.*

ENCLOSURE METAL SPECIFICATIONS TECHNICAL DATA

N.I.B. GAUGE EQUIVALENTS

Gauge Number	Thickness (Inches)
7 Gauge	.179
8 Gauge	.164
9 Gauge	.150
10 Gauge	.134
11 Gauge	.120
12 Gauge	.105
13 Gauge	.090
14 Gauge	.075
15 Gauge	.067
16 Gauge	.060
17 Gauge	.054
18 Gauge	.048
19 Gauge	.042
20 Gauge	.036
21 Gauge	.033
22 Gauge	.030

*Steel Manufacturers' Standard Gauge
for Sheet Steel (Hot or Cold Rolled)*

NEMA TO IEC – ENCLOSURE RATING CROSS-REFERENCE* DECIMAL & METRIC EQUIVALENTS

4ths	8ths	16ths	32nds	64ths	To 3 Places	To 2 Places	Millimeters
				1/64	.016	.02	0
			1/32		.031	.03	1
				3/64	.047	.05	1
		1/16			.062	.06	2
				5/64	.078	.08	2
			3/32		.094	.09	2
				7/64	.109	.11	3
	1/8				.125	.12	3
				9/64	.141	.14	4
			5/32		.156	.16	4
				11/64	.172	.17	4
		3/16			.188	.19	5
				13/64	.203	.20	5
			7/32		.219	.22	6
				15/64	.234	.23	6
	1/4				.250	.25	6
				17/64	.266	.27	7
			9/32		.281	.28	7
				19/64	.297	.30	8

continued on page N7

NEMA TO IEC – ENCLOSURE RATING CROSS-REFERENCE* DECIMAL & METRIC EQUIVALENTS (CONT.)

4ths	8ths	16ths	32nds	64ths	To 3 Places	To 2 Places	Millimeters
		5/16			.312	.31	8
				21/64	.328	.33	8
			11/32		.344	.34	9
				23/64	.359	.36	9
	3/8				.375	.38	10
				25/64	.391	.39	10
			13/32		.406	.41	10
				27/64	.422	.42	11
	7/16				.438	.44	11
				29/64	.453	.45	12
			15/32		.469	.47	12
				31/64	.484	.48	12
1/2					.500	.50	13
				33/64	.516	.52	13
			17/32		.531	.53	13
				35/64	.547	.55	14
	9/16				.562	.56	14
				37/64	.578	.58	15
			19/32		.594	.59	15
				39/64	.609	.61	15
	5/8				.625	.62	16
				41/64	.641	.64	16
			21/32		.656	.66	17
				43/64	.672	.67	17
		11/16			.688	.69	17
				45/64	.703	.70	18
			23/32		.719	.72	18
				47/64	.734	.73	19
3/4					.750	.75	19
				49/64	.766	.77	19
			25/32		.781	.78	20
				51/64	.797	.80	20
		13/16			.812	.81	21
				53/64	.828	.83	21
			27/32		.844	.84	21
				55/64	.859	.86	22
7/8					.875	.88	22
				57/64	.891	.89	23
			29/32		.906	.91	23
				59/64	.922	.92	23
		15/16			.938	.94	24
				61/64	.953	.95	24
			31/32		.969	.97	25
				63/64	.984	.98	25
1 inch					1.000	1.00	25

LENGTH CONVERSIONS

1mm=0.039 in.	8mm=0.315 in.	60mm=2.362 in.	400mm=15.748 in.
2mm=0.079 in.	9mm=0.354 in.	70mm=2.756 in.	500mm=19.685 in.
3mm=0.118 in.	10mm=0.394 in.	80mm=3.150 in.	600mm=23.622 in.
4mm=0.157 in.	20mm=0.787 in.	90mm=3.543 in.	700mm=27.559 in.
5mm=0.197 in.	30mm=1.181 in.	100mm=3.937 in.	800mm=31.496 in.
6mm=0.236 in.	40mm=1.575 in.	200mm=7.874 in.	900mm=35.433 in.
7mm=0.276 in.	50mm=1.969 in.	300mm=11.811 in.	1000mm=39.370 in.

AREA CONVERSIONS

Imperial To Metric	Metric To Imperial
1 sq. inch=645.16 sq. millimeters	1 sq. millimeter (mm ²)=0.00155 sq. inch
1 sq. inch=6.4516 sq. centimeters	1 sq. centimeter (cm ²)=0.1550 sq. inch
1 sq. foot=929.03 sq. centimeters	1 sq. meter (m ²)=10.7640 sq. feet
1 sq. foot=0.0929 sq. meter	1 sq. meter (m ²)=1.196 sq. yards
1 sq. yard=0.836 sq. meter	

CONVERSIONS

3.0 mm=0.118 ins.	10 gauge=0.1345/0.1225 ins.=3.416 / 3.112 mm
2.5 mm=0.098 ins.	12 gauge=0.1046 / 0.0926 ins.=2.657 / 2.352 mm
2.0 mm=0.079 ins.	14 gauge=0.0747 / 0.0667 ins.=1.897 / 1.694 mm
1.5 mm=0.059 ins.	16 gauge=0.0598 / 0.5928 ins.=1.519 / 1.341 mm

Repainting

For best adhesion results, correct surface preparation before repainting is critical. To avoid discoloration of solvent-based high solids baking enamel, do not bake over 360° F. Always follow instructions provided by your paint manufacturer. Apply thin finish coats. Allow the paint to cure properly for best adhesion and hardness.

Panel Installation

When installing the interior sub-panel, it may be necessary to bend one or more mounting studs (slightly) to permit the panel to slide in place. If this would happen, simply position the panel on the studs that line up properly, and pry the other stud into position with a screwdriver inserted through the panel hole.

Door Closing Adjustments

(Single Door Wall Mount) If the surface on which the enclosure is mounted is not flat, the door may not open and close properly. If heavy equipment is mounted on the door, the door may sag slightly. If the top of door strikes the lip which extends around the body opening, place

metal shims behind the mounting foot which is located at the bottom of the enclosure and closest to the door hinge. Place the shims between the mounting foot and the wall or mounting surface; be sure all mounting bolts are tight!

(Two Door Floor Mounting) The overlapping doors are factory-fitted to meet evenly at the top and bottom. If the floor under the enclosure is not level, the doors will not close evenly. In this case, place metal shims under the corners of the enclosure. The enclosure should be bolted in place with doors closed to prevent tipping when installing shims. Shims under the right front corner will raise the right door. Shims under the left front corner will raise the left door. It is important that the doors meet evenly to insure a proper seal against liquids and dust. Be sure all mounting bolts are tight!

Lifting Enclosures

To lift an enclosure which has eyebolts or mounting feet, be sure to use all the eyebolts or tip mounting feet provided. Arrange your chains and cables with spreader bars, etc., so you are lifting straight up on the eyebolts or top mounting feet.



**Hubbell Wiegmann
Special Quotation Request Form**

- (1) Agent: _____ (2) Contact Person: _____ (3) Date: _____
 (4) Distributor: _____ (5) Location / Acct #: _____ (6) Dist Contact: _____
 (7) Expired Quote #: _____ (8) New Quote: Yes No
 (9) Job Name/End User Info: (Address, Zip Code, Phone #) : _____

Detailed Enclosure Information

- (10) Total Quantity: _____ (11) Per Release: _____
 (12) Style Enclosure / Family: _____
 (13) Modified Special Size: _____
 (14) Material: Carbon Steel 304SS 316SS Galvanized Aluminum
 (15) Nema / UL Listing: N1 N12 N3R N412 N4 X N4X
 (16) Sub Panel Installed: Yes No (17) Sub Panel Quoted Separate: Yes No
 (18) Standard Finish: Yes No (19) Special Paint Color: RAL Number _____

**All Wiegmann colors are powder finish and must be predetermined in RAL format before placing order.
****We cannot quote an enclosure in two or more colors******

Detail Punching Information
Reference Quantity and Size of Holes in Each Location

- | | | | |
|-----------------|-----------------|----------------|-----------------|
| Size/Tap: _____ | Quantity: _____ | Cut-Out: _____ | Quantity: _____ |
| Size/Tap: _____ | Quantity: _____ | Cut-Out: _____ | Quantity: _____ |
| Size/Tap: _____ | Quantity: _____ | Cut-Out: _____ | Quantity: _____ |

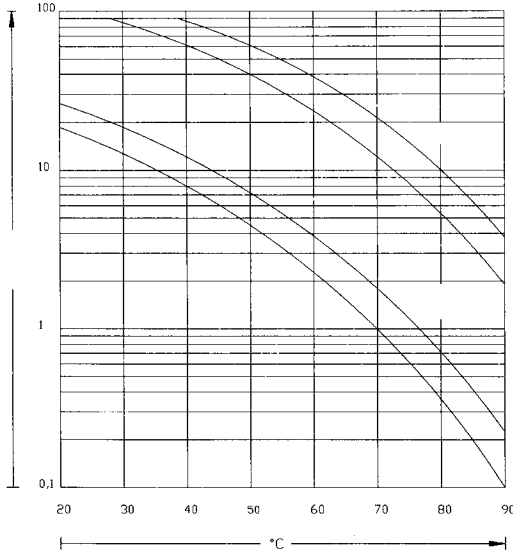
List Drawing Number if Available: _____

Accessories / Notes: _____



Ever since components have been made to control electro-technical tasks, heat loss has been a subject to take into consideration. Sometimes more—sometimes less.

Major problems with heat caused excessive dust accumulation in switchgear equipment because the doors were left open during the summer to allow the equipment to cool down. This can result in fluctuations in temperature. These lead to stress situations that can considerably reduce the service life of electronic components (see chart).



This chart demonstrates the relationship between temperature and service life.

THREE BASIC COOLING METHODS

When selecting a cooling method there are three types to consider:

- 1. Natural Convection** — If there is only a minimal heat gain in your circumstance, use of louvers or grilles with filters can be effective. This method, however, usually provides less cooling effect than is necessary with today's components (Fig. 1, pg. L15).
- 2. Forced Convection Air Cooling** — If the installation will be in a clean, non-hazardous environment with an acceptable ambient (outside the enclosure) temperature range, a simple forced-air cooling system utilizing outside air is usually adequate. Combined with an air filter, such devices generally meet the heat removal needs of typical electronic equipment and many electrical applications (Fig. 2a & 2b, pg. L16). Examples of forced convection air cooling are Filterfans™ and Box Fans.
- 3. Closed-Loop Cooling** — In harsh environments involving high temperatures, wash-down requirements, heavy particulate matter or the presence of chemicals capable of damaging components (NEMA 4 or 12 environments), ambient air must be kept out of the

enclosure. Closed-loop cooling consists of two separate circulation systems. One system seals out the ambient air, cooling and recirculating clean, cool air through-out the enclosure. The second system uses ambient air or water to remove and discharge the heat (Fig. 3, pg. L18). Examples of closed-loop cooling equipment employed with electronics and process controls are air conditioners and heat exchangers.

Heat Abduction by Natural Convection

If the ambient temperature is lower than the temperature inside the switch cabinet, the dissipated heat escapes into the atmosphere through the surface of the switch cabinet. The following simple equation is used to calculate the level of heat radiated from a switch cabinet:

$$PR[W] = c \times A \times DT$$

P_R[Watt]: Radiation Power

Thermal power radiated from the surface area of the switch cabinet into the ambience or radiated from the ambience into the switch cabinet.

C[W/m²K]: Coefficient of heat transmission

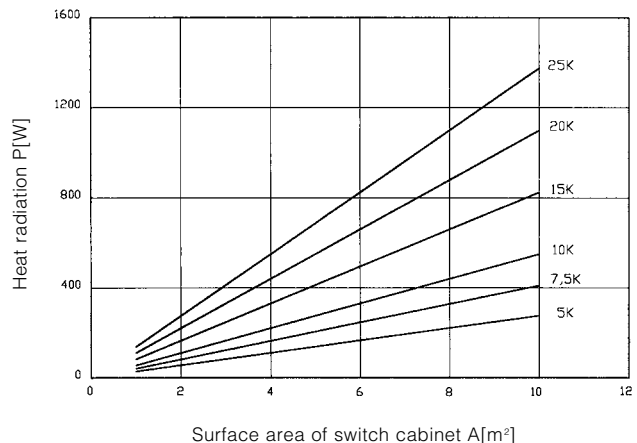
Radiation power per 1m² surface area and 1K difference in temperature. This constant is determined by the material:

Sheet steel	-5.5 W/m ² K
Stainless steel	-3.7 W/m ² K
Aluminum	-12.0 W/m ² K
Plastic	-0.2 W/m ² K

A[m²]: Surface area of switch cabinet

Effective surface area of a switch cabinet measured according to the specifications of VDE0660, Part 506.

ΔT[K]: Difference in temperature between the ambience and inside the switch cabinet



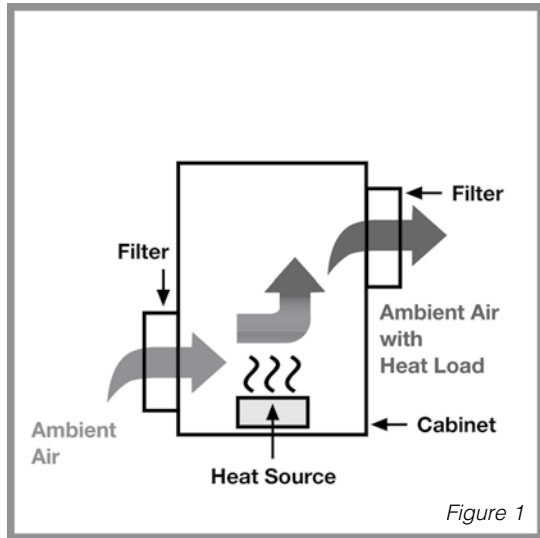


Figure 1

Heat Abduction with Filterfans™

Follow the simple equation for calculating the required air flow volume:

$$V = \frac{3.1(Pd)}{\Delta T} [m_3/h]$$

V[m3/h]: Flow volume for a filter fan

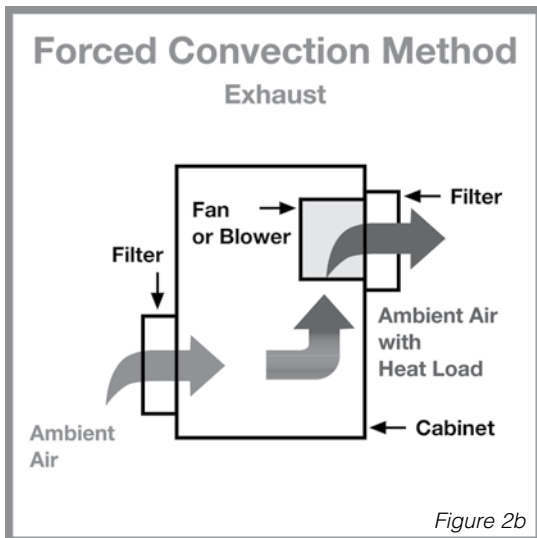
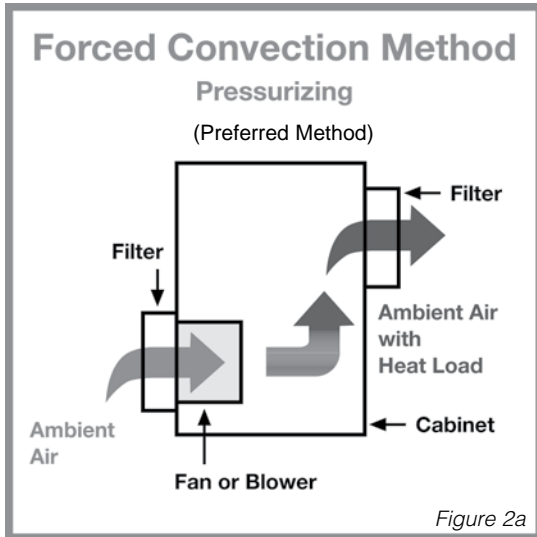
Pd[Watt]: Dissipation loss
Thermal power generated inside a switch cabinet by dissipation loss from components.

A[m2]: Difference in temperature between the ambience and inside the switch cabinet

In the course of development, absolute priority was given to the use of high-quality components (plastic material, fan, filter mat) and comprehensive transparent technical data. For this purpose we measured every Filterfan™ and exhaust filter in a test laboratory.

When considering the use of Filterfans™ :

- Always use the Filterfan™ to propel the cool ambient air into the switch cabinet. This ensures that slight positive pressure builds up inside the switch cabinet in comparison to the ambience and that only air filtered by the Filterfan™ flows into the switch cabinet. The air propelled into the cabinet displaces the warm air which exits through the exhaust filter. If, however, the air is drawn out of the switch cabinet by suction power, unfiltered air can also enter through gaps and components
- If you install a combination of Filterfan™ /exhaust filter, fit the Filterfan™ in the lower third of the switch cabinet if possible. The exhaust filter must be installed as near to the top as possible to prevent heat pockets in the upper part of the cabinet
- In switch cabinets consisting of several compartments, the cool air capacity required should be divided among two or more Filterfans™ /exhaust fans. This measure helps to ensure a more acceptable distribution of temperature throughout the cabinet
- If you combine a Filterfan™ with two exhaust filters, the cool air divides into “Y” shape. In this way, with just one additional exhaust filter you can considerably improve the circulation inside the switch cabinet
- Install a thermostat that only trips the Filterfan™ when the temperature is too high. This can quite substantially increase the service life of your filter mat



Steps for sizing an air conditioner — Proper selection of an air conditioner is determined by the following criteria:

- Required cooling capacity in BTUs/hr (steps 1-4)
- Mounting requirements (top or side mounting options)
- Dimensions of air conditioner and enclosure

Step One

1 Watt = 3.413 BTU/HR.
Determine the internal heat load in Watts that must be dissipated.

Step Two

1 m² = 11.76 ft²
Calculate the exposed surface area of the enclosure: 2[(h x w) + (h x d) + (w x d)] ÷ 144 = Area (ft²).

Step Three

1°C or 1°KΔT = 1.8°F T
Determine the temperature differential by subtracting the maximum allowable temperature inside the enclosure (Ti) from the maximum ambient temperature outside the enclosure (To).
To - Ti = ΔT

Step Four

[Watts ÷ ΔT (F°)] - [0.22 x Area (ft²)] = Watts/F°
Capacity Required BTU/HR. Capacity Rating

Heat Abduction with a Cooling Unit

Pfannenberg air/refrigerant cooling units operate on the principle of the Carnot cycle. This means that the cooling unit functions as a heat pump that “pumps” the thermal energy abducted from the switch cabinet (heat dissipated from the components) up to a higher level of temperature (the ambient temperature can reach levels as high as +131°F). The air inside the switch cabinet is cooled down by the evaporator and is at the same time dehumidified.

Cooling units are used if:

- The outside air cannot be used for cooling
- The required temperature inside the switch cabinet should be equal to or lower than the required ambient temperature
- The ambient air is extremely oily or rife with conductive dust

Selecting cooling units

- Ascertain the total dissipation loss from the components installed in the switch cabinet. Take into account the simultaneity factor, because rarely are all components in operation at the same time
- Also take the heat radiation from the switch cabinet into account. If $T_i < T_a$, this must also be added to the dissipation loss value
- Now select the necessary cooling unit in accordance with the required refrigeration capacity, ensuring that the cooling capacity of the cooling unit is at least equal to the dissipation loss value. Preferable is a figure 10% in excess of that value

Utilizing characteristic curves for proper selection of a cooling unit

Characteristic curves for all cooling units are available for contacting us. These diagrams allow you to determine the corresponding effective (useful) refrigeration capacity for any temperature. All relevant data for our cooling units result from tests in Pfannenbergs's own climatic chamber.

Example:

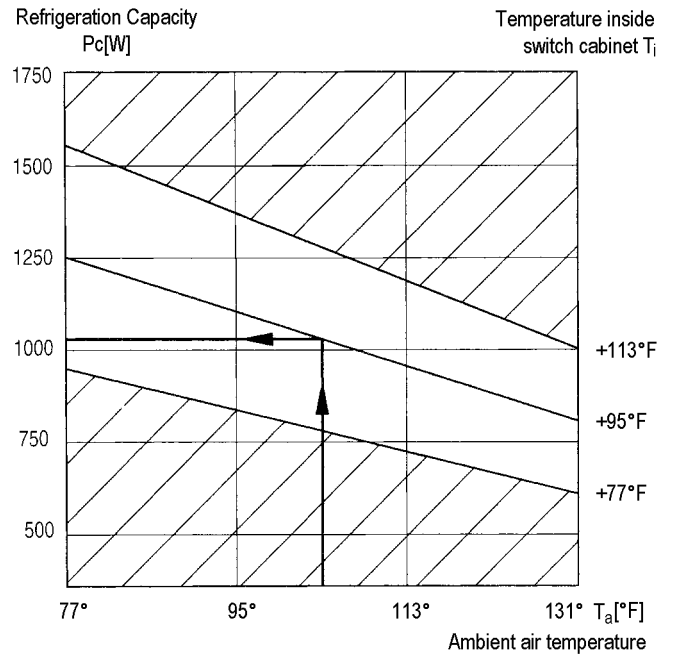
$T_a = 104^\circ\text{F}$ and $T_i = 95^\circ\text{F}$, where

T_i [°F]: Maximum admissible temperature inside the switch cabinet. This value reflects the maximum operating temperature of components installed in the switch cabinet. This usually ranges from approx. 95°F to 113°F .

T_a [°F]: Maximum ambient temperature. Temperature at which the switch cabinet is installed.

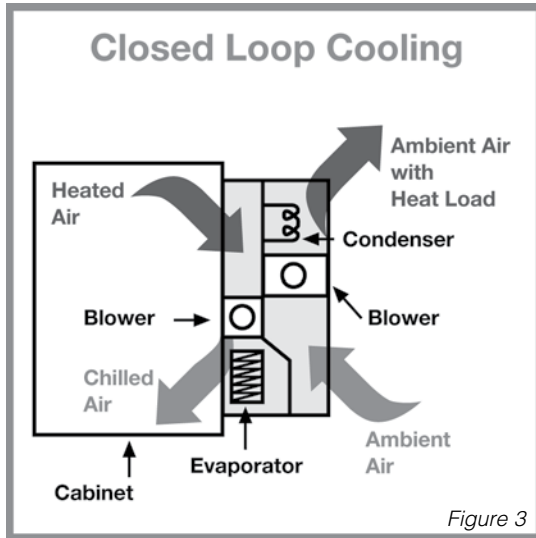
P_c [Watt]: Refrigeration capacity of a cooling unit. Only the effective or useful cooling capacity is shown.

Go to the known ambient temperature ($T_a = 104^\circ\text{F}$) and trace a vertical line up to the intersection with 95°F line. Then trace a horizontal line left of that intersection until it meets with the ordinate (vertical axis). This point shows the refrigeration capacity required. In this example, the following diagram shows that the value is 1040W.



Important information on the utilization of cooling units

- The refrigeration capacity should exceed the dissipation loss from the installed components by approximately ten percent (10%)
- The switch cabinet must be adequately sealed to prevent the inflow of ambient air
- Use the door contact switch to impede operation with open doors and consequent excessive accumulation of condensation
- Use cooling units with a generous clearance between air inflow and air outflow to prevent poor circulation
- Attach the condensate overflow hose included in the package of accessories supplied with the unit
- Make sure that the air inflow and air outflow in the external circuit of the cooling unit circulates satisfactorily to ensure that the thermal energy is released into the ambience
- When using top-mounted cooling units, make sure that components with their own fans do not expel the air directly into the cooling unit's cool air outflow. This counteraction between the two airflows would otherwise substantially reduce the refrigeration capacity and could cause heat pockets.
- Make sure that the switch cabinet stands up straight. Otherwise the condensation cannot drain properly from the top-mounted unit
- Setting the temperature to the lowest setting is not the optimal solution due to condensation issues. The value we have preset on the cooling unit is a sound compromise between cooling the inside of the switch cabinet and the accumulation of condensation



Cooling Control Cabinets

Most electrical & electronic control systems generate substantial amounts of heat during operation. This heat factor intensifies as controls are made more compact, perform more functions, or are placed in more confined areas. Additional problems are encountered when the electronic process control system is located on-site in an industrial setting, as opposed to a clean computer room. For instance, ambient temperatures found in a steel mill can be locally very high. The factory environment can be hostile to the point that performance and effective life of electronic components are materially reduced, or the control system fails completely. Moisture-laden air and airborne particulate matter might be present to adversely affect electronic components, as is true in the paper manufacturing industry or in grain storage facilities.

Our air conditioners are designed to perform reliably under many of these harsh conditions and to provide the cooling and environmental protection required by sensitive electronic production control systems.

Factors affecting model selection

Use this section as a basic outline or checklist of the various conditions to be considered when choosing a cooling unit for a certain application.

The following three factors must be considered when selecting a cooling unit:

1. Internal Heat Load

This is the heat dissipated by electronic controls. It is expressed in watts. One watt equals 3.413 BTU/hr. Thus, to obtain the approximate cooling capacity required to remove a specific heat load, the following formula can be used:

$$\text{Watts} \times 3.413 = \text{BTU/hr}$$

For example, a heat load of 800 watts requires an air conditioner capable of removing at least 2,730 BTU/hr

2. Resistance to air flow in the enclosure

Air-flow is measured in cubic feet per minute (CFM). Creating appropriate air flow requires that air pressure be produced by a blower within the air conditioning enclosure. Resistance to blower-produced air flow is created by obstructions within the cabinet's air-flow path. This resistance is called static pressure (SP) and is measured in inches of water column.

The effect of significant resistance in the cabinet's air flow due to static pressure is that it produces a drop in air pressure, or differential, from the air velocity produced by the blower. This reduction in cool air flow will decrease the effective capacity of the cooling unit. So when selecting the proper cooling unit, allowances must be made for static pressure.

3. Heat Load From the Surroundings

Ambient conditions can cause a heat gain in the enclosure. The rated capacity of the cooling unit must be sufficient to handle this heat gain. When evaluating the additional heat load gained from the surroundings, consider the following:

Insulated Cabinet — Normally, well-insulated cabinets will not gain sufficient ambient heat to affect an air conditioner's operation. BTU/hr ratings for our air conditioners have been established at the maximum ambient operating temperature of 125°F. A substantial improvement in heat removal occurs when operating in ambient temperatures below 125°F.

Uninsulated Cabinets (most common) — Obviously, this design places more of a burden on the cooling unit. Heat is conducted to the cool side. Thus, high ambient heat will be readily transmitted into the cooler enclosure. To determine the additional capacity required of our air conditioner installed in an uninsulated cabinet, the surface square footage of the enclosure must be calculated to obtain the total effective heat transfer area. For this calculation, use the surface area of the sides, plus the area of the top, and omit the bottom area of the cabinet.

Air movement outside the uninsulated cabinet will increase the heat conducted from the ambient into the enclosure. When there is little or no air circulation outside the cabinet, the layer of air immediately adjacent to the exterior cabinet walls act as an insulating film. Exterior air movement dissipates this insulating layer of air in proportion to the velocity of the air flow. Substantial ambient air circulation will increase the transmitted heat load imposed on the cooling unit. If the cabinet being cooled is not airtight, then high ambient relative humidity will adversely affect the cooling effectiveness of the air conditioner. When humid air infiltrates a poorly sealed enclosure, the air conditioner is required to use up valuable BTU/hr capacity just to condense the moisture from the internal air. Conversely, if the cabinet is well sealed, high ambient relative humidity has very little effect on the heat capacity of the air conditioner.

Why Use a Heater?

Hubbell Wiegmann heater products protect electronic and electrical components from temperature problems that are below acceptable tolerances. There are obvious circumstances when extremely low ambient (outside the enclosure) temperatures would require a heater, but there are also less apparent times that a heater should be considered. For example, a system may run all day having its components generate heat, but once the system shuts down for the night, the quick drop in temperature could cause condensation and possible corrosion — a heater could be used to maintain a safe and constant temperature.

Heater Sizing

Formula for sizing Hubbell Wiegmann enclosure heating products:

$$P_H = (\Delta T \times k \times A) - P_v$$

Variables:

P_H = Total power required in Watts for application.

ΔT = Difference between the minimum required enclosure interior temperature and the lowest possible exterior temperature, in degrees Kelvin. "DT" can be calculated using the following formula:

$$\frac{(IT) - (ET)}{1.8} = \Delta T \text{ in } ^\circ\text{Kelvin}$$

(IT) – Minimum required enclosure interior temperature [°F]

(ET) – Lowest possible exterior temperature [°F]

k = Heat transmission coefficient convection of enclosure material in quiet air.

Painted Steel	0.511 W/(ft ² °K)
Stainless Steel	0.344 W/(ft ² °K)
Aluminum	1.115 W/(ft ² °K)
Plastic (or insulated stainless)	0.325 W/(ft ² °K)

A = Enclosure surface area in ft.² "A" can be calculated by using the following formula (assuming a wall-mounted enclosure):

$$1((H/12) \times (W/12)) + 2((W/12) \times (D/12)) + 2((H/12) \times (D/12)) = A \text{ in ft.}^2$$

H = Height of enclosure (in inches)

W = Width of enclosure (in inches)

D = Depth of enclosure (in inches)

P_v = Existing power from installed components (Watts).

Sample with solution:

Required sizing information:

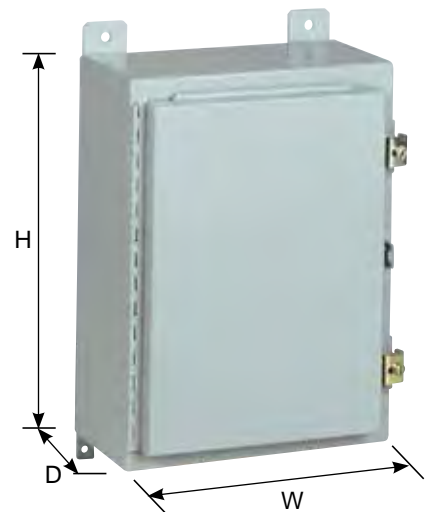
- Wiegmann Painted Steel Enclosure = N12161206 (H = 16", W = 12", D = 6")
- Minimum required enclosure interior temperature in Fahrenheit=50°F (IT)
- Lowest possible exterior temperature in Fahrenheit = -30°F (ET)
- Existing components generating 50 Watts (P_v)

$$\Delta T = \frac{(50) - (-30)}{1.8} = 44.44$$

$$k = 0.51$$

$$A = 2((16/12) \times (12/12)) + 2((12/12) \times (6/12)) + 2((16/12) \times (6/12)) = 4.99$$

$$P_H = (44.44 \times 0.51 \times 4.99) - 50 = \mathbf{63 \text{ Watts}}$$
 needed to heat the enclosure



Hubbell-Wiegmann cannot assure the safety or effectiveness of any alterations or additions not made by Wiegmann. However, the following information may be helpful. These instructions do not eliminate the need to consult with equipment manufacturers and to observe all regulatory agency procedures and safe practices to assure the proper electrical and mechanical function of Hubbell-Wiegmann products in each particular application.

1 PREPPING CUTOUT AND PUNCHED HOLES

- a. All cutouts and punching of holes must be free of burrs and sanded smooth for proper fit of accessories.
- b. All holes / bare metal must be painted to prevent rusting of the steel, ensure the U.L. rating of the enclosure, and to maintain the integrity of the enclosure finish.

2 REPAINTING

Contact Hubbell- Wiegmann for the proper replacement, touch up paint.

3 MOUNTING INSTRUCTIONS

- a. Wall mounted enclosures have either an internal mounting means or external mounting feet. Proper fasteners must be used in all mounting holes to secure the enclosure to the wall.
- b. Floor mounted enclosures have floor stands (legs) which include mounting plates. Proper fasteners must be used in all mounting holes to securely anchor the enclosure to the floor.

4 DOOR CLOSING ADJUSTMENTS

- a. Single door (wall mounted)
If the surface on which the enclosure is mounted is not flat, the door may not open and close properly. Also, if heavy equipment is mounted on a large door, the door may sag slightly.
If the top of the door strikes the lip which extends around the body opening, place metal shims behind the mounting foot which is located at the bottom of the enclosure and closest to the door hinge. Place the shims between the mounting foot and the wall or mounting surface. Be sure all mounting screws are tightened securely.
- b. Two door (floor mounted)
The overlapping doors are factory-fitted to meet evenly at the top and bottom. If the floor under the enclosure is not level, the doors will not close evenly. In this case, place metal shims under the corners of the enclosure. The enclosure should be bolted in place with the doors closed to prevent tipping when installing shims.
Shims under the right front corner will raise the right door. Shims under the left front corner will raise the left door. It is important that the doors meet evenly to insure a proper seal against liquids and dust. Be sure all mounting bolts are tightened securely.

5 PANEL INSTALLATION

When the interior panel is being installed, it may be necessary to bend one or more mounting studs slightly to permit the panel to fit in place. Simply position the panel on the studs that line up properly and pry the other studs into position with a suitable screwdriver inserted through the panel holes.

4 REMOVING HINGE PINS FROM CONTINUOUS HINGES

This can be a difficult operation requiring one or more people. This procedure is best accomplished by using a small diameter punch to drive the hinge pin toward the bottom of the enclosure. Lay the wall-mounted and floor-mounted or free-standing enclosure on its back side (see note 7 below). When the hinge pin protrudes about two inches below the bottom hinge barrel, bend the end of the pin 180° so it is shaped like the letter "J". Use an electric or air powered vibrating hammer fitted with a tool which has a hole in the end to fit over the hinge pin, and drive the hinge pin out while opening and closing the door.

To install the hinge pin, straighten the pin and drive it in with the vibrating hammer while opening and closing the door. Most hinge pins have one end chamfered, so be sure to start the chamfered end first when installing the pin.

7 PRINT POCKET

The print pocket on the door can be mounted in any location or position using the self adhesive strip, or removed entirely.

8 LIFTING ENCLOSURES BY EYEBOLTS

To lift an enclosure which has eyebolts or mounting feet, be sure to use all the eyebolts and top mounting feet provided. Arrange the chains and cables with spreader bars so you are lifting straight up on the eyebolts or top mounting feet.

Eyebolts are used for lifting, shipping, and moving purposes. It is the customer's responsibility to ensure that lifting eyes are tightened to maintain proper seal/NEMA/and UL rating (factory installed rubber washers must be used)

PART NUMBER	PAGE	PART NUMBER	PAGE	PART NUMBER	PAGE	PART NUMBER	PAGE
A040503.....	A6	ABN12483816.....	G23	B040404SC.....	C11	B141206.....	C3
A040604.....	A6	ABN12603710.....	G23	B060403.....	C2	B1412065CHFTC.....	C15
A060603.....	A6	ABN12603812.....	G23	B060403CH.....	C4	B141206CH.....	C5
A060604.....	A6	ABN12603812A.....	G23	B060403CHQR.....	C8	B141206CHQR.....	C8
A060606.....	A6	ABN12603816.....	G23	B060403SC.....	C11	B141206CHS.....	C5
A060804.....	A6	AF0202.....	H3	B060404.....	C2	B141206SC.....	C11
A080804.....	A6	AF0202G.....	H3	B0604045CHFTC.....	C15	B141208CH.....	C5
A080806.....	A6	AF0404.....	H3	B060404CH.....	C4	B161006CH.....	C5
A081004.....	A6	AF0404G.....	H3	B060404SC.....	C11	B161406.....	C3
A081006.....	A6	AF0606.....	H3	B060604.....	C2	B1614065CHFTC.....	C15
A081204.....	A6	AF0606G.....	H3	B0606045CHFTC.....	C15	B161406CH.....	C5
A101004.....	A6	AF0808.....	H3	B060604CH.....	C4	B161406CHQR.....	C8
A101006.....	A6	AF0808G.....	H3	B060604CHQR.....	C8	B161406CHS.....	C5
A101204.....	A6	AF1010.....	H3	B060604SC.....	C11	B161406SC.....	C11
A101206.....	A6	AF1010G.....	H3	B080603.....	C2	B161408CH.....	C5
A121204.....	A6	AF1212.....	H3	B080603CH.....	C4	B161410CH.....	C5
A121206.....	A6	AF1212G.....	H3	B080603CHQR.....	C8	B201607CH.....	C6
A121504.....	A6	ALN4161206.....	E36	B080603SC.....	C11	B201609CH.....	C6
A121604.....	A6	ALN4161608.....	E36	B0806045CHFTC.....	C15	B202007CH.....	C6
A121606.....	A6	ALN4201606.....	E36	B080606.....	C2	B202009CH.....	C6
A121804.....	A6	ALN4201610.....	E36	B080606CH.....	C4	B242007CH.....	C6
A121806.....	A6	ALN4202006.....	E36	B080606SC.....	C11	B242009CH.....	C6
A151506.....	A6	ALN4242006.....	E36	B080804.....	C2	B242407CH.....	C6
A151804.....	A6	ALN4242010.....	E36	B080804CH.....	C4	B242409CH.....	C6
A161606.....	A6	ALN4242408.....	E36	B080804SC.....	C11	B242411CH.....	C7
A181806.....	A6	ALN4242410.....	E36	B100804.....	C3	B302007CH.....	C6
A182406.....	A6	ALN4302408.....	E36	B1008045CHFTC.....	C15	B302009CH.....	C6
A242406.....	A6	ALN4302412.....	E36	B100804CH.....	C4	B302409CH.....	C7
A243006.....	A6	ALN4362408.....	E36	B100804CHQR.....	C8	B302413CH.....	C7
A243606.....	A6	ALN4363008.....	E36	B100804CHS.....	C4	B362407CH.....	C6
A243608.....	A6	ALN4363012.....	E36	B100804SC.....	C11	B362409CH.....	C7
ABN12242108.....	G23	ALN4483608.....	E36	B100806.....	C3	B362411CH.....	C7
ABN12242110.....	G23	ALN4603612.....	E36	B100806CH.....	C4	B363009CH.....	C7
ABN12242508.....	G23	ALNP1612.....	E36	B100806SC.....	C11	B363013CH.....	C7
ABN12242510.....	G23	ALNP1616.....	E36	B101004SC.....	C11	B423609CH.....	C7
ABN12302108.....	G23	ALNP2016.....	E36	B101006CH.....	C5	B483611CH.....	C7
ABN12302110.....	G23	ALNP2020.....	E36	B101006SC.....	C11	BH0202.....	H3
ABN12302508.....	G23	ALNP2420.....	E36	B120604CH.....	C5	BH0202G.....	H3
ABN12362508.....	G23	ALNP2424.....	E36	B121005.....	C3	BH0404.....	H3
ABN12362510.....	G23	ALNP3024.....	E36	B1210055CHFTC.....	C15	BH0404G.....	H3
ABN12363108.....	G23	ALNP3624.....	E36	B121005CH.....	C5	BH0606.....	H3
ABN12363110.....	G23	ALNP3630.....	E36	B121005CHQR.....	C8	BH0606G.....	H3
ABN12363212.....	G23	ALNP4836.....	E36	B121005CHS.....	C5	BH0808.....	H3
ABN12423108.....	G23	ALNP6036.....	E36	B121005SC.....	C11	BH0808G.....	H3
ABN12423110.....	G23	B040403.....	C2	B121008CH.....	C5	BH1010.....	H3
ABN12423212.....	G23	B040403CH.....	C4	B121206.....	C3	BH1010G.....	H3
ABN12483710.....	G23	B040403SC.....	C11	B121206CH.....	C5	BH1212.....	H3
ABN12483812.....	G23	B040404.....	C2	B121206SC.....	C11	BH1212G.....	H3
ABN12483812A.....	G23	B040404CH.....	C4	B140806CH.....	C5	BN4040403.....	D2

PART NUMBER	PAGE	PART NUMBER	PAGE	PART NUMBER	PAGE	PART NUMBER	PAGE
BN4040403CH.....	D4	BN4121005CH.....	D4	BN4161406CHSSA.....	E10	D3RFN.....	J9
BN4040403SS.....	E8	BN4121005CHAL.....	E16	BN4161406SS.....	E8	D48CVP.....	J8
BN4040403SSA.....	E8	BN4121005SS.....	E8	BN4161406SSA.....	E8	D48CVPK3N4C5DP38.....	J8
BN4060403.....	D2	BN4121005SSA.....	E8	BN4161408CHQT.....	D6	D48CVPK3N4C5DP38SS.....	J8
BN4060403AL.....	E14	BN4121006CHQT.....	D6	BN4161408CHQTSS.....	E12	D48CVPKN34C3DP24.....	J8
BN4060403CH.....	D4	BN4121006CHQTSS.....	E12	BN4161408CHQTSSA.....	E12	D48CVPKN34C3DP24SS.....	J8
BN4060403SS.....	E8	BN4121006CHQTSSA.....	E12	C0202.....	H3	D48CVPKNHX32.....	J8
BN4060403SSA.....	E8	BN4121006CHSS.....	E10	C0202G.....	H3	D48CVPKNHX32SS.....	J8
BN4060404CHSS.....	E10	BN4121006CHSSA.....	E10	C0404.....	H3	D48CVPSS.....	J8
BN4060404CHSSA.....	E10	BN4121008CHQT.....	D6	C0404G.....	H3	D48WHD.....	J9
BN4060604.....	D2	BN4121008CHQTSS.....	E12	C0606.....	H3	D52CVP.....	J8
BN4060604AL.....	E14	BN4121008CHQTSSA.....	E12	C0606G.....	H3	D52CVPK36C14DP50.....	J8
BN4060604CH.....	D4	BN4121010CHQT.....	D6	C0808.....	H3	D52CVPK36C14DP50SS.....	J8
BN4060604CHAL.....	E16	BN4121010CHQTSS.....	E12	C0808G.....	H3	D52CVPK3N4C5DP38.....	J8
BN4060604CHQT.....	D6	BN4121010CHQTSSA.....	E12	C1010.....	H3	D52CVPK3N4C5DP38SS.....	J8
BN4060604CHQTSS.....	E12	BN4121206CH.....	D4	C1010G.....	H3	D52CVPKN34C3DP24.....	J8
BN4060604CHQTSSA.....	E12	BN4121206CHQT.....	D6	C1212.....	H3	D52CVPKN34C3DP24SS.....	J8
BN4060604CHSS.....	E10	BN4121206CHQTSS.....	E12	C1212G.....	H3	D52CVPKNHX32.....	J8
BN4060604CHSSA.....	E10	BN4121206CHQTSSA.....	E12	CDS138.....	L19	D52CVPKNHX32SS.....	J8
BN4060604SS.....	E8	BN4121206CHSS.....	E10	CSLF.....	L19	D52CVPKNHX38.....	J8
BN4060604SSA.....	E8	BN4121206CHSSA.....	E10	CSLM.....	L19	D52CVPKNHX38SS.....	J8
BN4080603.....	D2	BN4121208CHQT.....	D6	CTDD302410.....	B14	D52CVPKNHX47.....	J8
BN4080603AL.....	E14	BN4121208CHQTSS.....	E12	CTDD303012.....	B14	D52CVPKNHX47SS.....	J8
BN4080603CH.....	D4	BN4121208CHQTSSA.....	E12	CTDD303612.....	B14	D52CVPSS.....	J8
BN4080603CHAL.....	E16	BN4121210CHQT.....	D6	CTDD362412.....	B14	D52WHD.....	J9
BN4080603CHQT.....	D6	BN4121210CHQTSS.....	E12	CTDD363012.....	B14	DCCSLW19.....	L19
BN4080603CHQTSS.....	E12	BN4121210CHQTSSA.....	E12	CTDD363212.....	B14	DCCSLW39.....	L19
BN4080603CHQTSSA.....	E12	BN4141206.....	D2	CTDD363612.....	B14	DF36CVP.....	J6
BN4080603CHSS.....	E10	BN4141206AL.....	E14	CTDD363616.....	B14	DF36CVPF2.....	J6
BN4080603CHSSA.....	E10	BN4141206CH.....	D4	CTDD424212.....	B14	DF36CVPF2SS.....	J6
BN4080604SS.....	E8	BN4141206CHAL.....	E16	CTDD443012.....	B14	DF36CVPSS.....	J6
BN4080604SSA.....	E8	BN4141206CHQT.....	D6	CTDD484812.....	B14	DF48CVP.....	J6
BN4100804.....	D2	BN4141206CHQTSS.....	E12	CTDD484816.....	B14	DF48CVPF2.....	J6
BN4100804AL.....	E14	BN4141206CHQTSSA.....	E12	CTSD121810.....	B13	DF48CVPF2SS.....	J6
BN4100804CH.....	D4	BN4141206CHSS.....	E10	CTSD182410.....	B13	DF48CVPF3.....	J6
BN4100804CHAL.....	E16	BN4141206CHSSA.....	E10	CTSD202010.....	B13	DF48CVPF3SS.....	J6
BN4100804CHQT.....	D6	BN4141206SS.....	E8	CTSD202412.....	B13	DF48CVPF4.....	J6
BN4100804CHQTSS.....	E12	BN4141206SSA.....	E8	CTSD242412.....	B13	DF48CVPF4SS.....	J6
BN4100804CHQTSSA.....	E12	BN4141208CHQT.....	D6	CTSD243012.....	B13	DF48CVPF5.....	J6
BN4100804CHSS.....	E10	BN4141208CHQTSS.....	E12	CTSD243612.....	B13	DF48CVPF5SS.....	J6
BN4100804CHSSA.....	E10	BN4141208CHQTSSA.....	E12	CTSD303612.....	B13	DF48CVPF6.....	J6
BN4100804SS.....	E8	BN4161406.....	D2	D36CVP.....	J8	DF48CVPF6SS.....	J6
BN4100804SSA.....	E8	BN4161406AL.....	E14	D36CVPKN34C3DP24.....	J8	DF48CVPSS.....	J6
BN4100806CH.....	D4	BN4161406CH.....	D4	D36CVPKN34C3DP24SS.....	J8	DF52CVP.....	J6
BN4100806CHQT.....	D6	BN4161406CHAL.....	E16	D36CVPKNHX32.....	J8	DF52CVPF2.....	J6
BN4100806CHQTSS.....	E12	BN4161406CHQT.....	D6	D36CVPKNHX32SS.....	J8	DF52CVPF2SS.....	J6
BN4100806CHQTSSA.....	E12	BN4161406CHQTSS.....	E12	D36CVPSS.....	J8	DF52CVPF3.....	J6
BN4121005.....	D2	BN4161406CHQTSSA.....	E12	D36WHD.....	J9	DF52CVPF3SS.....	J6
BN4121005AL.....	E14	BN4161406CHSS.....	E10	D3R10FN.....	J9	DF52CVPF4.....	J6

PART NUMBER	PAGE	PART NUMBER	PAGE	PART NUMBER	PAGE	PART NUMBER	PAGE
DF52CVPF4SS.....	J6	DSNF52CVPF5A.....	J7	E0404.....	H3	FF101082CFM48VB.....	M38
DF52CVPF5.....	J6	DSNF52CVPF5ASS.....	J7	E0404G.....	H3	FF101082CFM48VG.....	M38
DF52CVPF5SS.....	J6	DSNF52CVPF5B.....	J7	E0404NK.....	H3	FF1313317CFM400VB.....	M38
DF52CVPF6.....	J6	DSNF52CVPF5BSS.....	J7	E0606.....	H3	FF1313317CFM400VG.....	M38
DF52CVPF6SS.....	J6	DSNF52CVPF6.....	J7	E0606G.....	H3	FF1313340CFM115VB.....	M38
DF52CVPF7.....	J6	DSNF52CVPF6SS.....	J7	E0606GNK.....	H3	FF1313340CFM115VG.....	M38
DF52CVPF7SS.....	J6	DSNF52CVPF7A.....	J7	E0606NK.....	H3	FF1313340CFM230VB.....	M38
DF52CVPSS.....	J6	DSNF52CVPF7ASS.....	J7	E0808.....	H3	FF1313340CFM230VG.....	M38
DFNCVP.....	J9	DSNF52CVPF8.....	J7	E0808G.....	H3	FF1313547CFM115VB.....	M38
DFNP3636CG.....	J6	DSNF52CVPF8SS.....	J7	E0808NK.....	H3	FF1313547CFM115VG.....	M38
DFNP4836CG.....	J6	DSNF52CVPF9.....	J7	E1010GNK.....	H3	FF1313547CFM230VB.....	M38
DFNP5236CG.....	J6	DSNF52CVPF9SS.....	J7	E1010NK.....	H3	FF1313547CFM230VG.....	M38
DHMICVP.....	J9	DSPP.....	L19	E1212GNK.....	H3	FF1313547CFM400VB.....	M38
DHMIN3R.....	J9	DSPPRB.....	L19	E1212NK.....	H3	FF1313547CFM400VG.....	M38
DHMIN4.....	J9	DSRP.....	L19	EG1010B.....	M36,M40	FF4415CFM115VB.....	M36
DK12.....	L4	DTSF48CVPF2.....	J7	EG1010G.....	M36,M40	FF4415CFM115VG.....	M36
DK16.....	L4	DTSF48CVPF2SS.....	J7	EG1313B.....	M40	FF4415CFM230VB.....	M36
DK20.....	L4	DTSF48CVPF3.....	J7	EG1313G.....	M40	FF4415CFM230VG.....	M36
DK24.....	L4	DTSF48CVPF3SS.....	J7	EG44B.....	M36,M40	FF4429CFM24VB.....	M38
DK30.....	L4	DTSF48CVPF4.....	J7	EG44G.....	M36,M40	FF4429CFM24VG.....	M38
DK36.....	L4	DTSF48CVPF4SS.....	J7	EG66B.....	M36,M40	FF449CFM115VB.....	M38
DK42.....	L4	DTSF48CVPF5A.....	J7	EG66G.....	M36,M40	FF449CFM115VG.....	M38
DK48.....	L4	DTSF48CVPF5ASS.....	J7	EG88B.....	M36,M40	FF449CFM12VB.....	M38
DK60.....	L4	DTSF48CVPF5B.....	J7	EG88G.....	M36,M40	FF449CFM12VG.....	M38
DK72.....	L4	DTSF48CVPF5BSS.....	J7	EGFBF1010.....	M22	FF449CFM230VB.....	M38
DN412363816CDF.....	J5	DTSF48CVPF6.....	J7	EGFBF44.....	M22	FF449CFM230VG.....	M38
DN412363816CDS.....	J5	DTSF48CVPF6SS.....	J7	EGFBF66.....	M22	FF449CFM24VB.....	M38
DN412483819CDF.....	J5	DTSF52CVPF2.....	J7	ETF3000.....	M32	FF449CFM24VG.....	M38
DN412483819CDS.....	J5	DTSF52CVPF2SS.....	J7	ETF3000120F.....	M32	FF6628CFM24VB.....	M38
DN412523822CDF.....	J5	DTSF52CVPF3.....	J7	FBF1010115V.....	M21	FF6628CFM24VG.....	M38
DN412523822CDS.....	J5	DTSF52CVPF3SS.....	J7	FBF1010230V.....	M21	FF6628CFM48VB.....	M38
DSNF48CVPF2.....	J7	DTSF52CVPF4.....	J7	FBF44115V.....	M21	FF6628CFM48VG.....	M38
DSNF48CVPF2SS.....	J7	DTSF52CVPF4SS.....	J7	FBF44230V.....	M21	FF6629CFM115VB.....	M38
DSNF48CVPF3.....	J7	DTSF52CVPF5A.....	J7	FBF66115V.....	M21	FF6629CFM115VG.....	M38
DSNF48CVPF3SS.....	J7	DTSF52CVPF5ASS.....	J7	FBF66230V.....	M21	FF6629CFM230VB.....	M38
DSNF48CVPF4.....	J7	DTSF52CVPF5B.....	J7	FF1010132CFM24VB.....	M38	FF6629CFM230VG.....	M38
DSNF48CVPF4SS.....	J7	DTSF52CVPF5BSS.....	J7	FF1010132CFM24VG.....	M38	FF6650CFM115VB.....	M36
DSNF48CVPF5A.....	J7	DTSF52CVPF6.....	J7	FF1010132CFM48VB.....	M38	FF6650CFM115VG.....	M36
DSNF48CVPF5ASS.....	J7	DTSF52CVPF6SS.....	J7	FF1010132CFM48VG.....	M38	FF6650CFM230VB.....	M36
DSNF48CVPF5B.....	J7	DTSF52CVPF7A.....	J7	FF1010159CFM115VB.....	M36	FF6650CFM230VG.....	M36
DSNF48CVPF5BSS.....	J7	DTSF52CVPF7ASS.....	J7	FF1010159CFM115VG.....	M36	FF8859CFM24VB.....	M38
DSNF48CVPF6.....	J7	DTSF52CVPF7B.....	J7	FF1010159CFM230VB.....	M36	FF8859CFM24VG.....	M38
DSNF48CVPF6SS.....	J7	DTSF52CVPF7BSS.....	J7	FF1010159CFM230VG.....	M36	FF8865CFM115VB.....	M36
DSNF52CVPF2.....	J7	DTSF52CVPF9.....	J7	FF101071CFM115VB.....	M38	FF8865CFM115VG.....	M36
DSNF52CVPF2SS.....	J7	DTSF52CVPF9SS.....	J7	FF101071CFM115VG.....	M38	FF8865CFM230VB.....	M36
DSNF52CVPF3.....	J7	DWA3456BAP.....	J9	FF101071CFM230VB.....	M38	FF8865CFM230VG.....	M36
DSNF52CVPF3SS.....	J7	DWTTUP.....	J9	FF101071CFM230VG.....	M38	FF8877CFM115VB.....	M38
DSNF52CVPF4.....	J7	E0202.....	H3	FF101082CFM24VB.....	M38	FF8877CFM115VG.....	M38
DSNF52CVPF4SS.....	J7	E0202GNK.....	H3	FF101082CFM24VG.....	M38	FF8877CFM230VB.....	M38

PART NUMBER	PAGE	PART NUMBER	PAGE	PART NUMBER	PAGE	PART NUMBER	PAGE
FF8877CFM230VG.....	M38	FR88G4.....	M36,M40	HFWNSP2416C.....	L22	HS225.....	H2
FFSMK.....	M40	FRFBF1010.....	M22	HFWNSP2420C.....	L22	HS225NK.....	H2
FFTM288CFM115VG.....	M38	FRFBF44.....	M22	HFWNSP2424C.....	L22	HS226.....	H2
FFTM288CFM230VG.....	M38	FRFBF66.....	M22	HFWNSP3020C.....	L22	HS226NK.....	H2
FH115230V300W.....	M30	HEC24V.....	M32	HFWNSP3024C.....	L22	HS228.....	H2
FH115230V350W.....	M30	HFWADM102C.....	L23	HFWNSP3030C.....	L22	HS228NK.....	H2
FH115V125W.....	M28	HFWADM104C.....	L23	HFWNSP3624C.....	L22	HS441.....	H2
FH115V200W.....	M28	HFWADM122C.....	L23	HFWNSP3630C.....	L22	HS4410.....	H2
FH115V250W.....	M29	HFWADM124C.....	L23	HFWNSP3636C.....	L22	HS4410NK.....	H2
FH115V400W.....	M28	HFWADM64C.....	L23	HFWRA20C.....	L24	HS441NK.....	H2
FH115V400W20.....	M29	HFWADM82C.....	L23	HFWRA24C.....	L24	HS442.....	H2
FH115V500W.....	M29	HFWADM84C.....	L23	HFWRA30C.....	L24	HS442NK.....	H2
FH115V750W.....	M29	HFWCNP4C.....	L22	HFWRA36C.....	L24	HS443.....	H2
FH115V800W.....	M28	HFWDF1212C.....	L23	HFWRA48C.....	L24	HS443NK.....	H2
FH230V125W.....	M28	HFWDF1612C.....	L23	HMC230V.....	M32	HS444.....	H2
FH230V200W.....	M28	HFWDF2016C.....	L23	HS10101.....	H2	HS444NK.....	H2
FH230V250W.....	M29	HFWDF2020C.....	L23	HS101010.....	H2	HS445.....	H2
FH230V400W.....	M28	HFWDF2420C.....	L23	HS101010NK.....	H2	HS445NK.....	H2
FH230V400W20.....	M29	HFWDF2424C.....	L23	HS10101NK.....	H2	HS446.....	H2
FH230V500W.....	M29	HFWDF3024C.....	L23	HS10102.....	H2	HS446NK.....	H2
FH230V750W.....	M29	HFWDR12C.....	L24	HS10102NK.....	H2	HS448.....	H2
FH230V800W.....	M28	HFWDR16C.....	L24	HS10103.....	H2	HS448NK.....	H2
FK0608.....	L12	HFWDR20C.....	L24	HS10103NK.....	H2	HS661.....	H2
FK0610.....	L12	HFWDR24C.....	L24	HS10104.....	H2	HS6610.....	H2
FK0612.....	L12	HFWGS12C.....	L24	HS10104NK.....	H2	HS6610NK.....	H2
FK0618.....	L12	HFWGS16C.....	L24	HS10105.....	H2	HS661NK.....	H2
FK0624.....	L12	HFWGS20C.....	L24	HS10105NK.....	H2	HS662.....	H2
FK1208.....	L12	HFWGS24C.....	L24	HS10106.....	H2	HS662NK.....	H2
FK1210.....	L12	HFWGS30C.....	L24	HS10106NK.....	H2	HS663.....	H2
FK1212.....	L12	HFWGS36C.....	L24	HS10108.....	H2	HS663NK.....	H2
FK1216.....	L12	HFWGS42C.....	L24	HS10108NK.....	H2	HS664.....	H2
FK1218.....	L12	HFWGS48C.....	L24	HS121210NK.....	H2	HS664NK.....	H2
FK1220.....	L12	HFWGS60C.....	L24	HS12121NK.....	H2	HS665.....	H2
FK1224.....	L12	HFWMC12C.....	L24	HS12122NK.....	H2	HS665NK.....	H2
FK1808.....	L12	HFWMC16C.....	L24	HS12123NK.....	H2	HS666.....	H2
FK1810.....	L12	HFWMC20C.....	L24	HS12124NK.....	H2	HS666NK.....	H2
FK1812.....	L12	HFWMC24C.....	L24	HS12125NK.....	H2	HS668.....	H2
FK1816.....	L12	HFWMC30C.....	L24	HS12126NK.....	H2	HS668NK.....	H2
FK2408.....	L12	HFWMC36C.....	L24	HS12128NK.....	H2	HS881.....	H2
FK2410.....	L12	HFWMC42C.....	L24	HS221.....	H2	HS8810.....	H2
FK2412.....	L12	HFWMC48C.....	L24	HS2210.....	H2	HS8810NK.....	H2
FR1010G3.....	M36,M40	HFWMC60C.....	L24	HS2210NK.....	H2	HS881HNK.....	H2
FR1010G4.....	M36,M40	HFWNSP1212C.....	L22	HS221NK.....	H2	HS881NK.....	H2
FR1313G3.....	M36,M40	HFWNSP1612C.....	L22	HS222.....	H2	HS882.....	H2
FR1313G4.....	M36,M40	HFWNSP1616C.....	L22	HS222NK.....	H2	HS882NK.....	H2
FR44G3.....	M36,M40	HFWNSP1620C.....	L22	HS223.....	H2	HS883.....	H2
FR66G3.....	M36,M40	HFWNSP2016C.....	L22	HS223NK.....	H2	HS883NK.....	H2
FR66G4.....	M36,M40	HFWNSP2020C.....	L22	HS224.....	H2	HS884.....	H2
FR88G3.....	M36,M40	HFWNSP2024C.....	L22	HS224NK.....	H2	HS884NK.....	H2

PART NUMBER	PAGE	PART NUMBER	PAGE	PART NUMBER	PAGE	PART NUMBER	PAGE
HS885	H2	HW-181610CHSC	F3	HW-CC141208CHQR	F6	HW-J100806CHTL	F24
HS885NK	H2	HW-181610CHTL	F7	HW-CC141208CHSC	F4	HW-J100806CHTLW	F24
HS886	H2	HW-181610CHTLW	F7	HW-CC141208CHTL	F7	HW-J100806SC	F20
HS886NK	H2	HW-181610SC	F2	HW-CC161408CHQR	F6	HW-J100808XD	F25
HS888	H2	HW-201610CHQR	F5	HW-CC161408CHSC	F4	HW-J10088XD	F25
HS888NK	H2	HW-201610CHQRW	F5	HW-CC161408CHTL	F7	HW-J121005CHQR	F22
HTEC24VC	M32	HW-201610CHSC	F3	HW-CC60604CHQR	F6	HW-J121005CHQRW	F23
HTEC24VF	M32	HW-201610CHTL	F7	HW-CC60604CHSC	F4	HW-J121005CHSC	F21
HW-100806CHQR	F5	HW-201610CHTLW	F7	HW-CC60604CHTL	F7	HW-J121005CHTL	F24
HW-100806CHQRW	F5	HW-201610SC	F2	HW-CC80604CHQR	F6	HW-J121005CHTLW	F24
HW-100806CHSC	F3	HW-2PKENCAP	F44	HW-CC80604CHSC	F4	HW-J121005SC	F20
HW-100806CHTL	F7	HW-2PKSS	F43	HW-CC80604CHTL	F7	HW-J121010XD	F25
HW-100806CHTLW	F7	HW-4PKENCAP	F44	HW-CC80804CHQR	F6	HW-J121206CHQR	F22
HW-100806SC	F2	HW-4PKSS	F43	HW-CC80804CHSC	F4	HW-J121206CHSC	F21
HW-110906CHQR	F11	HW-4XBVKIT	F43	HW-CC80804CHTL	F7	HW-J121206CHTL	F24
HW-110906CHQTD	F12	HW-4XDVKIT	F43	HW-CI2	F43	HW-J121206SC	F20
HW-110906CHSC	F10	HW-60604CHQR	F5	HW-D10105SC	F31	HW-J121212XD	F25
HW-110906SC	F9	HW-60604CHQRW	F5	HW-D10165SC	F31	HW-J140706CHQR	F22
HW-121006CHQR	F5	HW-60604CHSC	F3	HW-D14144SC	F31	HW-J140706CHSC	F21
HW-121006CHQRW	F5	HW-60604CHTL	F7	HW-D16165SC	F31	HW-J140706CHTL	F24
HW-121006CHSC	F3	HW-60604SC	F2	HW-D24168SC	F31	HW-J140706SC	F20
HW-121006CHTL	F7	HW-70705CHQR	F11	HW-D554SC	F31	HW-J141206CHQR	F22
HW-121006SC	F2	HW-70705CHQTD	F12	HW-D594SC	F31	HW-J141206CHQRW	F23
HW-131106CHQR	F11	HW-70705CHSC	F10	HW-D7114SC	F31	HW-J141206CHSC	F21
HW-131106CHQTD	F12	HW-70705SC	F9	HW-D774SC	F31	HW-J141206CHTL	F24
HW-131106CHSC	F10	HW-80604CHQR	F5	HW-DV	F43	HW-J141206CHTLW	F24
HW-131106SC	F9	HW-80604CHQRW	F5	HW-DVKIT	F43	HW-J141206SC	F20
HW-141206CHQR	F5	HW-80604CHSC	F3	HW-FGHP	F42	HW-J141212XD	F25
HW-141206CHQRW	F5	HW-80604CHTL	F7	HW-FGHP-100-125	F42	HW-J161406CHQR	F22
HW-141206CHSC	F3	HW-80604SC	F2	HW-FGHP-150-200	F42	HW-J161406CHQRW	F23
HW-141206CHTL	F7	HW-80804CHQR	F5	HW-FGHP-200-275	F42	HW-J161406CHSC	F21
HW-141206SC	F2	HW-80804CHQRW	F5	HW-FGHP-250-350	F42	HW-J161406CHTL	F24
HW-141208CHQR	F5	HW-80804CHSC	F3	HW-FGHP-300-425	F42	HW-J161406CHTLW	F24
HW-141208CHQRW	F5	HW-80804CHTL	F7	HW-FGHP-350-500	F42	HW-J161406SC	F20
HW-141208CHSC	F3	HW-80804SC	F2	HW-FGHP-PB-000	F42	HW-J161412XD	F25
HW-141208CHTL	F7	HW-90705CHQR	F11	HW-FGHP-PB-075	F42	HW-J181608CHQR	F22
HW-141208SC	F2	HW-90705CHQTD	F12	HW-J100804CHQR	F22	HW-J181608CHQRW	F23
HW-151307CHQR	F11	HW-90705CHSC	F10	HW-J100804CHQRW	F23	HW-J181608CHSC	F21
HW-151307CHQTD	F12	HW-90705SC	F9	HW-J100804CHSC	F21	HW-J181608CHTL	F24
HW-151307CHSC	F10	HW-CARRYINGHANDLE	F44	HW-J100804CHTL	F24	HW-J181608CHTLW	F24
HW-151307SC	F9	HW-CC100806CHQR	F6	HW-J100804CHTLW	F24	HW-J181608SC	F20
HW-161408CHQR	F5	HW-CC100806CHSC	F4	HW-J100804SC	F20	HW-J181610CHQRW	F23
HW-161408CHQRW	F5	HW-CC100806CHTL	F7	HW-J100805CHSC	F21	HW-J181617XD	F25
HW-161408CHSC	F3	HW-CC121006CHQR	F6	HW-J100805CHTL	F24	HW-J201608CHQR	F22
HW-161408CHTL	F7	HW-CC121006CHSC	F4	HW-J100805CHTLW	F24	HW-J201608CHQRW	F23
HW-161408CHTLW	F7	HW-CC121006CHTL	F7	HW-J100805SC	F20	HW-J201608CHSC	F21
HW-161408SC	F2	HW-CC141206CHQR	F6	HW-J100806CHQR	F22	HW-J201608CHTL	F24
HW-181610CHQR	F5	HW-CC141206CHSC	F4	HW-J100806CHQRW	F23	HW-J201608CHTLW	F24
HW-181610CHQRW	F5	HW-CC141206CHTL	F7	HW-J100806CHSC	F21	HW-J201608SC	F20

PART NUMBER	PAGE	PART NUMBER	PAGE	PART NUMBER	PAGE	PART NUMBER	PAGE
HW-J201617XD	F25	HW-MP1412SS	F40	HW-N3R363010CH	F33	HW-N4X5PB-22	F18
HW-J2020103PT	F30	HW-MP1614A	F40	HW-N3R363012CH	F33	HW-N4X603612CH	F37
HW-J202010CHQR	F22	HW-MP1614CS	F39	HW-N3R483612CH	F33	HW-N4X603616CH	F37
HW-J2420103PT	F30	HW-MP1614FG	F39	HW-N3R483616CH	F33	HW-N4X604808CH	F37
HW-J242010CHQR	F22	HW-MP1614SS	F40	HW-N4X1144	F15	HW-N4X604810CH	F37
HW-J2424103PT	F30	HW-MP1816A	F40	HW-N4X1432	F15	HW-N4X604812CH	F37
HW-J242410CHQR	F22	HW-MP1816CS	F39	HW-N4X161007CH	F35	HW-N4X604816CH	F37
HW-J60404CHQR	F22	HW-MP1816FG	F39	HW-N4X1732	F15	HW-N4X604818CH	F37
HW-J60404CHQRW	F23	HW-MP1816SS	F40	HW-N4X1PB	F17	HW-N4X604820CH	F37
HW-J60404CHSC	F21	HW-MP2016A	F40	HW-N4X1PB-22	F18	HW-N4X604824CH	F37
HW-J60404CHTL	F24	HW-MP2016CS	F39	HW-N4X201608CH	F35	HW-N4X606010CH	F37
HW-J60404CHTLW	F24	HW-MP2016FG	F39	HW-N4X201610CH	F35	HW-N4X606012CH	F37
HW-J60404SC	F20	HW-MP2016SS	F40	HW-N4X201610CHW	F35	HW-N4X606016CH	F37
HW-J60604CHQR	F22	HW-MP2020AL	F40	HW-N4X201612CH	F35	HW-N4X606018CH	F37
HW-J60604CHQRW	F23	HW-MP2020CS	F39	HW-N4X241206CH	F35	HW-N4X606024CH	F37
HW-J60604CHSC	F21	HW-MP2020FG	F39	HW-N4X241210CH	F35	HW-N4X644	F15
HW-J60604CHTL	F24	HW-MP2420AL	F40	HW-N4X241210CHW	F35	HW-N4X6PB	F17
HW-J60604CHTLW	F24	HW-MP2420CS	F39	HW-N4X242008CH	F35	HW-N4X6PB-22	F18
HW-J60604SC	F20	HW-MP2420FG	F39	HW-N4X242008CHW	F35	HW-N4X6PBW	F19
HW-J80604CHQR	F22	HW-MP2424AL	F40	HW-N4X242410CH	F35	HW-N4X722418CH	F37
HW-J80604CHQRW	F23	HW-MP2424CS	F39	HW-N4X242410CHW	F35	HW-N4X722525CH	F37
HW-J80604CHSC	F21	HW-MP2424FG	F39	HW-N4X242412CH	F35	HW-N4X723018CH	F38
HW-J80604CHTL	F24	HW-MP2424PCA	F13	HW-N4X2PB	F17	HW-N4X723024CH	F38
HW-J80604CHTLW	F24	HW-MP604A	F40	HW-N4X2PB-22	F18	HW-N4X723618CH	F38
HW-J80604SC	F20	HW-MP604CS	F39	HW-N4X302006CH	F35	HW-N4X723624CH	F38
HW-J80608XD	F25	HW-MP604FG	F39	HW-N4X302008CH	F35	HW-N4X724818CH	F38
HW-J80804CHQR	F22	HW-MP604SS	F40	HW-N4X302008CHW	F35	HW-N4X724824CH	F38
HW-J80804CHSC	F21	HW-MP606A	F40	HW-N4X302010CH	F35	HW-N4X724925CH	F38
HW-J80804CHTL	F24	HW-MP606CS	F39	HW-N4X302010CHW	F35	HW-N4X726012CH	F38
HW-J80804SC	F20	HW-MP606FG	F39	HW-N4X302012CH	F35	HW-N4X726016CH	F38
HW-J80808XD	F25	HW-MP606SS	F40	HW-N4X302408CH	F35	HW-N4X726018CH	F38
HW-LMTGFTKIT	F42	HW-MP706A	F40	HW-N4X302410CH	F35	HW-N4X726024CH	F38
HW-LP	F44	HW-MP706CS	F39	HW-N4X302410CHW	F35	HW-N4X727212CH	F38
HW-LPKIT	F44	HW-MP806A	F40	HW-N4X302412CH	F35	HW-N4X727218CH	F38
HW-MGFTKIT	F42	HW-MP806CS	F39	HW-N4X332	F15	HW-N4X727224CH	F38
HW-MP1008A	F40	HW-MP806FG	F39	HW-N4X363008CH	F35	HW-N4X747212CH	F38
HW-MP1008CS	F39	HW-MP806SS	F40	HW-N4X363010CH	F35	HW-N4X747224CH	F38
HW-MP1008FG	F39	HW-MP808A	F40	HW-N4X363012CH	F35	HW-N4X763SC	F16
HW-MP1008SS	F40	HW-MP808CS	F39	HW-N4X363012CHW	F35	HW-N4X832	F15
HW-MP1210A	F40	HW-MP808FG	F39	HW-N4X3PB	F17	HW-N4X844	F15
HW-MP1210CS	F39	HW-MP808SS	F40	HW-N4X3PB-22	F18	HW-N4X903620CH	F38
HW-MP1210FG	F39	HW-MP906A	F40	HW-N4X483612CH	F37	HW-N4X903624CH	F38
HW-MP1210SS	F40	HW-MP906CS	F39	HW-N4X483612CHW	F35	HW-N4X903636CH	F38
HW-MP1407A	F40	HW-N3R242410CH	F33	HW-N4X483616CH	F37	HW-N4X904820CH	F38
HW-MP1407CS	F39	HW-N3R302008CH	F33	HW-N4X4PB	F17	HW-N4X907220CH	F38
HW-MP1407FG	F39	HW-N3R302010CH	F33	HW-N4X4PB-22	F18	HW-N4X907224CH	F38
HW-MP1412A	F40	HW-N3R302410CH	F33	HW-N4X4PBW	F19	HW-N4X907236CH	F38
HW-MP1412CS	F39	HW-N3R302412CH	F33	HW-N4X532	F15	HW-N4X932	F15
HW-MP1412FG	F39	HW-N3R363008CH	F33	HW-N4X5PB	F17	HW-N4X963SC	F16

PART NUMBER	PAGE	PART NUMBER	PAGE	PART NUMBER	PAGE	PART NUMBER	PAGE
HW-N4X9PBW.....	F19	HW-PSNK	F45	HW-RHJ80606CHTL	F29	JW23	H12
HW-N4XMTGFTKIT.....	F42	HW-PSPMK	F45	HW-RHJ80606SC.....	F26	JW24	H12
HW-P100804CHQR.....	F13	HW-RHJ100806CHQR	F28	HW-RHJ80806CHQR	F28	JW25	H12
HW-P100806CHQR.....	F13	HW-RHJ100806CHQRW.....	F28	HW-WHJ100804CHQR	F22	JW41	H12
HW-P1008SPK	F13	HW-RHJ100806CHSC	F27	HW-WHJ100804CHSC.....	F21	JW410	H12
HW-P101006CHQR.....	F13	HW-RHJ100806CHTL	F29	HW-WHJ121005CHQR	F22	JW42	H12
HW-P121006CHQR.....	F13	HW-RHJ100806CHTLW.....	F29	HW-WHJ121005CHSC.....	F21	JW43	H12
HW-P1210SPK	F13	HW-RHJ100806SC.....	F26	HW-WHJ141206CHQR	F22	JW44	H12
HW-P141206CHQR.....	F13	HW-RHJ121006CHQR	F28	HW-WHJ141206CHSC.....	F21	JW45	H12
HW-P1412SPK	F13	HW-RHJ121006CHQRW.....	F28	HW-WHJ161406CHQR	F22	JW4BK60	H13
HW-P161408CHQR.....	F13	HW-RHJ121006CHSC	F27	HW-WHJ161406CHSC.....	F21	JW61	H12
HW-P1614SPK	F13	HW-RHJ121006CHTL	F29	HW-WHJ181608CHQR	F22	JW610	H12
HW-P181604CHQR.....	F13	HW-RHJ121006CHTLW.....	F29	HW-WHJ181608CHSC.....	F21	JW62	H12
HW-P181610CHQR.....	F13	HW-RHJ121006SC.....	F26	HW-WHJ201608CHQR	F22	JW63	H12
HW-P1816SPK	F13	HW-RHJ121207CHQR	F28	HW-WHJ201608CHSC.....	F21	JW64	H12
HW-P201608CHQR.....	F13	HW-RHJ121207CHTL	F29	HW-WHJ60404CHQR	F22	JW65	H12
HW-P242410CHQR.....	F13	HW-RHJ141207CHQR	F28	HW-WHJ60404CHSC.....	F21	JW6BK60	H13
HW-P2424SPK	F13	HW-RHJ141207CHQRW.....	F28	HW-WHJ60604CHQR	F22	JW81	H12
HW-P60604CHQR.....	F13	HW-RHJ141207CHSC	F27	HW-WHJ60604CHSC.....	F21	JW810	H12
HW-P606SPK	F13	HW-RHJ141207CHTL	F29	HW-WHJ80604CHQR	F22	JW82	H12
HW-P80604CHQR.....	F13	HW-RHJ141207CHTLW.....	F29	HW-WHJ80604CHSC.....	F21	JW83	H12
HW-P806SPK	F13	HW-RHJ141207SC.....	F26	HW-WM1610A	F41	JW84	H12
HW-P80804CHQR.....	F13	HW-RHJ161407CHQR	F28	HW-WM1610CS	F41	JW85	H12
HW-PACCKIT	F45	HW-RHJ161407CHQRW.....	F28	HW-WM2016A	F41	JW8BK60	H13
HW-PCC100804CHQR	F13	HW-RHJ161407CHSC	F27	HW-WM2016CS	F41	JWA2	H13
HW-PCC100806CHQR	F13	HW-RHJ161407CHTL	F29	HW-WM2412A	F41	JWA4	H13
HW-PCC101006CHQR	F13	HW-RHJ161407CHTLW.....	F29	HW-WM2412CS	F41	JWA6	H13
HW-PCC121006CHQR	F13	HW-RHJ161407SC.....	F26	HW-WM2420A	F41	JWA8	H13
HW-PCC141206CHQR	F13	HW-RHJ181610CHQR	F28	HW-WM2420CS	F41	JWBH2	H13
HW-PCC161408CHQR	F13	HW-RHJ181610CHQRW.....	F28	HW-WM2424A	F41	JWBH4	H13
HW-PCC181604CHQR	F13	HW-RHJ181610CHSC	F27	HW-WM2424CS	F41	JWBH6	H13
HW-PCC181610CHQR	F13	HW-RHJ181610CHTL	F29	HW-WM3020A	F41	JWBH8	H13
HW-PCC201608CHQR	F13	HW-RHJ181610CHTLW.....	F29	HW-WM3020CS	F41	JWD2	H13
HW-PCC242410CHQR	F13	HW-RHJ201610CHQR	F28	HW-WM3024A	F41	JWD4	H13
HW-PCC60604CHQR	F13	HW-RHJ201610CHQRW.....	F28	HW-WM3024CS	F41	JWD6	H13
HW-PCC80604CHQR	F13	HW-RHJ201610CHSC	F27	HW-WM3630A	F41	JWD8	H13
HW-PCC80804CHQR	F13	HW-RHJ201610CHTL	F29	HW-WM3630CS	F41	JWE2	H13
HW-PLATCHKIT	F45	HW-RHJ60405CHQR	F28	HW-WM3648A	F41	JWE4	H13
HW-PMKT10-12.....	F45	HW-RHJ60405CHQRW.....	F28	HW-WM3648CS	F41	JWE6	H13
HW-PMKT14-16.....	F45	HW-RHJ60405CHSC	F27	HW-WM4836A	F41	JWE8	H13
HW-PMKT18-24.....	F45	HW-RHJ60405CHTL	F29	HW-WM4836CS	F41	JWF2	H13
HW-PMKT6-8.....	F45	HW-RHJ60405SC.....	F26	HW-WM6036A	F41	JWF4	H13
HW-PN4X1PB.....	F14	HW-RHJ60606CHQR	F28	HW-WM6036CS	F41	JWF6	H13
HW-PN4X1PB-22	F14	HW-RHJ60606CHQRW.....	F28	JIC040202.....	C14	JWF8	H13
HW-PN4X2PB.....	F14	HW-RHJ60606CHSC	F27	JIC0403025.....	C14	JWFF2.....	H13
HW-PN4X2PB-22	F14	HW-RHJ60606CHTL	F29	JIC040403.....	C14	JWFF4.....	H13
HW-PN4X432	F14	HW-RHJ60606SC.....	F26	JW21	H12	JWFF6.....	H13
HW-PN4X533	F14	HW-RHJ80606CHQRW.....	F28	JW210	H12	JWFF8.....	H13
HW-PRTPKT	F44	HW-RHJ80606CHSC	F27	JW22	H12	JWG22	H13

PART NUMBER	PAGE	PART NUMBER	PAGE	PART NUMBER	PAGE	PART NUMBER	PAGE
JWG44	H13	L020290	H3	LJW4QRSP	H9	LJWL454B	H9
JWG66	H13	L020290G	H3	LJW61	H8	LJWL454C	H9
JWG88	H13	L040445	H3	LJW610	H8	LJWL456A	H9
JWL452	H13	L040445G	H3	LJW61CCW	H9	LJWL456B	H9
JWL454	H13	L040490	H3	LJW61CW	H9	LJWL456C	H9
JWL456	H13	L040490G	H3	LJW62	H8	LJWL458A	H9
JWL458	H13	L060645	H3	LJW63	H8	LJWL458B	H9
JWL902	H13	L060645G	H3	LJW64	H8	LJWL458C	H9
JWL904	H13	L060690	H3	LJW65	H8	LJWL90126A	H9
JWL906	H13	L060690G	H3	LJW6ASP	H9	LJWL90126B	H9
JWL908	H13	L080845	H3	LJW6QRSP	H9	LJWL90126C	H9
JWN221	H13	L080845G	H3	LJW81	H8	LJWL902A	H9
JWN222	H13	L080890	H3	LJW810	H8	LJWL902B	H9
JWN223	H13	L080890G	H3	LJW81CCW	H9	LJWL902C	H9
JWN226	H13	L101045	H3	LJW81CW	H9	LJWL904A	H9
JWN441	H13	L101045G	H3	LJW82	H8	LJWL904B	H9
JWN442	H13	L101090	H3	LJW83	H8	LJWL904C	H9
JWN443	H13	L101090G	H3	LJW84	H8	LJWL906A	H9
JWN446	H13	L121245	H3	LJW85	H8	LJWL906B	H9
JWN661	H13	L121245G	H3	LJW8ASP	H9	LJWL906C	H9
JWN662	H13	L121290	H3	LJW8QRSP	H9	LJWL908A	H9
JWN663	H13	L121290G	H3	LJW902CCW	H9	LJWL908B	H9
JWN666	H13	LJW1261	H8	LJW902CW	H9	LJWL908C	H9
JWN881	H13	LJW12610	H8	LJW904CCW	H9	LJWN1266	H9
JWN882	H13	LJW1262	H8	LJW904CW	H9	LJWN221	H9
JWN883	H13	LJW1263	H8	LJW906CCW	H9	LJWN222	H9
JWN886	H13	LJW1264	H8	LJW906CW	H9	LJWN223	H9
JWRB42C	H13	LJW1265	H8	LJW908CCW	H9	LJWN226	H9
JWRB64C	H13	LJW126ASP	H9	LJW908CW	H9	LJWN441	H9
JWRB84C	H13	LJW126QRSP	H9	LJWA126	H9	LJWN442	H9
JWRB86C	H13	LJW21	H8	LJWA2	H9	LJWN443	H9
JWS2	H13	LJW210	H8	LJWA4	H9	LJWN446	H9
JWS4	H13	LJW21CCW	H9	LJWA6	H9	LJWN661	H9
JWS6	H13	LJW21CW	H9	LJWA8	H9	LJWN662	H9
JWS8	H13	LJW22	H8	LJWE126	H9	LJWN663	H9
JWSC22	H13	LJW23	H8	LJWE2	H9	LJWN666	H9
JWSC44	H13	LJW24	H8	LJWE4	H9	LJWN881	H9
JWSC66	H13	LJW25	H8	LJWE6	H9	LJWN882	H9
JWT2	H13	LJW2ASP	H9	LJWE8	H9	LJWN883	H9
JWT4	H13	LJW2QRSP	H9	LJWF126	H9	LJWN886	H9
JWT6	H13	LJW41	H8	LJWF2	H9	LJWRB1266	H9
JWT8	H13	LJW410	H8	LJWF4	H9	LJWRB42	H9
JWX2	H13	LJW41CCW	H9	LJWF6	H9	LJWRB64	H9
JWX4	H13	LJW41CW	H9	LJWF8	H9	LJWRB86	H9
JWX6	H13	LJW42	H8	LJWL45126A	H9	LJWS126	H9
JWX8	H13	LJW43	H8	LJWL452A	H9	LJWS2	H9
KD4AL0050	L8	LJW44	H8	LJWL452B	H9	LJWS4	H9
L020245	H3	LJW45	H8	LJWL452C	H9	LJWS6	H9
L020245G	H3	LJW4ASP	H9	LJWL454A	H9	LJWS8	H9

PART NUMBER	PAGE	PART NUMBER	PAGE	PART NUMBER	PAGE	PART NUMBER	PAGE
LJWT126A	H9	N12241206	C16	N12423616	C18	N1C121204	A8
LJWT2A	H9	N12241208	C17	N12482408	C17	N1C121206	A8
LJWT2C	H9	N12241210	C17	N12483008	C17	N1C121208	A8
LJWT4A	H9	N12241606	C16	N12483010	C17	N1C121404	A8
LJWT4C	H9	N12241608	C17	N12483608	C17	N1C121406	A8
LJWT6A	H9	N12242006	C16	N12483610	C17	N1C121408	A8
LJWT6C	H9	N12242008	C17	N12483612	C18	N1C121606LP	A10
LJWT8A	H9	N12242010	C17	N12483616	C18	N1C121606S	A8
LJWT8C	H9	N12242012	C17	N12483620	C18	N1C121608LP	A10
LJWX126	H9	N12242016	C18	N12544208	C23	N1C122006	A8
LJWX2	H9	N12242406	C16	N12603608	C17	N1C131806LP	A10
LJWX4	H9	N12242408	C17	N12603610	C17	N1C14T	L15
LJWX6	H9	N12242410	C17	N12603612	C18	N1C14TKL	L15
LJWX8	H9	N12242412	C17	N12603616	C18	N1C161606LP	A10
LOH080604	B9	N12242416	C18	N12603620	C18	N1C162006LP	A10
LOH080804	B9	N12243008	C17	N12604808	C23	N1C162008LP	A10
LOH080806	B9	N12301606	C16	N12604810	C23	N1C162406LP	A10
LOH100806	B9	N12302006	C16	N12604812	C23	N1C181806LP	A10
LOH121006	B9	N12302008	C17	N12604816	C23	N1C181810LP	A11
LOH121206	B9	N12302010	C17	N12604820	C24	N1C201606LP	A10
LOH141206	B9	N12302406	C16	N12604824	C24	N1C202006LP	A10
LOH161206	B9	N12302408	C17	N12606010	C23	N1C202008LP	A10
LOH161606	B9	N12302410	C17	N12606012	C23	N1C202406LP	A10
LOH181806	B9	N12302412	C17	N12606016	C23	N1C202408LP	A10
LOH201606	B9	N12302416	C18	N12606024	C24	N1C202410LP	A11
LOH202008	B9	N12302420	C18	N12723012	C18	N1C203006LP	A10
LOH242008	B9	N12302424	C18	N12723016	C18	N1C242008LP	A10
LOH242408	B9	N12303008	C17	N12723612	C18	N1C242406LP	A10
LOH302408	B9	N12303012	C17	N12726010	C23	N1C242408LP	A10
N12122406	C16	N12303608	C17	N12726012	C23	N1C242410LP	A11
N12122408	C16	N12362406	C16	N12726016	C23	N1C242412LP	A11
N12161206	C16	N12362408	C17	N12726020	C24	N1C243006LP	A10
N12161208	C16	N12362410	C17	N12726024	C24	N1C243008LP	A10
N12161210	C17	N12362412	C18	N12727210	C23	N1C243010LP	A11
N12161606	C16	N12363006	C16	N12727212	C23	N1C243012LP	A11
N12161608	C17	N12363008	C17	N12727216	C24	N1C243606LP	A10
N12162006	C16	N12363010	C17	N12727220	C24	N1C243608LP	A10
N12162008	C17	N12363012	C18	N12727224	C24	N1C243610LP	A11
N12201206	C16	N12363016	C18	N1C060604	A8	N1C303008LP	A11
N12201208	C17	N12363020	C18	N1C060804	A8	N1C303606LP	A10
N12201606	C16	N12363608	C17	N1C060806	A8	N1C303608LP	A11
N12201608	C17	N12363612	C18	N1C080804	A8	N1C303610LP	A11
N12201610	C17	N12422408	C17	N1C080806	A8	N1C303612LP	A11
N12201612	C17	N12423008	C17	N1C081004	A8	N1C304209	A12
N12202006	C16	N12423010	C17	N1C081006	A8	N1C304213	A12
N12202008	C17	N12423012	C18	N1C101004	A8	N1C304810	A12
N12202010	C17	N12423608	C17	N1C101006	A8	N1C364209	A12
N12202406	C16	N12423610	C17	N1C101204	A8	N1C364809	A12
N12202408	C17	N12423612	C18	N1C101206	A8	N1C364811	A12

PART NUMBER	PAGE	PART NUMBER	PAGE	PART NUMBER	PAGE	PART NUMBER	PAGE
N1C364817	A12	N1P2424	K6	N41214TVP	L15	N412161608SSA1PTC	E28
N1P0606	K3	N1P2424PP	K6	N41214TVP3	L15	N412161608SSAC	E22
N1P0606G	K3	N1P2430	K6	N41214TVPK	L17	N412161608SSC	E22
N1P0606PP	K3	N1P2430PP	K6	N41214TW	L16	N412161610C	D11
N1P0608	K3	N1P2436	K6	N41214TW3	L16	N412161610CLG	D11
N1P0608G	K3	N1P2436PP	K6	N41214TWPL	L16	N412161610SSAC	E23
N1P0608PP	K3	N1P3030	K6	N41214TWPL3	L16	N412161610SSC	E23
N1P0808	K3	N1P3030PP	K6	N4121612061PTC	D16	N4121620061PTC	D16
N1P0808G	K3	N1P3036	K6	N412161206C	D10	N412162006C	D10
N1P0808PP	K3	N1P3036PP	K6	N412161206CLG	D10	N412162006CLG	D10
N1P0810	K3	N4121212061PTC	D16	N412161206CST	D18	N4121620081PTC	D16
N1P0810G	K3	N412121206C	D10	N412161206SS1PTC	E27	N412162008C	D10
N1P0810PP	K3	N412121206CLG	D10	N412161206SSA1PTC	E28	N412162008CLG	D10
N1P1010	K3	N412121206CST	D18	N412161206SSAC	E22	N412162008SS1PTC	E27
N1P1010G	K3	N412121206SS1PTC	E27	N412161206SSC	E22	N412162008SSA1PTC	E28
N1P1010PP	K3	N412121206SSA1PTC	E28	N412161206WC	D14	N412162008SSAC	E22
N1P1012	K3	N412121206SSAC	E22	N412161206WCLG	D14	N412162008SSC	E22
N1P1012G	K3	N412121206SSC	E22	N412161206WSSC	E25	N412162010C	D11
N1P1012PP	K3	N412121206WC	D14	N4121612081PTC	D16	N412162010CLG	D11
N1P1212	K3	N412121206WCLG	D14	N412161208C	D10	N412162010SSAC	E23
N1P1212G	K3	N412121206WSSC	E25	N412161208CLG	D10	N412162010SSC	E23
N1P1212PP	K3	N412121208C	D10	N412161208CSSST	E30	N4122016061PTC	D16
N1P1214	K3	N412121208CLG	D10	N412161208SS1PTC	E27	N412201606C	D10
N1P1214G	K3	N412121208SSAC	E22	N412161208SSA1PTC	E28	N412201606CLG	D10
N1P1214PP	K3	N412121208SSC	E22	N412161208SSAC	E22	N412201606CST	D18
N1P1216	K3	N412121208WC	D14	N412161208SSC	E22	N412201606SS1PTC	E27
N1P1216G	K3	N412121208WCLG	D14	N412161208WC	D14	N412201606SSA1PTC	E28
N1P1216L	K6	N412121208WSSC	E25	N412161208WCLG	D14	N412201606SSAC	E22
N1P1216LPP	K6	N412141408C	D10	N412161208WSSC	E25	N412201606SSC	E22
N1P1216PP	K3	N412141408CLG	D10	N412161210C	D11	N412201606WC	D14
N1P1220	K3	N412141408SSAC	E22	N412161210CLG	D11	N412201606WCLG	D14
N1P1220G	K3	N412141408SSC	E22	N412161210SSAC	E23	N412201606WSSC	E25
N1P1220PP	K3	N41214SQ	L15	N412161210SSC	E23	N4122016081PTC	D16
N1P1616	K6	N41214SQ3	L15	N412161210WC	D14	N412201608C	D10
N1P1616PP	K6	N41214SQK	L17	N412161210WCLG	D14	N412201608CLG	D10
N1P1620	K6	N41214T	L16	N412161210WSSC	E26	N412201608CSSST	E30
N1P1620PP	K6	N41214T3	L16	N4121616061PTC	D16	N412201608CST	D18
N1P1624	K6	N41214TB	L16	N412161606C	D10	N412201608SS1PTC	E27
N1P1624PP	K6	N41214TB3	L16	N412161606CLG	D10	N412201608SSA1PTC	E28
N1P2016	K6	N41214TBKL	L16	N412161606SS1PTC	E27	N412201608SSAC	E22
N1P2016PP	K6	N41214TSS	L15	N412161606SSA1PTC	E28	N412201608SSC	E22
N1P2020	K6	N41214TSS3	L15	N412161606SSAC	E22	N412201608WC	D14
N1P2020PP	K6	N41214TTH	L16	N412161606SSC	E22	N412201608WCLG	D14
N1P2024	K6	N41214TTH3	L16	N4121616081PTC	D16	N412201608WSSC	E25
N1P2024PP	K6	N41214TTH3KL	L16	N412161608C	D10	N412201610C	D11
N1P2030	K6	N41214TTHKL	L16	N412161608CLG	D10	N412201610CLG	D11
N1P2030PP	K6	N41214TTRI	L15	N412161608CSSST	E30	N412201610SSAC	E23
N1P2420	K6	N41214TTRI3	L15	N412161608CST	D18	N412201610SSC	E23
N1P2420PP	K6	N41214TTRIK	L17	N412161608SS1PTC	E27	N412201610WC	D14

PART NUMBER	PAGE	PART NUMBER	PAGE	PART NUMBER	PAGE	PART NUMBER	PAGE
N412201610WCLG.....	D14	N412202408C.....	D10	N412242208CD.....	G7	N412242420C.....	D11
N412201610WSSC.....	E26	N412202408CLG.....	D10	N412242208CDSS.....	G7	N412242420CLG.....	D11
N412201612CSSST.....	E30	N412202410C.....	D11	N412242208CDSSA.....	G7	N412242420WC.....	D14
N4122020061PTC.....	D16	N412202410CLG.....	D11	N412242208CSTD.....	G9	N412242420WCLG.....	D14
N412202006C.....	D10	N4122416063PTC.....	D16	N4122424063PTC.....	D16	N412242420WSSC.....	E26
N412202006CLG.....	D10	N412241606C.....	D10	N412242406C.....	D10	N412242608CD.....	G7
N412202006CST.....	D18	N412241606CLG.....	D10	N412242406CLG.....	D10	N412242608CDSS.....	G7
N412202006SS1PTC.....	E27	N4122416083PTC.....	D16	N412242406WC.....	D14	N412242608CDSSA.....	G7
N412202006SSA1PTC.....	E28	N412241608C.....	D10	N412242406WCLG.....	D14	N412242608CSSSTD.....	G9
N412202006SSAC.....	E22	N412241608CLG.....	D10	N412242406WSSC.....	E25	N412242608CSTD.....	G9
N412202006SSC.....	E22	N412241608SS3PTC.....	E27	N4122424083PTC.....	D16	N4122430083PTC.....	D16
N412202006WC.....	D14	N412241608SSA3PTC.....	E28	N412242408C.....	D11	N412243008C.....	D11
N412202006WCLG.....	D14	N412241608SSAC.....	E22	N412242408CLG.....	D11	N412243008CLG.....	D11
N412202006WSSC.....	E25	N412241608SSC.....	E22	N412242408CSSST.....	E30	N412243010C.....	D11
N4122020081PTC.....	D16	N412241610C.....	D11	N412242408CST.....	D18	N412243010CLG.....	D11
N412202008C.....	D10	N412241610CLG.....	D11	N412242408SS3PTC.....	E27	N4123020083PTC.....	D17
N412202008CLG.....	D10	N412241610SSAC.....	E23	N412242408SSA3PTC.....	E28	N412302008C.....	D10
N412202008CSSST.....	E30	N412241610SSC.....	E23	N412242408SSAC.....	E23	N412302008CLG.....	D10
N412202008CST.....	D18	N4122420063PTC.....	D16	N412242408SSC.....	E23	N412302010C.....	D11
N412202008SS1PTC.....	E27	N412242006C.....	D10	N412242408WC.....	D14	N412302010CLG.....	D11
N412202008SSA1PTC.....	E28	N412242006CLG.....	D10	N412242408WCLG.....	D14	N412302406WC.....	D14
N412202008SSAC.....	E22	N412242006WC.....	D14	N412242408WSSC.....	E26	N412302406WCLG.....	D14
N412202008SSC.....	E22	N412242006WCLG.....	D14	N412242410C.....	D11	N412302406WSSC.....	E25
N412202008WC.....	D14	N412242006WSSC.....	E25	N412242410CLG.....	D11	N4123024083PTC.....	D17
N412202008WCLG.....	D14	N4122420083PTC.....	D16	N412242410CST.....	D18	N412302408C.....	D11
N412202008WSSC.....	E25	N412242008C.....	D10	N412242410SSAC.....	E23	N412302408CLG.....	D11
N412202010C.....	D11	N412242008CLG.....	D10	N412242410SSC.....	E23	N412302408CSSST.....	E30
N412202010CLG.....	D11	N412242008CSSST.....	E30	N412242410WC.....	D14	N412302408CST.....	D18
N412202010SSAC.....	E23	N412242008CST.....	D18	N412242410WCLG.....	D14	N412302408SS3PTC.....	E27
N412202010SSC.....	E23	N412242008SS3PTC.....	E27	N412242410WSSC.....	E26	N412302408SSA3PTC.....	E28
N412202010WC.....	D14	N412242008SSA3PTC.....	E28	N4122424123PTC.....	D17	N412302408SSAC.....	E23
N412202010WCLG.....	D14	N412242008SSAC.....	E23	N412242412C.....	D11	N412302408SSC.....	E23
N412202010WSSC.....	E26	N412242008SSC.....	E23	N412242412CLG.....	D11	N412302408WC.....	D14
N4122020121PTC.....	D17	N412242008WC.....	D14	N412242412CSSST.....	E30	N412302408WCLG.....	D14
N412202012C.....	D11	N412242008WCLG.....	D14	N412242412CST.....	D18	N412302408WSSC.....	E26
N412202012CLG.....	D11	N412242008WSSC.....	E25	N412242412SS3PTC.....	E28	N412302410C.....	D11
N412202012CSSST.....	E30	N412242010C.....	D11	N412242412SSA3PTC.....	E28	N412302410CLG.....	D11
N412202012SS1PTC.....	E28	N412242010CLG.....	D11	N412242412SSAC.....	E23	N412302410CST.....	D18
N412202012SSA1PTC.....	E28	N412242010SSAC.....	E23	N412242412SSC.....	E23	N412302410SSAC.....	E23
N412202012SSAC.....	E23	N412242010SSC.....	E23	N412242412WC.....	D14	N412302410SSC.....	E23
N412202012SSC.....	E23	N412242010WC.....	D14	N412242412WCLG.....	D14	N412302410WC.....	D14
N412202012WC.....	D14	N412242010WCLG.....	D14	N412242412WSSC.....	E26	N412302410WCLG.....	D14
N412202012WCLG.....	D14	N412242010WSSC.....	E26	N4122424163PTC.....	D17	N412302410WSSC.....	E26
N412202012WSSC.....	E26	N4122420123PTC.....	D17	N412242416C.....	D11	N4123024123PTC.....	D17
N412202208CD.....	G7	N412242012C.....	D11	N412242416CLG.....	D11	N412302412C.....	D11
N412202208CDSS.....	G7	N412242012CLG.....	D11	N412242416WC.....	D14	N412302412CLG.....	D11
N412202208CDSSA.....	G7	N412242012WC.....	D14	N412242416WCLG.....	D14	N412302412CSSST.....	E30
N412202208CSTD.....	G9	N412242012WCLG.....	D14	N412242416WSSC.....	E26	N412302412CST.....	D18
N4122024081PTC.....	D16	N412242012WSSC.....	E26	N4122424203PTC.....	D17	N412302412SS3PTC.....	E28

PART NUMBER	PAGE	PART NUMBER	PAGE	PART NUMBER	PAGE	PART NUMBER	PAGE
N412302412SSA3PTC.....	E28	N412362412SSA3PTC.....	E28	N4123636123PTC.....	D17	N412483616C.....	D11
N412302412SSAC.....	E23	N412362412SSAC.....	E23	N412363612C.....	D11	N412483616CLG.....	D11
N412302412SSC.....	E23	N412362412SSC.....	E23	N412363612CLG.....	D11	N412483616CSSST.....	E30
N412302412WC.....	D14	N412362608CD.....	G7	N412363612CSSST.....	E30	N412483616CST.....	D19
N412302412WCLG.....	D14	N412362608CDSS.....	G7	N412363612CST.....	D19	N412483812CD.....	G7
N412302412WSSC.....	E26	N412362608CDSSA.....	G7	N412363612SS3PTC.....	E28	N412483812CDSS.....	G7
N4123024203PTC.....	D17	N4123630083PTC.....	D17	N412363612SSA3PTC.....	E28	N412483812CDSSA.....	G7
N412302420C.....	D11	N412363008C.....	D11	N412363612SSAC.....	E23	N412483812CSTD.....	G9
N412302420CLG.....	D11	N412363008CLG.....	D11	N412363612SSC.....	E23	N412483816CSSSTD.....	G9
N412302420CST.....	D19	N412363008CSSST.....	E30	N4124024123PTC.....	D17	N412603610C.....	D11
N412302420WC.....	D14	N412363008CST.....	D18	N412402412C.....	D11	N412603610CLG.....	D11
N412302420WCLG.....	D14	N412363008SS3PTC.....	E28	N412402412CLG.....	D11	N412603610SSAC.....	E23
N412302420WSSC.....	E26	N412363008SSA3PTC.....	E28	N412423212CD.....	G7	N412603610SSC.....	E23
N412302608CD.....	G7	N412363008SSAC.....	E23	N412423212CDSS.....	G7	N4126036123PTC.....	D17
N412302608CDSS.....	G7	N412363008SSC.....	E23	N412423212CDSSA.....	G7	N412603612C.....	D11
N412302608CDSSA.....	G7	N412363010C.....	D11	N412423212CSTD.....	G9	N412603612CLG.....	D11
N412302608CSSSTD.....	G9	N412363010CLG.....	D11	N412423610C.....	D11	N412603612CST.....	D19
N412302608CSTD.....	G9	N412363010CST.....	D18	N412423610CLG.....	D11	N412603612SS3PTC.....	E28
N4123030083PTC.....	D17	N412363010SSAC.....	E23	N412423610SSAC.....	E23	N412603612SSA3PTC.....	E28
N412303008C.....	D11	N412363010SSC.....	E23	N412423610SSC.....	E23	N412603612SSAC.....	E23
N412303008CLG.....	D11	N4123630123PTC.....	D17	N4124236123PTC.....	D17	N412603612SSC.....	E23
N412303008CSSST.....	E30	N412363012C.....	D11	N412423612C.....	D11	N412603616CSSST.....	E30
N412303008CST.....	D18	N412363012CLG.....	D11	N412423612CLG.....	D11	N412603812CD.....	G7
N412303008SS3PTC.....	E27	N412363012CSSST.....	E30	N412423612SS3PTC.....	E28	N412603812CDSS.....	G7
N412303008SSA3PTC.....	E28	N412363012CST.....	D18	N412423612SSA3PTC.....	E28	N412603812CDSSA.....	G7
N412303008SSAC.....	E23	N412363012SS3PTC.....	E28	N412423612SSAC.....	E23	N412603812CSTD.....	G9
N412303008SSC.....	E23	N412363012SSA3PTC.....	E28	N412423612SSC.....	E23	N412603816CSSSTD.....	G9
N412303010C.....	D11	N412363012SSAC.....	E23	N412423812CD.....	G7	N412MFK.....	L8
N412303010CLG.....	D11	N412363012SSC.....	E23	N412423812CDSS.....	G7	N412MFKSS.....	L8
N412303010SSAC.....	E23	N4123630163PTC.....	D17	N412423812CDSSA.....	G7	N4161206.....	D20
N412303010SSC.....	E23	N412363016C.....	D11	N412482410C.....	D11	N4161208.....	D20
N4123030123PTC.....	D17	N412363016CLG.....	D11	N412482410CLG.....	D11	N4161606.....	D20
N412303012C.....	D11	N412363016CSSST.....	E30	N4124824123PTC.....	D17	N4162006.....	D20
N412303012CLG.....	D11	N412363016CST.....	D19	N412482412C.....	D11	N4201606.....	D20
N4123624083PTC.....	D17	N4123630203PTC.....	D17	N412482412CLG.....	D11	N4201608.....	D20
N412362408C.....	D11	N412363020C.....	D11	N412483610C.....	D11	N4201610.....	D21
N412362408CLG.....	D11	N412363020CLG.....	D11	N412483610CLG.....	D11	N4202006.....	D20
N412362408SS3PTC.....	E27	N412363208CD.....	G7	N412483610CST.....	D18	N4202008.....	D20
N412362408SSA3PTC.....	E28	N412363208CDSS.....	G7	N412483610SSAC.....	E23	N4202408.....	D20
N412362408SSAC.....	E23	N412363208CDSSA.....	G7	N412483610SSC.....	E23	N4241206.....	D20
N412362408SSC.....	E23	N412363208CSSSTD.....	G9	N4124836123PTC.....	D17	N4241606.....	D20
N412362410C.....	D11	N412363210CSTD.....	G9	N412483612C.....	D11	N4242006.....	D20
N412362410CLG.....	D11	N4123636083PTC.....	D17	N412483612CLG.....	D11	N4242008.....	D20
N412362410SSAC.....	E23	N412363608C.....	D11	N412483612CST.....	D19	N4242010.....	D21
N412362410SSC.....	E23	N412363608CLG.....	D11	N412483612SS3PTC.....	E28	N4242406.....	D20
N4123624123PTC.....	D17	N412363610C.....	D11	N412483612SSA3PTC.....	E28	N4242408.....	D20
N412362412C.....	D11	N412363610CLG.....	D11	N412483612SSAC.....	E23	N4243008.....	D21
N412362412CLG.....	D11	N412363610SSAC.....	E23	N412483612SSC.....	E23	N4302006.....	D20
N412362412SS3PTC.....	E28	N412363610SSC.....	E23	N4124836163PTC.....	D17	N4302008.....	D21

PART NUMBER	PAGE	PART NUMBER	PAGE	PART NUMBER	PAGE	PART NUMBER	PAGE
NP4824	K4	P0604	K2	P1614	K2	PBGX25	I20
NP4824C	K5	P0604AL	K2	P1614AL	K2	PBGX3	I20
NP4824CG	K5	P0604G	K2	P1614G	K2	PBGX4	I20
NP4824CPP	K5	P0604PP	K2	P1614PP	K2	PBGX6	I20
NP4824G	K4	P0604SS	K2	P1614SS	K2	PBGX9	I20
NP4830	K4	P0606	K2	PA0202	H3	PBSS1	E4
NP4830G	K4	P0606AL	K2	PA0202G	H3	PBSS12	E4
NP4836	K4	P0606G	K2	PA0404	H3	PBSS12A	E4
NP4836C	K5	P0606PP	K2	PA0404G	H3	PBSS1A	E4
NP4836CG	K5	P0606SS	K2	PA0606	H3	PBSS2	E4
NP4836CPP	K5	P0806	K2	PA0606G	H3	PBSS2A	E4
NP4836G	K4	P0806AL	K2	PA0808	H3	PBSS3	E4
NP4836PP	K4	P0806G	K2	PA0808G	H3	PBSS3A	E4
NP4836SS	K4	P0806PP	K2	PA1010	H3	PBSS4	E4
NP4836SSAC	K5	P0806SS	K2	PA1010G	H3	PBSS4A	E4
NP4836SSC	K5	P0808	K2	PA1212	H3	PBSS6	E4
NP5236CG	K5	P0808G	K2	PA1212G	H3	PBSS6A	E4
NP6030	K4	P0808PP	K2	PB1	I18	PBSS9	E4
NP6030G	K4	P1008	K2	PB10	I18	PBSS9A	E4
NP6036	K4	P1008AL	K2	PB10BC	I18	PBXD1	I22
NP6036C	K5	P1008G	K2	PB12	I18	PBXD10	I22
NP6036CG	K5	P1008PP	K2	PB12BC	I18	PBXD12	I22
NP6036CPP	K5	P1008SS	K2	PB16	I18	PBXD16	I22
NP6036G	K4	P1010	K2	PB16BC	I18	PBXD16SS	E6
NP6036PP	K4	P1010G	K2	PB1BC	I18	PBXD16V	I22
NP6036SS	K4	P1010PP	K2	PB2	I18	PBXD1SS	E6
NP6036SSAC	K5	P1206	K2	PB25	I18	PBXD2	I22
NP6036SSC	K5	P1206G	K2	PB25BC	I18	PBXD20	I22
NP7230	K4	P1206PP	K2	PB2BC	I18	PBXD25	I22
NP7230G	K4	P1210	K2	PB3	I18	PBXD2SS	E6
NP7236	K4	P1210AL	K2	PB3BC	I18	PBXD3	I22
NP7236G	K4	P1210G	K2	PB4	I18	PBXD3SS	E6
NPDD4242	K7	P1210PP	K2	PB4BC	I18	PBXD4	I22
NPDD4242G	K7	P1210SS	K2	PB4S	I18	PBXD4S	I22
NPDD4260	K7	P1212	K2	PB4SBC	I18	PBXD4SS	E6
NPDD4260G	K7	P1212G	K2	PB5	I18	PBXD6	I22
NPDD4842	K7	P1212PP	K2	PB5BC	I18	PBXD9	I22
NPDD4842G	K7	P1212SS	K2	PB6	I18	PBYX12	I26
NPDD4848	K7	P1408	K2	PB6BC	I18	PBYX16	I26
NPDD4848G	K7	P1408G	K2	PB6VL	I18	PBYX20	I26
NPDD5442	K7	P1408PP	K2	PB6VLBC	I18	PBYX25	I26
NPDD5442G	K7	P1412	K2	PB8	I18	PBYX30	I26
NPDD6048	K7	P1412AL	K2	PB8BC	I18	PBYX36	I26
NPDD6048G	K7	P1412G	K2	PB9	I18	PBYX42	I26
NPDD6060	K7	P1412PP	K2	PB9BC	I18	PBYX4S	I26
NPDD6060G	K7	P1412SS	K2	PBGX1	I20	PBYX6	I26
NPDD7260	K7	P1610	K2	PBGX12	I20	PBYX9	I26
NPDD7260G	K7	P1610G	K2	PBGX2	I20	PCSLW118	L19
NPDD7272	K7	P1610PP	K2	PBGX20	I20	PMKLRG	L7

PART NUMBER	PAGE	PART NUMBER	PAGE	PART NUMBER	PAGE	PART NUMBER	PAGE
PMKLRGSS.....	L7	RHPC115230V50W.....	M26	RSC081006G.....	B2	RSC121504GNK.....	B2
PMKSML.....	L7	RHPC115230V75W.....	M26	RSC081006GNK.....	B2	RSC121504NK.....	B2
PMKSMLSS.....	L7	RSC040404.....	B2	RSC081006NK.....	B2	RSC121504NKSS.....	E2
PSL1.....	I24	RSC040404G.....	B2	RSC081006NKSS.....	E2	RSC121506.....	B2
PSL2.....	I24	RSC040404GNK.....	B2	RSC081206.....	B2	RSC121506G.....	B2
PSL3.....	I24	RSC040404NK.....	B2	RSC081206G.....	B2	RSC121506GNK.....	B2
PSL4.....	I24	RSC040404NKSS.....	E2	RSC081206GNK.....	B2	RSC121506NK.....	B2
R0402.....	H3	RSC040604.....	B2	RSC081206NK.....	B2	RSC121506NKSS.....	E2
R0402G.....	H3	RSC040604G.....	B2	RSC081206NKSS.....	E2	RSC121806.....	B2
R0604.....	H3	RSC040604GNK.....	B2	RSC101004.....	B2	RSC121806G.....	B2
R0604G.....	H3	RSC040604NK.....	B2	RSC101004G.....	B2	RSC121806GNK.....	B2
R0806.....	H3	RSC040604NKSS.....	E2	RSC101004GNK.....	B2	RSC121806NK.....	B2
R0806G.....	H3	RSC060604.....	B2	RSC101004NK.....	B2	RSC121806NKSS.....	E2
R1008.....	H3	RSC060604G.....	B2	RSC101004NKSS.....	E2	RSC121808.....	B3
R1008G.....	H3	RSC060604GNK.....	B2	RSC101006.....	B2	RSC121808G.....	B3
R1208.....	H3	RSC060604NK.....	B2	RSC101006G.....	B2	RSC121808NKSS.....	E2
R1208G.....	H3	RSC060604NKSS.....	E2	RSC101006GNK.....	B2	RSC151806.....	B3
RH115230V100W.....	M26	RSC060606.....	B2	RSC101006NK.....	B2	RSC151806G.....	B3
RH115230V150W.....	M26	RSC060606G.....	B2	RSC101006NKSS.....	E2	RSC151806GNK.....	B3
RH115230V25W.....	M26	RSC060606GNK.....	B2	RSC101204.....	B2	RSC151806NK.....	B3
RH115230V50W.....	M26	RSC060606NK.....	B2	RSC101204G.....	B2	RSC151806NKSS.....	E2
RH115230V75W.....	M26	RSC060606NKSS.....	E2	RSC101204GNK.....	B2	RSC151808.....	B3
RHC060604.....	B5	RSC060804.....	B2	RSC101204NK.....	B2	RSC151808G.....	B3
RHC060804.....	B5	RSC060804G.....	B2	RSC101204NKSS.....	E2	RSC151808NKSS.....	E2
RHC080804.....	B5	RSC060804GNK.....	B2	RSC101206.....	B2	RSC161606GNK.....	B3
RHC080806.....	B5	RSC060804NK.....	B2	RSC101206G.....	B2	RSC161606NK.....	B3
RHC081006.....	B5	RSC060804NKSS.....	E2	RSC101206GNK.....	B2	RSC161610.....	B3
RHC101206.....	B5	RSC060806.....	B2	RSC101206NK.....	B2	RSC161610G.....	B3
RHC121206.....	B5	RSC060806G.....	B2	RSC101206NKSS.....	E2	RSC161610NKSS.....	E2
RHC161206.....	B7	RSC060806GNK.....	B2	RSC121204.....	B2	RSC181804.....	B2
RHC161606.....	B7	RSC060806NK.....	B2	RSC121204G.....	B2	RSC181804G.....	B2
RHC201606.....	B7	RSC060806NKSS.....	E2	RSC121204GNK.....	B2	RSC181804GNK.....	B2
RHC202008.....	B7	RSC080804.....	B2	RSC121204NK.....	B2	RSC181804NK.....	B2
RHC242008.....	B7	RSC080804G.....	B2	RSC121204NKSS.....	E2	RSC181804NKSS.....	E2
RHC242408.....	B7	RSC080804GNK.....	B2	RSC121206.....	B2	RSC181806.....	B3
RHC302408.....	B7	RSC080804NK.....	B2	RSC121206G.....	B2	RSC181806G.....	B3
RHC303012.....	B7	RSC080804NKSS.....	E2	RSC121206GNK.....	B2	RSC181806GNK.....	B3
RHC303016.....	B7	RSC080806.....	B2	RSC121206NK.....	B2	RSC181806NK.....	B3
RHC362412.....	B7	RSC080806G.....	B2	RSC121206NKSS.....	E2	RSC181806NKSS.....	E2
RHC363012.....	B7	RSC080806GNK.....	B2	RSC121208.....	B3	RSC181808.....	B3
RHC363612.....	B7	RSC080806NK.....	B2	RSC121208G.....	B3	RSC181808G.....	B3
RHC423012.....	B7	RSC080806NKSS.....	E2	RSC121208NK.....	B3	RSC181808NKSS.....	E2
RHC423612.....	B7	RSC080808NK.....	B3	RSC121208NKSS.....	E2	RSC181810NK.....	B3
RHC483612.....	B7	RSC081004.....	B2	RSC121210.....	B3	RSC181812NK.....	B3
RHC483616.....	B7	RSC081004G.....	B2	RSC121210G.....	B3	RSC182406.....	B3
RHC603612.....	B7	RSC081004GNK.....	B2	RSC121210NKSS.....	E2	RSC182406G.....	B3
RHPC115230V100W.....	M26	RSC081004NK.....	B2	RSC121212NK.....	B3	RSC182406GNK.....	B3
RHPC115230V150W.....	M26	RSC081004NKSS.....	E2	RSC121504.....	B2	RSC182406NK.....	B3
RHPC115230V25W.....	M26	RSC081006.....	B2	RSC121504G.....	B2	RSC182406NKSS.....	E2

PART NUMBER	PAGE	PART NUMBER	PAGE	PART NUMBER	PAGE	PART NUMBER	PAGE
RSC182408.....	B3	RSC363616NKSS.....	E2	RSCG0606120GNK.....	H18	RSCG080836.....	H19
RSC182408G.....	B3	RSC363618GNK.....	B3	RSCG0606120NK.....	H18	RSCG080836G.....	H19
RSC182408NKSS.....	E2	RSC363618NK.....	B3	RSCG060612G.....	H18	RSCG080836GNK.....	H19
RSC202408.....	B3	RSC364816.....	B3	RSCG060612GNK.....	H18	RSCG080836NK.....	H19
RSC202408G.....	B3	RSC364816G.....	B3	RSCG060612NK.....	H18	RSCG080848.....	H19
RSC202408NKSS.....	E2	RSC364816NKSS.....	E2	RSCG060618.....	H18	RSCG080848G.....	H19
RSC242406.....	B3	RSC484812GNK.....	B3	RSCG060618G.....	H18	RSCG080848GNK.....	H19
RSC242406G.....	B3	RSC484812NK.....	B3	RSCG060618GNK.....	H18	RSCG080848NK.....	H19
RSC242406GNK.....	B3	RSC484818GNK.....	B3	RSCG060618NK.....	H18	RSCG080860.....	H19
RSC242406NK.....	B3	RSC484818NK.....	B3	RSCG060624.....	H18	RSCG080860G.....	H19
RSC242406NKSS.....	E2	RSCG040412.....	H18	RSCG060624G.....	H18	RSCG080860GNK.....	H19
RSC242408.....	B3	RSCG0404120.....	H18	RSCG060624GNK.....	H18	RSCG080860NK.....	H19
RSC242408G.....	B3	RSCG0404120G.....	H18	RSCG060624NK.....	H18	RSCG080872.....	H19
RSC242408NKSS.....	E2	RSCG0404120GNK.....	H18	RSCG060636.....	H18	RSCG080872G.....	H19
RSC242410GNK.....	B3	RSCG0404120NK.....	H18	RSCG060636G.....	H18	RSCG080872GNK.....	H19
RSC242410NK.....	B3	RSCG040412G.....	H18	RSCG060636GNK.....	H18	RSCG080872NK.....	H19
RSC242412.....	B3	RSCG040412GNK.....	H18	RSCG060636NK.....	H18	RSCG080896.....	H19
RSC242412G.....	B3	RSCG040412NK.....	H18	RSCG060648.....	H18	RSCG080896G.....	H19
RSC242412NKSS.....	E2	RSCG040418.....	H18	RSCG060648G.....	H18	RSCG080896GNK.....	H19
RSC242416.....	B3	RSCG040418G.....	H18	RSCG060648GNK.....	H18	RSCG080896NK.....	H19
RSC242416G.....	B3	RSCG040418GNK.....	H18	RSCG060648NK.....	H18	RSCG1010120.....	H19
RSC242416NKSS.....	E2	RSCG040418NK.....	H18	RSCG060660.....	H18	RSCG1010120G.....	H19
RSC243008.....	B3	RSCG040424.....	H18	RSCG060660G.....	H18	RSCG1010120GNK.....	H19
RSC243008G.....	B3	RSCG040424G.....	H18	RSCG060660GNK.....	H18	RSCG1010120NK.....	H19
RSC243008NKSS.....	E2	RSCG040424GNK.....	H18	RSCG060660NK.....	H18	RSCG101018.....	H19
RSC243612.....	B3	RSCG040424NK.....	H18	RSCG060672.....	H18	RSCG101018G.....	H19
RSC243612G.....	B3	RSCG040436.....	H18	RSCG060672G.....	H18	RSCG101018GNK.....	H19
RSC243612NKSS.....	E2	RSCG040436G.....	H18	RSCG060672GNK.....	H18	RSCG101018NK.....	H19
RSC303008NK.....	B3	RSCG040436GNK.....	H18	RSCG060672NK.....	H18	RSCG101024.....	H19
RSC303010.....	B3	RSCG040436NK.....	H18	RSCG060696.....	H18	RSCG101024G.....	H19
RSC303012.....	B3	RSCG040448.....	H18	RSCG060696G.....	H18	RSCG101024GNK.....	H19
RSC303012G.....	B3	RSCG040448G.....	H18	RSCG060696GNK.....	H18	RSCG101024NK.....	H19
RSC303012NKSS.....	E2	RSCG040448GNK.....	H18	RSCG060696NK.....	H18	RSCG101036.....	H19
RSC303016.....	B3	RSCG040448NK.....	H18	RSCG080812.....	H18	RSCG101036G.....	H19
RSC303016G.....	B3	RSCG040460.....	H18	RSCG0808120.....	H19	RSCG101036GNK.....	H19
RSC303016NKSS.....	E2	RSCG040460G.....	H18	RSCG0808120G.....	H19	RSCG101036NK.....	H19
RSC303610NK.....	B3	RSCG040460GNK.....	H18	RSCG0808120GNK.....	H19	RSCG101048.....	H19
RSC303612.....	B3	RSCG040460NK.....	H18	RSCG0808120NK.....	H19	RSCG101048G.....	H19
RSC303612G.....	B3	RSCG040472.....	H18	RSCG080812G.....	H18	RSCG101048GNK.....	H19
RSC303612NKSS.....	E2	RSCG040472G.....	H18	RSCG080812GNK.....	H18	RSCG101048NK.....	H19
RSC363608GNK.....	B3	RSCG040472GNK.....	H18	RSCG080812NK.....	H18	RSCG101060.....	H19
RSC363608NK.....	B3	RSCG040472NK.....	H18	RSCG080818.....	H18	RSCG101060G.....	H19
RSC363610GNK.....	B3	RSCG040496.....	H18	RSCG080818G.....	H18	RSCG101060GNK.....	H19
RSC363610NK.....	B3	RSCG040496G.....	H18	RSCG080818GNK.....	H18	RSCG101060NK.....	H19
RSC363612.....	B3	RSCG040496GNK.....	H18	RSCG080818NK.....	H18	RSCG101072.....	H19
RSC363612G.....	B3	RSCG040496NK.....	H18	RSCG080824.....	H18	RSCG101072G.....	H19
RSC363612NKSS.....	E2	RSCG060612.....	H18	RSCG080824G.....	H18	RSCG101072GNK.....	H19
RSC363616.....	B3	RSCG0606120.....	H18	RSCG080824GNK.....	H18	RSCG101072NK.....	H19
RSC363616G.....	B3	RSCG0606120G.....	H18	RSCG080824NK.....	H18	RSCG101096.....	H19

PART NUMBER	PAGE	PART NUMBER	PAGE	PART NUMBER	PAGE	PART NUMBER	PAGE
RSCG101096G.....	H19	S101036GNK.....	H2	S2224NK.....	H2	S4472.....	H2
RSCG101096GNK.....	H19	S101036NK.....	H2	S2236.....	H2	S4472G.....	H2
RSCG101096NK.....	H19	S101048.....	H2	S2236G.....	H2	S4472GNK.....	H2
RSCG1212120.....	H19	S101048G.....	H2	S2236GNK.....	H2	S4472NK.....	H2
RSCG1212120G.....	H19	S101048GNK.....	H2	S2236NK.....	H2	S4496.....	H2
RSCG1212120GNK.....	H19	S101048NK.....	H2	S2248.....	H2	S4496G.....	H2
RSCG1212120NK.....	H19	S101060.....	H2	S2248G.....	H2	S4496GNK.....	H2
RSCG121218.....	H19	S101060G.....	H2	S2248GNK.....	H2	S4496NK.....	H2
RSCG121218G.....	H19	S101060GNK.....	H2	S2248NK.....	H2	S6606.....	H2
RSCG121218GNK.....	H19	S101060NK.....	H2	S2260.....	H2	S6606NK.....	H2
RSCG121218NK.....	H19	S101072.....	H2	S2260G.....	H2	S6612.....	H2
RSCG121224.....	H19	S101072G.....	H2	S2260GNK.....	H2	S66120.....	H2
RSCG121224G.....	H19	S101072GNK.....	H2	S2260NK.....	H2	S66120G.....	H2
RSCG121224GNK.....	H19	S101072NK.....	H2	S2272.....	H2	S66120GNK.....	H2
RSCG121224NK.....	H19	S101096.....	H2	S2272G.....	H2	S66120NK.....	H2
RSCG121236.....	H19	S101096G.....	H2	S2272GNK.....	H2	S6612G.....	H2
RSCG121236G.....	H19	S101096GNK.....	H2	S2272NK.....	H2	S6612GNK.....	H2
RSCG121236GNK.....	H19	S101096NK.....	H2	S2296.....	H2	S6612NK.....	H2
RSCG121236NK.....	H19	S1212120GNK.....	H2	S2296G.....	H2	S6618.....	H2
RSCG121248.....	H19	S1212120NK.....	H2	S2296GNK.....	H2	S6618NK.....	H2
RSCG121248G.....	H19	S121212GNK.....	H2	S2296NK.....	H2	S6624.....	H2
RSCG121248GNK.....	H19	S121212NK.....	H2	S4406.....	H2	S6624G.....	H2
RSCG121248NK.....	H19	S121224GNK.....	H2	S4406NK.....	H2	S6624GNK.....	H2
RSCG121260.....	H19	S121224NK.....	H2	S4412.....	H2	S6624NK.....	H2
RSCG121260G.....	H19	S121236GNK.....	H2	S44120.....	H2	S6636.....	H2
RSCG121260GNK.....	H19	S121236NK.....	H2	S44120G.....	H2	S6636G.....	H2
RSCG121260NK.....	H19	S121248GNK.....	H2	S44120GNK.....	H2	S6636GNK.....	H2
RSCG121272.....	H19	S121248NK.....	H2	S44120NK.....	H2	S6636NK.....	H2
RSCG121272G.....	H19	S121260GNK.....	H2	S4412G.....	H2	S6648.....	H2
RSCG121272GNK.....	H19	S121260NK.....	H2	S4412GNK.....	H2	S6648G.....	H2
RSCG121272NK.....	H19	S121272GNK.....	H2	S4412NK.....	H2	S6648GNK.....	H2
RSCG121296.....	H19	S121272NK.....	H2	S4418.....	H2	S6648NK.....	H2
RSCG121296G.....	H19	S121296GNK.....	H2	S4418NK.....	H2	S6660.....	H2
RSCG121296GNK.....	H19	S121296NK.....	H2	S4424.....	H2	S6660G.....	H2
RSCG121296NK.....	H19	S2206.....	H2	S4424G.....	H2	S6660GNK.....	H2
S101012.....	H2	S2206NK.....	H2	S4424GNK.....	H2	S6660NK.....	H2
S1010120.....	H2	S2212.....	H2	S4424NK.....	H2	S6672.....	H2
S1010120G.....	H2	S22120.....	H2	S4436.....	H2	S6672G.....	H2
S1010120GNK.....	H2	S22120G.....	H2	S4436G.....	H2	S6672GNK.....	H2
S1010120NK.....	H2	S22120GNK.....	H2	S4436GNK.....	H2	S6672NK.....	H2
S101012G.....	H2	S22120NK.....	H2	S4436NK.....	H2	S6696.....	H2
S101012GNK.....	H2	S2212G.....	H2	S4448.....	H2	S6696G.....	H2
S101012NK.....	H2	S2212GNK.....	H2	S4448G.....	H2	S6696GNK.....	H2
S101024.....	H2	S2212NK.....	H2	S4448GNK.....	H2	S6696NK.....	H2
S101024G.....	H2	S2218.....	H2	S4448NK.....	H2	S8806.....	H2
S101024GNK.....	H2	S2218NK.....	H2	S4460.....	H2	S8806NK.....	H2
S101024NK.....	H2	S2224.....	H2	S4460G.....	H2	S8812.....	H2
S101036.....	H2	S2224G.....	H2	S4460GNK.....	H2	S88120.....	H2
S101036G.....	H2	S2224GNK.....	H2	S4460NK.....	H2	S88120G.....	H2

PART NUMBER	PAGE	PART NUMBER	PAGE	PART NUMBER	PAGE	PART NUMBER	PAGE
S88120GNK	H2	SC060606G	A3	SC0812	A5	SC121212G	A4
S88120NK	H2	SC060606GNK	A3	SC081204	A2	SC121212GNK	A4
S8812G	H2	SC060606NK	A3	SC081204G	A2	SC121212NK	A4
S8812GNK	H2	SC0606G	A5	SC081204GNK	A2	SC1212G	A5
S8812NK	H2	SC0608	A5	SC081204NK	A2	SC1215	A5
S8818	H2	SC060804	A2	SC081206	A3	SC121504	A2
S8818NK	H2	SC060804G	A2	SC081206G	A3	SC121504G	A2
S8824	H2	SC060804GNK	A2	SC081206GNK	A3	SC121504GNK	A2
S8824G	H2	SC060804NK	A2	SC081206NK	A3	SC121504NK	A2
S8824GNK	H2	SC060806	A3	SC0812G	A5	SC121506	A3
S8824NK	H2	SC060806G	A3	SC1010	A5	SC121506G	A3
S8836	H2	SC060806GNK	A3	SC101004	A2	SC121506GNK	A3
S8836G	H2	SC060806NK	A3	SC101004G	A2	SC121506NK	A3
S8836GNK	H2	SC0608G	A5	SC101004GNK	A2	SC1215G	A5
S8836NK	H2	SC061004	A2	SC101004NK	A2	SC1216	A5
S8848	H2	SC0612	A5	SC101006	A3	SC121604NK	A2
S8848G	H2	SC061204	A2	SC101006G	A3	SC121608	A4
S8848GNK	H2	SC061204G	A2	SC101006GNK	A3	SC121608G	A4
S8848NK	H2	SC061204GNK	A2	SC101006NK	A3	SC121608GNK	A4
S8860	H2	SC061204NK	A2	SC101008	A4	SC121608NK	A4
S8860G	H2	SC061206	A3	SC1010G	A5	SC1216G	A5
S8860GNK	H2	SC061206G	A3	SC1012	A5	SC1218	A5
S8860NK	H2	SC061206GNK	A3	SC101204	A2	SC121804	A3
S8872	H2	SC061206NK	A3	SC101204G	A2	SC121804G	A3
S8872G	H2	SC0612G	A5	SC101204GNK	A2	SC121804GNK	A3
S8872GNK	H2	SC0808	A5	SC101204NK	A2	SC121804NK	A3
S8872NK	H2	SC080804	A2	SC101206	A3	SC121806	A3
S8896	H2	SC080804G	A2	SC101206G	A3	SC121806G	A3
S8896G	H2	SC080804GNK	A2	SC101206GNK	A3	SC121806GNK	A3
S8896GNK	H2	SC080804NK	A2	SC101206NK	A3	SC121806NK	A3
S8896NK	H2	SC080806	A3	SC1012G	A5	SC121808	A4
SC0404	A5	SC080806G	A3	SC1212	A5	SC121808G	A4
SC040404	A2	SC080806GNK	A3	SC121204	A2	SC121808GNK	A4
SC040404G	A2	SC080806NK	A3	SC121204G	A2	SC121808NK	A4
SC040404GNK	A2	SC080808	A4	SC121204GNK	A2	SC121810	A4
SC040404NK	A2	SC080808G	A4	SC121204NK	A2	SC121810G	A4
SC0404G	A5	SC080808GNK	A4	SC121206	A3	SC121810GNK	A4
SC0406	A5	SC080808NK	A4	SC121206G	A3	SC121810NK	A4
SC040604	A2	SC0808G	A5	SC121206GNK	A3	SC1218G	A5
SC040604G	A2	SC0810	A5	SC121206NK	A3	SC1224	A5
SC040604GNK	A2	SC081004	A2	SC121208	A4	SC122404	A3
SC040604NK	A2	SC081004G	A2	SC121208G	A4	SC122404G	A3
SC0406G	A5	SC081004GNK	A2	SC121208GNK	A4	SC122404GNK	A3
SC0606	A5	SC081004NK	A2	SC121208NK	A4	SC122404NK	A3
SC060604	A2	SC081006	A3	SC121210	A4	SC122406	A3
SC060604G	A2	SC081006G	A3	SC121210G	A4	SC122406G	A3
SC060604GNK	A2	SC081006GNK	A3	SC121210GNK	A4	SC122406GNK	A3
SC060604NK	A2	SC081006NK	A3	SC121210NK	A4	SC122406NK	A3
SC060606	A3	SC0810G	A5	SC121212	A4	SC122408	A4

PART NUMBER	PAGE	PART NUMBER	PAGE	PART NUMBER	PAGE	PART NUMBER	PAGE
SC122408G	A4	SC181808	A4	SC242406NK	A4	SC303010NK	A4
SC122408GNK	A4	SC181808G	A4	SC242408	A4	SC303012GNK	A5
SC122408NK	A4	SC181808GNK	A4	SC242408G	A4	SC303012NK	A5
SC122410	A4	SC181808NK	A4	SC242408GNK	A4	SC30303G	A5
SC122410G	A4	SC181810	A4	SC242408NK	A4	SC303608GNK	A4
SC122410GNK	A4	SC181810G	A4	SC242410	A4	SC303608NK	A4
SC122410NK	A4	SC181810GNK	A4	SC242410G	A4	SC303610GNK	A4
SC122412	A5	SC181810NK	A4	SC242410GNK	A4	SC303610NK	A4
SC122412G	A5	SC181812	A4	SC242410NK	A4	SC303612GNK	A5
SC122412GNK	A5	SC181812G	A4	SC242412	A5	SC303612NK	A5
SC122412NK	A5	SC181812GNK	A4	SC242412G	A5	SC3636	A5
SC1224G	A5	SC181812NK	A4	SC242412GNK	A5	SC363606GNK	A4
SC1515	A5	SC1818G	A5	SC242412NK	A5	SC363606NK	A4
SC151504	A3	SC1824	A5	SC242418NK	A4	SC363608GNK	A4
SC151504G	A3	SC182404	A3	SC2424G	A5	SC363608NK	A4
SC151504GNK	A3	SC182404G	A3	SC243006	A4	SC363610GNK	A4
SC151504NK	A3	SC182404GNK	A3	SC243006G	A4	SC363610NK	A4
SC151506	A4	SC182404NK	A3	SC243006GNK	A4	SC363612GNK	A4
SC151506G	A4	SC182406	A4	SC243006NK	A4	SC363612NK	A4
SC151506GNK	A4	SC182406G	A4	SC243008	A4	SC363618GNK	A4
SC151506NK	A4	SC182406GNK	A4	SC243008G	A4	SC363618NK	A4
SC1515G	A5	SC182406NK	A4	SC243008GNK	A4	SC3636G	A5
SC1518	A5	SC182408	A4	SC243008NK	A4	SC4848	A5
SC151804	A3	SC182408G	A4	SC243010	A4	SC484808NK	A4
SC151804G	A3	SC182408GNK	A4	SC243010G	A4	SC484812GNK	A4
SC151804GNK	A3	SC182408NK	A4	SC243010GNK	A4	SC484812NK	A4
SC151804NK	A3	SC182410	A4	SC243010NK	A4	SC484818GNK	A4
SC151806	A4	SC182410G	A4	SC243012	A5	SC484818NK	A4
SC151806G	A4	SC182410GNK	A4	SC243012G	A5	SC4848G	A5
SC151806GNK	A4	SC182410NK	A4	SC243012GNK	A5	SCF0404	A5
SC151806NK	A4	SC182412	A4	SC243012NK	A5	SCF0404G	A5
SC1518G	A5	SC182412G	A4	SC243608	A4	SCF0406	A5
SC1616	A5	SC182412GNK	A4	SC243608G	A4	SCF0406G	A5
SC161604	A3	SC182412NK	A4	SC243608GNK	A4	SCF0606	A5
SC161604G	A3	SC1824G	A5	SC243608NK	A4	SCF0606G	A5
SC161604GNK	A3	SC1830	A5	SC243610	A4	SCF0608	A5
SC161604NK	A3	SC183004	A3	SC243610G	A4	SCF0608G	A5
SC161606GNK	A4	SC183004G	A3	SC243610GNK	A4	SCF0612	A5
SC161606NK	A4	SC183004GNK	A3	SC243610NK	A4	SCF0612G	A5
SC1616G	A5	SC183004NK	A3	SC243612	A4	SCF0808	A5
SC1818	A5	SC1830G	A5	SC243612G	A4	SCF0808G	A5
SC181804	A3	SC2424	A5	SC243612GNK	A5	SCF0810	A5
SC181804G	A3	SC242404	A3	SC243612NK	A5	SCF0810G	A5
SC181804GNK	A3	SC242404G	A3	SC3030	A5	SCF0812	A5
SC181804NK	A3	SC242404GNK	A3	SC303006GNK	A4	SCF0812G	A5
SC181806	A4	SC242404NK	A3	SC303006NK	A4	SCF1010	A5
SC181806G	A4	SC242406	A4	SC303008GNK	A4	SCF1010G	A5
SC181806GNK	A4	SC242406G	A4	SC303008NK	A4	SCF1012	A5
SC181806NK	A4	SC242406GNK	A4	SC303010GNK	A4	SCF1012G	A5

PART NUMBER	PAGE	PART NUMBER	PAGE	PART NUMBER	PAGE	PART NUMBER	PAGE
SCF1212	A5	SDN12302510	G4	SL060690	H3	SSJW63	H16
SCF1212G	A5	SDN12302510PL	G4	SL060690G	H3	SSJW64	H16
SCF1215	A5	SDN12302612	G4	SL080890	H3	SSJW65	H16
SCF1215G	A5	SDN12302612PL	G4	SL080890G	H3	SSJWA4	H16
SCF1216	A5	SDN12362508	G4	SL101090	H3	SSJWA6	H16
SCF1216G	A5	SDN12362508PL	G4	SL101090G	H3	SSJWBH4	H16
SCF1218	A5	SDN12362510	G4	SL121290	H3	SSJWBH6	H16
SCF1218G	A5	SDN12362510PL	G4	SL121290G	H3	SSJWD4	H16
SCF1224	A5	SDN12363108	G4	SL24265VMS	L19	SSJWD6	H16
SCF1224G	A5	SDN12363108PL	G4	SL24265VMS	L19	SSJWE4	H16
SCF1515	A5	SDN12363110	G4	SL24265VOOS	L19	SSJWE6	H16
SCF1515G	A5	SDN12363110PL	G4	SL24265VOOS	L19	SSJWFF4	H16
SCF1518	A5	SDN12363116	G4	SN4242108	G10	SSJWFF6	H16
SCF1518G	A5	SDN12363116PL	G4	SN4242508	G10	SSJWG44	H16
SCF1616	A5	SDN12363212	G4	SN4302508	G10	SSJWG66	H16
SCF1616G	A5	SDN12363212PL	G4	SN4363108	G10	SSJWL454	H16
SCF1818	A5	SDN12423108	G4	SN4423112	G10	SSJWL456	H16
SCF1818G	A5	SDN12423108PL	G4	SN4423712	G10	SSJWL904	H16
SCF1824	A5	SDN12423110	G4	SN4483712	G10	SSJWL906	H16
SCF1824G	A5	SDN12423110PL	G4	SN4603712	G10	SSJWN446	H16
SCF1830	A5	SDN12423212	G4	SSDK12	L4	SSJWN666	H16
SCF1830G	A5	SDN12423212PL	G4	SSDK16	L4	SSJWRB64C	H16
SCF2424	A5	SDN12423708	G4	SSDK20	L4	SSJWRB64E	H16
SCF2424G	A5	SDN12423708PL	G4	SSDK24	L4	SSJWS4	H16
SCF3030	A5	SDN12423710	G4	SSDK30	L4	SSJWS6	H16
SCF3030G	A5	SDN12423710PL	G4	SSDK36	L4	SSJWT4	H16
SCF3636	A5	SDN12423812	G4	SSFK0608	L12	SSJWT6	H16
SCF3636G	A5	SDN12423812PL	G4	SSFK0610	L12	SSN4161206	E34
SCF4848	A5	SDN12483708	G4	SSFK0612	L12	SSN4161206A	E34
SCF4848G	A5	SDN12483708PL	G4	SSFK0618	L12	SSN4161208	E34
SDLS	L19	SDN12483710	G4	SSFK0624	L12	SSN4161208A	E34
SDN12202108	G4	SDN12483710PL	G4	SSFK1208	L12	SSN4161606	E34
SDN12202108PL	G4	SDN12483812	G4	SSFK1210	L12	SSN4161606A	E34
SDN12202110	G4	SDN12483812PL	G4	SSFK1212	L12	SSN4162006	E34
SDN12202110PL	G4	SDN12483816	G4	SSFK1216	L12	SSN4162006A	E34
SDN12242108	G4	SDN12483816PL	G4	SSFK1218	L12	SSN4201606	E34
SDN12242108PL	G4	SDN12603710	G4	SSFK1220	L12	SSN4201606A	E34
SDN12242110	G4	SDN12603710PL	G4	SSFK1224	L12	SSN4201608	E34
SDN12242110PL	G4	SDN12603808	G4	SSFK2410	L12	SSN4201608A	E34
SDN12242508	G4	SDN12603808PL	G4	SSFK2412	L12	SSN4201610	E35
SDN12242508PL	G4	SDN12603812	G4	SSJW41	H16	SSN4201610A	E35
SDN12242510	G4	SDN12603812A	G4	SSJW410	H16	SSN4202006	E34
SDN12242510PL	G4	SDN12603812PL	G4	SSJW42	H16	SSN4202006A	E34
SDN12302108	G4	SDN12603816	G4	SSJW43	H16	SSN4202008A	E34
SDN12302108PL	G4	SDN12603816PL	G4	SSJW44	H16	SSN4202408	E34
SDN12302110	G4	SL020290	H3	SSJW45	H16	SSN4202408A	E34
SDN12302110PL	G4	SL020290G	H3	SSJW61	H16	SSN4241608	E34
SDN12302508	G4	SL040490	H3	SSJW610	H16	SSN4241608A	E34
SDN12302508PL	G4	SL040490G	H3	SSJW62	H16	SSN4242006	E34

PART NUMBER	PAGE	PART NUMBER	PAGE	PART NUMBER	PAGE	PART NUMBER	PAGE
SSN42420063PT	E38	SSN43624083PT	E38	SSN4603612A	E35	T1212	H3
SSN4242006A	E34	SSN43624083PTA	E38	SSN4603616	E35	T121224CH	H20
SSN4242008	E34	SSN4362408A	E35	SSN4603616A	E35	T121236CH	H20
SSN42420083PT	E38	SSN4362410	E35	SSN4D624812	E42	T121248CH	H20
SSN42420083PTA	E38	SSN4362410A	E35	SSN4D6248123PT	E46	T121260CH	H20
SSN4242008A	E34	SSN4363008	E35	SSN4D6248123PTA	E46	T1212G	H3
SSN4242010	E35	SSN43630083PT	E38	SSN4D6248183PT	E46	T2212CH	H20
SSN42420103PT	E38	SSN43630083PTA	E38	SSN4D6248183PTA	E46	T2218CH	H20
SSN42420103PTA	E38	SSN4363008A	E35	SSN4D626012	E42	T2224CH	H20
SSN4242010A	E35	SSN4363010	E35	SSN4D6260123PT	E46	T2236CH	H20
SSN4242406	E34	SSN43630103PT	E38	SSN4D6260123PTA	E46	T2248CH	H20
SSN4242406A	E34	SSN43630103PTA	E38	SSN4D746012	E42	T2260CH	H20
SSN4242408	E34	SSN4363010A	E35	SSN4D7460123PT	E46	T2272CH	H20
SSN42424083PT	E38	SSN4363012	E35	SSN4D7460123PTA	E46	T4412CH	H20
SSN42424083PTA	E38	SSN43630123PT	E38	SSN4D747212	E42	T4418CH	H20
SSN42424083PTW	E40	SSN43630123PTA	E38	SSN4D7472123PT	E46	T4424CH	H20
SSN4242408A	E34	SSN43630123PTW	E40	SSN4D7472123PTA	E46	T4430CH	H20
SSN4242412	E35	SSN4363012A	E35	SSN4D747224	E42	T4436CH	H20
SSN42424123PT	E38	SSN4363016	E35	SSN4D7472243PT	E46	T4448CH	H20
SSN42424123PTA	E38	SSN4363016A	E35	SSN4D7472243PTA	E46	T4460CH	H20
SSN42424123PTW	E40	SSN4363612	E35	SSN4X242108	G12	T4472CH	H20
SSN4242412A	E35	SSN43636123PT	E38	SSN4X242108A	G12	T6612CH	H20
SSN4243008	E34	SSN43636123PTA	E38	SSN4X242508	G12	T6618CH	H20
SSN4243008A	E34	SSN43636123PTW	E40	SSN4X242508A	G12	T6624CH	H20
SSN4244208WF3PT	E32	SSN4363612A	E35	SSN4X302508	G12	T6630CH	H20
SSN4244808WF3PT	E32	SSN4364212WF3PT	E32	SSN4X302508A	G12	T6636CH	H20
SSN4302008	E34	SSN4364812WF3PT	E32	SSN4X362508	G12	T6648CH	H20
SSN4302008A	E34	SSN4366012WF3PT	E32	SSN4X362508A	G12	T6660CH	H20
SSN4302408	E35	SSN4423010	E35	SSN4X363108	G12	T6672CH	H20
SSN43024083PT	E38	SSN4423010A	E35	SSN4X363108A	G12	T8812CH	H20
SSN43024083PTA	E38	SSN4423608	E35	SSN4X423112	G12	T8824CH	H20
SSN43024083PTW	E40	SSN4423608A	E35	SSN4X423112A	G12	T8836CH	H20
SSN4302408A	E35	SSN44236123PTW	E40	SSN4X423712	G12	T8848CH	H20
SSN4302410	E35	SSN4424212WF3PT	E32	SSN4X423712A	G12	T8860CH	H20
SSN4302410A	E35	SSN4424812WF3PT	E32	SSN4X483712	G12	TANC1080C	M31
SSN4302412	E35	SSN4426012WF3PT	E32	SSN4X483712A	G12	TANC14176F	M31
SSN43024123PT	E38	SSN4483608	E35	SSN4X603712	G12	TANO1080C	M31
SSN43024123PTA	E38	SSN4483608A	E35	SSN4X603712A	G12	TANO14176F	M31
SSN4302412A	E35	SSN4483610	E35	STFX05	M33	TCTF060C	M31
SSN4302416	E35	SSN4483610A	E35	T0202	H3	TCTF32140F	M31
SSN4302416A	E35	SSN4483612	E35	T0202G	H3	TTANCNC1080C	M31
SSN4303008	E35	SSN44836123PTW	E40	T0404	H3	TTANCNC14176F	M31
SSN43030083PT	E38	SSN4483612A	E35	T0404G	H3	TTANCNO1080C	M31
SSN43030083PTA	E38	SSN4483616	E35	T0606	H3	TTANCNO14176F	M31
SSN4303008A	E35	SSN44836163PTW	E40	T0606G	H3	TTANONO1080C	M31
SSN4304210WF3PT	E32	SSN4483616A	E35	T0808	H3	TTANONO14176F	M31
SSN4304810WF3PT	E32	SSN4484812WF3PT	E32	T0808G	H3	W1032N	L16
SSN4306010WF3PT	E32	SSN4603612	E35	T1010	H3	W12OILFILTER	M20
SSN4362408	E35	SSN46036123PTW	E40	T1010G	H3	W1C24	I2

PART NUMBER	PAGE	PART NUMBER	PAGE	PART NUMBER	PAGE	PART NUMBER	PAGE
W1C30	I2	W740900	M20	WA10JB	L10	WA20NTMA2	L11
W1C36	I2	W750400	M20	WA10JS	L10	WA20T	L11
W1C42	I2	W7901500	M20	WA121004GIE	C12	WA21ABA	G60, K14
W1C48	I2	W7971700	M20	WA121006GIE	C12	WA21ABVA	G60, K14
W2A4C10MML	M17	W797SS1700	M20	WA121204GSC	D8	WA21BAP	G60, K14
W2A4C9DP47L	M5	WA060604GIE	C12	WA121204GSCG	D8	WA21CHVA	G60, K14
W2A4C9DP47LV	M5	WA060604GSC	D8	WA121204GSCSS	E18	WA21FUFA	G60, K14
W2NA4C11SP43L	M13	WA060604GSCG	D8	WA121206GIE	C12	WA21GETDA	G60, K14
W2NA4C11SP43LV	M13	WA060604GSCSS	E18	WA121206GSC	D8	WA21ITE	G60, K14
W2NA4C3DP24L	M4	WA060606GSC	D8	WA121206GSCG	D8	WA21SDA	G60, K14
W2NA4C4SP28L	M13	WA060606GSCG	D8	WA121206GSCSS	E18	WA21WHA	G60, K14
W2NA4C4SP28LV	M13	WA060606GSCSS	E18	WA1212JTMA	L10	WA22BAP	G60, K14
W2NA4C5DP33L	M4	WA060804GSC	D8	WA121606GSC	D8	WA242406GSC	D8
W2NA4C5DP33LV	M4	WA060804GSCG	D8	WA121606GSCG	D8	WA242406GSCG	D8
W2NA4C6SP36L	M13	WA060804GSCSS	E18	WA121606GSCSS	E18	WA242406GSCSS	E18
W2NA4C6SP36LV	M13	WA060806GSC	D8	WA121608GSC	D8	WA242408FM	C21
W2NA4C7DP43L	M4	WA060806GSCG	D8	WA121608GSCG	D8	WA242408GSC	D8
W2NA4C7DP43LV	M4	WA060806GSCSS	E18	WA121608GSCSS	E18	WA242408GSCG	D8
W2NA4C8SP36L	M13	WA080604GIE	C12	WA12JB	L10	WA242408GSCSS	E18
W2NA4C8SP36LV	M13	WA0806JTMA	L10	WA12JS	L10	WA244208WF	C19
W2NA6C14DP50L	M5	WA080804GIE	C12	WA12NTMA2	L11	WA244808WF	C19
W2NA6C14DP50LV	M5	WA080804GSC	D8	WA12T	L11	WA24NTMA2	L11
W2NA6C18DP53L	M5	WA080804GSCG	D8	WA141206GIE	C12	WA24NTMA3	L11
W2NA6C18DP53LV	M5	WA080804GSCSS	E18	WA14JB	L10	WA24SBASE	I14
W2NA6C26DP60L	M5	WA080806GIE	C12	WA14JS	L10	WA24SBASESS	I14
W2NA6C26DP60LV	M5	WA080806GSC	D8	WA161206FM	C21	WA24T	L11
W38OILFILTER	M20	WA080806GSCG	D8	WA1614JTMA	L10	WA302408FM	C21
W3NA4C11SP43L	M13	WA080806GSCSS	E18	WA161606GSC	D8	WA303012GSC	D8
W3NA4C11SP43LV	M13	WA0808JTMA	L10	WA161606GSCG	D8	WA303012GSCG	D8
W3NA4C3DP24L	M4	WA081004GSC	D8	WA161606GSCSS	E18	WA303012GSCSS	E18
W3NA4C3DP24LV	M4	WA081004GSCG	D8	WA161608GSC	D8	WA304210WF	C19
W3NA4C4SP28L	M13	WA081004GSCSS	E18	WA161608GSCG	D8	WA304810WF	C19
W3NA4C4SP28LV	M13	WA08JB	L10	WA161608GSCSS	E18	WA306010WF	C19
W3NA4C5DP38L	M4	WA08JS	L10	WA16JB	L10	WA30T	L11
W3NA4C5DP38LV	M4	WA100804GIE	C12	WA16JS	L10	WA3456BAP	G60, K14
W3NA4C6SP36L	M13	WA100806GIE	C12	WA16NTMA2	L11	WA363008FM	C21
W3NA4C6SP36LV	M13	WA101004GSC	D8	WA16T	L11	WA363612GSC	D8
W3NA4C7DP52L	M5	WA101004GSCG	D8	WA181806GSC	D8	WA363612GSCG	D8
W3NA4C7DP52LV	M5	WA101004GSCSS	E18	WA181806GSCG	D8	WA363612GSCSS	E18
W3NA4C8SP36L	M13	WA101006GIE	C12	WA181806GSCSS	E18	WA364212WF	C19
W3NA4C8SP36LV	M13	WA101006GSC	D8	WA18SBASE	I14	WA364812WF	C19
W3NA4C9DP52L	M5	WA101006GSCG	D8	WA18SBASESS	I14	WA366012WF	C19
W3NA4C9DP52LV	M5	WA101006GSCSS	E18	WA202006FM	C21	WA36T	L11
W3NA6C14DP50L	M5	WA1010JTMA	L10	WA202008GSC	D8	WA424212WF	C19
W3NA6C14DP50LV	M5	WA101206GSC	D8	WA202008GSCG	D8	WA424812WF	C19
W3NA6C18DP53L	M5	WA101206GSCG	D8	WA202008GSCSS	E18	WA426012WF	C19
W3NA6C18DP53LV	M5	WA101206GSCSS	E18	WA202408GSC	D8	WA42T	L11
W3NA6C26DP60L	M5	WA10AXFN	M23,M34	WA202408GSCG	D8	WA44CCOL	I14
W3NA6C26DP60LV	M5	WA10AXFN2	M23,M34	WA202408GSCSS	E18	WA44CCOLSS	I14

PART NUMBER	PAGE	PART NUMBER	PAGE	PART NUMBER	PAGE	PART NUMBER	PAGE
WA44PBCOL.....	I14	WA60SP36F4G.....	K10	WA723630FSSS.....	E53	WA72P36F2G.....	K8
WA44PBCOLSS.....	I14	WA60X4912SSN4.....	G45	WA723630SSFSN43PT.....	E48	WA72P48F1.....	K9
WA484812WF.....	C19	WA60X4912U.....	G28	WA723636FS.....	C25	WA72P48F1G.....	K9
WA48T.....	L11	WA60X4918SSN4.....	G45	WA723636FSDA.....	C28	WA72P48F2.....	K9
WA4AXFN.....	M23,M34	WA60X4918U.....	G28	WA723636FSN43PT.....	D28	WA72P48F2G.....	K9
WA4AXFN2.....	M23,M34	WA60X4924U.....	G28	WA723636FSSS.....	E53	WA72P60F1.....	K9
WA4C10MML.....	M17	WA60X6112SSN4.....	G45	WA723636SSFSN43PT.....	E48	WA72P60F1G.....	K9
WA602418FS.....	C25	WA60X6112U.....	G28	WA7236SOF19.....	K12	WA72P60F2.....	K9
WA602418FSN43PT.....	D28	WA60X6118SSN4.....	G45	WA724818FSD.....	C27	WA72P60F2G.....	K9
WA602418FSSS.....	E53	WA60X6118U.....	G28	WA724818FSDSS.....	E53	WA72P72F1.....	K9
WA602418SSFSN43PT.....	E48	WA60X6124U.....	G28	WA724818SSFSN43PT.....	E50	WA72P72F2.....	K9
WA603624FS.....	C25	WA66CCOL.....	I14	WA724824FSD.....	C27	WA72P72F2G.....	K9
WA603624FSN43PT.....	D28	WA66CCOLSS.....	I14	WA724824FSDAD.....	C29	WA72RA19TH.....	K13
WA603624FSSS.....	E53	WA66PBCOL.....	I14	WA724824FSDSS.....	E53	WA72RA24TH.....	K13
WA603624SSFSN43PT.....	E48	WA66PBCOLSS.....	I14	WA724824SSFSN43PT.....	E50	WA72RP24F5.....	K13
WA604818FSD.....	C27	WA6AXFN.....	M23,M34	WA726018FSD.....	C27	WA72RP24F6.....	K13
WA604818FSDSS.....	E53	WA6AXFN2.....	M23,M34	WA726018FSDSS.....	E53	WA72RP30F5.....	K13
WA604818SSFSN43PT.....	E50	WA722418FS.....	C25	WA726018SSFSN43PT.....	E50	WA72RP30F6.....	K13
WA60CPX4812SSN4.....	G45	WA722418FSN43PT.....	D28	WA726024FSD.....	C27	WA72SMP14.....	K11
WA60CPX4912U.....	G28	WA722418FSSS.....	E53	WA726024FSDAD.....	C29	WA72SMP14G.....	K11
WA60CPX4924U.....	G28	WA722418SSFSN43PT.....	E48	WA726024FSDSS.....	E53	WA72SMP20.....	K11
WA60CPX6012SSN4.....	G45	WA722424FS.....	C25	WA726024SSFSN43PT.....	E50	WA72SMP20G.....	K11
WA60CPX6112U.....	G28	WA722424FSDA.....	C28	WA726036FSD.....	C27	WA72SP24F3.....	K10
WA60CPX6124U.....	G28	WA722424FSN43PT.....	D28	WA726036FSDAD.....	C29	WA72SP24F3G.....	K10
WA60FSCPS.....	C31, J13	WA722424FSSS.....	E53	WA726036FSDSS.....	E53	WA72SP24F4.....	K10
WA60P24F1.....	K8	WA722424SSFSN43PT.....	E48	WA726036SSFSN43PT.....	E50	WA72SP24F4G.....	K10
WA60P24F1G.....	K8	WA722430FSDA.....	C28	WA727218FSD.....	C27	WA72SP30F3.....	K10
WA60P24F2.....	K8	WA722436FSDA.....	C28	WA727218FSDSS.....	E53	WA72SP30F3G.....	K10
WA60P24F2G.....	K8	WA723018FS.....	C25	WA727218SSFSN43PT.....	E50	WA72SP30F4.....	K10
WA60P36F1.....	K8	WA723018FSN43PT.....	D28	WA727224FSD.....	C27	WA72SP30F4G.....	K10
WA60P36F1G.....	K8	WA723018FSSS.....	E53	WA727224FSDAD.....	C29	WA72SP36F3.....	K10
WA60P36F2.....	K8	WA723018SSFSN43PT.....	E48	WA727224FSDSS.....	E53	WA72SP36F3G.....	K10
WA60P36F2G.....	K8	WA723024FS.....	C25	WA727224SSFSN43PT.....	E50	WA72SP36F4.....	K10
WA60P48F1.....	K9	WA723024FSDA.....	C28	WA72CPX7212SSN4.....	G45	WA72SP36F4G.....	K10
WA60P48F1G.....	K9	WA723024FSN43PT.....	D28	WA72CPX7218SSN4.....	G45	WA72X6112SSN4.....	G45
WA60P48F2.....	K9	WA723024FSSS.....	E53	WA72CPX7312U.....	G28	WA72X6112U.....	G28
WA60P48F2G.....	K9	WA723024SSFSN43PT.....	E48	WA72CPX7318U.....	G28	WA72X6118SSN4.....	G45
WA60RA19TH.....	K13	WA7230SOF19.....	K12	WA72FSCPS.....	C31, J13	WA72X6118U.....	G28
WA60RP24F5.....	K13	WA723618FS.....	C25	WA72P24F1.....	K8	WA72X7312SSN4.....	G45
WA60RP24F6.....	K13	WA723618FSN43PT.....	D28	WA72P24F1G.....	K8	WA72X7312U.....	G28
WA60SMP14.....	K11	WA723618FSSS.....	E53	WA72P24F2.....	K8	WA72X7318SSN4.....	G45
WA60SMP14G.....	K11	WA723618SSFSN43PT.....	E48	WA72P24F2G.....	K8	WA72X7318U.....	G28
WA60SP24F3.....	K10	WA723624FS.....	C25	WA72P24F3.....	K8	WA72X7324SSN4.....	G45
WA60SP24F3G.....	K10	WA723624FSDA.....	C28	WA72P24F3G.....	K8	WA72X7324U.....	G28
WA60SP24F4.....	K10	WA723624FSN43PT.....	D28	WA72P24F4.....	K8	WA72XM2718SSN4.....	G48
WA60SP24F4G.....	K10	WA723624FSSS.....	E53	WA72P24F4G.....	K8	WA72XM2718U.....	G32
WA60SP36F3.....	K10	WA723624SSFSN43PT.....	E48	WA72P24F5.....	K8	WA72XM3318SSN4.....	G48
WA60SP36F3G.....	K10	WA723630FS.....	C25	WA72P24F5G.....	K8	WA72XM3318U.....	G32
WA60SP36F4.....	K10	WA723630FSN43PT.....	D28	WA72P24F6.....	K8	WA72XM3918SSN4.....	G48

PART NUMBER	PAGE	PART NUMBER	PAGE	PART NUMBER	PAGE	PART NUMBER	PAGE
WA72XM3918U	G32	WA904820FSDSS	E53	WA90XM7720U	G33	WAFLT34	M24
WA72XM3EQ18U	G34	WA904820SSFSDN43PT ...	E50	WA90XM7724SSN4	G48	WAFLT44	M24
WA72XM3EW18U	G34	WA907220FSD	C27	WA90XM7724U	G33	WAFLT64	M24
WA72XM5318SSN4	G48	WA907220FSDSS	E53	WABN4JIC	L18	WAFLT66	M24
WA72XM5318U	G33	WA907220SSFSDN43PT ...	E50	WABN4JICA	L18	WAFLT812	M24
WA72XM6518SSN4	G48	WA907224FSD	C27	WACLJIC	L17	WAFLT86	M24
WA72XM6518U	G33	WA907224FSDAD	C29	WACLSN12	L16	WAFLT88	M24
WA72XM7718SSN4	G48	WA907224FSDSS	E53	WACLSN12KEY	L17	WAFMP10	M34
WA72XM7718U	G33	WA907224SSFSDN43PT ...	E50	WACSHELF12	L3	WAFMP4	M34
WA72XM7724SSN4	G48	WA907236FSD	C27	WACSHELF18	L3	WAFMP6	M34
WA72XM7724U	G33	WA907236FSDSS	E53	WADS1420CN	L24	WAGARD10	M23,M34
WA8	L17	WA907236SSFSDN43PT ...	E50	WADSTOPK	L3	WAGARD4	M23,M34
WA84XM3918SSN4	G48	WA90FSCPS	C31, J13	WADSTOPKSS	L3	WAGARD6	M23,M34
WA84XM3918U	G32	WA90P24F1	K8	WADW131602	L6	WAGSE	L8
WA84XM3924SSN4	G48	WA90P24F1G	K8	WADW131602BC	L6	WAGSET	L8
WA84XM3EW18U	G34	WA90P24F2	K8	WADW131602BCSS	L6	WAJCDFK	L2
WA84XM4EW18U	G35	WA90P24F2G	K8	WADW131602SS	L6	WAJICRA	L18
WA84XM5EW18U	G36	WA90P36F1	K8	WADW150902	L6	WAL12KEY	L17
WA84XM7718SSN4	G48	WA90P36F1G	K8	WADW150902BC	L6	WAL1A	L17
WA84XM7718U	G33	WA90P36F2	K8	WADW150902BCSS	L6	WAL1B	L17
WA84XM7724SSN4	G48	WA90P36F2G	K8	WADW150902SS	L6	WAL1C	L17
WA86M3E	C33	WA90P48F1	K9	WADW191302	L6	WAL1D	L17
WA86M3E20	C33	WA90P48F1G	K9	WADW191302BC	L6	WAL2A	L17
WA86M4E	C33	WA90P48F2	K9	WADW191302BCSS	L6	WAL2B	L17
WA86M4E20	C33	WA90P48F2G	K9	WADW191302SS	L6	WAL2C	L17
WA86M5E	C33	WA90P72F1	K9	WADW231302	L6	WAL2D	L17
WA86M5E20	C33	WA90P72F2	K9	WADW231302BC	L6	WAL2KEY	L17
WA902420FS	C25	WA90P72F2G	K9	WADW231302BCSS	L6	WAL3A	L17
WA902420FSN43PT	D28	WA90RA19TH	K13	WADW231302SS	L6	WAL3ASS	L17
WA902420FSSS	E53	WA90RP24F5	K13	WADW231702	L6	WAL3B	L17
WA902420SSFSDN43PT	E48	WA90RP24F6	K13	WADW231702BC	L6	WAL3BSS	L17
WA903620FS	C25	WA90SMP14	K11	WADW231702BCSS	L6	WAL3C	L17
WA903620FSN43PT	D28	WA90SMP14G	K11	WADW231702SS	L6	WAL3CSS	L17
WA903620FSSS	E53	WA90SMP20	K11	WADW232602	L6	WAL3D	L17
WA903620SSFSDN43PT	E48	WA90SMP20G	K11	WADW232602BC	L6	WAL3DSS	L17
WA903624FS	C25	WA90SP36F3	K10	WADW232602BCSS	L6	WAL4A	L17
WA903624FSDA	C28	WA90SP36F3G	K10	WADW232602SS	L6	WAL4B	L17
WA903624FSN43PT	D28	WA90SP36F4	K10	WADW292002	L6	WAL4C	L17
WA903624FSSS	E53	WA90SP36F4G	K10	WADW292002BC	L6	WAL4D	L17
WA903624SSFSDN43PT	E48	WA90XM3918SSN4	G48	WADW292002BCSS	L6	WAL8	L17
WA903636FS	C25	WA90XM3920SSN4	G48	WADW292002SS	L6	WAL8KEY	L17
WA903636FSDA	C28	WA90XM3920U	G32	WAEK115	L9	WAMFK3RL014	B10
WA903636FSN43PT	D28	WA90XM3924SSN4	G48	WAEK115NDH	L9	WAMFK3RL016	B10
WA903636FSSS	E53	WA90XM3924U	G32	WAEKDF	L9	WAN12RA	L18
WA903636SSFSDN43PT	E48	WA90XM3EW24U	G34	WAEMKA4	L17	WAN4XRA	L18
WA9036SOF19	K12	WA90XM7718SSN4	G48	WAENST	L13	WAN4XRAA	L18
WA904820FSD	C27	WA90XM7720SSN4	G48	WAFLT33	M24	WANADFK	L2

PART NUMBER	PAGE	PART NUMBER	PAGE	PART NUMBER	PAGE	PART NUMBER	PAGE
WAPLKJIC	L17	WAVK0303	M24	WC1248T	I8	WC20C20	I12
WAPLKJICSS	L17	WAVK0303SSA	M24	WC1248W	I8	WC20C20SS	E20
WAPMK3RL014	B10	WAVK0304	M24	WC12B	I8	WC20C24	I12
WAPMK3RL016	B10	WAVK0304SSA	M24	WC12C	I8, K13	WC20C24SS	E20
WAPPL0606	L3	WAVK0404	M24	WC12C12	I12	WC20C30	I12
WAPPL0810	L3	WAVK0404SSA	M24	WC12C12SS	E20	WC20C30SS	E20
WAPS03	L13	WAVK0604	M24	WC12C16	I12	WC924B	I4
WAPS09	L13	WAVK0604SSA	M24	WC12C16SS	E20	WC936B	I4
WAPS1420CN	C31, I10	WAVK0606	M23, M34	WC12C20	I12	WCT242412	B11
WAPS3816CN	C31, I10	WAVK0606SSA	M24	WC12C20SS	E20	WCT303012	B11
WAPWK0503NF	L5	WAVK0806	M23, M34	WC12C24	I12	WCT363012	B11
WAPWK0503SS	L5	WAVK0806SSA	M24	WC12C24SS	E20	WCT363612	B11
WAPWK0905NF	L5	WAVK0808	M24	WC12T	I8	WCT483616	B11
WAPWK0905SS	L5	WAVK0808SSA	M24	WC12W	I8	WGAS3834	L8
WAPWK1308NF	L5	WAVK0812	M23, M34	WC1436B	I10	WGAS51634	L8
WAPWK1308SS	L5	WAVK0812SSA	M24	WC1436P1	I10	WGNDKT	L9
WAPWK1705NF	L5	WAVE	L8	WC1436P2	I10	WGND510	L9
WAPWK1711NF	L5	WBP1812	B13	WC1436P3	I10	WGND550	L9
WAPWK1711SS	L5	WBP2020	B13	WC1436T	I10	WGS1008	L9
WAPWK2315NF	L5	WBP2418	B13	WC1436W	I10	WGS1016	L9
WAPWK2315SS	L5	WBP2420	B13	WC1448BD	I10	WHVL031100120	M27
WAPWK2919NF	L5	WBP2424	B13	WC1448P2	I10	WHVL031150120	M27
WAPWK3523NF	L5	WBP3024	B13, B14	WC1448P3	I10	WHVL031200120	M27
WARAK24	L14	WBP3030DD	B14	WC1448T	I10	WHVL031300120	M27
WARAK30	L14	WBP3044DD	B14	WC1448W	I10	WHVL031400120	M27
WARAK36	L14	WBP3236DD	B14	WC1460BD	I10	WHVL031400230	M27
WAS050	L4	WBP3624	B13, B14	WC1460P2	I10	WLF25A	L20
WAS050SS	L4	WBP3630	B13, B14	WC1460P3	I10	WLF25B	L20
WAS075	L4	WBP3636DD	B14	WC1460T	I10	WLF25C	L20
WAS075SS	L4	WBP4242DD	B14	WC1460W	I10	WLF25G	L20
WAS100	L4	WBP4848DD	B14	WC14B	I10	WLF25R	L20
WAS100SS	L4	WC08C08	I12	WC14P1	I10	WLF26A	L20
WAS125	L4	WC08C08SS	E20	WC14P2	I10	WLF26B	L20
WAS125SS	L4	WC08C12	I12	WC14P3	I10	WLF26C	L20
WAS150	L4	WC08C12SS	E20	WC14R	I10	WLF26G	L20
WAS150SS	L4	WC08C16	I12	WC14T	I10	WLF26R	L20
WAS200	L4	WC08C16SS	E20	WC14W	I10	WLSG25A	L20
WAS250	L4	WC08C20	I12	WC16C16	I12	WLSG25B	L20
WAS300	L4	WC08C20SS	E20	WC16C16SS	E20	WLSG25C	L20
WAS350	L4	WC10B	I6	WC16C20	I12	WLSG25G	L20
WAS400	L4	WC10C	I6, K13	WC16C20SS	E20	WLSG25R	L20
WASPB	L4	WC10T	I6	WC16C24	I12	WLSG26A	L20
WASPBG	L4	WC10W	I6	WC16C24SS	E20	WLSG26B	L20
WASPBGSS	L4	WC1224B	I8	WC16C30	I12	WLSG26C	L20
WASPBSS	L4	WC1224T	I8	WC16C30SS	E20	WLSG26G	L20
WAVK0203	M24	WC1224W	I8	WC16C36	I12	WLSG26R	L20
WAVK0203SSA	M24	WC1248BD	I8	WC16C36SS	E20	WMOD7218EPT	G42

PART NUMBER	PAGE	PART NUMBER	PAGE	PART NUMBER	PAGE	PART NUMBER	PAGE
WMOD7218FTPT	G42	WNA4C4SP28L	M13	WPBA6	I16	WRD907220FSD4	D32
WMOD7218GK	G42	WNA4C4SP28LV	M13	WPBA8	I16	WRD907224FSD4	D32
WMOD723818	G40	WNA4C5DP33L	M4	WPBA9	I16	WRD907236FSD4	D32
WMOD727718	G41	WNA4C5DP33LV	M4	WRD602418FS4	D30	WVC1-1	L21
WMOD72X4018U	G40	WNA4C6SP36L	M13	WRD603624FS4	D30	WVC2-1	L21
WMOD72X7818U	G41	WNA4C6SP36LV	M13	WRD604818FSD4	D32	WVC6-1	L21
WMOD8418EPT	G42	WNA4C7DP43L	M4	WRD722418FS4	D30	WWG11-1	L21
WMOD8418FTPT	G42	WNA4C7DP43LV	M4	WRD722424FS4	D30	WWG12-1	L21
WMOD8418GK	G42	WNA4C8SP36L	M13	WRD723018FS4	D30	WWG13-1	L21
WMOD8424EPT	G42	WNA4C8SP36LV	M13	WRD723024FS4	D30	WWG22-1	L21
WMOD8424FTPT	G42	WNA4C9DP47L	M5	WRD723618FS4	D30	WWG25-2	L21
WMOD8424GK	G42	WNA4C9DP47LV	M5	WRD723624FS4	D30	WWG33-1	L21
WMOD843818	G40	WNV6LED	L20	WRD723630FS4	D30	WWG37-3	L21
WMOD843824	G40	WPBA1	I16	WRD723636FS4	D30	WWG77-6	L21
WMOD847718	G41	WPBA10	I16	WRD724818FSD4	D32	X0202	H3
WMOD847724	G41	WPBA12	I16	WRD724824FSD4	D32	X0202G	H3
WMOD84X4018U	G40	WPBA12S	I16	WRD726018FSD4	D32	X0404	H3
WMOD84X4024U	G40	WPBA16	I16	WRD726024FSD4	D32	X0404G	H3
WMOD84X7818U	G41	WPBA16S	I16	WRD726036FSD4	D32	X0606	H3
WMOD84X7824U	G41	WPBA2	I16	WRD727218FSD4	D32	X0606G	H3
WNA4C11SP43L	M13	WPBA20	I16	WRD727224FSD4	D32	X0808	H3
WNA4C11SP43LV	M13	WPBA25	I16	WRD902420FS4	D30	X0808G	H3
WNA4C1DP15L	M4	WPBA3	I16	WRD903620FS4	D30	X1010	H3
WNA4C1DP15LV	M4	WPBA30	I16	WRD903624FS4	D30	X1010G	H3
WNA4C3DP21L	M4	WPBA4	I16	WRD903636FS4	D30	X1212	H3
WNA4C3DP21LV	M4	WPBA4S	I16	WRD904820FSD4	D32	X1212G	H3

