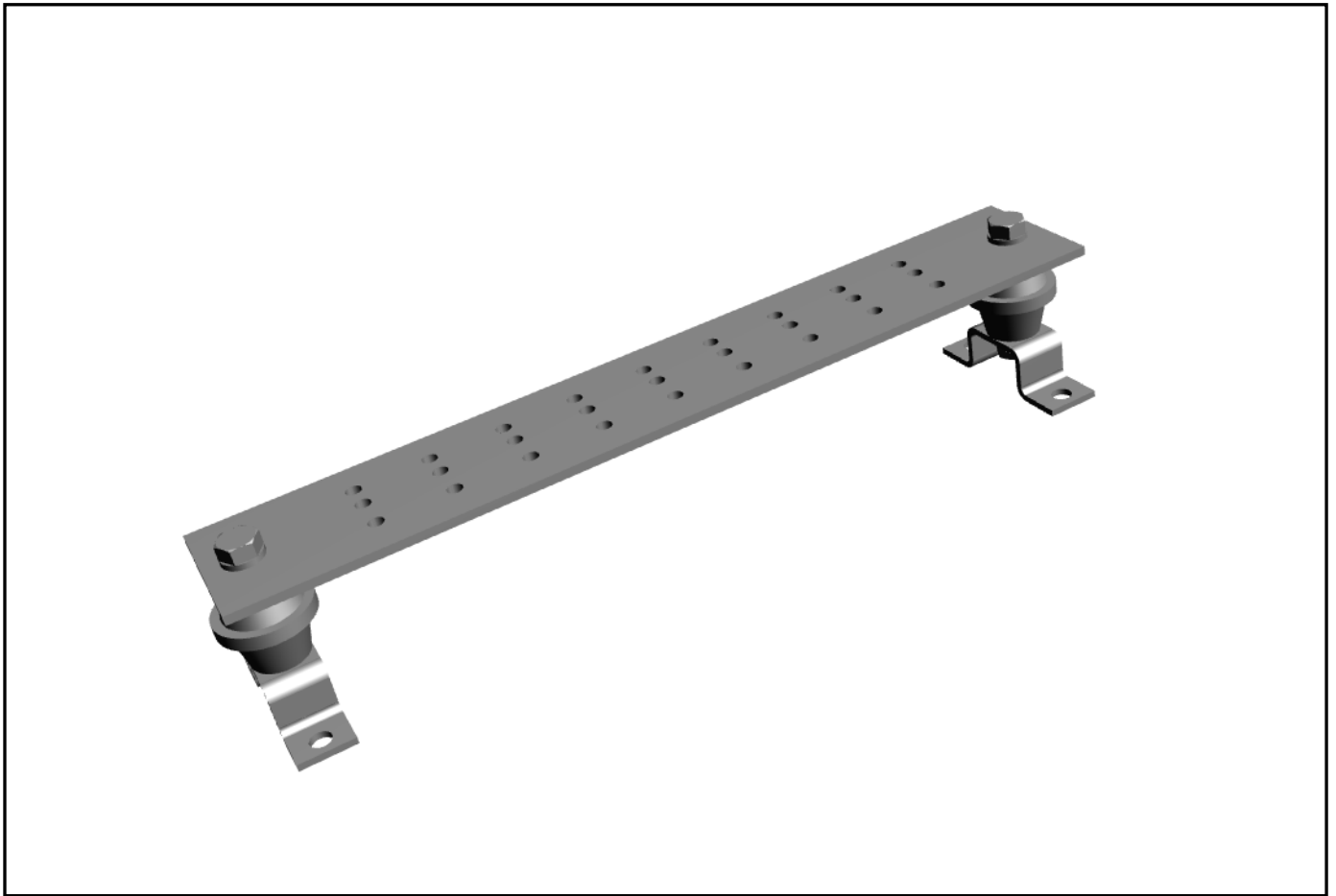




## 3D Model

\*Adobe® Reader® 9 or later software is required to view this 3D image. [Get Adobe® Reader® here.](#)



### **Directions for 3D model:**

1. **To Enable Content** - Click on the model to activate interactive features.
2. **To Rotate** - Click on the model and drag it in the direction you want it to rotate.
3. **To Move** - Hold down the Ctrl key to click and drag the model to a different position.
4. **To Zoom In/Out** - Hold down the Shift key, click the model and move your mouse up/down to your desired size.
5. **Additional Features** - Advanced features are available by using the given tool bar or by right-clicking the model.

### **Contact BURNDY:**

**US:**  
1-800-346-4175

**Canada:**  
1-800-387-6487

#### **Customer Service Dept.**

7 Aviation Park Drive  
Londonderry, NH 03053  
1-800-346-4175  
1-603-647-5299 (International)

#### **Tool Service Center**

Littleton Industrial Park  
Littleton, NH 03561  
1-800-426-8720