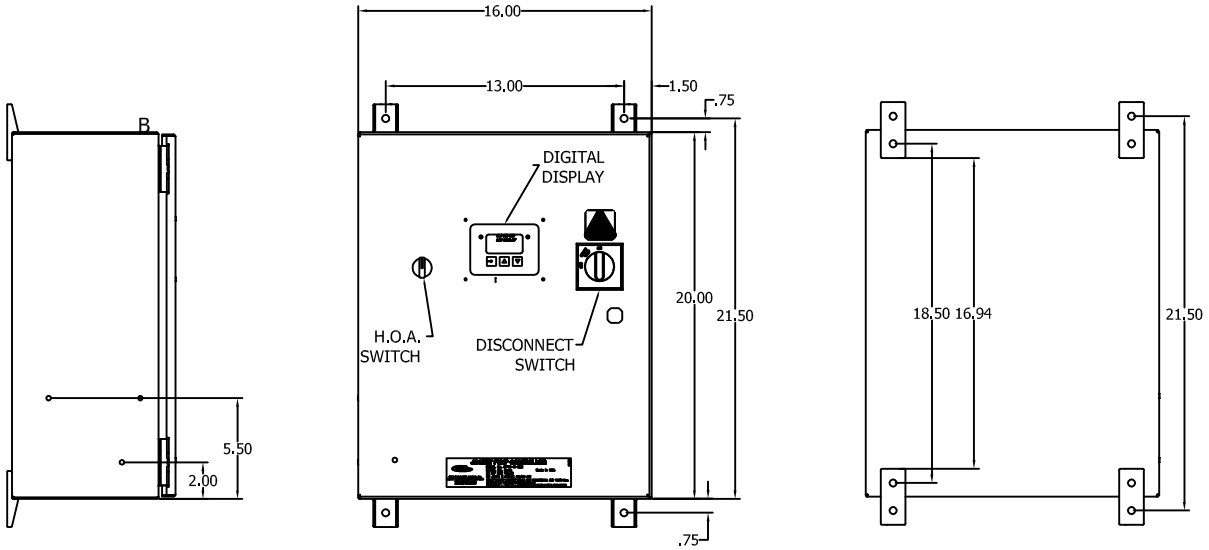


REVISIONS			
REV.	DATE	DESCRIPTION	BY





- NOTES:
1. FIELD TERMINAL WILL ACCEPT COPPER WIRE ONLY.
 2. MOTOR TERMINALS VARY WIDELY BETWEEN MANUFACTURERS. PLEASE REFER TO MOTOR CONNECTION DIAGRAM ON THE MOTOR FOR VERIFICATION.
 3. PROPER PHASE SEQUENCE (A,B,C) SHOULD BE OBSERVED, TO MAINTAIN PROPER MOTOR ROTATION.
 4. INCOMING CABLE SIZE TO BE 125% OF MOTOR FULL LOAD CURRENT. REFER TO WIRE SIZE TABLES IN NFPA 70.

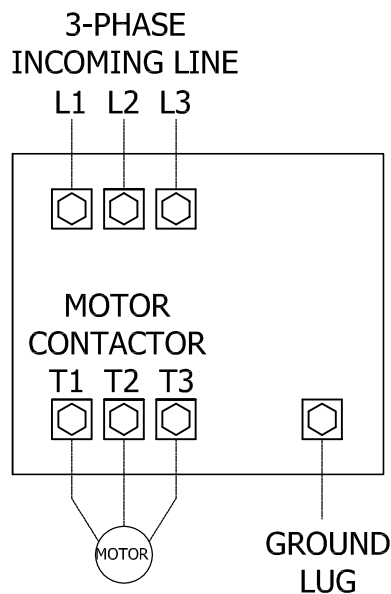
SINGLE PHASE	
HP	VAC
1.5 - 5	115
3 - 10	200
3 - 15	220

THREE PHASE	
HP	VAC
5 - 20	200
5 - 25	208
7.5 - 25	220/240
10 - 40	380/415
15 - 50	440/480
15 - 50	575/600

HCJW803000 - NEMA 4 ENCLOSURE
 HCJW803001 - NEMA 4X ENCLOSURE
 HCJW803300 - UNPAINTED 316SS (STD)
 HCJW803301 - PAINTED 316SS ENCLOSURE

LINEAR 0.X = ± .050 0.XX = ± .020 0.XXX = ± .005	HOLE PUNCH ± .002 ± .003 ± .004 ± .005 ± .006 ± .007 ± .008 ± .009 ± .010	ANGLES DIMEN. ± 1° UNDIM. 90° ± 2°	 DATA & OUTLINE DRAWING MP15 MICRO JOCKEY FIRE PUMP CONTROLLER NEMA 4/4X (CRS & 316SS) LARGE ENCLOSURE
R.M.S.	DATE: 8/2/2013	DR. S. JUDD	CK. APPR.
 METRON Division of - Hubbell ICD, Inc. 4301 Cheyenne Drive Archdale, N.C. 27263		DRG. NO. 1 OF 1 HCMP15D-803	

STANDARD MP15 JOCKEY



NOTES

1. INCOMING LINE TERMINALS ARE PROVIDED TO ACCOMMODATE 125% OF MOTOR FULL LOAD CURRENT PER NFPA-20 AND NFAP-70.
2. COPPER (CU) WIRE IS RECOMMENDED.
3. FOR FIELD CONNECTION WIRE; 16 GA AWG MINIMUM. REFER TO NFPA-70 FOR FIELD WIRE SIZING.
- 4. PRESSURE SENSING LINE CONNECTION IS 1/2" MALE NPT.**
5. REFER TO SCHEMATIC DRAWING: HCMP15S FOR MORE INFORMATION.

LINEAR	HOLE	ANGLES	FIELD CONNECTION DIAGRAM	
0.X = ± .050	PUNCH ± .002	DIMEN. ± 1'		MP15 MICRO JOCKEY
0.XX = ± .020	< .50 ± .002	UNDIM. 90' ± 2'		
0.XXX = ± .005	> .50 ± .002	RFAM SPECIFIED		
CADD NO. HCMP15F.idw				
R.M.S.	DATE 10/18/2013	DR.	CK.	APPR.
METRON Div. of Hubbell-ICD, Inc. 4301 Cheyenne Drive Archdale, N.C. 27263			DRG. NO. 1 OF 1 HCMP15F	