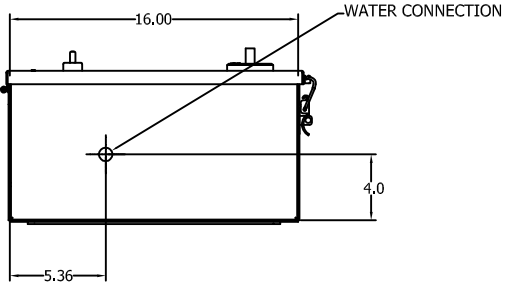
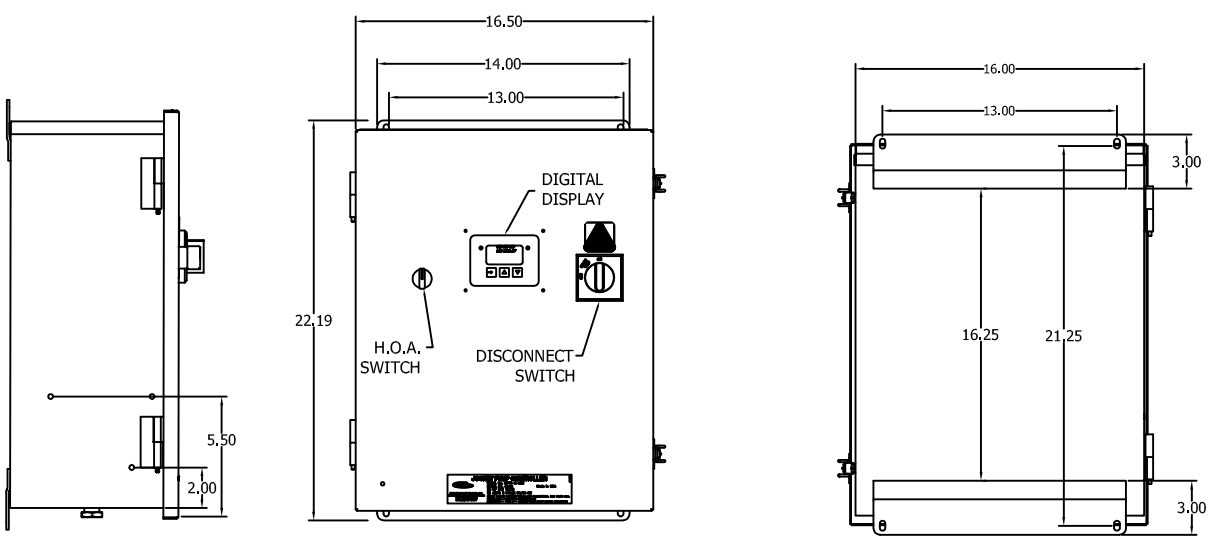


REVISIONS			
REV.	DATE	DESCRIPTION	BY





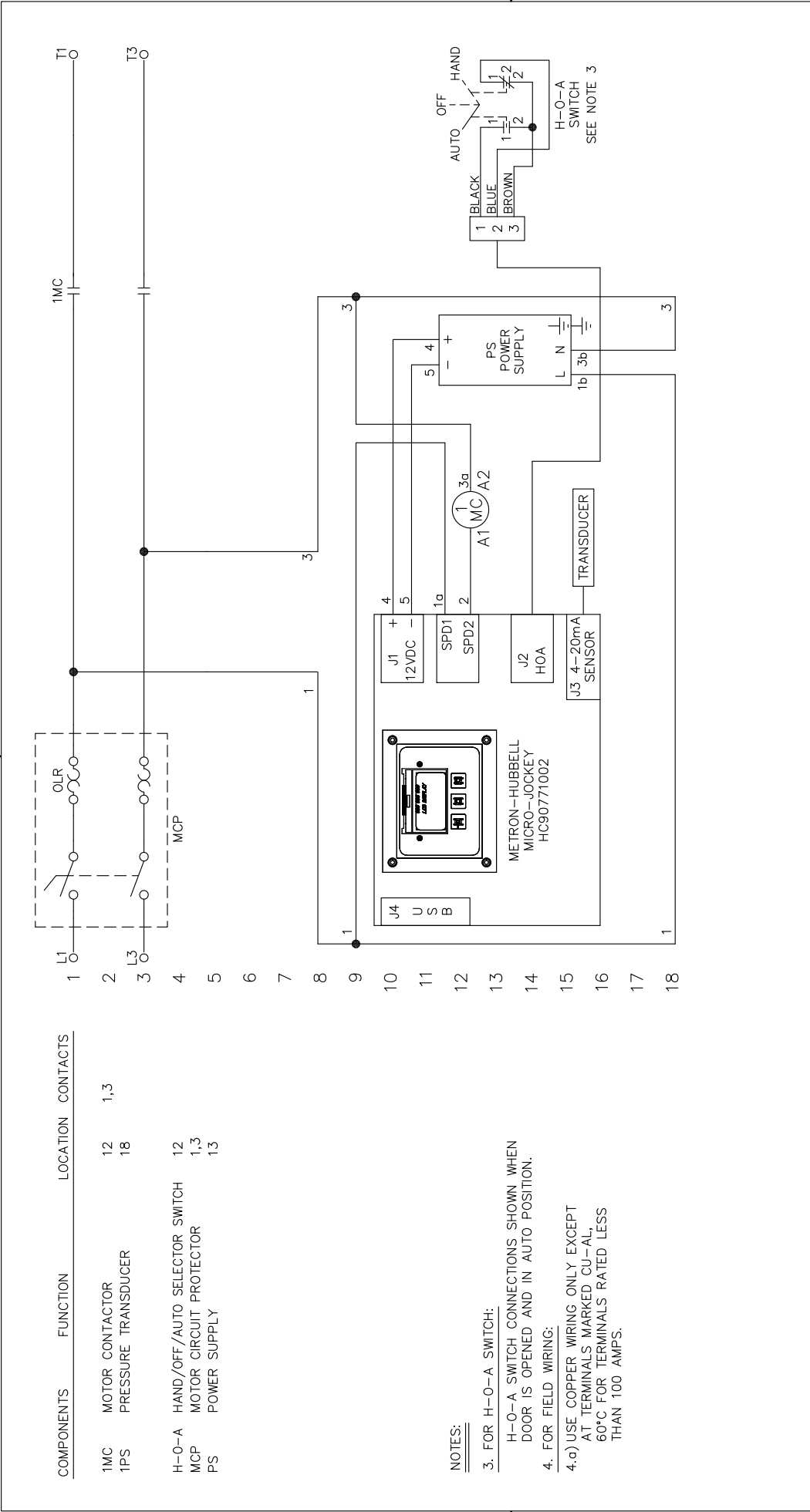
- NOTES:
1. FIELD TERMINAL WILL ACCEPT COPPER WIRE ONLY.
 2. MOTOR TERMINALS VARY WIDELY BETWEEN MANUFACTURERS. PLEASE REFER TO MOTOR CONNECTION DIAGRAM ON THE MOTOR FOR VERIFICATION.
 3. PROPER PHASE SEQUENCE (A,B,C) SHOULD BE OBSERVED, TO MAINTAIN PROPER MOTOR ROTATION.
 4. INCOMING CABLE SIZE TO BE 125% OF MOTOR FULL LOAD CURRENT. REFER TO WIRE SIZE TABLES IN NFPA 70.

SINGLE PHASE	
HP	VAC
1.5 - 5	115
3 - 10	200
3 - 15	220

THREE PHASE	
HP	VAC
5 - 20	200
5 - 25	208
7.5 - 25	220/240
10 - 40	380/415
15 - 50	440/480
15 - 50	575/600

HCJW802000 LARGE STANDARD ENCLOSURE

LINEAR 0.X = ± .050 0.XX = ± .020 0.XXX = ± .005	HOLE PUNCH ± .002 RE ± .001 REAM ± .001	ANGLES DIMEN. ± 1° UNDIM. 90° ± 7°	 <p>DATA & OUTLINE DRAWING MP15 MICRO JOCKEY FIRE PUMP CONTROLLER NEMA 3R LARGE ENCLOSURE</p>
R.M.S.	DATE: 8/2/2013	DR. S. JUDD	CK. APPR.
 <p>METRON Division of - Hubbell ICD, Inc. 4301 Cheyenne Drive Archdale, N.C. 27263</p>		DRG. NO.	1 OF 1 HCMP15D-802- INVOICE#ITEM#



COMPONENTS	FUNCTION	LOCATION	CONTACTS
1MC	MOTOR CONTACTOR	12	1,3
1PS	PRESSURE TRANSDUCER	18	
H-O-A	HAND/OFF/AUTO SELECTOR SWITCH	12	
MCP	MOTOR CIRCUIT PROTECTOR	1,3	
PS	POWER SUPPLY	13	

NOTES:

- FOR H-O-A SWITCH:
H-O-A SWITCH CONNECTIONS SHOWN WHEN DOOR IS OPENED AND IN AUTO POSITION.
- FOR FIELD WIRING:
4-a) USE COPPER WIRING ONLY EXCEPT AT TERMINALS MARKED CU-AL, 60°C FOR TERMINALS RATED LESS THAN 100 AMPS.

OPTIONS LIST - OPTIONS MARKED WITH AN "X" ARE INCLUDED													
C	C	E	H	L	M	P	R	S	U	V	X	Y	CUSTOM
													X

STANDARD SCHEMATIC DIAGRAM
MP15 MICRO JOCKEY PUMP CONTROLLER
SINGLE PHASE

DR. DAMA **CK.** **APPR.**

DATE: 10/17/2014

DRG. NO. 1 OF 1

HCMP15S1P

LANGAR

HOLE	ANGLES
PUNCH	DIMEN.
0.X = .005	± .005
0.XX = ±.002	± .1°
0.XXX = ±.004	± .004
0.XXX = .005	REAM SPECIFIED
	90 ±.2

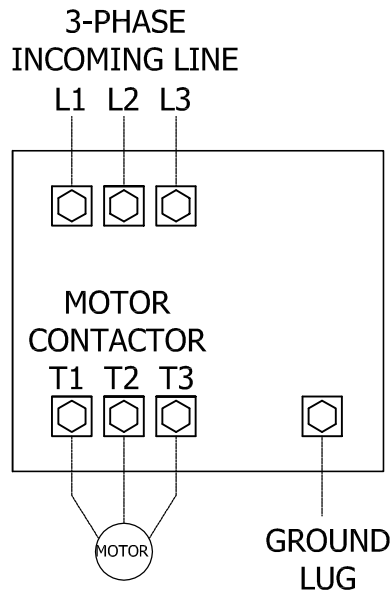
CADD NO.: HCMP15S1P

R.P.M.S.

METRON
Division of Hubbell-ICD, Inc.
4301 Cheyenne Drive Archdale, N.C. 27263



STANDARD MP15 JOCKEY



NOTES

1. INCOMING LINE TERMINALS ARE PROVIDED TO ACCOMMODATE 125% OF MOTOR FULL LOAD CURRENT PER NFPA-20 AND NFAP-70.
2. COPPER (CU) WIRE IS RECOMMENDED.
3. FOR FIELD CONNECTION WIRE; 16 GA AWG MINIMUM. REFER TO NFPA-70 FOR FIELD WIRE SIZING.
- 4. PRESSURE SENSING LINE CONNECTION IS 1/2" MALE NPT.**
5. REFER TO SCHEMATIC DRAWING: HCMP15S FOR MORE INFORMATION.

LINEAR	HOLE	ANGLES	FIELD CONNECTION DIAGRAM	
0.X = ± .050	PUNCH ± .002	DIMEN. ± 1'		MP15 MICRO JOCKEY
0.XX = ± .020	< .50 ± .002	UNDIM. 90' ± 2'		
0.XXX = ± .005	> .50 ± .002			
CADD NO. HCMP15F.idw				
R.M.S.	DATE 10/18/2013	DR.	CK.	APPR.
METRON Div. of Hubbell-ICD, Inc. 4301 Cheyenne Drive Archdale, N.C. 27263		DRG. NO. 1 OF 1 HCMP15F		