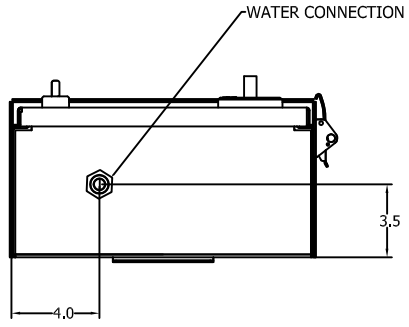
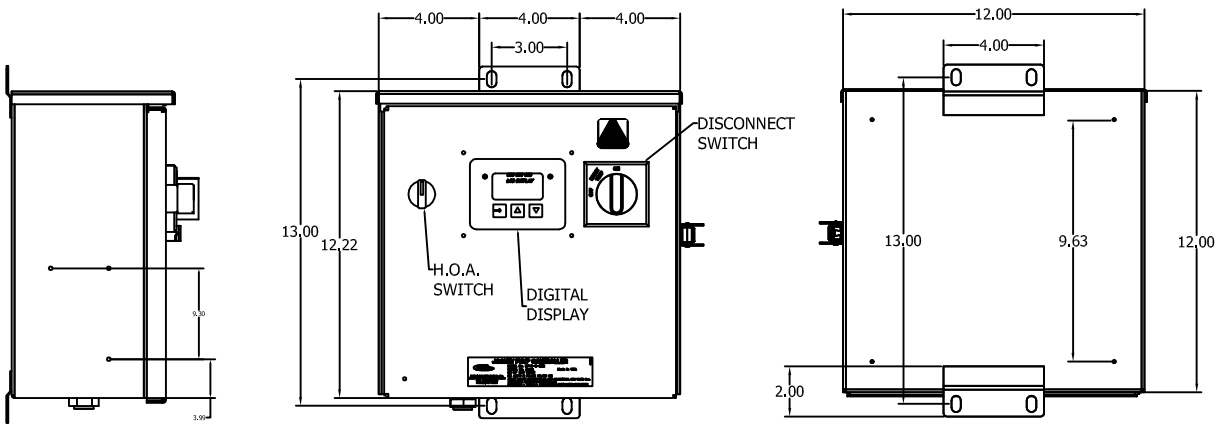


REVISIONS			
REV.	DATE	DESCRIPTION	BY





- NOTES:
1. FIELD TERMINAL WILL ACCEPT COPPER WIRE ONLY.
 2. MOTOR TERMINALS VARY WIDELY BETWEEN MANUFACTURERS. PLEASE REFER TO MOTOR CONNECTION DIAGRAM ON THE MOTOR FOR VERIFICATION.
 3. PROPER PHASE SEQUENCE (A,B,C) SHOULD BE OBSERVED, TO MAINTAIN PROPER MOTOR ROTATION.
 4. INCOMING CABLE SIZE TO BE 125% OF MOTOR FULL LOAD CURRENT. REFER TO WIRE SIZE TABLES IN NFPA 70.

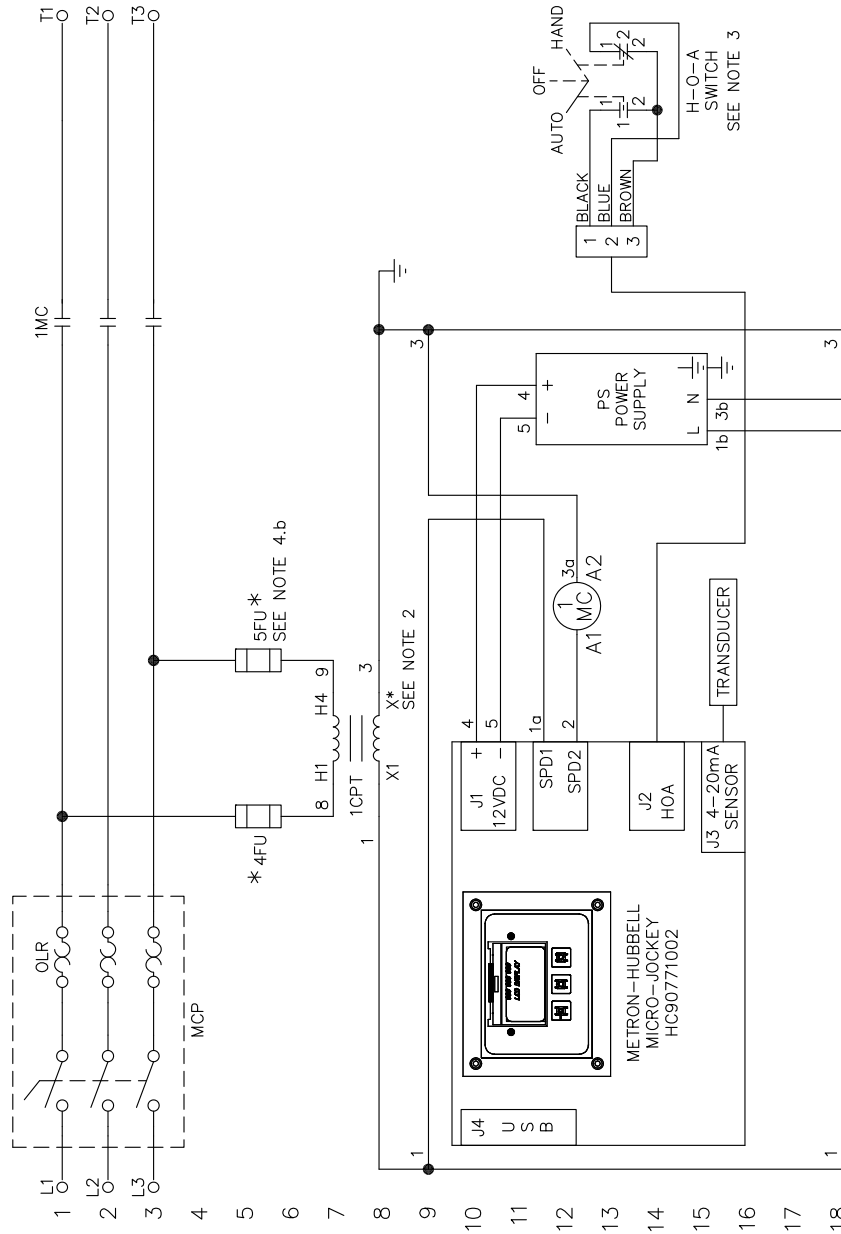
SINGLE PHASE	
HP	VAC
.25 - 1	115
.25 - 2	200
.25 - 2	240

THREE PHASE	
HP	VAC
.25 - 4	200
.25 - 4	208
.25 - 5	240
.25 - 7.5	380/415
.25 - 10	460/480
.25 - 10	575/600

HCJW801000 SMALL STANDARD ENCLOSURE

LINEAR 0.X = ± .050 0.XX = ± .020 0.XXX = ± .005	HOLE PUNCH ± .002 ± .003 ± .004 ± .005	ANGLES DIMEN. ± 1° UNDIM. 90° ± 7°	 <p>DATA & OUTLINE DRAWING MP15 MICRO JOCKEY FIRE PUMP CONTROLLER NEMA 3R SMALL ENCLOSURE</p>
R.M.S.	DATE: 8/2/2013	DR. S. JUDD	CK. APPR.
 <p>METRON Division of - Hubbell ICD, Inc. 4301 Cheyenne Drive Archdale, N.C. 27263</p>		DRG. NO.	1 OF 1 HCMP15D-801- INVOICE#ITEM#

COMPONENTS	FUNCTION	LOCATION	CONTACTS
1CPT	CONTROL POWER TRANSFORMER	8	
1MC	MOTOR CONTACTOR	12	1,2,3
1PS	PRESSURE TRANSDUCER	16	
4FU	CONTROL FUSE	5	
5FU	CONTROL FUSE	5	
H-O-A	HAND/OFF/AUTO SELECTOR SWITCH	12	
MCP	MOTOR CIRCUIT PROTECTOR	1,2,3	
PS	POWER SUPPLY	13	



NOTES:

2. FOR CONTROL TRANSFORMER 1CPT:
CONTROL TRANSFORMER SECONDARY CONNECTIONS VARY. SEE ACTUAL TYPE OF CONTROL TRANSFORMER USED PER JOB.
3. FOR H-O-A SWITCH:
H-O-A SWITCH CONNECTIONS SHOWN WHEN DOOR IS OPENED AND IN AUTO POSITION.
4. FOR FIELD WIRING:
4.a) USE COPPER WIRING ONLY EXCEPT AT TERMINALS MARKED CU-AL, 60°C FOR TERMINALS RATED LESS THAN 100 AMPS.
4.b) TO REDUCE THE RISK OF FIRE, REPLACE WITH SAME TYPE AND RATING AS FUSE ORIGINALLY INSTALLED.

* CONTROL FUSE SIZING TO BE AS FOLLOWS:

VA RATING	200-208 VAC	220-240 VAC	380-415 VAC	440-480 VAC	550-600 VAC
75 VA	1.8 AMP	1.5 AMP	0.8 AMP	0.8 AMP	0.6 AMP
150 VA	3.5 AMP	3.0 AMP	1.8 AMP	1.5 AMP	1.25 AMP

OPTIONS LIST - OPTIONS MARKED WITH AN "X" ARE INCLUDED							
C	E	H	L	M	P	R	S
							X



STANDARD SCHEMATIC DIAGRAM
MP15 MICRO JOCKEY PUMP CONTROLLER
THREE PHASE

DATE: 10/17/2014
DR. DAMA
CK.
APPR.

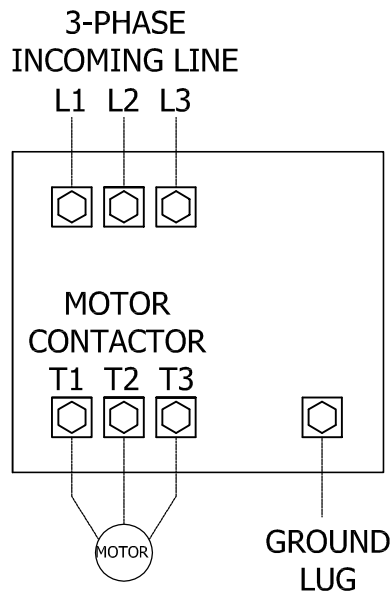


METRON
Division of Hubbell-ICD, Inc.
4301 Cheyenne Drive Archdale, N.C. 27263

DRG. NO.
1 OF 1

HCMP15S3P

STANDARD MP15 JOCKEY



NOTES

1. INCOMING LINE TERMINALS ARE PROVIDED TO ACCOMMODATE 125% OF MOTOR FULL LOAD CURRENT PER NFPA-20 AND NFAP-70.
2. COPPER (CU) WIRE IS RECOMMENDED.
3. FOR FIELD CONNECTION WIRE; 16 GA AWG MINIMUM. REFER TO NFPA-70 FOR FIELD WIRE SIZING.
- 4. PRESSURE SENSING LINE CONNECTION IS 1/2" MALE NPT.**
5. REFER TO SCHEMATIC DRAWING: HCMP15S FOR MORE INFORMATION.

LINEAR	HOLE	ANGLES	FIELD CONNECTION DIAGRAM	
0.X = ± .050	PUNCH ± .002	DIMEN. ± 1'		MP15 MICRO JOCKEY
0.XX = ± .020	< .50 ± .002	UNDIM. 90' ± 2'		
0.XXX = ± .005	> .50 ± .002			
CADD NO. HCMP15F.idw				
R.M.S.	DATE 10/18/2013	DR.	CK.	APPR.
METRON Div. of Hubbell-ICD, Inc. 4301 Cheyenne Drive Archdale, N.C. 27263			DRG. NO. 1 OF 1 HCMP15F	