



# VIPER



# VERSATILITY

## DESIGN

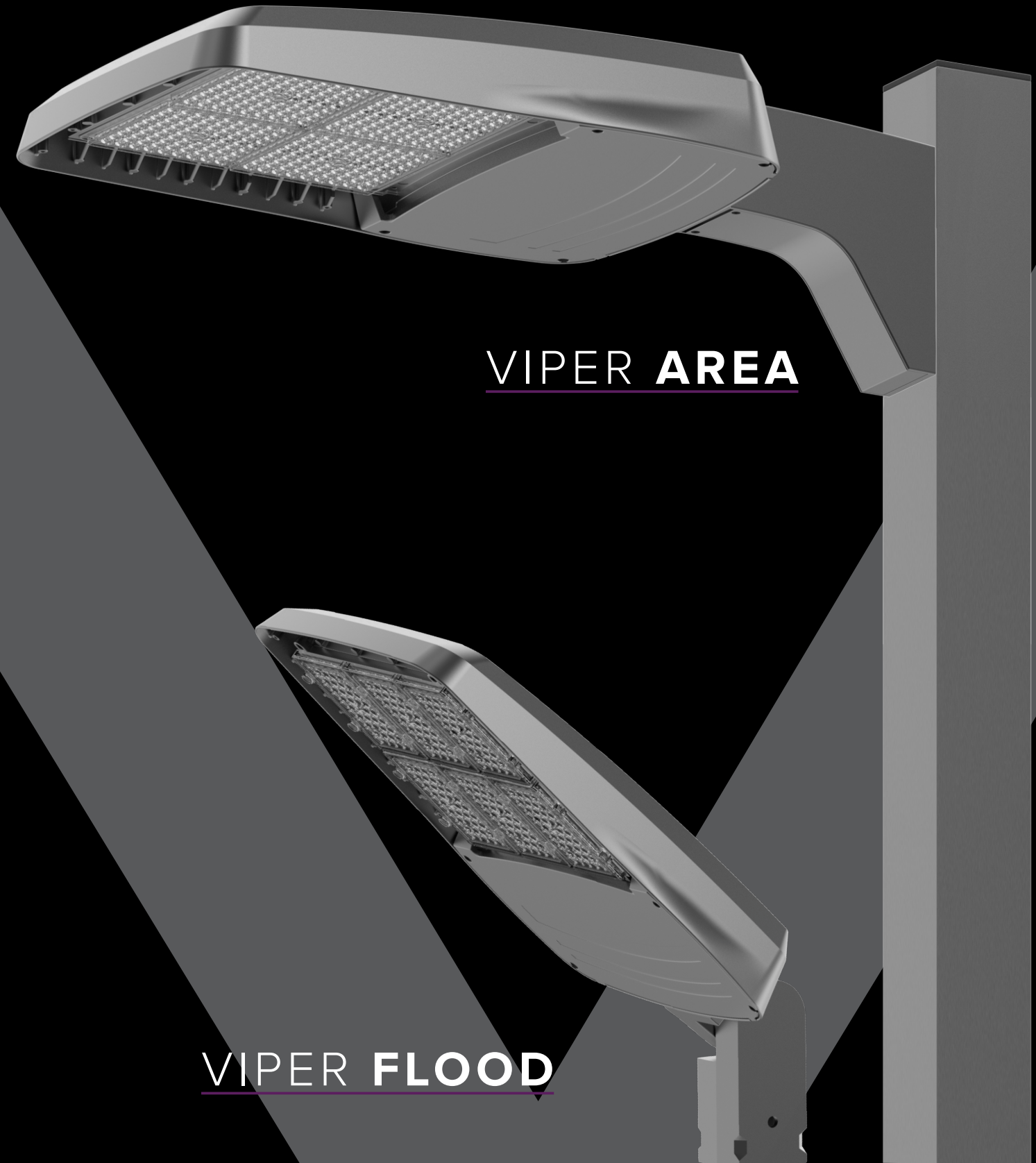
The new Viper includes scalable Area and Flood designs capable of complementing contemporary or traditional architecture. Additional features such as multiple mounting options, replaceable power doors and an IP65 rating are standard offerings in this exceptionally versatile fixture.

## PERFORMANCE

Each product is available with a variety of lumen outputs and distributions to satisfy a wide range of applications. Viper's scalability allows us to customize the output to meet specific design criteria. The precise beam control of the Viper helps reduce energy consumption and light trespass while providing high uniformity and visual acuity.

## TECHNOLOGY

Simple or dynamic controls are available in every product configuration to give solutions for ever-changing code requirements and additional energy savings.



VIPER AREA

VIPER FLOOD

# DESIGN

# VIPER

The versatility of the Viper design allows for this fixture to be used in contemporary and traditional applications. With four sizes in both area and flood, the luminaire scales from pedestrian walkways to lighting up the tallest buildings in the skyline.



Viper Area  
Size 1 (VP1)  
Lumen Range:  
5,500-21,000



Viper Area  
Size 2 (VP2)  
Lumen Range:  
21,000-40,000



Viper Area  
Size 3 (VP3)  
Lumen Range:  
40,000-60,000



Viper Area  
Size 4 (VP4)  
Lumen Range:  
60,000-80,000



Viper Flood  
Size 1 (VP-F1)  
Lumen Range:  
5,500-18,000



Viper Flood  
Size 2 (VP-F2)  
Lumen Range:  
18,000-33,000



Viper Flood  
Size 3 (VP-F3)  
Lumen Range:  
36,000-44,000



Viper Flood  
Size 4 (VP-F4)  
Lumen Range:  
48,000-60,000

# DESIGN

# VIPER

## MOUNTING

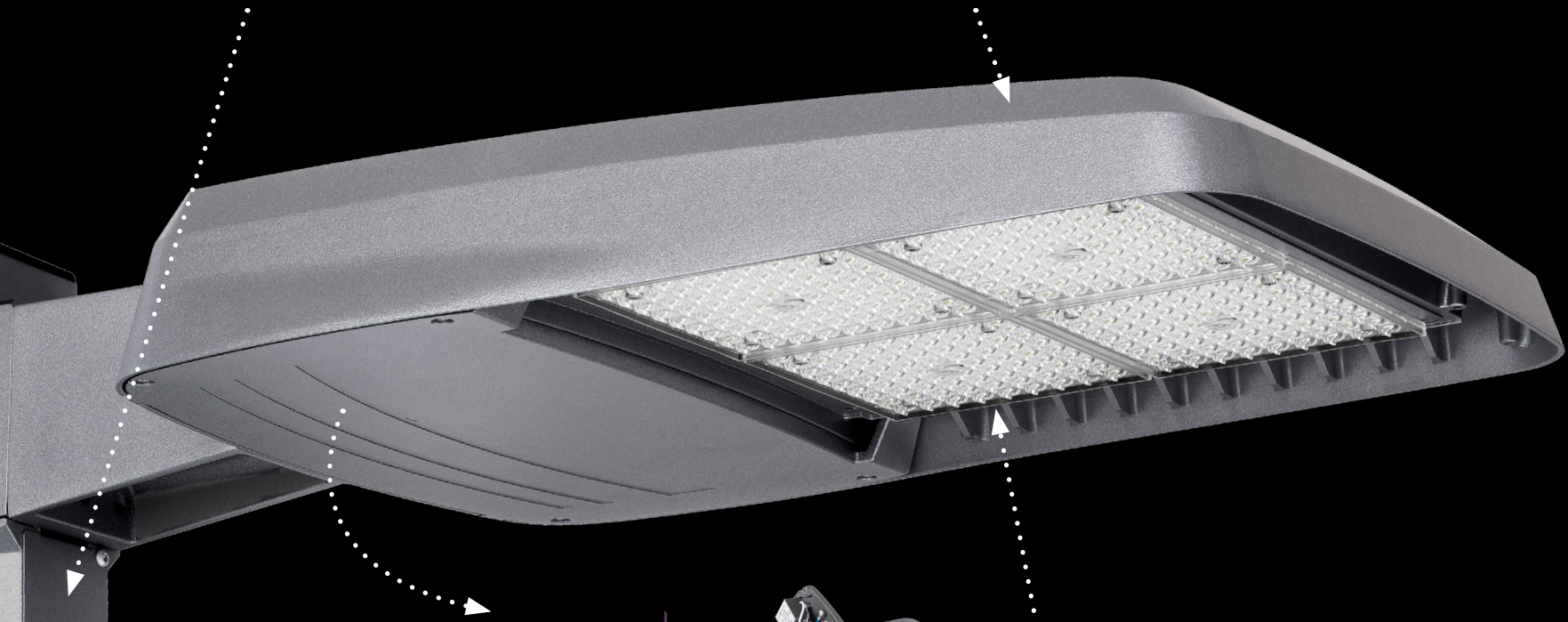
### UNIVERSAL MOUNTING BLOCK

The universal arm mount comes standard with a separate mounting block that is bolted to the pole prior to the fixture for ease of installation. All universal mounting options are compatible with drill patterns from 2.5" to 4.5".

### INTERNAL VENTING

The luminaire design incorporates internal fins to improve air flow and thus cool the electrical components and extend the life of the product. All of this is done without compromising the overall form and silhouette of the Viper.

Versatile mounting configurations provide options for every application, simple or decorative, static or rotatable. All mounting options are field interchangeable. Every configuration shown below is available on the Viper Area and rotatable mounting options are available on the Viper Flood.



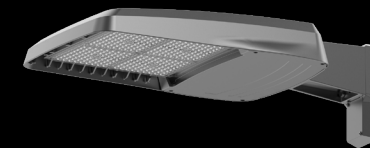
### HINGED ACCESS

The easily accessible driver compartment houses all electrical components which are mounted to the door for simple replacement if needed. All wiring connections are made with quick disconnects to simplify installation.

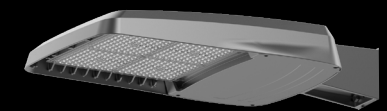


### OPTICAL BEZEL

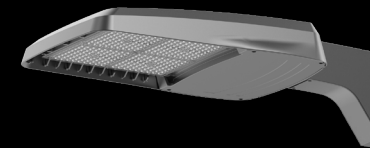
The one-piece square optical bezel allows for in-field rotation of any asymmetric distribution.



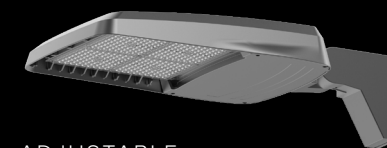
UNIVERSAL ARM MOUNT



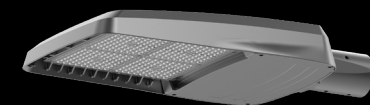
STRAIGHT ARM MOUNT



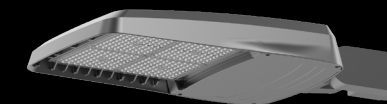
DECORATIVE UPSWEPT ARM



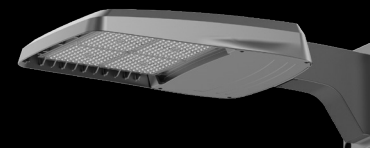
ADJUSTABLE ARM FOR POLE MOUNTING



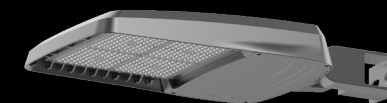
MAST ARM FITTER



KNUCKLE



WALL ARM BRACKET



TRUNNION



1.5G  
VIBRATION

IP65



# PERFORMANCE

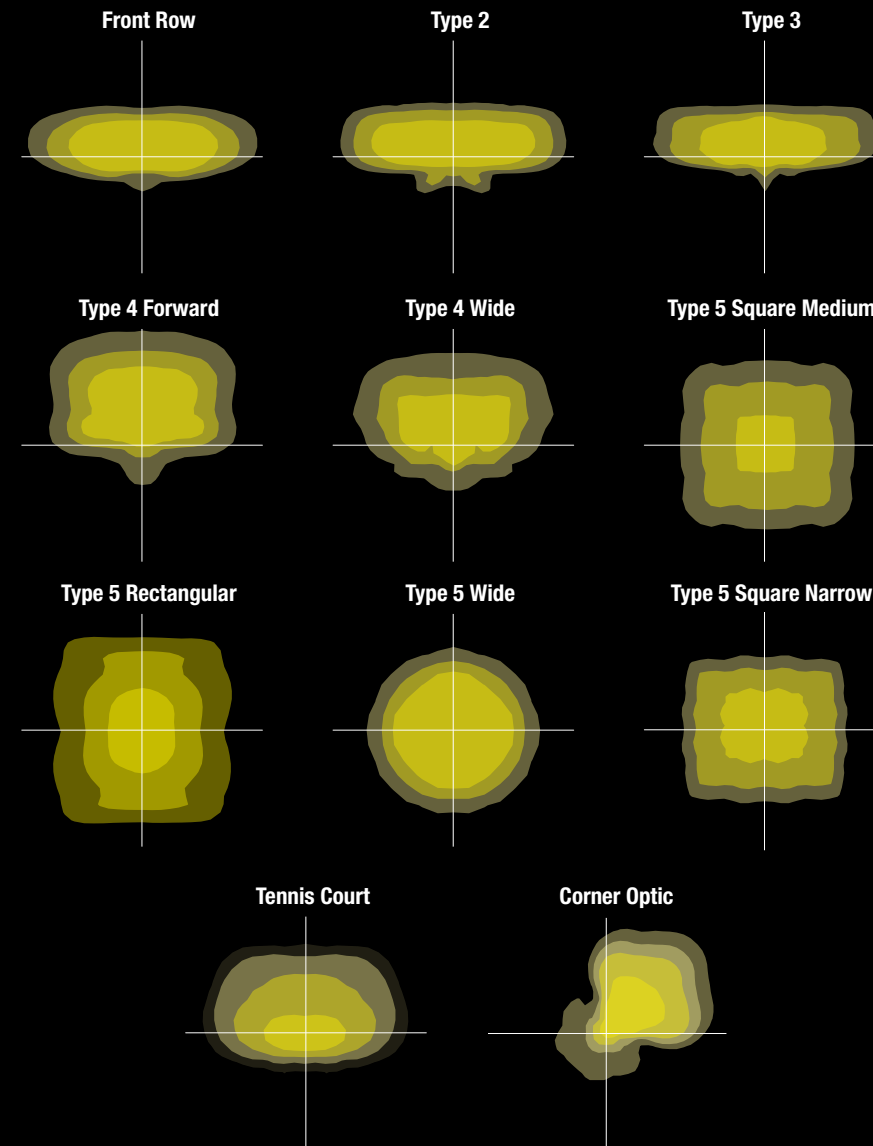
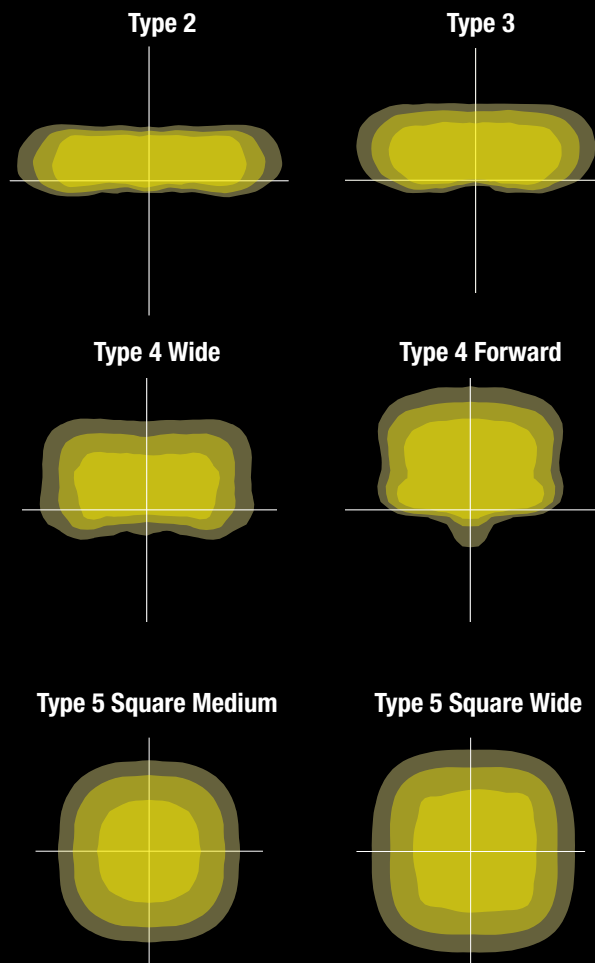
# VIPER

## AREA MICRO STRIKE OPTICS

Micro Strike optics are one of the optical choices available in the Viper. These optics have been specifically designed to replace HID luminaires with improved uniformity on application. This, combined with the high lumens per watt, makes Micro Strike the perfect choice for the most common applications.

## AREA STRIKE OPTICS

Strike optics are another optic choice that allow for maximized pole spacing, minimal backlight and provide specialty distributions for unique application requirements.



## BENEFITS

- Key distributions for every day applications
- High efficacy and lumens per watt
- Single piece optic provides more visual comfort
- Phosphor converted amber LED option
- Field rotatable for flexibility in mounting orientations
- Backlight control available to reduce light behind the pole

## BENEFITS

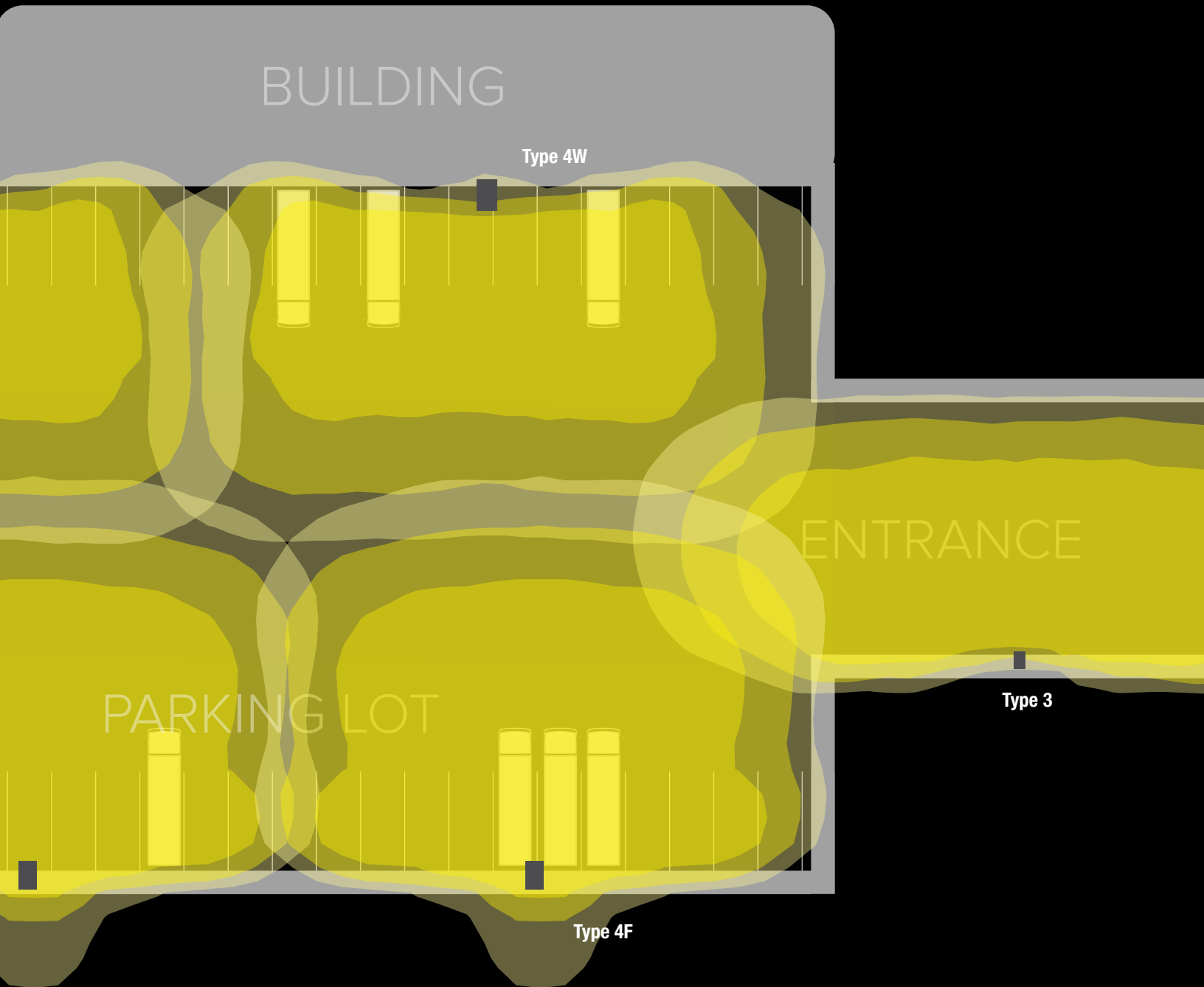
- Specialty Distributions for unique applications or specification requirements
- Maximum Fixture Spacing
- Individual optics provide greater optical control
- True amber LED option
- Field rotatable for flexibility in mounting orientations
- Backlight control available to reduce light behind the pole

**MICRO STRIKE**

**OPTICS STRIKE**

# PERFORMANCE

## AREA MICRO STRIKE OPTICS



# VIPER

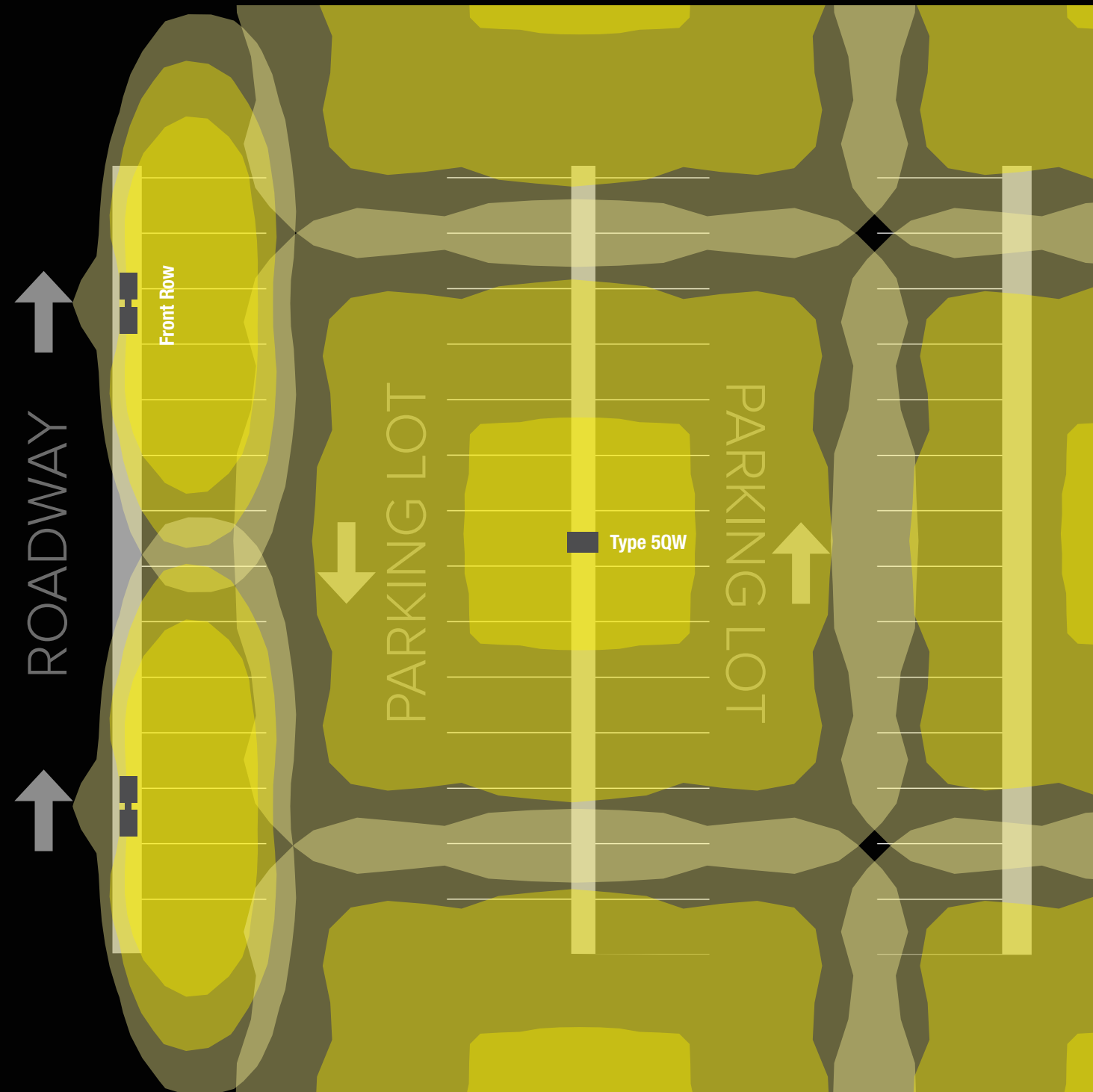


## MICRO STRIKE

The Viper's Micro Strike optics provide the most utilized distributions in area lighting applications. The layout shows a distribution center with a Type 3 distribution for the entrance, a Type 4 wide distribution around the building perimeter and a Type 4 Forward Throw to provide sufficient coverage across the lot. Micro Strike optics also provide minimal backlight to enhance street side efficiency and meet target light levels while using less energy.

# PERFORMANCE

## AREA STRIKE OPTICS



# VIPER



## OPTICS STRIKE

The Viper's Strike optics provide a large breadth of standard and specialty distributions. The layout shows an auto dealership utilizing the Front Row optic to achieve higher footcandle levels on the first row of vehicles without spilling back light into the roadway. With the rotatable optics, these luminaires can be mounted on either side of the pole and the optics turned towards the lot. Uniformity is also achieved using Type 5 medium distributions through the remainder of the lot. The layout to the left shows two Viper size 2 configurations used per pole but a single Viper size 4 could also be used to achieve the same light levels.

# PERFORMANCE

# VIPER

## VISUAL COMFORT

The Viper's unique optical design combines visual uniformity with the precise distribution of a Total Internal Reflection (TIR) optic. Five times the luminous surface area provides optimal light distribution plus visual comfort.

## BACKLIGHT CONTROL

Less than 12% of the light emitted out of Micro Strike and Strike is thrown behind the pole, meaning 88% is utilized on application. That inherently means less energy is wasted on light that is not being used. For even greater backlight control, additional backlight control shields can be used to limit spill down to 5%.



	Competitor Optic (COB)	Micro Strike Optics (TIR)
Approximate Luminous Surface Area	10in <sup>2</sup>	50in <sup>2</sup>
Approximate Total Lumen Output	10,000	10,000
Lumens per inch <sup>2</sup>	1,000	200





# PERFORMANCE

# VIPER

## MICRO STRIKE & STRIKE OPTICS

Both the Micro Strike and Strike optics can also be combined in application to create a blended solution. Use the Micro Strike as the base of the design and sprinkle in the Strike specialty distributions where needed. This gives a unique mix of efficiency and optimized performance. These optics were also designed to have the same appearance when installed so the day-form aesthetic does not need to be sacrificed for optimal performance.



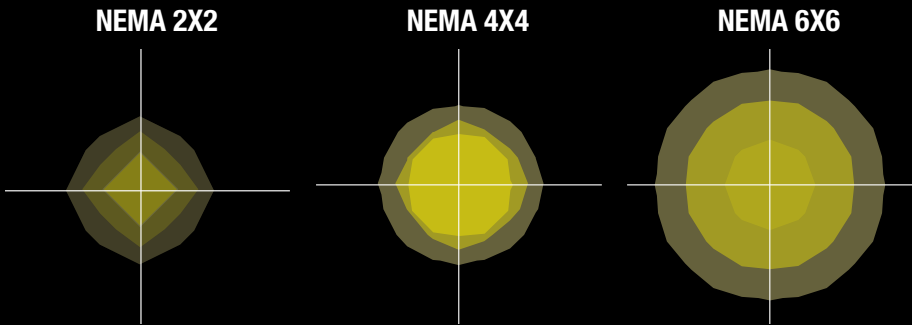
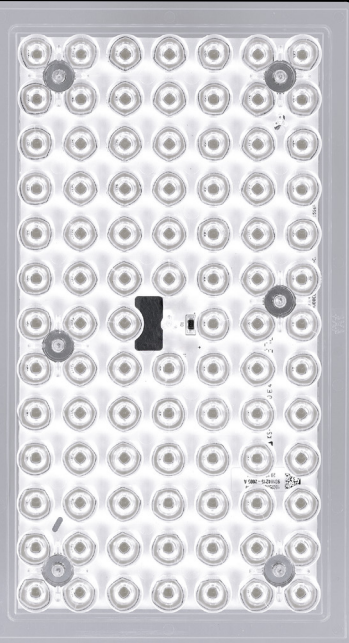
# PERFORMANCE

# VIPER

## FLOOD MICRO STRIKE & STRIKE OPTICS

The Viper Flood also offers Micro Strike and Strike optics to cover a wider variety of application needs using both symmetric and asymmetric distributions. The Viper Flood is also IP65 sealed so it can be aimed in an upward orientation unlike traditional area lights.

### MICRO STRIKE



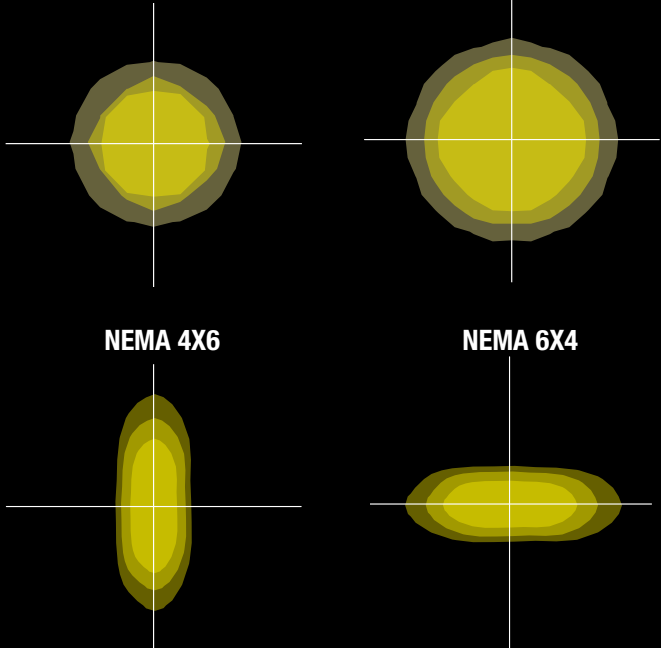
NEMA 2x2

NEMA 4x4

NEMA 6x6

NEMA 3x3

NEMA 5x5



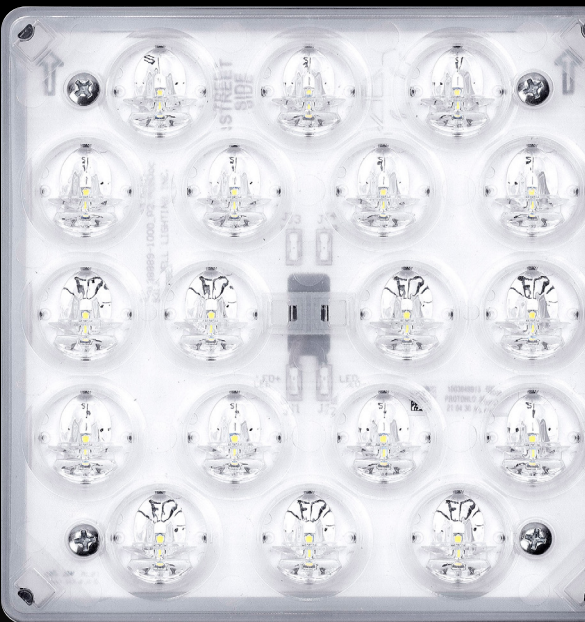
NEMA 3x3

NEMA 5x5

NEMA 4x6

NEMA 6x4

### OPTICS STRIKE





A wide array of control options are available in the Viper from stand-alone controls to remote accessible wireless systems that can scale to an entire campus. This technology allows users to choose the solution that will create the most comfortable and safe environment for occupants while still saving energy and complying with ever-changing energy codes.

**NX DISTRIBUTED INTELLIGENCE™**  
 Hubbell Control Solutions' NX Distributed Intelligence™ platform delivers a seamless lighting control solution. NX is capable of scaling from standalone fixture and room control applications to networked enterprise deployments. NX operates using wired, wireless and hybrid connectivity with native BACnet™ support.

**wiSCAPE®**  
 Using the Manage, Monitor and Measure concepts, the wiSCAPE® wireless outdoor lighting control system builds on the energy and maintenance savings of an LED lighting installation by reducing money wasted on "lights out" calls, maintenance crew sweeps, as well as control strategies that exceed today's code requirements.

Control Option	NX Wireless	NX Wireless with Occupancy	Bluetooth® Occupancy Sensor	AutoDim Scheduling	7-Pin Photocontrol Receptacle	3-Pin Photocontrol Receptacle	wiSCAPE®	wiSCAPE® with Occupancy
Networkable	•	•			•		•	•
Scheduling	•	•		•	•		•	•
Occupancy		•	•		•		•	•
Daylight Harvesting		•	•		•		•	•
On/Off Control	•	•	•	•	•	•	•	•

\* Area with occupancy sensor & Flood knuckle with occupancy sensor.

# ORDERING GUIDE

## AREA MICRO STRIKE OPTICS

Example: VP-2-320L-145-3K7-2-R-UNV-A3-BLT

VP Series	Optic Platform	Size	Light Engine	CCT/CRI	Distribution	Optic Rotation	Voltage
VP Viper	Micro Strike	1 Size 1	160L-35 <sup>6</sup> 5500 lumens 160L-50 <sup>6</sup> 7500 lumens 160L-75 10000 lumens 160L-100 12500 lumens 160L-115 15000 lumens 160L-135 18000 lumens	AP AP-Amber Phosphor Converted 27K8 2700K, 80 CRI 3K7 3000K, 70 CRI 3K8 3000K, 80 CRI 35K8 3500K, 80 CRI 3K9 3000K, 90 CRI 4K7 4000K, 70 CRI 4K8 4000K, 80 CRI 4K9 4000K, 90 CRI 5K7 5000K, 70 CRI 5K8 5000K, 80 CRI 5K9 5000K, 90 CRI	2 Type 2 3 Type 3 4F Type 4 Forward 4W Type 4 Wide 5QM Type 5 Square Medium 5QW Type 5 Square Wide	L Optic rotation left R Optic rotation right	UNV 120-277V 120 120V 208 208V 240 240V 277 277V 347 347V 480 480V ND No Driver
		2 Size 2	160L-160 21000 lumens 320L-145 21000 lumens 320L-170 24000 lumens 320L-185 27000 lumens 320L-210 30000 lumens 320L-235 33000 lumens 320L-255 36000 lumens 320L-315 <sup>6</sup> 40000 lumens				
		3 Size 3	480L-285 40000 lumens 480L-320 44000 lumens 480L-340 48000 lumens 480L-390 52000 lumens 480L-425 55000 lumens 480L-470 60000 lumens				
		4 Size 4	720L-435 60000 lumens 720L-475 65000 lumens 720L-515 70000 lumens 720L-565 <sup>6</sup> 75000 lumens 720L-600 <sup>6</sup> 80000 lumens CLO Custom Lumen Output <sup>1</sup>				

Mounting	Color	Options	Network Control Options
<b>A</b> Arm mount for square pole/flat surface <b>A_</b> Arm mount for round pole <sup>2</sup> <b>ASQU</b> Universal arm mount for square pole <b>A_U</b> Universal arm mount for round pole <sup>2</sup> <b>AAU</b> Adjustable arm for pole mounting (universal drill pattern) <b>AA_U</b> Adjustable arm mount for round pole <sup>2</sup> <b>ADU</b> Decorative upswept Arm (universal drill pattern) <b>AD_U</b> Decorative upswept arm mount for round pole <sup>2</sup> <b>MAF</b> Mast arm fitter for 2-3/8" OD horizontal arm <b>K</b> Knuckle <b>T</b> Trunnion <b>WB</b> Wall Bracket	<b>BLT</b> Black Matte Textured <b>BLS</b> Black Gloss Smooth <b>DBT</b> Dark Bronze Matte Textured <b>DBS</b> Dark Bronze Gloss Smooth <b>GTT</b> Graphite Matte Textured <b>LGS</b> Light Grey Gloss Smooth <b>LGT</b> Light Grey Gloss Textured <b>PSS</b> Platinum Silver Smooth <b>WHT</b> White Matte Textured <b>WHS</b> White Gloss Smooth <b>VGT</b> Verde Green Textured <b>Color Option</b> <b>CC</b> Custom Color	<b>F</b> Fusing <b>2PF</b> Dual Power Feed <b>2DR</b> Dual Driver <b>TE</b> Tooless Entry <b>BC</b> Backlight Control <b>TB</b> Terminal Block	<b>NXSPW-14F</b> NX Wireless, PIR Occupancy Sensor, Dimming Daylight Harvesting, 14' <sup>1,3,4</sup> <b>NXSPW-40F</b> NX Wireless, PIR Occupancy Sensor, Dimming Daylight Harvesting, 40' <sup>1,3,4</sup> <b>NXSP-14F</b> NX, PIR Occupancy Sensor, Dimming Daylight Harvesting, 14' <sup>3,4</sup> <b>NXSP-40F</b> NX, PIR Occupancy Sensor, Dimming Daylight Harvesting, 40' <sup>3,4</sup> <b>NXWE</b> NX Wireless Enabled (module + radio) <sup>3,4</sup> <b>WIR</b> wiSCAPE® In-Fixture Module <sup>3,4</sup> <b>WIRSC</b> wiSCAPE® Module and Occupancy Sensor <sup>3,4</sup> <b>Stand Alone Sensors</b> <b>SCP-8F</b> Remote control programmable line voltage sensor <sup>4</sup> <b>SCP-20F</b> Remote control programmable line voltage sensor <sup>4</sup> <b>BTS-14F</b> Bluetooth® Programmable, PIR Occupancy/Daylight Sensor <sup>4</sup> <b>BTS-40F</b> Bluetooth® Programmable, PIR Occupancy/Daylight Sensor <sup>4</sup> <b>BTSO-12F</b> Bluetooth® Programmable, PIR Occupancy/Daylight Sensor, up to 12' mounting height <sup>4</sup> <b>7PR</b> 7-Pin Receptacle <sup>4</sup> <b>7PR-SC</b> 7-Pin Receptacle with shorting cap <sup>4</sup> <b>3PR</b> 3-Pin twist lock <sup>4</sup> <b>3PR-SC</b> 3-Pin receptacle with shorting cap <sup>4</sup> <b>3PR-TL</b> 3-Pin PCR with photocontrol <sup>4</sup> <b>Programmed Controls</b> <b>ADD</b> AutoDim Timer Based Dimming <sup>4</sup> <b>ADT</b> AutoDim Time of Day Dimming <sup>4</sup> <b>Photocontrols</b> <b>PC</b> Button Photocontrol <sup>4,5</sup>

1 - Items with a grey background can be done as a custom order. Contact brand representative for more information  
2 - Replace "-" with "2" for 2.5"-3.4" OD pole, "3" for 3.5"-4.13" OD pole, "4" for 4.18"-5.25" OD pole, "5" for 5.5"-6.5" OD pole  
3 - Networked Controls cannot be combined with other control options  
4 - Not available with 2PF option

5 - Not available with Dual Driver option  
6 - Some voltage restrictions may apply when combined with controls

# VIPER

## AREA STRIKE OPTICS

Example: VP-ST-1-36L-39-3K7-2-UNV-A-BLT

VP Series	Optic Platform	Size	Light Engine	CCT/CRI	Distribution	Optic Rotation	Voltage
VP Viper	ST Strike	1 Size 1	36L-39 <sup>8</sup> 5500 lumens 36L-55 <sup>8</sup> 7500 lumens 36L-85 10000 lumens 36L-105 12500 lumens 36L-120 14000 lumens 72L-115 15000 lumens 72L-145 18000 lumens 72L-180 21000 lumens 72L-210 24000 lumens 72L-240 27000 lumens 108L-215 <sup>8</sup> 27000 lumens 108L-250 30000 lumens 108L-280 33000 lumens 108L-325 36000 lumens 108L-365 40000 lumens 162L-320 40000 lumens 162L-365 <sup>10</sup> 44000 lumens 162L-405 48000 lumens 162L-445 52000 lumens 162L-485 55000 lumens 162L-545 <sup>8</sup> 60000 lumens CLO Custom Lumen Output <sup>1</sup>	AM Amber 27K8 2700K, 80 CRI 3K7 3000K, 70 CRI 3K8 3000K, 80 CRI 3K9 3000K, 90 CRI 35K8 3500K, 80 CRI 4K7 4000K, 70 CRI 4K8 4000K, 80 CRI 4K9 4000K, 90 CRI 5K7 5000K, 70 CRI 5K8 5000K, 80 CRI 5K9 5000K, 90 CRI	FR Auto Front Row 2 Type 2 3 Type 3 3M Type 3 Medium 4F Type 4 Forward 4M Type 4 Medium 4W Type 4 Wide 5QN Type 5 Square Narrow 5QM Type 5 Square Medium 5QW Type 5 Square Wide 5W Type 5 Wide (Round) 5RW Type 5 Rectangular C Corner Optic TC Tennis Court Optic	L Optic rotation left R Optic rotation right	UNV 120-277V 120 120V 208 208V 240 240V 277 277V 347 347V 480 480V ND No Driver
		2 Size 2					
		3 Size 3					
		4 Size 4					

Mounting	Color	Options	Network Control Options
<b>A</b> Arm mount for square pole/flat surface <b>A_</b> Arm mount for round pole <sup>3</sup> <b>ASQU</b> Universal arm mount for square pole <b>A_U</b> Universal arm mount for round pole <sup>3</sup> <b>AAU</b> Adjustable arm for pole mounting (universal drill pattern) <b>AA_U</b> Adjustable arm mount for round pole <sup>3</sup> <b>ADU</b> Decorative upswept Arm (universal drill pattern) <b>AD_U</b> Decorative upswept arm mount for round pole <sup>3</sup> <b>MAF</b> Mast arm fitter for 2-3/8" OD horizontal arm <b>K</b> Knuckle <b>T</b> Trunnion <b>WB</b> Wall Bracket	<b>BLT</b> Black Matte Textured <b>BLS</b> Black Gloss Smooth <b>DBT</b> Dark Bronze Matte Textured <b>DBS</b> Dark Bronze Gloss Smooth <b>GTT</b> Graphite Matte Textured <b>LGS</b> Light Grey Gloss Smooth <b>LGT</b> Light Grey Gloss Textured <b>PSS</b> Platinum Silver Smooth <b>WHT</b> White Matte Textured <b>WHS</b> White Gloss Smooth <b>VGT</b> Verde Green Textured <b>Color Option</b> <b>CC</b> Custom Color	<b>F</b> Fusing <b>E</b> Battery Backup <sup>12,7,8,9</sup> <b>2PF</b> Dual Power Feed <b>2DR</b> Dual Driver <b>TE</b> Tooless Entry <b>BC</b> Backlight Control <b>TB</b> Terminal Block	<b>NXSPW-14F</b> NX Wireless, PIR Occupancy Sensor, Dimming Daylight Harvesting, 14' <sup>1,4,5</sup> <b>NXSPW-40F</b> NX Wireless, PIR Occupancy Sensor, Dimming Daylight Harvesting, 40' <sup>1,4,5</sup> <b>NXSP-14F</b> NX, PIR Occupancy Sensor, Dimming Daylight Harvesting, 14' <sup>4,5</sup> <b>NXSP-40F</b> NX, PIR Occupancy Sensor, Dimming Daylight Harvesting, 40' <sup>4,5</sup> <b>NXWE</b> NX Wireless Enabled <sup>4,5</sup> <b>WIR</b> wiSCAPE® In-Fixture Module <sup>4,5</sup> <b>WIRSC</b> wiSCAPE® Module and Occupancy Sensor <sup>4,5</sup> <b>Stand Alone Sensors</b> <b>SCP-8F</b> Remote control programmable line voltage sensor <sup>5</sup> <b>SCP-20F</b> Remote control programmable line voltage sensor <sup>5</sup> <b>BTS-14F</b> Bluetooth® Programmable, PIR Occupancy/Daylight Sensor <sup>5</sup> <b>BTS-40F</b> Bluetooth® Programmable, PIR Occupancy/Daylight Sensor <sup>5</sup> <b>BTSO-12F</b> Bluetooth® Programmable, PIR Occupancy/Daylight Sensor, up to 12' mounting height <sup>5</sup> <b>7PR</b> 7-Pin Receptacle <sup>5</sup> <b>7PR-SC</b> 7-Pin Receptacle with shorting cap <sup>5</sup> <b>3PR</b> 3-Pin twist lock <sup>5</sup> <b>3PR-SC</b> 3-Pin receptacle with shorting cap <sup>5</sup> <b>3PR-TL</b> 3-Pin PCR with photocontrol <sup>5</sup> <b>Programmed Controls</b> <b>ADD</b> AutoDim Timer Based Dimming <sup>5</sup> <b>ADT</b> AutoDim Time of Day Dimming <sup>5</sup> <b>Photocontrols</b> <b>PC</b> Button Photocontrol <sup>5,6</sup>

1 - Items with a grey background can be done as a custom order. Contact brand representative for more information  
2 - Battery temperature rating -20C to 55C  
3 - Replace "-" with "2" for 2.5"-3.4" OD pole, "3" for 3.5"-4.13" OD pole, "4" for 4.18"-5.25" OD pole, "5" for 5.5"-6.5" OD pole  
4 - Networked Controls cannot be combined with other control options  
5 - Not available with 2PF option  
6 - Not available with 480V  
7 - Not available with 347 or 480V  
8 - Not available with Dual Driver option

9 - Only available in Size 1 housing  
10 - Some voltage restrictions may apply when combined with controls

## FLOOD MICRO STRIKE OPTICS

Example: VP-F-2-132L-39-3K8-4x4-UNV-AAU-BLT

CATALOG #						
VP-F	Optic Platform	Size	Light Engine	CCT/CRI	Distribution	Voltage
VP-F Viper Flood	Microstrike	1 Size 1 <sup>6</sup>	<b>132L-39</b> 5500 lumens <b>132L-55</b> 7500 lumens <b>132L-75</b> 10000 lumens <b>132L-100</b> 12500 lumens <b>132L-120</b> 15000 lumens <b>132L-135</b> 18000 lumens	<b>AP</b> AP-Amber Phosphor Converted <b>27K8</b> 2700K, 80 CRI <b>3K7</b> 3000K, 70 CRI <b>3K8</b> 3000K, 80 CRI <b>35K8</b> 3500K, 80 CRI	<b>2X2</b> Narrow Spot <b>4X4</b> Medium Spot <b>6X6</b> Wide Flood	<b>UNV</b> 120-277V <b>120</b> 120V <b>208</b> 208V <b>240</b> 240V <b>277</b> 277V <b>347</b> 347V <b>480</b> 480V <b>ND</b> No Driver
		2 Size 2	<b>264L-130</b> 18000 lumens <b>264L-155</b> 21000 lumens <b>264L-175</b> 24000 lumens <b>264L-205</b> 27000 lumens <b>264L-235</b> 30000 lumens <b>264L-260</b> 33000 lumens	<b>3K9</b> 3000K, 90 CRI <b>4K7</b> 4000K, 70 CRI <b>4K8</b> 4000K, 80 CRI <b>4K9</b> 4000K, 90 CRI <b>5K7</b> 5000K, 70 CRI <b>5K8</b> 5000K, 80 CRI <b>5K9</b> 5000K, 90 CRI		
		3 Size 3	<b>360L-270</b> 36000 lumens <b>360L-310</b> 40000 lumens <b>360L-345</b> 44000 lumens			
		4 Size 4	<b>540L-350</b> 48000 lumens <b>540L-390</b> 52000 lumens <b>540L-415</b> 55000 lumens <b>540L-460</b> 60000 lumens <sup>7</sup>			
			<b>CLO</b> Custom Lumen Output <sup>1</sup>			

Mounting	Color	Options	Network Control Options
<b>AAU</b> Adjustable Arm	<b>BLT</b> Black Matte Textured	<b>F</b> Fusing	<b>NXSPW-14F</b> NX Wireless, PIR Occupancy Sensor, Dimming Daylight Harvesting, 14' <sup>1,3,4,8</sup>
<b>AA_U</b> Adjustable arm mount for round pole <sup>9</sup>	<b>BLS</b> Black Gloss Smooth	<b>2PF</b> Dual Power Feed <sup>2</sup>	<b>NXSPW-30F</b> NX Wireless, PIR Occupancy Sensor, Dimming Daylight Harvesting, 30' <sup>1,3,4,8</sup>
<b>K</b> Knuckle	<b>DBT</b> Dark Bronze Matte Textured	<b>2DR</b> Dual Driver	<b>NXSP-14F</b> NX, PIR Occupancy Sensor, Dimming Daylight Harvesting, 14' <sup>3,4,8</sup>
<b>T</b> Trunnion	<b>DBS</b> Dark Bronze Gloss Smooth	<b>TE</b> Tooless Entry	<b>NXSP-30F</b> NX, PIR Occupancy Sensor, Dimming Daylight Harvesting, 30' <sup>3,4,8</sup>
	<b>GTT</b> Graphite Matte Textured	<b>BC</b> Backlight Control	<b>NXWE</b> NX Wireless Enabled (module + radio) <sup>3,4,8</sup>
	<b>LGS</b> Light Grey Gloss Smooth	<b>TB</b> Terminal Block	<b>WIR</b> wiSCAPE® In-Fixture Module <sup>3,4,8</sup>
	<b>LGT</b> Light Grey Gloss Textured		<b>Stand Alone Sensors</b>
	<b>PSS</b> Platinum Silver Smooth		<b>SCP-8F</b> Remote control programmable line voltage sensor <sup>4</sup>
	<b>WHT</b> White Matte Textured		<b>SCP-20F</b> Remote control programmable line voltage sensor <sup>4</sup>
	<b>WHS</b> White Gloss Smooth		<b>BTS-14F</b> Bluetooth® Programmable, PIR Occupancy/Daylight Sensor <sup>4,8</sup>
	<b>VGT</b> Verde Green Textured		<b>BTS-40F</b> Bluetooth® Programmable, PIR Occupancy/Daylight Sensor <sup>4,8</sup>
	<b>LEG</b> Legacy Colors		<b>BTSO-12F</b> Bluetooth® Programmable, PIR Occupancy/Daylight Sensor, up to 12' mounting height <sup>4,8</sup>
	<b>Color Option</b>		<b>Stand Alone Sensors</b>
	<b>CC</b> Custom Color		<b>7PR</b> 7-Pin Receptacle <sup>4</sup>
			<b>7PR-SC</b> 7-Pin Receptacle with shorting cap <sup>4</sup>
			<b>3PR</b> 3-Pin twist lock <sup>4</sup>
			<b>3PR-SC</b> 3-Pin receptacle with shorting cap <sup>4</sup>
			<b>3PR-TL</b> 3-Pin PCR with photocontrol <sup>4</sup>
			<b>Programmed Controls</b>
			<b>ADD</b> AutoDim Timer Based Dimming <sup>4</sup>
			<b>ADT</b> AutoDim Time of Day Dimming <sup>4</sup>
			<b>Photocontrols</b>
			<b>PC</b> Button Photocontrol <sup>4,5</sup>

1 – Items with a grey background can be done as a custom order. Contact brand representative for more information  
 2 – Not available with trunnion mount  
 3 – Networked Controls cannot be combined with other control options and are limited based on mounting orientation  
 4 – Not available with 2PF option  
 5 – Not available with 480V  
 6 – Not available with Dual Driver option

7 – Some voltage restrictions may apply when combined with controls  
 8 – Control option not available in 130W or 155W configuration  
 9 – Replace “\_” with “2” for 2.5”-3.4” OD pole, “3” for 3.5”-4.13” OD pole, “4” for 4.18”-5.25” OD pole, “5” for 5.5”-6.5” OD pole

## FLOOD STRIKE OPTICS

Example: VP-F-ST-1-36L-39-3K7-3x3-UNV-AAU-BLT

CATALOG #						
VP-F	Optic Platform	Size	Light Engine	CCT/CRI	Distribution	Voltage
VP-F Viper Flood	ST Strike	1 Size 1	<b>36L-39</b> <sup>7</sup> 5500 lumens <b>36L-55</b> <sup>7</sup> 7500 lumens <b>36L-85</b> 10000 lumens <b>36L-105</b> 12500 lumens <b>36L-120</b> 14000 lumens <b>72L-115</b> 15000 lumens <b>72L-145</b> 18000 lumens <b>72L-180</b> 21000 lumens <b>72L-210</b> 24000 lumens <b>72L-240</b> 27000 lumens <b>108L-215</b> <sup>7</sup> 27000 lumens <b>108L-250</b> 30000 lumens <b>108L-280</b> 33000 lumens <b>108L-325</b> 36000 lumens <b>108L-365</b> 40000 lumens <b>162L-320</b> 40000 lumens <b>162L-365</b> <sup>9</sup> 44000 lumens <b>162L-405</b> 48000 lumens <b>162L-445</b> 52000 lumens <b>162L-485</b> 55000 lumens <b>162L-545</b> <sup>7</sup> 60000 lumens <b>CLO</b> Custom Lumen Output <sup>1</sup>	<b>AM</b> Amber <b>27K8</b> 2700K, 80 CRI <b>3K7</b> 3000K, 70 CRI <b>3K8</b> 3000K, 80 CRI <b>3K9</b> 3000K, 90 CRI <b>35K8</b> 3500K, 80 CRI <b>4K7</b> 4000K, 70 CRI <b>4K8</b> 4000K, 80 CRI <b>4K9</b> 4000K, 90 CRI <b>5K7</b> 5000K, 70 CRI <b>5K8</b> 5000K, 80 CRI <b>5K9</b> 5000K, 90 CRI	<b>3X3</b> Narrow Flood <b>5X5</b> Medium Flood <b>4X6</b> Vertical Flood <b>6X4</b> Horizontal Flood	<b>UNV</b> 120-277V <b>120</b> 120V <b>208</b> 208V <b>240</b> 240V <b>277</b> 277V <b>347</b> 347V <b>480</b> 480V <b>ND</b> No Driver
		2 Size 2				
		3 Size 3				
		4 Size 4				

Mounting	Color	Options	Network Control Options
<b>AAU</b> Adjustable Arm	<b>BLT</b> Black Matte Textured	<b>F</b> Fusing	<b>NXSPW-14F</b> NX Wireless, PIR Occupancy Sensor, Dimming Daylight Harvesting, 14' <sup>1,3,4</sup>
<b>AA_U</b> Adjustable arm mount for round pole <sup>10</sup>	<b>BLS</b> Black Gloss Smooth	<b>E</b> Battery Backup <sup>1,2,6,7,8</sup>	<b>NXSPW-30F</b> NX Wireless, PIR Occupancy Sensor, Dimming Daylight Harvesting, 30' <sup>1,3,4</sup>
<b>K</b> Knuckle	<b>DBT</b> Dark Bronze Matte Textured	<b>2PF</b> Dual Power Feed <sup>2</sup>	<b>NXSP-14F</b> NX, PIR Occupancy Sensor, Dimming Daylight Harvesting, 14' <sup>3,4</sup>
<b>T</b> Trunnion	<b>DBS</b> Dark Bronze Gloss Smooth	<b>2DR</b> Dual Driver	<b>NXSP-30F</b> NX, PIR Occupancy Sensor, Dimming Daylight Harvesting, 30' <sup>3,4</sup>
	<b>GTT</b> Graphite Matte Textured	<b>TE</b> Tooless Entry	<b>NXWE</b> NX Wireless Enabled <sup>3,4</sup>
	<b>LGS</b> Light Grey Gloss Smooth	<b>BC</b> Backlight Control	<b>WIR</b> wiSCAPE® In-Fixture Module <sup>3,4</sup>
	<b>LGT</b> Light Grey Gloss Textured	<b>TB</b> Terminal Block	<b>Stand Alone Sensors</b>
	<b>PSS</b> Platinum Silver Smooth		<b>SCP-8F</b> Remote control programmable line voltage sensor <sup>4</sup>
	<b>WHT</b> White Matte Textured		<b>SCP-20F</b> Remote control programmable line voltage sensor <sup>4</sup>
	<b>WHS</b> White Gloss Smooth		<b>BTS-14F</b> Bluetooth® Programmable, PIR Occupancy/Daylight Sensor <sup>4</sup>
	<b>VGT</b> Verde Green Textured		<b>BTS-40F</b> Bluetooth® Programmable, PIR Occupancy/Daylight Sensor <sup>4</sup>
	<b>LEG</b> Legacy Colors		<b>BTSO-12F</b> Bluetooth® Programmable, PIR Occupancy/Daylight Sensor, up to 12' mounting height <sup>4</sup>
	<b>Color Option</b>		<b>Stand Alone Sensors</b>
	<b>CC</b> Custom Color		<b>7PR</b> 7-Pin Receptacle <sup>4</sup>
			<b>7PR-SC</b> 7-Pin Receptacle with shorting cap <sup>4</sup>
			<b>3PR</b> 3-Pin twist lock <sup>4</sup>
			<b>3PR-SC</b> 3-Pin receptacle with shorting cap <sup>4</sup>
			<b>3PR-TL</b> 3-Pin PCR with photocontrol <sup>4</sup>
			<b>Programmed Controls</b>
			<b>ADD</b> AutoDim Timer Based Dimming <sup>4</sup>
			<b>ADT</b> AutoDim Time of Day Dimming <sup>4</sup>
			<b>Photocontrols</b>
			<b>PC</b> Button Photocontrol <sup>4,5</sup>

1 – Items with a grey background can be done as a custom order. Contact brand representative for more information  
 2 – Not available with trunnion mount  
 3 – Networked Controls cannot be combined with other control options and are limited based on mounting orientation  
 4 – Not available with 2PF option  
 5 – Not available with 480V  
 6 – Not available with 347 or 480V

7 – Not available with Dual Driver option  
 8 – Only available in Size 1 housing  
 9 – Some voltage restrictions may apply when combined with controls  
 10 – Replace “\_” with “2” for 2.5”-3.4” OD pole, “3” for 3.5”-4.13” OD pole, “4” for 4.18”-5.25” OD pole, “5” for 5.5”-6.5” OD pole

# ORDERING – ACCESSORIES

Hubbell Control Solutions — Accessories (Sold Separately)

**NX Distributed Intelligence™**

**NXOFM-1R1D-UNV** On-fixture Module (7-pin), On / Off / Dim, Daylight Sensor with HubbNET Radio and Bluetooth® Radio, 120–480VAC

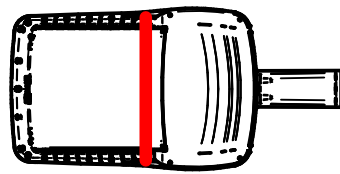
**wiSCAPE® Lighting Control**

**WIR-RME-L** On-fixture Module (7-pin or 5-pin), On / Off / Dim, Daylight Sensor with wiSCAPE® Radio, 110–480VAC

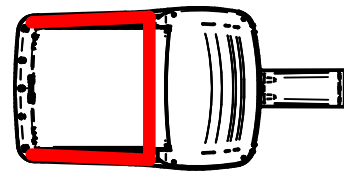
For additional information related to these accessories please visit [www.hubbellcontrolsolutions.com](http://www.hubbellcontrolsolutions.com). Options provided for use with integrated sensor, please view specification sheet ordering information table for details.

**HOUSE SIDE SHIELD FIELD INSTALL ACCESSORIES**

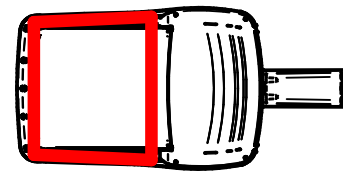
VPR2x HSS-90-B-xx



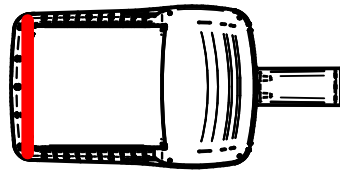
VPR2x HSS-270-BSS-xx



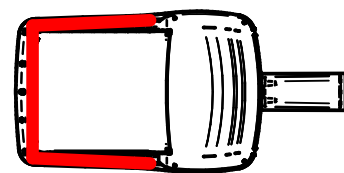
VPR2x HSS-360-xx



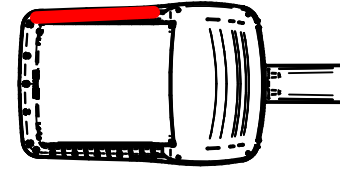
VPR2x HSS-90-F-xx



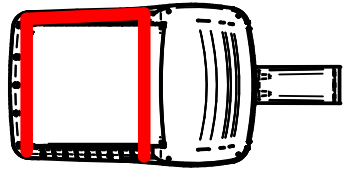
VPR2x HSS-270-FSS-xx



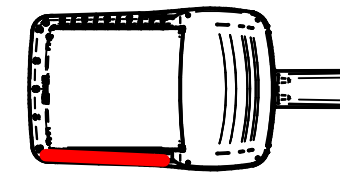
VPR2x HSS-90-S-xx



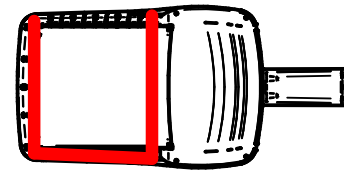
VPR2x HSS-270-FSB-xx



VPR2x HSS-90-S-xx



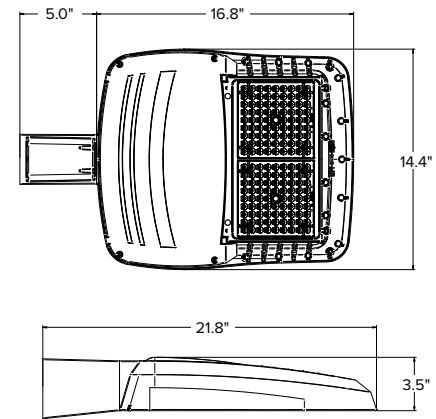
VPR2x HSS-270-FSB-xx



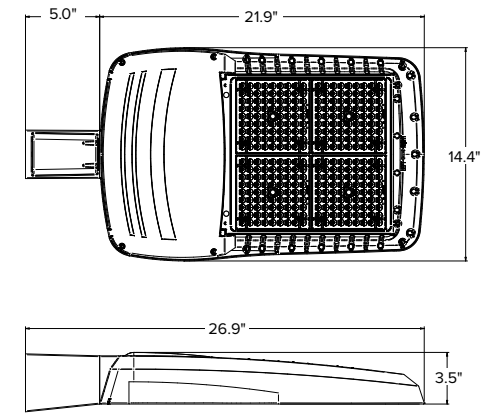
\* X in VPR part number can be replaced with Viper Size.

**DIMENSIONS**

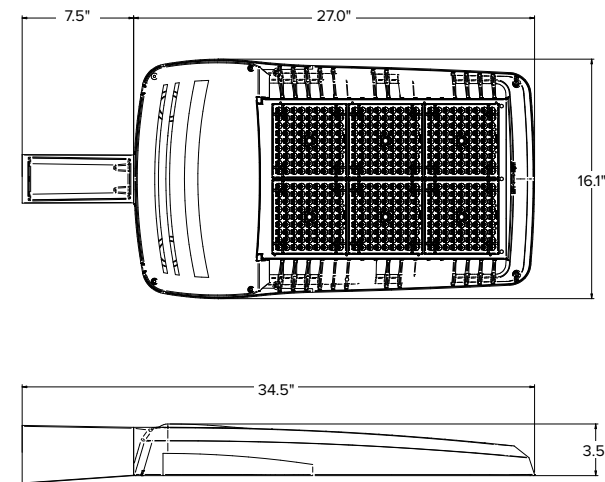
**SIZE 1**



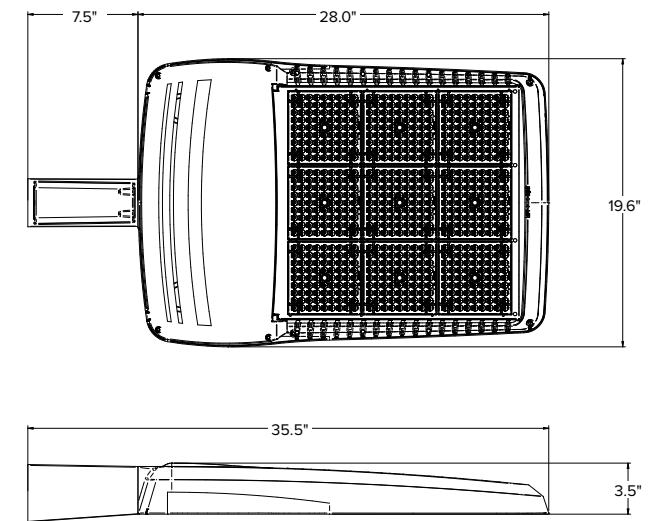
**SIZE 2**



**SIZE 3**



**SIZE 4**



**FINISH OPTIONS**



**BLT** – Black Textured  
**BLS** – Black Smooth



**PSS** – Platinum Silver Smooth



**DBT** – Dark Bronze Textured  
**DBS** – Dark Bronze Smooth



**LGT** – Light Gray Textured  
**LGS** – Light Gray Smooth



**GTT** – Graphite Textured



**WHT** – White Textured  
**WHS** – White Smooth



ARCHITECTURAL AREA LIGHTING

BEACON PRODUCTS

COLUMBIA LIGHTING

COMPASS

DUAL-LITE

HUBBELL CONTROL SOLUTIONS

HUBBELL OUTDOOR LIGHTING

KIM LIGHTING

KURT VERSEN

LITECONTROL

PRESCOLITE



701 Millennium Blvd. Greenville, SC 29607

Tel 864.678.1000

[www.hubbellighting.com](http://www.hubbellighting.com)

HOL00339 2.5K January 11, 2022 4:13 PM

Copyright © 2022 Beacon Lighting, a division of Hubbell Lighting, Inc. All rights reserved.

Please refer to online specifications for most up-to-date content as specifications are subject to change without notice.



The Bluetooth® word mark and logos are registered trademarks owned by Bluetooth SIG, Inc. and any use of such marks by Hubbell Lighting is under license. Other trademarks and trade names are those of their respective owners.

All product and company names, logos and product identifies are trademarks™ or registered trademarks® of Hubbell Lighting, Inc. or their respective owners. Use of them does not necessarily imply any affiliation with or endorsement by such respective owners.