

BRYANT® Arc Fault Receptacles

For Commercial and Residential Applications

BRYANT®

Meets the Latest National Electric Code Requirements for Arc Fault Circuit Interruption

Helps to Protect Against Electrical Fires Originating from Arcing Faults!

Where is AFCI Protection Required by the NEC?

- | | | |
|---------------|-----------------|---------------|
| ✓ Bedroom | ✓ Family Room | ✓ Dining Room |
| ✓ Living Room | ✓ Closet | ✓ Parlor |
| ✓ Library | ✓ Laundry Areas | ✓ Kitchen |
| ✓ Sunroom | ✓ Rec Room | ✓ Den |

What are Typical Causes of Arc Faults?

- Damaged Wiring
- Pinched Cord
- Broken Plugs
- Overheating
- Loose Connections
- Aged/Worn Conductors

Why is it Needed?



Housing



Hotel



University Dorm



Healthcare Facility



Residential



Provides Protection Against

- Fires
- Injuries
- Damages

BRYANT® Arc Fault Receptacles For Commercial and Residential Applications

BRYANT®

ORDERING INFORMATION

Description	Color	15 Amp	20 Amp
Outlet Branch Circuit	Black	AFR15TRBK	AFR20TRBK
Arc Fault Receptacle with Tamper-Resistant Outlets	Brown	AFR15TR	AFR20TR
20A 125V Feed Through and LED Indicator	Gray	AFR15TRGY	AFR20TRGY
	Ivory	AFR15TRI	AFR20TRI
	Light Almond	AFR15TRLA	AFR20TRLA
	White	AFR15TRW	AFR20TRW
Outlet Branch Circuit AFCI	Ivory	—	AFR20BFI
Blank Face - LED Indicator	White	—	AFR20BFW



"AFR" series meets all requirements for an outlet branch-circuit type AFCI; protects branch circuit wiring and extensions to branches such including appliances and cord sets.

NATIONAL ELECTRIC CODE

2014 NEC 406.4(D) "Requirements for replacement receptacles where a receptacle outlet is supplied by a branch circuit that requires arc-fault circuit interrupter protection [210.12(A)], a replacement receptacle at this outlet must be one of the following: (1) A listed outlet branch circuit type arc-fault circuit interrupter receptacle; (2) A receptacle protected by a listed outlet branch circuit code arc-fault circuit interrupter code receptacle; (3) A receptacle protected by a listed combination type arc-fault circuit interrupter type circuit breaker."

2011 NEC 210.12

(A) "Where required all 15A or 20A 120V branch circuits in dwelling units that supply outlets to family rooms, dining rooms, living rooms, parlors, libraries, dens, bedrooms, sunrooms, recreation rooms, closets, hallways or similar areas must be protected by a listed AFCI device of the combination type." There are (2) exceptions noted below:

- (1) AFCI can be branch circuit type located at the first outlet if circuit conductors installed in RMC, IMC, EMT or Type MC or steel armored Type AC cable and AFCI device is contained in a metal outlet or box.
- (2) Where a listed metal or nonmetallic conduit or tubing is encased in not less than 2 inches of concrete for the portion of the branch circuit between the branch-circuit overcurrent device and the first outlet, an outlet branch-circuit AFCI at the first outlet is permitted to provide protection for the remaining portion of the branch circuit.

(B) Branch circuit extensions or modifications – dwelling units. Where branch-circuit wiring is modified, replaced, or extended in any of the areas specified in 210.12(A), the branch circuit must be protected by a listed combination AFCI located at the origin of the branch circuit; or a listed outlet branch circuit AFCI located at the first receptacle outlet of the existing branch circuit"

SPECIFICATIONS

Ratings

Amperage	15 Amp/20 Amp
Feed-thru	20 Amp Protection
Voltage	120V AC (+10% to 15%) (102V to 132V)
Horsepower	(1) @ Rated Voltage
Flammability	Rated V2 per UL 94
Operating Temperature	(-35°C to 66°C) or (-30°F to 150°F)

Certifications

UL 1699A	E366570
UL 498	Receptacle
UL Fed Spec	WC-596
CSA Standard	C22.2 No. 42
CSA Tech	Letter No. M-02A
NEMA	WD-6

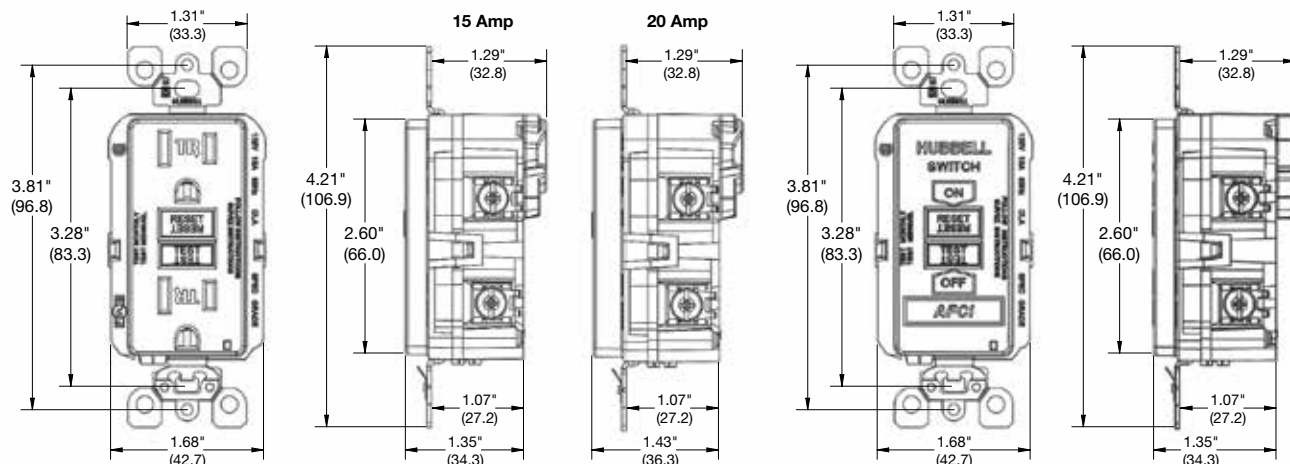


Tamper-Resistant
NEC 406.11; 210.52 – All 15 & 20A 125V, Receptacles shall be listed Tamper-Resistant for dwelling installations.

Construction

Termination	Back and Side
Terminal	#14-10 AWG
Grounding	Self-Grounding Clip
Indicators	Power & Rev Wire
Configuration	2 Pole, 3 Wire
NEMA	5-15R, 5-20R

DIMENSIONS



BRYANT®

www.bryant-electric.com

