



LED COLT SERIES

LED Colt is a versatile, compact floodlight for landscape, accent, pole, column, facade and small area illumination

Rotatable hood for adjustable glare control

Cast aluminum construction with heat dissipating fins on side of housing



3 distribution options in one carton (narrow, medium, wide)

Adjustable knuckle mount



5° aiming angle increments for precise aiming and control

Shown without hood



Shown with Trunnion TRN-XX option

Hubbell Outdoor Lighting's compact sleek and stylish LED Colt provides energy-efficient small area floodlighting solutions featuring three distributions in one product. This powerful LED luminaire is the perfect choice for many floodlighting applications including: accent, landscape, facade, or small area illumination.

Features and Benefits:

- 21w - 1,800 - 1,970 lumens replaces 100w HID or 84w CFL
- Traditional 1/2" x 14 NPS threaded adjustable knuckle mounting
- 120-277V operation
- Die-cast aluminum housing
- Decorative dark bronze finish
- 3 distribution options in one carton (narrow, medium, wide)
- Rotatable hood for adjustable glare control
- 3000K or 4000K color temperatures
- IP65 and certified to UL 1598 for use in wet locations
- Certified up to 40°C ambient per UL 1598
- Accessory kits available for trunnion mount and color/tinted light applications



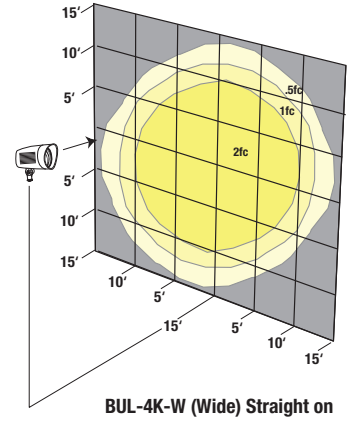
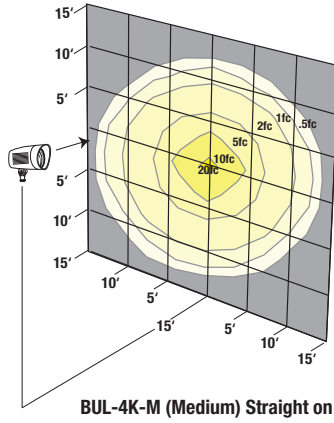
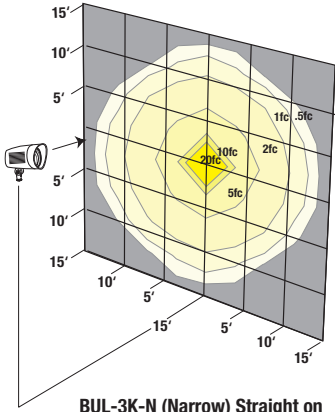
Performance Data

| Series Number | Equivalency | Distribution Type | Lumens Delivered | Voltage | System Watts | Lumens Per Watt | CCT/CRI |
|--------------------|---------------------|-------------------|------------------|-----------|--------------|-----------------|---------|
| BUL-1L3K-1U | 100w HID or 84w CFL | 3x3 | 1873 | 120V-277V | 21 | 89 | 3000K |
| | | 4x4 | 1935 | | | 92 | |
| | | 6x6 | 1802 | | | 86 | |
| BUL-1L4K-1U | 100w HID or 84w CFL | 3x3 | 1979 | 120V-277V | 21 | 94 | 4000K |
| | | 4x4 | 1965 | | | 93.5 | |
| | | 6x6 | 1886 | | | 90 | |

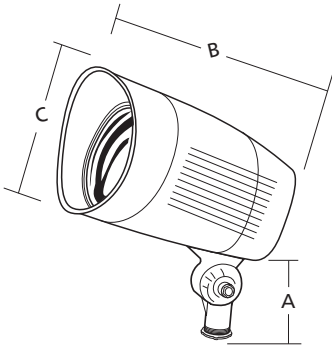




Performance



Dimensions



| A | B | C | Weight |
|-------|--------|--------|-----------|
| 3" | 6" | 5" | 2.75 lbs. |
| 76 mm | 152 mm | 127 mm | 1.25 kg |

Accessories

| CATALOG NUMBER | DESCRIPTION |
|---------------------|--|
| BUL-COLOR | Lens kit with five tinted color choices – Red, Blue, Green, Yellow, Magenta/Pink |
| TRN-XX ¹ | Trunnion adapter for 1/2" threaded knuckle mount |

¹ Specify finish color to match fixture, e.g. 08 - Bronze.



BUL-COLOR



TRN-XX

