

ALUMINUM TRACK COMPONENTS

COMPONENTS

ADD TO...OR BUILD YOUR OWN DESIGN

For loads up to 50 lbs.(22.5 kg)

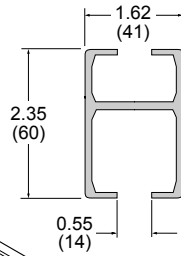


WA50 ALUMINUM TRACK

Beige polyester or natural aluminum finish.

USE: Heavy duty tool rails, vertical or horizontal supporting members, workstation columns, legs.

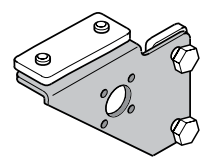
NOTE: Horizontal track must have a support hanger every 6.0 ft. (1.8m) to maintain maximum rated capacity.



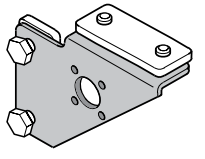
RAIL LENGTH ft. in. (m)	BEIGE MODEL NO.	NATURAL MODEL NO
2' 5" (0.8)	WA50-T029	WA50-N029
3' 0" (0.9)	WA50-T036	WA50-N036
4' 0" (1.2)	WA50-T048	WA50-N048
5' 0" (1.5)	WA50-T060	WA50-N060
6' 0" (1.8)	WA50-T072	WA50-N072
7' 0" (2.1)	WA50-T084	WA50-N084
20' 0" (6.1)	N/A	WA50-N240
45° Angle Brace 1' 5" (0.4)	WA50-TB17	WA50-NB17

Consult factory for lengths not shown above.

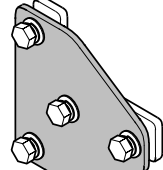
Extruded aluminum rail features double tracks (top and bottom), one for trolleys and the other for mounting components or concealing hose or cable. Inside dimensions of the **larger track is same as WS50 steel rail** and fits standard WS50 trolleys, brackets, stops, etc. (following page). In addition, there is a full assortment of construction brackets, below, designed specifically for aluminum rail. **All mounting hardware included with brackets.** Brackets have black polyester finish with zinc plated steel hardware.



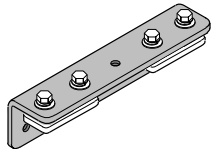
**WA-FBR
FRAMING BRACKET
RIGHT HAND**
USE: Attach rail perpendicular to rail. Mount electrical boxes or hose connectors.



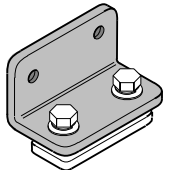
**WA-FBL
FRAMING BRACKET
LEFT HAND**
USE: Attach rail perpendicular to rail. Mount electrical boxes or hose connectors.



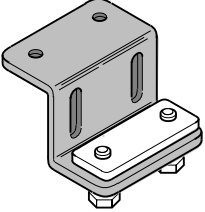
**WA-TP
T-PLATE**
USE: Use inside or outside. Install vertically or horizontally.



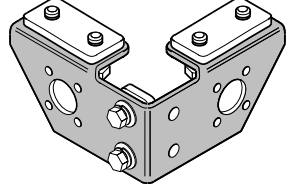
**WA-SA
SPLICE ANGLE**
USE: Designed to allow precise joining for unrestricted trolley movement.



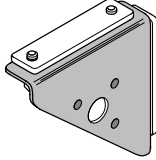
**WA-AMB
ANGLE MOUNTING
BRACKET**
USE: Hang rail to wall or other vertical support. Also attach sound boards, plywood to structures.



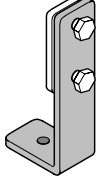
**WA-TMB
TOP MOUNTING
BRACKET**
USE: Attach top to bench.



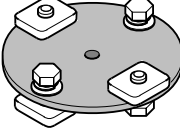
**WA-CB
CORNER BRACKET**
USE: Join three perpendicular rails.



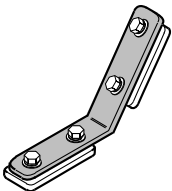
**WS-AB
ANGLE BRACKET**
USE: Join rails at right angles.



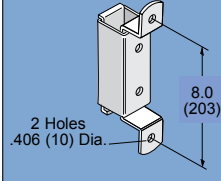
**WA-LF
LEVELER FOOT**
USE: Forms smooth foot. Adjust to level structure.



**WA-HD
HANGER DISK**
USE: Join crossing rails at right angles. Hang rails from other supports.



**WA-AB
ANGLE BRACE
BRACKET (45°)**
WA50-TB17
or
WA50-NB17
17" Aluminum Angle Brace
Cut 45° On Both Ends
(see chart above).



**WA50-MP
UNIVERSAL BASE**
Zinc plated steel
USE: Weld or bolt to new or existing benches or conveyors. Provides pocket for mounting WA50 column. Cannot be used with WS50 rail.