

ADJUSTABLE BEAM TROLLEYS

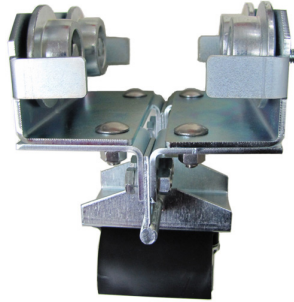
Our **ADJUSTABLE BEAM TROLLEYS** are designed with your applications in mind. Economical, durable and expandable, our festoon cable trolley runs on various beam sizes (See below for listing; consult factory for additional size requirements). These trolleys roll on 4 steel ball bearing wheels. This provides a rolling capacity of 154 lbs. Multiple cable saddle configurations provide a variety of cable carrying options for single or dual flat cable or round cable.

S-BEAM Intermediate or Tow Trolley



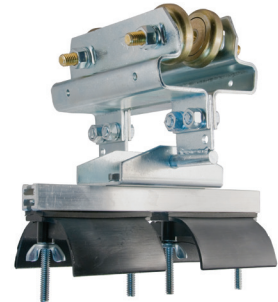
Flat Cable:
F-IT-S3/5.7
Round Cable:
F-IT-S3/5.7R2 - 0.60"-0.94" dia
F-IT-S3/5.7R3 - 0.94"-1.25" dia

W-BEAM Intermediate or Tow Trolley



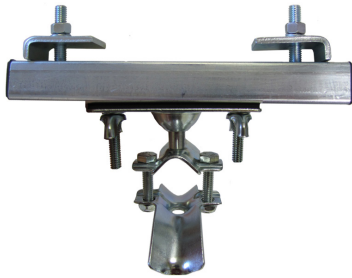
Flat Cable:
F-IT-W-F
Round Cable:
F-IT-W-R1 - 0.31"-0.59" dia
F-IT-W-R2 - 0.60"-0.94" dia

Intermediate or Tow Trolley with dual cable saddles



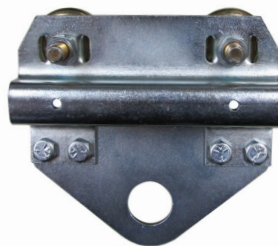
S-Beam Flat Cable:
F-IT-S3/5.7D
W-Beam Flat Cable:
F-IT-WD

End Clamps with choice of Trolley



F-ICE/R2 - 0.60"-0.94" dia Round
F-ICE/R3 - 0.94"-1.25" dia Round
F-ICE - single saddle 3" dia Flat
F-ICE-D - dual saddle 3" dia Flat

Balancer Trolley for hanging Tool Balancer



S-Beam: F-IT-S3/5.7-TB
S-Beam model shown above
W-Beam: F-IT-W-TB

Control Box Trolley for Push Button Pendant connection



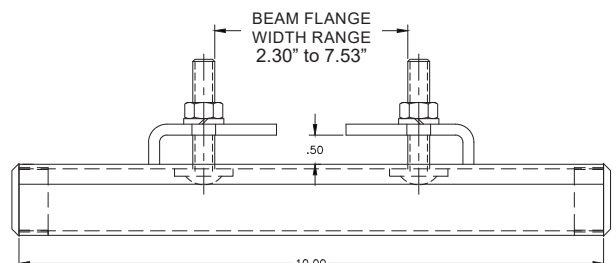
S-Beam: F-ITB-S3/5.7
W-Beam: F-ITB-W

BENEFITS OF CONSTRUCTION

- Steel construction with zinc finish for moisture protection
- Steel chassis expands for a range of I-Beam sizes
(S-Beam: S3 x 5.7, S4 x 7.7, S6 x 12.5; W-Beam: W6 x 9, W8 x 28, fits W-Beam with a flange ranging in size from 3.94" - 6.54". Consult factory for other beam sizes.)
- Wheels are manufactured with threaded axels, bolted (not riveted) onto the chassis for easy replacement if required

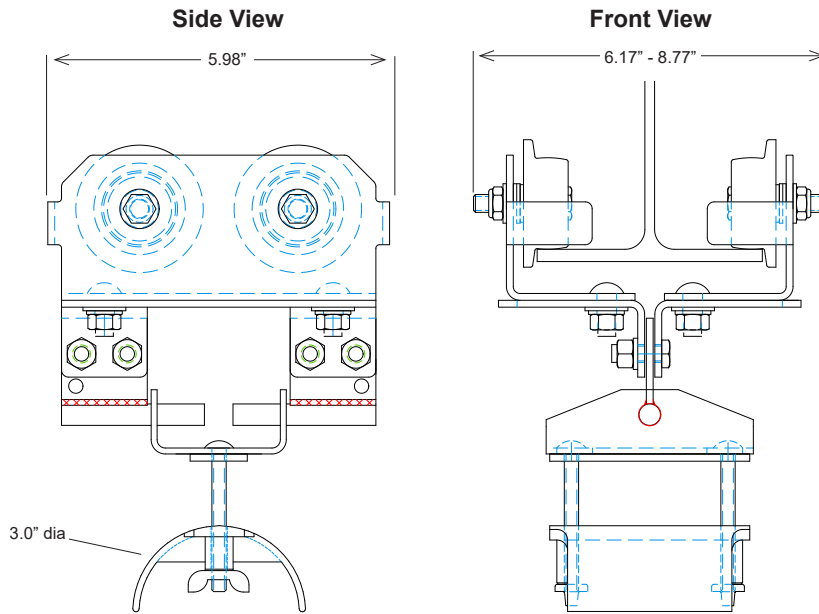
ACCESSORIES

End Stop Clamp F-IES

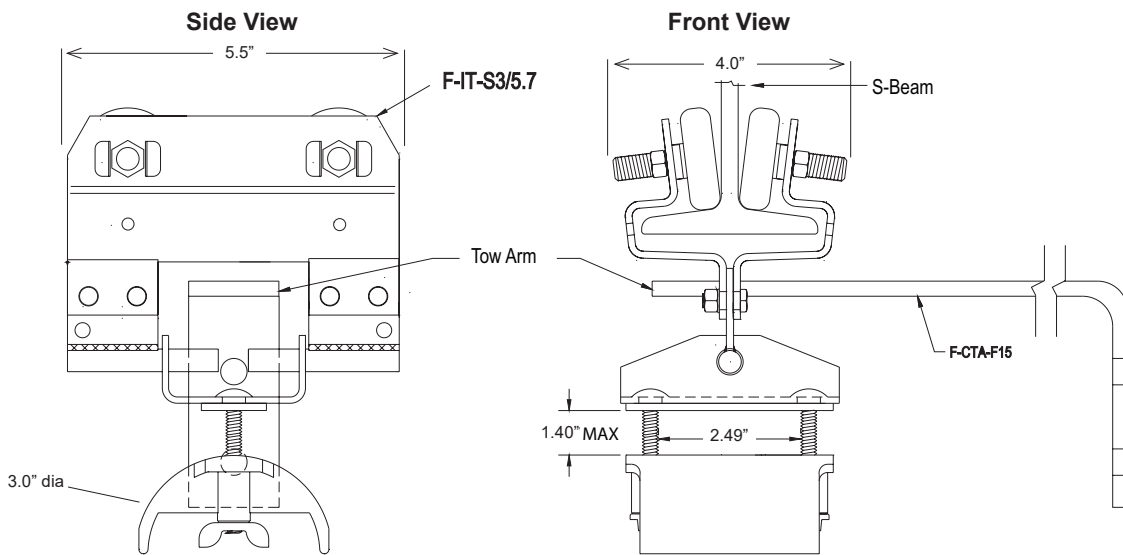


DRAWINGS / DIMENSIONS

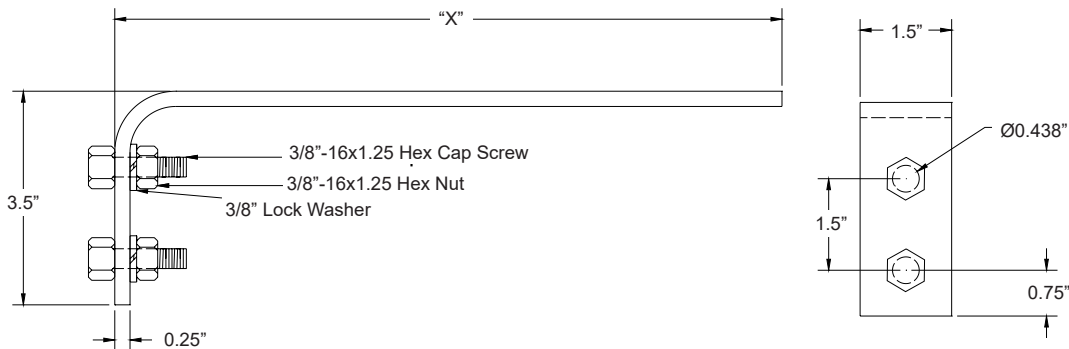
W-BEAM TROLLEYS



S-BEAM TROLLEYS



TOW ARMS



"X" DIMENSION	CATALOG NO.
12" Tow Arm	F-CTA-F12
15" Tow Arm	F-CTA-F15
18" Tow Arm	F-CTA-F18



Gleason Reel Corp.
 600 South Clark St.
 Mayville, WI 53050
 Phone: 920-387-4120 • Fax: 920-387-4189
www.hubbell-gleason.com