



GLEASON REEL CABLE GUIDE ASSEMBLIES

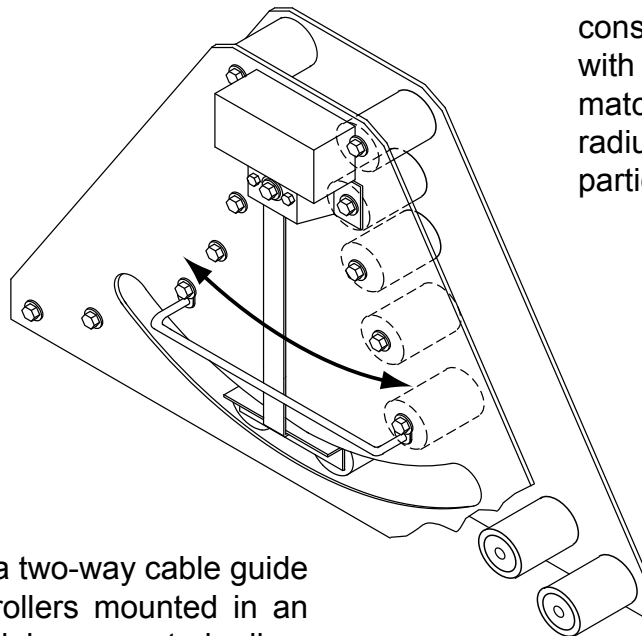


Cable Guides - FOR CHANGES OF DIRECTION

When designing a cable guiding system allow sufficient distance between any direction changes. The recommended distance should be a minimum of 20X the cable O.D. and even longer for speeds greater than 300 fpm. Implementing this design will extend cable life by giving the cables “memory” an opportunity to shed torsion before making another change in direction. All “S” type directional changes and alternate plane changes should be avoided. These situations induce undue forces and stress on the conductors especially at higher travel speeds.

Roller Guides

The radiused roller guide consists of multiple rollers mounted in a housing designed for uni-directional or bi-directional cable payout and retrieval. Because the individual rollers move independently of one another torsion build-up in the cable is reduced significantly as compared to large diameter single rollers or drums.

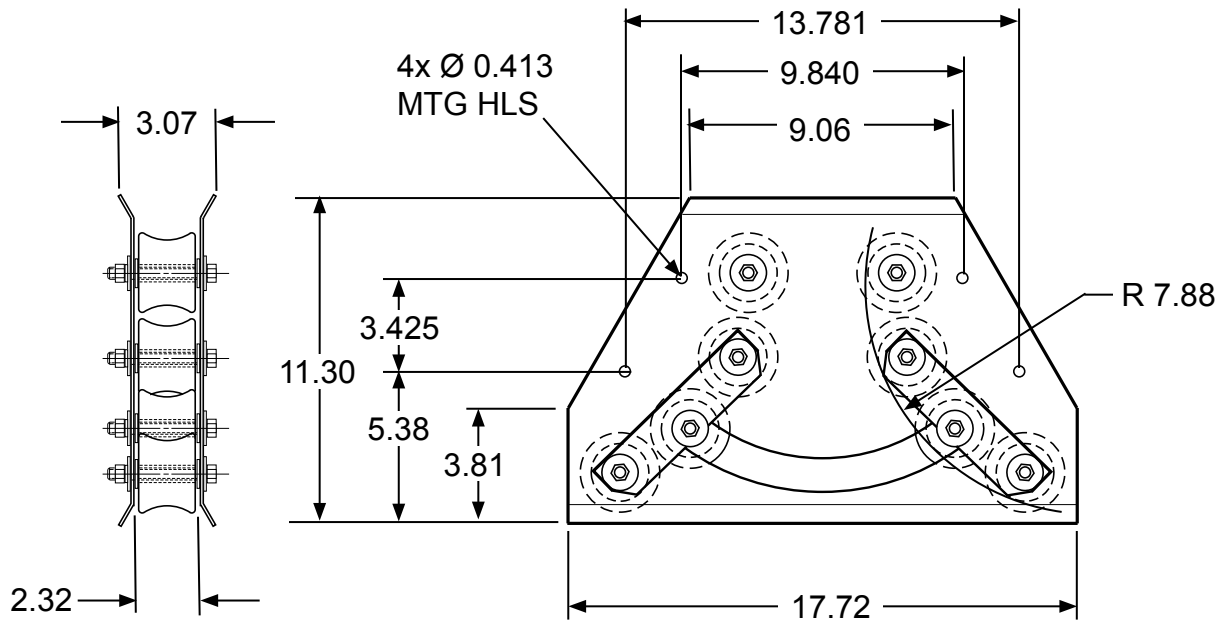


The typical cable guide construction consists of an opposed pair of steel plates with rollers mounted in an arc designed to match the recommended minimum bend radius for the cable size specified for the particular application.

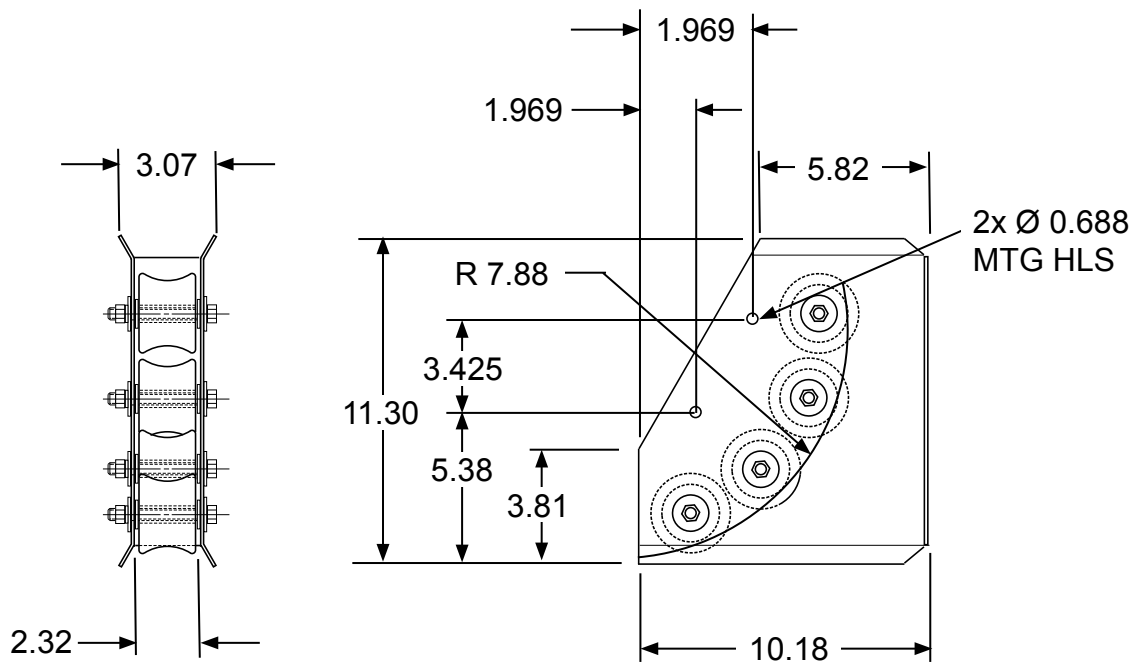
This cutaway of a two-way cable guide shows multiple rollers mounted in an arc plus the pendulum mounted rollers used to actuate the over/under tension switches

Overtension and Undertension Protection

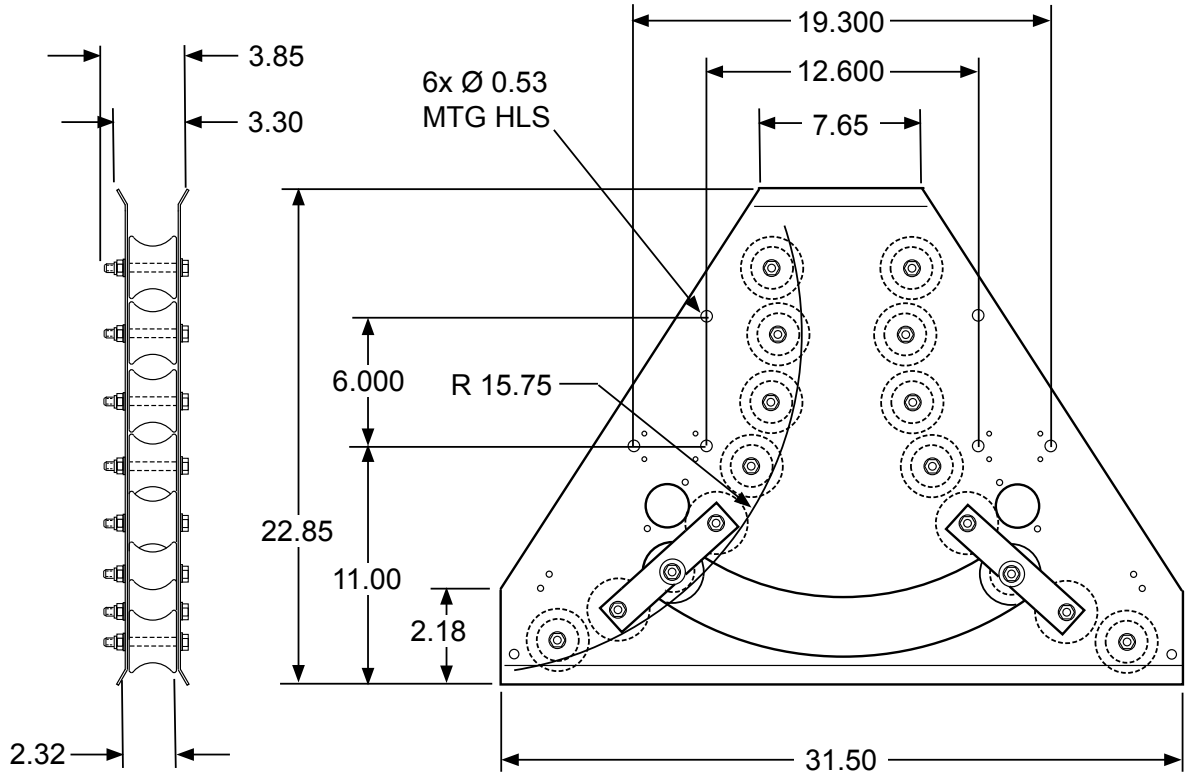
Gleason offers optional cable guiding systems that include provision for both overtension and undertension protection systems. Even a short exposure to overtension caused by a mechanical failure or accidents can render a cable inoperable due to permanent conductor deformation. Conversely, undertension protection is desirable to ensure that excessive cable cannot free spool from the reel and sustain damage. This protection is particularly important for long-lift cable reels. All overtension protection devices should be set above the maximum continuous safe working tension of the cable and adjusted to suit the specific application.



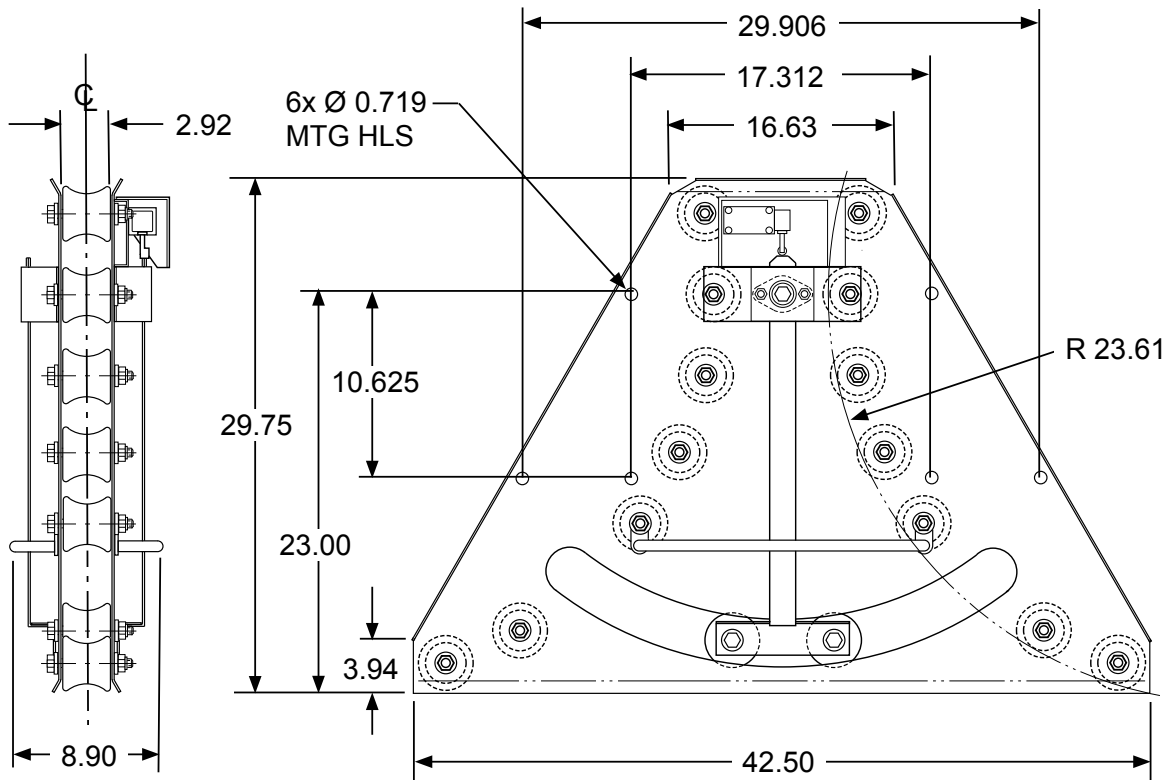
**G1 ROLLER GUIDE ASSEMBLY
TWO WAY PAYOUT**



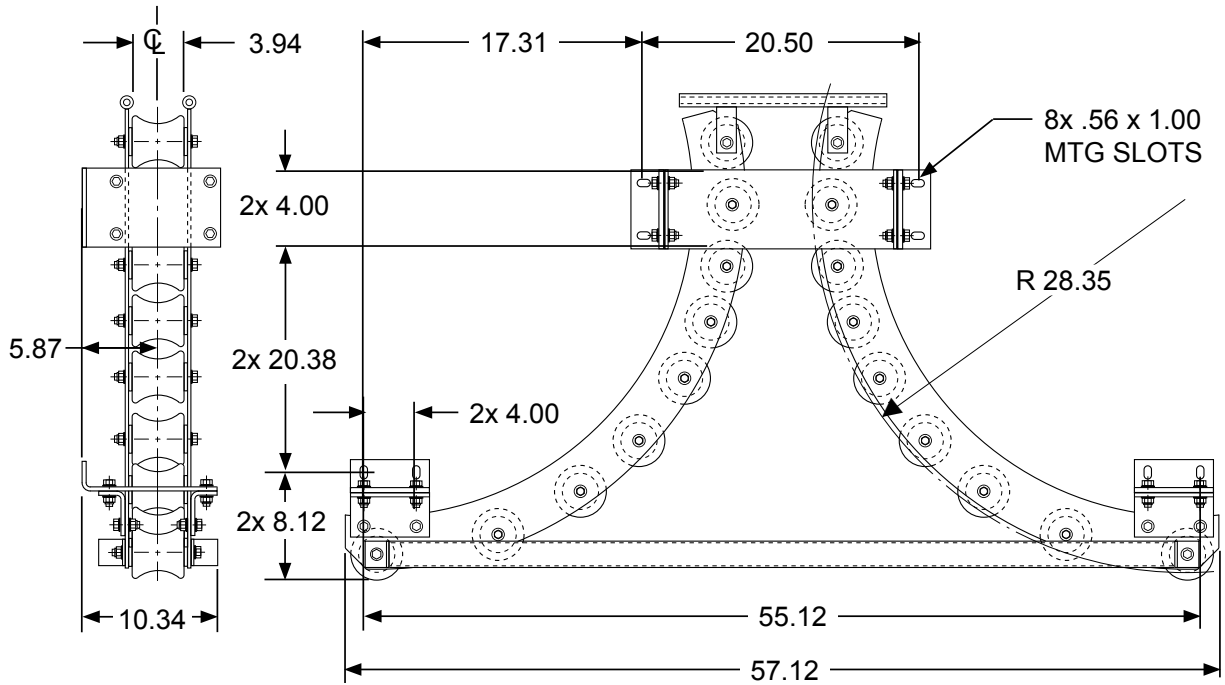
**G1 ROLLER GUIDE ASSEMBLY
ONE WAY PAYOUT**



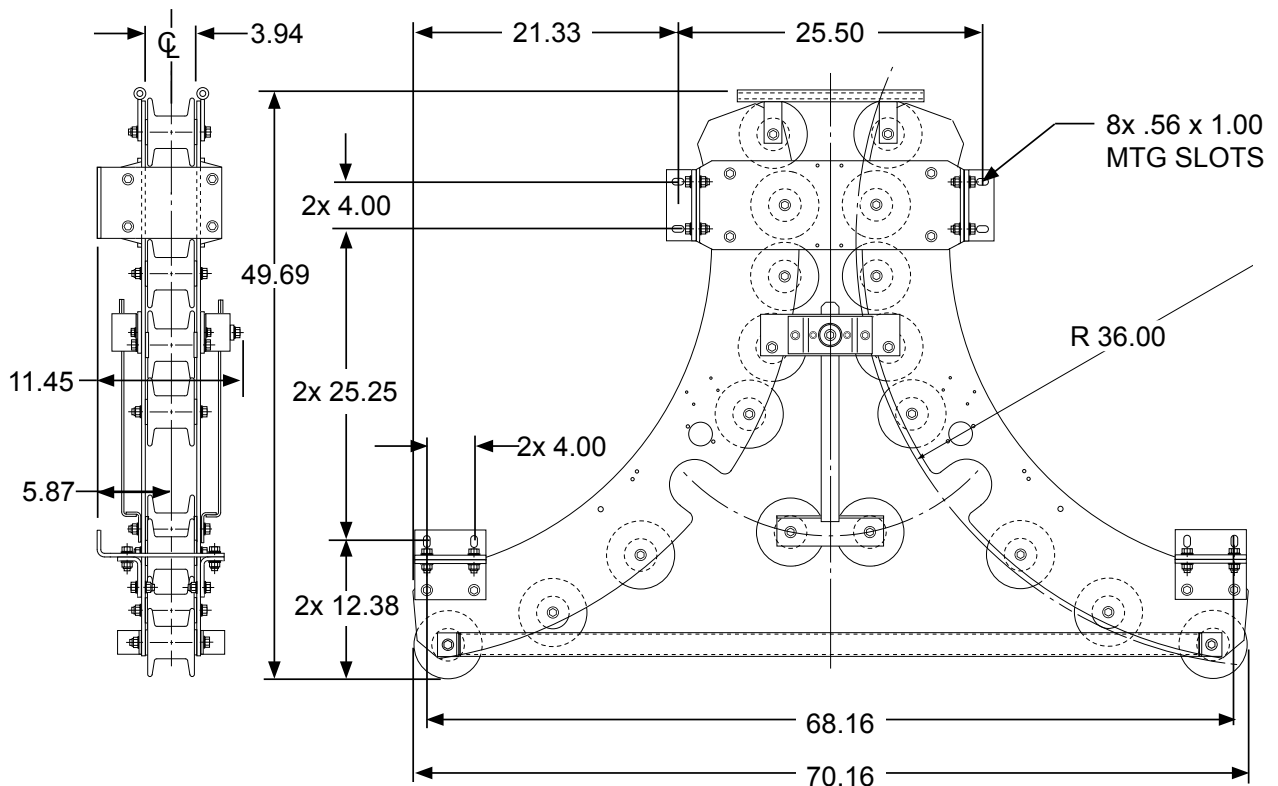
G2 ROLLER GUIDE ASSEMBLY



G3 ROLLER GUIDE ASSEMBLY



G4 ROLLER GUIDE ASSEMBLY

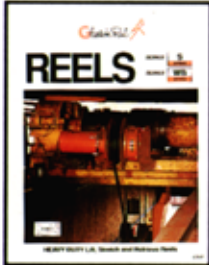


G5 ROLLER GUIDE ASSEMBLY

Cable Management

Since 1911 Gleason Reel Corp. has been in the business of CABLE MANAGEMENT. Our products are designed to convey and protect valuable cables and hoses that power and control moving machines of all types. They improve productivity and safety on the job by moving cables and hoses away from hazardous locations on machinery or the shop floor into a controlled environment. Whether you choose Reels for efficient storage and payout from virtually any angle, Festoon Systems for overhead applications or PowerTrak® for protection on machinery in motion, your cables and/or hoses will last longer and provide better service with a cable management system from **Gleason Reel Corp....**

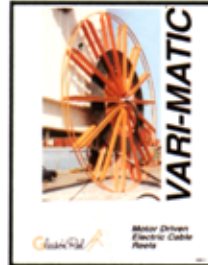
...The Cable & Hose Management Company.



Bulletin "CR"
Heavy Duty
Spring-Driven
Electric Cable Reels
General Industrial



Bulletin "MMD"
Mill Duty
Spring-Driven
Electric Cable Reels
Demanding Service



Bulletin "SM"
Heavy Mill Duty
Spring-Driven
Electric Cable Reels
Steel Mill Service



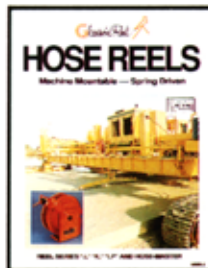
Bulletin "RET"
Long Travel Length
Motor Driven
Electric Cable Reels
Standard Industrial



Bulletin "PSR"
Lifting & Lowering
Motor-Driven
Electric Cable Reels
Push-Button Reels



Bulletin "VMR"
Large Retrieving
Motor-Driven
Electric Cable Reels
Heavy Duty Industrial



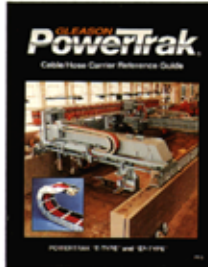
Bulletin "HRM"
Various Types
Spring-Driven
Hose Reels
General Industrial



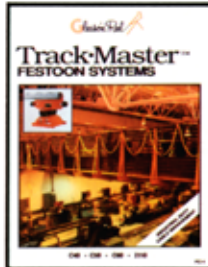
Bulletin "SR"
Slip Rings
Unitized Design
Low & High Amperage
Low & Medium Voltage



Bulletin "PTG"
Non-Metallic
Cable Chain
For Hose & Cable
Lightweight, Economical



Bulletin "PT"
Rugged Steel
Cable Chain
For Cables & Hoses
Standard & Mill Duty



Bulletin "FC"
Flat & Round Cable
C-Rail Mounted
Festoon Systems
General Industrial



Bulletin "FB"
Heavy Duty
I-Beam Mounted
Festoon Systems
Heavy Duty Port Types

Gleason Reel Corp.

600 S. Clark St.
Mayville, WI 53050
Phone 920-387-4120 • Fax 920-387-4189
www.hubbell.com/gleasonreel/en

In your area contact: