

**SERIES "G" FEATURES  
GENERAL PURPOSE MODELS**

- Spring Retractable
- Hand-Pull Applications
- All-Welded Solid Steel Construction
- 600 Volt Slip Rings in NEMA 4 Enclosure
- Generously Sized Junction Box
- Heavy Duty Mounting Base
- Safetychange® Spring Motor with Weatherproof Gasket
- Positive Ratchet Lock with Disengage
- Multi-position Cable Guide (Field Adjustable)
- Orange Polyester Baked-On Finish
- Field Adjustable Cable Stop Included
- Optional 340° Pivot Base
- Contact Factory if Mount Height is More than 20 ft.

# Heavy Duty ELECTRIC CABLE REELS



Models listed below are  
UL and CSA listed.

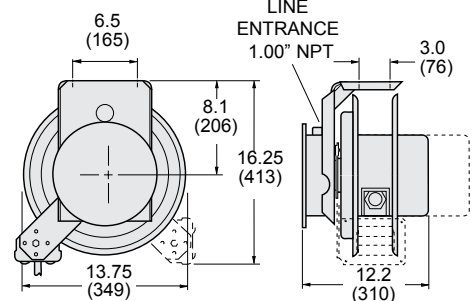


Outlet is optional,  
not installed with  
reel. See page 12.

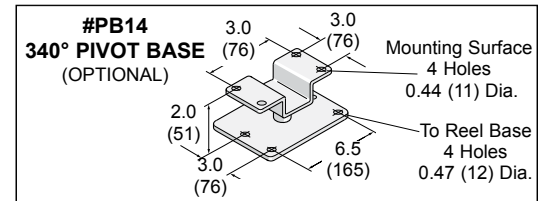
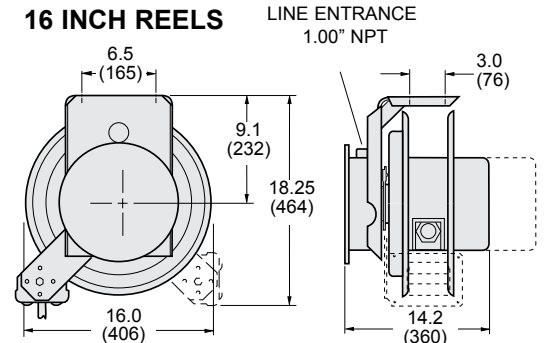
**Series "G" Model Chart CABLE IS INCLUDED**

CABLE DATA				REEL CATALOG NUMBER	FLANGE DIA. in. (mm)	WEIGHT COMPLETE lbs. (kg)	340° BASE (OPTIONAL)	CABLE STOP (INCLUDED)		
RATING @600V	AWG	NO. COND	LENGTH* ft. (m)							
10 Amp		3	20 (6.0)	G-232	14 (356)	39 (17.6)	PB14	CP-2		
			30 (9.0)	G-224		42 (18.9)				
			40 (12.0)	G-231		48 (21.6)				
			45 (13.5)	G-228		49 (22.0)				
			60 (18.0)	G-429		82 (36.9)			PB16	
8 Amp	16	4	20 (6.0)	G-233	14 (356)	40 (18.0)	PB14	CP-2		
			30 (9.0)	G-234		44 (19.8)				
			40 (12.0)	G-244		48 (21.6)				
		50 (15.0)	G-238	49 (22.0)	PB16					
		60 (18.0)	G-439	82 (36.9)						
		45 (13.5)	G-206	54 (24.3)		CP-3				
7 Amp	8	50 (15.0)	G-26B	56 (25.2)	14 (356)		56 (25.2)			
		40 (12.0)	G-28B	56 (25.2)						
		45 (13.5)	G-38B	56 (25.2)						
15 Amp		3	35 (10.5)	G-30B	14 (356)	54 (24.3)	PB14	CP-3		
			12	G-32B		55 (24.8)				
			20 (6.0)	G-331		40 (18.0)				
			30 (9.0)	G-253		46 (20.7)				
			40 (12.0)	G-334		50 (22.5)				
12 Amp	14	4	50 (15.0)	G-358	14 (356)	54 (24.3)	PB16	CP-2		
			70 (21.0)	G-459		84 (37.8)				
			20 (6.0)	G-342		40 (18.0)				
			25 (7.5)	G-343		44 (19.8)				
			30 (9.0)	G-363		48 (21.6)				
		6	40 (12.0)	G-344	52 (23.4)	14 (356)	52 (23.4)		PB14	
			50 (15.0)	G-367	56 (25.2)					
			65 (17.5)	G-469	86 (38.7)		PB16			
			35 (10.5)	G-36C	52 (23.4)		PB14			
			50 (15.0)	G-46C	92 (41.4)		PB16			
10 Amp		8	25 (7.5)	G-38C	16 (406)	52 (23.4)	PB16	CP-3		
			30 (9.0)	G-48C		49 (22.1)				
			20 (6.0)	G-40C		53 (23.9)				
20 Amp	12	3	20 (6.0)	G-332	14 (356)	40 (18.0)	PB14	CP-2		
			25 (7.5)	G-383		44 (19.8)				
			30 (9.0)	G-333		46 (20.7)				
		6	35 (10.5)	G-385	47 (21.2)	16 (406)	55 (24.8)		PB16	
			45 (13.5)	G-435	55 (24.8)					
			50 (15.0)	G-436	69 (31.1)					
16 Amp	4	60 (18.0)	G-430	85 (38.3)	14 (356)	85 (38.3)	PB16			
		20 (6.0)	G-346	40 (18.0)						
		30 (9.0)	G-394	48 (21.6)						
		40 (12.0)	G-444	52 (23.4)						
14 Amp	6	50 (15.0)	G-445	86 (38.7)	16 (406)	86 (38.7)	PB16			
		60 (18.0)	G-446	89 (40.1)						
		25 (7.5)	G-463	51 (23.0)		14 (356)		52 (23.4)	PB14	
		20 (6.0)	G-482	44 (19.8)						
25 Amp	10	3	20 (6.0)	G-241	14 (356)	46 (20.7)	PB14	CP-2		
			25 (7.5)	G-242		48 (21.6)				
			30 (9.0)	G-433		48 (21.6)				
		4	40 (12.0)	G-434	50 (22.5)	16 (406)	86 (28.7)		PB16	
			50 (15.0)	G-535	86 (28.7)					
20 Amp	6	4	60 (18.0)	G-536	14 (356)	89 (40.1)	PB16			
			20 (6.0)	G-452		49 (22.1)				
			30 (9.0)	G-443		52 (23.4)				
		6	40 (12.0)	G-447	88 (39.6)	16 (406)	88 (39.6)	PB16		
			50 (15.0)	G-545	92 (41.4)					
			20 (6.0)	G-462	52 (23.4)		14 (356)		52 (23.4)	PB14
			30 (9.0)	G-564	80 (36.0)				PB16	

\* Length of cable listed is for ACTIVE travel.

**14 INCH REELS**


Length shown 3 or 4 conductor reel.  
For 5 - 8 conductor, add 1.50" (38mm).  
For 9 - 12 conductor, add 3.00" (76mm).


**16 INCH REELS**


Length shown 3 or 4 conductor reel.  
For 5 - 8 conductor, add 1.50" (38mm).  
For 9 - 12 conductor, add 3.00" (76mm).

