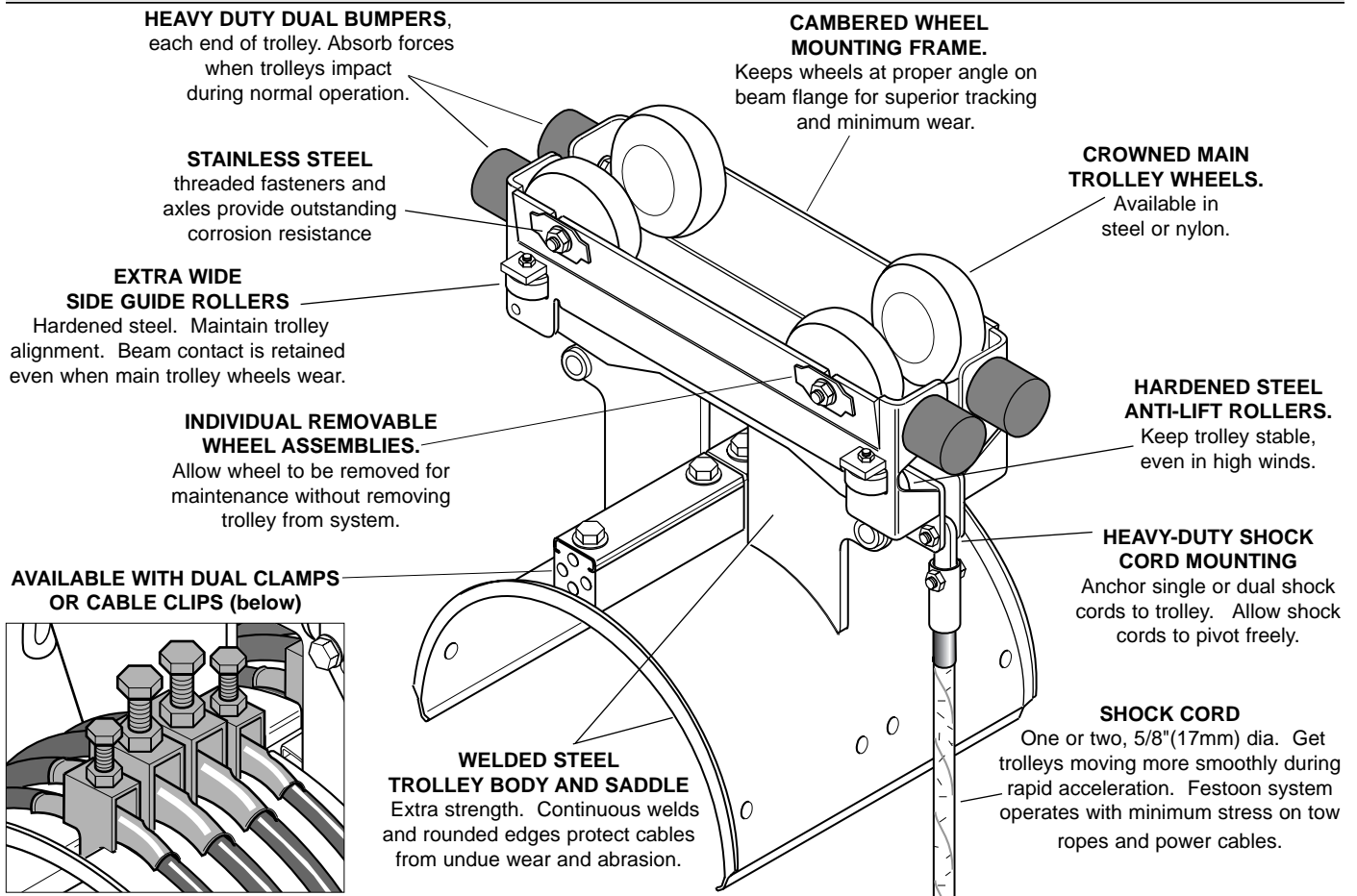




# I-132

## Container Crane Festoon System

- All the **FEATURES** needed to fit your application.
- Built and backed by the leader in cable and hose management systems.
- Fits 2.95"(75mm) or wider beams



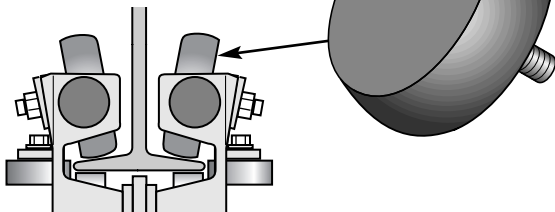
### HIGH SPEED...HIGH CAPACITY

Speeds to 600 fpm (180 m/m). Capacity to 500 lbs.(225 kg) per trolley.

*NOTE: Maximum speed possible only with lighter loads. Maximum capacity possible only at slower speeds. Please consult factory.*

### Choice of Hardened Steel or Nylon Wheels

- **MATERIAL:** Steel or Nylon
- **DIAMETER:** 4.00" (102mm)
- **TYPE:** Crowned
- **PRELUBRICATED**



### Fall-prevention Frame

Frame encircles beam flange.

Trolley Frame

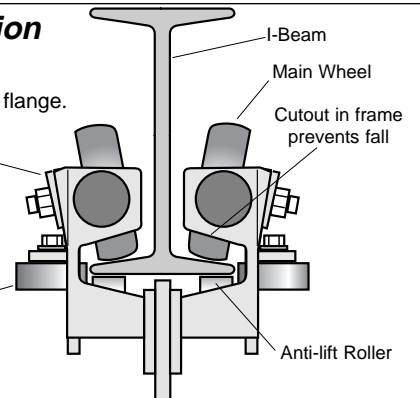
Side-guide Roller

I-Beam

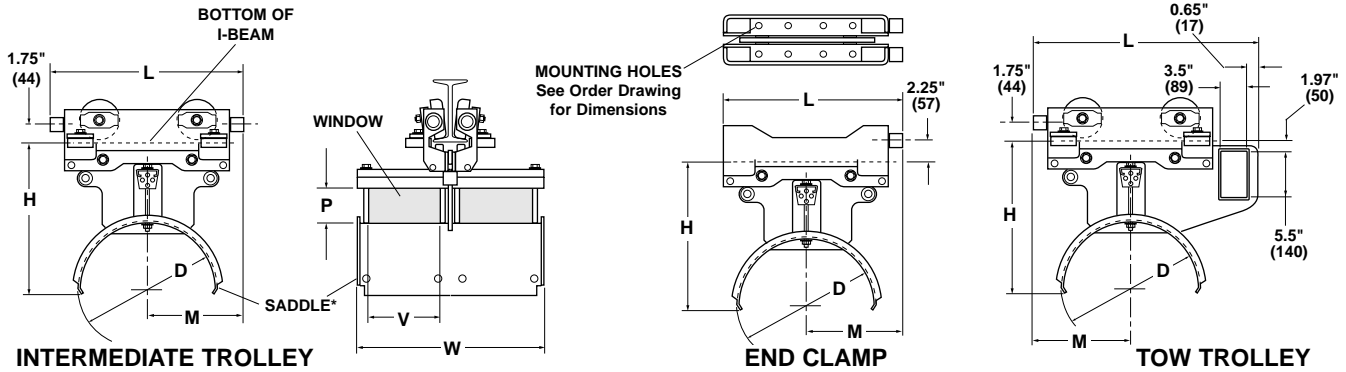
Main Wheel

Cutout in frame prevents fall

Anti-lift Roller



## DIMENSIONS



\* Single tier saddles shown. Double tier saddles available. Consult factory.

SERIES I-132 MODEL NUMBER	"D" SADDLE DIA.	"P" WINDOW HEIGHT	"V" WINDOW WIDTH	"H" BELOW I-BEAM	"L" OVERALL LENGTH	"W" OVERALL WIDTH	"M" SADDLE LOCATOR	WEIGHT** lbs. (kg)
<b>INTERMEDIATE TROLLEY</b>								
I132-D10-1404I-SP-SCP-1-□	10.25 (260)	1.44 (37)	4.38 (111)	13.30 (338)	14.88 (378)	13.38 (340)	7.44 (189)	57 (25.7)
I132-D10-1407I-SP-SCP-1-□			7.88 (200)			20.38 (518)		65 (29.3)
I132-D10-1412I-SP-SCP-1-□			12.69 (329)			30.00 (762)		73 (32.9)
I132-D14-1404I-SP-SCP-1-□	14.12 (359)	1.44 (37)	4.38 (111)	15.25 (387)	17.88 (454)	13.38 (340)	8.94 (227)	67 (30.2)
I132-D14-1407I-SP-SCP-1-□			7.88 (200)			20.38 (518)		75 (33.8)
I132-D14-1412I-SP-SCP-1-□			12.69 (329)			30.00 (762)		83 (37.4)
I132-D18-2004I-SP-SCP-1-□	18.12 (460)	2.00 (51)	4.38 (111)	17.25 (438)	23.00 (584)	13.38 (340)	11.50 (292)	77 (34.7)
I132-D18-2007I-SP-SCP-1-□			7.88 (200)			20.38 (518)		85 (38.3)
I132-D18-2012I-SP-SCP-1-□			12.69 (329)			30.00 (762)		93 (41.9)

**END CLAMP** Anchor point at fixed end of festoon system. Does not have rollers and is bolted in place. One required per system.

I132-D10-1404E-SP-1-□	10.25 (260)	1.44 (37)	4.38 (111)	13.30 (338)	13.88 (353)	13.38 (340)	7.44 (189)	40 (18.0)
I132-D10-1407E-SP-1-□			7.88 (200)			20.38 (518)		48 (21.6)
I132-D10-1412E-SP-1-□			12.69 (329)			30.00 (762)		56 (25.2)
I132-D14-1404E-SP-1-□	14.12 (359)	1.44 (37)	4.38 (111)	15.25 (387)	16.88 (429)	13.38 (340)	8.94 (227)	50 (22.5)
I132-D14-1407E-SP-1-□			7.88 (200)			20.38 (518)		58 (26.1)
I132-D14-1412E-SP-1-□			12.69 (329)			30.00 (762)		66 (29.7)
I132-D18-2004E-SP-1-□	18.12 (460)	2.00 (51)	4.38 (111)	17.25 (438)	22.00 (559)	13.38 (340)	11.50 (292)	60 (27.0)
I132-D18-2007E-SP-1-□			7.88 (200)			20.38 (518)		68 (30.6)
I132-D18-2012E-SP-1-□			12.69 (329)			30.00 (762)		76 (34.2)

**TOW TROLLEY** Last trolley at moving end of festoon system. One required per system.

I132-D10-1404T-SP-SCP-1-□	10.25 (260)	1.44 (37)	4.38 (111)	13.30 (338)	19.38 (492)	13.38 (340)	7.44 (189)	62 (24.8)
I132-D10-1407T-SP-SCP-1-□			7.88 (200)			20.38 (518)		70 (31.5)
I132-D10-1412T-SP-SCP-1-□			12.69 (329)			30.00 (762)		78 (35.1)
I132-D14-1404T-SP-SCP-1-□	14.12 (359)	1.44 (37)	4.38 (111)	15.25 (387)	22.00 (559)	13.38 (340)	8.94 (227)	72 (32.4)
I132-D14-1407T-SP-SCP-1-□			7.88 (200)			20.38 (518)		80 (36.0)
I132-D14-1412T-SP-SCP-1-□			12.69 (329)			30.00 (762)		88 (39.6)
I132-D18-2004T-SP-SCP-1-□	18.12 (460)	2.00 (51)	4.38 (111)	17.25 (438)	27.10 (688)	13.38 (340)	11.50 (292)	82 (36.9)
I132-D18-2007T-SP-SCP-1-□			7.88 (200)			20.38 (518)		90 (40.5)
I132-D18-2012T-SP-SCP-1-□			12.69 (329)			30.00 (762)		98 (44.1)

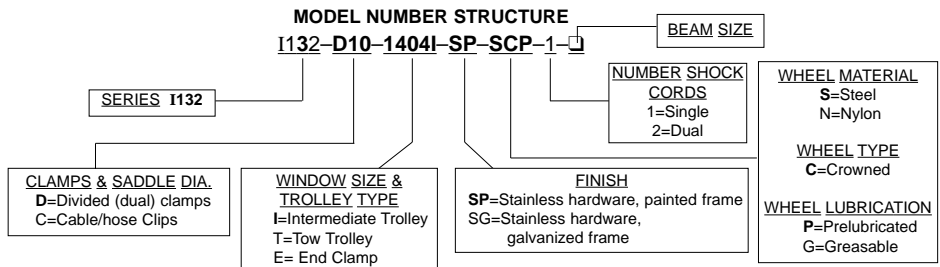
\*\* Weight with steel wheels. If nylon wheels are used, subtract 14 lbs. (6.3 kg).

### INDICATE BEAM SIZE

Model numbers above must be completed by indicating beam size.

### MINIMUM STORAGE DISTANCE

Minimum storage distance = sum of "L" dimension of all trolleys in system (see drawings above).  
Minimum storage distance + active travel distance = total system length.



## Gleason Reel Corp.

600 S. Clark St.  
Mayville, Wisconsin 53050-0026  
Phone 920-387-4120 • FAX 920-387-4189