



SERIES GH HOSE REELS

COMMERCIAL / INDUSTRIAL APPLICATIONS
MOUNT FROM CEILING, WALL OR UNDER BENCH

Choose 1/4", 3/8", 1/2" or 3/4" hose. Reels feature spring rewind and ratchet lock, multi-position four roller hose guide and adjustable hose stop. Rugged steel construction. Steel components protected by durable baked polyester finish. Consult factory if installation height is greater than 16'.



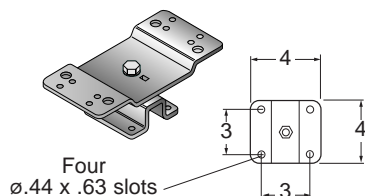
HOSE REEL DATA

MODEL NUMBER	I.D. inch	LENGTH feet	MAX PRESSURE psi	APPLICATION	DESCRIPTION	INPUT HOSE FITTING	O.D. inch	WGT (LB)
GHA2525-L	1/4	25	300	Air/Water	25' of low pressure 1/4" ID Hose	1/4 NPTF	0.51	23
GHA2535-L	1/4	30	300	Air/Water	35' of low pressure 1/4" ID Hose	1/4 NPTF	0.51	24
GHB2550-L	1/4	50	300	Air/Water	50' of low pressure 1/4" ID Hose	1/4 NPTF	0.51	26
GHA3825-L	3/8	25	300	Air/Water	25' of low pressure 3/8" ID Hose	3/8 NPTF	0.65	23
GHB3835-L	3/8	35	300	Air/Water	35' of low pressure 3/8" ID Hose	3/8 NPTF	0.65	25
GHC3850-L	3/8	50	300	Air/Water	50' of low pressure 3/8" ID Hose	3/8 NPTF	0.65	36
GHE3870-L	3/8	70	300	Air/Water	70' of low pressure 3/8" ID Hose	3/8 NPTF	0.65	50
GHB5025-L	1/2	25	300	Air/Water	25' of low pressure 1/2" ID Hose	3/8 NPTF	0.77	30
GHC5035-L	1/2	35	300	Air/Water	35' of low pressure 1/2" ID Hose	3/8 NPTF	0.77	38
GHC5050-L	1/2	50	300	Air/Water	50' of low pressure 1/2" ID Hose	3/8 NPTF	0.77	40
GHE5050-L	1/2	50	300	Air/Water	50' of low pressure 1/2" ID Hose	1/2 NPTF	0.85	44
GHE7525-L	3/4	25	300	Air/Water	25' of low pressure 3/4" ID Hose	3/4 NPTF	0.81-0.90	50

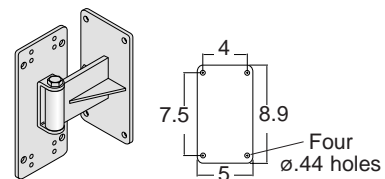
PIVOT BASES

Reels follow activity for smoother operation and reduced cord wear.

NOTE: Either base fits all reel sizes.

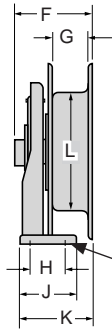
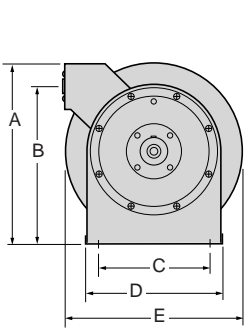


340° Pivot Base
Model No. RC-PB-B



Wall Mount 180° Pivot Base
Model No. RC-WP

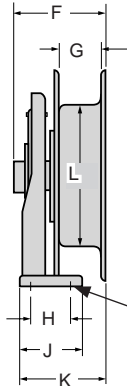
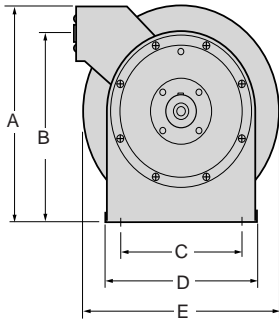
SERIES GH HOSE REEL DIMENSIONS



FRAME SIZE GHA
inches (mm)

A	B	C	D	E	F	G	H	J	K	L
12.875	11.25	8.00	9.875	12.125	5.50	2.50	2.50	4.00	5.09	8.375
(327)	(286)	(203)	(250)	(308)	(140)	(64)	(64)	(102)	(132)	(213)

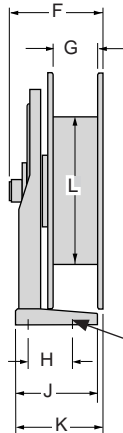
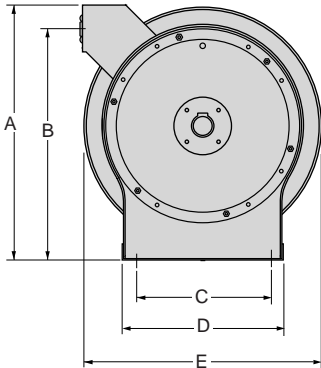
Mounting Holes
4x Ø 0.31



FRAME SIZE GHB
inches (mm)

A	B	C	D	E	F	G	H	J	K	L
14.50	12.813	9.75	11.25	13.75	6.188	3.156	2.50	4.00	5.875	8.375
(368)	(325)	(248)	(285)	(349)	(157)	(80)	(64)	(102)	(149)	(213)

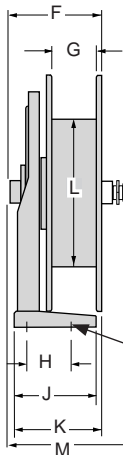
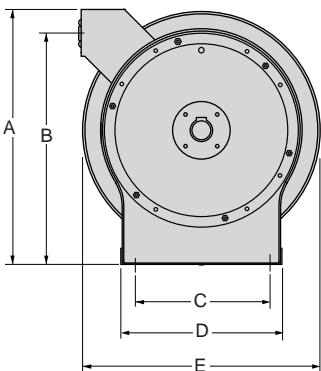
Mounting Holes
4x Ø 0.31



FRAME SIZE GHC
inches (mm)

A	B	C	D	E	F	G	H	J	K	L
17.50	15.625	9.75	11.25	16.50	6.186	3.156	2.50	4.00	5.875	10.25
(445)	(286)	(248)	(285)	(419)	(157)	(80)	(64)	(102)	(149)	(260)

Mounting Holes
4x Ø 0.31



FRAME SIZE GHE
inches (mm)

A	B	C	D	E	F	G	H	J	K	L	M
20.38	18.12	7.88	9.45	19.00	6.63	3.35	3.86	5.43	6.10	11.00	9.5
(518)	(460)	(200)	(240)	(483)	(168)	(85)	(98)	(138)	(155)	(280)	(241)

Swivel this side
GHE-XXXX-OA

Mounting Holes
4x Ø 0.46



Gleason Reel Corp.
600 South Clark St.
Mayville, WI 53050
Phone: 920-387-4120
Fax: 920-387-4189
www.hubbell-gleason.com