



# SERIES MH HOSE REELS

COMMERCIAL / INDUSTRIAL APPLICATIONS  
FOR MOBILE OUTDOOR ENVIRONMENT USE

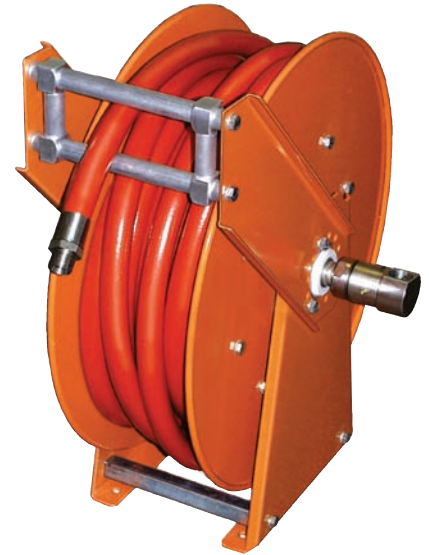
Choose 3/8", 1/2", 3/4", 1", 1-1/4" or 1-1/2" hose. Reels feature spring rewind and ratchet lock, multi-position four roller hose guide and adjustable hose stop. Hand-pull application with rugged steel construction. Steel components protected by durable baked polyester finish. Female input fitting is the same size as output hose on reel spool.

### REELS FEATURE:

- 3/8", 1/2", 3/4", 1", 1-1/4" or 1-1/2" hose
- air, water, oil, grease, or oxygen/acetylene duty
- Rugged steel construction
- High quality swivel joints designed with seals for each specific fluid application
- Hand pull, fully automatic rewind
- Heavy duty mounting brackets
- Spring motors are safety banded, totally enclosed and lubricated for long, trouble free performance
- Positive ratchet lock
- Multi-position adjustable full width hose guides to prevent hose from "stacking"
- Orange polyester baked-on finish
- Adjustable hose stops



Model MHA



Model MHB

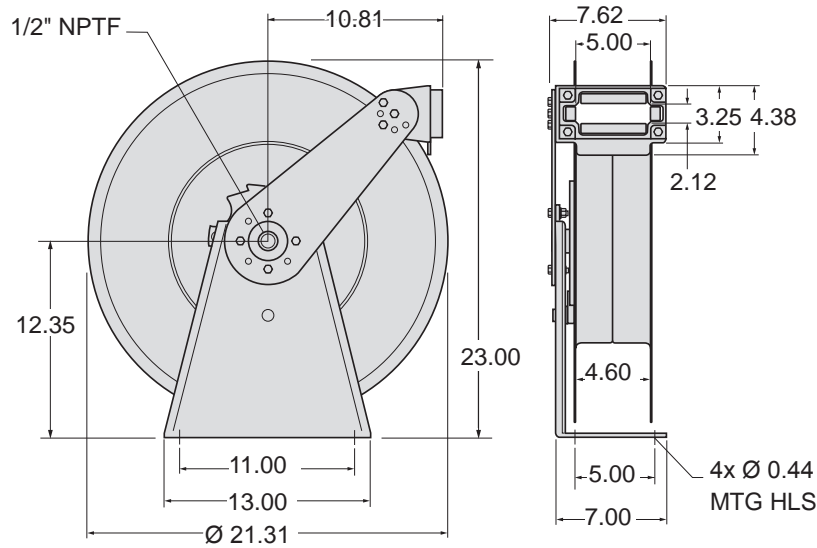
### HOSE REEL DATA

MODEL NUMBER	I.D. inch	LENGTH feet	MAX PRESSURE psi	APPLICATION	DESCRIPTION	INPUT HOSE FITTING	O.D. inch	WGT (LB)
MHA3850-L	3/8	50	300	Air/Water	50' of low pressure 3/8" ID Hose	3/8 NPTF	21/32	70
MHA3875-L	3/8	75	300	Air/Water	75' of low pressure 3/8" ID Hose	3/8 NPTF	21/32	73
MHA5050-L	1/2	50	300	Air/Water	50' of low pressure 1/2" ID Hose	1/2 NPTF	7/8	72
MHA5075-L	1/2	75	300	Air/Water	75' of low pressure 1/2" ID Hose	1/2 NPTF	7/8	77
MHA7550-L	3/4	75	300	Air/Water	50' of low pressure 3/4" ID Hose	3/4 NPTF	1-5/64	88
MHB1070-L	1.00	70	250	Air/Water	70' of low pressure 1.00" ID Hose	1.00 NPTF	1-7/16	164
MHB1250-L	1-1/4	50	300	Air/Water	50' of low pressure 1-1/4" ID Hose	1-1/4 NPTF	1-31/32	160
MHB1275-L	1-1/4	75	300	Air/Water	75' of low pressure 1-1/4" ID Hose	1-1/4 NPTF	1-31/32	178
MHB1525-L	1-1/2	25	300	Air/Water	25' of low pressure 1-1/2" ID Hose	1-1/2 NPTF	2-3/32	157
MHB1550-L	1-1/2	50	300	Air/Water	50' of low pressure 1-1/2" ID Hose	1-1/2 NPTF	2-3/32	171
MHA3850-M	3/8	50	2000	Oil/Hyd. Fluid	50' of medium pressure 3/8" ID Hose	3/8 NPTF	11/16	69
MHA3875-M	3/8	75	2000	Oil/Hyd. Fluid	75' of medium pressure 3/8" ID Hose	3/8 NPTF	11/16	84
MHA5050-M	1/2	50	1000	Oil/Hyd. Fluid	50' of medium pressure 1/2" ID Hose	1/2 NPTF	27/32	80
MHA7550-M	3/4	50	1000	Oil/Hyd. Fluid	50' of medium pressure 3/4" ID Hose	3/4 NPTF	1-3/16	88
MHB1070-M	1.00	70	1000	Oil/Hyd. Fluid	70' of medium pressure 1" ID Hose	1.00 NPTF	1-13/32	176
MHA3850-H	3/8	50	4000	Grease	50' of high pressure 3/8" ID Hose	3/8 NPTF	23/32	85
MHA3875-H	3/8	75	4000	Grease	75' of high pressure 3/8" ID Hose	3/8 NPTF	23/32	97
MHA5050-H	1/2	50	4000	Grease	50' of high pressure 1/2" ID Hose	1/2 NPTF	57/64	93
MHA2550-OA	1/4	50	200	Oxy/Acetylene	50' of 1/4" Oxy/Acetylene Hose	9/16-18 UNF	17/32	72
MHA7550-F	3/4	50	200	Fuel	50' of low pressure 3/4" ID Fuel Hose	3/4 NPTF	1-5/64	79
MHB1250-F	1-1/4	50	300	Fuel	50' of low pressure 1-1/4" ID Fuel Hose	1-1/4 NPTF	1-31/32	159
MHB1550-F	1-1/2	50	500	Fuel	50' of low pressure 1-1/2" ID Fuel Hose	1-1/2 NPTF	2-3/32	171

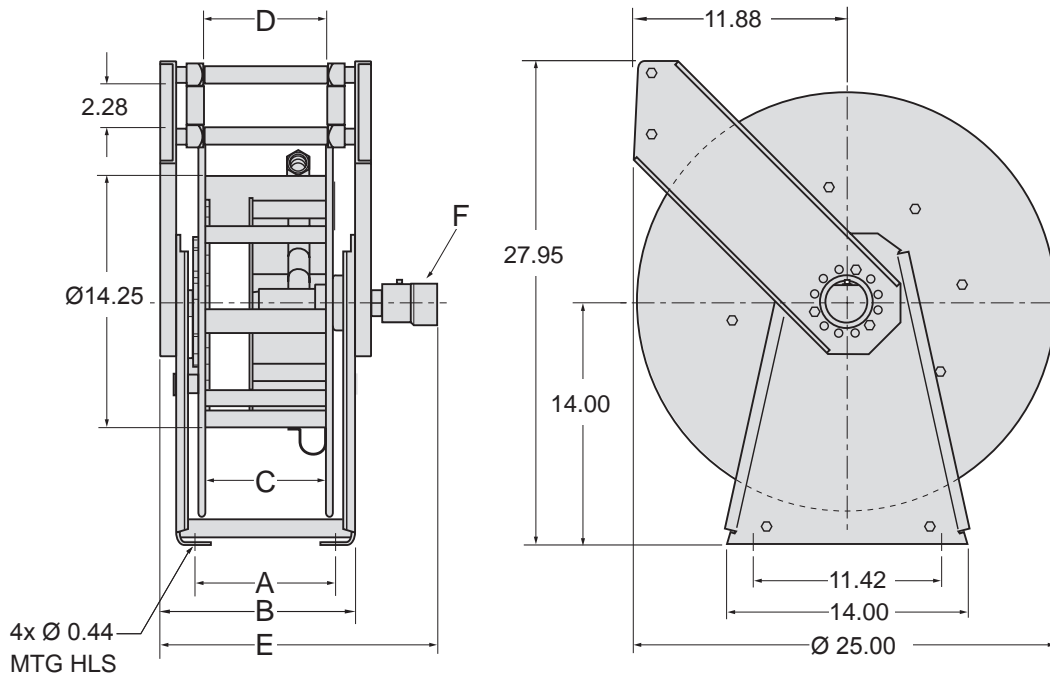
All reels can be supplied without hose. Please consult factory for pricing.

## SERIES MH HOSE REEL DIMENSIONS

All dimensions in inches. For millimeters, multiply inches by 25.4.



## SERIES MHA DIMENSIONS



## SERIES MHB DIMENSIONS

A	B	C	D	E	F
7.83	10.28	7.89	6.73	16.00	1" NPTF
10.98	13.43	10.00	9.84	19.20	1-1/2" NPTF



Gleason Reel Corp.

600 South Clark St.

Mayville, WI 53050

Phone: 920-387-4120

Fax: 920-387-4189

[www.hubbell.com/gleasonreel/en](http://www.hubbell.com/gleasonreel/en)