

SP2 Serverless Page/Party[®]



VoIP Multicast Paging and Intercom

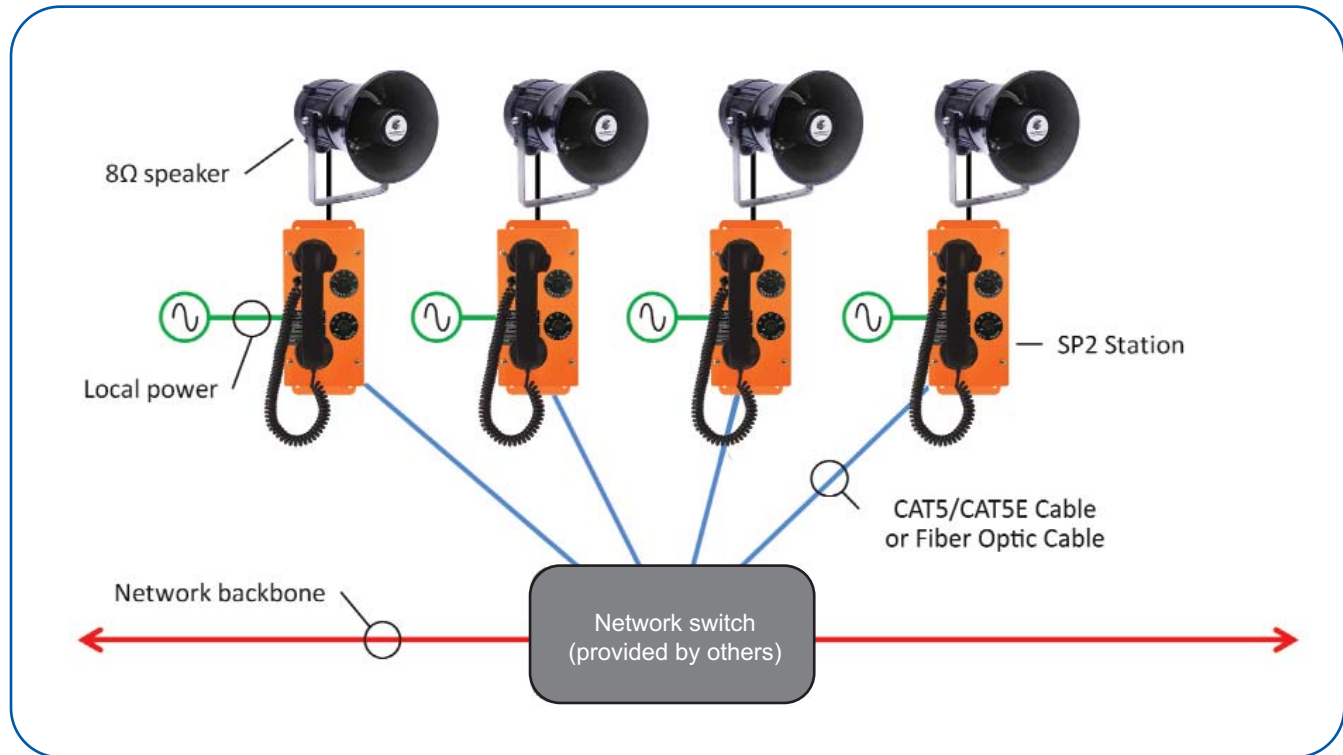
SP2 is GAI-TRONICS' most advanced paging and intercom system yet. Combining the simplicity of "press to page, release to party" operation with cutting-edge multicast Voice over Internet Protocol (VoIP) technology, SP2 is capable of providing virtually instant communication in the most demanding of environments.

SP2 is a serverless system. While other systems rely on servers to route calls and administrate the system, SP2 uses multicast technology, bypassing the need for servers and resulting in a number of benefits.

- SP2 is fast. Since no server is needed to set up call routing and conference bridges, SP2 can provide immediate one way paging and full-duplex "party line" communication.
- SP2 is simple. There's no keypad, no extensions to memorize. Simply lift the handset, select a paging zone, squeeze the handset pressbar, and make an announcement over the system speakers. Release the pressbar and talk on one of the five available party lines.
- SP2 is reliable. There are no servers to fail or update. SP2 will also notify you of any problems via e-mail.
- SP2 is flexible. Every SP2 station is capable of being configured with unique characteristics, including priority, zone destinations, volume levels and so on. Indoor, weatherproof and hazardous area stations with worldwide approvals are available, ensuring that SP2 can be used everywhere it's needed



SP2 Architecture



SP2 is simply wired to the nearest network switch using CAT5/CAT5E Ethernet cable, or Fiber Optic Cable. Local power (AC or DC) is supplied to each station either as a separate power cable or contained in a hybrid power / network cable. Simple screw terminals within the station make field wiring possible without the need for any special tools.

Since SP2 is a serverless system, it can easily be integrated into an existing IP network. This can significantly reduce the installation cost of SP2 and simplify plant data architecture.

All SP2 stations feature a 30W, class D speaker amplifier. This amplifier is capable of producing paging output of up to 126dB when matched with GAI-TRONICS' 30W horn / driver combination.

SP2 stations can be supplied with a handset, for paging and intercom, or without a handset for where only paging coverage is needed.

SP2 Features and Controls

SP2 was designed with the user in mind. SP2 features simple controls that are easily operable while wearing gloves. A handset with a high-output receiver and noise-cancelling microphone ensures clear communication in high noise areas.

Rugged Construction
Reliable communications in any environment
High visibility orange finish

Receiver
Hearing aid compatible

Universal AC or 24VDC Power
Worldwide operation

Party Line Selector Switch
Simple conference calls

Paging Pressbar
One-handed operation

Optional Page Zone Selector Switch
Configurable zoning for every SP2 station

Dynamic Microphone
Built-in noise cancellation ensures clear communication in high noise environments

30 Watt Speaker Amplifier with Ambient Noise Compensation
Clear sound in any environment



SP2 Connections

Each SP2 station can be expanded with several peripheral devices.



A 30W external speaker provides up to 126dB of paging audio



A flashing beacon attracts attention in very high noise areas



A headset enables hands-free operation in any environment

600Ω

A two-way 600Ω audio connection enables simple interfacing with other systems

SP2 Series Variants

SP2 stations are available with many different mounting and environmental options, allowing SP2 to be used in every area of the facility.

Indoor Wall-mount Stations



Indoor Remote-mounted Subset Stations



Weatherproof Wall-mount Stations



Explosion-proof Stations



Zone 2 Stations



Indoor Remote-mounted Subset Stations

Remote Amplifier



Mechanical

Construction 16 gauge cold-rolled steel
 Finish Safety orange powder coating
 Connections Screw-type barrier terminal blocks
 DB25 connection to subset
 Dimensions (overall)..... 12.5 H x 5.25 W x 4.37 D inches (317.5 x 133.4 x 111.1 mm)
 Temperature range -22° F to +140° F (-30° C to +60° C)
 Relative Humidity 95%, non-condensing

Approvals

Electical Safety..... Complies with IEC 60950 and UL 60950
 CE Mark Complies with Low Voltage Directive 73/23/EEC,
 and the EMS Directive 89/336/EEC amended by the Directive 93/68/EEC

Remote Amplifier SP2 Part Numbers*:

SP2 Series	Indoor Wall-mount	Party Lines	Station Type	Connection / Control	Remote	Approval	Finish	Options	Entries
9	3	0	X	X	0	X	X	X	0
			↓	Ethernet with RTU 2	↓		Orange 1	No Options 0	Trop TR A
				Fiber with RTU* B					
Note: *Fiber optic stations require a suitable SFP module. Contact GAI-TRONICS for more information.			↓	AC Remote Handset/Speaker Station 4		↓		Gray 2	70/100V R
			↓	DC Remote Handset/Speaker Station 8		↓			70/100V, TR S

Desktop / Wall-mount Subset



Mechanical

Construction Black ABS housing with aluminum front panel
 Connections DB25 connection to remote amplifier
 Dimensions (overall)..... 8.94 H x 7.6 W x 4.56 D inches (227.1 x 193 x 115.8 mm)
 Temperature range -22° F to +158° F (-30° C to +70° C)
 Relative Humidity 95%, non-condensing

Approvals

Electical Safety..... Complies with IEC 60950 and UL 60950
 CE Mark Complies with Low Voltage Directive 73/23/EEC,
 and the EMS Directive 89/336/EEC amended by the Directive 93/68/EEC

Desktop / Wall-mounted Subset SP2 Part Numbers*:

SP2 Series	Mounting	Party Lines	Station Type	Operation	Handset	Approval	Finish	Options	Entries
8	4	5	0	0	8	X	3	X	0
						↓		No Options 0	Trop TR A
						CE B			

* Items marked as "X" are configurable. Not all option combinations are possible – please contact GAI-TRONICS for assistance.

Indoor Remote-mounted Subset Stations - cont.

Flush-mount and Deskedge Subsets



Mechanical

Construction 16 gauge cold-rolled steel
 Finish Safety orange powder coating
 Connections DB25 connection to remote amplifier
 Dimensions (overall)
 Flush-mount 6 H x 6 W x 5.61 D inches (152.4 x 152.4 x 142.5 mm)
 Desk-edge 5 H x 3.19 W x 7.01 D inches (127 x 81 x 178 mm)
 Temperature range -22° F to +140° F (-30° C to +60° C)
 Relative Humidity 95%, non-condensing

Approvals

Electrical Safety Complies with IEC 60950 and UL 60950
 CE Mark Complies with Low Voltage Directive 73/23/EEC,
 and the EMS Directive 89/336/EEC amended by the Directive 93/68/EEC

Flush-mount and Deskedge Subsets SP2 Part Numbers*:

SP2 Series	Mounting	5-Party Lines	Subset	Subset	Handset	Approval	Finish	Options	Entries
8	X	5	0	0	X	X	X	X	0
	Flush-mount 5 Desk-edge 6			6' PVC 1 15' PVC 2 25' PVC 3	6' Hytrel® 4 15' Hytrel® 5 25' Hytrel® 6	UL Safety R CE B	Orange 1 Gray 2	No Options 0 Trop TR A	

Explosionproof Wall-mount Stations



Mechanical

Construction Cast aluminum with gray epoxy coating
 Connections Screw-type barrier terminal blocks
 Dimensions (overall) 14.31 H x 13.06 W x 11.68 D inches (363.6 x 331.8 x 296.6 mm)
 Temperature range -4° F to +140° F (-20° C to +60° C)
 Relative Humidity 95%, non-condensing
 Environmental Rating Type 4X (IP66)

Approvals

Electrical Safety Complies with IEC 60950 and UL 60950
 CE Mark Complies with Low Voltage Directive 73/23/EEC,
 and the EMS Directive 89/336/EEC amended by the Directive 93/68/EEC
 NRTL (Listed USA and Canada) Hazardous locations, Class I, Div. 1, Groups B, C, D
 Class II, Div. 1, Groups F, G, Class III, Div. 1, T6
 ATEX/IECEx Certified II 2 G Ex d [ib] IIB + H2 T6

Explosion-proof Wall-mount SP2 Part Numbers*:

SP2 Series	Outdoor Wall-mount	Party Lines	Station Type	Connection / Control	Handset	Approval	Gray Epoxy Finish	Options	Entries
9	2	X	X	X	X	X	5	X	X
	Amp Only 0 Multi Party 5	AC Handset/Speaker 1 AC Speaker 3 DC Handset/Speaker 5 DC Speaker 7		Ethernet with RTU 2 Ethernet with ALT Page and RTU 4 Ethernet with All Call and RTU 6	Fiber with RTU* B Fiber with Alt* C Page and RTU D Fiber with All* E Call and RTU F	Amp Only 0 6' PVC 1 15' PVC 2 25' PVC 3 6' Hytrel® 4 15' Hytrel® 5 25' Hytrel® 6	UL CI D1 C ATEX Zone 1 E IEC Zone 1 G	No Options 0 Trop TR A	UL 1 2x1.5NPT 2x0.75NPT ATEX/IEC 2 2xM40 2xM20

Note:
 *Fiber optic stations require a suitable SFP module. Contact GAI-TRONICS for more information.

* Items marked as "X" are configurable. Not all option combinations are possible – please contact GAI-TRONICS for assistance.

Weatherproof Wall-mount Stations



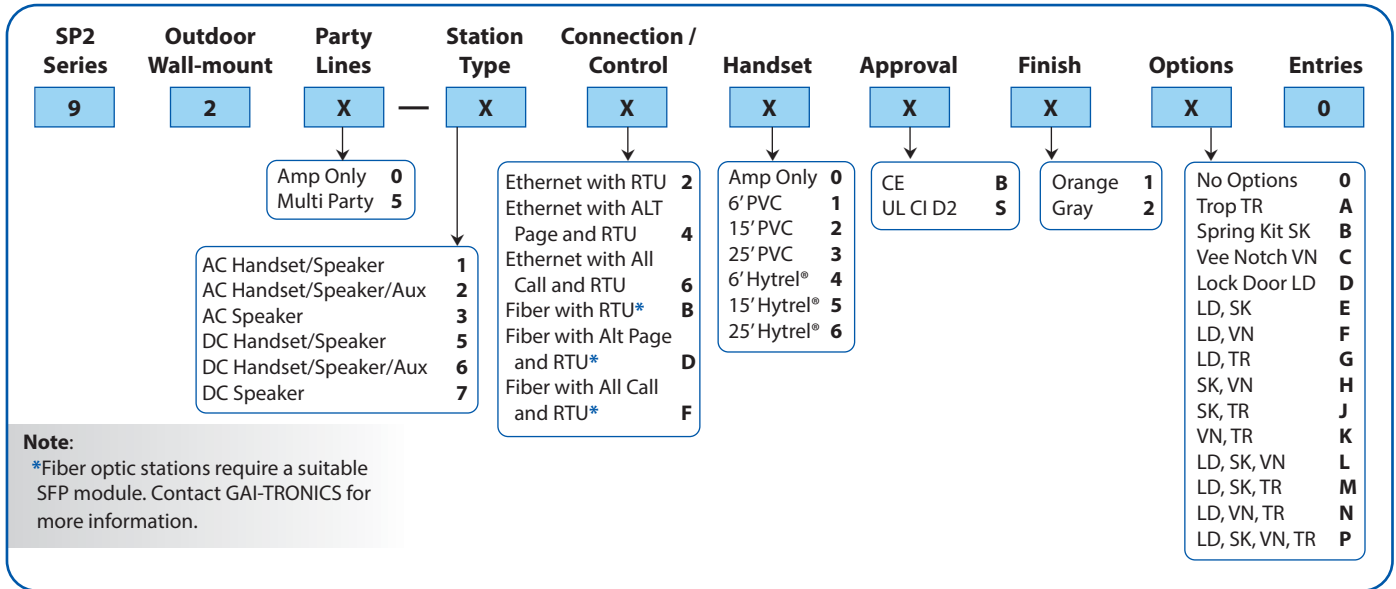
Mechanical

Construction Engineered glass-reinforced plastic
 Connections Screw-type barrier terminal blocks
 Dimensions (overall)..... 14.6 H x 10.9 W x 10.5 D inches (371 x 276 x 267 mm)
 Temperature range -22° F to +140° F (-30° C to +60° C)
 Relative Humidity 95%, non-condensing
 Environmental Rating Type 4X (IP66)

Approvals

Electical Safety..... Complies with IEC 60950 and UL 60950
 CE Mark Complies with Low Voltage Directive 73/23/EEC,
 and the EMS Directive 89/336/EEC amended by the Directive 93/68/EEC
 NRTL Listed Hazardous locations, Class I, Div. 2, (USA and Canada)
 Groups A, B, C, D

Weatherproof Wall-mount Station SP2 Part Numbers*:



* Items marked as "X" are configurable. Not all option combinations are possible – please contact GAI-TRONICS for assistance.

Accessories

Acoustic Hood - 9/14dB



- 6866-001 – Yellow hood 9dB
- 6866-002 – Gray hood 9dB
- 6866-003 – Yellow hood 14dB
- 6866-004 – Gray hood 14dB

Acoustic Hood - 23dB



- 988-60-0002-701 – Yellow hood
- 988-60-0002-702 – Red hood
- 988-60-0002-703 – Orange hood
- 988-60-0002-704 – Blue hood

Headset / Extension Cable



- 10401-201 – Headset/Microphone
- 10416-103 – 30' Extension cable with push-to-page switch
- 10416-104 – 50' Extension cable with push-to-page switch
- 10416-105 – 8' Extension cable with push-to-page switch

Subset Extension Cable



- 12587-101 – 25' Subset extension cable with fitted connectors.
- 12587-102 – 25' Subset extension cable with fitted connectors and wall plate.
- 12587-104 – 15' Subset extension cable with one fitted and one loose connector.

SP2

Contact your sales representative or call our toll-free sales hotline for further information at 1-800-492-1212.

Look to GAI-TRONICS, a leader in the emergency notification industry through its innovative products, uncompromising quality and advanced technology.

Visit us @ www.gai-tronics.com



Quality Management System Certified by DNV-GL - ISO 9001:2015. The policy of GAI-TRONICS is one of continuous improvement; therefore the company reserves the right to change specifications without notice.



Pub. 160303 Rev 9/2018