



Idea Book

Solve any manufacturing problem with these flexible work designs



ToolAssistPro material handling and ergonomic products offer flexible solutions for manufacturing and shipping operations. Improve your workflow, increase productivity and efficiency. Lower your direct and indirect costs from injuries and prevent tool damage or loss.

Any business in any industry that uses tools benefit with our products. So, how can you use them? Idea sheets! Each page shows you a new, better, or different way to use our products to solve workplace problems. Simple, step-by-step “how to” procedures or completely new kits that you can create from our existing components.

Some of these came from customers who showed us how they use our products and components. Other came from our engineers trying to solve a customer’s problem. Wherever they originated, they’re all unique and interesting.

Maybe you’ll be saying: “I wish I had thought of this years ago!”

Table of Contents

Workbenches

Versatile Bench: Conveyor Support	2
Neat & Tidy 36" Bench Back	3
Bench Top Bridge	4

Jibs & Booms

Jibs with Balancers	5	Heavy-duty Overhead Crane	14-15
Quick Jibs	6	Overhead Tool Crane	16
150 lb Capacity Jib for Big Tools	7-8	Heavy-duty Continuous Tool Rails	17-18
300 lb Capacity Swing Jib	9	Twin-Rail Assembly Station	19
Twin Booms for Increased Productivity	10	Heavy-duty Tool Rail Hanger	20
Jib Kits to Manage Multiple Tools	11	No-weld, Minimal Cut Tracking	21
Gantry Tool Crane	12	Beam Clamps to Mount Tool Rails	22
Balancer Over Work Area	13	Tool Rail Above Wire Harness Board	23

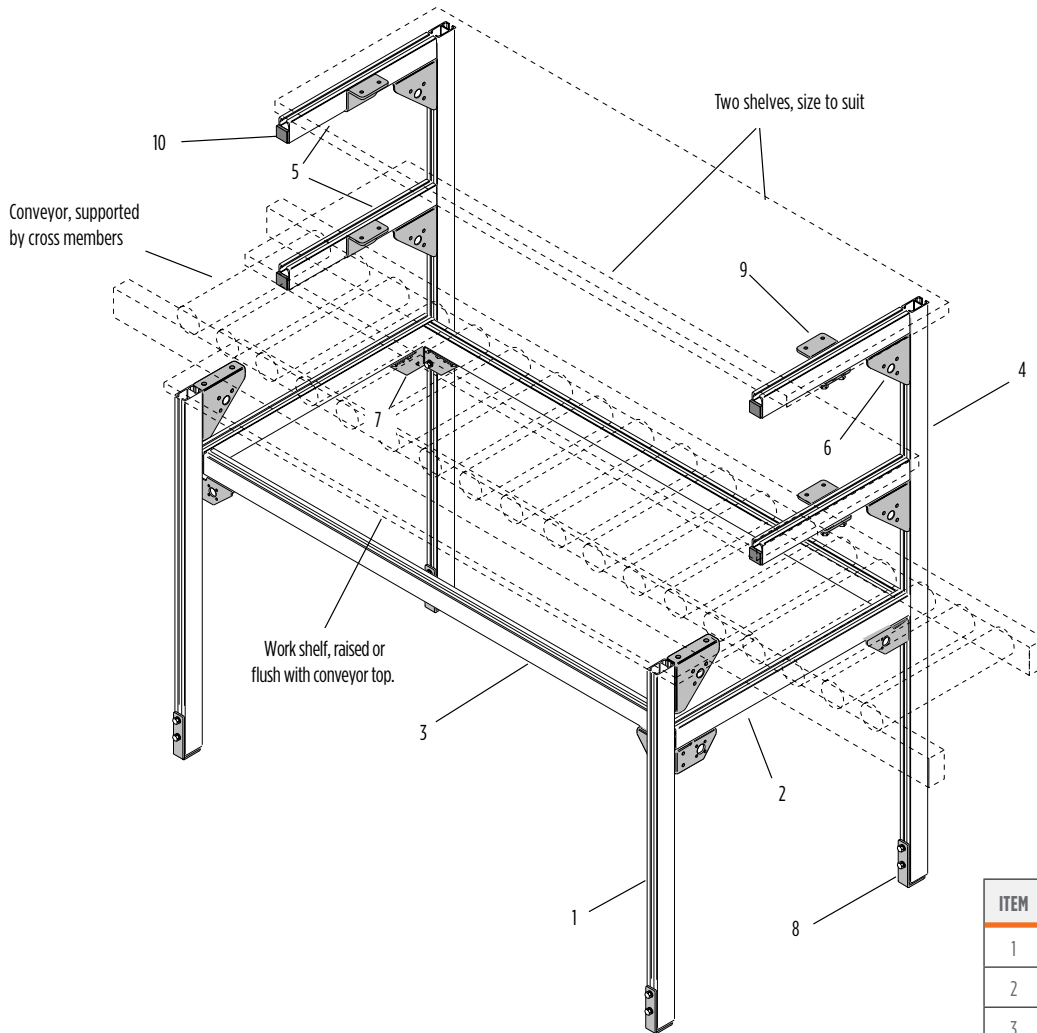
Workstation Kits

Create a Workstation with a Traveling Boom	24	Mouse Pad Tray	39
Make Your Own Custom Kit	25	Mounts to Align Reels with Work	40
Make Blind Riveting Easier	26	See-through Modular Bin Racks	41
Rivet Tool & Workstation Kit	27	Flexible & Coiled Air Lines for Workstations	42
TORQ-ARM™ for Trolley Mounting	28	Shelf with Four-Position Tilt Adds Flexibility	43
Attach Pegboard to Workstations	29	Keyed Reel Mounting Plate	44
Alternate Pegboard Attachment Methods	30	4 ft LED Workbench Light	45
Universal Base Pocket Workstation Mount	31	Put Some Light on the Subject!	46
Solve Wiring Logistics Issues	32	Prevent Cable Damage	47
Put a Workstation Wherever You Need It	33		
Test Bed Cart	34		
PLACE 'n PICK™ Shelf Cart	35		
Adjustable Foot Rest	36		
Connect Festoon Track to Beams	37		
360° Swivel Base with Flexible Conduit Lead	38		

Versatile Bench

Conveyor support & shelf setup

A new aluminum rail system can have broad applications. Consider your customer's needs and the versatility, then let your imagination run wild. This design features three shelves and a conveyor supported by the bench cross member. All frame components are standard except the length of some of the rails which may need cutting to fit the shelf width. You can use standard track nuts to fasten conveyor to rail.

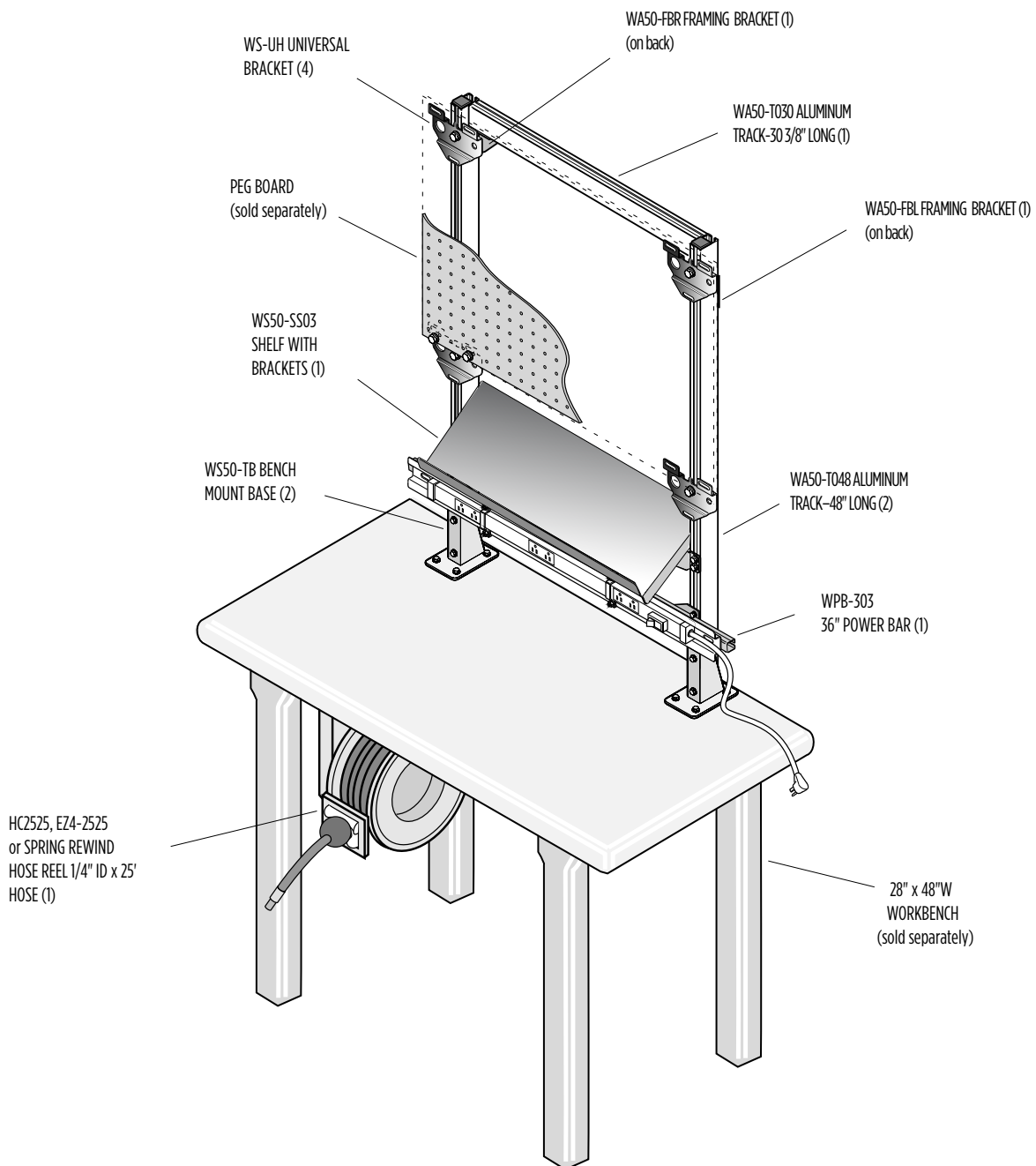


ITEM	QTY.	DESCRIPTION	MODEL NO.
1	2	RAIL, 36"	WA50-T036
2	2	RAIL, 29"	WA50-T029
3	2	RAIL, 72"	WA50-T072
4	2	RAIL, 60"	WA50-T060
5	2	RAIL, 29" (cut to two 13" lengths, 4 total pieces)	WA30-T029
6	6	ANGLE BRACKET	WS-AB
7	4	CENTER BRACKET	WA-CB
8	4	LEVELER FOOT	WA-LF
9	4	TOP MOUNTING BRACKET	WA-TMB
10	4	END CAP	WS50-EP

Neat & Tidy 36" Bench Back

Aluminum frame provides strength & rigidity

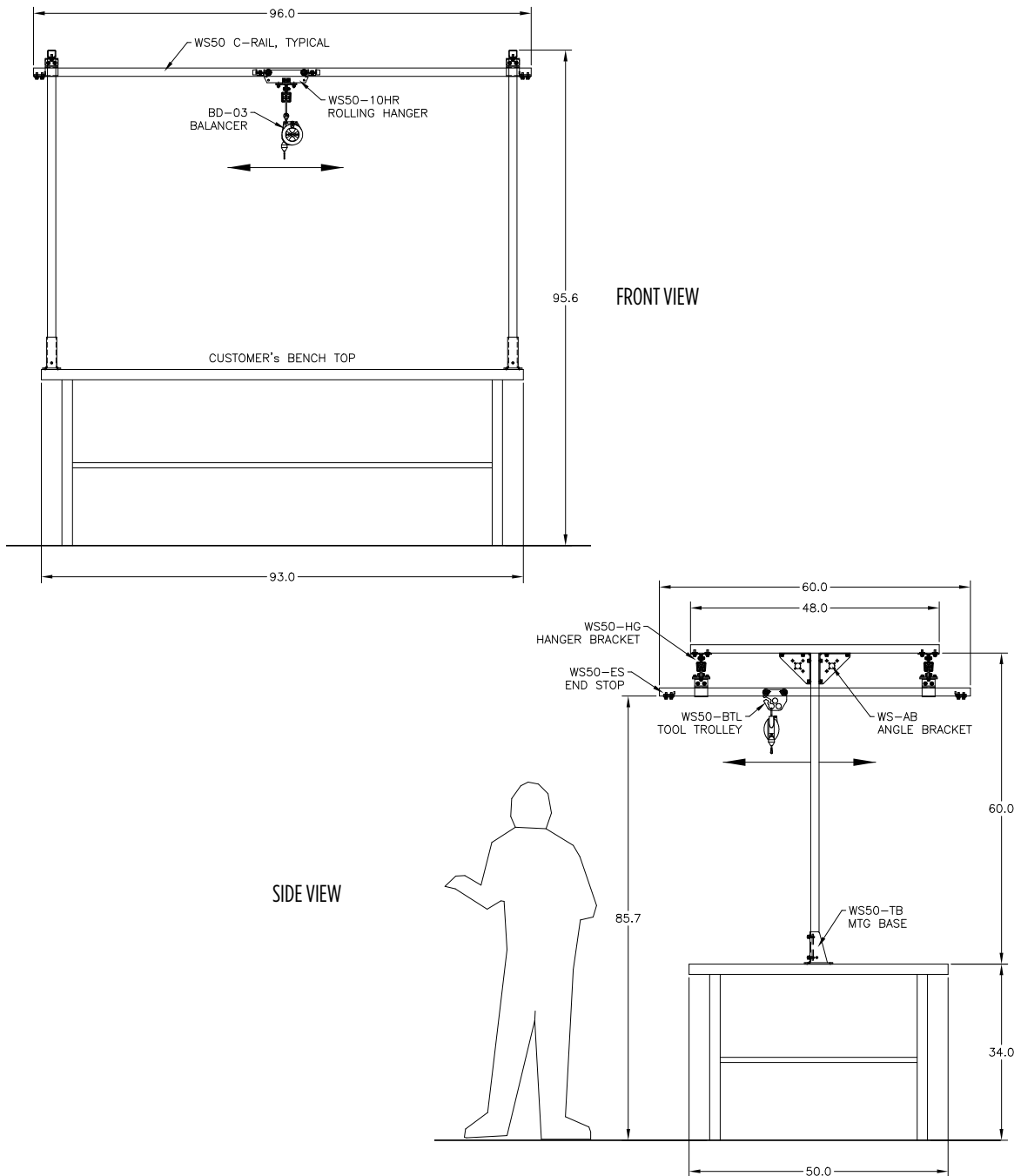
Many workstation applications don't require overhead tool rails. A vertical structure to hold tools and parts can do the job. Create a strong, rigid small workbench back using **WA50** track, standard brackets, and accessories. All components are right out of the catalog. Just add a peg board or magnet/marker board, or even a hose reel as a finishing touch.



Bench Top Bridge

Assemble with ease

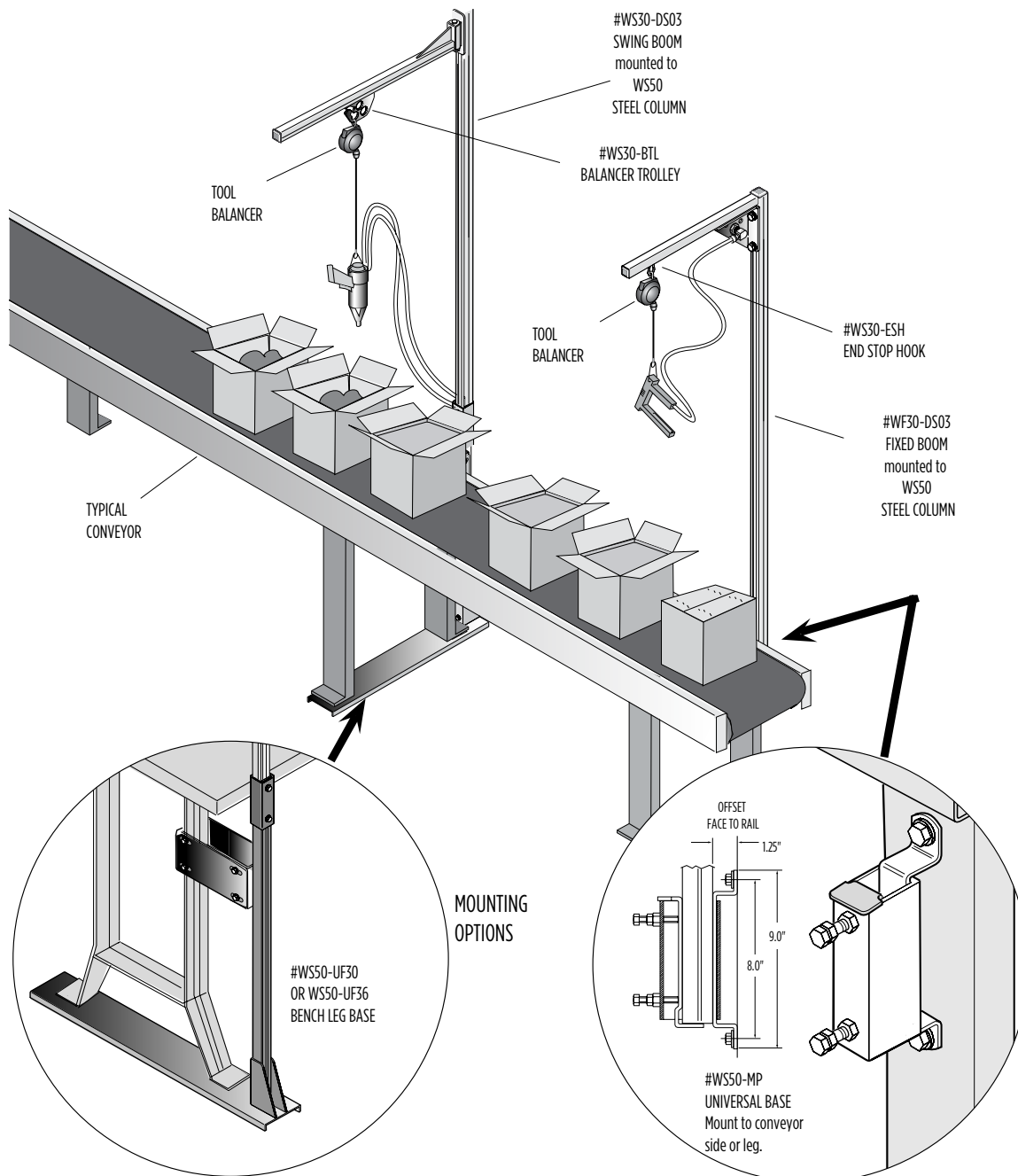
Use a tool balancer to an overhead rail to bridge workstations. Move assemblies along for an easy workflow. You just need a rolling hanger or trolley to change it up.



End of the assembly line blues?

Jibs with balancers could be your answer!

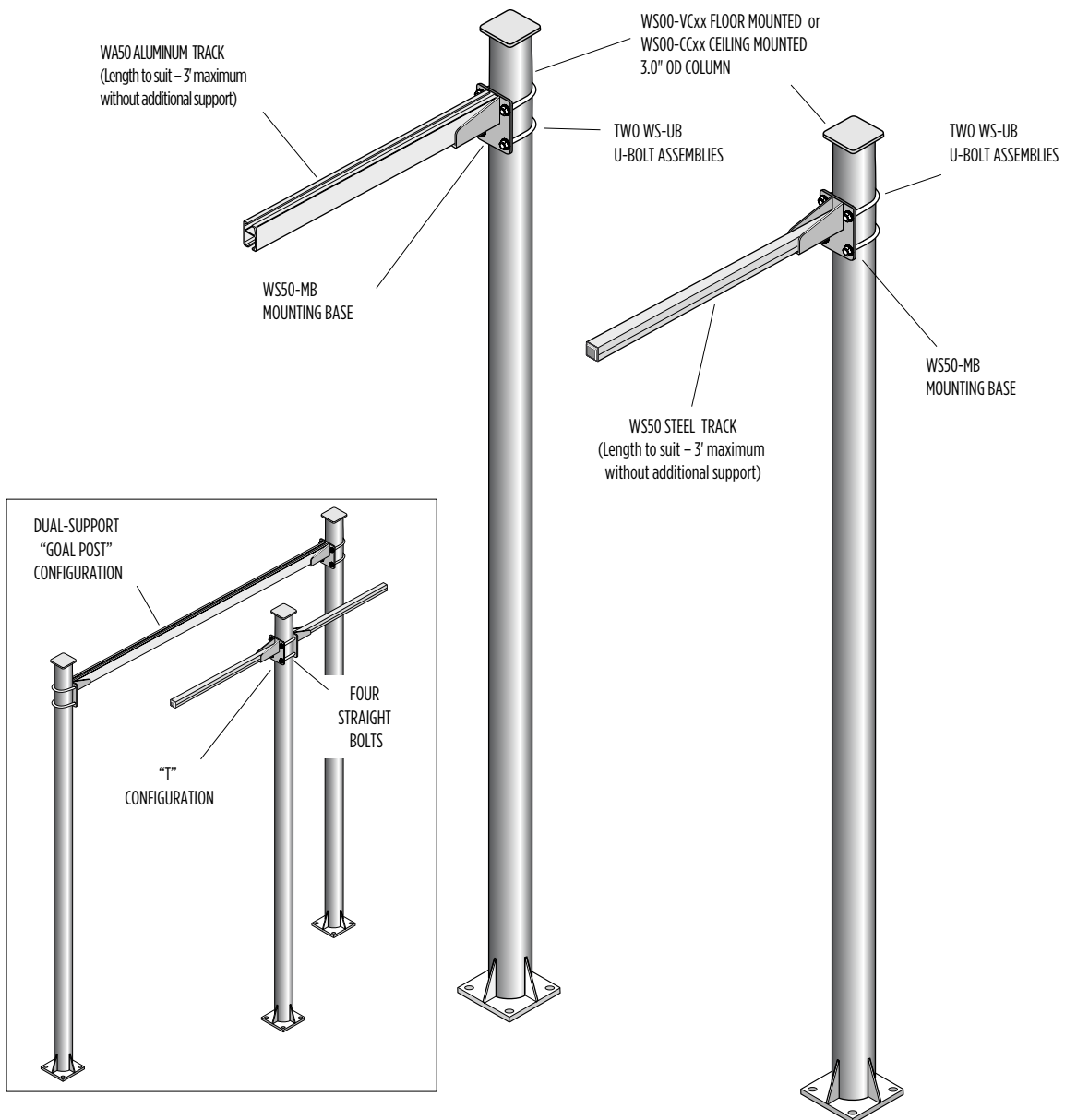
Foam guns, staplers, and glue guns are just as important as impact wrenches. Keep them out of the way yet in reach. There are many possible ways to make the “end of the line” people more productive with tool jibs.



Quick Jibs

WS50-MB Mounting Base doubles as Boom Mount

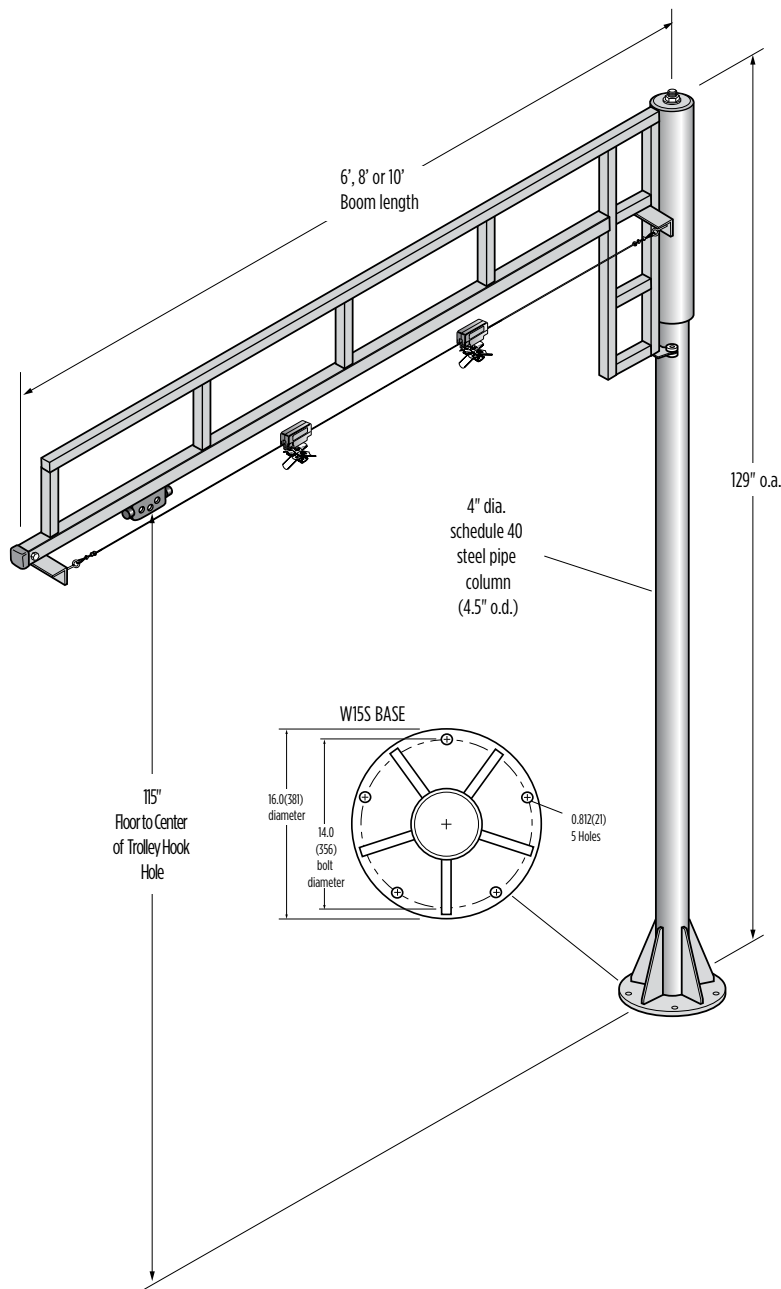
Hang **WS50** steel track or **WA50** extruded aluminum track on standard 3" OD vertical columns to make jibs or rail supports. It's easy and inexpensive. Height is fully adjustable. More than one "boom" can be mounted to each column, as shown in the inset, or two booms can support longer track. May also be hung overhead using **WS00-CC** ceiling mounting columns. Maximum boom length with one end supported is 3 feet. 50 lbs maximum capacity.



150 lb Jib for big tools

Keeps large air or electric tools suspended overhead

An extra-heavy-duty jib is ideal for Ergo 3 balancers with heavy torque wrenches and similar equipment. Boom swings full 360° but you can limit it with optional stops. Create a six-to-10-foot boom with rugged **WS60** rail with ladder reinforcing. Ten-foot-high vertical column is 4" o.d. schedule 40 pipe. Boom supported by tapered bearing and heavy-duty rollers. Includes wire rope festoon system with two trolleys.

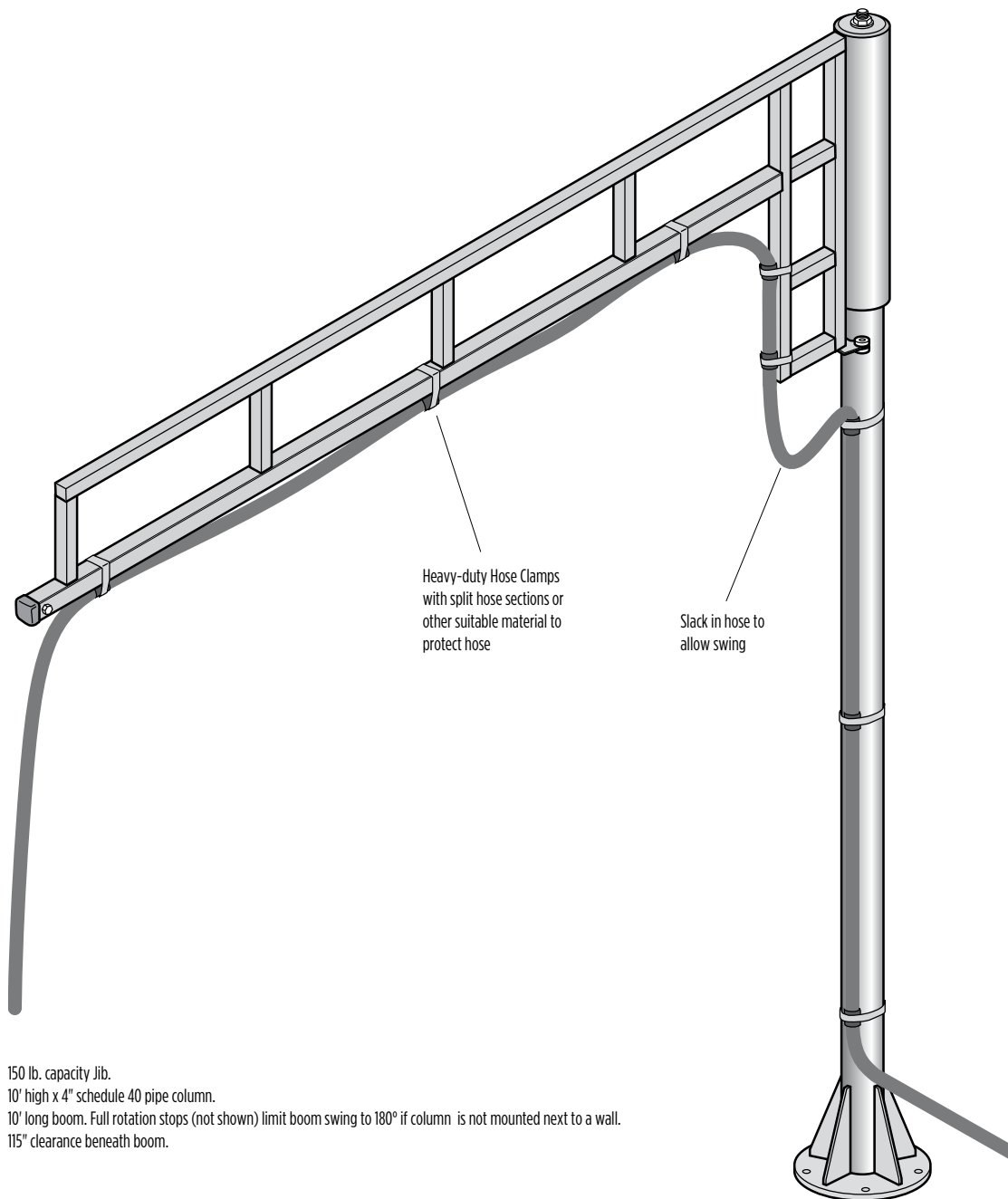


150 lb (67.5kg) capacity Jibs			
Boom is WS60 rail. Column is 4" schedule 40 steel pipe.			
6.0 (3.0)	360° Swing	10.0 (3.0)	#W155-100600
8.0 (3.0)	360° Swing	10.0 (3.0)	#W155-100800
10.0 (3.0)	360° Swing	10.0 (3.0)	#W155-101000
*Full rotation stops			#W6S-SK

150 lb Jib provides overhead access

Swings out of the way when not in use

The 150-pound capacity of our extra-heavy-duty jib is ideal for supporting large hoses or cables. Boom swings out to perform task, stores flush with wall when not in use. Mount the hose or cable easily using cable clamps and suitable protective sleeves. If not installed next to wall, swing limiting stops must be used.

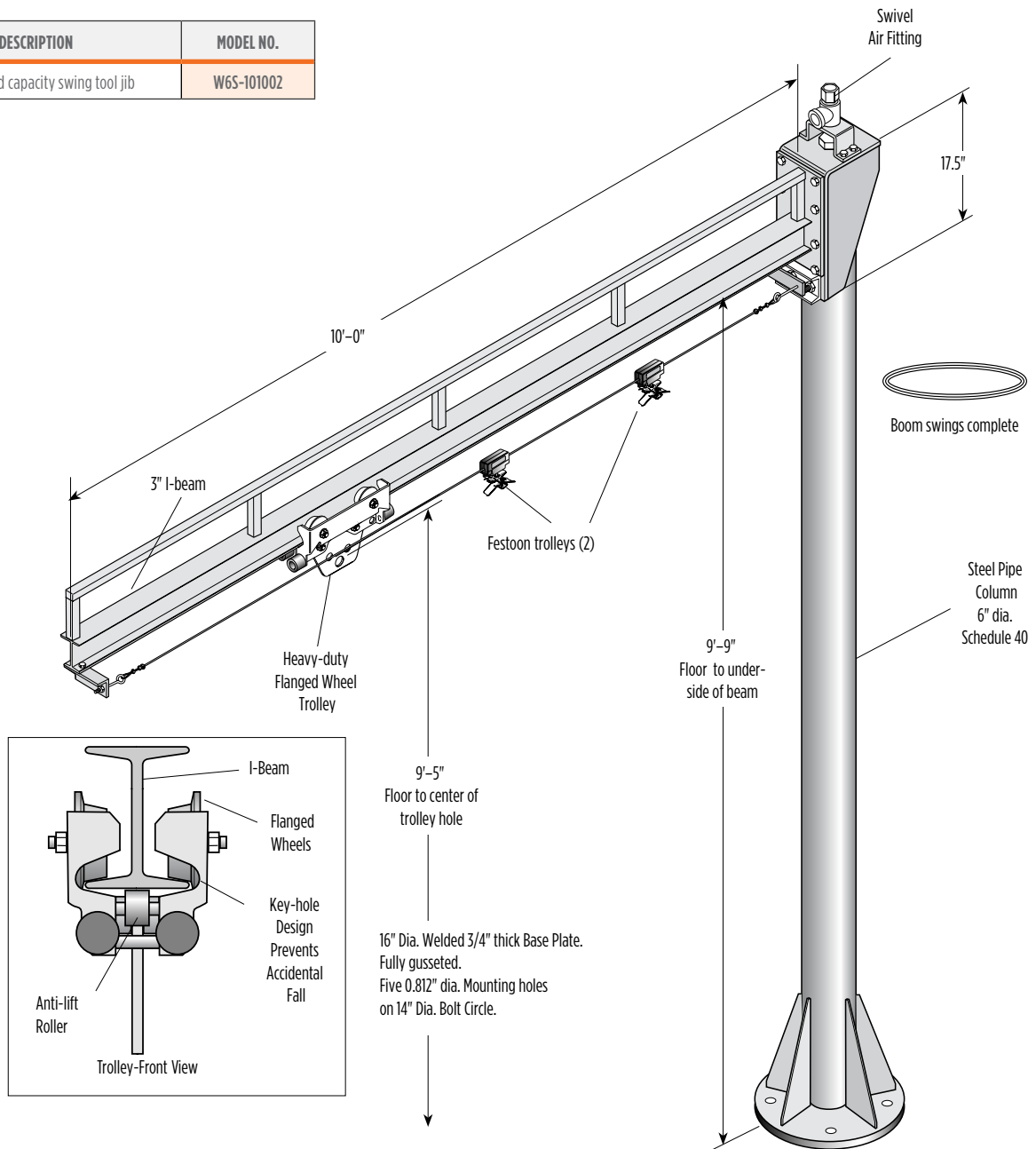


300 lb Capacity Swing Jib

Rugged I-beam boom swings full 360°

If you use large tools with air balancers, our **W6S** 300 lb. tool jib is for you. The flanged wheel trolley rolls on an I-beam mounted to a tubular steel column. Air supply is conveniently handled by a swivel fitting at the top of the column and festoon trolleys leading to the balancer trolley. Boom swings full 360°, supported by heavy tapered roller bearing and two rollers.

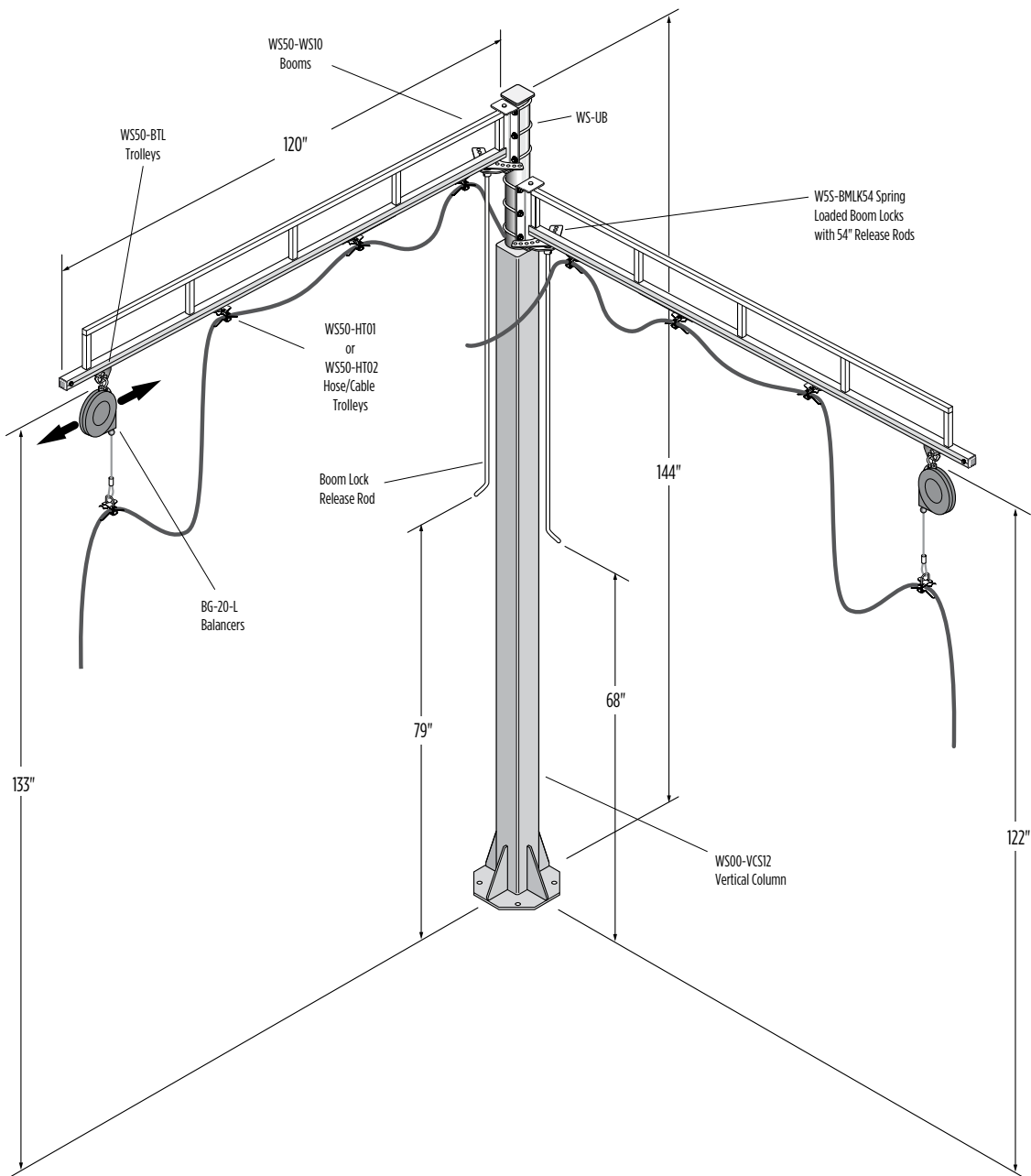
DESCRIPTION	MODEL NO.
300 pound capacity swing tool jib	W6S-101002



Twin Booms increase productivity

Puts tools where needed, out of way when not needed

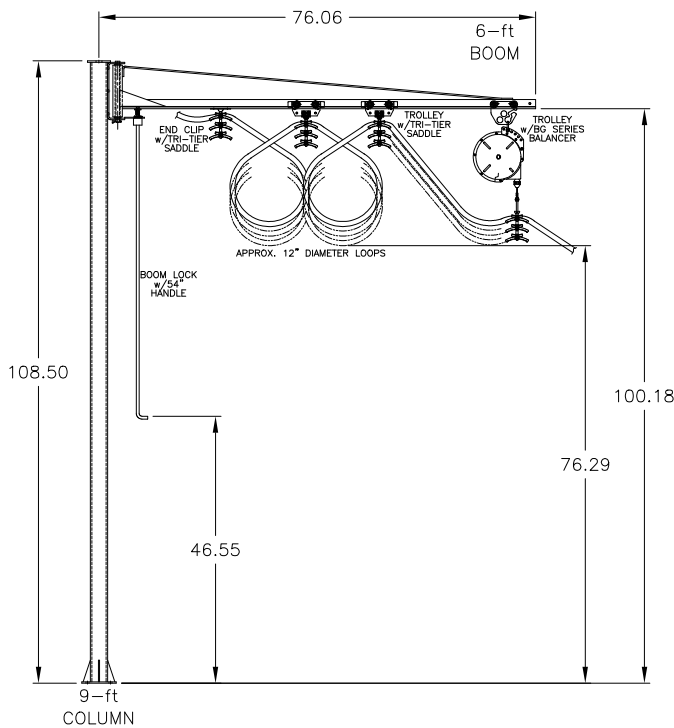
Use a twin boom jib to put tools into the hands of people working apart on a large product (like the bow and stern of a boat). Each boom swings approximately 170° but cannot cross. Stops can be set to allow free swing or to lock boom in straight position and at every 15° in either direction. Unit is not available as a kit—order the individual parts (model numbers shown below).



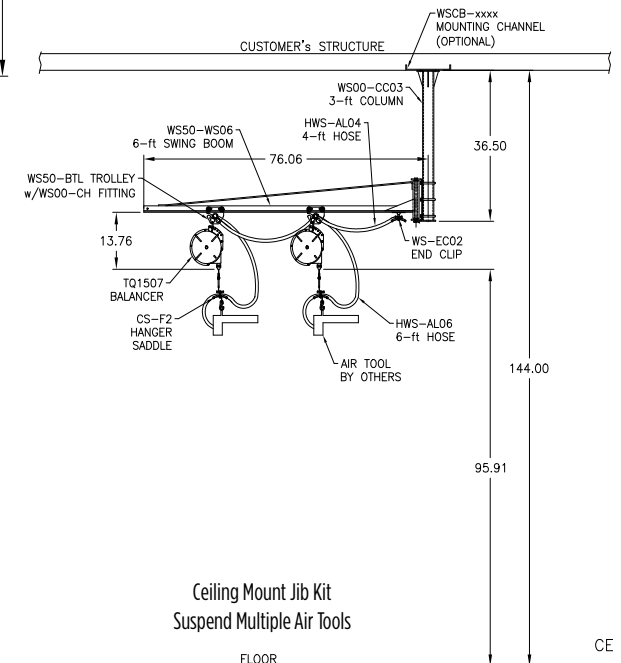
Keep tools suspended overhead with Jib Kits

Manage multiple air tools and cables

Use ToolAssistPro jib kits and festooning to keep tools suspended over a work zone. Tools located overhead keeps them in safe and ready to use. You won't have to worry about losing expensive tools, tripping over cables, or adding extra strain to assemblers. Jib kits can be ceiling or floor mounted. View our catalog for more information.



Floor Mount Jib Kit
Manage Multiple Cables with Tri-Tier Festoon Saddles

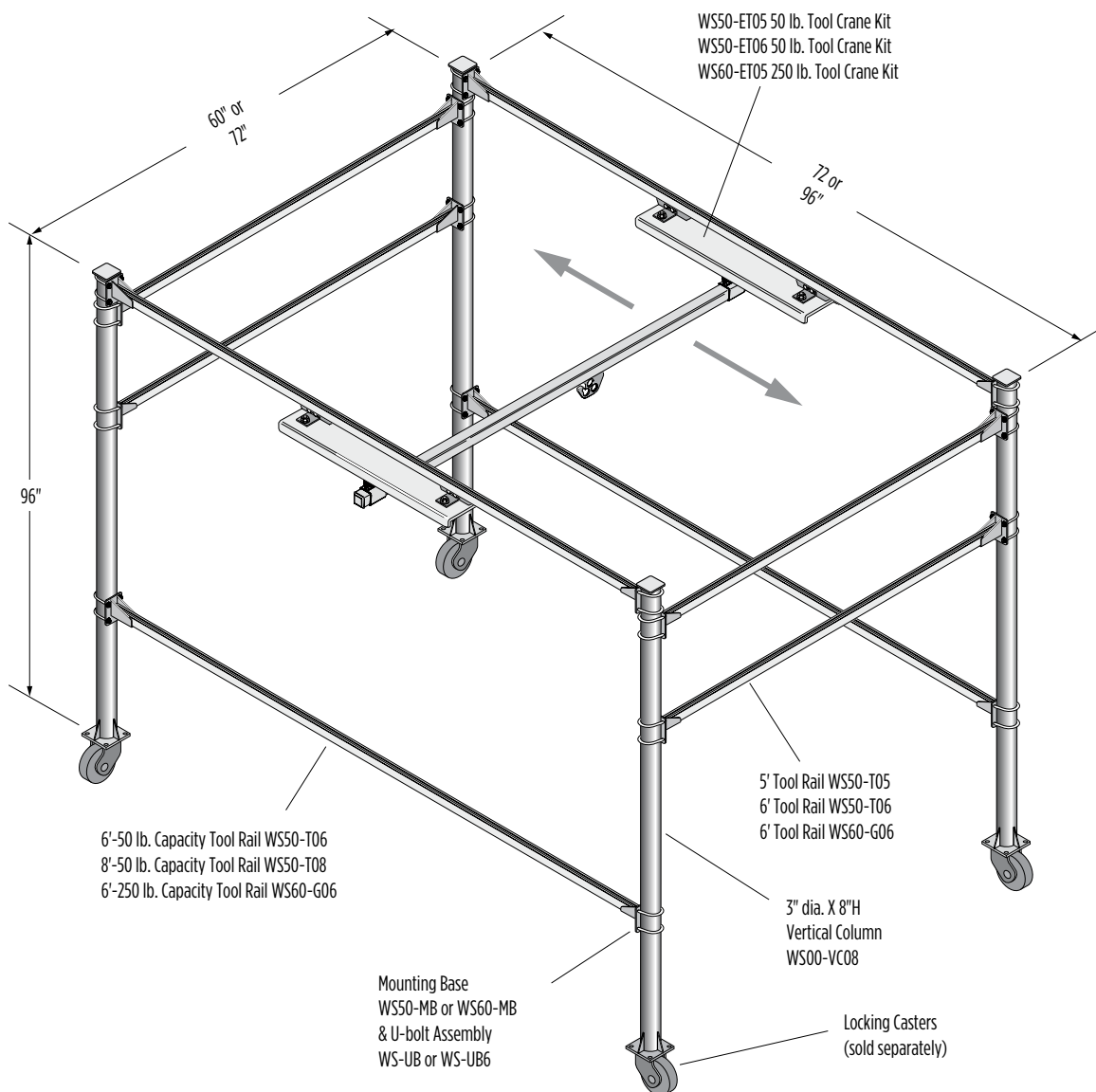


Ceiling Mount Jib Kit
Suspend Multiple Air Tools

Gantry Tool Crane

Straddles work area or assembly line

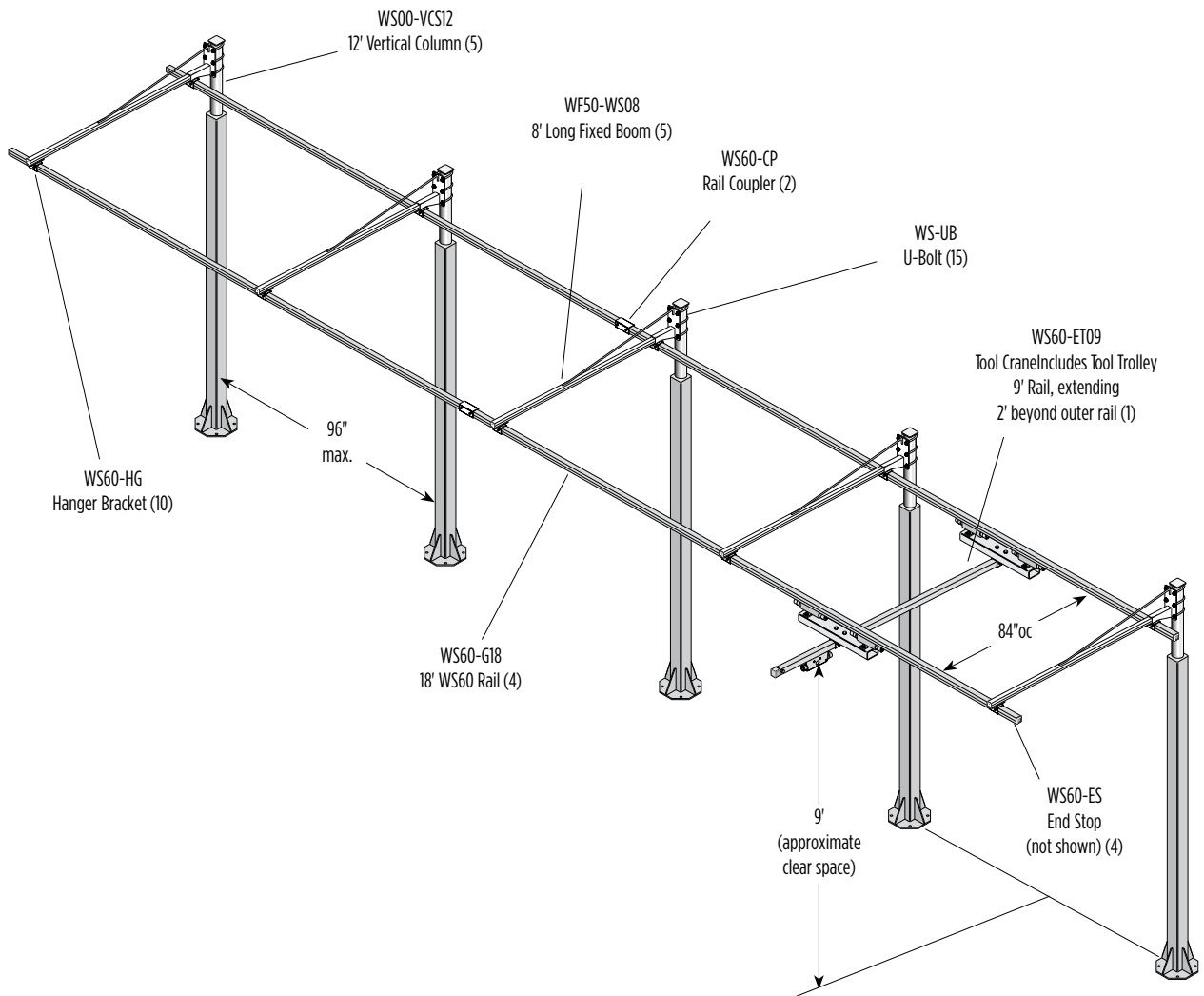
Assemble this highly versatile gantry tool crane from standard components and kits. Capacity varies depending on which components are used. A 50 lb. capacity crane uses **WS-50** components and a **WS50-ET05** or **WS50-ET06** tool crane kit. The rugged 250 lb. capacity unit is assembled from WS-60 components and a **WS60-ET06** tool crane kit. To maintain full 250 lb. capacity, the rails runs must be no more than 72" in length. Longer spans decrease capacity. The cranes are designed to provide overhead tool support and are NOT designed for lifting. **WS50** components have bake polyester finish. **WS60** components are galvanized or zinc plated.



Put Balancer over work area

WS60 Tool Crane reaches out to task

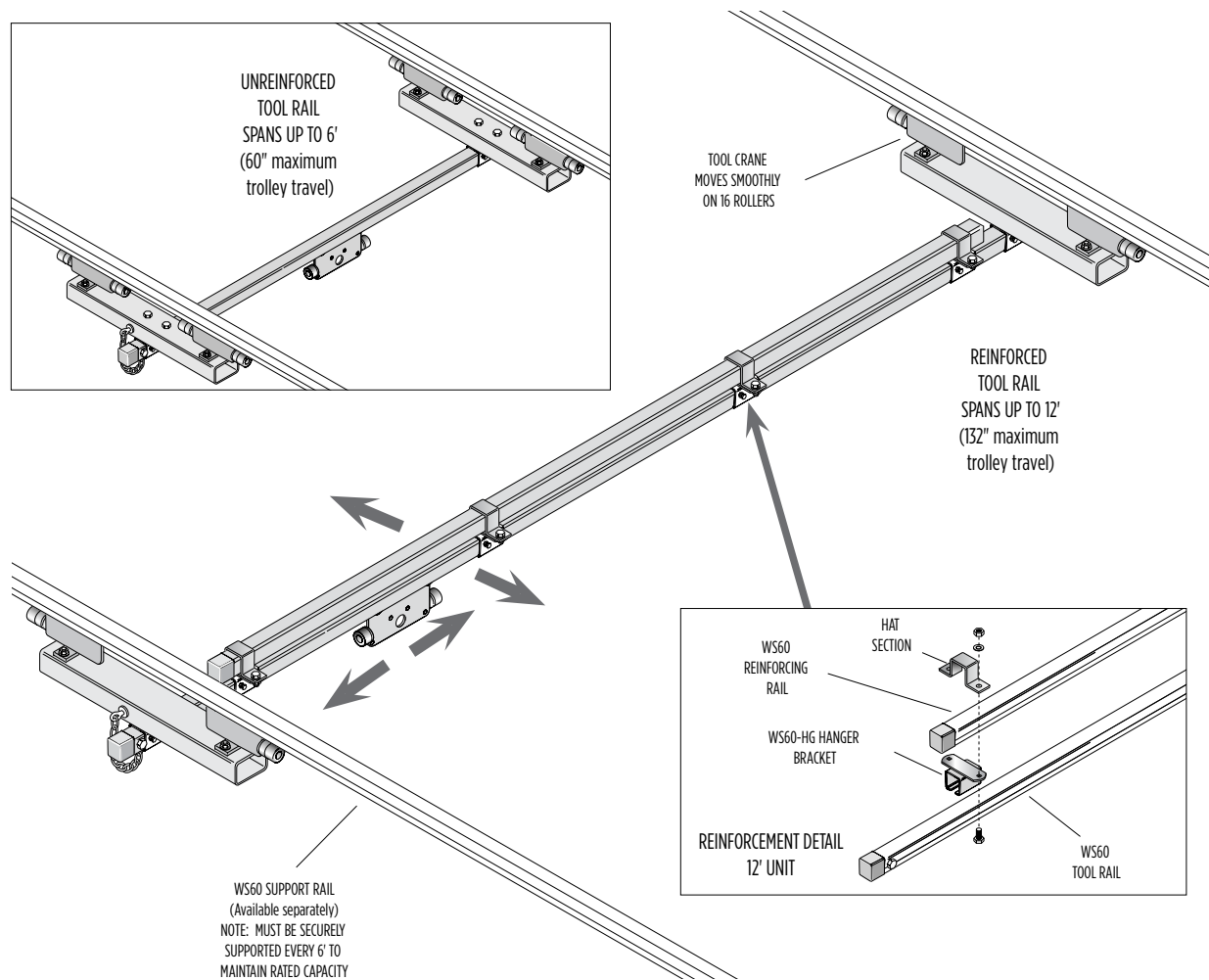
Originally designed to facilitate removal of cast aluminum car wheels from casting machines, the structure below was constructed from standard components (the **WS60-ET09** tool crane is not cataloged but is available). It's ideal for heavier tools on assembly lines and similar applications. Total rail length can be customized to fit the job. The one shown here is 36' long. Maximum capacity, including balancer plus tool or air hoist plus load is 85 lbs. Using more than one tool crane is not recommended unless some provision is made to prevent the cranes from coming too close together. This could overload the rail structure. Secure and properly anchor the columns (suggested anchoring details are provided with each column).



Heavy-duty Overhead Crane

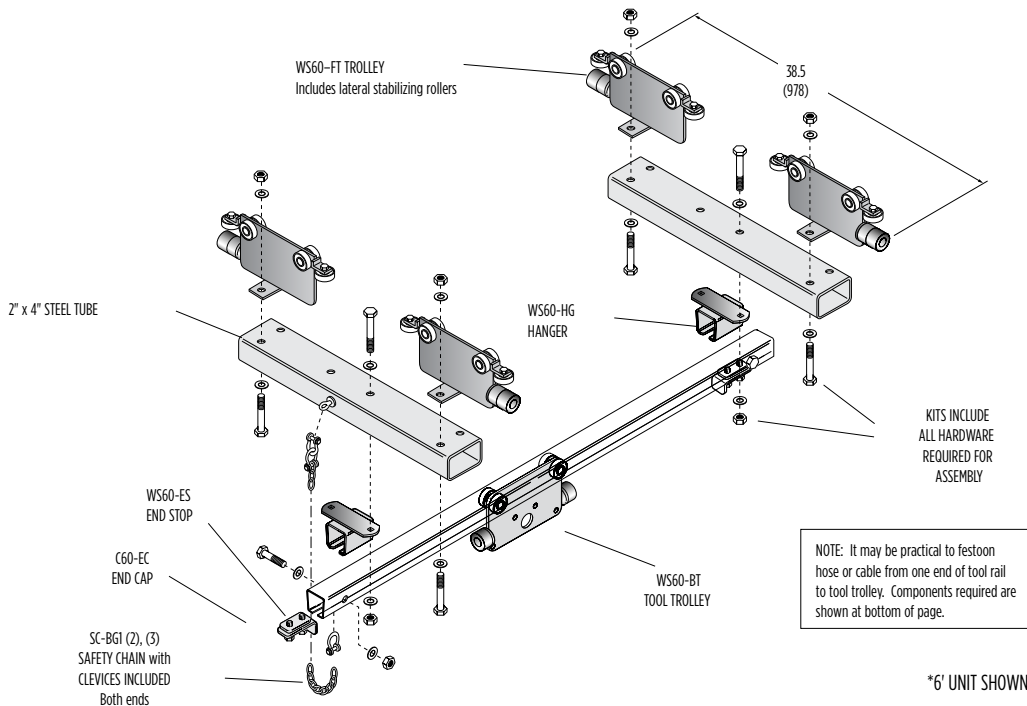
Support up to 250 lbs

Allow overhead handling of extra-capacity tools with maximum safety and minimum cost using this rugged bridge crane. Mount components to rugged **WS60** rails. Available in six- or 12-foot kits.



Tool Crane mounts in two **WS60** rails. Rails must be parallel and level to allow free travel and must be supported every 6' (1.9m). Recommended distance between support rails is the length of tool rail less 12" (305mm). Tool rail and reinforcing rail may be cut if shorter length required. Do not span more than 72" (1829mm) without reinforcing rail installed. **MAXIMUM RATED CAPACITY OF TOOL CRANE is 250 lbs (112.5 kg) including tool, balancer, and attachments. Unit depth is 37.875" (962mm) bumper-to-bumper.**

DESCRIPTION	MODEL NO.
250 lb. capacity O.H. Tool Crane 72"(1829mm) long tool rail Max. rail spacing 60"(1524mm)	WS60-ET06
250 lb. capacity O.H. Tool Crane 144"(3658mm) long tool rail Max. rail spacing 132"(3353mm)	WS60-ET12



ACCESSORIES

WS60-ES END STOP
Zinc plated steel.
USE: Installs in rail to stop trolley.

WS60-HG HANGER
Zinc plated steel.
USE: Hangs/supports WS60 track from over-head beams, joists, or other structures.

WS60-CP RAIL COUPLER
Zinc plated steel.
USE: Joins track sections.

WS60-BT ROLLING TROLLEY
Black polyster finish
USE: Supports tools, balance reels, torque reels, push button control stations.

SAFETY CHAIN
Strongly recommended, steel link chain prevents balancer or tool rail from accidental fall. Includes clevis both ends.

FESTOON COMPONENTS

WS60-HT01 (02, 03) FESTOON TROLLEY
Black polyster finish
USE: Supports cable or hose in festoon system.

WS60-EC01 (02, 03) END CLIP
Black polyster finish
USE: Secures cable or hose and acts as end stop in festoon system.

WS60 TRACK
Galvanized.
USE: Horizontal supports, rail for lateral movement of tools, controls, hoists, etc; up to 250 lbs. (113 kg) maximum total load.

C60-EC END CAP
Black molded vinyl.
USE: Caps off ends of rail for a finished look

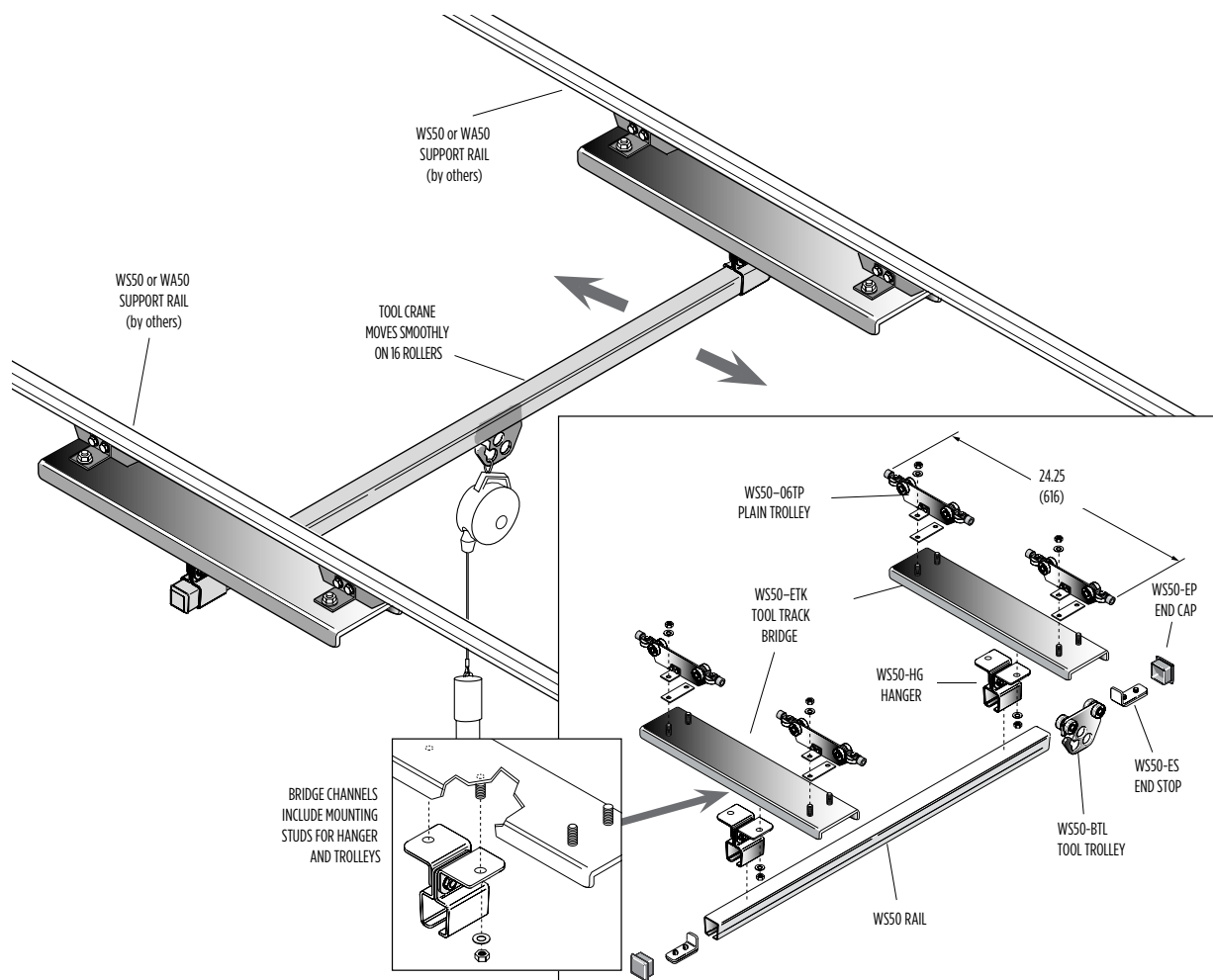
RAIL LENGTH ft. (m)	MODEL NO.
6.0 (1.8)	WS60-G06
12.0 (3.6)	WS60-G12
18.0 (5.4)	WS60-G18

LENGTH ft. (m)	MODEL NO.
1.0 (0.3)	SC-BG3
2.0 (0.6)	SC-BG3
3.0 (0.9)	SC-BG3

Solve problems with an Overhead Tool Crane

High safety, low cost

This rugged bridge crane allows overhead tool handling with maximum safety and minimum cost. Mount components to standard **WS-50** or **WA-50** rails. Available as complete kits to speed assembly.



Tool Crane mounts in two **WS50** rails. Rails must be parallel and level to allow free travel of crane. Recommended distance between support rails is length of tool rail less 12" (305mm). **MAXIMUM RATED CAPACITY OF TOOL CRANE** is 50 lbs (22.5 kg) including tool, balancer, and attachments. Unit depth is 24.25" (616mm) bumper-to-bumper.

Overhead Tool Crane includes (4) **WS50-06TP** plain trolleys, (2) **WS50-ETK** tool track bridges, (2) **WS50-HG** hanger brackets, (2) **WS50-EP** end caps, (2) **WS50-ES** end stops, (1) **WS50-BTL** Labyrinth tool trolley, (1) **WS50** tool rail (length per model) and all assembly hardware.

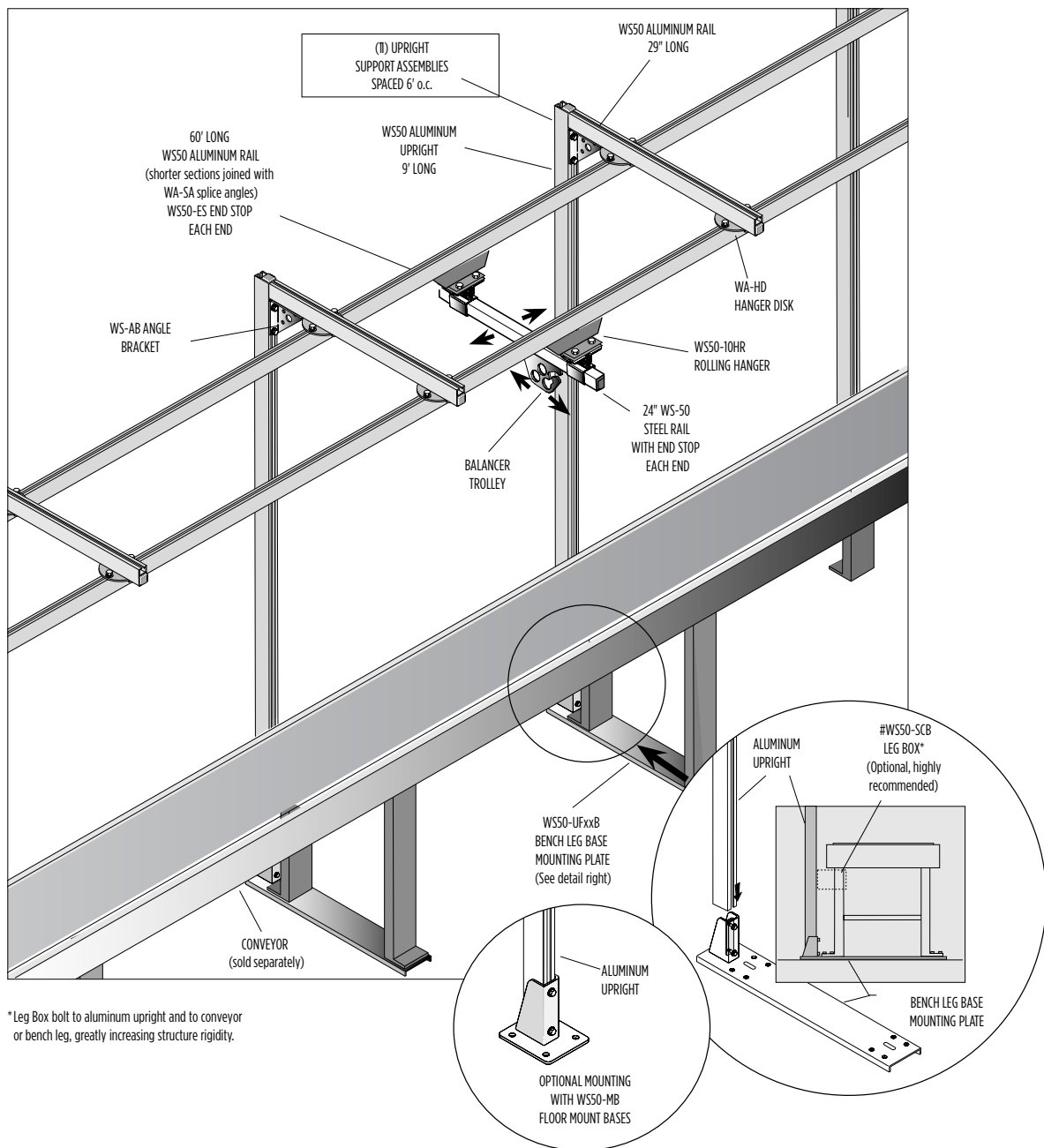
DESCRIPTION	MODEL NO.
O.H. Tool Crane, 48" long tool rail	WS50-ET04
O.H. Tool Crane, 60" long tool rail	WS50-ET05
O.H. Tool Crane, 72" long tool rail	WS50-ET06
O.H. Tool Crane, 108" long tool rail	WS50-ET09
O.H. Tool Crane, 144" long tool rail	WS50-ET12

NOTE: For best results, crane width should not exceed six (6) times trolley wheelbase. Example: 24"(2 ft.) x 6 = 12 ft.

Heavy-Duty Continuous Tool Rails

Provide 4-way adjustment

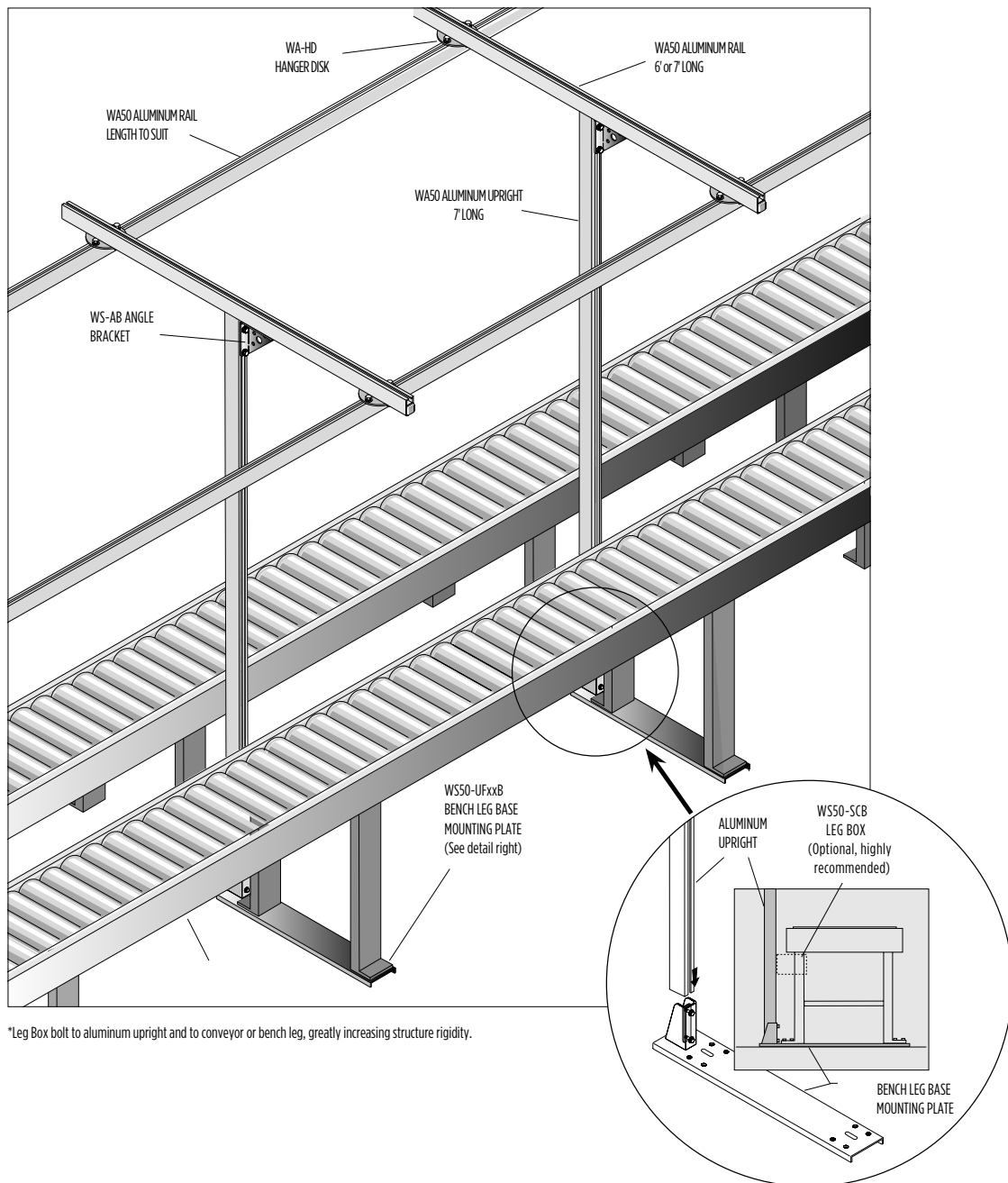
al tool rails run the entire length of 60' conveyor spanned by multiple 24" long rolling rails with balancer trolleys. Easily reach all areas of conveyor surface. Extruded Aluminum vertical supports fit perfectly into sleeves on the 30" or 36" bottom plates or **WS50-MB** mounting bases. Also recommended, for added stability, is the **WS50-SCB** Leg Box. You can also use a single 60' rail with numerous balancer trolleys.



*Leg Box bolt to aluminum upright and to conveyor or bench leg, greatly increasing structure rigidity.

Use Aluminum Track for Heavy-Duty Continuous Tool Rail

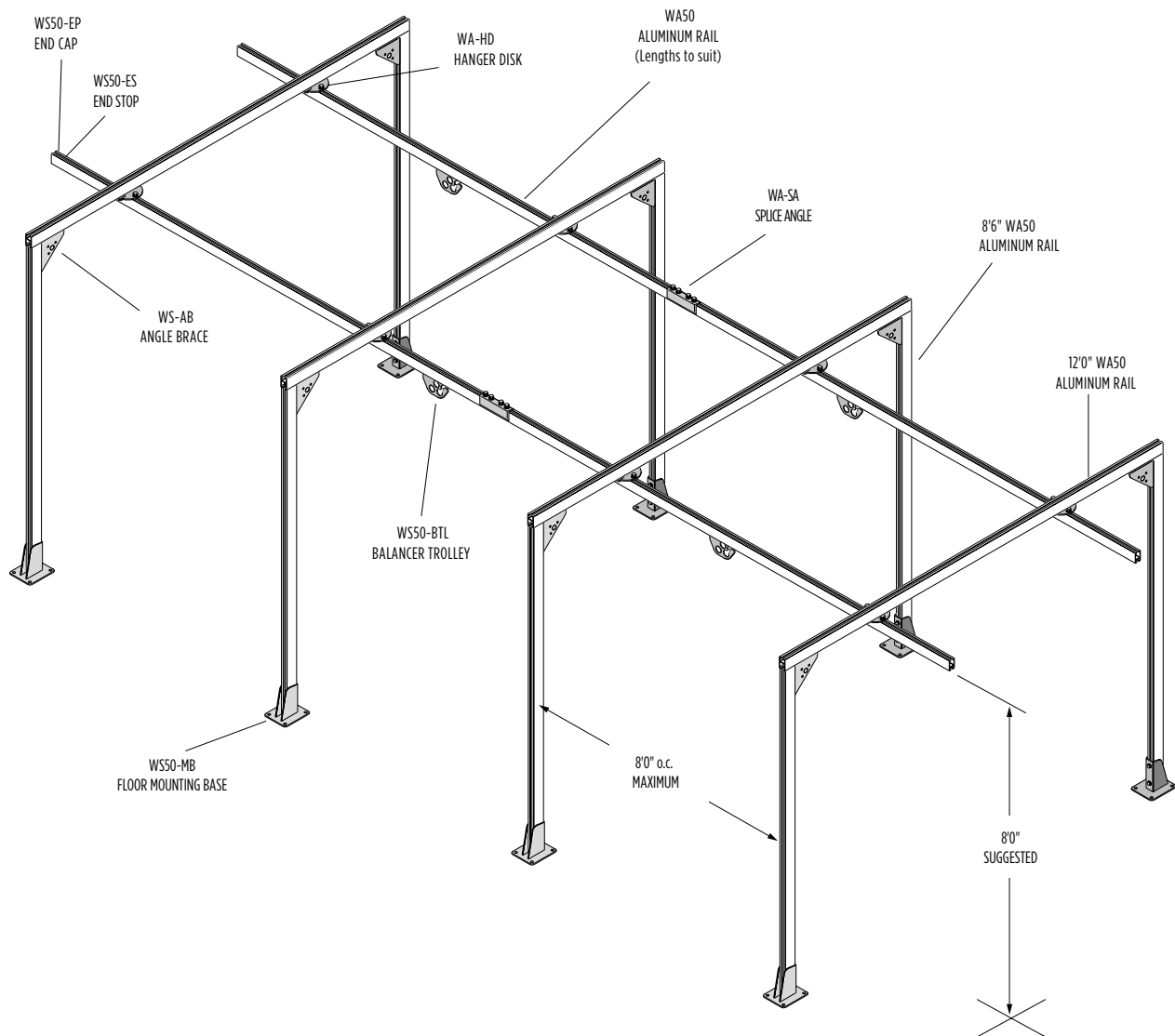
While Extruded Aluminum Track will not fit into the “coupler” on the top of **WS50-UFxx** Bench Leg Bases, it fits perfectly into the sleeve on the bottom plate (as it does on all other mounting bases). Bottom plates, both 30” and 36”, are available separately. Order model **WS50-UF30B** (30”) or **WS50-UF36B** (36”). Also available separately is the **WS50-SCB** Leg Box.



Build a Twin-Rail Assembly Line Workstation

Any length, aluminum rail makes it versatile

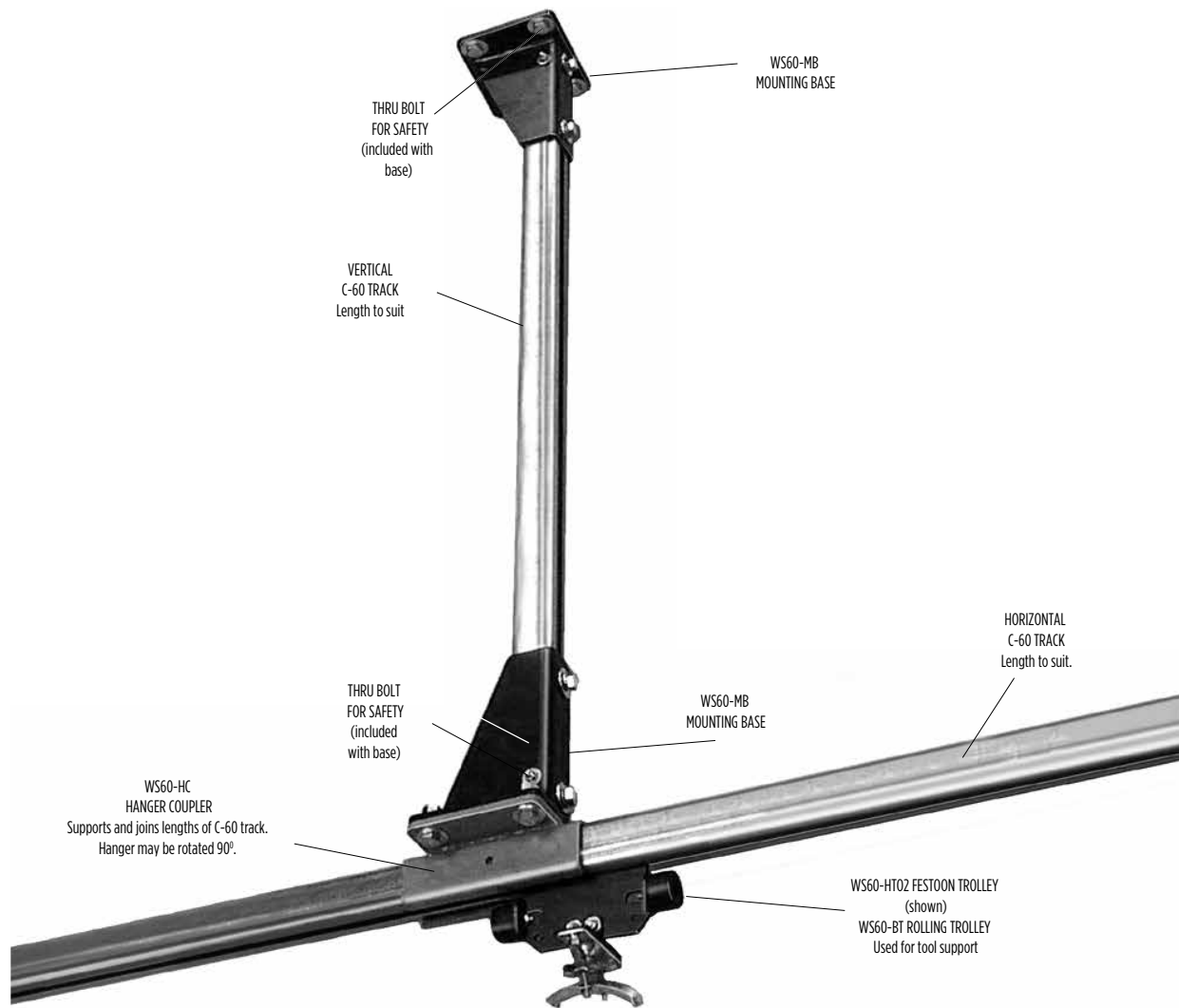
This setup allows an infinite number of variations. Be sure to stay within the following size and capacity parameters: Maximum 10' wide and 8' (6' is ideal) between uprights, 50 lbs. maximum per trolley and no more than one trolley per upright. Design the structure to be as long as needed. Aluminum rail is available in 20' lengths, but make sure splice angles don't interfere with hanger disks.



Heavy-Duty Tool Rail Hanger

250 lb capacity handles even the heaviest tools

Thru bolts both top and bottom (see photo) act as a safety net. Thru bolts are included with the mounting bases. These components are not sold as a kit because the galvanized C-60 Track, both vertical and horizontal, can vary greatly in length. Track must be supported every six feet to preserve 250 lb. capacity rating.



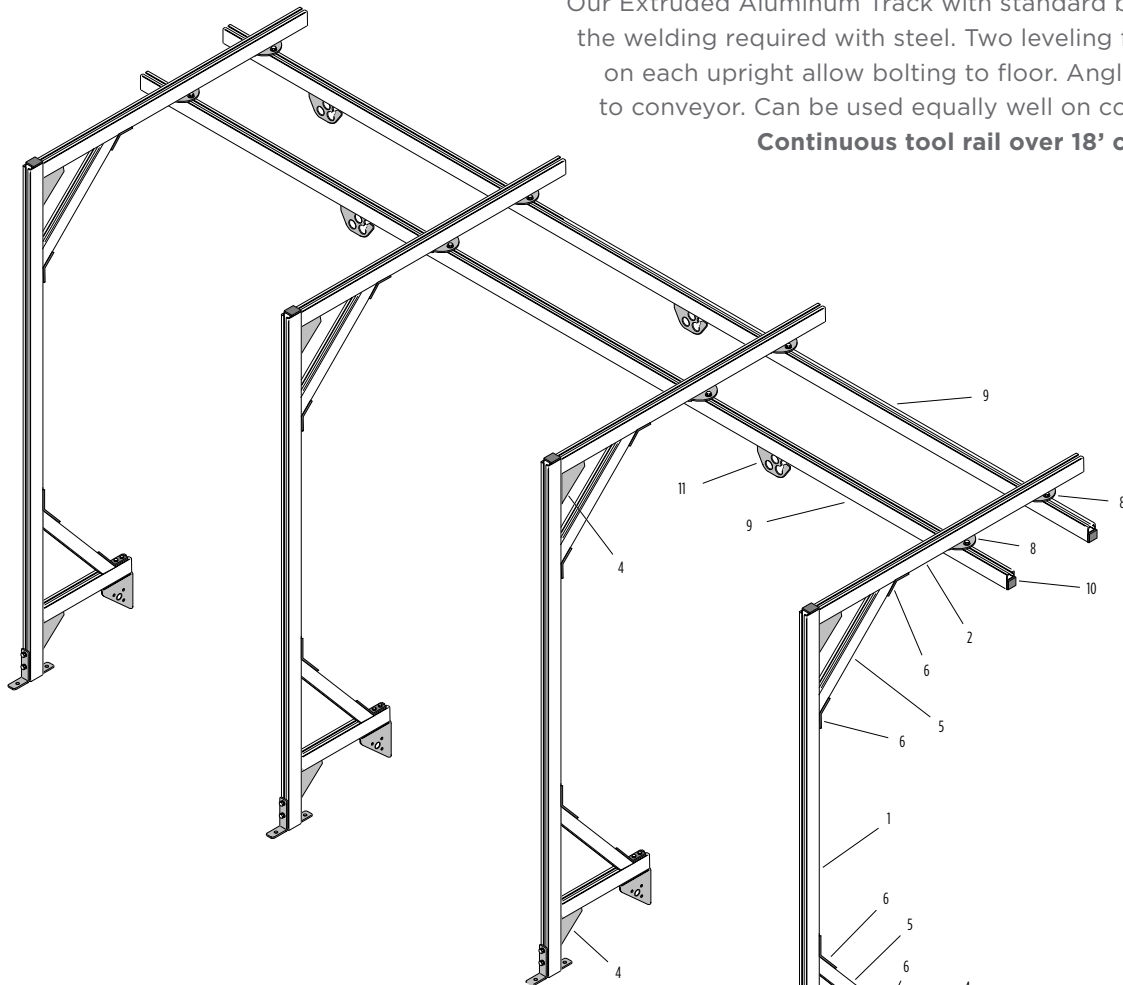
DESCRIPTION	MODEL NO.
Mounting Base for C-60 Track	WS60-MB
C-60 Hanger Coupler	WS60-HC
Hardware Kit*	WS60-HW

*Hardware Kit includes (4) 1/2 x 1 1/2 bolts, nuts, lock washers and flat washers required to attach hanger coupler to mounting base.

No Welding? Minimal Cutting?

Aluminum track to the rescue!

Our Extruded Aluminum Track with standard brackets eliminates the welding required with steel. Two leveling feet (turned “out”) on each upright allow bolting to floor. Angle bracket attaches to conveyor. Can be used equally well on continuous benches.
Continuous tool rail over 18’ conveyor required.



REMOVE THIS TRACK NUT AND BOLT ANGLE BRACKET TO CONVEYOR SUPPORT

TURN TWO LEVELER FEET OUTWARDS AND BOLT TO FLOOR

ITEM	QTY.	DESCRIPTION	MODEL NO.
1	4	RAIL-9' (CUT FROM 20' RAIL)	WA50-N240
2	4	R RAIL-6'	WA50-N072
3	4	RAIL-23" (CUT TO LENGTH)	WA50-N029
4	12	ANGLE BRACKET	WS-AB
5	8	4 5° ANGLE BRACE	WA50-NB17
6	16	ANGLE BRACE BRACKET	WA-AB
7	8	LEVELER FOOT	WA-LF
8	8	HANGER DISK	WA-HD
9	2	RAIL-18' (CUT TO LENGTH)	WA50-N240
10	12	END CAP	WS50-EP
11	A/R	BALANCER TROLLEY	WS50-BTL
N/S	4	END STOP	WS50-ES

Beam Clamps let you mount Tool Rails to I-Beams

No drilling or welding required

Now you can quickly and accurately hang and align **WS50** tool rails beneath or beside beams. **WS50-BCH** Beam Clamp Hanger Bracket or separate **WS-BC** Beam Clamp (with track nut) require no drilling or welding. Hanger Brackets attach to beam flanges from 2.625" to 5.25" wide. Beam Clamps affix **WS50** support arms to top flange (Figure 3) or **WA50** aluminum track to bottom flange perpendicular to or at an angle to beam (Figure 2). All components are zinc plated.

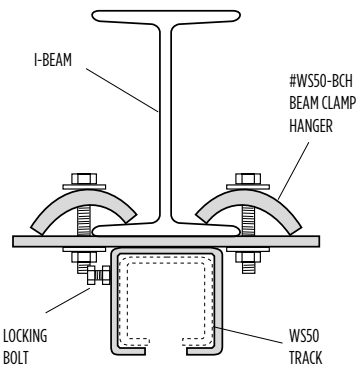
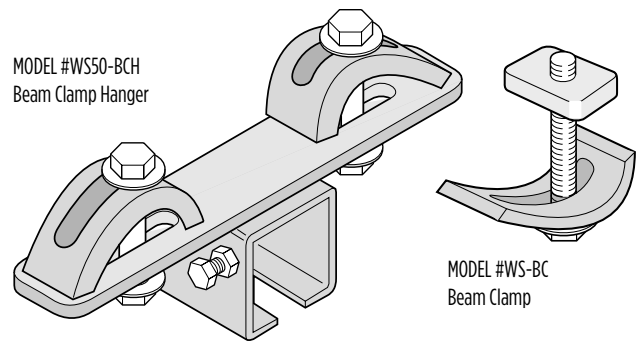


Figure 1
TOOL RAIL BENEATH I-BEAM,
PARALLEL TO BEAM

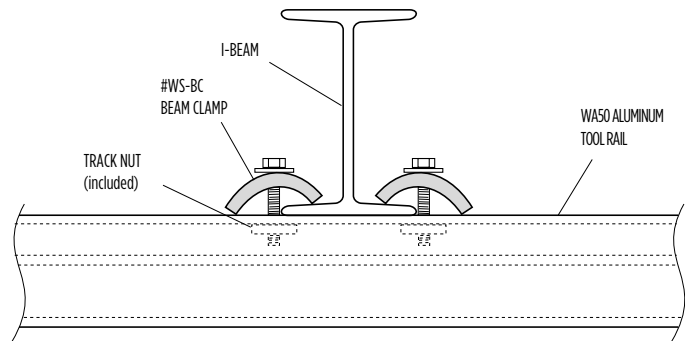


Figure 2
ALUMINUM TOOL RAIL BENEATH I-BEAM,
PERPENDICULAR (BEAM-TO-BEAM)

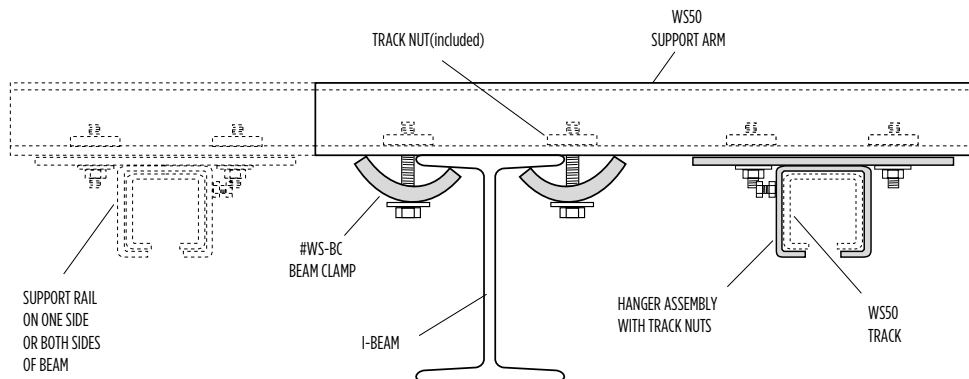
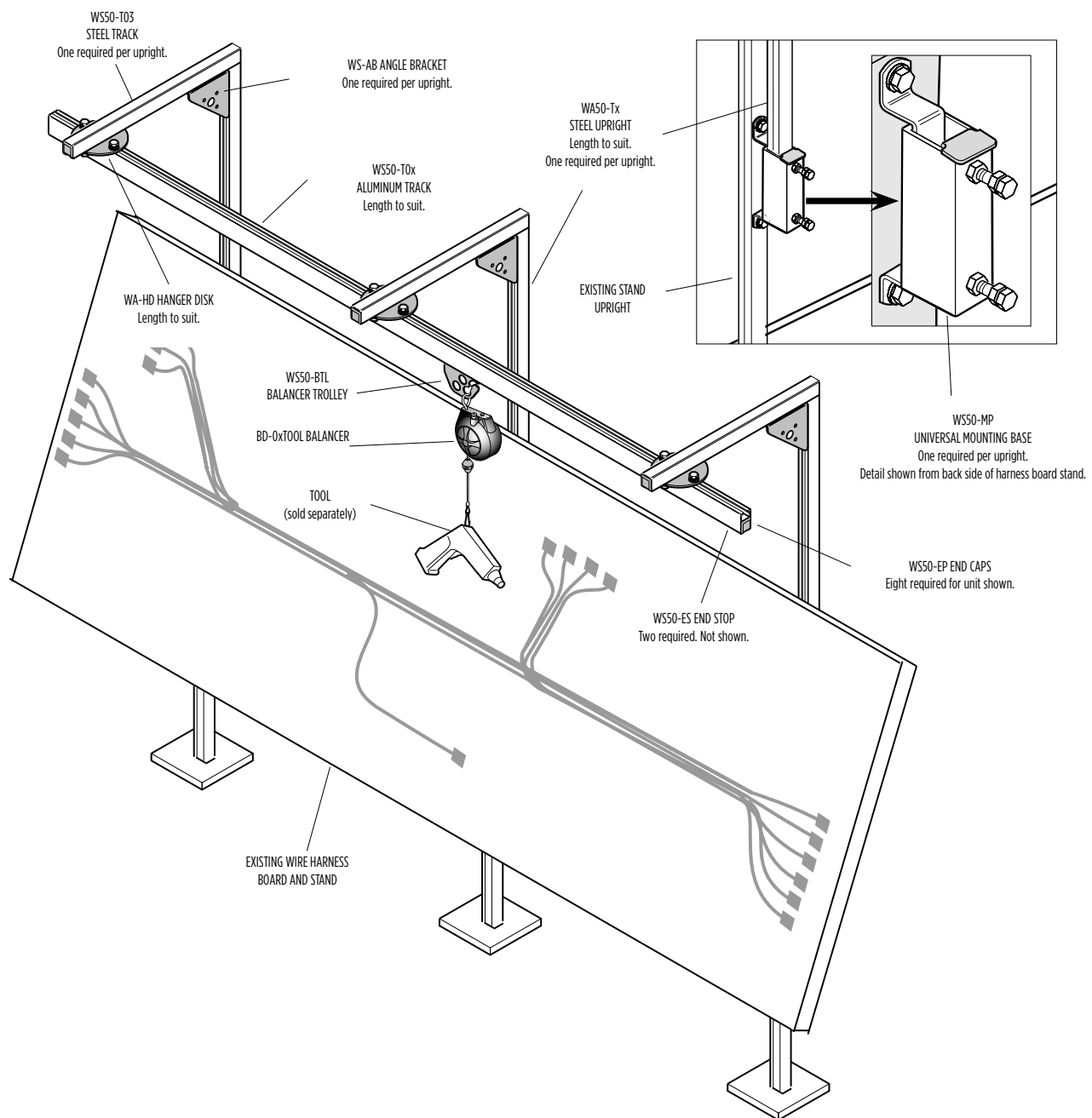


Figure 3
TOOL RAIL BESIDE I-BEAM, ONE OR BOTH SIDES

Tool Rail above Wire Harness Board

Keep tools for assembling wire harnesses within easy reach

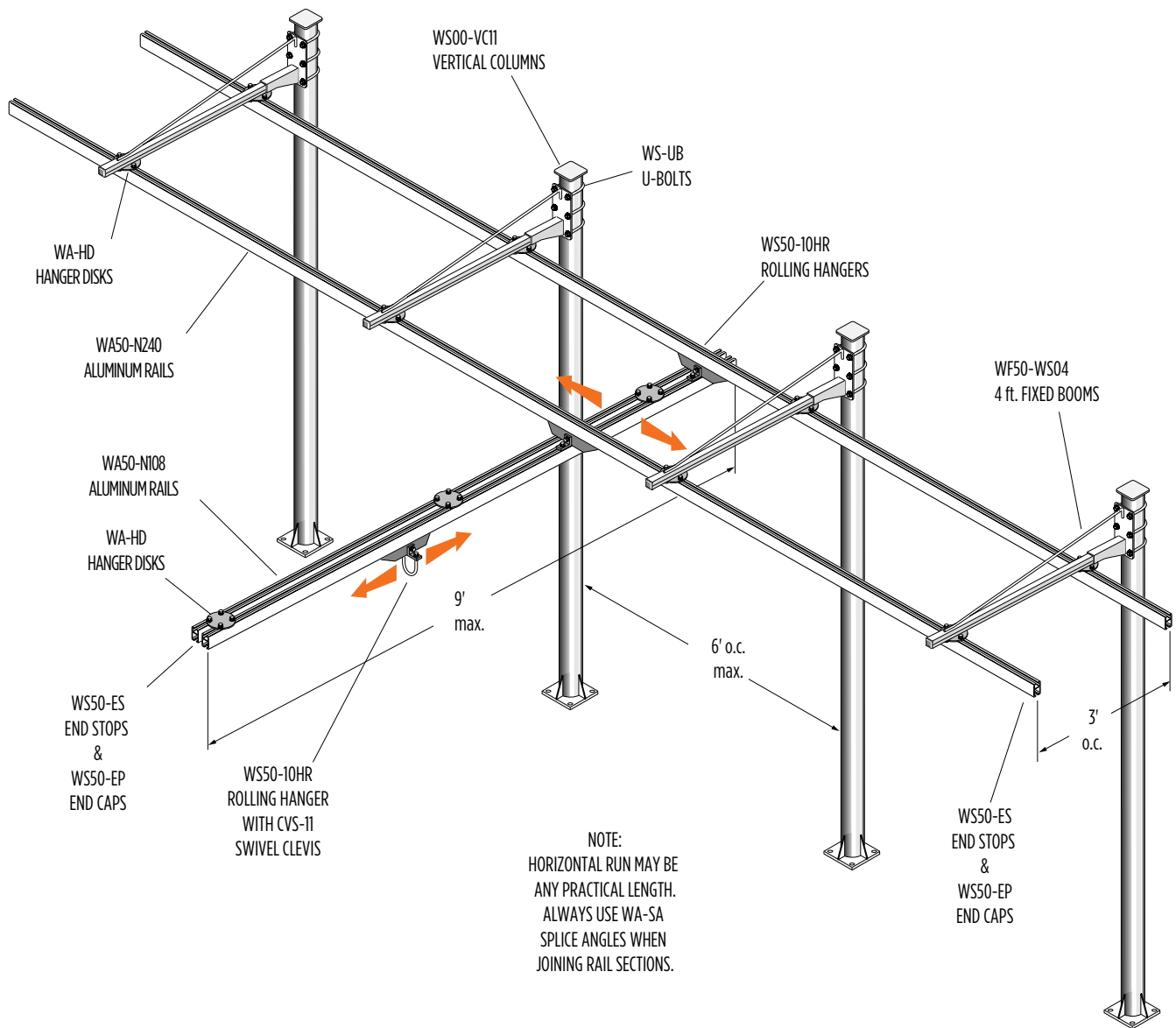
Don't just lay tools on five gallon pails. Use an aluminum tool rail (or steel with traditional hanger brackets) hung from **WS50** supports. Fasten support structures to back of board by **WS50-MP** Universal Bases bolted to existing stand uprights.



Create a Workstation with a Traveling Boom

Add reach & flexibility

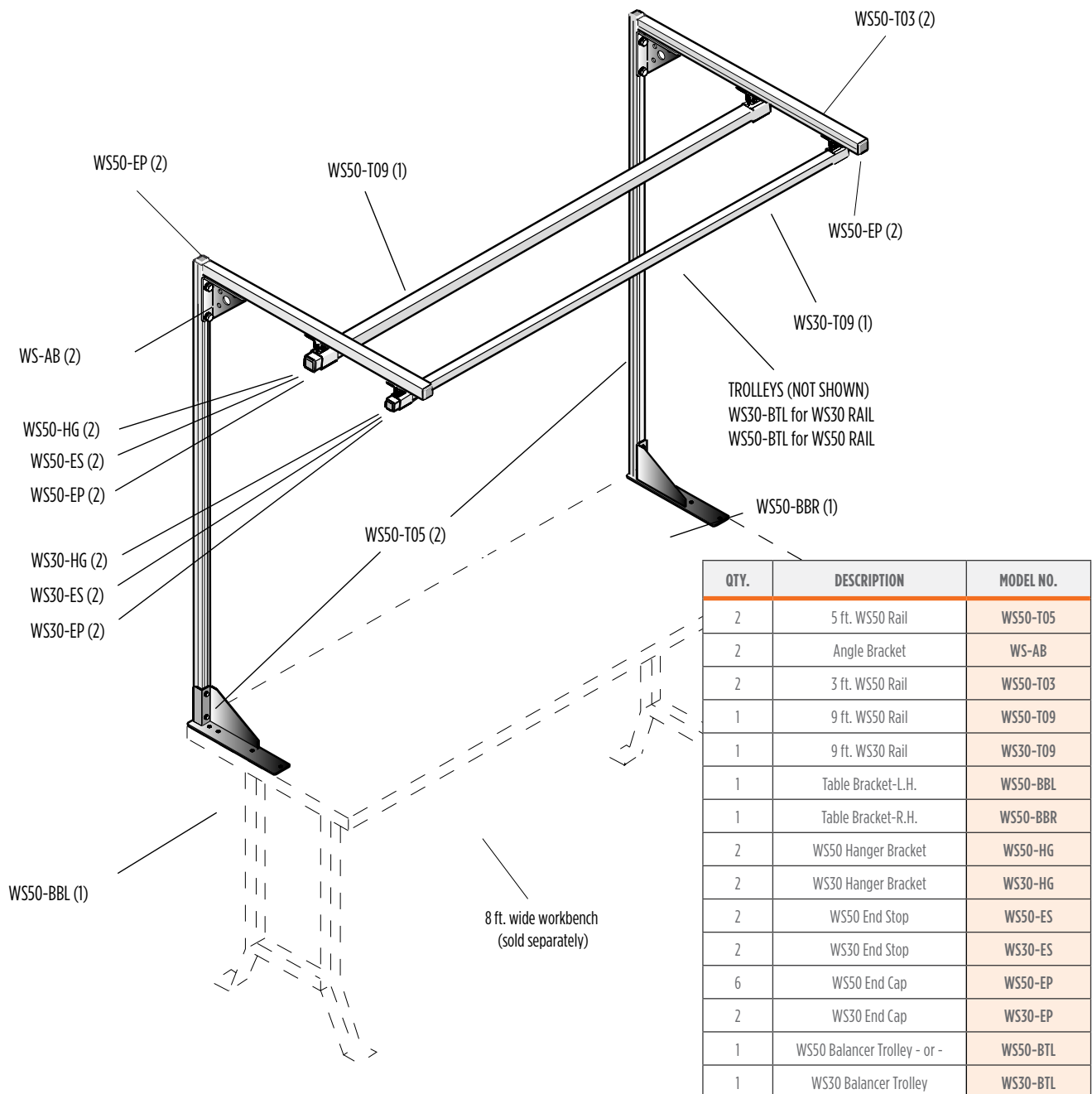
Easily move a 30 lb. tool to any spot on a 40 ft. assembly line, including in or out 8+ ft. Use two aluminum rails hung beneath fixed jibs mounted on 11 ft. columns. Insert **WS50-10HR** rolling hangers with side guide rollers into the rails. Then, hang two 9 ft. aluminum rails from the trolleys and a third **WS50-10HR** trolley with **CVS-11** swivel clevis in one of the rails.



No Kit That Fits? Make One!

Here's how to do it

Workstation kits in the catalog stop at 6' width. But you don't have to stop there. When your customer has benches wider than 6', put together your own design using components from our catalog. Shown here are the components used to assemble a workstation for use on an 8' to 9' wide bench. A similar procedure would be used for other bench sizes.



Make Blind Riveting Easier

With **TORQ-ARM™**

- ✓ Tool easily connected
- ✓ No tool dropping
- ✓ Tool kept vertical
- ✓ Hoses stay aligned
- ✓ Mandrel discharge reliable

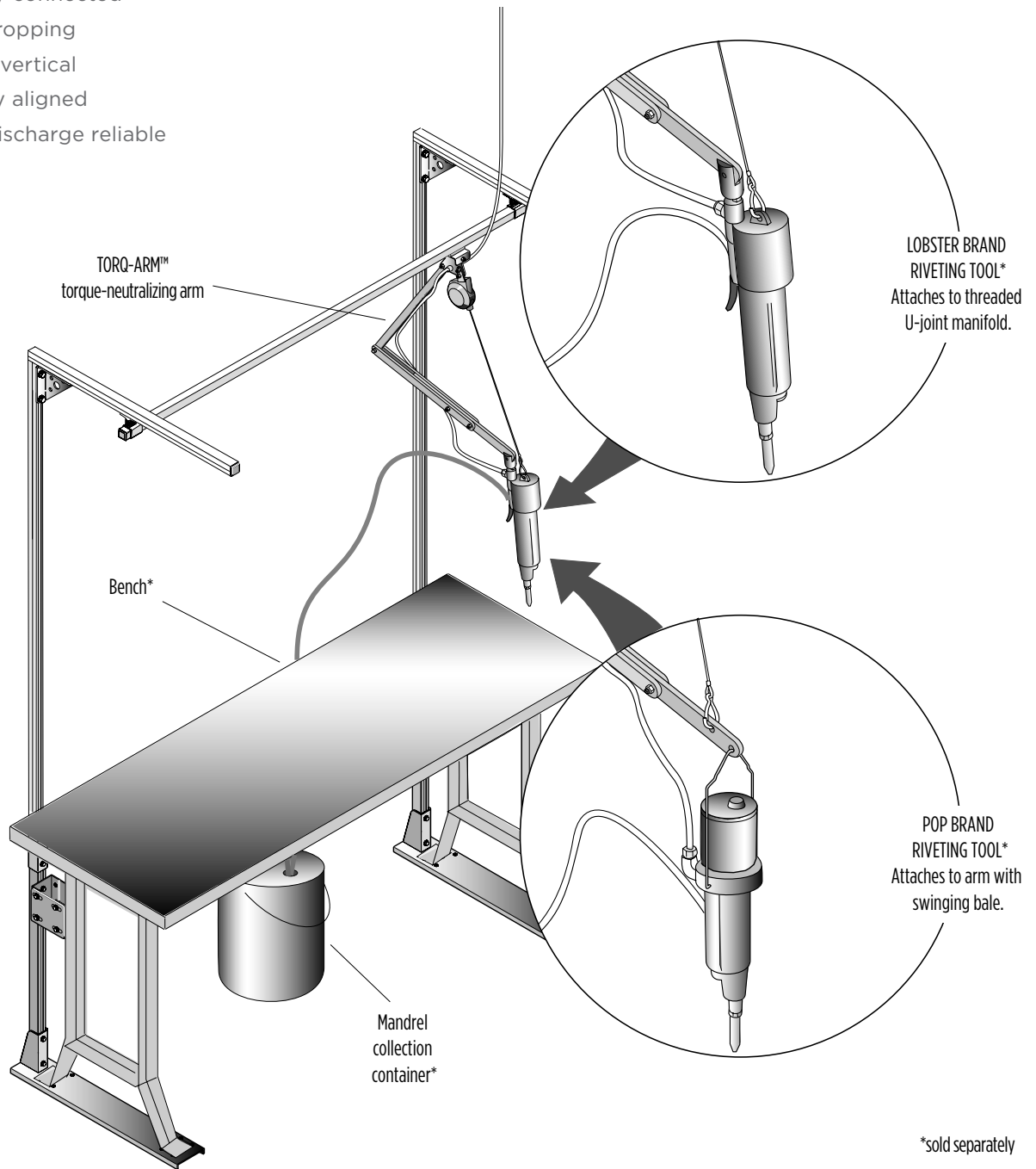
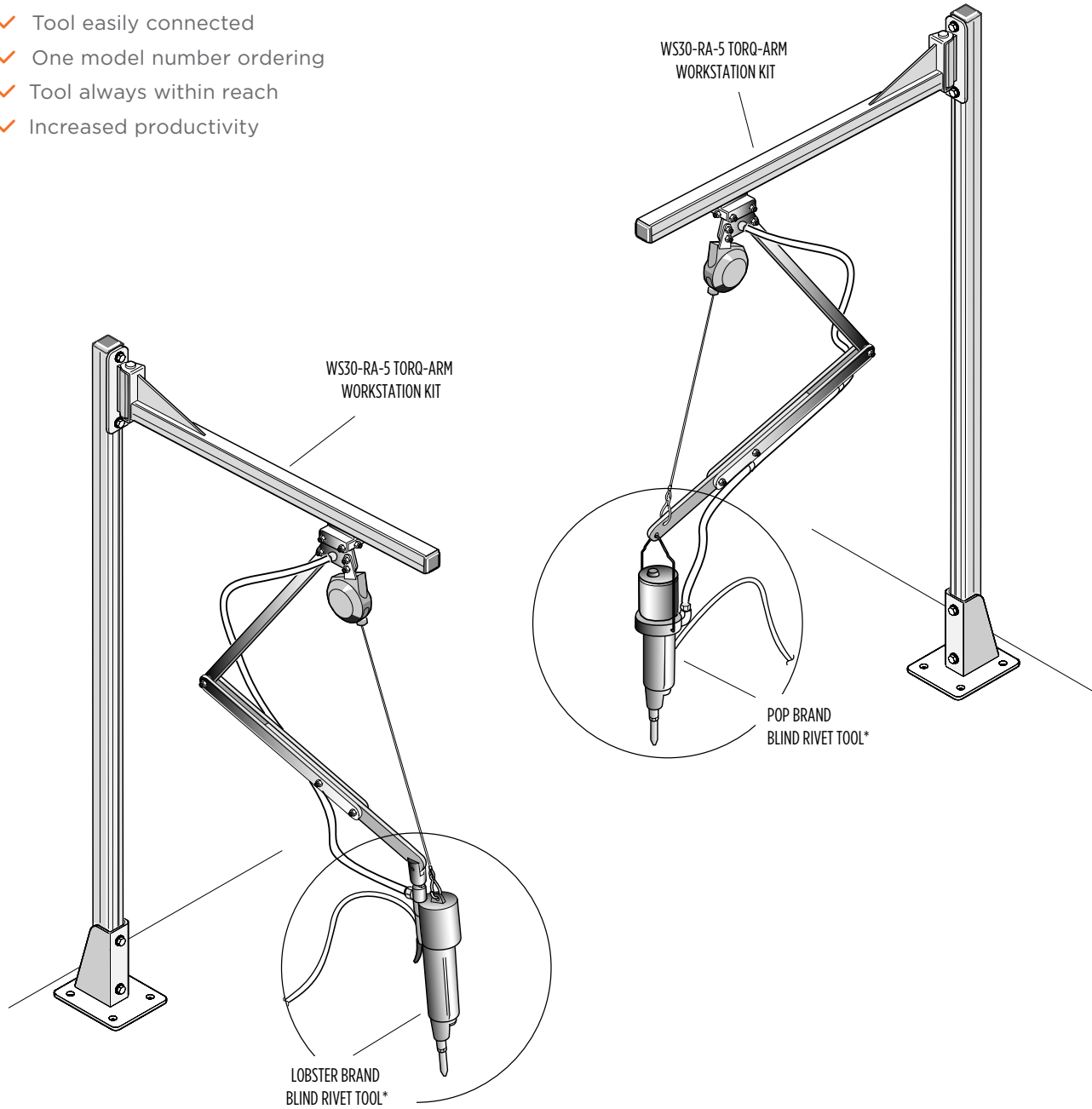


Illustration shows how two popular brands of blind rivet tools with a **TORQ-ARM™** can improve the work area. See our ToolAssistPro catalog for details on Workstation Kits and Components.

Rivet Tool & TORQ-ARM™ Workstation Kit

A winning combination

- ✓ Highly versatile tool platform
- ✓ Tool easily connected
- ✓ One model number ordering
- ✓ Tool always within reach
- ✓ Increased productivity

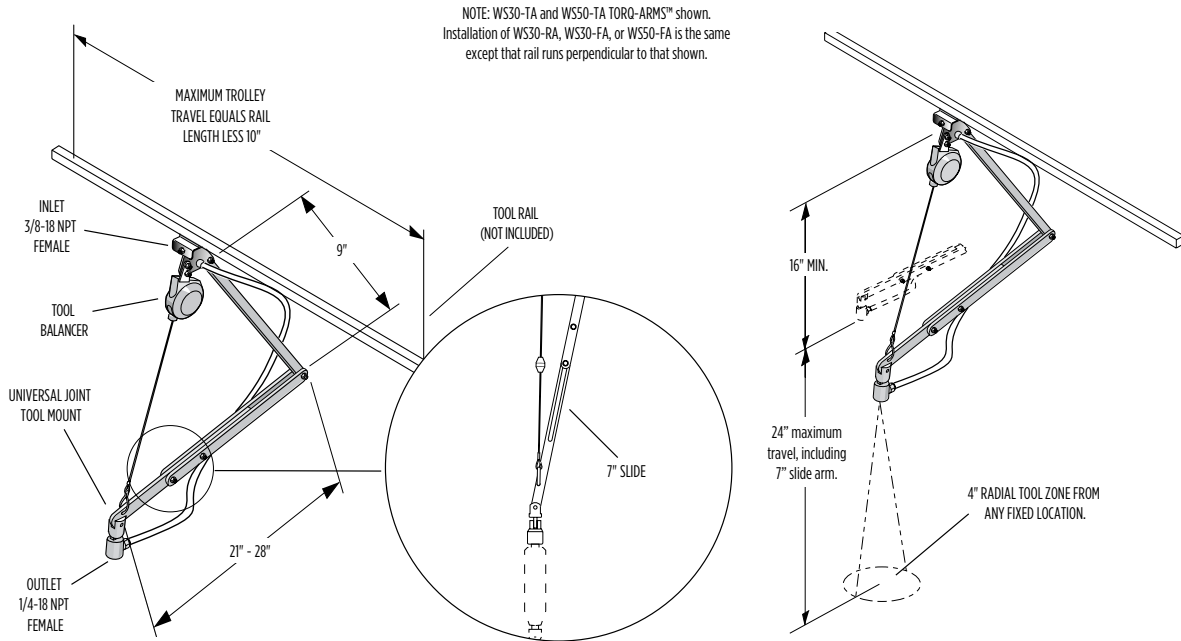


*sold separately

Economy and ease of installation plus the versatility of a **TORQ-ARM™** Workstation Kit add up to winning performance in blind rivet assembly applications. Be sure to order model with 2.0 - 5.0 pound capacity. Lobster brand attaches with no modifications to TORQ-ARM. Simply remove the U-joint manifold to install the POP brand.

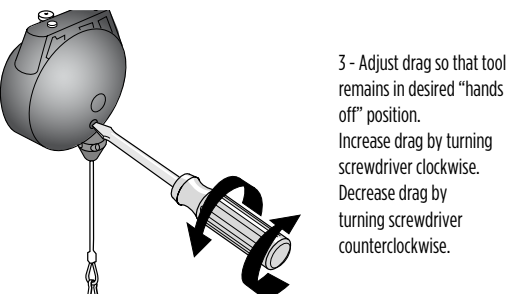
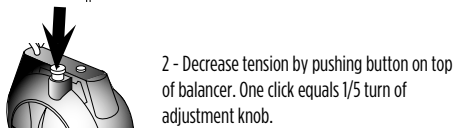
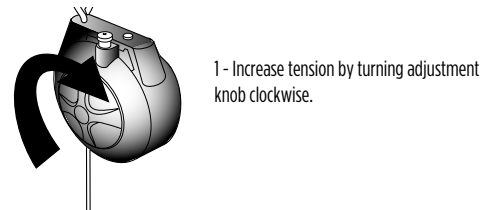
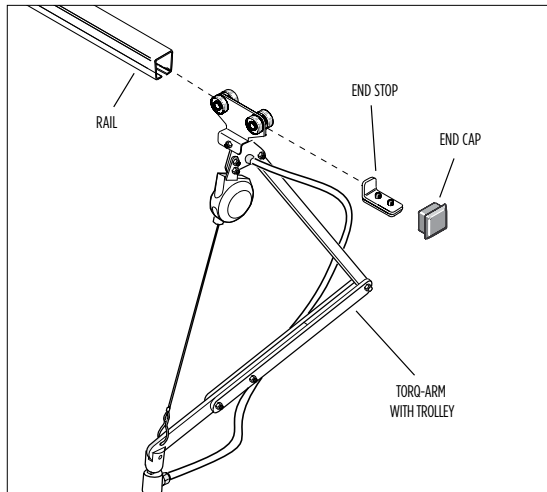
TORQ-ARM™ For Trolley Mounting

Installation & adjustment



INSTALLATION:

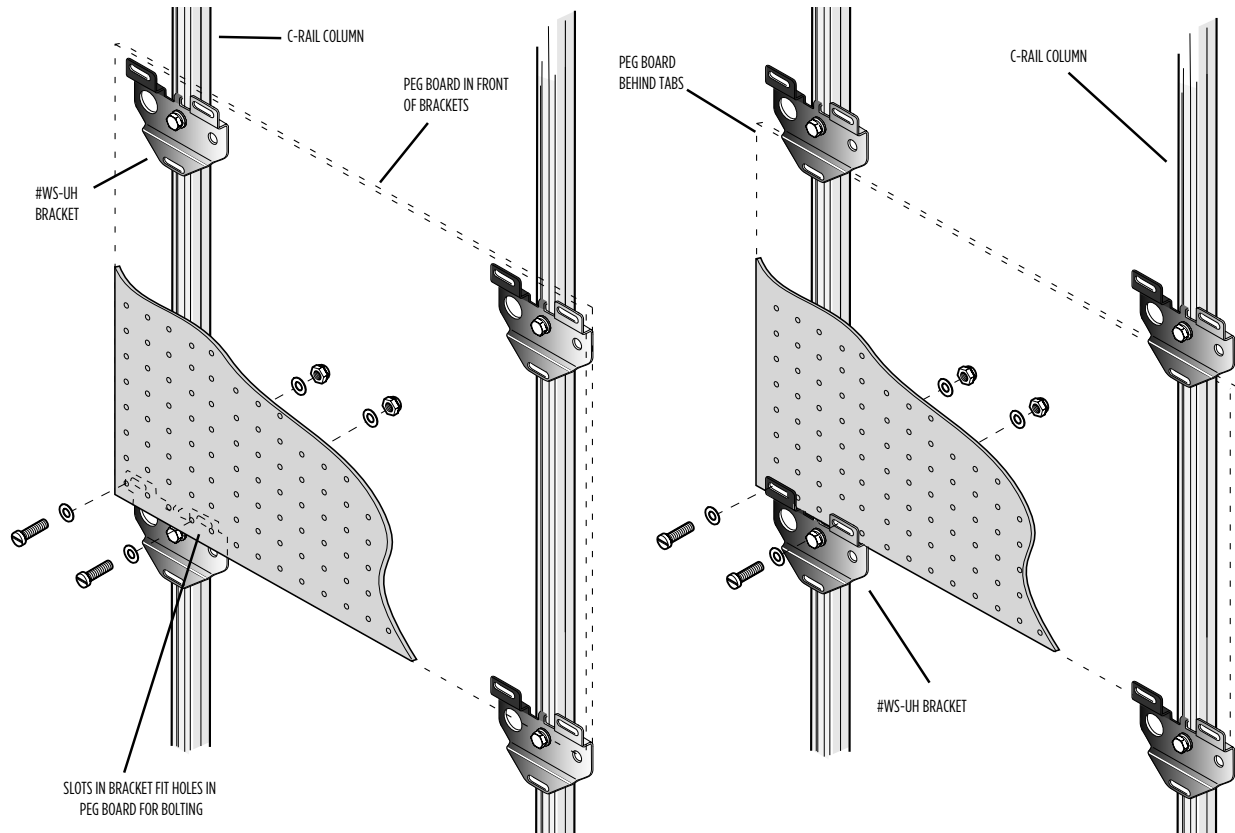
- 1 - Slide trolley into rail. NOTE: WS30-xx TORQ-ARMS go into WS30 rails. WS50-xx TORQ-ARMS go into WS50 rails.
- 2 - Install end stop and end cap into rail. Securely tighten bolts clamping end stop to rail. **WARNING:** Improperly tightened end stop bolts could result in damage to equipment or personal injury.
- 3 - Install tool onto TORQ-ARM and connect air line.
- 4 - Adjust tool balancer for desired action.



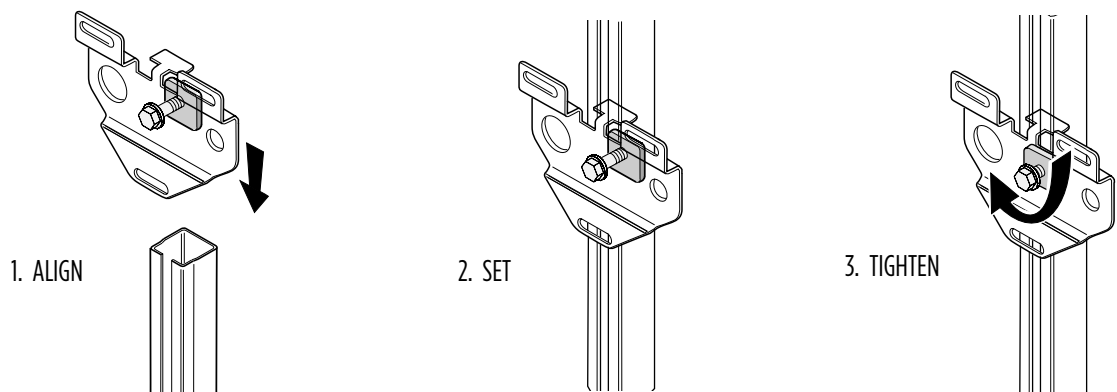
Attach Pegboard to Workstations

Two simple ways

WS-UH Universal Brackets were designed with peg board in mind. Peg board may be bolted to front of brackets (below, left) or behind tabs (below right). Either way, slots in brackets fit holes in peg board.



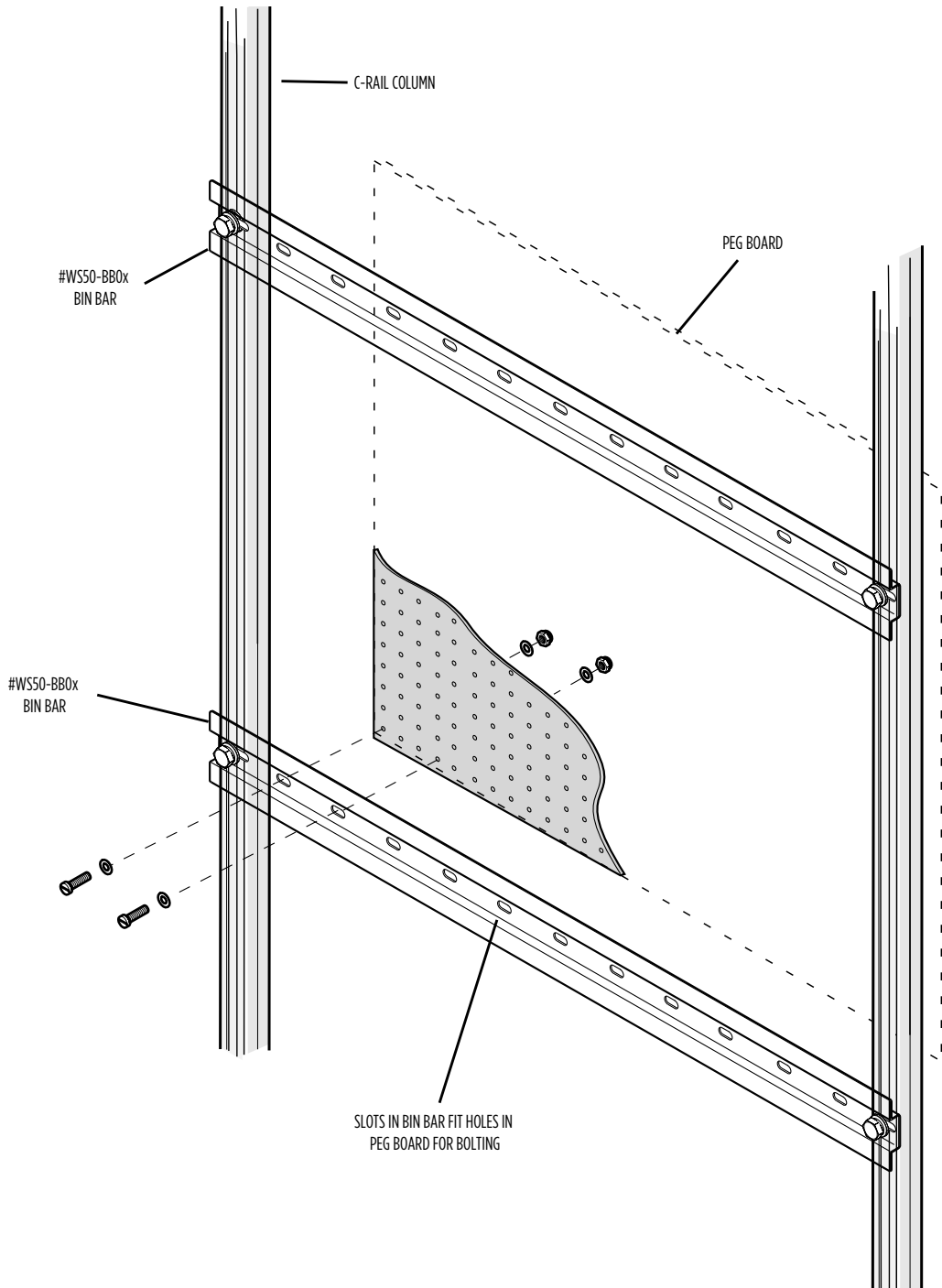
ATTACHING BRACKETS TO COLUMNS



Alternate Pegboard / Workstation Attachment

Add stiffness for wider workstations

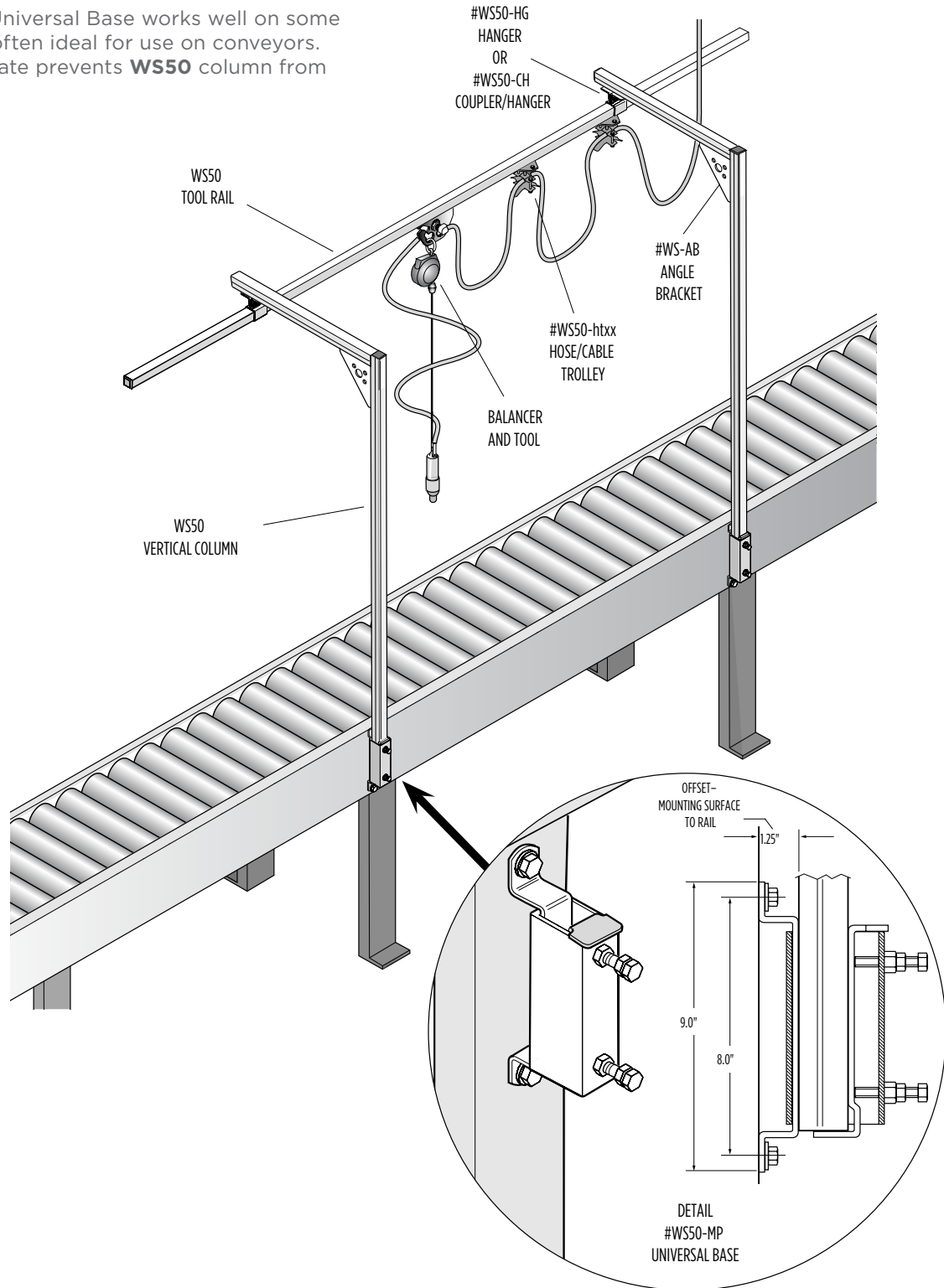
For added stiffness on wider workstations, use **WS50-BB0x** Bin Bars top and bottom. Peg board is bolted to back. Four inch on center slots in bin bars fit holes in peg board. Use flat washers both sides.



Universal Base “Pocket” Workstation Mount

Mount an overhead tool station wherever you need it

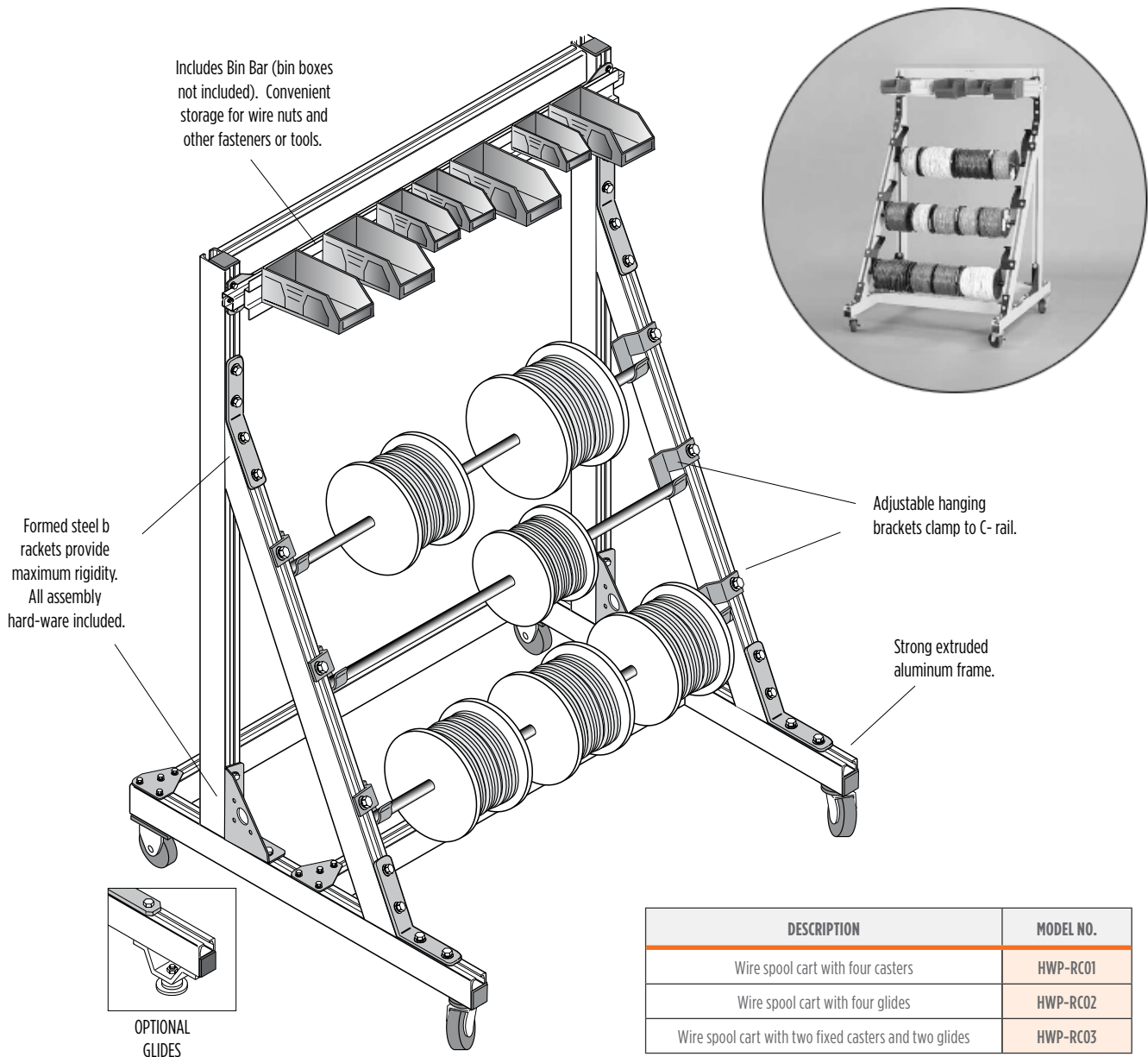
The **WS50-MP** Universal Base works well on some benches and is often ideal for use on conveyors. Unique clamp plate prevents **WS50** column from sliding through.



Solve wiring logistics issues

With Mobile Wire Spool Cart

Here's your answer to production or maintenance wiring jobs. Roll the wire to the job, unspool what you need, and return the cart to a convenient storage place. Made of strong but light **WA50** aluminum rail with formed steel brackets, the cart measures 54" high, 36" deep and 33.6" wide. There is a 27" clear space between spool shaft brackets, which are fully adjustable. The cart is available with four heavy-duty casters (two fixed and two swivel with locks), two fixed casters and two glides or, for semi-permanent installation, with four glides. Swivel casters may be installed at either front or back. All components, except hardware, finished with chip-resistant baked polyester coating. **Maximum capacity: 300 lbs.**

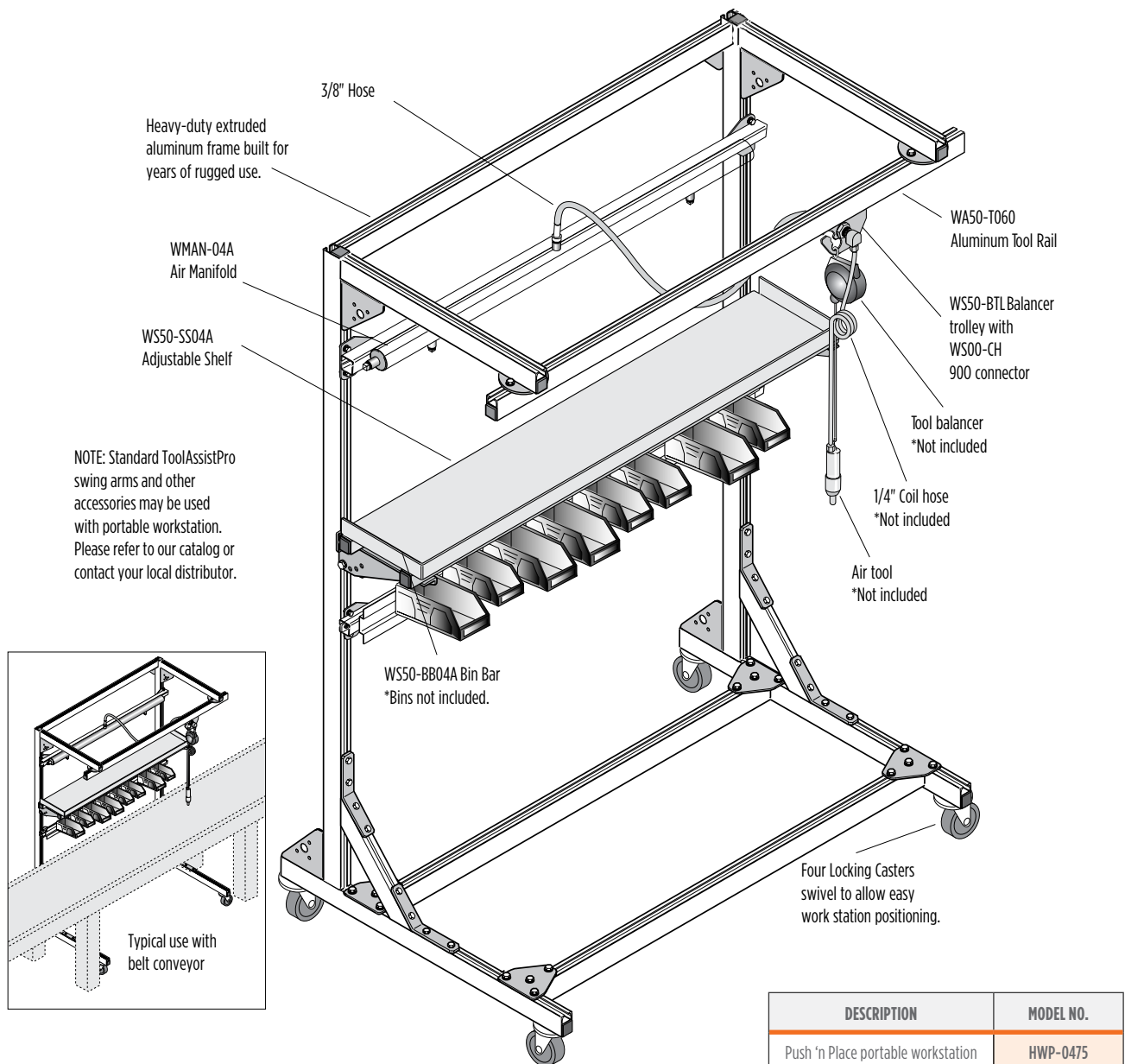


DESCRIPTION	MODEL NO.
Wire spool cart with four casters	HWP-RC01
Wire spool cart with four glides	HWP-RC02
Wire spool cart with two fixed casters and two glides	HWP-RC03

Put a workstation wherever you need it!

With Push 'n Place™ Workstation

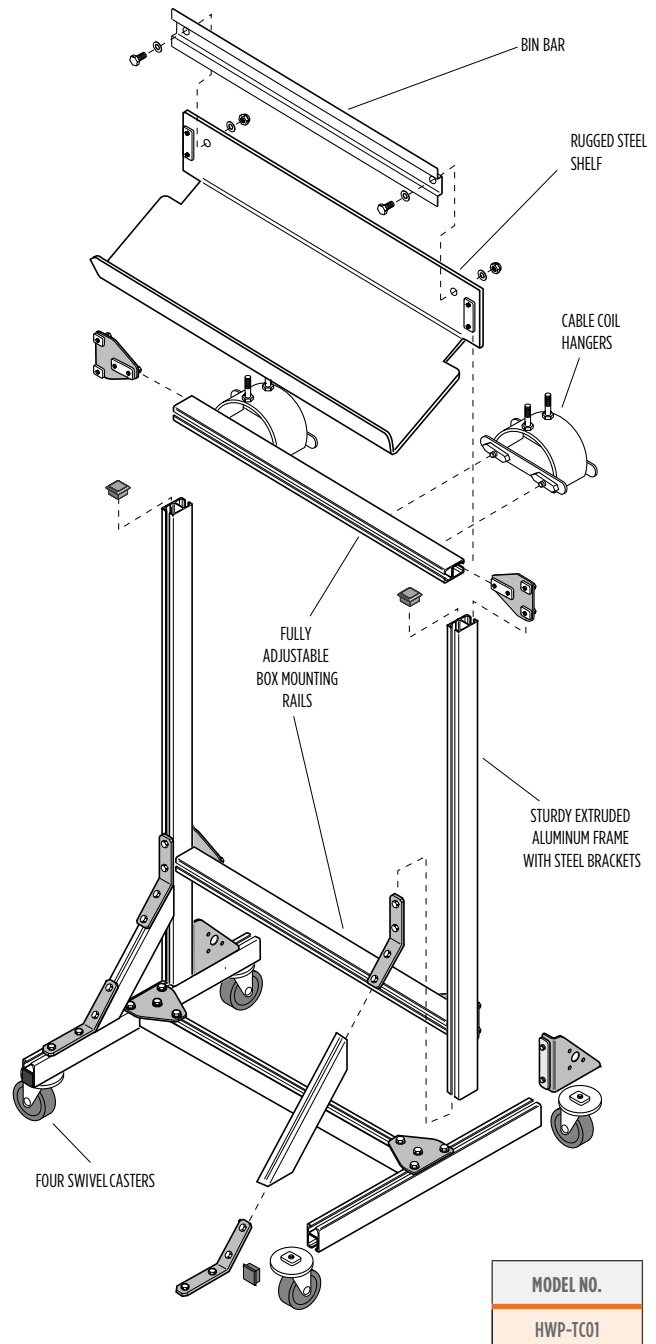
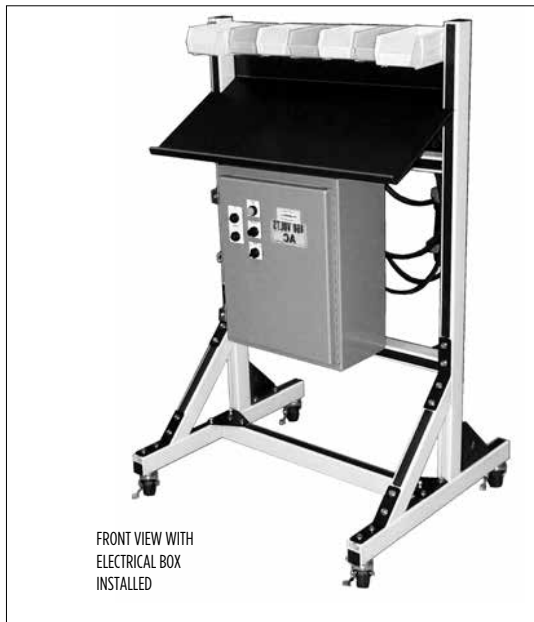
Maintain flexibility on the plant floor without sacrificing safety and productivity. Our **Push 'n Place™** portable workstation moves to where the action is. It rolls easily on four heavy-duty locking, swivel casters. Constructed of light but strong extruded aluminum rail, it measures 36" deep and 90" high, including casters. Frame is 44" wide o.c., perfect for under a 5' conveyor section, while the tool bar is 60" long and can be fitted with splice angles to adjoin two or more units. Bin Bar, air manifold and balancer trolley with fitting plus 3/8" hose are standard. Frame is finished with beige baked polyester. Brackets are matte black.



Test Bed Cart

Mount electrical box and other test equipment, then roll away with ease

Bar holds box bins for miscellaneous storage. Frame is strong extruded aluminum with beige baked polyester finish. All joining brackets are heavy steel with matte black polyester. Includes four locking, swivel casters and all assembly hardware. Bin boxes, electrical box and cables not included. Some assembly required.



PLACE 'n PICK™ Shelf Cart

Now available in a variety of widths & depths

Do you ever need five or six foot wide* shelves on a mobile unit? Or 18" deep shelves? Maybe two shelves and a bin bar, or six bin bars, three on each side? Add a power bar for electrical power or a manifold for air? Now you can construct a mobile shelf cart to your exact requirements. Pick either the complete kit (**HWP-SCxx**) which includes three 12" x 30", 42", 54", or 66" shelves, aluminum frame, cover strip for the slots, four swivel casters, and all hardware. Or choose the size frame that will fit your needs and equip it with either 12" or 18" deep shelves and any of numerous workstation accessories. The basic frames, available in 3', 4', 5' and 6' widths*, are constructed of sturdy aluminum with heavy steel brackets. All assembly hardware is included. Order shelves to fit cart width, either 12" or 18" deep. Other standard accessories such as bin bars, power bars, and manifolds are easily added to the frame. Cover strip is not included with frame kits but may be ordered separately. Bin boxes are not included. Below is a list of most components, including prices.

***NOTE:** Nominal dimensions. Actual shelf width between uprights is 6" less than nominal overall cart width; i.e., 6' wide unit has 66" wide shelves.

KIT & COMPONENT LISTING
DESCRIPTION, MODEL NO.

Complete Cart Kit-(3) 12"D x 30"W Shelves included	HWP-SC30
Complete Cart Kit-(3) 12"D x 42"W Shelves included	HWP-SC42
Complete Cart Kit-(3) 12"D x 54"W Shelves included	HWP-SC54
Complete Cart Kit-(3) 12"D x 66"W Shelves included	HWP-SC66
Frame Kit-For 30" Wide Shelves	HWP-SC03
Frame Kit-For 42" Wide Shelves	HWP-SC04
Frame Kit-For 54" Wide Shelves	HWP-SC05
Frame Kit-For 66" Wide Shelves	HWP-SC06
Shelf-12"D x 30"W	WS50-SS03
Shelf-12"D x 42"W	WS50-SS04
Shelf-12"D x 54"W	WS50-SS05
Shelf-12"D x 66"W	WS50-SS06
Shelf-18"D x 30"W	WS50-SS183
Shelf-18"D x 42"W	WS50-SS184
Shelf-18"D x 54"W	WS50-SS185
Shelf-18"D x 66"W	WS50-SS186
Bin Bar-36" (Fits 30"W Frame Kit)	WS50-BB03A
Bin Bar-48" (Fits 42"W Frame Kit)	WS50-BB04A
Bin Bar-60" (Fits 54"W Frame Kit)	WS50-BB05A
Bin Bar-72" (Fits 66"W Frame Kit)	WS50-BB06A
Power Bar-36" Power Strip/36"Mounting Bar	WPB-303A
Power Bar-36" Power Strip/48"Mounting Bar	WPB-304A
Power Bar-60" Power Strip/60"Mounting Bar	WPB-505A
Power Bar-60" Power Strip/72"Mounting Bar	WPB-506A



Shelf Cart with Bin Boxes
(Boxes not included)

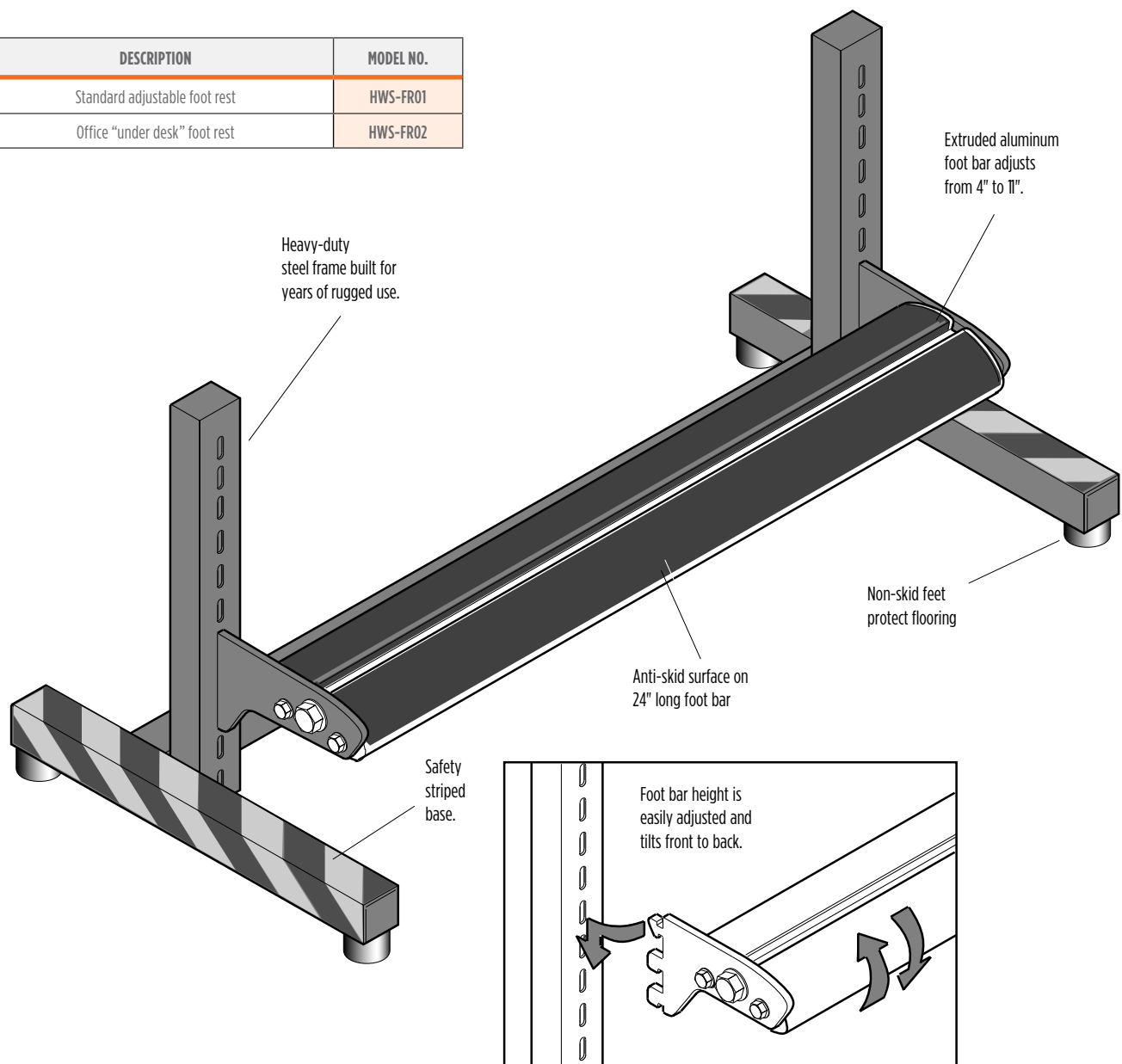


Adjustable Foot Rest

Easy on the legs

Seated or standing, your workers can be more productive and more comfortable using a foot rest. In addition, use of a foot rest offers a degree of protection from back or leg strain. Fully adjustable and strong enough for heavy industrial applications, it's constructed of steel with extruded aluminum foot bar. Standard model measures 29" wide, 12.75" deep and 12.25" high. Smaller "under desk" version measures is 23" wide. Both rest on four non-skid rubber feet. The foot bar is easily adjustable from 4" to 11" above the floor and tilts 15° fore and aft. Frame is finished with matte black baked polyester coating. Foot bar is natural aluminum with two anti-skid strips.

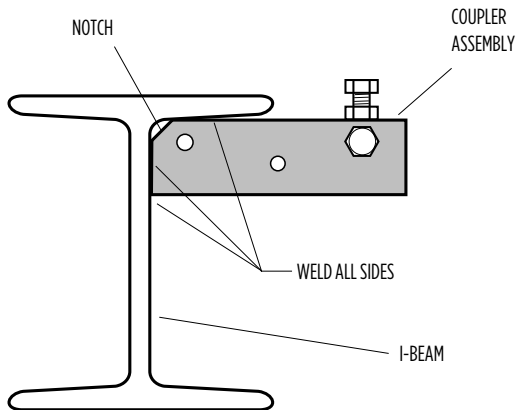
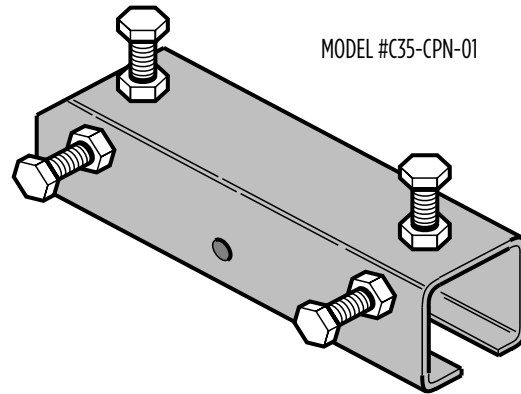
DESCRIPTION	MODEL NO.
Standard adjustable foot rest	HWS-FR01
Office "under desk" foot rest	HWS-FR02



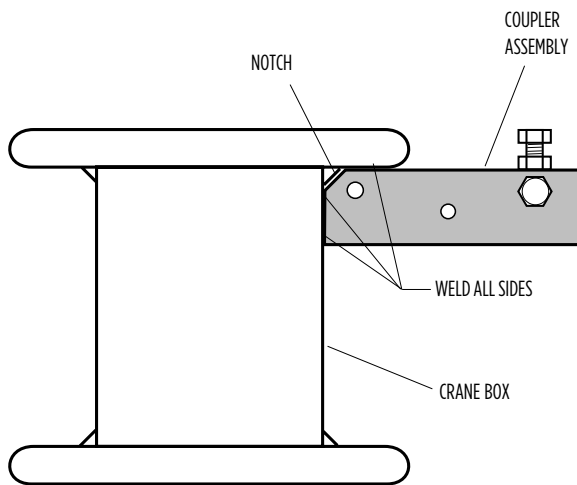
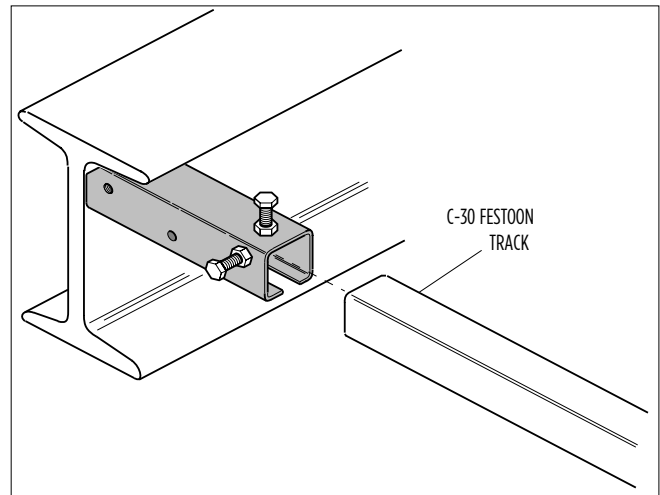
Connect Festoon Track to Beams

with Weldable Track Coupler

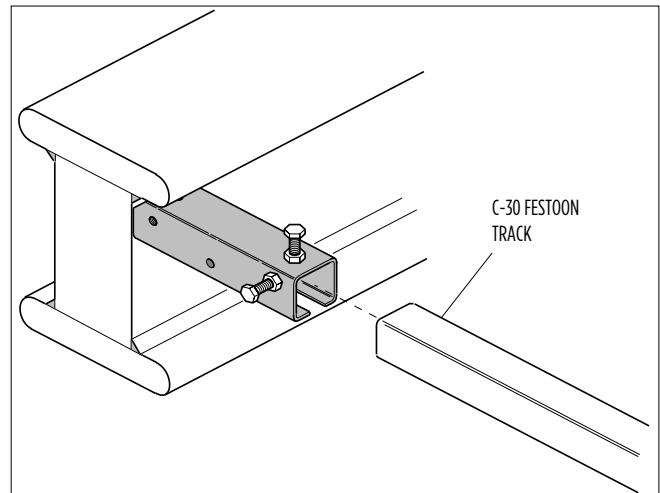
When is a track coupler more than a coupler? When it's the new notched festoon track coupler. It joins track sections, but also doubles as a sleeve that can be welded onto I-beams or crane boxes to support track or create tow arms. The notch on one end clears radii or weld. Simply remove two set screws and weld it in place. Zinc plated.



AFFIXING TRACK TO I-BEAM



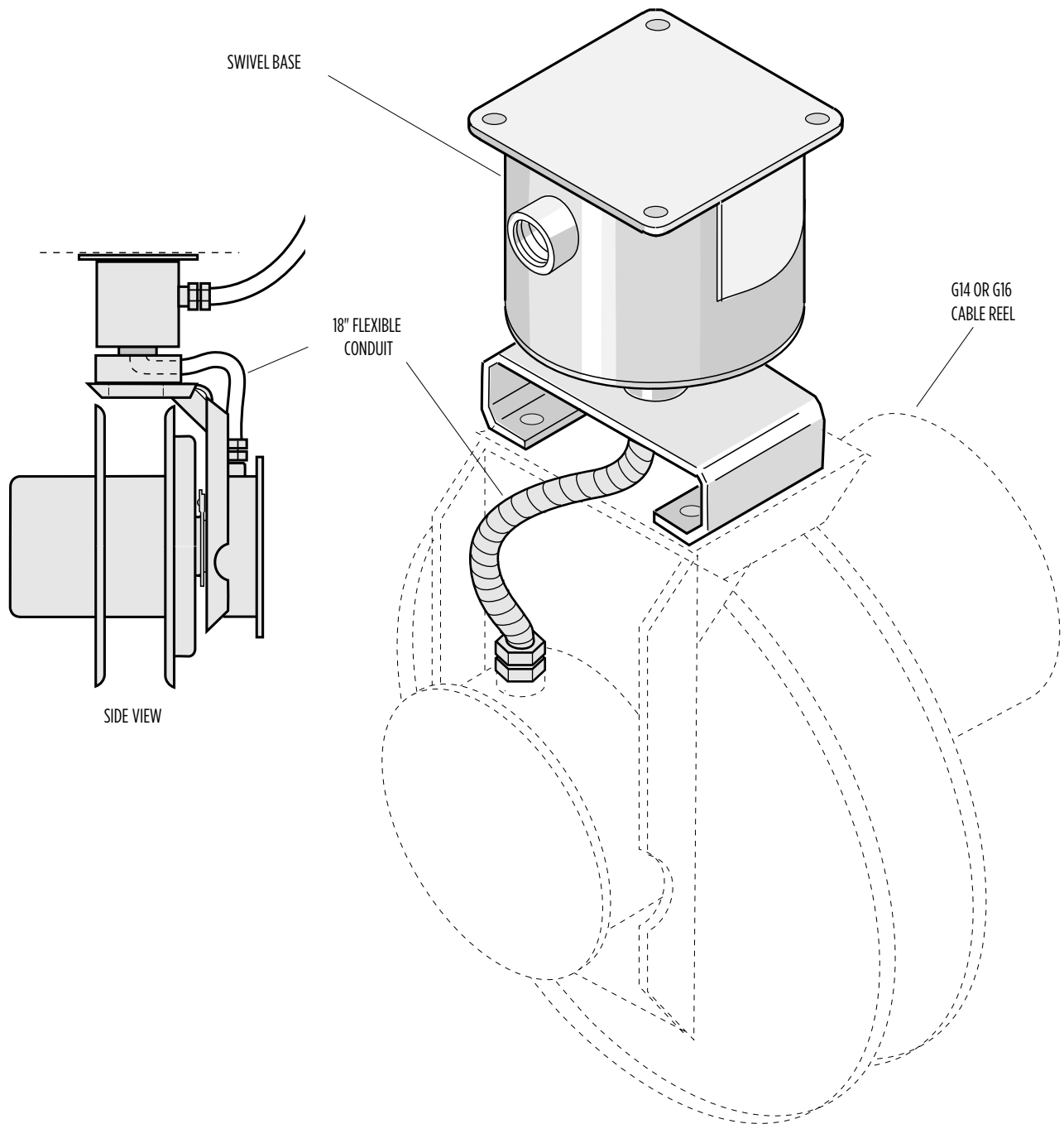
AFFIXING TRACK TO CRANE BOX



360° Swivel Base

Now has Flexible Conduit Lead for Reel

An 18" flexible conduit is now included with models **SB360-430**, **SB360-830** and **SB360-455** swivel bases for the **G14** and **G16** electric cable reels. Lead wires, pre-connected to the slip rings in the base, are long enough for easy connection in the reel junction box. Best news of all: there is no price increase.



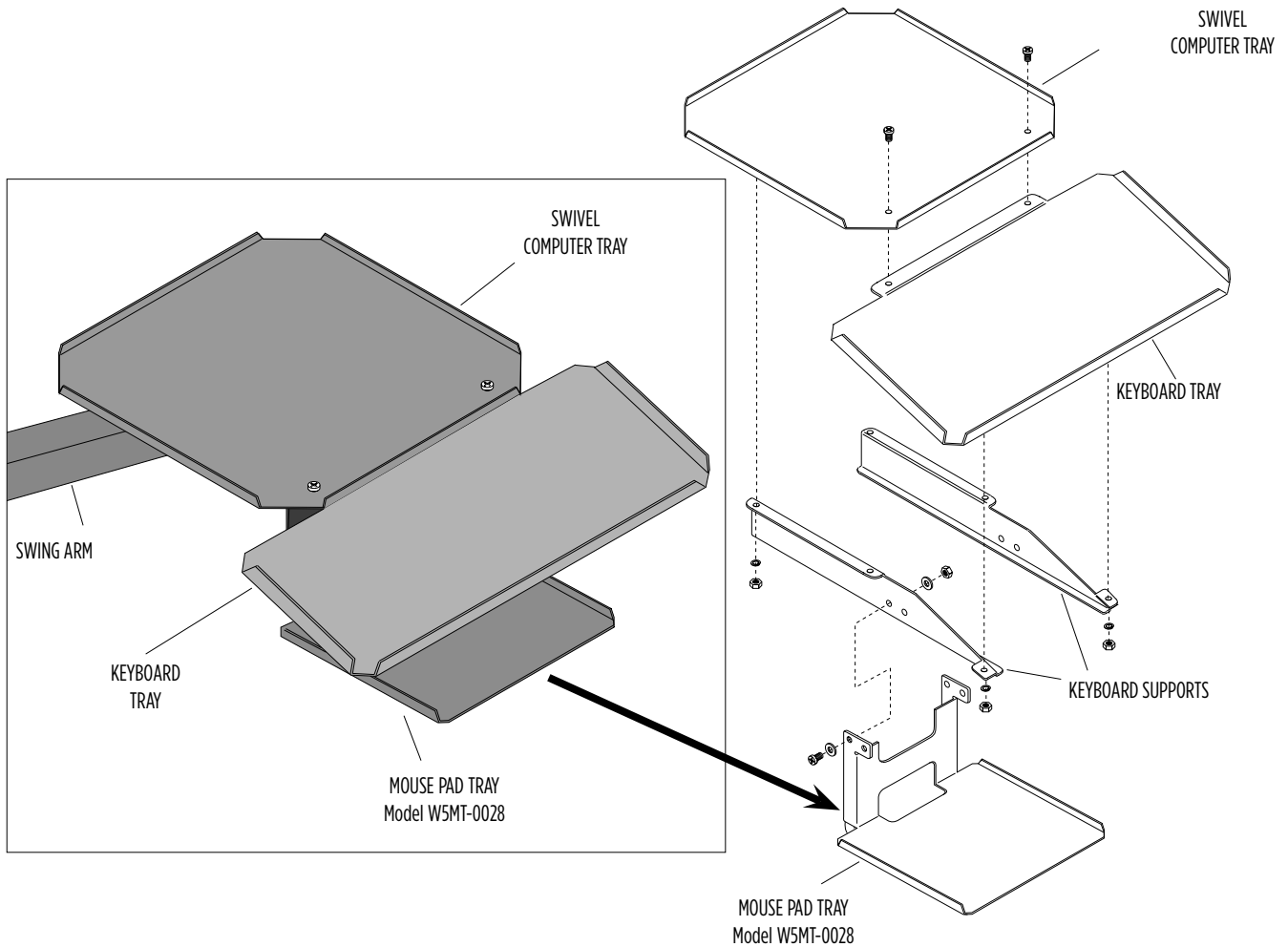
Put mice to work

with our Mouse Pad Tray

When your computer terminal or PC has a mouse, it needs a place to live. Developed in cooperation with one of the leading manufactures of personal computers, the ToolAssistPro Mouse Pad Tray attaches quickly to the keyboard supports on your swing arm mounted computer tray. It makes the mouse easy to reach and use. Plus, the tray's recessed design keeps your mouse safe in a manufacturing environment.

Easy to install. All hardware included.

NOTE: May require that holes be drilled in older keyboard supports. Cannot be installed on units without keyboard supports.

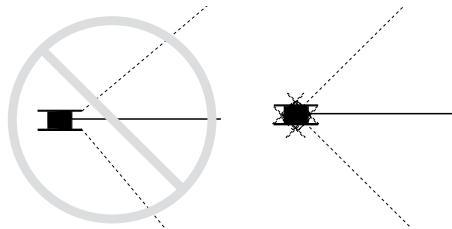


Mounts align reels with work

Prolong cable or cord life

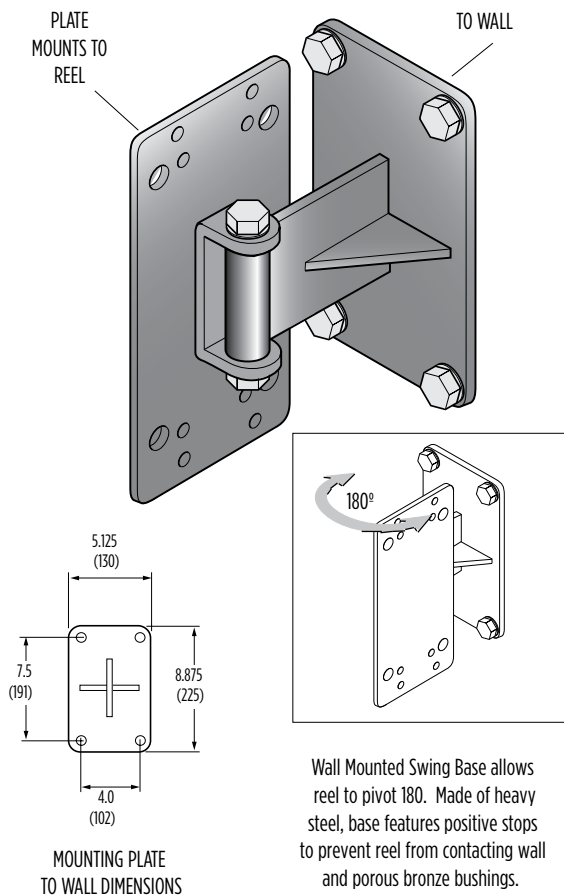
Wear and tear on cord or cable is greatly reduced when the reel is aligned so the guide faces the direction of pull. These reel mounts allow the reel to turn toward the work and pivot or swing if the cord or hose is moved from side to side during use. Both are designed for use with the GL series Industrial Quality Cord Reels or GRC series Compact Hose Reels

Reel that does not pivot or swing with side-to-side motion places undue stress on cord or hose as well as reel. Result: Increased wear and shortened life.



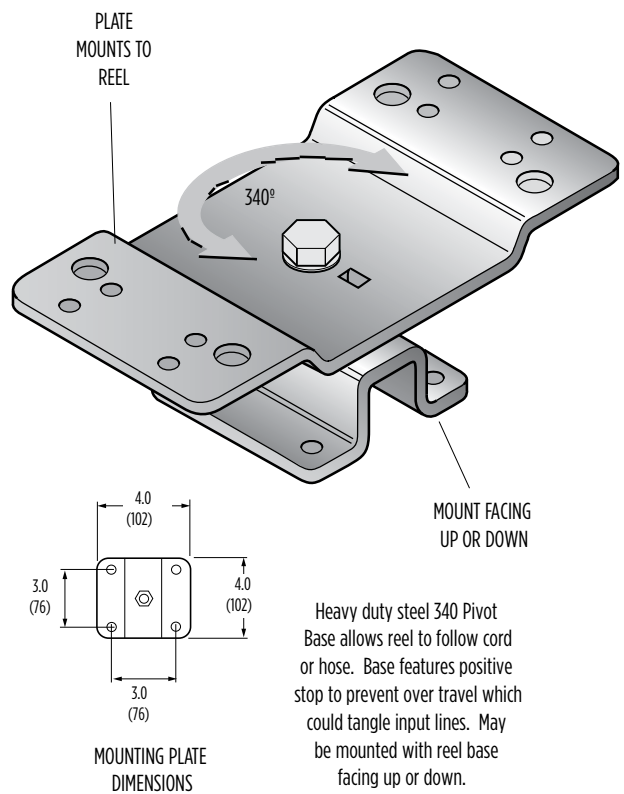
Properly mounted reel pivots or swings as cord or hose travels side-to-side. Straight pull off reel improves operation, increases life of reel and cord or hose.

WALL MOUNTED SWING BASE
Model RC-WP



Wall Mounted Swing Base allows reel to pivot 180°. Made of heavy steel, base features positive stops to prevent reel from contacting wall and porous bronze bushings. Fits all GL and GRC reels.

340° PIVOT BASE
Model RC-PB-B



Heavy duty steel 340 Pivot Base allows reel to follow cord or hose. Base features positive stop to prevent over travel which could tangle input lines. May be mounted with reel base facing up or down. Fits all GL and GRC reels.

Take a new look

with See-Thru Modular Bin Racks

Affix our swinging bin racks to column or bench mounted swing arm bases, with or without arms or elbows. Available in three models, pictured below. Maximum rated capacity, including bins and contents, is 30 lbs. Accepts most standard bin boxes (not included). Bin bars are 18"(457mm) wide. Vertical track is 12"(305mm) high for single and double bar models, 24"(610mm) high on triple bar model. Black baked polyester finish. All hardware included. Assembly and adjustment are quick and easy!

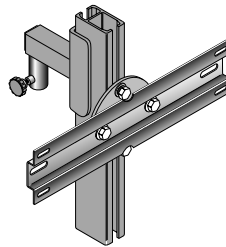
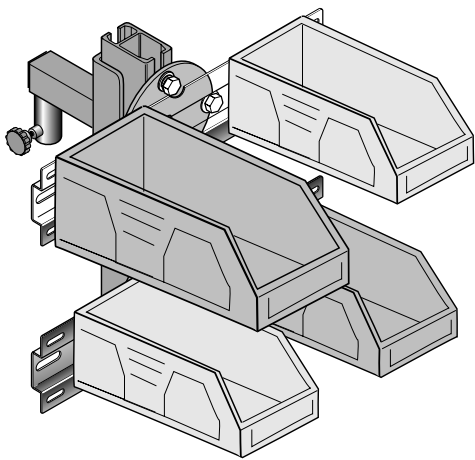


FIGURE 1
Single Bin Bar
#W5BR-1018

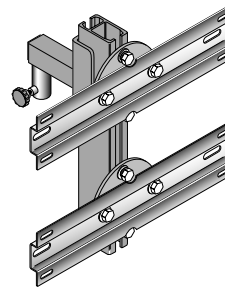


FIGURE 2
Double Bin Bar
#W5BR-2018

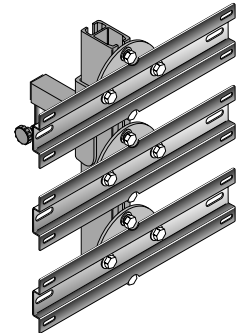
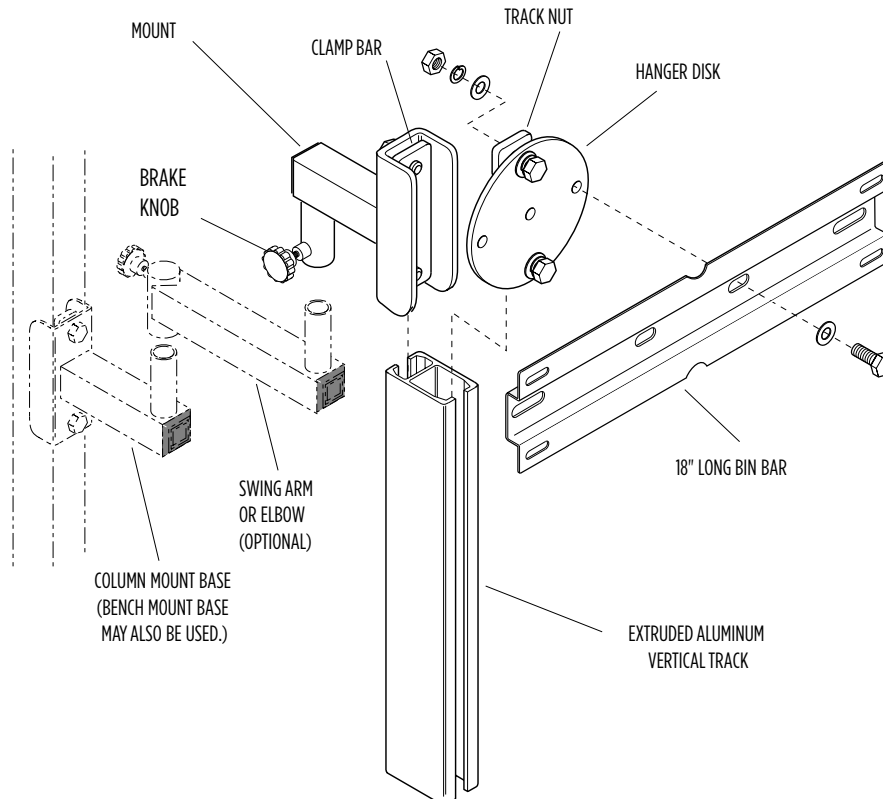


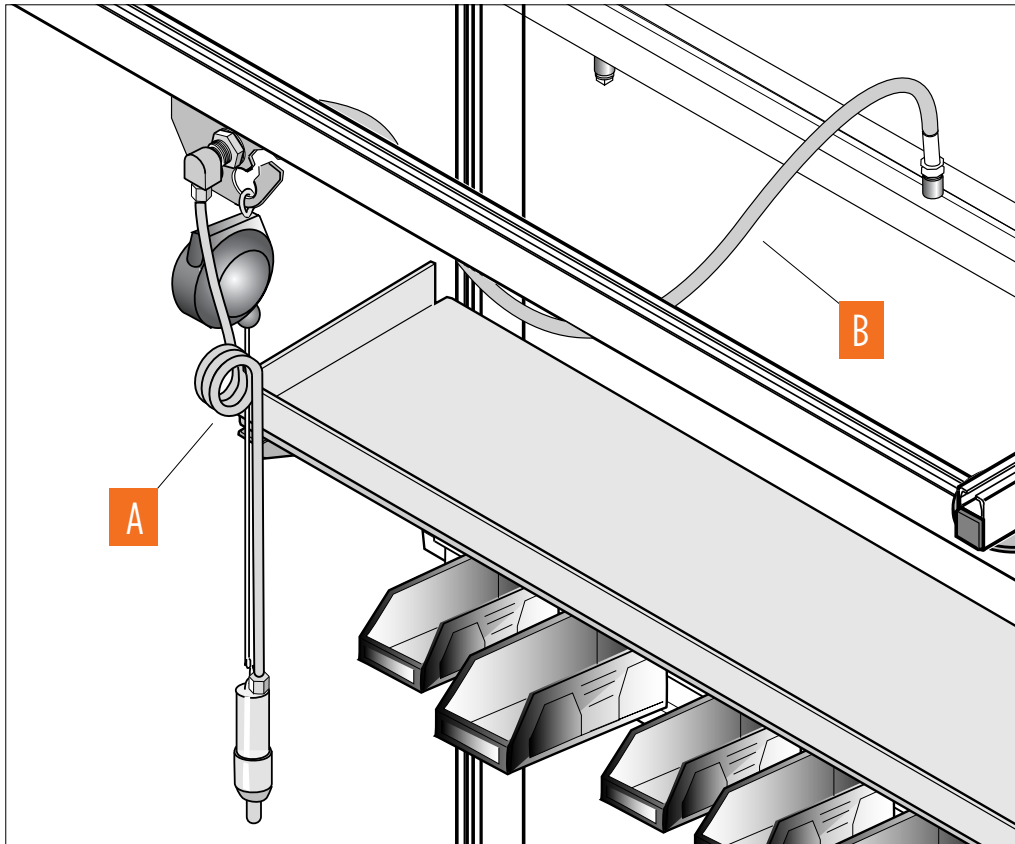
FIGURE 3
Triple Bin Bar
#W5BR-3018



Keep Air Lines out of the way

Flexible & Coiled Air Lines for Workstations

The purpose of tool trolleys on workstation rails is to allow the tool to be easily moved to the work position. Stiff, unyielding hoses prevent free trolley movement and can increase work effort. Our 1/4" ID coiled hose is designed to run from the trolley fitting to the tool. It stays up, out of the way yet is so flexible you will hardly know it's there. For connecting fitting on tool trolley to air supply or manifold, select the strong, flexible, 3/8" ID air lines. Available in eleven lengths and feature swivel fittings at both ends for minimal trolley interference.



A Coiled hose from trolley to tool. Transparent blue polyurethane hose is flexible and light weight, doesn't interfere with tool positioning. Excellent memory retention. High chemical resistance. 3/8" O.D. x 1/4" I.D. x 4' extended length. 1/4" NPT male swivel fitting one end; fixed male fitting opposite end.

DESCRIPTION	MODEL NO.
Coiled hose 3/8"od x 1/4" id x 4' Blue polyurethane	HWS-AC04

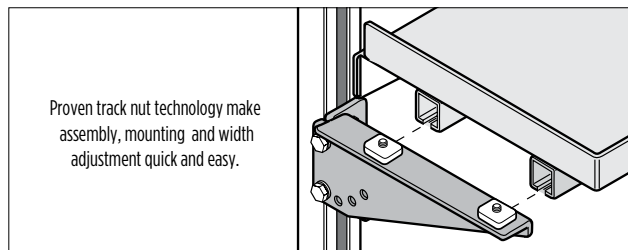
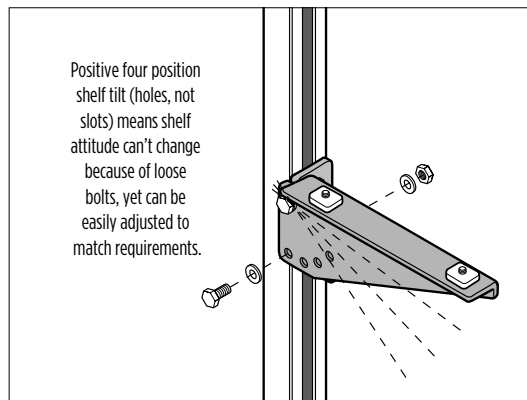
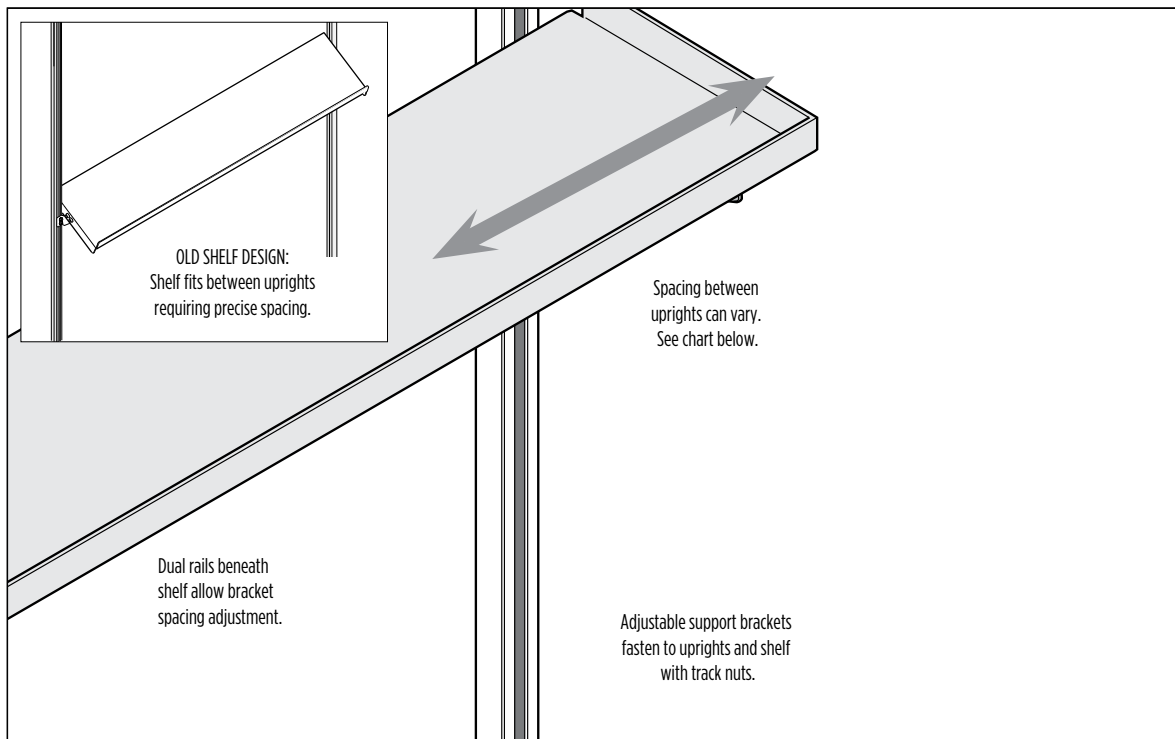
B The most flexible air line we have found. Ideal for connecting tool trolley to manifold or other supply because its flexibility does not interfere with trolley movement. Clear, reinforced plastic, 3/8" I.D. with 3/8" NPT male swivel fittings on both ends.

LENGTH ft. (m)	MODEL NO.
2 (0.6)	HWS-AL02
3 (0.9)	HWS-AL03
4 (1.2)	HWS-AL04
5 (1.5)	HWS-AL05
6 (1.8)	HWS-AL06

Shelf fits any upright spacing

Positive four-position tilt adds flexibility

New design positions shelf in front of, not between, supporting uprights. This allows almost unlimited upright spacing, dictated by the bench design not shelf length. Shelf attaches to uprights with track nuts (like old style) and has adjustable tilt (also like old style). Positive four position tilt with holes rather than slots. Brackets attach to shelf with track nuts into lateral rail welded to underside of shelf. Four models are available, fitting workstations with upright column center-to-center spacing to 68" (1727mm). Baked polyester finish is beige on shelf and matt black on brackets. Shelf includes black end caps.

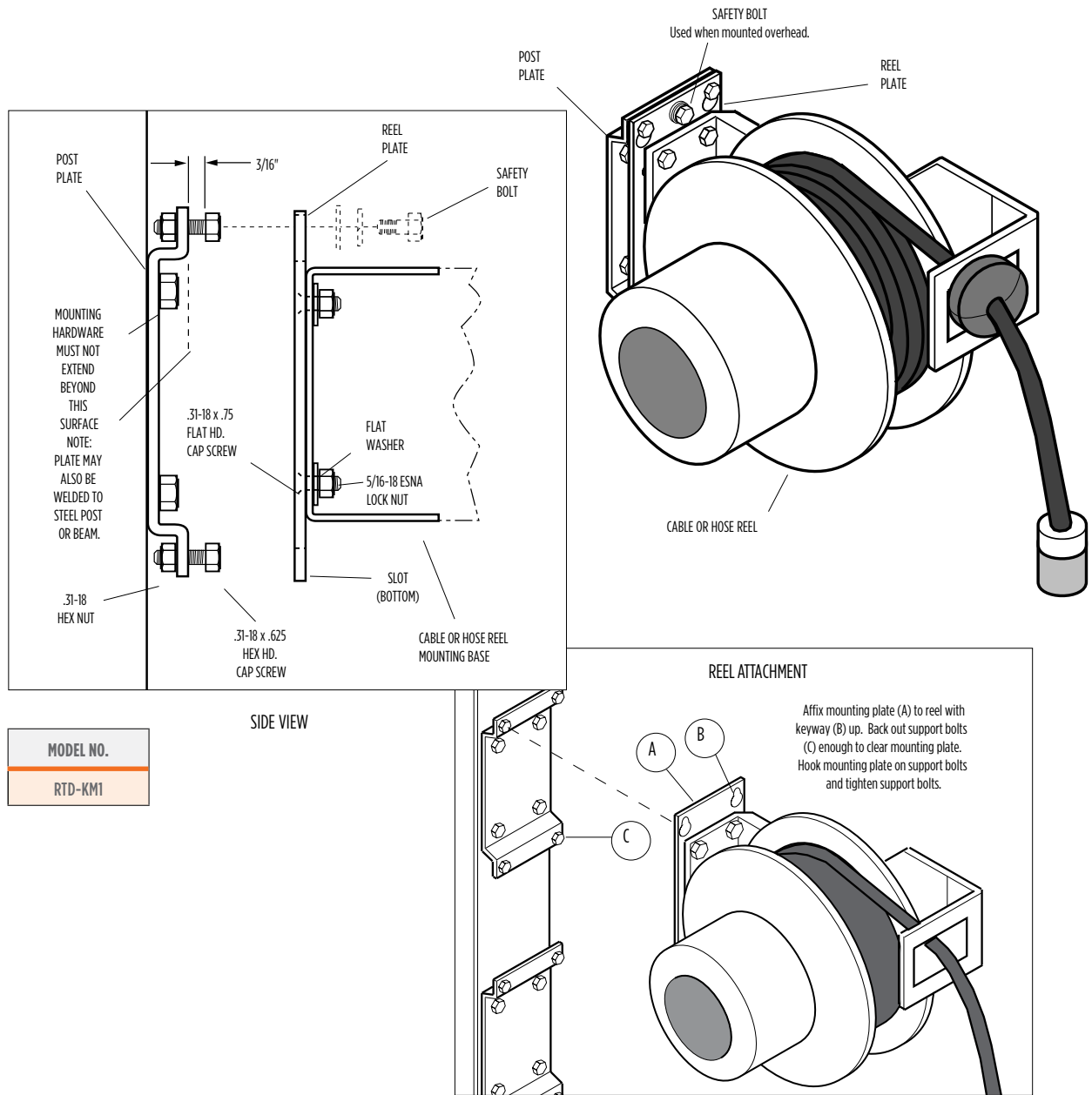


MAX. UPRIGHT SPACING (CENTER TO CENTER)	MODEL NO.
32" (812mm)	WS50-SS03A
44" (1117mm)	WS50-SS04A
56" (1422mm)	WS50-SS05A
68" (1727mm)	WS50-SS06A

Keyed Reel Mounting Plate

Allows welded installation, quick removal or replacement

RTD-KM1 kit facilitates mounting of 14" and 16" hose or cable reels to vertical surfaces, walls, posts, etc. Reel is quickly and easily attached to mounting plate by sliding keyways and slots onto bolts which are then tightened to hold the reel securely in place. Removal is just as easy. The kit is especially useful when a welded installation is desired...only the plate, not the reel base, need be welded in place. Kit consists of one Post (or Wall) Plate, one Reel Plate and hardware for attaching reel plate to reel and for hanging reel on post plate. Hardware for mounting post plate not included. Plates have durable matte black baked-on polyester finish. **NOTE:** Overhead mounting on horizontal support (ceiling) is not recommended. Safety bolt, included, must be installed if mounted on horizontal surface.

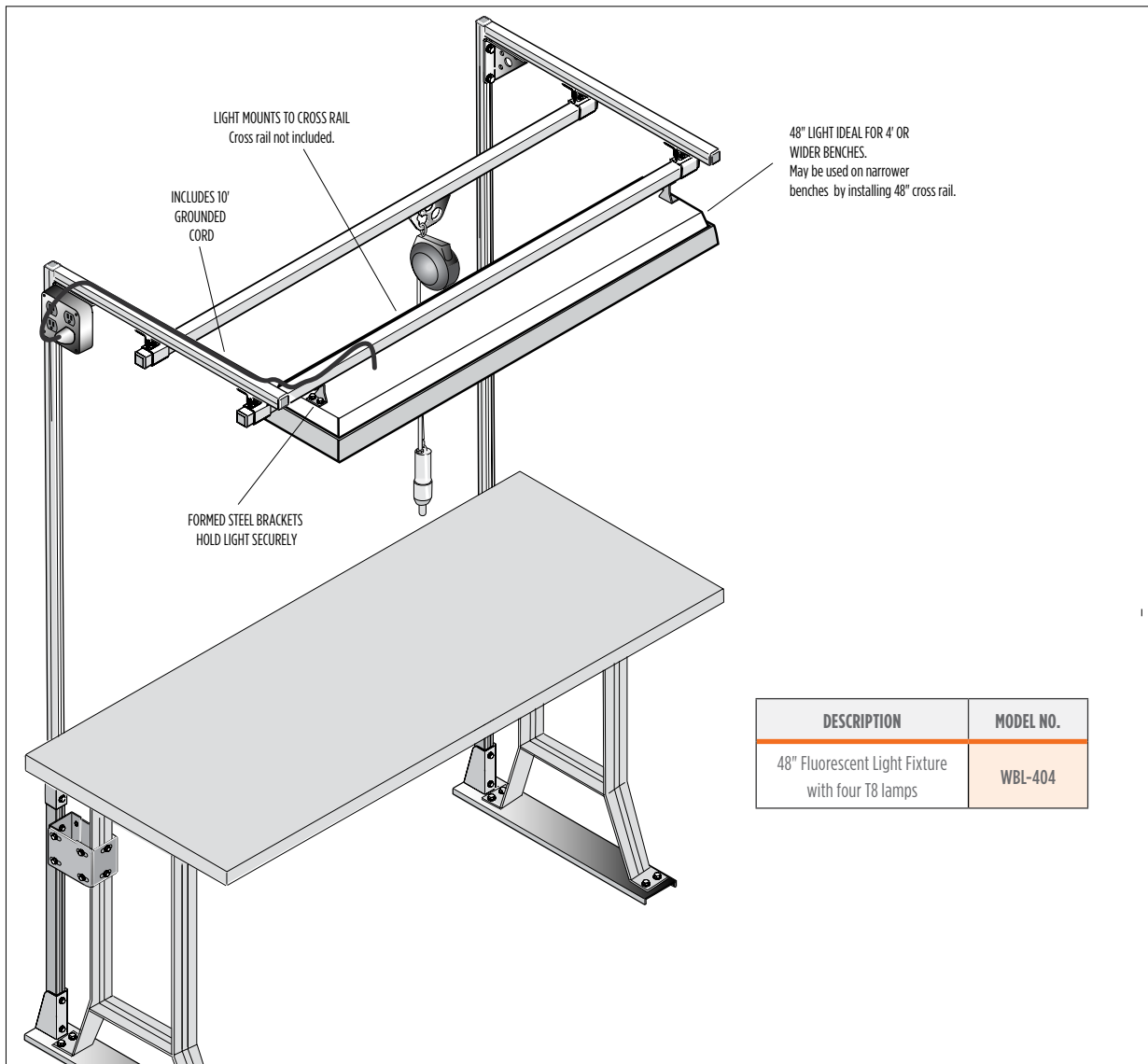


4 ft LED Workbench Light

4000 Lumen LED, 3500K

Our workstation light is designed to give you greatest light on the work at minimal cost. Available in 4' length, this model features LED light sources, 10' grounded cords for easy plug-in, and parabolic louvers to direct light where you need it. Light includes mounting brackets for easy attachment to workstation rail.

NOTE: Brackets do not provide for tilt or width adjustment.

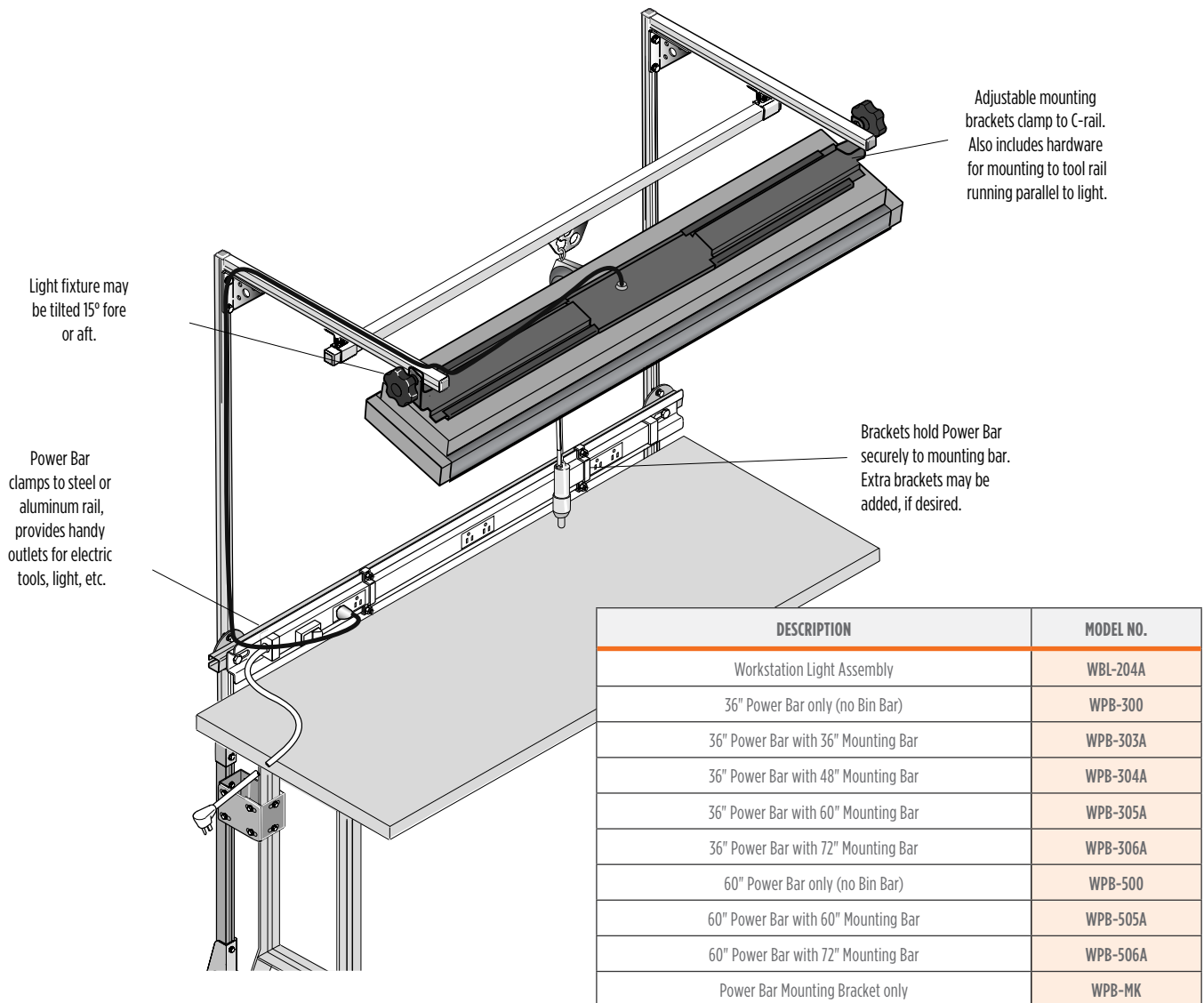


DESCRIPTION	MODEL NO.
48" Fluorescent Light Fixture with four T8 lamps	WBL-404

Power up and put some light on the subject!

Add the finishing touch to your workstations: an overhead LED work light and a power bar. Both are designed for ToolAssistPro workstations. Efficient 48" light features 4,000 lumen LED light source and adjustable mounting brackets. Power Bar is available in two lengths: 36" with six grounded outlets and 60" with ten outlets. Both feature on/off switch and circuit breaker with reset button. Available with or without mounting bar. Light includes 10' cord and power bar includes 6' cord with standard 110V grounded plugs.

- ✓ Custom brackets allow two mounting options
- ✓ Light tilts 15° fore or aft. Allows you to direct light where needed.



DESCRIPTION	MODEL NO.
Workstation Light Assembly	WBL-204A
36" Power Bar only (no Bin Bar)	WPB-300
36" Power Bar with 36" Mounting Bar	WPB-303A
36" Power Bar with 48" Mounting Bar	WPB-304A
36" Power Bar with 60" Mounting Bar	WPB-305A
36" Power Bar with 72" Mounting Bar	WPB-306A
60" Power Bar only (no Bin Bar)	WPB-500
60" Power Bar with 60" Mounting Bar	WPB-505A
60" Power Bar with 72" Mounting Bar	WPB-506A
Power Bar Mounting Bracket only	WPB-MK

SHOCK STOP to the Rescue

Prevents cable damage on “over-powered” balancers

Cable breakage on tool balancers is rare because they use tough and durable nylon coated steel aircraft cable. Most failures involve a break at the eye—the point just above the clip that is swaged around the cable.

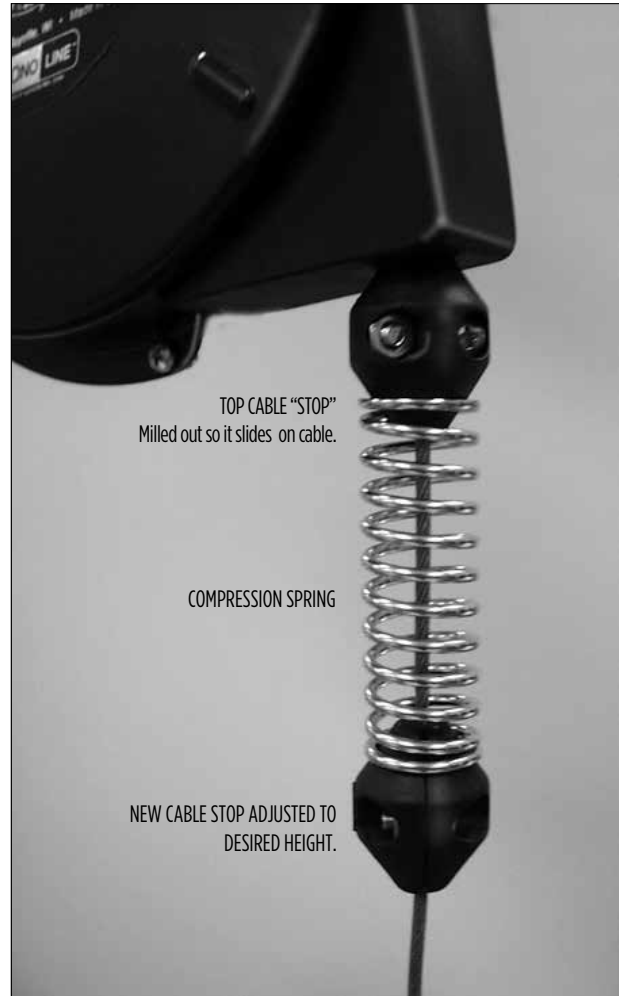
The primary cause of cable failure on Ergo 2 balancers is user error. Over tensioning the spring and allowing the tool to slam back into the balancer from a fully extended position. Both conditions are often present.

Repeated over-tensioned slamming slowly pushes the cable stop down the cable until it is against the eye and can go no farther. Then it hits the reel housing every time the tool is returned to the raised position. This causes the cable to bend at the point between the stop and the eye. Eventually it fatigues and breaks.

The obvious way to prevent this type of cable damage is better customer education. However, may not be easy with a product as simple to use as a tool balancer. The customer buys it, hangs it, and a variety of people use and adjust it.

The Shock Stop provides a mechanical way to minimize cable damage. It consists of a new fixed stop, a compression spring, and a second cable stop designed to slide. The kit installs easily = by removing the existing stop, threading the eye through the spring, and installing the two new stops with the slider on top.

Shock Stop can be used on any Ergo 2 balancer. It is not needed on smaller Ergo 1 balancers.



DESCRIPTION	MODEL NO.
Shock Stop for tool balancers	BG-SH



A proud member of the Hubbell family.

©2023 Hubbell Incorporated. All rights reserved.
Hubbell and the Hubbell logo are registered trademarks
or trademarks of Hubbell Incorporated.
All other trademarks are the property of their respective owners.
www.hubbell.com/gleasonreel
HHI-GR-CAT-EN-01193 | 09/2023