

Grounding and Bonding Cables

Antistatic cables prevent sparks from static electricity generated by movement and flow of flammable liquids. Bonding between containers during liquid transfer and connecting drums to an earth ground are required by federal and local codes. Various clamps and terminals allow a wide variety of uses. All cables are 7 x 19 stranded steel. Insulated cables have safety orange jacket.

- Available in several lengths, insulated or non-insulated
 - Non-insulated (flexible steel) models are 3/32" OD
 - Safety orange (insulated steel) models are 1/8" OD
- Five types of end connectors available on all cables lengths and types
- For longer reach or "Y", connect several cables with 1/4" terminal ends
- Stranded cable for maximum flexibility and conductivity

Alligator Clip & C-Clamp

Model No.	Cable Description
GCSP-AC-03	3' Flexible Steel
GCSP-AC-05	5' Flexible Steel
GCSP-AC-10	10' Flexible Steel
GCSI-AC-03	3' Insulated Steel
GCSI-AC-05	5' Insulated Steel
GCSI-AC-10	10' Insulated Steel



Hand Clamp & C-Clamp

Model No.	Cable Description
GCSP-HC-03	3' Flexible Steel
GCSP-HC-05	5' Flexible Steel
GCSP-HC-10	10' Flexible Steel
GCSI-HC-03	3' Insulated Steel
GCSI-HC-05	5' Insulated Steel
GCSI-HC-10	10' Insulated Steel



Two Hand Clamps

Model No.	Cable Description
GCSP-HH-03	3' Flexible Steel
GCSP-HH-05	5' Flexible Steel
GCSP-HH-10	10' Flexible Steel
GCSI-HH-03	3' Insulated Steel
GCSI-HH-05	5' Insulated Steel
GCSI-HH-10	10' Insulated Steel



Two Alligator Clips

Model No.	Cable Description
GCSP-AA-03	3' Flexible Steel
GCSP-AA-05	5' Flexible Steel
GCSP-AA-10	10' Flexible Steel
GCSI-AA-03	3' Insulated Steel
GCSI-AA-05	5' Insulated Steel
GCSI-AA-10	10' Insulated Steel



Hand Clamp & 1/4" Terminal

Model No.	Cable Description
GCSP-HE-03	3' Flexible Steel
GCSP-HE-05	5' Flexible Steel
GCSP-HE-10	10' Flexible Steel
GCSI-HE-03	3' Insulated Steel
GCSI-HE-05	5' Insulated Steel
GCSI-HE-10	10' Insulated Steel



Two 1/4" Terminals

Model No.	Cable Description
GCSP-EE-03	3' Flexible Steel
GCSP-EE-05	5' Flexible Steel
GCSP-EE-10	10' Flexible Steel
GCSI-EE-03	3' Insulated Steel
GCSI-EE-05	5' Insulated Steel
GCSI-EE-10	10' Insulated Steel



Hand Clamp & Alligator Clip

Model No.	Cable Description
GCSP-AH-03	3' Flexible Steel
GCSP-AH-05	5' Flexible Steel
GCSP-AH-10	10' Flexible Steel
GCSI-AH-03	3' Insulated Steel
GCSI-AH-05	5' Insulated Steel
GCSI-AH-10	10' Insulated Steel



Bulk Wire Rope - Galvanized

Model No.	Cable Description
GCB-NY-050	50' 1/8" OD Clear
GCB-NY-075	75' 1/8" OD Clear
GCB-NY-100	100' 1/8" OD Clear
GCB-PL-050	50' 3/32" OD Plain
GCB-PL-075	75' 3/32" OD Plain
GCB-PL-100	100' 3/32" OD Plain

Bulk Wire Rope - Stainless Steel

Model No.	Cable Description
GCB-OR-050	50' 1/8" OD Orange vs. Clear
GCB-OR-075	75' 1/8" OD Orange vs. Clear
GCB-OR-100	100' 1/8" OD Orange vs. Clear
GCB-YL-050	50' 3/32" OD Yellow
GCB-YL-075	75' 3/32" OD Yellow
GCB-YL-100	100' 3/32" OD Yellow

Individual Connectors & Accessories



Ground Clamp -- 0.5"-1.5"
Model No. GC-CL
 UL & CSA Listed, RoHS Compliant



C-Clamp
Model No. GC-CEE



100 Amp Alligator Clip
Model No. GC-ALG
 FEDERAL SPEC: CID AA59466-010



Hand Clamp
Model No. GC-PLR



Aircraft Clamp
Model No. AGC-MOD
 MIL-SPEC: M83413/7-1



Round Grounding Plug
Model No. AGP-01
 MIL-SPEC: M83413/4-1



STUBUG™
Grounding Stud
Model No. SDS-STD

STATIC DISCHARGE REELS

Ideal for a wide variety of grounding applications. Available with your choice of cable length and connector, Open Spool Reels include spring rewind, centrifugal brake and ratchet lock (permanent ratchet lock, no on/off switch). **Cable is 7 x 7 stranded stainless steel with yellow polyester elastomer cover, 5/32" OD. Reel has safety orange baked polyester finish.

Heavy-duty Open Spool Series 'OSD'

- Open Spool Design
- Cable Lengths to 100 Ft.
- Spring Rewind with Centrifugal Brake
- Rugged Steel Construction
- Choice of Grounding Clamps and Plugs



Static Discharge Reel with HAND CLAMP

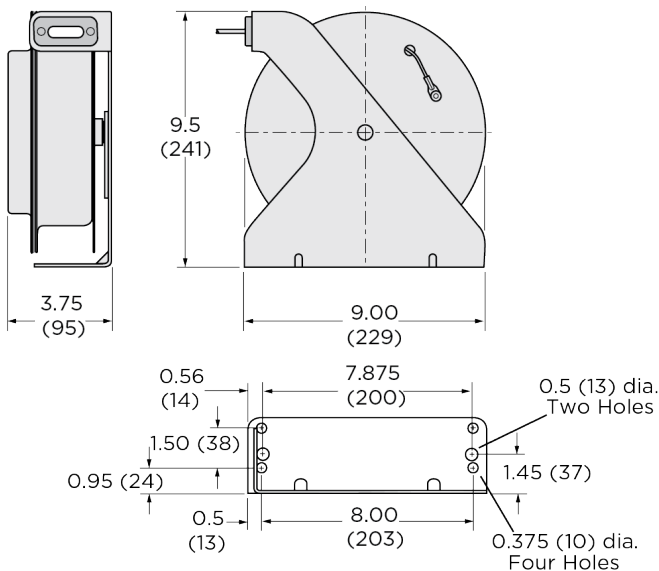


Static Discharge Reel with 100 amp ALLIGATOR CLIP



Static Discharge Reel with *ROUND GROUNDING PLUG

*MIL-SPEC: M83413/4-1



Series "OSD"

**Includes Cable Installed on Reel

Cable Length	Connector	Model Number
50'	Hand Clamp	OSD050-SS-YL-SG-C1
50'	Aircraft Clamp	OSD050-SS-YL-SG-C2
50'	Alligator Clip	OSD050-SS-YL-SG-AL
50'	Round Grounding Plug	OSD050-SS-YL-SG-P1
75'	Hand Clamp	OSD075-SS-YL-SG-C1
75'	Aircraft Clamp	OSD075-SS-YL-SG-C2
75'	Alligator Clip	OSD075-SS-YL-SG-AL
75'	Round Grounding Plug	OSD075-SS-YL-SG-P1
100'	Hand Clamp	OSD100-SS-YL-SG-C1
100'	Aircraft Clamp	OSD100-SS-YL-SG-C2
100'	Alligator Clip	OSD100-SS-YL-SG-AL
100'	Round Grounding Plug	OSD100-SS-YL-SG-P1

**Meets Federal Grounding Spec: RR-W-410.

STATIC DISCHARGE REELS

Ideal for a wide variety of grounding applications. Reel has enclosed spool and safety orange baked polyester finish. See table for various cable and connector options.

Enclosed Spool Series 'SD'

- Automatic PULL™ Rewinding
- Rugged Steel Construction
- Compact Enclosed Design
- Positive Ratchet Lock
- Safety Orange Polyester Baked-On Finish



Series 'SD'

Model No.	Cable Length ft.	Cable Material	Cable Cover	End Options
SD-2030 ¹	30	Galvanized	none	Alligator Clip
SD-2030-C1	30	Galvanized	none	Hand Clamp
SD-2030-C2	30	Galvanized	none	Aircraft Clamp
SD-2030-P1	30	Galvanized	none	Aircraft Plug, Rnd
SD-2050 ¹	50	Galvanized	none	Alligator Clip
SD-2050-C1	50	Galvanized	none	Hand Clamp
SD-2050-C2	50	Galvanized	none	Aircraft Clamp
SD-2050-P1	50	Galvanized	none	Aircraft Plug, Rnd
SD-2050-OS ³	50	Stainless	Orange	Alligator Clip
SD-2050-OS-C1 ³	50	Stainless	Orange	Hand Clamp
SD-2050-OS-C2 ³	50	Stainless	Orange	Aircraft Clamp
SD-2050-OS-P1 ³	50	Stainless	Orange	Aircraft Plug, Rnd
SD-2050N ²	50	Galvanized	Clear	Alligator Clip
SD-2050N-C1	50	Galvanized	Clear	Hand Clamp
SD-2050N-C2	50	Galvanized	Clear	Aircraft Clamp
SD-2050N-P1	50	Galvanized	Clear	Aircraft Plug, Rnd
SD-2050Y ¹	50+	Galvanized	none	Alligator Clip
SD-2050-YL-AL	50	Stainless	Yellow	Alligator Clip
SD-2050-YL-C1	50	Stainless	Yellow	Hand Clamp
SD-2050-YL-C2	50	Stainless	Yellow	Aircraft Clamp
SD-2050-YL-P1	50	Stainless	Yellow	Aircraft Plug, Rnd



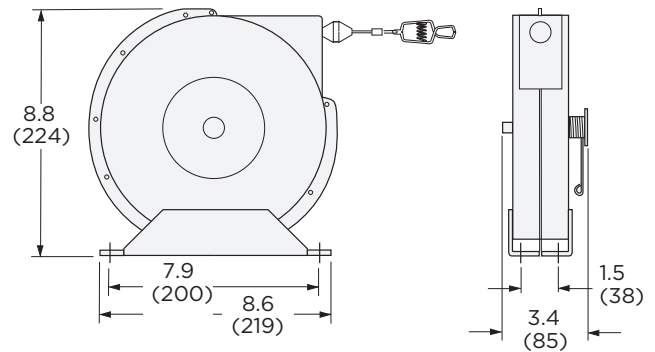
Aircraft Plug, Round

Aircraft Clamp

Hand Clamp

Alligator Clip

1. Static discharge reels are supplied complete with 3/32" OD steel aircraft cable.
The electrical resistance between the end effector and the mounting surface shall not exceed 10-Ohms.
2. Nylon covered cable (1/8" OD) is an optional extra.
The electrical resistance between the end effector and the mounting surface shall not exceed 10-Ohms.
3. Stainless Steel cable covered with Orange or Yellow Nylon jacket to 1/8" OD.
The electrical resistance between the end effector and the mounting surface shall not exceed 10-Ohms.



Unpainted surfaces on mounting plate used for grounding.



©2024 Gleason Reel. All rights reserved.
Hubbell and the Hubbell logo are registered trademarks or trademarks of Hubbell Incorporated. All other trademarks are the property of their respective owners.
600 S. Clark Street, Mayville, WI 53050
www.hubbell.com/gleasonreel | 920-387-4120

HHI-GR-BR-EN-02338 | 09/2024