



Industrial Duty GCC Cord Reels

Open Spool Cord reels with fluorescent or incandescent lamp, single or dual outlet or bare cord.

All reels include automatic spring rewind, a multi-position four roller cord guide & a 48" pigtail with three prong plug. Also available with bare cord end.

Ideal for a wide variety of industrial applications mounted from wall, ceiling or under work bench. Cord lengths from 50' to 70'. All reels include adjustable cord stop, spring rewind and ratchet lock.

Operator simply pulls cord off spool. Ratchet lock maintains desired cable length and, when task is completed, a slight pull releases the ratchet allowing the spring motor to rewind the cord.

Reels feature heavy steel frame with baked-on polyester finish. Fully gasketed steel Slip-ring housing. Both hand lamps include on-off switch. Fluorescent lamp features directed light, polycarbonate outer tube and integral ballast. Twenty amp duplex box includes ground fault circuit interrupter (GFCI).

Consult factory if installation height is greater than 16'.



Reel with LED LAMP



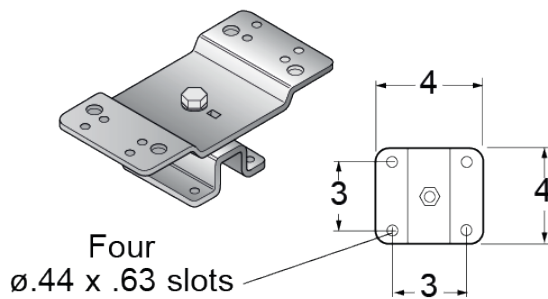
Reel with SINGLE OUTLET



Reel with DUPLEX OUTLET BOX

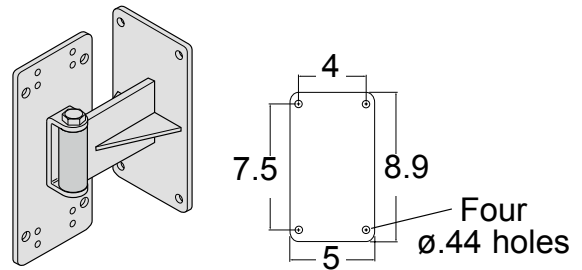


Reel with INCANDESCENT LAMP



Optional 340° Pivot Base

Model RC-PB-B
Reel follows activity for smoother operation, reduced cord wear.



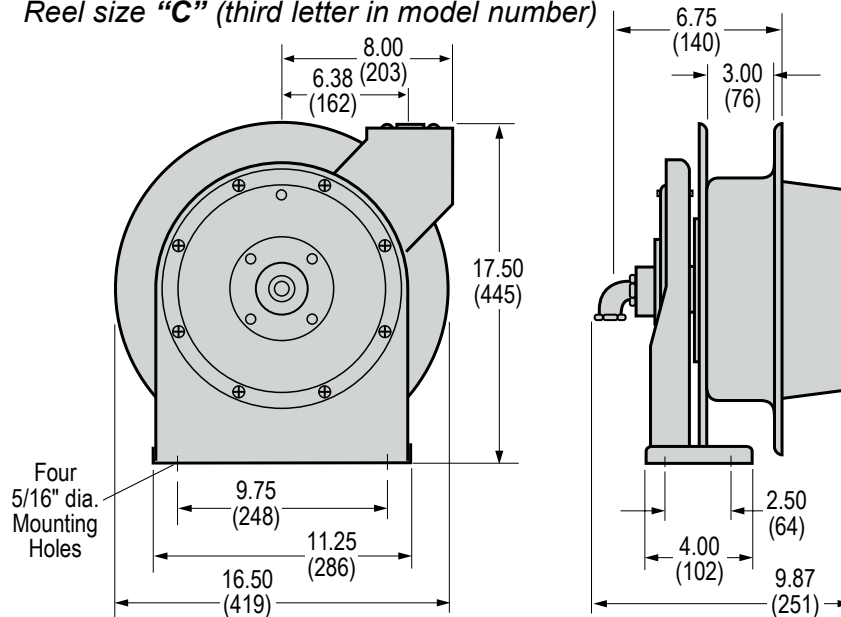
Optional Wall Mounted Pivot Base

Model RC-WP
Provides 180° pivot.
NOTE: Either base fits all reel sizes.

Model List - Series GCC

Accessory	Amps	CORD TYPE		SJOW-A/SJO	Weight Lbs. (kg)	Model
		AWG	Cond.	Length Ft.(m)		
Incandescent	10	16	3	70 (21)	40.0 (18.2)	GCC16370-HL
Incandescent	15	14	3	70 (21)	36.6 (16.6)	GCC14370-HL
LED	13W	16	3	70 (21)	40.5 (18.4)	GCC16370-LED
Single Recept	10	16	3	70 (21)	35.3 (16.1)	GCC16370-SR
Single Recept	15	14	3	70 (21)	36.6 (16.6)	GCC14370-SR
Single Recept	15	12	3	70 (15)	42.7 (19.4)	GCC12350-SR
Single Recept	15	12	3	70 (21)	47.6 (21.6)	GCC12370-SR
Duplex Recept W/GFCI	10	16	3	70 (21)	40.0 (18.2)	GCC16370-DR
Duplex Recept W/GFCI	15	14	3	70 (21)	36.6 (16.6)	GCC14370-DR
Duplex Recept W/GFCI	15	12	3	70 (15)	44.2 (20.1)	GCC12350-DR
Duplex Recept W/GFCI	15	12	3	70 (21)	49.1 (22.3)	GCC12370-SR
None	10	16	3	70 (21)	34.8 (18.8)	GCC16370-BC
None	15	14	3	70 (21)	36.2 (16.4)	GCC14370-BC
None	15	12	3	70 (15)	42.2 (19.2)	GCC12350-BC
None	15	12	3	70 (21)	47.1 (21.4)	GCC12370-BC

CORD REEL DIMENSIONS—inches (mm)
Reel size "C" (third letter in model number)



A Hubbell brand