

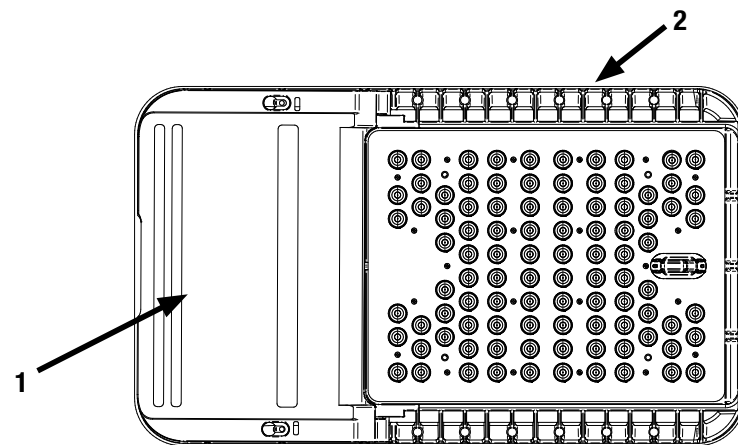
## Beacon Viper VP-L House Side Shield Selection Guide

Two House Side Shield versions are available for the large Beacon Viper (VP-L). In order to ensure proper shield selection, identify the luminaire construction version and match with the appropriate shield type as illustrated below.

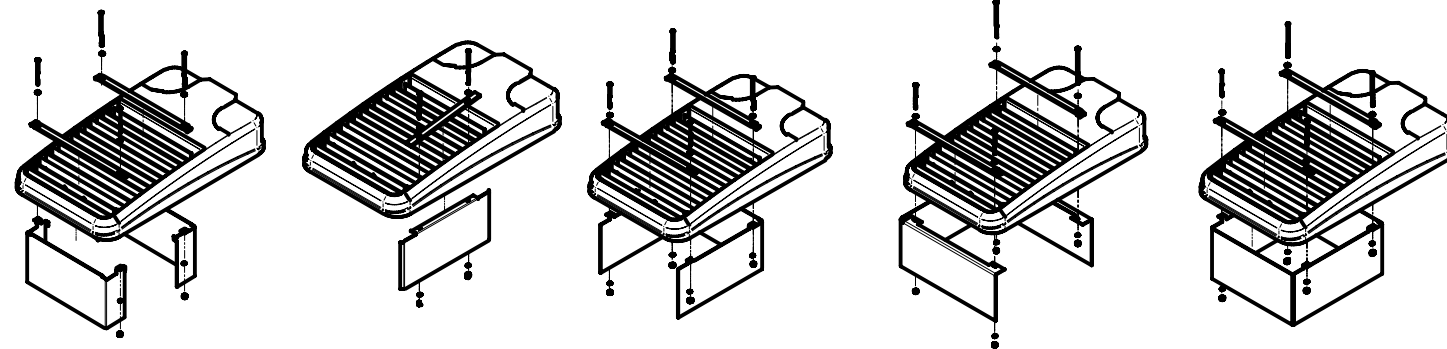
Most Luminaires manufactured after March 1, 2017:

Product Identification Attributes:

1. The electrical compartment access door does not have the brand marking “Beacon” in embossed die cast letters
2. The number of heat sink fins total 13 per side



### HSS/EVP Series



HSS/EVP-L/90-FB/XXX (2 shields shown, 1 positioned at the back and 1 positioned at the front)    HSS/EVP-L/90-LR/XXX (1 shield shown in left position)    HSS/EVP-L/270-FB/XXX    HSS/EVP-L/270-LR/XXX    HSS/EVP-L/360/XXX

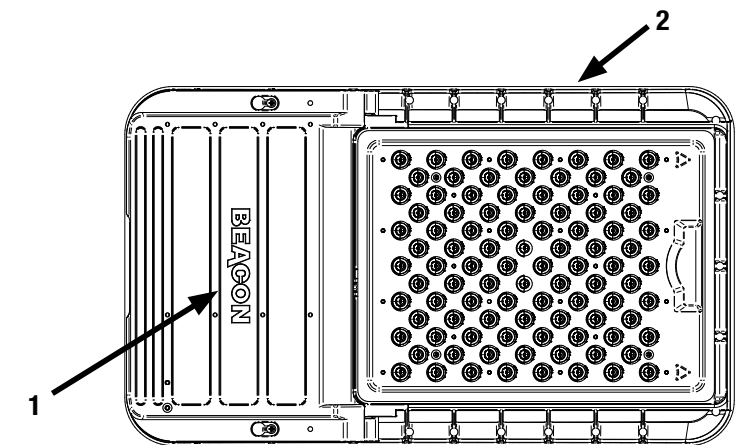
XXX denotes finish color

## Beacon Viper VP-L House Side Shield Selection Guide

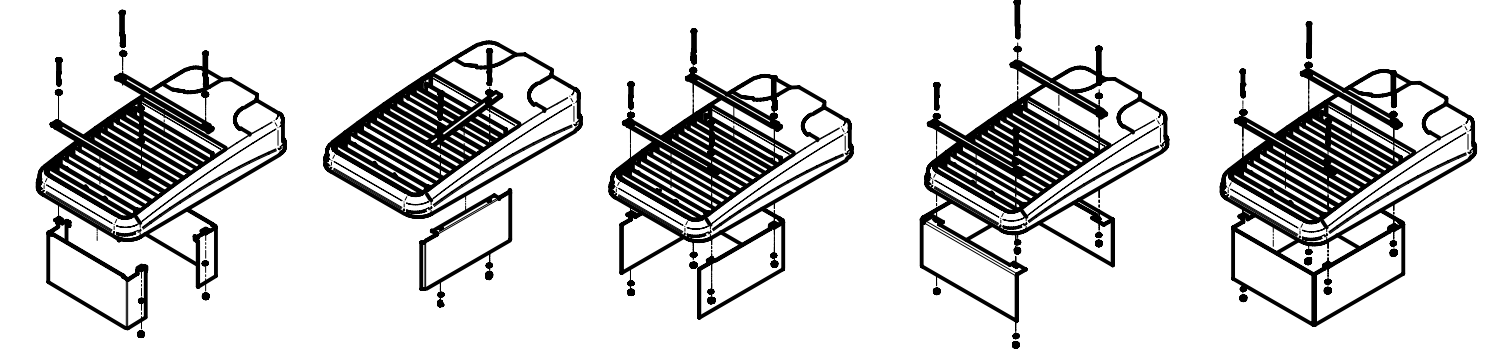
Most Luminaires manufactured before March 1, 2017:

Product Identification Attributes:

1. The electrical compartment access door has the brand marking “Beacon” in embossed die cast letters
2. The number of heat sink fins total 6 per side



### HSS/VP Series



HSS/VP-L/90-FB/XXX (2 shields shown, 1 positioned at the back and 1 positioned at the front)    HSS/VP-L/90-LR/XXX (1 shield shown in left position)    HSS/VP-L/270-FB/XXX    HSS/VP-L/270-LR/XXX    HSS/VP-L/360/XXX

XXX denotes finish color