



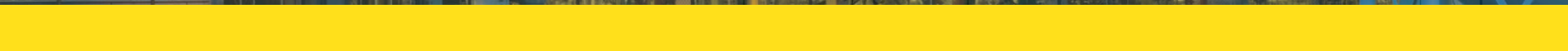
Harsh & Hazardous

**KILLARK®**

# KFL Series

## LED Technology

*for Harsh and Hazardous Environments*





## C1D2 FLOOD – INTRODUCTION & LOGIC



### PETROBRIGHT® LED

#### FEATURES-SPECIFICATIONS

##### Compliances

- UL-8750 for LED lighting
- ANSI/UL 1598(A)
- UL-844 Standard for lighting fixtures for hazardous locations, Class I, Division 2; Class II, Divisions 1 and 2; Class III
- CSA C22.2 no. 137-M1981 electric luminaires for use in hazardous locations
- Enclosed and gasketed
- Type 3, 4X
- IP66
- IEX suffix Zone 2/21 to IEC 60079-0, 60079-15, 60079-31 Standards

##### Materials

- Body, end caps and lens frame corrosion resistant copper-free aluminum alloy with baked powder epoxy/polyester finish, electrostatically applied for complete, uniform corrosion protection
- All external hardware - stainless steel
- Thermal shock and impact resistant glass lens
- High temperature silicone gasketing
- Trunnion heavy gauge galvanized steel with painted finish

##### LED Flood Features and Standards

- Crisp White Light for Excellent Color Rendering - Chromaticity 5000K (CCT); approx. 70 CRI
- Energy Savings – High lumens per watt
- LED Array Life – 100,000+ hours with 70% initial lumens



Supplemental **20KA/10KV Surge Protection** is **standard** (for 120-277 VAC models)  
**10KA/10KV Surge Protection** (for 347-480 VAC)

- Long Fixture Life – 50,000 - 55,000 maintenance free hours
- Ambient suitability -50°C to 55°C up to 125W
- Instant On – Including after power interruption
- World Voltage 120 – 277VAC 50/60Hz
- Solder-LESS LED Board Connections – Vibration Resistant
- Standard Fixture is supplied with a single 3/4" NPT entry
- Warm LED color option available with 3070 option
- Chromaticity output: Standard – 5000K 70 CRI 3070 option – 3000K 70 CRI
- TURTLE option provides Amber LEDs that have no blue wavelength light
- AMBER option provides phosphor converted LEDs.

**Class I, Div. 2, Groups A,B,C,D**  
**Class II, Div. 1&2, Groups EFG**  
**Class III**  
**Suitable for wet locations**  
**Marine Rated (US Only)**  
**Type 3, 4X**  
**IP66**

cSP US File LR11713

**IEC Ex Rated model (w/IEX suffix)**  
**Zone 2 and Zone 21 areas**  
**Ex nA IIC T6...T3, Gc**  
**Ex tb IIC T160°C Db**  
**Tamb -50°C <Ta<+55°C, IP66**

**IECEX Certificate**  
**CSA 14.0002X**

**ATEX Certificate**  
**CML 14ATEX3087/4088**

**PATENTED LUMINAIRE DESIGN**

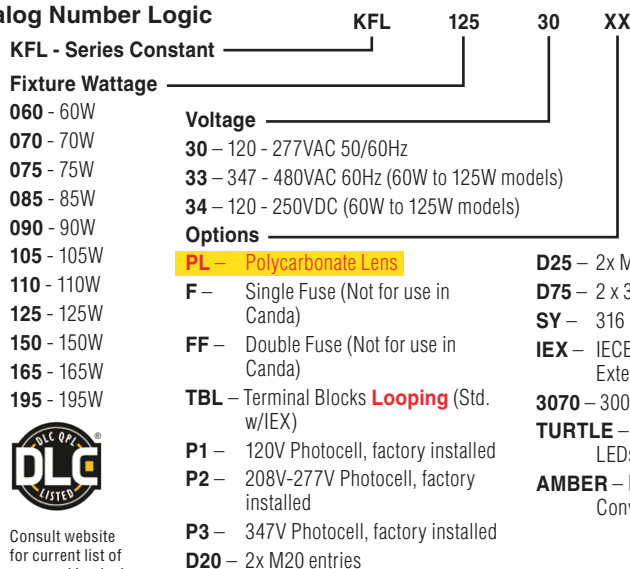


KFL with KFS-6 Slipfitter mount on 2" pipe

Dark Sky Visor KFL-DARK

IEC Units include Qty. 3 6mm terminals plus external ground as standard

#### Catalog Number Logic



Consult website for current list of approved luminaires



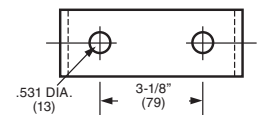
### C1D2 FLOOD – ORDERING INFORMATION & TECHNICAL DATA

ORDERING INFORMATION AND AMBIENT SUITABILITY						C1D2		C1D2 SIMULTANEOUS		C2D1		IEC ZONE 2		IEC ZONE 21	
CATALOG NO.	WEIGHT LBS./KG	WATTS	VOLTAGE	AMPS	DELIVERED LUMENS	40°C	55°C	40°C	55°C	40°C	55°C	40°C	55°C	40°C	55°C
KFL06030	30.00 / 13.61	60	120-277VAC	0.50-0.20	6111	T6	T5	T3C	T3C	T3C (EFG)	T3C (EFG)	T6	T5	145	160
KFL07030		70	120-277VAC	0.60-0.30	9742	T6	T5	T3C	T3C	T3C (EFG)	T3C (EFG)	T6	T5	145	160
KFL07530		75	120-277VAC	0.60-0.30	7454	T6	T5	T3C	T3C	T3C (EFG)	T3C (EFG)	T6	T5	145	160
KFL08530		85	120-277VAC	0.70-0.30	10840	T6	T5	T3C	T3C	T3C (EFG)	T3C (EFG)	T6	T5	145	160
KFL08533			347-480VAC	0.24-0.17											
KFL08534		120-250VDC	0.70-0.27	9023	T6	T5	T3C	T3C	T3C (EFG)	T3C (EFG)	T6	T5	145	160	
KFL09030		120-277VAC	0.80-0.40												
KFL09033		90	347-480VAC	0.28-0.23	10370	T4A	T4A	T3C	T3C	T3C (EFG)	T3C (EFG)	T4	T4	145	160
KFL09034			120-250VDC	0.80-0.36											
KFL10530		105	120-277VAC	0.90-0.40	13780	T6	T5	T3C	T3C	T3C (EFG)	T3C (EFG)	T6	T5	145	160
KFL10533			347-480VAC	0.31-0.23											
KFL10534		120-250VDC	0.90-0.36	15340	T6	T5	T3C	T3C	T3C (EFG)	T3C (EFG)	T6	T5	145	160	
KFL11030		120-277VAC	0.90-0.40												
KFL11033		110	347-480VAC	0.31-0.23	18550	T5	-	T3C	-	T3C (EFG)	-	T5	T5	160	160
KFL11034			120-250VDC	0.90-0.36											
KFL12530		125	120-277VAC	1.00-0.50	19220	T5	-	T3C	-	T3C (EFG)	-	T5	T4	160	160
KFL12533			347-480VAC	0.35-0.29											
KFL12534		120-250VDC	1.00-0.45	21940	T5	-	T3C	-	T3C (EFG)	-	T5	T4	160	160	
KFL15030		150	120-277VAC												1.25-0.54
KFL16530		165	120-277VAC	1.38-0.60											
KFL19530	195	120-277VAC	1.63-0.70												

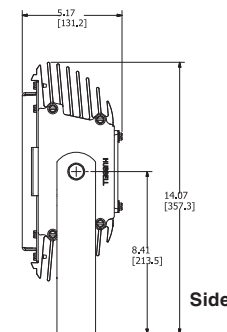
#### KFL MOUNTS AND ACCESSORIES

CATALOG NUMBER	DESCRIPTION
KFS-6	Steel Slipfitter for 2" Pipe (2-3/8" o.d.) Tenon. Slips 3.75" Over Pipe.
KFCB	Heavy Duty Cast-Iron Crossarm Fitting for Horizontal Trunnion
KFWB	Heavy Duty Wall Mount and/or Pipe Clamp Fitting Clamps 2" Pipe (2-3/8" o.d.) Through 2-1/2" Pipe (2-7/8" o.d.)
K4040	Heavy Duty Steel Wall Bracket. (Must be with KFCB Crossarm Fitting)
4041	Heavy Duty Steel Wall Bracket 2" Pipe (2-3/8" o.d.) Tenon Fitting. Uses with KFS-6
KFLG	Wire Guard, 316 Stainless Steel (not used with KFL-DARK)
VMSC10	10' Stainless Steel Safety Cable with loop grip
KFL-DARK	Dark Sky Visor, White Painted Aluminum (not used with KFLG)
KFL-DOOR	Replacement Door and Lens Assembly (for units w/o internal reflectors)
KFL-DOOR2	Replacement Internal Reflector and Lens Assembly

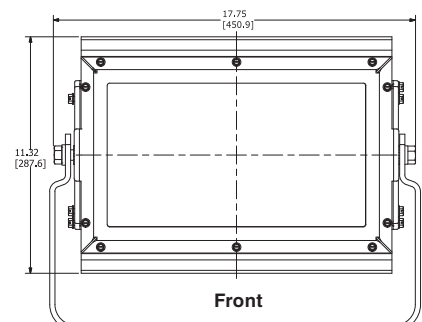
#### Dimensions



Trunnion Mounting Detail



Side



Front



KFS-6 Slipfitter



KFWB Wall/Pipe Bracket



4041 Tenon Fitting

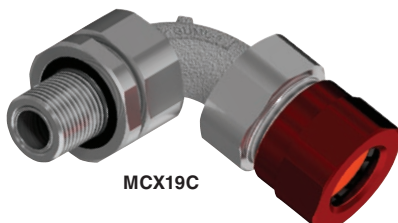


KFCB Cross Arm Mount



K4040 Wall Bracket

#### CABLE GLAND ORDERING OPTIONS



MCX19C

CATALOG #	ENTRY THREAD SIZE (NPT)	BEND	CABLE ACCEPTANCE DETAILS	
			MIN.	MAX.
MCX19C	1/2"	90°	.60" (15.2)	.82" (20.8)
MCX29	3/4"	90°	.73" (18.5)	1.03" (26.2)

For entire series, please see [www.hubbell-killark.com](http://www.hubbell-killark.com)





# **CERTILITE<sup>®</sup> DESIGN**

## **LIGHTING DESIGN SOFTWARE**

Copyright ©2014 All Rights Reserved

- **Modern “Ribbon” Windows Interface with “Real Time” Calculations**
- **Easily import/export of CAD files (DWG/DXF/PDF)**
- **Enhanced photometric database with luminaire images and wireframes**
- **Ability to draw round or complex rooms and grids**
- **False Colors to indicate “Relative Brightness”**

See “Lighting Software link” at [www.hubbell-killark.com](http://www.hubbell-killark.com) to download

HKSB-KFL 03-19 © Killark, 2019

**KILLARK<sup>®</sup>**

**Hubbell Killark**  
2112 Fenton Logistics Park Blvd. • Fenton, MO 63026  
Phone: (314) 531-0460 • Fax: (314) 531-7164  
[www.hubbell-killark.com](http://www.hubbell-killark.com)



**Harsh & Hazardous**