

Downlight

Adjustable

Wall Wash

Lens

Round

Square

4", 6", 8"

Dimming

Retroficient

Controls

LF Series

High quality **LED downlighting** that gives you the choice of **size and shape, lumen output** and **dimming options**



LF Series is a Specification Grade LED downlight family that blends great performance with superior color quality while offering aesthetic options and functionality to achieve optimal performance within your space.

LF6

LF6 6" Round Downlight

Designed for optimal life and lumen maintenance, the LF6 offers superior performance with an LED module up to 3000 Lumens.



Beam Options

LF Series offers multiple beam options achieved through open and lensed fixture configurations.

Directionals

Our directionals offer the user the ability to put the light where it is required and the adaptability to perform in any space.

Wall Washers

Our wall wash fixtures offer a balance of high angle light and low angle light to create a uniform distribution down the wall.

Cone Colors & Finishes

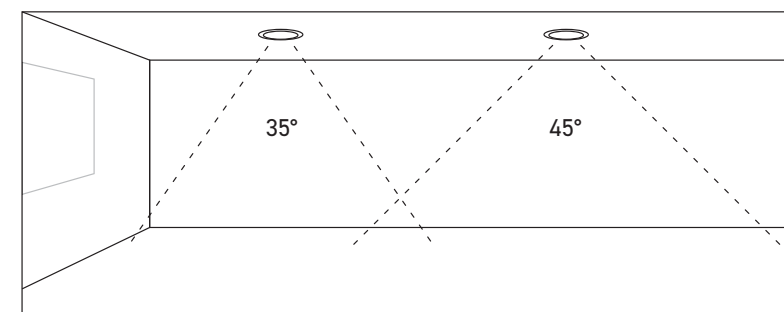
The LF Series is now available with a wide variety of cone colors and finishes, including our Kurt Versen specialized SoftSheen™, SoftGlow®.

Lenses

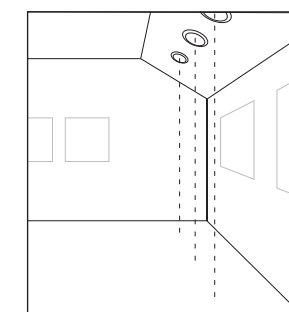
Lensed options now include a regressed clear and diffuse option as well as IP65/VR option for extreme environments.

Controls

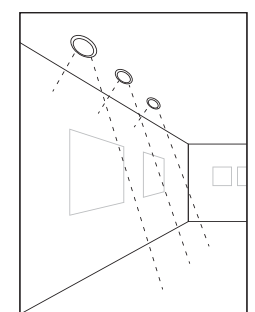
The LF Series is available with a variety of standard and wireless control solutions that allow the user to customize their space.



35° and 45° Beam Options



Directionals



Wall Washers

LF Series



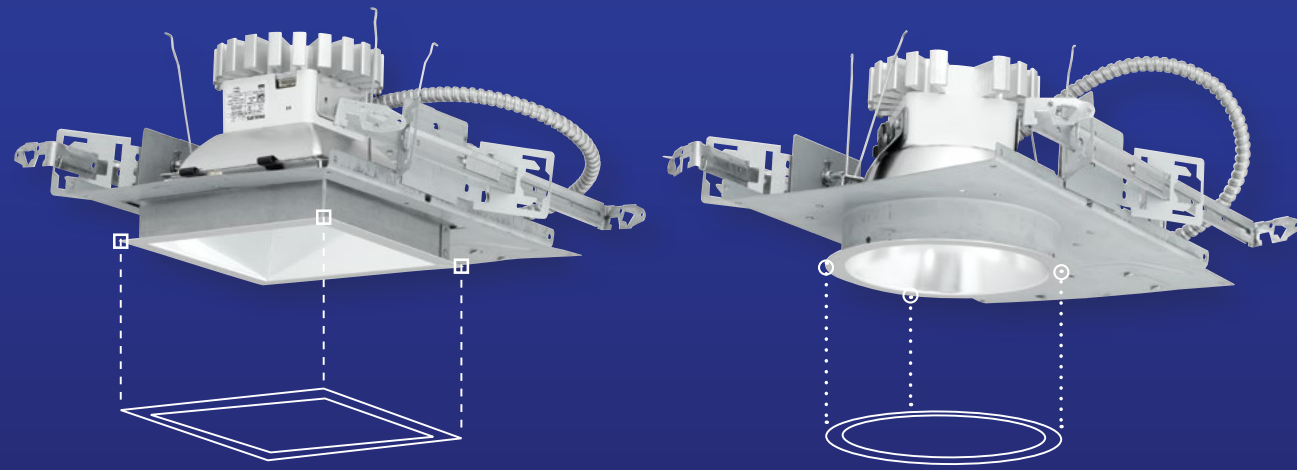
Downlighting built for you

SHAPE

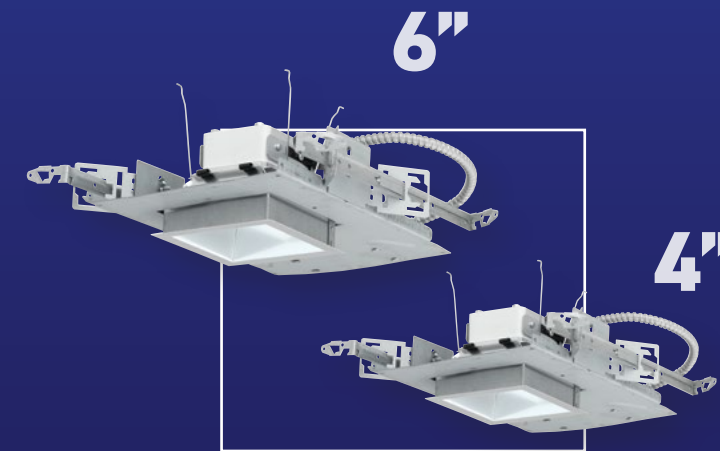
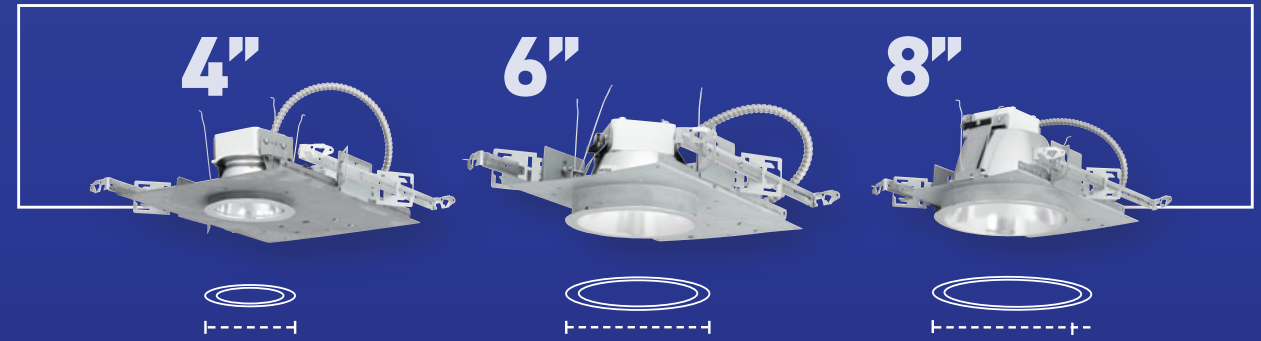
APERTURE

Square and round shape options

Choose the shape that fits the aesthetic of the space without sacrificing quality. Both square and round offer the exceptional performance desired, so every space can be tied together top to bottom and illuminated perfectly.



Aperture options in round and square



Our squares are offered in both 4" and 6" apertures with up to a 3000 Lumen LED module.



LF4SQ

LF4SQ 4" Square Downlight



- Universal 120-277V high efficiency LED driver with 0-10V dimming standard
- Shipped with pre-installed light commercial bar hangers
- Minimum 50,000 hours at 70% lumen maintenance

LF4

LF4 4" Round Downlight



- Universal 120-277V high efficiency LED driver with 0-10V dimming standard
- Over 85+ lumens per watt delivered
- Minimum 50,000 hours at 70% lumen maintenance

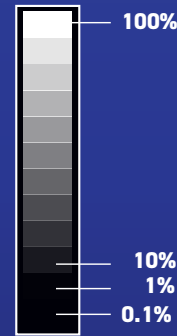
DIMMING OPTIONS



Dimming down to 0.1%

Prescolite offers a host of dimming options to accommodate all applications.

	10% DIMMING	1% DIMMING	0.1% DIMMING	APPLICATION
STANDARD	✓			Schools
EDM		✓		Offices
2DM		✓		Conference Rooms
DM1		✓		Hospitality
DMX			✓	Theatrical

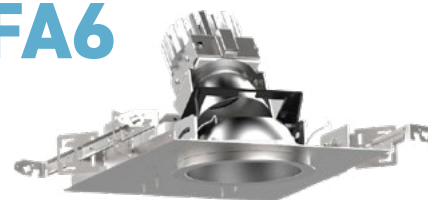


LUMEN OUTPUT



LF6	MAX	MIN
LUMENS	3268	1081
WATTS	32.7W	12.6W
EFFICACY	100	86
LIFE	L70 at 50,000 hrs	L70 at 50,000 hrs

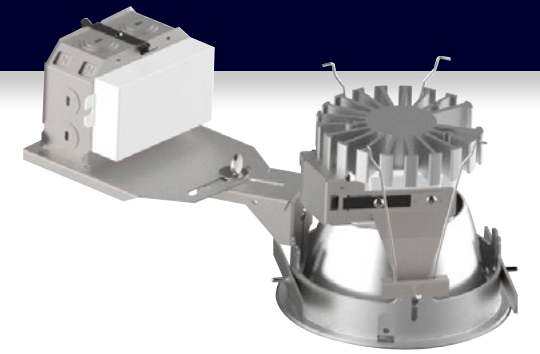
LFA6



LFA6 6" Round Downlight

- All trims feature 35° vertical aiming and 362° rotational aiming
- 77+ lumens per watt delivered
- Glare free optical control

RETROFICIENT



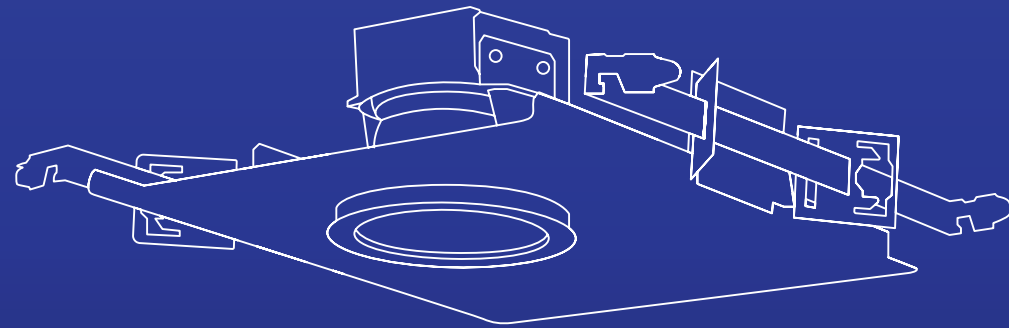
What is Retroficient?

Retroficient® makes it easy to upgrade lighting in existing spaces to our cost effective, energy efficient LiteFrame fixtures. Experience better optical performance without the hassle associated with upgrading.



LF Series Retroficient® LEDs can save you energy, time and money

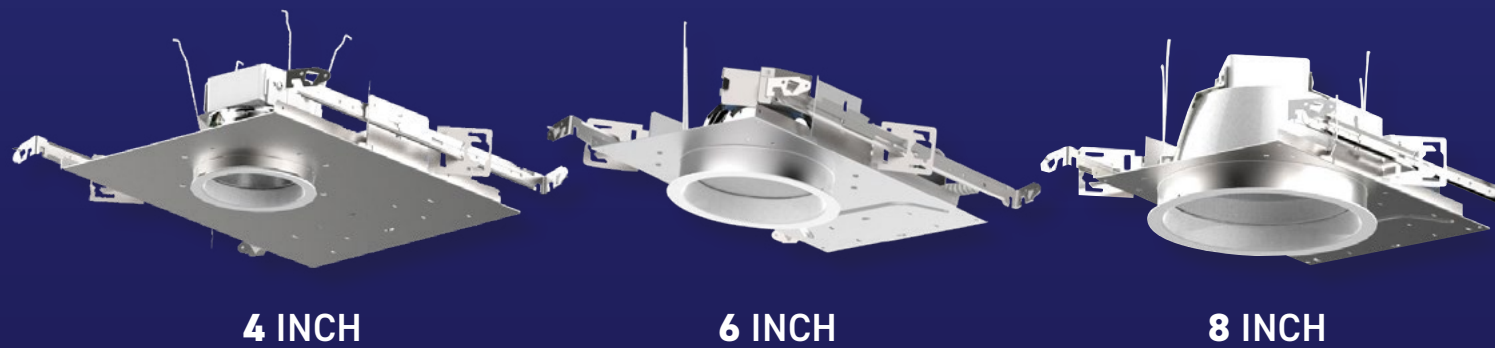
LENSES



Lens Options

Prescolite offers a host of different lensed options in the LF Series product family. Our **recessed**, **flush mount** and **extreme environment** offerings allow our fixtures to be used in most any application.

REGRESSED WNCT WHITE NON-CONDUCTIVE TRIM



4 INCH

6 INCH

8 INCH



Signos Trims

Signos eliminates the need for a separate decorative fixture, as it combines two systems into one, reducing energy requirements as well as initial installation costs.

COLORS & FINISHES

Clear

Pewter

Black

Champagne Gold

Gold

Wheat

Light Wheat

Finish Options

Prescolite includes a wide variety of finish options, from Specular, which creates a crisp quiet ceiling plane, to Softsheen™ and Softglow®, which enhance the aesthetic of the ceiling plane.



Specular



Kurt Versen Specular



Semi-Specular



Kurt Versen Softglow®



American Matte (MFC)



Kurt Versen SoftSheen™



prescolite



kurt versen

Paint Options



White Painted Cone



Black Painted Flange



White Painted Flange



Black Painted Cone

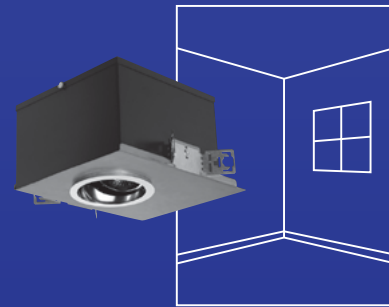
Cone Color Options

We offer an array of anodized and painted cone colors that, with our finish options, will enhance the tone and color within your space.

SPECIAL APPLICATIONS

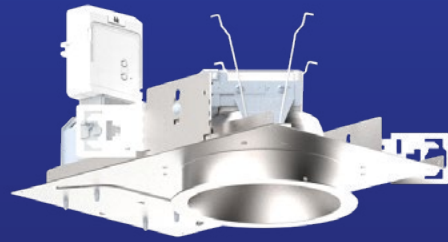
Chicago Plenum

By completely closing off the junction box with proper gasketing, this option meets the necessary requirements to be installed into a Chicago Plenum rated ceiling.



Wireless Controls

Prescolite offers a variety of control options, including wireless controls, that allows the end user more versatility in controlling the lighting in their space.



SpectraSync™ Color Tuning Technology

Control your space based on the needs of the application, specific activities throughout the day and preferences of the occupants with two distinct SpectraSync Color Tuning Technology.

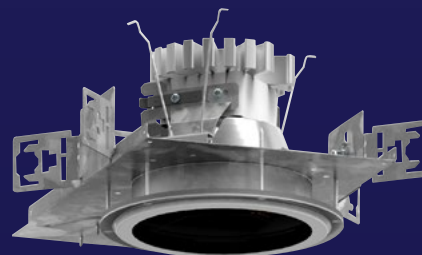


NX Distributed Intelligence™

NX Distributed Intelligence™ supports indoor and outdoor applications, wired, wireless and hybrid networked NX lighting control deployments, and enables emerging applications such as Hubbell Lighting's SpectraSync™ Color Tuning Technology.

IP65 Vandal Resistant

IP65 option withstands water, solid objects, dirt and dust while Vandal Resistant protects against tampering. This makes the LF fixture durable enough to bring superior performance to extreme environments.



LF6SL Open

EXAMPLE: LF6SLDMT 6LFLSL2750T9VS

HOUSING	DRIVER OPTION	HOUSING OPTIONS	TRIM APERTURE	KELVIN	CRI	REF. FINISH OPTIONS	REF. COLOR OPTIONS	REFLECTOR OPTIONS	ACCESSORIES
LF6SL Standard Lumen 0-10V 10% dimming 120-277V	<i>Standard 0-10V 10% Dimming</i> DM1 0-10V dimming at 1% DMT ^{11,12} SpectraSync™ Tunable White DMTW ¹³ SpectraSync™ Tunable Dim to Warm VOLTAGE OPTION <i>Standard 120V-277V</i> 347 347V	EM ^{2,5} Emergency Battery Pack with integral test switch and indicator light EMR ² Emergency Battery Pack with remote test switch and indicator light CP ^{2,4,6,7,14} Chicago Plenum LV ⁹ Lutron Vive Enabled, 0-10V, 120-277V NXWE ^{4,15,16} NX Wireless Enabled NXE ^{4,15,16} NX Enabled, Dual SmartPorts	6LFLSL Semi-Diffuse Clear Alzak OUTPUT 11L 1100 Lumen Module 15L 1500 Lumen Module 20L ¹⁴ 2000 Lumen Module	27K 2700 Kelvin 30K 3000 Kelvin 35K 3500 Kelvin 40K 4000 Kelvin 50K 5000 Kelvin 2230TD ¹⁷ 2200K-3000K SpectraSync™ Dim to Warm 2750T ¹⁷ 2700K-5000K SpectraSync™ Tunable White 2765T ¹⁷ 2700K-6500K SpectraSync™ Tunable White	8 80+ CRI 9 90+ CRI BEAM ANGLE <i>Standard Reflector Nominal 45° cutoff</i> FL35 ¹⁰ Nominal 35° cutoff	<i>Standard Semi-Diffuse</i> SP Specular SS Semi-Specular MFC American Matte™ V Kurt Versen Specular VS Kurt Versen Softglow® VSS Kurt Versen SoftSheen™	<i>Standard Clear Alzak</i> CG Champagne Gold Alzak GD Gold Alzak BL Black Alzak WE Wheat Alzak LW Light Wheat Alzak PW Pewter Alzak WH Painted Matte White Reflector and Flange BC Painted Black Reflector and Flange	EM ^{2,5} Pre-punched reflector for integral switch AM ^{3,10} Antimicrobial coating on clear Alzak reflector only TRIM OPTIONS WT Painted White Flange Only TRG Trim Ring Gasket WF Wide Flange	B24 ⁴ Set of two 24" bar hangers for T-bar ceilings B6 ⁶ Set of two (2) bar hangers for ceiling joist up to 24" centers LFSC6 6" Reflector screw cover LFSC6EM 6" Reflector screw cover for EM SCA6 Sloped ceiling adapter Signos6 Architectural glass elements. Refer to specification sheets ARCH-SIG-001 and -003 LiteGear ⁸ Inverter, single phase central lighting, 125VA-250VA LPS Series ⁹ LitePower micro-inverter, 20VA-55VA

Use with EDM/2DM/DMX dimming option: Match Housing to Trim Output

HOUSING	DRIVER OPTION	HOUSING OPTIONS	TRIM APERTURE	KELVIN	CRI	REF. FINISH OPTIONS	REF. COLOR OPTIONS	REFLECTOR OPTIONS	ACCESSORIES
LF6SL11L LF6SL15L LF6SL20L	EDM ¹ Hi-Lume 1% EcoSystem LED Driver 2DM ¹ Hi-Lume 1% 2-wire LED Driver (120V only) DMX ¹ DMX with RDM dimming to <0.1%	120 120V 277 277V	LVE (EDM Only) Lutron Vive Enabled, EcoSystem *EDM, 2DM & DMX also available with EMR and WW						

NOTES

- For EDM, 2DM, DMX and LVE options, housing output must match trim output
- Not available with 347V
- Clear Alzak standard. Consult factory for other colors
- Not available with EMR, EM, LV or LVE
- EM option required on both housing and trim
- Bar hanger accessory should be selected with CP housing, not included as standard
- Not available with DMX
- See Central Inverter compatibility note and web links on spec sheet
- LV requires standard dimming or DM1
- Not available with EM
- Must select either 2750T or 2765T Kelvin with DMT driver option
- Not available with LV or LVE
- Must select either 2230TD with DMTW driver option
- Not available with DMT or DMTW
- Not available with CP option
- Not available with EDM, 2DM or DMX
- Only available in 90+ CRI

LF6SL Lens

EXAMPLE: LF6SLDM1 6LFLSL15L35K8WT

HOUSING	DRIVER OPTION	HOUSING OPTIONS	TRIM APERTURE	KELVIN	CRI	REF. COLOR OPTIONS	REFLECTOR OPTIONS	TRIM OPTIONS	ACCESSORIES
LF6SL Standard Lumen 0-10V 10% dimming 120-277V	<i>Standard 0-10V 10% Dimming</i> DM1 0-10V dimming at 1% DMT ^{14,15} SpectraSync™ Tunable White DMTW ¹⁶ SpectraSync™ Tunable Dim to Warm VOLTAGE OPTION <i>Standard 120V-277V</i> 347 347V	EMR ² Emergency Battery Pack with remote test switch and indicator light CP ^{2,3,4,5,15,17} Chicago Plenum LV ¹² Lutron Vive Enabled, 0-10V, 120-277V NXWE ^{3,15,18,19} NX Wireless Enabled NXE ^{3,15,18,19} NX Enabled, Dual SmartPorts <i>Standard</i>	6LFLSL Semi-Diffuse Clear Alzak OUTPUT 11L 1100 Lumen Module 15L 1500 Lumen Module 20L ¹⁷ 2000 Lumen Module	27K 2700 Kelvin 30K 3000 Kelvin 35K 3500 Kelvin 40K 4000 Kelvin 50K 5000 Kelvin 2230TD ²⁰ 2200K-3000K SpectraSync™ Dim to Warm 2750T ²⁰ 2700K-5000K SpectraSync™ Tunable White 2765T ²⁰ 2700K-6500K SpectraSync™ Tunable White	8 80+ CRI 9 90+ CRI REF. FINISH OPTIONS <i>Standard Semi-Diffuse</i> SP Specular SS Semi-Specular MFC American Matte™ V Kurt Versen Specular VS Kurt Versen Softglow® VSS Kurt Versen SoftSheen™	<i>Standard Clear Alzak</i> CG Champagne Gold Alzak GD Gold Alzak BL Black Alzak WE Wheat Alzak LW Light Wheat Alzak PW Pewter Alzak WH Painted Matte White Reflector and Flange BC Painted Black Reflector and Flange	FLU ^{9,10} Flush Mount (Brushed Aluminum Flange Standard) IP65 ^{7,10,11} Flush Lens, Dust and Water Tight to IP65 VR ^{7,10,11} Vandal Resistant	WT Painted White Flange Only TRG Trim Ring Gasket WF ¹⁰ Wide Flange BNCT ^{9,13} Black Non-conductive Trim WNCT ^{9,13} White Non-conductive Trim BNCTB ^{9,13} Black Non-conductive Trim Baffled WNCTB ^{9,13} White Non-conductive Trim Baffled LENS CL ⁸ Clear Lens (Regressed Standard) DL ⁸ Diffuse Lens (Regressed Standard)	B24 ⁴ Set of two 24" bar hangers for T-bar ceilings B6 ⁶ Set of two (2) bar hangers for ceiling joist up to 24" centers LFSC6 6" Reflector screw cover SCA6 Sloped ceiling adapter LiteGear ⁸ Inverter, single phase central lighting, 125VA-250VA LPS Series ⁹ LitePower micro-inverter, 20VA-55VA

Use with EDM/2DM/DMX dimming option: Match Housing to Trim Output

HOUSING	DRIVER OPTION	HOUSING OPTIONS	TRIM APERTURE	KELVIN	CRI	REF. FINISH OPTIONS	REF. COLOR OPTIONS	REFLECTOR OPTIONS	ACCESSORIES
LF6SL11L LF6SL15L LF6SL20L	EDM ¹ Hi-Lume 1% EcoSystem LED Driver 2DM ¹ Hi-Lume 1% 2-wire LED Driver (120V only) DMX ¹ DMX with RDM dimming to <0.1%	LVE (EDM Only) Lutron Vive Enabled, EcoSystem *EDM, 2DM & DMX also available with EMR and WW							

NOTES

- For EDM, 2DM, DMX and LVE options, housing output must match trim output
- Not available with 347V
- Not available with EMR
- Bar hanger accessory should be selected with CP housing, not included as standard
- Not available with DMX
- See Central Inverter compatibility note and web links on spec sheet
- IP65 and VR can not be chosen together
- Not available with IP65 or VR
- Not available with color/finish options. Semi-Diffuse finish only.
- Not available with BNCT, WNCT, BNCTB, or WNCTB.
- Not available with FLU
- LV requires standard dimming or DM1
- Must select CL or DL
- Must select either 2750T or 2765T Kelvin with DMT driver option
- Not available with LV or LVE
- Must select 2230TD with DMTW driver option
- Not compatible with DMT or DMTW
- Not available with CP option
- Not available with EDM, 2DM or DMX
- Only available in 90+ CRI

See prescolite.com for all other LF Series ordering information.



- ALERA LIGHTING
- ARCHITECTURAL AREA LIGHTING
- BEACON PRODUCTS
- COLUMBIA LIGHTING
- COMPASS
- DUAL-LITE
- HUBBELL CONTROL SOLUTIONS
- HUBBELL INDUSTRIAL LIGHTING
- HUBBELL OUTDOOR LIGHTING
- KIM LIGHTING
- KURT VERSEN
- LITECONTROL
- PRESCOLITE



701 Millennium Blvd. Greenville, SC 29607
Tel 864.678.1000
www.prescolite.com

PR1096 01/19

Copyright © 2019 Prescolite, a division of Hubbell Lighting, Inc. All rights reserved. Please refer to online specifications for most up-to-date content as specifications are subject to change without notice.