


LITEFRAME[®]

2.0



 prescolite

 **HUBBELL**
Lighting

RETAIL



OFFICE



HEALTHCARE



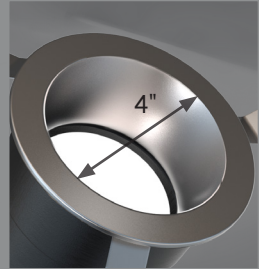
EDUCATION



- Breadth of solutions
- Flexible installation
- Reliable performance

LiteFrame 2.0 provides a balance between product options and performance while keeping it simple to select and flexible to use.

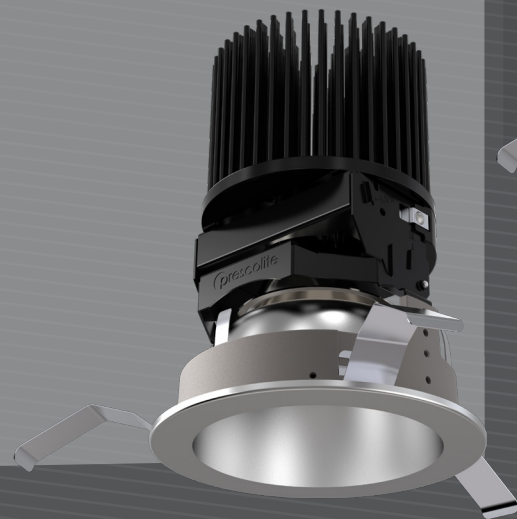




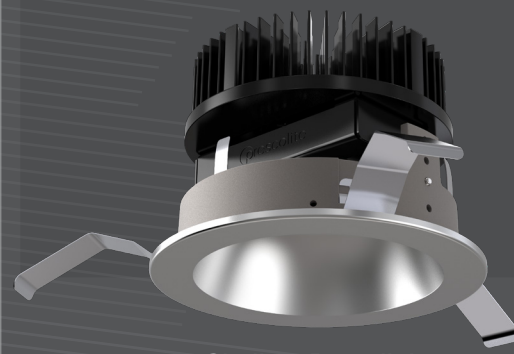
BREATH
OF SOLUTIONS

Options to address varied application needs

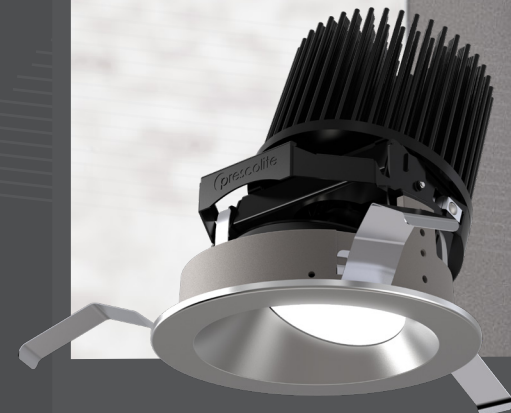
- 4"/6" round aperture luminaires with spun anodized reflectors
- Consistent optical and LED performance
- Multiple beam distributions to accommodate fixture spacing and mounting heights.



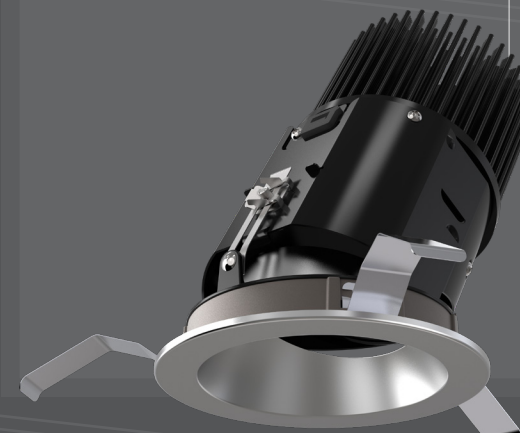
Downlight



Shallow Downlight



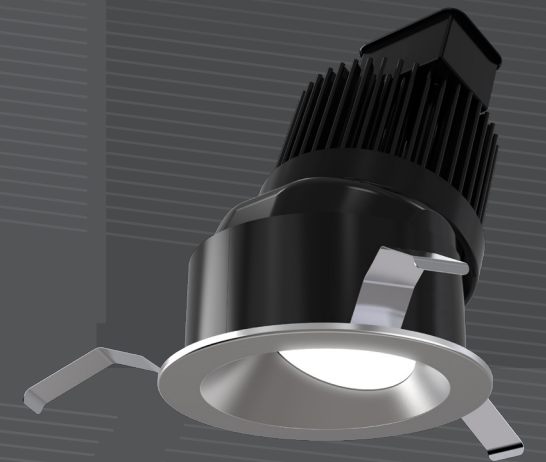
Lensed Wall Wash



Adjustable



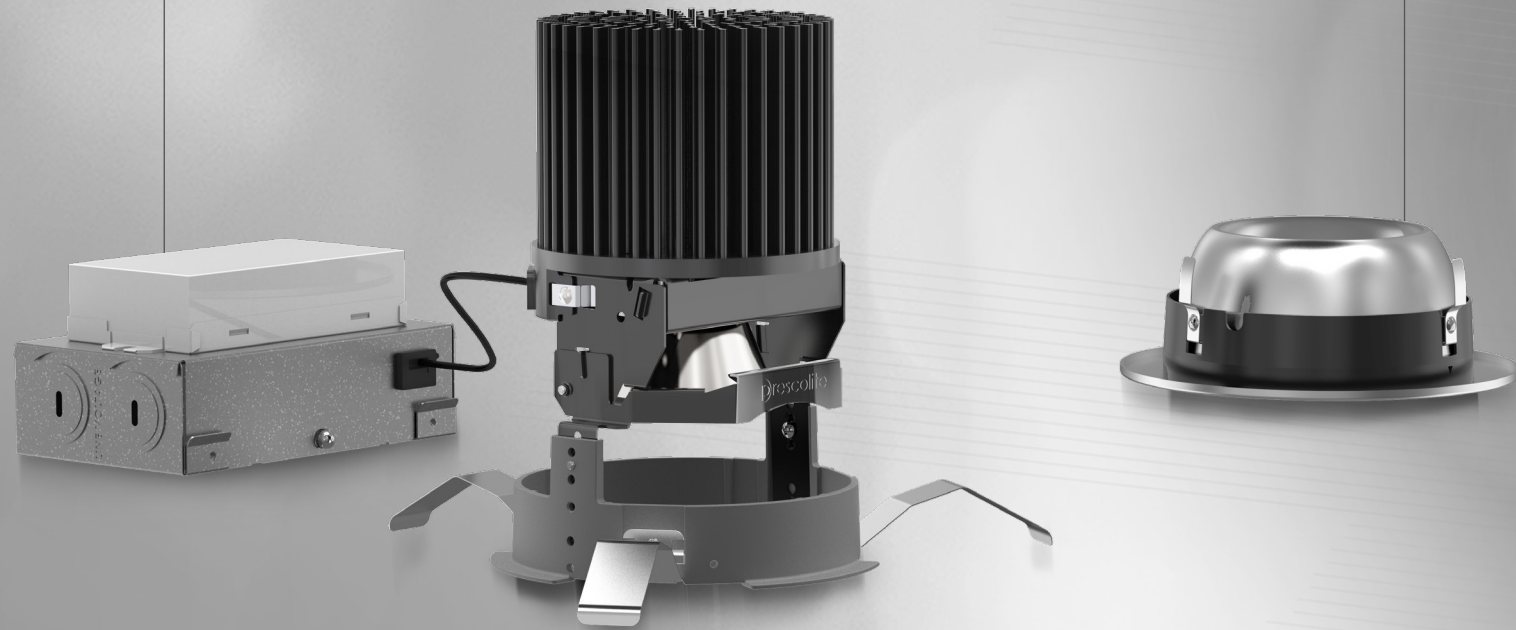
Chicago Plenum Downlight



Chicago Plenum Lensed Wall Wash

in its
simplest
form

fixture module + snap-in trim



INSTALL
FLEXIBILITY

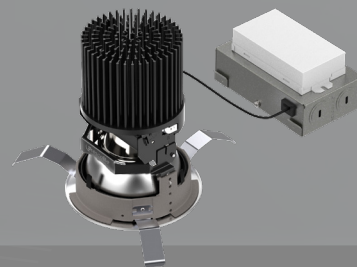
LiteFrame 2.0 is structured to simplify selection and installation while providing options for use.

making it **simple**
to specify and install

- Every solution can be direct install – eliminating the need for a plaster frame or housing.
- Plaster frames and housings are available if a more traditional method of installation is preferred.
- Driver J-Box includes snap-on feature making installation fast and easy.

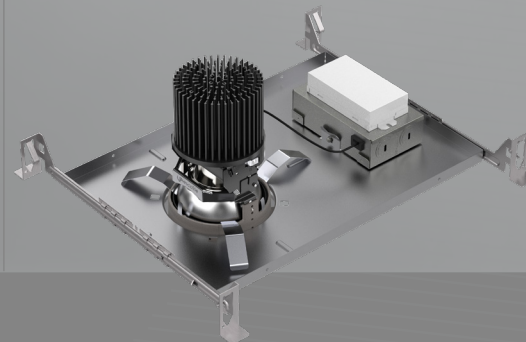
DIRECT INSTALL

The easiest solution for installing in Non-IC new construction or remodel applications.



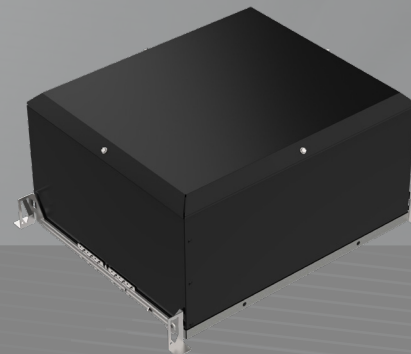
TRADITIONAL NON-IC

The Non-IC plaster frame provides rough-in positioning. The Fixture Module's snap-on J-Box assembly can be installed with the frame or afterwards as part of the Fixture Module install.



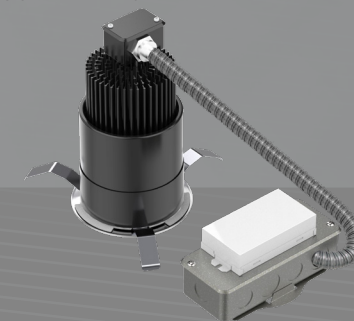
IC CONSTRUCTION

The IC housing provides separation of ceiling insulation from the Fixture Module.



CHICAGO PLENUM

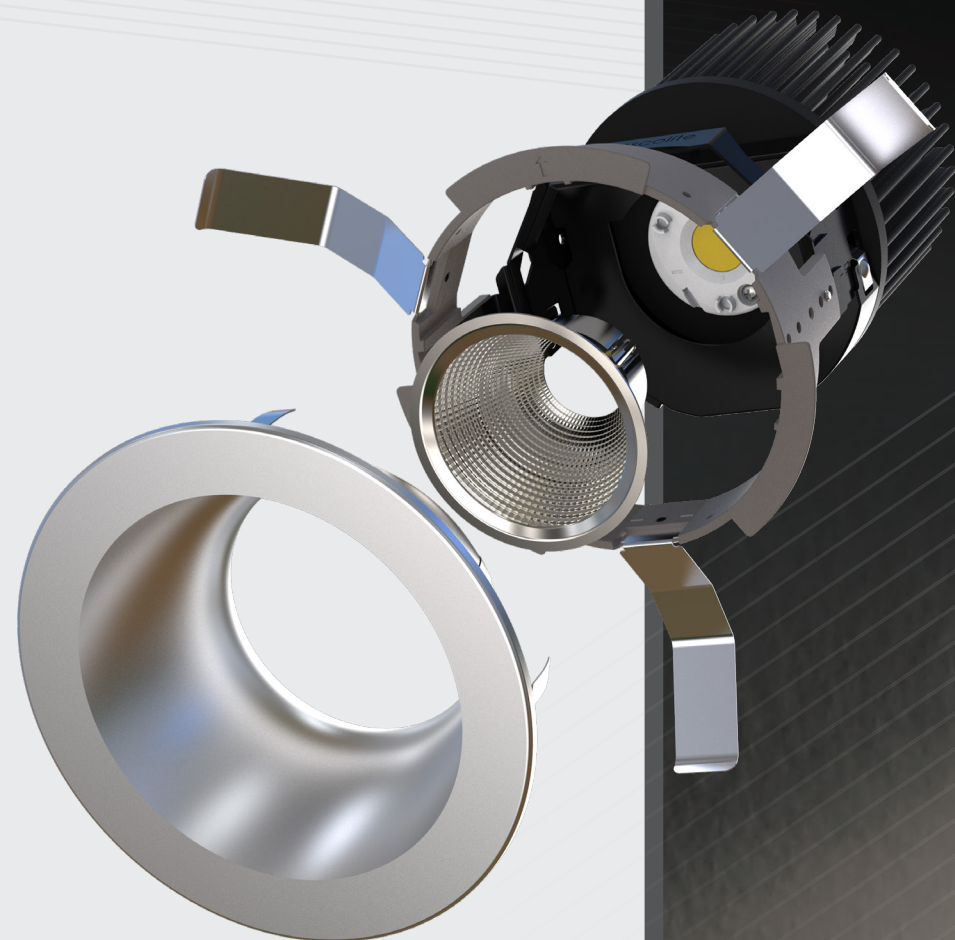
An integrated shroud seals the Fixture Module for use in Chicago Plenum ceilings eliminating the need for a full housing. Can be used as a Direct Install or with the Non-IC plaster frame. (Adjustable Downlights require the full housing for these applications.)



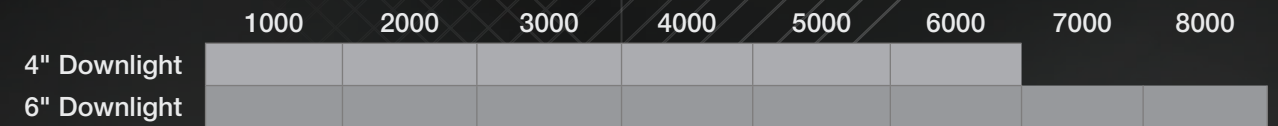
OPTICAL

PERFORMANCE

- Delivered lumen outputs up to 8000 lumens with good cutoff and glare control.
- Unitized optical design ensures consistent positioning of the optic to the ceiling plane.
- Downlight efficacy > 120 LPW.



DELIVERED LUMENS

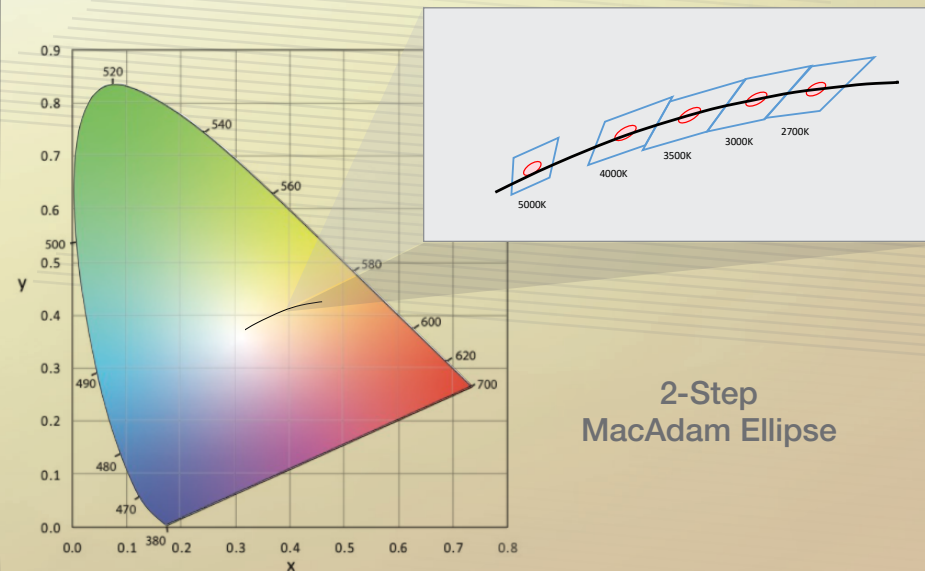


DOWNLIGHT PERFORMANCE DATA

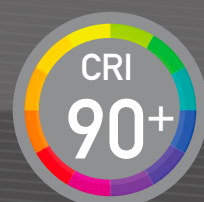
		VERY NARROW (VNR)	NARROW (NR)	MEDIUM (MD)	WIDE (WD)	EXTRA WIDE (XW)
4"	Beam Angle	15°	26°	34°	49°	66°
	Spacing Criteria	0.2	0.3	0.5	0.7	1.0
	Efficacy	126	130	127	126	121
6"	Beam Angle	17°	25°	38°	46°	63°
	Spacing Criteria	0.3	0.4	0.6	0.7	1.0
	Efficacy	138	141	139	131	138

Note: There are two optional lenses that can be used to modify the beam distribution.
 - SFL4 and SFL6 lens options provide a softening of the beam pattern
 - WAL4 and WAL6 lens options convert the XW distribution to a 77° distribution

COLOR
PERFORMANCE



2-Step
MacAdam Ellipse

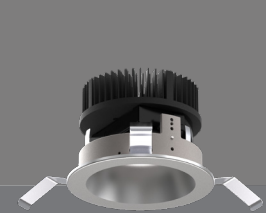


PRODUCT OFFERING

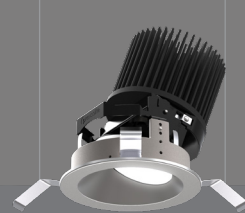
DOWNLIGHT



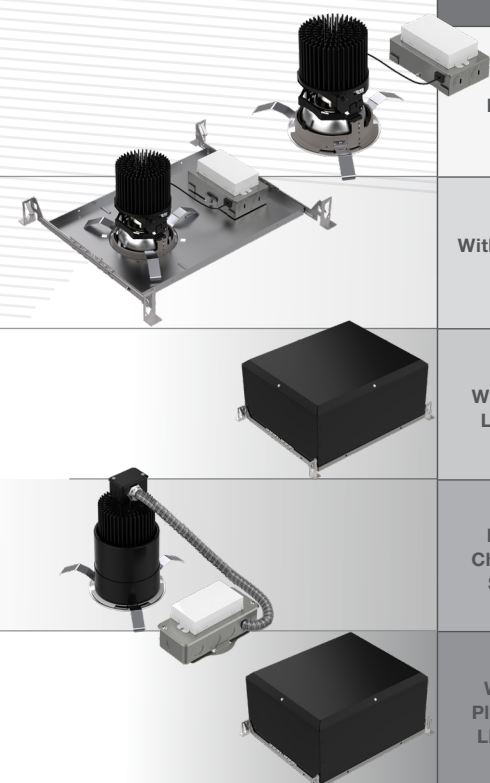
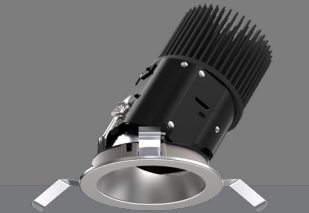
SHALLOW DOWNLIGHT



WALL WASH



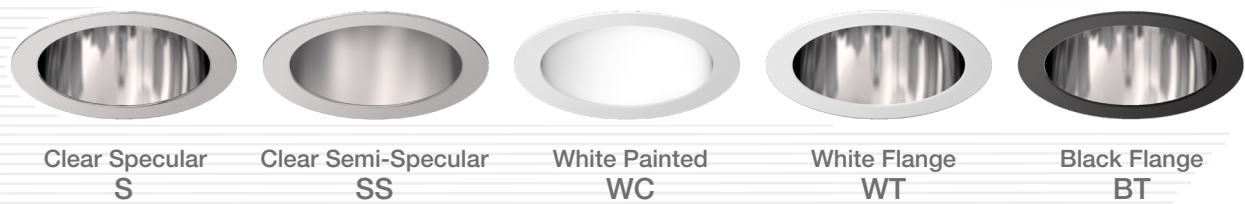
ADJUSTABLE



Installation	Application		Non-IC/IC		Aperture	Downlight					Shallow Downlight				Lens Wall Wash	Adjustable			
	New Construction	Remodel	Non-IC	IC		Very Narrow	Narrow	Medium	Wide	Extra Wide	Very Narrow	Narrow	Medium	Wide		Very Narrow	Narrow	Medium	Wide
Direct Install	●	●	●		4"	●	●	●	●	●	●	●	●	●	●	●	●	●	
					6"	6000 lm max					3000 lm max				6000 lm max				
With Non-IC Frame LFR_RD-H	●		●		4"	●	●	●	●	●	●	●	●	●	●	●	●	●	
					6"	8000 lm max					3000 lm max				8000 lm max				
With IC Housing LFR_RD-H-IC	●		●	●	4"	●	●	●	●	●	●	●	●	●	●	●	●	●	
					6"	3500 lm max					3000 lm max				3500 lm max				
Direct Install Chicago Plenum Shroud (-CP)	●	●	●		4"	●	●	●	●	●	●	●	●	●	●				
					6"	4000 lm max					3000 lm max				4000 lm max				
With Chicago Plenum Housing LFR_RD-H-CP	●		●		4"											●	●	●	
					6"											3500 lm max			
																4000 lm max			

REFLECTOR

Finish/Colors



Maximum Delivered Lumen values are nominal for DM1 driver. Output may vary with driver selection and other configuration options. See Specification Sheets for complete details.

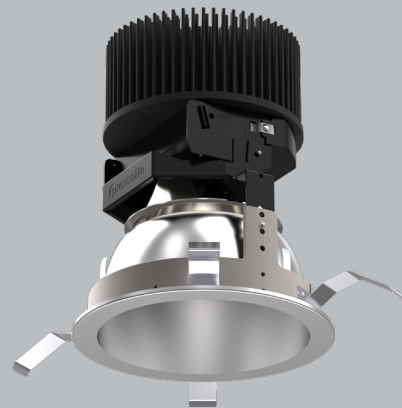
DOWNLIGHTS

- Provides general illumination while minimizing aperture brightness.
- Multiple beam distributions allow fixture spacing based on ceiling heights and desired illumination levels.
- Open and regressed lensed trim options.

LFR-4RD
1000-6000 lm
15° to 66°



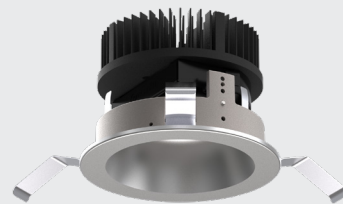
LFR-6RD
1000-8000 lm
17° to 63°



SHALLOW DOWNLIGHTS

- Provides general illumination while minimizing overall fixture height.
- Ideal solution when plenum space is limited.
- Like the Downlight, multiple beam distributions are available.

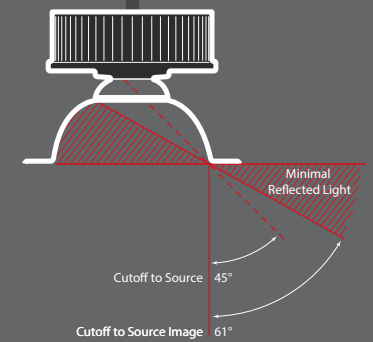
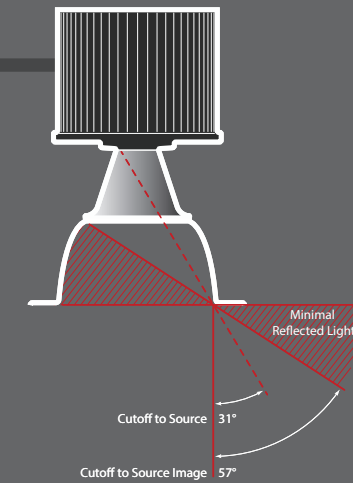
LFR-4RDS
1000-3000 lm
19° to 54°



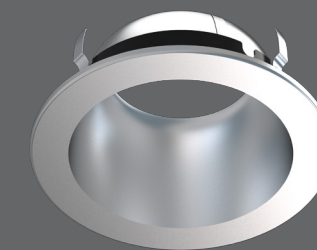
LFR-6RDS
1000-3000 lm
19° to 53°



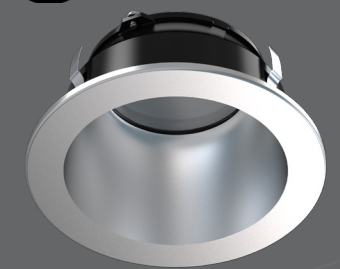
VISUAL CUTOFF



STANDARD VS. LENSED TRIM



Open Trim
(Standard)

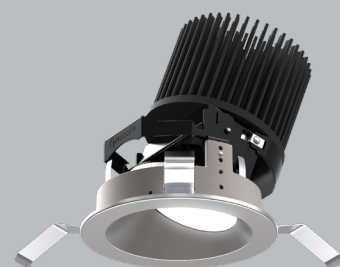


Regressed Lensed Trim
(CL Option)

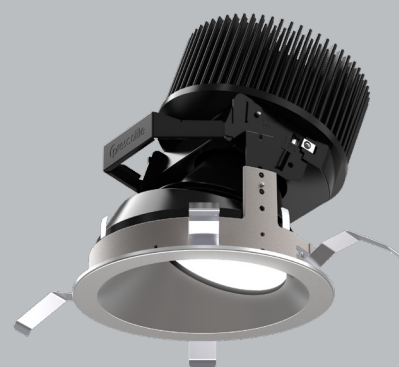
LENSED WALL WASH

- Delivers uniform illumination of vertical surfaces.
- Enhances spatial feel of the environment.
- Suitable for wet locations under covered ceilings.

LFR-4RW
1000-6000 lm



LFR-6RW
1000-8000 lm



ADJUSTABLE

- Flexible accent lighting to create visual interest.
- Up to 40° vertical and 362° horizontal adjustment.
- Multiple beam distributions.

LFR-4RA
1000-6000 lm
15° to 48°



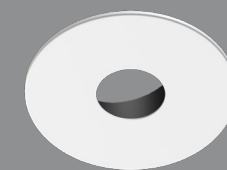
LFR-6RA
1000-8000 lm
17° to 45°



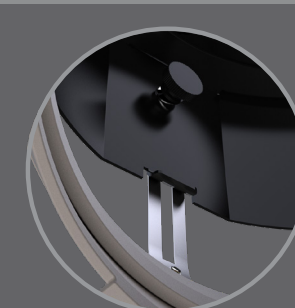
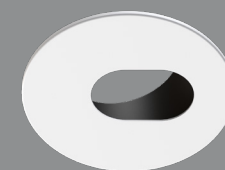
Standard Cut Cone



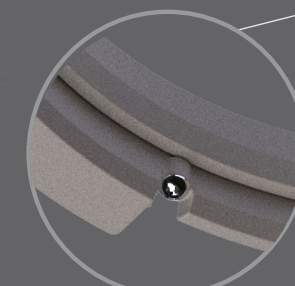
Pin Hole



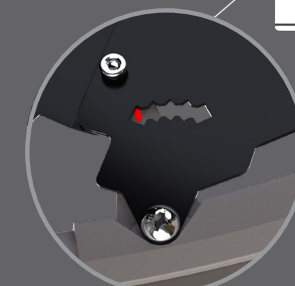
Slot



Vertical Adjustment
Locking Thumb Screw



Horizontal
Adjustment



Vertical Angle
Indicator

EMERGENCY OPTIONS

Integral Emergency (EM)

Battery pack and test switch with indicator light integrally mounted to plaster frame



All emergency housing options and accessories provide path of egress lighting for a minimum of 90 minutes and are UL 924 compliant.

ACCESSORIES

LPS Series Micro-Inverter 20VA/ 55VA

Use with multiple standard LiteFrame 2.0 fixtures from 20W



Litegear Central Inverters 125A/ 250VA

Ideal for larger applications and load from 110W through 220W.



Contact your local Hubbell representative for any assistance with proper sizing and loading of your inverter selection.

Remote Emergency (EMR)

Battery pack mounts to plaster frame or housing. Remote test switch plate/indicator light assembly can be mounted up to 50 ft. away.

Device Transfer Switch (DTS)

Control relay device mounts to J-box and connects auxiliary generator or inverter. Senses loss of normal power and bypasses switch position and dimmer settings to provide full lumen output under emergency power. DTS listed to UL 1008 Transfer Switch Standard.

DIMMING

LiteFrame 2.0 offers a wide variety of protocol options for smooth, continuous dimming and hassle-free system compatibility.

Dimming

Protocol	Level	Option
0-10V	1%	DM1
	<1%	DM01
DALI	1%	DALI
DMX	<0.1%	DMX
Lutron HiLume Forward Phase	1%	2DM
Lutron HiLume EcoSystem	1%	EDM
Triac/ELV	5%	PDM



CONTROL OPTIONS

NX DISTRIBUTED INTELLIGENCE

LiteFrame 2.0 NX wired or wireless luminaire-integrated control options allow easy connection to other intelligent devices within Hubbell Control Solutions NX Distributed Intelligence lighting control platform for nearly unlimited control possibilities.



See Hubbell Control Solutions NX Brochures and Solution Guides for additional details.

FAMILY OVERVIEW

APERTURE / SHAPE	4" Round		6" Round								
FUNCTION	Downlight	Shallow Downlight	Lensed Wall Wash	Adjustable							
APPLICATIONS	New Construction		Remodel								
DELIVERED LUMENS (Nominal)	1000	1500	2000	2500	3000	3500	4000	5000	6000	7000	8000
BEAM DISTRIBUTIONS	Very Narrow 15/17°	Narrow 26/25°	Medium 34/38°	Wide 49/46°	Extra Wide 66/63°						
COLOR TEMPERATURE	2700K	3000K	3500K	4000K	5000K						
COLOR RENDERING	80+ CRI		90+ CRI								
COLOR CONSISTENCY	2-Step MacAdam Ellipse (2 SDCM)										
DIMMING PROTOCOLS	0-10V	Triac/ELV	DALI	DMX							
	Lutron Forward Phase		Lutron EcoSystem								
CONTROLS	NX Distributed Intelligence™										
INPUT VOLTAGE	120-277V		347V								
EMERGENCY OPTIONS	Integral (EM)	Remote (EMR)	Device Transfer Switch								
LENS OPTIONS (Downlight)	Clear Lens	Wide Angle Lens Accessory	Soft Focus Lens Accessory								
REFLECTOR FINISH / COLORS	Specular	Semi-Specular	White Painted Cone & Flange								
FLANGE OPTIONS	Standard (matches finish)		White	Black							
ENVIRONMENTAL	Damp:	Standard Downlights		Adjustables							
	Wet:	Lensed Wall Wash	Downlights with CL Lensed Trim								
CERTIFICATIONS	cCSAus UL1598	IC Rated (IC)	Chicago Plenum (CP)	UL 924 (EM/EMR)							
PROJECTED LIFE (TM-21)	L80 > 50,000 hours										
WARRANTY	5-year warranty										



Need it Quick?

See a complete list of LiteFrame 2.0 stock items ready to ship



ARCHITECTURAL AREA LIGHTING

BEACON PRODUCTS

COLUMBIA LIGHTING

COMPASS

DUAL-LITE

HUBBELL CONTROL SOLUTIONS

HUBBELL OUTDOOR LIGHTING

KIM LIGHTING

KURT VERSEN

LITECONTROL

PRESCOLITE



701 Millennium Blvd. Greenville, SC 29607

Tel 864.678.1000

www.prescolite.com

LiteFrame PRE18000135 09/15/21 Edition 1

Copyright © 2021 Prescolite, a division of Hubbell Lighting, Inc. All rights reserved. Please refer to online specifications for most up-to-date content as specifications are subject to change without notice.