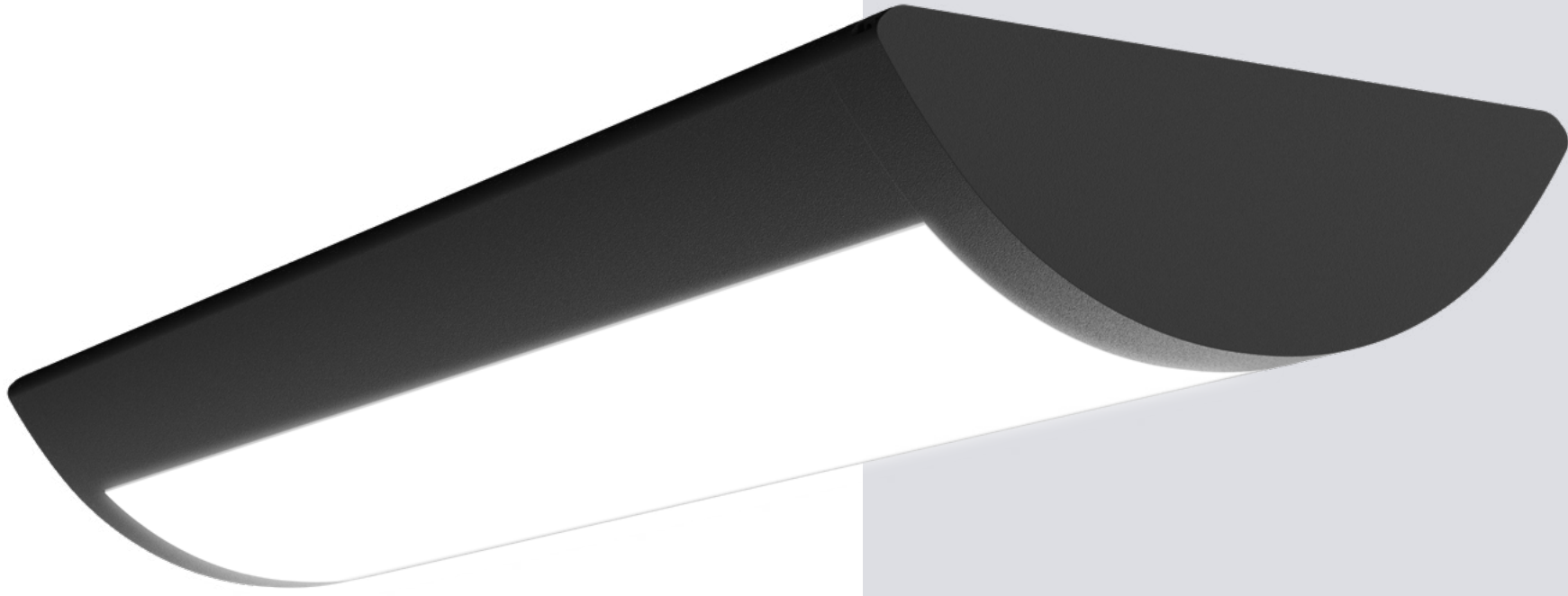




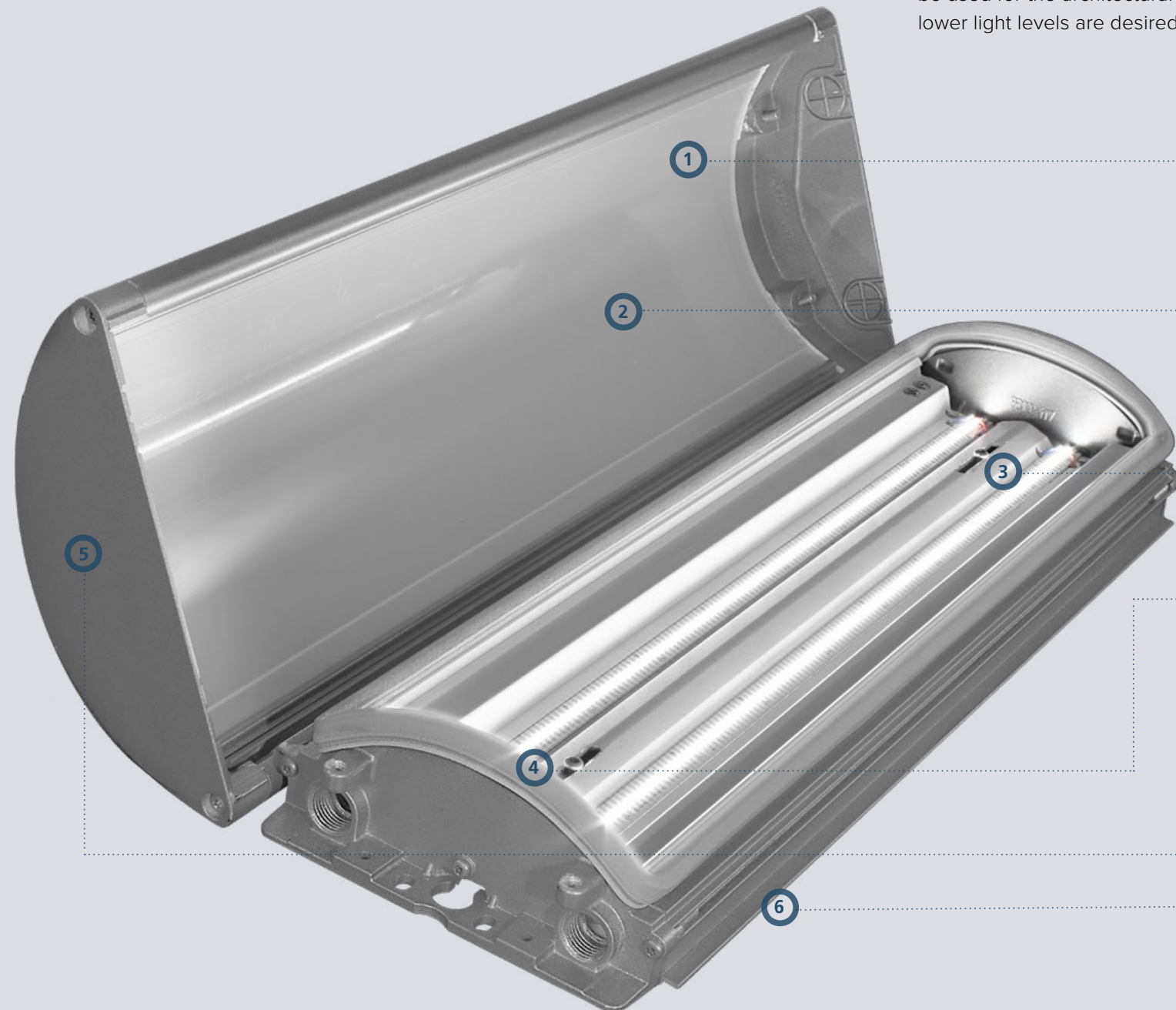
PREVENT LINEAR

Vandal Resistant Luminaire



ENGINEERED EXCELLENCE

Prevent Linear's innovative design delivers a custom tailored solution for your project. The end caps can be reconfigured to create nearly seamless continuous illuminated runs. An unlit blank section can also be used for the architectural aesthetics of a continuous run where lower light levels are desired.



1 High impact, UV resistant polycarbonate lens

2 Hidden hinge door frame provides convenient access for installation and maintenance

3 LED light engine and high performance lens provide even illumination across surfaces

4 IP66 rated body with form fitted silicone gasket to prevent water and dust ingress

5 Captive end cap with recessed tamper resistant stainless steel hardware

6 Low copper aluminum housing

PREVENT

The Prevent Linear vandal resistant luminaire is built for high abuse applications. Prevent Linear combines an architectural aesthetic with a tamper resistant durable enclosure, high impact, polycarbonate lens and high-performance optical system for environments requiring a high degree of protection.



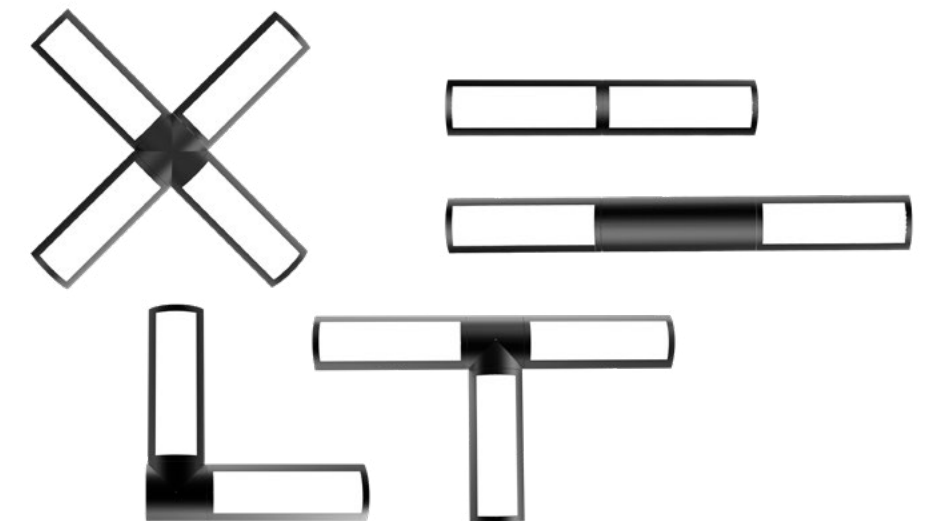
MOUNTING & CONNECTION OPTIONS

Prevent Linear can be flush mounted to walls or the ceiling or suspended from the ceiling with the pendant option.



MOUNTING
 PENDANT MOUNT
 CEILING MOUNT
 WALL MOUNT

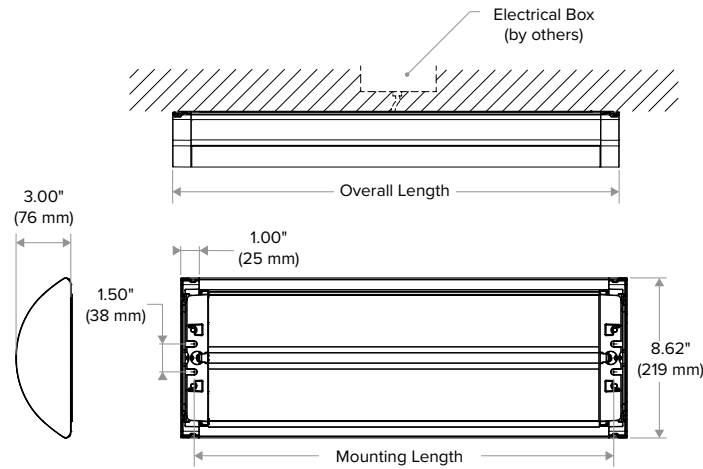
“I”, “T”, “L” and “X” connectors can create custom shapes to follow and highlight architectural detail. Architectural banding adds a decorative touch while providing extra protection for the luminaire.



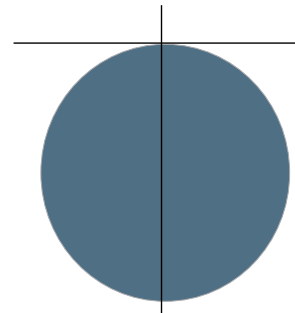
Decorative Band (B) Option with Captive Endcap (C)

PERFORMANCE

DIMENSIONS



DISTRIBUTION



KEY DATA	
LUMEN RANGE	1,800 – 12,600
WATTAGE RANGE	10 – 90
EFFICACY RANGE (LPW)	111.8 – 157.6
RATED LIFE (HOURS)	L70/60,000

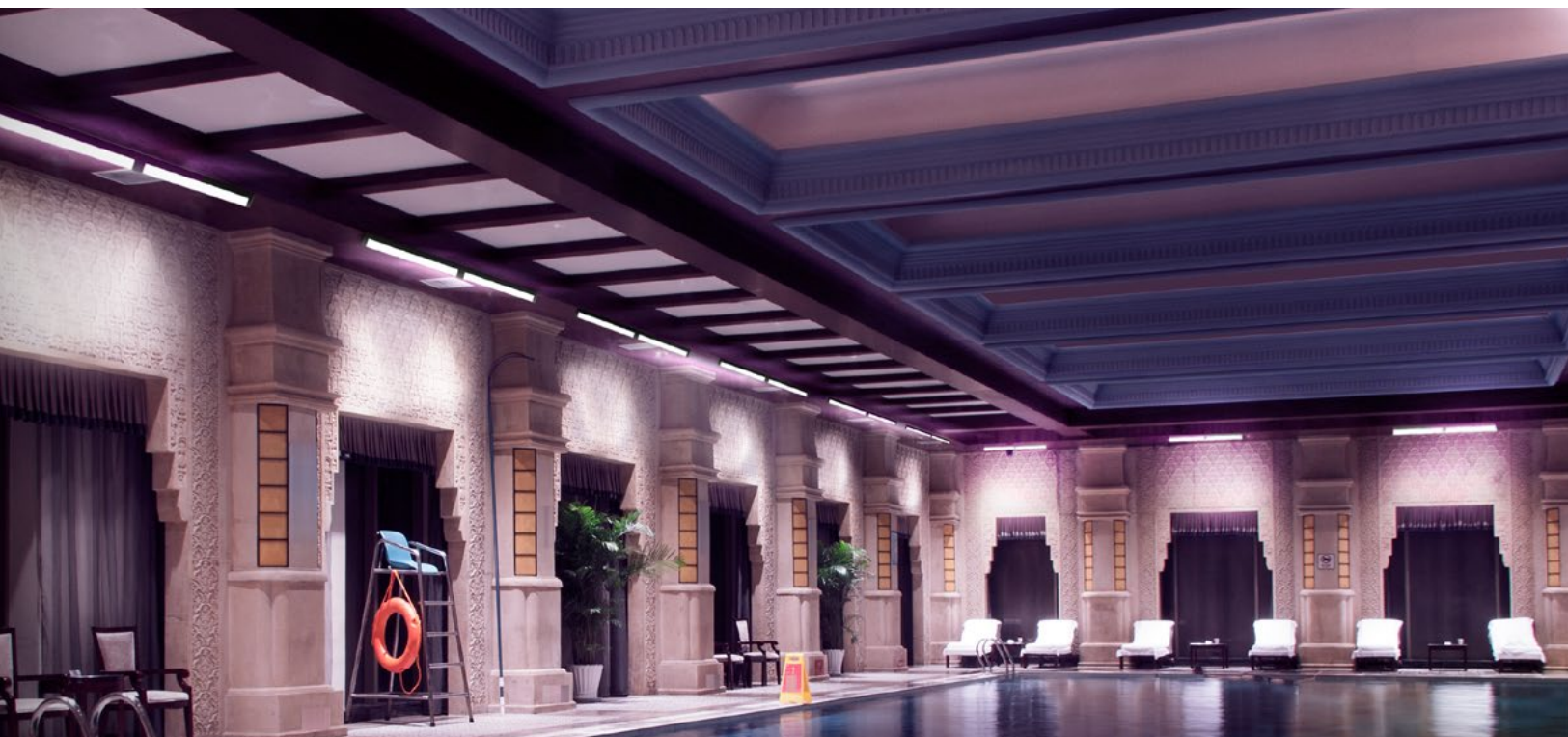
ORDERING GUIDE

Example: PVNT-4-4-35-30K8-NDM-UNV-C-WHT-TR-NXWE

CATALOG #

HOUSING

PVNT Housing	Row Length (In Feet) ¹⁰	Length ¹⁰	Wattage/Lumen Output	SOURCE/CCT	Banding	Driver
PVNT Prevent Linear	' Enter in foot increments	1 1' 2 2' 3 3' 4 4'	PVNT1 (1') 10 10W / 1,800 lm nominal 15 15W / 2,500 lm nominal PVNT2 (2') 15 10W / 2,600 lm nominal 25 25W / 3,800 lm nominal 40 40W / 5,700 lm nominal PVNT3 (3') 25 25W / 4,000 lm nominal 45 45W / 6,700 lm nominal 65 65W / 9,500 lm nominal PVNT4 (4') 35 35W / 5,300 lm nominal 55 55W / 7,700 lm nominal 70 70W / 10,100 lm nominal 90 90W / 12,600 lm nominal	White LED 27K8 2700 K 80 CRI Ra min 27K9 2700 K 90 CRI Ra /50R9 min 30K8 3000 K 80 CRI Ra min 30K9 3000 K 90 CRI Ra /50R9 min 35K8 3500 K 80 CRI Ra min 35K9 3500 K 90 CRI Ra /50R9 min 40K8 4000 K 80 CRI Ra min 40K9 4000 K 90 CRI Ra /50R9 min 50K8 5000 K 80 CRI Ra min 50K9 5000 K 90 CRI Ra /50R9 min SpectraSync⁴ SS2750T8 SpectraSync 2700K-5000K 80 CRI SS2750T9 SpectraSync 2700K-5000K 90 CRI SS2765T8 SpectraSync 2700K-6500K 80 CRI SS2765T9 SpectraSync 2700K-6500K 90 CRI	Blank No Banding B Banding	DO1 1% Dimming, 0-10V ⁹ DO0 1% Dim-to-Off, 0-10V DO5 5% Dimming, 0-10V DS1 1% Dimming w/ Soft Start, 0-10V DSO 1% Dim-to-Off w/ Soft Start, 0-10V ⁹ NDM Non-Dimming



Voltage	End Caps	Application	Color	Options	Control Options
UNV 120-277V 347 347V 480 480V	C Captive endcap with recessed tamper resistant fasteners D Decorative endcap - concealed fasteners	Blank Standard NA Natatorium	BLS Black Gloss Smooth BLT Black Matte Textured DBS Dark Bronze Gloss Smooth DBT Dark Bronze Matte Textured GTT Graphite Matte Textured LGS Light Gray Smooth PSS Platinum Silver Smooth WHS White Gloss Smooth WHT White Matte Textured VGS Verde Green Smooth LEG Legacy Color CC Custom Color ³	TR Tamper Resistant Stainless Steel Fasteners Electrical DSW Dual Circuit Wiring (for dual switches) EM 10W battery ^{5,6} DTS Dimming Bypass Module for emergency power circuit ⁶ SF Single Fuse for 120 or 277V DF Double Fuse for 208, 240, or 480V	Integrated Sensor Controls OCM Occupancy Sensor Microwave - Integrated ⁷ Integrated NX Networked - Wireless NXWE NX hubbNET Wireless Radio Module, without Sensor ¹³ NXOSW NX hubbNET Wireless Radio Module and Integral NXSM-OMNI PIR Occupancy Sensor with Automatic Dimming Photocell and Bluetooth Programming



Control your space based on the needs of the application, specific activities throughout the day and preferences of the occupants with SpectraSync™ Color Tuning Technologies:



Tunable White
Offers you the ability to tailor correlated color temperature (CCT) to your personal preference.

Configuration Accessories ACC-O	
TMLPT-CMT PVNT	Mounting template
PVNTI (YY)†	I connector for continuous run ^{2,11}
PVNTL (YY)†	L connector for continuous run ^{2,12}
PVNTT (YY)†	T connector for continuous run ^{2,12}
PVNTX (YY)†	X connector for continuous run ^{2,12}
PVNTCEN (YY)†	Center piece connector unlit ^{2,8,12}
PVNTCM (YY)†	Corner Mount ²
	†YY = Paint color

Mounting Options	
SS12(YY)†	12" Pendant with 45° swivel, 2 pcs included
SS24(YY)†	24" Pendant with 45° swivel, 2 pcs included
SS36(YY)†	36" Pendant with 45° swivel, 2 pcs included
SS (XX) (YY)†	Pendant with Swivel (XX = length up to 48", 2 pcs included ¹)
	†YY = Paint color

- Notes:
- Consult factory.
 - Order separately.
 - Consult factory for custom color, marine and corrosive finish options.
 - SpectraSync not available with 1ft fixture. It must include NXWE or NXOSW. Only available with the highest wattage per fixture size. Only available for UNV and 347V.
 - Not available for 1ft fixture. Operating temperature limit is 0° C to 50° C.
 - Not available for 347V/480V.
 - Only available for UNV.
 - Center piece available in 1ft, 2ft, 3ft and 4ft lengths.
 - DS1 and DSO not available for 1ft fixture with DSW option
 - Length of Continuous Run must be in increments of 3' or 4' in coordination with Wattage/Lumen Output selected. Max Length of row using 4' increments is 92'; Max Length of row using 3' increments is 93'. Refer to Electrical Data table.
 - Ordered only as replacement; I connector included with Continuous Run configuration.
 - Contact Factory for pattern configurations. Approval drawings required.
 - Programming via control-HUBB mobile app requires additional NX system components, consult factory for details.

CERTIFICATIONS



Natatorium finish option is available



ARCHITECTURAL AREA LIGHTING

BEACON PRODUCTS

COLUMBIA LIGHTING

COMPASS

DUAL-LITE

HEALTHCARE SOLUTIONS

HUBBELL CONTROL SOLUTIONS

HUBBELL OUTDOOR LIGHTING

KIM LIGHTING

KURT VERSEN

LITECONTROL

PRESCOLITE

701 Millennium Blvd. Greenville, SC 29607
Tel 864.678.1000
www.hubbellighting.com

HL18000137 10/2021

Copyright © 2021 Hubbell Lighting, Inc. All rights reserved. Please refer to online specifications for most up-to-date content as specifications are subject to change without notice.