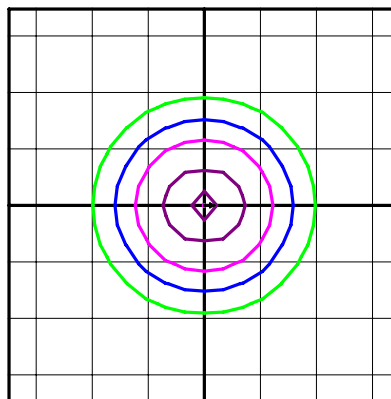
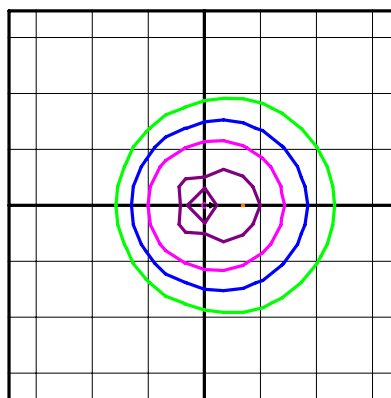


**Adjustable Shades:**

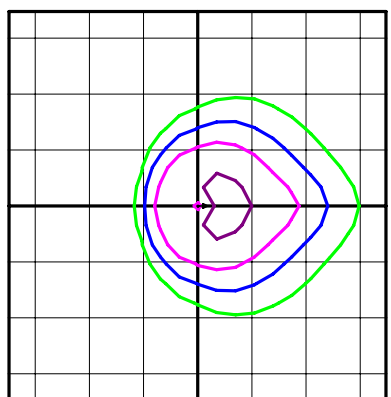
The Seti provides a custom angled shade that can be adjusted from 0° to 30°. With the ability to direct the direction of light output, your project will feature architectural styling and customization.



30" Round with No Tilt



30" Round with 15° Tilt



30" Round with 30° Tilt

**FEATURES**

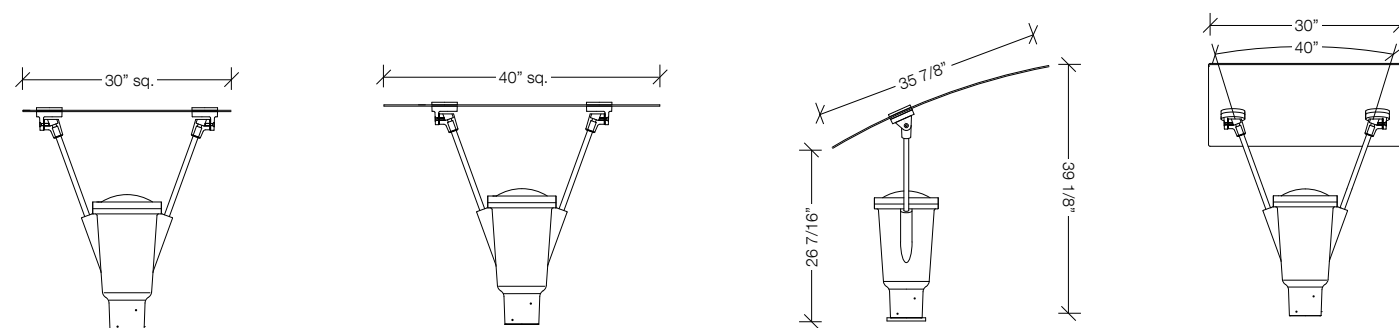


- The upper shade shall be a one piece aluminum plate. The underside of the shade shall be painted with a reflective white paint when a dark color is specified.
- All cast aluminum parts shall be ASTM356 marine grade alloy.
- The Indirect upper shade can be tilted 0 to 30 degrees for an asymmetrical light distribution.
- The LED module shall be enclosed in a cast aluminum housing. The front cover is secured with four captive screws for easy access. The front glass element is clear, tempered glass. The front cover and electrical module are sealed with memory retentive, molded silicone gaskets.
- The on-board surge protector shall be a UL recognized component for the United States and Canada and have a surge current rating of 20,000 Amps using the industry standard 8/20 pSec wave. The LSP shall have a clamping voltage of 825V and surge rating of 540J.
- A thermal circuit, LIFESHIELD™, shall protect the luminaire from excessive temperature by interfacing with the 0-10V dimmable drivers to reduce drive current as necessary.

MODEL	ENGINE-WATTS	VOLTAGE	SHADE	PEC	ELECTRICAL OPTIONS	CONTROL OPTIONS	COLOR
SETI Seti	24NB-55 55 Watts	UNV 120-277V 347 347V 480 480V 12VDC 12VDC	30RD 30" Round 40RD 40" Round 30SQ 30" Square 40SQ 40" Square CRS Curved Rectangle Shade	PEC Photobutton Control (specify voltage)	Lifeshield™ Thermal Protection 20K-Surge Protection Dimming Drivers	GENI-XX Energeni <sup>1</sup>	BBT Basic Black Textured BMT Black Matte Textured WHT White Textured MBT Metallic Bronze Textured BZT Bronze Textured DBT Dark Bronze Textured GYS Gray Smooth DPS Dark Platinum Smooth GNT Green Textured MST Metallic Silver Textured MTT Metallic Titanium Textured OWI Old World Iron RAL _____

<sup>1</sup>When ordering Energeni, specify the routine setting code (example GENI-04). See Energeni brochure and instructions for setting table and options. Not available with sensor options

**DETAILS**



# SETI

DESIGN. PERFORMANCE. TECHNOLOGY

*Beacon Products, with a 30+ year history of leadership in lighting and site furnishings, is the first domestic manufacturer to introduce the most comprehensive line of "Municipal-Grade" outdoor LED luminaires. These luminaires are designed to be environmentally friendly, as well as performance driven with their light control and distribution optical systems.*

The SETI is as much of an architectural statement as it is a high-performance, indirect LED luminaire. Suited for both indoor and outdoor applications, this luminaire utilizes monolithic cast body construction with 316 polished stainless steel vertical supports. The shade can be tilted 0 to 30 degrees for an asymmetrical light distribution. The locking clamp design ensures a consistent tilt angle on all fixtures.

## Wide Range of Options:

The Seti provides architects with a design solution to match the lines of their projects. Shades are available in 30" or 40" square and round shapes or with a rectangular curved shade.



30" Round Shade

30RD



40" Round Shade

40RD



30" Square Shade

30SQ



40" Square Shade

40SQ



30" x 36" Curved Shade



For more information: [www.beaconproducts.com](http://www.beaconproducts.com)



ENERGY EFFICIENT LED ARCHITECTURAL LIGHTING