



COMMERCIAL, INDUSTRIAL AND RESIDENTIAL ELECTRICAL PRODUCTS

WRD REMOVABLE HINGE PIN

- FREESTANDING DISCONNECTS
- STAINLESS STEEL FREESTANDING
- DOUBLE DOOR FLOOR-MOUNT



Food & Beverage Processing, Washdown Areas, Corrosive Environments, Harsh Locations, Process, Automation, Waste Water Treatment, Oil/Gas Pharmaceutical, Mining, Coastal Installations



Application

Designed to protect electrical and electronic controls, components, and instruments in typical industrial environments. Enclosures protect equipment from dust, dirt and water. These enclosures are used in machine tool applications for housing motor starters, drives, contactors, PLC's, as well as a wide variety of other electrical and electronic equipment. The addition of 19 inch rack mounted accessories make these enclosures ideal for providing rugged protection for sensitive rack mounted components in harsh industrial environments.

Industry Standards

UL listed Types 3R, 4 and 12

NEMA Types 3R, 4 and 12

UL Classified IEC 60529 IP66

 UL File E64791, E470978

Features

- Fabricated from Carbon Steel and 304 Stainless Steel
- ANSI 61 Gray Polyester Powder Coat
- Heavy Duty 316 Stainless Steel Removable Hinges (patent pending)
- Continuously welded seams ground smooth
- Heavy duty lifting eyes for easy handling
- 3-point keylocking/padlocking combo handle
- Doors sealed with poured in place gasket
- Ground provisions provided
- Door opens 170°
- “Uni-strut” mounting channels are welded horizontally to interior body sides to allow back panels to be positioned in enclosure. Optional swing, half, full panels and rack angles can be mounted anywhere along “uni-strut” channel



Removable hinge for easy
Sub-panel installation and
door modifications

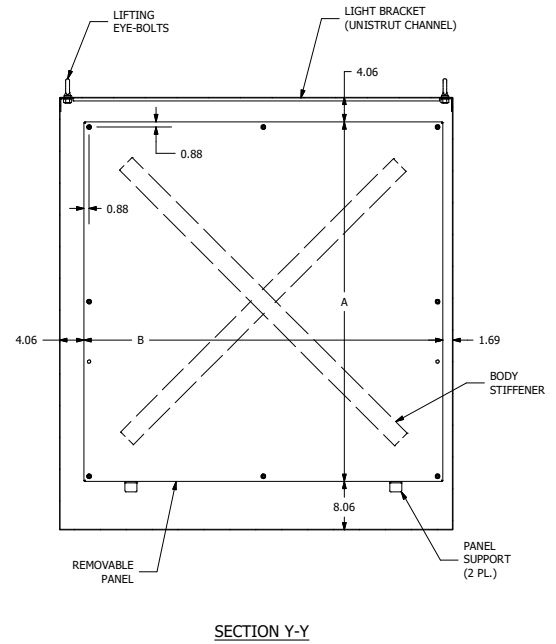
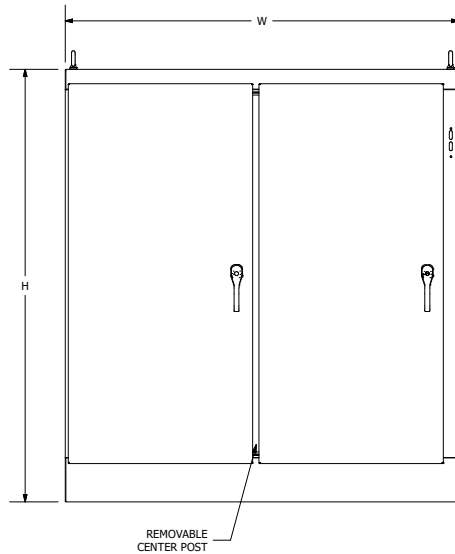
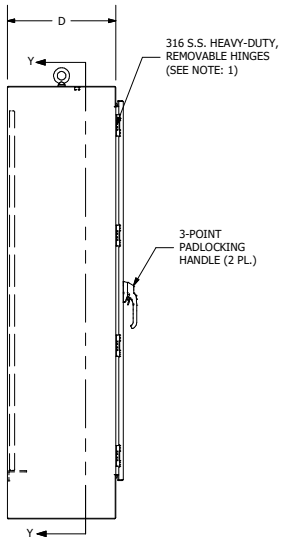
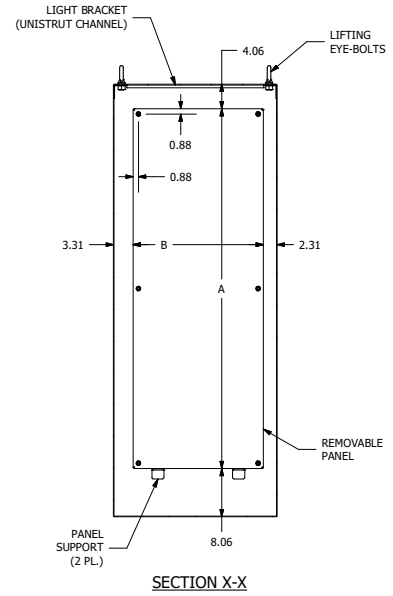
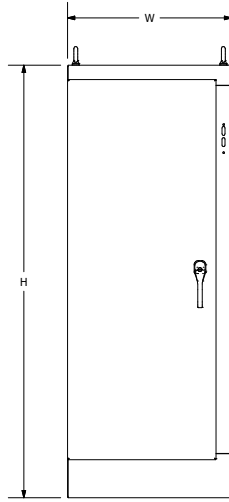
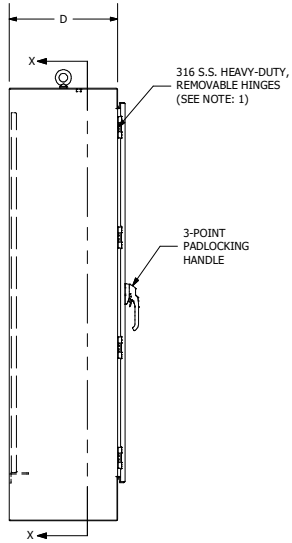
FREESTANDING DISCONNECT ENCLOSURES

WRD-XM-FS4 & FSD4 SINGLE AND DOUBLE DOOR DISCONNECTS,
HEAVY-DUTY REMOVABLE HINGE PINWRD-XM-FS4 & FSD4 SINGLE AND DOUBLE DOOR FREESTANDING
DISCONNECT, HEAVY-DUTY REMOVABLE HINGE PIN

| CATALOG NUMBER | ENCLOSURE SIZE H X W X D | NUMBER OF HINGES |
|-----------------|-----------------------------|---------------------|
| WRD72XM2718FS4 | 72 x 27 x 18 | 4 |
| WRD72XM3318FS4 | 72 x 33 x 18 | 4 |
| WRD72XM3918FS4 | 72 x 39 x 18 | 4 |
| WRD84XM3918FS4 | 84 x 39 x 18 | 5 |
| WRD90XM3920FS4 | 90 x 39 x 20 | 5 |
| WRD90XM3924FS4 | 90 x 39 x 24 | 5 |
| WRD72XM5318FSD4 | 72 x 53 x 18 | 4 |
| WRD72XM6518FSD4 | 72 x 65 x 18 | 4 |
| WRD72XM7718FSD4 | 72 x 77 x 18 | 4 |
| WRD72XM7724FSD4 | 72 x 77 x 24 | 4 |
| WRD84XM7718FSD4 | 84 x 77 x 18 | 5 |
| WRD90XM7720FSD4 | 90 x 77 x 20 | 5 |
| WRD90XM7724FSD4 | 90 x 77 x 24 | 5 |

FREESTANDING DISCONNECT ENCLOSURES

WRD-XM-FS4 & FSD4 SINGLE AND DOUBLE DOOR DISCONNECTS, HEAVY-DUTY REMOVABLE HINGE PIN



NOTES:
 1. FOUR HINGES ARE PROVIDED PER DOOR WHEN "H" = 72"
 FIVE HINGES ARE PROVIDED PER DOOR WHEN "H" = 84" OR 90"

STAINLESS STEEL FREESTANDING ENCLOSURES

WRD-FSN4 & FSDN4 SINGLE AND DOUBLE DOOR STAINLESS STEEL, HEAVY-DUTY REMOVABLE HINGE PIN

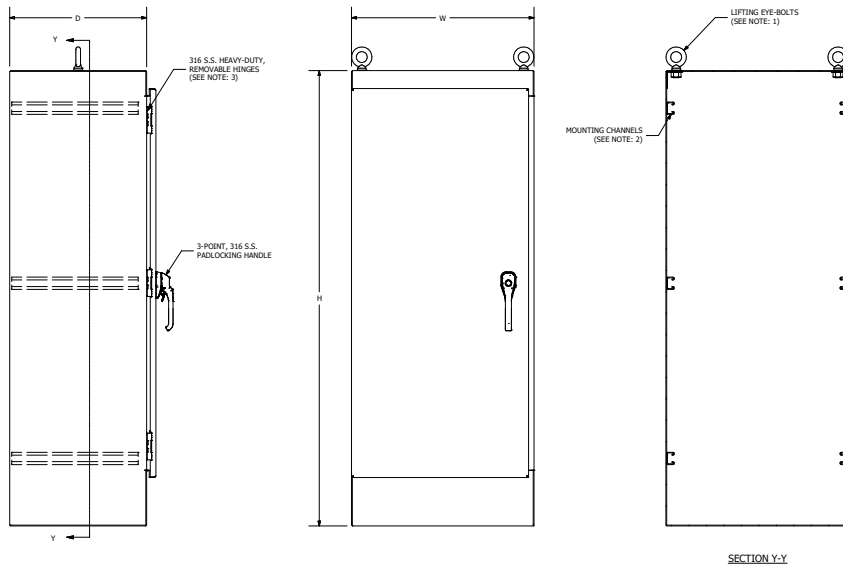
WRD-FSN4 & FSDN4 SINGLE AND DOUBLE DOOR STAINLESS STEEL FREESTANDING, HEAVY-DUTY REMOVABLE HINGE PIN

| CATALOG NUMBER | ENCLOSURE SIZE H X W X D | NUMBER OF HINGES |
|------------------|-----------------------------|---------------------|
| WRD602418SSFSN4 | 60 x 24 x 18 | 3 |
| WRD603624SSFSN4 | 60 x 36 x 24 | 3 |
| WRD722418SSFSN4 | 72 x 24 x 18 | 4 |
| WRD722424SSFSN4 | 72 x 24 x 24 | 4 |
| WRD723018SSFSN4 | 72 x 30 x 18 | 4 |
| WRD723024SSFSN4 | 72 x 30 x 24 | 4 |
| WRD723618SSFSN4 | 72 x 36 x 18 | 4 |
| WRD723624SSFSN4 | 72 x 36 x 24 | 4 |
| WRD723630SSFSN4 | 72 x 36 x 30 | 4 |
| WRD723636SSFSN4 | 72 x 36 x 36 | 4 |
| WRD902420SSFSN4 | 90 x 24 x 20 | 5 |
| WRD903620SSFSN4 | 90 x 36 x 20 | 5 |
| WRD903624SSFSN4 | 90 x 36 x 24 | 5 |
| WRD903636SSFSN4 | 90 x 36 x 36 | 5 |
| WRD604818SSFSDN4 | 60 x 48 x 18 | 3 |
| WRD724818SSFSDN4 | 72 x 48 x 18 | 4 |
| WRD724824SSFSDN4 | 72 x 48 x 24 | 4 |
| WRD726018SSFSDN4 | 72 x 60 x 18 | 4 |
| WRD726024SSFSDN4 | 72 x 60 x 24 | 4 |
| WRD726036SSFSDN4 | 72 x 60 x 36 | 4 |
| WRD727218SSFSDN4 | 72 x 72 x 18 | 4 |
| WRD727224SSFSDN4 | 72 x 72 x 24 | 4 |
| WRD904820SSFSDN4 | 90 x 48 x 20 | 5 |
| WRD907220SSFSDN4 | 90 x 72 x 20 | 5 |
| WRD907224SSFSDN4 | 90 x 72 x 24 | 5 |
| WRD907236SSFSDN4 | 90 x 72 x 36 | 5 |

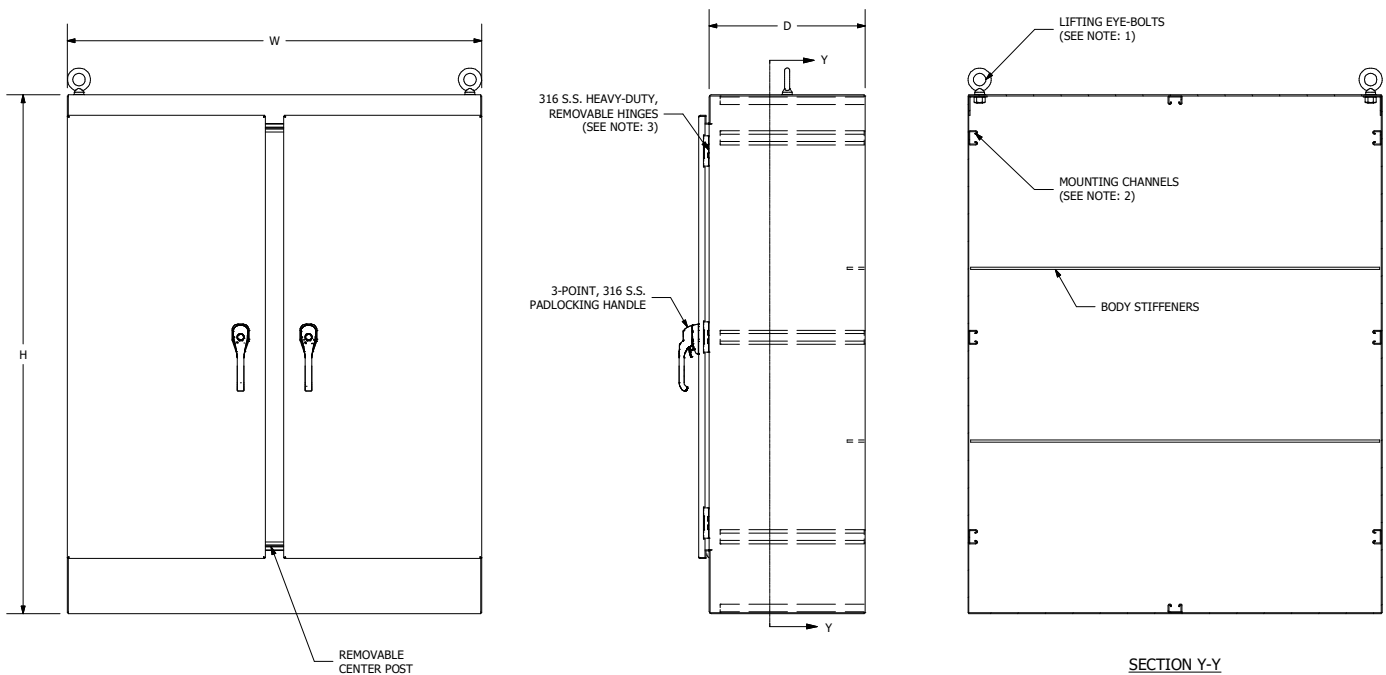


STAINLESS STEEL ENCLOSURES

WRD-FSN4 & FSDN4 SINGLE AND DOUBLE DOOR STAINLESS STEEL, HEAVY-DUTY REMOVABLE HINGE PIN



SECTION Y-Y



SECTION Y-Y

NOTES:

1. FOUR LIFTING EYE-BOLTS ARE SUPPLIED WHEN "D" IS 30" OR GREATER.
2. OPTIONAL PANEL(S) CAN BE MOUNTED ANYWHERE ALONG MOUNTING CHANNELS.
3. THREE HINGES PER DOOR ARE PROVIDED WHEN "H" = 60"
FOUR HINGES PER DOOR ARE PROVIDED WHEN "H" = 72"
FIVE HINGES PER DOOR ARE PROVIDED WHEN "H" = 90"

DOUBLE DOOR FLOOR-MOUNT ENCLOSURES

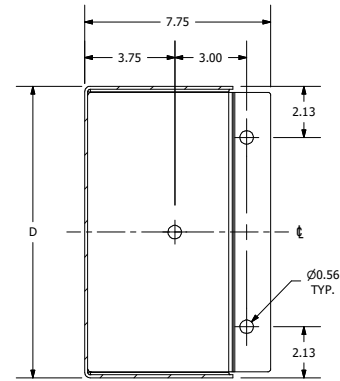
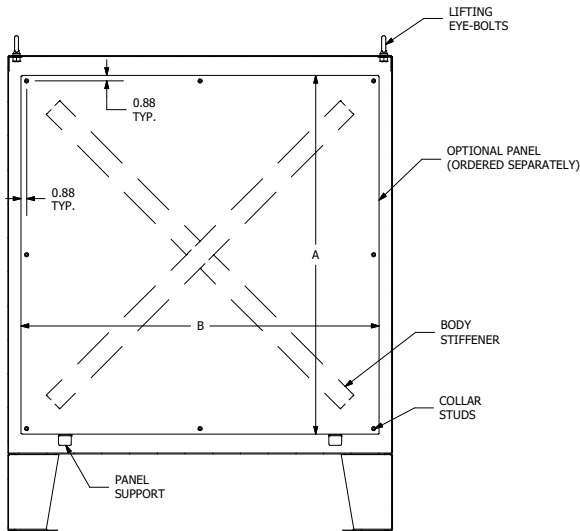
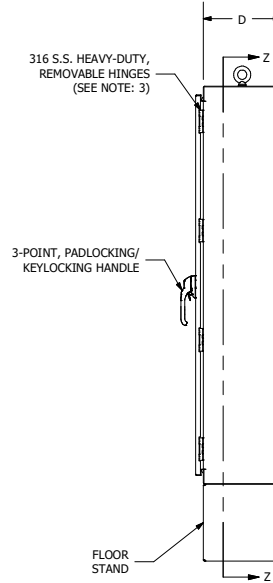
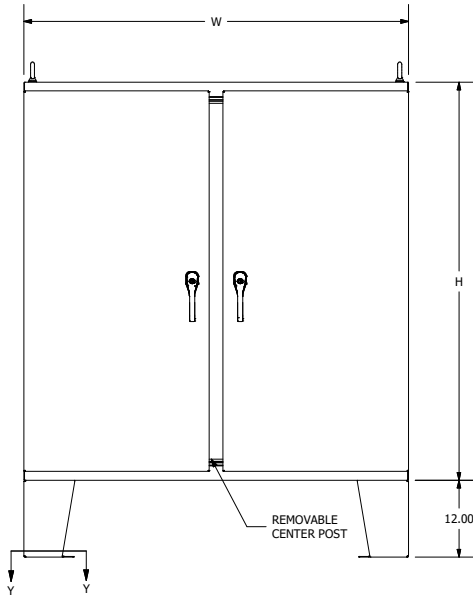
WRD-N4D3PT DOUBLE DOOR FLOOR-MOUNT, HEAVY-DUTY REMOVABLE HINGE PIN

WRD-N4D3PT DOUBLE DOOR FLOOR-MOUNT,
HEAVY-DUTY REMOVABLE HINGE PIN

| CATALOG NUMBER | ENCLOSURE SIZE H X W X D | NUMBER OF HINGES |
|-----------------|-----------------------------|---------------------|
| WRD624810N4D3PT | 62 X 48 X 10 | 3 |
| WRD626012N4D3PT | 62 X 60 X 12 | 3 |
| WRD746012N4D3PT | 74 X 60 X 12 | 4 |
| WRD747212N4D3PT | 74 X 72 X 12 | 4 |
| WRD746018N4D3PT | 74 X 60 X 18 | 4 |
| WRD747218N4D3PT | 74 X 72 X 18 | 4 |
| WRD747224N4D3PT | 74 X 72 X 24 | 4 |

DOUBLE DOOR FLOOR-MOUNT ENCLOSURE

WRD-N4D3PT DOUBLE DOOR FLOOR-MOUNT, HEAVY-DUTY REMOVABLE HINGE PIN



SECTION Z-Z

SECTION Y-Y



COMMERCIAL CONSTRUCTION
A Division of Hubbell Incorporated (Delaware)

© 2018 Hubbell. All rights reserved. Information subject to change. Trademarks are property of their respective owners.

Hubbell Canada Inc. 905-839-1138
Hubbell de Mexico, S.A. de C.V. 52-55-9151-9999

Wiegmann
Freeburg, IL 62243
618-539-3193

hubbell.com/wiegmann/en

WIEGMANN®