

inREACH™ Cord Reels: The Power Delivery Solution for Medical Facilities



Medical Grade Cord Reels

From the inventors of Hospital Grade electrical devices, Hubbell introduces inREACH cord reels that provide safe and convenient power designed specifically for medical facilities.

Hospital Grade plugs and receptacles provide the most reliable performance in demanding medical applications. The all-white construction complies with sanitary practices by making contamination more visible and easier to clean.

Listings and Certifications:

UL355 CSA C22.2 No. 308 | UL498 Supplement SC Hospital Grade | UL 943, Section 6.7.2.1 | Fed Spec W-C-596



A cast aluminum housing withstands corrosive environments.



Hospital grade, tamper-resistant receptacles provide four plug-in points, and a fully-illuminated LED face clearly indicates available power.



An optional inline GFCI module provides Class A ground fault protection even when the neutral conductor is compromised.

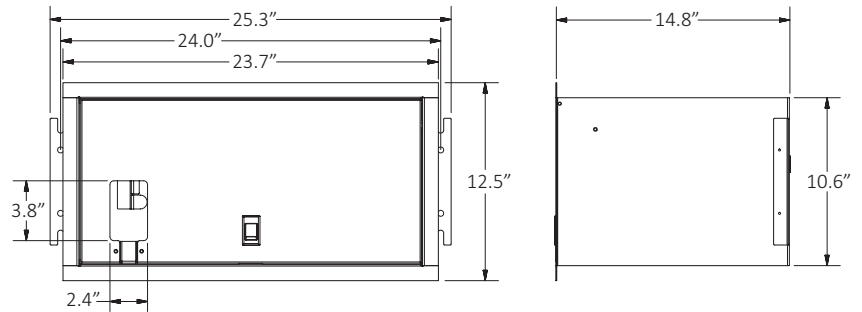
inREACH™ Plenum Rated Enclosure



Hubbell's inREACH™ plenum rated enclosure is the first of its kind, allowing customers to securely mount cord reels in drop ceilings, while isolating it from the plenum space. These enclosures are certified to CAN/CSA C22.2 No 60950-1-07 and UL2416 making them compliant with plenum requirements per the CEC and NEC.

PLENUM RATED BOX FEATURES & DIMENSIONS

- Steel enclosure, white powder coat surface finish
- UL 2416 listed; CAN/CSA C22.2 No 60950-1-07, compliant with plenum requirements per CEC and NEC
- Accepts most Hubbell inREACH industrial cord reels
- 75 lb load capacity
- 4 in. square electrical box included
- Pre-punched knockout hole



ORDERING INFORMATION

inREACH™ Industrial Cord Reels

Description	Amps	Voltage	Cable Length ft (m)	Cable Type	Weight lbs (kg)	Catalog Number
White reel, white portable outlet box, GFCI module, and (2) 20A Hospital Grade receptacles	20A	125V AC	45 (13.7)	12/3 SJO	34.9 (15.8)	HBLIWC45123GF220HG
White reel, white portable outlet box, and (2) 20A Hospital Grade receptacles	20A	125V AC	45 (13.7)	12/3 SJO	34.4 (15.6)	HBLIWC45123R220HG
White reel and Hospital Grade connector HBL8319C	20A	125V AC	45 (13.7)	12/3 SJO	33.6 (15.2)	HBLIWC45123C20HG



For additional cord reel configurations, please view our online resources below, or contact your local Hubbell representative.

Plenum Rated Enclosure for inREACH™ Cord Reels

Description	Weight lbs (kg)	Catalog Number
Plenum rated enclosure	30.0 (13.6)	HBLIPRBOX



ONLINE RESOURCES

The Hubbell Canada website offers fast and convenient information through our online catalogue, technical support, videos and more.

Visit www.hubbell.ca today!



Full Line Catalog



Cord Reels



inREACH Cord Reel
Drop Ceiling Enclosure Video

CONTACT US

Count on Hubbell for the most reliable and innovative wiring device product line in North America.

 marketing@hubbell.ca

 1-800-465-7051

 Find a local Sales Representative at www.hubbell.ca