



energeni

a compact control device that gives lighting owners a simple way to save on energy costs...



BEACON
design . performance . technology



HUBBELL
Lighting

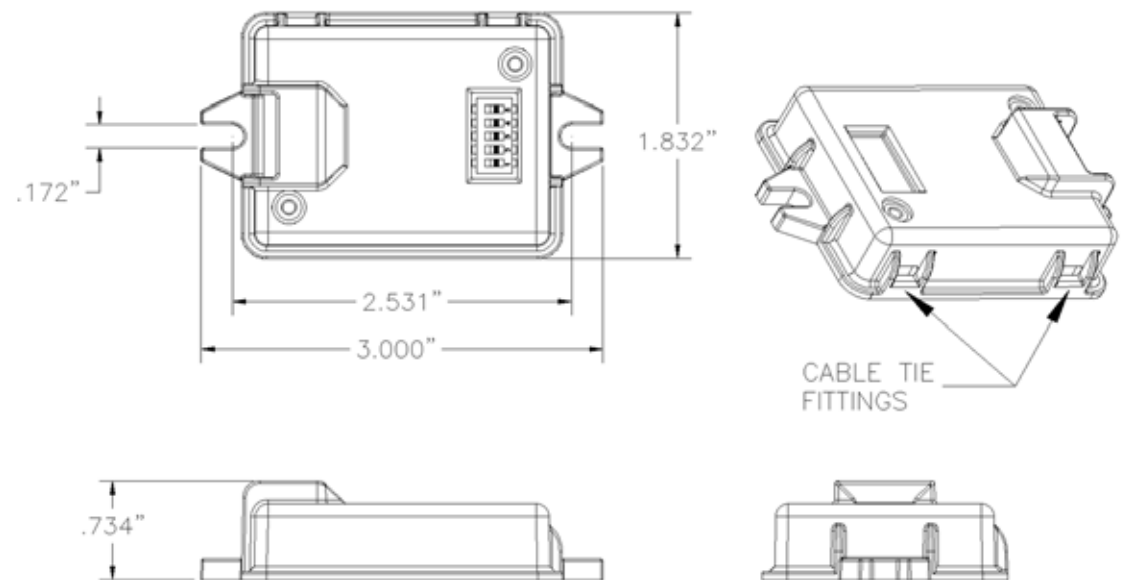
energeni



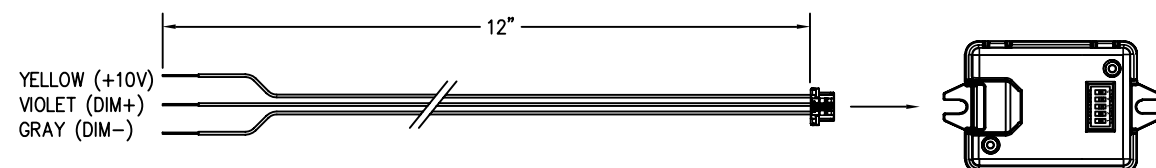
The **ENERGENI** lighting control system is a simple way for owners to save money by dimming the fixtures during unoccupied hours.

The **ENERGENI** has flexible setting options to work with fixtures activated by photocontrols or time clocks. The delay and dimming level options can be configured at the factory or re-configured at will in the field without the need for special cables or computers.

ENERGENI PRODUCT DIMENSIONS



WIRING HARNESS DIMENSIONS



Routine Setting Chart

32 Pre-programmed functional settings

SETTING OPTIONS

The ENERGENI has 32 pre-programmed functional settings that can be selected with its five DIP switches. The combination of switch settings allows for options of set dimming, timed diming with a simple delay or timed diming based on hours of operation or time at night.

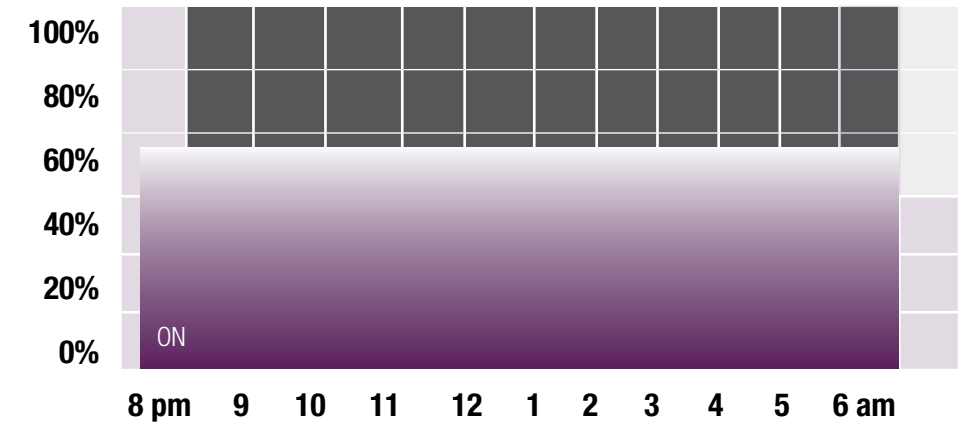


Routine Number	Switch Settings (0 = Down, 1 = Up)					Brightness %	Energy Savings %	Simple Delay (Hrs.)	Variable Delay Estimated Time
	Switch 1	Switch 2	Switch 3	Switch 4	Switch 5				
01	0	0	0	0	0	100	0	0	
02	1	0	0	0	0	20	80	0	
03	0	1	0	0	0	20	80	3	
04	1	1	0	0	0	20	80	5	
05	0	0	1	0	0	20	80	7	
06	1	0	1	0	0	20	80	9	
07	0	1	1	0	0	40	60	0	
08	1	1	1	0	0	40	60	3	
09	0	0	0	1	0	40	60	5	
10	1	0	0	1	0	40	60	7	
11	0	1	0	1	0	40	60	9	
12	1	1	0	1	0	60	40	0	
13	0	0	1	1	0	60	40	3	
14	1	0	1	1	0	60	40	5	
15	0	1	1	1	0	60	40	7	
16	1	1	1	1	0	60	40	9	
17	0	0	0	0	1	20	80		6:00 pm
18	1	0	0	0	1	20	80		8:00 pm
19	0	1	0	0	1	20	80		10:00 pm
20	1	1	0	0	1	20	80		12:00 am
21	0	0	1	0	1	20	80		2:00 am
22	1	0	1	0	1	40	60		6:00 pm
23	0	1	1	0	1	40	60		8:00 pm
24	1	1	1	0	1	40	60		10:00 pm
25	0	0	0	1	1	40	60		12:00 am
26	1	0	0	1	1	40	60		2:00 am
27	0	1	0	1	1	40	60		4:00 am
28	1	1	0	1	1	60	40		6:00 pm
29	0	0	1	1	1	60	40		8:00 pm
30	1	0	1	1	1	60	40		10:00 pm
31	0	1	1	1	1	60	40		12:00 am
32	1	1	1	1	1	60	40		2:00 am



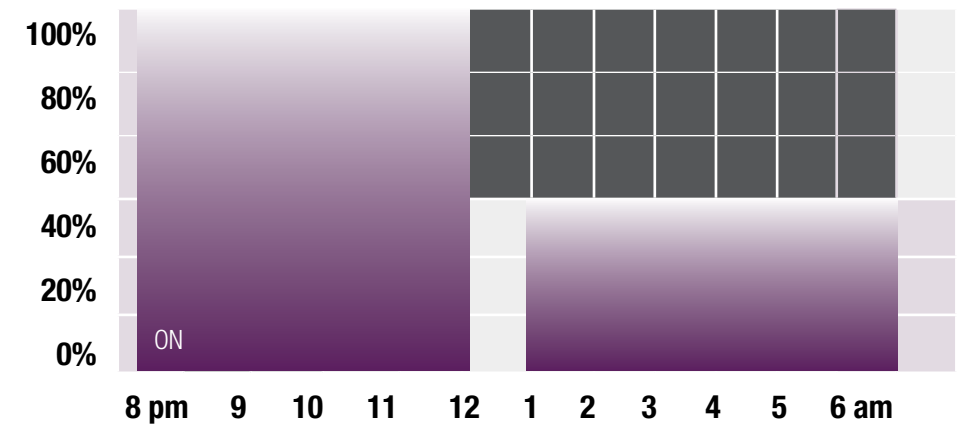
SET DIMMING

The set dimming option allows for a pre-set dimming level that occurs immediately after turning on the fixtures. This setting is ideal for applications where you want the flexibility to adjust light levels after installation. The set dim mode is also great to reduce energy and light levels at initial installation and allow for field adjustment as the lighting system ages. (Illustration shows on at 8pm, dims to 60% brightness until the end of the day).



DIMMING BASED ON TIME OF NIGHT

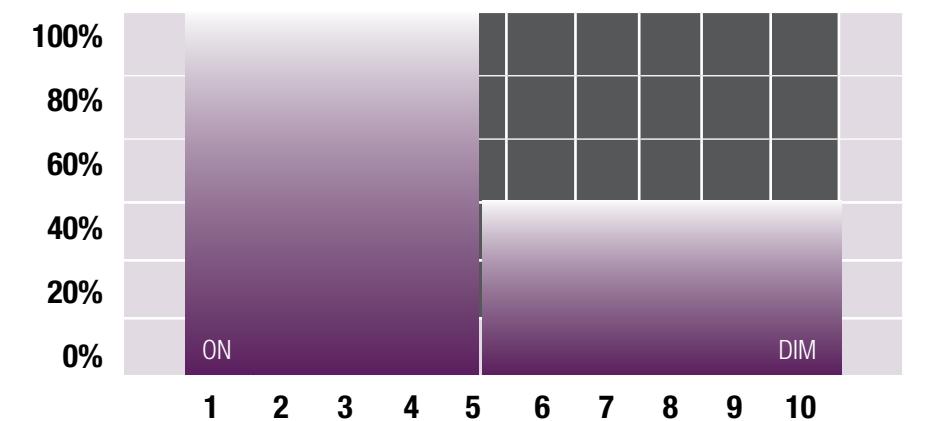
For applications looking for set dim level at night due to local code requirements or business operation, the ENERGENI can be set to dim at approximately the same time each evening. For example, the system is set to dim to 40% brightness at approximately midnight. The ENERGENI counts the hours of operation to determine the midnight time as its setting point. (Illustration shows on at 8pm, dims to 40% brightness at midnight and shuts off 6am).



- Ideal for photocontrol switching

DIMMING BASED ON HOURS OF OPERATION

For applications that may want the lights to burn for a set number of hours, the ENERGENI can be set to dim after a fixed time has passed. Multiple delay and brightness options are available. The example below illustrates a setting where the fixture is set to dim to 40% brightness after 5 hours. These settings are a good choice for systems controlled with a time clock, as they would dim at the same time every evening. (Illustration shows on at 100%, shows 10 hours of operation and dims to 40% at 5 hours to end of 10 hour period).



- Ideal for time clock switching

energeni

Available in the following products:



Area & Roadway



Bollards



Decorative



Decorative Roadway



LED Retrofit Kits



Wall, Garage, Canopy



Alpha Floodlight

***When ordering Energeni, specify the routine setting code (example GENI-04). See product specification sheets for more details.**





HUBBELL
Lighting

701 Millenium Blvd.
Greenville, SC 29607
hubbellighting.com

ALERA LIGHTING

ARCHITECTURAL AREA LIGHTING

BEACON PRODUCTS

COLUMBIA LIGHTING

COMPASS

DEVINE LIGHTING

DUAL-LITE

HUBBELL BUILDING AUTOMATION

HUBBELL INDUSTRIAL LIGHTING

HUBBELL OUTDOOR LIGHTING

KIM LIGHTING

KURT VERSEN

PRESCOLITE

PROGRESS LIGHTING

SPALDING LIGHTING

SPORTSLITER SOLUTIONS

STERNER LIGHTING

WHITEWAY



2041 58th Avenue Circle East
Bradenton, FL 34203

t 800.345.4928
f 941.751.5535

