

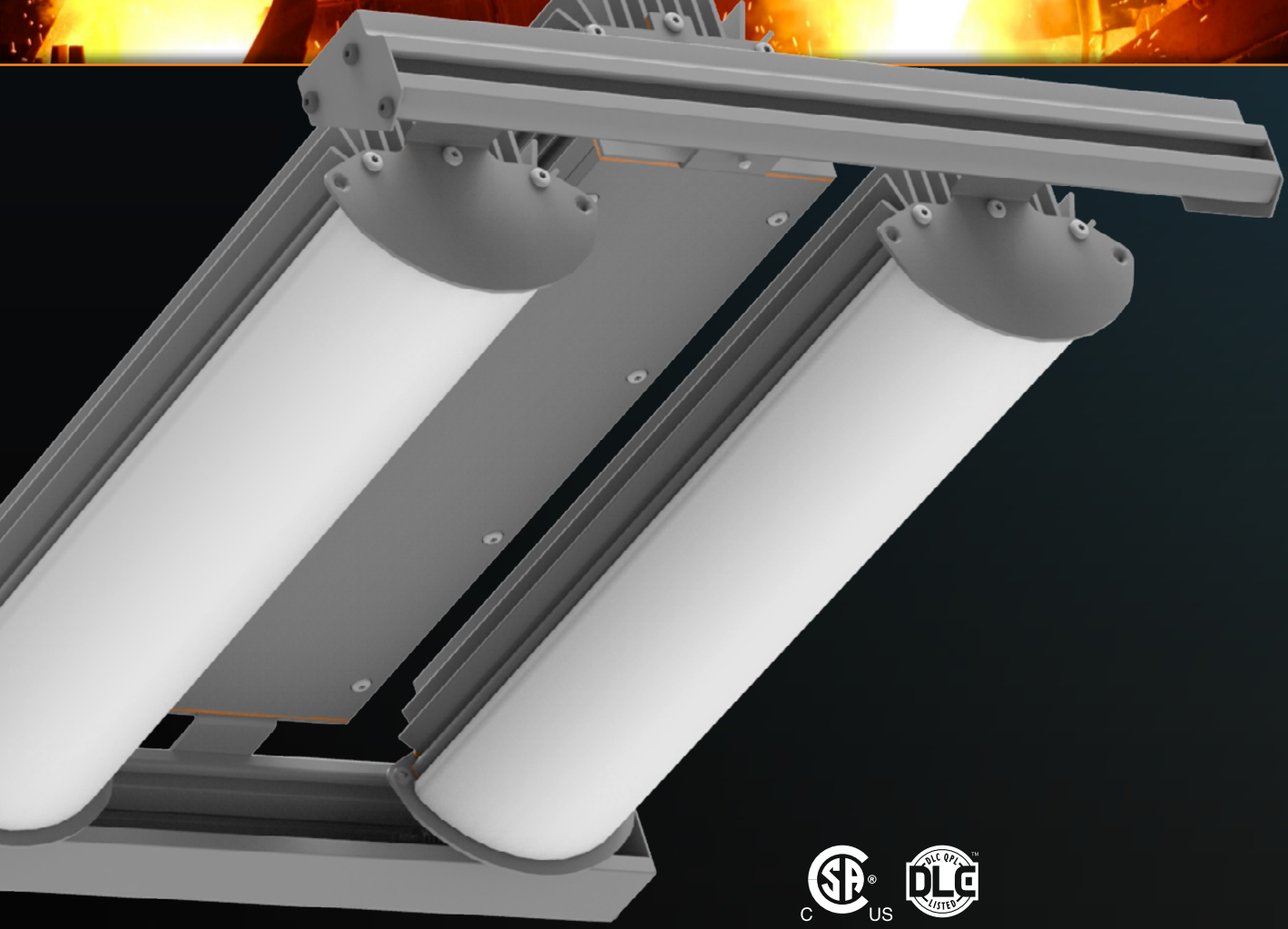
TRIPLE™



High Ambient - High Output - High Efficacy **High Bay/Low Bay**



HUBBELL
Industrial Lighting



NO EXCUSES.



65°C “No Excuses”
 Min. Operating Temp. of -40°C
 Up to 141 Lumens per Watt
 Up to 60,000 lumens
 Scalable lumen output
 Wet Location Option

HIGH OUTPUT

- Full light output at 65°C (149°F)
- Ideal for hot, dirty factories
- The only LED high bay available in a 65°C full light version
- Positioned as a relight fixture for HID
- DesignLights Consortium® (DLC) qualified product. Not all versions of this product may be DLC qualified. Please check the DLC Qualified Products List at www.designlights.org/QPL to confirm which versions are qualified.

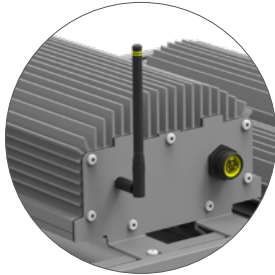
HIGH AMBIENT

- Scalable fixture from 15,000 lumens to 60,000 lumens
- Available in six different versions
- Three low bay versions and three high bay versions offered
- The three low bays are approximately 15,000 lumens, 22,000 lumens and 30,000 lumens
- The three high bays are approximately 30,000 lumens, 45,000 lumens and 60,000 lumens

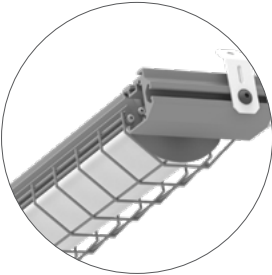
HIGH EFFICACY

- Lumens per watt up to 141
- Only 431 watts
- Can easily replace a 1000W HID high bay

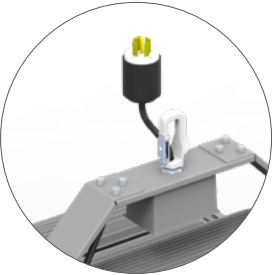
OPTIONS AND ACCESSORIES



WISCAPE
Antenna



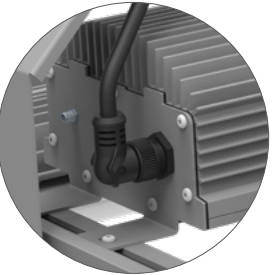
Wire
Guard



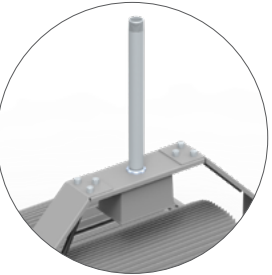
HookLoop
& Plug



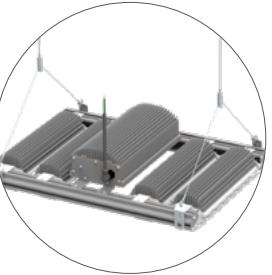
Occupancy
Sensor



Molex
Connector



Pendant
Mount

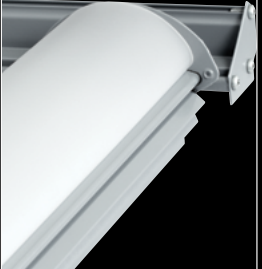


Cable
Mount

LENS OFFERING

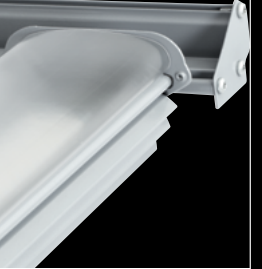
ROUND DIFFUSE ACRYLIC LENS

- Low Glare
- Wide Distribution
- 112 LPW
- 1.3 SC ratio



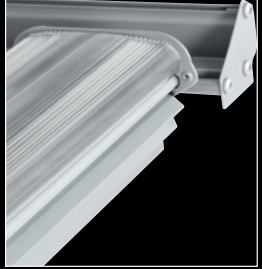
FLAT ACRYLIC CLEAR LENS

- Medium Distribution
- 134 LPW
- 1.3 SC ratio



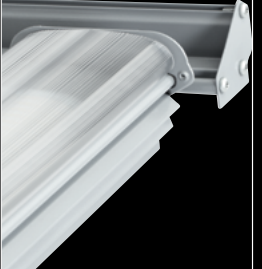
FLAT ACRYLIC NARROW LENS

- Narrow Distribution
- 127 LPW
- 1.0 SC ratio



FLAT ACRYLIC WIDE LENS

- Wide Distribution
- 129 LPW
- 1.7 SC ratio

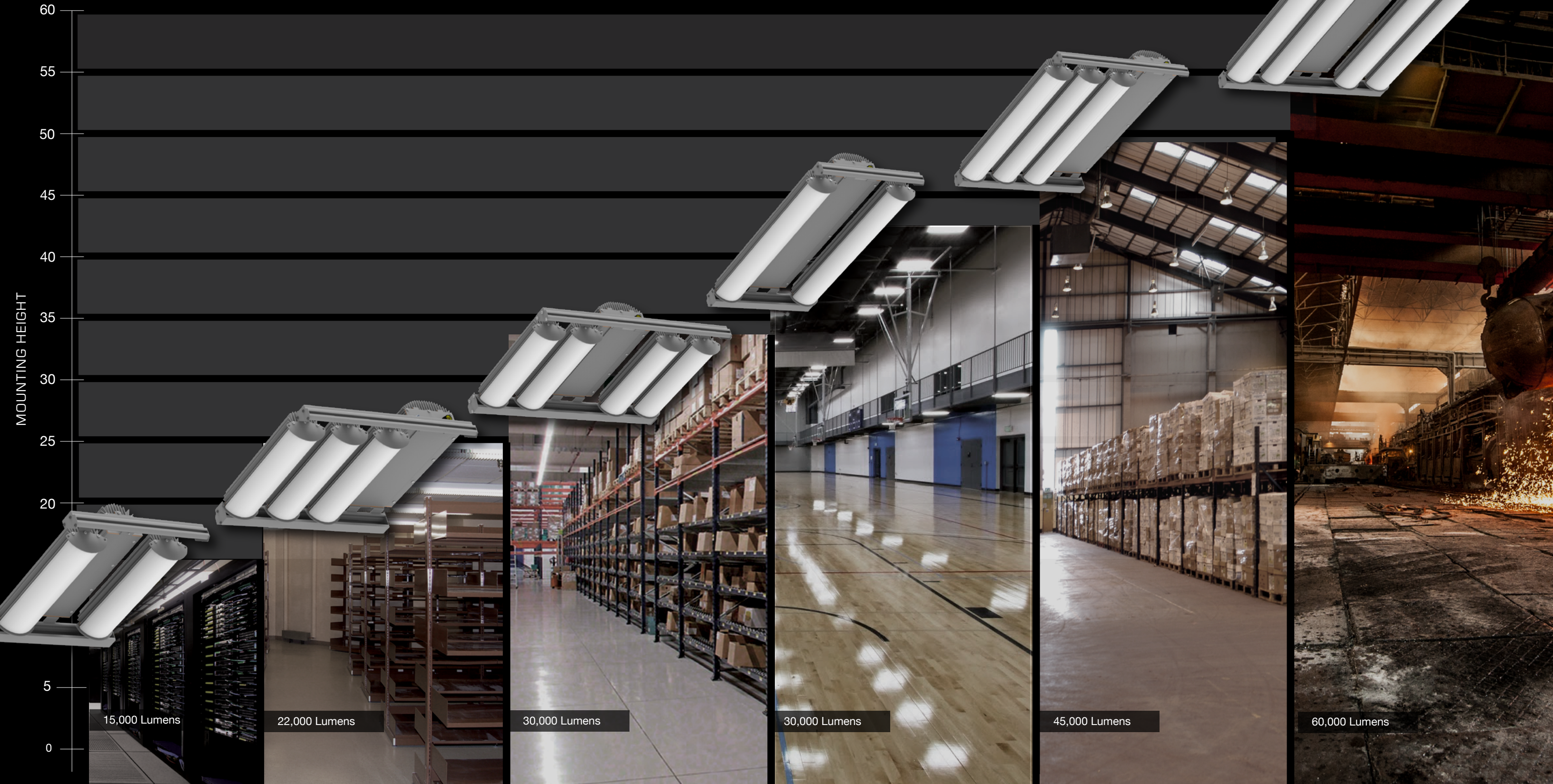




APPLICATIONS

Low Bay

High Bay

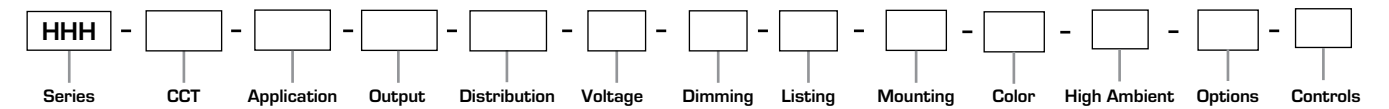




CATALOG LOGIC

ORDERING INFORMATION

ORDERING EXAMPLE: HHH5KHBL0UWACWHHSP



SERIES

HHH

CCT

4K 4000K, 83 CRI
5K 5000K, 83 CRI

APPLICATION

HB High Bay
LB Low Bay

OUTPUT

LO Low Output
MO Medium Output
HO High Output

DISTRIBUTION

W Wide
N Narrow
M Medium
D Diffuse
- No Lens [blank]

VOLTAGE

U Universal 120-277V
1 120
2 208
3 240
4 277
F 347
5 480

Notes: 347 and 480V is not an available option for Medium Output (MO)
Specific voltage selection required when selecting Fusing and/or Hook/Loop options

DIMMING

CD Dimming
ND No Dimming

LISTING

W Wet Location Rated
D Damp Location Rated

MOUNTING

A2 Pendant w 3/4" Hub
(via Yoke adapter)
AC Cable
Notes: Top Luminaire Retainer recommended for A2 mount.

COLOR

WH White
GR Gray

HIGH AMBIENT

HA High Ambient

OPTIONS

F(x) Fusing
SP Surge Protector
WG Wire Guard
ELL14 Emergency Battery Pack, 10 Watt^{1,2}

C(y)HL **Hook/Loop Damp Location**
Cord with plug and hook loop for A2 mounting. Includes wiring box.

C(y)HLW **Hook/Loop Wet Location**
Cord with plug and hook loop for A2 mounting. Includes wiring box.

Plug
P20A 20 amp Twist Loc Plug
P15A 15 amp Twist Loc Plug
TLR(y) Top Luminaire Retainer³

Notes: Replace (y) with the length. 4=4ft, 6=6ft, 8=8ft., 10=10ft., 12=12ft.

¹ Not available with 347V/480V or HO lumen output

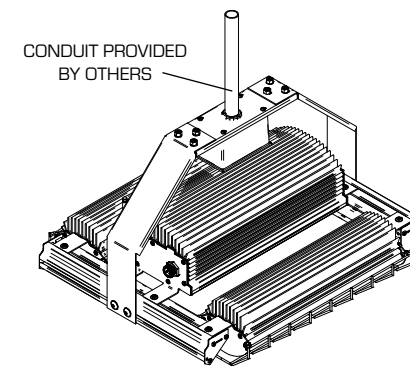
² Up to 45°C ambient only

³ Included option on every high bay order

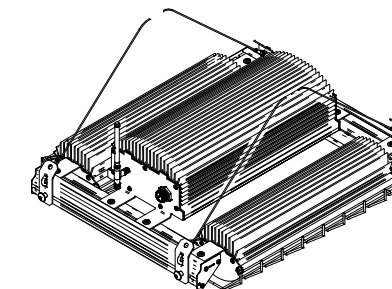
CONTROLS

WIS Wireless Control WiScape
OCS Occupancy Sensor

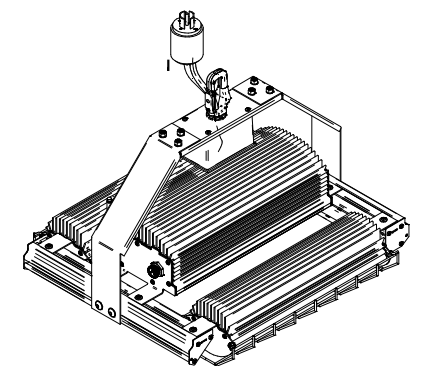
ACCESSORIES AND OPTIONS



A2 PENDANT MOUNTING OPTION
INTEGRAL YOKE & WIRING BOX STD.
(SUPPLY AC POWER CORD NOT SHOWN)



AC AIRCRAFT CABLE MOUNTING OPTION
(SUPPLY AC POWER CORD NOT SHOWN)



A2 HOOKLOOP MOUNTING OPTION
INTEGRAL YOKE & WIRING BOX STD.
(SUPPLY AC POWER CORD NOT SHOWN)

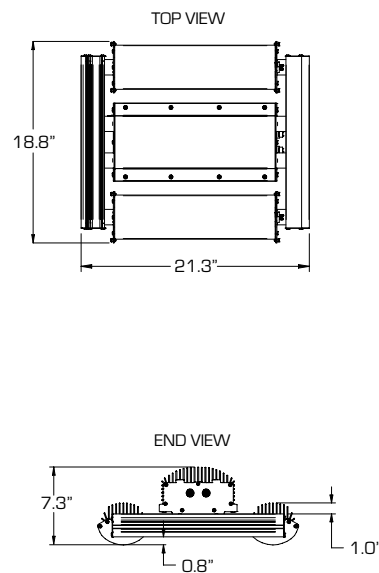
APPLICATION GUIDE

		HID REPLACEMENT				
		250W	320W/350W/400W	600W	750W	1000W
		HPS, MH, PSMH	MH, PSMH	HPS	PSMH	MH, PSMH
Low Bay	LO	15,000	182W SAVED/FIXTURE			
	MO	22,000		298W SAVED/FIXTURE		
	HO	30,000		485W SAVED/FIXTURE	595W SAVED/FIXTURE	
High Bay	LO	30,000		485W SAVED/FIXTURE	595W SAVED/FIXTURE	
	MO	45,000			450W SAVED/FIXTURE	720W SAVED/FIXTURE
	HO	60,000				645W SAVED/FIXTURE

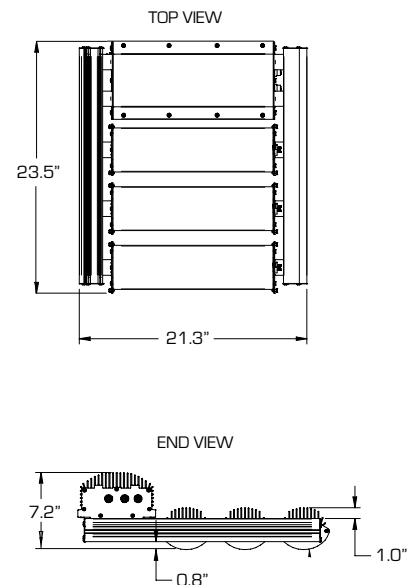


DIMENSIONS

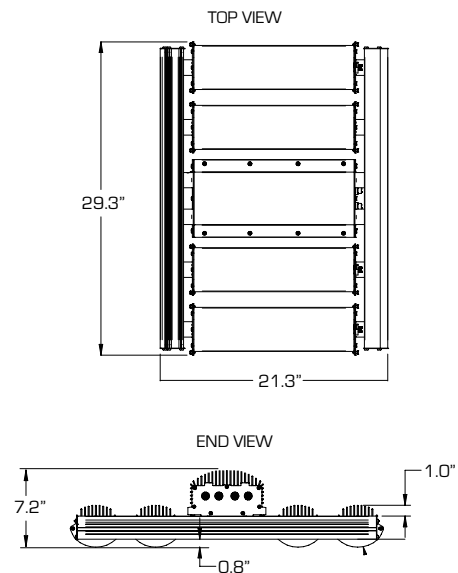
LOW BAY TWIN



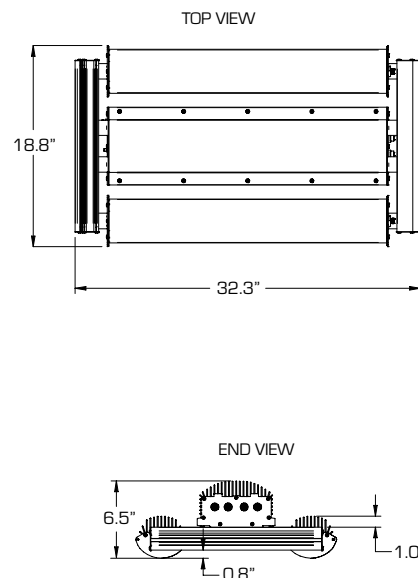
LOW BAY TRIO



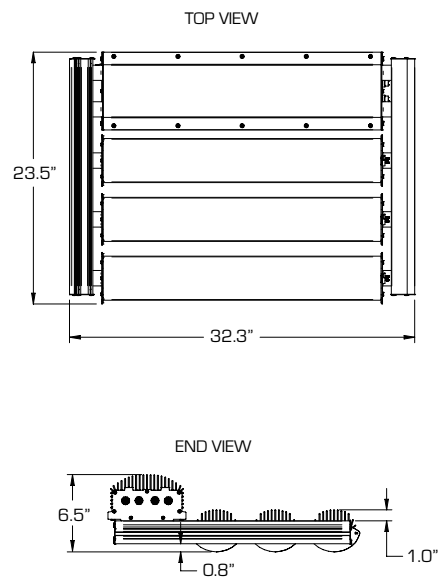
LOW BAY QUAD



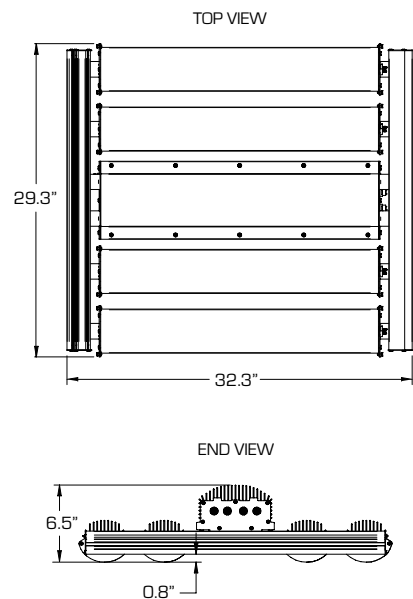
HIGH BAY TWIN



HIGH BAY TRIO



HIGH BAY QUAD



ELECTRICAL DATA

		CATALOG STRING	LUMEN OUTPUT	WATTS	LUMINAIRE EFFICACY	CCT	CRI	APPROX. INSTALLED WEIGHT	SPACING RATIO	AMP DRAW						
										120V	208V	240V	277V	347V	480V	
Low Bay	LO	D	HHH-5K-LB-LO-D	14279	108	132	5000	83	28	1.3	0.92	0.53	0.46	0.40	0.31	0.22
		N	HHH-5K-LB-LO-N	13914		128				1.0						
		M	HHH-5K-LB-LO-M	14764		136				1.3						
		W	HHH-5K-LB-LO-W	14209		131				1.7						
		No Lens	HHH-5K-LB-LO	15268		141				1.3						
	MO	D	HHH-5K-LB-MO-D	20820	162	129	5000	83	35	1.3	1.37	0.78	0.68	0.60	N/A	N/A
		N	HHH-5K-LB-MO-N	20433		126				1.0						
		M	HHH-5K-LB-MO-M	21814		135				1.3						
		W	HHH-5K-LB-MO-W	20787		129				1.7						
		No Lens	HHH-5K-LB-MO	22650		140				1.3						
	HO	D	HHH-5K-LB-HO-D	27918	215	130	5000	83	48	1.3	1.82	1.04	0.91	0.80	0.61	0.44
		N	HHH-5K-LB-HO-N	27344		127				1.0						
M		HHH-5K-LB-HO-M	29153	135		1.3										
W		HHH-5K-LB-HO-W	27807	129		1.2										
No Lens		HHH-5K-LB-HO	30226	140		1.3										
		CATALOG STRING	LUMEN OUTPUT	WATTS	LUMINAIRE EFFICACY	CCT	CRI	APPROX. INSTALLED WEIGHT	SPACING RATIO	AMP DRAW						
										120V	208V	240V	277V	347V	480V	
High Bay	LO	D	HHH-5K-HB-LO-D	24078	215	112	5000	83	45	1.3	1.82	1.04	0.91	0.80	0.62	0.44
		N	HHH-5K-HB-LO-N	27137		127				1.0						
		M	HHH-5K-HB-LO-M	28786		134				1.3						
		W	HHH-5K-HB-LO-W	27572		129				1.7						
		No Lens	HHH-5K-HB-LO	29791		139				1.3						
	MO	D	HHH-5K-HB-MO-D	36685	323	114	5000	83	54	1.3	2.71	1.55	1.35	1.19	0.92	0.67
		N	HHH-5K-HB-MO-N	40664		126				1.0						
		M	HHH-5K-HB-MO-M	43205		134				1.3						
		W	HHH-5K-HB-MO-W	41167		127				1.7						
		No Lens	HHH-5K-HB-MO	44919		139				1.3						
	HO	D	HHH-5K-HB-HO-D	48824	431	113	5000	83	65	1.3	3.63	2.08	1.82	1.59	1.22	0.86
		N	HHH-5K-HB-HO-N	54038		125				1.0						
M		HHH-5K-HB-HO-M	57540	133		1.3										
W		HHH-5K-HB-HO-W	54948	127		1.7										
No Lens		HHH-5K-HB-HO	59632	137		1.3										



ALERA LIGHTING

ARCHITECTURAL AREA LIGHTING

BEACON PRODUCTS

COLUMBIA LIGHTING

COMPASS

DUAL-LITE

HEALTHCARE SOLUTIONS

HUBBELL CONTROL SOLUTIONS

HUBBELL INDUSTRIAL LIGHTING

HUBBELL OUTDOOR LIGHTING

KIM LIGHTING

KURT VERSEN

LITECONTROL

PRESCOLITE

PROGRESS LIGHTING

SECURITY LIGHTING

WHITEWAY

701 Millennium Blvd. Greenville, SC 29607
Tel 864.678.1000
www.hubbellindustrial.com

08/19

Copyright © 2019 Hubbell Industrial Lighting, a division of Hubbell Lighting, Inc. All rights reserved. All product and company names, logos and product identifiers are trademarks™ or registered trademarks® of Hubbell Lighting, Inc. or their respective owners. Use of them does not necessarily imply any affiliation with or endorsement by such respective owners. Please refer to online specifications for most up-to-date content as specifications are subject to change without notice.