



Color Your Space.

HUBBELL
Industrial Lighting



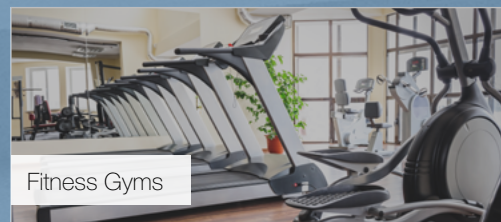


The **Savvano™** is a decorative high bay available in a wide range of decorator friendly colors and available in two sizes (16" and 22"). It has 5 different lumen levels, 3 different reflector options and 5 color temperatures.

Features

- Overall fixture shape and style
- Variety of colors available
- Large selection of reflector sizes and types
- Up to 123 lumens per watt
- Five lumen levels from a low of 8,000 lumens to a max of 28,000 lumens
- 4 reflector bottom lens options

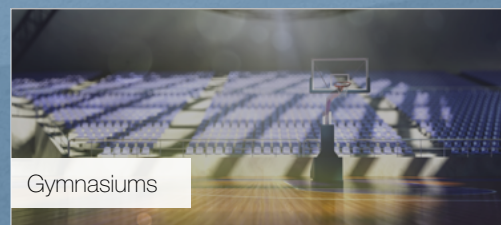
Applications



Fitness Gyms



Schools



Gymnasiums



Retail



CDL



P95 (Frosted Acrylic)
CLR (Clear Acrylic)



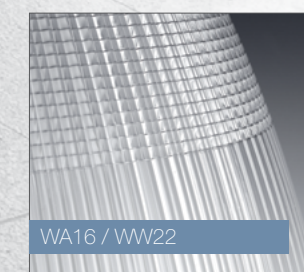
DLR



WW16 / WW22



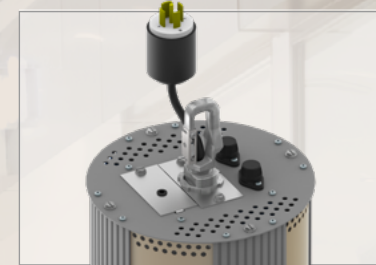
SB16 / SB22



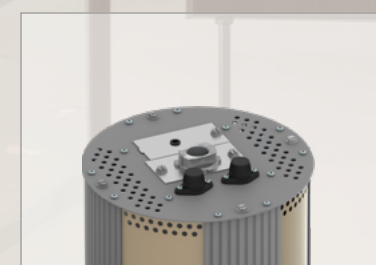
WA16 / WW22



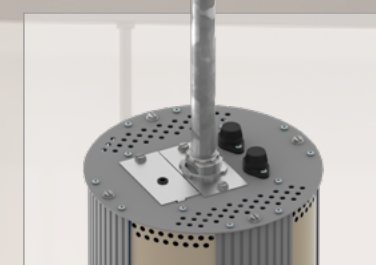
Options and Accessories



HookLoop Cord



Fusing

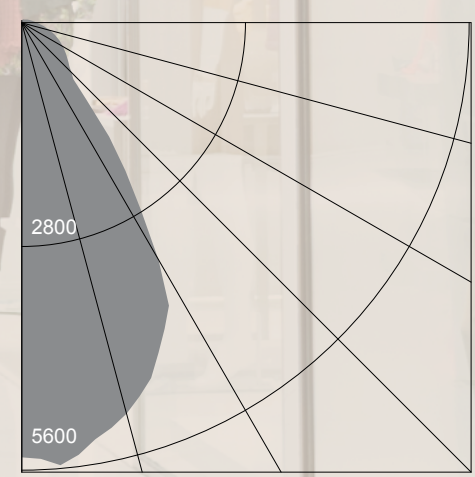


Pendant Mount

Photometry

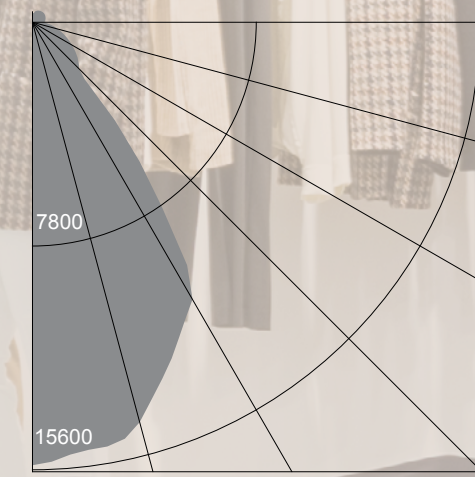
SAV-LH-35-8-SB16-N-U-GG

POLAR GRAPH



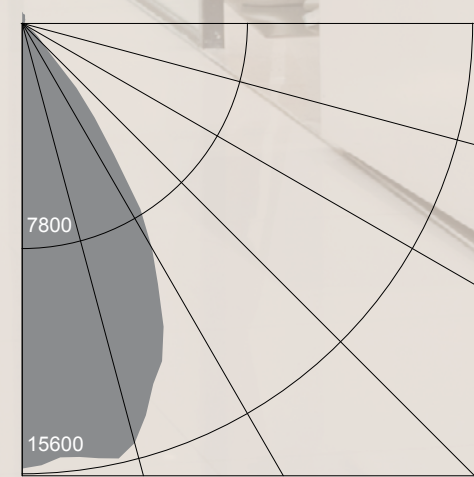
SAV-MH-50-8-WW22-N-U-GG

POLAR GRAPH



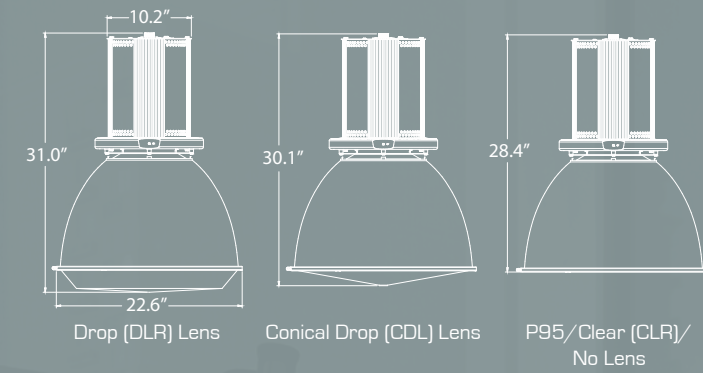
SAV-ML-35-8-WA22-N-U-GG

POLAR GRAPH

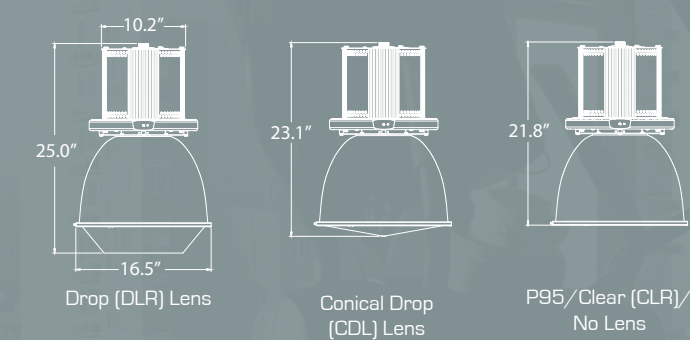


Dimensions

22" Option



16" Option



Electrical Data

LUMENS	CCT	CRI	REFLECTOR	LENS	CAT STRING	LUMEN OUTPUT	WATTS	LUMINAIRE EFFICACY	AMBIENT TEMP RATING	SPACING RATIO	AMPS					
											120V	208V	240V	277V	347V	480V
LH	3500	80	SB16	N	SAV-LH-35-8-SB16-N-X-XX	8329	73	114.6	50°C	0.97	0.61	0.35	0.31	0.27	0.21	0.15
LH	3500	80	WA16	N	SAV-LH-35-8-WA16-N-X-XX	8142		112	50°C	0.9						
LH	3500	80	WW16	N	SAV-LH-35-8-WW16-N-X-XX	7986		109.8	50°C	0.98						
LX	3500	80	SB16	N	SAV-LX-35-8-SB16-N-X-XX	11275	95	117.9	50°C	0.96	0.81	0.47	0.41	0.36	0.28	0.2
LX	3500	80	WA16	N	SAV-LX-35-8-WA16-N-X-XX	10942		114	50°C	0.89						
LX	3500	80	WW16	N	SAV-LX-35-8-WW16-N-X-XX	10783		112.8	50°C	0.97						
ML	3500	80	SB22	N	SAV-ML-35-8-SB22-N-X-XX	18129	153	118	40°C	0.99	1.25	0.73	0.64	0.57	0.45	0.34
ML	3500	80	WA22	N	SAV-ML-35-8-WA22-N-X-XX	17040		110.6	40°C	0.94						
ML	3500	80	WW22	N	SAV-ML-35-8-WW22-N-X-XX	17878		116.7	40°C	1.02						
MM	3500	80	SB22	N	SAV-MM-35-8-SB22-N-X-XX	20296	177	114.3	40°C	0.99	1.48	0.86	0.77	0.68	0.52	0.38
MM	3500	80	WA22	N	SAV-MM-35-8-WA22-N-X-XX	19324		108.7	40°C	0.93						
MM	3500	80	WW22	N	SAV-MM-35-8-WW22-N-X-XX	20293		114.5	40°C	1.02						
MH	3500	80	SB22	N	SAV-MH-35-8-SB22-N-X-XX	24356	219	109.6	40°C	1	1.83	1.04	0.92	0.81	0.64	0.47
MH	3500	80	WA22	N	SAV-MH-35-8-WA22-N-X-XX	23369		105.1	40°C	0.93						
MH	3500	80	WW22	N	SAV-MH-35-8-WW22-N-X-XX	24495		111.7	40°C	1.02						

Replacement Parts

PART NAME	DESCRIPTION	P/N	QTY	
LED BOARDS	LED PCBA	LED Board - MH Output, 3500K CCT, 80 CRI	93076455-2005	1
		LED Board - MM Output, 3500K CCT, 80 CRI	93077856-2005	1
		LED Board - ML Output, 3500K CCT, 80 CRI	93077667-2005	1
		LED Board - LX Output, 3500K CCT, 80 CRI	93076354-2005	1
		LED Board - LH Output, 3500K CCT, 80 CRI	93078098-2005	1
DRIVERS	LED DRIVER	MH Output - 120V-277V	93080133	1
		MH Output - 347V-480V	93081746	1
		MM Output - 120V-277V	93080969	1
		MM Output - 347V-480V	93081746	1
		ML Output - 120V-277V	93080970	1
		ML Output - 347V-480V	93081769	1
		LX Output - 120V-277V	93076331-800	2
		LX Output - 347V-480V	93077419-800	2
		LH Output - 120V-277V	93077416-600	2
		LH Output - 347V-480V	93077419-600	2

Ordering Guide

ORDERING EXAMPLE: SAV-MH-27-8-WA22-P95-U-WW-F(X)



SERIES

SAV Sawano™ LED High Bay

OUTPUT

LH	Low Bay Low Output (8,000 lm)
LX	Low Bay Med Output (12,000 lm)
ML	High Bay Low Output (18,000 lm)
MM	High Bay Med Output (22,000 lm)
MH	High Bay High Output (28,000 lm)

CCT

27	2700K
30	3000K
35	3500K
40	4000K
50	5000K

CRI

8	80 CRI
9	90 CRI

OPTIC

Low Bay - 16"	
SB16	Suspended Bead
WA16	Clear Acrylic
WW16	Translucent White
High Bay - 22"	
SB22	Suspended Bead
WA22	Clear Acrylic
WW22	Translucent White

LENSING

N	None
P95	Frosted Acrylic Lens
CDL	Conical Drop Lens
CLR	Clear Acrylic Lens
DLR	Dropped Lens Reflector

VOLTAGE

U	Universal
1	120V
2	208V
3	240V
4	277V
F	347V
5	480V

COLOR

WW	White Wash
GG	Gunmetal Gray
BL	Black
RD	Red
BS	Blue Steel
CH	Champagne
HG	Hunter Green
SB	Serenity Blue
CR	Currant
WN	Wine

Notes: Custom colors available upon request. Please consult factory for details.

OPTIONS

F(x)	Fusing
C(y)HLP(x)	Cord, Hook, Loop & Plug (15A)
SCL	Sensor Control, Low Voltage*
WG23A	Bottom Wire Guard for SB22, WA22, WW22
WG16	Bottom Wire Guard for SB16, WA16 and WW16

Notes:

* SCL limits ambient temperature to no more than 35°C
* SCL is available in 120V, 277V and 347V only

Replace (x) with the voltage, 1=120V, 2=208V, 3=240V and 4=277V.
Replace (y) with the length, 4=4ft, 6=6ft, 8=8ft., 10=10ft., 12=12ft.



ALERA LIGHTING
ARCHITECTURAL AREA LIGHTING
BEACON PRODUCTS
COLUMBIA LIGHTING
COMPASS
DUAL-LITE
HUBBELL CONTROL SOLUTIONS
HUBBELL INDUSTRIAL LIGHTING
HUBBELL OUTDOOR LIGHTING
KIM LIGHTING
KURT VERSEN
LITECONTROL
PRESCOLITE

HUBBELL®
Industrial Lighting

701 Millennium Blvd. Greenville, SC 29607
Tel 864.678.1000
www.hubbellindustrial.com

08/19

Copyright © 2018 Hubbell Industrial Lighting, a division of Hubbell Lighting. All rights reserved. Please refer to online specifications for most up-to-date content as specifications are subject to change without notice.

HIL_0344_SAV_B