




PHBH THE PERFORMANCE HAZARDOUS LOCATION HIGH BAY

PHBH

THE
PERFORMANCE
HAZARDOUS
LOCATION
HIGH BAY

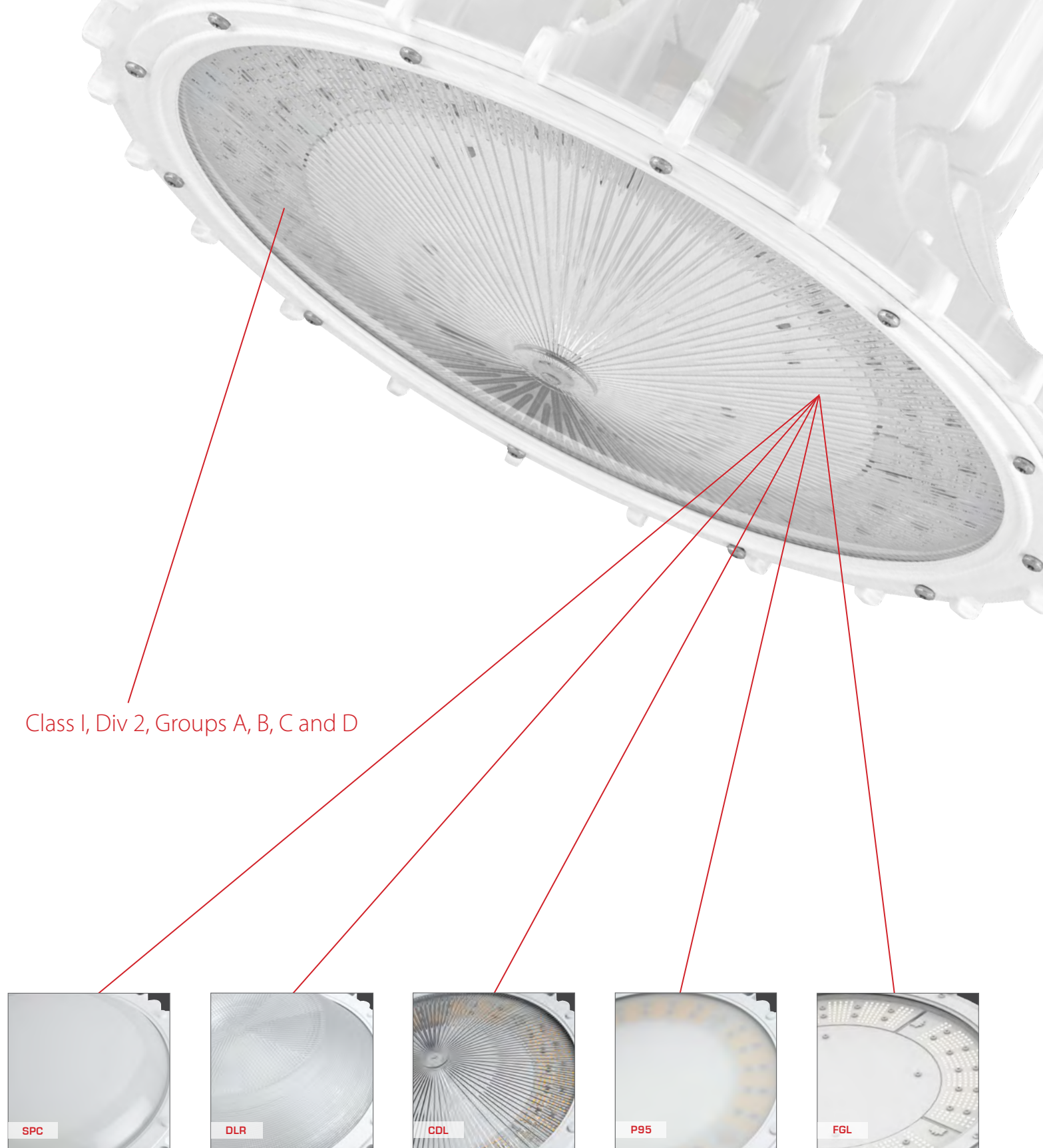
The best high bay for hazardous location lighting.

 Part of the "No Excuses" series

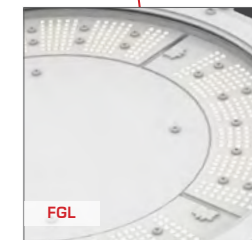


Features

- Tested to and complies with UL844 Class I, Division 2, Groups A, B, C and D
- Up to 28,000 lumens
- Three lumen values (28,000, 20,000 and 14,000)
- Up to a full 65°C with no fold back
- Good side light and up light on the SPC and DLR optics
- Up to 141 Lumens per Watt
- Tested to UL1598 Wet Location by CSA Laboratories



Class I, Div 2, Groups A, B, C and D



FIVE LENS OPTIONS (SOME WITH SIDE LIGHT)

Five different bottom lenses offer shielding and comfort levels. The PHBH is offered in high transmissive flat acrylic, translucent sag polycarbonate, prismatic drop acrylic lens and conical drop acrylic lens. Clear glass lenses are available for those especially dirty applications. The SPC and the DLR offer up light to eliminate the cave effect in industrial facilities.

FOUR MOUNTING OPTIONS

There are four basic mounts, Pendant, Wall Bracket, Cone and 25° Stanchion. Pendant, Wall Bracket and Cone mount have 3/4" or 1" threaded hubs. The 25° Stanchion mount has 1 1/4" or 1 1/2" threaded hubs.



CONE MOUNT



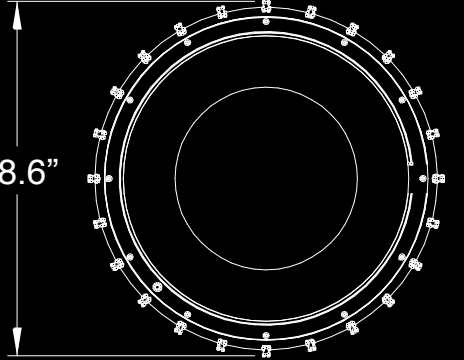
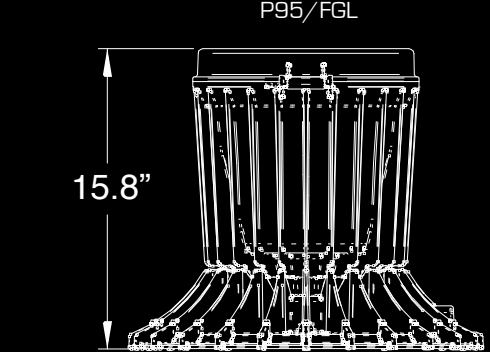
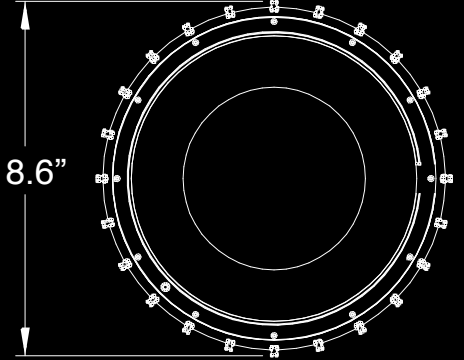
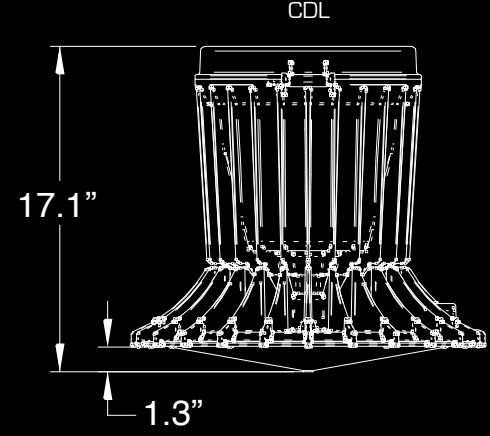
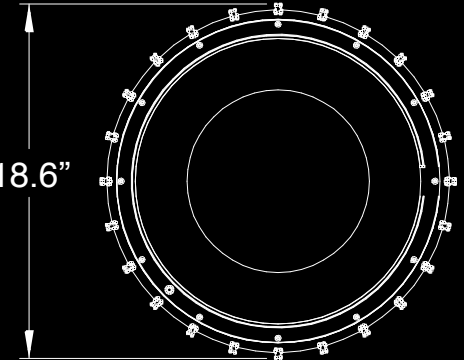
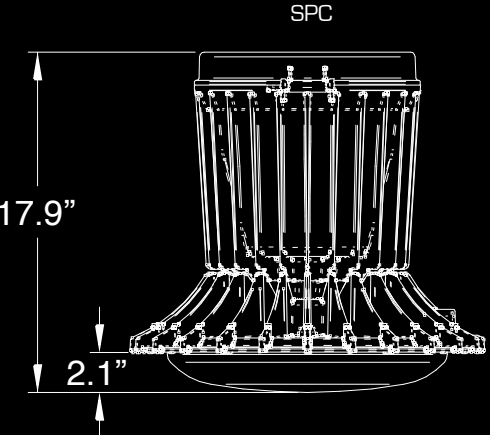
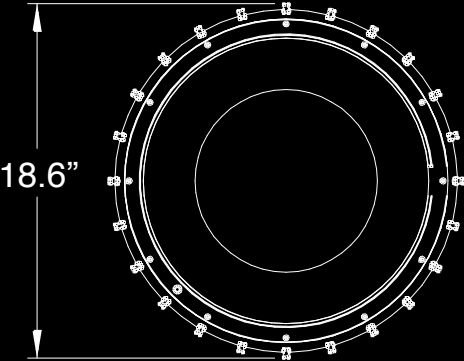
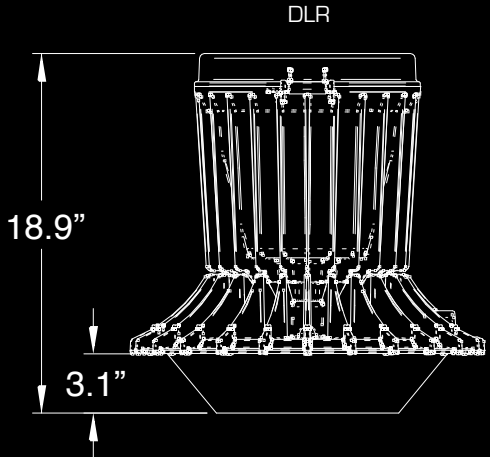
PENDANT MOUNT



WALL MOUNT

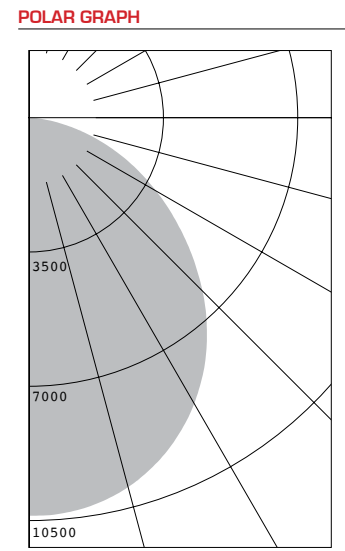
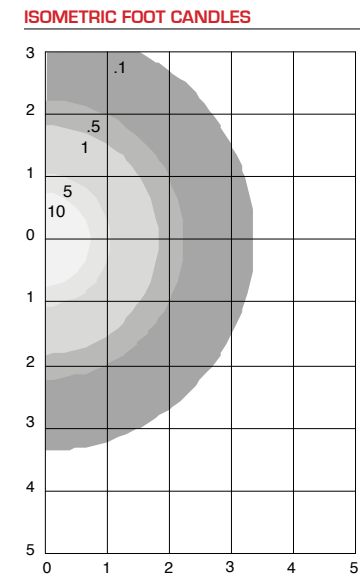


STANCHION



PHOTOMETRIC DATA: IES_PHBH_4K_MM_P95 | 17.00393

LUMINAIRE DATA
PHBH-4K-MM-P95
 Luminaire - The Performance High Bay with P95 Acrylic Flat Lens
DRIVER LEDINTA0024V41DLO
 Driver Factor 1.00
 Lamp LED
 Lumens 27,005
 Watts 215.8
 Efficacy 125.1
 Mounting Pendant
 Spacing Criterion (0-180) 1.23

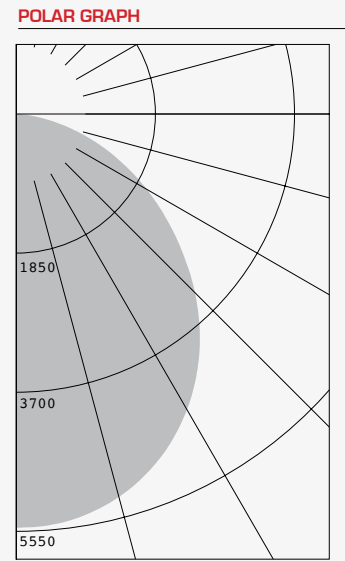
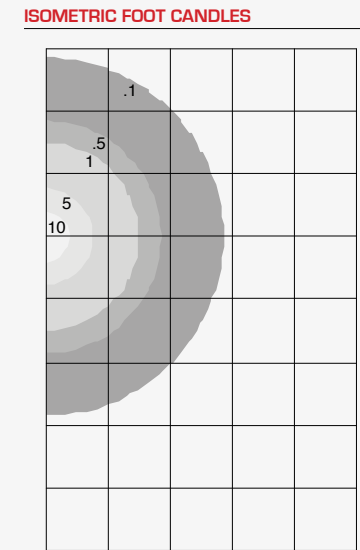


LUMINOUS OPENING IN FEET
 Length 1.50 ft. (Diameter)
 Width 1.25 ft. (Diameter)

ZONE	LUMENS	% FIXT.
0-30	8,011	29.7
0-40	12,978	48.1
0-60	22,073	81.7
0-90	27,004	100.0b
0-180	27,005	100.0

PHOTOMETRIC DATA: IES_PHBH_4K_LV_P95 | 17.00411

LUMINAIRE DATA
PHBH-4K-LV-P95
 Luminaire - The Performance High Bay with SPC sag polycarbonate lens
DRIVER LEDINTA0024V41DLO
 Driver Factor 1.00
 Lamp LED
 Lumens 14,185
 Watts 103.0
 Efficacy 137.7
 Mounting Pendant
 Spacing Criterion (0-180) 1.23

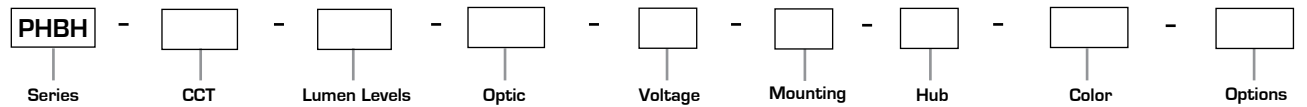


LUMINOUS OPENING IN FEET
 Length 1.50 ft. (Diameter)
 Width 1.25 ft. (Diameter)

ZONE	LUMENS	% FIXT.
0-30	4,235	29.9
0-40	6,853	48.3
0-60	11,630	82.0
0-90	14,185	100.0
0-180	14,185	100.0

ORDERING INFORMATION

ORDERING EXAMPLE: PHBH-5K-LV-P95-U-A-2-WH



SERIES	OPTIC	VOLTAGE	MOUNTING	HUB	COLOR	OPTIONS
PHBH The Performance High Bay	SPC Sag Polycarbonate P95 Acrylic P95 FGL Flat Glass Lens	U Universal 1 120 2 208 3 240 4 277 F 347 5 480	A Pendant B Wall Bracket C Cone D Stanchion 25" N None	2 3/4" (Mounts A, B and C) 3 1" (Mounts A, B and C) 4 1 1/4" (Mount D only) 5 1 1/2" (Mount D only)	WH White GR Gray TN Tan	F[x] Fusing Notes: Replace [X] with the voltage, 1=120V, 2=208V, 3=240V, 4=277V, F=347V and 5=480V

OPTIC
 CDL Prismatic Conical Drop Acrylic
 DLR Prismatic Drop Acrylic

ELECTRICAL DATA

CCT	LUMENS	LENS	CATALOG STRING	LUMEN OUTPUT	WATTS	LUMINAIRE EFFICACY	AMBIENT TEMP. RATING	SPACING RATIO						
									120V	208V	240V	277V	347V	480V
3K	LV	CDL	PHBH-3K-LV-CDL-U-XX-XX	12785	103	124	65°C	1.1	0.87	0.5	0.43	0.38	0.3	0.22
		DLR	PHBH-3K-LV-DLR-U-XX-XX	12713		123								
		SPC	PHBH-3K-LV-SPC-U-XX-XX	12538		122								
		FGL	PHBH-3K-LV-FGL-U-XX-XX	14166		137								
		P95	PHBH-3K-LV-P95-U-XX-XX	13518		131								
	ML	CDL	PHBH-3K-ML-CDL-U-XX-XX	18695	156	126	65°C	1.1	1.33	0.76	0.66	0.51	-	-
		DLR	PHBH-3K-ML-DLR-U-XX-XX	17811		120								
		SPC	PHBH-3K-ML-SPC-U-XX-XX	18179		122								
		FGL	PHBH-3K-ML-FGL-U-XX-XX	20478		130								
		P95	PHBH-3K-ML-P95-U-XX-XX	19604		132								
	MM	CDL	PHBH-3K-MM-CDL-U-XX-XX	24492	216	113	60°C	1.1	1.85	1.05	0.91	0.79	0.63	0.47
		DLR	PHBH-3K-MM-DLR-U-XX-XX	24129		112								
SPC		PHBH-3K-MM-SPC-U-XX-XX	23855	110										
FGL		PHBH-3K-MM-FGL-U-XX-XX	26609	122										
P95		PHBH-3K-MM-P95-U-XX-XX	25736	119										
4K	LV	CDL	PHBH-4K-LV-CDL-U-XX-XX	13416	103	130	65°C	1.1	0.87	0.5	0.43	0.38	0.3	0.22
		DLR	PHBH-4K-LV-DLR-U-XX-XX	13340		130								
		SPC	PHBH-4K-LV-SPC-U-XX-XX	13156		128								
		FGL	PHBH-4K-LV-FGL-U-XX-XX	14865		143								
		P95	PHBH-4K-LV-P95-U-XX-XX	14185		138								
	ML	CDL	PHBH-4K-ML-CDL-U-XX-XX	19617	156	126	65°C	1.1	1.33	0.76	0.66	0.51	-	-
		DLR	PHBH-4K-ML-DLR-U-XX-XX	18689		120								
		SPC	PHBH-4K-ML-SPC-U-XX-XX	19076		122								
		FGL	PHBH-4K-ML-FGL-U-XX-XX	21488		137								
		P95	PHBH-4K-ML-P95-U-XX-XX	20571		132								
	MM	CDL	PHBH-4K-MM-CDL-U-XX-XX	25700	216	119	60°C	1.1	1.85	1.05	0.91	0.79	0.63	0.47
		DLR	PHBH-4K-MM-DLR-U-XX-XX	25319		117								
SPC		PHBH-4K-MM-SPC-U-XX-XX	25031	116										
FGL		PHBH-4K-MM-FGL-U-XX-XX	27648	128										
P95		PHBH-4K-MM-P95-U-XX-XX	27005	125										
5K	LV	CDL	PHBH-5K-LV-CDL-U-XX-XX	13778	103	134	65°C	1.1	0.87	0.5	0.43	0.38	0.3	0.22
		DLR	PHBH-5K-LV-DLR-U-XX-XX	13700		133								
		SPC	PHBH-5K-LV-SPC-U-XX-XX	13511		131								
		FGL	PHBH-5K-LV-FGL-U-XX-XX	15266		147								
		P95	PHBH-5K-LV-P95-U-XX-XX	14568		141								
	ML	CDL	PHBH-5K-ML-CDL-U-XX-XX	20147	156	126	65°C	1.1	1.33	0.76	0.66	0.51	-	-
		DLR	PHBH-5K-ML-DLR-U-XX-XX	19194		120								
		SPC	PHBH-5K-ML-SPC-U-XX-XX	19591		122								
		FGL	PHBH-5K-ML-FGL-U-XX-XX	22068		137								
		P95	PHBH-5K-ML-P95-U-XX-XX	21126		132								
	MM	CDL	PHBH-5K-MM-CDL-U-XX-XX	26394	216	122	60°C	1.1	1.85	1.05	0.91	0.79	0.63	0.47
		DLR	PHBH-5K-MM-DLR-U-XX-XX	26003		120								
SPC		PHBH-5K-MM-SPC-U-XX-XX	25707	119										
FGL		PHBH-5K-MM-FGL-U-XX-XX	27921	128										
P95		PHBH-5K-MM-P95-U-XX-XX	27734	128										





ALERA LIGHTING
ARCHITECTURAL AREA LIGHTING
BEACON PRODUCTS
COLUMBIA LIGHTING
COMPASS
DUAL-LITE
HUBBELL CONTROL SOLUTIONS
HUBBELL INDUSTRIAL LIGHTING
HUBBELL OUTDOOR LIGHTING
KIM LIGHTING
KURT VERSEN
LITECONTROL
PRESCOLITE



HUBBELL®
Industrial Lighting

701 Millennium Blvd. Greenville, SC 29607
Tel 864.678.1000
www.hubbellindustrial.com

12/18

© 2018 Hubbell Industrial Lighting. All rights reserved. Please refer to online specifications for most up-to-date content as specifications are subject to change without notice.

HIL_0430_PHBH_B | 12/18