



SITE/ROADWAY

BNM
SERIES

MiniBounce™

S U P P L E M E N T

P o l e a n d W a l l M o u n t e d L u m i n a i r e s



KIM LIGHTING

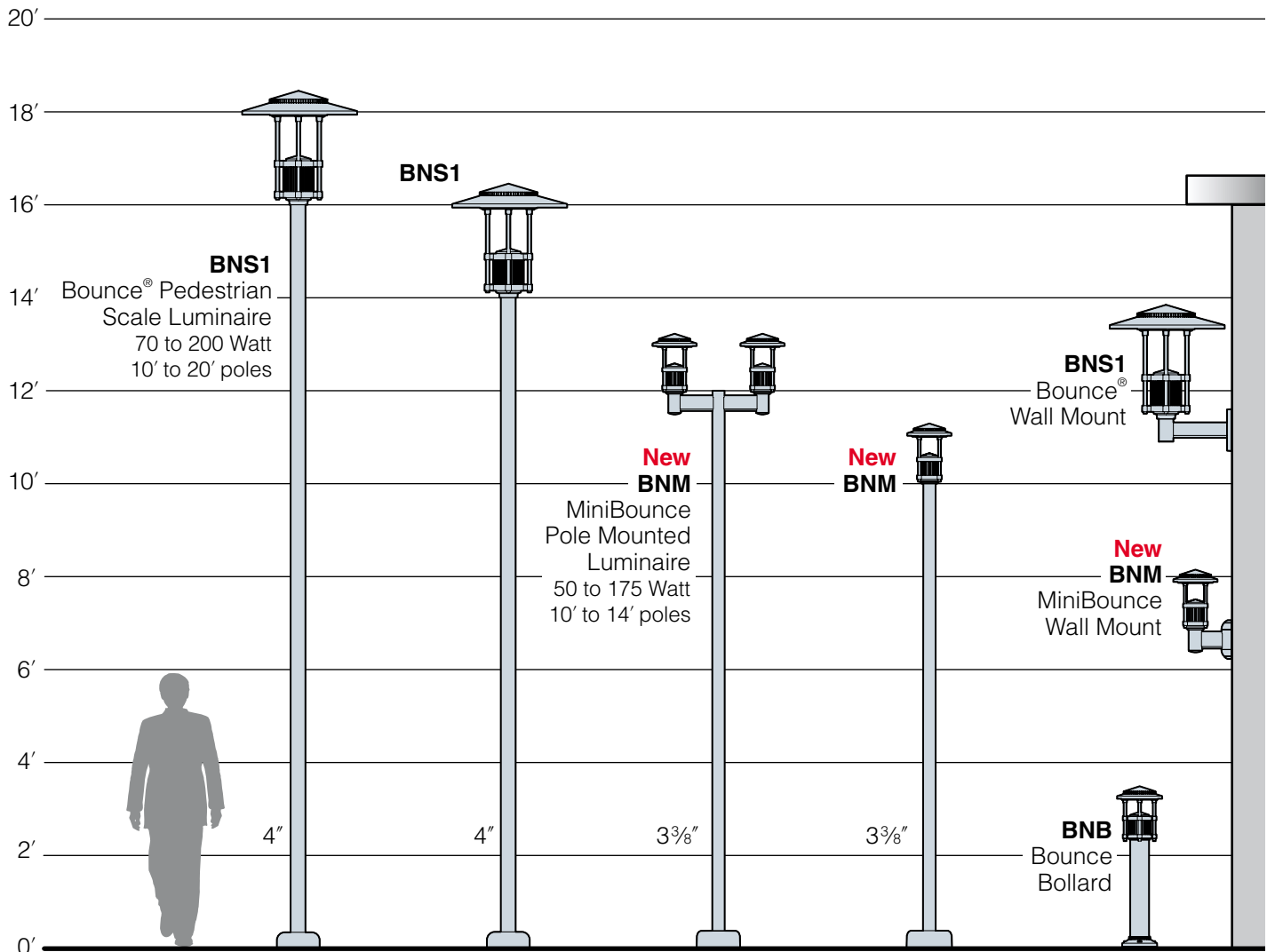
Introducing MiniBounce™

Pole and Wall Mounted Luminaires

Unlike typical lantern style products that emit the majority of their light in the horizontal plane, the Kim Lighting Bounce Series employs an ingenious patented cutoff optical system for efficient distribution of illumination onto the ground surface, and incorporates a controlled up-light feature for a comfortable, subtle, and unique nighttime presence. Kim Lighting has expanded its popular Bounce Series to now include a new smaller-scale version for pole or wall mounting in pedestrian zones, congregation points, pathways, perimeters, or other lower-mount applications. MiniBounce is ideal for traditional or

contemporary architecture requiring a striking European accent, especially in commercial, retail, hospitality, and multi-family residential projects. MiniBounce matches perfectly with Kim Lighting's Bounce Bollard as well as larger-scale Bounce luminaires used in area, site, and roadway illumination.

Visit www.kimlighting.com for complete specification, ordering, and photometry information on the entire Bounce family of luminaires.



SITE / AREA
PARKING STRUCTURE
ROADWAY
ARCHITECTURAL FLOOD
ACCENT
LANDSCAPE

MAILING ADDRESS:
 P.O. BOX 60080
 CITY OF INDUSTRY, CA
 91716-0080

ISO 9001:2000

BUSINESS ADDRESS:
 16555 EAST GALE AVENUE
 CITY OF INDUSTRY, CA 91745
 U.S.A.

PHONE 626 / 968 - 5666
 FAX 626 / 369 - 2695
www.kimlighting.com

Printed in U.S.A.
 5505006303
 Version 1.1 (10/06)



Hubbell
 Lighting, Inc.

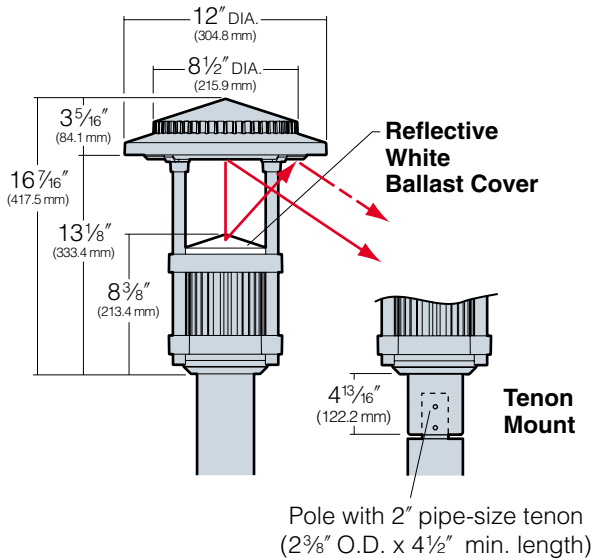
Because of a continuing product improvement program, Kim Lighting reserves the right to change specifications without notice.



MiniBounce™ Luminaire Features

MiniBounce offers all of the Kim trademarks found in other Bounce products, including rugged die-cast construction, a fully sealed high performance optical system, and simple installation and maintenance features.

NEW MiniBounce Pole Mount



Performance Optics

MiniBounce utilizes a die-cast aluminum optical chamber to provide a rigid foundation for the high efficiency reflector components resulting in the most durable, accurate, and highly repeatable optical system possible. The optical chamber is completely sealed to eliminate intrusion of contaminants, increase efficiency, and maximize light output between maintenance intervals.

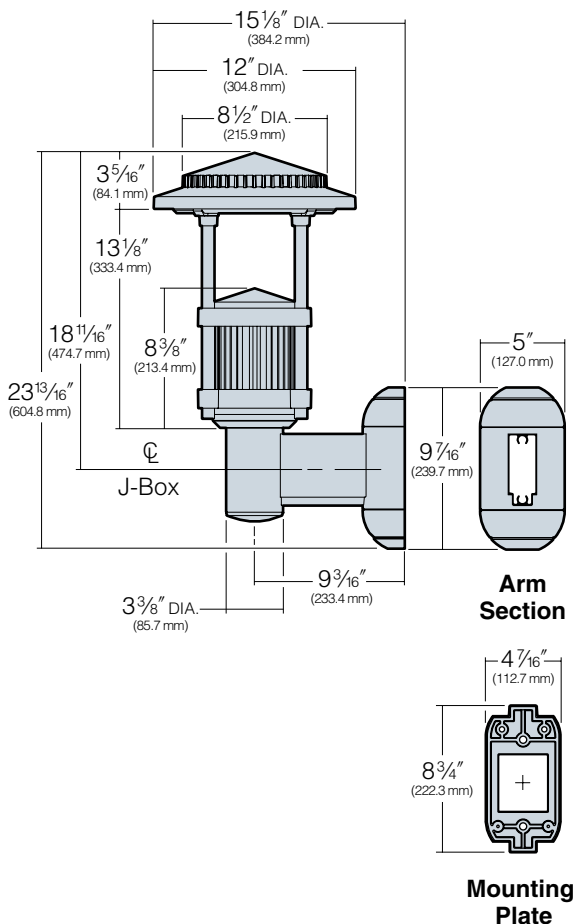
Precision Components

MiniBounce's hood and ballast chamber cover are die-cast aluminum for precision and repeatability. The ballast housing and support rods are extruded aluminum. Use of low-copper aluminum alloys provides trouble-free service and corrosion resistance. (Optional black ballast cover for StarView™ compliance, shown.)

Easy Installation and Maintenance

MiniBounce's lamp access is easily achieved by hinging open the hood that is retained by three concealed stainless steel captive screws. In addition, the ballast module is factory mounted to a rigid harness attached inside the body support for trouble-free access and maintenance.

NEW MiniBounce Wall Mount



Wall Mount

The wall mounted MiniBounce includes a cast mounting plate, a cast cover plate, an extruded arm and riser with cast end caps.

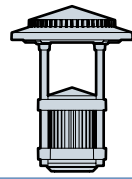
Multiple Options

Several solutions-oriented options are offered with MiniBounce including fusing, G12 socket, and houseside shielding, as well as a variety of lamp types and wattages.

Five Super TGIC thermoset polyester powder coat finishes are standard and custom colors are also available.

Additionally, StarView compliant fixtures are available with full cutoff distribution, for use in areas sensitive to light trespass and pollution. Order Cat. No. **BBC** - Black Ballast Cover.





Ordering Information

BNM MiniBounce™

Ordering Example:
For Standard Fixture and Pole

Mounting Fixture Electrical Module Finish Options Pole

FM / BNM / 100HPS277 / PS-P / HS / SF / PRA14-34188FM / PS-P

1 2 3 4 5-9 See Kim Pole Catalog (**PRA** or **KRS**)
Omit for **1W** Wall Mount

1 Mounting:

Flush Mount	Tenon Mount	Twin Mount	Quad Mount	Wall Mount	
EPA: Cat. No.:	1.0 FM	1.0 PT	3.0 2B	4.5 4C	n/a 1W

2 Fixture:

Cat. No. designates **BNM** fixture and light distribution.
Horizontal lamp and flat glass lens standard.

Light Distribution:	Type V Round	
Cat. No.:	BNM	

3 Electrical Module:

PMH = Pulse Start Metal Halide
MH = Metal Halide
HPS = High Pressure Sodium
PL = Compact Fluorescent Triple Tube

Refer to lamp and electrical data on page 5 for a complete list of available sources and modules.

Lamp Watts	Lamp Type	Line Volts
100	HPS	277

Pulse Start Metal Halide		Metal Halide	High Pressure Sodium		Compact Fluorescent
35PMH120	100PMH120	175MH120	70HPS120	150HPS120	42PL120'
35PMH208	100PMH208	175MH208	70HPS208	150HPS208	42PL208'
35PMH240	100PMH240	175MH240	70HPS240	150HPS240	42PL240'
35PMH277	100PMH277	175MH277	70HPS277	150HPS277	42PL277'
35PMH347	100PMH347	175MH347	70HPS347	150HPS347	
70PMH120	150PMH120		100HPS120		
70PMH208	150PMH208		100HPS208		
70PMH240	150PMH240		100HPS240		
70PMH277	150PMH277		100HPS277		
70PMH347	150PMH347		100HPS347		

¹**42PL** Operates one 26W, 32W, or 42W triple tube compact fluorescent lamp at 120 thru 277 volts (50-60 Hz).

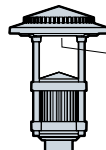
NOTE: To reduce shadowing from the luminaire support arms, coated lamps recommended.

4 Finish:

Super TGIC powder coat paint over titanated zirconium conversion coating.

Color:	Black	Dark Bronze	Light Gray	Platinum Silver	White	Custom Colors
Cat. No.:	BL-P	DB-P	LG-P	PS-P	WH-P	CC-P
						Consult representative for custom colors.

5 Optional Houseside Shield:



Cat. No.: **HS**
Houseside Shield



Optional shield made of stamped louvered aluminum allows streetside light to pass while blocking houseside light. Blackened reflector panels within the reflector also reduces the houseside reflection.

6 Optional Fusing:

Line Volts:	120V	208V	240V	277V	347V
Cat. No.:	SF	DF	DF	SF	SF

7 Optional G12 Base Socket:

Cat. No.: **G12**

Optional G12 base socket is available for 35W, 70W, and 150W metal halide T-6 bi-pin lamps. Must use UV filtering lamp.

8 Optional Battery Back-up:

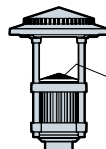
For compact fluorescent only.



Cat. No.: **EM**

Internal battery pack provides 90 minutes of supplemental light at 750 lamp lumens on 42 watt compact fluorescent lamps.

9 Optional StarView™ Black Ballast Cover:



Cat. No.: **BBC**

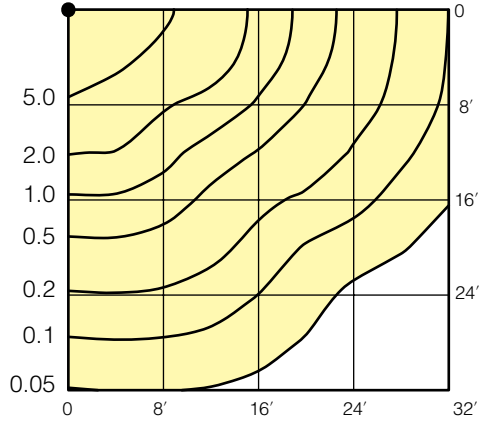
Black Ballast Cover

For locations where complete cutoff optical control is desired, Kim's StarView™ optional matte black ballast cover can be specified. This option reduces the indirect uplight distribution for use in areas where light pollution and trespass is a concern and to promote celestial visibility at night.

Photometric Guide

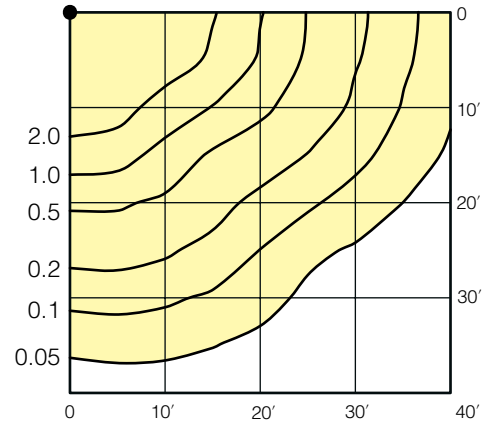
BNM / 100PMH-ED17

8' Mounting Height / Horizontal Footcandles



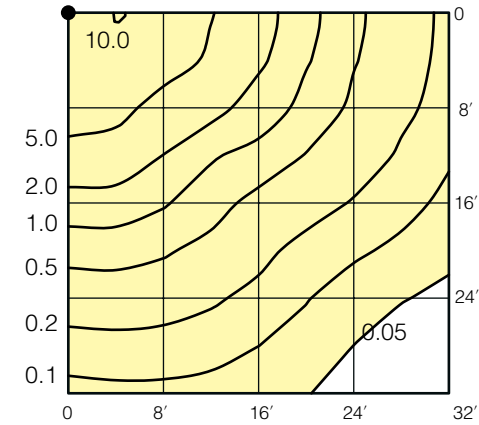
BNM / 100PMH-ED17

10' Mounting Height / Horizontal Footcandles



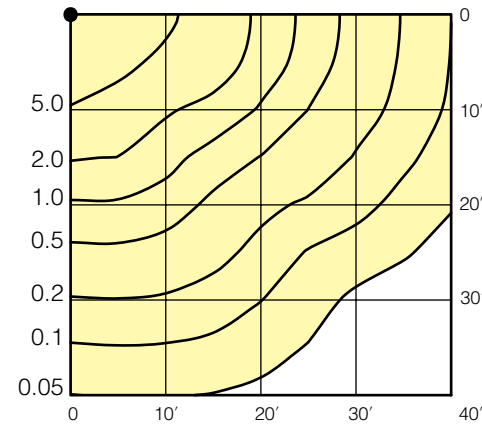
BNM / 175MH-ED17

8' Mounting Height / Horizontal Footcandles



BNM / 175MH-ED17

10' Mounting Height / Horizontal Footcandles



Lamp and Electrical Guide

Lamp	Lamp Watts	ANSI Ballast Type	Life (Hours)	Initial Lumens ¹	Voltage	Operating Amps.	Open Circuit	Starting Amps.	Max. Amps.
HIGH PRESSURE SODIUM									
70HPS ED-17 Coated Medium Base	70	S-62	24000	5860	120	0.81	1.45	0.75	1.45
					208	0.47	0.85	0.45	0.85
					240	0.40	0.75	0.37	0.75
					277	0.35	0.65	0.35	0.65
					347	0.30	0.55	0.30	0.55
100HPS ED-17 Coated Medium Base	100	S-54	24000	8800	120	1.15	2.20	1.30	2.20
					208	0.67	1.25	0.75	1.25
					240	0.58	1.10	0.65	1.10
					277	0.50	0.85	0.60	0.85
150HPS ED-17 Coated Medium Base	150	S-55	24000+	15000	120	1.65	2.80	2.00	2.80
					208	0.95	1.60	1.15	1.60
					240	0.83	1.40	1.00	1.40
					277	0.72	1.25	0.85	1.25
35PMH T-6 Clear G12 Base	35	M-130	12000+	3400	120	0.52	0.82	0.53	0.82
					208	0.30	0.48	0.31	0.48
					240	0.27	0.42	0.28	0.42
					277	0.22	0.36	0.23	0.36
					347	0.20	0.30	0.21	0.30
70PMH ED-17 Coated Medium Base T-6 Clear G12 Base	70	M-98	15000+/ 10000+	6200/ 5900	120	0.85	1.70	0.80	1.70
			12000	6600	208	0.52	1.04	0.50	1.04
					240	0.44	0.87	0.43	0.87
					277	0.39	0.78	0.39	0.78
					347	0.28	0.65	0.20	0.65
100PMH ED-17 Coated Medium Base	100	M-140 M-90	16000	8500	120	1.15	2.30	1.20	2.30
					208	0.66	1.40	0.80	1.40
					240	0.58	1.15	0.65	1.15
					277	0.50	1.00	0.60	1.00
					347	0.40	1.00	0.40	1.00
150PMH ED-17 Coated Medium Base T-6 Clear G12 Base	150	M-102	15000+/ 11000+	14000/ 12800	120	1.60	3.65	1.75	3.65
			12000	14000	208	1.00	2.10	1.30	2.10
					240	0.80	1.80	0.85	1.80
					277	0.70	1.58	0.77	1.58
					347	0.55	1.25	0.65	1.25
METAL HALIDE									
175MH ED-17 Coated Medium Base	175	M-57	6000+	11300	120	1.80	1.80	1.30	1.80
					208	1.04	1.04	0.75	1.04
					240	0.90	0.90	0.65	0.90
					277	0.80	0.80	0.55	0.80
					347	0.65	0.70	0.50	0.70
COMPACT FLUORESCENT									
42PL Coated GX24q-3 Base	42	-	10000	3200	120	-	-	0.39	0.39
					208	-	-	0.23	0.23
					240	-	-	0.20	0.20
					277	-	-	0.17	0.17

¹All initial lumen values and rated life shown may vary, from one manufacturer to another. Consult lamp manufacturer's data for exact lumen and life data.

NOTE: For lamp/ballast information outside of the U.S.A. and Canada, please consult your local Kim representative.

WARNING: All fixtures must be grounded in accordance with local codes or the National Electrical Code. Failure to do so may result in serious personal injury. Lamps by others.