

Miniliter® LED Flood



NEW Miniliter® MHS LED Floodlight!

Hubbell Outdoor Lighting's proven Miniliter® MHS design is now available in LED. The new LED flood features multiple beam patterns and color temperatures, two mounting options, a rugged design and the highest energy efficiency to solve your floodlighting needs.

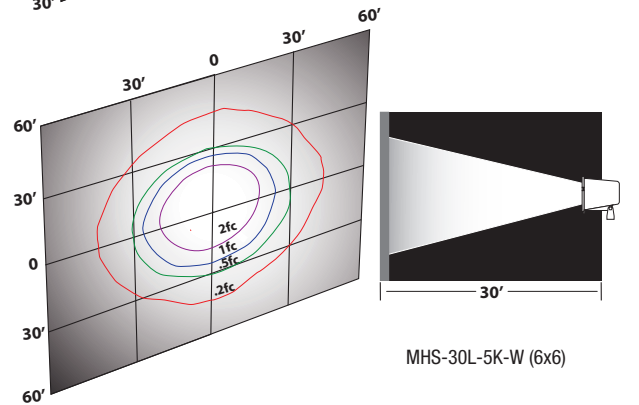
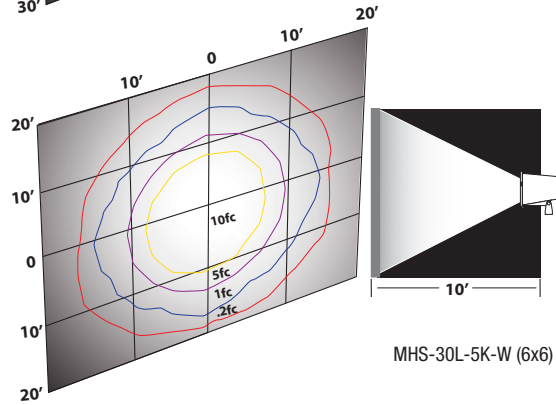
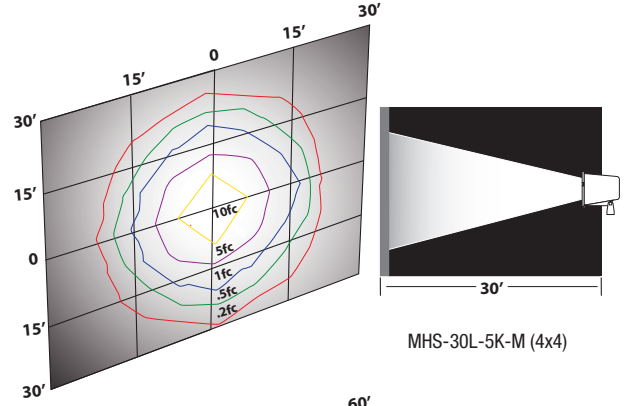
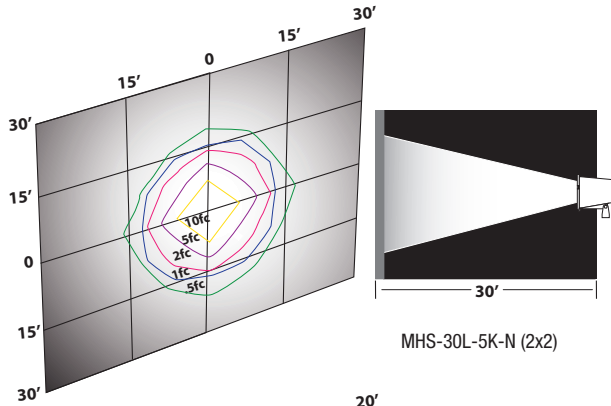
Key Features & Benefits

- Energy-efficient yet powerful 30 LED floodlight
- 87-97 lumens per watt with up to 6800 lumens
- Variety of beam spreads 2x2, 4x4, 5x3 and 6x6
- Universal voltage (120-277V)
- Contractor friendly features – tool-free entry and yoke or knuckle mount options
- Five standard finishes: Dark Bronze, Black, Gray, White, Platinum
- Die-cast aluminum construction with durable powder paint finish and stainless steel latches
- 10KA surge protector
- DLC pending
- Listed to UL1598 for use in wet locations



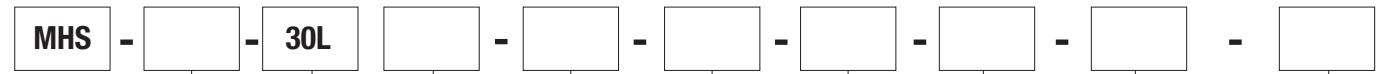
ORDERING INFORMATION ON REVERSE SIDE 

PERFORMANCE



ORDERING INFORMATION

ORDERING EXAMPLE: MHS-Y-30LU-5K-N-BZ

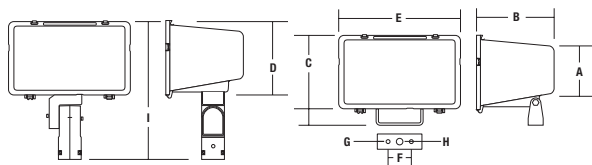


FAMILY	MOUNTING	# LEDS	VOLTAGE ²	LED COLOR	BEAM	DRIVE CURRENT	FIXTURE COLOR	PC	OPTIONS
MHS	Y Yoke K Knuckle	30L	U ¹ 120V-277V 1 120V 2 208V 3 240V 4 277V	3K 3000K 4K 4200K 5K 5100K	N Narrow (Narrow 3x3) M Medium (Wide 3x3) RM Rectangular (5x5) W Wide (Wide 6x6)	BLANK 700mA	BZ Bronze BL Black WH White GR Gray PS Platinum CC Custom Color	PC Photo control (voltage specified and determined by voltage field)	F Fusing (voltage specified and determined by voltage field)

1 - N/A PC and F options

2 - Specify voltage for PC and Fusing options

DIMENSIONS



MHS KNUCKLE MOUNT

MHS YOKE MOUNT

A	B	C	D	E	F	G	H	I
6 1/2"	14 1/2"	12"	9 7/8"	16 1/4"	3 1/8"	17/32"	7/8"	17"
165 mm	368 mm	305 mm	251 mm	413 mm	79 mm	14 mm	22 mm	432 mm