



CHANCE[®]

Tool Repair & Storage



Catalog 2500 March 2020

Tool Repair & Storage -2500



Care, Storage and Repair of Epoxiglas® Tools

Epoxiglas® Hot Sticks



Features & Applications

- Chance introduced Epoxiglas® in 1957
- The result of a three-year research and development program
- Epoxiglas® consists of thousands of epoxy resin-impregnated glass fibers
- Fibers are wound around and laid lengthwise over a unicellular plastic foam core
- Foam core consists of millions of individual cells
- Cells contain a low boiling inert material which inhibits moisture absorption and condensation
- Unicellular foam is bonded to reinforced walls to obtain a foam integrity that cannot be matched by other tool manufacturing methods
- Electrical and mechanical advantages of Epoxiglas® Hot Line Tools have been verified by their acceptance for stringent requirements of hot line maintenance

Care of Epoxiglas® Hot Line Tools

- Proper care will result in longer tool life, safety and crew confidence
- Keeping hot line tools dry is a key factor in their care
- They should never be laid directly on the ground
- Keep in truck or a tool trailer until ready for use
- Place on a tool rack near the groundman when ready for use
- A clean dry tarpaulin should be spread to prevent tools from contacting ground
- Most line crews have groundman wipe hot stick clean
- This is performed with a silicone impregnated Chance Hot Stick Wiping Cloth immediately before it is sent up the structure for use on energized lines



Cleaning a pole with Chance Moisture Eater II

Cleaning Epoxiglas® Hot Line Tools

- Clean and regloss after approximately 10 wipedowns with Moisture Eater II
- Clean and regloss when contaminated by moisture-bearing and conductive materials
- Use Chance cleaner-solvent, Moisture Eater II
- Cleaner can be applied with a non-abrasive cloth
- For heavy contamination, use abrasive cleaning pads
- If gloss finish of pole has been removed, it can be returned to factory conditions by coating with Chance Gloss Restorer
- This forms a clear, tough coating to prevent future contamination



Repairing Small Ruptures

- Surface ruptures in Epoxiglas should be repaired as soon as discovered
- Repairs can be made by removing damaged fibers, cleaning the void with Chance Moisture Eater II and applying Chance Epoxiglas Bond
- After patch has set, refinish pole (after 24-hour cure time) with Epoxiglas® Gloss Restorer and it is ready for use

Protecting Tools during Transportation

- Containers or bags should be used to prevent damage to surfaces of individual tools
- Tools should be mounted on racks in trucks or trailers
- Racks should be well padded and hold tools firmly in order to prevent damage

Epoxiglas® Cleaning Kit

Features & Applications

- Essential for care and maintenance of Epoxiglas® tools
- Also cleans insulated boom sections of aerial lift trucks
- Helps to ensure maximum life of Epoxiglas products
- Do not use on Gel-Coat or painted boom surfaces

4 Parts Of The Kit

1. **Moisture Eater II** — This cleaner should be used on contaminated Epoxiglas during general tool maintenance and in preparation for reglossing a tool's surface. Moisture Eater removes moisture and a wide variety of contaminants such as dirt, tar, grease, tree sap, light metal rubbings and old surface coatings without harming the Epoxiglas material
2. **Abrasive Cleaning Pads** — These pads are used in conjunction with Moisture Eater II to remove contamination that clings to the tool or contamination ground into scars and scuffs in the tools surface. Gloss restorer must be applied after using these pads since cleaning with Moisture Eater II will remove the glossy finish on the tool as well as contamination. The pads may also be used on metal parts to remove oxides and surface corrosion
3. **Gloss Restorer Kit** — This kit consists of two parts. When mixed and applied to the surface of a cleaned Epoxiglas tool they combine to form a clear, tough coating that replaces the original gloss and protects against contamination and moisture



4. **Hot Stick Wiping Cloths** — Silicone impregnated cloths are used to wipe down mildly contaminated Epoxiglas, removing dust and dirt, and depositing a thin protective film on the surface of the tool. They give an added measure of protection when used after recoating with gloss restorer

Moisture Eater II Cleaner-Solvent for hot-line tools, line hose and blankets

Features & Applications

- Strong solvent for water and conductive contaminants
- Safe to Earth's ozone layer – free of chlorinated hydrocarbons
- More economical, easier to work with due to lower evaporation rate
- Pleasant, orange scent from citrus-based biodegradable component

Less Waste

- Contains no water and absorbs water in its presence
- Removes twice as much water as the original Moisture Eater
- Minimizes chemical waste
- Unique formula of Moisture Eater II gives it a much lower evaporation rate than original formula and other hot-line tool cleaners

Environment-Friendly Advantages

- New formula consists of two solvents:
 - o One for oils, waxes and silicone-type contamination
 - o One for moisture contamination
- This combination is ideally suited for cleaning hot-line tools
- A by-product of citrus fruit, one component is biodegradable; the other component protects it from decomposing until used

Catalog No.	Description
C4002364	Moisture Eater II Cleaner, 1 gal./4.23 liters
C4002365	Epoxiglas Cleaning Kit*
The above kit consists of the following items: (Each may also be ordered separately.)	
C4002364	1 Moisture Eater II Cleaner, 1 gal./4.23 liters
C4001166	2 Abrasive Cleaning Pads (box of 20)
C4001520	3 Gloss Restorer Kit
M1904	4 Hot Stick Wiping Cloth (*2 in Kit above)

- Reformulation eliminates chlorinated solvents harmful to Earth's ozone layer
- For more technical details, refer to Material Safety Data Sheet ABC/C56

Available in 1-gallon jug as
Catalog No. C4002364
 (also comes in Epoxiglas Cleaning Kit).



CHANCE®

Moisture Eater II Wipes for hot-line tools, rubber line hose & blankets

Features & Applications

- Economical, individual packets encourage daily use
Helps utilities stay in compliance with OSHA 29 CFR 1910.269(j)

Packaged For Convenience

- Small pocket-sized packets
- For cleaning of insulated hot-line tools, line hose and rubber blankets
- Zip open a foil packet and pull out the pre-moistened, lint-free towel
- Each wipe is saturated with a half ounce of orange-scented Moisture Eater II solvent

- Hanger box holds 50 wipes – handy for crew bays, trailers, and trucks
- Sealed wipes mean no more rags to store or try to keep clean in the field
- No more jugs to stow, big spills, evaporation losses or wasteful excesses



Workable, Environment-Friendly Formula

- Eliminates waste while thoroughly clean tools
- Much lower evaporation rate than other hot-line tool cleaners
- Contains no water and absorbs water in its presence
- Does not contain chlorinated solvents harmful to the Earth's ozone layer
- New formula consists of two solvents:
 - o One for oils, waxes and silicone-type contamination
 - o One for moisture contamination
- This combination is ideally suited for cleaning hot-line tools
- A by-product of citrus fruit, one component is biodegradable; the other component protects it from decomposing until used
- Reformulation eliminates chlorinated solvents harmful to Earth's ozone layer
- For more technical details, refer to Material Safety Data Sheet ABC/C56



Line hose and rubber blankets clean up easily with Moisture Eater II wipes.

Ordering Information

Catalog No.	Description	Weight
C4002538	Moisture Eater II Wipes (1 box of 50 packets)	2.7 lb. (1.2 kg.)



Phone: 573-682-5521 Email: hpsliterature@hubbell.com Web: hubbellpowersystems.com

Silicone Wipes for hot-line tools

Features & Applications

- Economical, individual packets encourage daily use
- Packaged for easy access on the jobsite
- Easy way to encourage daily cleaning
- Helps utilities stay in compliance with OSHA 29 CFR 1910.269(j)

Simple and convenient:

- **Easy-open**
- **Single-use**
- **Disposable**

Quick & Easy Extra Protection

- Small pocket-sized packets
- Encourage frequent care of insulated hot-line tools
- Hanger box holds 50 wipes – handy for crew bays, trailers, and trucks
- Sealed wipes mean no more rags to store or try to keep clean in the field
- Zip open a foil packet and pull out the pre-moistened, lint-free towel
- Silicone-saturated 8 x 10" lint-free towel easily cleans hotsticks
- Contain same silicone as Hot Stick Wiping Cloths in Chance Epoxiglas® Cleaning Kit
- Using cloths or Silicone Wipes on fiberglass tools removes dust
- Thin, protective coat helps resist accumulation of dirt and contaminants
- The last step in everyday clean-and-wipe routine
- Replaces protective film that cleaners such as Moisture Eater II remove
- Also preserves tool surfaces
- Used after Chance Gloss Restorer, sealed and disposable wipes ensure a clean application of a preservative layer on new surfaces



Ordering Information

Catalog Number	Description	Weight
C4002568	Silicone Wipes, one box of 50 packets	1.8 lb. (0.8 kg.)

Silicone Lubricant for flexible line hose and general applications

Features & Applications

- Makes line hose easy to put on and slide into place
- Silicone material also serves as a multi-purpose lubricant
- Handy 10 oz. size aerosol package provides convenient applicator to coat all interior line hose surfaces
- Simply spread open the hose near one end and direct the can nozzle's wide spray pattern inside, working down the hose to its other end
- Soft, clean cloth may be used to wipe silicone on large surfaces
- May be used in place of petroleum-based lubricants
- Surfaces to be coated should be clean and dry
- For more technical details, refer to Material Safety Data sheet ABC/C40



Catalog No.	Description	Can Contents
C4002320	Silicone Aerosol Lubricant	10 oz./284 gm.

Dielectric Compound No. 7

Dielectric Compound No. 7, a silicone base material, is made for use with load break disconnects and other electrical connecting and terminating devices.

Cat. No. C4170287..... 2 oz. Tube



CHANCE[®]

Wet/Dry Hot Stick Tester for easy, portable compliance with industry standards

New Controls & Meter for All Requirements

- Simple to operate, portable unit
- Makes easy work of testing insulated live-line tools
- Wet and dry modes selected by a toggle switch
- Follows procedures specified by ASTM, IEEE and OSHA
- Graduated meter gives precise readout of each tool's leakage current

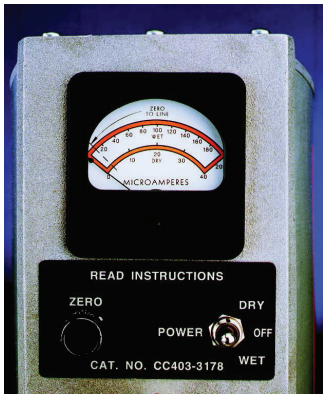
Portable Operating Ease

- For testing any length fiberglass-reinforced plastic (FRP) hot stick up to 3" in dia.
- For spot checks at field jobsites or periodic diagnostics in workshop
- Full-scale test setups for both Wet (75 kV-per-foot) and Dry (100 kV-per-foot)
- Compact, self-contained unit easily carried and operated by one person
- In Setup procedure before each use, a zeroing knob is used to set meter to zero without a tool in the tester
- Furnished Check Bar serves as self-check to ensure tester is functional
- Included video demonstrates "how-to" basics for Setup, Dry and Wet tests
- Owners M^oannual must be read and understood before operating tester



Quantitative Test Results

- When placed on tool, displays any increase in leakage current due to hotstick
- Gives immediate indication of stick's true leakage condition, independent of stray currents (through the air, internal to testers, etc.) zeroed out in advance
- Detects leakage currents due to surface contamination, internal moisture and such internal conductive materials as carbon tracks



Ordering Information

Included with each Tester:

- Check bar
- Owners operating instruction manual
- Demonstration video
- Carrying case

Catalog No.	Wet/Dry Hot Stick Tester	Weight
C4033178	115-volt model	20 lb./9.0 kg.
C4033179	*230-volt model	20 lb./9.0 kg.

*Power-source cord does not include plug on 230-volt model



Phone: 573-682-5521 Email: hpsliterature@hubbell.com Web: hubbellpowersystems.com

Epoxiglas® Bond Patching Kit

- Can be used to:
 - Repair small surface ruptures on Epoxiglas Hot Sticks
 - Install new ferrules on Epoxiglas poles
 - Assist in replacing rungs on Epoxiglas Ladders
- Includes 4 pouches. Each pouch contains separated packets of hardener and resin that once mixed yield 1.5 ounces.
- Mixing stick is included – can also be used for applying repair bond
- Epoxiglas Bond contains the same orange color as used in Epoxiglas poles
- Small surface ruptures can be repaired by removing damaged fibers, cleaning void with Moisture Eater II cleaner-solvent and applying Epoxiglas Bond



H1917

Cat. No.	Description	Weight
H1917	Epoxiglas Bond Patching Kit	.5 lb./1.23 kg.

Epoxy Sand Kit

- All the necessary ingredients to replace sand finish on one 10' ladder
- Includes Epoxy resin, curing agent, pint of sand, and stirring blade
- Also includes instruction sheet for mixing



H1921

Cat. No.	Description	Weight
H1921	Epoxy Sand Kit	4 lb./1.8 kg.

Epoxiglas® Plug Kit

- Features high-strength, low-shrink material
- Includes same ingredients as used in Chance factory "plugging processes"
- Chemical adjustment prevents kit from "scumming" over in transit or storage



C4000730

Cat. No.	Description	Approx. Weight
C4000730	Epoxiglas Plug Kit	6 lb./2.7 kg.

Tool Lubricant

- Non-flammable, non-toxic, non-corrosive material
- Gives hoists and tools lubrication needed for top working condition
- Coats moving parts with a durable film
- Prevents tools from binding and galling
- Handy plastic squeeze bottle for easy application



M1909

Cat. No.	Description	Approx. Weight
M1909	Chance Tool Lubricant	4 oz./1 kg.

Dry Film Tool Lubricant

- For all bearing surfaces, sliding and threaded, of Chance Hot Line Tools, Construction Tools and Pole Line Hardware
- Dry film blend of solid lubricants
- Basic ingredient is Molybdenum Disulfide
- Applied as any aerosol-packaged spray material
- Air dries and bonds to tool surface almost instantly



C4002335

Cat. No.	Description	Weight
C4002335	Dry Film Lubricant	12 oz.

Epoxiglas® Blank Poles



Epoxiglas® Hot Sticks

Features & Applications

- Tested per OSHA & ASTM F711
- Available for field repairs in a number of sizes
- Extreme caution must be taken in tool reassembly:
 - Follow detailed instructions available from Hubbell Power Systems, Inc
 - Contact your Chance territory manager for details
 - Failure to properly attach metal ferrules and splices to these poles or to use proper materials for rivets, internal plugs, adhesives or procedures may result in premature or below rating breakage
- Designed by Chance engineers for use in hot line tool applications
- Materials include glass fibers, epoxy resin, and unicellular plastic foam
- In finished form, unicellular plastic foam acts as a core
- Specially treated glass fibers are placed circumferentially and longitudinally after being coated with a specially formulated epoxy resin and oven-cured
- Because Epoxiglas Poles are moisture-absorption resistant, heated trailers and drying room are not required
- Only the reasonable care normally afforded hot line tools is necessary to maintain sound insulation level
- The color selection for Epoxiglas is Omaha orange:
 - This color is highly visible in usage areas
 - Color is actually present throughout the material, not just a surface finish

Cat. No.	Dia.	Length	Weight
H4539	1 1/4"	3'11"	1.3 lb./.6 kg.
H45391	1 1/4"	5'11"	2.0 lb./.9 kg.
H45392	1 1/4"	7'11"	2.7 lb./1.2 kg.
H45393	1 1/4"	9'11"	3.3 lb./1.5 kg.
H45394	1 1/4"	11'11"	4.0 lb./1.8 kg.
H45401	1 1/2"	5'11"	2.9 lb./1.3 kg.

Cat. No.	Dia.	Length	Weight
H45402	1 1/2"	7'11"	3.9 lb./1.8 kg.
H45403	1 1/2"	9'11"	4.8 lb./2.2 kg.
H45404	1 1/2"	11'11"	5.8 lb./2.6 kg.
H45405	1 1/2"	13'11"	6.8 lb./3.1 kg.
H45406	1 1/2"	15'11"	7.8 lb./3.5 kg.
H45413	2"	9'11"	8.7 lb./3.9 kg.

Cat. No.	Dia.	Length	Weight
H45414	2"	11'11"	10.4 lb./4.7 kg.
H4542	2 1/2"	5'11"	7.4 lb./3.3 kg.
H45421	2 1/2"	7'11"	9.9 lb./4.5 kg.
H45422	2 1/2"	9'11"	12.4 lb./5.6 kg.
H45423	2 1/2"	11'11"	14.9 lb./6.7 kg.
H45424	2 1/2"	13'11"	17.4 lb./7.8 kg.

End Caps



Heavy Duty Cap

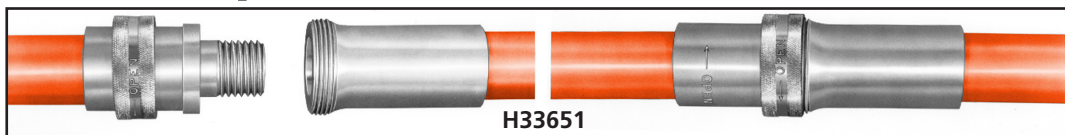
For more information on end caps, see Catalog Section 2100.

Catalog No.	Description
P4032312P	Heavy-Duty End Cap for 1 1/4" Epoxiglas pole
056394P	Plastisol End Cap for 1 1/4" Epoxiglas pole
056395P	Plastisol End Cap for 1 1/2" Epoxiglas pole
069326P	Plastisol End Cap for 2" Epoxiglas pole
069214P	Plastisol End Cap for 2 1/2" Epoxiglas pole



Plastisol Cap

Rigid Pole Splices



H33651

Features & Applications

- Recommended for all load conditions-tensile, compressive, or deflection
- Make a rigid connection that is stronger than the pole
- Use of heat-treated aluminum alloy for the ferrule makes splices lightweight
- Also keeps spliced poles well balanced
- Counter-threaded stainless steel collar locks threaded poles together
- Available for assembly on Epoxiglas blank poles (above)
- Shortens Epoxiglas tools for storage or to couple with spliced tools (page 2118)
- Also see page 2118 for Universal Fittings for Spliced Poles

Cat. No.	Description
H33651	Rigid Splice for 1 1/4" Pole
H33652	Rigid Splice for 1 1/2" Pole
H33653	Rigid Splice for (1 1/2 to 1 1/4")



Hand Guards

Features & Applications

- Maintain minimum clearances between hand and working end of hot line tool
- Always refer to OSHA regulations and utility work clearance procedures

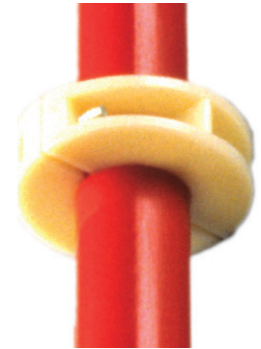
Hand Tool* Guard spacing below tool head

Voltage kV/phase	Minimum Insulation
15.....	2'1"
34.5.....	2'4"
69.....	3'
115.....	3'2"
161.....	4'
230.....	5'3"
345.....	8'6"
500.....	11'3"
765.....	14'11"

* These spacings apply to hand tools. Other tools may permit reduced spacings. Always refer to OSHA regulations and your utility work clearance procedures.



Flexible Rubber



Natural Nylon

Catalog No.	Hand Guard Description	Weight
M30021	Flexible rubber for 1 1/2" dia. pole	4 oz./1.1 kg.
C4030799	Natural nylon fits 1 1/4" dia. pole	2 oz./0.06 kg.
C4030800	Natural nylon fits only 1 1/4" Grip-All	2 oz./0.06 kg.

Tool Hangers

Features & Applications

- Engage conductors up to 556.5 kcmil ACSR
- H17605 Pole Hanger was designed for 1-1/4" or 1-1/2" dia. Epoxiglas® poles
- Includes a black Nylon-filled plastic hook and steel hose clamp for easy attachment
- M1858 Pole Hangers attach to 1-1/4" and 1-1/2" Epoxiglas poles by heat-shrink plastic tubing
- Includes a Polyethylene hook, shrink tubing, tape and installation instructions

Catalog No.	Description	Weight
H17605	Nylon-filled Plastic Hook & Steel Clamp	7 oz./3 kg.
M1858	Polyethylene Hanger for 1 1/4" Pole	7 oz./3 kg.



H17605



M1858

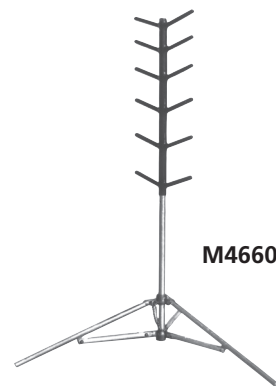
Hot Line Tool Rack

Features & Applications

- Eliminates need for rolls of canvas or other ground covering devices
- Compact, collapsible racks take up little space on line truck or in trailer
- Abrasion-resistant plastisol coating over arms and center mast protects tools
- All metal parts below plastisol are galvanized or bronze for corrosion resistance
- Folding tripod-like legs can be locked in fully opened or fully closed position
- An eye pin, secured by a bead chain, is used to lock legs in position
- Each pair of Tool Racks will support up to 12 tools as there are 12 arms to a rack
- Poles of 3" dia. will easily fit on the arms

Catalog No.	Description	No. of Tools Accommodated	Weight
M4660	1 Tool Rack*	12	10 lb.

* These are normally used in pairs: Quantities of two M4660 should be specified.



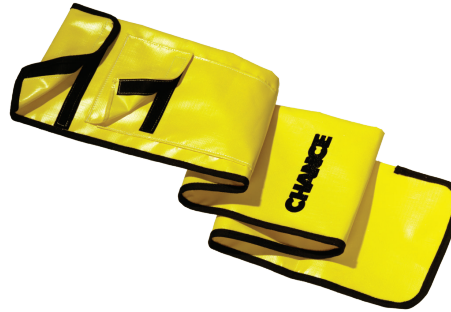
M4660



Tarps & Storage Bags for Hot Line Tools



Description	Catalog No.
10 ft. x 10 ft. Tarpaulin	T3060025
12 ft. x 12 ft. Tarpaulin	T3060014



Features & Applications

- All-Purpose Tarps in same yellow heavy-duty vinyl-impregnated fabric are available in the two sizes at right
- To select the right bag, first locate tool catalog number and specify bag catalog number listed in adjacent column

- Chance waterproof storage bags help guard against contaminants and abrasion
- Help maintain the insulating properties of hotline tools
- Yellow heavy-duty vinyl-impregnated fabric lasts for years of rugged service
- Snaps, Velcro® closures and custom-tailored pockets fit appropriate tools listed below and on facing page

ALL-ANGLE COG WRENCHES

Tool Cat No.	Bag Cat. No	Dimensions
C4030184	P6216	8' L x 7.5" W
C4030185	P6218	9' L x 7.5" W
C4030186	P62110	11' L x 7.5" W

DISCONNECT STICKS

Fixed and Spliced

Tool Cat No.	Bag Cat. No	Dimensions
H30465, H304611	P6434	5' L x 6.6" W
H30466, H304612, H304622	P6436	6'10" L x 6.6" W
H30467, H304613, H304623	P6438	8'10" L x 6.6" W
H30468, H304614, H304624	P64310	10'10" L x 6.6" W
H30469, H304615, H304617	P64312	12'10" L x 6.6" W
H304616, H304618, H304620	N/A	
H314612	P6215	5'10" L x 7.5" W
H314616, H314618	P6218	9' L x 7.5" W
H314620	P62110	11' L x 7.5" W
H314624	P62112	13' L x 7.5" W

AMERTONGS

Tool Cat No.	Bag Cat. No	Dimensions
H19686	P6216	8' L x 7.5" W
H19688	P6218	9' L x 7.5" W
H19786	P6406	6'11" L x 11" W
H19788	P6408	8'11" L x 11" W

CABLE CUTTERS

Lever-Type

Tool Cat No.	Bag Cat. No	Dimensions
H1876, H18736	P6406	6'11" L: x 11" W
T4030687	P6408	8'11" L: x 11" W

FLEXIBLE INSULATED WRENCHES

Tool Cat No.	Bag Cat. No	Dimensions
H18912, H18915, H18917	P6436	6'10" L x 6.6" W
H18913, H18916, H18918	P6438	8'10" L x 6.6" W

Hydraulic

Tool Cat No.	Bag Cat. No	Dimensions
C4030731 & C4032861	T3060007	7' L: x 6" W
C4030732 & C4032862	T3060008	9' L: x 6" W

GRIP-ALL CLAMPSTICKS

Tool Cat No.	Bag Cat. No	Dimensions
C4030291	P6434	5' L x 6.6" W
C4030292, C4031035	P6436	6'10" L x 6.6" W
C4030293, C4031036	P6438	8'10" L x 6.6" W
C4030294	P64310	10'10" L x 6.6" W
C4030295	P64312	12'10" L x 6.6" W
C4030296, C4030297	P6432	4'7" L x 9"
C4030298	P6433	5'8" L x 9"
C4030299	P6435	6'8" L x 9"
C4030342	PSP6435005	7'8" L x 9"
C4030343	PSP6435004	8'8" L x 9"

Ratchet

Tool Cat No.	Bag Cat. No	Dimensions
C4031381	T3060028	6'9" L x 11" W
C4031382	T3060028	6'9" L x 11" W
C4031383	T3060029	8'9" L x 11" W
C4031384	T3060029	8'9" L x 11" W
C4031421	C3060023	2'11" L x 10" W
C4031422, C4031423	C3060000	3'2" L x 12" W



HOIST, NYLON RATCHET

Tool Cat No.	Bag Cat. No	Dimensions
PSC3090323	C3060000	38" L x 12" W

PLATFORM (Roll Bag)

Tool Cat No.	Bag Cat. No	Dimensions
H49646W	P610	4'11" L x 3'7" W

POSITIVE-GRIP CLAMPSTICKS

Tool Cat No.	Bag Cat. No	Dimensions
HG30302, HG303012	P64310	10'10" L x 6.6" W

ROLLER LINK STICKS

Tool Cat No.	Bag Cat. No	Dimensions
H47144	P6436	6'10" L x 6.6" W
H47145	P6438	8'10" L x 6.6" W

STRAIN LINK STICKS

Tool Cat No.	Bag Cat. No	Dimensions
C4000812	P6436	6'10" L x 6.6" W
C4000814	P6438	8'10" L x 6.6" W
C4000815	P64310	10'10" L x 6.6" W
C4000816	P64312	12'10" L x 6.6" W
C4000817	P64314	14'10" L x 6.6" W
C4000818	N/A	
H47161	P6434	5' L x 6.6" W
H47162, H4717	P6215	5'10" L x 7.5" W
H47163, H47171, H47181	P6218	9' L x 7.5" W
H47164, H47182	P62110	11' L x 7.5" W
H47165, H47183	P62112	13' L x 7.5" W
H47166, H47184	P62114	15' L x 7.5" W
H4718	P6216	8' L x 7.5" W

STRAIN POLES

Tool Cat No.	Bag Cat. No	Dimensions
H1949113, C4012146	P62110	11' L x 7.5" W
C4000612, C4000613	P62112	13' L x 7.5" W
C4012147	N/A	
C4012148	P62114	15' L x 7.5" W
C4012149	N/A	

TELESCOPING DISCONNECT STICKS

Tool Cat No.	Bag Cat. No	Dimensions
C4031017, C4031018, C4031019, C4031598, C4031599, C4031600	P6213	5'4" L x 7.5" W
C4031020, C4031021, C4031022, C4031022EM, C4031601, C4031602	P6215	5'10" L x 7.5" W
C4031023, C4031597, C4031739	P6434	5' L x 6.6" W
T4032205	C4032813	2'10" L x 7.5" W
T4033349	P6216	8' L x 7.5" W

TIE STICKS

Tool Cat No.	Bag Cat. No	Dimensions
H185519, H185520 H185525, H185526	P6438	8'10" L x 6" W

TRANSFORMER GIN

Tool Cat No.	Bag Cat. No	Dimensions
C4000090	P644	2'10" L x 15" W

TREE TRIMMERS & EXTENSIONS

Tool Cat No.	Bag Cat. No	Dimensions
H2006, H2106	P6218	9' L x 7.5" W
H2036, H2056, H2136, H2156	P6436	6'10" L x 6.6" W
H2038, H2058, H2138, H2158	P6438	8'10" L x 6" W

UNIVERSAL POLES

Tool Cat No.	Bag Cat. No	Dimensions
H1760, H17604, H1761, H1770, H17908	P6438	8'10" L x 6.6" W
H17601, H17603	P6436	6'10" L x 6.6" W
H17602, H17606	P6434	5' L x 6.6" W
H176010, H179010	P64310	10'10" L x 6.6" W
H176012, H179012	P64312	12'10" L x 6.6" W
H176014, H179014	P64314	14'10" L x 6.6" W

WIRE HOLDING STICKS

Tool Cat No.	Bag Cat. No	Dimensions
C4033068	P6436	6'10" L x 6.6" W
C4033069	P6438	8'10" L x 6.6" W

WIRE TONGS

Tool Cat No.	Bag Cat. No	Dimensions
H46458, H46468	P6218	9' L x 7.5" W
H464510, H464610, H464710	P62110	11' L x 7.5" W
H464612, H464712, C4000171, H467712	P62112	13' L x 7.5" W
H464714, H467714, C4000172, T4001252	P62114	15' L x 7.5" W
H464716	P6218 (2 each)	9' L x 7.5" W

Tool and Rubber-Glove Protective Bags and Buckets

Features & Applications

- Made of double vinyl laminated open weave nylon cloth
- Lightweight and durable with nylon stitching throughout
- Standard color of all synthetic material is easy-to-see, bright yellow

LINEMAN'S TOOL BAG

Features & Applications

- 22" L x 11" W x 11" D
- Plywood bottom covered inside and out with metal skids on bottom of bag
- Has full separating heavy duty zipper and heavy webbing handles around bag
- Full 4" pocket on inside



C4170147

GLOVE BAG

Features & Applications

- 18" L x 8" W
- One piece front and back, bar-tacked at all corners
- Leather-reinforced inside and out for snap
- Double-nylon stitched
- Gusset has 4" top tapering to 2" bottom



C4170148

LINE HOSE BAG

Features & Applications

- 48" L x 7" Dia.
- 3"-wide plastic top ring
- Molded plastic bottom with 2" cuff
- 3/8" rope handle



C4170151

COMBINATION GLOVE AND SLEEVE BAG

Features & Applications

- 18" L x 8" W
- Separate storage for rubber gloves and sleeves
- Single flap, double-nylon stitching
- Reinforced inside and out for snap



C4170150



TOOL BUCKET

Features & Applications

- 12" dia. x 15" D
- Molded plastic bottom with 2-1/2" tapered molded flange up sides
- Top has molded plastic ring, 1/2" polypropylene rope handle
- Standard 4" x 8" inside pocket



C4170144

TOOL BUCKET

Features & Applications

- 7" dia. x 10" D
- For steel tower work
- Molded plastic top and bottom
- 3/8" Chemline rope handle



C4170146

SLEEVE BAG

Features & Applications

- 27" L x 12" Top – 7" Bottom
- For flat storage of rubber sleeves
- Bar-tacked corners, snap fasteners, and double-nylon stitching



C4170149

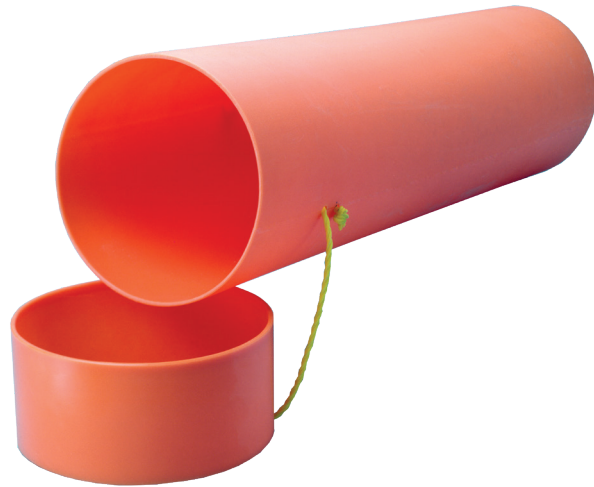
Cat. No.	Description	Weights
C4170144	Tool Bucket (15" Deep)	2 lb. 8 oz.
C4170146	Tool Bucket (10" Deep)	12 oz.
C4170147	Lineman's Tool Bag	3 lb.
C4170148	Glove Bag	8 oz.
C4170149	Sleeve Bag	10 oz.
C4170150	Glove & Sleeve Bag	10 oz.
C4170151	Line Hose Bag	2 lb.

For Hot Stick Storage Bags, see Catalog Page 2510.

Storage Canisters for Rubber Insulating Blankets

Features & Applications

- Proper storage extends blanket life
- Provides easy access in service
- Long-lasting construction
- For physical and contamination protection, canisters are lightweight yet durable and stow easily on service vehicles and in warehouses
- Cylindrical shape promotes proper treatment – rubber blankets should never be folded, creased or compressed when stored
- Rolling blankets before inserting helps keep them ready for service
- Blankets nested inside each other may be inserted or withdrawn one at a time
- Bright orange color
- High-impact-resistant high-density polyethylene for tough, rust-free resilience
- Polypropylene rope keeps tight-fitting cap secured to canister



C4032998 does not have a handle and is 7" in diameter.



C4032999 has a molded handle and is 10" in diameter.

Storage Canisters for Rubber Insulating Blankets

Catalog No.	Description	Weight
C4032998	No handle, 7" dia., 37" long	6 lb./2.7 kg.
C4032999	With handle, 10" dia., 37" long	7 ⁵ / ₈ lb./3.43 kg.

Walk-in Tool Trailers



Your new Walk-In Tool Trailer will provide a convenient way to store, transport and care for your Hot Line Tool sets.

Standard lengths of 16 and 20 feet offer headroom of 6 feet-6 inches. A 7,000-lb. gross vehicle weight rating gives the trailer ample capacity for your job requirements.

Standard Equipment

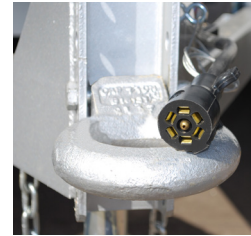
CHECKLIST

Interior Tool Storage

- ✓ Full Length storage bins on both sides and across front
- ✓ Overhead rack and thumbscrews for 30 universal tools (Left side)
- ✓ Two full-height center racks
- ✓ Ladder channel on floor between center racks

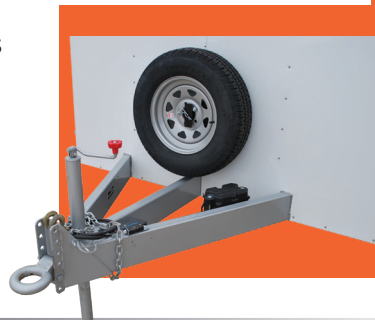
Standard features include:

- Corrosion-resistant aluminum exterior
- Tandem axles • Electric Brakes
- Dual rear doors • One curb-side door
- Tongue mounted spare tire
- Center Interior racking for tool storage
- White exterior finish
- 7-way 12V Trailer End Connector



Exterior and Towing

- ✓ Breakaway braking system
- ✓ Spare tire with mounting bracket
- ✓ Adjustable height pintle eye hitch
- ✓ Fold-up hand crank tongue jack
- ✓ Two safety chains



CHANCE[®] Walk-in Tool Trailers

... Continued on next page ...

Optional Equipment CHECKLIST

Optional features available

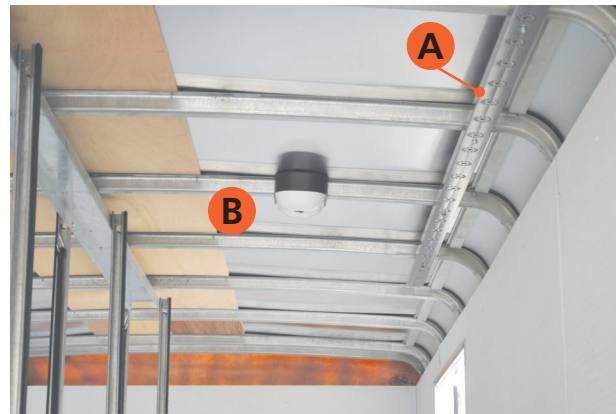
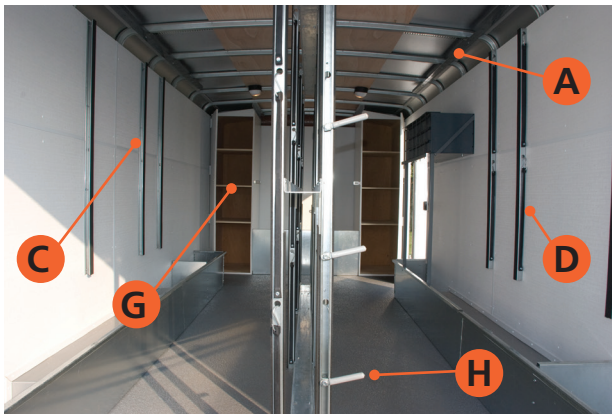
In addition to the Standard features and equipment, Walk-In Trailers can be custom ordered with the Options listed below.

Please check the boxes on these two pages to select Options or just get in touch with us to help.

Interior Tool Storage OPTIONS

- A. Second overhead rack and thumbscrews for 30 universal Tools (Right side)
- B. 12Vdc interior lights with two wall switches, select only one option:
 - 1 pair of lights
 - 2 pairs of lights
 - 3 pairs of lights
- C. Wall mounted tool rack with 24 supports and eight elastic tiedowns (Left Side)
- D. Wall mounted tool rack with 24 supports and eight elastic tiedowns (Right Side)
- E. Second interior ladder rack
- F. 110/220 Vac "dry room" heater
- G. 2 vertical cabinets with 4 shelves each, installed in front of trailer
- H. Rhino Lining protective flooring
- I. One additional support stud kit (10 per box) for side or center tool racks

Catalog Number T4002528 (not shown)



Phone: 573-682-5521 Email: hpsliterature@hubbell.com Web: hubbellpowersystems.com

Walk-in Tool Trailers

Optional Equipment CHECKLIST

Exterior and Towing OPTIONS

- J. 12 Vdc Power Tongue Jack
- K. Rear Skid Plate
- L. Rear Mounted Bumper 6"
- M. Rear Mounted Step Bumper 10" (not shown)
- N. 2 5/16" Ball Type Hitch (not shown)
- O. Rear Ramp Door (not available with rear bumper)
- P. 10,000-lb. GVWR [two 5,000-lb. axles] (not shown)
- Q. 12,000-lb. GVWR [two 6,000-lb. axles] (not shown)
- R. 14,000-lb. GVWR [two 7,000-lb. axles] (not shown)
- S. Flipped axles add 4 extra inches of ground clearance (not shown)

Optional features available

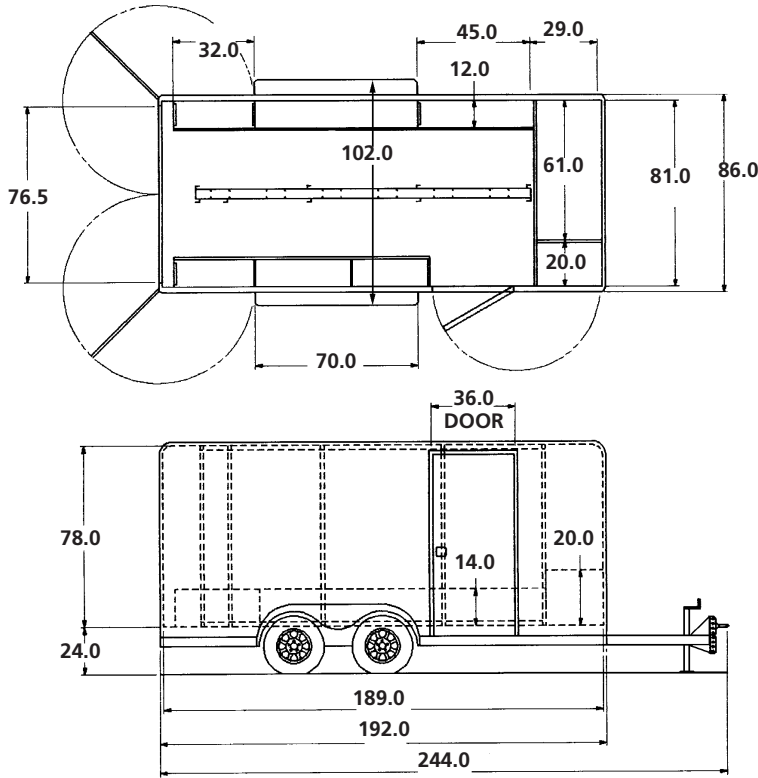
In addition to the Standard features and equipment, Walk-In Trailers can be custom ordered with the Options listed below.

Please check the boxes on these two pages to select Options or just get in touch with us to help.



CHANCE® Walk-in Tool Trailers

16-ft. (body-length) Trailer

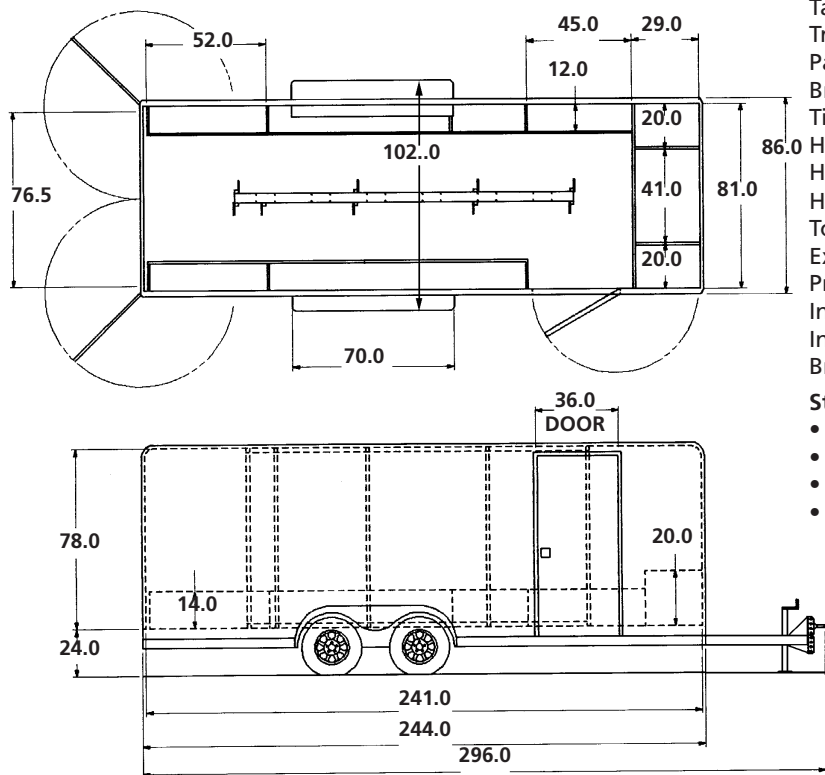


Trailer gross vehicle weight7,000 lb.
 Tandem axles3,500 lb. capacity, each
 Trailer curb weight, empty2,270 lb.
 Payload capacity4,730 lb.
 Brakes..... Electric, all four wheels
 Tires..... 15", load range C
 Hitch weight, empty210 lb.
 Hitch with safety chains... 3" pintle or 2⁵/₁₆" ball
 Hitch height..... Adjustable, 19" through 27"
 Tongue jack Manual crank with sand pad
 Exterior lights and reflectors
 Prefinished (white) aluminum skin 0.30" gauge
 Interior floor..... Plywood
 Interior walls are vinyl coated white.
 Breakaway system & battery (meets DOT)

Standard Storage Provisions

- 14"-deep bins (both sides), 20"-deep front bins
- Rack for 30 universal tools (left, overhead)
- Ladder-rack channel (center, on floor)
- Full-height tool racks (center-mounted), 150 plastic-coated supports & 29 elastic tiedowns

20-ft. (body-length) Trailer



Trailer gross vehicle weight 7,000 lb.
 Tandem axles3,500 lb. capacity, each
 Trailer curb weight, empty 2,770 lb.
 Payload capacity 4,230 lb.
 Brakes..... Electric, all four wheels
 Tires..... 15", load range C
 Hitch weight, empty 250 lb.
 Hitch with safety chains... 3" pintle or 2⁵/₁₆" ball
 Hitch height.....Adjustable, 19" through 27"
 Tongue jackManual crank with sand pad
 Exterior lights and reflectors
 Prefinished (white) aluminum skin ..0.30" gauge
 Interior floor.....Plywood
 Interior walls are vinyl coated white.
 Breakaway system & battery (meets DOT)

Standard Storage Provisions

- 14"-deep bins (both sides), 20"-deep front bins
- Rack for 30 universal tools (left, overhead)
- Ladder rack channel (center, floor)
- Full-height tool racks (center-mounted), 150 plastic-coated supports & 29 elastic tiedowns



Fiberglass Pop-Up Tool Trailers

... Continued on next page ...

CHANCE[®]



Your new Fiberglass Pop-Up Hot Line Tool Trailer will provide a convenient way to store, transport and care for your Hot Line Tool sets.

The overall length of the trailer is 23 feet. The interior space of the trailer is 17 feet 2 inches with storage for Hot Line Tools up to 14 feet 7 inches.

A 12,000-lb. gross vehicle weight rating gives the trailer ample capacity for your job requirements.

Standard Equipment CHECKLIST

Interior Tool Storage

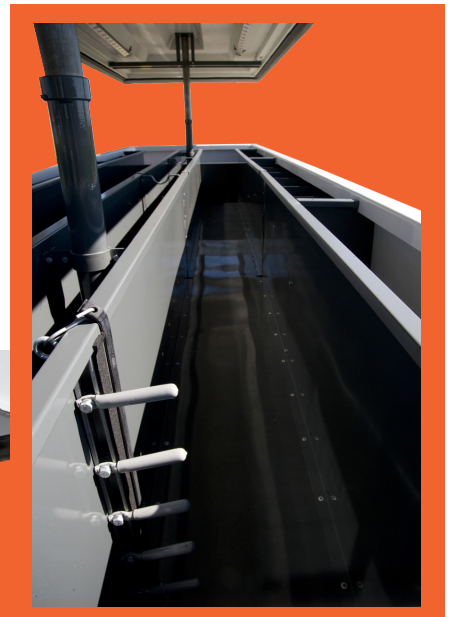
- ✓ 12 hot line tool compartments
- ✓ 155 adjustable plastic-covered tool supports
- ✓ 20 elastic tie-down straps
- ✓ 1 channel rack for 30 Universal Tool accessories (right side)

Exterior and Towing

- ✓ Breakaway braking system
- ✓ Spare tire with mounting bracket
- ✓ Adjustable height pintle eye hitch
- ✓ Fold-up hand crank tongue jack with castor wheel
- ✓ Two safety chains

Standard features include:

- Tandem axles
- Electric Brakes
- White exterior finish
- Four 8.00 x 14.5 tires
- Rectangular-tube steel rear bumper
- Manual crank for lid open/close device
- Step-up brackets, front and rear, both sides



Fiberglass Pop-Up Tool Trailers ... Continued on next page ...

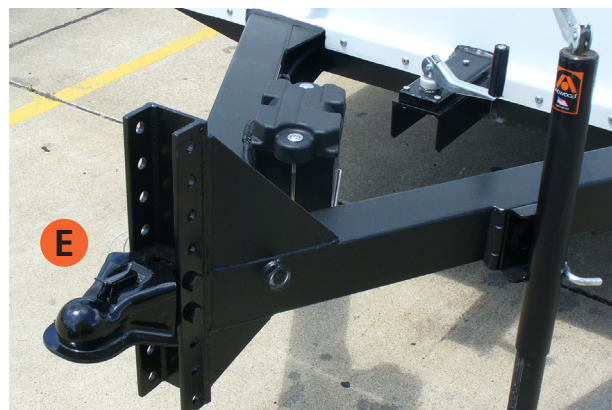
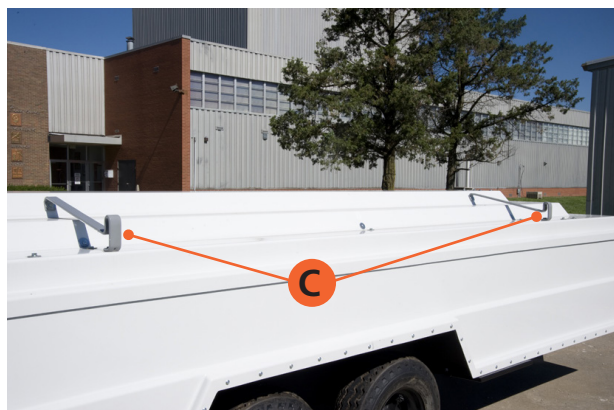
Optional Equipment CHECKLIST

In addition to the Standard features and equipment, Fiberglass Pop-Up Hot Line Tool Trailers can be custom ordered with the Options listed below.

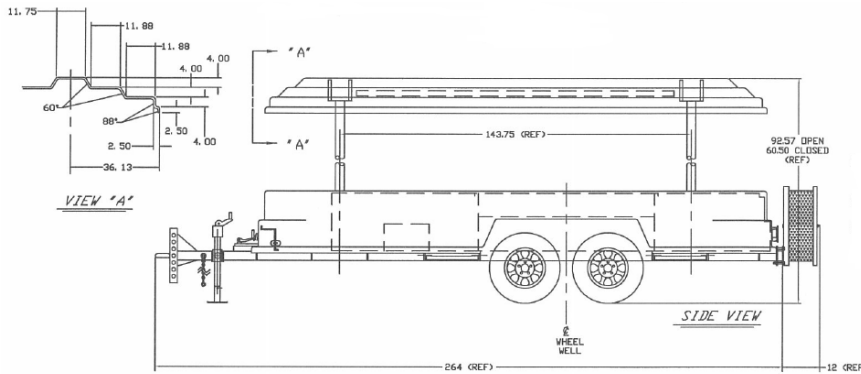
Please check the boxes on this page to select Options or just get in touch with us to help.

Interior Tool Storage OPTIONS

- A. 110/220 Vac "dry room" heater
- B. Additional channel rack for 30 Universal Tool accessories
- C. Ladder-rack brackets (plastisol coated) mounted on lid
 - 1 pair (right side)
 - 2 pairs
- D. Electric motor for lid open/close device (not shown)
- E. 2 5/16" ball socket type hitch, adjustable height



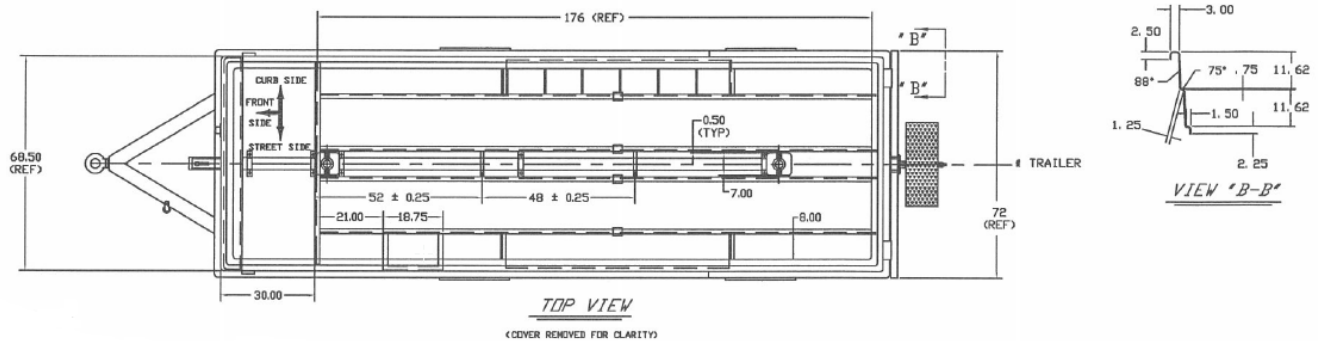
Fiberglass Pop-Up Tool Trailers



Trailer gross vehicle weight.....12,000 lb.
 Tandem axles.....6,000 lb. capacity, each
 Trailer curb weight, empty.....2,920 lb.
 Payload capacity.....9,180 lb.
 Brakes..... Electric, all four wheels
 Tires..... Four 8.00 x 14.5 tires, 3100 lb. ea.
 Hitch with safety chains..3" pintle or 2 5/16" ball
 Hitch height....Adjustable, 15 1/2" through 29 1/2"
 Tongue jackManual crank
 Low profile lightweight fiberglass body and lid
 Breakaway system and battery (meets DOT)

Standard Storage Provisions

- 12 hot line tool compartments
- 155 adjustable plastic-covered tool supports
- 20 elastic tie-down straps
- 1 channel rack for 30 Universal Tool Accessories (right side)



Tool Repair & Storage – 2500



HUBBELL®
Power Systems, Inc.

• 210 N. Allen St. • Centralia, MO 65240 • (573) 682-5521

NOTICE: For the latest revision of our Catalog and Literature, click here or visit our web site: www.hubbellpowersystems.com

NOTE: Hubbell has a policy of continuous product improvement. Please visit hubbellpowersystems.com to confirm current design specifications. ©Copyright 2020 Hubbell Incorporated

NEVER COMPROMISE™

www.hubbellpowersystems.com

