

Pins, Crossarm

Nylon Threads

- Eliminate handling and disposal concerns associated with Lead threads.
- Nylon threads by Hubbell Power Systems meet all ANSI performance and dimensional requirements.
- Insulator fit is firm, yet resilient.
- Nylon threads are more impact resistant than on pins with Lead threads.

Low Voltage Forged Steel Pins – Long Shank for Wood or Composite Crossarms

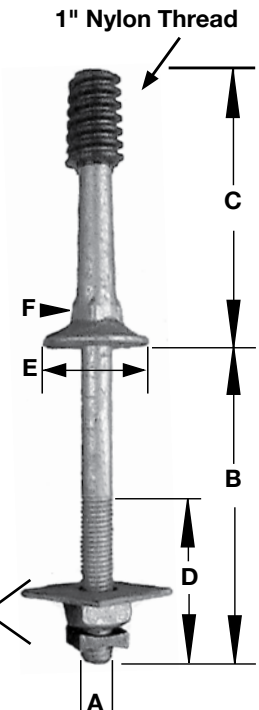
1" ANSI Standard Nylon Threads
 Galvanized per ASTM A-153

The forged design of low voltage insulator pins includes flats for wrench engagement and a wide base to distribute load stresses. Each pin is shipped with hardware assembled as shown.

Catalog Number	Dimensions							ANSI Load Rating at 10 degree Deflection	Approx. Ship Wt. per 100 pcs.
	A	B	C	D	E	F	Washer Size		
	Shank Dia.	Shank Length	Shaft Height	Min. Thread Length	Base Dia.	Wrench Square			
881P*†	5/8"	5 3/4"	5"	3"	2"	3/4"	2" sq. x 1/8"	1000 lbs.	148 lbs.
881AP*	5/8"	6 1/2"	5"	3"	2"	3/4"	2" sq. x 1/8"	1000 lbs.	156 lbs.
884P*	5/8"	5 3/4"	6"	3"	2"	3/4"	2" sq. x 1/8"	800 lbs.	161 lbs.
883P*	5/8"	6 1/2"	6"	3"	2"	3/4"	2" sq. x 1/8"	800 lbs.	164 lbs.

*ANSI Standard C135.17
 †RUS Listed, Category f

Hardware includes Square Washer, Square Nut and M-F Locknut



Low Voltage Forged Steel Pins – Short Shank for Steel Crossarms

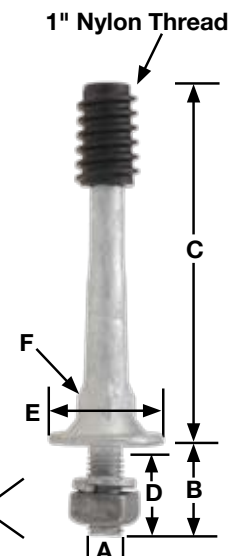
1" ANSI Standard Nylon Threads
 Galvanized per ASTM A-153

The forged design of low voltage insulator pins includes flats for wrench engagement and a wide base to distribute load stresses. Each pin is shipped with hardware assembled as shown.

Catalog Number	Dimensions							ANSI Load Rating at 10 degree Deflection	Approx. Ship Wt. per 100 pcs.
	A	B	C	D	E	F	Washer		
	Shank Dia.	Shank Length	Shaft Height	Min. Thread Length	Base Dia.	Wrench Square			
886P*†	5/8"	1 1/2"	5"	1 1/4"	2"	3/4"	Lock-washer	1000 lbs.	0.94 lbs.
887P*	5/8"	1 1/2"	6"	1 1/4"	2"	3/4"	Lock-washer	800 lbs.	1.25 lbs.

*ANSI Standard C135.17
 †RUS Listed, Category f

Hardware includes Coil Lockwasher and Square Nut



NOTE: Because Hubbell has a policy of continuous product improvement, we reserve the right to change design and specifications without notice.

Pins, Crossarm

REVISED January 2008

Nylon Threads

- Eliminate handling and disposal concerns associated with Lead threads.
- Nylon threads by Hubbell Power Systems meet all ANSI performance and dimensional requirements.
- Insulator fit is firm, yet resilient.
- Nylon threads are more impact resistant than on pins with Lead threads.

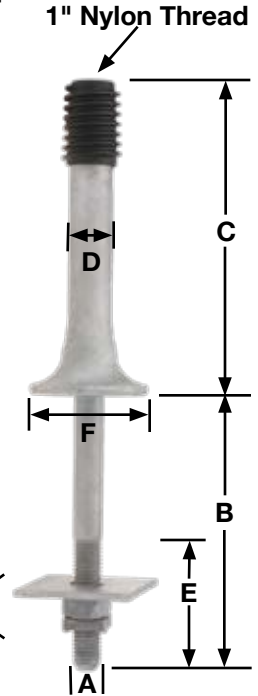
High Voltage Forged Steel Pins – Long Shank for Wood or Composite Crossarms

1" ANSI Standard Nylon Threads

Galvanized per ASTM A-153

The forged design of high voltage insulator pins includes a wide base to distribute load stresses. Each pin is shipped with hardware assembled as shown.

Catalog Number	Dimensions							ANSI Load Rating at 10 degree Deflection	Approx. Ship Wt. per 100 pcs.
	A	B	C	D	E	F	Washer Size		
	Shank Dia.	Shank Length	Shaft Height	Shaft Dia.	Min. Thread Length	Base Dia.			
4705P	3/4"	6 1/2"	5"	1"	2 1/2"	2 5/8"	2 1/4" sq. x 3/16"	2500 lbs.	2.68 lbs.
4706P	3/4"	6 1/2"	6"	1"	2 1/2"	2 5/8"	2 1/4" sq. x 3/16"	2500 lbs.	2.76 lbs.



Hardware includes Square Washer, Square Nut and M-F Locknut

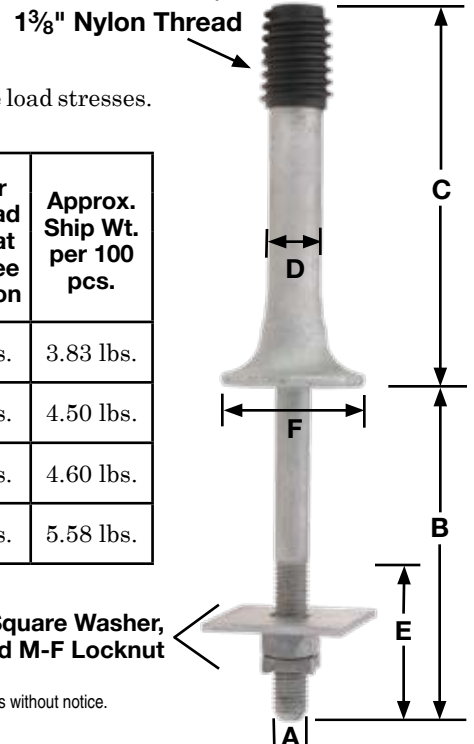
High Voltage Forged Steel Pins – Long Shank for Wood or Composite Crossarms

1 3/8" ANSI Standard Nylon Threads

Galvanized per ASTM A-153

The forged design of high voltage insulator pins includes a wide base to distribute load stresses. Each pin is shipped with hardware assembled as shown.

Catalog Number	Dimensions							ANSI or RUS Load Rating at 10 degree Deflection	Approx. Ship Wt. per 100 pcs.
	A	B	C	D	E	F	Washer Size		
	Shank Dia.	Shank Length	Shaft Height	Shaft Dia.	Min. Thread Length	Base Dia.			
4717P†	5/8"	7"	7"	1"	4"	3"	2 1/4" sq. x 3/16"	2200 lbs.	3.83 lbs.
4326P*	3/4"	7"	7"	1"	3"	3"	3" sq. x 3/16"	2200 lbs.	4.50 lbs.
4328P*	3/4"	7"	8"	1"	3"	3"	3" sq. x 3/16"	1900 lbs.	4.60 lbs.
4332P*	3/4"	7"	10"	1 1/16"	3"	3 1/2"	3" sq. x 3/16"	2100 lbs.	5.58 lbs.



Hardware includes Square Washer, Square Nut and M-F Locknut

*ANSI Standard C135.17

†RUS Listed, Category f (approval pending)

NOTE: Because Hubbell has a policy of continuous product improvement, we reserve the right to change design and specifications without notice.

Pins, Crossarm

Nylon Threads

- Eliminate handling and disposal concerns associated with Lead threads.
- Nylon threads by Hubbell Power Systems meet all ANSI performance and dimensional requirements.
- Insulator fit is firm, yet resilient.
- Nylon threads are more impact resistant than on pins with Lead threads.

Clamp-Type Steel Pins – For Wood or Composite Crossarms

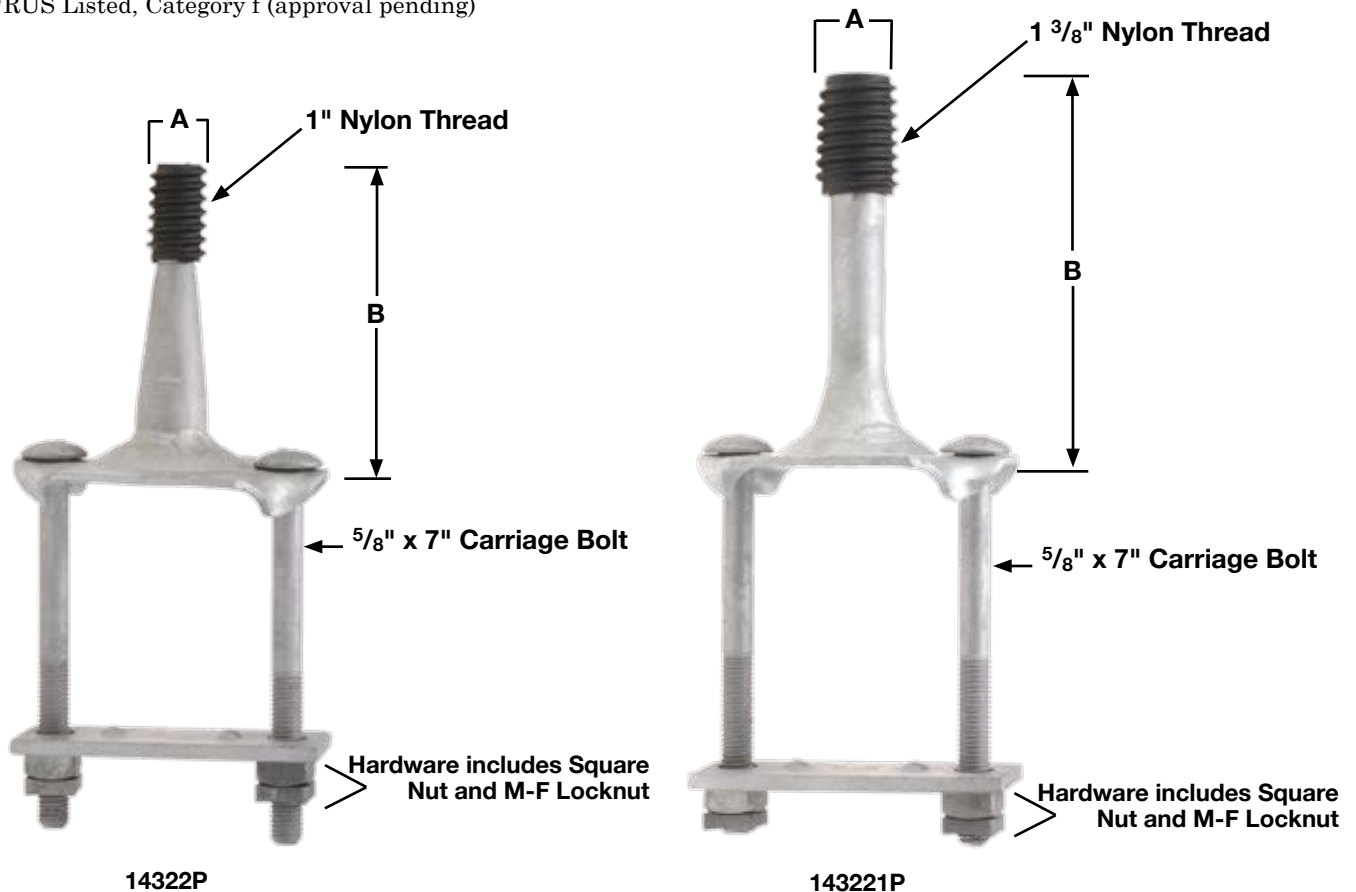
1" and 1³/₈" ANSI Standard Nylon Threads

Galvanized per ASTM A-153

Clamp type crossarm pins (saddle pins) can be used for straight line, angle or corner construction. The clamping design does not require cutting or drilling of the crossarm. The back plate has raised projections to prevent slippage. Each pin is shipped with hardware assembled as shown.

Catalog Number	Dimensions				RUS Load Rating at 10 degree Deflection	Approx. Ship Wt. per 100 pcs.
	A ANSI Thread Size	B Shaft Height	C Crossarm Size	E Carriage Bolts		
14322P†	1"	5 ³ / ₄ "	3 ³ / ₄ " x 4 ³ / ₄ "	5/8" x 7"	1500 lbs.	5.61 lbs.
143221P†	1 ³ / ₈ "	7"	3 ³ / ₄ " x 4 ³ / ₄ "	5/8" x 7"	1500 lbs.	6.46 lbs.

†RUS Listed, Category f (approval pending)



NOTE: Because Hubbell has a policy of continuous product improvement, we reserve the right to change design and specifications without notice.

Insulator Clevises and Related Items

Neutral Extension Bracket

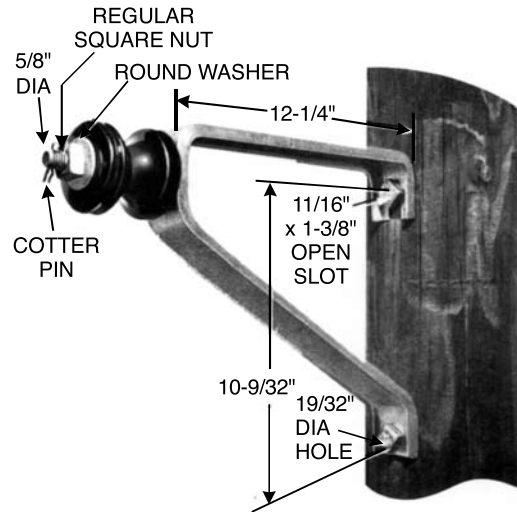
DC6N1

Increases spacing between pole and neutral wire. Provides offset between neutral and phase conductors to prevent phase-to-ground contacts during sudden release of accumulated ice.

To prevent disassembly due to vibration, insulator is retained with round washer, regular square nut, and self-locking cotter.

Use DE4S-series insulator; order separately.

Hot-dipped galvanized steel for corrosion resistance.



DC6N1

Catalog No.	Standard Package	Approx. Ship Wt. Lbs. Per 100 Pcs.
DC6N1	10 pcs.	450

NOTE: Because Hubbell has a policy of continuous product improvement, we reserve the right to change design and specifications without notice.

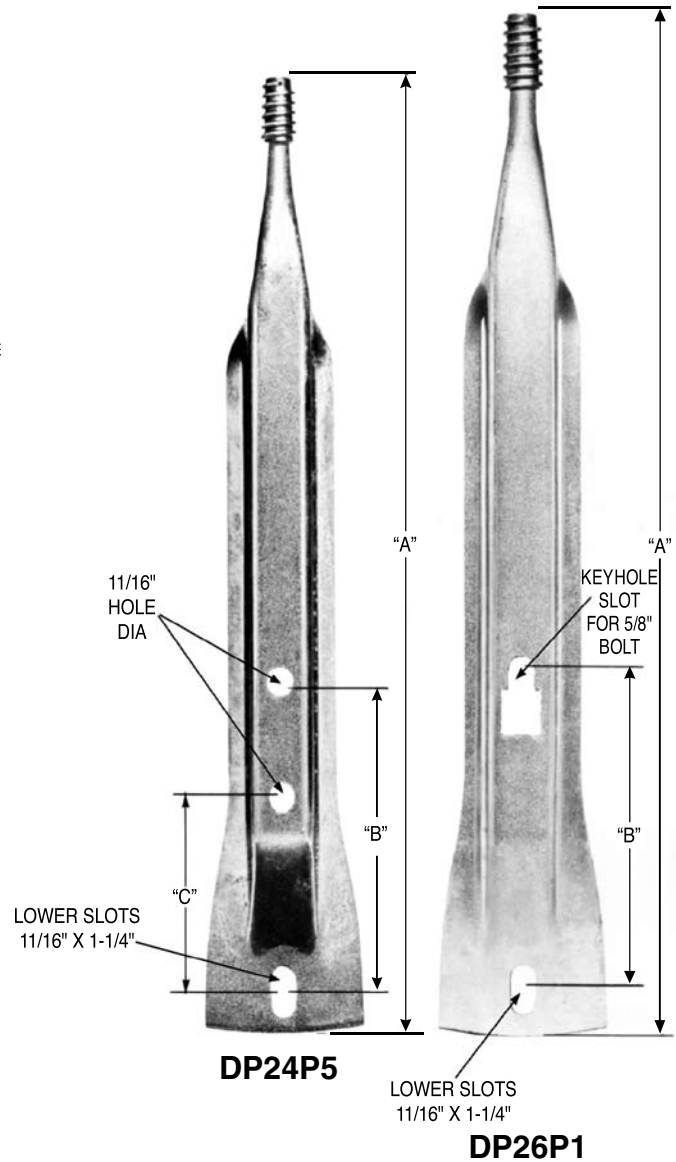
Insulator Pins and Accessories

Pole-Top Pins

Flared Base

The flared based design provides a wider, more solid bearing surface when mounted with the flange against the pole.

For long-span construction.



Catalog No.	Dimensions (in.)			Lead Thread Diameter	Standard Package	Weight 100 Pcs.
	"A"	"B"	"C"			
DP24P2*	18	8	5	1	15 pcs.	349
DP24P5*	24	8	5	1	10 pcs.	550
DP26P1	24	8	—	1	10 pcs.	530

*ANSI/NEMA standard

NOTE: Because Hubbell has a policy of continuous product improvement, we reserve the right to change design and specifications without notice.



CHANCE

210 N. Allen St. • Centralia, MO 65240

©2007 Hubbell Incorporated

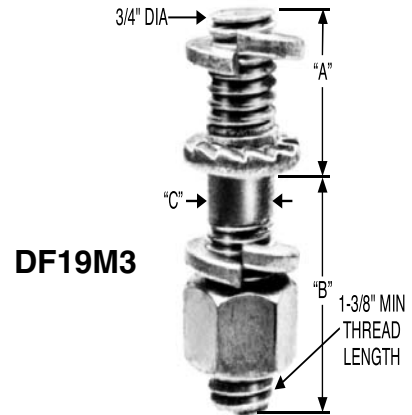
Printed in USA

Insulator Pins and Accessories

Line Post Insulator Studs

DF19M Series

Serrated collar and lockwasher secure unit to line post insulator and prevent accidental disassembly. Cut threads above serrated collar, rolled threads below collar.



DF19M3

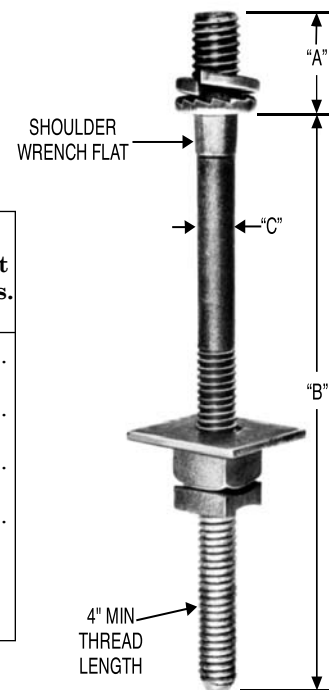
For Steel Crossarms

Catalog No.	Dimensions (in.)				Hardware Included	Standard Package	Weight 100 Pcs.
	"A"	"B"	"C"	Line Post Rating (kV)			
DF19M1	1-1/8	1-3/4	5/8	20-25	(1) reg. hexnut and (2) spring lockwashers	100 pcs.	43 lbs.
DF19M3	1-1/8	1-3/4	3/4	35-66	(1) reg. hexnut and (2) spring lockwashers	100 pcs.	54 lbs.

For Wood Crossarms

Catalog No.	Dimensions (in.)				*Hardware Included	Std. Pkg.	Weight 100 Pcs.
	"A"	"B"	"C"	Line Post Rating (kV)			
DF19M2	1-1/8	7	5/8	20-25	(1) square nut, (1) square washer, (1) spring lockwasher and (1) M-F locknut	50 pcs.	102 lbs.
DF19M4	1-1/8	7	3/4	35-66		40 pcs.	140 lbs.
DF19M19	1-1/8	10	5/8	20-25		25 pcs.	176 lbs.
DF19M20	1-1/8	12	5/8	20-25		25 pcs.	192 lbs.
*DM19M29	1-1/8	14	3/4	35-66		20 pcs.	234
*DM19M32	1-1/8	24	3/4	35-66		15 pcs.	342

*NOTE: DM19M29 and DM19M32 include one additional double-coil lockwasher.



DF19M2

NOTE: Because Hubbell has a policy of continuous product improvement, we reserve the right to change design and specifications without notice.

Underground Vault and Manhole Materials

Cable Racks and Supports

H-Slot Racks DU13B Series

Manufactured of 3" structural steel channel.

Accommodate from one to seven supports spaced on 4-1/2" centers.

Offset lower mounting tab allows racks to be joined for additional length.



DU13B Series

Catalog No.	Number of Support Holes	Dimensions (in.)		Std. Pkg.	Weight 100 Pcs.
		Overall Length	Mounting Hole Spacing		
DU13B1*	1	8 1/4	6 1/2	25 pcs.	216 lbs.
DU13B3*	3	17 1/4	15 1/2	4 pcs.	570 lbs.
DU13B5*	5	26 1/4	24 1/2	4 pcs.	800 lbs.
DU13B7*	7	35 1/4	33 1/2	4 pcs.	1050 lbs.

H-Slot Supports DU3S Series

Available in four lengths to accommodate from one to four insulators.

Compatible insulators are DE3U1, DE6U1, and DE12U series; order separately.



DU3S Series

Catalog No.	Length (in.)	Accommodates No. of Insulators	ANSI/NEMA Load Rating (lbs.)	Std. Pkg.	Weight 100 Pcs.
DU3S1*	6 1/4	1	400	50 pcs.	94 lbs.
DU3S2*	11 3/4	2	400	25 pcs.	160 lbs.
DU3S3*	17 1/4	3	200	25 pcs.	252 lbs.
DU3S4	22 3/4	4	—	12 pcs.	400 lbs.

*ANSI/NEMA standard

NOTE: Because Hubbell has a policy of continuous product improvement, we reserve the right to change design and specifications without notice.



CHANCE

210 N. Allen St. • Centralia, MO 65240

©2007 Hubbell Incorporated

Printed in USA

REVISED December 2007

Underground Vault and Manhole Materials

Cable Racks and Supports

Nob-Loc Racks

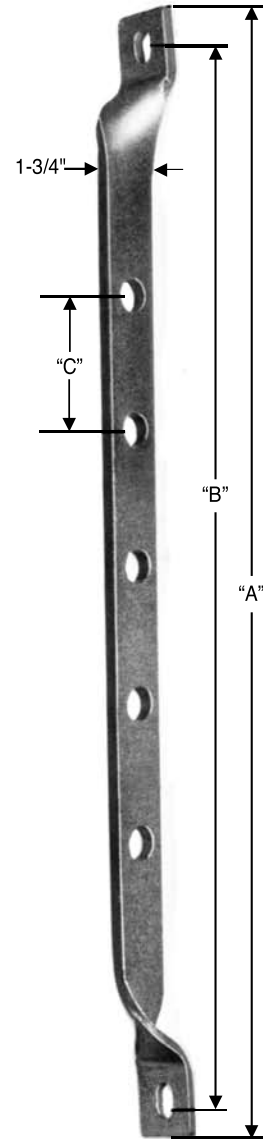
DU1B Series

Manufactured from 3/8" x 1 3/4" steel.

Can accommodate from one to 13 supports.

Nob-Loc type supports are interchangeable on DU1B Series racks. Order supports separately (see below).

Catalog No.	No. of Support Holes	Dimensions (in.)			Standard Package	Weight 100 Pcs.
		"A"	"B"	"C"		
DU1B1*	1	14 3/4	13	—	5 pcs.	280 lbs.
DU1B3	3	28 3/4	27	7	5 pcs.	520 lbs.
DU1B4	4	35 3/4	34	7	5 pcs.	660 lbs.
DU1B10*	11	34 7/8	33 1/8	2	5 pcs.	600 lbs.
DU1B28*	5	28 3/4	27	3 1/2	5 pcs.	520 lbs.
DU1B29*	9	42 3/4	41	3 1/2	5 pcs.	760 lbs.
DU1B30*	13	56 3/4	55	3 1/2	5 pcs.	1000 lbs.



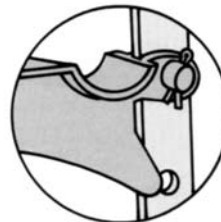
DU1B Series

Nob-Loc Supports

DU1S Series

Use DE3U1 or DE6U1 insulators; order separately.

Catalog No.	Length (in.)	Accommodates No. of Insulators	Std. Pkg.	Weight 100 Pcs.
DU1S1*	3 7/8	1	50 pcs.	136 lbs.
DU1S2*	7 7/8	2	25 pcs.	220 lbs.
DU1S3*	11 7/8	3	25 pcs.	296 lbs.
DU1S4*	14 7/8	4	15 pcs.	360 lbs.



DU1S Series

*ANSI/NEMA standard

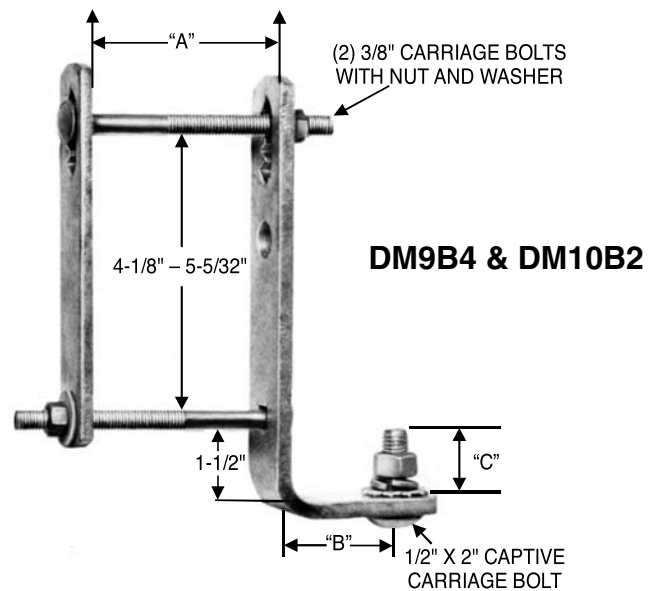
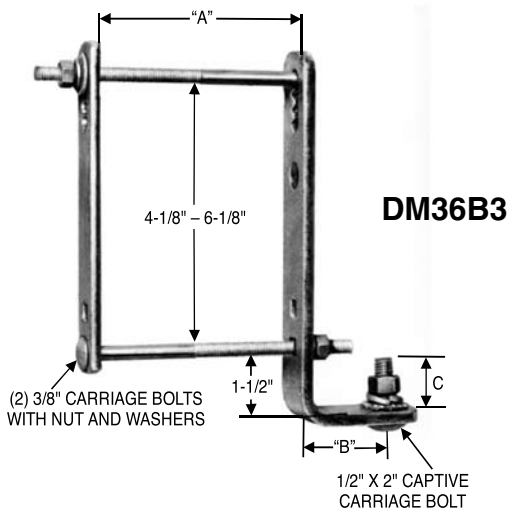
NOTE: Because Hubbell has a policy of continuous product improvement, we reserve the right to change design and specifications without notice.

Mounting Brackets

Crossarm Mounting Brackets

The wide variety of cutout, arrester, and terminator mounting brackets Hubbell offers, allows flexibility in construction layout and design. Crossarm and pole-mounted designs are available for mounting single units or combinations of protective devices and terminators. Manufactured for strength and durability, all brackets, mounting channels and mounting straps are hot-dipped galvanized in accordance with ASTM A153 for corrosion resistance.

For crossarm mounting of protective devices and cable terminators. Brackets are available for single unit mounting or various cutout/arrester combinations. All crossarm mounting brackets are adjustable to fit various crossarm sizes. Completely assembled brackets are available as well as individual components for field adaptation. All complete mounting bracket assemblies include all mounting hardware.



More photos on the following page.

Catalog No.	Dimensions (in.)				Standard Package	Weight 100 Pcs.
	Material Size	"A"	"B"	"C"		
DM36B3	5/16 x 1 1/2	2 7/16 to 6	2 1/4	1 11/16	25 pcs.	272 lbs.
DM40B2	5/16 x 1 1/2	2 11/16 to 4	2 9/16	1 11/16	20 pcs.	340 lbs.
DC63B5	3/8 x 2	2 1/8 to 4 1/8	5 7/8	1 5/8	10 pcs.	420 lbs.

NOTE: Because Hubbell has a policy of continuous product improvement, we reserve the right to change design and specifications without notice.



CHANCE

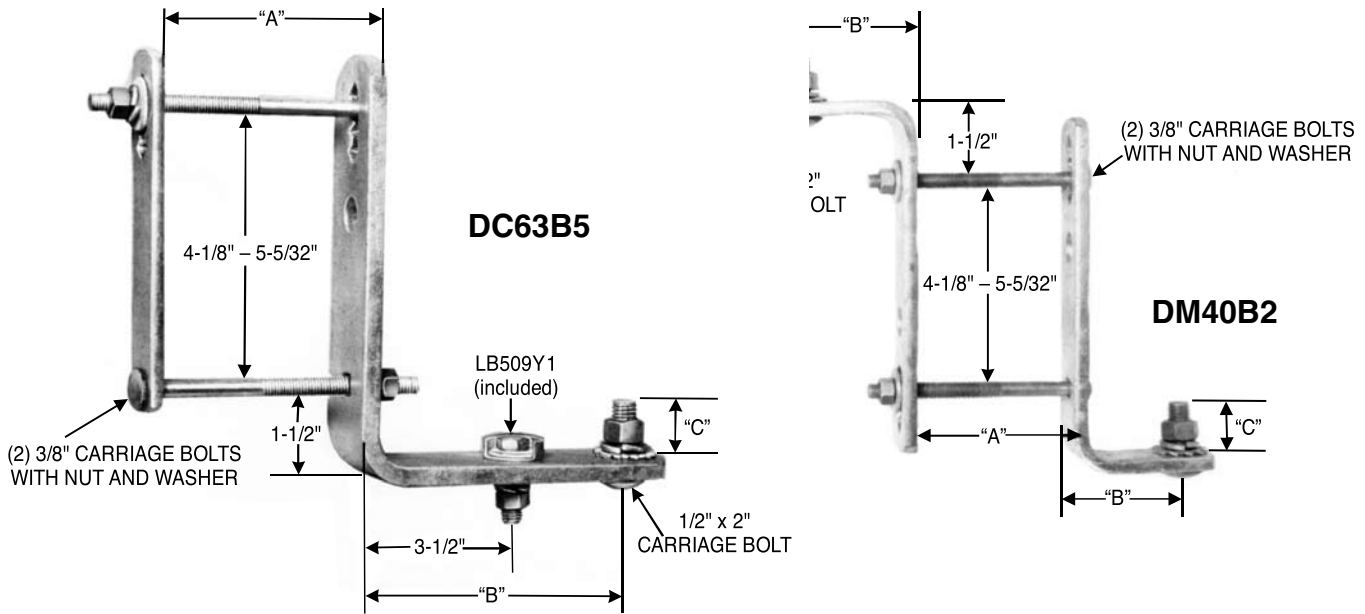
210 N. Allen St. • Centralia, MO 65240

©2007 Hubbell Incorporated

Printed in USA

Mounting Brackets

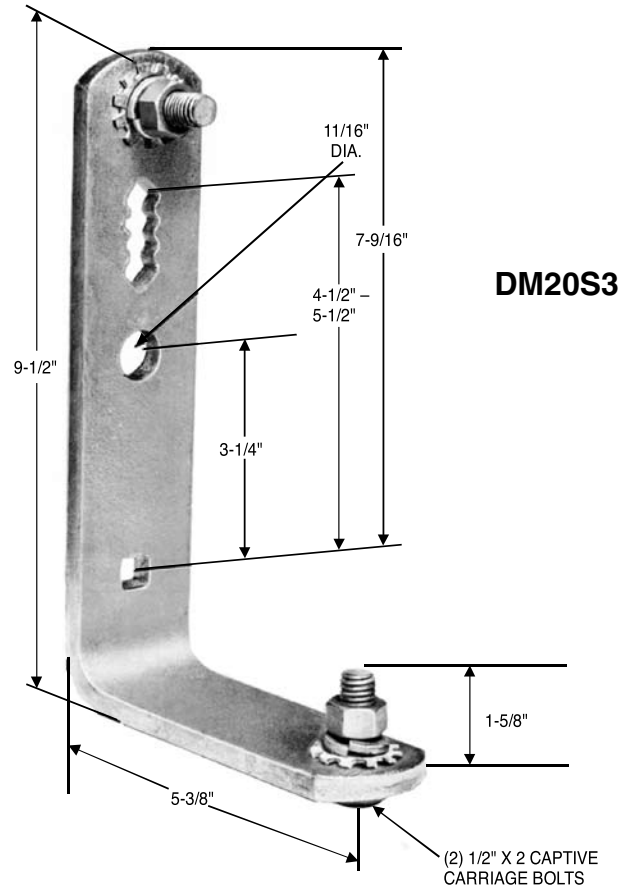
Crossarm Mounting Brackets (cont.)



Bracket Mounting Strap DM20S3

Manufactured of 3/8" x 2" steel. Includes two captive mounting bolts, one on each leg.

Std. Pkg.: 15 pcs.
 Weight per 100 pcs.: 340 lbs.



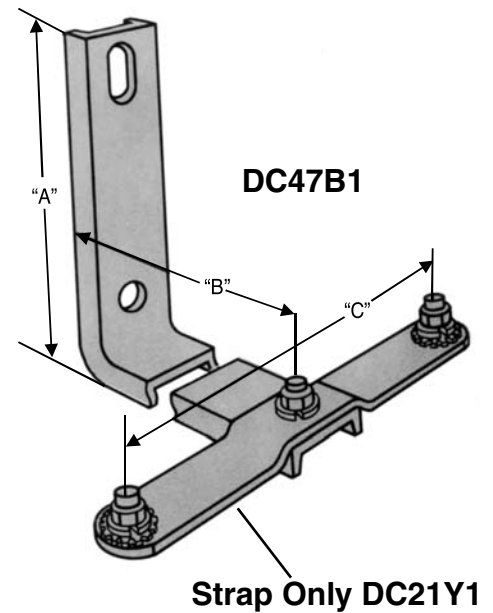
NOTE: Because Hubbell has a policy of continuous product improvement, we reserve the right to change design and specifications without notice.

Mounting Brackets

Pole Mounting Bracket

The wide variety of pole-mounting brackets differs to accommodate various device mounting positions and materials sizes. This wide selection lets you choose the bracket which best satisfies a particular requirement for cutout, arrester, and/or terminator mounting, single- or three-phase construction.

All necessary device attachment hardware is included. Captive mounting bolts (1/2" diameter) aid installation.



Catalog No.	Dimensions (in.)							Std. Pkg.	Weight 100 Pcs.
	"A"	"B"	"C"	Material Sizes		Mounting Holes			
				Channel	Strap	Upper	Lower		
DC47B1	7-1/2	11	9	1/8 x 1/2 x 2	3/8 x 2	11/16 x 1-1/4 slot	11/16	10 pcs.	510 lbs.

NOTE: Because Hubbell has a policy of continuous product improvement, we reserve the right to change design and specifications without notice.



CHANCE

210 N. Allen St. • Centralia, MO 65240

©2007 Hubbell Incorporated

Printed in USA

Mounting Brackets

Wing- or Frame-Type Cluster Mounting Bracket

Frame (wing) type transformer mounting brackets offer a simplified, dependable means for mounting multiple pole type transformers on poles in a "cluster" arrangement. Manufactured of high strength steel, stability and balanced pole loading is provided in fulfilling mounting needs for both initial and future transformer requirements.

Transformers may be assembled to the bracket on the ground and many electrical connections made prior to raising the entire cluster into position. Designed for direct mounting to the pole with machine bolts. Keyhole and key slot mounting holes allow the entire assembly to be placed on 3/4" machine bolts already installed on the pole. Holes in lower arms provide a convenient means of grounding the entire structure.

Available in three sizes to accommodate transformers from 3 to 500 kVa having 12" and 24" spacing.

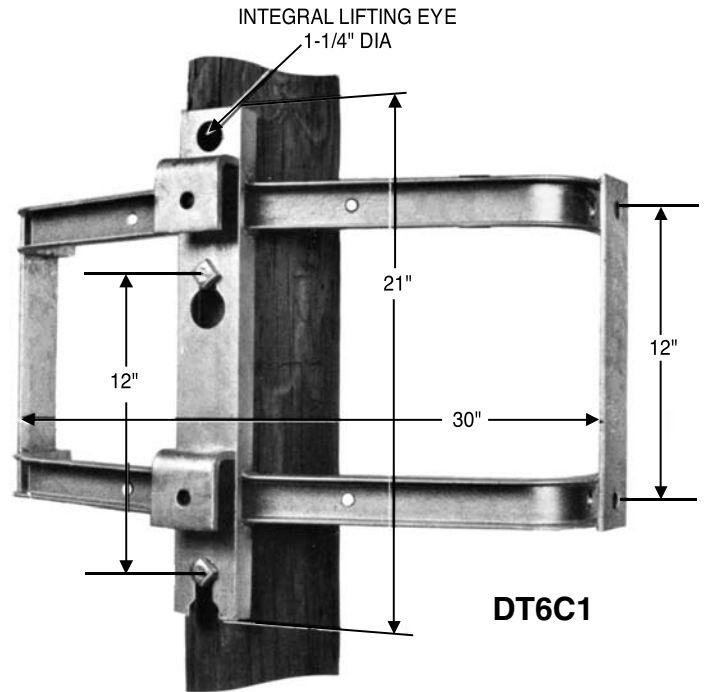
Compatible with ANSI type "A", "B" and "C" lugs.

Note: DT16A1 adapter plates are required for mounting transformers with ANSI type "C" lugs.

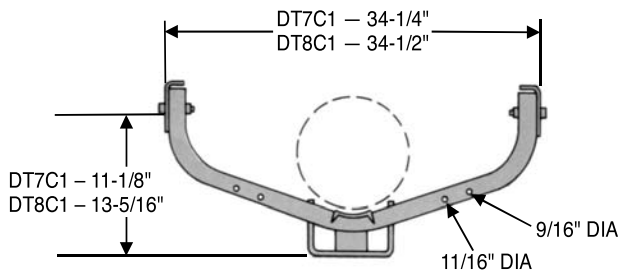
Hardware for mounting the transformer to the bracket is included.

Machine bolts for mounting to the pole, insulator pins, eyebolts and adapter plates are all sold separately.

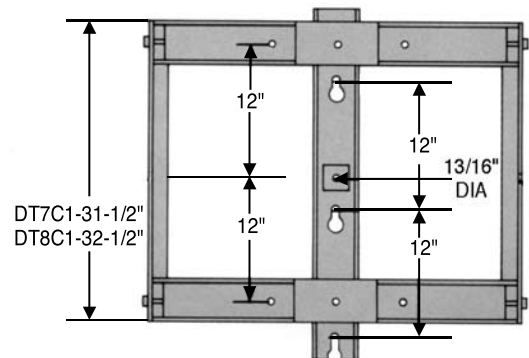
Hot-dipped galvanized in accordance with ASTM A153 for corrosion resistance.



DT6C1



TOP VIEW
DT7C1 and DT8C1



FRONT VIEW
DT7C1 and DT8C1

Catalog No.	kVA Range	NEMA Lug Spacing (in.)	Max. Capacity per Position (lbs.)	Total Max Capacity (lbs.)	Std. Pkg.	Weight 100 Pcs.	Bolts ONLY
DT6C1**★	3-50	12	2000	6,000	1 pc.	3,200 lbs.	DF34M2
DT7C1**★	3-333***	12 and 24	3600	10,800	1 pc.	6,900 lbs.	DF34M4
DT8C1**★	3-500***	12 and 24	5000	15,000	1 pc.	9,800 lbs.	DF34M1

* Includes integral lifting eye.

** Insulator pins (order separately) may be attached to holes in upper arms for lead training. 5/8" Eyebolts placed in holes in upper arms can be used as temporary lifting lugs. Order eyebolts separately.

*** Horizontal adapter plates required for transformers with NEMA "C" lugs.

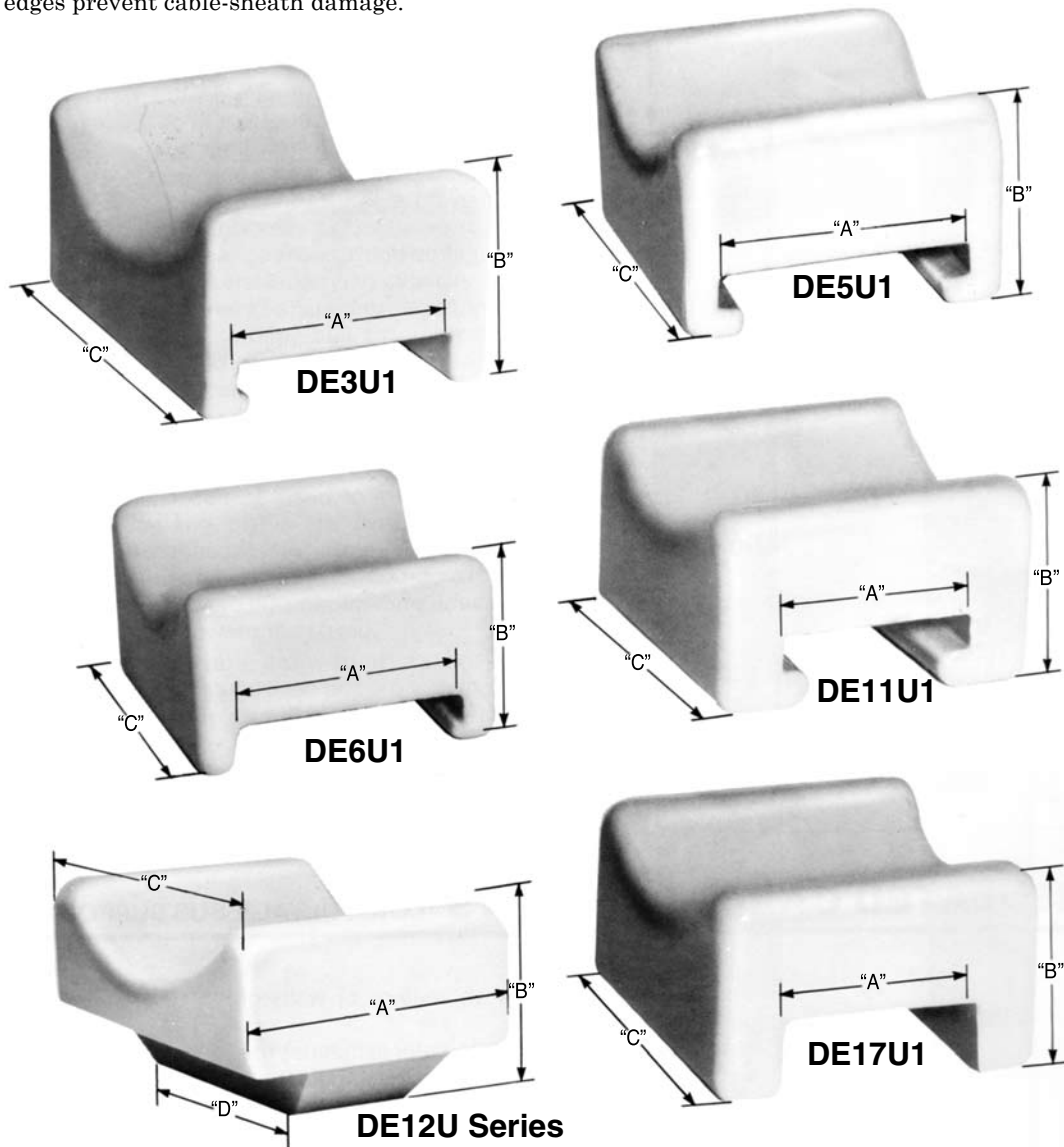
★RUS-Accepted

NOTE: Because Hubbell has a policy of continuous product improvement, we reserve the right to change design and specifications without notice.

Insulators

Cable Support Insulators

High-grade electrical porcelain insulators with rounded corners and edges prevent cable-sheath damage.



Catalog No.	Dimensions (in.)				Groove Radius	Accommodates Support (Catalog No. Series)	Std. Pkg.	Weight 100 Pcs.
	"A"	"B"	"C"	"D"				
DE3U1	2-1/16	2-1/16	4	—	2 1/16	DU1S, DU3S	50 pcs.	112 lbs.
DE5U1	2-1/16	1-3/4	3	—	1 7/16	DU3S	50 pcs.	76 lbs.
DE6U1	2-1/16	1-3/4	3	—	1 7/16	DU1S, DU3S	50 pcs.	74 lbs.
DE11U1	1-5/8	1-11/16	2-3/4	—	1 1/2	DU5S	50 pcs.	78 lbs.
DE12U1	2-1/2	1-5/8	3-1/4	1-3/8	1 3/4	DU3S, DU9S	50 pcs.	70 lbs.

NOTE: Because Hubbell has a policy of continuous product improvement, we reserve the right to change design and specifications without notice.



CHANCE

210 N. Allen St. • Centralia, MO 65240

©2007 Hubbell Incorporated

Printed in USA

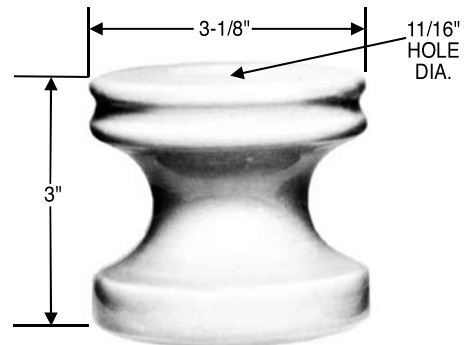
Insulators

Spool Insulators

DE4S Series

Use with clevises, racks and brackets for deadending or supporting secondary voltage conductors. Electrical-grade porcelain; self-cleaning glazed surface.

Center hole, tapered at each end, minimizes breakage if supporting clevis pin or bolt deflects under stress.



DE4S Series

Catalog No.	Porcelain Process	Porcelain Glaze	Ultimate Strength (lb.)	Low-Frequency Flashover Test (kV)			Std. Pkg.	Weight 100 Pcs.
				Dry 60 sec.	Wet, 10 Sec.			
					Horizontal	Vertical		
DE4S3*†	Wet	Brown	3000*	25	15	12	50 pcs.	124 lbs.
DE4S5†	Wet	Blue-gray	3000	25	15	12	50 pcs.	140 lbs.

EEI strength class 53-2

*RUS-Accepted

†ANSI/NEMA standard

NOTE: Because Hubbell has a policy of continuous product improvement, we reserve the right to change design and specifications without notice.

Ice Breaker Padlock

The perfect answer for sub-station fences, switches, outdoor cubicles and many other applications where ice, dust or corrosion have been problems in the past.

- Thousands of padlocks have been tested for many applications in outdoor service under conditions of freezing rain, ice storms, melting and freezing snow and heavy condensation that freezes at night.
- Padlocks are available to keyed alike or differently.
- Padlock face is protected by flush fitting, flip up lid held snugly against the padlocks by a spring.
- Disc tumbler lock is housed in a one-piece sturdy aluminum alloy casting. All components are of non-ferrous metals to prevent rust.
- The swing yoke easily breaks through heavy coatings of ice as the lock is opened.
- Keyed-alike locks are available with four different series of key numbers.
- Keyed-differently locks are available in series of successive key numbers.



The padlock weighs 12 ounces and is 5³/₈" high, 1¹/₂" wide, 2¹/₄" deep. Yoke diameter is 5/16".

Ordering Information

Catalog No.	Description	Key Configuration	Key Only Catalog No.	Key ID No.
DMPL61A1T	Ice Breaker Padlock, Keyed Alike	A Master Key	DM21M902	5239
DMPL61A2T	Ice Breaker Padlock, Keyed Alike	B Master Key	DM21M903	2382
DMPL61A3T	Ice Breaker Padlock, Keyed Alike	C Master Key	DM21M904	X-634
DMPL61A4T	Ice Breaker Padlock, Keyed Alike	D Master Key	DM21M905	X-649
DMPL61D1T	Ice Breaker Padlock, Keyed Differently	Individually Keyed	—	—

NOTE: Because Hubbell has a policy of continuous product improvement, we reserve the right to change design and specifications without notice.



CHANCE

210 N. Allen St. • Centralia, MO 65240

©2007 Hubbell Incorporated

Printed in USA

Ground Rods

Copper bonded

10 Mil - 13 Mil

Manufactured by molecularly bonding of 99.95 pure electrolytic copper to high strength steel core rod.

Core rod is rated for 80,000 lbs. tensile strength for driving into hard soils.

Satisfies the requirements of UL and NEMA GR-1 specifications.

Threaded and non-threaded ground rods are offered in both 10 mil and 13 mil (RUS specified) plating thickness.

Each rod permanently marked with company designation (HPS) and catalog number.

Available accessories include couplers, drive heads, drive tips, ground rod clamps and conductive paste.

A complete line of bronze ground rod clamps are available for connecting copper cable in parallel with the copper bonded ground rod. A heavy-duty clamp is available for high-pressure applications.



Drive Heads



Coupler



Ground Rods



Couplers



Non-Threaded



Ground Rods

Threaded

Copper bonded Ground Rods — Non-Threaded

Catalog Number	Plating ⁽¹⁾ ⁽²⁾ Thickness	Rod Diameter	Rod Length	Std. Pkg.
C615885	5 mil	5/8"	8'	5
C615855	5 mil	5/8"	5'	5
C611380	10 mil	1/2"	8'	5
C611300	10 mil	1/2"	10'	5
C615840	10 mil	5/8"	4'	5
C615850	10 mil	5/8"	5'	5
C615860	10 mil	5/8"	6'	5
C615880	10 mil	5/8"	8'	5
C615800	10 mil	5/8"	10'	5
C613450	10 mil	3/4"	5'	5
C613460	10 mil	3/4"	6'	5
C613480	10 mil	3/4"	8'	5
C613400	10 mil	3/4"	10'	5
C615883	13 mil	5/8"	8'	5
C615803	13 mil	5/8"	10'	5
C613483	13 mil	3/4"	8'	5

(1) 10 mil plating thickness meets the requirements of ANSI/UL 467-1984 and ANSI/NEMA GR-1.

(2) 13 mil plating thickness meets the requirements of ANSI/UL 467-1984 and ANSI/NEMA GR-1.

NOTE: Because Hubbell has a policy of continuous product improvement, we reserve the right to change design and specifications without notice.

Ground Rods

Copper bonded

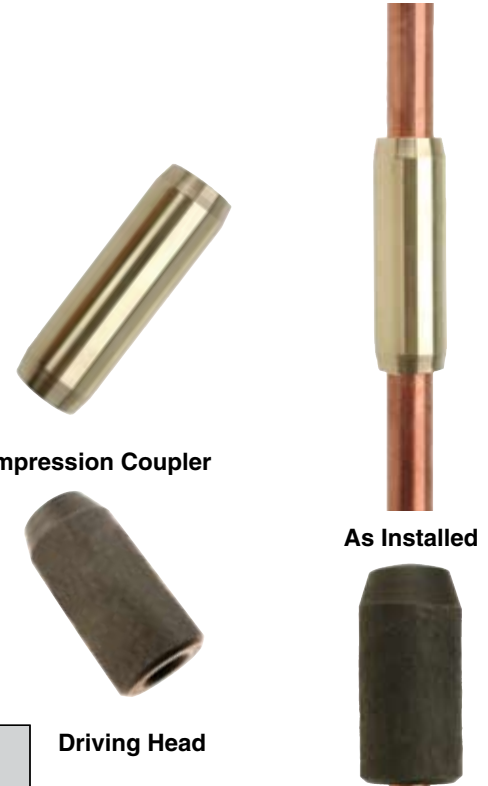
SUPPLEMENTAL CATALOG
BULLETIN 5-53.17
MAY 2003

Coupler For Non-Threaded Ground Rods

Catalog Number	Diameter of Rod	Std. Pkg.
CCC12	1/2"	25
CCC58	5/8"	25
CCC34	3/4"	25

Driving Head For Non-Threaded Ground Rods

Catalog Number	Diameter of Rod	Std. Pkg.
CDH12	1/2"	25
CDH58	5/8"	25
CDH34	3/4"	25



Copper bonded Ground Rods — Threaded

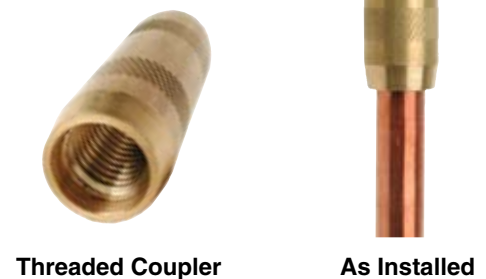
Catalog Number	Plating ^{(1) (2)} Thickness	Rod Diameter	Rod Length	Std. Pkg.
C631380	10 mil	1/2"	8'	5
C631300	10 mil	1/2"	10'	5
C635840	10 mil	5/8"	4'	5
C635850	10 mil	5/8"	5'	5
C635860	10 mil	5/8"	6'	5
C635880	10 mil	5/8"	8'	5
C635800	10 mil	5/8"	10'	5
C633460	10 mil	3/4"	6'	5
C633480	10 mil	3/4"	8'	5
C633400	10 mil	3/4"	10'	5
C635883	13 mil	5/8"	8'	5

(1) 10 mil plating thickness meets the requirements of ANSI/UL 467-1984 and ANSI/NEMA GR-1.

(2) 13 mil plating thickness meets the requirements of ANSI/UL 467-1984 and ANSI/NEMA GR-1.

Coupler For Threaded Ground Rods

Catalog Number	Diameter of Rod	Std. Pkg.
CTC12	1/2"	25
CTC58	5/8"	25
CTC34	3/4"	25



NOTE: Because Hubbell has a policy of continuous product improvement, we reserve the right to change design and specifications without notice.



CHANCE

210 N. Allen St. • Centralia, MO 65240

©2007 Hubbell Incorporated

Printed in USA

Ground Rods

Copper bonded

Drive Head For Threaded Ground Rods

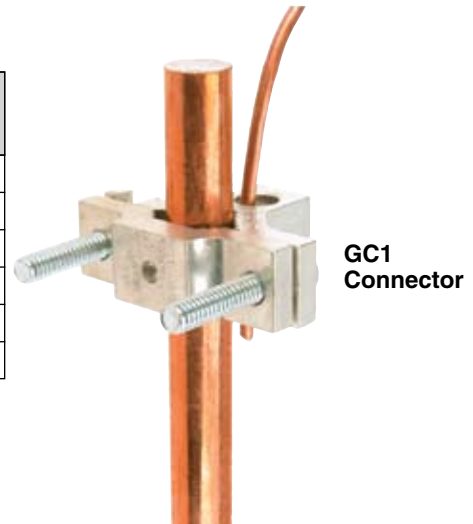
Catalog Number	Diameter of Rod	Std. Pkg.
CTDH12	1/2"	25
CTDH58	5/8"	25
CTDH34	3/4"	25



Ground Rod Clamps — Bronze

Refer to Anderson & Fargo Connector Catalog for additional information.

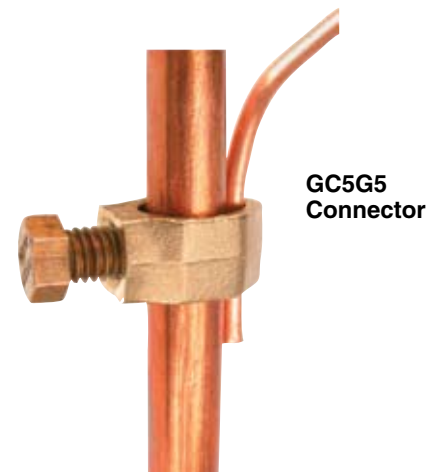
Catalog Number	Type	Diameter of Rod	Wt./ Ea. (kg.)	Std. Pkg.
GC4	Normal Duty	1/2"	0.09 (.04)	1
GC5G5	Normal Duty	5/8"	.11 (.05)	100
GC6	Normal Duty	3/4"	.13 (.06)	25
GC10301	Heavy Duty	1/2"	.24 (.11)	50
GC10302	Heavy Duty	5/8"	.38 (.17)	75
GC10303	Heavy Duty	3/4"	.51 (.23)	18



Ground Rod or Pipe Clamp — AL/Cu

Refer to Anderson & Fargo Connector Catalog for additional information.

Catalog Number	Type	Diameter of Rod	Wt./ Ea. (kg.)	Std. Pkg.
GC1	Standard	3/8" - 1"	.11 (.05)	1



Conductive Paste

Catalog Number	Description	Std. Pkg.
CP113	8 oz. Bottle	12

NOTE: Because Hubbell has a policy of continuous product improvement, we reserve the right to change design and specifications without notice.

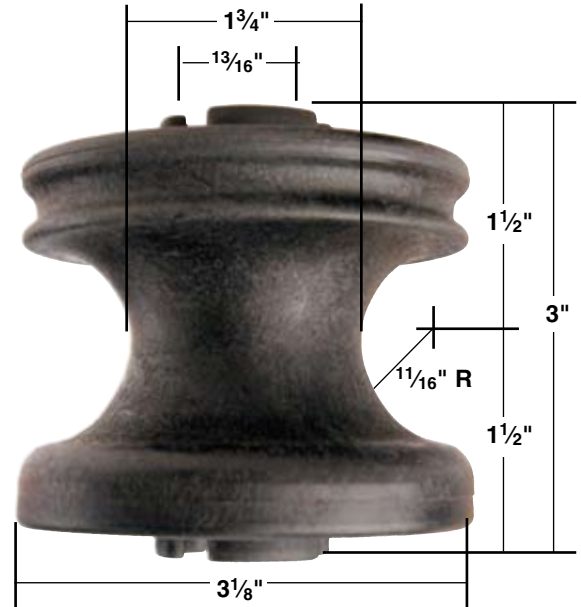
POLYMER SPOOL INSULATOR

SUPPLEMENTAL CATALOG
BULLETIN 5-53.19
NOVEMBER 2004

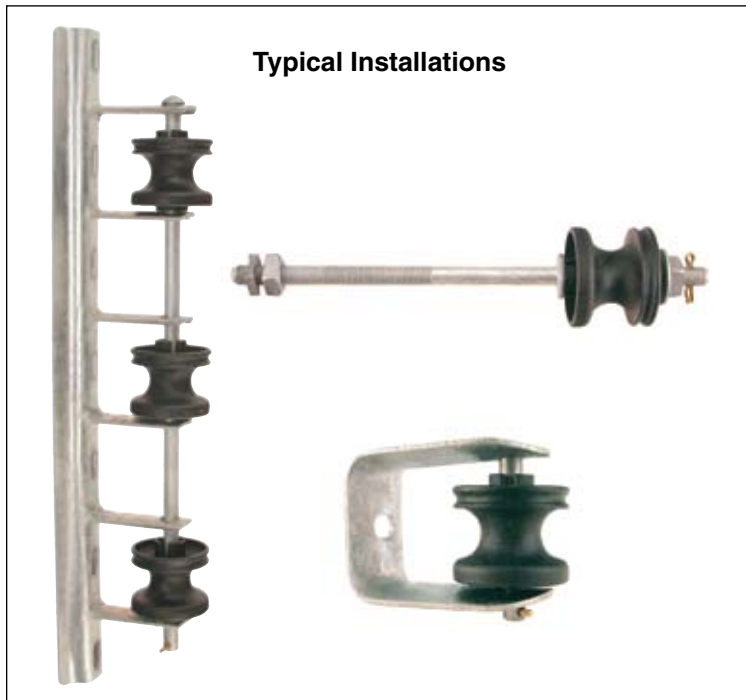
Revised May 2006

- Meets ANSI 53-2 spool requirements:
 - 3,000-lb. ultimate tensile strength
 - Low frequency flashover ratings of Dry 25 kV, Wet 15 kV
- Lightweight at 4.4 oz. (vs. Porcelain at 1 lb. 3 oz.)

A superior direct replacement for porcelain ANSI 53-2 spools in identical installations, this polymer spool won't chip, crack or break like porcelain. To be compatible with standard hardware installations, its shape is consistent with its porcelain counterparts. Molded from specially-blended UV-stable polymers, it delivers high compressive strength and electrical performance. Light weight (4.4 oz.) is inherent to the rugged polymer material.



Catalog No. C9091032P



Typical Installations

Ordering Information

Catalog Number	Shipping Weight, Each	Standard Pkg. Qty.	Standard Pallet Qty.
*C9091032P	0.29 lb.	50	2400

*RUS listed

NOTE: Because Hubbell has a policy of continuous product improvement, we reserve the right to change design and specifications without notice.



CHANCE

210 N. Allen St. • Centralia, MO 65240

©2007 Hubbell Incorporated

Printed in USA