

Pence **PLASTICS**



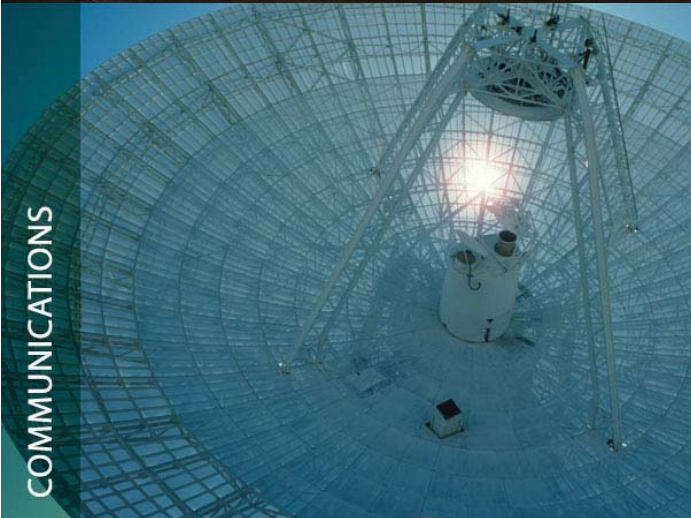
ELECTRICAL UTILITY



CONTRACTOR & INDUSTRIAL



COMMUNICATIONS



WATER



A Hubbell Company



MADE IN USA

For Over 50 Years



1. Contact Information 1

2. Technical Information 2

3. Grade Level Buried Enclosures 3

4. Above Grade Pedestals 4

5. Transformer Pads 5

6. Looping Pedestals & Fiber Optic Accumulators 6

7. Hardware, Locking Options, Brackets, etc. 7

8. Typical Installation Procedures 8

9. The PenCell Option System 9



FAMILY OF PRODUCTS

For over 50 years, PenCell Plastics has been a specialist in the design and manufacture of products for the:



- Telephone
- Electric



- Cable TV
- Water Industries



Our superior product design, engineering, and moldmaking capabilities have set the standard for quality in the field of utility enclosures.

Lightweight enclosures from PenCell are heavily ribbed for reinforcement and will support thousands of pounds of dead weight.



Covers are available in either Plastic, Polymer Concrete, or Steel.



A large inventory is maintained at all times, and orders of virtually any size are easily shipped within a week.



PenCell products are sold through our worldwide network of authorized representatives.



To locate the sales office nearest you, please call or email us or visit our website.





800-257-9448 // 252-467-2210
pencell.com // info@pencell.com
P.O. Box 8317 Rocky Mount, NC 27804

Contact Information

Office Hours: Monday - Friday 8:00 AM - 5:00 PM EST

Sales Contact Information

Inside Sales:

Terri Cooke, Inside Sales Supervisor
tcooke@hubbell.com Direct Line: 252-467-2218

Tracy Street
tstreet@hubbell.com Direct Line: 252-467-2220

Director of Sales:

Chris Watson
cwatson@hubbell.com Cell 252-944-4780

Manufacturer's Representatives and Stocking Agents:

Our website will link you to the agent in your area. Please visit the Rep Locator Map pages at www.pencell.com for contact information. You may also contact our Inside Sales staff for more information.

Technical Help Desk and Engineering:

John Unger, Director of Engineering
Extension 2216

Ryan Hudlow, Engineer
Extension 2225

General Contact Information

Toll Free: (800) 257-9448

Phone: (252) 467-2210

Fax: (252) 467-2212

Website: www.pencell.com

General E-Mail: info@pencell.com

Mailing Address:

P. O. Box 8317, Rocky Mount, NC 27804-8317

Physical Location:

546 English Road, Rocky Mount, NC 27804

Administration:

Accounting, Purchasing and Human Resources
Adam Johnson, Extension 2221

Plant Manager
Rich Johnson, Extension 2227

1

All Pencell Enclosures are Made In the U.S.A.



546 English Road Rocky Mount, North Carolina 27804

pencell.com



TECHNICAL INFORMATION

SHIPPING / FREIGHT

COVER TYPE	COVER RATING	TEST AREA
PLASTIC	5,000 LBS.	10" x 10"
STEEL	6,000-10,000 LBS.	10" x 10"
POLYMER CONCRETE	10,000-20,000 LBS.	10" x 10"



PenCell’s plastic enclosures and plastic covers are for locations that are non-traffic or may experience occasional, non-deliberate light vehicle exposure.

PenCell’s polymer concrete and steel covers may be used with our plastic enclosures in locations that may have an occasional, but non-deliberate, light to heavy vehicle exposure.

NOTE: No PenCell product should be placed in a full traffic or a deliberate vehicle traffic area. This includes all areas requiring a “H” type rating.

MATERIAL SPECIFIC INFORMATION:

HDPE (High Density Polyethylene)

- Thermal Shock-ASTM D-756
- Water Absorption-ASTM D-570 Section 6.1
- Weathering-ASTM D-822 Sec. 6.2 Proc. A
- Chemical Resistance-ASTM D-543
- Flammability-Union Carbide Method WC-73-D-1

LDPE (Roto Molded Parts)

- Impact test per (ARM)=68 ft.-lb., -40 C, F50
- Flexural Modules (ASTM D-790) = 115,000 psi
- ESCR=1000 hours, F50, Cond. B, 100% Igepal
- Flammability(UL)=UL 94 HB
- Heat Distortion (ASTM D-648)=64, 66 psi

GENERAL INFORMATION:

Terms: Net 30 Days/Visa & Mastercard Accepted

Shipping: F.O.B. Plant - 546 English Rd.,
Rocky Mount, NC 27804

Packaging: Add 25% to price on less than standard package

Overnight/Air Freight: \$40.00 handling charge added

Quality: Discount pricing on request

Return Policy: 25% Restock Charge
RGA# required - Customer pays return freight





800-257-9448 // 252-467-2210
pencell.com // info@pencell.com
P.O. Box 8317 Rocky Mount, NC 27804

3. Grade Level Buried Enclosures

3



Series PE-6 - Grade Level Buried Cable Enclosure



3

- Widely used in Electric, CATV, Telephone, and Water Industries
- Base made of high density polyethylene structural foam
- Various covers and colors available
- All stainless steel hardware, including captive bolts
- Rigid enclosure and cover are lightweight and easy to handle
- RUS accepted

Series PE-6 - Grade Level Buried Cable Enclosure

To order complete units (enclosure and cover):

PE-6HD

Enclosure with high density polyethylene lid

To order separate parts:

PE-6-PL

High density polyethylene lid



PE-6-GS

High density polyethylene enclosure base

To order options specify:

- Options:** (X) 3/8-16 Penta Head Bolt
 (H) Hex Head Bolt
 (B) Button Head Bolt (Allen type)
 (K) Knockouts (2) 2 1/2x2 1/4 per box

Example: PE-6HDHK
 Enclosure with H.D. polyethylene lid with hex head bolt and knockouts.

Identification: (Electric, CATV, Telephone, GRD Test, Water, Irrigation, Communications)
 Custom logos available - contact factory or agent.

This unit is molded of high density polyethylene. Flange around base prevents frost heaving or tilting. Units can be nested for a minimum amount of warehouse storage space. Units are offered in green and gray molded-in color.

Recommendations on the application of our products are based on best available technical data and are offered as a suggestion only. Each user of the material should make his own tests to determine the material's suitability for his own particular use.

Series PE-9 - Grade Level Buried Cable Enclosure



3

- Widely used in Electric, CATV, Telephone, and Water Industries
- Base made of high density polyethylene structural foam
- Various covers and colors available
- All stainless steel hardware, including captive bolts
- Rigid enclosure and cover are lightweight and easy to handle
- RUS accepted

Series PE-9 - Grade Level Buried Cable Enclosure

To order complete units
 (enclosure and cover):

PE-9HD

Enclosure with high density
 polyethylene lid

3/8-16 S/S Bolt



To order separate parts:

PE-9-PL

High density
 polyethylene lid

PE-9-GS

High density polyethylene
 enclosure base

10"
 (25.4cm)

To order options specify:

Options: (X) 3/8-16 Penta Head Bolt
 (H) Hex Head Bolt
 (B) Button Head Bolt
 (Allen type)
 (K) Knockouts
 (2) 3 1/4 x 2 1/4 per box

Example: PE-9HDHK
 Enclosure with H.D.
 polyethylene lid with hex
 head bolt and knockouts.

Identification: (Electric, CATV, Telephone, GRD Test,
 Water, Irrigation, Communications)
 Custom logos on request. Contact factory or agent.

This unit is molded of high density polyethylene.
 Flange around base prevents frost heaving or tilting.
 Units can be nested for a minimum amount of ware-
 house storage space. Units are offered in green or
 gray molded-in color.

*Recommendations on the application of our products are
 based on best available technical data and are offered as a
 suggestion only. Each user of the material should make his
 own tests to determine the material's suitability for his own
 particular use.*

Series PE-10 - Grade Level Buried Cable Enclosure



- Widely used in Electric, CATV, Telephone, and Water Industries
- Base made of high density polyethylene structural foam
- Various covers and colors available
- All stainless steel hardware, including captive bolts
- Rigid enclosure and cover are lightweight and easy to handle
- RUS accepted

Series PE-10 - Grade Level Buried Cable Enclosure

To order complete units
(enclosure and cover):

PE-10-U

Enclosure with galvanized cover

PE-10HD

Enclosure with high density polyethylene lid

PE-10U-4

Enclosure with steel lid and concrete mounting ring

PE-10HD-4

Enclosure with plastic lid and concrete mounting ring

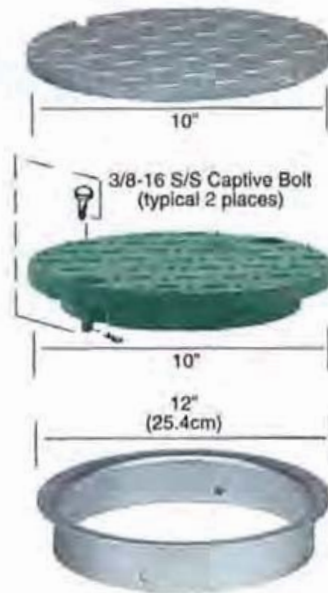
To order options specify:

Options: (X) 3/8-16 Penta Head Bolt
 (H) Hex Head Bolt
 (B) Button Head Bolt (Allen type)
 (G) Ground Lug

Example: PE-10HDH
 Enclosure with H.D. polyethylene lid and hex head bolt

Identification: (Electric, CATV, Telephone, Water, Irrigation, Communications)
 Custom logos on request. Contact factory or agent.

This unit is molded of high density polyethylene. Flange around base prevents frost heaving or tilting. Units can be nested for a minimum amount of warehouse storage space. Units are offered in green molded-in color.



To order separate parts:

PE-10-SL

3/16 diamond plate steel, hot dipped galvanized

PE-10-PL

High density polyethylene lid

PE-10-4

Electro-galvanized steel concrete mounting ring

PE-10-GS

High density polyethylene enclosure base



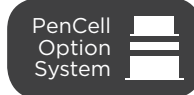
Recommendations on the application of our products are based on best available technical data and are offered as a suggestion only. Each user of the material should make his own tests to determine the material's suitability for his own particular use.

Series PE-14 - Grade Level Buried Cable Enclosure



3

- Widely used in Electric, CATV, Telephone, and Water Industries
- Base made of high density polyethylene structural foam
- Various covers available
- All stainless steel hardware, including captive bolts
- Rigid enclosure and cover are lightweight and easy to handle
- RUS accepted

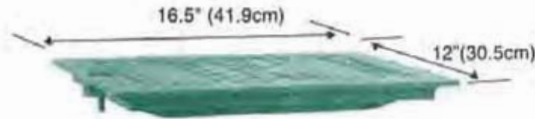


Series PE-14 - Grade Level Buried Cable Enclosure

To order complete units (enclosure and cover):

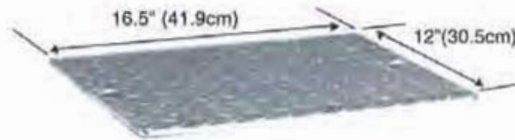
PE-14HD

Enclosure with high density polyethylene lid



PE-14U

Enclosure with steel lid



To order separate parts:

PE-14-PL

High density polyethylene lid

PE-14-SL

3/16 diamond plate steel, hot dipped galvanized

PE-14-GS

High density polyethylene enclosure base



PE-14HD-5

Enclosure with plastic lid and 5 inch lower extension

To order options specify:

Options: (X) 3/8-16 Penta Head Bolt
 (H) Hex Head Bolt
 (B) Button Head Bolt (Allen type)
 (G) Ground Lug

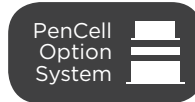
Example: PE-14HD-5H
 Enclosure with H.D. polyethylene lid, 5 inch lower extension and hex head bolt.

Identification: (Electric, CATV, Telephone, Water, Irrigation, Communications)
 Custom logos on request. Contact factory or agent.

This unit is molded of high density polyethylene. Flange around base prevents frost heaving or tilting. Units can be nested for a minimum amount of warehouse storage space. Units are offered in green or gray molded-in color.

Recommendations on the application of our products are based on best available technical data and are offered as a suggestion only. Each user of the material should make his own tests to determine the material's suitability for his own particular use.



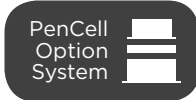


Series PE-20 - Grade Level Buried Cable Enclosure



3

- Widely used in Electric, CATV, Telephone, and Water Industries
- Base made of high density polyethylene structural foam
- Various covers available
- All stainless steel hardware, including captive bolts
- Rigid enclosure and cover are lightweight and easy to handle
- RUS accepted



Series PE-20 - Grade Level Buried Cable Enclosure

To order complete units (enclosure and cover):

PE-20HD

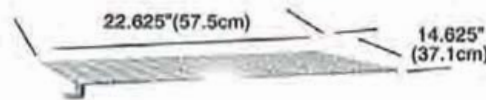
Enclosure with high density polyethylene lid

PE-20U

Enclosure with steel lid

PE-20-5

2 inch spacer



To order specify:

Standard: (X) 3/8-16 Penta Head Bolt

Options: (H) Button Head Bolt

(Allen type)

(CL) Crimp type lock only

(XCL) Double locking device, to be used with above bolts and a crimp type lock.

(G) Ground Lug

Example: PE-20HDH

Enclosure with H.D. polyethylene lid and hex head bolt.

Identification: (Electric, CATV, Telephone, Water, Irrigation, Communications)
 Custom logos on request. Contact factory or agent.

To order separate parts:

PE-20-PL

High density polyethylene lid

PE-20-SL

3/16 diamond plate steel, hot dipped galvanized

PE-20-2

2 inch spacer

PE-20

High density polyethylene enclosure

This unit is molded of high density polyethylene. Flange around base prevents frost heaving or tilting. Units can be nested for a minimum amount of warehouse storage space. Units are offered in green or gray molded-in color.

Recommendations on the application of our products are based on best available technical data and are offered as a suggestion only. Each user of the material should make his own tests to determine the material's suitability for his own particular use.

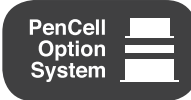


Series PE-30 - Grade Level Buried Cable Enclosure



3

- Widely used in Electric, CATV, Telephone, and Water Industries
- Base made of high density polyethylene structural foam
- Various covers available
- All stainless steel hardware, including captive bolts
- Rigid enclosure and cover are lightweight and easy to handle
- RUS accepted



Series PE-30 - Grade Level Buried Cable Enclosure

To order complete units (enclosure and cover):

PE-30HD

Enclosure with high density polyethylene lid



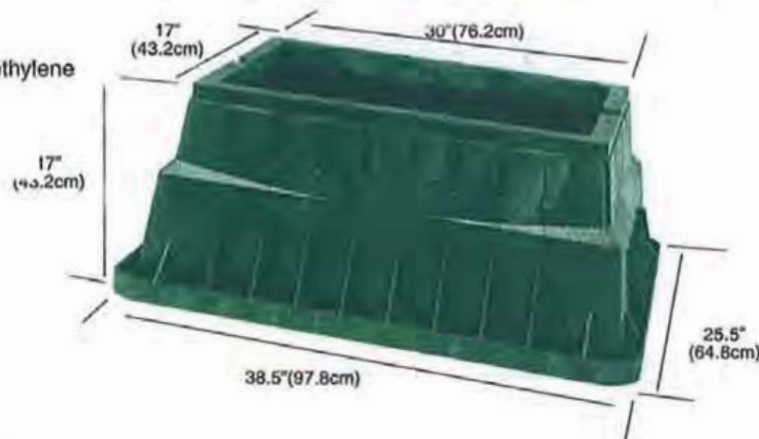
PE-30U

Enclosure with steel lid



PE-30-GS

High density polyethylene enclosure base



To order separate parts:

PE-30-PL

High density polyethylene lid

PE-30-SL

3/16 diamond plate steel, hot dipped galvanized

PE-30-2

2 inch spacer

To order specify:

Standard: (X) 3/8-16 Penta Head Bolts

Options: (H) Hex Head Bolts
 (B) Button Head Bolt (Allen type)
 (CL) Crimp type lock only
 (XCL) Double locking device, to be used with above bolts and a crimp type lock.
 (G) Ground Lug

Example: PE-30HDX
 Enclosure with H.D. polyethylene lid and penta head bolts.

Identification: (Electric, CATV, Telephone, Water, Irrigation, Communications)
 Custom logos on request. Contact factory or agent

This unit is molded of high density polyethylene. Flange around base prevents frost heaving or tilting. Units can be nested for a minimum amount of warehouse storage space. Units are offered in green or gray molded-in color.

Recommendations on the application of our products are based on best available technical data and are offered as a suggestion only. Each user of the material should make his own tests to determine the material's suitability for his own particular use.



Series PE-30-12 - Grade Level Buried Cable Enclosure



3

- Widely used in Electric, CATV, Telephone, and Water Industries
- Base made of high density polyethylene structural foam
- Various covers available
- All stainless steel hardware, including captive bolts
- Rigid enclosure and cover are lightweight and easy to handle

Series PE-30-12 - Grade Level Buried Cable Enclosure

To order complete units
(enclosure and cover):

PE-30-12HD

Enclosure with
high density
polyethylene lid.

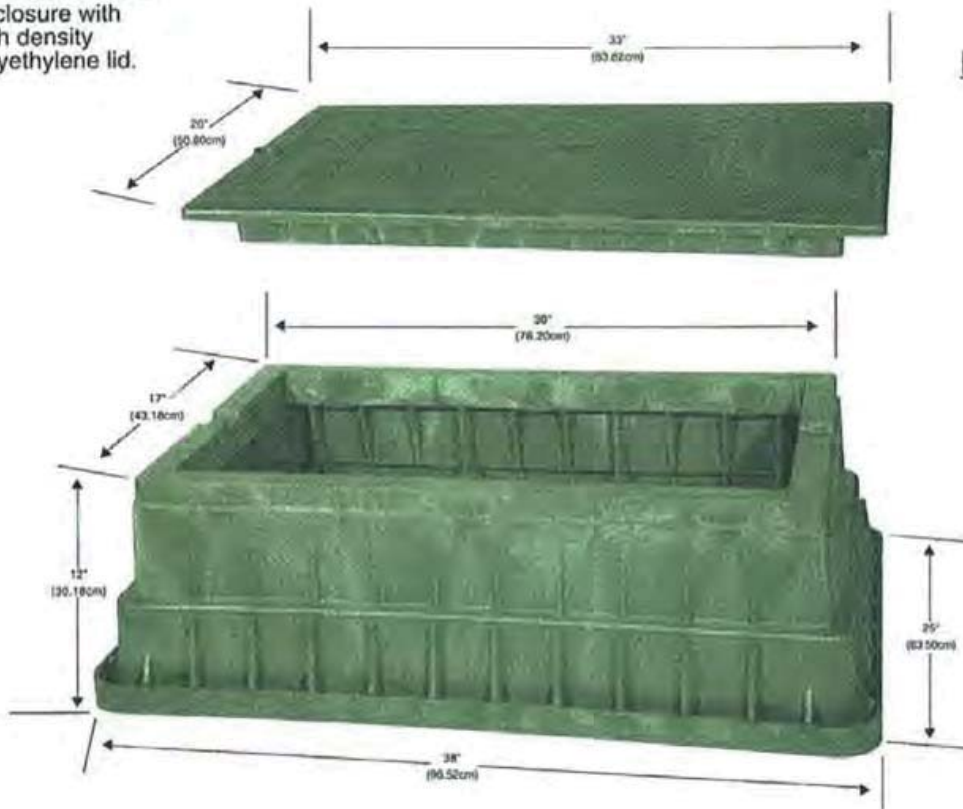
To order separate parts :

PE-30-12 PL

High density
polyethylene lid

PE-30-12 GS

High density
polyethylene
enclosure base



To order specify:

Standard: (X) 3/8-16 Penta Head Bolts

Options: (H) Hex Head Bolts
 (B) Button Head Bolts (Allen type)
 (CL) Crimp type lock only
 (XCL) Double locking device, to be used
 with above bolts and crimp type lock.

Example: PE-30-12HDX
 Enclosure with H.D. polyethylene lid
 and penta head bolts.

Identification: (Electric, CATV, Telephone, Water and Irrigation) Custom logo's available, Contact factory or agent.

This unit is molded of high-density polyethylene. Flange around base prevents frost heaving or tilting. Units can be nested for a minimum amount of warehouse storage space. Units are offered in green or gray molded-in color.

Recommendations on the application of our products are based on best available technical data and are offered as a suggestion only. Each user of the material should make his own tests to determine the material's suitability for his own particular use.

Series PE-36 - Grade Level Buried Cable Enclosure



3

- Widely used in Electric, CATV, Telephone, and Water Industries
- Base made of high density polyethylene structural foam
- Various covers available
- All stainless steel hardware, including captive bolts
- Rigid enclosure and cover are lightweight and easy to handle
- RUS accepted

Series PE-36 - Grade Level Buried Cable Enclosure

To order complete units
(enclosure and cover):

PE-36HD

Enclosure with high density polyethylene lid



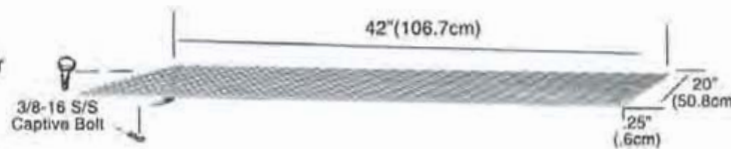
To order separate parts:

PE-36-PL

High density polyethylene lid

PE-36A

Enclosure with aluminum cover



PE-36-AL

Aluminum lid



PE-36-GS

High density polyethylene enclosure base

To order specify:

Standard: (H) Hex Head Bolt

Options: (X) 3/8-16 Penta Head Bolt
 (B) Button Head Bolt (Allen type)
 (M) One alnico magnet for detection

Example: PE-36HDHM
 Enclosure with H.D. polyethylene lid,
 hex head bolts plus one alnico magnet.

Identification: (Electric, CATV, Telephone, Water,
 Irrigation, Communications)
 Custom logos on request. Contact factory or agent

This unit is molded of high density polyethylene. Flange around base prevents frost heaving or tilting. Units can be nested for a minimum amount of warehouse storage space. Units are offered in green molded-in color.

Recommendations on the application of our products are based on best available technical data and are offered as a suggestion only. Each user of the material should make his own tests to determine the material's suitability for his own particular use.

Series PEM-10 - Grade Level Buried Cable Enclosure



3

- Widely used in Electric, CATV, Telephone, Water, and D.O.T. Industries
- Base made of high density polyethylene structural foam
- Lids are made of polymer concrete
- All stainless steel hardware, including captive bolts
- Rigid enclosure and cover are lightweight and easy to handle
- Box and lid are rated at 20K

Series PEM-10 - Grade Level Buried Cable Enclosure

To order complete unit
(enclosure and cover):

PEM-1010PC

Enclosure with high density polyethylene box and polymer concrete lid.



To order cover:
PCL- Polymer concrete

To order base
1010-GS

PEM-1010

Available In the Following Size

Part No.	Description	Dimensions in inches (centimeters)			Weight in Lbs. (kilograms)
		Width	Length	Depth	
PEM-1010	Box & Lid	10" (25.4cm)	10" (25.4cm)	12" (30.5cm)	25lb. (11.33kg)

To order specify:

- Standard:** (H) Hex Head Bolts
Options: (X) 3/8-16 Penta Head Bolts
 (B) Button Head Bolts

Example: PEM-1010PC
 Enclosure with polymer concrete lid and hex head bolts.

Identification: (Electric, CATV, Telephone, Water, Irrigation, Communications and D.O.T.)
 Custom logos on request. Contact factory or agent.

This unit is molded of high density polyethylene. The sidewall design prevents frost heaving. Units can be nested for a minimum amount of warehouse storage space. Units are offered in gray molded-in color.

Recommendations on the application of our products are based on best available technical data and are offered as a suggestion only. Each user of the material should make his own tests to determine the material's suitability for his own particular use.

Series PEM-12PC - Grade Level Buried Cable Enclosure



PEM - 1212PC



PEM - 1218PC



PEM - 1224PC

- Widely used in Electric, CATV, Telephone, Water, and D.O.T. Industries
- Base made of high density polyethylene structural foam
- Lids are made of polymer concrete
- All stainless steel hardware, including captive bolts
- Rigid enclosure and cover are lightweight and easy to handle
- Box and lid are rated at 20K

Series PEM-12 - Grade Level Buried Cable Enclosure

3

To order complete units
(enclosure and cover):



PEM-1212-PC

Enclosure with high density polyethylene box and polymer lid.



PEM-1218-PC

Enclosure with high density polyethylene box and polymer lid.



PEM-1224-PC

Enclosure with high density polyethylene box and polymer lid.

To order covers:
PCL- Polymer concrete

To order bases
1212-GS, 1218-GS, 1224-GS

Available In the Following Sizes

Part No.	Description	Dimensions in inches (centimeters)			Weight in Lbs. (kilograms)
		Width	Length	Depth	
PEM-1212-PC	Box & Lid	12" (30.5cm)	12" (30.5cm)	24" (61cm)	65lb. (29.5kg)
PEM-1218-PC	Box & Lid	12" (30.5cm)	18" (46cm)	24" (61cm)	89lb. (41kg)
PEM-1224-PC	Box & Lid	12" (30.5cm)	24" (61cm)	24" (61cm)	113lb. (51.2kg)

To order specify:

Standard: (H) Hex Head Bolts

Options: (X) 3/8-16 Penta Head Bolts
 (B) Button Head Bolts

Example: PEM-1224-PC
 Enclosure with polymer concrete lid and hex head bolts.

Identification: (Electric, CATV, Telephone, Water, Irrigation, Communications and D.O.T.)
 Custom logos on request. Contact factory or agent.

This unit is molded of high density polyethylene. The sidewall design prevents frost heaving. Units can be nested for a minimum amount of warehouse storage space. Units are offered in gray molded-in color.

Recommendations on the application of our products are based on best available technical data and are offered as a suggestion only. Each user of the material should make his own tests to determine the material's suitability for his own particular use.

Series PEM-18 - Grade Level Buried Cable Enclosure



3

- Widely used in Electric, CATV, Telephone, Water, and D.O.T. Industries
- Base made of high density polyethylene structural foam
- Lids are made of polymer concrete
- All stainless steel hardware, including captive bolts
- Rigid enclosure and cover are lightweight and easy to handle
- Box and lid are rated at 20K

Series PEM-18 - Grade Level Buried Cable Enclosure

To order complete unit
 (enclosure and cover):

PEM-1830PC

Enclosure with
 high density
 polyethylene box
 and polymer
 concrete lid.



To order cover:
PCL- Polymer concrete

To order base
1830-GS



PEM-1830

Available in the Following Size

Part No.	Description	Dimensions in inches (centimeters)			Weight in Lbs. (kilograms)
		Width	Length	Depth	
PEM-1830	Box & Lid	18" (45.7cm)	30" (76.2cm)	24" (61cm)	175lb. (79.4kg)

To order specify:

Standard: (H) Hex Head Bolts
Options: (X) 3/8-16 Penta Head Bolts
 (B) Button Head Bolts

Example: PEM-1830PC
 Enclosure with polymer concrete lid
 and hex head bolts.

Identification: (Electric, CATV, Telephone, Water,
 Irrigation, Communications and D.O.T.)
 Custom logos on request. Contact factory or agent.

This unit is molded of high density polyethylene.
 The sidewall design prevents frost heaving.
 Units can be nested for a minimum amount of
 warehouse storage space. Units are offered in
 gray molded-in color.

*Recommendations on the application of our products are
 based on best available technical data and are offered as a
 suggestion only. Each user of the material should make his
 own tests to determine the material's suitability for his own
 particular use.*

Series PEM-24 - Grade Level Buried Cable Enclosure



PEM - 2424



PEM - 2436PC



PEM - 2448PC



PEM - 2460

- Widely used in Electric, CATV, Telephone, and Water Industries
- Base made of high density polyethylene structural foam
- Optional split lid also available
- All stainless steel hardware, including captive bolts
- Rigid enclosure and cover are lightweight and easy to handle
- RUS accepted

Series PEM-24 - Grade Level Buried Cable Enclosure

To order complete units (enclosure and cover):

PEM-2424

Enclosure with high density polyethylene lid

PEM-2436

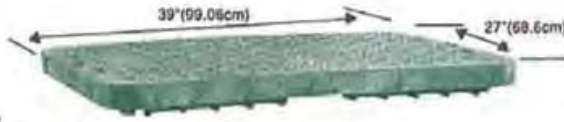
Enclosure with high density polyethylene lid

PEM-2448

Enclosure with high density polyethylene lid

PEM-2460

Enclosure with high density polyethylene lid



To order various covers:

- PL** - Plastic lid
- PCL** - Polymer concrete lid
- SPLIT** - 2 Piece lid

6 INCH SPACER

- PEM-2424-6
 - PEM-2436-6
 - PEM-2448-6
 - PEM-2460-6
- (All spacers can be stacked for additional depth)

To order various bases:

- 2424 - GS**
- 2436 - GS**
- 2448 - GS**
- 2460 - GS**

Available In the Following Sizes

Part No.	Description	Dimensions in inches (centimeters)			Weight In Lbs. (kilograms)
		Width	Length	Depth	
PEM-2424	Box & Lid	24" (61cm)	24" (61cm)	24" (61cm)	75 (34.0kg)
PEM-2436	Box & Lid	24" (61cm)	36" (91.4cm)	24" (61cm)	100 (45.3kg)
PEM-2448	Box & Lid	24" (61cm)	48" (121.9cm)	24" (61cm)	120 (54.4kg)
PEM-2460	Box & Lid	24" (61cm)	60" (152.4cm)	24" (61cm)	140 (63.5kg)

To order specify:

- Standard:** (H) Hex Head Bolts
Options: (X) 3/8-16 Penta Head Bolts
 (B) Button Head Bolts
 (SPLIT) 2 Piece Lid (Not available on PEM 2424)

Example: PEM-2424H
 Enclosure with H.D. polyethylene lid and hex head bolts.

Identification: (Electric, CATV, Telephone, Water, Irrigation, Communications)
 Custom logos on request. Contact factory or agent.

This unit is molded of high density polyethylene. The sidewall design prevents frost heaving or tilting. Units can be nested for a minimum amount of warehouse storage space. Units are offered in green or gray molded-in color.

Recommendations on the application of our products are based on best available technical data and are offered as a suggestion only. Each user of the material should make his own tests to determine the material's suitability for his own particular use.

Series PEM-30 - Grade Level Buried Cable Enclosure



PEM - 3036



PEM - 3048PC



PEM - 3060

- Widely used in Electric, CATV, Telephone, and Water Industries
- Base made of high density polyethylene structural foam
- Various covers available
- Optional split lid also available
- All stainless steel hardware, including captive bolts
- Rigid enclosure and cover are lightweight and easy to handle
- RUS accepted

Series PEM-30 - Grade Level Buried Cable Enclosure

To order complete units (enclosure and cover):

PEM-3036

Enclosure with high density polyethylene lid.

PEM-3048

Enclosure with high density polyethylene lid.

PEM-3060

Enclosure with high density polyethylene lid.



To order various covers:

PL - Plastic lid

PCL - Polymer concrete lid

SPLIT - 2 Piece lid

6 INCH SPACER

PEM-3036-6

PEM-3048-6

PEM-3060-6

(All spacers can be stacked for additional depth)

To order various bases:

3036-GS

3048-GS

3060-GS

Available In the Following Sizes

Part No.	Description	Dimensions in inches (centimeters)			Weight in Lbs. (kilograms)
		Width	Length	Depth	
PEM-3036	Box & Lid	30" (76.2cm)	36" (91.4cm)	24" (61cm)	115 (52.1kg)
PEM-3048	Box & Lid	30" (76.2cm)	48" (121.9cm)	24" (61cm)	140 (63.5kg)
PEM-3060	Box & Lid	30" (76.2cm)	60" (121.9cm)	24" (61cm)	160 (72.5kg)

To order specify:

Standard: (H) Hex Head Bolts

Options: (X) 3/8-16 Penta Head Bolts
 (B) Button Head Bolts

Example: PEM-3036H
 Enclosure with H.D. polyethylene lid and hex head bolts.

Identification: (Electric, CATV, Telephone, Water, Irrigation, Communications)
 Custom logos on request. Contact factory or agent.

This unit is molded of high density polyethylene. The sidewall design prevents frost heaving. Units can be nested for a minimum amount of warehouse storage space. Units are offered in green molded-in color.

Recommendations on the application of our products are based on best available technical data and are offered as a suggestion only. Each user of the material should make his own tests to determine the material's suitability for his own particular use.

Series PEM-36 - Grade Level Buried Cable Enclosure



PEM - 3636



PEM - 3648PC



PEM - 3660

- Widely used in Electric, CATV, Telephone, and Water Industries
- Base made of high density polyethylene structural foam
- Various covers available
- Optional split lid also available
- All stainless steel hardware, including captive bolts
- Rigid enclosure and cover are lightweight and easy to handle
- RUS accepted

Series PEM-36 - Grade Level Buried Cable Enclosure

To order complete units (enclosure and cover):

PEM-3636

Enclosure with high density polyethylene lid

PEM-3648

Enclosure with high density polyethylene lid

PEM-3660

Enclosure with high density polyethylene lid



To order various covers:

PL - Plastic lid

PCL - Polymer concrete lid

SPLIT - 2 Piece lid

6 INCH SPACER

PEM-3636-6

PEM-3648-6

PEM-3660-6

(All spacers can be stacked for additional depth)

To order various bases:

3636 - GS

3648 - GS

3660 - GS

Available In the Following Sizes

Part No.	Description	Dimensions in Inches (centimeters)			Weight In Lbs. (kilograms)
		Width	Length	Depth	
PEM-3636	Box & Lid	36" (91.4cm)	36" (91.4cm)	24" (61cm)	135 (61.2kg)
PEM-3648	Box & Lid	36" (91.4cm)	48" (121.9cm)	24" (61cm)	160 (72.5kg)
PEM-3660	Box & Lid	36" (91.4cm)	60" (121.9cm)	24" (61cm)	185 (83.9kg)

To order specify:

Standard: (H) Hex Head Bolts

Options: (X) 3/8-16 Penta Head Bolts
 (B) Button Head Bolts

Example: PEM-3636H
 Enclosure with H.D. polyethylene lid and hex head bolts.

Identification:(Electric, CATV, Telephone, Water, Irrigation, Communications)
 Custom logos on request. Contact factory or agent.

This unit is molded of high density polyethylene. The sidewall design prevents frost heaving. Units can be nested for a minimum amount of warehouse storage space. Units are offered in green molded-in color.

Recommendations on the application of our products are based on best available technical data and are offered as a suggestion only. Each user of the material should make his own tests to determine the material's suitability for his own particular use.

Series PEMR-1212 - Grade Level Buried Cable Enclosure



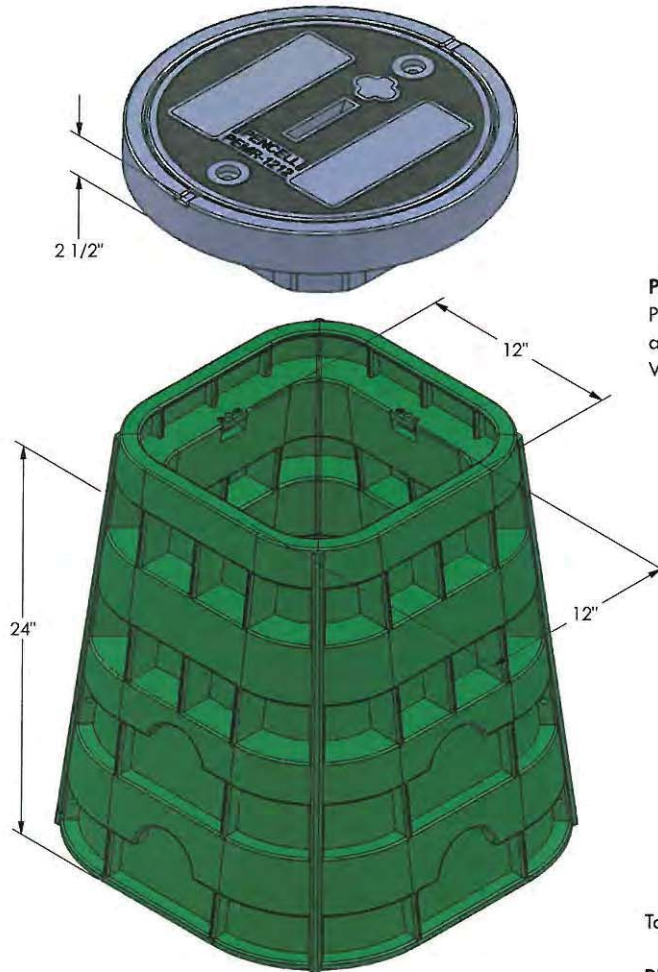
3

- Widely used in Electric, CATV, Fiber Optics, and Water Industries
- Base made of high density polyethylene structural foam
- Available with a green or gray base with a polymer concrete lid and ring
- High strength rigid construction
- Stainless steel lid bolts
- Lighter and easier to handle than concrete
- Reduced installation costs
- RUS accepted
- Tested for compliance with: ANSI/SCTE 77 2010 as specified by N.E.C.
ANSI C57 Enclosure Integrity
- Load Rating 20K

Series PEMR-1212 - Grade Level Buried Cable Enclosure

To order complete units
 (enclosure and covers)

To order individual
 covers and ground
 sleeves:



PEMR-1212
 Enclosures with polymer
 concrete lid and ring

PEMR-1212PCLR
 Polymer concrete lid
 and ring only
 Weight 53 Lbs.

- To Order Identification:**
- (BLA) Blank lid
 - (EWB) Electric Warning
 - (CAT) CATV
 - (TEL) Telephone
 - (WAT) Water
 - (COM) Communications
 - (IRR) Irrigation
 - (FOC) Fiber Optic Cable
 - (STL) Street Lighting

Custom Logos Available

To order Locking Options:
 Standard (H) Hex Head Bolts
 Options: (X) 3/8-16 Penta Head Bolts

Color Options:

Ground sleeves and lids are molded in concrete gray color. Optional custom colors can be arranged through special orders. Contact Pencell for special ordering procedures and pricing.

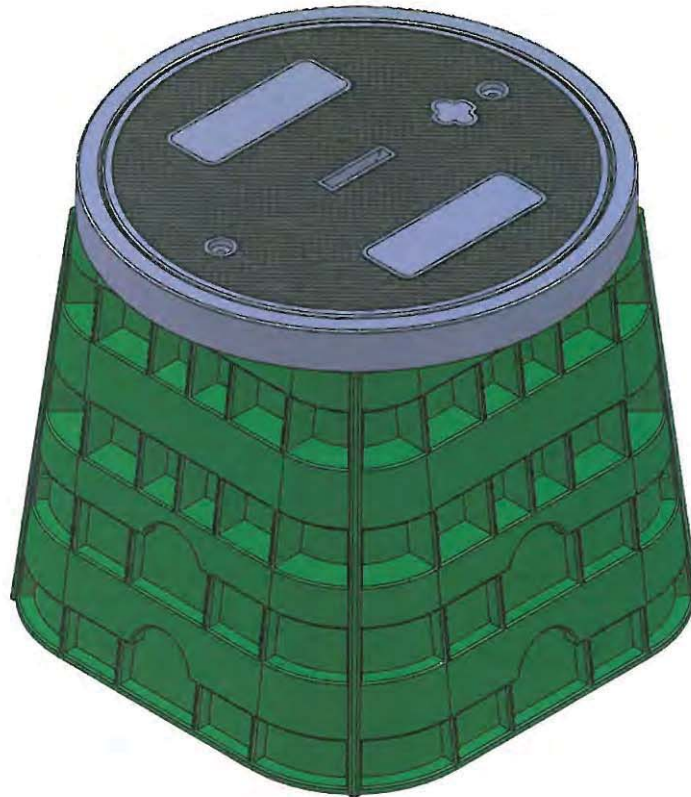
To order ground sleeve:

PEM-1212GS (green)

PEM-1212GS-Y (gray)

Weight 37 Lbs.

Series PEMR-1818 - Grade Level Buried Cable Enclosure



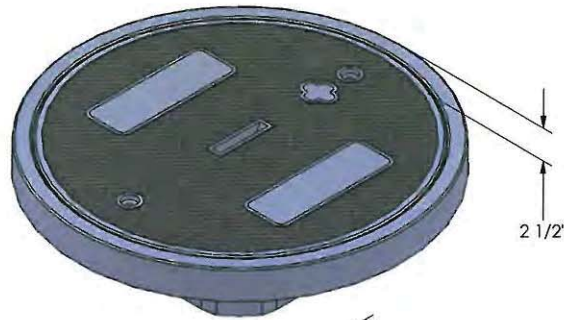
3

- Widely used in Electric, CATV, Fiber Optics, and Water Industries
- Base made of high density polyethylene structural foam
- Available with a green or gray base with a polymer concrete lid and ring
- High strength rigid construction
- Stainless steel lid bolts
- Lighter and easier to handle than concrete
- Reduced installation costs
- RUS accepted
- Tested for compliance with: ANSI/SCTE 77 2010 as specified by N.E.C. ANSI C57 Enclosure Integrity
- Load Rating 20K

Series PEMR-1818 - Grade Level Buried Cable Enclosure

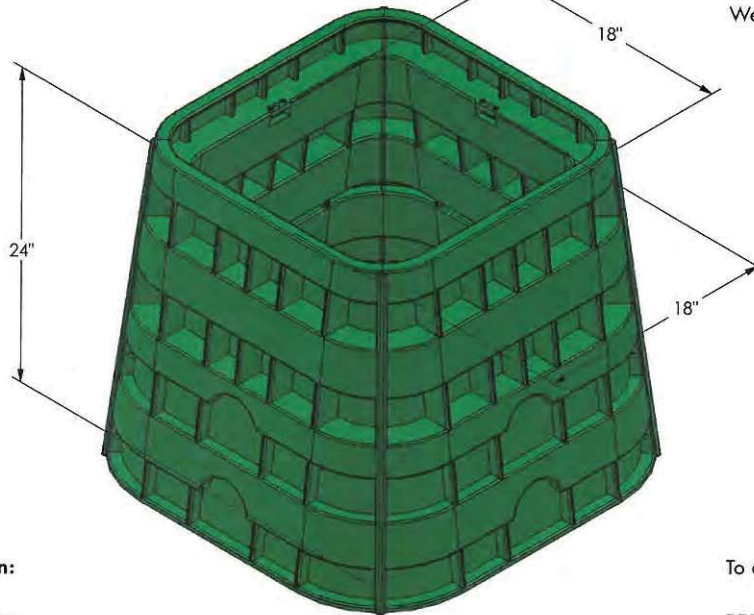
To order complete units
 (enclosure and covers)

To order individual
 covers and ground
 sleeves:



PEMR-1818
 Enclosures with polymer
 concrete lid and ring

PEMR-1818PCLR
 Polymer concrete lid
 and ring only
 Weight 110 Lbs.



- To Order Identification:**
- (BLA) Blank lid
 - (EWB) Electric Warning
 - (CAT) CATV
 - (TEL) Telephone
 - (WAT) Water
 - (COM) Communications
 - (IRR) Irrigation
 - (FOC) Fiber Optic Cable
 - (STL) Street Lighting

Custom Logos Available

- To order Locking Options:**
 Standard (H) Hex Head Bolts
 Options: (X) 3/8-16 Penta Head Bolts

Color Options:

Ground sleeves and lids are molded in concrete gray color. Optional custom colors can be arranged through special orders. Contact Pencell for special ordering procedures and pricing.

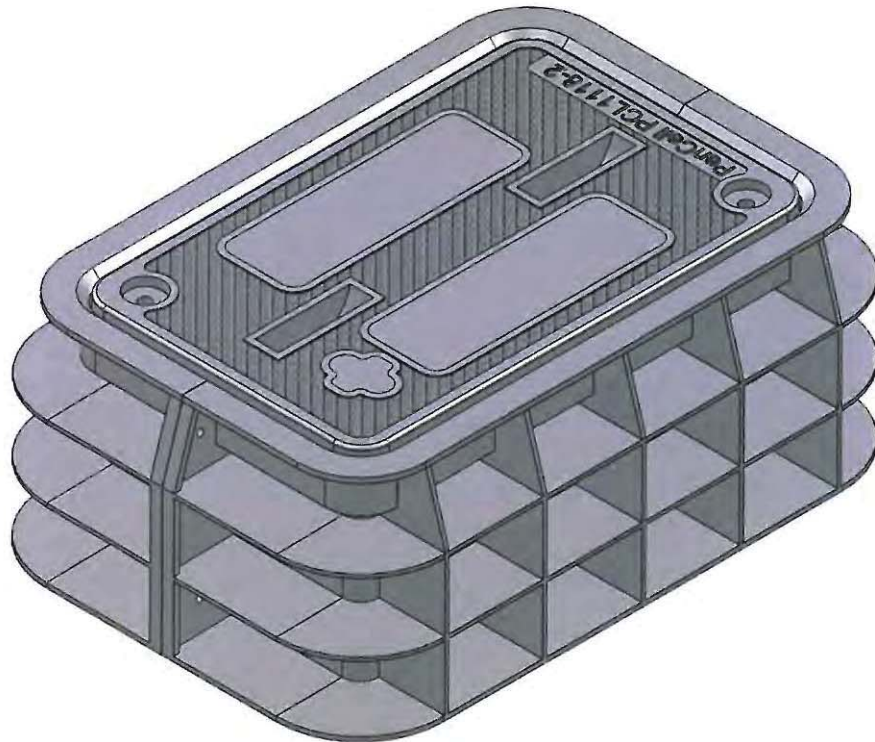
To order ground sleeve:

PEM-1818GS (green)

PEM-1818GS-Y (gray)

Weight 50 Lbs.

Series DT-1118 - Grade Level Buried Cable Enclosure



3

- Widely used in Electric, CATV, Fiber Optics, and Water Industries
- Base made of high density polyethylene structural foam
- Available in green or gray molded in color
- Available with HDPE plastic lid, 2" polymer concrete lid, or 1 1/4" polymer concrete lid and polymer concrete ring
- High strength rigid construction
- Stainless steel hardware
- Lighter and easier to handle than concrete
- RUS accepted
- Tested for compliance with:
 - ANSI/SCTE 77 2010 as specified by N.E.C. ANSI C57 Enclosure Integrity
 - Western Underground Guide 3.6
 - Telcordia GR-902
- Load Rating for units with polymer concrete lid is Tier 15, 20K

Series DT-1118 - Grade Level Buried Cable Enclosure

To order complete units
 (enclosure and covers)

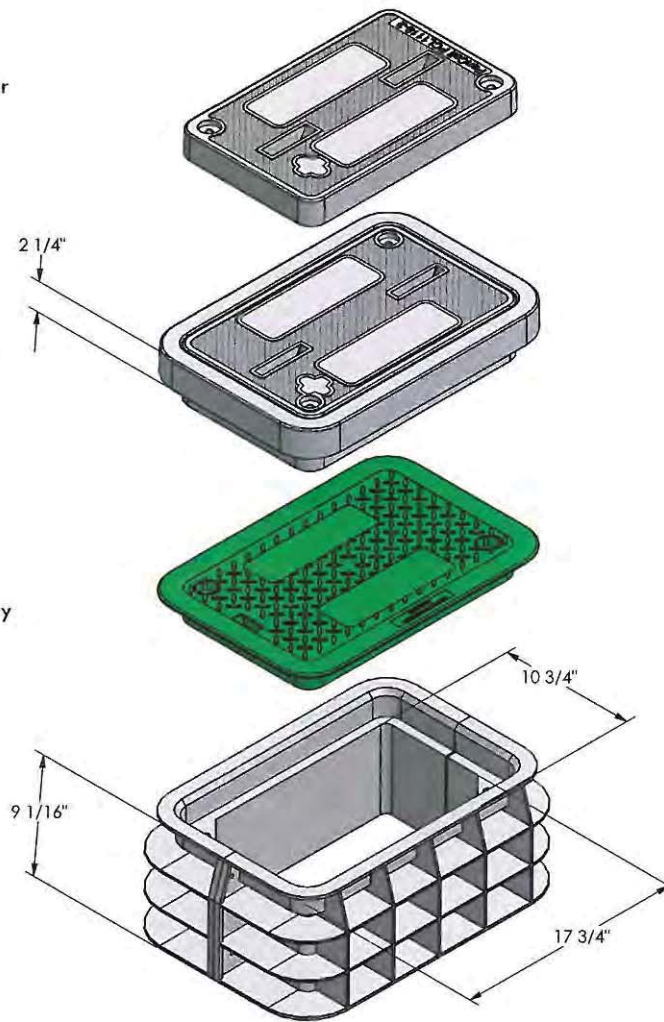
DT-2-1118PC
 Enclosures with 2" polymer
 concrete lid (no ring)

DT-1118PC
 Enclosures with polymer
 concrete lid and polymer
 concrete ring

DT-1118HD
 Enclosures with high density
 polyethylene lid

To Order Identification:
 (BLA) Blank lid
 (EWB) Electric Warning
 (CAT) CATV
 (TEL) Telephone
 (WAT) Water
 (COM) Communications
 (IRR) Irrigation
 (FOC) Fiber Optic Cable
 (STL) Street Lighting

Custom Logos Available



To order Locking Options:
 Standard (H) Hex Head Bolts
 Options: (X) 3/8-16 Penta Head Bolts

Color Options:
 Ground sleeves available in Green or Gray Molded in Color
 Green (standard for HD series) Gray (standard for PC series)

To order individual
 covers and ground
 sleeves:

DT-1118PCL
 2" Polymer concrete lid only
 Weight 33 Lbs.

DT-1118PCLR
 Polymer concrete lid and ring
 Weight 52 Lbs.

DT-1118PL
 HDPE Plastic lid only
 Weight 4.5 Lbs.

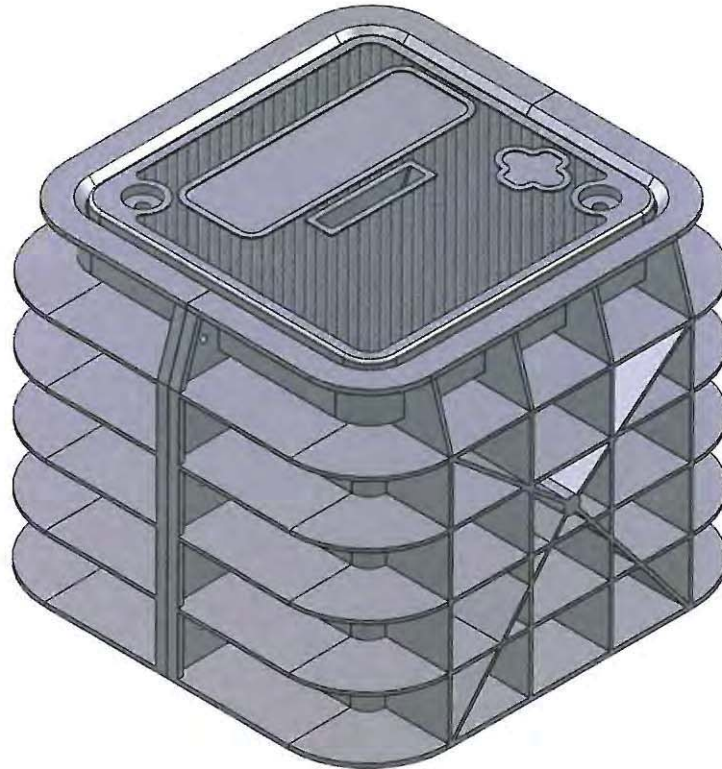
To order various bases:

DT-1118GS (green)

DT-1118GS-Y (gray)

Weight 10 Lbs.

Series DT-1212 - Grade Level Buried Cable Enclosure



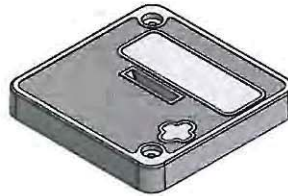
3

- Widely used in Electric, CATV, Fiber Optics, and Water Industries
- Base made of high density polyethylene structural foam
- Available in green or gray molded in color
- Available with HDPE plastic lid, 2" polymer concrete lid, or 1 1/4" polymer concrete lid and polymer concrete ring
- High strength rigid construction
- Stainless steel hardware
- Lighter and easier to handle than concrete
- RUS accepted
- Tested for compliance with:
 - ANSI/SCTE 77 2010 as specified by N.E.C. ANSI C57 Enclosure Integrity
 - Western Underground Guide 3.6
 - Telcordia GR-902
- Load Rating for units with polymer concrete lid is Tier 15, 20K

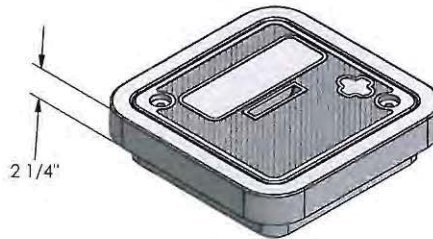
Series DT-1212 - Grade Level Buried Cable Enclosure

To order complete units
(enclosure and covers)

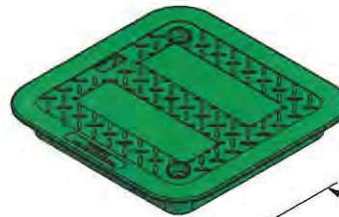
DT-2-1212PC
 Enclosures with 2" polymer
 concrete lid (no ring)



DT-1212PC
 Enclosures with polymer
 concrete lid and polymer
 concrete ring

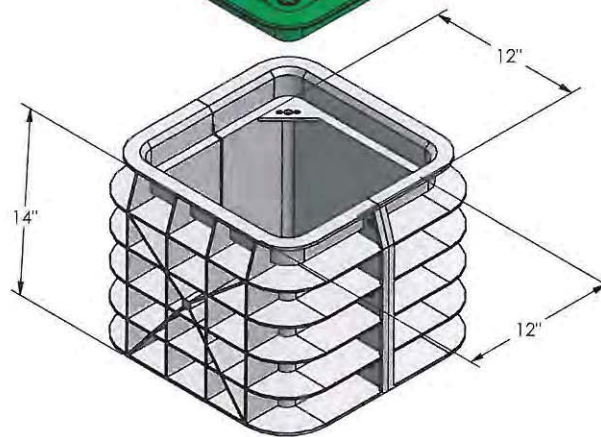


DT-1212HD
 Enclosures with high density
 polyethylene lid



To Order Identification:
 (BLA) Blank lid
 (EWB) Electric Warning
 (CAT) CATV
 (TEL) Telephone
 (WAT) Water
 (COM) Communications
 (IRR) Irrigation
 (FOC) Fiber Optic Cable
 (STL) Street Lighting

Custom Logos Available



To order Locking Options:
 Standard (H) Hex Head Bolts
 Options: (X) 3/8-16 Penta Head Bolts

Color Options:

Ground sleeves available in Green or Gray Molded in Color
 Green (standard for HD series) Gray (standard for PC series)

To order individual
 covers and ground
 sleeves:

DT-1212PCL
 2" Polymer concrete lid only
 Weight 23.5 Lbs.

DT-1212PCLR
 Polymer concrete lid and ring
 Weight 40 Lbs.

DT-1212PL
 HDPE Plastic lid only
 Weight 3.75 Lbs.

To order various bases:

DT-1212GS (green)

DT-1212GS-Y (gray)

Weight 13.5 Lbs.

Series DT-1324 - Grade Level Buried Cable Enclosure



3

- Widely used in Electric, CATV, Fiber Optics, and Water Industries
- Base made of high density polyethylene structural foam
- Available in green or gray molded in color
- Available with HDPE plastic lid, 2" polymer concrete lid, or 1 1/4" polymer concrete lid and polymer concrete ring
- Optional 3" top extensions are available to provide additional depth
- High strength rigid construction
- Stainless steel hardware
- Lighter and easier to handle than concrete
- RUS accepted
- Tested for compliance with:
 - ANSI/SCTE 77 2010 as specified by N.E.C. ANSI C57 Enclosure Integrity
 - Western Underground Guide 3.6
 - Telcordia GR-902
- Load Rating for units with polymer concrete lid is Tier 15, 20K

Series DT-1324 - Grade Level Buried Cable Enclosure

To order complete units
(enclosure and covers)

DT-2-1324PC
 Enclosures with 2" polymer
 concrete lid (no ring)

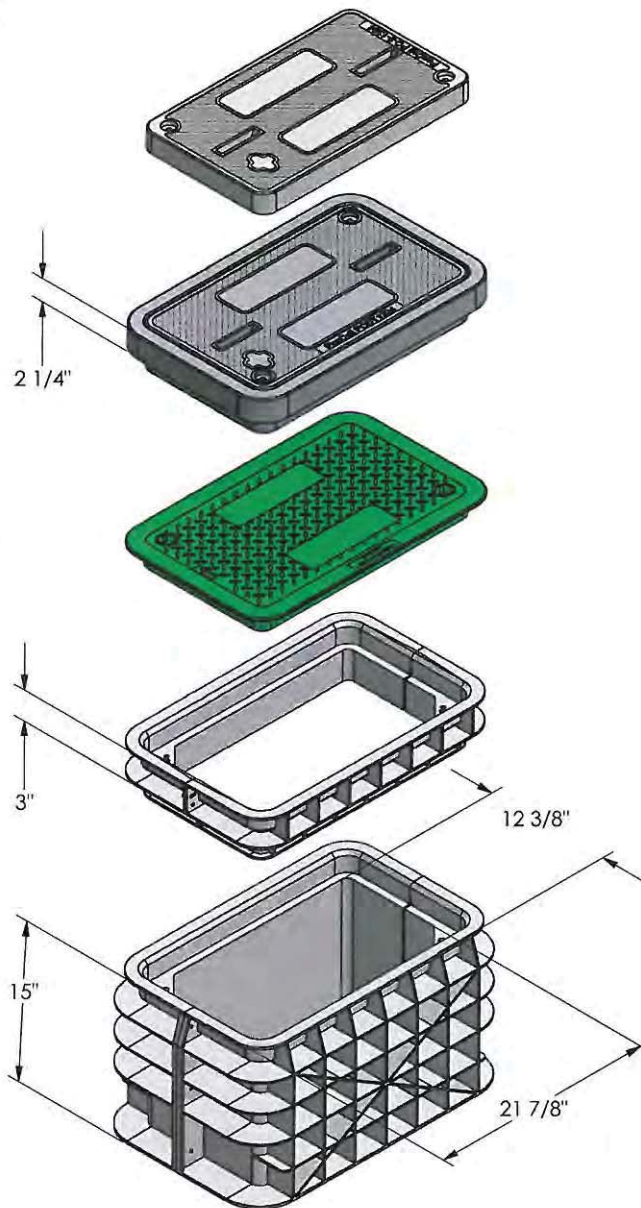
DT-1324PC
 Enclosures with polymer
 concrete lid and polymer
 concrete ring

DT-1324HD
 Enclosures with high density
 polyethylene lid

TOP EXTENSIONS
 Extensions are available
 for all three lid options.
 Call for specifics and part
 numbers.

To Order Identification:
 (BLA) Blank lid
 (EWB) Electric Warning
 (CAT) CATV
 (TEL) Telephone
 (WAT) Water
 (COM) Communications
 (IRR) Irrigation
 (FOC) Fiber Optic Cable
 (STL) Street Lighting

Custom Logos Available



To order individual
 covers and ground
 sleeves:

DT-1324PCL
 2" Polymer concrete lid only
 Weight 43 Lbs.

DT-1324PCLR
 Polymer concrete lid and ring
 Weight 65 Lbs.

DT-1324PL
 HDPE Plastic lid only
 Weight 6 Lbs.

DT-1324-3EXT
 3" Plastic Top Extension
 Weight 5 Lbs.

To order various bases:

DT-1324GS (green)

DT-1324GS-Y (gray)

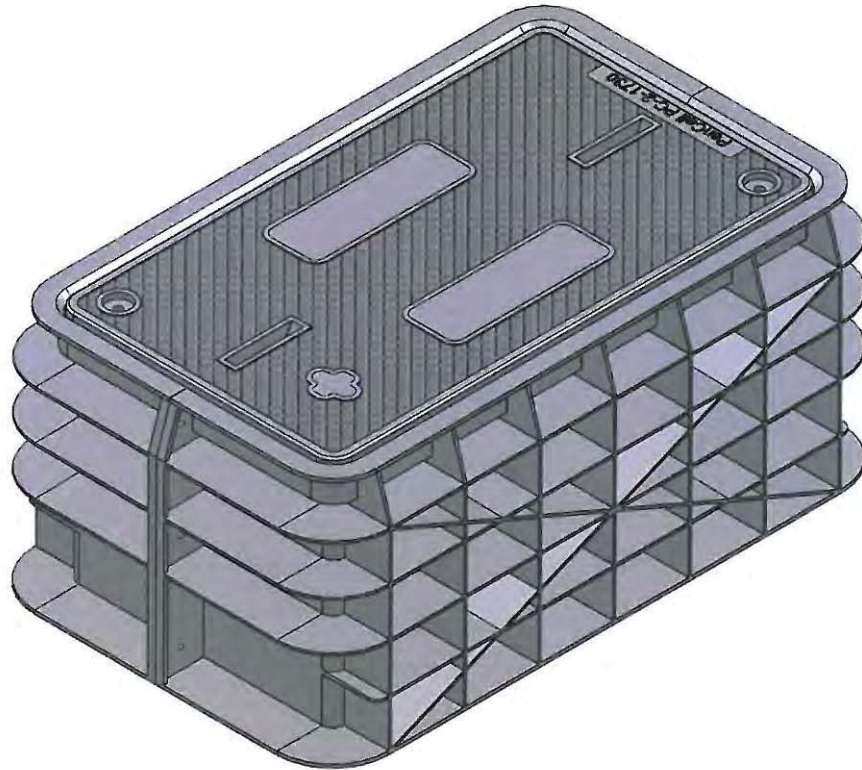
Weight 20 Lbs.

To order Locking Options:
 Standard (H) Hex Head Bolts
 Options: (X) 3/8-16 Penta Head Bolts

Color Options:
 Ground sleeves available in Green or Gray Molded in Color
 Green (standard for HD series) Gray (standard for PC series)

3

Series DT-1730 - Grade Level Buried Cable Enclosure



3

- Widely used in Electric, CATV, Fiber Optics, and Water Industries
- Base made of high density polyethylene structural foam
- Available in green or gray molded in color
- Available with HDPE plastic lid, 2" polymer concrete lid, or 1 1/4" polymer concrete lid and polymer concrete ring
- Optional 3" top extensions are available to provide additional depth
- High strength rigid construction
- Stainless steel hardware
- Lighter and easier to handle than concrete
- RUS accepted
- Tested for compliance with:
 - ANSI/SCTE 77 2010 as specified by N.E.C. ANSI C57 Enclosure Integrity
 - Western Underground Guide 3.6
 - Telcordia GR-902
- Load Rating for units with polymer concrete lid is Tier 15, 20K

Series DT-1730 - Grade Level Buried Cable Enclosure

To order complete units
(enclosure and covers)

DT-2-1730PC
 Enclosures with 2" polymer
 concrete lid (no ring)

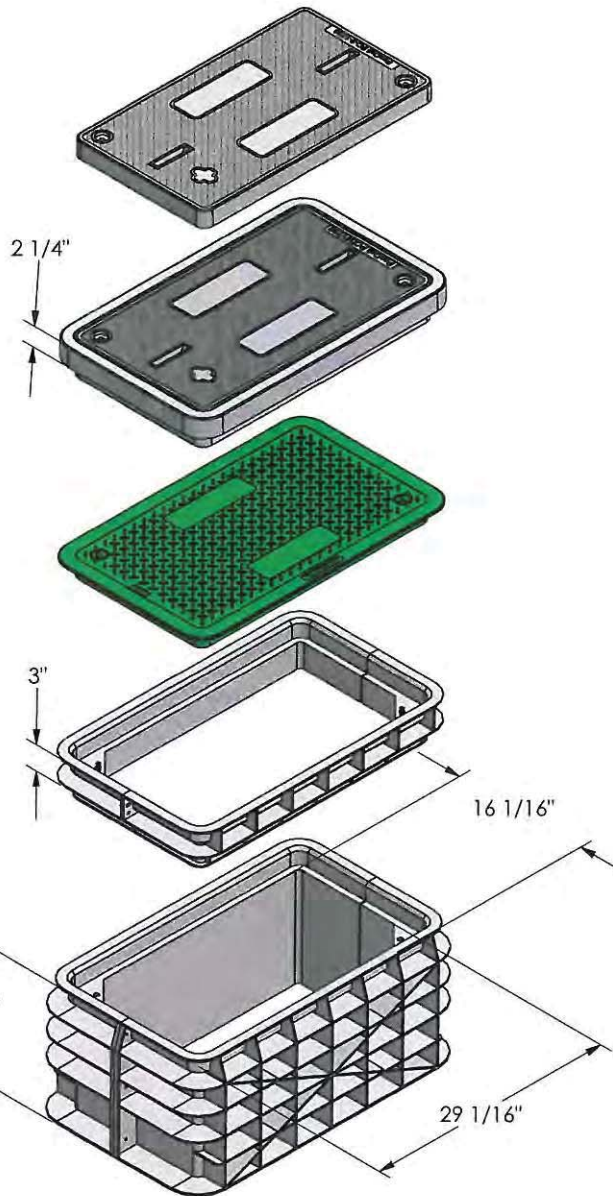
DT-1730PC
 Enclosures with polymer
 concrete lid and polymer
 concrete ring

DT-1730HD
 Enclosures with high density
 polyethylene lid

TOP EXTENSIONS
 Extensions are available
 for all three lid options.
 Call for specifics and part
 numbers.

To Order Identification:
 (BLA) Blank lid
 (EWB) Electric Warning
 (CAT) CATV
 (TEL) Telephone
 (WAT) Water
 (COM) Communications
 (IRR) Irrigation
 (FOC) Fiber Optic Cable
 (STL) Street Lighting

Custom Logos Available



To order individual
 covers and ground
 sleeves:

DT-1730PCL
 2" Polymer concrete lid only
 Weight 77 Lbs.

DT-1730PCLR
 Polymer concrete lid and ring
 Weight 98 Lbs.

DT-1730PL
 HDPE Plastic lid only
 Weight 10 Lbs.

DT-1730-3EXT
 3" Plastic Top Extension
 Weight 6 Lbs.

To order various bases:

DT-1730GS (green)

DT-1730GS-Y (gray)

Weight 25 Lbs.

To order Locking Options:
 Standard (H) Hex Head Bolts
 Options: (X) 3/8-16 Penta Head Bolts

Color Options:
 Ground sleeves available in Green or Gray Molded in Color
 Green (standard for HD series) Gray (standard for PC series)

3

Series DT-2436 - Grade Level Buried Cable Enclosure



3

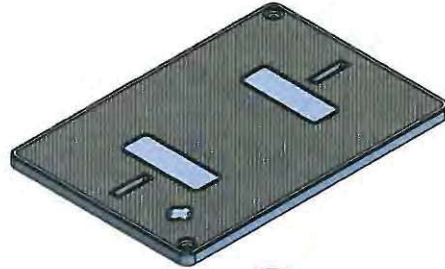
- Widely used in Electric, CATV, Fiber Optics, and Water Industries
- Base made of high density polyethylene structural foam
- Available in green or gray molded in color
- Available with HDPE plastic lid, or 2" polymer concrete lid
- High strength rigid construction
- Stainless steel hardware
- Lighter and easier to handle than concrete
- RUS accepted
- Tested for compliance with:
 - ANSI/SCTE 77 2010 as specified by N.E.C. ANSI C57 Enclosure Integrity
 - Western Underground Guide 3.6
 - Telcordia GR-902
- Load Rating for units with polymer concrete lid is Tier 15, 20K

Series DT-2436 - Grade Level Buried Cable Enclosure

To order complete units
 (enclosure and covers)

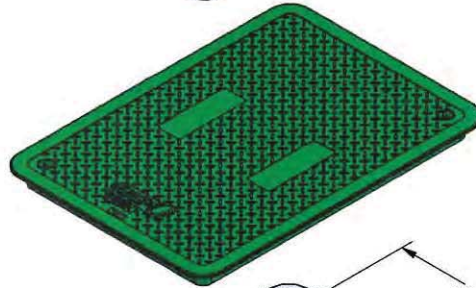
To order individual
 covers and ground
 sleeves:

DT-2-2436PC
 Enclosures with 2" polymer
 concrete lid (no ring)

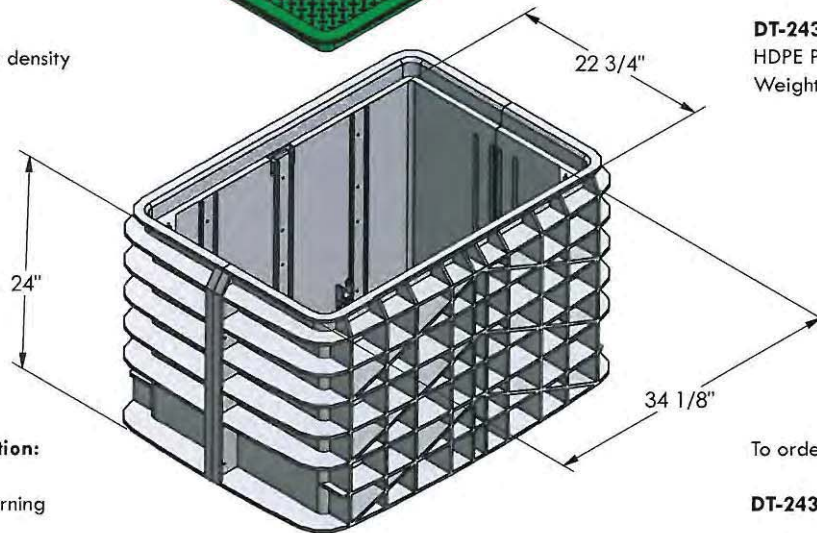


DT-2436PCL
 2" Polymer concrete lid only
 Weight 117 Lbs.

DT-2436HD
 Enclosures with high density
 polyethylene lid



DT-2436PL
 HDPE Plastic lid only
 Weight 18 Lbs.



To Order Identification:
 (BLA) Blank lid
 (EWB) Electric Warning
 (CAT) CATV
 (TEL) Telephone
 (WAT) Water
 (COM) Communications
 (IRR) Irrigation
 (FOC) Fiber Optic Cable
 (STL) Street Lighting

Custom Logos Available

To order various bases:

DT-2436GS (green)

DT-2436GS-Y (gray)

Weight 63 Lbs.

To order Locking Options:
 Standard (H) Hex Head Bolts
 Options: (X) 3/8-16 Penta Head Bolts

Color Options:
 Ground sleeves available in Green or Gray Molded in Color
 Green (standard for HD series) Gray (standard for PC series)

3



800-257-9448 // 252-467-2210
pencell.com // info@pencell.com
P.O. Box 8317 Rocky Mount, NC 27804

4. Above Ground Pedestals

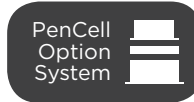
4



Series AG-14 - Above Grade Pedestal



- Meets requirements of Electric, CATV, and Telephone Service
- Made of high density polyethylene structural foam
- Various covers available
- All stainless steel hardware, including captive bolt
- Rigid base and pedestal weigh only 16 lbs. (7.25 kg)
- Excellent environmental resistance
- Unit forms bell jar if flooding should occur



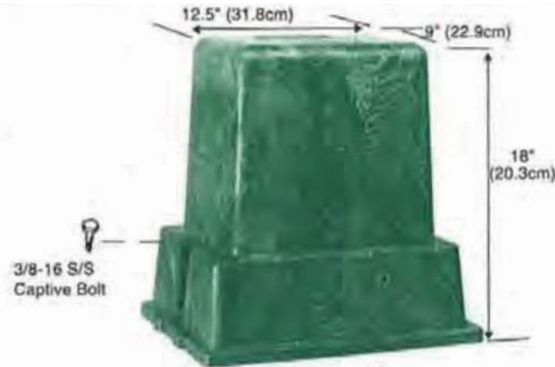
Series AG-14 - Above Grade Pedestal

To order complete units:

AG-14HD

Pedestal with high density polyethylene base

NL



To order separate parts:

AG-14-T

Pedestal (upper section only to be used with existing box).

PE-14-GS

High density polyethylene pedestal base

PE-14-5

5 inch extension

To order specify:

Standard: (X) 3/8 - 16 Penta Head Bolt.

- Options:**
- (H) Hex Head Bolt.
 - (B) Button Head Bolt (Allen type).
 - (CL) Crimp type lock only.
 - (XCL) Double locking device to be used with above bolts and a crimp type lock.
 - (5) 5" lower extension.
 - (NL) New Lock.
 - (G) Ground Lug

Example: AG-14HDXCL-5
 Base with pedestal, penta head bolt, plus hardware to accept crimp type lock & 5" extension.

Identification: (Electric, CATV, Telephone, Water Irrigation, Communications)
 Custom logos on request. Contact factory or agent.

Rectangular shape of this enclosure provides maximum usable working area.
 Withstands high impact at low temperatures.

Reinforcing ribs are designed into the enclosure to withstand backfill operations. Flange around base prevents frost heaving or tilting. Units can be nested 60% for a minimum amount of warehouse storage space. If additional depth is required the unit can be supplied with an optional 5 inch extension added to the bottom.

The cover is secured to the base with one captive penta head bolt (standard unless otherwise specified). Units are offered in the color green. Service identification (one-inch letters) is molded into cover; company name or logo may also be included upon request. Units are shipped fourteen to a pallet for easy handling and storage.

Recommendations on the application of our products are based on best available technical data and are offered as a suggestion only. Each user of the material should make his own tests to determine the material's suitability for his own particular use.



Series AGNS-14 - Above Grade Pedestal

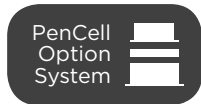


AGNS - 14LP



AGNS - 14HP

- Meets requirements of Electric, CATV, and Telephone Service
- Made of high density polyethylene structural foam
- Various covers available
- All stainless steel hardware, including captive bolt
- Rigid base and pedestal weigh only 16 lbs. (7.25 kg)
- Excellent environmental resistance
- Unit forms bell jar if flooding should occur



Series AGNS-14 - Above Grade Pedestal

To order complete units:



AGNS-14LP
 12" pedestal with high density polyethylene base



AGNS-14HP
 18" pedestal with high density polyethylene base
 Pedestal with high density polyethylene base & 18" pedestal



AG-14-A
 Adaptor between box & pedestal



PE-14-GS
 High density polyethylene pedestal base



PE-14-5
 5 inch extension

To order separate parts:



AGNS-14LPT
 12" Top



AGNS-14HPT
 18" Top

To order specify:

Standard: 3/8 - 16 Penta Head Bolts and Secondary Lock

Options: (L 350) 3 350 MCM connectors
 (L500) 3 500 MCM connectors
 (H) Hex Head Bolts

Example: **AGNS-14LP5**
 Base with pedestal, penta head bolt, plus hardware to accept crimp type lock & 5" extension.

Identification: (Electric, CATV, Telephone, Water Irrigation, Communications)
 Custom logos on request. Contact factory or agent.

Rectangular shape of this enclosure provides maximum usable working area.
 Withstands high impact at low temperatures.

Reinforcing ribs are designed into the enclosure to withstand backfill operations. Flange around base prevents frost heaving or tilting. Units can be nested 60% for a minimum amount of warehouse storage space. If additional depth is required the unit can be supplied with an optional 5 inch extension added to the bottom.

The cover is secured to the base with one captive penta head bolt (standard unless otherwise specified). Units are offered in the color green. Service identification (one-inch letters) is molded into cover; company name or logo may also be included upon request. Units are shipped fourteen to a pallet for easy handling and storage.

Recommendations on the application of our products are based on best available technical data and are offered as a suggestion only. Each user of the material should make his own tests to determine the material's suitability for his own particular use.

4



Series AG-15 - Secondary Pedestal



4

- Double locking device
- LDPE top and HDPE base
- Injection molded for consistency
- Molded-in identification
- Opening size 11"x14"
- Available with or without connectors
- Sizes 350 or 500 MCM
- Temporary service access door

Series AG-15 - Secondary Pedestal

To order complete units:

AG-15

Pedestal base and cover with no connectors, standard Penta Head Bolt and Secondary lock provision.



To order separate parts:

AG-15T- Pedestal (upper section only)

AG-15GS- Lower base with temporary service door.



To order specify:

Standard: 3/8-16 Penta Head Bolts and Secondary Lock

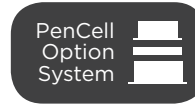
Options: (L350) 3 350 MCM connectors
 (L500) 3 500 MCM connectors
 (H) Hex Head Bolts

Example: AG-15L350
 Base with pedestal, Penta Head Bolt and 3 350 MCM connectors.

Identification: (Electric, telephone, CATV) Custom logo's on request, Contact factory or agent.

The pedestal comes standard with a double locking device. For part consistency they are manufactured by the structural foam process with color and U.V. additive through out the part. The top is injection molded using a copolymer of high and low-density polyethylene for high impact. The base is molded of H.D.P.E. for strength. Unit comes standard with a temp service door. MCM connectors of various sizes can be shipped installed in the unit. Standard color is Pencell green.

Recommendations on the application of our products are based on best available technical data and are offered as a suggestion only. Each user of the material should make his own tests to determine the material's suitability for his own particular use.

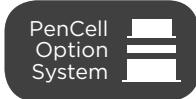


Series AG-18 - Above Grade Pedestal



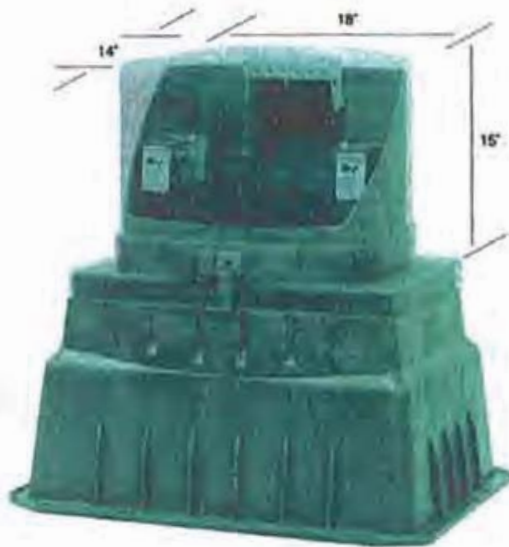
4

- Meets requirements of Electric, CATV, and Telephone Service
- Made of high density polyethylene structural foam
- Various covers available
- All stainless steel hardware, including captive bolt
- Rigid base and pedestal weigh only 30 lbs. (13.6 kg)
- Excellent environmental resistance
- Unit forms bell jar if flooding should occur
- Temporary service access doors available



Series AG-18 - Above Grade Pedestal

To Order Complete Units:



AG-18

Pedestal base and cover with no connectors, standard Penta Head Bolt and Secondary Lock provision. Picture shows pedestal with optional connectors.

To Order Separate Parts:



AG-18T
15" Top



AG-18A
Adapter between box and pedestal



PE-20GS

High density pedestal base

Rectangular shape of this enclosure provides maximum usable working area.

Withstands high impact at low temperatures.

Reinforcing ribs are designed into the enclosure to withstand backfill operations. Flange around base prevents frost heaving or tilting. Units can be nested 60% for a minimum amount of warehouse storage space.

The cover is secured to the base with one captive penta head bolt (standard unless otherwise specified). Units are offered in the color green. Service Identification (one) inch letters are molded into the cover; company name or logo may also be included upon request. Units are shipped twelve to a pallet for easy handling and storage.

Recommendations on the application of our products are based on best available technical data and are offered as a suggestion only. Each user of the material should make his own tests to determine the material's suitability for his particular use.

To order specify:

Standard: 3/8 - 16 Penta Head Bolts and Secondary Lock

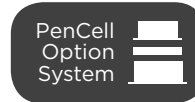
Options: (L 350) 3 350 MCM connectors
 (L 500) 3 500 MCM connectors
 (LA 350) 3 350 Lay in connectors)
 (H) Hex Head Bolts

Example: AG18

Base with pedestal, penta head bolt, plus hardware to accept crimp type lock

Identification: (Electric, CATV, Telephone, Water, Irrigation and Communications)
 Custom logos on request. Contact factory or agent.

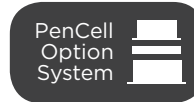




Series AG-20 - Above Grade Pedestal



- Meets requirements of Electric, CATV, and Telephone Service
- Made of high density polyethylene structural foam
- Various covers available
- All stainless steel hardware, including captive bolt
- Rigid base and pedestal weigh only 26 lbs. (11.7 kg)
- Excellent environmental resistance
- Unit forms bell jar if flooding should occur

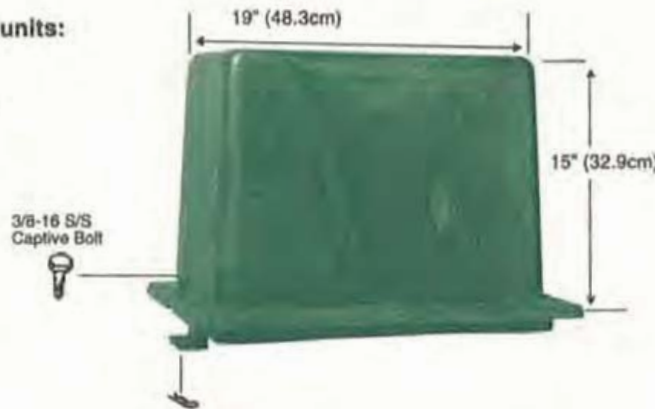


Series AG-20 - Above Grade Pedestal

To order complete units:

AG-20HD

Pedestal with H. D. polyethylene base.



To order separate parts:

AG-20-T

Pedestal (upper section only to be used with existing box)

PE-20-GS

High density polyethylene pedestal base



To order specify:

Standard: (X) 3/8-16 Penta Head Bolt

Options: (H) Hex Head Bolt

(B) Button Head Bolt (Allen type)

(CL) Crimp type lock only.

(XCL) Double locking device to be used with above bolts and a crimp type lock.

Example: AG-20-HD-XCL
 Base with pedestal, penta head bolt, plus hardware to accept crimp type lock.

Identification: (Electric, CATV, Telephone, Water, Irrigation, Communications)
 Custom logos on request. Contact factory or agent.

The pedestal and covers are interchangeable. Environmental resistance is excellent. Flange around base prevents frost heaving or tilting. The pedestal is secured to the base with one captive penta head bolt (standard unless otherwise specified) on the other. Units are offered in a green molded-in color. Service identification (one-inch letters) is molded into top; company name or logo may also be included upon request.

Recommendations on the application of our products are based on best available technical data and are offered as a suggestion only. Each user of the material should make his own tests to determine the material's suitability for his own particular use.



Series AGNS-20 - Above Grade Pedestal

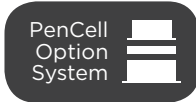


AGNS - 20LP



AGNS - 20HP

- Meets requirements of Electric, CATV, and Telephone Service
- Made of high density polyethylene structural foam
- Various covers available
- All stainless steel hardware, including captive bolt
- Excellent environmental resistance
- Unit forms bell jar if flooding should occur
- Temporary access service doors available



Series AGNS-20 - Above Grade Pedestal

To Order Complete Units:



AGNS-20LP
 12" pedestal with high density polyethylene base
Picture shows pedestal with optional connectors.



AGNS-20HP
 18" pedestal with high density polyethylene base
Picture shows pedestal with optional connectors.

To Order Separate Parts:



AGNS-20A
 Adapter between box & pedestal
Picture shows optional connectors.



AGNS-20LPT
 12" Top (Low Profile Top)



PE-20GS
 H.D.P.E Base



AGNS-20HPT
 18" Top (High Profile Top)

To order specify:

Standard: 3/8 – 16 Penta Head Bolts and Secondary Lock

Options: (L 350) 3 350 MCM connectors
 (L 500) 3 500 MCM connectors
 (LA 350) 3 350 Lay in connectors)
 (H) Hex Head Bolts

Example: AGNS-20LPL350
 Base with 12" pedestal, penta head bolt, 3 - 350 MCM connectors plus hardware to accept crimp type lock

Identification: (Electric, CATV, Telephone, Water, Irrigation and Communications)
 Custom logos on request. Contact factory or agent.

Rectangular shape of this enclosure provides maximum usable working area.

Withstands high impact at low temperatures.

Reinforcing ribs are designed into the enclosure to withstand backfill operations. Flange around base prevents frost heaving or tilting. Units can be nested 60% for a minimum amount of warehouse storage space.

The cover is secured to the base with one captive penta head bolt (standard unless otherwise specified). Units are offered in the color green. Service Identification (one) inch letters are molded into the cover; company name or logo may also be included upon request. Units are shipped twelve to a pallet for easy handling and storage.

Recommendations on the application of our products are based on best available technical data and are offered as a suggestion only. Each user of the material should make his own tests to determine the material's suitability for his particular use.



Series AGVNS-88-15 - Above Grade Pedestal



4

- Meets requirements of Electric, CATV, and Communications Service
- Base is HDPE structural foam and pedestal is LDPE rotomolding
- Various colors available
- All stainless steel hardware
- Excellent environmental resistance
- Venting available
- Various mounting brackets available

Series AGVNS-88-15 - Above Grade Pedestal

To Order Complete Unit:



Inside View

AGVNS-88-15

Complete unit
 HD Base & LD
 Roto molded top
 plus brackets

To Order As Separate Units:



AGVNS-88-15-T

Pedestal
 (upper section
 only to be used
 with existing box)

CATV Applications Tap or Mini Tap



PE-88-GS

High density
 polyethylene
 pedestal base

To order specify:

Standard:	Locks:	Colors:
Options:	(H) Hex Head Bolt	P-1 - Light Green
	(HS) Hasp	P-2 - Medium Green
	(DS) Diversified	P-3 - Dark Green
	(HF) Highfield	*Custom colors also
	(PA) Pin Allen	available
	(SM) Sems Lock	

Example: AGVNS-8815-P-1-HS
 Base 12", Pedestal Top 15", light green in color
 plus hasp type lock.

Identification: (Electric, CATV, Telephone and
 Communications)

Environmental resistance is excellent. Flange around base prevents frost heaving or tilting. The pedestal is secured to the base with various locking options. Units are offered in a variety of molded-in colors. Service identification is molded into side; company name or logo may also be included upon request.

Recommendations on the application of our products are based on best available technical data and are offered as a suggestion only. Each user of the material should make his own tests to determine the material's suitability for his own particular use.

Series AGVNS-1010-20 - Above Grade Pedestal



4

- Meets requirements of Electric, CATV, and Communications Service
- Base is HDPE structural foam and pedestal is LDPE rotomolding
- Various colors available
- All stainless steel hardware
- Excellent environmental resistance
- Venting available
- Various mounting brackets available

Series AGVNS-1010-20 - Above Grade Pedestal

To Order Complete Unit:

AGVNS-101020



Inside View

AGVNS-1010-20

Complete unit
 HD Base & LD
 Roto molded top
 plus brackets

To Order As Separate Units:

CATV Applications Tap/Splitter

PE-1010-GS
 Base



AGVNS-1010-20-T

Pedestal
 (upper section
 only to be used
 with existing box)



PE-1010-GS

High density
 polyethylene
 pedestal base

To order specify:

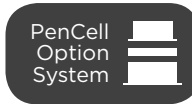
Standard:	Locks:	Colors:
Options:	(H) Hex Head Bolt	P-1 - Light Green
	(HS) Hasp	P-2 - Medium Green
	(DS) Diversified	P-3 - Dark Green
	(HF) Highfield	*Custom colors also
	(PA) Pin Allen	available
	(SM) Sems Lock	

Example: AGVNS-1010-20-P-1-HS
 Base 12", Pedestal Top 20", light green in color
 plus hasp type lock.

Identification: (Electric, CATV, Telephone and
 Communications)

Environmental resistance is excellent. Flange around base prevents frost heaving or tilting. The pedestal is secured to the base with various locking options. Units are offered in a variety of molded-in colors. Service identification is molded into side; company name or logo may also be included upon request.

Recommendations on the application of our products are based on best available technical data and are offered as a suggestion only. Each user of the material should make his own tests to determine the material's suitability for his own particular use.



Series AGVNS-1212-30 - Above Grade Pedestal



4

- Meets requirements of Electric, CATV, and Communications Service
- Base is HDPE structural foam and pedestal is LDPE rotomolding
- Various colors available
- All stainless steel hardware
- Excellent environmental resistance
- Venting available
- Various mounting brackets available

Series AGVNS-1212-30 - Above Grade Pedestal

To Order Complete Unit:

AGVNS-121230



Inside View

AGVNS-121230

Complete unit
 HD Base & LD
 Roto molded top
 plus brackets

To Order As Separate Units:

CATV Applications
 Splitter
 PE-1212-GS
 Base



AGVNS-121230-T

Pedestal
 (upper section
 only to be used
 with existing box)

PE-1212-GS

High density
 polyethylene
 pedestal base

To order specify:

Standard: (H) Hex Head Bolt
Options: (HS) Hasp
 (DS) Diversified
 (HF) Highfield
 (PA) Pin Allen
 (SM) Sems Lock

Colors: P-1 - Light Green
 P-2 - Medium Green
 P-3 - Dark Green
 *Custom colors also
 available

Example: AGNSV-121230-P-1-HS
 Base 12", Pedestal Top 30", light green in color
 plus hasp type lock.

Identification: (Electric, CATV, Telephone and
 Communications)

Environmental resistance is excellent. Flange around base prevents frost heaving or tilting. The pedestal is secured to the base with various locking options. Units are offered in a variety of molded-in colors. Service identification is molded into side; company name or logo may also be included upon request.

Recommendations on the application of our products are based on best available technical data and are offered as a suggestion only. Each user of the material should make his own tests to determine the material's suitability for his own particular use.

4

Series AGLPNS-123018 - Above Grade Pedestal



- Meets requirements of Electric, CATV, and Communications Service
- Base is HDPE structural foam and pedestal is LDPE rotomolding
- Various colors available
- All stainless steel hardware
- Excellent environmental resistance
- Venting available
- Various mounting brackets available

Series AGLPNS-123018 - Above Grade Pedestal

To Order As Complete Unit: **AGLPNS-123018**

Pedestal with H.D., Polyethylene base.



To Order As Separate Units:

CATV Applications
 Line Extender

AGLPNS-1230-T

upper section only
 (to be used with
 existing base)

PEM-1230-GS

High density
 polyethylene
 pedestal base

To order specify:

Standard: (H) Hex Head Bolt
Options: (HS) Hasp
 (DS) Diversified
 (HF) Highfield
 (PA) Pin Allen
 (SM) Sems Lock

Colors: P-1 - Light Green
 P-2 - Medium Green
 P-3 - Dark Green
 * Custom colors also
 available

Example: AGLPNS-123018-P-1-HS
 Base with pedestal, 18" high, light green in color
 plus hasp type lock.

Identification: (Electric, CATV, Telephone and Communications)

Environmental resistance is excellent. Flange around base prevents frost heaving or tilting. The pedestal is secured to the base with various locking options. Units are offered in a variety of molded-in colors. Service identification is molded into top; company name or logo may also be included upon request.

Recommendations on the application of our products are based on best available technical data and are offered as a suggestion only. Each user of the material should make his own tests to determine the material's suitability for his particular use.

Series AGLPNS-183218 - Above Grade Pedestal



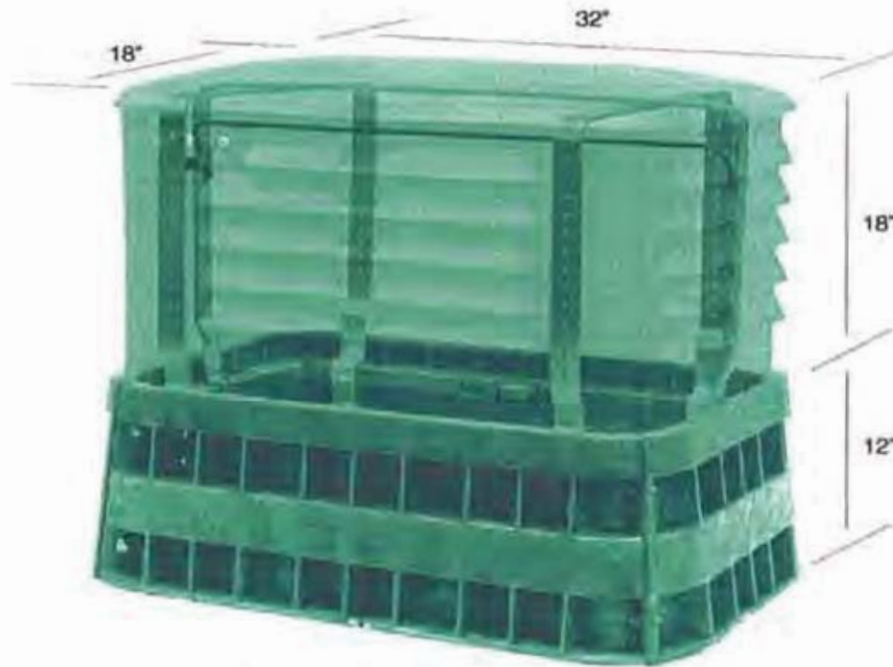
4

- Meets requirements of Electric, CATV, and Communications Service
- Base is HDPE structural foam and pedestal is LDPE rotomolding
- Various colors available
- All stainless steel hardware
- Excellent environmental resistance
- Venting available
- Various mounting brackets available

Series AGLPNS-183218 - Above Grade Pedestal

To Order As Complete Unit: **AGLPNS-183218**

Pedestal with H.D., Polyethylene base.



To Order As Separate Units:

CATV Applications
 Dual Amp

AGLPNS-1832-T

upper section only
 (to be used with
 existing base)

PEM-1832-GS

High density polyethylene
 pedestal base

Base can be provided up to
 24" in Depth (See options)

To order specify:

Standard: (H) Hex Head Bolt
Options: (HS) Hasp
 (DS) Diversified
 (HF) Highfield
 (PA) Pin Allen
 (SM) Sems Lock

Colors: P-1 - Light Green
 P-2 - Medium Green
 P-3 - Dark Green
 * Custom colors also
 available

Base: 12" standard:
 B - 18 - 18" Depth
 B - 24 - 24" Depth

Environmental resistance is excellent. Flange around base prevents frost heaving or tilting. The pedestal is secured to the base with various locking options. Units are offered in a variety of molded-in colors. Service identification is molded into top; company name or logo may also be included upon request.

Recommendations on the application of our products are based on best available technical data and are offered as a suggestion only. Each user of the material should make his own tests to determine the material's suitability for his particular use.

Example: AGLPNS-183218-P-1-HS
 Base with pedestal, 18" high, light green in color
 plus hasp type lock.

Identification: (Electric, CATV, Telephone and Communications)

4



800-257-9448 // 252-467-2210
pencell.com // info@pencell.com
P.O. Box 8317 Rocky Mount, NC 27804

5. Transformer Pads



5



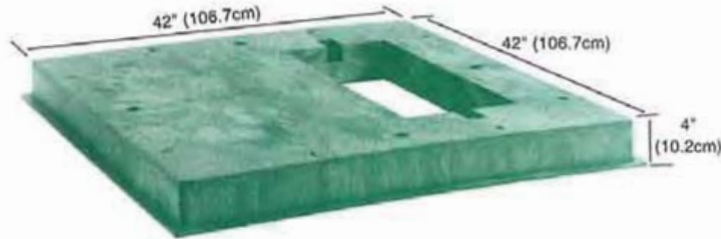
Series TP - Transformer Pad



5

- Molded of strong, high density, polyethylene structural foam
- Available in green or black
- Various cable openings available
- Optional sleeves to mount under pad
- Rigid pad weighs only 45 lbs. (20.4 kg)
- Stackable for easy handling and storage

Series TP - Transformer Pad



Part No.	Cable Opening	Transformer Pad Size	Weight in Lbs. (kilograms)
TP-4220	12X20 (30.4cm x 50.8cm)	42X42 (106.7cm)	45 (20.4kg)
TP-4224	12X24 (30.4cm x 60.9cm)	42X42 (106.7cm)	45 (20.4kg)
TP-4227	12X27 (30.4cm x 68.5cm)	42X42 (106.7cm)	45 (20.4kg)

PEM-3636
 Pad mounts to PEM-3636 or PEM-2436
 when being used as a Box Pad (BP).

5

Transformer Pad Options

TPS (Transformer Pad Sleeve)

Pad sits over TPS allowing for slack cable.



TPS - 20



TPS - 30



800-257-9448 // 252-467-2210
pencell.com // info@pencell.com
P.O. Box 8317 Rocky Mount, NC 27804

6. Looping Pedestals & Fiber Optic Accumulators



6



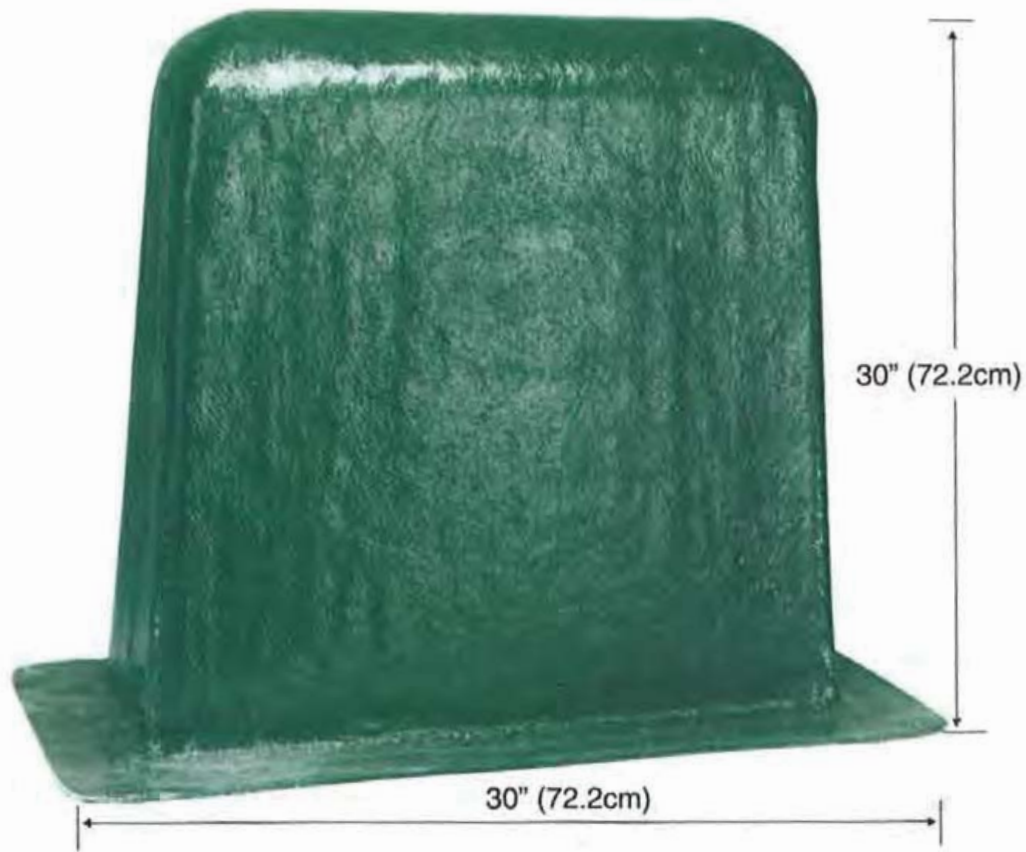
Series FLP-3030 - Fiberglass Looping Pedestal



6

- Meets electrical industry requirements
- Lightweight and durable fiberglass construction

Series FLP-3030 - Fiberglass Looping Pedestal



This looping pedestal is designed for looping primary cable at various locations where future plans call for installation of a transformer or enclosure. Fiberglass construction gives strength with light weight. Product has excellent environmental resistance. The looping pedestal has a 5" flange around base for excellent stability.

Dimensions: 30" long x 30" high with a 10" wide bottom opening.

Color: Dark green

Packaging: 5 units per skid

Recommendations on the application of our products are based on best available technical data and are offered as a suggestion only. Each user of the material should make his own tests to determine the material's suitability for his own particular use.



800-257-9448 // 252-467-2210
pencell.com // info@pencell.com
P.O. Box 8317 Rocky Mount, NC 27804

Series FLP-4839 - Fiberglass Looping Pedestal



- Meets electrical industry requirements
- Lightweight and durable fiberglass construction

6



Series FLP-4839 - Fiberglass Looping Pedestal



This looping pedestal is designed for looping primary cable at various locations where future plans call for installation of a transformer or enclosure. Fiberglass construction gives strength with light weight. Product has excellent environmental resistance. The looping pedestal has a 3" flange around base for excellent stability.

Dimensions: 39" longx48" high with a 15" wide bottom opening.

Color: Dark green
Packaging: 5 units per skid

Recommendations on the application of our products are based on best available technical data and are offered as a suggestion only. Each user of the material should make his own tests to determine the material's suitability for his own particular use.



800-257-9448 // 252-467-2210
pencell.com // info@pencell.com
P.O. Box 8317 Rocky Mount, NC 27804

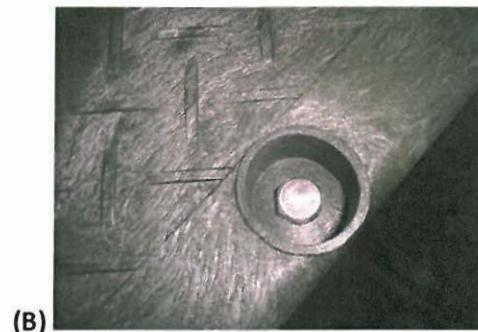
7. Hardware, Locking Options, Brackets, etc.



Grade Level Enclosures and Above Grade Pedestal Locking Options

PenCell **Grade Level Enclosures** are available with either a **(A) Penta Head Bolt** or a **(B) 9/16" Hex Head Bolt** to secure the lid onto the box. PenCell **Above Grade Pedestals** are available with a **(C) Penta Head Bolt** or **(D) Hex Head Bolt** which are recessed into a **molded cup** area on the pedestal domes or Penta & Hex bolts used with a **brass lock housing (E & F)** that encloses the bolt head and allows for the installation of a **secondary bracket (G)** for use with a padlock installed by the end user.

Pedestal domes are also available with a **(H) slam-lock system**. These locks use **various bolt head styles** to accurate the lock. They are available with **(I) Hex-bolt, (J) Pin-Torx, (K) Pencell Lock** or special keyed **(L) Diversified Locks**.





(E)



(F)

(G)



(H)



(I)



(J)



(K)



(L)

7



800-257-9448 // 252-467-2210
 pencell.com // info@pencell.com
 P.O. Box 8317 Rocky Mount, NC 27804

Pencell Hardware	LOCKS			BRACKETS				MISCELLANEOUS							
	Secondary	Slam	Optional	Universal Pop Up Hinges	Cross Supports	J- Racking	Custom	Steel Beam	End Bells	Ground Lugs	Pulling Eyes	Temp. Service Outlet	Bell Jar	RUS Approval	
PE SERIES 6,9,10,14,20,30,36	✓		✓				✓			✓	✓		✓	✓	✓
AG SERIES 14,20	✓		✓				✓					✓			✓
PEM SERIES 12,18,24,30, 36,48,60			✓	✓	✓	✓	✓	✓	✓	✓	✓	✓			✓
TP SERIES 4242					✓		✓								
BP SERIES 2436,3636					✓		✓				✓				
AGV SERIES 88,1010,1212	✓	✓	✓				✓					✓			
AGLP SERIES 1230,1730,1832	✓	✓	✓				✓		✓			✓			
AGLPN SERIES 1832	✓	✓	✓				✓		✓			✓			



Optional Accessories



Pulling Eye



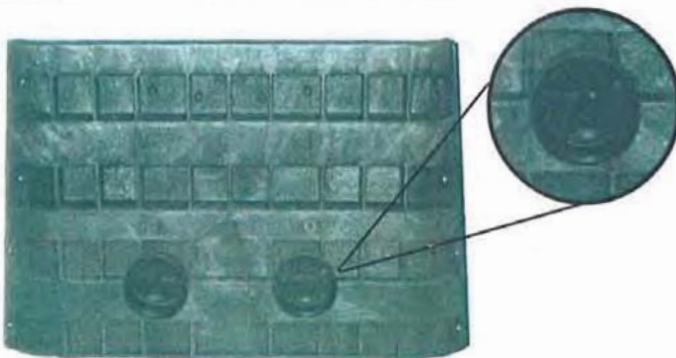
J Hooks



Swing Arm



Lift Hooks



End Bells

7



800-257-9448 // 252-467-2210
pencell.com // info@pencell.com
P.O. Box 8317 Rocky Mount, NC 27804

8. Typical Installation Procedures



TYPICAL INSTALLATION PROCEDURES

PEM Series Specification/Installation Guide

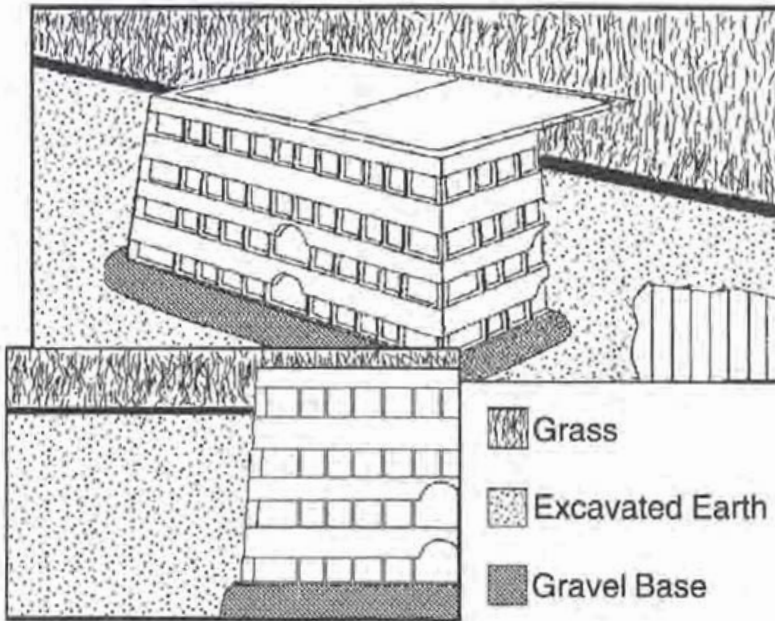
1. Handholes/Pull Boxes High density polyethylene structural foam vaults with external horizontal and vertical ribbing. HDPE will not absorb moisture and is impervious to chemicals found in the underground environment. Installations indicated, are from road shoulder back to greenway. Highway installations contra-indicated, proper concrete chambers should be used adhering to department of transportation load ratings.

Engineering Design department will select the appropriate handhole, vault or manhole consistent with this guideline.

- 1.1 The following installation instructions apply to the following size range.
- 1.2 24" x 24" through 36" x 60". This applies to Handholes/Pull Boxes from 24" up to 4 feet (1.2 meter) in depth.
- 1.3 Prepare the hole by digging a pit 8" to 10" deeper than the overall height of the Handholes/Pull Boxes. The length and width of the hole should be determined by adding 12" to 16" to the overall length and width of the Handholes/Pull Boxes.
- 1.4 Place 10" to 12" of crushed rock evenly across the bottom of the excavated hole. The compacted material should be leveled so the top of the Handhole/Pull Box is flush to the grade. Work the box into the gravel 1" to 2" at the time of leveling.
NOTE: Use a classified rock size of 3/4" and smaller to ensure proper drainage.
- 1.5 Replace the lid prior to backfilling.
- 1.6 Backfilling may be accomplished using the excavated materials.
- 1.7 Place the backfill into the hole in 12" increments and compact. Manual compaction is desirable to ensure filling space between ribs. This step assures locking the vault in the ground preventing upheaval in high water table areas.
- 1.8 Vault "Grass Area" installation — Grass Area describes non-traffic areas separated from roadways by a curb or other permanent barrier where foot traffic is expected.
 - 1.8.1 Continue backfilling in 12" increments and compaction until backfill is at grade.
- 1.9 Vault "Sidewalk or Footway" installation — Sidewalk or Footway installation provides for safe usage under incidental motor traffic.
 - 1.9.1 Backfill in 12" increments to within 8" of the top of Handhole/Pull Box.
 - 1.9.2 Dig out the top 8" to provide for forming a 12" wide collar surrounding the handhole.
 - 1.9.3 Vibrate concrete to release entrapped air to prevent voids.
- 1.10 Vault "Hidden" Installation. This method, for burial below grade, is useful in shoulder or off road installations for cable access and prevention of vandalism and safety from vehicular traffic.
 - 1.10.1 Follow instructions 1.3 through 1.8 except that the excavation will start 36" deeper than flush with grade installations.
 - 1.10.2 During the backfilling operation, continue in 12" increments with manual compacting. Proper compaction essential in the 36" above the Handhole/Pull Box.

TYPICAL INSTALLATION PROCEDURES

Installation in Grass, Dirt or Gravel (All PenCell Units)

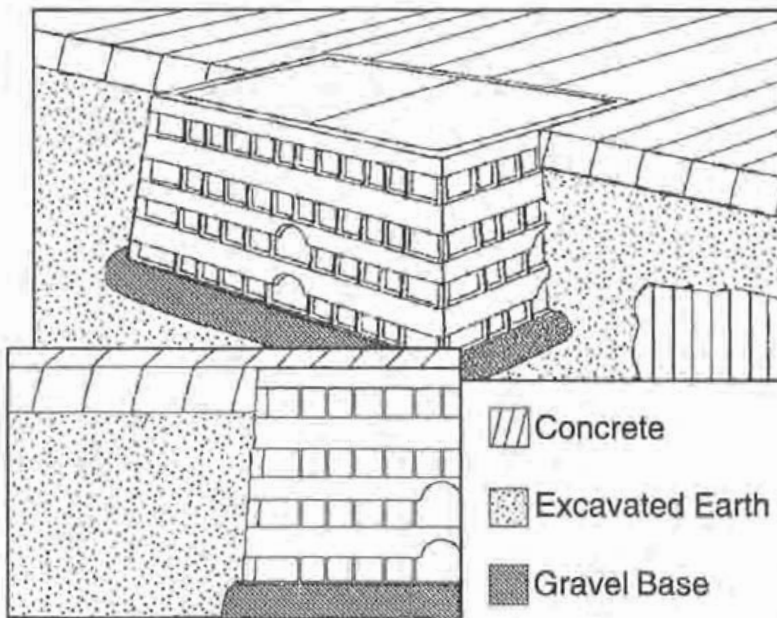


1. Prepare the excavation approximately 6" deeper than the overall height of the enclosure. The length and width of the excavation should be determined by adding 4" to 6" to the overall length and width of the handhole or pull box.

2. Place approximately 3-6" of compacted material such as sand or gravel in the bottom of hole. Gravel is the recommended material because of its drainage characteristics. The compacted material should be leveled so the top of the handhole or pull box is flush to the grade.

3. Place selected backfill into the excavation at 1' lift and compact either by manual compacting or flooding the excavation to achieve the desired relative compaction. Install with cover in place.

Installation in Concrete and Pavement (PenCell units with steel or polymer concrete lids)*



1. Follow steps 1 and 2 above, except install with cover in place with shims on all sides and ends to prevent deflection.

2. Place selected backfill into the excavation at 1' lifts and compact either by manual compaction or by flooding the excavation. The backfill should be discontinued approximately 8" below the finished grade. The final 8" of the excavation should be finished with concrete. This should be accomplished by providing a form around the enclosure that would produce a 6" wide collar (see attached sketch). Small shims should be placed between cover and wall until concrete is set.

Note: Boxes larger than 2'x2' should be installed the same as above, except should be allowed 8"-10" of room in length, depth, and width of excavation.

(* Plastic lids are not recommended in sidewalk applications.)



800-257-9448 // 252-467-2210
pencell.com // info@pencell.com
P.O. Box 8317 Rocky Mount, NC 27804

9. The PenCell Option System



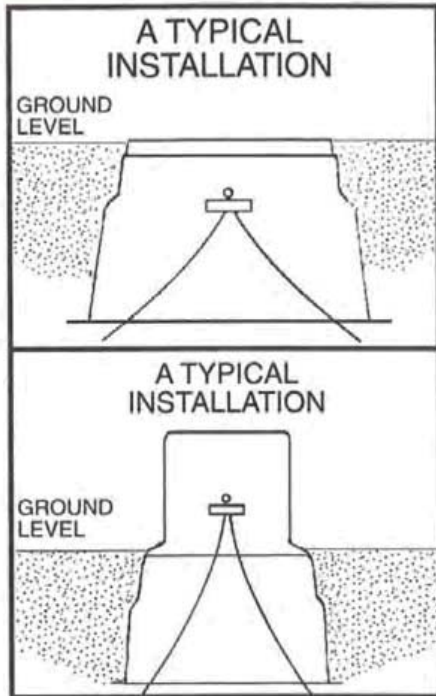
THE PENCELL OPTION SYSTEM

Exclusively from PenCell

Only PenCell Plastics offers a system which makes your future planning as easy as **A-B-C.**

Our enclosures can be installed:

- A**BOVE GROUND
- B**ELOW GROUND, or
- C**HANGEABLE



Look for this symbol throughout these pages. It identifies an Option System compatible product.

