

TRANSMISSION CONNECTORS

CANADIAN PRODUCT OFFERING



ALPHA-NUMERIC INDEX

CATALOG TYPE	PAGE NO.
30	E-6
33	E-5
607	G-1
81/SWS	D-17
A01/A03	C-11
A02/A04	C-14
A15	D-1
AB01/AB03	C-17
AB02/AB04	C-18
AB15	D-4
AP8	G-6
APAS	G-9
APGS	G-8
AR1/AR2	C-6
AS	A-11
BC	A-9
BE	A-12
BE/AHM	A-13
BEAS	A-14
BR1/BR2	C-8
BRS	B-11
BSD	C-7
BW	J-4
C01/C03	C-19
C02/C04	C-21
C15	D-5
CCC	A-7
CFS	B-3
CFS (LONG)	B-4
CFSHT	B-5
CFST2	B-16
ES	A-25
H/F	A-26
HAC	B-6
HAS	B-1
HAST2	B-15
HB	A-16
HB	J-4
HBC	A-21
HDWR	A-33
HDWS	A-33
HF	J-6
HN	J-6

CATALOG TYPE	PAGE NO.
HOEB	A-23
HSB	A-24
HSC	A-18
HSE	A-17
HSYC	A-19
HTJC	F-1
HW	J-6
HYBC	A-22
HYYC	A-20
JLS	D-7
JTF	E-3
JTS	E-1
LK	A-15
MS	B-12
ORT21	E-7
ORT21SSAC	E-8
ORT21STW	E-9
ORT22	E-10
PG/DE	C-4
PL5	G-10
PR5	G-12
PSSLV	J-2
RS1700	D-18
RS1700SSAC	D-19
RS1700STW	D-20
SA	A-2
SA/AHM	A-3
SC	A-5
SD	C-1
SDT2	C-3
SSHDW	J-7
SWDE/MD	C-9
SYC	A-4
TAA21CVN	H-10, H-36
TAA22CVN	H-12, H-38
TAA32CVN	H-40
TAA34CVN	H-41
TAD11CVN	H-14
TAD12CVN	H-16
TAD21CVN	H-17, H-42
TAD22CVN	H-18, H-43
TAD32CVN	H-45
TAD33CVN	H-47

CATALOG TYPE	PAGE NO.
TAJ11CVN	H-20
TAJ11PCVN	H-21
TAJ21CVN	H-24, H-52
TAJ21PCVN	H-22, H-25, H-48
TAJ31CVN	H-53
TAJ31PCVN	H-51
TAT11CVN	H-2
TAT12CVN	H-3
TAT21CVN	H-4, H-26
TAT21WCVN	H-8, H-30
TAT22CVN	H-6, H-28
TAT22WCVN	H-9, H-31
TAT32CVN	H-32
TAT34CVN	H-35
TCR	A-32
TJA	D-8
TJA-SSAC	D-11
TJA-STW	D-14
TSC	B-7
TSCHT	B-8
TSCT2	B-17
YBC	A-10
YCC	A-8
YCS	A-6
YPC	A-29
YPD	A-28
YPJ/CVN	A-32
YPR	A-28
YPT	A-29
YPTA	A-30
YPTB	A-29
YPV	A-28
YPW/CVN	A-31

HUBBELL POWER SYSTEMS, INC.

TERMS & CONDITIONS OF SALES

These terms and conditions of sales ("terms and conditions") apply to the purchase by Buyer of any and all Hubbell Power Systems, Inc. ("HPS") products. HPS hereby gives notice of its rejection to any different or additional terms and conditions other than as stated herein. Buyer's acceptance of the provisions of HPS's terms and conditions as recited herein shall be conclusively presumed upon Buyer's receipt of the product(s), or if no written objection is received by HPS within fifteen (15) days from the date on HPS's order acknowledgment, whichever event shall first occur.

PRICING

Refer to appropriate Price Schedule, unless otherwise quoted.

TERMS

Payment terms are net 30 days. Invoices will be dated the day of shipment. A service charge of 1-1/2% per month or, if such rate exceeds the maximum lawful rate, the maximum lawful rate shall be assessed on all past due accounts and shall be payable on demand.

QUOTATIONS

Unless otherwise stated in writing, HPS' quotations are subject to acceptance by the Buyer within thirty (30) days from the date of issue.

SALES AND SIMILAR TAXES

Prices do not include any sales, use, excise or similar taxes. Consequently, in addition to the price specified herein, the amount of any present or future sales, use, excise or other similar tax applicable to the sale or use of the equipment hereunder, shall be paid by the Buyer, or in lieu thereof the Buyer shall provide HPS with a tax exemption certificate acceptable to the taxing authorities.

ACCEPTANCE OF ORDERS

All orders are subject to final acceptance by HPS. Any other terms proposed by Buyer are rejected unless expressly accepted in writing. Orders shall be deemed to be executed in the State of Missouri and shall be construed and performed in accordance with the laws of that State. Acceptance of any order is subject to availability of product and the ability of HPS to deliver. Orders will be billed at prices in effect at time of shipment unless otherwise agreed. Unless otherwise stated in writing, HPS reserves the right to ship plus or minus 10% of specified quantity for special products that are made to order.

SALES BY AGENTS

Sales by agents or through overseas representatives shall be at prices, terms and conditions of sale specified by HPS. All invoices will be issued by and payment remitted to HPS.

DELAY

HPS will use reasonable efforts to meet shipment or delivery dates specified by HPS, but such dates are estimates only. In no event shall be liable for any delay or nondelivery if caused directly or indirectly by Acts of God, fire, flood, strike or lockout or other labor dispute, accident, civil commotion, riot, war, governmental regulation or order, whether or not it later proves to be invalid, or from any other cause or causes (whether or not similar to any of the foregoing) beyond HPS's control. In no case will HPS be liable for loss of profits or any special or consequential damages on account of any delay in delivery or nondelivery whether or not excused hereunder.

SHIPPING DEFERMENT

Buyer requests for shipping deferment must be approved by HPS and are subject to price negotiation.

LIMITED WARRANTY AND LIMITATION OF LIABILITY

HPS warrants to Buyer that the products sold will be free of defects in workmanship or material for a period of one (1) year (or as otherwise specified) from the date of original shipment by HPS when stored, installed, operated or maintained in accordance with recommendations of HPS and standard industry practice and when used under proper application and normal use. HPS shall in no event be responsible or liable for modifications, alterations, misapplication or repairs made to its products by Buyer or others, or for damage caused thereto by negligence, accident or improper use by Buyer or others. This warranty does not include reimbursement for the expenses of labor, transportation, removal or reinstallation of the products. This warranty shall run only to the first Buyer of a product from HPS, from HPS' Buyer, or from an original equipment manufacturer reselling HPS' product, and is non-assignable and non-transferable and shall be of no force and effect if asserted by any person other than such first Buyer.

APPLICATION: HPS does not warrant the accuracy of and results from product or system performance recommendations resulting from any engineering analysis or study. This applies regardless of whether a charge is made for the recommendation, or if it is provided free of charge. Responsibility for selection of the proper product of application rests solely 2 Effective January 1, 2011 with the Buyer. In the event of errors or inaccuracies determined to be caused by HPS, its liability will be limited to the reperformance of any such analysis or study.

BUYER INSPECTIONS: Tests, inspections and acceptance of all material must be made at the factory. Buyer's inspectors are welcome at the factories and are provided with the necessary facilities for carrying out their work. Name and phone number of who should be contacted for inspection should be given to HPS no later than two weeks prior to scheduled shipment date.

DISCLAIMER OF WARRANTY: THE FOREGOING WARRANTY IS EXCLUSIVE AND IN LIEU OF ALL OTHER WARRANTIES WHETHER WRITTEN, ORAL, EXPRESSED OR IMPLIED. THERE ARE NO WARRANTIES OF MERCHANTABILITY OR FITNESS OF ANY PRODUCT FOR A PARTICULAR PURPOSE.

EXCLUSIVE REMEDY: Any claim by Buyer that a product is defective or non-conforming shall be deemed waived by Buyer unless submitted to HPS in writing within thirty (30) days from the date Buyer discovered, or by reasonable inspection should have discovered the alleged defect or non-conformity. Any warranty claim must be brought within one year of discovery of the alleged defect or non-conformity. Upon prompt written notice by the Buyer that a product is defective or non-conforming, HPS' liability shall be limited to repairing or replacing the product, at HPS' option.

LIMITATION OF LIABILITY: IN NO EVENT AND UNDER NO CIRCUMSTANCES SHALL HPS BE LIABLE TO BUYER OR TO ANY OTHER PERSON FOR ANY INDIRECT, SPECIAL, CONSEQUENTIAL OR INCIDENTAL LOSSES OR DAMAGES, INCLUDING, WITHOUT LIMITATION, DAMAGE TO OR LOSS OF USE OF ANY PRODUCT, LOST SALES, OR PROFITS, OR DELAY OR FAILURE TO PERFORM THIS WARRANTY OBLIGATION, OR CLAIMS OF THIRD PARTIES AGAINST PURCHASER, ARISING OUT OF OR IN CONNECTION WITH THE SALE, INSTALLATION, USE OF, INABILITY TO USE, OR THE REPAIR OR REPLACEMENT OF, HPS' PRODUCTS. As stated herein, the term "person" shall include without limitation, any individual proprietorship, partnership, corporation or entity.

FREIGHT ALLOWANCE and F.O.B. POINT

All shipments are F.O.B. origin. Risk of loss and title of products shall pass to Buyer upon delivery to the designated carrier. Freight is prepaid and allowed on all HPS shipments of products with a net order value of \$5,000 and above to destinations within the Continental U.S.A and Canada, with the exception of USCO brand products. Freight is prepaid and allowed on all shipments of USCO brand products with a net order value of \$20,000 and above. An 8% shipping and handling charge will be added to all standard shipments under the minimum net order value. Customer expedited orders will be billed at actual freight cost plus \$50.00 handling. Shipments to Alaska and Hawaii are F.O.B. Pacific Coast docks, collect beyond. Tool trailers will be F.O.B. HPS' dock - no freight allowed.

HPS reserves the right to route all qualified freight allowed shipments via least expensive surface route within the Continental United States and Canada. Buyer will assume all charges for transportation specified via more expensive means. Acceptance of a specified routing does not constitute a guarantee of ship date, transit time or arrival date. HPS will not be responsible for any cartage or storage charges at destination.

HPS' responsibility for exception-free delivery ceases when the transportation company receives shipment in good condition. Claims for loss or damage must be reported directly to the carrier. HPS's willingness to assist does not indicate liability for claim or replacement.

PARTIAL RELEASE

If an order has multiple releases specified by the Buyer, each release will be treated as individual orders, relative to freight allowance and minimum billing.

BACK ORDERS

Back orders that are the responsibility of HPS will be shipped F.O.B. factory or point of shipment with freight prepaid and allowed via the most cost effective method, providing the original order qualified for freight allowance.

MINIMUM BILLING

Standard Orders — \$750 net per order. Tools — \$100 net per order. Parts — \$100 net per order.

ORDER ADD-ON POLICY

HPS' "Add-On" policy allows you to add items to an existing unshipped order for up to fifteen (15) days from the entry date of the original order. The minimum value for added products is \$250. Addition of tools or parts must be \$100.

DELIVERY SCHEDULE

Shipping dates provided by HPS are estimates only. HPS shall make every reasonable effort to meet Buyer's shipping requirements provided HPS promptly receives all necessary information from Buyer and approved drawings if required by HPS. HPS will not assume liability because of delayed shipment for any reason. HPS's responsibility ceases upon acceptance of shipment by carrier.

CANCELLATIONS

Cancellation of an order for current stock product requires a minimum of five (5) days' notice prior to actual ship date. Stock product orders shipped after cancellation notice is received, but before expiration of the five-day requirement, will be subject to all standard returned product conditions, noted below. Cancellation on non-stock products may be made only if no work has been performed or material purchased. If cancellation is requested after work is in progress, there will be a cancellation 3 Effective January 1, 2011 charge as established by HPS. Orders may not be cancelled unless HPS gives its written consent, and then only upon agreement as to applicable cancellation charges.

RETURNED PRODUCT

GENERAL CONDITIONS applying to all transactions:

1. Product is not returnable without the written consent of HPS.
2. Request for permission to return product must be made in writing within one year from date of shipment, and Buyer must provide original HPS invoice number.
3. Product to be returned must be considered standard product by HPS.
4. HPS reserves the right to refuse returns of any special or made-to-order product, regardless of condition.
5. All returned products must be in excellent, resaleable condition and packaged in the original carton. Products will be inspected upon return; and any service or repair needed to place them in first class, saleable condition will be charged and added to the restocking charge.
6. A 25% restocking charge will be deducted from all credits issued on authorized returns.
7. Return Goods Authorization (RGA) Packing List, supplied by the factory, must accompany the return shipment.
8. Return freight must be prepaid. Product must be received by HPS within sixty (60) days of issuance of RGA.
9. Net value of the return must not be less than \$250.
10. HPS reserves the right to deduct for any damage sustained in transit.
11. Unauthorized returns will be refused. Equipment returned without proper authorization from HPS will, at the sole option of HPS, be returned to the Buyer freight collect, or scrapped immediately with no issuance of credit. Unauthorized product included in a return will not be credited.

BROKEN PACKAGE POLICY

Shipments will be made in standard package quantities or multiples thereof. HPS Customer Service will notify the Buyer of any orders that do not comply with this policy. The Buyer must authorize an adjustment to comply with standard package quantities before the order will be entered.

DROP SHIPMENT POLICY

A 10% net order value drop shipment charge will be added to all purchase orders requesting delivery to a location other than a recognized Buyer stocking warehouse, with the exception of full truckload and/or project material. This is in addition to any other charges to the net order.

QUOTATION PRICE PROTECTION

All prices shown in the price lists are subject to change without notice. All quotations on special products or modifications to catalog products are binding only if confirmed in writing by the factory for the period shown on the quotation. Price protection will be provided for a period of thirty (30) days from date of quotation from HPS.

ORDERS

All orders are taken and prices quoted only with the understanding that each order shall be subject to the acceptance of HPS upon such terms as we may specify when order is received. Prices to cover amount of any sales or excise tax which now or hereinafter may be imposed by any taxing authority upon this product or the sale or manufacture thereof.

PRODUCT SPECIFICATION

HPS reserves the right to discontinue products, modify designs, and change specifications or prices without incurring obligation.

INVOICING

All invoices are due and payable per the standard terms stated herein. In the case of an apparent discrepancy in a line item charge, Buyer is obligated to advise HPS Customer Service in writing of the nature of the claimed discrepancy within five (5) days of receipt of the invoice. This includes all requests for proof of delivery. A claim of discrepancy does not relieve Buyer of the absolute obligation to pay the remaining balance of the invoice in accordance with the standard terms of payment. Upon review, HPS will have sole discretion to resolve the discrepancy; and the Buyer expressly agrees to abide by HPS' decision. HPS will promptly advise Buyer of its decision regarding any disputed items or charges.

OSHA

HPS warrants that at time of shipment, the products will conform to the applicable occupational safety and health standards promulgated pursuant to the Federal Occupational Safety and Health Act of 1970, which are in effect on the date that HPS enters its acknowledgment of Buyer's order. The Buyer's exclusive remedy and HPS' liability for breach of this warranty is limited to replacement of the nonconforming products.

FAIR LABOR STANDARDS ACT AS AMENDED

HPS represents that any goods to be delivered hereunder will be produced in compliance with the requirements of the Fair Labor Standards Act of 1938, as amended.

NOTE

These Terms and Conditions supersede all those published and previously issued by The A.B. Chance Company, The Ohio Brass Company, Anderson Electrical Products, Inc., Fargo Manufacturing Company, Inc., Chardon Electrical Components, USCO Power Equipment Corporation, Hubbell Canada LP and Hubbell Power Systems, Inc.



Kitting —
TowerPak®

Kitting — TowerPak®

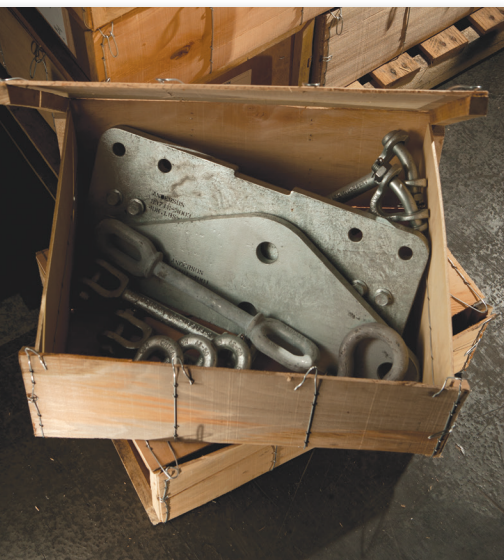
For too long, electric utility companies have dealt with the burden of obtaining supplies from different sources, leading to high costs, wasted time and inconvenience. In response to these project challenges, Hubbell Power Systems created TowerPak.

Think Inside the Box.

When you order TowerPak, you can trust that all tower hardware is reviewed before it is shipped to ensure a perfect fit. Custom developed to suit your individual needs, components are identified by phase or tower, clearly marked and efficiently packaged to make tower construction faster and more cost effective than ever before.

One Tower. One TowerPak.

TowerPak groups all of your transmission hardware together by assembly or structure for easy distribution. Packaging by assembly or by structure is a decision you and your Hubbell partner will make during your project development. Either solution will ensure clear descriptive labeling for simple inventory management in the field.



Your Way, Any Way...

Assemblies — components of one or more assemblies may be packed together in one box or palletized.

Insulators — with rings in protective cartons, insulators are carefully packed in wooden crates and labeled appropriately. For example, 25K lb SML suspension insulators are crated and labeled with the insulator catalog number, sales order number and quantity.

Materials When, Where and How You Need Them

Each TowerPak arrives at your warehouse — or even your job site — in durable, weather-resistant crates. Inside, every part is clearly labeled for quick identification and accurate assembly.

And we absolutely guarantee on-time delivery via our expedited, freight-coordinated and trackable shipping. No surprises. No delays.

The Right Fit, Every Time

With Hubbell Power Systems, you know that each tower component is designed and manufactured to meet the highest quality standards.

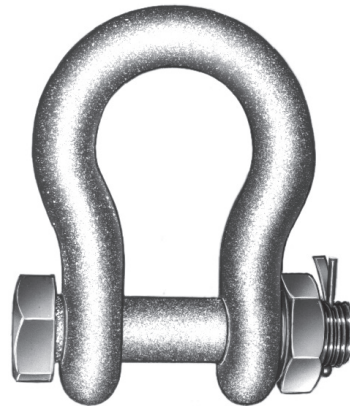
You can trust that TowerPak is the solution to simplifying inventory management on complex transmission projects. After all, it was developed by the largest and most experienced technical staff in the industry — here at Hubbell Power Systems.

For more information, contact your sales representative.





Line and Tower Hardware



strength

Line and Tower Hardware Index

Forged Steel

AS	Anchor Shackle	A-11
BC	Ball Clevis	A-9
BE	Ball Eyes	A-12
BE/AHM	Ball Eyes with AHM	A-13
BEAS	Ball Oval-Eye Anchor Shackle Combination	A-14
CCC	Clevis-Clevis	A-7
H/F	Hot Line Links-Specified Length	A-26
HBC	Hot Line Ball Clevis	A-21
HOEB	Hot Line Oval-Eye Ball	A-23
HSB	Hot Line Socket Ball	A-24
HSC	Hot-Line Extension Socket Clevis	A-18
HSE	Hot-Line Socket Eye	A-17
HSYC	Hot-Line Socket Y- Clevis	A-19
HYBC	Hot-Line Y-Clevis Ball	A-22
HYYC	Hot-Line Y- Y- Clevis	A-20
LK	Chain Eye	A-15
SA	Socket Eye	A-2
SA/AHM	Socket Eye with AHM	A-3
SC	Socket Clevis	A-5
SYC	Socket Y-Clevis	A-4
YBC	Ball Y-Clevis	A-10
YCC	Y-Clevis Clevis	A-8
YCS	Y-Clevis Eye	A-6

Cut Steel

ES	Extension Strap	A-25
YPC	Yoke Plates Crescent Configuration	A-29
YPD	Yoke Plates Delta Configuration	A-28
YPR	Yoke Plates Rectangular Configuration	A-28
YPT	Yoke Plates Tee Configuration	A-29
YPTA	Yoke Plates Tension Adjustment Configuration	A-30
YPTB	Yoke Plates Tee-Batwing Configuration	A-29
YPV	Yoke Plates Vee Configuration	A-28

Aluminum

TCR	Transmission Corona Rings	A-32
YPJ/CVN	Jumper Yoke Plate	A-32
YPW/CVN	Bundling Yoke Wishbone Configuration	A-31

Cast Iron

HDWR	Hold Down Weight Rectangular Configuration	A-33
HDWS	Hold Down Weight Square Configuration	A-33

Line and Tower Hardware

Hardware Fittings

Anderson™ manufactures a complete line of Hubbell® quality line and tower end hardware to meet all transmission line construction needs. A variety of devices are available to bundle conductors, attach conductors to insulator strings and attach insulator strings to support arms and poles. This catalog highlights Hubbell® products that are currently available to the Canadian market.

The following offering of our line and tower end hardware is manufactured from high strength forged steel. The forged steel offering meets all the required necessary ultimate strengths while also meeting energy absorption requirements detailed in CSA C83 which states:

“Level 1 (Energy Absorption) - Level 1 material will provide a minimum energy absorption of 20 Joules at -20°C for three standard Charpy V-notch bars tested in accordance with CSA Standard CAN/CSA-G40.20.” - CSA C83-96

Ball and socket fittings are specified under an ANSI (equivalent to CS class - CSA type) class and an IEC class with respect to insulators. We offer two types of ANSI ball and socket fittings: Standard fittings (rated 30,000 pounds) for ANSI 52-3 (CS-3) and 52-5 (CS-5) class insulators and high strength fittings (rated 40,000 and 50,000 pounds) for ANSI 52-8 (CS-8) and 52-11 (CS-11) class insulators. We offer four types of IEC ball and socket fittings: IEC 16MM, IEC 20MM, IEC 24MM, and IEC 28MM.

The ultimate strength rating of our line and tower end hardware indicates the minimum load where rupture may occur. It is a fairly common industry practice to match the ultimate strength of line and tower end hardware to that of the associated insulators. Consequently, the ultimate strengths should not be construed to be a recommended constant tension applied to a fitting. It is expected that the customer will apply suitable safety factors.

Design/Testing Standards

IEEE C135.61: Testing of Hardware

ANSI C29.2-71: Insulator Ball/Socket

IEC Publication 120: Insulator Ball/Socket

CSA C83-96 Level 1 Charpy: Impact Test - Minimum absorption values of 20 Joules at -20°C

- Performed in accordance to ASTM A370 and E23

CSA G164: Galvanizing

ASTM A576: Forgings (steel)

IEEE C135.63: Standard for Shoulder Live Line Extension Links for Overhead Line Construction

Hardware Fittings — Forged Steel

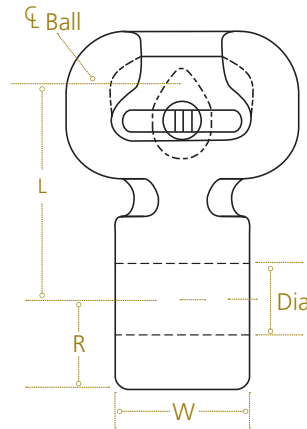
Socket Eye

FORGED STEEL

SA

Socket eyes can be used for connecting conductor clamping devices to ball and socket type insulators.

Material: Body – galvanized steel
Cotter Pin – stainless steel



All IEC fittings and parts with 'CVN' suffix are charpy level 1 compliant (minimum energy absorption values of 20 joules at -20°C) per CSA C83-96. It is generally accepted that IEC 16MM and ANSI 52-3 & 52-5 are interchangeable.

Product Data

Catalog Number	Ultimate Strength lb (kN)	Dimensions Inches (mm)				Fitting Class	Approx Wt Each lb (kg)
		W	R	L	DIA		
SA04CVN	18,000 (80)	1/2 (12.7)	13/16 (20.65)	2-5/64 (52.8)	11/16 (17.5)	ANSI 52-3 & 52-5	1.30 (.59)
SA05CVN	20,000 (89)	5/8 (15.8)	13/16 (20.65)	2-5/64 (52.8)	11/16 (17.5)	ANSI 52-3 & 52-5	1.36 (.62)
SA06CVN	25,000 (111)	3/4 (19.1)	13/16 (20.65)	2-5/64 (52.8)	11/16 (17.5)	ANSI 52-3 & 52-5	1.41 (.64)
SA10CVN	30,000 (133)	1 (25.4)	13/16 (20.65)	2-5/64 (52.8)	11/16 (17.5)	ANSI 52-3 & 52-5	1.54 (.70)
SA13CVN	30,000 (133)	1-1/8 (28.6)	13/16 (20.65)	2-5/64 (52.8)	11/16 (17.5)	ANSI 52-3 & 52-5	2.10 (.95)
SA16CVN	30,000 (133)	1-3/4 (44.5)	13/16 (20.65)	2-5/64 (52.8)	11/16 (17.5)	ANSI 52-3 & 52-5	2.30 (1.04)
SA22CVN	30,000 (133)	2-1/4 (57.15)	13/16 (20.65)	2-5/64 (52.8)	11/16 (17.5)	ANSI 52-3 & 52-5	2.48 (1.12)
SA1013CVN	30,000 (133)	1 (25.4)	13/16 (20.65)	2-5/64 (52.8)	13/16 (20.65)	ANSI 52-3 & 52-5	1.50 (.68)
SA10513CVN	30,000 (133)	1-1/16 (27.0)	13/16 (20.65)	2-5/64 (52.8)	13/16 (20.65)	ANSI 52-3 & 52-5	1.52 (.69)
SA2613CVN	30,000 (133)	2-3/4 (69.9)	13/16 (20.65)	2-5/64 (52.8)	13/16 (20.65)	ANSI 52-3 & 52-5	4.5 (2.04)
SA2650CVN	50,000 (222)	2-3/4 (69.9)	1 (25.4)	3-9/32 (83.3)	15/16 (23.8)	ANSI 52-8 & 52-11	5.0 (2.27)
SA22222	50,000 (222)	2-1/4 (57.15)	1-1/8 (28.6)	2.99 (76)	0.827 (21)	IEC 20MM	5.2 (2.36)

Hardware Fittings — Forged Steel

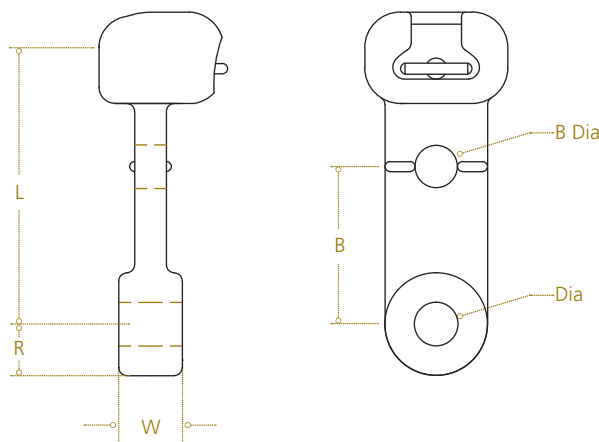
Socket Eye with AHM

FORGED STEEL

SA/AHM

Socket eyes are often used primarily for connecting associated hardware to ball and socket type insulators. Types "AHM" are designed for an arcing horn to be mounted to the body.

Material: Body – galvanized steel
Cotter Pin – stainless steel



All IEC fittings and parts with 'CVN' suffix are charpy level 1 compliant (minimum energy absorption values of 20 joules at -20°C) per CSA C83-96. It is generally accepted that IEC 16MM and ANSI 52-3 & 52-5 are interchangeable.

Product Data

Catalog Number	Ultimate Strength lb (kN)	Dimensions Inches (mm)						Fitting Class	Approx Wt Each lb (kg)
		W	R	L	DIA	B	B DIA		
SA04133AHM	30,000 (133)	1/2 (12.7)	0.81 (20.5)	4.350 (110.5)	11/16 (17.5)	2.480 (63.0)	0.67 (17.0)	IEC 16MM	2.07 (.94)
SA06133AHM	30,000 (133)	3/4 (19.1)	0.81 (20.5)	4.350 (110.5)	11/16 (17.5)	2.480 (63.0)	0.67 (17.0)	IEC 16MM	2.45 (1.11)
SA10133AHM	30,000 (133)	1 (25.4)	0.81 (20.5)	4.350 (110.5)	11/16 (17.5)	2.480 (63.0)	0.67 (17.0)	IEC 16MM	2.55 (1.16)
SA13133AHM	30,000 (133)	1-3/8 (34.9)	0.81 (20.5)	4.350 (110.5)	11/16 (17.5)	2.480 (63.0)	0.67 (17.0)	IEC 16MM	2.71 (1.23)
SA16133AHM	30,000 (133)	1-3/4 (44.5)	0.81 (20.5)	4.350 (110.5)	11/16 (17.5)	2.480 (63.0)	0.67 (17.0)	IEC 16MM	2.87 (1.30)
SA13222AHM	50,000 (222)	1-3/8 (34.9)	1-1/8 (28.6)	4-13/22 (112)	13/16 (20.65)	2.000 (50.8)	0.67 (17.0)	IEC 20MM	2.80 (1.27)
SA21222AHM	50,000 (222)	2-1/8 (54.0)	1-1/8 (28.6)	4-13/22 (112)	13/16 (20.65)	2.000 (50.8)	0.67 (17.0)	IEC 20MM	2.90 (1.32)
SA300AHM	67,500 (300)	0.87 (22.0)	1.48 (37.5)	5.860 (149)	1-1/16 (27)	2.870 (73.0)	0.59 (15.0)	IEC 24MM	6.55 (2.97)
SA400AHM	90,000 (400)	0.87 (22.0)	1.48 (37.5)	6.000 (152.3)	1.340 (27)	2.870 (73.0)	0.59 (15.0)	IEC 28MM	6.95 (3.15)

Hardware Fittings — Forged Steel

Forged Steel Socket Y-Clevis

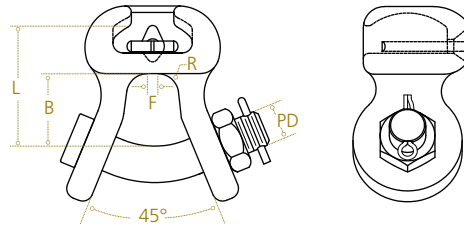
FORGED STEEL

SYC

Socket Y-clevises are often used to connect yoke plates or associated hardware to ball and socket insulators. The bent bolt in the Y-section provides additional articulation within an assembly.

Type SYCS is a short coupling version of Type SYC that offers the same articulation advantages.

Material: Body – galvanized steel
 Hardware – galvanized steel
 Cotter Pin – stainless steel



All IEC fittings and parts with 'CVN' suffix are charpy level 1 compliant (minimum energy absorption values of 20 joules at -20°C) per CSA C83-96. It is generally accepted that IEC 16MM and ANSI 52-3 & 52-5 are interchangeable.

Product Data

Catalog Number	Ultimate Strength lb (kN)	Dimensions Inches (mm)					Fitting Class	Approx Wt Each lb (kg)
		L	B	R	F	PD		
SYC133	30,000 (133)	2-9/32 (57.9)	1-11/32 (34.0)	1/4 (6.35)	25/64 (9.90)	3/4 (19.1)	IEC 16MM	2.70 (1.2)
SYC222	50,000 (222)	2.415 (61.4)	1.425 (36.2)	0.377 (9.58)	--	1 (25.4)	IEC 20MM	2.87 (1.30)
SYC300	67,500 (300)	3.08 (78.2)	1.647 (41.8)	0.501 (12.72)	--	1-1/4 (31.8)	IEC 24MM	7.57 (3.43)
SYC50CVN	50,000 (222)	2.842 (72.2)	1-11/16 (42.9)	0.498 (12.65)	--	7/8 (22.2)	ANSI 52-8 & 52-11	4.60 (2.1)

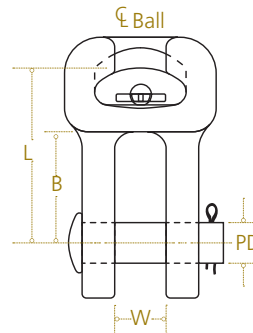
NOTE: Furnished with Bent Bolt, Nut, and Cotter Pin

Hardware Fittings — Forged Steel

Socket Clevis

Socket clevises are often used primarily for connecting associated hardware to ball and socket type insulators.

Material: Body – galvanized steel
Hardware – galvanized steel
Cotter Pin – stainless steel



FORGED STEEL

SC

All IEC fittings and parts with 'CVN' suffix are charpy level 1 compliant (minimum energy absorption values of 20 joules at -20°C) per CSA C83-96. It is generally accepted that IEC 16MM and ANSI 52-3 & 52-5 are interchangeable.

Product Data

Catalog Number	Ultimate Strength lb (kN)	Dimensions Inches (mm)				Fitting Class	Approx Wt Each lb (kg)
		W	L	B	PD		
SC30BNKCVN	30,000 (133)	7/8 (22.2)	2-5/8 (66.7)	1-11/16 (42.9)	5/8 (15.8)	ANSI 52-3 & 52-5	2.2 (1.0)
SC133BNK	30,000 (133)	15/16 (23.8)	2.98 (75.6)	1-3/4 (44.5)	5/8 (15.8)	IEC 16MM	2.3 (1.1)
SC222BNK	50,000 (222)	1 (25.4)	3.30 (83.8)	2-1/8 (53.4)	7/8 (22.2)	IEC 20MM	4.82 (2.2)
SC501BNKCVN	50,000 (222)	1-1/8 (28.6)	3-9/32 (83.3)	2-1/16 (52.4)	7/8 (22.2)	ANSI 52-8 & 52-11	5.1 (2.3)
SC508BNKCVN	50,000 (222)	1-1/8 (28.6)	8 (203)	2-1/16 (52.4)	7/8 (22.2)	ANSI 52-8 & 52-11	7.0 (3.2)
SC300BNK	67,500 (300)	1-1/8 (28.6)	4-1/8 (105)	2.74 (69.5)	1 (25.4)	IEC 24MM	5.6 (2.5)
SC400BNK	90,000 (400)	1-3/8 (35.1)	3.71 (94.2)	2.74 (69.5)	1-1/4 (31.8)	IEC 28MM	10.5 (4.8)
SC530BNK	120,000 (530)	2.047 (52)	5.512 (140)	3.189 (81)	1-1/4 (31.8)	IEC 32MM	12.5 (5.7)

NOTE: *BNK - Bolt, Nut, and Cotter Pin included

Hardware Fittings — Forged Steel

Y-Clevis Eye

Y-clevis eyes are primarily used to attach clamping devices to yoke plates or other associated hardware in a bundle conductor assembly. The bent bolt in the Y-section provides an additional point of articulation within an assembly.

Material: Body – galvanized forged steel
 Hardware – galvanized steel
 Cotter Pin – stainless steel

FORGED STEEL

YCS

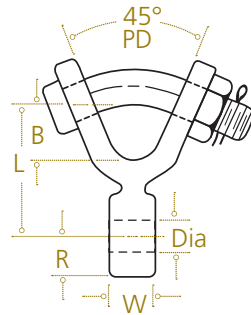
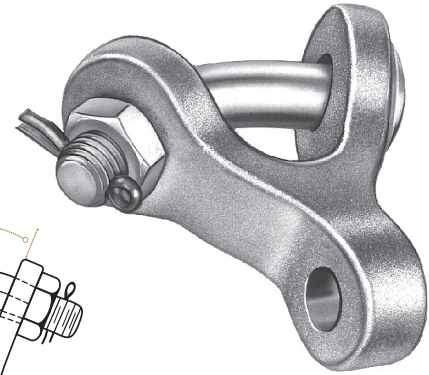


Figure 1 YCS

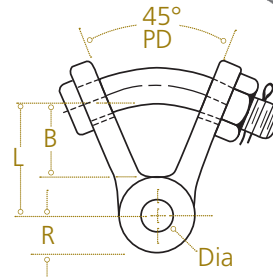


Figure 2 YCS90

All parts with 'CVN' suffix are charpy level 1 compliant (minimum energy absorption values of 20 Joules at -20°C) per CSA C83-96.

Product Data

Catalog Number	Figure Number	Ultimate Strength lb (kN)	Dimensions Inches (mm)						Approx Wt Each lb (kg)
			B	L	W	R	PD	DIAMETER	
YCS06CVN	1	30,000 (133)	1.295 (32.9)	2.793 (70.9)	3/4 (19.1)	13/16 (20.65)	3/4 (19.1)	13/16 (20.65)	1.7 (.77)
YCS059030CVN	2	30,000 (133)	1.586 (40.3)	2.396 (60.9)	0.59 (15)	13/16 (20.65)	3/4 (19.1)	11/16 (17.5)	2.0 (.91)
YCS0690CVN	2	25,000 (111)	1-5/8 (41.3)	2-7/16 (52.8)	3/4 (19.1)	13/16 (20.65)	3/4 (19.1)	11/16 (17.5)	2.2 (1.0)
YCS1090CVN	2	30,000 (133)	1-5/8 (41.3)	2-7/16 (52.8)	1 (25.4)	13/16 (20.65)	3/4 (19.1)	11/16 (17.5)	2.5 (1.13)
YCS109013CVN	2	30,000 (133)	1-5/8 (41.3)	2-7/16 (52.8)	1 (25.4)	13/16 (20.65)	3/4 (19.1)	13/16 (20.65)	2.5 (1.13)
YCS11CVN	1	30,000 (133)	1.295 (32.9)	2.79 (70.9)	1-1/8 (28.6)	13/16 (20.65)	3/4 (19.1)	11/16 (17.5)	2.0 (.91)
YCS1390CVN	2	30,000 (133)	1.593 (40.5)	2-13/32 (61.1)	1-3/8 (35.1)	13/16 (20.65)	3/4 (19.1)	11/16 (17.5)	2.65 (1.20)
YCS1690CVN	2	30,000 (133)	1-5/8 (41.3)	2-7/16 (52.8)	1-3/4 (44.5)	13/16 (20.65)	3/4 (19.1)	11/16 (17.5)	3.35 (1.52)
YCS109050CVN	2	50,000 (222)	1-5/8 (41.3)	2-7/16 (52.8)	1 (25.4)	13/16 (20.65)	7/8 (22.2)	15/16 (23.8)	2.70 (1.22)
YCS2290CVN	2	30,000 (133)	1.59 (40.5)	2.41 (61.1)	2-1/4 (57.2)	13/16 (20.65)	3/4 (19.1)	11/16 (17.5)	3.5 (1.6)
YCS2490CVN	2	30,000 (133)	1.59 (40.5)	2.41 (61.1)	2-1/2 (63.5)	13/16 (20.65)	3/4 (19.1)	11/16 (17.5)	3.7 (1.7)

NOTE: Furnished with Bent Bolt, Nut, and Cotter Pin

Hardware Fittings — Forged Steel

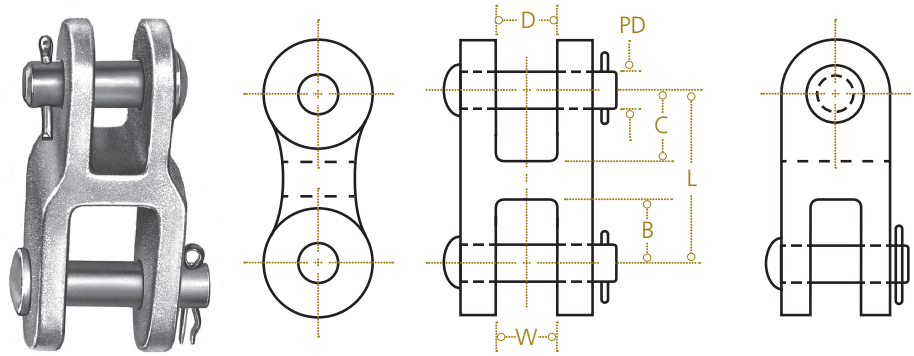
Clevis Clevis

FORGED STEEL

CCC

Clevis clevises are used to attach clevis tongue insulators to various associated hardware within an insulator string.

Material: Body – galvanized forged steel
 Hardware – galvanized steel
 Cotter Pin – stainless steel



Type CCC

Type CCC90

All parts with 'CVN' suffix are charpy level 1 compliant (minimum energy absorption values of 20 Joules at -20°C) per CSA C83-96.

Product Data

Catalog Number	Ultimate Strength lb (kN)	Dimensions Inches (mm)						Approx Wt Each lb (kg)
		L	B	C	W	D	PD	
CCC30BNKCVN	30,000 (133)	4 (101.6)	1-3/4 (44.5)	1-3/4 (44.5)	7/8 (22.2)	7/8 (22.2)	5/8 (15.8)	2.8 (1.3)
CCC3090BNKCVN	30,000 (133)	3 (76.2)	1-3/8 (35.1)	1-3/8 (35.1)	7/8 (22.2)	7/8 (22.2)	5/8 (15.8)	2.8 (1.3)

NOTE: *BNK - Bolt, Nut, and Cotter Pin included

Hardware Fittings — Forged Steel

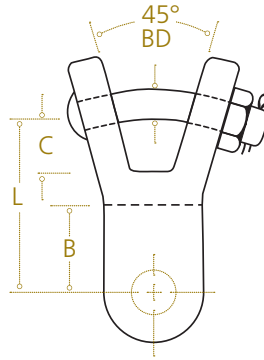
Y-Clevis Clevis

Y-clevis clevises are used to attach clevis tongue insulators to various associated hardware within an insulator string. The bent bolt in the Y-clevis section provides an additional point of articulation within an assembly.

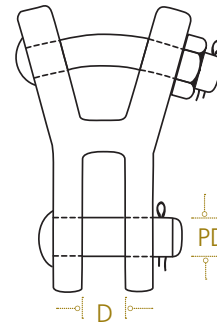
Material: Body – galvanized forged steel
Hardware – galvanized steel

FORGED STEEL

YCC



Type YCC90



Type YCC



All parts with 'CVN' suffix are charpy level 1 compliant (minimum energy absorption values of 20 Joules at -20°C) per CSA C83-96.

Product Data

Catalog Number	Ultimate Strength lb (kN)	Dimensions Inches (mm)						Approx Wt Each lb (kg)
		D	L	B	C	PD	BD	
YCC3090LBNKCVN	30,000 (133)	7/8 (22.2)	3-5/8 (92.1)	1-3/4 (44.5)	1.46 (37.1)	5/8 (15.8)	3/4 (19.1)	3.7 (1.7)

NOTE: *BNK - Furnished with Bolt, Nut, and Cotter Pin

Hardware Fittings — Forged Steel

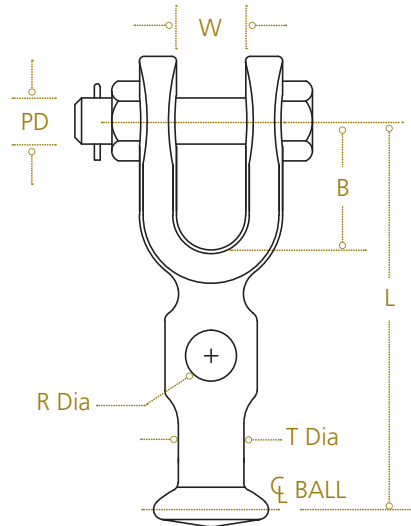
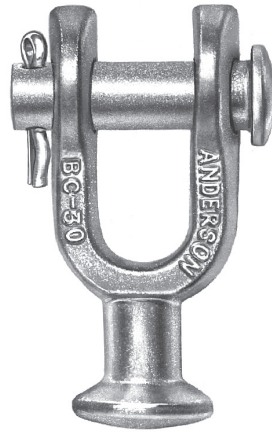
Ball Clevis

FORGED STEEL

BC

Ball clevises are often used to attach ball and socket insulators to other associated tower hardware.

Material: Body – galvanized steel
Hardware – galvanized steel
Cotter Pin – stainless steel



All IEC fittings and parts with 'CVN' suffix are charpy level 1 compliant (minimum energy absorption values of 20 joules at -20°C) per CSA C83-96. It is generally accepted that IEC 16MM and ANSI 52-3 & 52-5 are interchangeable.

Product Data

Catalog Number	Ultimate Strength lb (kN)	Dimensions Inches (mm)						Fitting Class	Approx Wt Each lb (kg)
		L	B	W	PD	T DIA	R DIA		
BC133BNK	30,000 (133)	3.45 (87.6)	1-3/4 (44.5)	15/16 (23.8)	5/8 (15.8)	0.67 (17.0)	--	IEC 16MM	1.4 (.64)
BC50BNKCVN	50,000 (222)	4.31 (109.5)	1-15/16 (49.2)	15/16 (23.8)	7/8 (22.2)	57/64 (22.6)	--	ANSI 52-8 & 52-11	1.7 (.79)
*BC50BNKAHMCVN	50,000 (222)	6-1/2 (165)	1-15/16 (49.2)	15/16 (23.8)	7/8 (22.2)	57/64 (22.6)	9/16 (14.3)	ANSI 52-8 & 52-11	6.6 (3.0)
BC222BNK	50,000 (222)	4.33 (110)	2-1/8 (54)	1 (25.4)	3/4 (19.1)	0.827 (21.0)	--	IEC 20MM	1.8 (.82)
BC300BNK	67,500 (300)	5.09 (129.3)	2.92 (74.3)	1.12 (28.5)	1 (25.4)	0.984 (25.0)	--	IEC 24MM	6.6 (3.0)
BC400BNK	90,000 (400)	5-1/2 (140)	2.74 (69.5)	1.12 (28.5)	1-1/4 (31.8)	1-9/64 (29.0)	--	IEC 28MM	6.9 (3.13)
BC530BNK	120,000 (530)	5.984 (152)	3.189 (81.0)	2.047 (52.0)	1-1/4 (31.8)	1.299 (33.0)	--	IEC 32MM	7.3 (3.31)

NOTE: * Clevis is type BNK - Bolt, Nut and Cotter Pin included

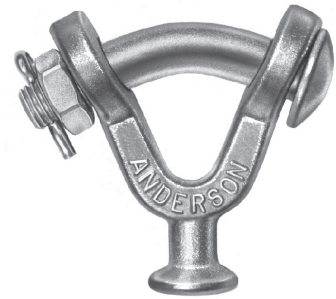
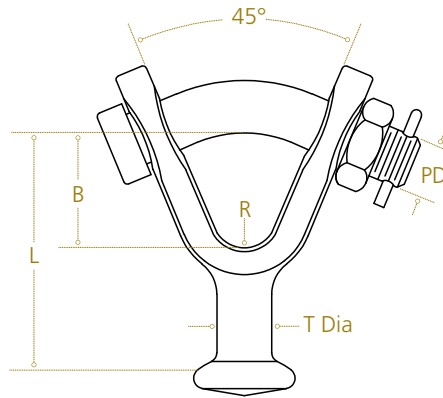
NOTE: ** Type AHM - Arcing Horn Mount location on part

Hardware Fittings — Forged Steel

Ball Y-Clevis

Ball Y-clevises are often used to attach ball and socket insulators to other associated hardware. The bent bolt in the Y-clevis section provides an additional point of articulation.

Material: Body – galvanized steel
Hardware – galvanized steel
Cotter Pin – stainless steel



FORGED STEEL

YBC

All IEC fittings and parts with 'CVN' suffix are charpy level 1 compliant (minimum energy absorption values of 20 joules at -20°C) per CSA C83-96. It is generally accepted that IEC 16MM and ANSI 52-3 & 52-5 are interchangeable.

Product Data

Catalog Number	Ultimate Strength lb (kN)	Dimensions Inches (mm)					Fitting Class	Approx Wt Each lb (kg)
		L	B	R	PD	T DIA		
YBC30CVN	30,000 (133)	3-3/32 (78.5)	1-1/2 (35.1)	13/32 (13.5)	3/4 (19.1)	23/32 (18.3)	ANSI 52-3 & 52-5	1.78 (.81)
YBC133	30,000 (133)	3.07 (78)	1-3/8 (34.9)	0.465 (11.8)	3/4 (19.1)	0.67 (17)	IEC 16MM	1.7 (.79)
YBC50CVN	50,000 (222)	3-15/16 (100)	1-13/16 (46)	17/32 (13.5)	7/8 (22.2)	57/64 (22.6)	ANSI 52-8 & 52-11	2.0 (.91)
YBC222	50,000 (222)	3.83 (97.4)	1-5/8 (41.3)	1/2 (12.7)	1 (25.4)	0.83 (21)	IEC 20MM	2.0 (.91)
YBC66CVN	67,500 (300)	4-3/4 (120.7)	2 (50.8)	5/8 (15.8)	1-1/8 (28.6)	0.98 (25)	IEC 24MM	6.3 (2.9)

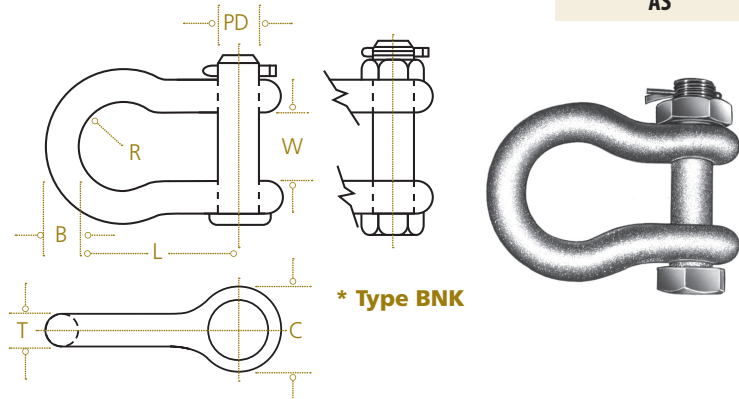
NOTE: Furnished with Bent Bolt, Nut, and Cotter Pin

Hardware Fittings — Forged Steel

Anchor Shackle

Anchor shackles are often used to attach hardware to the tower pad. Back to back anchor shackles are commonly used at the tower attachment point to orient the plane of the tower plate and the balance of the insulator hardware.

Material: Body – galvanized steel
Hardware – galvanized steel
Cotter Pin – stainless steel



All parts with 'CVN' suffix are charpy level 1 compliant (minimum energy absorption values of 20 Joules at -20°C) per CSA C83-96.

Product Data

Catalog Number	Ultimate Strength lb (kN)	Dimensions Inches (mm)							Approx Wt Each lb (kg)
		L	B	W	C	T	R	PD	
AS25BNKCVN	30,000 (133)	2-3/8 (60.3)	5/8 (15.8)	7/8 (22.2)	1-3/8 (34.9)	1/2 (12.7)	11/16 (17.6)	5/8 (15.8)	.86 (.39)
AS25LBNKCVN	30,000 (133)	2-25/32 (70.6)	5/8 (15.8)	7/8 (22.2)	1-3/8 (34.9)	1/2 (12.7)	21/32 (16.7)	5/8 (15.8)	1.14 (.52)
AS35BNKCVN	40,000 (178)	2-25/32 (70.6)	11/16 (17.6)	1-1/16 (27)	1-11/16 (43)	5/8 (15.8)	3/4 (19.1)	3/4 (19.1)	1.74 (.79)
AS50BNKCVN	60,000 (267)	3-1/2 (88.9)	7/8 (22.2)	7/8 (22.2)	1-7/8 (47.6)	3/4 (19.1)	3/4 (19.1)	3/4 (19.1)	2.5 (1.13)
AS50WBNKCVN	60,000 (267)	3-1/2 (88.9)	7/8 (22.2)	1-1/4 (31.8)	1-15/16 (49.2)	3/4 (19.1)	1 (25.4)	7/8 (22.2)	3.0 (1.36)
AS60875BNKCVN	72,000 (320)	3-3/4 (95.3)	31/32 (24.6)	1-7/16 (36.5)	2-1/8 (54)	7/8 (22.2)	1-1/8 (28.6)	7/8 (22.2)	4.1 (1.86)
AS60BNKCVN	80,000 (356)	3-3/4 (95.3)	31/32 (24.6)	1-7/16 (36.5)	2-1/8 (54)	7/8 (22.2)	1-1/8 (28.6)	1 (25.4)	4.3 (1.95)
*976743001CVN	100,000 (445)	4-5/16 (109.5)	1 (25.4)	1-11/16 (43)	2-3/8 (60.3)	1 (25.4)	1-11/32 (34.1)	1-1/8 (28.6)	5.9 (2.69)
*974153001CVN	120,000 (534)	6 (152.4)	1 (25.4)	1-1/2 (38.1)	2-3/8 (60.3)	1 (25.4)	1-1/16 (27)	1-1/8 (28.6)	7.0 (3.2)
AS135N1375BNKCVN	135,000 (600)	6 (152.4)	1-1/2 (38.1)	1-5/8 (41.3)	3-3/8 (85.7)	1-3/8 (34.9)	1-3/4 (44.5)	1-3/8 (34.9)	14.1 (6.4)
AS135BNKCVN	150,000 (667)	6 (152.4)	1-1/2 (38.1)	2-1/4 (54)	3-3/8 (85.7)	1-3/8 (34.9)	1-13/16 (46)	1-1/2 (38.1)	16 (7.3)
AS225BNKCVN	225,000 (1000)	6-9/16 (166.6)	1-1/2 (38.1)	2-3/8 (60.3)	3-1/2 (88.9)	1-1/2 (38.1)	1-7/8 (47.6)	1-5/8 (41.3)	17 (7.7)

NOTE: Shackle is type BNK - Bolt, Nut and Cotter Pin included

Hardware Fittings — Forged Steel

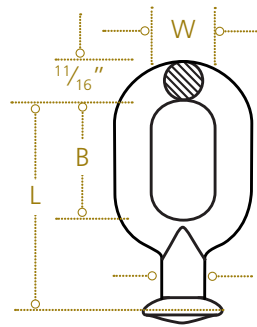
Ball Eyes

FORGED STEEL

BE

Ball eyes are often used to attach ball and socket insulators to other associated hardware.

Material: Body – galvanized steel



All IEC fittings and parts with 'CVN' suffix are Charpy level 1 compliant (minimum energy absorption values of 20 joules at -20°C) per CSA C83-96. It is generally accepted that IEC 16MM and ANSI 52-3 & 52-5 are interchangeable.

Product Data

Catalog Number	Ultimate Strength lb (kN)	Dimensions Inches (mm)				Fitting Size	Approx Wt Each lb (kg)
		L	B	W	T		
BE30CVN	30,000 (133)	4-13/32 (112)	2 (50.8)	1 (25.4)	11/16 (17.5)	ANSI 52-3 & 52-5	1.30 (.59)
909462000CVN	50,000 (222)	4-1/2 (114.3)	2-1/2 (63.5)	1-1/4 (31.8)	3/4 (19.1)	ANSI 52-8 & 52-11	1.60 (.73)
BE222	50,000 (222)	4.528 (115.0)	2.4 (61.0)	1-1/4 (31.8)	0.83 (21.0)	IEC 20MM	1.53 (.69)

Hardware Fittings — Forged Steel

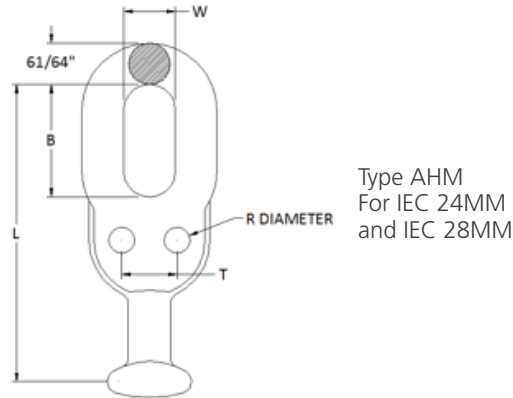
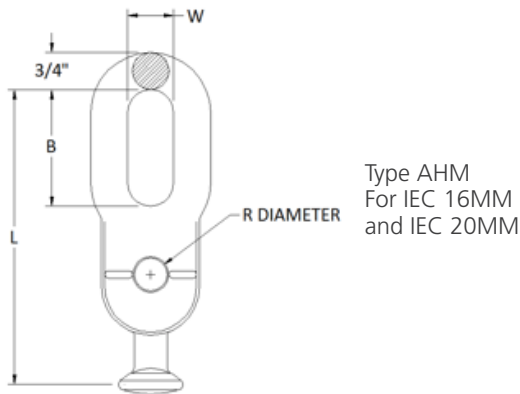
Ball Eye with AHM

FORGED STEEL

BE/AHM

Ball clevises are often used to attach ball and socket insulators to other associated tower hardware. Types "AHM" are designed for an arcing horn to be mounted to the body.

Material: Body – galvanized steel



All IEC fittings and parts with 'CVN' suffix are charpy level 1 compliant (minimum energy absorption values of 20 joules at -20°C) per CSA C83-96. It is generally accepted that IEC 16MM and ANSI 52-3 & 52-5 are interchangeable.

Product Data

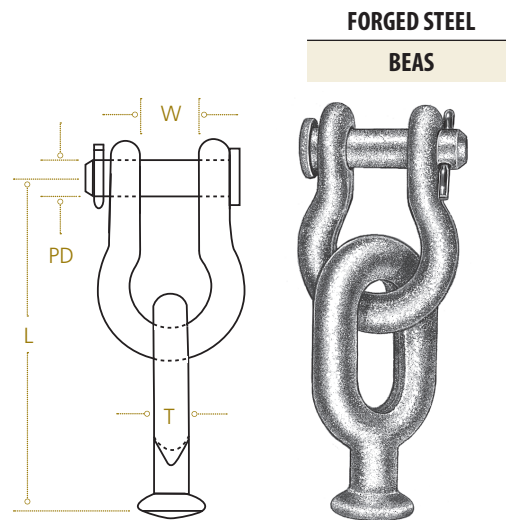
Catalog Number	Ultimate Strength lb (kN)	Dimensions Inches (mm)					Fitting Class	Approx Wt Each lb (kg)
		L	B	W	R DIA	T		
BE133AHM	30,000 (133)	6 (152.4)	2-3/8 (60.3)	15/16 (23.8)	0.67 (17.0)	--	IEC 16MM	1.93 (.88)
BE222AHM	50,000 (222)	6.54 (166)	2-1/2 (63.5)	1-1/4 (31.8)	0.67 (17.0)	--	IEC 20MM	2.25 (1.02)
BE300AHM	67,500 (300)	6.78 (172)	2.56 (65)	1.19 (30.0)	0.60 (15.0)	1-17/64 (32.3)	IEC 24MM	3.37 (1.53)
BE400AHM	90,000 (400)	6.78 (172)	2.56 (65)	1.19 (30)	0.60 (15)	1.26 (32)	IEC 28MM	3.80 (1.72)

Hardware Fittings — Forged Steel

Ball Oval-Eye Anchor Shackle Combination

Ball oval-eye anchor shackle combinations are popular combinations which are sold as assemblies to save field assembly time. Contact factory for other pre-assembled combinations.

Material: Body – galvanized steel



All IEC fittings and parts with 'CVN' suffix are charpy level 1 compliant (minimum energy absorption values of 20 joules at -20°C) per CSA C83-96. It is generally accepted that IEC 16MM and ANSI 52-3 & 52-5 are interchangeable.

Product Data

Catalog Number	Ultimate Strength lb (kN)	Dimensions Inches (mm)				Approx Wt Each lb (kg)
		W	L	T	PD	
BE30AS25BNKCVN	30,000 (133)	7/8 (22.2)	5-29/32 (150)	11/16 (17.5)	5/8 (15.9)	1.74 (.79)
BE30AS35BNKCVN	30,000 (133)	1-1/16 (27)	6-1/2 (165.1)	11/16 (17.5)	3/4 (19.1)	2.5 (1.13)
BE30AS50BNKCVN	30,000 (133)	7/8 (22.2)	7-7/32 (183.4)	11/16 (17.5)	3/4 (19.1)	3.35 (1.52)

NOTE: For use with class 52-3 and 52-5 insulators per ANSI Spec. C-29.2-71. Other combinations may be used, contact factory for additional information.

NOTE: *BNK - Bolt, Nut and Cotter Pin included

Hardware Fittings — Forged Steel

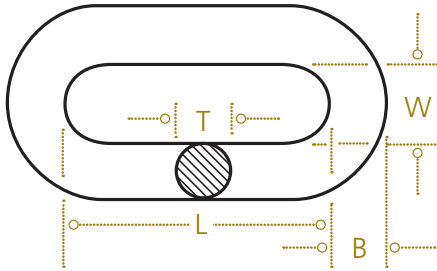
Chain Eye

FORGED STEEL

LK

Links are often used to maintain proper tower clearance and connect associated hardware within an insulator string.

Material: Body – galvanized steel



All parts with 'CVN' suffix are charpy level 1 compliant (minimum energy absorption values of 20 Joules at -20°C) per CSA C83-96.

Product Data

Catalog Number	Ultimate Strength lb (kN)	Dimensions Inches (mm)				Approx Wt Each lb (kg)
		L	B	W	T	
LK30CVN	30,000 (133)	2-1/4 (57.2)	1/2 (12.7)	1 (25.4)	1/2 (12.7)	0.50 (.23)
LK60CVN	60,000 (267)	3-1/2 (88.9)	3/4 (19.1)	1 (25.4)	3/4 (19.1)	1.3 (.59)
LK80CVN	80,000 (356)	4 (101.6)	7/8 (22.2)	1-1/4 (31.8)	7/8 (22.2)	2.1 (.95)
LK120CVN	120,000 (534)	4 (101.6)	1 (25.4)	1-1/4 (31.8)	1 (25.4)	3.1 (1.4)
LK150CVN	150,000 (667)	5-1/2 (140)	1-3/8 (35.1)	1-3/4 (44.5)	1-1/4 (31.8)	7.0 (3.2)
LK200CVN	200,000 (890)	12 (304.8)	1-5/8 (41.3)	2-1/4 (57.2)	1-3/8 (35.1)	18.7 (8.5)

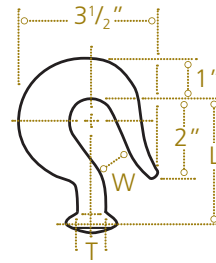
Hardware Fittings — Forged Steel

Hooks

Hooks are used to attach ball and socket or clevis insulators directly to the tower attachment pad. All hooks are of the self-locking design.



HBL



HBL30

FORGED STEEL

HB

All IEC fittings and parts with 'CVN' suffix are charpy level 1 compliant (minimum energy absorption values of 20 joules at -20°C) per CSA C83-96. It is generally accepted that IEC 16MM and ANSI 52-3 & 52-5 are interchangeable.

Product Data

Catalog Number	Ultimate Strength lb (Kn)	Dimensions Inches (mm)			Approx Wt Each lb (kg)
		L	W	T	
HB133L	30,000 (133)	2 (50.8)	0.90 (22.9)	0.67 (17)	1.3 (.59)

Hardware Fittings — Forged Steel

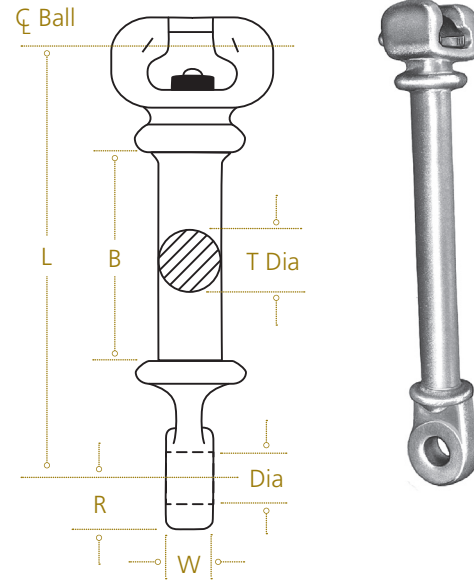
Hot Line Socket Eye

FORGED STEEL

HSE

Hot line socket eyes are often used to connect ball and socket insulators to other associated hardware. Shoulders are provided to accommodate hot line tools.

Material: Body – galvanized steel
Cotter Pin – stainless steel



All IEC fittings and parts with 'CVN' suffix are charpy level 1 compliant (minimum energy absorption values of 20 joules at -20°C) per CSA C83-96. It is generally accepted that IEC 16MM and ANSI 52-3 & 52-5 are interchangeable.

Product Data

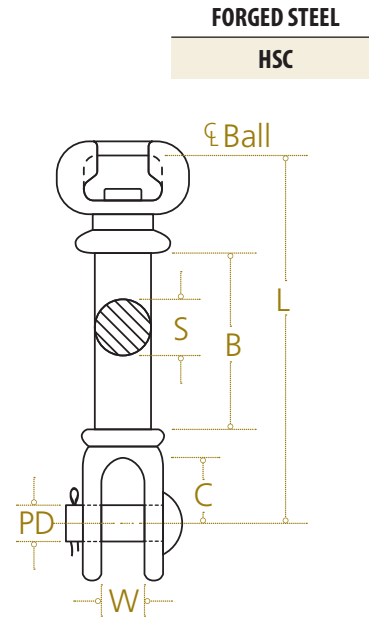
Catalog Number	Ultimate Strength lb (kN)	Dimensions Inches (mm)						Fitting Class	Approx Wt Each lb (kg)
		L	B	W	R	T DIA	DIAMETER		
HSE10005CVN	30,000 (133)	9-27/32 (250)	5-15/16 (151)	5/8 (15.8)	7/8 (22.2)	7/8 (22.2)	11/16 (17.5)	ANSI 52-3 & 52-5	3.1 (1.4)
HSE100105CVN	30,000 (133)	10 (254)	6-1/4 (159)	1-1/4 (31.8)	1 (25.4)	7/8 (22.2)	1-1/16 (27)	ANSI 52-3 & 52-5	3.5 (1.6)
HSE1001550CVN	50,000 (222)	10 (254)	6-1/2 (165.1)	1-5/8 (41.3)	1 (25.4)	1 (25.4)	1-1/16 (27)	ANSI 52-8 & 52-11	5.4 (2.5)
HSE30010	67,500 (300)	10 (254)	6-1/16 (155.7)	1 (25.4)	1.18 (30)	1 (25.4)	1-1/16 (27)	IEC 24MM	6.2 (2.8)

Hardware Fittings — Forged Steel

Hot Line Extension Socket Clevis

Hot line socket clevis are often used to connect ball and socket insulators to other associated hardware. Shoulders are provided to accommodate hot line tools.

Material: Body – galvanized steel
Hardware – galvanized steel
Cotter Pin – stainless steel



All IEC fittings and parts with 'CVN' suffix are charpy level 1 compliant (minimum energy absorption values of 20 joules at -20°C) per CSA C83-96. It is generally accepted that IEC 16MM and ANSI 52-3 & 52-5 are interchangeable.

Product Data

Catalog Number	Ultimate Strength lb (kN)	Dimensions Inches (mm)						Fitting Class	Approx Wt Each lb (kg)
		L	B	C	W	PD	S		
HSC083BNKCVN	30,000 (133)	8-3/8 (212.7)	5 (127)	1-3/4 (44.5)	15/16 (23.8)	5/8 (15.8)	7/8 (22.2)	ANSI 52-3 & 52-5	3.3 (1.5)
HSC100BNKCVN	30,000 (133)	10 (254)	5-27/32 (148.4)	1-11/16 (42.9)	7/8 (22.2)	5/8 (15.8)	7/8 (22.2)	ANSI 52-3 & 52-5	3.8 (1.7)
HSC133BNK	30,000 (133)	8-3/8 (212.7)	5 (127)	1-3/4 (44.5)	15/16 (23.8)	5/8 (15.8)	7/8 (22.2)	IEC 16MM	3.7 (1.7)
HSC110501BNKCVN	50,000 (222)	11 (279.4)	6-13/16 (173)	2 (50.8)	1-5/16 (33.3)	7/8 (22.2)	1-3/16 (30.2)	ANSI 52-8 & 52-11	8.3 (3.8)
HSC110503BNKCVN	50,000 (222)	11 (279.4)	6-13/16 (173)	2 (50.8)	15/16 (23.8)	7/8 (22.2)	1-3/16 (30.2)	ANSI 52-8 & 52-11	8.2 (3.7)
HSC222BNK	50,000 (222)	12.2 (310)	7-3/8 (187.5)	2-1/8 (53.4)	1 (25.4)	3/4 (19.1)	7/8 (22.2)	IEC 20MM	6.2 (2.8)
HSC300BNK	67,500 (300)	11.4 (290)	5.32 (135)	2.54 (64.5)	1-3/8 (35)	1 (25.4)	1-1/8 (28.6)	IEC 24MM	9.8 (4.5)
HSC400BNK	90,000 (400)	11.8 (300)	5.6 (142.2)	2.97 (75.5)	1-11/16 (42.9)	1-1/4 (31.8)	1-1/8 (28.6)	IEC 28MM	10.2 (4.6)

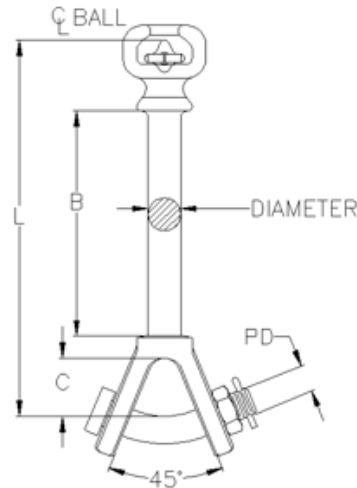
NOTE: *BNK - Bolt, Nut and Cotter Pin included

Hardware Fittings — Forged Steel

Hot Line Socket Y-Clevis

Hot line socket Y-clevises are often used to attach ball and socket insulators to other associated hardware. Shoulders are provided to accommodate hot line tools and the bent bolt in the Y-section provides an additional point of articulation within an assembly.

Material: Body – galvanized steel
 Hardware – galvanized steel
 Cotter Pin – stainless steel



FORGED STEEL
HSYC



All IEC fittings and parts with 'CVN' suffix are charpy level 1 compliant (minimum energy absorption values of 20 joules at -20°C) per CSA C83-96. It is generally accepted that IEC 16MM and ANSI 52-3 & 52-5 are interchangeable.

Product Data

Catalog Number	Ultimate Strength lb (kN)	Dimensions Inches (mm)					Fitting Class	Approx Wt Each lb (kg)
		L	B	C	PD	Diameter		
HSYC30CVN	30,000 (133)	9-11/16 (246)	6 (152.4)	1-9/16 (39.7)	3/4 (19.1)	7/8 (22.2)	ANSI 52-3 & 52-5	4.76 (2.16)
HSYC133	30,000 (133)	8-3/16 (208)	5 (127)	1-9/16 (39.7)	3/4 (19.1)	7/8 (22.2)	IEC 16MM	3.90 (1.77)
HSYC50CVN	50,000 (222)	10-5/16 (262)	5-29/32 (150)	1-5/8 (41.3)	7/8 (22.2)	1-3/16 (30.2)	ANSI 52-8 & 52-11	8.0 (3.63)

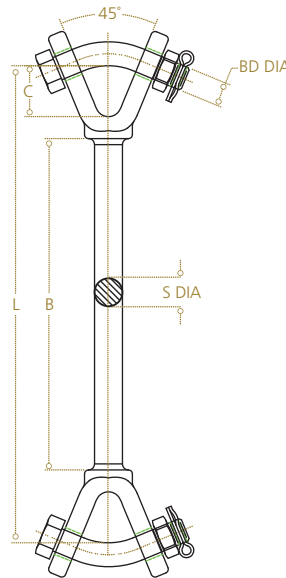
NOTE: Furnished with Bent Bolt, Nut, and Cotter Pin

Hardware Fittings — Forged Steel

Hot Line Y-Y-Clevis

Hot line Y-Y-clevis is used to connect associated hardware within an insulator string or connecting deadend clamps to yoke plates providing clearances for jumper ends. Shoulders are provided to accommodate hot line tools and the bent bolts in the Y-clevises provide additional points of articulation within an assembly.

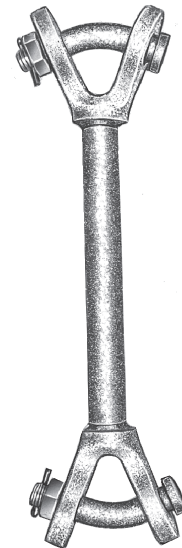
Material: Body – galvanized forged steel
 Hardware – galvanized steel
 Cotter Pin – stainless steel



Type HYCC

FORGED STEEL

HYCC



All parts with 'CVN' suffix are charpy level 1 compliant (minimum energy absorption values of 20 Joules at -20°C) per CSA C83-96.

Product Data

Catalog Number	Ultimate Strength lb (kN)	Dimensions Inches (mm)					Approx Wt Each lb (kg)
		L	B	C	BD Diameter	S Diameter	
HYCC3015CVN	30,000 (133)	15 (381)	10 ³ / ₈ (263.7)	1-19/32 (40.5)	³ / ₄ (19.1)	⁷ / ₈ (22.2)	6.6 (3.0)

NOTE: Furnished with Bent Bolt, Nut, and Cotter Pin.

Hardware Fittings — Forged Steel

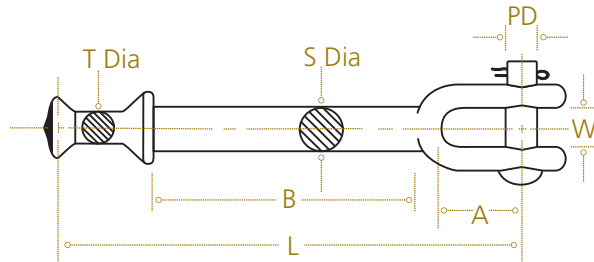
Hot Line Clevis Ball

FORGED STEEL

HBC

Hot line ball clevises are often used to attach ball and socket insulators to other associated hardware within an insulator string. Shoulders are provided to accommodate hot line tools.

Material: Body – galvanized steel
 Hardware – galvanized steel
 Cotter Pin – stainless steel



All IEC fittings and parts with 'CVN' suffix are charpy level 1 compliant (minimum energy absorption values of 20 joules at -20°C) per CSA C83-96. It is generally accepted that IEC 16MM and ANSI 52-3 & 52-5 are interchangeable.

Product Data

Catalog Number	Ultimate Strength lb (kN)	Dimensions Inches (mm)							Fitting Class	Approx Wt Each lb (kg)
		A	L	B	W	PD	S DIA	T DIA		
HBC30BNKCVN	30,000 (133)	1-3/4 (44.5)	9-9/16 (242.9)	5-7/8 (149.2)	15/16 (23.8)	5/8 (15.8)	7/8 (22.2)	23/32 (18.3)	ANSI 52-3 & 52-5	2.5 (1.13)
HBC50BNKCVN	50,000 (222)	1-7/8 (28.6)	10-1/16 (255.6)	5-3/8 (136.5)	15/16 (23.8)	7/8 (22.2)	7/8 (22.2)	57/64 (22.6)	ANSI 52-8 & 52-11	3.6 (1.63)
HBC133BNK	30,000 (133)	1-3/4 (44.5)	9.65 (245)	5-1/16 (128.6)	15/16 (23.8)	5/8 (15.8)	7/8 (22.2)	0.67 (17)	IEC 16MM	2.7 (1.22)
HBC222BNK	50,000 (222)	2-1/4 (54)	11-1/2 (292)	6-5/8 (168)	1 (25.4)	3/4 (19.1)	7/8 (22.2)	0.83 (21)	IEC 20MM	4.0 (1.8)
HBC300BNK	67,500 (300)	2.54 (64.5)	11.42 (290)	5.32 (135)	1-3/8 (35.1)	1 (25.4)	1.14 (29)	63/64 (25)	IEC 24MM	7.5 (3.4)
HBC400BNK	90,000 (400)	2.46 (62.5)	11.42 (290)	5.16 (131)	1-11/16 (43)	1-1/4 (31.8)	1.14 (29)	1.14 (29)	IEC 28MM	9.2 (4.2)
HBC530BNK	120,000 (530)	3.19 (81)	12.21 (310)	5.39 (136.8)	2.05 (52)	1-1/4 (31.8)	1.30 (33)	1.30 (33)	IEC 32MM	11.2 (5.1)

NOTE: *BNK - Bolt, Nut and Cotter Pin included

Hardware Fittings — Forged Steel

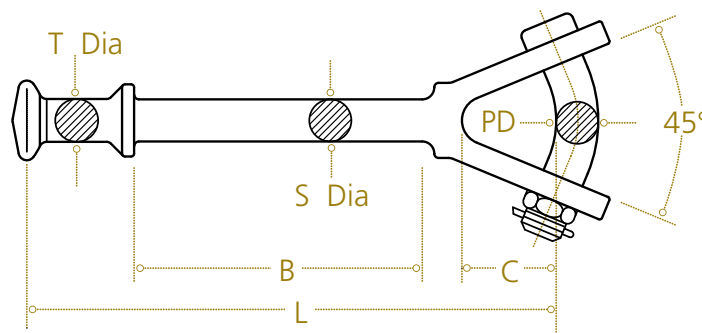
Hot Line Y-Clevis Ball

Hot line Y-clevis balls are often used to attach ball and socket insulators to other associated hardware within an insulator string. Shoulders are provided to accommodate hot line tools and the bent bolt in the Y-section provides an additional point of articulation within an assembly.

Material: Body – galvanized steel
 Hardware – galvanized steel
 Cotter Pin – stainless steel

FORGED STEEL

HYBC



All IEC fittings and parts with 'CVN' suffix are Charpy level 1 compliant (minimum energy absorption values of 20 joules at -20°C) per CSA C83-96. It is generally accepted that IEC 16MM and ANSI 52-3 & 52-5 are interchangeable.

Product Data

Catalog Number	Ultimate Strength lb (kN)	Dimensions Inches (mm)						Fitting Class	Approx Wt Each lb (kg)
		L	B	C	PD	S DIA	T DIA		
HYBC30CVN	30,000 (133)	9-5/16 (236.5)	5-3/8 (136.5)	1-1/2 (38.1)	3/4 (19.1)	7/8 (22.2)	23/32 (18.3)	ANSI 52-3 & 52-5	2.95 (1.34)
HYBC5011CVN	50,000 (222)	11 (279.4)	6-13/16 (173)	1-11/16 (43)	7/8 (22.2)	7/8 (22.2)	57/64 (22.6)	ANSI 52-8 & 52-11	4.33 (1.96)
HYBC133	30,000 (133)	9-9/64 (232)	5-1/16 (128.6)	1-1/4 (31.8)	3/4 (19.1)	7/8 (22.2)	0.67 (17)	IEC 16MM	2.95 (1.34)
HYBC222	50,000 (222)	11 (279.4)	6-5/8 (168)	1-5/8 (41.3)	1 (25.4)	7/8 (22.2)	0.83 (21)	IEC 20MM	3.55 (1.61)
HYBC300	67,500 (300)	11.42 (290)	5.85 (149)	1.65 (41.83)	1-1/4 (31.8)	1 (25.4)	63/64 (25)	IEC 24MM	4.5 (2.04)
HYBC400	90,000 (400)	11.8 (300)	5.42 (138)	2.46 (62.5)	1-1/2 (38.1)	1-1/8 (28.6)	1.14 (29)	IEC 28MM	11.2 (5.1)

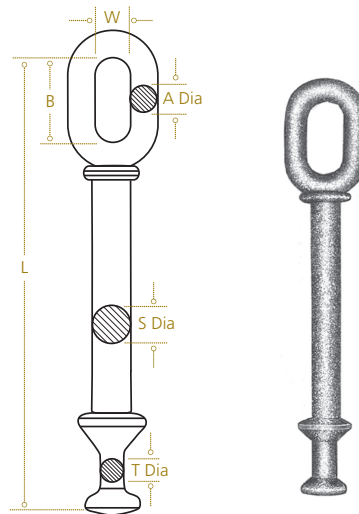
NOTE: Furnished with Bent Bolt, Nut, and Cotter Pin.

Hardware Fittings — Forged Steel

Hot Line Oval-Eye Ball

Hot line oval-eye ball is used to attach ball and socket insulators to other associated hardware within an insulator string. Shoulders are provided to accommodate hot line tools.

Material: Body – galvanized steel



FORGED STEEL

HOEB

All IEC fittings and parts with 'CVN' suffix are charpy level 1 compliant (minimum energy absorption values of 20 joules at -20°C) per CSA C83-96. It is generally accepted that IEC 16MM and ANSI 52-3 & 52-5 are interchangeable.

Product Data

Catalog Number	Ultimate Strength lb (kN)	Dimensions Inches (mm)						Fitting Class	Approx Wt Each lb (kg)
		L	B	W	A DIA	S DIA	T DIA		
HOEB3011CVN	30,000 (133)	11 (279.4)	2-1/8 (54)	15/16 (23.8)	11/16 (17.5)	7/8 (22.2)	23/32 (18.3)	ANSI 52-3 & 52-5	3.5 (1.59)
HOEB22212	50,000 (222)	11 (279.4)	2-1/2 (50.8)	1-1/8 (28.6)	15/16 (23.8)	7/8 (22.2)	0.83 (21)	IEC 20MM	3.6 (1.63)
HOEB30012	67,500 (300)	13 (330)	3 (76.2)	1-3/8 (34.9)	1 (25.4)	1 (25.4)	63/64 (25)	IEC 24MM	5.4 (2.45)

Hardware Fittings — Forged Steel

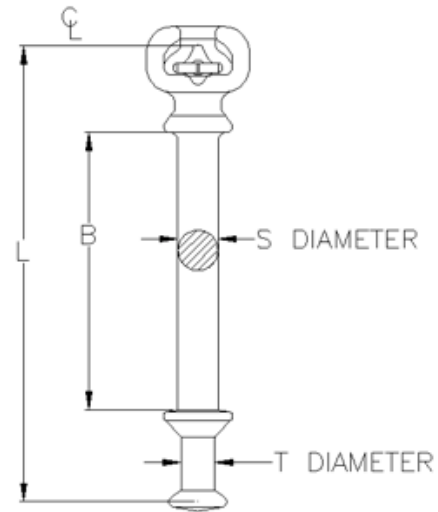
Hot Line Socket Ball

FORGED STEEL

HSB

Hot line socket balls are often used to connect ball and socket insulators to other associated hardware. Shoulders are provided to accommodate hot line tools.

Material: Body – galvanized steel
Cotter Pin – stainless steel



All IEC fittings and parts with 'CVN' suffix are charpy level 1 compliant (minimum energy absorption values of 20 joules at -20°C) per CSA C83-96. It is generally accepted that IEC 16MM and ANSI 52-3 & 52-5 are interchangeable.

Product Data

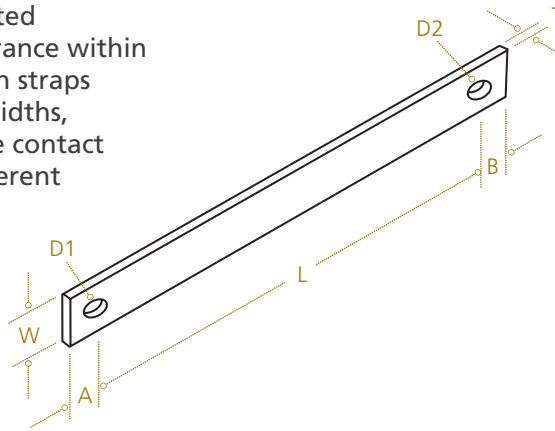
Catalog Number	Ultimate Strength lb (kN)	Dimensions Inches (mm)				Fitting Class	Approx Wt Each lb (kg)
		L	B	S DIAMETER	T DIAMETER		
HSB50CVN	50,000 (222)	12 (304.8)	8 (203)	1 (25.4)	57/64 (22.6)	ANSI 52-8 & 52-11	5.6 (2.5)
HSB133	30,000 (133)	9-3/4 (247.7)	6.04 (153.5)	7/8 (22.2)	0.67 (17)	IEC 16MM	2.9 (1.3)
HSB222	50,000 (222)	11.42 (290)	5.90 (150)	7/8 (22.2)	0.83 (21)	IEC 20MM	5.0 (2.3)
HSB300	67,500 (300)	11.42 (290)	5.51 (140)	1 (25.4)	63/64 (25)	IEC 24MM	6.4 (2.9)
HSB400	90,000 (400)	11.42 (290)	5.32 (135)	1.14 (29)	1.14 (29)	IEC 28MM	8.5 (3.9)

Hardware Fittings — Steel

Extension Strap

Extension straps are used to attach associated hardware and maintain proper tower clearance within a transmission assembly. Because extension straps may be furnished in a variety of lengths, widths, thicknesses, as well as hole spacings, please contact factory for dimensional variations and different ultimate strengths.

Material: Body – galvanized steel



STEEL
ES

All parts with 'CVN' suffix are charpy level 1 compliant (minimum energy absorption values of 20 Joules at -20°C) per CSA C83-96.

Product Data

Catalog Number	Ultimate Strength lb (kN)	Dimensions Inches (mm)							Approx Wt Each lb (kg)	
		A	B	D1	D2	W	T	L	Min L	Add Per Inch
ES307819LCVN	30,000 (133)	1 1/8 (28.6)	1 1/8 (28.6)	1 5/16 (23.8)	1 5/16 (23.8)	2 (50.8)	3/4 (19.1)	4" PLEASE SPECIFY	2.62 (1.19)	.44 (.60)
ES407819LCVN	40,000 (178)	1 1/2 (38.1)	1 1/2 (38.1)	1 5/16 (23.8)	1 5/16 (23.8)	2 1/2 (63.5)	3/4 (19.1)		3.67 (1.66)	.55 (.25)
ES607819LCVN	60,000 (267)	2 (50.8)	2 (50.8)	1 1/8 (28.6)	1 1/8 (28.6)	2 1/2 (63.5)	1 (25.4)		5.60 (2.54)	.73 (.33)
ES807819LCVN	80,000 (356)	2 (50.8)	2 (50.8)	1 1/4 (31.8)	1 1/4 (31.8)	3 (76.2)	1 (25.4)		6.72 (3.05)	.87 (.39)

NOTE: To specify catalog number, replace "L" with required length in inches. Example: ES40781936 for 40K strap 36" between hole centers.

Hardware Fittings — Forged Steel

Hot Line Extension Links

FORGED STEEL

H/F

Extension links are forged from high-strength steel and contain no welded joints. Because of the variety of fittings and lengths, links are made only to order. Please specify by catalog number and length required.

Material: Body – galvanized steel











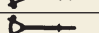



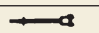






Link length available in 1/2" increments. Use letter "D" to represent decimal point in catalog number when applicable. Example: HOO3020D5 for 20.5" length.

Normal manufacturing tolerances: Up to 50" ±0.5 inch. Above 50" ±1%.

For links longer than minimum length, add to packed weight per 100 pieces, 28 pounds per inch for number HOO80L and HOOT80L. All others, add 17 pounds per inch.

All parts with "CVN" suffix have a minimum energy absorption values of 20 Joules at -20°C per CSA C83-96. BNK - Bolt, Nut, and Cotter Pin included.

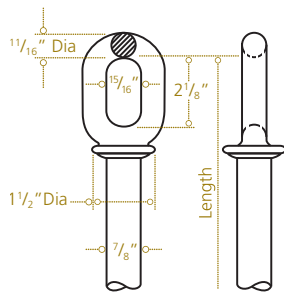
Product Data

Identification	Ultimate Strength lb (kN)	Shape And Orientation Of Ends	Catalog Number	Figure Number	Available Range of Lengths		Approx Packed Weight ⁽¹⁾ Per 100 Minimum Length lb (kg)
					Minimum Inches (mm)	Maximum Inches (mm)	
Chain Eye/Chain Eye	30,000 (133)		HOO30LCVN	1	12 (304.8)	144 (3,658)	383 (174)
			HOOT30LCVN				
	40,000 (178)		HOO40LCVN	2	12 (304.8)	144 (3,658)	383 (174)
			HOOT40LCVN				
	60,000 (267)		HOO50LCVN	3	13 (330.2)	144 (3,658)	536 (243)
			HOOT50LCVN				
	80,000 (356)		HOO80LCVN	4	14 (355.6)	144 (3,658)	616 (279)
			HOOT80LCVN				
Clevis Eye	30,000 (133)		FHCE30LBKNCVN	5 & 9	11 (279.4)	144 (3,658)	366 (166)
			FHCE30L90BNCVN				
Y-Clevis Eye	30,000 (133)		FHYCE30LCVN	7 & 9	11 (279.4)	144 (3,658)	369 (167)
			FHYCE30L90CVN				
Chain Eye/Eye	30,000 (133)		FOPE30LCVN	2 & 9	11 (279.4)	144 (3,658)	294 (133)
			FOPE30L90CVN				
Clevis/Clevis	30,000 (133)		FHCC30LBKNCVN	5	12 (304.8)	144 (3,658)	372 (169)
			FHCC30L90BNCVN				
Chain Eye/Clevis	30,000 (133)		FHOEC30LBKNCVN	2 & 5	11 (279.4)	144 (3,658)	357 (162)
			FHOEC30L90BNCVN				
	50,000 (222)		FHOEC50LBKNCVN	3 & 6	12 (304.8)	144 (3,658)	527 (239)
			FHOEC50L90BNCVN				
Chain Eye/Y-Clevis	30,000 (133)		HYCOE30LCVN	2 & 7	11 (279.4)	144 (3,658)	451 (205)
			HYCOE30L90CVN				
	50,000 (222)		HYCOE50LCVN	3 & 8	14 (355.6)	144 (3,658)	451 (205)
			HYCOE50L90CVN				
Clevis/Ball	30,000 (133)		HBC30LBKNCVN	5 & 10	10 (254)	144 (3,658)	272 (123)
Y-Clevis/Ball	30,000 (133)		HYBC30LCVN	7 & 10	11 (279.4)	144 (3,658)	342 (155)
	50,000 (222)		HYBC50LCVN	8 & 11	11 (279.4)	144 (3,658)	442 (200)
Chain Eye/Ball	30,000 (133)		HOEB30LCVN	1 & 10	11 (279.4)	144 (3,658)	323 (147)
	50,000 (222)		HOEB50LCVN	3 & 11	11 (279.4)	144 (3,658)	430 (195)

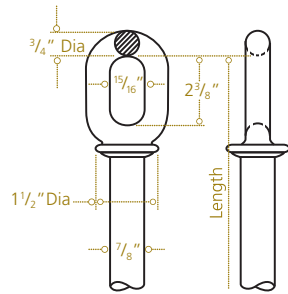
*Length in inches replaces "L" in catalog number

Hardware Fittings — Forged Steel

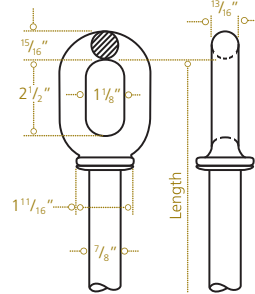
Hot Line Extension Links



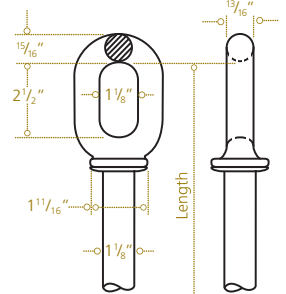
Chain Eye
Ultimate Strength – 30,000 lb
FIGURE 1



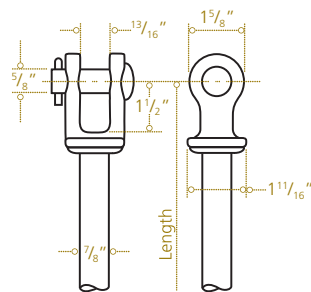
Chain Eye
Ultimate Strength – 40,000 lb
FIGURE 2



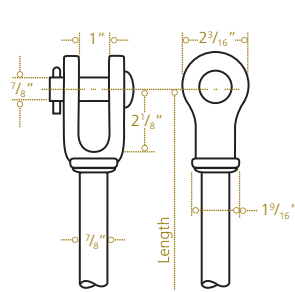
Chain Eye
Ultimate Strength – 60,000 lb
FIGURE 3



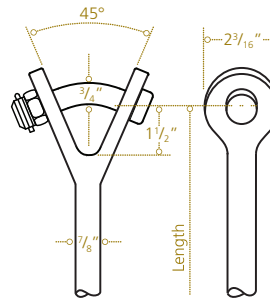
Chain Eye
Ultimate Strength – 80,000 lb
FIGURE 4



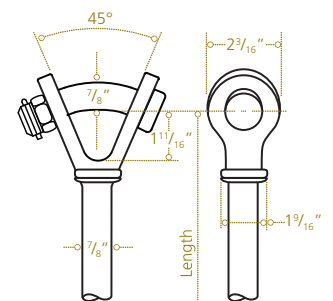
Clevis
Ultimate Strength – 30,000 lb
Connects with ANSI Class 52-4 and Class 52-6 insulators
FIGURE 5



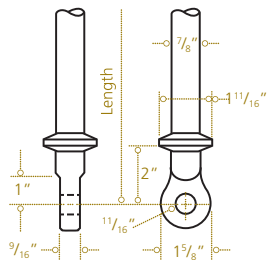
Clevis
Ultimate Strength – 50,000 lb
Connects with ANSI Class 52-12 insulators
FIGURE 6



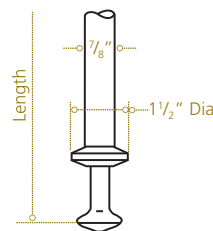
Y-Clevis
Ultimate Strength – 30,000 lb
FIGURE 7



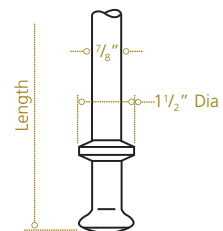
Y-Clevis
Ultimate Strength – 50,000 lb
FIGURE 8



Eye
Ultimate Strength – 30,000 lb
Connects with ANSI Class 52-4 and Class 52-6 insulators
FIGURE 9



Ball
Ultimate Strength – 30,000 lb
ANSI Class 52-3 and Class 52-5
FIGURE 10



Ball
Ultimate Strength – 50,000 lb
ANSI Class 52-8 and Class 52-11
FIGURE 11

Hardware Fittings — *Cut Steel*

Material: *Body – galvanized steel*

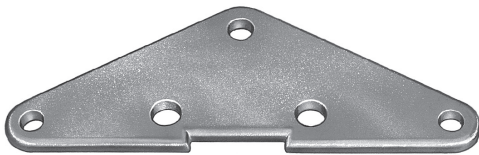
HPS offers a wide variety of yoke plates that are made of cut steel. Yoke plates listed below are types that HPS offers. Consult HPS factory for different hole sizes, hole spacing's, and ultimate strengths. Yoke plates can be custom made to meet specific product needs.

All cut steel yoke plates and extension straps are charpy level 1 compliant (minimum energy absorption values of 20 joules at -20°C) per CSA C83-96.

YPD - Yoke Plates Delta Configuration

CUT STEEL

YPD



These yoke plates may be used to bundle two conductors in suspension application with a single string of insulators. They also may be used in deadend applications with two strings of insulators and one deadend clamp.

Type YPD may be furnished in a variety of sizes, hole spacings and ultimate strengths. For yokes with corona ring mounting provision, consult factory.

Material: *Body – galvanized cut steel*

YPR - Yoke Plates Rectangular Configuration

CUT STEEL

YPR



These yoke plates are used with a double string of insulators to deadend a two conductor bundle.

Type YPR yoke plates may be furnished in a variety of sizes, hole spacings, ultimate strengths and provisions for mounting corona rings.

Material: *Body – galvanized cut steel*

YPV - Yoke Plates Vee Configuration

CUT STEEL

YPV



These yoke plates are used with a V-string of insulators to attach a two conductor bundle.

Type YPV yoke plates may be furnished in a variety of sizes, hole spacing, ultimate strengths, insulator attachment angles and provisions for mounting corona rings.

Material: *Body – galvanized cut steel*

Hardware Fittings — *Cut Steel*

YPC - Yoke Plates Crescent Configuration

CUT STEEL

YPC



These yoke plates are used to bundle two conductors with a single and v-string, or single string, of insulators and maintain the proper running angle of the line.

Type YPC yoke plates may be furnished in a variety of sizes, hole spacing, ultimate strengths and insulator attachment angles.

Material: Body – galvanized cut steel

YPT - Yoke Plates Tee Configuration

CUT STEEL

YPT



These yoke plates are used to bundle three conductors with a V-string of insulators.

Type YPT yoke plates may be furnished in a variety of sizes, hole spacing, ultimate strengths, and insulator attachment angles.

Material: Body – galvanized cut steel

YPTB - Yoke Plate Tee-Batwing Configuration

CUT STEEL

YPTB



These yoke plates are used to bundle three conductors with a double V-string of insulators.

Type YPTB yoke plates may be furnished in a variety of sizes, hole spacing, ultimate strengths, and insulator attachment angles.

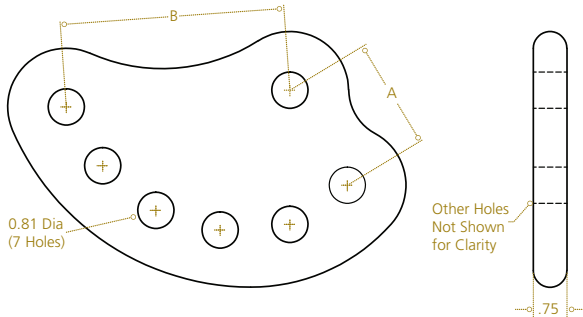
Material: Body – galvanized cut steel

Hardware Fittings — *Cut Steel*

YPTA - Tension Adjustment Configuration

CUT STEEL

YPTA



Type YPTA tension-adjusting yoke plates are used to attach associated deadend hardware and maintain desired line tension. Adjustments are made by varying the assembly attachment point with the use of a CEEL093065 or similar part.

Material: Body – *galvanized cut steel*

Hardware Fittings — Aluminum

Bundling Yoke Wishbone Configuration

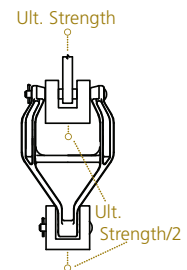
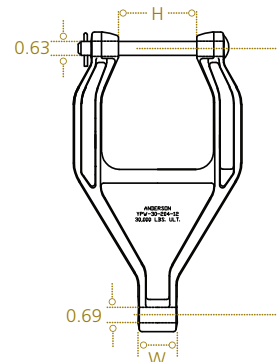
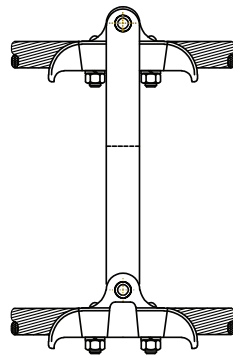
Type YPW yokes are used to vertically bundle conductors on new or rebuilt lines. Consequently, information as to conductor sizes, types of armor rod, if used, conductor spacing, ultimate strengths and existing clamp details must be given at time of ordering. YPW yokes are designed for use with Anderson™ clamps. Because YPW yokes may be furnished in a variety of sizes, conductor spacing, and ultimate strengths for both low voltage and EHV application, please contact factory for more details.

Material: Yoke Plate – aluminum alloy
Hardware – galvanized steel
Cotter Pin – stainless steel



ALUMINUM

YPW/CVN



Parts with 'CVN' suffix have Charpy Level 1 (20 Joules at -20° C) load bearing bolts per CSA C83-96.

Product Data

Catalog Number	Suspension Clamp ⁽¹⁾ Catalog Number Series/Size			Ultimate Strength lb (kN)	Dimensions Inches (mm)			Approx Wt Each lb (kg)
	HAS	CFS	CFSHT		E	H	W	
YPW121189BNKCVN	118	—	—	12,000 (53)	9 (229)	2.56 (65.1)	1.00 (25.4)	1.9 (.86)
YPW1513912BNKCVN	139	139	—	15,000 (67)	12 (305)	2.63 (69.9)	1.19 (30.2)	1.8 (.82)
YPW1514712BNKCVN	147	—	—	15,000 (67)	12 (305)	2.63 (69.9)	1.18 (30.0)	2.5 (1.1)
YPW1516212BNKCVN	162	—	—	15,000 (67)	12 (305)	2.84 (72.2)	1.63 (41.3)	2.5 (1.1)
YPW1520412BNKCVN	204	204	—	15,000 (67)	12 (305)	3.31 (84.1)	1.75 (44.5)	2.9 (1.3)
YPW3020412BNKCVN	182 & 204	182 & 204	182	30,000 (133)	12 (305)	3.50 (88.9)	1.75 (44.5)	3.2 (1.4)
YPW3021312BNKCVN	213	213 & 227	213	30,000 (133)	12 (305)	4.06 (103)	1.75 (44.5)	3.7 (1.7)
YPW3011818BNKCVN	118	118	—	30,000 (133)	18 (457)	2.63 (66.8)	1.06 (27.0)	4.5 (2.0)
YPW3013912BNKCVN	139 & 147	139	—	30,000 (133)	12 (305)	2.87 (72.9)	1.38 (35.1)	3.5 (1.6)
YPW3013918BNKCVN	139 & 147	139	—	30,000 (133)	18 (457)	2.87 (72.9)	1.38 (35.1)	4.5 (2.0)
YPW3018218BNKCVN	182 & 204	182 & 204	182	30,000 (133)	18 (457)	3.63 (92.1)	1.75 (44.5)	4.2 (1.9)
YPW3021318BNKCVN	213	213 & 227	213	30,000 (133)	18 (457)	4.13 (105)	1.75 (44.5)	4.7 (2.1)
YPW3025218BNKCVN	252	—	—	30,000 (133)	18 (457)	4.24 (108)	2.25 (57.2)	5.0 (2.3)

NOTE: For vertical bundling yoke designs not covered above, consult factory.

*BNK suffix indicates bundling yokes will contain Bolt, Nut and Cotter Pin

(1) Refer to Suspension Clamp section for details.

Hardware Fittings — Aluminum

Jumper Yoke Plate

These jumper yokes are used to bundle two, three or four conductors with a single string of insulators on a deadend tower. All jumper yokes have the provision for adding hold down weights.

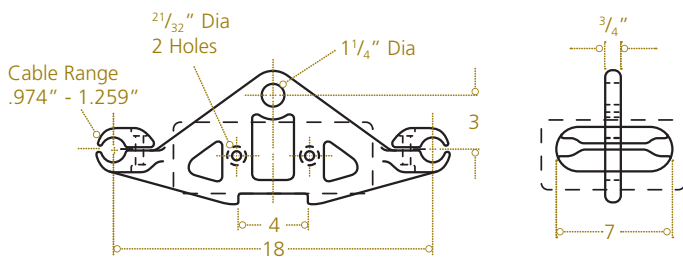
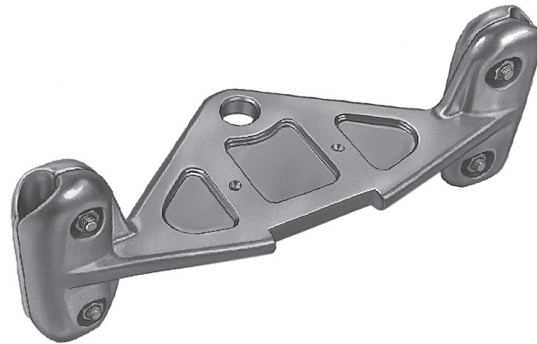
Type YPJ Yoke plates may be furnished in a variety of conductor sizes and configurations.

Material: Body – aluminum alloy

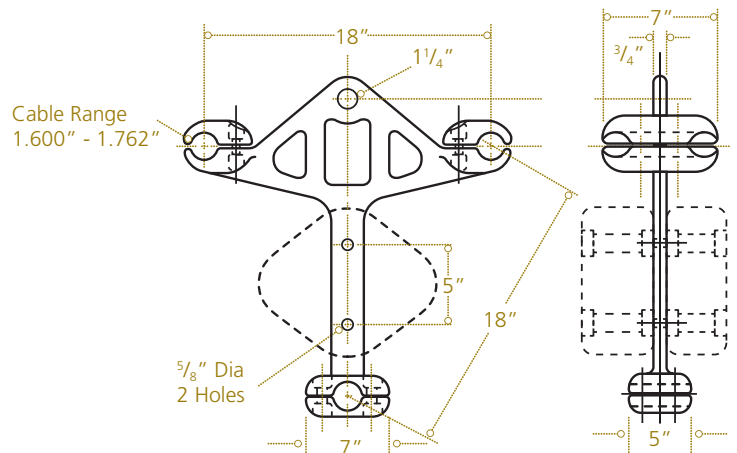
Parts with “CVN” suffix indicate the steel hardware is galvanized per CSA G164

ALUMINUM

YPJ/CVN



Catalog Number - YPJ21018215CVN
Ultimate Strength - 10,000 lbs. Per Insulator Attachment Hole



Catalog Number - YPJ31024414CVN
Ultimate Strength - 10,000 lb Per Insulator Attachment Hole

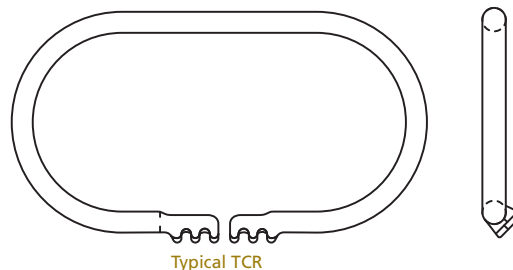
Transmission Corona Rings

Type TCR corona rings are primarily used on deadend assemblies to grade the lower insulators on a string and shield the associated hot line hardware from corona and RIV. Type TCR corona rings are fabricated in a variety of sizes, shapes and mounting angles, depending on the system voltage and deadend assembly type.

Contact factory with deadend assembly details for assistance in specifying a specific TCR ring catalog number.

ALUMINUM

TCR



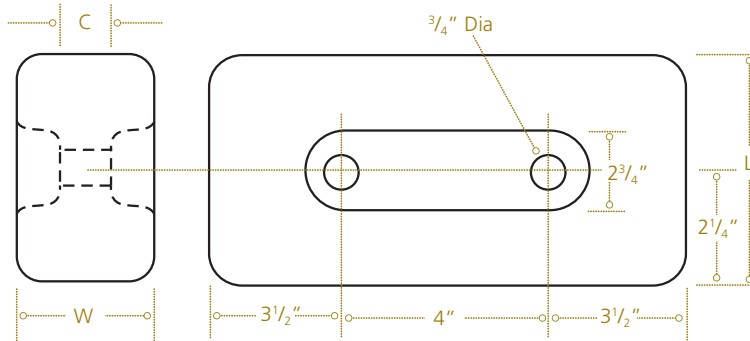
Typical TCR

Hardware Fittings — Cast Iron

Hold Down Weight Rectangular Configuration

CAST IRON

HDWR



Rectangular hold down weights may be attached to jumper yokes to add weight to the jumper assembly in various increments.

Material: Body – galvanized cast iron

Product Data

Catalog Number	Dimensions Inches (mm)			Approx Wt Each lb (kg)
	W	L	C	
HDWR50182041	2 1/2 (63.5)	8 5/8 (219.1)	5/8 (15.9)	50 (22.68)
HDWR75182045	4 3/4 (120.7)	6 7/8 (174.6)	1 (25.4)	75 (34.02)

Hold Down Weight Square Configuration

Square hold down weights may be attached to jumper yokes or three conductor T yokes to add weight to the assembly. Square hold down weights can be used in increments of 50 lb.

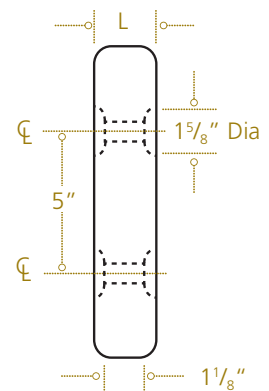
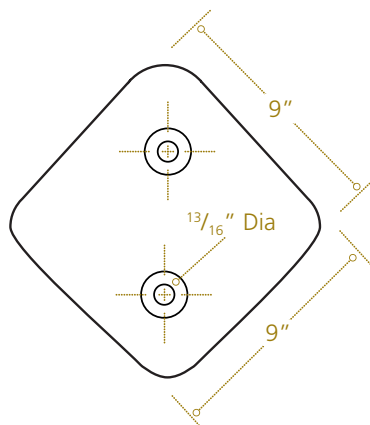
Material: Body – galvanized cast iron

CAST IRON

HDWS

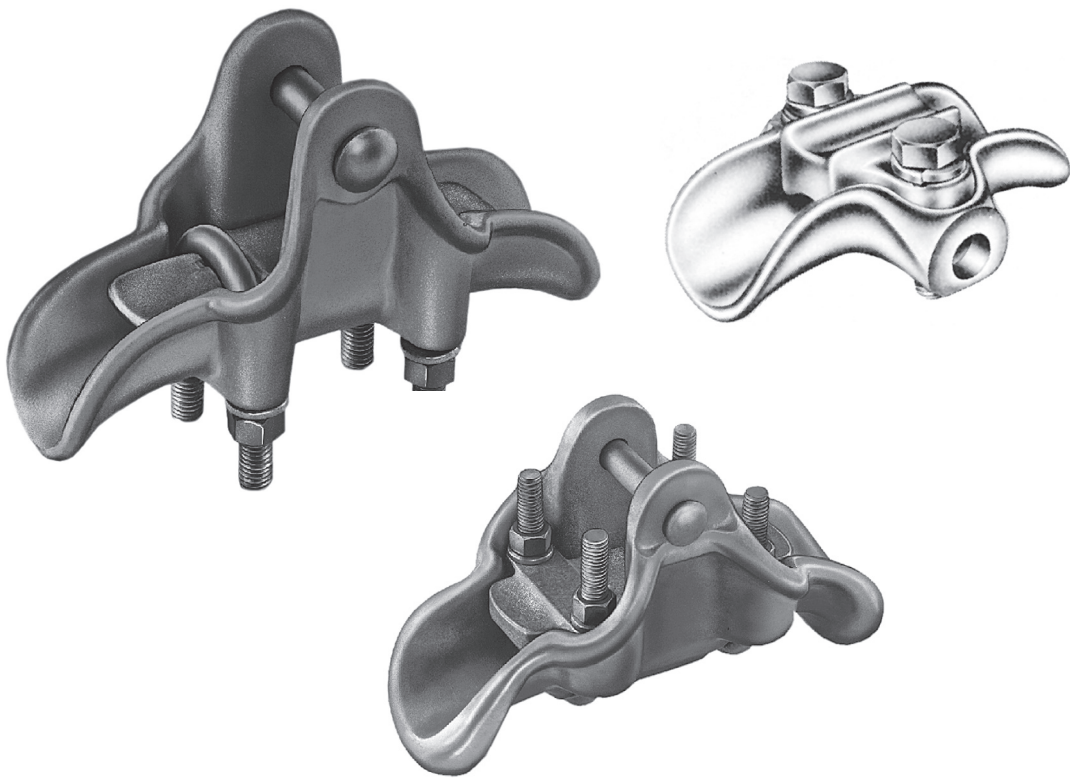
Product Data

Catalog Number	Dimension Inches	Wt Each lb (kg)
	L	
HDWS5023648	2 5/8 (66.7)	50 (22.68)





Suspension Clamps



performance

Suspension Clamps Index

Bolted/Aluminum

CFS.....	Corona Free Clamp for Use With Armor Rods	B-3
CFS (LONG).....	Corona Free Clamp for Use Without Armor Rods	B-4
CFSHT	Corona Free High Temperature Clamp	B-5
CFST2.....	Double Groove Corona Free Clamp.....	B-16
HAC	Angle Clamp	B-6
HAS.....	Clamp	B-1
HAST2.....	Double Groove Clamp	B-15
TSC.....	Trunnion Clamp	B-7
TSCHT	Trunnion Clamp, Hi-Temperature	B-8
TSCT2.....	Double Groove Trunnion Clamp.....	B-17

Bolted/Bronze

BRS	Clamp	B-11
-----------	-------------	------

Bolted/Ductile-Iron

MS	Clamp	B-12
----------	-------------	------

Suspension Clamps — Aluminum

Aluminum Clamp

For standard voltage application with all aluminum, ACSR, or aluminum alloy conductor. See Catalog Reference section for maximum conductor temperature guidelines.

Material: Body and Keeper – aluminum alloy
Hardware – galvanized steel
Socket – galvanized forged steel
Cotter Pin – stainless steel

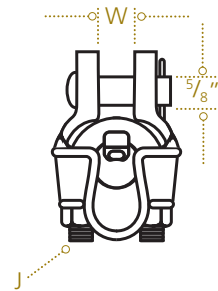
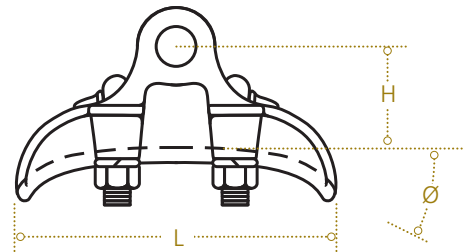
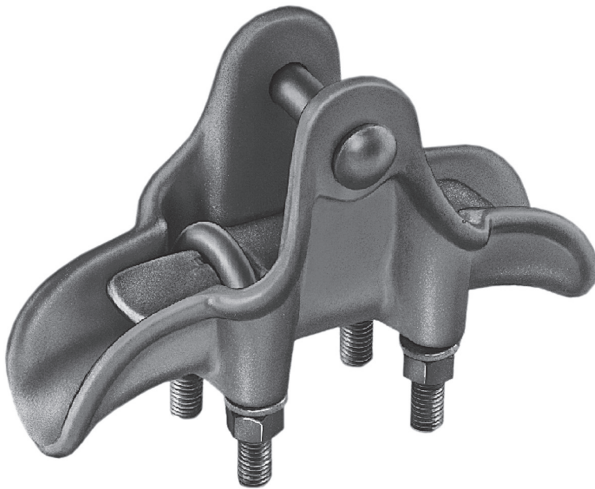
Suspension clamps containing the 'CVN' suffix will come supplied with a Charpy Level 1 rated (20 Joules at -20 degrees C) load bearing clevis bolt and hardware galvanized per CSA G164.

ALUMINUM

HAS



Socket Type SA



Suspension Clamps — Aluminum

Suspension clamps containing the 'CVN' suffix will come supplied with a Charpy Level 1 rated (20 Joules at -20 degrees C) load bearing clevis bolt and hardware galvanized per CSA G164.

Product Data

Catalog Number	Fitting		Clamping Range Inches (mm)	Ultimate Body Strength lb (kN)	Max Take-Off Angle	Dimensions Inches (mm)				Approx Wt Each lb (kg)
	Type	Cat No				L	W	H	J	
HAS62NBNKCVN HAS62SBNKCVN	None Socket	— SA04CVN	.20-.62 (5.08-15.75)	17,000 (76)	30°	6 ³ / ₄ (171.45)	2 ⁹ / ₃₂ (23.02)	2 ⁹ / ₃₂ (57.94)	1/2 (12.70)	1.9 (.86) 3.2 (1.45)
HAS85NBNKCVN HAS85SBNKCVN	None Socket	— SA06CVN	.40-.85 (10.16-21.59)	18,000 (80)	30°	7 ¹ / ₂ (190.50)	1 ⁵ / ₁₆ (23.81)	2 ⁹ / ₁₆ (65.09)	1/2 (12.70)	2.1 (.95) 3.4 (1.54)
HAS104NBNKCVN HAS104SBNKCVN	None Socket	— SA10CVN	.50-1.04 (12.70-26.42)	25,000 (111)	30°	8 ⁷ / ₈ (206.38)	1 ⁵ / ₃₂ (29.37)	2 ³ / ₄ (69.85)	1/2 (12.70)	2.5 (1.13) 3.9 (1.77)
HAS118NBNKCVN HAS118SBNKCVN	None Socket	— SA10CVN	.70-1.18 (17.78-29.97)	25,000 (111)	22.5°	8 (203.20)	1 ¹¹ / ₃₂ (34.13)	2 ³ / ₄ (69.85)	1/2 (12.70)	2.8 (1.27) 4.2 (1.91)
HAS139NBNKCVN HAS139SBNKCVN	None Socket	— SA13CVN	.90-1.39 (22.86-35.31)	25,000 (111)	22.5°	8 ⁷ / ₈ (225.43)	1 ¹⁷ / ₃₂ (38.89)	3 (76.20)	1/2 (12.70)	3.2 (1.45) 4.9 (2.22)
HAS147NBNKCVN HAS147SBNKCVN	None Socket	— SA13CVN	1.00-1.47 (25.40-37.34)	25,000 (111)	22.5°	9 ⁹ / ₁₆ (233.36)	1 ⁹ / ₁₆ (39.69)	3 ¹ / ₈ (79.38)	1/2 (12.70)	3.5 (1.59) 5.2 (2.36)
HAS162NBNKCVN HAS162SBNKCVN	None Socket	— SA13CVN	1.10-1.62 (27.94-41.15)	25,000 (111)	22.5°	9 ¹ / ₂ (241.30)	1 ¹³ / ₁₆ (46.04)	3 ⁵ / ₆₄ (78.18)	1/2 (12.70)	3.8 (1.72) 5.5 (2.49)
HAS182NBNKCVN HAS182SBNKCVN	None Socket	— SA16CVN	1.25-1.82 (31.75-46.23)	25,000 (111)	25°	10 (254)	1 ¹⁵ / ₁₆ (49.21)	3 ¹¹ / ₆₄ (80.57)	1/2 (12.70)	4.2 (1.91) 6.0 (2.72)
HAS204NBNKCVN HAS204SBNKCVN	None Socket	— SA16CVN	1.40-2.04 (35.56-51.82)	25,000 (111)	20.5°	10 ¹ / ₂ (266.70)	2 ¹¹ / ₆₄ (55.17)	3 ¹⁷ / ₃₂ (89.69)	1/2 (12.70)	4.9 (2.22) 6.7 (3.04)
HAS213NBNKCVN HAS213SBNKCVN	None Socket	— SA16CVN	1.40-2.13 (35.56-54.10)	25,000 (111)	22°	10 ¹ / ₂ (266.70)	2 ¹ / ₄ (57.15)	3 ⁵ / ₈ (92.08)	5/8 (15.88)	6.0 (2.72) 7.8 (3.54)
HAS252NBNKCVN HAS252SBNKCVN	None Socket	SA22CVN	2.00-2.52 (50.80-64.01)	30,000 (133) 30,000 (133)	17.5°	12 (304.80)	2 ¹ / ₁₆ (68.26)	4 ¹ / ₄ (107.95)	5/8 (15.88)	9.0 (4.08) 10.8 (4.90)

NOTE: Recommended torque on U-bolts: 1/2" — 480 in-lb 5/8" — 720 in-lb.

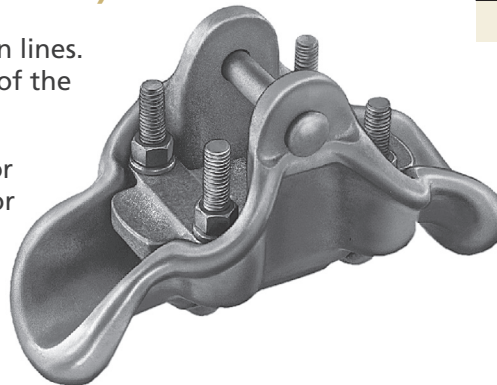
Suspension Clamps — Aluminum

Corona Free Clamp (For Use with Armor Rods)

Designed for use on extra-high voltage transmission lines. Corona and RIV are controlled through the design of the clamp, thus eliminating the need for control rings.

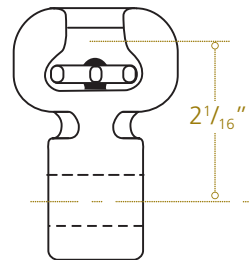
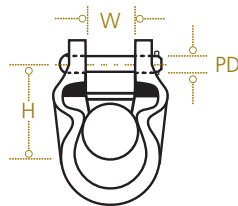
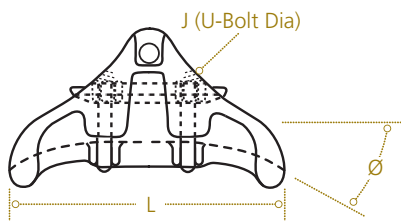
Type CFS is recommended for all aluminum, ACSR or aluminum alloy conductors with straight, tapered or formed armor rods. See Catalog Reference section for maximum conductor temperature guidelines.

Material: Body and Keeper – aluminum alloy
 Hardware – galvanized steel
 Socket – galvanized forged steel
 Cotter Pin – stainless steel
 Grommet – neoprene



ALUMINUM

CFS



Socket Type SA

Suspension clamps containing the 'CVN' suffix will come supplied with a Charpy Level 1 rated (20 Joules at -20 degrees C) load bearing clevis bolt and hardware galvanized per CSA G164.

Product Data

Catalog Number	Fitting		Clamping Range Inches (mm)	Ultimate Body Strength lb (kN)	Max Take-Off Angle ⁽¹⁾	Dimensions Inches (mm)					Approx Wt Each lb (kg)
	Type	Cat No				L	W	H	J	PD	
CFS182NBNKCVN CFS182SBNKCVN	None Socket	— SA16CVN	1.55-1.82 (39.4-46.2)	25,000 (111)	17 1/2°	10 (254)	2 1/16 (52.4)	3 1/4 (82.5)	1/2 (12.7)	5/8 (15.9)	4.5 (2.04) 6.3 (2.86)
CFS204NBNKCVN CFS204SBNKCVN	None Socket	— SA16CVN	1.73-2.04 (43.94-51.82)	25,000 (111)	17 1/2°	10 1/2 (266)	2 7/32 (56.4)	3 1/2 (88.9)	1/2 (12.7)	5/8 (15.9)	5.0 (2.27) 6.8 (3.08)
CFS213NBNKCVN CFS213SBNKCVN	None Socket	— SA16CVN	1.80-2.13 (45.72-54.10)	25,000 (111)	17 1/2°	11 (279.40)	2 5/16 (58.74)	3 5/8 (92.08)	5/8 (15.9)	5/8 (15.9)	6.2 (2.81) 8.0 (3.63)
CFS252NBNKCVN CFS252SBNKCVN	None Socket	— SA22CVN	2.14-2.52 (54.36-64.01)	30,000 (133) 30,000 (133)	20°	12 (305)	2 11/16 (68.26)	4 1/2 (114.3)	5/8 (15.9)	5/8 (15.9)	6.2 (2.81) 8.0 (3.63)
CFS280NBNKCVN CFS280SBNKCVN	None Socket	— SA2613CVN	2.29-2.80 (58.17-71.12)	36,000 (160) 30,000 (133)	20°	14 (355)	3 (76.2)	5 1/2 (127)	5/8 (15.9)	3/4 (19.1)	11.4 (5.17) 14.3 (6.46)

NOTE: Recommended torque on U-bolts: 1/2" — 480 in-lb, 5/8" — 720 in-lb.

(1) For larger angles, a special corona free angle clamp is available. For information on special clamps, contact factory.

Suspension Clamps — Aluminum

Corona Free Clamp (For Use without Armor Rods)

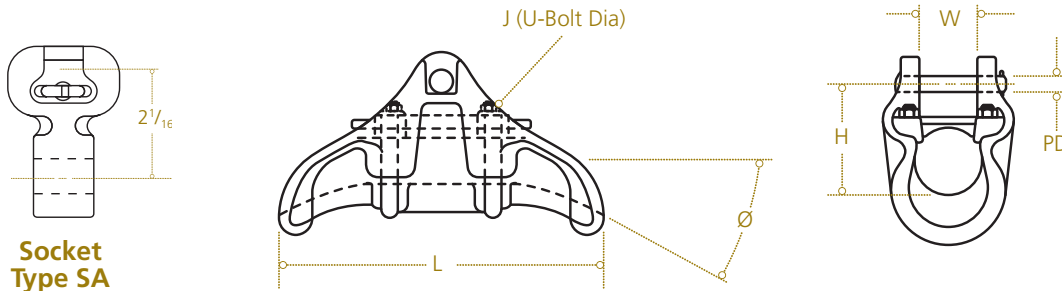
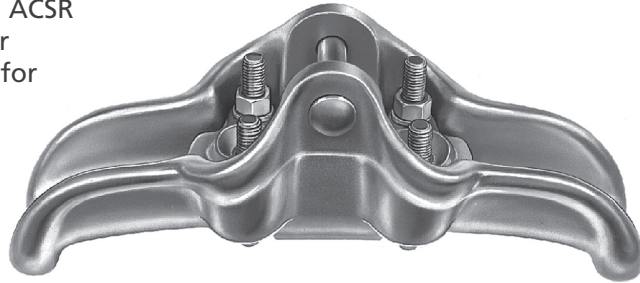
ALUMINUM

CFS (LONG)

Designed for use on extra-high voltage transmission lines. Corona and RIV are controlled through the design of the clamp, thus eliminating the need for control rings.

Type CFS (Long) is recommended for all aluminum, ACSR or aluminum alloy conductor. Maximum conductor temperature 130 C. See Catalog Reference section for maximum conductor temperature guidelines.

Material: Body and Keeper – aluminum alloy
 Hardware – galvanized steel
 Socket – galvanized forged steel
 Cotter Pin – stainless steel
 Grommet – neoprene



Suspension clamps containing the 'CVN' suffix will come supplied with a Charpy Level 1 rated (20 Joules at -20 degrees C) load bearing clevis bolt and hardware galvanized per CSA G164.

Product Data

Catalog Number	Fitting		Clamping Range Inches (mm)	Ultimate Body Strength lb (kN)	Max Take-Off Angle ⁽¹⁾	Dimensions Inches (mm)					Approx Wt Each lb (kg)
	Type	Cat No				L	W	H	J	PD	
CFS11810NBNKCVN CFS11810SBNKCVN	None Socket	— SA10CVN	1.0-1.20 (25.40-30.48)	25,000 (111)	17 1/2°	10 (254)	1 5/16 (33.34)	2 1/2 (63.50)	1/2 (12.70)	5/8 (15.88)	4.0 (1.81) 5.4 (2.45)
CFS139105NBNKCVN CFS139105SBNKCVN	None Socket	— SA13CVN	1.18-1.39 (29.97-35.31)	25,000 (111)	17 1/2°	10-1/2 (266.70)	1 7/32 (38.89)	2 7/8 (73.03)	1/2 (12.70)	5/8 (15.88)	4.7 (2.13) 6.4 (2.90)
CFS14711NBNKCVN CFS14711SBNKCVN	None Socket	— SA13CVN	1.25-1.47 (31.75-37.34)	25,000 (111)	17 1/2°	11 (279.40)	1 5/8 (41.28)	3 3/16 (80.96)	1/2 (12.70)	5/8 (15.88)	5.2 (2.36) 6.9 (3.13)
CFS16212NBNKCVN CFS16212SBNKCVN	None Socket	— SA13CVN	1.38-1.62 (35.05-41.15)	25,000 (111)	17 1/2°	12 (304.80)	1 3/4 (44.45)	3 1/4 (82.55)	1/2 (12.70)	5/8 (15.88)	5.5 (2.49) 7.2 (3.27)
CFS18214NBNKCVN CFS18214SBNKCVN	None Socket	— SA16CVN	1.55-1.82 (39.37-46.23)	25,000 (111)	17 1/2°	14 (355.60)	1 31/32 (50.01)	3 1/4 (82.55)	1/2 (12.70)	5/8 (15.88)	6.5 (2.95) 8.3 (3.76)

NOTE: Recommended torque on U-bolts; 1/2" — 480 in-lb.

(1) For larger angles a special corona free angle clamp is available. For information on special clamps, contact factory.

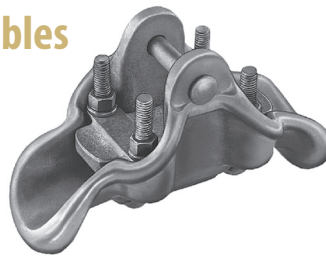
Suspension Clamps — Aluminum

Corona Free Clamp for High Temperature Cables (For Use with Armor Rods)

Designed for use on extra-high voltage transmission lines. Corona and RIV are controlled through the design of the clamp, thus eliminating the need for control rings.

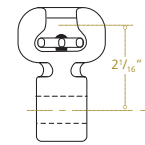
Type CFSHT is designed for use on conductors operating at continuous temperatures up to 250° C. Armor rods or line guards required on conductors with continuous temperatures exceeding 200° C.

Material: Clamp Body – high-temperature aluminum alloy
Keeper – aluminum alloy
Hardware – galvanized steel
Socket – galvanized forged steel
Cotter Pin – stainless steel
Grommet – neoprene

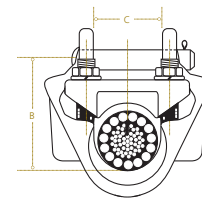
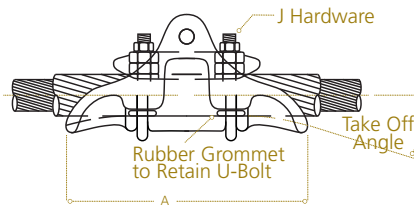


ALUMINUM

CFSHT



Socket Type SA



Product Data

Catalog Number	Fitting		Clamping Range Inches (mm)	Ultimate Strength lb (kN)	Max Take- Off Angle ⁽¹⁾	Dimensions Inches (mm)					Approx Wt Each lb (kg)
	Type	Cat No				A	B	C	PD	J	
CFSHT120NBNKCVN CFSHT120SBNKCVN	None Socket	— SA10CVN	0.90-1.22 (22.86-30.99)	25,000 (111) 25,000 (111)	17.5°	9.15 (232.4)	2.52 (64.0)	1.42 (36.07)	.62 (15.88)	.50 (12.70)	5.0 (2.27) 7.1 (3.22)
CFSHT139NBNKCVN CFSHT139SBNKCVN	None Socket	— SA13CVN	1.18-1.39 (29.97-35.31)	25,000 (111) 25,000 (111)	17.5°	9.45 (240.03)	3.00 (76.2)	1.63 (41.40)	.62 (15.88)	.50 (12.70)	5.6 (2.54) 7.6 (3.44)
CFSHT182NBNKCVN CFSHT182SBNKCVN	None Socket	— SA16CVN	1.55-1.82 (39.37-46.23)	30,000 (133) 30,000 (133)	17.5°	10.19 (258.83)	3.34 (84.84)	2.03 (51.56)	.62 (15.88)	.50 (12.70)	6.9 (3.13) 9.0 (4.08)
CFSHT213NBNKCVN CFSHT213SBNKCVN	None Socket	— SA20CVN	1.80-2.13 (45.72-54.10)	30,000 (133) 30,000 (133)	17.5°	11.75 (298.45)	3.62 (91.95)	2.39 (60.70)	.62 (15.88)	.50 (12.70)	8.9 (4.04) 10.7 (4.86)
CFSHT252NBNKCVN CFSHT252SBNKCVN	None Socket	— SA24CVN	2.14-2.52 (54.36-64.01)	30,000 (133) 30,000 (133)	20°	12.75 (323.85)	4.02 (102.1)	2.79 (70.87)	.62 (15.88)	.50 (12.70)	11.0 (5.0) 12.9 (5.86)

NOTE: Recommended torque on U-bolts: ½" — 480 in-lb, 5/8" — 720 in - lb.

(1) For larger angles, a special corona free angle clamp is available. For information on special clamps, contact factory.



In addition to industry standard markings for connectors, CFSHT suspension clamps are permanently marked with the IEC standard symbol for hot surface, allowing construction inspectors to easily verify that the installed clamps are high-temperature rated.

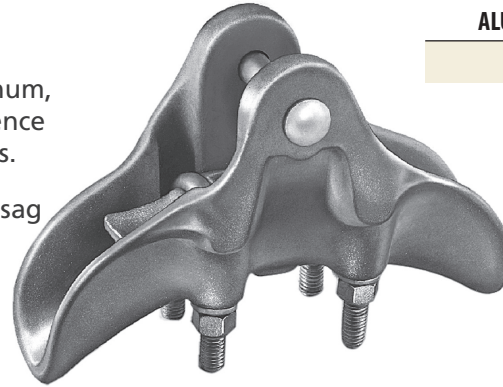
Suspension Clamps — Aluminum

Angle Clamp

For standard voltage angle construction with all aluminum, ACSR, or aluminum alloy conductor. See Catalog Reference section for maximum conductor temperature guidelines.

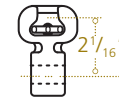
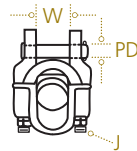
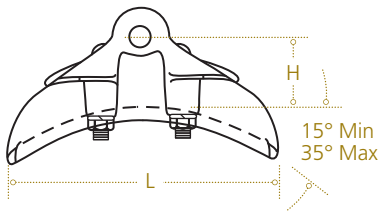
Designed for use in turning angles up to 70° (including sag and turn angle).

Material: Body and Keeper – aluminum alloy
 Hardware – galvanized steel
 Socket – galvanized forged steel
 Cotter Pin – stainless steel



ALUMINUM

HAC



Socket
Type SA

Suspension clamps containing the 'CVN' suffix will come supplied with a Charpy Level 1 rated (20 Joules at -20 degrees C) load bearing clevis bolt and hardware galvanized per CSA G164.

Product Data

Catalog Number	Fitting		Clamping Range Inches (mm)	Ultimate Body Strength lb (kN)	Dimensions Inches (mm)					Approx Wt Each lb (kg)
	Type	Cat No			L	W	H	J	PD	
HAC118N BNKCVN HAC118S BNKCVN	None Socket	— SA10CVN	1.00-1.18 (25.40-29.97)	35,000 (156) 30,000 (133)	9 ⁷ / ₈ (250.83)	1 ¹ / ₃₂ (32.54)	2 ³ / ₄ (69.85)	1/2 (12.70)	5/8 (15.88)	3.6 (1.63) 5.0 (2.27)
HAC147N BNKCVN HAC147S BNKCVN	None Socket	— SA13CVN	1.25-1.47 (31.75-37.34)	35,000 (156) 30,000 (133)	9 ³ / ₄ (247.65)	1 ¹ / ₁₆ (42.86)	3 ¹ / ₄ (82.55)	1/2 (12.70)	5/8 (15.88)	4.0 (1.81) 5.7 (2.59)
HAC182N BNKCVN	None	—	1.55-1.82 (39.37-46.23)	40,000 (178)	10 ¹ / ₈ (257.18)	2 ¹ / ₃₂ (51.59)	3 ¹ / ₂ (88.90)	1/2 (12.70)	3/4 (19.05)	4.8 (2.18)
HAC204N BNKCVN	None	—	1.73-2.04 (43.94-51.82)	40,000 (178)	11 ¹ / ₄ (285.75)	2 ¹ / ₆₄ (55.17)	3 ¹ / ₂ (88.90)	1/2 (12.70)	3/4 (19.05)	5.6 (2.54)
HAC213N BNKCVN	None	—	1.81-2.13 (45.97-54.10)	40,000 (178)	11 ¹ / ₄ (285.75)	2 ¹ / ₄ (57.15)	3 ³ / ₄ (95.25)	5/8 (15.88)	3/4 (19.05)	6.0 (2.72)

NOTE: Recommended torque on U-bolts: 1/2" — 480 in-lb; 5/8" — 720 in-lb.

Suspension Clamps — Aluminum

Trunnion Clamp

ALUMINUM

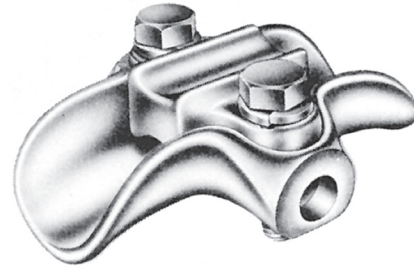
TSC

For standard voltage applications with AAC, ACSR or AAAC conductor. See Catalog Reference section for maximum conductor temperature guidelines.

Designed for use on tangent suspension spans with horizontal or vertical post insulators.

Keeper is reversible for proper fit on different size conductors.

Material: Body and Keeper – aluminum alloy
Hardware – galvanized steel
Anti-static Spring – stainless steel⁽¹⁾



Components containing the 'CVN' suffix only contain hardware galvanized per CSA G164. Trunnion Clamps do not have load bearing bolts so there are no Charpy Level 1 requirements.

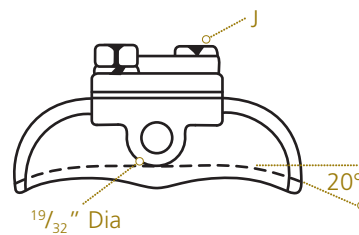
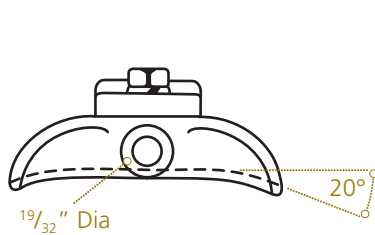
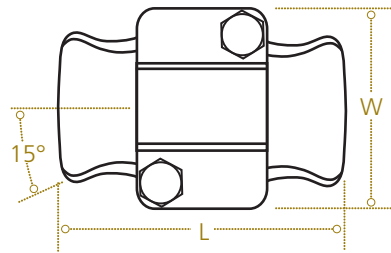
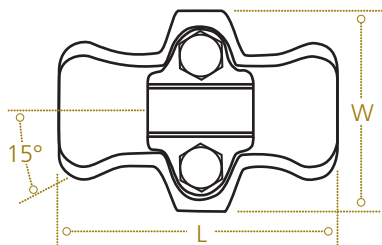


Figure 1

Figure 2

Product Data

Catalog Number	Figure Number	Clamping Range Inches (mm)	Ultimate Body Strength lb (kN)	Dimensions Inches (mm)			Approx Wt Each lb (kg)
				L	W	J	
TSC57CVN	1	.25-.57 (6.3-14.4)	2,800 (12)	5¼ (133.3)	3⅞ (98.4)	½ (12.7)	.81 (.37)
TSC86CVN	1	.35-.86 (8.8-21.8)	2,800 (12)	5¼ (133.3)	3⅞ (98.4)	½ (12.7)	.95 (.43)
TSC106CVN	1	.50-1.06 (12.7-26.9)	2,800 (12)	5¼ (133.3)	3⅞ (98.4)	½ (12.7)	.98 (.44)
TSC150CVN	1	1.00-1.50 (25.4-38.1)	2,800 (12)	5¼ (133.3)	3⅞ (98.4)	½ (12.7)	1.09 (.49)
TSC200CVN	2	1.50-2.00 (38.1-50.8)	2,800 (12)	5¼ (133.3)	3⅞ (98.4)	½ (12.7)	1.33 (.60)

Suspension Clamps — Aluminum

Trunnion Clamp for High Temperature Cables (For Use with Armor Rods)

ALUMINUM

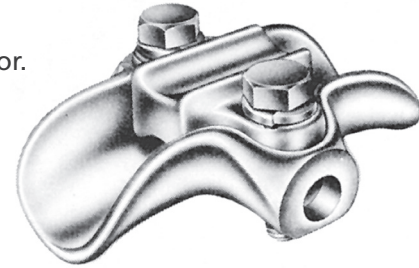
TSCHT

Type TSCHT is designed for use on conductors operating at continuous temperatures up to 250° C. Armor rods or line guards required to limit heat transfer from conductor to post insulator cap.

Also for standard voltage applications with AAC, ACSR or AAAC conductor.

Designed for use on tangent suspension spans with horizontal or vertical post insulators.

Keeper is reversible for proper fit on different size conductors.



Material: Clamp Body – high-temperature aluminum alloy
Keeper – aluminum alloy
Hardware – galvanized steel
Anti-static Spring – stainless steel⁽¹⁾

Components containing the 'CVN' suffix only contain hardware galvanized per CSA G164. Trunnion Clamps do not have load bearing bolts so there are no Charpy Level 1 requirements.

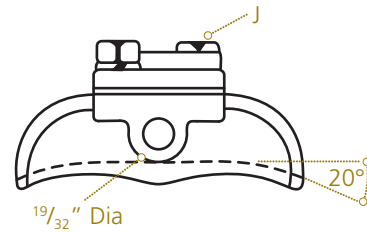
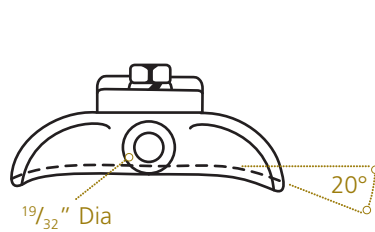
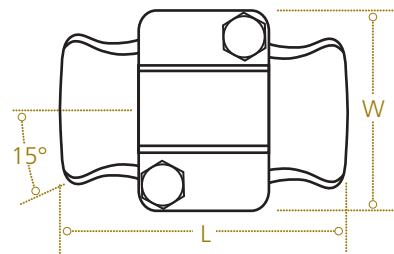
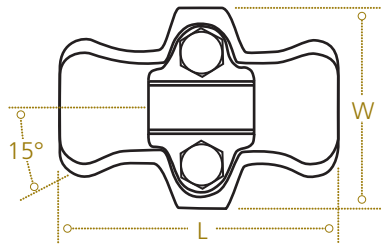


Figure 1

Figure 2

Product Data

Catalog Number	Figure Number	Clamping Range Inches (mm)	Ultimate Body Strength lb (kN)	Dimensions Inches (mm)			Approx Wt Each lb (kg)
				L	W	J	
TSCHT150CVN	1	1.00-1.50 (25.4-38.1)	2,800 (12)	5¼ (133.3)	37⁄8 (98.4)	½ (12.7)	1.34 (.61)
TSCHT200CVN	2	1.50-2.00 (38.1-50.8)	2,800 (12)	5¼ (133.3)	37⁄8 (98.4)	½ (12.7)	1.54 (.70)

NOTE: Recommended torque on bolts: ½" — 300 in-lb.

(1) Anti-static spring can be supplied by adding "ARIV" to catalog number. Example, TSCHT150ARIV.



In addition to industry standard markings for connectors, TSCHT suspension clamps are permanently marked with the IEC standard symbol for hot surface, allowing construction inspectors to easily verify that the installed clamps are high-temperature rated.

Suspension Clamps — Bronze

Clamp

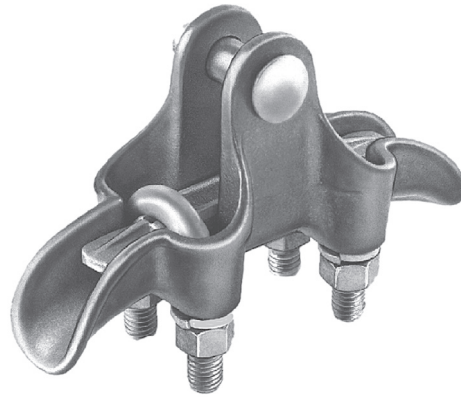
For use with copper or Copperweld® cable.

Through the use of these clamps hysteresis and eddy current power losses are reduced to a minimum. Liners are not required.

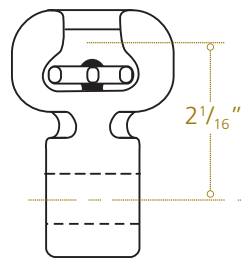
Material: Body – high tensile bronze alloy
 Keeper – bronze
 Hardware – galvanized steel⁽¹⁾
 Socket – galvanized forged steel
 Cotter Pin – stainless steel

BRONZE

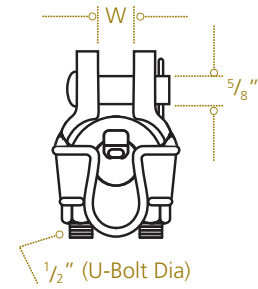
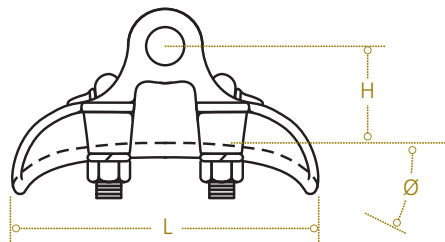
BRS



Suspension clamps containing the 'CVN' suffix will come supplied with a Charpy Level 1 rated (20 Joules at -20 degrees C) load bearing clevis bolt and hardware galvanized per CSA G164.



Socket Type SA



Product Data

Catalog Number	Fitting		Clamping Range Inches (mm)	Ultimate Body Strength lb (kN)	Max Take-Off Angle	Dimensions Inches (mm)			Approx Wt Each lb (kg)
	Type	Cat No				L	W	H	
BRS60NBKCVN BRS605 BNKCVN	None Socket	— SA04CVN	.20-.60 (5.08-15.24)	16,000 (71)	15°	6½ (165.10)	¾ (19.05)	2¼ (57.15)	2.9 (1.32) 4.4 (1.90)
BRS83NBKCVN BRS835BNKCVN	None Socket	— SA06CVN	.40-.83 (10.16-21.08)	18,000 (80)	15°	7¼ (184.15)	3½ (24.6)	2¾ (60.33)	3.7 (1.68) 5.0 (2.27)
BRS100NBKCVN	None	—	.625-1.00 (15.88-25.40)	22,000 (98)	15°	8 (203.20)	1½ (28.58)	2½ (63.50)	4.5 (2.04)
BRS118NBKCVN BRS1185BNKCVN	None Socket	— SA11CVN	.70-1.18 (17.78-29.97)	25,000 (111)	20°	8 (203.20)	1½ (32.55)	2½ (63.50)	4.9 (2.22)

NOTE: Recommended torque on U-bolts: ½" — 480 in-lb.

(1) Bronze U-bolts, nuts and washers can be furnished by adding suffix "ED" to catalog number. Example, BRS60NED.

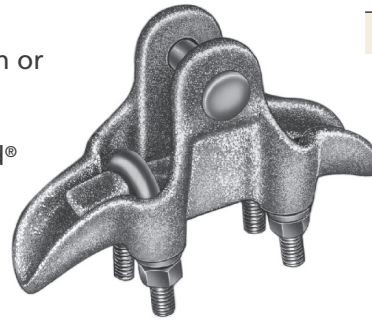
Suspension Clamps — Ductile Iron

Clamp

For ground wire application with galvanized steel cable with or without armor rods.

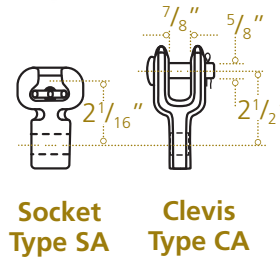
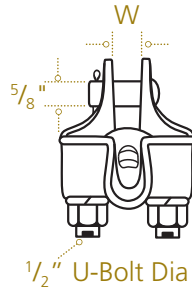
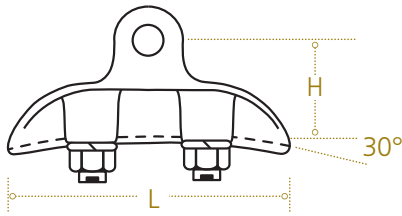
Type MS may also be used to suspend copper or Copperweld® cable. Magnetic induction heating will occur.

Material: Body and Keeper – galvanized ductile iron
 Hardware – galvanized steel
 Cotter Pin – stainless steel
 Socket – galvanized forged steel



DUCTILE IRON

MS



Suspension clamps containing the 'CVN' suffix will come supplied with a Charpy Level 1 rated (20 Joules at -20 degrees C) load bearing clevis bolt and hardware galvanized per CSA G164.

Clamp Recommendations for Galvanized Overhead Ground Wire

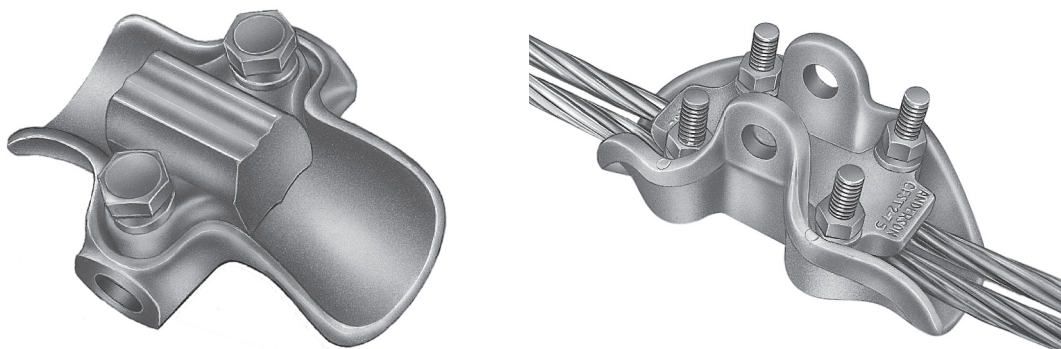
Steel Cable Size	Bare Conductor		Formed Armor Rods	
	Clamp Cat No	Diameter Inches (mm)	Clamp Cat No	Diameter Inches (mm)
1/4"-7 str	MS46	.240 (6.10)	MS46	.412 (10.46)
5/16"-7 str	MS46	.312 (7.92)	MS60	.512 (13.00)
3/8"-7 str	MS46	.360 (9.14)	MS60	.560 (14.22)
7/16"-7 str	MS46	.435 (11.05)	MS82	.673 (17.09)
1/2"-7 str	MS60	.495 (12.57)	MS82	.771 (19.58)
5/8"-7 str	MS70	.621 (15.77)	—	—

Product Data

Catalog Number	Fitting		Clamping Range Inches (mm)	Ultimate Body Strength lb (kN)	Dimensions Inches (mm)			Approx Wt Each lb (kg)
	Type	Cat No			L	H	W	
MS46NBNKCVN MS46SBNKCVN	None Socket	— SA04CVN	.20-.46 (5.08-11.68)	16,000 (71)	5/8 (142.88)	2 (50.8)	7/8 (22.2)	2.15 (.98) 3.4 (1.54)
MS60NBNKCVN MS60SBNKCVN	None Socket	— SA04CVN	.20-.60 (5.08-15.24)	16,000 (71)	67/16 (163.51)	2 (50.8)	7/8 (22.2)	2.65 (1.20) 3.9 (1.77)
MS70NBNKCVN MS70SBNKCVN	None Socket	— SA05CVN	.30-.70 (7.62-17.78)	18,000 (80)	63/8 (161.93)	2 (50.8)	15/16 (23.8)	2.90 (1.32) 4.2 (1.91)
MS82NBNKCVN MS82SBNKCVN	None Socket	— SA06CVN	.40-.82 (10.16-20.83)	18,000 (80)	7 1/2 (190.50)	2 3/8 (60.33)	15/16 (23.8)	3.25 (1.47) 4.7 (2.13)
MS104NBNKCVN	None	—	.50-1.04 (12.70-26.42)	25,000 (111)	8 (203.2)	2 3/4 (69.9)	1 1/8 (28.6)	5.70 (2.59)

NOTE: Recommended torque on U-bolts: 1/2" — 480 in-lb. Bolt and nut may be substituted for clevis pin by adding suffix "BNK" to catalog number

Suspension and Stirrup Clamps — For T2 Conductors



T2 is the designation for a type of conductor developed in the mid-1960s by Kaiser Aluminum Company. The “T” is for “twisted” and the “2” indicates two wires twisted together. T2 is actually two regular round conductors of any type (ACSR, AAC, ACAR, AAAC, etc.) twisted around each other at 9-foot intervals. The main purpose of the twisted design is to prevent galloping by constantly varying the cable diameter face. This wind-induced galloping phenomena occurs primarily in the Midwestern U.S.

Some utilities prefer suspension and strain clamps with “double groove” clamping, while others find that single-groove standard clamps, properly sized and tested, perform adequately on T2.

Anderson™ offers both single and double groove clamps. In the early days of T2, filler rods were used and designed for round conductors. After years of field service and testing, Anderson believes filler rods are no longer necessary, and we do not recommend them.

Another clamp approach is to separate the two round conductors at the clamping point and use two separate single-groove clamps attached to a small yoke plate.

Anderson can supply your T2 clamp needs regardless of your construction preference.






safety

Suspension and Stirrup Clamps — For T2 Conductors

Product Data

Suspension and Stirrup Clamps

Recommended Application Chart of Anderson™ Clamps for T2 Conductor

Conductor Data				Recommended Clamps				
Code Word	Conductor Size (Qty) AWG	Dual Conductors Outside Dimensions Inches	T2 Conductor Ultimate Strength lb	 Aluminum Suspension Clamp Double Groove Keeper	 345 kV Corona Free Aluminum Suspension Clamp Double Groove	 Aluminum Trunnion Suspension Clamp Double Groove Keeper	 Aluminum Suspension Clamp Single Groove	 Aluminum Trunnion Suspension Clamp Single Groove
T-2 Iris	2-7 str AAC ⁽²⁾	.292 x .584	2532	—	—	—	HAS85	TSC57 ⁽¹⁾
T-2 Sparrow	2-6/1 ACSR ⁽²⁾	.316 x .682	5580	—	—	TSCT2150	HAS85	TSC86 ⁽²⁾
T-2 Raven	1/0-6/1 ACSR ⁽²⁾	.398 x .796	8560	HAST2118	—	TSCT2150	HAS104	TSC86 ⁽¹⁾
T-2 Quail	2/0-6/1 ACSR ⁽²⁾	.447 x .894	10,690	HAST2118	—	TSCT2150	HAS104	TSC106T2 ⁽¹⁾
T-2 Pigeon	3/0-6/1 ACSR ⁽²⁾	.502 x 1.004	13,350	HAST2118	—	TSCT2150	HAS118	TSC150T2 ⁽²⁾
T-2 Penguin	4/0-6/1 ACSR ⁽²⁾	.562 x 1.126	16,840	HAST2139	—	TSCT2150	HAS139	TSC150-T2 ⁽¹⁾
T-2 Partridge	266.8-26/7 ACSR ⁽²⁾	.642 x 1.284	22,500	HAST2139	—	TSCT2200	HAS139	TSC150-T2 ⁽¹⁾
T-2 Linnet	336.4-26/7 ACSR ⁽²⁾	.721 x 1.442	28,100	HAST2182	—	TSCT2200	HAS162	TSC150-T2 ⁽¹⁾
T-2 Chickadee	397.5-18/1 ACSR ⁽²⁾	.743 x 1.486	20,080	HAST2182	—	TSCT2200	HAS182	—
T-2 Ibis	397.5-26/7 ACSR ⁽²⁾	.783 x 1.566	32,380	HAST2182	CFST288	TSCT2200	HAS182	—
T-2 Pelican	477.0-18/1 ACSR ⁽²⁾	.814 x 1.628	23,740	HAST2182	CFST288	TSCT2200	HAS182	—
T-2 Mistletoe	556.5-37 str AAC ⁽²⁾	.858 x 1.716	19,660	HAST2204	CFST288	TSCT2200	HAS204	—
T-2 Hawk	477.0-26/7 ACSR ⁽²⁾	.858 x 1.716	38,860	HAST2204	CFST288	TSCT2200	HAS204	—
T-2 Osprey	556.5-18/1 ACSR ⁽²⁾	.879 x 1.758	27,700	HAST2204	CFST288	TSCT2200	HAS204	—
T-2 Hen	447.0-30/7 ACSR ⁽²⁾	.883 x 1.766	46,600	HAST2204	CFST288	TSCT2200	—	—
T-2 Parakeet	556.5-18/1 ACSR ⁽²⁾	.914 x 1.828	39,700	HAST2204	CFST2130	—	—	—
T-2 Arbutus	795-37 str A ^o AC ⁽²⁾	1.026 x 2.052	27,540	HAST2252	CFST2130	—	—	—
T-2 Dove	556.5-26/7 ACSR ⁽²⁾	.927 x 1.854	44,800	HAST2204	CFST2130	—	HAS204	—
T-2 Rook	636.0-24/7 ACSR ⁽²⁾	.977 x 1.954	45,200	HAST2252	CFST2130	—	—	—
T-2 Grosbeak	636.0-26/7 ACSR ⁽²⁾	.990 x 1.980	50,000	HAST2252	CFST2130	—	HAS227	—
T-2 Tern	795.0-45/7 ACSR ⁽²⁾	1.063 x 2.126	45,800	HAST2252	CFST2130	—	HAS252T2	—
T-2 Rail	954.0-45/7 ACSR ⁽²⁾	1.165 x 2.330	53,800	HAST2252	CFST2130	—	HAS252T2	—
T-2 Bluejay	1113.0-45/7 ACSR ⁽²⁾	1.259 x 2.518	61,800	—	CFST2130	—	HAS280	—

(1) On catalog type TSC use large side of keeper on cable specified.

(2) On catalog type TSC use small side of keeper on cable specified.

Suspension Clamps — Aluminum

Double Groove Clamp

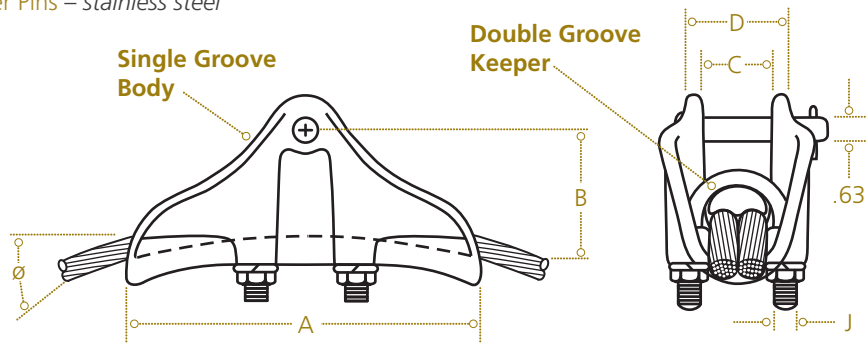
ALUMINUM

HAST2

Made with double groove keeper to accommodate twin conductor.

For standard voltage application with all aluminum, ASCR, or aluminum alloy conductor. Maximum conductor temperature 130 C. See Catalog Reference section for maximum conductor temperature guidelines.

Material: Body and Keeper – aluminum alloy
Sockets – galvanized forged steel
Hardware – galvanized steel
Cotter Pins – stainless steel



Suspension clamps containing the 'CVN' suffix will come supplied with a Charpy Level 1 rated (20 Joules at -20 degrees C) load bearing clevis bolt and hardware galvanized per CSA G164.

Product Data

Catalog Number	Fitting		Clamping Range			Dimensions Inches						Ultimate Body Strength lb (kN)	Approx Wt Each lb (kg)
	Type	Catalog Number	ACSR	Inches	Aluminum	A	B	C	D	Ø	J		
HAST2118SBNKCVN HAST2118NBNKCVN	Socket None	SA10CVN —	1/0 to 3/0	.398 to .502	2/0-7 str to 3/0-19 str	8.00	2.75	1.41	2.41	22.5	½	25,000 (111)	4.40 (2.00) 2.80 (1.27)
HAST2139SBNKCVN HAST2139NBNKCVN	Socket None	SA13CVN —	134-12/7 to 266.8-26/7	.522 to .642	4/0-7 str to 300-61 str	8.88	3.00	1.63	2.56	22.5	½	25,000 (111)	4.90 (2.22) 3.30 (1.50)
HAST2182SBNKCVN HAST2182NBNKCVN	Socket None	SA16CVN —	336-18/1 to 477-18/1	.684 to .814	350-37 str to 500-37 str	10.00	3.25	2.06	3.00	25.0	½	25,000 (111)	6.00 (2.72) 4.30 (1.95)
HAST2204SBNKCVN HAST2204NBNKCVN	Socket None	SA16CVN —	477-26/7 to 556.5-26/7	.858 to .927	556-37 str to 636-37 str	10.50	3.53	2.17	3.13	20.5	½	25,000 (111)	6.60 (3.00) 4.90 (2.22)
HAST2252SBNKCVN HAST2252NBNKCVN	Socket None	SA22CVN —	636-24/7 to 954-45/7	.977 to 1.165	750-61 str to 1,000-61 str	12.00	4.25	2.68	3.81	17.5	⅝	30,000 (133) 30,000 (133)	11.80 (5.35) 10.00 (4.54)

NOTE: Recommended torque on U-bolts: ½" — 480 in-lb, ⅝" — 720 in-lb.

Suspension Clamps — Aluminum

Double Groove Corona Free Clamp

ALUMINUM

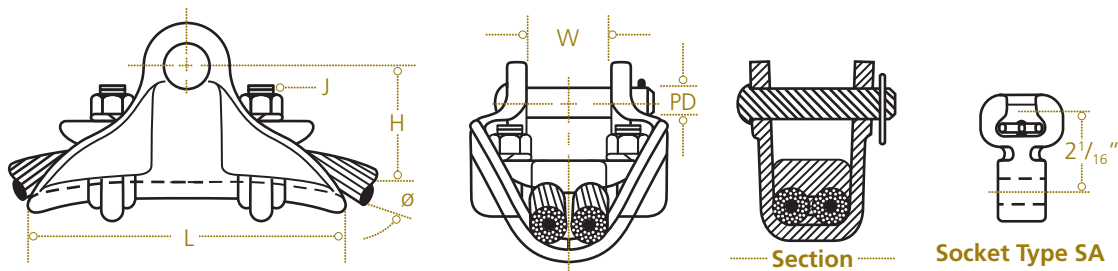
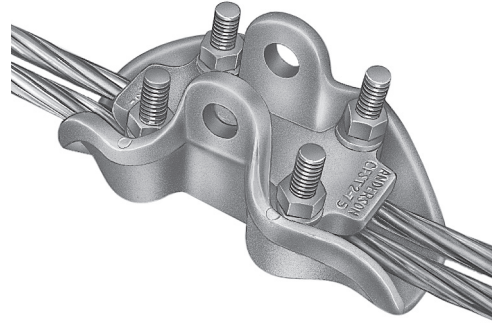
CFST2

Type CFST2 is recommended for AAC, ACSR or AAAC T2 conductors. Maximum conductor temperature 130 C. See Catalog Reference section for maximum conductor temperature guidelines.

Designed with double grooves for use on standard or extra-high voltage T2 transmission lines. Corona and RIV are controlled through the design of the clamp, thus eliminating the need for control rings.

U-bolts are retained in place by grommets.

Material: Body and Keeper – aluminum alloy
 Hardware – galvanized steel
 Socket – galvanized forged steel
 Cotter Pin – stainless steel
 Grommet – neoprene



Suspension clamps containing the 'CVN' suffix will come supplied with a Charpy Level 1 rated (20 Joules at -20 degrees C) load bearing clevis bolt and hardware galvanized per CSA G164.

Product Data

Catalog Number	Fitting		Clamping Range Inches (mm)	Ultimate Body Strength Inches (kN)	Max Take-Off Angle	Dimensions Inches (mm)					Approx Wt Each lb (kg)
	Type	Catalog Number				L	W	H	J	PD	
CFST288NBKCVN CFST288SBKCVN	None Socket	— SA16CVN	.753-.883 (19.13-22.43)	20,000 (89)	17.5°	8 ⁷ / ₁₆ (214.38)	2 (50.80)	2 ¹ / ₂ (63.50)	1 ¹ / ₂ (12.70)	5 ⁸ / ₁₆ (15.88)	2.8 (1.134) 4.2 (1.905)
CFST2130NBKCVN CFST2130SBKCVN	None Socket	— SA22CVN	.88-1.30 (22.35-33.0)	25,000 (111)	17.5°	10 ¹ / ₂ (266.7)	3 (76.2)	3 (76.2)	1 ¹ / ₂ (12.70)	5 ⁸ / ₁₆ (15.88)	6.0 (2.7) 7.9 (3.6)

NOTE: Recommended torque on U-bolts: 1/2" — 480 in-lb.

Suspension Clamps — Aluminum/Ductile Iron

Double Groove Trunnion Clamp

ALUMINUM

TSCT2

For standard voltage applications with AAC, ACSR, or AAAC T2 conductor. See Catalog Reference section for maximum conductor temperature guidelines.

Designed with double groove keeper for use on tangent suspension spans with horizontal or vertical post insulators.

Keeper is reversible for proper fit on different size conductors.

Material: TSCT2: Body and Keeper – aluminum alloy
Keeper – aluminum alloy
Hardware – galvanized steel
Anti-static Spring – stainless steel

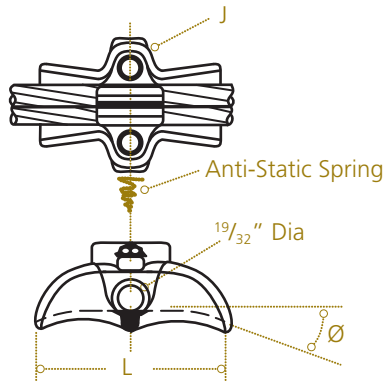
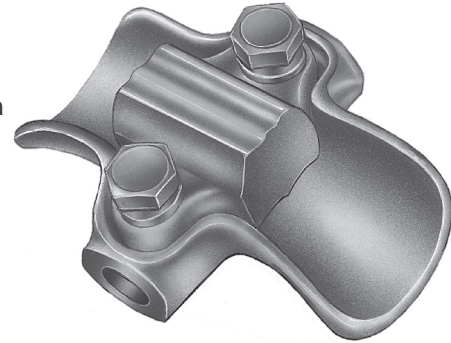


Figure 1

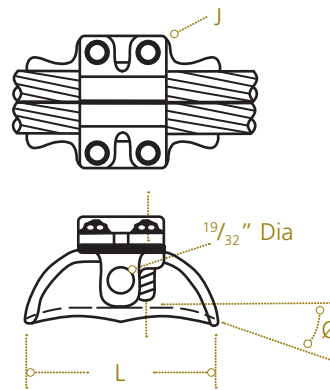


Figure 2



Components containing the 'CVN' suffix only contain hardware galvanized per CSA G164. Trunnion Clamps do not have load bearing bolts so there are no Charpy Level 1 requirements.

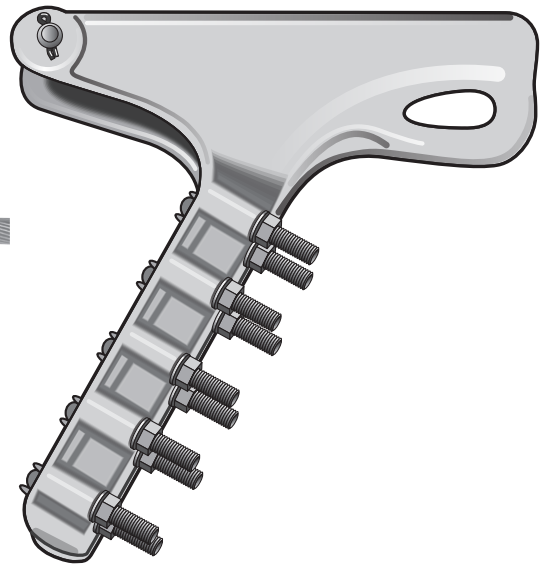
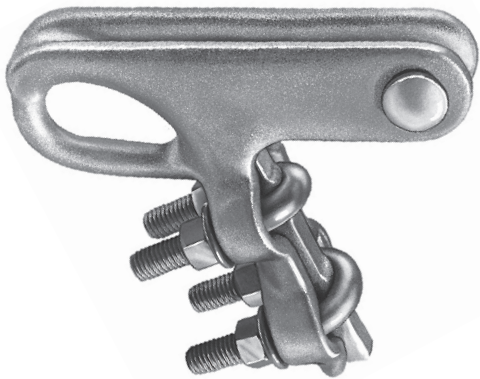
Product Data

Catalog Number	Figure Number	Clamping Range Inches (mm)	Ultimate Body Strength lb (kN)	Max Take-Off Angle	Dimensions Inches (mm)			Approx Wt Each lb (kg)
					L	W	J	
TSCT2150CVN	1	.316-.563 (8.03-14.3)	2,800 (12)	20°	5¼ (133.3)	3⅞ (98.4)	½ (12.7)	1.14 (.52)
TSCT2200CVN	2	.642-.927 (16.31-23.54)	2,800 (12)	20°	5¼ (133.3)	3⅞ (98.4)	½ (12.7)	1.75 (.79)

NOTE: Recommended torque on ½" clamping bolts: 300 in-lb. Anti-static springs can be supplied by adding "ARIV" to catalog number.



Deadends



quality

Deadends Index

Bolted/Aluminum

AR1/AR2	Quadrant Strain Clamp	C-6
PG/DE	Quadrant Strain Clamp	C-4
SD	Quadrant Strain Clamp	C-1
SDT2	Double Groove Strain Clamp	C-3

Bolted/Bronze

BR1/BR2	Quadrant Strain Clamp	C-8
BSD	Quadrant Strain Clamp	C-7

Bolted/Ductile

SWDE/MD	Quadrant Strain Clamp	C-9
---------------	-----------------------------	-----

Compression/Aluminum

A01/A03	Uni-Grip® Eye Type, Single Tongue-ACSR	C-11
A02/A04	Uni-Grip® Eye Type, Double Tongue-ACSR	C-14
AB01/AB03	Uni-Grip® Eye Type, Single Tongue-Alloy & ACAR	C-17
AB02/AB04	Uni-Grip® Eye Type, Double Tongue-Alloy & ACAR	C-18
C01/C03	Uni-Grip® Eye Type, Single Tongue-AAC	C-19
C02/C04	Uni-Grip® Eye Type, Double Tongue-AAC	C-21

Deadends — Bolted

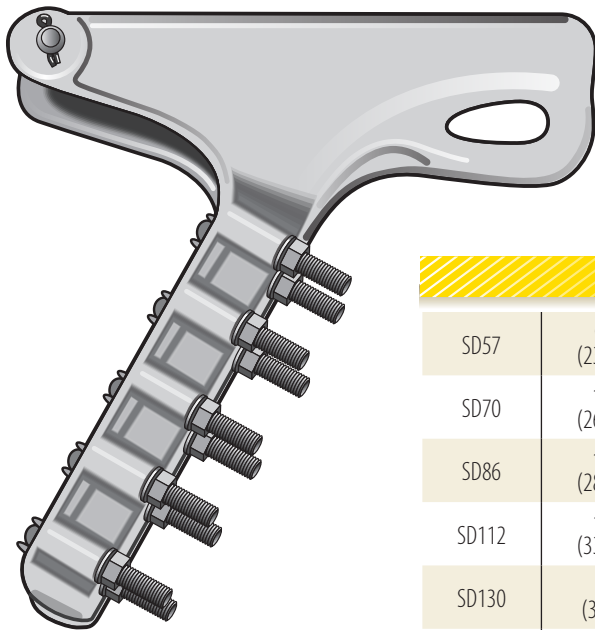
Quadrant Strain Clamp Aluminum

ALUMINUM

SD

For transmission line construction with all aluminum, ACSR or aluminum alloy conductor, or for Alumoweld® shield wire. See Catalog Reference section for maximum conductor temperature guidelines.

Material: Body and Keeper – aluminum alloy
 Hardware – galvanized steel
 Sockets – galvanized forged steel
 Cotter Pin – stainless steel



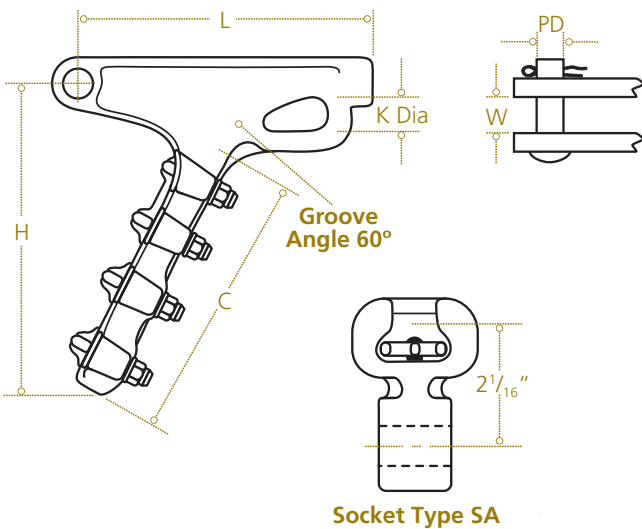
Bolted Deadends containing the 'CVN' suffix will come supplied with a Charpy Level 1 rated (20 Joules at -20 degrees C) load bearing clevis bolt and hardware galvanized per CSA G164.

Product Data and Conductor Size

SD57	9 ¹ / ₁₆ (230.19)	3 ⁴ / ₁₆ (19.05)	6 ³ / ₁₆ (171.45)	5 ¹ / ₈ (130.18)	1 ¹ / ₄ (31.75)	5 ⁸ / ₁₆ (15.88)
SD70	10 ¹ / ₄ (260.35)	1 ⁵ / ₁₆ (23.81)	8 ³ / ₁₆ (212.73)	6 ¹ / ₂ (165.10)	1 ¹ / ₄ (31.75)	5 ⁸ / ₁₆ (15.88)
SD86	11 ¹ / ₄ (285.75)	1 ¹ / ₁₆ (26.99)	9 ⁵ / ₁₆ (244.48)	7 ³ / ₁₆ (187.33)	1 ¹ / ₄ (31.75)	5 ⁸ / ₁₆ (15.88)
SD112	13 ³ / ₈ (333.38)	1 ³ / ₈ (34.93)	11 ¹ / ₂ (292.1)	8 ¹ / ₄ (209.6)	1 ³ / ₈ (34.33)	3 ⁴ / ₁₆ (19.05)
SD130	14 (355.6)	1 ⁷ / ₁₆ (36.51)	13 ¹ / ₈ (333.38)	9 ¹ / ₂ (241.3)	1 ¹ / ₂ (38.10)	3 ⁴ / ₁₆ (19.05)
SD155	15 ¹ / ₂ (393.70)	2 (50.8)	15 ³ / ₄ (400.05)	12 ³ / ₈ (314.32)	1 ¹ / ₂ (38.10)	3 ⁴ / ₁₆ (19.05)
SD185	17 (431.80)	1 ⁷ / ₈ (47.63)	18 (457.20)	12 ³ / ₈ (314.32)	1 ¹ / ₂ (38.10)	1 (25.40)

Deadends — Bolted

Quadrant Strain Clamp Aluminum (*continued*)



Bolted Deadends containing the 'CVN' suffix will come supplied with a Charpy Level 1 rated (20 Joules at -20 degrees C) load bearing clevis bolt and hardware galvanized per CSA G164.

Product Data and Conductor Size

Catalog Number	Fitting		Clamping Range			Ultimate Strength lb (kN)	U-Bolts		Approx Weight Each lb (kg)
	Type	Catalog Number	ACSR	Aluminum	Inches (mm)		No	Size Inches (mm)	
SD57NBNKCVN	None	SA04CVN	#4-6/1 to 266.8-26/7	#4-7 str to 300-37 str	.20-.64 (5.08-16.26)	15,000 (67)	3	1/2 (12.70)	3.2 (1.45)
SD70NBNKCVN SD70SBNKCVN	None Socket	— SA06CVN	#2-7/1 to 397.5-18/1	#1-7 str to 397.5-37 str	.30-.75 (7.62-19.05)	20,000 (89)	4	1/2 (12.70)	4.7 (2.14) 6.0 (2.72)
SD86NBNKCVN	None	—	#3/0-6/1 to 556-26/7	3/0-19 str to 650-61 str	.46-.94 (10.16-23.88)	25,000 (111)	4	1/2 (12.70)	5.4 (2.45)
SD112NBNKCVN SD112SBNKCVN	None Socket	— SA1013CVN	#3/0-6/1 to 954-54/7	4/0-19 str to 1033.5-61 str	.50-1.20 (12.80-30.48)	30,000 (133) 30,000 (133)	5	1/2 (12.70)	8.4 (3.81) 9.9 (4.5)
SD130NBNKCVN SD130SBNKCVN	None Socket	— SA1013CVN	336.4-26/7 to 1272-54/19	397.5-19 str to 1431-61 str	.70-1.39 (17.78-35.30)	35,000 (156) 30,000 (133)	5	5/8 (15.88)	13.2 (6.00) 15.3 (6.95)
SD155NBNKCVN	None	—	1,033.5 (36/1) to 1510.5 (54/19)	1,100-91 str to 1,700-127 str	1.18-1.55 (29.97-38.61)	35,000 (156)	5	5/8 (15.88)	15.5 (7.00)
SD185NBNKCVN	None	—	1,192.5 (45/7) to 2,156 (84/19)	1,272-61 str to 2,500-127 str	1.30-1.85 (33.02-46.99)	50,000 (222)	5	5/8 (15.88)	21.0 (9.53)

NOTE: Sag eye ultimate strength is 60% of clamp strength without fitting. Rated slip strength as a percentage of conductor RBS varies with conductor type, size and stranding. Minimum slip strength rating on standard strength conductors is 40% RBS (partial tension). For most standard strength conductors, minimum slip strength of this clamp series is 60% RBS (normal tension). Consult factory for slip strength test data on specific clamp and conductor combinations. Recommended torque on U-bolts: 1/2" — 480 in-lb, 5/8" — 720 in-lb. For corona-free applications on EHV lines, add suffix "CRF" to catalog number. Example SD130NCRF.

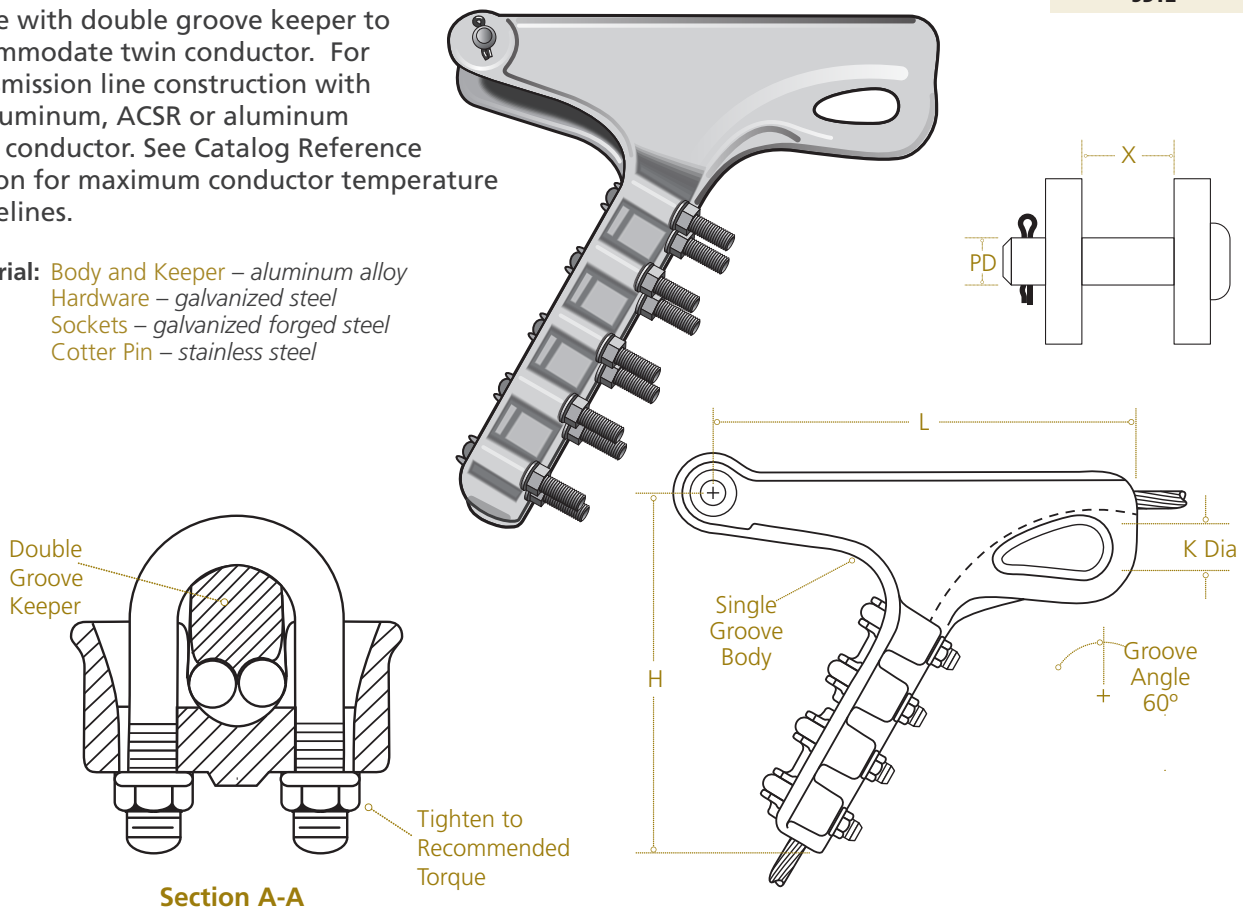
Deadends — Bolted

Double Groove Strain Clamp Aluminum

Made with double groove keeper to accommodate twin conductor. For transmission line construction with all aluminum, ACSR or aluminum alloy conductor. See Catalog Reference section for maximum conductor temperature guidelines.

Material: Body and Keeper – aluminum alloy
 Hardware – galvanized steel
 Sockets – galvanized forged steel
 Cotter Pin – stainless steel

ALUMINUM
SDT2



Bolted Deadends containing the 'CVN' suffix will come supplied with a Charpy Level 1 rated (20 Joules at -20 degrees C) load bearing clevis bolt and hardware galvanized per CSA G164.

Product Data and Conductor Size

Catalog Number	Fitting		Clamp Range			Ultimate Strength lb	U-Bolts No	Dimensions Inches					Approx Weight Each lb	
			ACSR	Aluminum	Inches			Size	L	H	K	PD		X
SDT286NBNKCVN	None	—	1/0-6/1 to 2/0-6/1	2/0-7 str to 2/0-19 str	.398 to .447	25,000	4	1/2	11 1/4	9 5/8	1 1/4	5/8	1 1/16	5.4
SDT2112NBNKCVN SDT2112SBNKCVN	None Socket	— SA1013CVN	3/0-6/1 to 4/0-6/1	4/0-7 str to 4/0-19 str	.502 to .562	30,000 30,000	5	1/2	13 3/8	11 1/2	1 3/8	3/4	1 3/8	8.4 9.9
SDT2185NBNKCVN	None	—	226.8-26/7 to 556.5-18/1	336.4-19 str to 556.5-37 str	.642 to .879	50,000	5	5/8	17	18	1 1/2	1	1 1/8	21.0

NOTE: Sag eye ultimate strength is 60% of clamp strength without fitting. Rated slip strength as a percentage of conductor RBS varies with conductor type, size and stranding. Minimum slip strength rating on standard strength conductors is 40% RBS (partial tension). For most standard strength conductors, minimum slip strength of this clamp series is 60% RBS (normal tension). Consult factory for slip strength test data on specific clamp and conductor combinations. Recommended torque on U-bolts: 1/2" — 480 in-lb, 5/8" — 720 in-lb. For corona-free applications on EHV lines, add suffix "CRF" to catalog number. Example SD130NCRF.

Deadends — Bolted

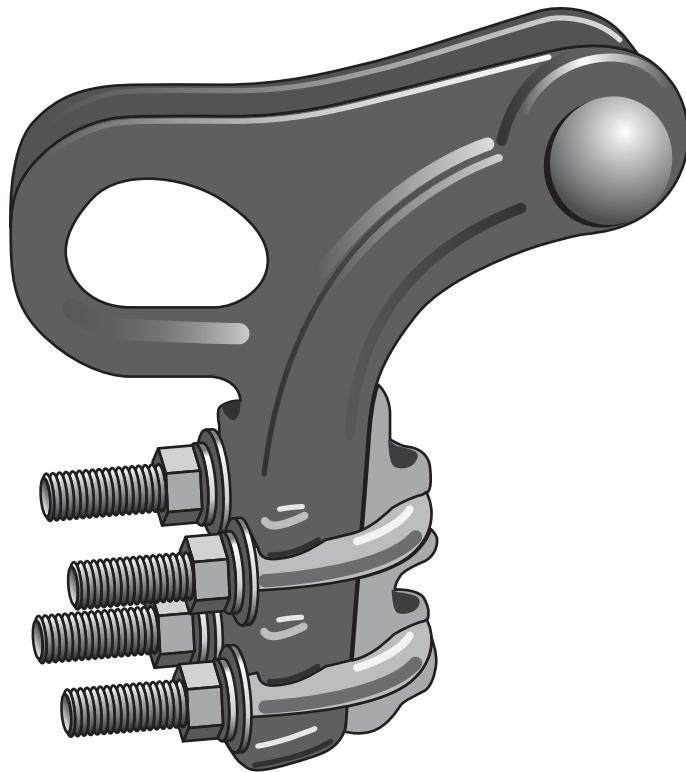
Quadrant Strain Clamp Aluminum

ALUMINUM

PG/DE

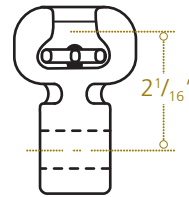
For distribution and light transmission construction with all aluminum, ACSR or aluminum alloy conductor. See Catalog Reference section for maximum conductor temperature guidelines.

Material: Body and Keeper – aluminum alloy
 Hardware – galvanized steel
 Sockets – galvanized forged steel
 Cotter Pin – stainless steel

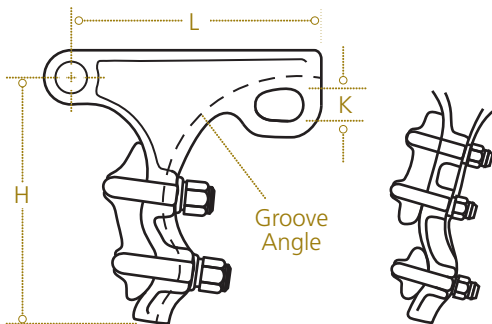


Product Data and Conductor Size

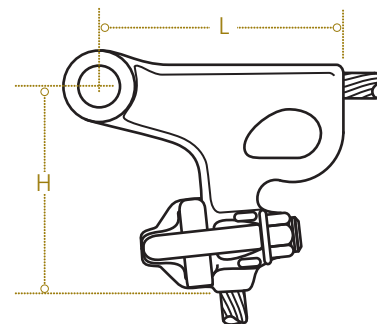
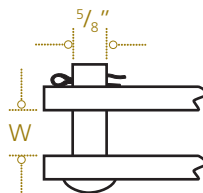
DE46	$3\frac{7}{8}$ (98.30)	$1\frac{1}{16}$ (17.46)	$3\frac{13}{16}$ (96.84)	$\frac{7}{8}$ (22.10)
PG46	$4\frac{1}{16}$ (103.18)	$1\frac{1}{16}$ (17.46)	$4\frac{3}{4}$ (120.65)	1 (25.40)
PG57	$5\frac{1}{2}$ (139.7)	$1\frac{1}{16}$ (17.46)	$5\frac{5}{16}$ (134.87)	1 (25.40)
PG70	$6\frac{7}{16}$ (163.51)	$2\frac{5}{32}$ (19.84)	7 (177.80)	$1\frac{1}{8}$ (28.58)
PG86	$12\frac{9}{16}$ (312.74)	$1\frac{1}{16}$ (26.99)	11 (279.40)	$1\frac{1}{4}$ (31.75)
PG86L	$6\frac{9}{16}$ (166.69)	$1\frac{1}{16}$ (26.99)	$7\frac{7}{16}$ (188.91)	1 (25.40)
PG100L	$9\frac{7}{8}$ (250.83)	$1\frac{3}{16}$ (30.16)	$9\frac{9}{16}$ (236.54)	$1\frac{1}{4}$ (31.75)



Socket Type SA



Type PG



Type DE46

Deadends — Bolted

Quadrant Strain Clamp Aluminum (*continued*)

Product Data and Conductor Size										
Catalog Number	Fitting		Clamping Range			Ultimate Strength lb (kN)	U-Bolts		Groove Angle	Approx Weight Each lb (kg)
	Type	Catalog Number	ACSR	Aluminum	Inches (mm)		No	Size Inches (mm)		
DE46NBNKCVN DE46SBNKCVN	None Socket	— SA04CVN	#6 (6/1) to 3/0 (6/1)	#6 -7 str to 3/0-19 str	.18-.52 (4.57-13.21)	8,000 (33)	1	1/2 (12.70)	85°	1.2 (.54) 2.2 (1.00)
PG46NBNKCVN ⁽¹⁾ PG46SBNKCVN	None Socket	— SA04CVN	#6 (6/1) to 3/0 (6/1)	#6 -7 str to 3/0-19 str	.18-.52 (4.57-13.21)	8,000 (33)	2	3/8 (9.53)	90°	1.1 (.50) 2.4 (1.08)
PG57NBNKCVN ⁽¹⁾ PG57SBNKCVN	None Socket	— SA04CVN	#4 (6/1) to (4/0 (6/1)	#3 -7 str to 4/0-19 str	.25-.57 (6.35-14.48)	10,000 (44)	2	1/2 (12.70)	90°	2.0 (.91) 3.2 (1.45)
PG70NBNKCVN PG70SBNKCVN	None Socket	— SA04CVN	101.8 (12/7) to 336.4 (26/7)	3/0 -7 str to 400-37 str	.46-.73 (11.68-18.54)	15,000 (67)	2	1/2 (12.70)	85°	2.5 (1.13) 3.8 (1.72)
PG86LBNKCVN	None	—	134.6 (12/7) to 556.5 (18/1)	4/0 -7 str to 556.5-37 str	.52-.88 (13.21-22.35)	15,000 (67)	2	1/2 (12.70)	70°	2.9 (1.32)
PG100LBNKCVN PG100LSBNKCVN	None Socket	— SA10CVN	3/0 (6/1) to 666.6 (24.7)	4/0 -7 str to 750-61 str	.50-1.00 (12.70-25.40)	18,000 (80)	2	1/2 (12.70)	60°	4.5 (2.04) 5.9 (2.68)

Bolted Deadends containing the 'CVN' suffix will come supplied with a Charpy Level 1 rated (20 Joules at -20 degrees C) load bearing clevis bolt and hardware galvanized per CSA G164.

NOTE: Sag eye ultimate strength is 60% of clamp strength without fitting. Rated slip strength as a percentage of conductor RBS varies with conductor type, size and stranding. Minimum slip strength rating on standard strength conductors is 40% RBS (partial tension). For many standard strength conductors, minimum slip strength of this clamp series is 60% RBS (normal tension). Consult factory for slip strength test data on specific clamp and conductor combinations. Recommended torque on U-bolts: 3/8" — 240 in-lb, 1/2" — 480 in-lb. Bolt and nut may be substituted for clevis pin by adding suffix "BNK" to catalog number.

(1) RUS Listed

Deadends — Bolted

Quadrant Strain Clamp Aluminum

These clamps are used primarily for deadending aluminum substation cable bus.

During installation the cable will slide free under the U- bolts, or if preferred, U-bolts may be removed and cable laid in clamp grooves from the side.

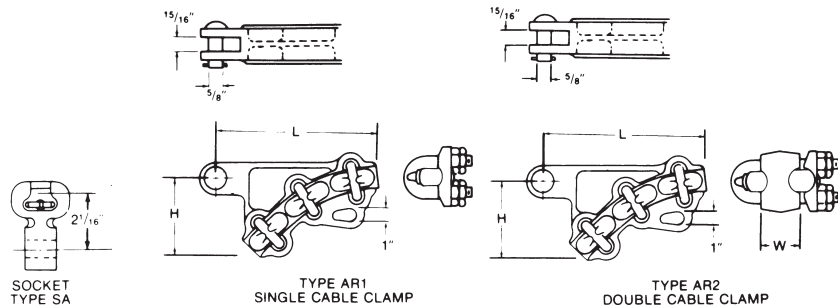
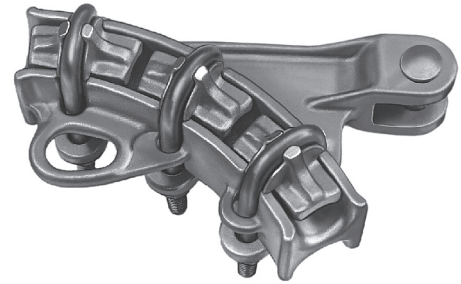
These clamps are compact for greatest phase clearance.

Material: Body and Keeper – aluminum alloy
 Hardware – galvanized steel
 Sockets – galvanized forged steel
 Cotter Pin – #302 stainless steel

Bolted Deadends containing the 'CVN' suffix will come supplied with a Charpy Level 1 rated (20 Joules at -20 degrees C) load bearing clevis bolt and hardware galvanized per CSA G164.

ALUMINUM

AR1/AR2



Product Data and Conductor Size

Catalog Number	Fitting		Clamping Range			Ultimate Body Strength lbs. (kn)	U-Bolts		Dimensions Inches (mm)			Approx. Weight Each lb (kg)
	Type	Catalog Number	ACSR	Aluminum	Inches (mm)		No	Size Inches (mm)	L	W	H	
AR1100NBKCVN AR1100SBKCVN	None Socket	-- SA06CVN	477 (18/1) to 874.5 (54/7)	500 to 1000 MCM	.811-1.152 (20.60-29.26)	15,000 (67)	3	1/2 (12.70)	9-1/8 (231.78)	--	3-7/8 (98.43)	3.5 (1.59) 4.8 (2.18)
AR1150NBKCVN AR1150SBKCVN	None Socket	-- SA06CVN	900 (54/7) to 1351.5 (45/7)	1000 to 1500 MCM	1.150-1.412 (29.21-35.86)	15,000 (67)	3	5/8 (15.88)	10-1/2 (266.70)	--	4-3/8 (111.13)	5.2 (2.36) 6.5 (2.95)
AR1200NBKCVN AR1200SBKCVN	None Socket	-- SA06CVN	1351.5 (45/7) to 1780 (84/19)	1500 to 2000 MCM	1.411-1.632 (35.84-41.45)	15,000 (67)	3	5/8 (15.88)	12-3/4 (323.85)	--	5 (127)	6.0 (2.72) 7.3 (3.31)
AR2025NBKCVN AR2025SBKCVN	None Socket	-- SA06CVN	1/0 (6/1) to 4/0 (6/1)	1/0 to 250-19 Str.	.365-.574 (9.27-14.58)	8,000 (36)	3	3/8 (9.53)	8-1/16 (204.7)	21/32 (16.67)	3-5/32 (80.17)	2.7 (1.22) 4.0 (1.81)
AR2050NBKCVN AR2050SBKCVN	None Socket	-- SA06CVN	159 (12/7) to 477 (36/1)	250 to 500 MCM	.574-.813 (14.58-20.65)	10,000 (44)	3	1/2 (12.70)	8-3/4 (222.25)	7/8 (22.23)	3-1/4 (82.55)	3.5 (1.59) 4.8 (2.18)
AR2100NBKCVN AR2100SBKCVN	None Socket	-- SA06CVN	477 (18/1) to 874.5 (54/7)	500 to 1000 MCM	.811-1.152 (20.60-29.26)	15,000 (67)	3	1/2 (12.70)	9-1/8 (231.78)	1-3/16 (30.16)	3-7/8 (98.43)	4.2 (1.91) 5.5 (2.49)
AR2150NBKCVN AR2150SBKCVN	None Socket	-- SA06CVN	900 (54/7) to 1351.5 (45/7)	1000 to 1500 MCM	1.150-1.412 (29.21-35.86)	15,000 (67)	3	5/8 (15.88)	10-1/2 (266.70)	1-21/32 (42.06)	4-3/8 (111.13)	7.5 (3.40) 8.8 (3.99)
AR2200NBKCVN AR2200SBKCVN	None Socket	-- SA06CVN	1351.5 (54/19) to 1780 (84/19)	1500 to 2000 MCM	1.411-1.630 (35.84-41.40)	15,000 (67)	3	5/8 (15.88)	12-3/4 (323.85)	2-3/32 (53.18)	5 (127)	8.5 (3.86) 9.8 (4.45)

- NOTES:** (1) Sag Eye Ultimate Strength is 60% of Ultimate Body Strength without fitting.
 (2) Rated slip strength as a % of conductor RBS varies with conductor type, size and stranding. Minimum slip strength rating on standard strength conductors is 40% RBS (Partial Tension). For many standard strength conductors, minimum slip strength of this clamp series is 60% RBS (Normal Tension). (Consult factory for slip strength test data on specific clamp & conductor combinations.)
 (3) Recommended torque on u-bolts: 3/8" -- 240 in-lbs., 1/2" -- 480 in-lbs.

Deadends — Bolted

Quadrant Strain Clamp Bronze

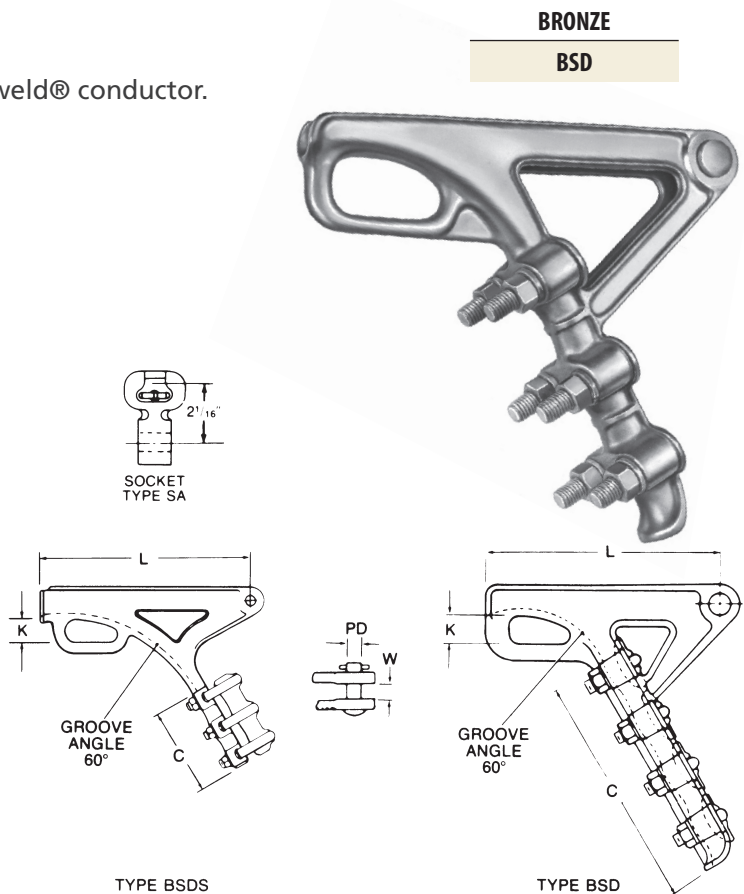
For heavy duty application using copper or Copperweld® conductor.

Material: Body – high strength aluminum bronze alloy
 Keeper – electrical bronze
 Hardware – galvanized steel
 Sockets – galvanized forged steel
 Cotter Pin – #302 stainless steel

Product Data and Conductor Size

BSD55	10 (254)	11/16 (17.46)	7-1/2 (190.50)	1-1/4 (31.75)	5/8 (15.88)
BSD68	11 (279.40)	3/4 (19.05)	9-1/2 (241.30)	1-5/16 (33.34)	5/8 (15.88)
BSD84	12 (304.80)	1 (25.40)	12 (304.80)	1-1/4 (31.75)	5/8 (15.88)
BSD112	13-1/8 (333.38)	1-3/8 (34.93)	8-1/4 (209.60)	1-1/2 (38.10)	3/4 (19.05)
BSD130	14 (355.60)	1-7/16 (36.51)	9-1/2 (241.30)	1-23/32 (43.7)	3/4 (19.05)

Bolted Deadends containing the 'CVN' suffix will come supplied with a Charpy Level 1 rated (20 Joules at -20 degrees C) load bearing clevis bolt and hardware galvanized per CSA G164.



Product Data and Conductor Size

Catalog Number	Fitting		Clamping Range		Ultimate Body Strength lbs. (kn)	U-Bolts		Approx. Weight Each lb (kg)
	Type	Catalog Number	Copper	Inches (mm)		No	Size Inches (mm)	
BSD55NBNKCVN BSD55SBNKCVN	None Socket	-- SA04CVN	#4 Sol.-4/0 Str.	.200-.500 (5.08-13.97)	18,000 (80)	3	1/2 (12.70)	6.4 (2.90) 7.7 (3.49)
BSD68NBNKCVN BSD68SBNKCVN	None Socket	-- SA04CVN	1/0 Sol.-350-19 Str.	.300-.680 (7.62-17.27)	25,000 (111) 20,000 (89)	4	1/2 (12.70)	8.7 (3.95) 10.0 (4.54)
BSD84NBNKCVN BSD84SBNKCVN	None Socket	-- SA06CVN	4/0 Str.-500 MCM	.475-.840 (12.07-21.34)	25,000 (111) 25,000 (111)	4	1/2 (12.70)	12.7 (5.76) 14.0 (6.35)
BSD112NBNKCVN BSD112SBNKCVN	None Socket	-- SA1013CVN	400-1000 MCM	.710-1.15 (18.03-29.21)	35,000 (156) 30,000 (133) 25,000 (111)	5	1/2 (12.70)	14.8 (6.71) 16.3 (7.39)
BSD130NBNKCVN BSD130SBNKCVN	None Socket	-- SA1113CVN	400-1500 MCM	.710-1.42 (18.03-36.07)	35,000 (156) 30,000 (133) 25,000 (111)	5	5/8 (15.88)	24.5 (11.11) 26.0 (11.79)

- NOTES:** (1) Sag Eye Ultimate Strength is 60% of Ultimate Body Strength without fitting.
 (2) Rated slip strength as a % of conductor RBS varies with conductor type, size and stranding. Minimum slip strength rating on standard strength conductors is 40% RBS (Partial Tension). For many standard strength conductors, minimum slip strength of this clamp series is 60% RBS (Normal Tension). (Consult factory for slip strength test data on specific clamp & conductor combinations.)
 (3) Recommended torque on u-bolts: 1/2" -- 480 in-lbs., 5/8" -- 720 in-lbs.

Deadends — Bolted

Quadrant Strain Clamp Bronze

These clamps are used primarily for deadending copper substation cable bus.

When installing, cable will slide freely under the U-bolts. If preferred, U-bolts may be removed and cable laid in clamp grooves from the side.

These clamps are compact for greatest phase clearance.

Material: Body and Keeper – high strength bronze

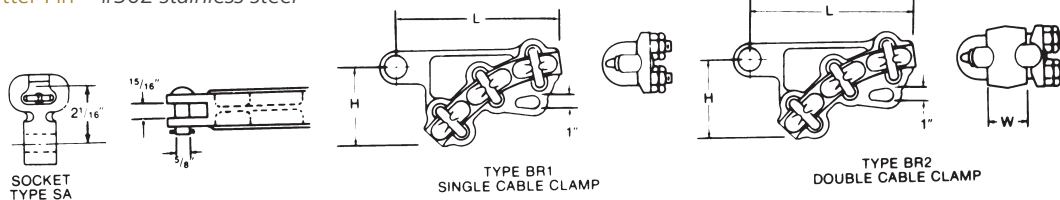
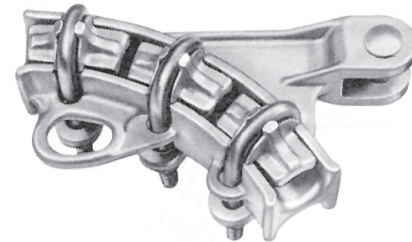
Hardware – galvanized steel

Sockets – galvanized forged steel

Cotter Pin – #302 stainless steel

BRONZE

BR1/BR2



Bolted Deadends containing the 'CVN' suffix will come supplied with a Charpy Level 1 rated (20 Joules at -20 degrees C) load bearing clevis bolt and hardware galvanized per CSA G164.

Product Data and Conductor Size

Catalog Number	Fitting		Clamping Range		Ultimate Body Strength lbs. (kn)	U-Bolts		Dimensions Inches (mm)			Approx. Weight Each lb (kg)
	Type	Catalog Number	Copper	Inches (mm)		No	Size Inches (mm)	L	W	H	
BR1025NBKCVN BR1025SBKCVN	None Socket	-- SA06CVN	2/0 Sol. to 250-19 Str.	.365-.574 (9.27-14.58)	8,000 (36)	3	3/8 (9.53)	8-1/16 (204.79)	--	3-5/32 (80.17)	5.4 (2.45) 6.7 (3.04)
BR1050NBKCVN BR1050SBKCVN	None Socket	-- SA06CVN	250-19 Str. to 500 MCM	.574-.813 (14.58-20.65)	10,000 (44)	3	1/2 (12.70)	8-7/8 (225.43)	--	3-3/8 (85.73)	7.0 (3.18) 8.3 (3.76)
BR1100NBKCVN BR1100SBKCVN	None Socket	-- SA06CVN	500 to 1000 MCM	.811-1.152 (20.60-29.26)	15,000 (67)	3	1/2 (12.70)	9-1/8 (231.78)	--	3-7/8 (98.43)	9.2 (4.17) 10.5 (4.76)
BR1150NBKCVN BR1150SBKCVN	None Socket	-- SA06CVN	1000 to 1500 MCM	1.150-1.412 (29.21-35.86)	15,000 (67)	3	5/8 (15.88)	10-1/2 (266.70)	--	4-3/8 (111.13)	13.4 (6.08) 14.7 (3.67)
BR1200NBKCVN BR1200SBKCVN	None Socket	-- SA06CVN	1500 MCM to 2000-Str.	1.411-1.632 (35.84-41.40)	15,000 (67)	3	5/8 (15.88)	12-3/4 (323.85)	--	5 (127)	15.0 (6.80) 16.3 (7.39)
BR2025NBKCVN BR2025SBKCVN	None Socket	-- SA06CVN	2/0 Sol. to 250-19 Str.	.365-.574 (9.27-14.58)	8,000 (36)	3	3/8 (9.53)	8-1/16 (204.79)	21/32 (16.67)	3-5/32 (80.17)	5.7 (2.59) 7.0 (3.18)
BR2050NBKCVN BR2050SBKCVN	None Socket	-- SA06CVN	250-19 Str. to 500 MCM	.574-.813 (14.58-20.65)	10,000 (44)	3	1/2 (12.70)	8-3/4 (222.25)	7/8 (22.23)	3-1/4 (82.55)	10.0 (4.54) 11.3 (5.13)
BR2100NBKCVN BR2100SBKCVN	None Socket	-- SA06CVN	500 to 1000 MCM	.811-1.152 (20.60-29.26)	15,000 (67)	3	1/2 (12.70)	9-1/8 (231.78)	1-3/16 (30.16)	3-7/8 (98.43)	14.0 (6.35) 15.3 (6.95)

- NOTES:** (1) Sag Eye Ultimate Strength is 60% of Ultimate Body Strength without fitting.
 (2) Rated slip strength as a % of conductor RBS varies with conductor type, size and stranding. Minimum slip strength rating on standard strength conductors is 40% RBS (Partial Tension). For many standard strength conductors, minimum slip strength of this clamp series is 60% RBS (Normal Tension). (Consult factory for slip strength test data on specific clamp & conductor combinations.)
 (3) Recommended torque on u-bolts: 3/8" -- 240 in-lbs., 1/2" -- 480 in-lbs.

Deadends — Bolted

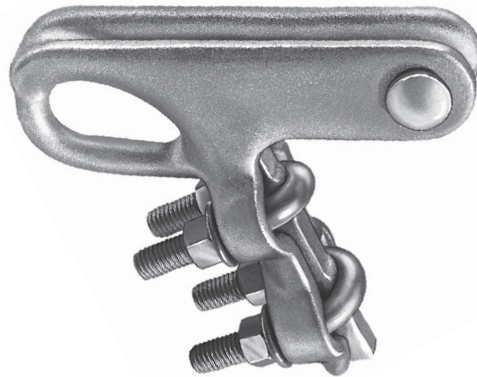
Quadrant Strain Clamp Ductile Iron

DUCTILE IRON

SWDE/MD

For deadending static wires. May be used to deadend copper or Copperweld® phase conductors. Magnetic induction heating will occur.

Material: Body and Keeper – galvanized ductile iron
Sockets – galvanized forged steel
Cotter Pin – stainless steel



Product Data and Conductor Size

Catalog Number	Dimensions Inches (mm)			
	L	H	C	W
MD52N MD52S	2 ²⁵ / ₃₂ (70.61)	4 ³ / ₃₂ (103.89)	2 ¹ / ₈ (54.10)	5 ⁵ / ₈ (15.88)
SWDE46N SWDE46S	6 (152.40)	5 ¹ / ₂ (139.70)	4 ³ / ₈ (111.12)	5 ⁵ / ₈ (15.88)
SWDE55N SWDE55S	8 (203.20)	8 ⁵ / ₈ (219.08)	7 ³ / ₈ (187.33)	1 ¹ / ₁₆ (17.46)
SWDE84N SWDE84S	10 ³ / ₄ (273.05)	10 ⁵ / ₈ (270.00)	8 ⁷ / ₁₆ (214.38)	1 ⁵ / ₁₆ (23.88)

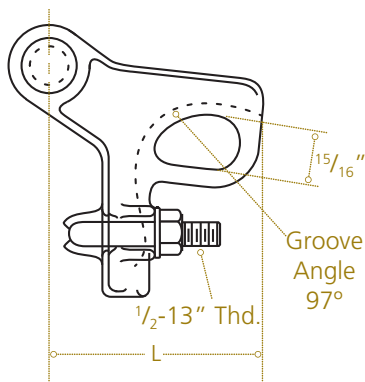
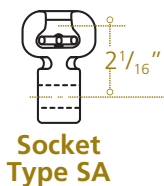


Figure 4



Socket Type SA

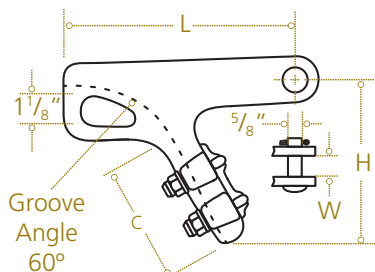


Figure 1

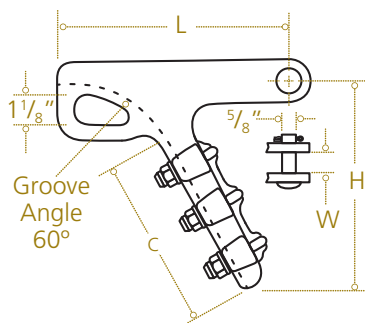


Figure 2

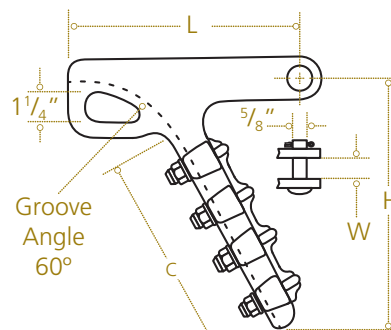


Figure 3

Deadends — Bolted

Quadrant Strain Clamp Ductile Iron (continued)

Product Data and Cable Size												
Catalog Number	Fitting		Figure Number	Clamping Range				Inches (mm)	Ultimate Strength lb (kN)	U-Bolts		Approx Wt Each lb (kg)
	Type	Catalog Number		Galvanized Steel			Copper			No	Size Inches (mm)	
				Diameter	No Str	Grade						
MD52NBNKCVN MD52SBNKCVN	None Socket	— SA04CVN	4	ACSR #6 (6/1) 4/0 (6/1)	—	—	# 6 sol to 4/0 str	.160-.563 (4.06-14.30)	12,000 (53)	1	½ (12.70)	1.9 (.86) 3.2 (1.45)
SWDE46NBNKCVN SWDE46SBNKCVN	None Socket	— SA04CVN	1	3/8 (9.53) 7/16 (11.11) 3/16 (4.76)	7 7 7	Utilities High str Utilities	# 6 str to 4/0 sol	.18-.46 (4.57-11.68)	15,000 (67) 15,000 (67)	2	½ (12.70)	4.1 (1.86) 5.4 (2.45)
SWDE55NBNKCVN SWDE55SBNKCVN	None Socket	— SA04CVN	2	1/4 (6.35) 9/32 (7.14) 5/16 (7.94) 3/8 (9.53) 7/16 (11.11) 1/2 (12.70)	7 7 7 7	All Grades Within Clamping And	# 4 (7) to 4/0 (19)	.22-.55 (5.59-13.97)	19,000 (85) 18,000 (80)	3	½ (12.70)	6.0 (3.08) 8.0 (3.63)
SWDE84NBNKCVN	None	—	3	3/8 (9.53) through 3/4 (19.05)	7 7 7	Strength Rating	2/0 sol to 500 str	.36-.84 (8.89-21.34)	30,000 (133)	4	½ (12.70)	11.0 (4.99)

NOTE: Sag eye ultimate strength is 60% of clamp strength without fitting. Rated slip strength as a percentage of conductor RBS varies with cable size and stranding. Minimum slip strength on standard shield wire cables is 40% RBS (partial tension). For many shield wire cables, minimum slip strength of this clamp series is 60% RBS (normal tension). Consult factory for slip strength test data on specific clamp and conductor combinations. Recommended torque on U-bolts: ½" — 480 in-lb. Bolt and nut may be substituted for clevis pin by adding suffix "BNK" to catalog number.

Deadends — Compression

Uni-Grip® (One Die) Eye Type, Single Tongue ACSR Conductors

ALUMINUM/STEEL

A01/A03

Full tension deadend assembly for ACSR conductors consists of a prefilled aluminum deadend body precompressed onto a steel eye, a prefilled 15° jumper terminal, mounting hardware and core gripping unit. Uni-Grip Deadends and Jumper terminals for conductors 1.00 inch diameter or larger are EHV rated.

Material: Body – seamless extruded aluminum alloy tube
 Eye – galvanized forged steel
 Terminal – seamless extruded aluminum alloy tube
 Hardware – aluminum alloy

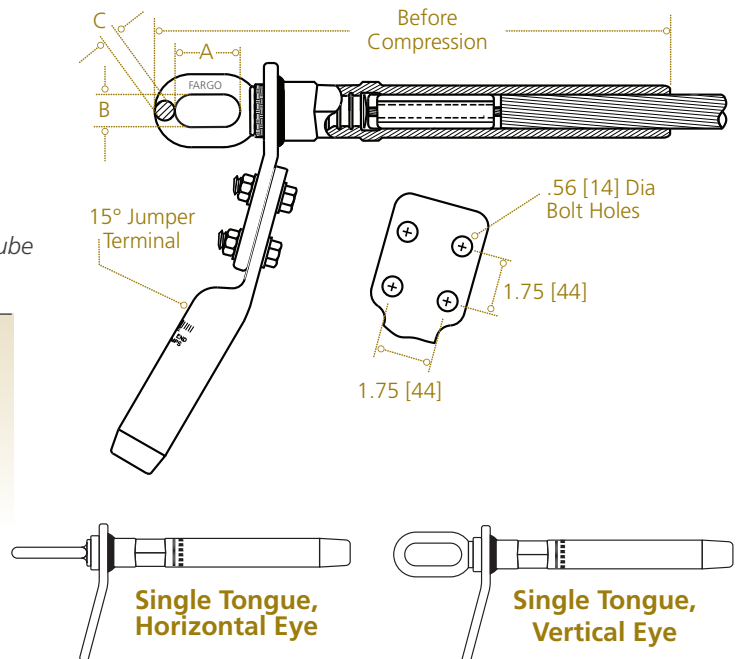
IDENTIFICATION:

DEADEND & TERMINAL:

Conductor Type & Diameter Range
 Die Size, Minimum Press Size
 Part Number, Date Code

CORE GRIPPING UNIT:

Conductor, Size & Stranding



Compression Deadends containing the 'CVN' suffix will come supplied with a Charpy Level 1 rated (20 Joules at -20 degrees C) steel eye galvanized per CSA G164.

Product Data and Conductor Size

Vertical Eye Catalog Number	Horizontal Eye Catalog Number	Kcmil	Stranding AL/ST	Code Word	Outside Diameter Inches	Length Before Compression Inches (mm)	A	B	C	Pad Width	Bolt Holes	Die Size	Minimum Press Size Tons
A010710CVN	A030710CVN	266.8	26/7	Partridge	0.642	12.2 (310)	2.0 (50)	1.0 (25)	.41 (10)	2.0 (50)	2	07CD	12
A010812CVN	A030812CVN	336.4	18/1	Merlin	0.684	13.2 (336)	2.0 (50)	1.0 (25)	.41 (10)	2.0 (50)	2	08CD	12
A010813CVN	A030813CVN	336.4	26/7	Linnet	0.72	13.2 (336)	2.0 (50)	1.0 (25)	.41 (10)	2.0 (50)	2	08CD	12
A010914CVN	A030914CVN	336.4	30/7	Oriole	0.741	13.2 (336)	2.0 (50)	1.0 (25)	.41 (10)	2.0 (50)	2	09CD	12
A010815CVN	A030815CVN	397.5	18/1	Chickadee	0.743	13.2 (336)	2.0 (50)	1.0 (25)	.41 (10)	2.0 (50)	2	08CD	12
A010917CVN	A030917CVN	397.5	26/7	Ibis	0.783	14.0 (356)	2.0 (50)	1.0 (25)	.52 (13)	2.0 (50)	2	09CD	12
A010919CVN	A030919CVN	477.0	18/1	Pelican	0.814	14.0 (356)	2.0 (50)	1.0 (25)	.52 (13)	2.0 (50)	2	09CD	12
A010920CVN	A030920CVN	477.0	24/7	Flicker	0.846	14.0 (356)	2.0 (50)	1.0 (25)	.52 (13)	2.0 (50)	2	09CD	12
A0110211CVN	A0310211CVN	477.0	26/7	Hawk	0.858	14.9 (378)	2.0 (50)	1.0 (25)	.52 (13)	2.0 (50)	2	10CD	60

Deadends — Compression

Compression Deadends containing the 'CVN' suffix will come supplied with a Charpy Level 1 rated (20 Joules at -20 degrees C) steel eye galvanized per CSA G164.

Product Data and Conductor Size (continued)

Vertical Eye Catalog Number	Horizontal Eye Catalog Number	Kcmil	Stranding AL/ST	Code Word	Outside Diameter Inches	Length Before Compression Inches (mm)	A	B	C	Pad Width	Bolt Holes	Die Size	Minimum Press Size Tons
A011122CVN	A031122CVN	477.0	30/7	Hen	0.883	16.3 (413)	2.0 (50)	1.0 (25)	.62 (15)	3.0 (76)	4	11CD	60
A011023CVN	A031023CVN	556.5	18/1	Osprey	0.879	14.9 (378)	2.0 (50)	1.0 (25)	.52 (13)	2.0 (50)	2	10CD	60
A011024CVN	A031024CVN	556.5	24/7	Parakeet	0.914	14.9 (378)	2.0 (50)	1.0 (25)	.52 (13)	2.0 (50)	2	10CD	60
A011025CVN	A031025CVN	556.5	26/7	Dove	0.927	14.9 (378)	2.0 (50)	1.0 (25)	.52 (13)	2.0 (50)	2	10CD	60
A011126CVN	A031126CVN	556.5	30/7	Eagle	0.953	16.3 (413)	2.0 (50)	1.0 (25)	.62 (15)	3.0 (76)	4	11CD	60
A011127CVN	A031127CVN	605.0	24/7	Peacock	0.953	16.3 (413)	2.0 (50)	1.0 (25)	.62 (15)	3.0 (76)	4	11CD	60
A011128CVN	A031128CVN	605.0	26/7	Squab	0.966	16.3 (413)	2.0 (50)	1.0 (25)	.62 (15)	3.0 (76)	4	11CD	60
A011030CVN	A031030CVN	636.0	36/1	Swift	0.93	14.9 (378)	2.0 (50)	1.0 (25)	.52 (13)	2.0 (50)	2	10CD	60
A011031CVN	A031031CVN	636.0	18/1	Kingbird	0.94	14.9 (378)	2.0 (50)	1.0 (25)	.52 (13)	2.0 (50)	2	10CD	60
A011132CVN	A031132CVN	636.0	24/7	Rook	0.977	16.3 (413)	2.0 (50)	1.0 (25)	.62 (15)	3.0 (76)	4	11CD	60
A011133CVN	A031133CVN	636.0	26/7	Grosbeak	0.99	16.3 (413)	2.0 (50)	1.0 (25)	.62 (15)	3.0 (76)	4	11CD	60
A011234CVN	A031234CVN	636.0	30/19	Egret	1.019	17.2 (436)	2.0 (50)	1.0 (25)	.62 (15)	3.0 (76)	4	12CD	60
A011136CVN	A031136CVN	666.6	24/7	Flamingo	1	16.3 (413)	2.0 (50)	1.0 (25)	.62 (15)	3.0 (76)	4	11CD	60
A011137CVN	A031137CVN	666.6	26/7	Gannett	1.014	16.3 (413)	2.0 (50)	1.0 (25)	.62 (15)	3.0 (76)	4	11CD	60
A011138CVN	A031138CVN	715.5	24/7	Stilt	1.036	16.3 (413)	2.0 (50)	1.0 (25)	.62 (15)	3.0 (76)	4	11CD	60
A011239CVN	A031239CVN	715.5	26/7	Starling	1.051	17.2 (436)	2.0 (50)	1.0 (25)	.62 (15)	3.0 (76)	4	12CD	60
A011141CVN	A031141CVN	795.0	36/1	Coot	1.04	16.3 (413)	2.0 (50)	1.0 (25)	.62 (15)	3.0 (76)	4	11CD	60
A011242CVN	A031242CVN	795.0	45/7	Tern	1.063	17.2 (436)	2.0 (50)	1.0 (25)	.62 (15)	3.0 (76)	4	12CD	60
A0112431CVN	A0312431CVN	795.0	24/7	Cuckoo	1.092	17.2 (436)	2.0 (50)	1.0 (25)	.62 (15)	3.0 (76)	4	12CD	60
A0112441CVN	A0312441CVN	795.0	54/7	Condor	1.092	17.2 (436)	2.0 (50)	1.0 (25)	.62 (15)	3.0 (76)	4	12CD	60
A0112451CVN	A0312451CVN	795.0	26/7	Drake	1.108	17.2 (436)	2.0 (50)	1.0 (25)	.62 (15)	3.0 (76)	4	12CD	60
A011346DECVN	A031346CVN	795.0	30/19	Mallard	1.14	19.6 (496)	2.5 (63)	1.2 (30)	.78 (19)	3.0 (76)	4	13CD	60
A011247CVN	A031247CVN	900.0	45/7	Ruddy	1.131	17.2 (436)	2.0 (50)	1.0 (25)	.62 (15)	3.0 (76)	4	12CD	60

Deadends — Compression

Compression Deadends containing the 'CVN' suffix will come supplied with a Charpy Level 1 rated (20 Joules at -20 degrees C) steel eye galvanized per CSA G164.

Product Data and Conductor Size (continued)

Vertical Eye Catalog Number	Horizontal Eye Catalog Number	Kcmil	Stranding AL/ST	Code Word	Outside Diameter Inches	Length Before Compression Inches (mm)	A	B	C	Pad Width	Bolt Holes	Die Size	Minimum Press Size Tons
A011348CVN	A031348CVN	900.0	54/7	Canary	1.162	19.6 (496)	2.5 (63)	1.2 (30)	.78 (19)	3.0 (76)	4	13CD	60
A011350CVN	A031350CVN	954.0	45/7	Rail	1.165	19.6 (496)	2.5 (63)	1.2 (30)	.78 (19)	3.0 (76)	4	13CD	60
A0113511CVN	A0313511CVN	954.0	54/7	Cardinal	1.196	19.6 (496)	2.5 (63)	1.2 (30)	.78 (19)	3.0 (76)	4	13CD	60
A011353CVN	A031353CVN	1033.5	45/7	Ortolan	1.212	19.6 (496)	2.5 (63)	1.2 (30)	.78 (19)	3.0 (76)	4	13CD	60
A011454CVN	A031454CVN	1033.5	54/7	Curlew	1.245	20.6 (522)	2.5 (63)	1.2 (30)	.78 (19)	3.0 (76)	4	14CD	60
A011455CVN	A031455CVN	1113.0	45/7	Bluejay	1.259	20.6 (522)	2.5 (63)	1.2 (30)	.78 (19)	3.0 (76)	4	14CD	60
A011456DECVN	A031456CVN	1113.0	54/19	Finch	1.293	20.6 (522)	2.5 (63)	1.2 (30)	.78 (19)	3.0 (76)	4	14CD	60
A011457CVN	A031457CVN	1192.5	45/7	Bunting	1.302	20.6 (522)	2.5 (63)	1.2 (30)	.78 (19)	3.0 (76)	4	14CD	60
A011558CVN	A031558CVN	1192.5	54/19	Grackle	1.338	21.5 (545)	2.5 (63)	1.2 (30)	.78 (19)	3.0 (76)	4	15CD	60
A0115591CVN	A0315591CVN	1272.0	45/7	Bittern	1.345	21.5 (545)	2.5 (63)	1.2 (30)	.78 (19)	3.0 (76)	4	15CD	60
A011560CVN	A031560CVN	1272.0	54/19	Pheasant	1.382	21.5 (545)	2.5 (63)	1.2 (30)	.78 (19)	3.0 (76)	4	15CD	60
A011561CVN	A031561CVN	1351.5	45/7	Dipper	1.386	21.5 (545)	2.5 (63)	1.2 (30)	.78 (19)	3.0 (76)	4	15CD	60
A011562CVN	A031562CVN	1351.5	54/19	Martin	1.424	21.5 (545)	2.5 (63)	1.2 (30)	.78 (19)	3.0 (76)	4	15CD	60
A011663CVN	A031663CVN	1431.0	45/7	Bobolink	1.427	23.5 (596)	2.5 (63)	1.2 (30)	.94 (23)	3.0 (76)	4	16CD	60
A011667CVN	A031667CVN	1590.0	45/7	Lapwing	1.504	23.5 (596)	2.5 (63)	1.2 (30)	.94 (23)	3.0 (76)	4	16CD	60
A0117681CVN	A0317681CVN	1590.0	54/19	Falcon	1.545	24.4 (621)	2.5 (63)	1.2 (30)	.94 (23)	4.0 (101)	4	17CD	60
A011769CVN	A031769CVN	1780.0	84/19	Chukar	1.602	24.4 (621)	2.5 (63)	1.2 (30)	.94 (23)	4.0 (101)	4	17CD	60
A011871CVN	A031871CVN	2034.5	72/7	Mockingbird	1.681	25.3 (643)	2.5 (63)	1.2 (30)	.94 (23)	4.0 (101)	4	18CD	100
A011972CVN	A031972CVN	2156.0	84/19	Bluebird	1.762	25.3 (643)	3.0 (76)	1.5 (38)	1.1 (27)	4.0 (101)	4	19CD	100
A011973CVN	A031973CVN	2167.0	72/7	Kiwi	1.735	25.3 (643)	3.0 (76)	1.5 (38)	1.1 (27)	4.0 (101)	4	19CD	100
A011974CVN	A031974CVN	2312.0	76/19	Thrasher	1.802	25.3 (643)	3.0 (76)	1.5 (38)	1.1 (27)	4.0 (101)	4	19CD	100
A012075CVN	A032075CVN	2515.0	76/19	Joree	1.808	28.7 (729)	3.0 (76)	1.5 (38)	1.1 (27)	4.0 (101)	4	20CD	100

NOTE: For XL repair deadend add suffix "XL" and repair cutoff length in inches. Example: A0112451XL24. Suffix "NT" omits jumper terminal. Example: A0112451NT. Suffix "NPNT" omits both jumper terminal and deadend tongue. Example: A0112451NPNT. Consult factory for Self-Dampening (SD), Trapezoidal (TW) and Metric ACSR Conductors.

Deadends — Compression

Uni-Grip® (One Die) Eye Type, Double Tongue ACSR Conductors

Full tension deadend assembly for ACSR conductors consists of a prefilled aluminum deadend body precompressed onto a steel eye, two prefilled 15° jumper terminals, mounting hardware and core wire gripping unit.

Material: Body – seamless extruded aluminum alloy tube
 Eye – galvanized forged steel
 Terminal – seamless extruded aluminum alloy tube
 Hardware – aluminum alloy

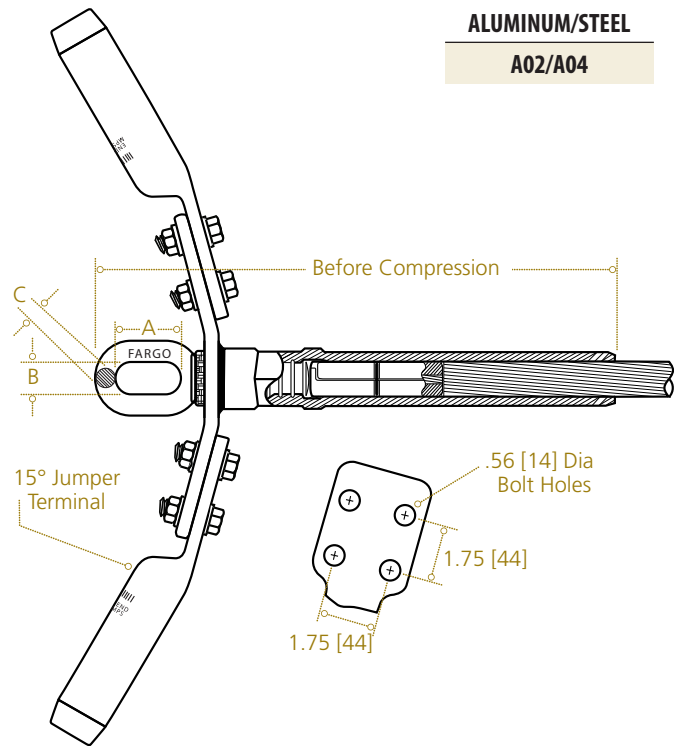
IDENTIFICATION:

DEADEND & TERMINAL:

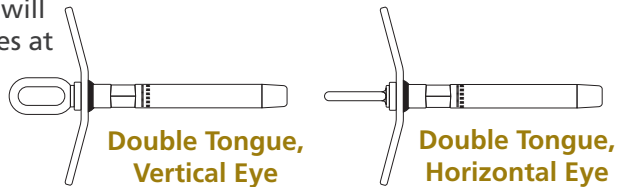
Conductor Type & Diameter Range
 Die Size, Minimum Press Size
 Part Number, Date Code

CORE GRIPPING UNIT:

Conductor, Size & Stranding



Compression Deadends containing the 'CVN' suffix will come supplied with a Charpy Level 1 rated (20 Joules at -20 degrees C) steel eye galvanized per CSA G164.



Product Data and Conductor Size

Vertical Eye Catalog Number	Horizontal Eye Catalog Number	Kcmil	Stranding AL/ST	Code Word	Outside Diameter Inches	Length Before Compression Inches (mm)	A	B	C	Pad Width	Bolt Holes	Die Size	Minimum Press Size Tons
A020710CVN	A040710CVN	266.8	26/7	Partridge	0.642	12.2 (310)	2.0 (50)	1.0 (25)	.41 (10)	2.0 (50)	2	07CD	12
A020812CVN	A040812CVN	336.4	18/1	Merlin	0.684	13.2 (336)	2.0 (50)	1.0 (25)	.41 (10)	2.0 (50)	2	08CD	12
A020813CVN	A040813CVN	336.4	26/7	Linnet	0.72	13.2 (336)	2.0 (50)	1.0 (25)	.41 (10)	2.0 (50)	2	08CD	12
A020914CVN	A040914CVN	336.4	30/7	Oriole	0.741	13.2 (336)	2.0 (50)	1.0 (25)	.41 (10)	2.0 (50)	2	09CD	12
CVNA020815	A040815CVN	397.5	18/1	Chickadee	0.743	13.2 (336)	2.0 (50)	1.0 (25)	.41 (10)	2.0 (50)	2	08CD	12
A020917CVN	A040917CVN	397.5	26/7	Ibis	0.783	14.0 (356)	2.0 (50)	1.0 (25)	.52 (13)	2.0 (50)	2	09CD	12
A020919CVN	A040919CVN	477.0	18/1	Pelican	0.814	14.0 (356)	2.0 (50)	1.0 (25)	.52 (13)	2.0 (50)	2	09CD	60

Deadends — Compression

Compression Deadends containing the 'CVN' suffix will come supplied with a Charpy Level 1 rated (20 Joules at -20 degrees C) steel eye galvanized per CSA G164.

Product Data and Conductor Size (continued)

Vertical Eye Catalog Number	Horizontal Eye Catalog Number	Kcmil	Stranding AL/ST	Code Word	Outside Diameter Inches	Length Before Compression Inches (mm)	A	B	C	Pad Width	Bolt Holes	Die Size	Minimum Press Size Tons
A020920CVN	A040920	477.0	24/7	Flicker	0.846	14.0 (356)	2.0 (50)	1.0 (25)	.52 (13)	2.0 (50)	2	09CD	60
A0210211CVN	A0410211	477.0	26/7	Hawk	0.858	14.9 (378)	2.0 (50)	1.0 (25)	.52 (13)	2.0 (50)	2	10CD	60
A021122CVN	A041122CVN	477.0	30/7	Hen	0.883	16.3 (413)	2.0 (50)	1.0 (25)	.62 (15)	3.0 (76)	4	11CD	60
A021023CVN	A041023CVN	556.5	18/1	Osprey	0.879	14.9 (378)	2.0 (50)	1.0 (25)	.52 (13)	2.0 (50)	2	10CD	60
A021024CVN	A041024CVN	556.5	24/7	Parakeet	0.914	14.9 (378)	2.0 (50)	1.0 (25)	.52 (13)	2.0 (50)	2	10CD	60
A021025CVN	A041025CVN	556.5	26/7	Dove	0.927	14.9 (378)	2.0 (50)	1.0 (25)	.52 (13)	2.0 (50)	2	10CD	60
A021126CVN	A041126CVN	556.5	30/7	Eagle	0.953	16.3 (413)	2.0 (50)	1.0 (25)	.62 (15)	3.0 (76)	4	11CD	60
A021127CVN	A041127CVN	605.0	24/7	Peacock	0.953	16.3 (413)	2.0 (50)	1.0 (25)	.62 (15)	3.0 (76)	4	11CD	60
A021128CVN	A041128CVN	605.0	26/7	Squab	0.966	16.3 (413)	2.0 (50)	1.0 (25)	.62 (15)	3.0 (76)	4	11CD	60
A021030CVN	A041030CVN	636.0	36/1	Swift	0.93	14.9 (378)	2.0 (50)	1.0 (25)	.52 (13)	2.0 (50)	2	10CD	60
A021031CVN	A041031CVN	636.0	18/1	Kingbird	0.94	14.9 (378)	2.0 (50)	1.0 (25)	.52 (13)	2.0 (50)	2	10CD	60
A021132CVN	A041132CVN	636.0	24/7	Rook	0.977	16.3 (413)	2.0 (50)	1.0 (25)	.62 (15)	3.0 (76)	4	11CD	60
A021133CVN	A041133CVN	636.0	26/7	Grosbeak	0.99	16.3 (413)	2.0 (50)	1.0 (25)	.62 (15)	3.0 (76)	4	11CD	60
A021234CVN	A041234CVN	636.0	30/19	Egret	1.019	17.2 (436)	2.0 (50)	1.0 (25)	.62 (15)	3.0 (76)	4	12CD	60
A021136CVN	A041136CVN	666.6	24/7	Flamingo	1	16.3 (413)	2.0 (50)	1.0 (25)	.62 (15)	3.0 (76)	4	11CD	60
A021137CVN	A041137CVN	666.6	26/7	Gannett	1.014	16.3 (413)	2.0 (50)	1.0 (25)	.62 (15)	3.0 (76)	4	11CD	60
A021138CVN	A041138CVN	715.5	24/7	Stilt	1.036	16.3 (413)	2.0 (50)	1.0 (25)	.62 (15)	3.0 (76)	4	11CD	60
A021239CVN	A041239CVN	715.5	26/7	Starling	1.051	17.2 (436)	2.0 (50)	1.0 (25)	.62 (15)	3.0 (76)	4	12CD	60
A021141CVN	A041141CVN	795.0	36/1	Coot	1.04	16.3 (413)	2.0 (50)	1.0 (25)	.62 (15)	3.0 (76)	4	11CD	60
A021242CVN	A041242CVN	795.0	45/7	Tern	1.063	17.2 (436)	2.0 (50)	1.0 (25)	.62 (15)	3.0 (76)	4	12CD	60
A0212431CVN	A0412431CVN	795.0	24/7	Cuckoo	1.092	17.2 (436)	2.0 (50)	1.0 (25)	.62 (15)	3.0 (76)	4	12CD	60
A0212441CVN	A0412441CVN	795.0	54/7	Condor	1.092	17.2 (436)	2.0 (50)	1.0 (25)	.62 (15)	3.0 (76)	4	12CD	60
A0212451CVN	A0412451CVN	795.0	26/7	Drake	1.108	17.2 (436)	2.0 (50)	1.0 (25)	.62 (15)	3.0 (76)	4	12CD	60

Deadends — Compression

Product Data and Conductor Size (continued)

Vertical Eye Catalog Number	Horizontal Eye Catalog Number	Kcmil	Stranding AL/ST	Code Word	Outside Diameter Inches	Length Before Compression Inches (mm)	A	B	C	Pad Width	Bolt Holes	Die Size	Minimum Press Size Tons
A021346CVN	A041346CVN	795.0	30/19	Mallard	1.14	19.6 (496)	2.5 (63)	1.2 (30)	.78 (19)	3.0 (76)	4	13CD	60
A021247CVN	A041247CVN	900.0	45/7	Ruddy	1.131	17.2 (436)	2.0 (50)	1.0 (25)	.62 (15)	3.0 (76)	4	12CD	60
A021348CVN	A041348CVN	900.0	54/7	Canary	1.162	19.6 (496)	2.5 (63)	1.2 (30)	.78 (19)	3.0 (76)	4	13CD	60
A021350CVN	A041350CVN	954.0	45/7	Rail	1.165	19.6 (496)	2.5 (63)	1.2 (30)	.78 (19)	3.0 (76)	4	13CD	60
A0213511CVN	A0413511CVN	954.0	54/7	Cardinal	1.196	19.6 (496)	2.5 (63)	1.2 (30)	.78 (19)	3.0 (76)	4	13CD	60
A021353CVN	A041353CVN	1033.5	45/7	Ortolan	1.212	19.6 (496)	2.5 (63)	1.2 (30)	.78 (19)	3.0 (76)	4	13CD	60
A021454CVN	A041454CVN	1033.5	54/7	Curlew	1.245	20.6 (522)	2.5 (63)	1.2 (30)	.78 (19)	3.0 (76)	4	14CD	60
A021455CVN	A041455CVN	1113.0	45/7	Bluejay	1.259	20.6 (522)	2.5 (63)	1.2 (30)	.78 (19)	3.0 (76)	4	14CD	60
A021456CVN	A041456CVN	1113.0	54/19	Finch	1.293	20.6 (522)	2.5 (63)	1.2 (30)	.78 (19)	3.0 (76)	4	14CD	60
A021457CVN	A041457CVN	1192.5	45/7	Bunting	1.302	20.6 (522)	2.5 (63)	1.2 (30)	.78 (19)	3.0 (76)	4	14CD	60
A021558CVN	A041558CVN	1192.5	54/19	Grackle	1.338	21.5 (545)	2.5 (63)	1.2 (30)	.78 (19)	3.0 (76)	4	15CD	60
A0215591CVN	A0415591CVN	1272.0	45/7	Bittern	1.345	21.5 (545)	2.5 (63)	1.2 (30)	.78 (19)	3.0 (76)	4	15CD	60
A021560CVN	A041560CVN	1272.0	54/19	Pheasant	1.382	21.5 (545)	2.5 (63)	1.2 (30)	.78 (19)	3.0 (76)	4	15CD	60
A021561CVN	A041561CVN	1351.5	45/7	Dipper	1.386	21.5 (545)	2.5 (63)	1.2 (30)	.78 (19)	3.0 (76)	4	15CD	60
A021562CVN	A041562CVN	1351.5	54/19	Martin	1.424	21.5 (545)	2.5 (63)	1.2 (30)	.78 (19)	3.0 (76)	4	15CD	60
A021663CVN	A041663CVN	1431.0	45/7	Bobolink	1.427	23.5 (596)	2.5 (63)	1.2 (30)	.94 (23)	3.0 (76)	4	16CD	60
A021664CVN	A041664CVN	1431.0	54/19	Plover	1.465	23.5 (596)	2.5 (63)	1.2 (30)	.94 (23)	3.0 (76)	4	16CD	60
A021667CVN	A041667CVN	1590.0	45/7	Lapwing	1.504	23.5 (596)	2.5 (63)	1.2 (30)	.94 (23)	3.0 (76)	4	16CD	60
A0217681CVN	A0417681CVN	1590.0	54/19	Falcon	1.545	24.4 (621)	2.5 (63)	1.2 (30)	.94 (23)	4.0 (101)	4	17CD	60
A021769CVN	A041769CVN	1780.0	84/19	Chukar	1.602	24.4 (621)	2.5 (63)	1.2 (30)	.94 (23)	4.0 (101)	4	17CD	60
A021871CVN	A041871CVN	2034.5	72/7	Mockingbird	1.681	25.3 (643)	2.5 (63)	1.2 (30)	.94 (23)	4.0 (101)	4	18CD	100
A021972CVN	A041972CVN	2156.0	84/19	Bluebird	1.762	27.7 (704)	3.0 (76)	1.5 (38)	1.1 (27)	4.0 (101)	4	19CD	100
A021973CVN	A041973CVN	2167.0	72/7	Kiwi	1.735	27.7 (704)	3.0 (76)	1.5 (38)	1.1 (27)	4.0 (101)	4	19CD	100
A021974CVN	A041974CVN	2312.0	76/19	Thrasher	1.802	27.7 (704)	3.0 (76)	1.5 (38)	1.1 (27)	4.0 (101)	4	19CD	100
A022075CVN	A042075CVN	2515.0	76/19	Joree	1.808	28.7 (729)	3.0 (76)	1.5 (38)	1.1 (27)	4.0 (101)	4	20CD	100

Deadends — Compression

Uni-Grip® (One Die) Eye Type, Single Tongue AAC and ACAR Conductors

ALUMINUM/STEEL

AB01/AB03

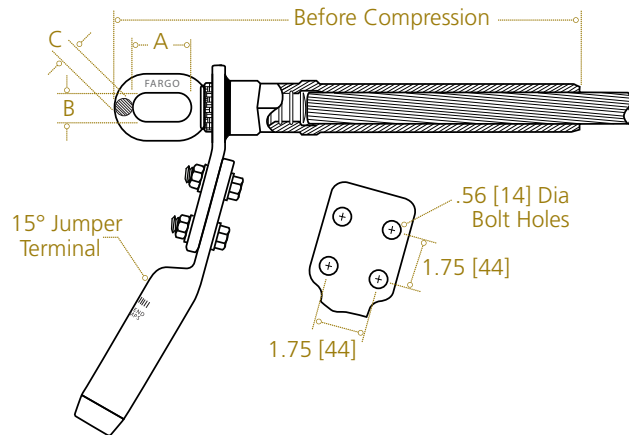
Full tension deadend assembly for AAC and ACAR conductors consists of a prefilled aluminum deadend body precompressed onto a steel eye, a prefilled 15° jumper terminal and mounting hardware.

Material: Body – seamless extruded aluminum alloy tube
 Eye – galvanized forged steel
 Terminal – seamless extruded aluminum alloy tube
 Hardware – aluminum alloy

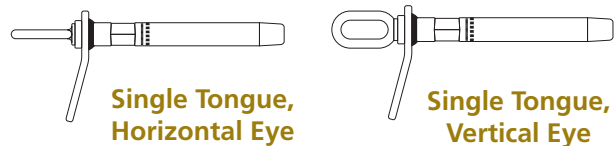
IDENTIFICATION:

DEADEND & TERMINAL:

Conductor Type & Diameter Range
 Die Size, Minimum Press Size
 Part Number, Date Code



Compression Deadends containing the 'CVN' suffix will come supplied with a Charpy Level 1 rated (20 Joules at -20 degrees C) steel eye galvanized per CSA G164.



Product Data and Conductor Size

Vertical Eye Catalog Number	Horizontal Eye Catalog Number	Conductor Outside Diameter Range Inches	AAC/ACAR Kcmil Range	Length Before Compression Inches (mm)	A	B	C	Pad Width Inches (mm)	Bolt Holes	Die Size	Minimum Press Size Tons
AB010707CVN	AB030707CVN	0.595-0.680	281.4-312.8	12.2 (310)	2.0 (50)	1.0 (25)	0.41 (10)	1.7 (44)	2	07CD	12
AB010808CVN	AB030808CVN	0.681-0.765	394.5-419.6	13.2 (336)	2.0 (50)	1.0 (25)	0.41 (10)	1.7 (44)	2	08CD	12
AB010909CVN	AB030909CVN	0.766-0.855	465.4-503.6	14.0 (356)	2.0 (50)	1.0 (25)	0.52 (13)	2.2 (56)	2	09CD	12
AB011010CVN	AB031010CVN	0.856-0.950	545.0-657.3	14.9 (378)	2.0 (50)	1.0 (25)	0.52 (13)	2.2 (56)	2	10CD	60
AB011111CVN	AB031111CVN	0.950-1.045	739.8-740.8	16.3 (413)	2.0 (50)	1.0 (25)	0.62 (15)	3.0 (76)	4	11CD	60
AB011212CVN	AB031212CVN	1.026-1.131	833.6-932.6	17.2 (436)	2.0 (50)	1.0 (25)	0.62 (15)	3.0 (76)	4	12CD	60
AB011313CVN	AB031313CVN	1.140-1.235	1000-1127	19.6 (496)	2.5 (63)	1.2 (30)	0.78 (19)	3.0 (76)	4	13CD	60
AB011414CVN	AB031414CVN	1.236-1.330	1172-1300	20.6 (523)	2.5 (63)	1.2 (30)	0.78 (19)	3.0 (76)	4	14CD	60
AB011515CVN	AB031515CVN	1.331-1.425	1361-1500	21.5 (546)	2.5 (63)	1.2 (30)	0.78 (19)	3.0 (76)	4	15CD	60
AB011616CVN	AB031616CVN	1.426-1.520	1534-1703	23.5 (597)	2.5 (63)	1.2 (30)	0.94 (23)	3.0 (76)	4	16CD	60
AB011717CVN	AB031717CVN	1.521-1.615	1750-1933	24.4 (620)	2.5 (63)	1.2 (30)	0.94 (23)	3.0 (76)	4	17CD	100
AB011919CVN	AB031919CVN	1.630-1.805	2000-2300	25.3 (643)	3.0 (76)	1.5 (38)	1.1 (27)	4.0 (101)	4	19CD	100
AB012020CVN	AB032020CVN	1.806-1.900	2493-2500	28.7 (729)	3.0 (76)	1.5 (38)	1.1 (27)	4.0 (101)	4	20CD	100

NOTE: For XL repair deadend add suffix "XL" and repair cutoff length in inches. Example: AB011212XL24. Suffix "NT" omits jumper terminal. Example: AB011212NT. Suffix "NPNT" omits both jumper terminal and deadend tongue. Example: AB011212NPNT.

Deadends — Compression

Uni-Grip® (One Die) Eye Type, Double Tongue AAAC and ACAR Conductors

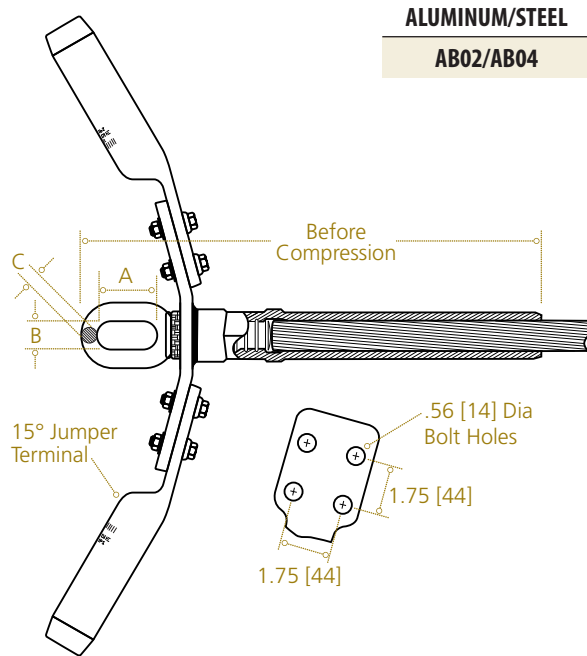
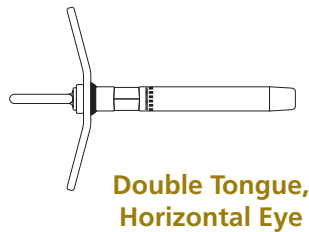
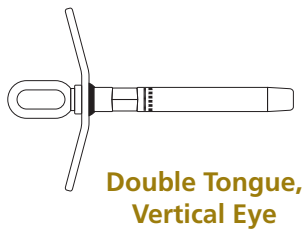
Full tension deadend assembly for AAAC and ACAR conductors consists of a prefilled aluminum deadend body precompressed onto a steel eye, two prefilled 15° jumper terminals and mounting hardware.

Material: Body – seamless extruded aluminum alloy tube
 Eye – galvanized forged steel
 Terminal – seamless extruded aluminum alloy tube
 Hardware – aluminum alloy

IDENTIFICATION:

DEADEND & TERMINAL:

Conductor Type & Diameter Range
 Die Size, Minimum Press Size
 Part Number, Date Code



Compression Deadends containing the 'CVN' suffix will come supplied with a Charpy Level 1 rated (20 Joules at -20 degrees C) steel eye galvanized per CSA G164.

Product Data and Conductor Size

Vertical Eye Catalog Number	Horizontal Eye Catalog Number	Conductor Outside Diameter Range Inches	AAAC/ACAR Kcmil Range	Length Before Compression Inches (mm)	A	B	C	Pad Width Inches (mm)	Bolt Holes	Die Size	Minimum Press Size Tons
AB020707CVN	AB040707CVN	0.595-0.680	281.4-312.8	12.2 (310)	2.0 (50)	1.0 (25)	0.41 (10)	1.7 (44)	2	07CD	12
AB020808CVN	AB040808CVN	0.681-0.765	394.5-419.6	13.2 (336)	2.0 (50)	1.0 (25)	0.41 (10)	1.7 (44)	2	08CD	12
AB020909CVN	AB040909CVN	0.766-0.855	465.4-503.6	14.0 (356)	2.0 (50)	1.0 (25)	0.52 (13)	2.2 (56)	2	09CD	12
AB021010CVN	AB041010CVN	0.856-0.950	545.0-657.3	14.9 (378)	2.0 (50)	1.0 (25)	0.52 (13)	2.2 (56)	2	10CD	60
AB021111CVN	AB041111CVN	0.950-1.045	739.8-740.8	16.3 (413)	2.0 (50)	1.0 (25)	0.62 (15)	3.0 (76)	4	11CD	60
AB021212CVN	AB041212CVN	1.026-1.131	833.6-932.6	17.2 (436)	2.0 (50)	1.0 (25)	0.62 (15)	3.0 (76)	4	12CD	60
AB021313CVN	AB041313CVN	1.140-1.235	1000-1127	19.6 (496)	2.5 (63)	1.2 (30)	0.78 (19)	3.0 (76)	4	13CD	60
AB021414CVN	AB041414CVN	1.236-1.330	1172-1300	20.6 (523)	2.5 (63)	1.2 (30)	0.78 (19)	3.0 (76)	4	14CD	60
AB021515CVN	AB041515CVN	1.331-1.425	1361-1500	21.5 (546)	2.5 (63)	1.2 (30)	0.78 (19)	3.0 (76)	4	15CD	60
AB021616CVN	AB041616CVN	1.426-1.520	1534-1703	23.5 (597)	2.5 (63)	1.2 (30)	0.94 (23)	3.0 (76)	4	16CD	60
AB021717CVN	AB041717CVN	1.521-1.615	1750-1933	24.4 (620)	2.5 (63)	1.2 (30)	0.94 (23)	3.0 (76)	4	17CD	100
AB021919CVN	AB041919CVN	1.630-1.805	2000-2300	25.3 (643)	3.0 (76)	1.5 (38)	1.1 (27)	4.0 (101)	4	19CD	100
AB022020CVN	AB042020CVN	1.806-1.900	2493-2500	28.7 (729)	3.0 (76)	1.5 (38)	1.1 (27)	4.0 (101)	4	20CD	100

NOTE: For XL repair deadend add suffix "XL" and repair cutoff length in inches. Example: AB041313XL24. Suffix "NT" omits jumper terminal. Example: AB041313NT. Suffix "NPNT" omits both jumper terminal and deadend tongue. Example: AB041313NPNT. Consult factory for Self-Dampening (SD) and Trapezoidal (TW) conductors.

Deadends — Compression

Uni-Grip® (One Die) Eye Type, Single Tongue All Aluminum (AAC) Conductors

ALUMINUM/STEEL

C01/C03

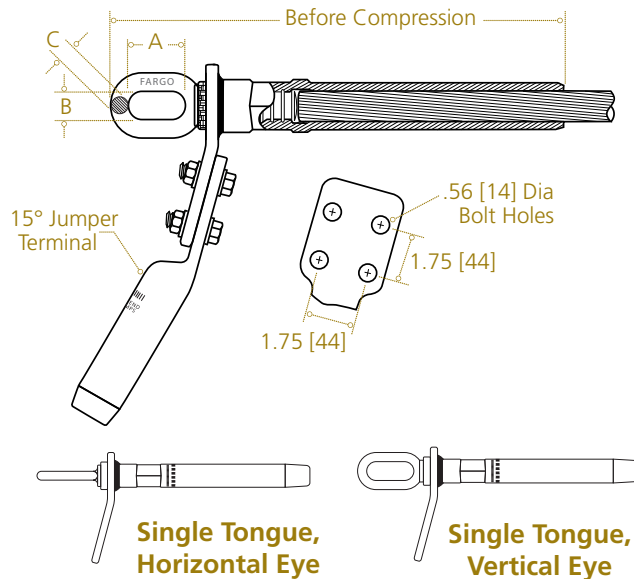
Full tension deadend assembly for All Aluminum (AAC) conductors consists of a prefilled aluminum deadend body precompressed onto a steel eye, a prefilled 15° jumper terminal and mounting hardware.

Material: Body – seamless extruded aluminum alloy tube
 Eye – galvanized forged steel
 Terminal – seamless extruded aluminum alloy tube
 Hardware – aluminum alloy

IDENTIFICATION:

DEADEND & TERMINAL:

Conductor Type & Diameter Range
 Die Size, Minimum Press Size
 Part Number, Date Code



Compression Deadends containing the 'CVN' suffix will come supplied with a Charpy Level 1 rated (20 Joules at -20 degrees C) steel eye galvanized per CSA G164.

Product Data and Conductor Size

Vertical Eye Catalog Number	Horizontal Eye Catalog Number	Kcmil	Strands	Code Word	Outside Diameter Inches	Length Before Compression Inches (mm)	A	B	C	Pad Width	Bolt Holes	Die Size	Min Press Size Tons
C010707CVN	C030707CVN	300.0	19	Peony	0.629	10.1 (257)	2.0 (50)	1.0 (25)	.41 (10)	2.0 (50)	2	07CD	12
C010707CVN	C030707CVN	336.4	19	Tulip	0.666	10.1 (257)	2.0 (50)	1.0 (25)	.41 (10)	2.0 (50)	2	07CD	12
C010707CVN	C030707CVN	350.0	19	Daffodil	0.679	10.1 (257)	2.0 (50)	1.0 (25)	.41 (10)	2.0 (50)	2	07CD	12
AC010808CVN	AC030808CVN	397.5	19	Canna	0.724	10.7 (272)	2.0 (50)	1.0 (25)	.41 (10)	2.0 (50)	2	08CD	12
AC010808CVN	AC030808CVN	400.0	19	Four-O'Clock	0.726	10.7 (272)	2.0 (50)	1.0 (25)	.41 (10)	2.0 (50)	2	08CD	12
AC010909CVN	AC030909CVN	450.0	19	Goldentuft	0.770	11.3 (287)	2.0 (50)	1.0 (25)	.52 (13)	2.0 (50)	2	09CD	12
AC010909CVN	AC030909CVN	450.0	37	Yarrow	0.772	11.3 (287)	2.0 (50)	1.0 (25)	.52 (13)	2.0 (50)	2	09CD	12
AC010909CVN	AC030909CVN	477.0	19	Cosmos	0.792	11.3 (287)	2.0 (50)	1.0 (25)	.52 (13)	2.0 (50)	2	09CD	12
AC010909CVN	AC030909CVN	477.0	37	Syringa	0.795	11.3 (287)	2.0 (50)	1.0 (25)	.52 (13)	2.0 (50)	2	09CD	12
AC010909CVN	AC030909CVN	500.0	19	Zinnia	0.811	11.3 (287)	2.0 (50)	1.0 (25)	.52 (13)	2.0 (50)	2	09CD	12
AC010909CVN	AC030909CVN	500.0	37	Hyacinth	0.813	11.3 (287)	2.0 (50)	1.0 (25)	.52 (13)	2.0 (50)	2	09CD	12
AC010909CVN	AC030909CVN	550.0	37	Ganzania	0.853	11.3 (287)	2.0 (50)	1.0 (25)	.52 (13)	2.0 (50)	2	09CD	12
C011010CVN	C031010CVN	556.5	19	Dahlia	0.856	11.9 (302)	2.0 (50)	1.0 (25)	.52 (13)	2.0 (50)	2	10CD	60
C011010CVN	C031010CVN	556.5	37	Mistletoe	0.858	11.9 (302)	2.0 (50)	1.0 (25)	.52 (13)	2.0 (50)	2	10CD	60
C011010CVN	C031010CVN	600.0	37	Meadowsweet	0.891	11.9 (302)	2.0 (50)	1.0 (25)	.52 (13)	2.0 (50)	2	10CD	60
C011010CVN	C031010CVN	636.0	37	Orchid	0.918	11.9 (302)	2.0 (50)	1.0 (25)	.52 (13)	2.0 (50)	2	10CD	60
C011010CVN	C031010CVN	650.0	37	Heuchera	0.928	11.9 (302)	2.0 (50)	1.0 (25)	.52 (13)	2.0 (50)	2	10CD	60
C011111CVN	C031111CVN	700.0	37	Verbena	0.963	13.0 (329)	2.0 (50)	1.0 (25)	.52 (13)	2.0 (50)	4	11CD	60
C011111CVN	C031111CVN	700.0	61	Flag	0.964	13.0 (329)	2.0 (50)	1.0 (25)	.52 (13)	2.0 (50)	4	11CD	60

Deadends — Compression

Product Data and Conductor Size (continued)

Vertical Eye Catalog Number	Horizontal Eye Catalog Number	Kcmil	Strands	Code Word	Outside Diameter Inches	Length Before Compression Inches (mm)	A	B	C	Pad Width	Bolt Holes	Die Size	Min Press Size Tons
C011111CVN	C031111CVN	715.5	37	Violet	0.974	13.0 (329)	2.0 (50)	1.0 (25)	.52 (13)	2.0 (50)	4	11CD	60
C011111CVN	C031111CVN	715.5	61	Nasturtium	0.975	13.0 (329)	2.0 (50)	1.0 (25)	.52 (13)	2.0 (50)	4	11CD	60
C011111CVN	C031111CVN	750.0	37	Petunia	0.997	13.0 (329)	2.0 (50)	1.0 (25)	.52 (13)	2.0 (50)	4	11CD	60
C011111CVN	C031111CVN	750.0	61	Cattail	0.998	13.0 (329)	2.0 (50)	1.0 (25)	.62 (15)	3.0 (76)	4	11CD	60
C011111CVN	C031111CVN	795.0	37	Arbutus	1.026	13.0 (329)	2.0 (50)	1.0 (25)	.62 (15)	3.0 (76)	4	11CD	60
C011111CVN	C031111CVN	795.0	61	Lilac	1.028	13.0 (329)	2.0 (50)	1.0 (25)	.62 (15)	3.0 (76)	4	11CD	60
C011111CVN	C031111CVN	800.0	37	Fuchsia	1.029	13.0 (329)	2.0 (50)	1.0 (25)	.62 (15)	3.0 (76)	4	11CD	60
C011111CVN	C031111CVN	800.0	61	Heliotrope	1.031	13.0 (329)	2.0 (50)	1.0 (25)	.62 (15)	3.0 (76)	4	11CD	60
C011212CVN	C031212CVN	874.5	37	Anemone	1.077	13.6 (344)	2.0 (50)	1.0 (25)	.62 (15)	3.0 (76)	4	12CD	60
C011212CVN	C031212CVN	874.5	61	Crocus	1.078	13.6 (344)	2.0 (50)	1.0 (25)	.62 (15)	3.0 (76)	4	12CD	60
C011212CVN	C031212CVN	900.0	37	Cockscomb	1.092	13.6 (344)	2.0 (50)	1.0 (25)	.62 (15)	3.0 (76)	4	12CD	60
C011212CVN	C031212CVN	900.0	61	Snapdragon	1.094	13.6 (344)	2.0 (50)	1.0 (25)	.62 (15)	3.0 (76)	4	12CD	60
C011212CVN	C031212CVN	954.0	37	Magnolia	1.124	13.6 (344)	2.0 (50)	1.0 (25)	.62 (15)	3.0 (76)	4	12CD	60
C011212CVN	C031212CVN	954.0	61	Goldenrod	1.126	13.6 (344)	2.0 (50)	1.0 (25)	.62 (15)	3.0 (76)	4	12CD	60
AC011313CVN	C031313CVN	1000.0	37	Hawkweed	1.151	15.6 (397)	2.5 (63)	1.2 (30)	.78 (19)	3.0 (76)	4	13CD	60
AC011313CVN	C031313CVN	1000.0	61	Camellia	1.152	15.6 (397)	2.5 (63)	1.2 (30)	.78 (19)	3.0 (76)	4	13CD	60
AC011313CVN	C031313CVN	1033.5	37	Bluebell	1.170	15.6 (397)	2.5 (63)	1.2 (30)	.78 (19)	3.0 (76)	4	13CD	60
AC011313CVN	C031313CVN	1033.5	61	Larkspur	1.172	15.6 (397)	2.5 (63)	1.2 (30)	.78 (19)	3.0 (76)	4	13CD	60
AC011313CVN	C031313CVN	1113.0	61	Marigold	1.216	15.6 (397)	2.5 (63)	1.2 (30)	.78 (19)	3.0 (76)	4	13CD	60
C011414CVN	AC031414CVN	1192.5	61	Hawthorn	1.258	16.4 (417)	2.5 (63)	1.2 (30)	.78 (19)	3.0 (76)	4	14CD	60
C011414CVN	AC031414CVN	1272.0	61	Narcissus	1.300	16.4 (417)	2.5 (63)	1.2 (30)	.78 (19)	3.0 (76)	4	14CD	60
AC011515CVN	AC031515CVN	1351.5	61	Columbine	1.340	17.0 (431)	2.5 (63)	1.2 (30)	.78 (19)	3.0 (76)	4	15CD	60
AC011515CVN	AC031515CVN	1431.0	61	Carnation	1.379	17.0 (431)	2.5 (63)	1.2 (30)	.78 (19)	3.0 (76)	4	15CD	60
AC011515CVN	AC031515CVN	1510.5	61	Gladiolus	1.417	17.0 (431)	2.5 (63)	1.2 (30)	.78 (19)	3.0 (76)	4	15CD	60
C011616CVN	C031616CVN	1590.0	61	Coreopsis	1.454	18.7 (474)	2.5 (63)	1.2 (30)	.94 (23)	3.0 (76)	4	16CD	60
C011616CVN	C031616CVN	1590.0	91	Dogwood	1.454	18.7 (474)	2.5 (63)	1.2 (30)	.94 (23)	3.0 (76)	4	16CD	60
AC011717CVN	AC031717CVN	1750.0	61	Jessamine	1.525	19.3 (491)	2.5 (63)	1.2 (30)	.94 (23)	4.0 (101)	4	17CD	60
C011919CVN	C031919CVN	2000.0	91	Cowslip	1.630	22.0 (560)	3.0 (76)	1.5 (38)	1.1 (27)	4.0 (101)	4	19CD	100
C011919CVN	C031919CVN	2250.0	91	Sagebrush	1.729	22.0 (560)	3.0 (76)	1.5 (38)	1.1 (27)	4.0 (101)	4	19CD	100
C011919CVN	C031919CVN	2300.0	61	Pigweed	1.748	22.0 (560)	3.0 (76)	1.5 (38)	1.1 (27)	4.0 (101)	4	19CD	100
C012020CVN	C032020CVN	2500.0	91	Lupine	1.823	22.7 (577)	3.0 (76)	1.5 (38)	1.1 (27)	4.0 (101)	4	20CD	100
C012020CVN	C032020CVN	2750.0	91	Bitterroot	1.912	22.7 (577)	3.0 (76)	1.5 (38)	1.1 (27)	4.0 (101)	4	20CD	100

NOTE: For XL repair deadend add suffix "XL" and repair cutoff length in inches. Example: C011414XL18. Suffix "NT" omits jumper terminal. Example: C011414NT. Suffix "NPNT" omits both jumper terminal and deadend tongue. Example: C01141421NPNT.

Deadends — Compression

Uni-Grip® (One Die) Eye Type, Double Tongue All Aluminum (AAC) Conductors

Full tension deadend assembly for All Aluminum (AAC) conductor consists of a prefilled aluminum deadend body precompressed onto a steel eye, two prefilled 15° jumper terminals and mounting hardware.

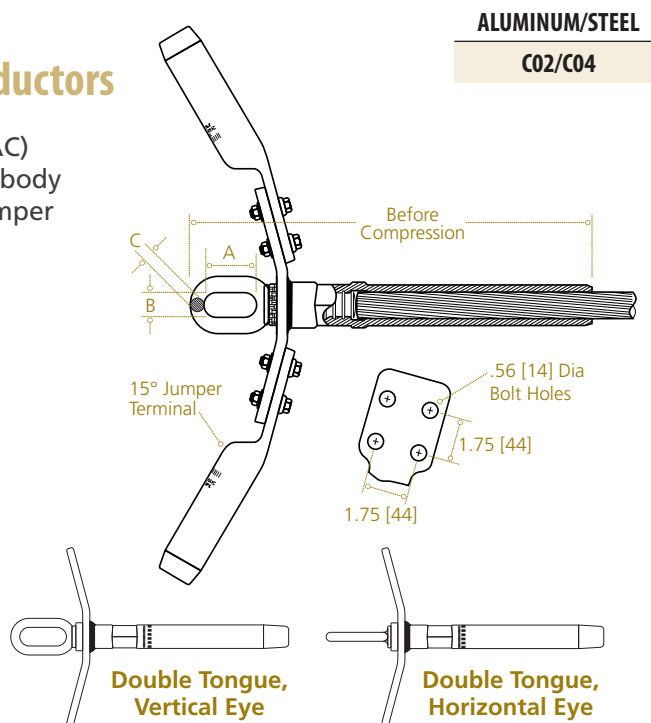
Material: Body – seamless extruded aluminum alloy tube
 Eye – galvanized forged steel
 Terminal – seamless extruded aluminum alloy tube
 Hardware – aluminum alloy

IDENTIFICATION:

DEADEND & TERMINAL:

Conductor Type & Diameter Range
 Die Size, Minimum Press Size
 Part Number, Date Code

Compression Deadends containing the 'CVN' suffix will come supplied with a Charpy Level 1 rated (20 Joules at -20 degrees C) steel eye galvanized per CSA G164.



ALUMINUM/STEEL
C02/C04

Product Data and Conductor Size

Vertical Eye Catalog Number	Horizontal Eye Catalog Number	Kcmil	Strands	Code Word	Outside Diameter Inches	Length Before Compression Inches (mm)	A	B	C	Pad Width	Bolt Holes	Die Size	Min Press Size Tons
C020707CVN	C040707CVN	300.0	19	Peony	0.629	10.1 (257)	2.0 (50)	1.0 (25)	.41 (10)	2.0 (50)	2	07CD	12
C020707CVN	C040707CVN	336.4	19	Tulip	0.666	10.1 (257)	2.0 (50)	1.0 (25)	.41 (10)	2.0 (50)	2	07CD	12
C020707CVN	C040707CVN	350.0	19	Daffodil	0.679	10.1 (257)	2.0 (50)	1.0 (25)	.41 (10)	2.0 (50)	2	07CD	12
AC020808CVN	AC040808CVN	397.5	19	Canna	0.724	10.7 (272)	2.0 (50)	1.0 (25)	.41 (10)	2.0 (50)	2	08CD	12
AC020808CVN	AC040808CVN	400.0	19	Four-O'Clock	0.726	10.7 (272)	2.0 (50)	1.0 (25)	.41 (10)	2.0 (50)	2	08CD	12
AC020909CVN	AC040909CVN	450.0	19	Goldentuft	0.770	11.3 (287)	2.0 (50)	1.0 (25)	.52 (13)	2.0 (50)	2	09CD	12
AC020909CVN	AC040909CVN	450.0	37	Yarrow	0.772	11.3 (287)	2.0 (50)	1.0 (25)	.52 (13)	2.0 (50)	2	09CD	12
AC020909CVN	AC040909CVN	477.0	19	Cosmos	0.792	11.3 (287)	2.0 (50)	1.0 (25)	.52 (13)	2.0 (50)	2	09CD	12
AC020909CVN	AC040909CVN	477.0	37	Syringa	0.795	11.3 (287)	2.0 (50)	1.0 (25)	.52 (13)	2.0 (50)	2	09CD	12
AC020909CVN	AC040909CVN	500.0	19	Zinnia	0.811	11.3 (287)	2.0 (50)	1.0 (25)	.52 (13)	2.0 (50)	2	09CD	12
AC020909CVN	AC040909CVN	500.0	37	Hyacinth	0.813	11.3 (287)	2.0 (50)	1.0 (25)	.52 (13)	2.0 (50)	2	09CD	12
AC020909CVN	AC040909CVN	550.0	37	Ganzania	0.853	11.3 (287)	2.0 (50)	1.0 (25)	.52 (13)	2.0 (50)	2	09CD	12
AC021010CVN	AC041010CVN	556.5	19	Dahlia	0.856	11.9 (302)	2.0 (50)	1.0 (25)	.52 (13)	2.0 (50)	2	10CD	60
AC021010CVN	AC041010CVN	556.5	37	Mistletoe	0.858	11.9 (302)	2.0 (50)	1.0 (25)	.52 (13)	2.0 (50)	2	10CD	60
AC021010CVN	AC041010CVN	600.0	37	Meadowsweet	0.891	11.9 (302)	2.0 (50)	1.0 (25)	.52 (13)	2.0 (50)	2	10CD	60
AC021010CVN	AC041010CVN	636.0	37	Orchid	0.918	11.9 (302)	2.0 (50)	1.0 (25)	.52 (13)	2.0 (50)	2	10CD	60
AC021010CVN	AC041010CVN	650.0	37	Heuchera	0.928	11.9 (302)	2.0 (50)	1.0 (25)	.52 (13)	2.0 (50)	2	10CD	60
C021111CVN	C041111CVN	700.0	37	Verbena	0.963	13.0 (329)	2.0 (50)	1.0 (25)	.62 (15)	3.0 (76)	4	11CD	60
C021111CVN	C041111CVN	700.0	61	Flag	0.964	13.0 (329)	2.0 (50)	1.0 (25)	.62 (15)	3.0 (76)	4	11CD	60

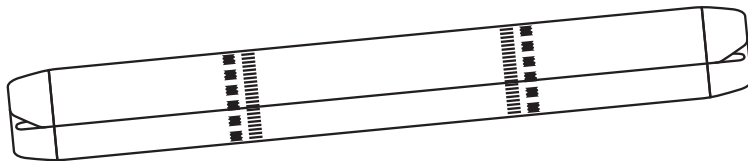
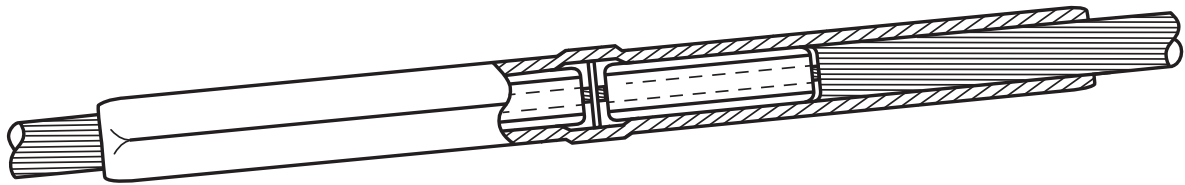
Deadends — Compression

Product Data and Conductor Size (continued)

Vertical Eye Catalog Number	Horizontal Eye Catalog Number	Kcmil	Strands	Code Word	Outside Diameter Inches	Length Before Compression Inches (mm)	A	B	C	Pad Width	Bolt Holes	Die Size	Min Press Size Tons
C021111CVN	C041111CVN	715.5	37	Violet	0.974	13.0 (329)	2.0 (50)	1.0 (25)	.62 (15)	3.0 (76)	4	11CD	60
C021111CVN	C041111CVN	715.5	61	Nasturtium	0.975	13.0 (329)	2.0 (50)	1.0 (25)	.62 (15)	3.0 (76)	4	11CD	60
C021111CVN	C041111CVN	750.0	37	Petunia	0.997	13.0 (329)	2.0 (50)	1.0 (25)	.62 (15)	3.0 (76)	4	11CD	60
C021111CVN	C041111CVN	750.0	61	Cattail	0.998	13.0 (329)	2.0 (50)	1.0 (25)	.62 (15)	3.0 (76)	4	11CD	60
C021111CVN	C041111CVN	795.0	37	Arbutus	1.026	13.0 (329)	2.0 (50)	1.0 (25)	.62 (15)	3.0 (76)	4	11CD	60
C021111CVN	C041111CVN	795.0	61	Lilac	1.028	13.0 (329)	2.0 (50)	1.0 (25)	.62 (15)	3.0 (76)	4	11CD	60
C021111CVN	C041111CVN	800.0	37	Fuchsia	1.029	13.0 (329)	2.0 (50)	1.0 (25)	.62 (15)	3.0 (76)	4	11CD	60
C021111CVN	C041111CVN	800.0	61	Heliotrope	1.031	13.0 (329)	2.0 (50)	1.0 (25)	.62 (15)	3.0 (76)	4	11CD	60
C021212CVN	C041212CVN	874.5	37	Anemone	1.077	13.6 (344)	2.0 (50)	1.0 (25)	.62 (15)	3.0 (76)	4	12CD	60
C021212CVN	C041212CVN	874.5	61	Crocus	1.078	13.6 (344)	2.0 (50)	1.0 (25)	.62 (15)	3.0 (76)	4	12CD	60
C021212CVN	C041212CVN	900.0	37	Cockscomb	1.092	13.6 (344)	2.0 (50)	1.0 (25)	.62 (15)	3.0 (76)	4	12CD	60
C021212CVN	C041212CVN	900.0	61	Snapdragon	1.094	13.6 (344)	2.0 (50)	1.0 (25)	.62 (15)	3.0 (76)	4	12CD	60
C021212CVN	C041212CVN	954.0	37	Magnolia	1.124	13.6 (344)	2.0 (50)	1.0 (25)	.62 (15)	3.0 (76)	4	12CD	60
C021212CVN	C041212CVN	954.0	61	Goldenrod	1.126	13.6 (344)	2.0 (50)	1.0 (25)	.62 (15)	3.0 (76)	4	12CD	60
C021313CVN	C041313CVN	1000.0	37	Hawkweed	1.151	15.6 (397)	2.5 (63)	1.2 (30)	.78 (19)	3.0 (76)	4	13CD	60
C021313CVN	C041313CVN	1000.0	61	Camellia	1.152	15.6 (397)	2.5 (63)	1.2 (30)	.78 (19)	3.0 (76)	4	13CD	60
C021313CVN	C041313CVN	1033.5	37	Bluebell	1.170	15.6 (397)	2.5 (63)	1.2 (30)	.78 (19)	3.0 (76)	4	13CD	60
C021313CVN	C041313CVN	1033.5	61	Larkspur	1.172	15.6 (397)	2.5 (63)	1.2 (30)	.78 (19)	3.0 (76)	4	13CD	60
C021313CVN	C041313CVN	1113.0	61	Marigold	1.216	15.6 (397)	2.5 (63)	1.2 (30)	.78 (19)	3.0 (76)	4	13CD	60
AC021414CVN	AC041414CVN	1192.5	61	Hawthorn	1.258	16.4 (417)	2.5 (63)	1.2 (30)	.78 (19)	3.0 (76)	4	14CD	60
AC021414CVN	AC041414CVN	1272.0	61	Narcissus	1.300	16.4 (417)	2.5 (63)	1.2 (30)	.78 (19)	3.0 (76)	4	14CD	60
AC021515CVN	AC041515CVN	1351.5	61	Columbine	1.340	17.0 (431)	2.5 (63)	1.2 (30)	.78 (19)	3.0 (76)	4	15CD	60
AC021515CVN	AC041515CVN	1431.0	61	Carnation	1.379	17.0 (431)	2.5 (63)	1.2 (30)	.78 (19)	3.0 (76)	4	15CD	60
AC021515CVN	AC041515CVN	1510.5	61	Gladiolus	1.417	17.0 (431)	2.5 (63)	1.2 (30)	.78 (19)	3.0 (76)	4	15CD	60
AC021616CVN	AC041616CVN	1590.0	61	Coreopsis	1.454	18.7 (474)	2.5 (63)	1.2 (30)	.94 (23)	3.0 (76)	4	16CD	60
AC021616CVN	AC041616CVN	1590.0	91	Dogwood	1.454	18.7 (474)	2.5 (63)	1.2 (30)	.94 (23)	3.0 (76)	4	16CD	60
C021717CVN	C041717CVN	1750.0	61	Jessamine	1.525	19.3 (491)	2.5 (63)	1.2 (30)	.94 (23)	4.0 (101)	4	17CD	60
C021919CVN	C041919CVN	2000.0	91	Cowslip	1.630	22.0 (560)	3.0 (76)	1.5 (38)	1.1 (27)	4.0 (101)	4	19CD	100
C021919CVN	C041919CVN	2250.0	91	Sagebrush	1.729	22.0 (560)	3.0 (76)	1.5 (38)	1.1 (27)	4.0 (101)	4	19CD	100
C021919CVN	C041919CVN	2300.0	61	Pigweed	1.748	22.0 (560)	3.0 (76)	1.5 (38)	1.1 (27)	4.0 (101)	4	19CD	100
C022020CVN	C042020CVN	2500.0	91	Lupine	1.823	22.7 (577)	3.0 (76)	1.5 (38)	1.1 (27)	4.0 (101)	4	20CD	100
C022020CVN	CVNC042020	2750.0	91	Bitterroot	1.912	22.7 (577)	3.0 (76)	1.5 (38)	1.1 (27)	4.0 (101)	4	20CD	100

NOTE: For XL repair deadend add suffix "XL" and repair cutoff length in inches. Example: C041212XL18. Suffix "NT" omits jumper terminal. Example: C041212NT. Suffix "NPNT" omits both jumper terminal and deadend tongue. Example: C041212NPNT. Consult factory for Self-Dampening (SD) and Trapezoidal (TV) conductors.

Splices & Sleeves



power

Splices & Sleeves Index

Compression/Aluminum

A15	Uni-Grip® Full-Tension Splice-ACSR.....	D-1
AB15.....	Uni-Grip® Full-Tension Splice-Alloy & ACAR.....	D-4
C15	Uni-Grip® Full-Tension Splice-AAC.....	D-5
JLS.....	Uni-Grip® Jumper Loop Partial Tension Splice	D-7
RS1700.....	Repair Sleeve-AAC, AAAC, ACAR & ACSR	D-18
RS1700SSAC	Repair Sleeve-ACSS	D-19
RS1700STW	Repair Sleeve-ACSS/TW	D-20
TJA.....	Full Tension Splice Assembly-ACSR	D-8
TJA-SSAC.....	Full Tension Splice Assembly-ACSS	D-11
TJA-STW	Full Tension Splice Assembly-ACSS/TW	D-14
81/SWS	Full Tension Splice-Alumoweld® & EHS Steel	D-17

Splices — Compression

Uni-Grip® (One Die) Full-Tension ACSR Conductors

ALUMINUM

A15

A splice assembly for ACSR consists of a prefilled aluminum body and two core wire gripping units.

Splices are prefilled with inhibitor and barrel ends plugged.

Material: Body – seamless extruded aluminum alloy tube
Gripping Unit – aluminum alloy

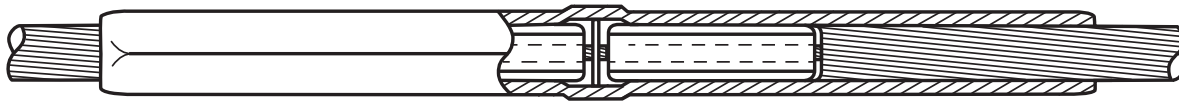
IDENTIFICATION:

SPLICE BODY:

Conductor Type & Diameter Range
Die Size, Minimum Press Size
Part Number, Date Code

CORE GRIPPING UNIT:

Conductor Type, Size & Stranding



Product Data and Conductor Size

Catalog Number	Kcmil	Stranding AL/ST	Code Word	Outside Diameter Inches	Length Before Compression Inches (mm)	Die Size	Minimum Press Size Tons	Approx Wt lb (kg)
A150709	266.8	6/7	Owl	0.633	12.6 (320)	07CD	12	.60 (.27)
A150710	266.8	26/7	Partridge	0.642	12.6 (320)	07CD	12	.60 (.27)
A150811	300.0	26/7	Ostrich	0.680	14.4 (365)	08CD	12	.89 (.40)
A150812	336.4	18/1	Merlin	0.684	14.4 (365)	08CD	12	.89 (.40)
A150813	336.4	26/7	Linnet	0.721	14.4 (365)	08CD	12	.89 (.40)
A150914	336.4	30/7	Oriole	0.741	14.4 (365)	09CD	12	.89 (.40)
A150815	397.5	18/1	Chickadee	0.743	14.4 (365)	08CD	12	.89 (.40)
A150916	397.5	24/7	Brant	0.772	16.2 (411)	09CD	12	1.3 (.58)
A150917	397.5	26/7	Ibis	0.783	16.2 (411)	09CD	12	1.3 (.58)

NOTE: For Extra Length repair splice, add "XL" suffix and repair cutoff length in inches. Example A151021XL24. For Self-Dampening (SD) and Trapezoidal (TW) and metric ACSR conductors consult factory. Splices are EHV rated where conductor is 1.0 in (25.4 mm) O.D. or larger.

Splices — Compression

Product Data and Conductor Size (continued)

Catalog Number	Kcmil	Stranding AL/ST	Code Word	Outside Diameter Inches	Length Before Compression Inches (mm)	Die Size	Minimum Press Size Tons	Approx Wt lb (kg)
A150919	477.0	18/1	Pelican	0.814	16.2 (411)	09CD	12	1.3 (.58)
A150920	477.0	24/7	Flicker	0.846	16.2 (411)	09CD	12	1.3 (.58)
A1510211	477.0	26/7	Hawk	0.858	18.0 (457)	10CD	60	1.7 (.77)
A151122	477.0	30/7	Hen	0.883	19.8 (502)	11CD	60	2.4 (1.0)
A151023	556.5	18/1	Osprey	0.879	18.0 (457)	10CD	60	1.7 (.77)
A151024	556.5	24/7	Parakeet	0.914	18.0 (457)	10CD	60	1.7 (.77)
A151025	556.5	26/7	Dove	0.927	16.2 (411)	10CD	60	1.7 (.77)
A151126	556.5	30/7	Eagle	0.953	19.8 (502)	11CD	60	2.4 (1.0)
A151127	605.0	24/7	Peacock	0.953	19.8 (502)	11CD	60	2.4 (1.0)
A151128	605.0	26/7	Squab	0.966	19.8 (502)	11CD	60	2.4 (1.0)
A151229	605.0	30/19	Teal	0.994	21.6 (548)	12CD	60	3.0 (1.3)
A151030	636.0	36/1	Swift	0.930	18.0 (457)	10CD	60	1.7 (.77)
A151031	636.0	18/1	Kingbird	0.940	18.0 (457)	10CD	60	1.7 (.77)
A151132	636.0	24/7	Rook	0.977	19.8 (502)	11CD	60	2.4 (1.0)
A151133	636.0	26/7	Grosbeak	0.990	19.8 (502)	11CD	60	2.4 (1.0)
A151234	636.0	30/19	Egret	1.019	21.6 (548)	12CD	60	3.0 (1.3)
A151136	666.6	24/7	Flamingo	1.000	19.8 (502)	11CD	60	2.4 (1.0)
A151137	666.6	26/7	Gannett	1.014	19.8 (502)	11CD	60	2.4 (1.0)
A151138	715.5	24/7	Stilt	1.036	19.8 (502)	11CD	60	2.4 (1.0)
A151239	715.5	26/7	Starling	1.051	21.6 (548)	12CD	60	3.0 (1.3)
A151141	795.0	36/1	Coot	1.040	19.8 (502)	11CD	60	2.4 (1.0)
A151242	795.0	45/7	Tern	1.063	21.6 (548)	12CD	60	3.0 (1.3)
A151243	795.0	24/7	Cuckoo	1.092	21.6 (548)	12CD	60	3.0 (1.3)
A1512441	795.0	54/7	Condor	1.093	21.6 (548)	12CD	60	3.0 (1.3)
A1512451	795.0	26/7	Drake	1.108	21.6 (548)	12CD	60	3.0 (1.3)
A151346	795.0	30/19	Mallard	1.140	23.4 (594)	13CD	60	3.7 (1.6)
A151247	900.0	45/7	Ruddy	1.131	21.6 (548)	12CD	60	3.0 (1.3)
A151348	900.0	54/7	Canary	1.162	23.4 (594)	13CD	60	3.7 (1.6)
A151249	954.0	36/1	Catbird	1.140	21.6 (548)	12CD	60	3.0 (1.3)

Splices — Compression

Product Data and Conductor Size (continued)

Catalog Number	Kcmil	Stranding AL/ST	Code Word	Outside Diameter Inches	Length Before Compression Inches (mm)	Die Size	Minimum Press Size Tons	Approx Wt lb (kg)
A151350	954.0	45/7	Rail	1.165	23.4 (594)	13CD	60	3.7 (1.6)
A1513511	954.0	54/7	Cardinal	1.196	23.4 (594)	13CD	60	3.7 (1.6)
A151353	1033.5	45/7	Ortolan	1.213	23.4 (594)	13CD	60	3.7 (1.6)
A151454	1033.5	54/7	Curlew	1.246	25.2 (640)	14CD	60	4.8 (2.1)
A151455	1113.0	45/7	Bluejay	1.259	25.2 (640)	14CD	60	4.8 (2.1)
A151456	1113.0	54/19	Finch	1.293	25.2 (640)	14CD	60	4.8 (2.1)
A151457	1192.5	45/7	Bunting	1.302	25.2 (640)	14CD	60	4.8 (2.1)
A151558	1192.5	54/19	Grackle	1.333	27.0 (685)	15CD	60	5.9 (2.6)
A1515591	1272.0	45/7	Bittern	1.345	27.0 (685)	15CD	60	5.9 (2.6)
A151560	1272.0	54/19	Pheasant	1.382	27.0 (685)	15CD	60	5.9 (2.6)
A151561	1351.5	45/7	Dipper	1.386	27.0 (685)	15CD	60	5.9 (2.6)
A151562	1351.5	54/19	Martin	1.424	27.0 (685)	15CD	60	5.9 (2.6)
A151663	1431.0	45/7	Bobolink	1.427	28.8 (731)	16CD	60	7.2 (3.2)
A151667	1590.0	45/7	Lapwing	1.502	28.8 (731)	16CD	60	7.2 (3.2)
A1517681	1590.0	54/19	Falcon	1.545	30.6 (777)	17CD	60	8.5 (3.8)
A151769	1780.0	84/19	Chukar	1.602	30.6 (777)	17CD	60	8.5 (3.8)
A151770	1869.0	68/7	Seahawk	1.603	30.6 (777)	17CD	60	8.5 (3.8)
A151871	2034.5	72/7	Mockingbird	1.681	32.4 (822)	18CD	100	10.0 (4.5)
A151972	2156.0	84/19	Bluebird	1.762	34.2 (868)	19CD	100	11.9 (5.3)
A151973	2167.0	72/7	Kiwi	1.735	34.2 (868)	19CD	100	11.9 (5.3)
A151974	2312.0	76/19	Thrasher	1.802	34.2 (868)	19CD	100	11.9 (5.3)
A152075	2515.0	76/19	Joree	1.880	36.0 (914)	20CD	100	14.0 (6.3)

Splices — Compression

Uni-Grip® (One Die) Full-Tension AAAC and ACAR Conductors

ALUMINUM

AB15

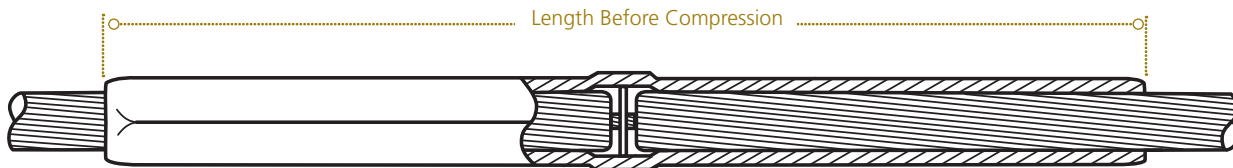
A splice assembly for alloy consists of a prefilled aluminum body.

Splices are prefilled with inhibitor and barrel ends plugged.

Material: Body – seamless extruded aluminum alloy tube

IDENTIFICATION:

Conductor Type & Diameter Range
Die Size, Minimum Press Size
Part Number, Date Code



Product Data and Conductor Size

Catalog Number	Conductor Outside Diameter Range Inches	AAAC /ACAR Kcmil Range	Length Before Compression Inches (mm)	Die Size	Minimum Press Size Tons
AB150707	0.595-0.680	281.4-312.8	12.6 (320)	07CD	12
AB150808	0.681-0.765	394.5-419.6	14.4 (365)	08CD	12
AB150909	0.772-0.855	465.4-503.6	16.2 (411)	09CD	12
AB151010	0.856-0.950	545.0-657.3	19.8 (502)	10CD	60
AB151111	0.940-1.036	739.8-740.8	21.6 (548)	11CD	60
AB151212	1.026-1.131	833.6-932.6	23.4 (594)	12CD	60
AB151313	1.140-1.235	1000-1127	25.2 (640)	13CD	60
AB151414	1.236-1.330	1172-1300	27.0 (685)	14CD	60
AB151515	1.331-1.425	1361-1500	28.8 (731)	15CD	60
AB151616	1.426-1.520	1534-1703	30.6 (777)	16CD	60
AB151717	1.521-1.615	1750-1933	32.4 (822)	17CD	100
AB151919	1.630-1.805	2000-2300	34.2 (868)	19CD	100
AB152020	1.806-1.900	2493-2500	36.0 (914)	20CD	100

NOTE: For Extra Length repair splice, add "XL" suffix and repair cutoff length in inches Example A15 1021 XL 24. Splices are EHV rated where conductor is 1.0 in (25.4 mm) O.D. or larger.

Splices — Compression

Uni-Grip® (One Die) Full-Tension AAC Conductors

ALUMINUM

C15

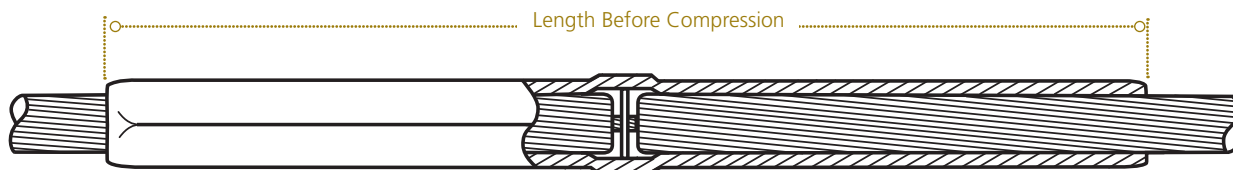
A splice assembly for alloy consists of a prefilled aluminum body.

Splices are prefilled with inhibitor and barrel ends plugged.

Material: Body – seamless extruded aluminum alloy tube

IDENTIFICATION:

Conductor Type & Diameter Range
Die Size, Minimum Press Size
Part Number, Date Code



Product Data and Conductor Size

Catalog Number	Kcmil	Strands	Code Word	Outside Diameter Inches	Length Before Compression Inches (mm)	Die Size	Minimum Press Size Tons	Approx Wt lb (kg)
C150707	300.0	19	Peony	0.629	8.4 (213)	07CD	12	.40 (.18)
C150707	336.4	19	Tulip	0.666	8.4 (213)	07CD	12	.40 (.18)
C150707	350.0	19	Daffodil	0.679	8.4 (213)	07CD	12	.40 (.18)
C150808	397.5	19	Canna	0.724	9.6 (243)	08CD	12	.59 (.26)
C150808	400.0	19	Four-O'Clock	0.726	9.6 (243)	08CD	12	.59 (.26)
C150909	450.0	19	Goldentuft	0.770	10.8 (274)	09CD	12	.85 (.38)
C150909	450.0	37	Yarrow	0.772	10.8 (274)	09CD	12	.85 (.38)
C150909	477.0	19	Cosmos	0.792	10.8 (274)	09CD	12	.85 (.38)
C150909	477.0	37	Syringa	0.795	10.8 (274)	09CD	12	.85 (.38)
C150909	500.0	19	Zinnia	0.811	10.8 (274)	09CD	12	.85 (.38)
C150909	500.0	37	Hyacinth	0.813	10.8 (274)	09CD	12	.85 (.38)
C150909	550.0	37	Ganzania	0.853	10.8 (274)	09CD	12	.85 (.38)
C151010	556.5	19	Dahlia	0.856	12.0 (304)	10CD	60	1.1 (.49)
C151010	556.5	37	Mistletoe	0.858	12.0 (304)	10CD	60	1.1 (.49)
C151010	600.0	37	Meadowsweet	0.891	12.0 (304)	10CD	60	1.1 (.49)
C151010	636.0	37	Orchid	0.918	12.0 (304)	10CD	60	1.1 (.49)
C151010	650.0	37	Heuchera	0.928	12.0 (304)	10CD	60	1.1 (.49)
C151111	700.0	37	Verbena	0.963	13.2 (335)	11CD	60	1.5 (.68)

Splices — Compression

Product Data and Conductor Size (continued)

Catalog Number	Kcmil	Strands	Code Word	Outside Diameter Inches	Length Before Compression Inches (mm)	Die Size	Minimum Press Size Tons	Approx Wt lb (kg)
C151111	700.0	61	Flag	0.964	13.2 (335)	11CD	60	1.5 (.68)
C151111	715.5	37	Violet	0.974	13.2 (335)	11CD	60	1.5 (.68)
C151111	715.5	61	Nasturtium	0.975	13.2 (335)	11CD	60	1.5 (.68)
C151111	750.0	37	Petunia	0.997	13.2 (335)	11CD	60	1.5 (.68)
C151111	750.0	61	Cattail	0.998	13.2 (335)	11CD	60	1.5 (.68)
C151111	795.0	37	Arbutus	1.026	13.2 (335)	11CD	60	1.5 (.68)
C151111	795.0	61	Lilac	1.028	13.2 (335)	11CD	60	1.5 (.68)
C151111	800.0	37	Fuchsia	1.029	13.2 (335)	11CD	60	1.5 (.68)
C151111	800.0	61	Heliotrope	1.031	13.2 (335)	11CD	60	1.5 (.68)
C151212	874.5	37	Anemone	1.077	14.4 (365)	12CD	60	2.0 (.90)
C151212	874.5	61	Crocus	1.078	14.4 (365)	12CD	60	2.0 (.90)
C151212	900.0	37	Cockscomb	1.092	14.4 (365)	12CD	60	2.0 (.90)
C151212	900.0	61	Snapdragon	1.094	14.4 (365)	12CD	60	2.0 (.90)
C151212	954.0	37	Magnolia	1.124	14.4 (365)	12CD	60	2.0 (.90)
C151212	954.0	61	Goldenrod	1.126	14.4 (365)	12CD	60	2.0 (.90)
C151313	1000.0	37	Hawkweed	1.151	15.6 (396)	13CD	60	2.5 (1.1)
C151313	1000.0	61	Camellia	1.152	15.6 (396)	13CD	60	2.5 (1.1)
C151313	1033.5	37	Bluebell	1.170	15.6 (396)	13CD	60	2.5 (1.1)
C151313	1033.5	61	Larkspur	1.172	15.6 (396)	13CD	60	2.5 (1.1)
C151313	1113.0	61	Marigold	1.216	15.6 (396)	13CD	60	2.5 (1.1)
C151414	1192.5	61	Hawthorn	1.258	16.8 (426)	14CD	60	3.2 (1.4)
C151414	1272.0	61	Narcissus	1.300	16.8 (426)	14CD	60	3.2 (1.4)
AC151515	1351.5	61	Columbine	1.340	18.0 (457)	15CD	60	3.9 (1.7)
AC151515	1431.0	61	Carnation	1.379	18.0 (457)	15CD	60	3.9 (1.7)
AC151515	1510.5	61	Gladiolus	1.417	18.0 (457)	15CD	60	3.9 (1.7)
C151616	1590.0	61	Coreopsis	1.454	19.2 (487)	16CD	60	4.8 (2.1)
C151616	1590.0	91	Dogwood	1.454	19.2 (487)	16CD	60	4.8 (2.1)
C151717	1750.0	61	Jessamine	1.525	20.4 (518)	17CD	60	5.7 (2.5)
C151818	2000.0	91	Cowslip	1.630	21.6 (548)	18CD	100	6.6 (2.9)
C151919	2250.0	91	Sagebrush	1.729	22.8 (579)	19CD	100	7.9 (3.5)
C151919	2300.0	61	Pigweed	1.748	22.8 (579)	19CD	100	7.9 (3.5)
AC152020	2500.0	91	Lupine	1.823	24.0 (609)	20CD	100	9.3 (4.2)
AC152020	2750.0	91	Bitterroot	1.912	24.0 (609)	20CD	100	9.3 (4.2)

NOTE: For extra length repair splice, add "XL" suffix and repair cutoff length in inches. Example A15 1021 XL 24. Splices are EHV rated where conductor is 1.0 in (25.4 mm) O.D. or larger.

Splices — Compression

Jumper Loop Limited Tension AAC, AAAC, ACAR and ACSR Conductor Splice

ALUMINUM

JLS

Jumper Loop Splices are prefilled with inhibitor and barrel ends are plugged.

Material: Body – seamless extruded aluminum alloy tube

IDENTIFICATION:

Conductor Type & Diameter Range
Die Size, Minimum Press Size
Part Number, Date Code



Product Data and Conductor Size

Catalog Number	Conductor Range ^{(1) (2)}		Length Before Compression Inches (mm)	Die Size	Minimum Press Size Tons	Approx Wt lb (kg)	
	Outside Diameter Inches	AAC Size Kcmil					ACSR Size Kcmil (Str)
JLS0707	0.595 - 0.680	300, 336.4, 350	266.8 (18/1) (6/7) (26/7) 300 (26/7)	7.0 (178)	07CD	12	.33 (.15)
JLS0808	0.681 - 0.765	350, 397.5, 400	336.4 (18/1) (26/7) (30/7) 395.5 (18/1)	8.0 (203)	08CD	12	.49 (.22)
JLS0909	0.772 - 0.855	450, 477, 500, 550	397.5 (24/7) (26/7) (30/7), 477 (18/1) (24/7)	9.0 (229)	09CD	12	.69 (.32)
JLS1010	0.856 - 0.950	556.5, 600, 636, 650	477 (26/7) (30/7), 556.5 (18/1) (24/7) (26/7), 636 (18/1) (36/1)	10.0 (254)	10CD	60	.95 (.44)
JLS1111	0.940 - 1.036	700, 715, 750, 795, 800	556.5 (30/7) 605 (24/7) (26/7) (30/19), 636 (18/1) – (30/19), 666 (24/7) (26/7), 715.5 (24/7), 795 (36/1)	11.0 (279)	11CD	60	1.3 (.56)
JLS1212	1.026 - 1.131	874.5, 900, 954	715.5 (26/7) (30/19), 795 (24/7) (26/7) (45/7), 795 (54/7) 900 (45/7)	12.0 (305)	12CD	60	1.7 (.77)
JLS1313	1.140 - 1.235	1000, 1033.5, 1100, 1113	795 (30/19), 900 (54/7), 954 (45/7) (54/7), 1033.5 (36/1) (45/7)	13.0 (333)	13CD	60	2.1 (.96)
JLS1414	1.236 - 1.330	1192.5, 1200, 1250, 1272, 1300	954 (30/19), 1113 (45/7) (54/19), 1192.5 (45/7) 1272 (36/1)	14.0 (356)	14CD	60	2.7 (1.2)
JLS1515	1.331 - 1.425	1351.5, 1400, 1431, 1500, 1510.5	1192.5 (54/19), 1272 (45/7) (54/19), 1351.5 (45/7) (54/19)	15.0 (381)	15CD	60	3.1 (1.4)
JLS1616	1.426 - 1.520	1590, 1600, 1700	1431 (45/7) (54/19), 1510.5 (45/7) (54/19), 1590 (45/7)	16.0 (406)	16CD	60	3.8 (1.7)
JLS1717	1.521 - 1.615	1750, 1800, 1900	1590 (54/19), 1780 (84/19), 1869 (68/7)	17.0 (432)	17CD	60	4.7 (2.1)
JLS1818	1.616 - 1.710	2000	2034.5 (72/7)	18.0 (457)	18CD	100	5.6 (2.5)
JLS1919	1.711 - 1.805	2250, 2300	2167 (72/7), 2156 (84/19), 2312 (76/19)	19.0 (483)	19CD	100	6.5 (3.0)
JLS2020	1.806 - 1.900	2500	2515 (76/19)	20.0 (508)	20CD	100	7.6 (3.4)

(1) These splices also approved for minimum tension applications on AAAC and ACAR conductors within the diameter ranges listed.

(2) Repair sleeves are EHV rated where conductor is 1.0 (25.4 mm) O.D. or larger.

Splices — Compression

Conventional (Two Die) Full-Tension ACSR Conductors

ALUMINUM

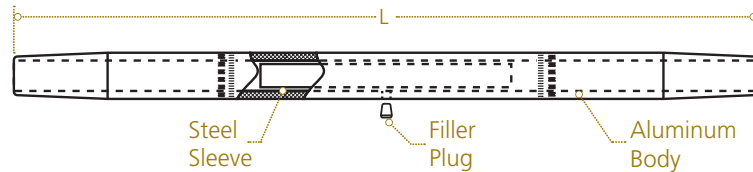
TJA

Splice assemblies for ACSR conductors consist of an aluminum splice body and steel sleeve.

Material: Body – seamless extruded aluminum tube
Steel Sleeve – plated steel

IDENTIFICATION:

Conductor Size, Stranding & Type
Die Size, Minimum Press Size
Fargo® Component, Part Number
Date Code



Product Data and Conductor Size

Full Tension Splice Assembly Catalog Number	ACSR Conductor ⁽¹⁾			Component Catalog Number		Jumper Loop Splice ⁽²⁾	Length Before Compression Inches		Die Size ⁽³⁾	
	Code Word	Kcmil	Strand AL / STL	Aluminum Body	Steel Sleeve		Full Tension	Loop Splice	Alum	Steel
TJA7829	Pigeon	3/0	6/1	10546	113517	40546	16.2	5.75	75AH	75SH
TJA7929	Penguin	4/0	6/1	10609	114520	40609	16.8	6.3	76AH	75SH
TJA1102	Waxwing	266.8	18/1	10657	11141	40657	19.0	6.3	76AH	74SH
TJA1109	Partridge	266.8	26/7	10688	11265	40688	19.0	6.3	76AH	76SH
TJA1302	Merlin	336.4	18/1	10740	11152	40740	21.3	6.5	20AH	74SH
TJA1309	Linnet	336.4	26/7	10800	11296	40800	21.7	7.0	20AH	10SH
TJA1313	Oriole	336.4	30/7	10800	11343	40800	21.7	7.0	20AH	10SH
TJA1502	Chickadee	397.5	18/1	10800	11173	40800	21.7	7.0	20AH	74SH
TJA1508	Brant	397.5	24/7	10845	11281	40845	22.9	7.3	20AH	10SH
TJA1509	Ibis	397.5	26/7	10845	11313	40845	22.9	7.3	20AH	10SH
TJA1513	Lark	397.5	30/7	10845	11368	40845	22.9	7.3	20AH	12SH
TJA1802	Pelican	477.0	18/1	10883	11177	40883	21.0	7.5	24AH	75SH
TJA1808	Flicker	477.0	24/7	10922	11313	40922	24.6	8.0	24AH	10SH
TJA1809	Hawk	477.0	26/7	10922	11344	40922	24.6	8.0	24AH	12SH
TJA1813	Hen	477.0	30/7	10950	11405	40950	24.6	8.0	24AH	12SH
TJA2202	Osprey	556.5	18/1	10950	11221	40950	24.6	8.0	24AH	75SH
TJA2208	Parakeet	556.5	24/7	10990	11328	40990	25.2	8.0	24AH	10SH
TJA2209	Dove	556.5	26/7	10990	11368	40990	25.2	8.0	24AH	12SH
TJA2213	Eagle	556.5	30/7	10107	11436	40107	27.9	9.0	27AH	14SH
TJA2408	Peacock	605.0	24/7	10102	11344	40102	27.9	9.0	27AH	12SH
TJA2409	Squab	605.0	26/7	10102	11390	40102	27.9	9.0	27AH	12SH

Splices — Compression

Product Data and Conductor Size (continued)

Full Tension Splice Assembly Catalog Number	ACSR Conductor ⁽¹⁾			Component Catalog Number		Jumper Loop Splice ⁽²⁾	Length Before Compression Inches		Die Size ⁽³⁾	
	Code Word	Kcmil	Strand AL / STL	Aluminum Body	Steel Sleeve		Full Tension	Loop Splice	Alum	Steel
TJA2413	Wood Duck	605.0	30/7	10107	11452	40107	27.9	9.0	27AH	14SH
TJA2417	Teal	605.0	30/19	10107	11452	40107	27.9	9.0	27AH	14SH
TJA2508	Rook	636.0	24/7	10107	11359	40107	27.9	9.0	27AH	12SH
TJA2509	Grosbeak	636.0	26/7	10107	11390	40107	27.9	9.0	27AH	12SH
TJA2513	Scoter	636.0	30/7	10107	11454	40107	27.9	9.0	27AH	14SH
TJA2517	Egret	636.0	30/19	10107	11454	40107	27.9	9.0	27AH	14SH
TJA2808	Flamingo	666.6	24/7	10107	11359	40107	27.9	9.0	27AH	12SH
TJA2809	Gannet	666.6	26/7	10107	11405	40107	27.9	9.0	27AH	12SH
TJA3008	Stilt	715.5	24/7	10110	11368	40110	30.9	10.0	30AH	12SH
TJA3009	Starling	715.5	26/7	10110	11407	40110	30.9	10.0	30AH	14SH
TJA3017	Redwing	715.5	30/19	10110	11500	40110	30.9	10.0	30AH	16SH
TJA3318	Tern	795.0	45/7	10114	11296	40114	30.9	10.0	30AH	10SH
TJA3308	Cuckoo	795.0	24/7	10117	11390	40117	30.9	10.0	30AH	12SH
TJA3321	Condor	795.0	54/7	10117	11390	40117	30.9	10.0	30AH	12SH
TJA3309	Drake	795.0	26/7	10117	11452	40117	30.9	10.0	30AH	14SH
TJA3317	Mallard	795.0	30/19	10122	11515	40122	31.4	10.5	30AH	16SH
TJA3721	Crane	874.5	54/7	10122	11405	40122	31.4	10.5	30AH	12SH
TJA3818	Ruddy	900.0	45/7	10122	11313	40122	31.4	10.5	30AH	10SH
TJA3821	Canary	900.0	54/7	10122	11407	40122	31.4	10.5	30AH	14SH
TJA4118	Rail	954.0	45/7	10122	11328	40122	31.4	10.5	30AH	10SH
TJA4119	Towhee	954.0	48/7	10126	11359	40126	31.4	10.5	30AH	14SH
TJA4121	Cardinal	954.0	54/7	10126	11452	40126	31.4	10.5	30AH	14SH
TJA4117	Canvasback	954.0	30/19	10132	11563	40132	32.8	11.3	34AH	18SH
TJA4418	Ortolan	1033.5	45/7	10127	11328	40127	32.8	11.3	34AH	10SH
TJA4421	Curlew	1033.5	54/7	10127	11436	40127	32.8	11.3	34AH	14SH
TJA4718	Bluejay	1113.0	45/7	10132	11344	40132	32.8	11.3	34AH	12SH
TJA4724	Finch	1113.0	54/19	10136	11454	40136	34.9	11.9	34AH	14SH
TJA4918	Bunting	1192.5	45/7	10136	11359	40136	34.9	11.9	34AH	12SH
TJA4924	Grackle	1192.5	54/19	10141	11454	40141	35.1	12.5	36AH	14SH
TJA5118	Bittern	1272.0	45/7	10141	11359	40141	36.3	12.5	36AH	12SH

Splices — Compression

Product Data and Conductor Size (continued)

Full Tension Splice Assembly Catalog Number	ACSR Conductor ⁽¹⁾			Component Catalog Number		Jumper Loop Splice ⁽²⁾	Length Before Compression Inches		Die Size ⁽³⁾	
	Code Word	Kcmil	Strand AL / STL	Aluminum Body	Steel Sleeve		Full Tension	Loop Splice	Alum	Steel
TJA5124	Pheasant	1272.0	54/19	10145	11500	40145	36.3	12.5	36AH	16SH
TJA5218	Dipper	1351.5	45/7	10145	11374	40145	36.3	12.5	36AH	12SH
TJA5224	Martin	1351.5	54/19	10149	11500	40149	36.3	13.3	38AH	16SH
TJA5418	Bobolink	1431.0	45/7	10145	11390	40145	35.1	12.5	36AH	12SH
TJA5424	Plover	1431.0	54/19	10149	11515	40149	36.3	13.3	38AH	16SH
TJA5618	Nuthatch	1510.5	45/7	10149	11390	40149	36.3	13.3	38AH	14SH
TJA5624	Parrot	1510.5	54/19	10157	11531	40157	36.3	13.3	40AH	16SH
TJA5718	Lapwing	1590.0	45/7	10157	11405	40157	36.3	13.3	40AH	12SH
TJA5724	Falcon	1590.0	54/19	10157	11546	40157	36.3	13.3	40AH	18SH
TJA6028	Chukar	1780.0	84/19	10167	11454	40167	37.6	14.5	42AH	14SH
TJA6105	Seahawk	1869.0	68/7	10167	11297	40167	37.6	14.5	42AH	12SH
TJA6205	Mockingbird	2034.5	72/7	10175	11360	40175	37.6	14.5	42AH	14SH
TJA6210	Roadrunner	2057.0	76/19	10175	11421	40175	37.6	14.5	42AH	12SH
TJA6328	Bluebird	2156.0	84/19	10184	11515	40184	40.0	15.3	44AH	16SH
TJA6425	Kiwi	2167.0	72/7	10181	11374	40181	40.0	15.3	44AH	12SH
TJA6610	Thrasher	2312.0	76/19	10188	11436	40188	40.7	15.7	44AH	14SH

NOTE: Splices are EHV rated where conductor is 1.0 in (25.4 mm) O.D. or larger. Joint compound: use Fargo® UJC16 Joint compound. Or, for lowest resistance connection, install with Fargo HTJC-16 compound. See table below for number of 16 oz tubes required per component.

- (1) TJA splice assemblies are full-tension rated for conductors with standard strength steel cores.
- (2) Loop splice is minimum tension connector (no steel sleeve component required).
- (3) Compression press minimum size:
 20AH and smaller — 12 ton
 24AH through 40AH — 60 ton
 42AH and larger — 100 ton
 10SH and smaller — 12 ton
 12SH and larger — 60 ton

Fargo Type UJC16 or HTJC16 Joint Compound Required (Cartridges per Fitting)

Component	Catalog Series	Die Size												
		74AH	75AH	76AH	20AH	24AH	27AH	30AH	34AH	36AH	38AH	40AH	42AH	44AH
FT Splice Body	10	0.04	0.05	0.10	0.20	0.32	0.44	0.60	0.94	0.98	1.10	1.10	1.40	1.52
Loop Splice	40	0.04	0.05	0.06	0.08	0.10	0.13	0.20	0.26	0.30	0.35	0.40	0.54	0.68

Splices — Compression

Conventional (Two Die) Full-Tension ACSS Conductors

ALUMINUM

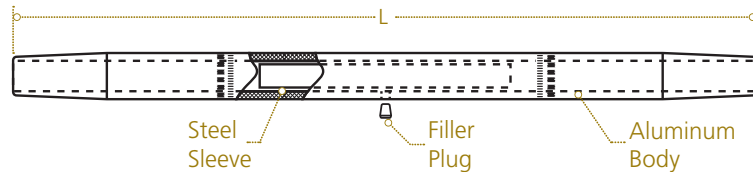
TJA-SSAC

Splice assemblies for ACSS conductors consist of an aluminum splice body and steel sleeve.

Material: Body – seamless extruded aluminum alloy tube
Steel Sleeve – plated steel

IDENTIFICATION:

Conductor Size, Stranding &
Type Die Size, Minimum Press Size
Fargo® Component, Part Number
Date Code



Product Data and Conductor Size

Full Tension Splice Assembly Catalog Number	ACSR Conductor ⁽¹⁾			Component Catalog Number		Jumper Loop Splice ⁽²⁾	Length Before Compression Inches		Die Size ⁽³⁾	
	Code Word	Kcmil	Strand AL / STL	Aluminum Body	Steel Sleeve		Full Tension	Loop Splice	Alum	Steel
TJA1113SSAC	Junco	266.8	30/7	10740SSAC	11313	40740SSAC	24.5	16.5	20AH	10SH
TJA1109SSAC	Partridge	266.8	26/7	10734SSAC	11266	40734SSAC	23.2	15.2	76AH	10SH
TJA1309SSAC	Linnet	336.4	26/7	10800SSAC	11297	40800SSAC	26.5	16.5	20AH	12SH
TJA1313SSAC	Oriole	336.4	30/7	10800SSAC	11344	40800SSAC	26.5	16.5	20AH	12SH
TJA1508SSAC	Brant	397.5	24/7	10845SSAC	11281	40845SSAC	28.9	18.5	20AH	10SH
TJA1509SSAC	Ibis	397.5	26/7	10845SSAC	11312	40845SSAC	28.9	18.5	20AH	12SH
TJA1513SSAC	Lark	397.5	30/7	10845SSAC	11368	40845SSAC	28.9	18.5	20AH	12SH
TJA1808SSAC	Flicker	477.0	24/7	10922SSAC	11312	40922SSAC	32.1	20.5	24AH	12SH
TJA1809SSAC	Hawk	477.0	26/7	10922SSAC	11344	40922SSAC	32.1	20.5	24AH	12SH
TJA1813SSAC	Hen	477.0	30/7	10922SSAC	11406	40922SSAC	32.1	20.5	24AH	14SH
TJA2209SSAC	Dove	556.5	26/7	10102SSAC	11368	40102SSAC	35.8	23.1	27AH	12SH
TJA2213SSAC	Eagle	556.5	30/7	10102SSAC	11452	40102SSAC	35.8	23.1	27AH	14SH
TJA2408SSAC	Peacock	605.0	24/7	10102SSAC	11344	40102SSAC	35.8	23.1	27AH	12SH
TJA2408SSAC	Peacock	605.0	24/7	10102SSAC	11344	40102SSAC	35.8	23.1	27AH	12SH
TJA2409SSAC	Squab	605.0	26/7	10102SSAC	11391	40102SSAC	35.8	23.1	27AH	14SH
TJA2417SSAC	Teal	605.0	30/19	10102SSAC	11453	40102SSAC	35.8	23.1	27AH	16SH
TJA2413SSAC	Wood Duck	605.0	30/7	10102SSAC	11453	40102SSAC	35.8	23.1	27AH	16SH
TJA2517SSAC	Egret	636.0	30/19	10102SSAC	11469	40102SSAC	35.8	23.1	27AH	16SH
TJA2509SSAC	Grosbeak	636.0	26/7	10102SSAC	11406	40122SSAC	35.8	23.1	27AH	14SH
TJA2508SSAC	Rook	636.0	24/7	10107SSAC	11359	40107SSAC	35.8	23.1	27AH	12SH
TJA2513SSAC	Scoter	636.0	30/7	10102SSAC	11469	40102SSAC	35.8	23.1	27AH	16SH
TJA2808SSAC	Flamingo	666.6	24/7	10107SSAC	11359	40107SSAC	35.8	23.1	27AH	12SH

Splices — Compression

Product Data and Conductor Size (continued)

Full Tension Splice Assembly Catalog Number	ACSR Conductor ⁽¹⁾			Component Catalog Number		Jumper Loop Splice ⁽²⁾	Length Before Compression Inches		Die Size ⁽³⁾	
	Code Word	Kcmil	Strand AL / STL	Aluminum Body	Steel Sleeve		Full Tension	Loop Splice	Alum	Steel
TJA2809SSAC	Gannet	666.6	26/7	10107SSAC	11406	40107SSAC	35.8	23.1	27AH	14SH
TJA3017SSAC	Redwing	715.5	30/19	10110SSAC	11500	40110SSAC	38.7	25.8	30AH	16SH
TJA3009SSAC	Starling	715.5	26/7	10110SSAC	11407	40110SSAC	38.7	25.8	30AH	14SH
TJA3008SSAC	Stilt	715.5	24/7	10110SSAC	11375	40110SSAC	38.7	25.8	30AH	14SH
TJA3321SSAC	Condor	795.0	54/7	10117SSAC	11421	40117SSAC	38.7	25.8	30AH	14SH
TJA3308SSAC	Cuckoo	795.0	24/7	10110SSAC	11421	40110SSAC	38.7	25.8	30AH	14SH
TJA3309SSAC	Drake	795.0	26/7	10122SSAC	11453	40122SSAC	40.6	27.1	30AH	16SH
TJA3317SSAC	Mallard	795.0	30/19	10102SSAC	11516	40122SSAC	40.6	27.1	30AH	18SH
TJA3318SSAC	Tern	795.0	45/7	10110SSAC	11297	40110SSAC	40.6	25.8	30AH	12SH
TJA3821SSAC	Canary	900.0	54/7	10126SSAC	11407	40126SSAC	40.6	27.1	30AH	14SH
TJA3818SSAC	Ruddy	900.0	45/7	10126SSAC	11312	40126SSAC	40.6	27.1	30AH	12SH
TJA4117SSAC	Canvasback	954.0	30/19	10134SSAC	11563	40132SSAC	42.6	29.0	34AH	18SH
TJA4121SSAC	Cardinal	954.0	54/7	10126SSAC	11453	40126SSAC	40.6	27.1	30AH	16SH
TJA4118SSAC	Rail	954.0	45/7	10126SSAC	11329	40126SSAC	40.6	27.1	30AH	12SH
TJA4119SSAC	Towhee	954.0	48/7	10126SSAC	11360	40126SSAC	40.6	27.1	30AH	14SH
TJA4421SSAC	Curlew	1033.5	54/7	10132SSAC	11453	40132SSAC	42.6	29.0	34AH	16SH
TJA4418SSAC	Ortolan	1033.5	45/7	10132SSAC	11329	40132SSAC	42.6	29.0	34AH	12SH
TJA4718SSAC	Bluejay	1113.0	45/7	10132SSAC	11329	40132SSAC	42.6	29.0	34AH	12SH
TJA4724SSAC	Finch	1113.0	54/19	10136SSAC	11469	40136SSAC	44.4	30.6	34AH	16SH
TJA4918SSAC	Bunting	1192.5	45/7	10136SSAC	11360	40136SSAC	44.4	30.6	34AH	14SH
TJA4924SSAC	Grackle	1192.5	54/19	10136SSAC	11484	40145SSAC	45.5	32.3	36AH	16SH
TJA5118SSAC	Bittern	1272.0	45/7	10145SSAC	11360	40145SSAC	45.5	32.3	36AH	14SH
TJA5124SSAC	Pheasant	1272.0	54/19	10145SSAC	11501	40145SSAC	45.5	32.3	36AH	18SH
TJA5218SSAC	Dipper	1351.5	45/7	10145SSAC	11375	40145SSAC	45.5	32.3	36AH	14SH
TJA5224SSAC	Martin	1351.5	54/19	10149SSAC	11501	40149SSAC	46.3	34.0	38AH	18SH
TJA5418SSAC	Bobolink	1431.0	45/7	10149SSAC	11391	40149SSAC	46.3	34.0	38AH	14SH
TJA5424SSAC	Plover	1431.0	54/19	10149SSAC	11516	40149SSAC	46.3	34.0	38AH	18SH
TJA5618SSAC	Nuthatch	1510.5	45/7	10149SSAC	11392	40149SSAC	46.3	34.0	38AH	16SH
TJA5624SSAC	Parrot	1510.5	54/19	10157SSAC	11532	40157SSAC	47.0	35.4	40AH	18SH
TJA5724SSAC	Falcon	1590.0	54/19	10157SSAC	11546	40157SSAC	47.0	35.4	40AH	18SH

Splices — Compression

Product Data and Conductor Size (continued)

Full Tension Splice Assembly Catalog Number	ACSR Conductor ⁽¹⁾			Component Catalog Number		Jumper Loop Splice ⁽²⁾	Length Before Compression Inches		Die Size ⁽³⁾	
	Code Word	Kcmil	Strand AL / STL	Aluminum Body	Steel Sleeve		Full Tension	Loop Splice	Alum	Steel
TJA6028SSAC	Chukar	1780.5	84/19	10167SSAC	11569	40167SSAC	48.8	37.5	42AH	18SH
TJA6210SSAC	Roadrunner	2057.0	76/19	10167SSAC	11438	40167SSAC	48.8	37.5	42AH	16SH
TJA6328SSAC	Bluebird	2156.0	84/19	10184SSAC	11516	40184SSAC	50.7	39.1	44AH	18SH
TJA6610SSAC	Thrasher	2312.0	76/19	10184SSAC	11438	40184SSAC	52.0	40.8	44AH	18SH

NOTE: Splices are EHV rated where conductor is 1.0 in (25.4 mm) O.D. or larger. Joint compound: Fittings are ACSS-rated when installed with Fargo® HTJC16 joint compound — see table below for number of 16 oz tubes required for deadend body and terminal components.

(1) TJA splice assemblies are full-tension rated for ACSS conductors with standard high-strength (HS) and extra high-strength (EHS/UHS) steel cores.

(2) Loop splice is minimum tension connector (no steel sleeve component required).

(3) Compression press minimum size:
 20AH and smaller — 12 ton
 24AH through 40AH — 60 ton
 42AH and larger — 100 ton
 10SH and smaller — 12 ton
 12SH and larger — 60 ton

Fargo Type HTJC16 Joint Compound Required (Cartridges Per Fitting)

Component	Catalog Series	Die Size										
		76AH	20AH	24AH	27AH	30AH	34AH	36AH	38AH	40AH	42AH	44AH
FT Splice Body	10	0.10	0.20	0.32	0.44	0.60	0.94	0.98	1.10	1.10	1.40	1.52
Loop Splice	40	0.06	0.08	0.10	0.13	0.20	0.26	0.30	0.35	0.40	0.54	0.68

Splices—Compression

Conventional (Two Die) Full-Tension ACSS/TW Conductors

ALUMINUM

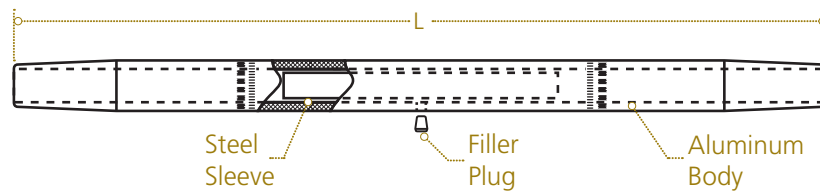
TJA-STW

Splice assemblies for ACSS/TW conductors consist of an aluminum splice body and steel sleeve.

Material: Body – seamless extruded aluminum alloy tube
Steel Sleeve – plated steel

IDENTIFICATION:

Conductor Size, Stranding &
Type Die Size, Minimum Press Size
Fargo® Component, Part Number
Date Code



Product Data and Conductor Size

Full Tension Splice ⁽¹⁾ Assembly Catalog Number	ACSS/TW Conductor ⁽²⁾				Component Catalog Number		Jumper Loop Splice ⁽³⁾	Length Before Compression Inches		Die Size	
	Code Word	Kcmil	Type	Strand AL / STL	Aluminum Body	Steel Sleeve		Full Tension	Loop Splice	Alum	Steel
TJA1323STW	Oriole/TW	336.4	23	16/7	10800STW	11344	40800STW	25.0	16.5	20AH	12SH
TJA1813STW	Flicker/TW	477.0	13	18/7	10922STW	11312	40922STW	32.1	20.5	24AH	12SH
TJA1816STW	Hawk/TW	477.0	16	18/7	10922STW	11344	40922STW	32.1	20.5	24AH	12SH
TJA1823STW	Hen/TW	477.0	23	16/7	10922STW	11406	40922STW	32.1	20.5	24AH	14SH
TJA2213STW	Parakeet/TW	556.5	13	18/7	10990STW	11329	40990STW	33.4	23.1	24AH	12SH
TJA2216STW	Dove/TW	556.5	16	20/7	10102STW	11368	40102STW	35.8	23.1	27AH	12SH
TJA0216STW	Calumet	565.3	16	20/7	10102STW	11368	40102STW	35.8	23.1	27AH	12SH
TJA0113STW	Mohawk	571.7	13	18/7	10102STW	11344	40102STW	35.8	23.1	27AH	12SH
TJA2513STW	Rook/TW	636.0	13	18/7	10107STW	11359	40107STW	35.8	23.1	27AH	12SH
TJA2516STW	Grosbeak/TW	636.0	16	20/7	10102STW	11406	40102STW	35.8	23.1	27AH	14SH
TJA0416STW	Oswego	664.6	16	20/7	10102STW	11406	40102STW	35.8	23.1	27AH	14SH
TJA0313STW	Mystic	666.6	13	20/7	10107STW	11359	40107STW	35.8	23.1	27AH	12SH
TJA0513STW	Maumee	768.2	13	20/7	10110STW	11391	40110STW	38.7	25.8	30AH	14SH
TJA0616STW	Wabash	762.8	16	20/7	10110STW	11452	40110STW	38.7	25.8	30AH	14SH
TJA3307STW	Tern/TW	795.0	7	17/7	10110STW	11297	40110STW	38.7	25.8	30AH	12SH
TJA3313STW	Condor/TW	795.0	13	20/7	10110STW	11421	40110STW	38.7	25.8	30AH	14SH
TJA3316STW	Drake/TW	795.0	16	20/7	10122STW	11453	40122STW	40.6	27.0	30AH	16SH
TJA3323STW	Mallard/TW	795.0	23	22/19	10122STW	11516	40122STW	40.6	27.0	30AH	18SH
TJA3813STW	Canary/TW	900.0	13	30/7	10122STW	11407	40122STW	40.6	27.0	30AH	14SH
TJA0810STW	Frasier	946.7	10	35/7	10126STW	11391	40126STW	40.6	27.0	30AH	14SH

Splices — Compression

Product Data and Conductor Size (continued)

Full Tension Splice ⁽¹⁾ Assembly Catalog Number	ACSS/TW Conductor ⁽²⁾				Component Catalog Number		Jumper Loop Splice ⁽³⁾	Length Before Compression Inches		Die Size	
	Code Word	Kcmil	Type	Strand AL / STL	Aluminum Body	Steel Sleeve		Full Tension	Loop Splice	Alum	Steel
TJA4107STW	Rail/TW	954.0	7	32/7	10126STW	11329	40126STW	40.6	27.0	30AH	12SH
TJA4113STW	Cardinal/TW	954.0	13	20/7	10126STW	11453	40126STW	40.6	27.0	30AH	16SH
TJA0707STW	Kettle	957.2	7	32/7	10126STW	11312	40126STW	40.6	27.0	30AH	12SH
TJA1016STW	Suwanee	959.6	16	22/7	10126STW	11484	40126STW	40.6	27.0	30AH	16SH
TJA0913STW	Columbia	966.2	13	21/7	10126STW	11469	40126STW	40.6	27.0	30AH	16SH
TJA4407STW	Ortolan/TW	1033.5	7	32/7	10132STW	11329	40132STW	42.6	29.0	34AH	12SH
TJA4413STW	Curlew/TW	1033.5	13	22/7	10132STW	11453	40132STW	42.6	29.0	34AH	16SH
TJA4707STW	Bluejay/TW	1113.0	7	33/7	10132STW	11329	40132STW	42.6	29.0	34AH	12SH
TJA4713STW	Finch/TW	1113.0	13	38/19	10132STW	11469	40132STW	44.4	30.6	34AH	16SH
TJA1407STW	Genesee	1158.0	7	33/7	10132STW	11391	40132STW	44.4	30.6	34AH	14SH
TJA4813STWT	Hudson	1158.4	13	25/7	10132STW	11469	40132STW	44.4	30.6	34AH	16SH
TJA4907STW	Bunting/TW	1192.5	7	33/7	10132STW	11360	40132STW	44.4	30.6	34AH	14SH
TJA4913STW	Grackle/TW	1192.5	13	38/19	10145STW	11484	40145STW	45.5	32.3	36AH	16SH
TJA1913STW	Yukon	1233.6	13	38/19	10145STW	11484	40145STW	45.5	32.3	36AH	16SH
TJA1707STW	Nelson	1257.1	7	35/7	10136STW	11360	40136STW	44.4	30.6	34AH	14SH
TJA5107STW	Bittern/TW	1272.0	7	35/7	10145STW	11360	40145STW	45.5	32.3	36AH	14SH
TJA5113STW	Pheasant/TW	1272.0	13	39/19	10141STW	11501	40141STW	45.5	32.3	36AH	18SH
TJA2313STW	Thames	1334.6	13	39/19	10141STW	11501	40141STW	45.5	32.3	36AH	18SH
TJA5207STW	Dipper/TW	1351.5	7	35/7	10145STW	11375	40145STW	45.5	32.3	36AH	14SH
TJA5213STW	Martin/TW	1351.5	13	39/19	10149STW	11501	40149STW	46.3	34.0	38AH	18SH
TJA5407STW	Bobolink/TW	1431.0	7	36/7	10149STW	11391	40149STW	46.3	34.0	38AH	14SH
TJA5413STW	Plover/TW	1431.0	13	39/19	10149STW	11516	40149STW	46.3	34.0	38AH	18SH
TJA2713STW	Merrimack	1433.6	13	39/19	10149STW	11516	40149STW	46.3	34.0	38AH	18SH
TJA3013STW	Rio Grande	1533.3	13	39/19	10149STW	11532	40149STW	46.3	34.0	38AH	18SH
TJA2907STW	Potomac	1557.4	7	36/7	10149STW	11506	40149STW	46.3	34.0	38AH	16SH
TJA5707STW	Lapwing/TW	1590.0	7	36/7	10157STW	11469	40157STW	47.0	35.7	38AH	16SH
TJA5713STW	Falcon/TW	1590.0	13	42/19	10157STW	11546	40157STW	47.0	35.7	40AH	18SH
TJA3107STW	Schukill	1657.4	7	36/7	10157STW	11422	40157STW	47.0	35.7	40AH	16SH
TJA6008STW	Chukar/TW	1780.0	8	37/19	10167STW	11569	40167STW	48.8	37.5	42AH	18SH
TJA3413STW	Cumberland	1926.9	13	42/19	10167STW	11548	40167STW	48.8	37.5	42AH	20SH
TJA3607STW	Athabaska	1949.6	7	42/7	10167STW	11453	40167STW	48.8	37.5	42AH	16SH
TJA6308STW	Bluebird/TW	2156.0	8	64/19	10184STW	11516	40184STW	50.7	39.1	44AH	18SH

Continued on next page.

Splices — Compression

NOTE: Splices are EHV rated where conductor is 1.0 in (25.4 mm) O.D. or larger. Joint compound: Fittings are ACSS-rated when installed with Fargo® HTJC16 joint compound. See table below for number of 16 oz tubes required for deadend body and terminal connections.

- (1) TJA splice assemblies are full-tension rated for ACSS/TW conductors with standard high-strength (HS) and extra high-strength (EHS/UHS) steel cores.
- (2) Loop splice is minimum tension connector (no steel sleeve component required).
- (3) Compression press minimum size:
 - 20AH and smaller — 12 ton
 - 24AH through 40AH — 60 ton
 - 42AH and larger — 100 ton
 - 10SH and smaller — 12 ton
 - 12SH and larger — 60 ton

Fargo Type HTJC16 Joint Compound Required (Cartridges Per Fitting)

Component	Catalog Series	Die Size										
		76AH	20AH	24AH	27AH	30AH	34AH	36AH	38AH	40AH	42AH	44AH
FT Splice Body	10	0.10	0.20	0.32	0.44	0.60	0.94	0.98	1.10	1.10	1.40	1.52
Loop Splice	40	0.06	0.08	0.10	0.13	0.20	0.26	0.30	0.35	0.40	0.54	0.68

Splices — Compression

Compression Full-Tension Splice Alumoweld® and EHS Steel

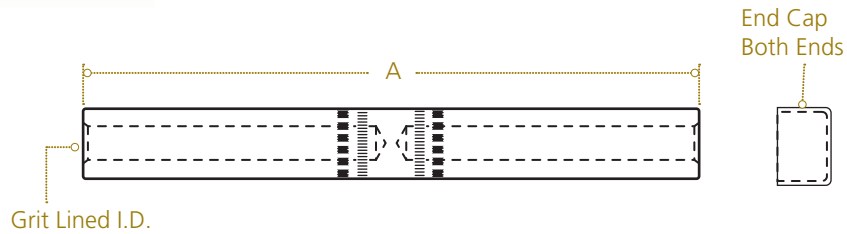
ALUMINUM

81

Material: Body – aluminum alloy (SWS series galvanized steel)

IDENTIFICATION:

Wire Size
Die Size, Minimum Press Size
Part Number, Date Code



Product Data and Conductor Size

Catalog Number	Shield Wire Data		Length Before Compression Inches (mm)	Die Size	Minimum Press Size Tons	Net Wt lb (kg)	
	Outside Diameter Inches	EHS Steel					Alumoweld
811222	0.306 - 0.313	5/16	7 # 10, 3 # 7	8.0 (203)	12SH	60	.20 (.09)
811425	0.343 - 0.375	3/8	7 # 9, 3 # 6	9.9 (251)	14SH	60	.30 (.14)
811427	0.385 - 0.392	—	7 # 8, 3 # 5	10.7 (272)	14SH	60	.30 (.14)
811630	0.417 - 0.438	7/16	7 # 7	12.8 (325)	16SH	60	.40 (.20)
SWS100547	0.486 - 0.500	1/2	7 # 6	10.5 (267)	16SH	60	1.4 (.64)
SWS100578	0.540 - 0.547	—	7 # 5	10.5 (267)	16SH	60	1.3 (.59)
SWS125625	0.564 - 0.572	9/16	19 # 5	11.5 (292)	18SH	60	2.6 (1.2)

NOTE: Add "PC" suffix for factory loaded inhibitor. Example: 811425PC for extra length repair splice, add "XL" suffix and repair cutoff length in inches. Example: 811425XL24.

Repair Sleeves — Compression

One Die Repair Sleeve AAC, AAAC, ACAR and ACSR Conductors

ALUMINUM

RS1700

Two piece repair sleeve is used to restore electrical and mechanical integrity to conductors with damage to strands in the outer layer only.

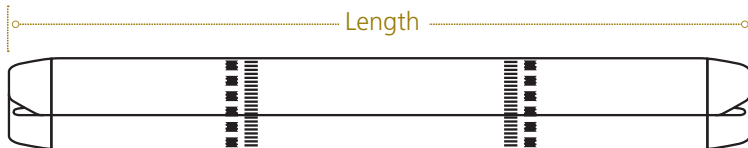
If damage extends to the inner layer of aluminum or alloy strands, a full tension Extra Long XL repair splice should be used.

Material: Body – aluminum alloy



IDENTIFICATION:

Conductor Type & Diameter Range
Die Size, Minimum Press Size
Part Number, Date Code



Product Data and Conductor Size

Catalog Number	Conductor Range ⁽¹⁾⁽²⁾		Die Size ⁽⁴⁾	Minimum Press Size Tons	Length Before Compression Inches (mm)	Net Wt lb (kg)	
	Outside Diameter Inches ⁽³⁾	AAC Size Kcmil					ACSR Size Kcmil (Str)
RS1707	0.595 - 0.679	300, 336.4, 350	266.8 (18/1) (26/7) (30/7)	07CD	12	8.40 (213)	.40 (.18)
RS1708	0.680 - 0.765	350, 397.5, 400	300 (26/7) 336.4 (18/1) (26/7) (30/7) 397.5 (18/1)	08CD 76AH	12	9.60 (243)	.85 (.38)
RS1709	0.772 - 0.855	450, 477, 500, 550	397.5 (24/7) (26/7) (30/7) 477 (18/1)	09CD	12	10.80 (274)	.95 (.43)
RS1710	0.856 - 0.950	556.5, 600, 636, 650	477 (24/7) (26/7) (30/7) 556.5 (18/1) (24/7) (26/7) 636 (18/1)	10CD 24AH	60	12.00 (304)	1.2 (.38)
RS1711	0.940 - 1.036	700, 715, 795	556.5 (30/7), 605 (24/7) (26/7) (30/7) (30/19), 636 (18/1) - (30/19), 666 (24/7) (26/7), 715.5 (24/7)	11CD	60	13.20 (335)	1.6 (.72)
RS1712	1.026 - 1.131	795, 800, 874.5, 900, 954	715.5 (26/7) (30/19), 795 (24/7) (26/7) (45/7) (54/7) 795 (36/1), 900 (45/7)	12CD	60	14.40 (365)	2.0 (.90)
RS1713	1.140 - 1.235	1000, 1033.5	795 (30/19)	13CD 30AH	60	15.60 (396)	2.5 (1.1)
		1100, 1113	795 (30/19), 900 (54/7) 954 (45/7) (54/7) 1033.5 (36/1) (45/7)	13CD			
RS1714	1.236 - 1.330	1192.5, 1200, 1250, 1272, 1300	954 (30/19), 1033.5 (54/7) 1113 (45/7) (54/19) 1192.5 (45/7)	14CD 34AH	60	16.80 (426)	3.2 (1.4)
RS1715	1.331 - 1.425	1351.5, 1400, 1431, 1500, 1510.5	1192.5 (54/19) 1272 (45/7) (54/19) 1351.5 (45/7) (54/19)	15CD 36AH	60	18.00 (457)	4.0 (1.8)
RS1716	1.426 - 1.520	1590, 1600, 1700	1431 (45/7) (54/19), 1510.5 (45/7) (54/19) 1590 (45/7)	16CD 38AH	60	19.20 (487)	4.8 (2.2)
RS1717	1.521 - 1.615	1750, 1800, 1900	1590 (54/19), 1780 (84/19), 1869(68/7)	17CD 40AH	60	20.40 (518)	5.7 (2.6)
RS1719	1.630 - 1.805	2000, 2250, 2300	2034.5 (72/7), 2057 (76/19) 2167 (72/7)	19CD 40AH	100	22.80 (579)	8.0 (3.6)
		—	2156 (84/19), 2312 (76/19)	19CD			

(1) Install with Fargo® type UJC or, for lowest resistance repair, type HTJC inhibitor compound.

(2) Repair sleeves are EHV rated where conductor is 1.0 in (25.4 mm) O.D. or larger.

(3) Repair sleeves are suitable for EHV applications on conductors over 1 in O.D.

(4) Standard hex dies not available for some sleeve and conductor combinations. If no AH die listed for conductor, use only the CD die shown.

Repair Sleeves — Compression

One Die Repair Sleeve ACSS Conductors

ALUMINUM

RS1700SSAC

Two-piece repair sleeve is used to restore electrical and mechanical integrity to conductors with partial damage to aluminum strands.

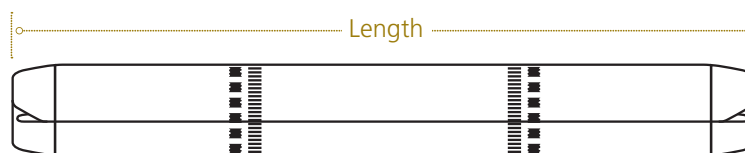
The repair sleeves listed below will restore damaged ACSS cables where the damage section is not longer than 20% of repair splice length before crimping; and at least 50% of the aluminum strand and 100% of the steel core are undamaged.



Material: Body – aluminum alloy

IDENTIFICATION:

Conductor Type & Diameter Range
Die Size, Minimum Press Size
Part Number, Date Code



Product Data and Conductor Size

Catalog Number	ACSS Conductors ⁽¹⁾		Die Size ⁽³⁾	Minimum Press Size Tons	Length Before Compression Inches (mm)	Net Wt lb (kg)
	Outside Diameter Inches ⁽²⁾	Access Size Kcmil (Str)				
RS1707SSAC	0.595 - 0.679	266.8 (26/7) (30/7)	07CD	12	12.6 (307)	0.6 (0.27)
RS1708SSAC	0.680 - 0.765	300 (26/7) 336.4 (22/7) (26/7) (30/7)	08CD 76AH	12	14.4 (351)	1.3 (0.59)
RS1709SSAC	0.772 - 0.855	397.5 (24/7) (26/7) (30/7) 477 (24/7)	09CD	12	16.2 (395)	1.4 (0.64)
RS1710SSAC	0.856 - 0.950	477 (26/7) (30/7) 556.5 (24/7) (26/7)	10CD 24AH	60	18.0 (439)	1.8 (1.00)
RS1711SSAC	0.940 - 1.036	556.5 (30/7), 605 (24/7) (26/7) (30/7) 636 (24/7) (26/7) (30/7) (30/19) 666 (24/7) (26/7), 715.5 (24/7)	11CD	60	19.8 (483)	2.4 (1.09)
RS1712SSAC	1.026 - 1.131	715.5 (26/7) (30/19), 795 (24/7) (26/7) (45/7) (54/7) 900 (45/7)	12CD	60	21.6 (527)	3.0 (1.36)
RS1713SSAC	1.140 - 1.235	795 (30/19)	13CD 30AH	60	23.4 (571)	3.8 (1.73)
		900 (54/7), 954 (45/7) (54/7), 1033.5 (45/7)	13CD			
RS1714SSAC	1.236 - 1.330	954 (30/19), 1033.5 (54/7) 1113 (45/7) (54/19) 1192.5 (45/7)	14CD 34AH	60	25.2 (615)	4.8 (2.18)
RS1715SSAC	1.331 - 1.425	1192.5 (54/19) 1272 (45/7) (54/19) 1351.5 (45/7) (54/19)	15CD 36AH	60	27.0 (659)	6.0 (2.72)
RS1716SSAC	1.426 - 1.520	1431 (45/7) (54/19), 1510.5 (45/7) (54/19) 1590 (45/7)	16CD 38AH	60	28.8 (703)	7.2 (3.27)
RS1717SSAC	1.521 - 1.615	1590 (54/19) 1780 (84/19)	17CD 40AH	60	30.6 (747)	8.6 (3.90)
RS1719SSAC	1.630 - 1.805	2034.5 (72/7), 2057 (76/19)	19CD	100	34.2 (834)	12.0 (5.45)
		2156 (84/19), 2312 (76/19)	19CD			

- (1) Install with Fargo® type HTJC inhibitor compound.
- (2) Repair sleeves are suitable for EHV applications on conductors over 1.0 in O.D.
- (3) Repair sleeves are EHV rated where conductor is 1.0 in (25.4 mm) O.D. or larger.

Repair Sleeves — Compression

One Die Repair Sleeve ACSS/TW Conductors

ALUMINUM

RS1700STW

Two piece repair sleeve is used to restore electrical and mechanical integrity to conductors with partially damage to aluminum strands.

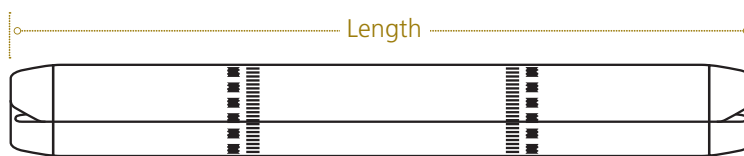
The repair sleeves listed below will restore damaged ACSS/TW cables where the damage section is not longer than 20% of repair splice length before crimping; and at least 50% of the aluminum strand and 100% of the steel core are undamaged.

Material: Body – aluminum alloy



IDENTIFICATION:

Conductor Type & Diameter Range
Die Size, Minimum Press Size
Part Number, Date Code

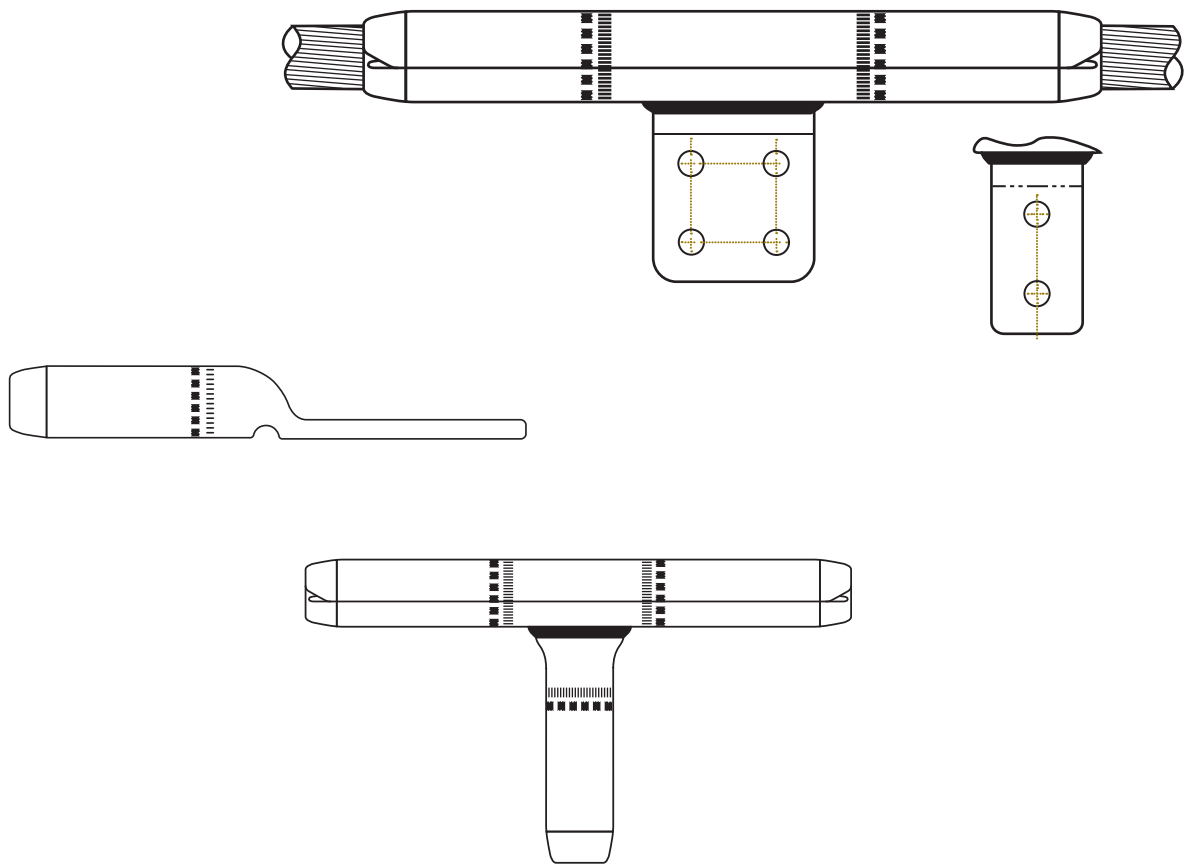


Product Data and Conductor Size

RS1708STW	0.630 - 0.695	336.4 (18/7) T23	08CD 76AH	12	14.4 (351)	1.3 (0.59)
RS1709STW	0.721 - 0.776	477 (18/7) T13	09CD	12	16.2 (395)	1.4 (0.64)
RS1710STW	0.776 - 0.858	477 (18/7) T16 & T23 556 (18/7) T13 (20/7) T16 565.3 (18/7) T16, 571.7 (18/7) T13	10CD 24AH	60	18.0 (439)	1.8 (1.00)
RS1711STW	0.880 - 0.930	636.0 (19/7) T13 (20/7) T16 795.0 (17/7) T7 (20/7) T13 & T16	11CD	60	19.8 (483)	2.4 (1.09)
RS1712STW	0.960 - 1.010	762.8 (20/7) T13 & T16 795.0 (17/7) T7 (20/7) T13 & T16	12CD	60	21.6 (527)	3.0 (1.36)
RS1713STW	1.046 - 1.108	795.0 T23	13CD 30AH	60	23.4 (571)	3.8 (1.73)
		954 (32/7) T7 (20/7) T13 959.6 (22/7) T16, 966.2 (21/7) T13 1033.5 (32/7) T7	13CD			
RS1714STW	1.125 - 1.196	1033.5 (22/7) T13 1113 (32/7) T7, 1113 (38/19) T13 1158.0 (33/7) T7, 1158.4 (26/7) T13 1192.5 (33/7) T7	14CD 34AH	60	25.2 (615)	4.8 (2.18)
RS1715STW	1.212 - 1.300	1192.5 (38/19) T13, 1233.6 (38/19) T13 1272 (35/7) T7 (39/19) T13 1334.6 (39/19) T13, 1351.5 (35/7) T7 1351.5 (39/19) T13, 1431 (36/7) T7	15CD 36AH	60	27.0 (659)	6.0 (2.72)
RS1716STW	1.301 - 1.382	1431 (37/19) T13 1433.6 (39/19) T13, 1533.3 (39/19) T13 1590 (36/7) T7	16CD 38AH	60	28.8 (703)	7.2 (3.27)
RS1717STW	1.385 - 1.504	1590 (42/19) T13 1657.4 (36/7) T7, 1949.6 (42/7) T7	17CD 40AH	60	30.6 (747)	8.6 (3.90)
RS1719STW	1.504 - 1.608	1929.6 (42/19) T13, 1949.6 (42/7) T7 2153.8 (64/19) T7, 2156 (64/19) T8	19CD	100	34.2 (834)	12.0 (5.45)

- (1) Install with Fargo® type HTJC inhibitor compound.
- (2) Repair sleeves are suitable for EHV applications on conductors over 1.0 in O.D.
- (3) Repair sleeves are EHV rated where conductor is 1.0 in (25.4 mm) O.D. or larger.

Jumper Terminals and Tee Taps



delivery

Jumper Terminals & Tee Taps Index

Compression/Aluminum

JTS	Straight Pad for AAC, AAAC, ACAR & ACSR Conductor	E-1
JTF.....	15 Degree Pad for AAC, AAAC, ACAR & ACSR Conductor.....	E-3
ORT21.....	Cable to Pad, Open Run, AAC, AAAC, ACAR & ACSR Conductor	E-7
ORT21SSAC	Cable to Pad, Open Run, ACSS.....	E-8
ORT21STW.	Cable to Pad, Open Run, ACSS/TW	E-9
ORT22.....	Cable to Cable, Open Run, AAC, ALLOY, ACAR AND ACSR Conductors	E-10
30.....	15 Degree Terminal Alumoweld® & EHS Steel	E-6
33.....	Straight Terminal Alumoweld® & EHS Steel	E-5

Jumper Terminals

Compression Straight Pad AAC, AAAC, ACAR and ACSR Conductor Jumper Terminal

ALUMINUM

JTS

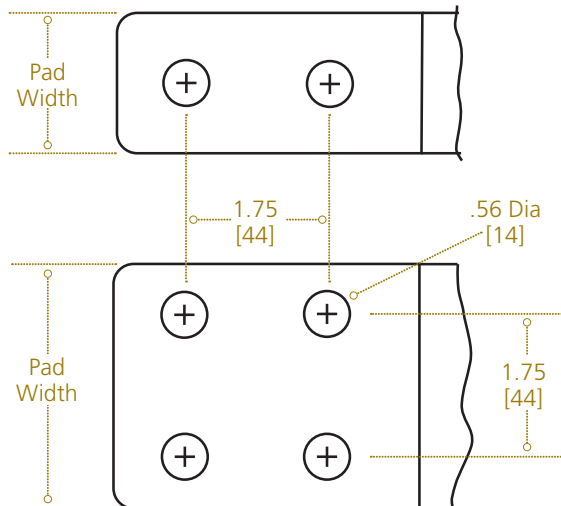
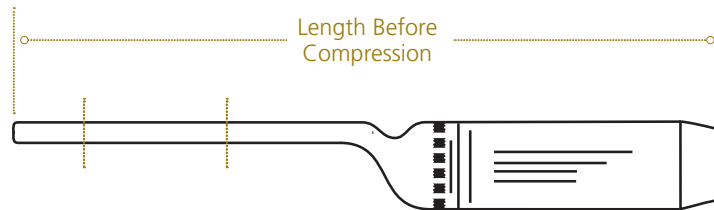
Jumper terminals are prefilled with inhibitor. Tongue holes have NEMA spacing. Standard hardware includes one aluminum ½ - 13 bolt, nut and two aluminum washers per .56 diameter hole.

Jumper terminals for conductors 1.00 inch diameter or larger are EHV rated.

Material: Terminal – seamless extruded aluminum alloy tube
Hardware – aluminum alloy

IDENTIFICATION:

Conductor Type & Diameter Range
Die Size, Minimum Press Size
Part Number, Date Code



Jumper Terminals

Product Data and Conductor Size

Catalog Number	Conductor Range ⁽¹⁾			Pad Width Inches (mm) — Holes	Length Inches (mm)	Die Size	Minimum Press Tons	Net Weight lb (kg)
	Outside Diameter Inches ⁽²⁾ Std Cond / Compact/TW	AAC Size Kcmil	ACSR Kcmil (Str)					
			ACSR/TW (Typ)					
JTS07	0.595-0.679	300-350	266.8 (26/7) - 336.4 (18/1)	$\frac{1.7 (44)}{2}$	9.2 (234)	07CD	12	0.4 (.19)
	0.547-0.611							
JTS08	0.680-0.765	397.5-400	336.4 (18/1) - 397.5 (20/7)	$\frac{1.7 (44)}{2}$	9.8 (249)	08CD	12	0.6 (.27)
	0.630-0.695		336.4 (T23)					
JTS09	0.766-0.855	450-550	397.5 (24/7) - 477 (24/7)	$\frac{2.2 (56)}{2}$	10.4 (264)	09CD	12	0.8 (.36)
	0.702-0.776		397.5 (T13) - 477 (T13)					
JTS10	0.856-0.950	556.5-650	477 (26/7) - 636 (18/1)	$\frac{2.2 (56)}{2}$	11.4 (290)	10CD	60	1.1 (.49)
	0.789-0.858		477 (T16) - 565.3 (T16)					
JTS11	0.950-1.045	700-795	636 (18/1) - 795 (36/1)	$\frac{3.0 (76)}{4}$	12.1 (307)	11CD	60	1.5 (.68)
	0.880-0.930		636 (T13) - 664.6 (T13)					
JTS12	1.026-1.131	795-954	795 (36/1) - 900 (45/7)	$\frac{3.0 (76)}{4}$	12.7 (323)	12CD	60	1.8 (.81)
	0.960-1.010		795 (T7) - 795 (T16)					
JTS13	1.140-1.235	1000-1113	795 (30/19) - 1033.5 (45/7)	$\frac{3.0 (76)}{4}$	13.4 (340)	13CD	60	2.2 (.99)
	1.046-1.108		795 (T23) - 959.5 (T16)					
JTS14	1.236-1.330	1192.5-1300	954 (30/19) - 1272 (36/1)	$\frac{3.0 (76)}{4}$	14.0 (356)	14CD	60	2.7 (1.2)
	1.125-1.196		1035 (T13) - 1158.4 (T13)					
JTS15	1.331-1.425	1351.5-1510.5	1192.5 (54/19) - 1351.5 (54/19)	$\frac{3.0 (76)}{4}$	14.6 (371)	15CD	60	3.1 (1.4)
	1.212-1.300		1192.5 (T13) - 1351.5 (T13)					
JTS16	1.426-1.520	1590-1700	1431 (45/7) - 1590 (45/7)	$\frac{3.0 (76)}{4}$	15.9 (404)	16CD	60	3.9 (1.7)
	1.290-1.382		1431 (T7) - 1590 (T7)					
JTS17	1.521-1.615	1750-1900	1590 (54/19) - 1868 (68/7)	$\frac{4.0 (102)}{4}$	16.5 (419)	17CD	60	4.7 (2.1)
	1.385-1.504		1590 (T13) - 1949.6 (T7)					
JTS19	1.630-1.805	2000-2300	2034.5 (72/7) - 2312 (76/19)	$\frac{4.0 (102)}{4}$	17.8 (452)	19CD	100	6.1 (2.8)
	1.504-1.608		1926.9 (T13) - 2156 (T8)					
JTS20	1.806-1.900	2500	2515 (76/19)	$\frac{4.0 (102)}{4}$	18.4 (467)	20CD	100	7.1 (3.2)
	1.662-1.710							

NOTE: Conventional (AH Die) jumper terminals in catalog number series 33XXX listed separately. To specify stainless steel hardware add "SS" to catalog number. Example: JTS12SS

(1) Compact AAC and ACSR/TW conductor terminal diameter ranges are the lower of the dual listings.

(2) These terminals also approved for minimum tension applications on AAC and ACAR conductors within the diameter ranges.

Jumper Terminals

Compression 15° Pad AAC, AAAC, ACAR and ACSR Conductor Jumper Terminal

ALUMINUM

JTF

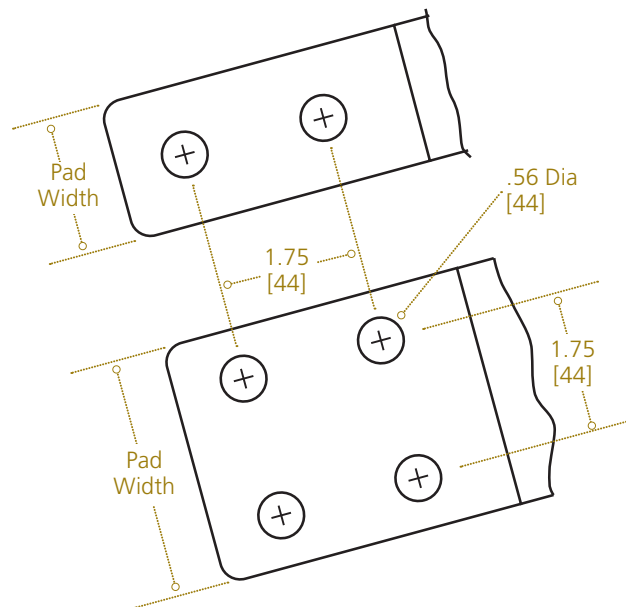
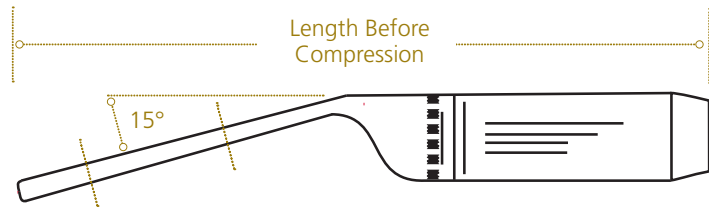
Jumper terminals are prefilled with inhibitor. Tongue holes have NEMA spacing. Standard hardware includes one aluminum 1/2 - 13 bolt, nut and two aluminum washers per .56 diameter hole.

Jumper terminals for conductors 1.00 inch diameter or larger are EHV rated.

Material: Terminal – seamless extruded aluminum alloy tube
Hardware – aluminum alloy

IDENTIFICATION:

Conductor Type & Diameter Range
Die Size, Minimum Press Size
Part Number, Date Code



assurance

Jumper Terminals

Product Data and Conductor Size

Catalog Number	Conductor Range ⁽¹⁾		Pad Width	Length Inches (mm)	Die Size	Minimum Press Tons	Net Weight lb (kg)	
	Outside Diameter Inches ⁽²⁾ Std Cond /	AAC Size Kcmil						ACSR Kcmil (Str)
	Com		ACSR/TW (Typ)					
JTF07	0.595-0.679	300-350	266.8 (26/7) - 336.4 (18/1)	$\frac{1.7 (44)}{2}$	9.2 (234)	07CD	12	0.4 (.19)
	0.547-0.611							
JTF08	0.680-0.765	397.5-400	336.4 (18/1) - 397.5 (20/7)	$\frac{1.7 (44)}{2}$	9.8 (249)	08CD	12	0.6 (.27)
	0.630-0.695							
JTF09	0.766-0.855	450-550	397.5 (24/7) - 477 (24/7)	$\frac{2.2 (56)}{2}$	10.4 (264)	09CD	12	0.8 (.36)
	0.702-0.776							
JTF10	0.856-0.950	556.5-650	477 (26/7) - 636 (18/1)	$\frac{2.2 (56)}{2}$	11.4 (290)	10CD	60	1.1 (.49)
	0.789-0.858							
JTF11	0.950-1.045	700-795	636 (18/1) - 795 (36/1)	$\frac{3.0 (76)}{4}$	12.1 (307)	11CD	60	1.5 (.68)
	0.880-0.930							
JTF12	1.026-1.131	795-954	795 (36/1) - 900 (45/7)	$\frac{3.0 (76)}{4}$	12.7 (323)	12CD	60	1.8 (.81)
	0.960-1.010							
JTF13	1.140-1.235	1000-1113	795 (30/19) - 1033.5 (45/7)	$\frac{3.0 (76)}{4}$	13.4 (340)	13CD	60	2.2 (.99)
	1.046-1.108							
JTF14	1.236-1.330	1192.5-1300	954 (30/19) - 1272 (36/1)	$\frac{3.0 (76)}{4}$	14.0 (356)	14CD	60	2.7 (1.2)
	1.125-1.196							
JTF15	1.331-1.425	1351.5-1510.5	1192.5 (54/19) - 1351.5 (54/19)	$\frac{3.0 (76)}{4}$	14.6 (371)	15CD	60	3.1 (1.4)
	1.212-1.300							
JTF16	1.426-1.520	1590-1700	1431 (45/7) - 1590 (45/7)	$\frac{3.0 (76)}{4}$	15.9 (404)	16CD	60	3.9 (1.7)
	1.290-1.382							
JTF17	1.521-1.615	1750-1900	1590 (54/19) - 1868 (68/7)	$\frac{4.0 (102)}{4}$	16.5 (419)	17CD	60	4.7 (2.1)
	1.385-1.504							
JTF19	1.630-1.805	2000-2300	2034.5 (72/7) - 2312 (76/19)	$\frac{4.0 (102)}{4}$	17.8 (452)	19CD	100	6.1 (2.8)
	1.504-1.608							
JTF20	1.806-1.900	2500	2515 (76/19)	$\frac{4.0 (102)}{4}$	18.4 (467)	20CD	100	7.1 (3.2)
	1.662-1.710							

NOTE: Conventional (AH Die) jumper terminals in catalog number series 33XXX listed separately. To specify stainless steel hardware add "SS" to catalog number. Example: JTF09SS

(1) Compact AAC and ACSR/TW conductor terminal diameter ranges are the lower of the dual listings.

(2) These terminals also approved for minimum tension applications on AAAC and ACAR conductors within the diameter ranges.

Shield Wire Terminals

Compression Straight Terminal Alumoweld® and EHS Steel Shield Wire Terminal

ALUMINUM

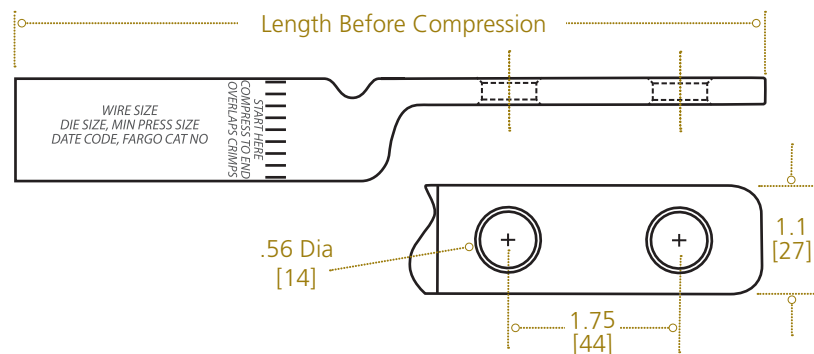
33

The bore is capped and pad holes have NEMA spacing. Standard hardware includes two aluminum ½ - 13 bolts, nuts and four aluminum washers.

Material: Body – aluminum alloy
Hardware – aluminum alloy

IDENTIFICATION:

Wire Type & Size
Die Size, Minimum Press Size
Part Number, Date Code



Product Data and Wire Size

Catalog Number	Shield Wire Data		Length Before Compression Inches (mm)	Die Size	Minimum Press Tons	Net Weight lb (kg)	
	Outside Diameter Inches	EHS Steel					Alumoweld
331022	0.306-0.313	5/16	7 # 10, 3 # 7	7.2 (180)	10SH	12	.18 (.08)
331225	0.343-0.375	3/8	7 # 9, 3 # 6	7.4 (190)	12SH	60	.27 (.12)
331227	0.385-0.392	—	7 # 8, 3 # 5	7.6 (190)	12SH	60	.38 (.17)
331430	0.417-0.438	7/16	7 # 7	7.6 (190)	14SH	60	.40 (.18)
331635SW	0.486-0.500	1/2	7 # 6	7.8 (200)	16SH	60	.57 (.26)

Shield Wire Terminals

Compression Straight Terminal Alumoweld® and EHS Steel Shield Wire Terminal

ALUMINUM

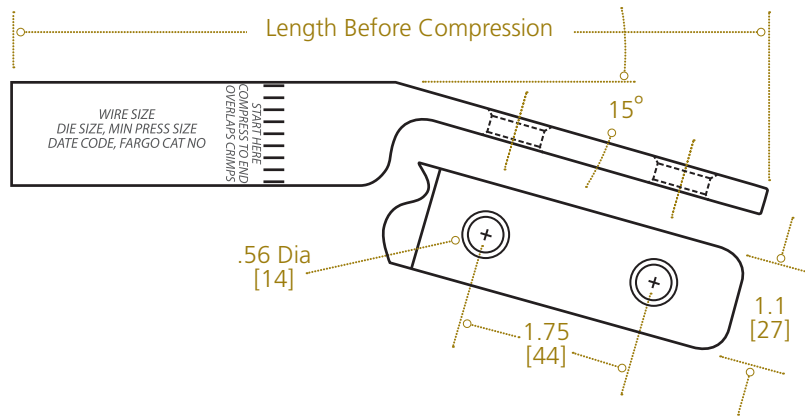
30

The bore is capped and pad holes have NEMA spacing. Standard hardware includes two aluminum ½ - 13 bolts, nuts and four aluminum washers.

Material: Body – aluminum alloy
Hardware – aluminum alloy

IDENTIFICATION:

Wire Type & Size
Die Size, Minimum Press Size
Part Number, Date Code



Product Data and Wire Size

Catalog Number	Shield Wire Data			Length Before Compression Inches (mm)	Die Size	Minimum Press Tons	Net Weight lb (kg)
	Outside Diameter Inches	EHS Steel	Alumoweld				
301022SW	0.306-0.313	5/16	7 # 10, 3 # 7	6.1 (150)	12SH	60	.18 (.08)
301225SW	0.343-0.375	3/8	7 # 9, 3 # 6	6.4 (160)	12SH	60	.27 (.12)
301227SW	0.385-0.392	—	7 # 8, 3 # 5	6.4 (160)	12SH	60	.38 (.17)
301430SW	0.417-0.438	7/16	7 # 7	6.9 (170)	14SH	60	.40 (.18)
301635SW	0.486-0.500	1/2	7 # 6	7.4 (190)	16SH	60	.57 (.26)

Tee Connectors

Tee-Taps Compression Cable to Pad — Open Run AAC, AAAC, ACAR and ACSR Conductors

ALUMINUM

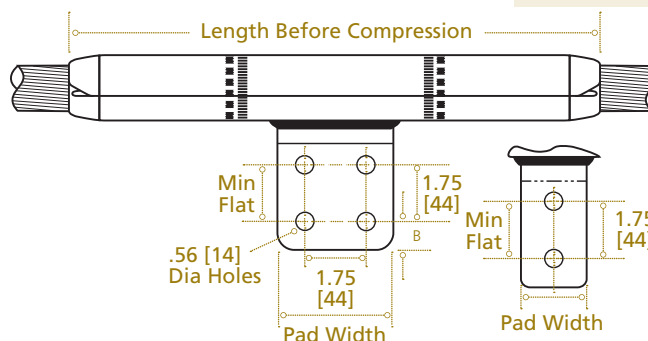
ORT21

Pad holes have NEMA spacing.

Material: Body – aluminum alloy
Pad – cast aluminum

IDENTIFICATION:

Conductor Type & Diameter Range
Die Size, Minimum Press Size
Part Number, Date Code



Product Data and Wire Size

Fargo Catalog Number	Conductor Range ⁽¹⁾			Pad Details		Length Before Compression Inches (mm)	Die Size ⁽²⁾	Minimum Press Tons	Net Weight lb (kg)
	Outside Diameter Inches (mm)	AAC Size Kcmil	ACSR Size Kcmil (Str)	Bolt Holes	Width Inches (mm)				
ORT2107	0.595 - 0.679 (15.1 - 17.2)	300, 336.4, 350	266.8 (18/1) (6/7) (26/7)	2	2.0 (51)	11.3 (287)	07CD	12	0.84 (0.37)
ORT2108	0.680 - 0.765 (17.3 - 19.4)	350, 397.5, 400	336.4 (18/1) (26/7) (30/7), 397.5 (18/1)	2	2.0 (51)	12.7 (323)	08CD	12	1.1 (0.48)
ORT2109 ORT2109C	0.766 - 0.855 (19.5 - 21.7)	450, 477, 500, 550	397.5 (24/7) (26/7) (30/7), 477 (18/1) (24/7)	2 4	2.0 (51) 3.0 (76)	13.4 (340) 14.4 (366)	09CD	12	1.4 (0.61) 1.5 (0.65)
ORT2110 ORT2110C	0.856 - 0.950 (21.7 - 24.1)	556.5, 600, 636, 650	477 (26/7) (30/7), 556.5 (18/1) (24/7) (26/7), 636 (18/1) (36/1)	2 4	2.0 (51) 3.0 (76)	14.3 (363) 15.3 (389)	10CD 24AH	60	1.7 (0.74) 1.8 (0.78)
ORT2111	0.950 - 1.045 (24.2 - 26.5)	700, 715.5, 750	556.5 (30/7), 605 (24/7) (26/7) (30/19), 636 (18/1) - (30/19), 666 (24/7) (26/7), 715.5 (24/7)	4	3.0 (76)	16.3 (414)	11CD	60	2.5 (1.09)
ORT2112 ORT2112D	1.026 - 1.131 (26.1 - 28.7)	795, 800, 874.5, 900, 954	715.5 (24/7) (26/7) (30/19), 795 (24/7) (26/7) (45/7) (54/7), 795 (36/1), 900 (45/7)	4	3.0 (76) 4.0 (102)	17.3 (439) 18.3 (465)	12CD	60	3.1 (1.35) 3.3 (1.50)
ORT2113 ORT2113D	1.140 - 1.235 (29.0 - 31.4)	1000, 1033.5, 1100, 1113	795 (30/19) 900 (54/7), 954 (45/7) (54/7), 1033.5 (36/1) (45/7)	4 4	3.0 (76) 4.0 (102)	18.5 (470) 19.5 (495)	13CD 30AH 13CD	60	3.6 (1.57) 3.8 (1.66)
ORT2114 ORT2114D	1.236 - 1.330 (31.5 - 33.8)	1192.5, 1200, 1250, 1272, 1300	954 (30/19), 1033.5 (54/7), 1113 (45/7) (54/19), 1192.5 (45/7)	4	3.0 (76) 4.0 (102)	19.8 (503) 20.8 (528)	14CD 34AH	60	4.6 (2.00) 4.8 (2.09)
ORT2115 ORT2115D	1.331 - 1.425 (33.9 - 36.2)	1351.5, 1400, 1431, 1500, 1510.5	1192.5 (54/19), 1272 (45/7) (54/19), 1351.5 (45/7) (54/19)	4	3.0 (76) 4.0 (102)	20.7 (526) 21.7 (551)	15CD 36AH	60	5.5 (2.40) 5.7 (2.48)
ORT2116 ORT2116D	1.426 - 1.520 (36.3 - 38.6)	1590, 1600, 1700	1431 (45/7) (54/19), 1510.5 (45/7) (54/19), 1590 (45/7)	4	3.0 (76) 4.0 (102)	21.6 (549) 22.6 (574)	16CD 38AH	60	6.1 (2.66) 6.3 (2.74)
ORT2117	1.521 - 1.615 (38.7 - 41.0)	1750, 1800, 1900	1590 (54/19) 1780 (84/19), 1869 (68/7)	4	4.0 (102)	23.5 (597)	17CD	60	7.8 (3.40)
ORT2119	1.630 - 1.805 (41.4 - 45.8)	2000, 2250, 2300 —	2034.5 (72/7), 2057 (76/19), 2167 (72/7) 2156 (84/19), 2312 (76/19)	4 4	4.0 (102)	25.4 (645)	19CD 44AH 19CD	100	10.2 (4.43)

NOTE: Install with Fargo type UJC or, for lowest resistance connection, type HTJC inhibitor compound. Tees are suitable for EHV applications on conductors over 1.0 in (25.4 mm) O. D.

(1) These tee taps also approved application on AAAC and ACAR conductors within the diameter ranges listed.

(2) Hex dies not available for some sleeve & conductor combinations. If no AH die listed for conductor, use only the CD die shown.

Tee Connectors

Tee-Taps Compression Cable to Pad — Open Run ACSS Conductors

ALUMINUM

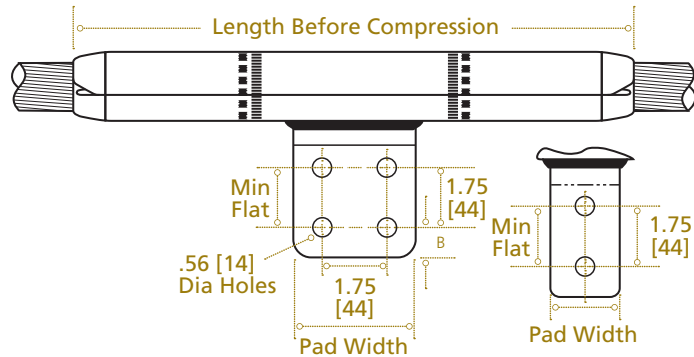
ORT21SSAC

Tee-taps listed below are rated for use on ACSS conductors when installed with Fargo® type HTJC, high-temperature joint compound. Tap pad holes have NEMA spacing.

Material: Body – aluminum alloy
Pad – cast aluminum

IDENTIFICATION:

Conductor Type & Diameter Range
Die Size, Minimum Press Size
Part Number, Date Code



Product Data and Conductor Size

Fargo Catalog Number	Conductor Range		Pad Details		Length Before Compression Inches (mm)	Die Size ⁽¹⁾	Min Press Tons	Net Weight lb (kg)
	Outside Diameter Inches (mm)	ACSS Size Kcmil (Str)	Bolt Holes	Width Inches (mm)				
ORT2107SSAC ORT2107CSSAC	0.595-0.679 (15.1 - 17.2)	266.8 (18/1) (6/7) (26/7)	2 4	2.0 (51) 3.0 (76)	12.7 (323) 13.7 (348)	07CD	12	0.90 (0.41) 0.97 (0.44)
ORT2108SSAC ORT2108CSSAC	0.680-0.765 (17.3 - 19.4)	336.4 (18/1) (26/7) (30/7), 397.5 (18/1)	2 4	2.0 (51) 3.0 (76)	13.5 (343) 14.5 (368)	08CD 76AH	12	1.1 (0.50) 1.2 (0.60)
ORT2109SSAC ORT2109CSSAC	0.766-0.855 (19.5 - 21.7)	397.5 (24/7) (26/7) (30/7), 477 (18/1) (24/7)	2 4	2.0 (51) 3.0 (76)	15.6 (396) 16.6 (422)	09CD	12	1.5 (0.68) 1.6 (0.73)
ORT2110SSAC ORT2110CSSAC	0.856-0.950 (21.7 - 24.1)	477 (26/7) (30/7), 556.5 (18/1) (24/7) (26/7), 636 (18/1) (36/1)	2 4	2.0 (51) 3.0 (76)	16.3 (414) 17.3 (439)	10CD 24AH	60	1.9 (0.86) 2.0 (0.91)
ORT2111SSAC	0.950-1.045 (24.2 - 26.5)	556.5 (30/7), 605 (24/7) (26/7) (30/19), 636 (18/1) (24/7) (26/7) (30/19), 666 (24/7) (26/7), 715.5 (24/7)	4	3.0 (76)	18.1 (459)	11CD	60	2.6 (1.18)
ORT2112SSAC ORT2112DSSAC	1.026-1.131 (26.1 - 28.7)	715.5 (24/7) (26/7) (30/19), 795 (24/7) (26/7) (45/7) (54/7), 900 (45/7)	4	3.0 (76) 4.0 (102)	19.5 (495) 20.5 (521)	12CD	60	3.3 (1.50) 3.5 (1.59)
ORT2113SSAC ORT2113DSSAC	1.140-1.235 (29.0 - 31.4)	795 (30/19)	4	3.0 (76) 4.0 (102)	21.3 (541) 22.3 (566)	13CD 30AH	60	3.9 (1.77) 4.1 (1.86)
		795 (30/19), 900 (54/7), 954 (45/7) (54/7), 1033.5 (36/1) (45/7)				13CD		
ORT2114SSAC ORT2114DSSAC	1.236-1.330 (31.5 - 33.8)	954 (30/19), 1033.5 (54/7), 1113 (45/7) (54/19), 1192.5 (45/7)	4	3.0 (76) 4.0 (102)	22.2 (564) 23.3 (589)	14CD 34AH	60	5.1 (2.31) 5.3 (2.40)
ORT2115SSAC ORT2115DSSAC	1.331-1.425 (33.9 - 36.2)	1192.5 (54/19), 1272 (45/7) (54/19), 1351.5 (45/7) (54/19)	4	3.0 (76) 4.0 (102)	24.0 (610) 25.0 (635)	15CD 36AH	60	5.9 (2.67) 6.1 (2.77)
ORT2116SSAC ORT2116DSSAC	1.426-1.520 (36.3 - 38.6)	1431 (45/7) (54/19), 1510.5 (45/7) (54/19), 1590 (45/7)	4	3.0 (76) 4.0 (102)	25.0 (635) 26.0 (660)	16CD 38AH	60	8.1 (3.67) 8.3 (3.76)
ORT2117SSAC	1.521-1.615 (38.7 - 41.0)	1590 (54/19), 1780 (84/19), 1869 (68/7)	4	4.0 (102)	26.0 (660)	17CD	60	8.5 (3.86)
ORT2119SSAC	1.630-1.805 (41.4 - 45.8)	2034.5 (72/7), 2057 (76/19), 2167 (72/7)	4	4.0 (102)	28.8 (732)	19CD 44AH	100	11.3 (5.13)
		2156 (84/19), 2312 (76/19)				19CD		

NOTE: Install with Fargo type HTJC inhibitor compound. Tees are suitable for EHV applications on conductors over 1.0 in (25.4 mm) O.D.

(1) Hex dies not available for some sleeve and conductor combinations. If no AH die listed for conductor, use only the CD die shown.

Tee Connectors

Tee-Taps Compression Cable to Pad — Open Run ACSS/TW Conductors

ALUMINUM

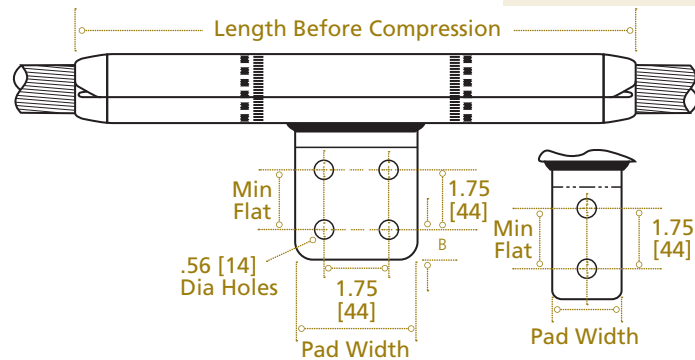
ORT21STW

Tee taps listed below are rated for use on ACSS/TW conductors when installed with Fargo® type HTJC, high-temperature joint compound. Tap pad holes have NEMA spacing.

Material: Body – aluminum alloy
Pad – cast aluminum

IDENTIFICATION:

Conductor Type & Diameter Range
Die Size, Minimum Press Size
Part Number, Date Code



Product Data and Conductor Size

Fargo Catalog Number	ACSS/TW Conductor Range		Pad Details		Length Before Compression Inches (mm)	Die Size ⁽¹⁾	Min Press Size Tons	Net Weight lb (kg)
	Outside Diameter Inches (mm)	Kcmil Size (Type)	Bolt Holes	Width Inches (mm)				
ORT2107STW ORT2107CSTW	0.547-0.611 (13.9 - 15.5)	266.8 (T16)	2 4	2.0 (51) 3.0 (76)	12.7 (323) 13.7 (348)	07CD	12	0.90 (0.41) 0.97 (0.44)
ORT2108STW ORT2108CSTW	0.630-0.695 (16.0 - 17.7)	336.4 (T16 & T23)	2 4	2.0 (51) 3.0 (76)	13.5 (343) 14.5 (368)	08CD 76AH	12	1.1 (0.50) 1.2 (0.60)
ORT2109STW ORT2109CSTW	0.702-0.776 (17.8 - 19.7)	397.5 (T13 & T16), 477 (T13)	2 4	2.0 (51) 3.0 (76)	15.6 (398) 16.6 (422)	09CD	12	1.5 (0.68) 1.6 (0.73)
ORT2110STW ORT2110CSTW	0.789-0.858 (20.0 - 21.8)	477 (T16 & T23), 556.5 (T13 & T16), 565.3 (T16), 571.7 (T13)	2 4	2.0 (51) 3.0 (76)	16.3 (414) 17.3 (439)	10CD 24AH	60	1.9 (0.86) 2.0 (0.91)
ORT2111STW	0.880-0.930 (22.4 - 23.6)	636 (T13 & T16)	4	3.0 (76)	18.1 (459)	11CD	60	2.6 (1.18)
ORT2112STW ORT2112DSTW	0.960-1.010 (24.4 - 25.7)	762.8 (T13 & T16), 795 (T7, T13 & T16)	4	3.0 (76) 4.0 (102)	19.5 (495) 20.5 (521)	12CD	60	3.3 (1.50) 3.5 (1.59)
ORT2113STW ORT2113DSTW	1.046-1.108 (26.6 - 28.1)	795 (T23)	4	3.0 (76) 4.0 (102)	21.3 (541) 22.3 (566)	13CD 30AH	60	3.9 (1.77) 4.1 (1.86)
		795 (T23), 900 (T13), 954 (T7 & T13), 959.6 (T16), 966.2 (T13), 1033.5 (T7)				13CD		
ORT2114STW ORT2114DSTW	1.125-1.196 (28.6 - 30.4)	1033.5 (T13), 1113 (T7 & T13), 1158 (T7), 1158.4 (T13), 1192.5 (T7)	4	3.0 (76) 4.0 (102)	22.2 (564) 23.3 (589)	14CD 34AH	60	5.1 (2.31) 5.3 (2.40)
ORT2115STW ORT2115DSTW	1.212-1.300 (30.8 - 33.0)	1192.5 (T13), 1233.3 (T13), 1272 (T7 & T13), 1351.5 (T7 & T13), 1431 (T7)	4	3.0 (76) 4.0 (102)	24.0 (610) 25.0 (635)	15CD 36AH	60	5.9 (2.67) 6.1 (2.77)
ORT2116STW ORT2116DSTW	1.290-1.382 (32.8 - 35.1)	1431 (T7 & T13), 1433.6 (T13) 1533.3 (T13), 1590 (T7)	4	3.0 (76) 4.0 (102)	25.0 (635) 26.0 (660)	16CD 38AH	60	8.1 (3.67) 8.3 (3.76)
ORT2117STW	1.385-1.504 (35.2 - 37.0)	1590 (T13), 1657.4 (T7), 1949.6 (T7)	4	4.0 (102)	26.0 (660)	17CD	60	8.5 (3.88)
ORT2119STW	1.504-1.608 (38.2 - 40.8)	1926.9 (T13), 1949.6 (T7) 2156 (T8)	4	4.0 (102)	28.8 (732)	19CD 44AH 19CD	100	11.3 (5.13)

NOTE: Install with Fargo type HTJC inhibitor compound. Tees are suitable for EHV applications on conductors over 1.0 in (25.4 mm) O.D.

(1) Hex dies not available for some sleeve and conductor combinations. If no AH die listed for conductor, use only the CD die shown.

Tee Connectors

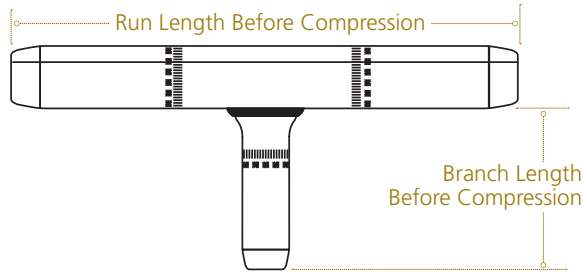
Tee-Taps Compression Cable to Cable — Open Run AAC, Alloy, ACAR and ACSR Conductors

ALUMINUM

ORT22

Tap barrel is prefilled with inhibitor.

Material: Body – aluminum alloy
Tap – extruded aluminum alloy tube



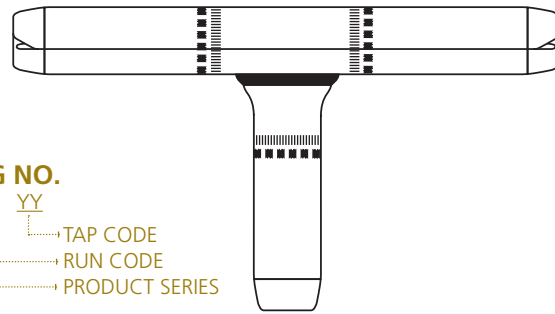
IDENTIFICATION:

RUN

Conductor Type & Diameter Range
Die Size, Minimum Press Size
Part Number, Date Code

TAP

Conductor Diameter Range
Die Size, Minimum Press Size



CATALOG NO.

ORT 22 XX YY

→ TAP CODE

→ RUN CODE

→ PRODUCT SERIES

Product Data and Conductor Size

Outside Diameter Inches (mm)	Conductor Range ⁽¹⁾		Run or Tap Code	Length Before		Die Size	Minimum Press Size Tons	Net Weight lb (kg)
	AAC Size Kcmil	ACSR Size Kcmil (Str)		Run Inches (mm)	Tap Inches (mm)			
0.595 - 0.679 (15.1 - 17.2)	300, 336.4, 350	266.8 (18/1) (6/7) (26/7)	07	10.7 (272)	3.6 (91)	07CD	12	0.51 (0.23)
0.680 - 0.765 (17.3 - 19.4)	350, 397.5, 400	300 (26/7), 336.4 (18/1) (26/7) (30/7), 395.5 (18/1)	08	12.3 (311)	4.1 (105)	08CD 76AH	12	0.76 (0.34)
0.766 - 0.855 (19.5 - 21.7)	450, 477, 500, 550	397.5 (24/7) (26/7) (30/7), 477 (18/1) (24/7)	09	13.8 (350)	4.6 (118)	09CD	12	1.10 (0.49)
0.856 - 0.950 (21.7 - 24.1)	556.5, 600, 636, 650	477 (26/7) (30/7), 556.5 (18/1) (24/7) (26/7) 636 (18/1) (36/1)	10	14.3 (363)	5.2 (131)	10CD 24AH	60	1.40 (0.63)
0.950 - 1.045 (24.2 - 26.5)	700, 715, 750	556.5 (30/7), 605 (24/7) (26/7) (30/19) 636 (24/7) (26/7) (30/19) 666 (24/7) (26/7) 715.5 (24/7)	11	15.7 (400)	5.7 (144)	11CD	60	1.90 (0.86)
1.026 - 1.131 (26.1 - 28.7)	795, 800, 874.5, 900, 954	715.5 (26/7) (30/19), 795 (24/7) (26/7) (45/7) 795 (54/7) 795 (36/1) 900 (45/7)	12	17.2 (436)	6.2 (157)	12CD	60	2.40 (1.09)
1.140 - 1.235 (29.0 - 31.4)	1000, 1033.5	795.5 (30/19)	13	18.6 (473)	6.7 (170)	13CD 30AH	60	3.00 (1.36)
	1100, 1113	795.5 (30/19), 900 (54/7), 954 (45/7) (54/7) 1033.5 (36/1) (45/7)				13CD		
1.236 - 1.330 (31.5 - 33.8)	1192.5, 1200, 1250, 1272, 1300	954 (30/19), 1113 (45/7) (54/19), 1192.5 (45/7), 1272 (36/1)	14	20.1 (509)	7.2 (183)	14CD 34AH	60	3.80 (1.73)

Tee Connectors

Product Data and Conductor Size (continued)

Conductor Range ⁽¹⁾			Run or Tap Code	Length Before		Die Size	Minimum Press Size Tons	Net Weight lb (kg)
Outside Diameter Inches (mm)	AAC Size Kcmil	ACSR Size Kcmil (Str)		Run Inches (mm)	Tap Inches (mm)			
1.331 - 1.425 (33.9 - 36.2)	1351.5, 1400, 1431, 1500, 1510.5	1192.5 (54/19), 1272 (45/7) (54/19), 1351.5 (45/7) (54/19)	15	21.5 (546)	7.7 (197)	15CD 36AH	60	4.70 (2.14)
1.426 - 1.520	1590, 1600, 1700	1431 (45/7) (54/19), 1510.5 (45/7) (54/19), 1590 (45/7)	16	21.3 (541)	8.2 (210)	16CD 38AH	60	5.30 (2.41)
1.521 - 1.615	1750, 1800, 1900	1590 (54/19), 1780	17	22.6 (575)	8.8 (223)	17CD 40AH	60	6.30 (2.86)
1.630 - 1.805	2000, 2250, 2300	2034.5 (72/7), 2057 (76/19) 2167 (72/7)	19	25.3 (643)	9.8 (249)	19CD 44AH	100	8.90 (4.04)
	—	2156 (84/19), 2312 (76/19)				19CD		

NOTE: Standard Hex dies not available for some sleeve and conductor combinations. If no AH die listed for conductor, use only the CD die shown. Install with Fargo® type UJC or, for lowest resistance connection, type HTJC inhibitor compound. Tees are suitable for EHV applications on conductors larger than 1.0 in O.D. Example: ORT221211 would be the catalog number for a ACSR 795 (26/7) Run with an ACSR 636 (24/7) Tap.

(1) These tee taps also approved application on AAAC and ACAR conductors within the diameter ranges listed.



Joint Compound/Inhibitor

expertise

Joint Compound/Inhibitor Index

Joint Compound

HTJC	Joint Compound/Inhibitor.....	F-1
------------	-------------------------------	-----

Joint Compound/Inhibitor

Distribution/ Transmission/Substation Electrical Joint Compound

HTJC

Anderson®/Fargo® Versa-Seal® High-Temperature Joint Compound (HTJC) is a synthetic-based, gritted, high-temperature compound developed for use on two-piece compression fittings on ACSS conductors rated 250° C.

HTJC employs conductive grit and thermally conductive filler to reduce connection resistance and allows connectors operate at cooler temperatures.

This electrically and thermally conductive compound is also ideal for use on standard aluminum conductor (AAC and ACSR) fittings including Fargo® Uni-Grip® deadends, splices and terminals.

HTJC fills internal voids in compression and bolted joints, sealing out moisture. HTJC is also an excellent choice for pad-to-pad applications as the grit is very fine and conductive.

See Application Guide on next page for more information.

See joint compound requirements by conventional compression fitting type in table below.



Fargo Hi-Temperature Joint Compound (HTJC) Amount Required (Pounds Per Fitting)

Catalog Series	Fitting Type	Aluminum (AH) Die Size													
		74	75	76	20	24	27	30	34	36	38	40	42	44	48
10	FT Splice Body ACSR/ACSS/STW	0.04	0.06	0.10	0.20	0.32	0.44	0.60	0.94	0.98	1.10	1.10	1.40	1.52	1.62
12 / 15	Sgl/DbI DE Body ACSR/ACSS/STW	0.03	0.05	0.08	0.15	0.24	0.34	0.50	0.56	0.62	0.82	0.90	1.10	1.20	1.32
20	FT Splice Body AAC	0.04	0.06	0.08	0.09	0.14	0.20	0.33	0.42	0.54	0.60	0.72	0.85	1.20	1.32
21 / 24	Sgl/DbI DE Body AAC	0.03	0.04	0.05	0.06	0.07	0.11	0.16	0.22	0.26	0.28	0.38	0.47	0.56	0.70
30 / 33	15/10 Degree Terminals	0.03	0.03	0.03	0.04	0.06	0.07	0.10	0.14	0.16	0.18	0.22	0.25	0.30	0.34
40	Loop Splice AAC/ACSR/ACSS	0.04	0.05	0.06	0.08	0.10	0.13	0.20	0.26	0.30	0.35	0.40	0.54	0.68	0.79

NOTE: Fargo synthetic based, HTJC is required with ACSS conductor fittings. HTJC compound is also recommended for lowest resistance connections on standard aluminum conductor fittings.

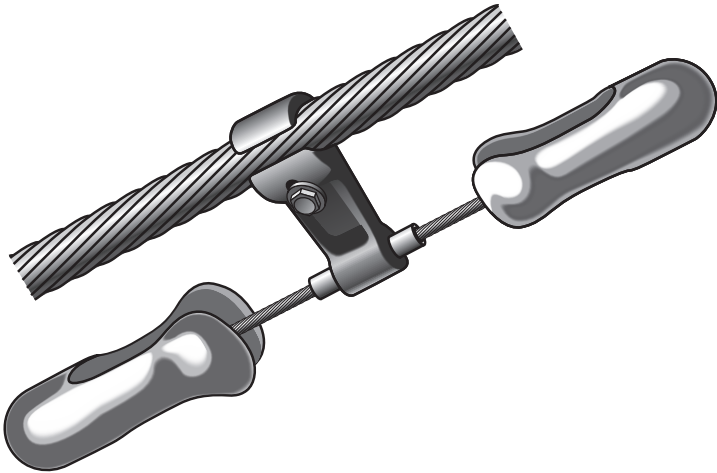
Joint Compound/Inhibitor

APPLICATION GUIDE

Catalog Number	Trade Name	Desc Size	Service Temp	To Be Used On			Base Oil		Grit Type			Color	
				Compression	Groove/Bolted	Pad	Synth/Veg	Petrol	Fine Conduct	Non Conduct	Non Gritted		
VS8HTJC	ANDERSON™	8 oz Plastic Bottle	-40°F to +480°F (-40°C to 250°C)	●	●	●	●		●			GRAY	
HTJC16	FARGO®	1 lb Caulk Tube		●	●	●	●		●			GRAY	
UJC8	FARGO	8 oz Plastic Bottle		●				●		●		TAN	
UJC16	FARGO	1 lb Caulk Tube		●				●		●		TAN	
GF138	FARGOLENE®	8 oz Plastic Bottle			●	●	●				●	GREEN	
GF131	FARGOLENE	1 lb Can			●	●	●				●	GREEN	
GF178	FARGOLENE	8 oz Plastic Bottle			●	●	●				●	GRAY	
GF171	FARGOLENE	1 lb Can			●	●	●				●	GRAY	
GF198	FARGOLENE	8 oz Plastic Bottle		●	●		●			●		GRAY	
GF191	FARGOLENE	1 lb Can		●	●		●			●		GRAY	
M19203	CHANCE® ZLN-100	8 oz Plastic Bottle		●	●					●		GRAY/BROWN	
M19204	CHANCE ZLN-100	4 oz Plastic Bottle		●	●			●		●		GRAY/BROWN	
M19205	CHANCE ZLN-200	8 oz Plastic Bottle		-40°F to +300°F (-40°C to 149°C)	●	●		●			●		GRAY/BROWN
M19206	CHANCE ZLN-200	4 oz Plastic Bottle			●	●		●			●		GRAY/BROWN
VS8B	ANDERSON VERSA-SEAL®	8 oz Plastic Bottle				●	●	●				●	YELLOW
VSG8B	ANDERSON VERSA-SEAL	8 oz Plastic Bottle			●			●			●		BLUE
ING4	ANDERSON INHIBOX	4 oz Plastic Bottle				●	●				●	GRAY	
ING8	ANDERSON INHIBOX	8 oz Plastic Bottle			●	●				●	GRAY		
INGQC	ANDERSON INHIBOX	1 qt Can			●	●				●	GRAY		
INGGC	ANDERSON INHIBOX	1 gal Can			●	●				●	GRAY		
I4	ANDERSON INHIBOX 220	4 oz Plastic Bottle	●	●		●				●	GRAY		
I8	ANDERSON INHIBOX 220	8 oz Plastic Bottle	●	●		●				●	GRAY		
IGC	ANDERSON INHIBOX 220	1 gal Can	●	●		●				●	GRAY		

NOTE: All compounds have a greater than 500° F (260° C) withstand temperature.

Conductor Protection



results

Conductor Protection Index

Dampers

607..... Vibration Damper 4R Stockbridge.....G-1

Armor Rods

AP8..... Aluminum Armor Rods.....G-6

APGS..... Galvanized Steel Armor RodsG-8

APAS..... Aluminum-Clad Steel Armor Rods.....G-9

Line Guards

PL5..... Aluminum Line Guards.....G-10

Protector Rods

PR5 Aluminum Protector Rods.....G-12

Cross Reference

Armor Rods, Line Guards & Protector Rods.....G-13

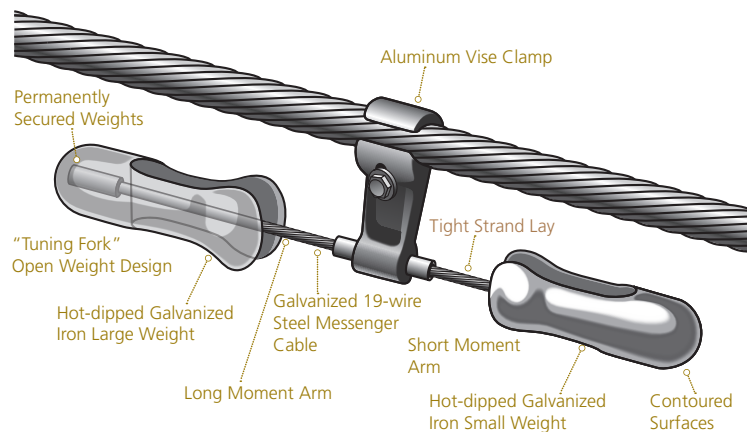
Dampers

Vibration Damper 4R Stockbridge

Fargo® 4-R vibration dampers effectively prevent fatigue damage to conductor and static wires caused by wind-induced aeolian vibration.

The 4-R concept improves on the design of the basic Stockbridge damper, significantly increasing the efficiency of converting wind-induced energy into heat. The improved design employs unequal weights on messengers of unequal length. This configuration doubles the number of resonant peaks from two generated by the old-style Stockbridge damper to four in the improved Fargo 4-R. These additional resonant peaks create an envelope of dynamic response that protects the conductor through the entire range of dangerous vibration frequencies.

To assure maximum performance, Fargo utilizes a sophisticated computer simulation whose development has been verified by decades of testing and field measurements. This computer model identifies the optimum damper placement on the span.



Fargo 4-R Vibration Damper System Provides You...

Maximum Protection From Wind-Induced Conductor Bending Strain

The four-resonant peaks include two separate cantilever response modes and two separate rotational response modes of the weight and messenger cable. These peaks also provide maximum energy dissipation to reduce strain over the entire spectrum of dangerous wind velocities.

- Wide frequency response range optimizes protection of your system
- Large 19 strand wire and tight strand lay dissipate energy more efficiently
- Press fit permanent weight attachment technique assures long-term performance
- Contoured surfaces prevent corona discharge

Comprehensive Application Program for Optimum Performance

Provides precise selection and placement through our proprietary computer simulation

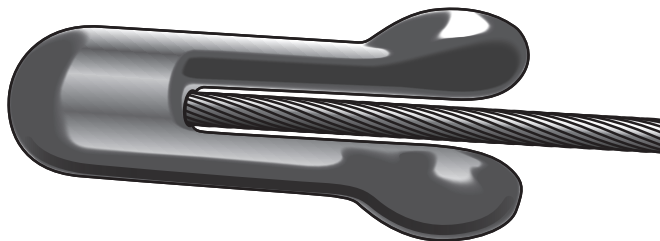
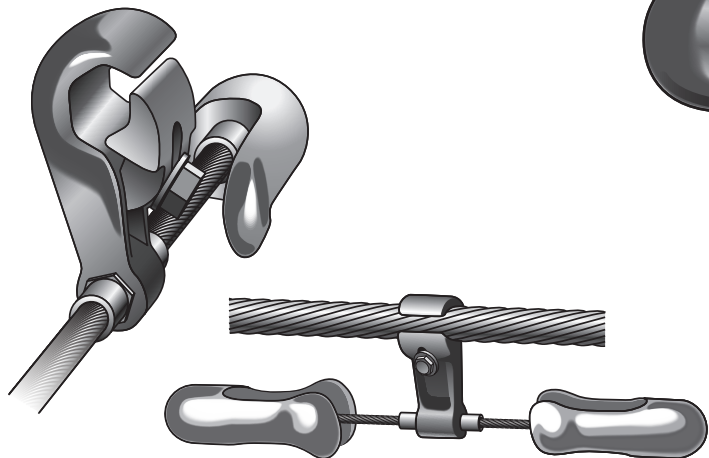
- Computer program based on a mathematical model verified by decades of laboratory testing and field vibration measurements
- Precisely identifies the vibration performance characteristics of transmission lines
- Determines dangerous tension levels for existing or proposed spans
- Identifies the frequency range, tension level and span lengths requiring damper protection
- Identifies proper damper placement for required vibration energy dissipation
- Results of the above analysis for conductors and shield wires are available online at: <http://hpsapps.com/damper2>
Fargo 4-R Damper Application Software
- See the Reference Materials section of this catalog for a detailed program description.

Dampers

Vibration Damper 4R Stockbridge

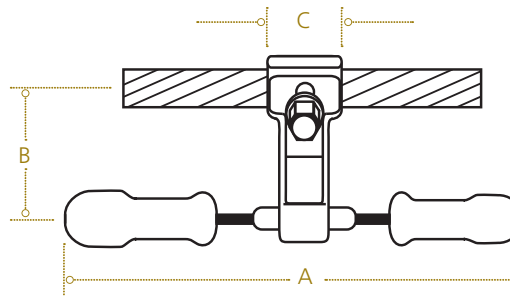
Messenger Cable: Materials and stranding are selected to obtain the best energy absorption characteristics. The galvanized steel messenger is manufactured to rigid engineering standards.

Fargo® 4-R vibration dampers effectively prevent fatigue damage to conductor and static wires caused by wind-induced aeolian vibration.



Weights: Uniquely shaped so that the resonant peaks are effectively distributed over the desired frequency range. All weights are given a corrosion-resistant finish and have smooth surfaces and rounded edges to eliminate possible corona discharge.

Clamp: The bolted clamp permits easy installation on a wide range of conductor sizes. Aluminum clamping bolt ensures that damper clamp remains tight as conductor temperature changes with current load cycling.



Product Data

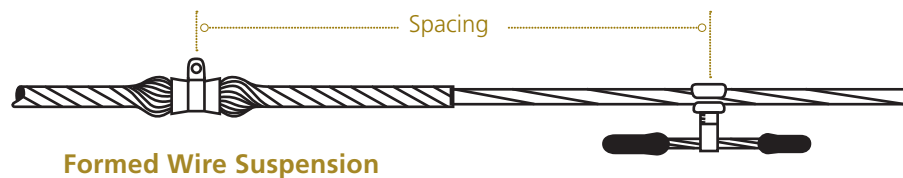
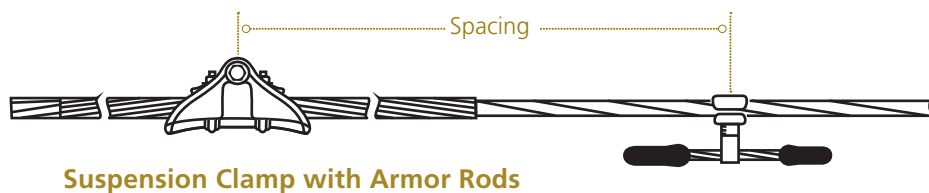
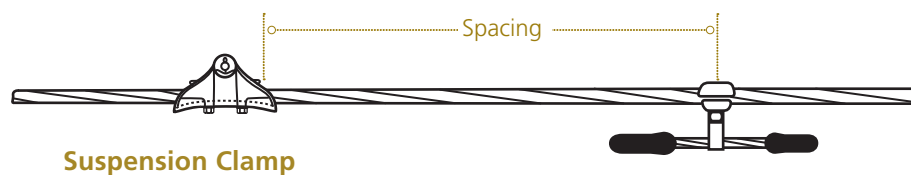
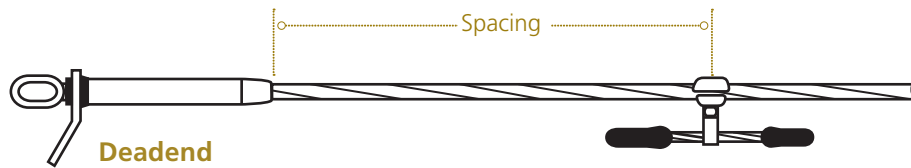
Damper Catalog Number ⁽¹⁾	Bare Conductor/Cable Diameter Range ⁽²⁾ in. (mm)	Conductor/Cable Dia. Over Armor Rods Range ⁽²⁾ in. (mm)	Clamp Bolt Torque ft-lb	Dimensions - inches (mm)			Weight Each lb (kg)	Std Pkg Qty
				A	B	C		
607048	0.270 - 0.438 (6.86 - 11.1)	-	20	11.1 (282)	2.38 (60)	1.75 (44)	2.8 (1.3)	10
607051011	0.439 - 0.858 (11.2 - 21.9)	0.524 - 0.865 (13.3 - 22.0)	25	16.1 (409)	2.69 (68)	1.75 (44)	4.8 (2.2)	6
6070512	-	0.710 - 1.170 (18.0 - 29.7)	25	16.1 (409)	2.91 (74)	2.26 (57)	5.0 (2.3)	6
6071012	0.859 - 1.130 (21.8 - 28.7)	-	25	20.0 (508)	2.91 (74)	2.26 (57)	9.0 (4.1)	6
6071018	-	1.170 - 1.755 (29.7 - 44.6)	40	20.0 (508)	3.20 (81)	2.26 (57)	9.4 (4.3)	6
6071513	1.131 - 1.425 (28.7 - 36.2)	-	25	21.9 (556)	3.78 (96)	2.82 (72)	15.7 (7.1)	4
6071523	-	1.640 - 2.300 (41.7 - 58.4)	40	21.9 (556)	4.20 (107)	2.82 (72)	16.0 (7.3)	3
6072014	1.426 - 1.821 (36.2 - 46.3)	-	40	24.0 (610)	5.92 (150)	3.54 (90)	22.0 (10)	3
6072025	-	1.940 - 2.560 (49.3 - 65.0)	40	24.0 (610)	6.30 (160)	3.54 (90)	22.5 (10.2)	3

(1) To specify Torque Head/Break Away bolt option, add suffix "O" to catalog number.

(2) Recommended conductor/cable size range limits. Physical clamp range may be slightly larger.

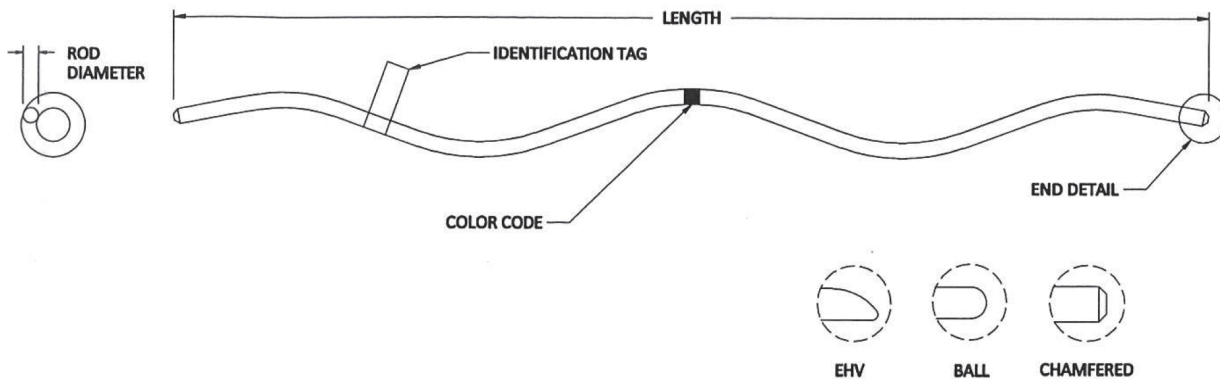
Dampers

4-R Damper Installation Instructions



NOTE: Dampers shall be located from the center of the damper clamp to either the dead end or the suspension support as shown above. The orientation of the damper weights along the conductor is optional. For convenience, orient the damper such that the clamp bolt head faces the installer. When only one damper is required per conductor per span, it can be installed at either span extremity when the support hardware is identical. When support hardware differs, place the damper at the suspension structure. When two dampers are required per conductor per span, the preferred placement is one at each span extremity.

Armor Rods & Line Guards



Industry Competitive

- Price, quality & lead time
- Look, feel & function
- ACSR/ACSS; ACSR/ACSS TW; AAC, AAAC; ACAR

Production

- EHV rated, made to order
- Inventory available for popular sizes
- Sample orders welcomed

Product Specs

- Aluminum Alloy
- Right Hand Lay
- Ball Ends ≥ 0.250 "
- Chamfered Ends < 0.250 "
- Add "E" Suffix for EHV Rod End
- Add "D" Prefix for Double Supported Length (For rod diameters < 0.25 " only)



Armor Rods & Line Guards

Materials:

Rods – manufactured from either aluminum covered steel, aluminum alloy or galvanized steel

Color code and center mark – establishes alignment of rods during application and identifies conductor size

Identification tag – identifies catalog number and conductor details



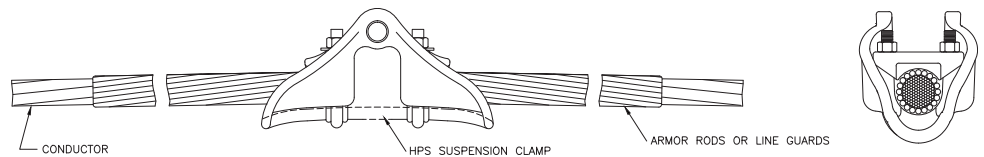
Industry Knowledge:

Armor Rods and Line Guards have overlapping purpose – to protect conductors from fatigue-damage by providing a stiffening support for suspended conductors. They also protect from abrasion-damage at attachment points by providing a buffer between the conductor and the clamping connector. They are both made up of sets of individual rods of the same diameter. When installed, the set of individual rods grip rigidly onto their respective conductors. Once each rod of the respective set has been installed, the set should evenly enclose the conductor along the length of the rods.

Physically, the line guard sets are shorter in length and the individual rods are smaller in diameter. The application for line guards is typically found on light transmission lines with shorter spans, smaller conductor sizes and lower voltages. Armor Rods are recommended for applications where the conductor is clamped or suspended with bolted type connectors.

Product Offerings:*

- Aluminum Armor Rods
- Aluminum Line Guards
- Aluminum Protector Rods
- Galvanized Steel Rods
- Alumo-Weld® Steel Rods



- EHV @ 250° C for respective suspension clamp & conductor application*
- Application O.D. = (Rod O.D. X 2) + Conductor O.D.

General Recommendations

Armor Rods

1. Fargo® Armor Rods are intended to protect conductors from stress and damage which can be caused by a bend, compression, abrasion or arc over. They are also designed to repair conductors which have sustained < 50% outer strand damage.*
2. Armor Rods should be considered as minimum protection for clamp style supports or suspension hardware for spans > 300 feet.
3. Armor Rods are designed to provide an extra degree of protection to the conductor at support points, **not act as vibration dampers**. In areas where vibration is suspected or known to occur, the use of Fargo® 4-R Dampers is recommended.

Line Guards

1. Fargo® Line Guards are intended to provide an extra degree of protection for the conductor against abrasion and arc over. They are also designed to repair conductors which have sustained < 25% outer strand damage.*
2. Line Guards should be considered as minimum protection for hand-tied spans ≤ 300 feet in urban areas with no history of vibration.
3. Line Guards should be considered as a cost saving alternate to Armor Rods when applicable. Note: HPS Distribution Ties are recommended as an improvement over Line Guards and hand ties, providing a stronger and more uniform tie.

*The degree of protection required is dependent upon line design, tension, temperature, and wind conditions. Contact HPS Connectors Business Unit for specific recommendations.

Conductor Protection — Armor Rods

For use on stranded aluminum and aluminum composite conductors, including high-temperature conductor designs.⁽⁴⁾

Material: *aluminum alloy*



ALUMINUM

AP8

Product Data and Conductor Size

Catalog Number	Conductor Dia. Range In. (mm)		Nominal Conductor Size (AWG or KCMIL)		Applied Length (in.)	Rod Dia. (in.)	Rods Per Set	Sets Per Carton	Wt. Per Carton (lbs.)	Color Code
	Min.	Max.	ACSR/ACSS	AAC, AAAC						
AP8114 DAP8114	0.309 (7.8)	0.326 (8.3)	#2 (6/1)		44 56(D)	0.136	9	50	32 40	Red
AP8115 DAP8115	0.327 (8.3)	0.346 (8.8)		#1	46 58(D)	0.146	9	50	38 46	Blue
AP8116 DAP8116	0.347 (8.8)	0.366 (9.3)	#1 (6/1)		48 60(D)	0.146	9	50	40 49	Green
AP8117 DAP8117	0.367 (9.3)	0.389 (9.9)		1/0	50 62(D)	0.146	10	50	45 55	Black
AP8118 DAP8118	0.390 (9.9)	0.413 (10.5)	1/0 (6/1)		52 64(D)	0.167	9	50	55 67	Yellow
AP8119 DA08119	0.414 (10.5)	0.436 (11.1)		2/0	52 64(D)	0.146	10	50	48 58	Brown
AP8120 DAP8120	0.437 (11.1)	0.463 (11.8)	2/0 (6/1)		54 66(D)	0.167	10	50	64 76	Blue
AP8121 DAP8121	0.464 (11.8)	0.490 (12.4)		3/0	54 66(D)	0.167	10	50	64 76	Green
AP8122 DAP8122	0.491 (12.5)	0.521 (13.2)	3/0 (6/1)		56 68(D)	0.167	11	25	37 46	Orange
AP8123 DAP8123	0.522 (13.3)	0.551 (14.0)		4/0	58 70(D)	0.167	11	25	38 46	Black
AP8124 DAP8124	0.552 (14.0)	0.585 (14.9)	4/0 (6/1)	250	60 72(D)	0.182	11	25	46 55	Red
AP8125 DAP8125	0.586 (14.9)	0.606 (15.4)		266.8	62 74(D)	0.182	12	25	52 61	Black
AP8126 DAP8126	0.607 (15.4)	0.630 (16.0)	266.8 (18/1)		64 76(D)	0.182	12	25	54 63	Purple
AP8127 DAP8127	0.631 (16.0)	0.655 (16.6)	266.8 (26/7)		64 76(D)	0.182	12	25	54 63	Yellow
AP8128 DAP8128	0.656 (16.7)	0.679 (17.2)		336.4	66 78(D)	0.182	13	18	43 51	Brown
AP8129 DAP8129	0.680 (17.3)	0.703 (17.9)	336.4 (18/1)		68 80(D)	0.204	12	18	52 60	Blue
AP8130 DAP8130	0.704 (17.9)	0.740 (18.8)	336.4 (26/7)	397.5	72 84(D)	0.204	12	18	54 64	Green
AP8131	0.741 (18.8)	0.782 (19.9)	397.5 (18/1)		72	0.204	13	18	59	Orange
AP8132	0.783 (19.9)	0.814 (20.7)	397.5 (26/7)	477, 500	76	0.250	11	15	66	Purple
AP8133	0.815 (20.7)	0.845 (21.5)			76	0.250	11	15	66	Red
AP8134	0.846 (21.5)	0.907 (23.0)	477 (26/7)	556.5	78	0.250	12	15	74	Blue
AP8135	0.908 (23.1)	0.929 (23.6)	556.5 (26/7)	636	80	0.250	13	12	66	Green
AP8136	0.930 (23.6)	0.976 (24.8)	556.5 (30/7) 605 (26/7)	715.5	88	0.250	13	12	72	White

NOTES:

- (1) Right-hand lay standard.
- (2) For aluminum conductor types & sizes not listed above, select rod set based on dia. range to accommodate conductor.
- (3) Applied O.D. of conductor with rods, for suspension clamp selection, equals conductor diameter plus two times rod dia.
- (4) Maximum conductor temperature limits vary with suspension clamp designs. See catalog Reference Data section for guidelines.

Conductor Protection — Armor Rods

For use on stranded aluminum and aluminum-composite conductors, including high-temperature conductor designs.(4)

For EHV applications, add suffix "E" to catalog numbers to Specify. Example AP8146E



ALUMINUM

AP8

Material: *aluminum alloy*

Product Data and Conductor Size

Catalog Number	Conductor Dia. Range In. (mm)		Nominal Conductor Size (AWG or KCMIL)		Applied Length (in.)	Rod Dia. (in.)	Rods Per Set	Sets Per Carton	Wt. Per Carton (lbs.)	Color Code
	Min.	Max.	ACSR/ACSS	AAC, AAAC						
AP8137	0.977 (24.8)	1.016 (25.8)	636 (24/7) (26/7) 666 (24/7) (26/7)	750	92	0.310	11	9	50	Yellow
AP8138	1.017 (25.8)	1.035 (26.3)	636.0 (30/19)	795	94	0.310	12	6	55	Brown
AP8139	1.036 (26.3)	1.064 (27.0)	715.5 (26/7) 795 (45/7)		96	0.310	12	6	56	Blue
AP8140	1.065 (27.1)	1.098 (27.9)	795 (24/7)	900	96	0.310	12	6	56	Green
AP8141	1.099 (27.9)	1.139 (28.9)	795 (26/7)	954	100	0.310	12	6	62	Orange
AP8142	1.140 (29.0)	1.161 (29.5)	954 (36/1)	1000	100	0.310	13	6	63	Purple
AP8143	1.162 (29.5)	1.208 (30.7)	954 (45/7) (54/7) 1033.5 (45/7)		100	0.310	13	6	69	Red
AP8144	1.209 (30.7)	1.269 (32.2)	1033.5 (54/7) 1113 (45/7)	1113	100	0.365	12	6	81	Black
AP8145	1.270 (32.3)	1.327 (33.7)	1113 (54/19) 1192.5 (45/7)	1272	100	0.365	12	6	81	White
AP8146	1.328 (33.7)	1.390 (35.3)	1192.5 (54/19) 1272.45/7 (54/19) 1351.5 (45/7)	1351.5 1431	100	0.365	13	3	45	Yellow
AP8147	1.391 (35.3)	1.440 (36.6)	1351.5 (54/19) 1434 (45/7)	1500	100	0.436	11	3	54	Brown
AP8163	1.441 (36.6)	1.508 (38.3)	1590 (45/7)	1590	100	0.436	12	3	58	Blue
AP8164	1.509 (38.3)	1.578 (40.1)	1590 (54/19)	1750	100	0.436	12	3	58	Green
AP8165	1.579 (40.1)	1.651 (41.9)	1780 (84/19)	2000	100	0.436	13	3	60	Orange
AP8166	1.652 (42.0)	1.728 (43.9)	2034.5 (72/7)		100	0.436	13	3	60	Purple
AP8167	1.729 (43.9)	1.809 (45.9)	2167 (72/7) 2156 (84/19)	2300	100	0.436	14	3	64	Red
AP8168	1.810 (46.0)	1.898 (48.2)	2515 (76/19)	2500	100	0.436	14	3	64	Black

NOTES:

- (1) Right-hand lay standard.
- (2) For aluminum conductor types & sizes not listed above, select rod set based on dia. range to accommodate conductor.
- (3) Applied O.D. of conductor with rods, for suspension clamp selection, equals conductor diameter plus two times rod dia.
- (4) Maximum conductor temperature limits vary with suspension clamp designs. See catalog Reference Data section for guidelines.

Conductor Protection — Armor Rods

For use on galvanized, stranded-steel cables with lefthand lay. Typical application is on transmission line overhead shield wires.

STEEL

APGS

Material: *galvanized steel*

Product Data

Catalog Number	Cable Dia. Range In. (mm)		Nominal Cable Diameter (in.)	Applied Length (in.)	Rod Dia. (in.)	Rods Per Set	Sets Per Carton	Wt. Per Carton (lbs.)	Color Code
	Min.	Max.							
APGS0516	0.309 (7.8)	0.326 (8.3)	5/16	44	0.100	11	50	60	Black
APGS0038	0.347 (8.8)	0.373 (9.5)	3/8	48	0.100	12	50	70	Orange
APGS0716	0.414 (10.5)	0.436 (11.1)	7/16	52	0.119	12	20	52	Green
APGS0050	0.491 (12.5)	0.521 (13.2)	1/2	56	0.138	12	20	62	Blue

NOTES:

- (1) Left-hand lay standard.
- (2) Applied O.D. of conductor with rods, for suspension clamp selection, equals conductor diameter plus two times rod dia.
- (3) Galvanized steel armor rods may be suitable for application on other cable types, Consult factory for specific information.

Conductor Protection — *Armor Rods*

For use on Alumoweld® (aluminum-clad, stranded-steel) cables with left-hand lay. Typical application is on transmission line overhead shield wires.

STEEL

APAS

Material: *aluminum-clad steel*

Product Data

Catalog Number	Cable Dia. Range In. (mm)		NOMINAL CABLE SIZE INCHES, AWG-STR M(UTS kLB)	Applied Length (in.)	Rod Dia. (in.)	Rods Per Set	Sets Per Carton	Wt. Per Carton (lbs.)	Color Code
	Min.	Max.							
APAS0710 DAPAS0710	0.296 (7.5)	0.314 (8.0)	5/16", 7#10, 3#7, 10M	46 58(D)	0.114	9	25	30 37	Black
APAS0079 DAPAS0079	0.334 (8.5)	0.352 (8.9)	7#9, 3#6, 12.5M	50 62(D)	0.114	10	25	35 44	Yellow
APAS0078 DAPAS0078	0.373 (9.5)	0.392 (10.0)	3/8", 7#8, 3#5, 16M	50 62(D)	0.128	10	25	44 54	Orange
APAS018M DAPAS018M	0.409 (10.4)	0.425 (10.8)	18M	54 66(D)	0.128	11	25	51 62	Black
APAS0077 DAPAS0077	0.426 (10.8)	0.450 (11.4)	7/16", 7#7, 20M	56 68(D)	0.128	12	25	58 70	Green
APAS0076 DAPAS0076	0.477 (12.1)	0.504 (12.8)	1/2", 7#6	56 68(D)	0.144	11	20	54 65	Blue
APAS0075 DAPAS0075	0.535 (13.6)	0.565 (14.4)	9/16", 7#5	60 72(D)	0.162	12	10	40 48	Yellow

NOTES:

- (1) Left-hand lay standard.
- (2) Applied O.D. of conductor with rods, for suspension clamp selection, equals conductor diameter plus two times rod dia.
- (3) Alumoweld is a registered trademark of the Copperweld Co.

Conductor Protection — Line Guards

For use on stranded aluminum and aluminum composite conductors, including high-temperature conductor designs.⁽⁴⁾

ALUMINUM

PL5

Material: aluminum alloy

Product Data and Conductor Size

Catalog Number	Conductor Dia. Range In. (mm)		Nominal Conductor Size (AWG or KCMIL)		Applied Length (in.)	Rod Dia. (in.)	Rods Per Set	Sets Per Carton	Wt. Per Carton (lbs.)	Color Code
	Min.	Max.	ACSR/ACSS	AAC, AAAC						
PL5130 DPL5130	0.290 (7.4)	0.308 (7.8)		#2	21 33(D)	0.121	9	100	25 38	Purple
PL5131 DPL5131	0.309 (7.8)	0.326 (8.3)	#2 (6/1)	#2	21 33(D)	0.121	9	100	25 38	Red
PL5132 DPL5132	0.327 (8.3)	0.346 (8.8)		#1	21 33(D)	0.121	10	100	28 42	Blue
PL5133 DPL5133	0.347 (8.8)	0.366 (9.3)	#1 (6/1)		23 35(D)	0.121	10	100	30 44	Green
PL5134 DPL5134	0.367 (9.3)	0.389 (9.9)	1/0	1/0	23 35(D)	0.121	11	100	32 46	Black
PL5135 DPL5135	0.390 (9.9)	0.413 (10.5)	1/0 (6/1)	1/0	25 37(D)	0.121	10	100	35 50	Yellow
PL5136 DPL5136	0.414 (10.5)	0.436 (11.1)		2/0	25 37(D)	0.121	12	50	20 29	Brown
PL5137 DPL5137	0.437 (11.1)	0.463 (11.8)	2/0 (6/1)		27 39(D)	0.121	13	50	23 32	Blue
PL5138 DPL5138	0.464 (11.8)	0.490 (12.4)		3/0	27 39(D)	0.121	13	50	24 32	Green
PL5139 DPL5139	0.491 (12.5)	0.521 (13.2)	3/0 (6/1)	195.7	29 41(D)	0.121	14	50	26 36	Orange
PL5140 DPL5140	0.522 (13.3)	0.551 (14.0)		4/0	29 41(D)	0.121	14	50	26 36	Black
PL5141 DPL5141	0.552 (14.0)	0.585 (14.9)	4/0 (6/1)	250	31 43(D)	0.121	15	50	30 40	Red
PL5142 DPL5142	0.586 (14.9)	0.606 (15.4)		266.8	31 43(D)	0.146	14	50	40 54	Black
PL5143 DPL5143	0.607 (15.4)	0.630 (16.0)	266.8 (18/1)	300	33 45(D)	0.146	14	50	42 57	White
PL5144 DPL5144	0.631 (16.0)	0.655 (16.6)	266.8 (26/7)	312.8	33 45(D)	0.146	14	50	42 57	Yellow
PL5145 DPL5145	0.656 (16.7)	0.679 (17.2)		336.4	35 47(D)	0.146	15	50	48 62	Brown
PL5146 DPL5146	0.680 (17.3)	0.703 (17.9)	336.4 (18/1)	350	35 47(D)	0.146	15	50	48 62	Blue
PL5147 DPL5147	0.704 (17.9)	0.740 (18.8)	336.4 (26/7)	397.5	37 49(D)	0.146	16	50	54 70	Green
PL5148 DPL5148	0.741 (18.8)	0.782 (19.9)	397.5 (18/1) (26/7)	477	39 51(D)	0.146	17	50	60 77	Orange
PL5149 DPL5149	0.793 (20.1)	0.840 (21.3)	397.5 (30/7) 477 (18/1)	500	39 51(D)	0.146	18	50	64 82	Purple
PL5150 DPL5150	0.841 (21.4)	0.898 (22.8)	477 (26/7) (30/7)	556.5, 600	41 53(D)	0.146	19	25	41 53	Blue
PL5151 DPL5151	0.899 (22.8)	0.954 (24.2)	556.5 (26/7) (30/7) 636 (18/1)	636	43 55(D)	0.167	18	25	46 58	Green

NOTES:

- (1) Right-hand lay standard.
- (2) For aluminum conductor types & sizes not listed above, select rod set based on dia. range to accommodate conductor.
- (3) Applied O.D. of conductor with rods, for suspension clamp selection, equals conductor diameter plus two times rod dia.
- (4) Maximum conductor temperature limits vary with suspension clamp designs. See catalog Reference Data section for guidelines.

Conductor Protection — Line Guards

Line Guards for conductors 1.0 inch diameter or larger are available for EHV application. Add suffix "E" to catalog number to specify. Example PL5155E

ALUMINUM

PL5

Product Data and Conductor Size (continued)

Catalog Number	Conductor Dia. Range In. (mm)		Nominal Conductor Size (AWG or KCMIL)		Applied Length (in.)	Rod Dia. (in.)	Rods Per Set	Sets Per Carton	Wt. Per Carton (lbs.)	Color Code
	Min.	Max.	ACSR/ACSS	AAC, AAAC						
PL5152 DPL5152	0.955 (24.3)	0.986 (25.0)	605 (26/7) 636 (24/7)	715.5	45 57(D)	0.182	17	25	54 68	White
PL5153 DPL5153	0.987 (25.1)	1.016 (25.8)	636 (26/7) 666 (24/7) (26/7)	750	45 57(D)	0.182	18	25	58 72	Yellow
PL5154 DPL5154	1.017 (25.8)	1.064 (27.0)	636 (30/19) 715 (26/7) 795 (45/7)	795	47 59(D)	0.182	18	25	60 74	Brown
PL5155 DPL5155	1.065 (27.1)	1.098 (27.9)	715.5 (30/19) 795 (54/7)	874.5, 900	49 61(D)	0.204	17	15	44 55	Green
PL5156 DPL5156	1.099 (27.9)	1.153 (29.3)	795 (26/7) (30/19)	954	49 61(D)	0.250	15	15	58 72	Orange
PL5157 DPL5157	1.154 (29.3)	1.208 (30.7)	954 (45/7) (54/7)	1033.5	51 63(D)	0.250	15	15	62 75	Purple
PL5158 DPL5158	1.209 (30.7)	1.268 (32.2)	954 (30/19) 1033.5 (45/7) (54/7) 1113 (45/7)	1113, 1192.5	53 65(D)	0.250	16	15	68 82	Black
PL5159 DPL5159	1.269 (32.2)	1.327 (33.7)	1113 (54/19) 1192.5 (45/7)	1272	53 65(D)	0.250	17	10	48 58	White
PL5160 DPL5160	1.328 (33.7)	1.390 (35.3)	1192.5 (54/19) 1272 (45/7) (54/19) 1351.5 (45/7)	1351.5, 1431	55 67(D)	0.250	16	10	50 60	Yellow
PL5161 DPL5161	1.391 (35.3)	1.440 (36.6)	1351.5 (54/19) 1431 (45/7)	1500	57 69(D)	0.310	15	5	33 40	Brown
PL5162 DPL5162	1.441 (36.6)	1.508 (38.3)	1431 (54/19) 1590 (45/7)	1590, 1700	59 71(D)	0.310	16	5	36 43	Blue
PL5163 DPL5163	1.509 (38.3)	1.578 (40.0)	1590 (54/19)	1750	61 73(D)	0.310	16	5	37 44	Green

NOTES:

- (1) Right-hand lay standard.
- (2) For aluminum conductor types & sizes not listed above, select rod set based on dia. range to accommodate conductor.
- (3) Applied O.D. of conductor with rods, for suspension clamp selection, equals conductor diameter plus two times rod dia.
- (4) Maximum conductor temperature limits vary with suspension clamp designs. See catalog Reference Data section for guidelines.

Conductor Protection — Protector Rods

Primary application as a mechanical reinforcement layer for mounting dampers or other devices on ACSS conductors or OPGW cables where suspension support reinforcing rods are not available to mount damper or device.

ALUMINUM

PR5

For EHV applications, add suffix "E" to catalog numbers to Specify. Example PR5158E

Product Data and Conductor Size

Catalog Number	Conductor / OPGW Dia. Range In. (mm)		Nominal Conductor Size (AWG or KCMIL)		Applied Length (in.)	Rod Dia. (in.)	Rods Per Set	Sets Per Carton	Wt. Per Carton (lbs.)	Color Code
	Min.	Max.	ACSS	ACSS/TW						
PR5139	0.476 (12.1)	0.533 (13.5)			16	0.121	13	50	14	Blue
PR5141	0.534 (13.6)	0.585 (14.9)			16	0.121	14	50	14	Green
PR5142	0.586 (14.9)	0.618 (15.7)			16	0.146	13	50	21	Orange
PR5144	0.619 (15.7)	0.667 (16.9)	266.8 (26/7) (30/7)		16	0.146	14	50	21	Purple
PR5146	0.668 (17.0)	0.722 (18.3)	336.4 (26/7)	336.4 (17/7) T23	20	0.146	15	50	29	Red
PR5148	0.723 (18.4)	0.816 (20.7)	397.5 (26/7) (30/7)	477 (18/7) T13 477 (18/7) T16	20	0.146	16	50	29	Black
PR5150	0.817 (20.8)	0.898 (22.8)	477 (26/7) (30/7)	477 (16/7) T23 556.5 (20/7) T16	20	0.146	18	50	31	White
PR5151	0.899 (22.8)	0.954 (24.2)	556.5 (26/7) (30/7)	636 (20/7) T16	24	0.167	17	50	47	Yellow
PR5152	0.955 (24.3)	1.019 (25.9)	636 (24/7) (26/7) (30/19) 666 (24/7) (26/7)	795 (21/7) T13 795 (20/7) T16	24	0.182	17	25	29	Brown
PR5154	1.020 (25.9)	1.064 (27.0)	715 (24/7) (26/7) 795 (45/7)	795 (22/19) T23 954 (33/7) T7	24	0.182	18	25	29	Blue
PR5155	1.065 (27.1)	1.098 (27.9)	795 (24/7) (54/7)	954 (21/7) T13	26	0.204	17	25	36	Green
PR5156	1.099 (27.9)	1.181 (30.0)	795 (26/7) (30/19) 954 (45/7)	1033.5 (33/7) T7 1033.5 (21/7) T13 1113 (33/7) T7	26	0.250	14	25	48	Orange
PR5158	1.182 (30.0)	1.298 (33.0)	954 (54/7) (30/19) 1033.5 (45/7) (54/7) 1113 (45/7) (54/19)	1113 (39/19) T13 1192.5 (39/19) T13 1272 (33/7) T7 (39/19) T13 1351.5 (33/7) T7	26	0.250	15	25	51	Purple
PR5160	1.299 (33.0)	1.415 (35.9)	1192.5 (45/7) (54/19) 1272 (45/7) (54/19) 1351.5 (45/7)	1351.5 (39/19) T13 1590 (36/7) T7	26	0.250	17	20	44	Blue
PR5162	1.416 (36.0)	1.543 (39.2)	1351.5 (54/19) 1431 (45/7) (54/19) 1590 (45/7)	1590 (42/19) T13 1780 (38/19) T8	26	0.250	18	20	48	Yellow
PR5163	1.544 (39.2)	1.685 (42.8)	1590 (54/19) 1780 (84/19)	2156 (64/19) T8	26	0.250	19	15	40	Brown
PR5164	1.686 (42.8)	1.84 (46.7)	2156 (84/19)		26	0.250	21	15	42	Blue

NOTES:

- (1) Right-hand lay standard.
- (2) For conductor/cable sizes not listed above, select rod set based on cable dia. range.
- (3) Applied O.D. of conductor/cable with rods equals cable diameter plus two times rod diameter.
- (4) Maximum conductor temperature limits vary with suspension clamp designs. Consult factory for information.

Cross Reference: Armor Rods, Line Guards & Protector Rods

results

Armor Rods — Aluminum

Product Data and Conductor Size

Conductor Dia. In. (mm)		Nominal Conductor Size (AWG or kCMIL)				HPS	PLP	DULMISON	HELICAL
Min.	Max.	ACSR/ACSS	ACSR/ACSS TW	AAC, AAAC	ACAR				
0.309 (7.8)	0.326 (8.3)	#2 6/1				AP8114	AR0114	AAR0785	AAR518
0.327 (8.3)	0.346 (8.8)			#1		AP8115	AR0115	AAR0830	AAR519
0.347 (8.8)	0.366 (9.3)	#1 6/1				AP8116	AR0116	AAR0880	AAR520
0.367 (9.3)	0.389 (9.9)			1/0		AP8117	AR0117	AAR0930	AAR521
0.390 (9.9)	0.413 (10.5)	1/0 6/1				AP8118	AR0118	AAR0990	AAR522
0.414 (10.5)	0.436 (11.1)			2/0		AP8119	AR0119	AAR1050	AAR523
0.437 (11.1)	0.463 (11.8)	2/0 6/1				AP8120	AR0120	AAR1110	AAR524
0.464 (11.8)	0.490 (12.4)			3/0		AP8121	AR0121	AAR1180	AAR525
0.491 (12.5)	0.521 (13.2)	3/0 6/1				AP8122	AR0122	AAR1245	AAR526
0.522 (13.3)	0.551 (14.0)			4/0		AP8123	AR0123	AAR1325	AAR527
0.552 (14.0)	0.585 (14.9)	4/0 6/1		250		AP8124	AR0124	AAR1400	AAR528
0.586 (14.9)	0.606 (15.4)		266.8 T16	266.8		AP8125	AR0125	AAR1490	AAR529
0.607 (15.4)	0.630 (16.0)	266.8 18/1				AP8126	AR0126	AAR1540	AAR530
0.631 (16.0)	0.655 (16.6)	266.8 26/7				AP8127	AR0127	AAR1605	AAR531
0.656 (16.7)	0.679 (17.2)		336.4 T16	336.4		AP8128	AR0128	AAR1665	AAR532
0.680 (17.3)	0.703 (17.9)	336.4 18/1	336.4 T23			AP8129	AR0129	AAR1725	AAR533
0.704 (17.9)	0.740 (18.8)	336.4 26/7	397.5 T16	397.5		AP8130	AR0130	AAR1790	AAR534
0.741 (18.8)	0.782 (19.9)	397.5 18/1	477 T13			AP8131	AR0131	AAR1880	AAR535
0.783 (19.9)	0.814 (20.7)	397.5 26/7	477 T16	477, 500	503.6	AP8132	AR0132	AAR1990	AAR536
0.815 (20.7)	0.845 (21.5)		477 T23 556.5 T13			AP8133	AR0133	AAR2070	AAR537

Armor Rods — Aluminum

Product Data and Conductor Size (continued)

Conductor Dia. In. (mm)		Nominal Conductor Size (AWG or kCMIL)				HPS	PLP	DULMISON	HELICAL
Min.	Max.	ACSR/ACSS	ACSR/ACSS TW	AAC, AAAC	ACAR				
0.846 (21.5)	0.907 (23.0)	480 5/7	556.5 T16 636 T13	556.5	545	AP8134	AR0134	AAR2150	AAR538
0.908 (23.1)	0.929 (23.6)	556.5 26/7	636 T16 664.8 T16	636	653.1	AP8135	AR0135	AAR2305	AAR539
0.930 (23.6)	0.976 (24.8)	556.5 30/7 605 26/7		715.5		AP8136	AR0136	AAR2360	AAR540
0.977 (24.8)	1.016 (25.8)	636 24/7 26/7 666 24/7 26/7	762.8 T16 795 T13, T16	750	739.8	AP8137 AP8137E	AR0137 AR0500	AAR2480 AAR2480E	AAR541 -
1.017 (25.8)	1.035 (26.3)	636.0 30/19		795		AP8138 AP8138E	AR0138 AR0501	AAR2585 AAR2585E	AAR542 -
1.036 (26.3)	1.064 (27.0)	715.5 26/7 795 45/7	964 T7		853.7	AP8139 AP8139E	AR0139 AR0502	AAR2630 AAR2630E	AAR543 -
1.065 (27.1)	1.098 (27.9)	795 24/7	964 T13			AP8140 AP8140E	AR0140 AR0503	AAR2705 AAR2705E	AAR544 -
1.099 (27.9)	1.139 (28.9)	795 26/7	959.6 T16 1033.5 T13	954	927.2	AP8141 AP8141E	AR0141 AR0504	AAR2790 AAR2790E	AAR545 -
1.140 (29.0)	1.161 (29.5)	954 36/1	1113 T7			AP8142 AP8142E	AR0142 AR0505	AAR2895 AAR2895E	AAR546 -
1.162 (29.5)	1.208 (30.7)	954 45/7 54/7 1033.5 45/7	1158.4 T7, T13 1113 T13		1024.5 1080.6	AP8143 AP8143E	AR0143 AR0506	AAR2950 AAR2950E	AAR547 -
1.209 (30.7)	1.269 (32.2)	1033.5 54/7 1113 45/7	1192.5 T13 1272 T7, T13 1233.6 T13 1351 T7	1113	1109 1198	AP8144 AP8144E	AR0144 AR0507	AAR3070 AAR3070E	AAR548 -
1.270 (32.3)	1.327 (33.7)	1113 54/19 1192.5 45/7	1351.5 T13 1431 T7	1272	1277	AP8145 AP8145E	AR0145 AR0508	AAR3225 AAR3225E	AAR549 -
1.328 (33.7)	1.390 (35.3)	1192.5 54/19 1272 45/7 54/19 1351.5 45/7	1433.6 T13 1590 T7	1351.5 1431	1361.5	AP8146 AP8146E	AR0146 AR0509	AAR3375 AAR3375E	AAR550 -
1.391 (35.3)	1.440 (36.6)	1351.5 54/19 1434 45/7	1590 T13 1622 T13		1534.4	AP8147 AP8147E	AR0147 AR0510	AAR3535 AAR3535E	AAR551 -
1.441 (36.6)	1.508 (38.3)	1596 3/7	1730.6 T13 1949.6 T7	1590	1703	AP8163 AP8163E	AR0163 AR0511	AAR3660 AAR3660E	AAR552 -
1.509 (38.3)	1.578 (40.1)	1592 16/19	1926.9 T13	1750	1798	AP8164 AP8164E	AR0164 AR0512	AAR3835 AAR3835E	AAR553 -
1.579 (40.1)	1.651 (41.9)	1780.0 84/19	2156 T8	2000	1933	AP8165 AP8165E	AR0165 AR0513	AAR4010 AAR4010E	AAR554 -
1.652 (42.0)	1.728 (43.9)	2034.5 72/7				AP8166 AP8166E	AR0166 AR0514	AAR4195 AAR4195E	AAR555 -
1.729 (43.9)	1.809 (45.9)	2167.0 72/7 2156 84/19	2627.3 T8	2300	2338	AP8167 AP8167E	AR0167 AR0516	AAR4390 AAR4390E	AAR556 -
1.810 (46.0)	1.898 (48.2)	2515.0 76/19		2500	2493	AP8168 AP8168E	AR0168 AR0517	AAR4595 AAR4595E	AAR557 -

Armor Rods — Aluminum, Double Suspension

Product Data and Conductor Size

Conductor Dia. In. (mm)		Nominal Conductor Size (AWG or kCML)				HPS	PLP	DULMISON	HELICAL
Min.	Max.	ACSR/ACSS	ACSR/ACSS TW	AAC, AAAC	ACAR				
0.309 (7.8)	0.326 (8.3)	#2 6/1				DAP8114	AR0314	DAAR0785	AAR618
0.327 (8.3)	0.346 (8.8)			#1		DAP8115	AR0315	DAAR0830	AAR619
0.347 (8.8)	0.366 (9.3)	#1 6/1				DAP8116	AR0316	DAAR0880	AAR620
0.367 (9.3)	0.389 (9.9)			1/0		DAP8117	AR0317	DAAR0930	AAR621
0.390 (9.9)	0.413 (10.5)	1/0 6/1				DAP8118	AR0318	DAAR0990	AAR622
0.414 (10.5)	0.436 (11.1)			2/0		DAP8119	AR0319	DAAR1050	AAR623
0.437 (11.1)	0.463 (11.8)	2/0 6/1				DAP8120	AR0320	DAAR1110	AAR624
0.464 (11.8)	0.490 (12.4)			3/0		DAP8121	AR0321	DAAR1180	AAR625
0.491 (12.5)	0.521 (13.2)	3/0 6/1				DAP8122	AR0322	DAAR1245	AAR626
0.522 (13.3)	0.551 (14.0)			4/0		DAP8123	AR0323	DAAR1325	AAR627
0.552 (14.0)	0.585 (14.9)	4/0 6/1		250		DAP8124	AR0324	DAAR1400	AAR628
0.586 (14.9)	0.606 (15.4)		266.8T16	266.8		DAP8125	AR0325	DAAR1490	AAR629
0.607 (15.4)	0.630 (16.0)	266.8 18/1				DAP8126	AR0326	DAAR1540	AAR630
0.631 (16.0)	0.655 (16.6)	266.8 26/7				DAP8127	AR0327	DAAR1605	AAR631
0.656 (16.7)	0.679 (17.2)		336.4T16	336.4		DAP8128	AR0328	DAAR1665	AAR632
0.680 (17.3)	0.703 (17.9)	303 5/7	336.4T23			DAP8129	AR0329	DAAR1725	AAR633
0.704 (17.9)	0.740 (18.8)	336.4 26/7	397.5T16	397.5		DAP8130	AR0342	DAAR1790	AAR634

Armor Rods — Galvanized Steel

Product Data and Conductor Size

Conductor Dia. In. (mm)		HS & EHS Cable	HPS	PLP	DULMISON	HELICAL
Min.	Max.					
0.309 (7.8)	0.326 (8.3)	5/16"	APGS0516	AR1128	SAR0785	GAR526
0.347 (8.8)	0.373 (9.5)	3/8"	APGS0038	AR1130	SAR0880	GAR528
0.414 (10.5)	0.436 (11.1)	7/16"	APGS0716	AR1133	SAR1050	GAR531
0.491 (12.5)	0.521 (13.2)	1/2"	APGS0012	AR1139	SAR1245	GAR534

Armor Rods — Aluminum-Clad Steel (Alumoweld®)

Product Data and Conductor Size

Conductor Dia. In. (mm)		HS & EHS Cable	HPS	PLP	DULMISON	HELICAL
Min.	Max.					
0.296 (7.5)	0.314 (8.0)	5/16", 7#10, 3#7, 10M	APAS0710	AR2124	AWAR0750	AWAR521
0.334 (8.5)	0.352 (8.9)	7#9, 3#6, 12.5M	APAS0079	AR2126	AWAR0850	AWAR523
0.373 (9.5)	0.392 (10.0)	3/8", 7#8, 3#5, 16M	APAS0078	AR2128	AWAR0950	AWAR525
0.409 (10.4)	0.425 (10.8)	18M	AP2130	AR2130	AWAR1040	AWAR526
0.426 (10.8)	0.45 (11.4)	7/16", 7#7, 20M	APAS0077	AR2131	AWAR1080	AWAR528
0.477 (12.1)	0.504 (12.8)	1/2", 7#6	APAS0076	AR2133	AWAR1210	AWAR530
0.535 (13.6)	0.565 (14.4)	9/16", 7#5	APAS0075	AR2135	AWAR1360	AWAR532

Line Guards — Aluminum

Product Data and Conductor Size

Conductor Dia. In. (MM)		Nominal Conductor Size, (AWG or kCMIL)				HPS	PLP	DULMISON	HELICAL
Min.	Max.	ACSR/ACSS	ACSR/ACSS TW	AAC, AAAC	ACAR				
0.290 (7.4)	0.308 (7.8)			#2		PL5130 DPL5130	MG0130 MG0313	ALG0735 DALG0735	ALG517 ALG617
0.309 (7.8)	0.326 (8.3)	#2 6/1				PL5131 DPL5131	MG0131 MG0314	ALG0785 DALG0785	ALG518 ALG618
0.327 (8.3)	0.346 (8.8)			#1		PL5132 DPL5132	MG0132 MG0315	ALG0830 DALG0830	ALG519 ALG619
0.347 (8.8)	0.366 (9.3)	#1 6/1				PL5133 DPL5133	MG0133 MG0316	ALG0880 DALG0880	ALG520 ALG620
0.367 (9.3)	0.389 (9.9)			1/0		PL5134 DPL5134	MG0134 MG0317	ALG0930 DALG0930	ALG521 ALG621
0.390 (9.9)	0.413 (10.5)	1/0 6/1		123.3		PL5135 DPL5135	MG0135 MG0318	ALG0990 DALG0990	ALG522 ALG622
0.414 (10.5)	0.436 (11.1)			2/0		PL5136 DPL5136	MG0136 MG0319	ALG1050 DALG1050	ALG523 ALG623
0.437 (11.1)	0.463 (11.8)	2/0 6/1				PL5137 DPL5137	MG0137 MG0320	ALG1110 DALG1110	ALG524 ALG624
0.464 (11.8)	0.490 (12.4)			3/0		PL5138 DPL5138	MG0138 MG0321	ALG1180 DALG1180	ALG525 ALG615
0.491 (12.5)	0.521 (13.2)	3/0 6/1		195.7		PL5139 DPL5139	MG0139 MG0322	ALG1245 DALG1245	ALG526 ALG626
0.522 (13.3)	0.551 (14.0)			4/0		PL5140 DPL5140	MG0140 MG0323	ALG1325 DALG1325	ALG527 ALG627
0.552 (14.0)	0.585 (14.9)	4/0 6/1		250		PL5141 DPL5141	MG0141 MG0324	ALG1400 DALG1400	ALG528 ALG628
0.586 (14.9)	0.606 (15.4)		266.8 T16	266.8		PL5142 DPL5142	MG0142 MG0325	ALG1490 DALG1490	ALG529 ALG629
0.607 (15.4)	0.630 (16.0)	266.8 18/1				PL5143 DPL5143	MG0143 MG0326	ALG1540 DALG1540	ALG530 ALG630
0.631 (16.0)	0.655 (16.6)	266.8 26/7		312.8		PL5144 DPL5144	MG0144 MG0327	ALG1605 DALG1605	ALG531 ALG631
0.656 (16.7)	0.679 (17.2)		336.4 T16	336.4		PL5145 DPL5145	MG0145 MG0328	ALG1665 DALG1665	ALG532 ALG632
0.680 (17.3)	0.703 (17.9)	336.4 18/1	336.4 T23			PL5146 DPL5146	MG0146 MG0329	ALG1725 DALG1725	ALG533 ALG633
0.704 (17.9)	0.740 (18.8)	336.4 26/7	397.5 T16	397.5		PL5147 DPL5147	MG0147 MG0330	ALG1790 DALG1790	ALG534 ALG634
0.741 (18.8)	0.792 (20.1)	397.5 18/1 26/7	477 T13 T16	477		PL5148 DPL5148	MG0148 MG0331	ALG1880 DALG1880	ALG535 ALG635

Line Guards — Aluminum

Product Data and Conductor Size (continued)

Conductor Dia. In. (MM)		Nominal Conductor Size, (AWG or kCMIL)				HPS	PLP	DULMISON	HELICAL
Min.	Max.	ACSR/ACSS	ACSR/ACSS TW	AAC, AAAC	ACAR				
0.793 (20.1)	0.840 (21.3)	397.5 30/7, 477 18/1	477T23, 556.5T13	500	503.6	PL5149 DPL5149	MG0149 MG0332	ALG2015 DALG2015	ALG536 ALG636
0.841 (21.4)	0.898 (22.8)	477 26/7 30/7	556.5T16, 565.3T16 571.7T13, 636T13	556.5, 600	587.2	PL5150 DPL5150	MG0150 MG0333	ALG2135 DALG2135	ALG537 ALG637
0.899 (22.8)	0.954 (24.2)	556.5 26/7 30/7 636 18/1	636T16, 664.6T16	636	653.1	PL5151 DPL5151	MG0151 MG0334	ALG2285 DALG2285	ALG538 ALG638
0.955 (24.3)	0.986 (25.0)	605 26/7, 636 24/7	768.2T13, 795T7	715.5		PL5152 DPL5152	MG0152 MG0335	ALG2425 DALG2425	ALG539 ALG639
0.987 (25.1)	1.016 (25.8)	605 30/19, 636 26/7 666 24/7 26/7	762.8T16, 795T16	750	739.8	PL5153 DPL5153	MG0153 MG0336	ALG2505 DALG2505	ALG540 ALG640
1.017 (25.8)	1.064 (27)	636 30/19 715 26/7, 795 45/7	954T7	795	853.7	PL5154 DPL5154	MG0154 MG0337	ALG2585 DALG2585	ALG541 ALG641
1.065 (27.1)	1.098 (27.9)	715.5 30/19 795 54/7	954T13	874.5, 900		PL5155 DPL5155	MG0155 MG0338	ALG2705 DALG2705	ALG542 ALG642
1.099 (27.9)	1.153 (29.3)	795 26/7 30/19	959.6T16 1033.5T7T13 1113T7	954	927.2	PL5156 DPL5156	MG0156 MG0339	ALG2790 DALG2790	ALG543 ALG643
1.154 (29.3)	1.208 (30.7)	954 45/7 54/7	1158T7 1113T13, 1192.5T7	1033.5	1024.5	PL5157 DPL5157	MG0157 MG0340	ALG2930 DALG2930	ALG544 ALG644
1.209 (30.7)	1.268 (32.2)	954 30/19 1033.5 45/7 54/7 1113 45/7	1192.5T13, 1233.6T13 1272.7T13 1351.5T7	1113, 1192.5	1109 - 1198	PL5158 DPL5158	MG0158 MG0341	ALG3070 DALG3070	ALG545 ALG645
1.269 (32.2)	1.327 (33.7)	1113 54/19 1192.5 45/7	1351.5T13 1431T7	1272	1277	PL5159 DPL5159	MG0159 MG0342	ALG3225 DALG3225	ALG546 ALG646
1.328 (33.7)	1.390 (35.3)	1192.5 54/19 1272 45/7 54/19 1351.5 45/7	1431 & 1433.6T13 1557.4 & 1590T7	1351.5, 1431	1361.5	PL5160 DPL5160	MG0160 MG0343	ALG3375 DALG3375	ALG547 ALG647
1.391 (35.3)	1.440 (36.6)	1351.5 54/19 1431 45/7	1590 & 1622T13		1534.4	PL5161 DPL5161	MG0161 MG0344	ALG3535 DALG3535	ALG548 ALG648
1.441 (36.6)	1.508 (38.3)	1431 54/19 1590 45/7	1780T8 1949.6T7	1590	1703	PL5162 DPL5162	MG0162 MG0345	ALG3660 DALG3660	ALG549 ALG649

Protector Rods — Aluminum

Product Data and Conductor Size

Conductor Dia. In. (MM)		Nominal Conductor Size, (AWG or kCMIL)		HPS	PLP
Min.	Max.	ACSS	ACSS TW		
0.476 (12.1)	0.533 (13.5)			PR5139	PR-0139
0.534 (13.6)	0.585 (14.9)			PR5141	PR-0141
0.586 (14.9)	0.618 (15.7)			PR5142	PR-0142
0.619 (15.7)	0.667 (16.9)	266.8 26/7		PR5144	PR-0144
0.668 (17.0)	0.722 (18.3)	336.4 26/7	336.4 T23	PR5146	PR-0146
0.723 (18.4)	0.816 (20.7)	397.5 26/7	477 T13, T16	PR5148	PR-0148
0.817 (20.8)	0.898 (22.8)	477 24/7, 26/7	477 T23	PR5150	PR-0150
0.899 (22.8)	0.954 (24.2)	556.5 24/7, 26/7	636 T16, T23	PR5151	PR-0151
0.955 (24.3)	1.019 (25.9)	636 24/7, 26/7 666 24/7, 26/7	765 T13, T16	PR5152	PR-0152
1.020 (25.9)	1.064 (27.0)	715.5 24/7, 26/7 795 45/7	795 T23	PR5154	PR-0154
1.065 (27.1)	1.098 (27.9)	795 24/7, 54/7	954 T13	PR5155	PR-0155
1.099 (27.9)	1.181 (30.0)	795 26/7, 30/7 954 45/7	959.6 T16 1033.5 T13	PR5156	PR-0156
1.182 (30.0)	1.298 (33.0)	954 54/7, 1033.5 54/7 1113 45/7, 54/19	1113 T13, 1192.5 T7, T13 1233.6 T13, 1272 T7, T13, 1351.5 T7	PR5158	PR-0158
1.299 (33.0)	1.415 (35.9)	1192.5 45/7, 54/19 1272 45/7, 54/19, 1351.5 45/7	1351.5 T13, 1433.6 T13 1590 T7, T13	PR5160	PR-0160
1.416 (36.0)	1.543 (39.2)	1351.5 54/19 1590 45/7	1622 T13, 1780 T8	PR5162	PR-0162
1.544 (39.2)	1.685 (42.8)	1590 54/19 1780 84/19	1926.9 T13, 2156 T8	PR5163	PR-0163
1.686 (42.8)	1.840 (46.7)	2156 84/19 2312 76/19	2627.3 T8	PR5164	PR-0164

Assemblies

Assemblies Index

Tangent Suspension, Single Conductor	H-1
Single-String 30k lb Assembly, 69kV - 230kV.....	H-1
V-String 30k lb Assembly, 69kV - 230kV.....	H-2
Tangent Suspension, 2-Bundle Conductor	H-3
Single-String 30k lb Assembly, 138kV - 230kV.....	H-3
Single-String 50k lb Assembly, 138kV - 230kV.....	H-4
V-String 30k lb Assembly, 138kV - 230kV.....	H-5
V-String 50k lb Assembly, 138kV - 230kV.....	H-6
Tangent Suspension, 2-Bundle Vertical Conductor	H-7
Single-String 30k lb Assembly, 138kV - 230kV.....	H-7
V-String 30k lb Assembly, 138kV - 230kV.....	H-8
Angle Suspension, 2-Bundle Conductor	H-9
Running Angle 30k lb Assembly, 138kV - 230kV.....	H-9
Running Angle 50k lb Assembly, 138kV - 230kV.....	H-10
Angle V 30k lb Assembly, 138kV - 230kV.....	H-11
Angle V 50k lb Assembly, 138kV - 230kV.....	H-12
Deadend, Single Conductor	H-13
Single Insulator 30k lb Assembly, 69kV - 230kV	H-13
Single Insulator 50k lb Assembly, 69kV - 230kV	H-14
Double Insulator 30k lb Assembly, 69kV - 230kV	H-15
Deadend, 2-Bundle Conductor	H-16
Single Insulator 50k lb Assembly, 138kV - 230kV	H-16
Double Insulator 30k lb Assembly, 138kV - 230kV	H-17
Double Insulator 50k lb Assembly, 138kV - 230kV	H-18
Jumper Suspension, Single Conductor	H-19
Single Insulator with Weights 30k lb Assembly, 69kV - 230kV.....	H-19
Jumper Support, Single Conductor	H-20
2.5" Post (Horizontal) Insulator Assembly, 69kV - 230kV	H-20
Jumper Support, 2-Bundle Conductor	H-21
2.5" Post (Horizontal) Insulator Assembly, 138kV - 230kV	H-21
3" Post (Horizontal) Insulator Assembly, 138kV - 230kV	H-22
Single Insulator with Weights 30k lb Assembly, 138kV - 230kV.....	H-23
2.5" Post (Vertical) Insulator Assembly, 138kV - 230kV	H-24

Assemblies Index

EHV Tangent Suspension, 2 Bundle Conductor H-25

Single-String 30k lb Assembly, 230kV - 345kV.....H-25

Single-String 50k lb Assembly, 230kV - 345kV.....H-26

V-String 30k lb Assembly, 230kV - 345kV.....H-27

V-String 50k lb Assembly, 230kV - 345kV.....H-28

EHV Tangent Suspension, 2-Bundle Vertical Conductor..... H-29

Single-String 30k lb Assembly, 230kV - 345kV.....H-29

V-String 30k lb Assembly, 230kV - 345kV.....H-30

EHV Tangent Suspension, 3-Bundle Conductor H-31

V-String 30k lb Assembly, 345kV - 500kV.....H-31

V-String 50k lb Assembly, 345kV - 500kV.....H-32

V-String 80k lb Assembly, 345kV - 500kV.....H-33

Double V-String 50k lb Assembly, 345kV - 500kVH-34

EHV Angle Suspension, 2-Bundle Conductor..... H-35

Running Angle 30k lb Assembly, 230kV - 345kV.....H-35

Running Angle 50k lb Assembly, 230kV - 345kV.....H-36

Angle V 30k lb Assembly, 230kV - 345kV.....H-37

Angle V 50k lb Assembly, 230kV - 345kV.....H-38

EHV Angle Suspension, 3-Bundle Conductor..... H-39

Angle V 50k lb Assembly, 345kV - 500kV.....H-39

Double V-String 50k lb Assembly, 345kV - 500kVH-40

EHV Deadend, 2-Bundle Conductor..... H-41

Single Insulator 50k lb Assembly, 230kV - 345kVH-41

Double Insulator 30k lb Assembly, 230kV - 345kVH-42

Double Insulator 50k lb Assembly, 230kV - 345kVH-43

EHV Deadend, 3-Bundle Conductor..... H-44

Double Insulator 50k lb Assembly, 345kV - 500kVH-44

Double Insulator 80k lb Assembly, 345kV - 500kVH-45

Triple Insulator 50k lb Assembly, 345kV - 500kVH-46

EHV Jumper Support, 2-Bundle Conductor H-47

2.5" Post (Vertical) Insulator Assembly, 230kV - 345kVH-47

2.5" Post (Horizontal) Insulator Assembly, 230kV - 345kVH-48

3" Post (Horizontal) Insulator Assembly, 230kV - 345kVH-49

3" Post (Vertical) Insulator Assembly, 345kV - 500kVH-50

Single Insulator with Weights 30k lb Assembly, 230kV - 345kV.....H-51

EHV Jumper Support, 3-Bundle Conductor H-52

Single Insulator with Weights 30k lb Assembly, 345kV - 500kV.....H-52



Peace of Mind

Hubbell Power Systems' (HPS) customers know that their hardware requirements — from metallurgy to finished product — are not only designed and manufactured with the utmost precision and electrical integrity, but they come together quickly and efficiently as well.

With a full spectrum of tower hardware, this section lists Hubbell's standard transmission tangent, angle, deadend, and jumper assemblies which include Anderson™ and Fargo® Connectors and Quadri*Sil™ Insulators. The assemblies are grouped by voltage (Standard or EHV), number of conductors, general assembly type, and strength of insulators. See Table of Contents for further clarification.

Each assembly is defined by a Base Assembly Catalog Number which includes all items in the bill of material chart shown. However, this assembly number alone will not specify an exact bill of material until final customer-specific information is provided, i.e., Tangent assemblies require the customer to provide conductor and specific voltage information to select the exact suspension clamp and insulator to be included.

For your convenience, a tabulated chart is included which provides the most common insulator part number for each applicable voltage for that given assembly. Please see quoting and ordering instructions below.

For Quotes and Ordering

1. Select Base Assembly based on Voltage, Number of Conductors, Assembly Type, and Insulator String Strength.
2. Specify Conductor Size, Type and Stranding to be used (e.g., 795 kcmil, ACSS, 26/7).
3. Specify whether armor rods or line guards will be used on the conductor.

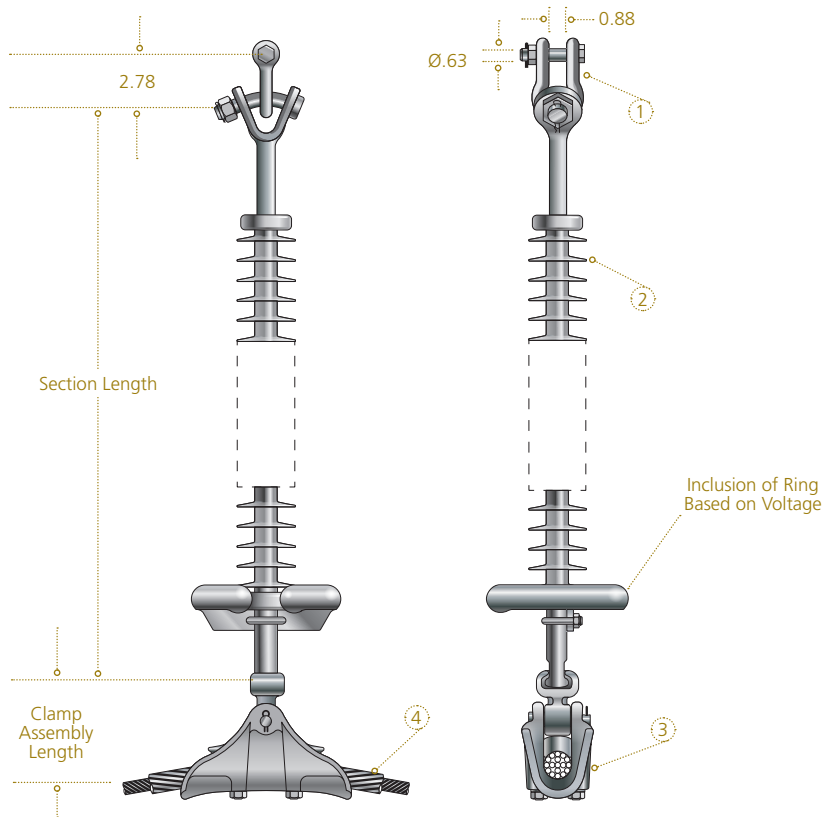
NOTE: The suspension clamp/deadend assembly, armor rods/line guards (if required), and the specific insulator will be chosen by HPS based on selection criteria provided by the customer.

Tangent Suspension, Single Conductor

Single-String 30k lb Assembly, 69kV - 230kV

ASSEMBLY

TAT11CVN



Base Assembly Bill of Material

Item	Part Number	Description	Quantity	Material	UBS lb
1	AS25LBNKCVN	Anchor Shackle	1	Forged Steel	30,000
2	See Chart	Insulator, ANSI 52-5	1	Polymer	—
3	See Note 1	Suspension Clamp w/Socket	1	Aluminum	—
4	See Note 2	Armor Rods	1	Aluminum	—

Typical Insulator Selection

69	S030023S2010	35.4	30,000	—
115	S030036S2010	48.4	30,000	—
138	S030043S2010	54.9	30,000	—
161	S030056S2010	67.8	30,000	—
230	S030073S201A	85.1	30,000	8" Line End

NOTE: For quoting/ordering instructions, see Assemblies section.

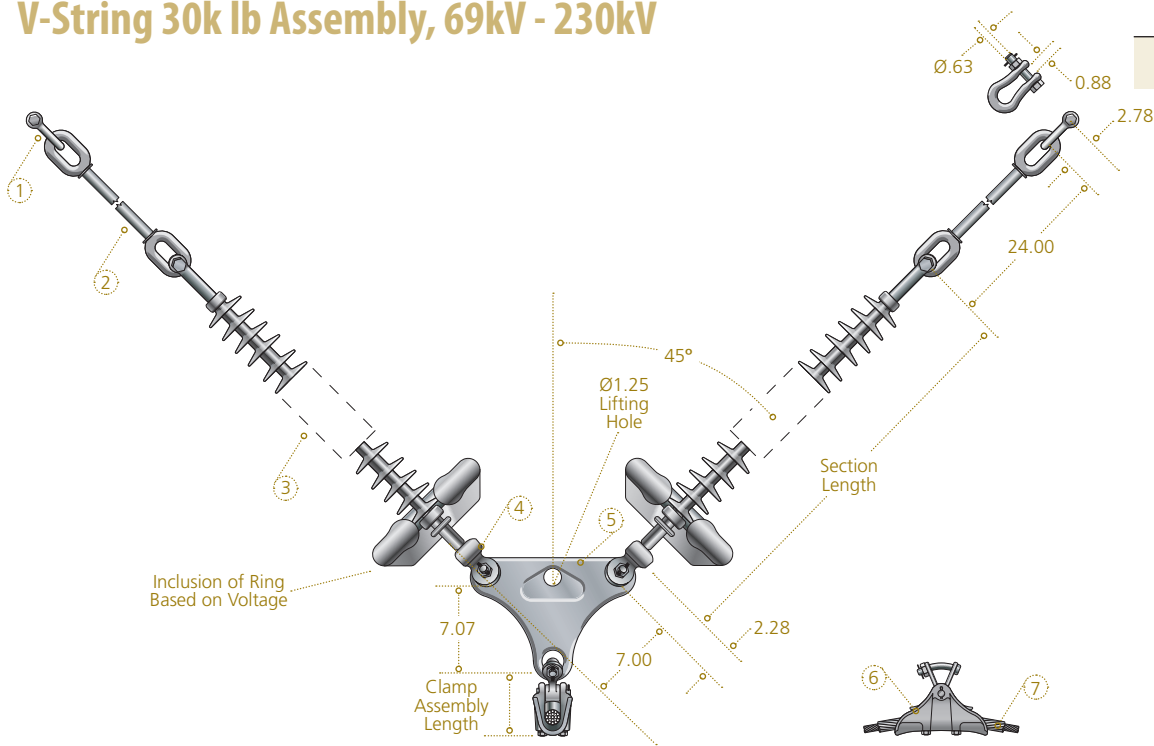
- (1) See Suspension Clamp section for standard and high temperature conductor suspension clamp options.
- (2) See Armor Rod section for rod set based on conductor application.

Tangent Suspension, Single Conductor

V-String 30k lb Assembly, 69kV - 230kV

ASSEMBLY

TAT12CVN



Base Assembly Bill of Material

Item	Part Number	Description	Quantity	Material	UBS lb
1	AS25LBNKCVN	Anchor Shackle	2	Forged Steel	30,000
2	H003024CVN	Oval Eye Ext. Link (24")	2	Forged Steel	30,000
3	See Chart	Insulator, ANSI 52-5	2	Polymer	—
4	SYC133	Socket Y-Clevis	2	Forged Steel	30,000
5	YPD30152382CVN	Yoke Plate	1	Cut Steel	30,000
6	See Note 1	Suspension Clamp w/Y-Clevis Eye	1	Aluminum	—
7	See Note 2	Armor Rods	1	Aluminum	—

Typical Insulator Selection

Line Voltage (kV)	Quadri*Sil® Part Number	Section Length Inches	SML lb	Corona Ring
69	S030023S2010	35.4	30,000	—
115	S030036S2010	48.4	30,000	—
138	S030043S2010	54.9	30,000	—
161	S030056S2010	67.8	30,000	—
230	S030073S201A	85.1	30,000	8" Line End

NOTE: For quoting/ordering instructions, see Assemblies section.

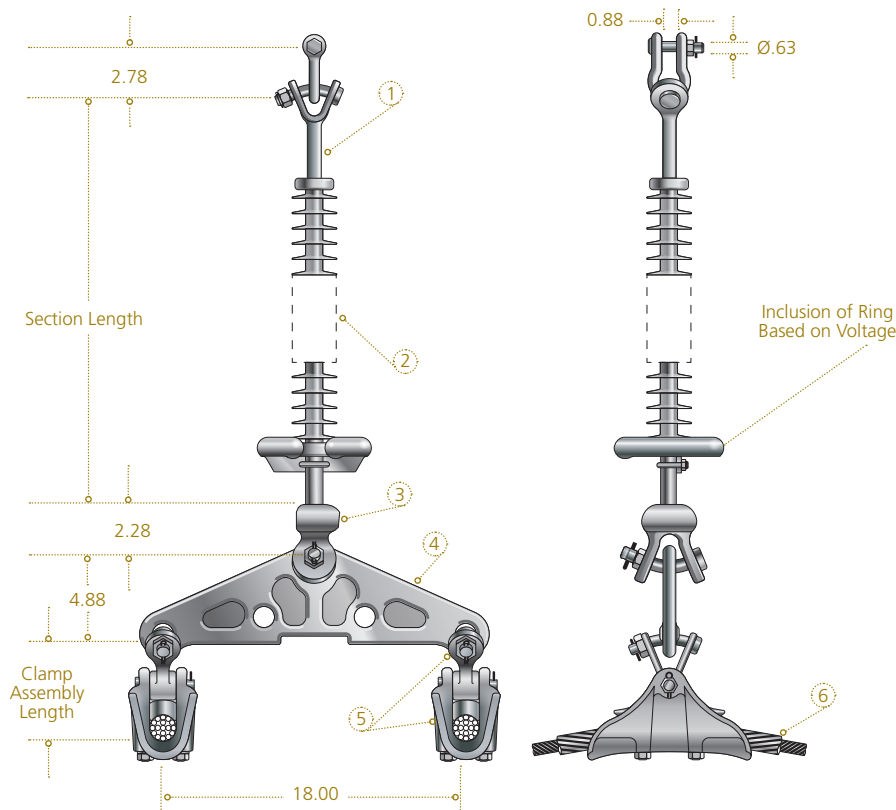
- (1) See Suspension Clamp section for standard and high temperature conductor suspension clamp options.
- (2) See Armor Rod section for rod set based on conductor application.

Tangent Suspension, 2-Bundle Conductor

Single-String 30k lb Assembly, 138kV - 230kV

ASSEMBLY

TAT21CVN



Base Assembly Bill of Material

Item	Part Number	Description	Quantity	Material	UBS lb
1	AS25LBNKCVN	Anchor Shackle	1	Forged Steel	30,000
2	See Chart	Insulator, ANSI 52-5	1	Polymer	—
3	SYC133	Socket Y-Clevis	1	Forged Steel	30,000
4	YPD30184373CVN	Yoke Plate	1	Cut Steel	30,000
5	See Note 1	Suspension Clamp w/Y-Clevis Eye	2	Aluminum	—
6	See Note 2	Armor Rods	2	Aluminum	—

Typical Insulator Selection

Line Voltage (kV)	Quadri*Sil® Part Number	Section Length Inches	SML lb	Corona Ring
138	S030043S2010	54.9	30,000	—
161	S030056S2010	67.8	30,000	—
230	S030073S201A	85.1	30,000	8" Line End

NOTE: For quoting/ordering instructions, see Assemblies section.

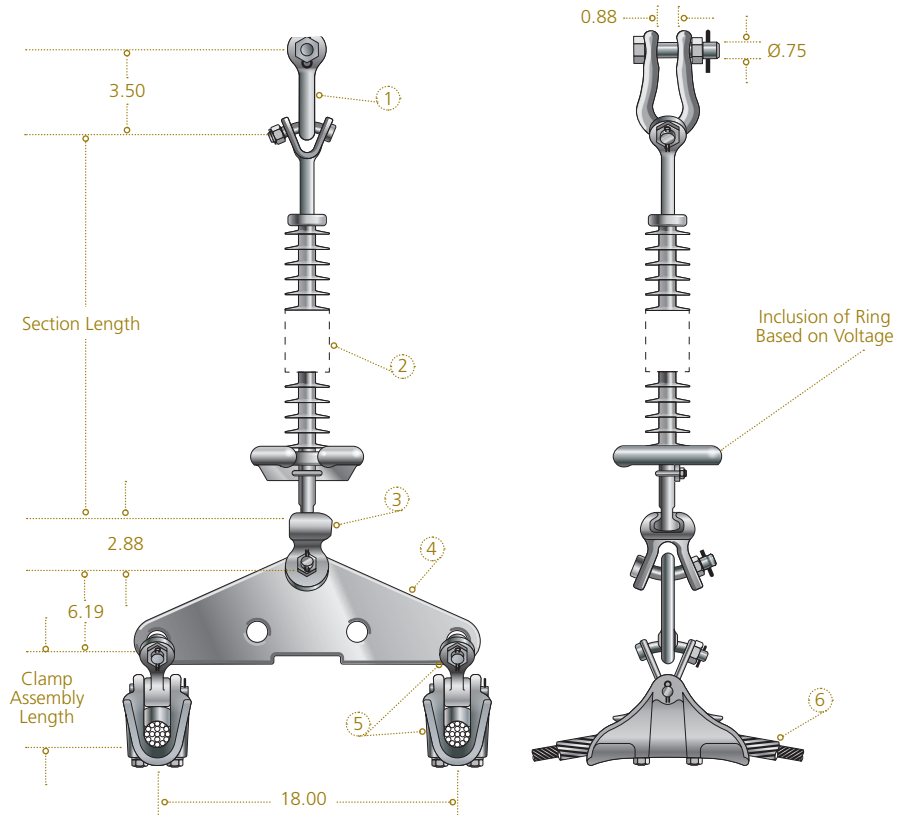
- (1) See Suspension Clamp section for standard and high temperature conductor suspension clamp options.
- (2) See Armor Rod section for rod set based on conductor application.

Tangent Suspension, 2-Bundle Conductor

Single-String 50k lb Assembly, 138kV - 230kV

ASSEMBLY

TAT21CVN



Base Assembly Bill of Material

Item	Part Number	Description	Quantity	Material	UBS lb
1	AS50BNKCVN	Anchor Shackle	1	Forged Steel	60,000
2	See Chart	Insulator, ANSI 52-11	1	Polymer	—
3	SYC50CVN	Socket Y-Clevis	1	Ductile Iron	50,000
4	YPD50185491CVN	Yoke Plate	1	Ductile Iron	50,000
5	See Note 1	Suspension Clamp w/Y-Clevis	2	Aluminum	—
6	See Note 2	Armor Rods	2	Aluminum	—

Typical Insulator Selection

Line Voltage (kV)	Quadri*Sil® Part Number	Section Length Inches	SML lb	Corona Ring
138	S050043S2010	57.3	50,000	—
161	S050056S2010	70.3	50,000	—
230	S050073S201A	87.6	50,000	8" Line End

NOTE: For quoting/ordering instructions, see Assemblies section.

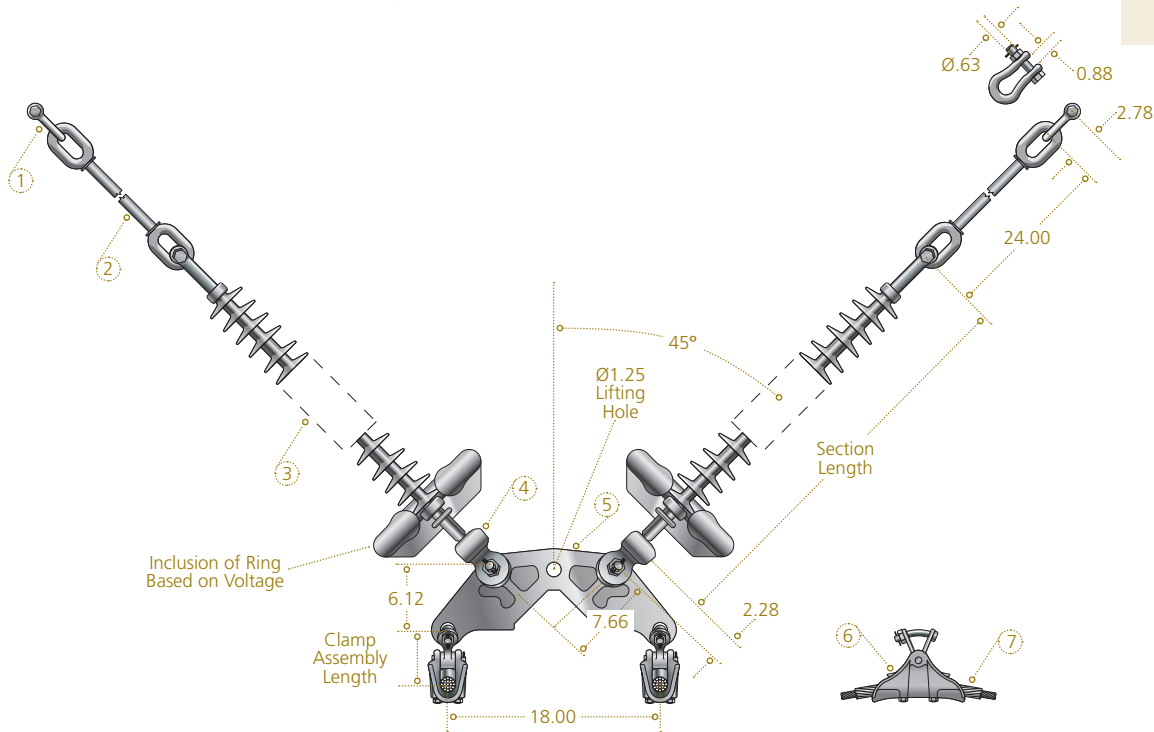
- (1) See Suspension Clamp section for standard and high temperature conductor suspension clamp options.
- (2) See Armor Rod section for rod set based on conductor application.

Tangent Suspension, 2-Bundle Conductor

V-String 30k lb Assembly, 138kV - 230kV

ASSEMBLY

TAT22CVN



Base Assembly Bill of Material

Item	Part Number	Description	Quantity	Material	UBS lb
1	AS25LBNKCVN	Anchor Shackle	2	Forged Steel	30,000
2	H003024CVN	Oval Eye Ext. Link (24")	2	Forged Steel	30,000
3	See Chart	Insulator, ANSI 52-5	2	Polymer	—
4	SYC133	Socket Y-Clevis	2	Forged Steel	30,000
5	YPV30172592CVN	Yoke Plate	1	Cut Steel	30,000
6	See Note 1	Suspension Clamp w/Y-Clevis Eye	2	Aluminum	—
7	See Note 2	Armor Rods	2	Aluminum	—

Typical Insulator Selection

Line Voltage (kV)	Quadri*Sil® Part Number	Section Length Inches	SML lb	Corona Ring
138	S030043S2010	54.9	30,000	—
161	S030056S2010	67.8	30,000	—
230	S030073S201A	85.1	30,000	8" Line End

NOTE: For quoting/ordering instructions, see Assemblies section.

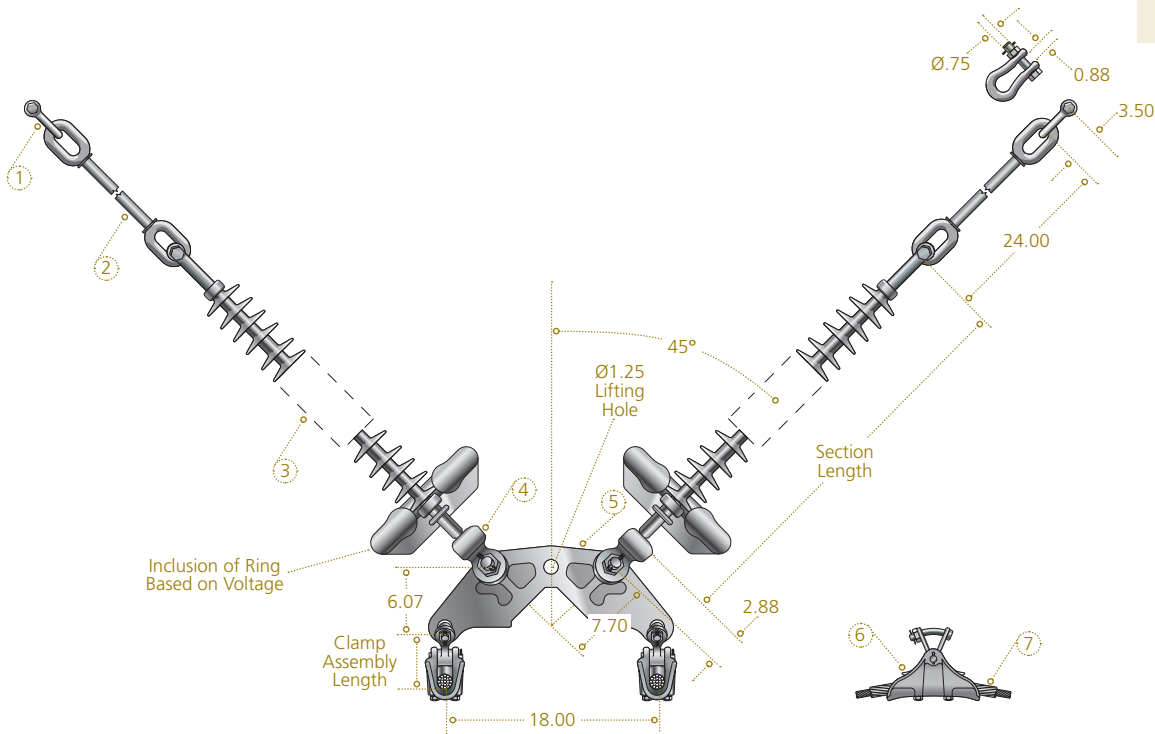
- (1) See Suspension Clamp section for standard and high temperature conductor suspension clamp options.
- (2) See Armor Rod section for rod set based on conductor application.

Tangent Suspension, 2-Bundle Conductor

V-String 50k lb Assembly, 138kV - 230kV

ASSEMBLY

TAT22CVN



Base Assembly Bill of Material

Item	Part Number	Description	Quantity	Material	UBS lb
1	AS50BNKCVN	Anchor Shackle	2	Forged Steel	60,000
2	H005024CVN	Oval Eye Ext. Link (24")	1	Forged Steel	60,000
3	See Chart	Insulator, ANSI 52-11	2	Polymer	—
4	SYC50CVN	Socket Y-Clevis	2	Forged Steel	50,000
5	YPV5019011CVN	Yoke Plate	1	Cut Steel	50,000
6	See Note 1	Suspension Clamp w/Y-Clevis Eye	2	Aluminum	—
7	See Note 2	Armor Rods	2	Aluminum	—

Typical Insulator Selection

Line Voltage (kV)	Quadri*Sil® Part Number	Section Length Inches	SML lb	Corona Ring
138	S050043S2010	57.3	50,000	—
161	S050056S2010	70.3	50,000	—
230	S050073S201A	87.6	50,000	8" Line End

NOTE: For quoting/ordering instructions, see Assemblies section.

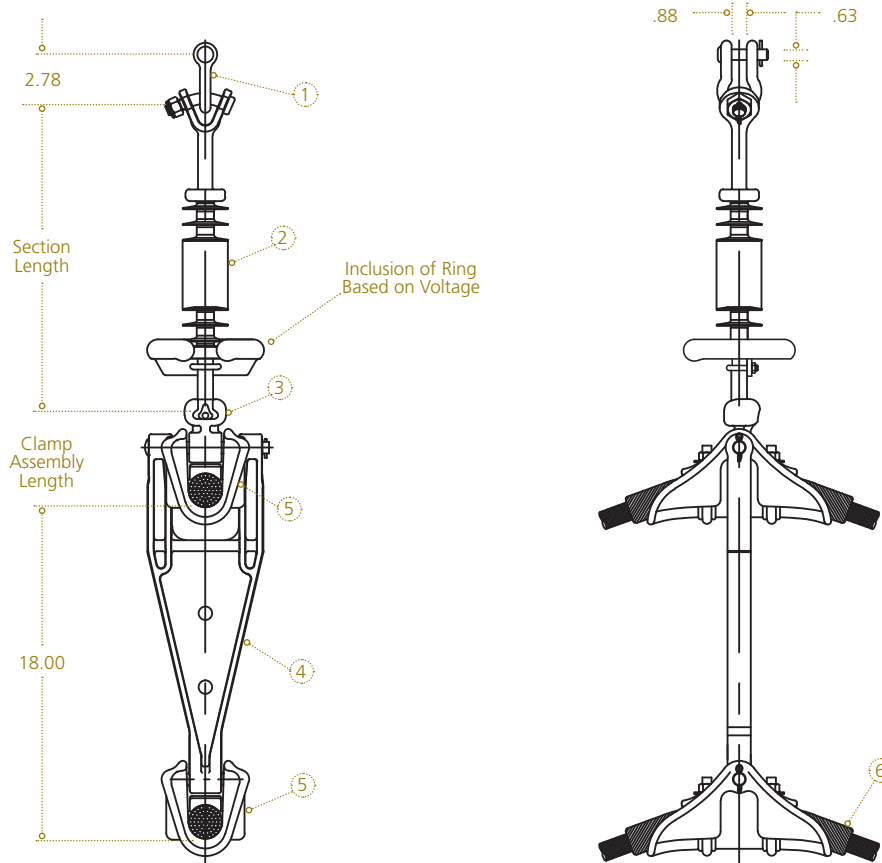
- (1) See Suspension Clamp section for standard and high temperature conductor suspension clamp options.
- (2) See Armor Rod section for rod set based on conductor application.

Tangent Suspension, 2-Bundle Vertical Conductor

Single-String 30k lb Assembly, 138kV - 230kV

ASSEMBLY

TAT21WCVN



Base Assembly Bill of Material

Item	Part Number	Description	Quantity	Material	UBS lb
1	AS25LBNKCVN	Anchor Shackle	1	Forged Steel	30,000
2	See Chart	Insulator, ANSI 52-5	1	Polymer	—
3	SA16CVN	Socket Eye	1	Forged Steel	30,000
4	YPW3018218CVN	Yoke, Vertical Bungling	1	Aluminum	30,000
5	See Note 1	Suspension Clamp	2	Aluminum	—
6	See Note 2	Armor Rods	2	Aluminum	—

Typical Insulator Selection

Line Voltage (kV)	Quadri*Sil® Part Number	Section Length Inches	SML lb	Corona Ring
138	S030043S2010	54.9	30,000	—
161	S030056S2010	67.8	30,000	—
230	S030073S201A	85.1	30,000	8" Line End

NOTE: For quoting/ordering instructions, see Assemblies section.

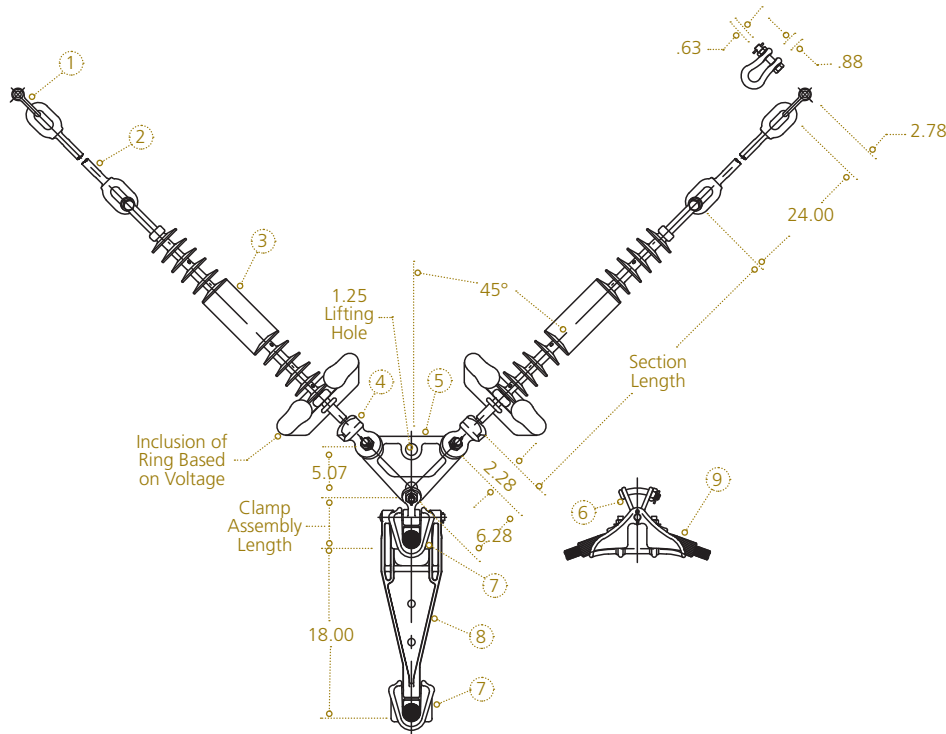
- (1) See Suspension Clamp section for standard and high temperature conductor suspension clamp options.
- (2) See Armor Rod section for rod set based on conductor application.

Tangent Suspension, Double Conductor

V-String 30k lb Assembly, 138kV - 230kV

ASSEMBLY

TAT22WCVN



Base Assembly Bill of Material

Item	Part Number	Description	Quantity	Material	UBS lb
1	AS25LBNKCVN	Anchor Shackle	2	Forged Steel	30,000
2	H003024CVN	Oval Eye Ext. Link (24")	2	Forged Steel	30,000
3	See Chart	Insulator, ANSI 52-5	2	Polymer	—
4	SYC133	Socket Y-Clevis	2	Forged Steel	30,000
5	YPD5024685CVN	Yoke Plate	1	Cut Steel	50,000
6	YCS1690CVN	Y-Clevis Eye	1	Forged Steel	30,000
7	See Note 1	Suspension Clamp	2	Aluminum	—
8	YPW3018218CVN	Yoke, Vertical Bundling	1	Aluminum	30,000
9	See Note 2	Armor Rods	2	Aluminum	—

Typical Insulator Selection

Line Voltage (kV)	Quadri*Sil® Part Number	Section Length Inches	SML lb	Corona Ring
138	S030043S2010	54.9	30,000	—
161	S030056S2010	67.8	30,000	—
230	S030073S201A	85.1	30,000	8" Line End

NOTE: For quoting/ordering instructions, see Assemblies section.

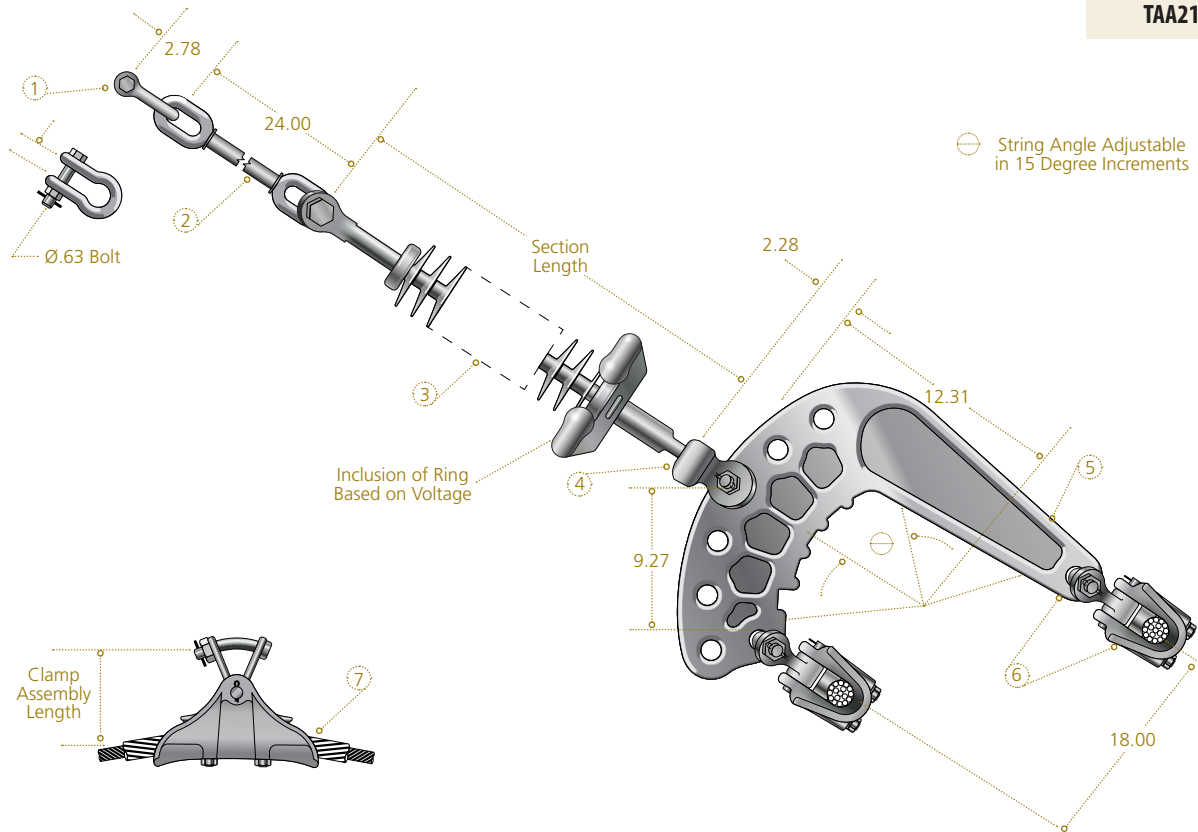
- (1) See Suspension Clamp section for standard and high temperature conductor suspension clamp options.
- (2) See Armor Rod section for rod set based on conductor application.

Angle Suspension, 2-Bundle Conductor

Running Angle 30k lb Assembly, 138kV - 230kV

ASSEMBLY

TAA21CVN



Base Assembly Bill of Material

Item	Part Number	Description	Quantity	Material	UBS lb
1	AS25LBNKCVN	Anchor Shackle	1	Forged Steel	30,000
2	H003024CVN	Oval Eye Ext. Link (24")	1	Forged Steel	30,000
3	See Chart	Insulator, ANSI 52-5	1	Polymer	—
4	SYC133	Socket Y-Clevis	1	Forged Steel	30,000
5	YPC5026001CVN	Yoke Plate	1	Cut Steel	50,000
6	See Note 1	Suspension Clamp w/Y-Clevis Eye	2	Aluminum	—
7	See Note 2	Armor Rods	2	Aluminum	—

Typical Insulator Selection

Line Voltage (kV)	Quadri*Sil® Part Number	Section Length Inches	SML lb	Corona Ring
138	S030043S2010	54.9	30,000	—
161	S030056S2010	67.8	30,000	—
230	S030073S201A	85.1	30,000	8" Line End

NOTE: For quoting/ordering instructions, see Assemblies section.

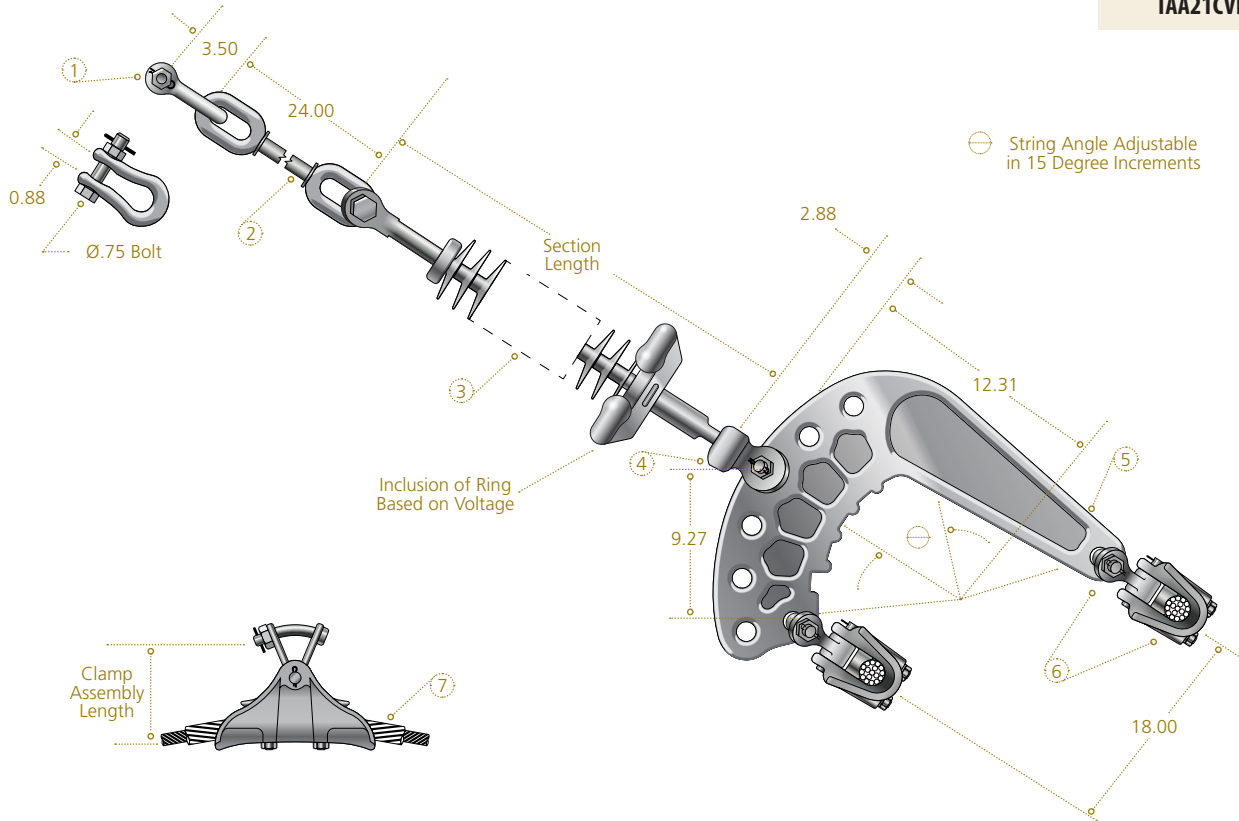
- (1) See Suspension Clamp section for standard and high temperature conductor suspension clamp options.
- (2) See Armor Rod section for rod set based on conductor application.

Angle Suspension, 2-Bundle Conductor

Running Angle 50k lb Assembly, 138kV - 230kV

ASSEMBLY

TAA21CVN



Base Assembly Bill of Material

Item	Part Number	Description	Quantity	Material	UBS lb
1	AS50BNKCVN	Anchor Shackle	1	Forged Steel	60,000
2	H005024CVN	Oval Eye Ext. Link (24")	1	Forged Steel	60,000
3	See Chart	Insulator, ANSI 52-5	1	Polymer	—
4	SYC50CVN	Socket Y-Clevis	1	Forged Steel	50,000
5	YPC5026001CVN	Yoke Plate	1	Cut Steel	50,000
6	See Note 1	Suspension Clamp w/Y-Clevis Eye	2	Aluminum	—
7	See Note 2	Armor Rods	2	Aluminum	—

Typical Insulator Selection

Line Voltage (kV)	Quadri*Sil® Part Number	Section Length Inches	SML lb	Corona Ring
138	S050043S2010	57.3	50,000	—
161	S050056S2010	70.3	50,000	—
230	S050073S201A	87.6	50,000	8" Line End

NOTE: For quoting/ordering instructions, see Assemblies section.

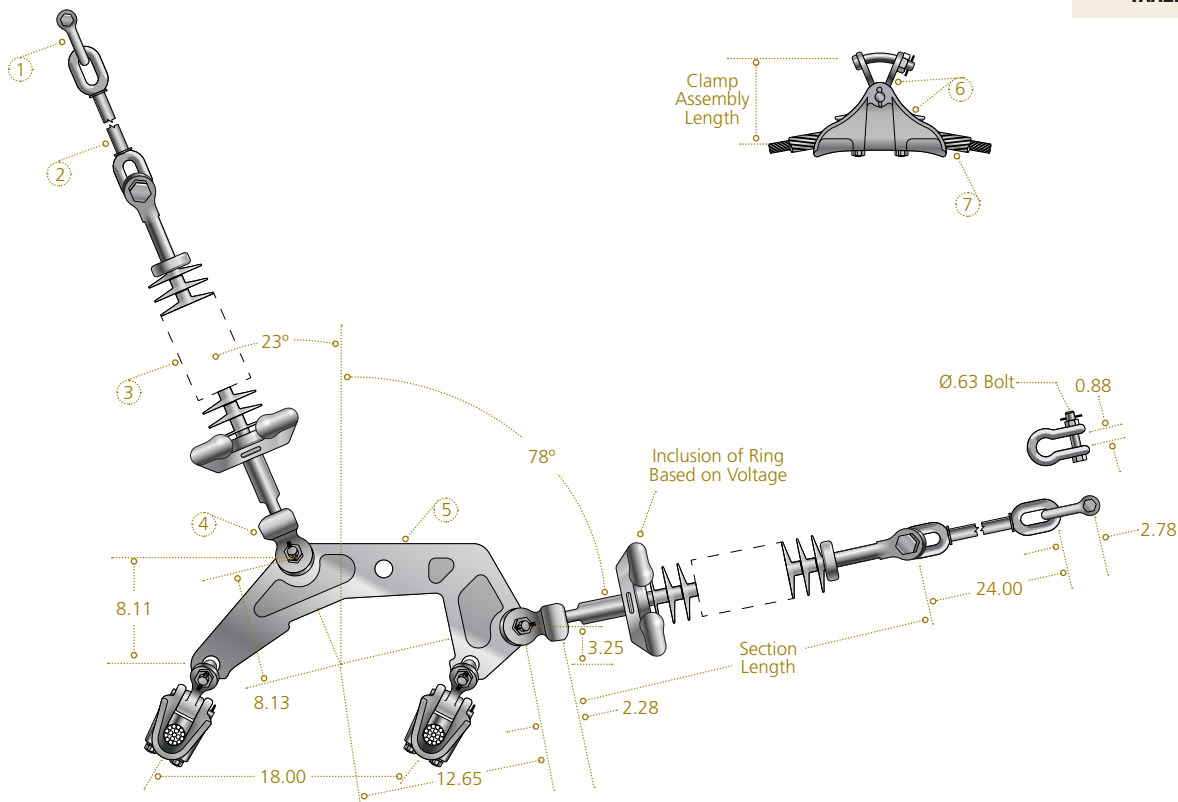
- (1) See Suspension Clamp section for standard and high temperature conductor suspension clamp options.
- (2) See Armor Rod section for rod set based on conductor application.

Angle Suspension, 2-Bundle Conductor

Angle V 30k lb Assembly, 138kV - 230kV

ASSEMBLY

TAA22CVN



Base Assembly Bill of Material

Item	Part Number	Description	Quantity	Material	UBS lb
1	AS25LBNKCVN	Anchor Shackle	2	Forged Steel	30,000
2	H003024CVN	Oval Eye Ext. Link (24")	2	Forged Steel	30,000
3	See Chart	Insulator, ANSI 52-5	2	Polymer	—
4	SYC133	Socket Y-Clevis	2	Forged Steel	30,000
5	YPC30174241CVN	Yoke Plate	1	Cut Steel	30,000
6	See Note 1	Suspension Clamp w/Y-Clevis Eye	2	Aluminum	—
7	See Note 2	Armor Rods	2	Aluminum	—

Typical Insulator Selection

Line Voltage (kV)	Quadri*Sil® Part Number	Section Length Inches	SML lb	Corona Ring
138	S030043S2010	54.9	30,000	—
161	S030056S2010	67.8	30,000	—
230	S030073S201A	85.1	30,000	8" Line End

NOTE: For quoting/ordering instructions, see Assemblies section.

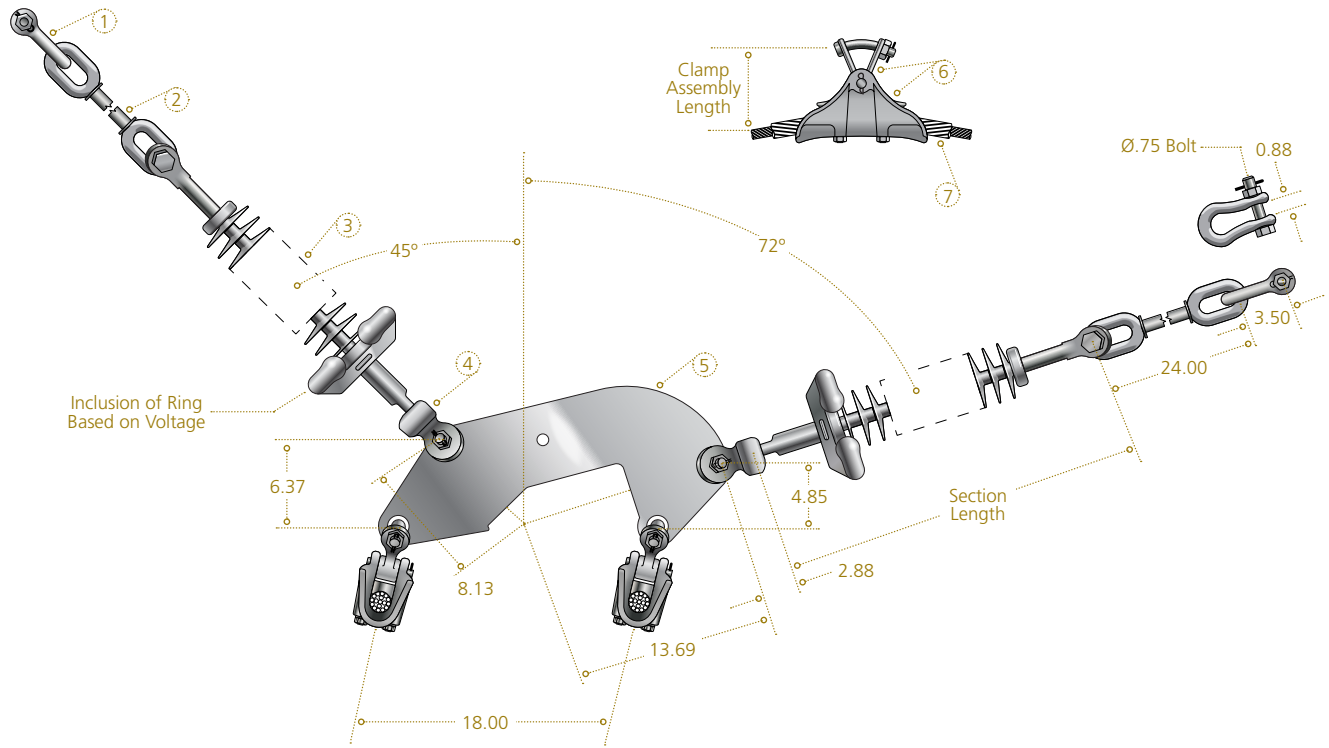
- (1) See Suspension Clamp section for standard and high temperature conductor suspension clamp options.
- (2) See Armor Rod section for rod set based on conductor application.

Angle Suspension, 2-Bundle Conductor

Angle V 50k lb Assembly, 138kV - 230kV

ASSEMBLY

TAA22CVN



Base Assembly Bill of Material

Item	Part Number	Description	Quantity	Material	UBS lb
1	AS50BNKCVN	Anchor Shackle	2	Forged Steel	60,000
2	H005024CVN	Oval Eye Ext. Link (24")	2	Forged Steel	60,000
3	See Chart	Insulator, ANSI 52-11	2	Polymer	—
4	SYC50CVN	Socket Y-Clevis	2	Forged Steel	50,000
5	945834005CVN	Yoke Plate	1	Cut Steel	50,000
6	See Note 1	Suspension Clamp w/Y-Clevis Eye	2	Aluminum	—
7	See Note 2	Armor Rods	2	Aluminum	—

Typical Insulator Selection

Line Voltage (kV)	Quadri*Sil® Part Number	Section Length Inches	SML lb	Corona Ring
138	S050043S2010	57.3	50,000	—
161	S050056S2010	70.3	50,000	—
230	S050073S201A	87.6	50,000	8" Line End

NOTE: For quoting/ordering instructions, see Assemblies section.

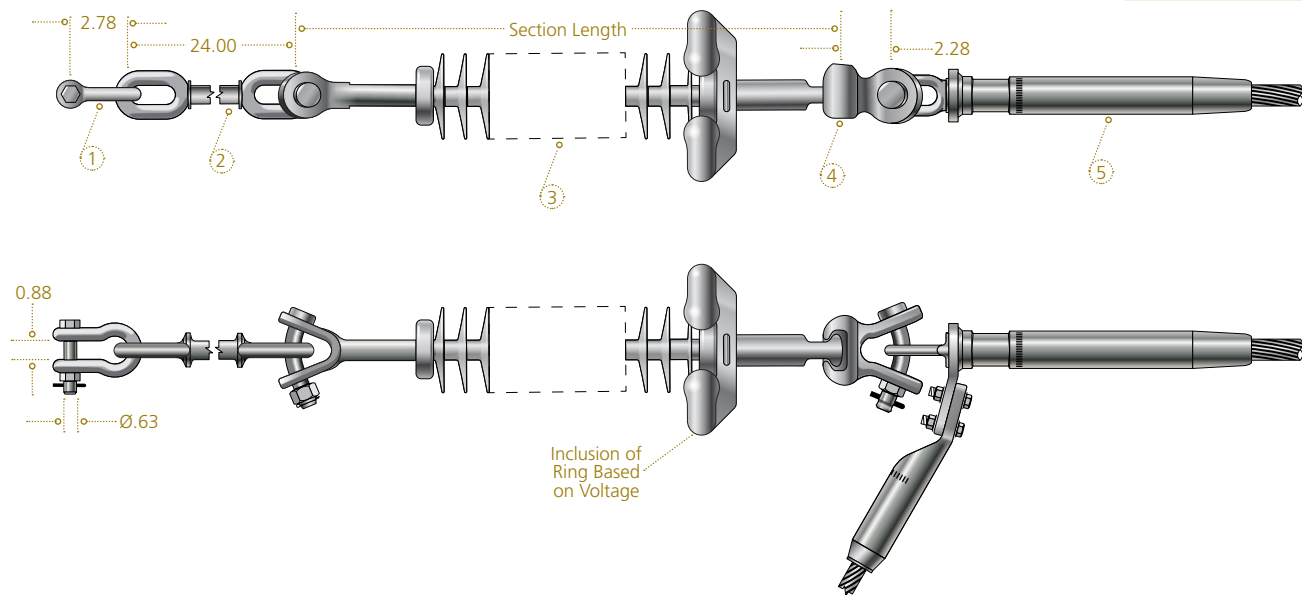
- (1) See Suspension Clamp section for standard and high temperature conductor suspension clamp options.
- (2) See Armor Rod section for rod set based on conductor application.

Deadend, Single Conductor

Single Insulator 30k lb Assembly, 69kV - 230kV

ASSEMBLY

TAD11CVN



Base Assembly Bill of Material

Item	Part Number	Description	Quantity	Material	UBS lb
1	AS25LBNKCVN	Anchor Shackle	1	Forged Steel	30,000
2	H003024CVN	Oval Eye Ext. Link (24")	1	Forged Steel	30,000
3	See Chart	Insulator, ANSI 52-5	1	Polymer	—
4	SYC133	Socket Y-Clevis	1	Forged Steel	30,000
5	See Note 1	Compression Deadend w/Terminal	1	Aluminum	Full Tension

Typical Insulator Selection

Line Voltage (kV)	Quadri*Sil® Part Number	Section Length Inches	SML lb	Corona Ring
69	S030023S2010	35.4	30,000	—
115	S030036S20100	48.4	30,000	—
138	S030043S2010	54.9	30,000	—
161	S030056S2010	67.8	30,000	—
230	S030073S201A	85.1	30,000	8" Line End

NOTE: For quoting/ordering instructions, see Assemblies section.

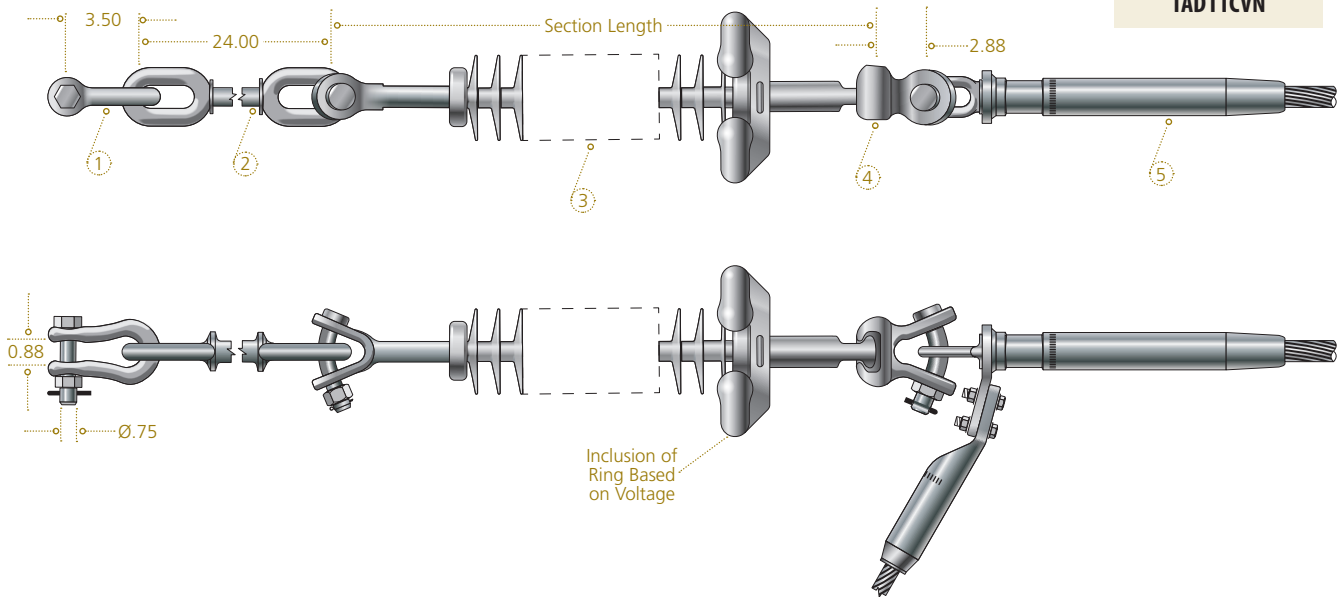
(1) See Uni-Grip Compression Deadends section for standard conductor compression deadend options.

Deadend, Single Conductor

Single Insulator 50k lb Assembly, 69kV - 230kV

ASSEMBLY

TAD11CVN



Base Assembly Bill of Material

Item	Part Number	Description	Quantity	Material	UBS lb
1	AS50BNKCVN	Anchor Shackle	1	Forged Steel	60,000
2	H005024CVN	Oval Eye Ext. Link (24")	1	Forged Steel	60,000
3	See Chart	Insulator, ANSI 52-11	1	Polymer	—
4	SYC50CVN	Socket Y-Clevis	1	Forged Steel	50,000
5	See Note 1	Compression Deadend w/Terminal	1	Aluminum	Full Tension

Typical Insulator Selection

Line Voltage (kV)	Quadri*Sil® Part Number	Section Length Inches	SML lb	Corona Ring
69	S050023S2010	37.9	50,000	—
115	S050036S2010	50.8	50,000	—
138	S050043S2010	57.3	50,000	—
161	S050056S2010	70.3	50,000	—
230	S050073S201A	87.6	50,000	8" Line End

NOTE: For quoting/ordering instructions, see Assemblies section.

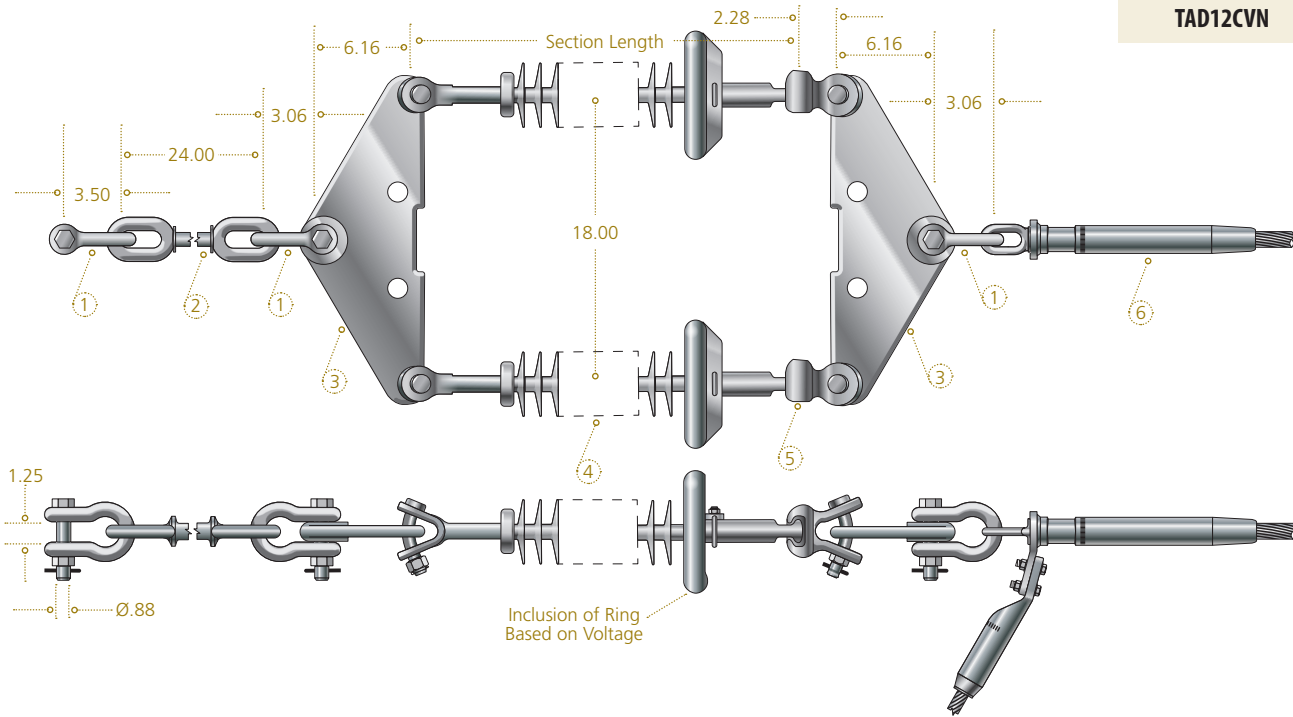
(1) See Uni-Grip Compression Deadends section for standard conductor compression deadend options.

Deadend, Single Conductor

Double Insulator 30k lb Assembly, 69kV - 230kV

ASSEMBLY

TAD12CVN



Base Assembly Bill of Material

Item	Part Number	Description	Quantity	Material	UBS lb
1	ASS0WBNKCVN	Anchor Shackle	3	Forged Steel	60,000
2	H005024CVN	Oval Eye Ext. Link (24")	1	Forged Steel	60,000
3	YPD60183771CVN	Yoke Plate	2	Cut Steel	60,000
4	See Chart	Insulator, ANSI 52-5	2	Polymer	—
5	SYC133	Socket Y-Clevis	2	Forged Steel	30,000
6	See Note 1	Compression Deadend w/Terminal	1	Aluminum	Full Tension

Typical Insulator Selection

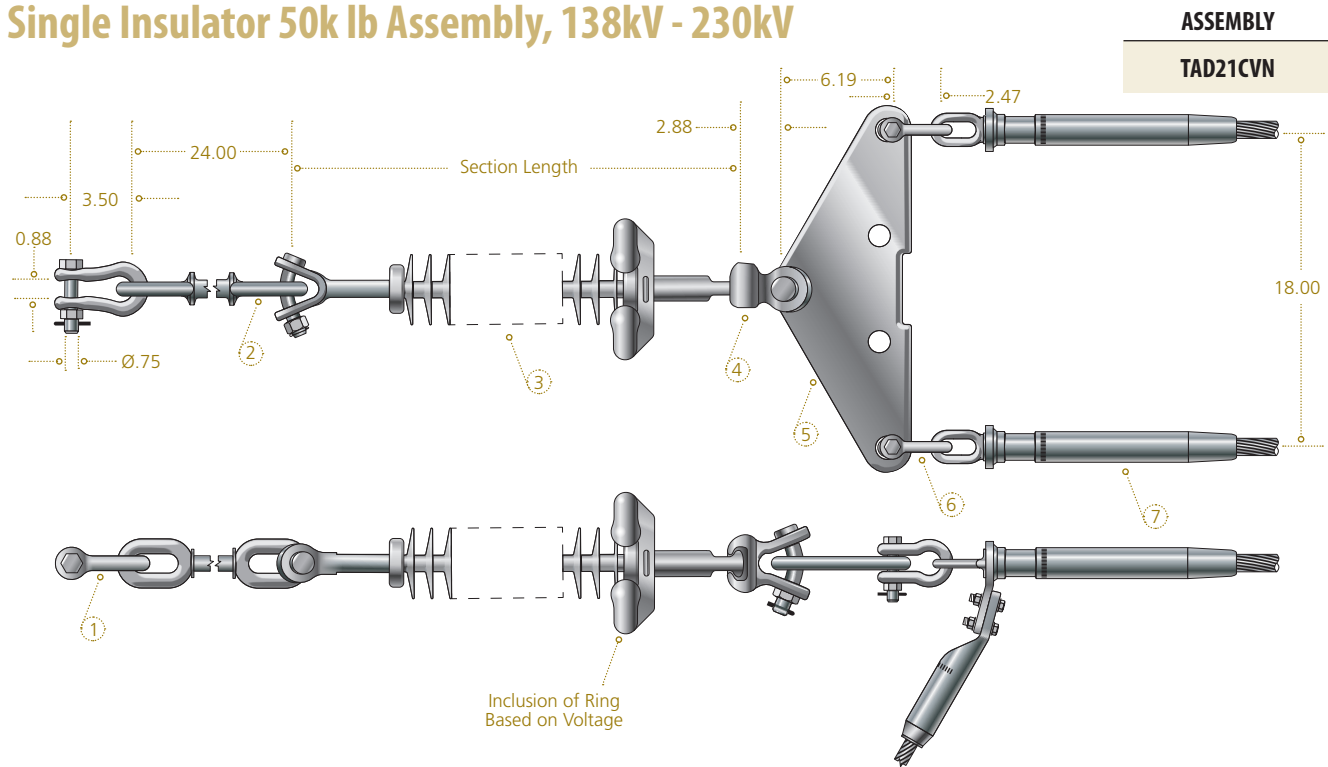
69	S030023S2010	35.4	30,000	—
115	S030036S2010	48.4	30,000	—
138	S030043S2010	54.9	30,000	—
161	S030056S2010	67.8	30,000	—
230	S030073S201A	85.1	30,000	8" Line End

NOTE: For quoting/ordering instructions, see Assemblies section.

(1) See Uni-Grip Compression Deadends section for standard conductor compression deadend options.

Deadend, 2-Bundle Conductor

Single Insulator 50k lb Assembly, 138kV - 230kV



Base Assembly Bill of Material

Item	Part Number	Description	Quantity	Material	UBS lb
1	AS50BNKCVN	Anchor Shackle	1	Forged Steel	60,000
2	H005024CVN	Oval Eye Ext. Link (24")	1	Forged Steel	60,000
3	See Chart	Insulator, ANSI 52-11	1	Polymer	—
4	SYC50CVN	Socket Y-Clevis	1	Forged Steel	50,000
5	YPD50185491CVN	Yoke Plate	1	Cut Steel	50,000
6	AS25LBNKCVN	Anchor Shackle	2	Forged Steel	30,000
7	See Note 1	Compression Deadend w/Terminal	2	Aluminum	Full Tension

Typical Insulator Selection

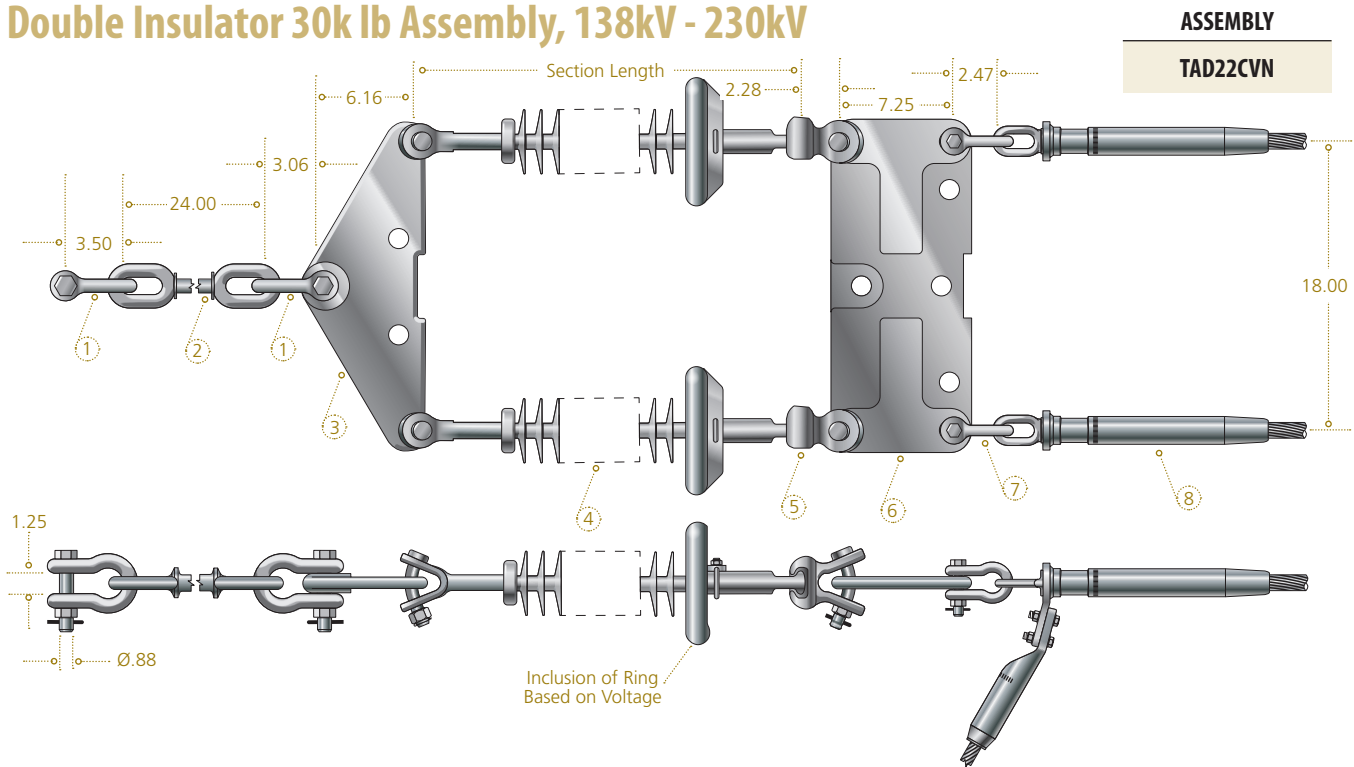
Line Voltage (kV)	Quadri*Sil® Part Number	Section Length Inches	SML lb	Corona Ring
138	S050043S2010	57.3	50,000	—
161	S050056S2010	70.3	50,000	—
230	S050073S201A	87.6	50,000	8" Line End

NOTE: For quoting/ordering instructions, see Assemblies section.

(1) See Uni-Grip Compression Deadends section for standard conductor compression deadend options.

Deadend, 2-Bundle Conductor

Double Insulator 30k lb Assembly, 138kV - 230kV



Base Assembly Bill of Material

Item	Part Number	Description	Quantity	Material	UBS lb
1	AS50WBNKCVN	Anchor Shackle	2	Forged Steel	60,000
2	H005024CVN	Oval Eye Ext. Link (24")	1	Forged Steel	60,000
3	YPD60183771VCN	Yoke Plate	1	Cut Steel	60,000
4	See Chart	Insulator, ANSI 52-5	2	Polymer	—
5	SYC133	Socket Y-Clevis	2	Forged Steel	30,000
6	YPR30187221CVN	Yoke Plate	1	Cut Steel	30,000
7	AS25LBNK	Anchor Shackle	2	Forged Steel	30,000
8	See Note 1	Compression Deadend w/Terminal	2	Aluminum	Full Tension

Typical Insulator Selection

Line Voltage (kV)	Quadri*Sil® Part Number	Section Length Inches	SML lb	Corona Ring
138	S030043S2010	54.9	30,000	—
161	S030056S2010	67.8	30,000	—
230	S030073S201A	85.1	30,000	8" Line End

NOTE: For quoting/ordering instructions, see Assemblies section.

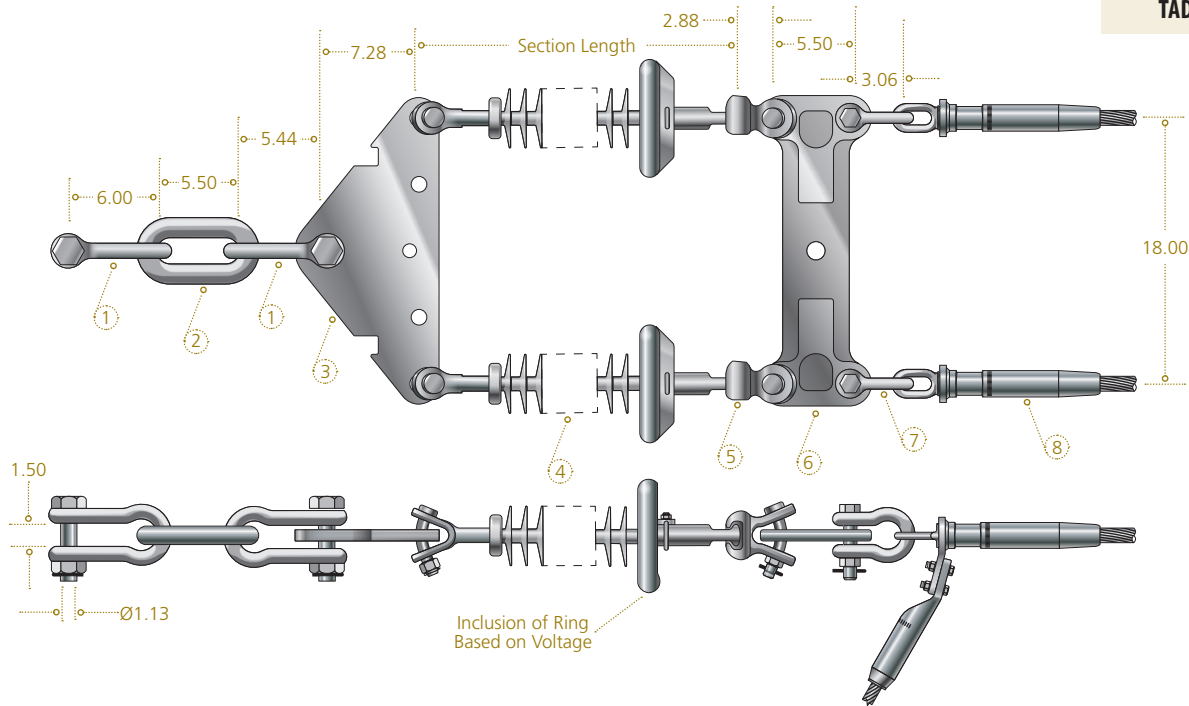
(1) See Uni-Grip Compression Deadends section for standard conductor compression deadend options.

Deadend, 2-Bundle Conductor

Double Insulator 50k lb Assembly, 138kV - 230kV

ASSEMBLY

TAD22CVN



Base Assembly Bill of Material

Item	Part Number	Description	Quantity	Material	UBS lb
1	974153001CVN	Anchor Shackle	2	Forged Steel	120,000
2	LK120CVN	Chain Link	1	Forged Steel	150,000
3	947604006CVN	Yoke Plate	1	Cut Steel	100,000
4	See Chart	Insulator, ANSI 52-11	2	Polymer	50,000
5	SYC50CVN	Socket Y-Clevis	2	Forged Steel	50,000
6	YPR50190508CVN	Yoke Plate	1	Cut Steel	50,000
7	AS50WBNKCVN	Anchor Shackle	2	Forged Steel	60,000
8	See Note 1	Compression Deadend w/Terminal	2	Aluminum	Full Tension

Typical Insulator Selection

Line Voltage (kV)	Quadri*Sil® Part Number	Section Length Inches	SML lb	Corona Ring
138	S050043S2010	57.3	50,000	—
161	S050056S2010	70.3	50,000	—
230	S050073S201A	87.6	50,000	8" Line End

NOTE: For quoting/ordering instructions, see Assemblies section.

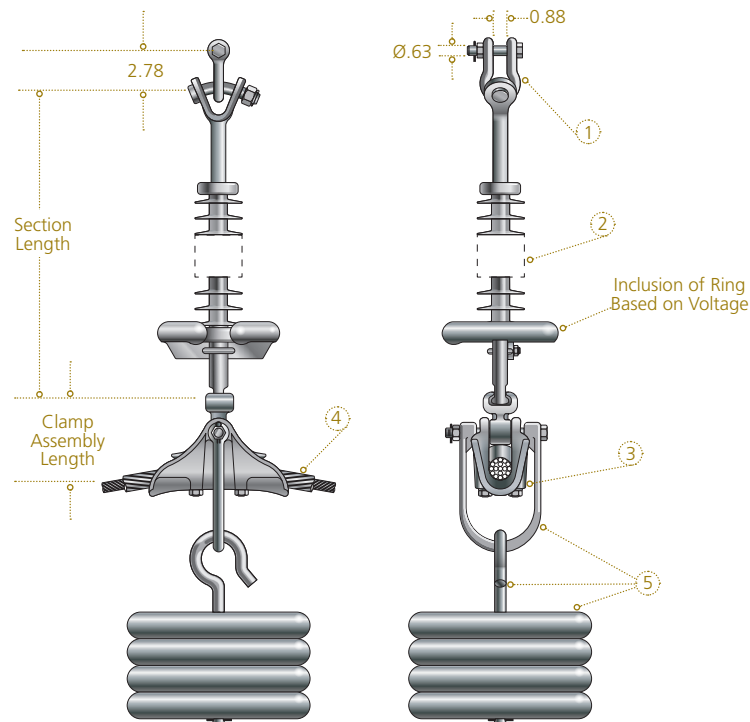
(1) See Uni-Grip Compression Deadends section for standard conductor compression deadend options.

Jumper Suspension, Single Conductor

Single Insulator with Weights 30k lb Assembly, 69kV - 230kV

ASSEMBLY

TAJ11CVN



Base Assembly Bill of Material

Item	Part Number	Description	Quantity	Material	UBS lb
1	AS25LBNKCVN	Anchor Shackle	1	Forged Steel	30,000
2	See Chart	Insulator, ANSI 52-5	1	Polymer	—
3	See Note 1	Suspension Clamp w/Socket	1	Aluminum	—
4	See Note 2	Armor Rods	1	Aluminum	—
5	See Note 3	Hold Down Shackle w/Weights	1	Ductile Iron	10,000

Typical Insulator Selection

Line Voltage (kV)	Quadri*Sil® Part Number	Section Length Inches	SML lb	Corona Ring
69	S030023S2010	35.4	30,000	—
115	S030036S2010	48.4	30,000	—
138	S030043S2010	54.9	30,000	—
161	S030056S2010	67.8	30,000	—
230	S030073S201A	85.1	30,000	8" Line End

NOTE: For quoting/ordering instructions, see Assemblies section.

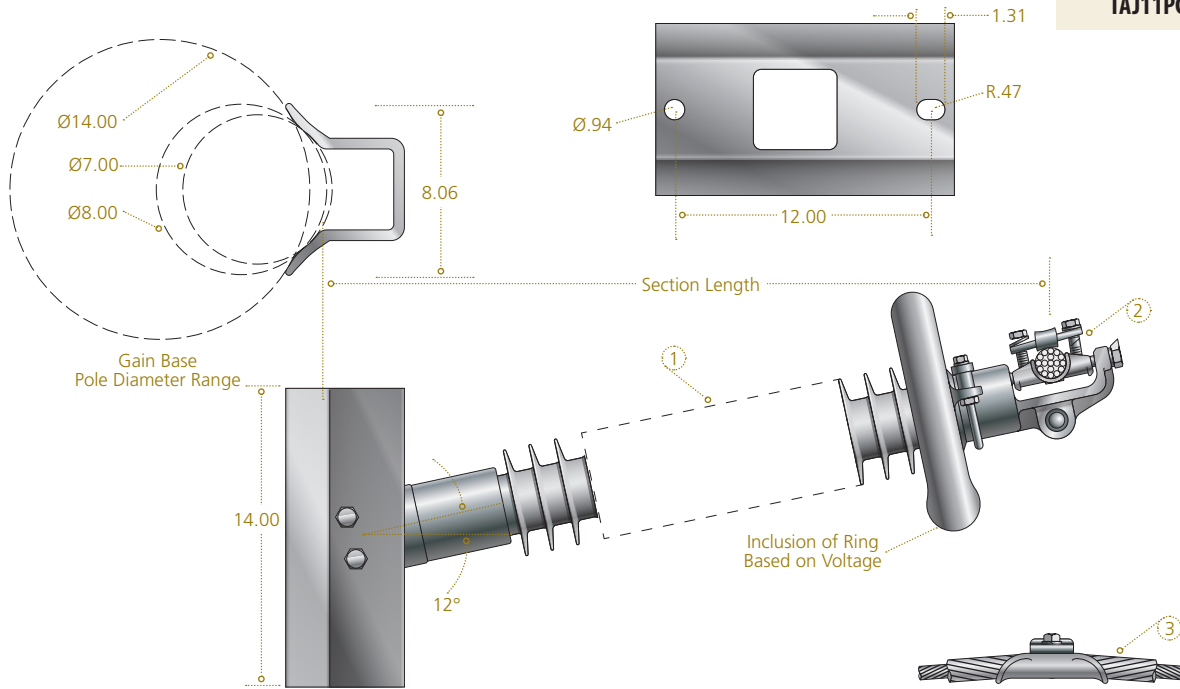
- (1) See Suspension Clamp section for standard and high temperature conductor suspension clamp options.
Contact HPS for armor rod recommendations.
- (2) See Armor Rod section for rod set based on conductor application.
- (3) See Hardware Fittings section for hold down shackle, weights and hardware options.

Jumper Support, Single Conductor

2.5" Post (Horizontal) Insulator Assembly, 69kV - 230kV

ASSEMBLY

TAJ11PCVN



Base Assembly Bill of Material

Item	Part Number	Description	Quantity	Material	UBS lb
1	See Chart	Insulator Post	1	Polymer	—
2	See Note 1	Trunnion Clamp	1	Aluminum	2,800
3	See Note 2	Armor Rods	1	Aluminum	—

Typical Insulator Selection

Line Voltage (kV)	Quadri*Sil® Part Number	Section Length Inches	RCL lb	Corona Ring
69	P250024S1020	37.7	2,500	—
115	P250036S1020	49.5	1,880	—
138	P250043S1020	56.6	1,600	—
161	P250058S1020	70.8	1,235	—
230	P250070S102A	82.6	1,040	12" Line End

NOTE: RCL is 50% of the ultimate cantilever load capacity.
Maximum design tension load rating is 2,500 lb.

For quoting/ordering instructions, see Assemblies section.

- (1) See Suspension Clamp section for standard and high temperature conductor trunnion clamp options.
- (2) See Armor Rod section for rod set based on conductor application.

Jumper Support, 2-Bundle Conductor

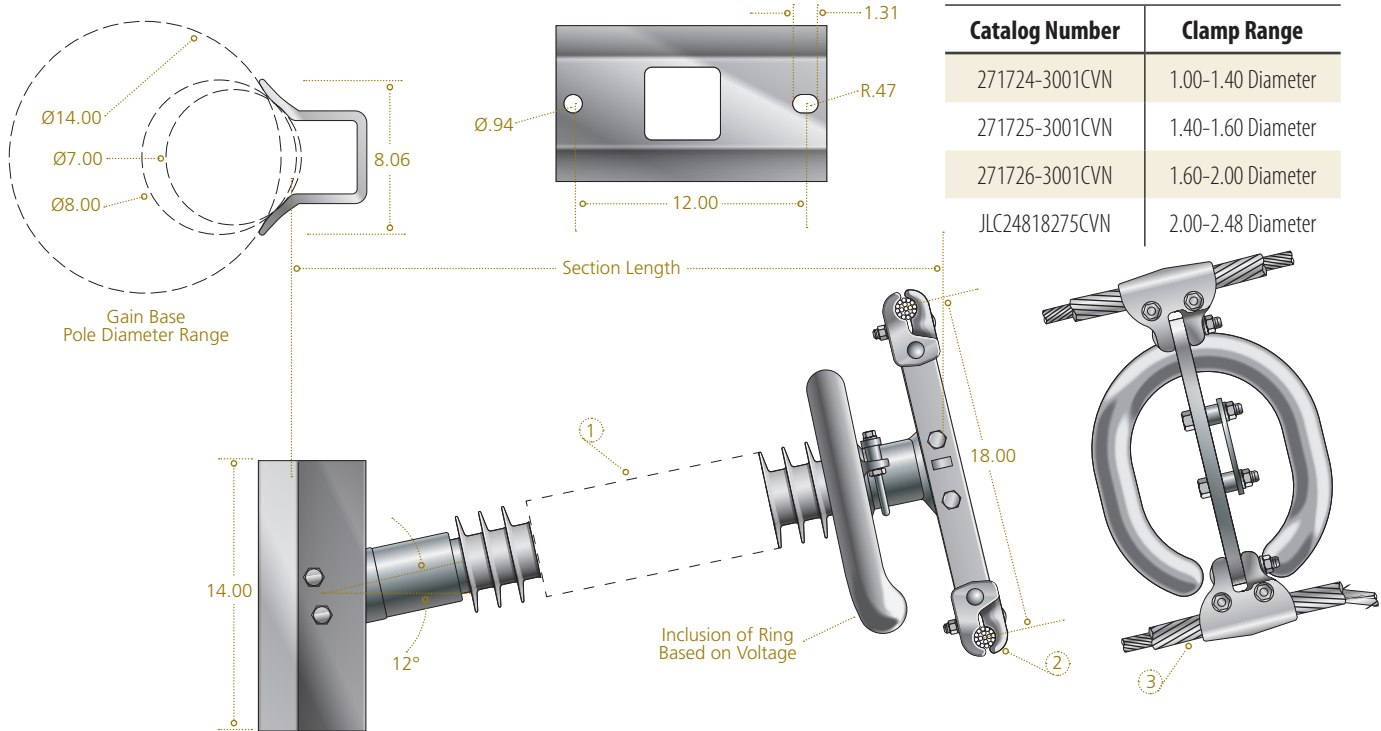
2.5" Post (Horizontal) Insulator Assembly, 138kV - 230kV

ASSEMBLY

TAJ21PCVN

Jumper Clamp Assembly

Catalog Number	Clamp Range
271724-3001CVN	1.00-1.40 Diameter
271725-3001CVN	1.40-1.60 Diameter
271726-3001CVN	1.60-2.00 Diameter
JLC24818275CVN	2.00-2.48 Diameter



Base Assembly Bill of Material

Item	Part Number	Description	Quantity	Material	UBS lb
1	See Chart	Insulator, Post	1	Polymer	—
2	See Chart	Jumper Clamp Assembly	1	Steel/Aluminum	5,000
3	See Note 1	Armor Rods	2	Aluminum	—

Typical Insulator Selection

Line Voltage (kV)	Quadri*Sil® Part Number	Section Length Inches	RCL lb	Corona Ring
138	P250043S0020	55.9	1,625	—
161	P250058S0020	70.1	1,250	—
230	P250070S002A	81.9	1,050	12" Line End

NOTE: RCL is 50% of the ultimate cantilever load capacity.

Maximum design tension load rating is 7,500 lb.

For quoting/ordering instructions, see Assemblies section.

(1) See Armor Rod section for rod set based on conductor application.

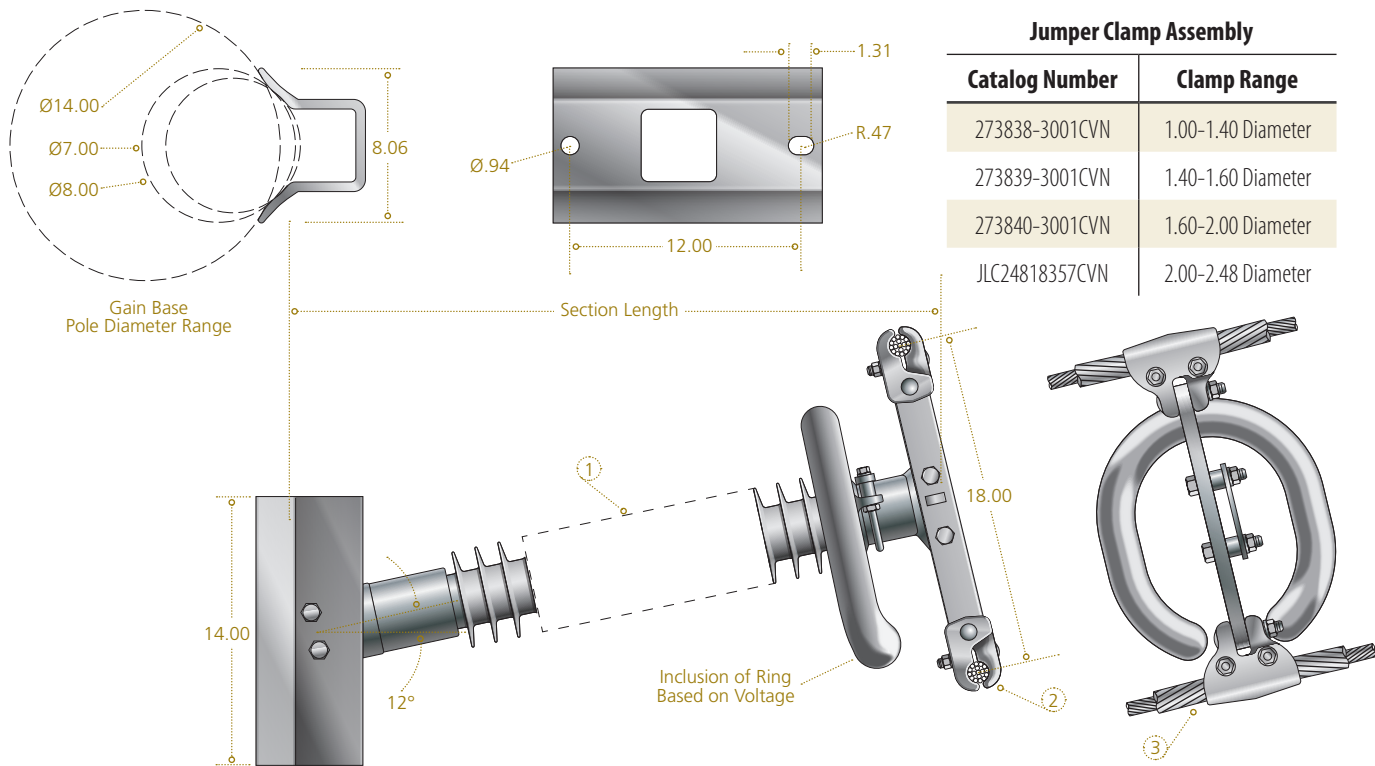
(2) Jumper Clamp Assembly with "CVN" suffix will be supplied with hardware galvanized per CSA G164.

Jumper Support, 2-Bundle Conductor

3" Post (Horizontal) Insulator Assembly, 138kV - 230kV

ASSEMBLY

TAJ21PCVN



Jumper Clamp Assembly

Catalog Number	Clamp Range
273838-3001CVN	1.00-1.40 Diameter
273839-3001CVN	1.40-1.60 Diameter
273840-3001CVN	1.60-2.00 Diameter
JLC24818357CVN	2.00-2.48 Diameter

Base Assembly Bill of Material

Item	Part Number	Description	Quantity	Material	UBS lb
1	See Chart	Insulator, Post	1	Polymer	—
2	See Chart	Jumper Clamp Assembly	1	Steel/Aluminum	5,000
3	See Note 1	Armor Rods	2	Aluminum	—

Typical Insulator Selection

Line Voltage (kV)	Quadri*Sil® Part Number	Section Length Inches	RCL lb	Corona Ring
138	P300047S0020	59.7	2,635	—
161	P300063S0020	75.0	2,020	—
230	P300074S002A	85.6	1,740	15" Line End

NOTE: RCL is 50% of the ultimate cantilever load capacity.

Maximum design tension load rating is 12,500 lb.

For quoting/ordering instructions, see Assemblies section.

(1) See Armor Rod section for rod set based on conductor application.

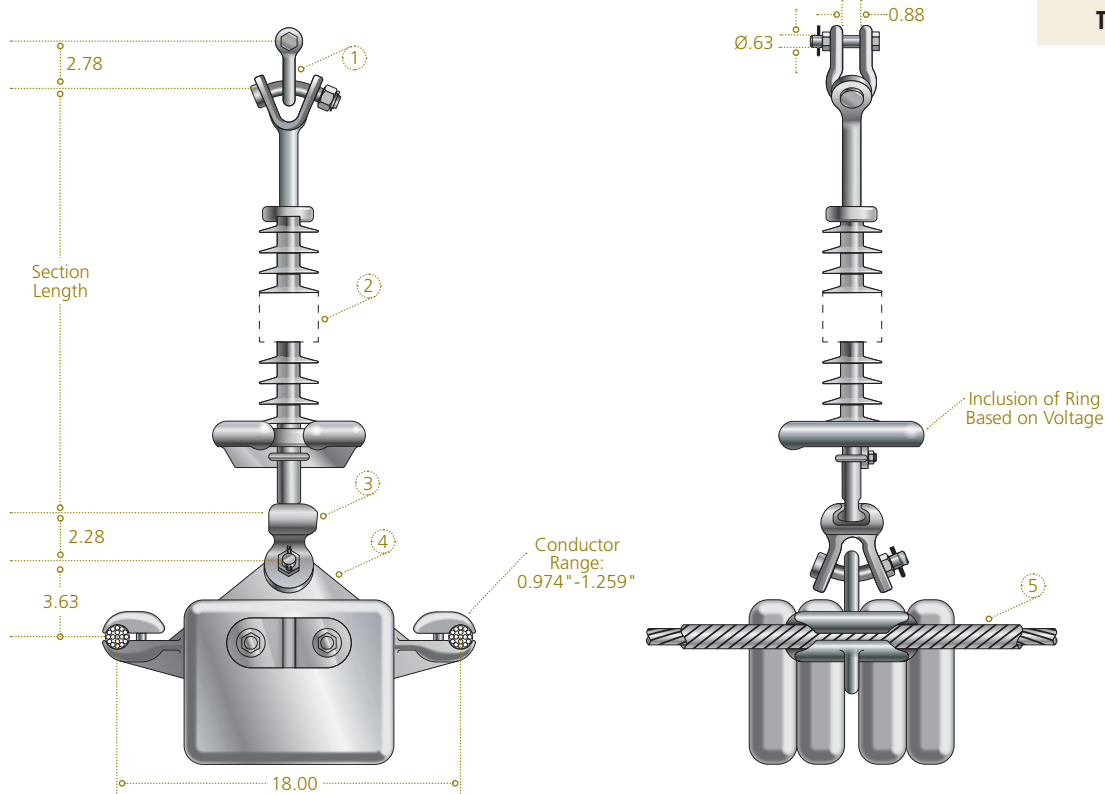
(2) Jumper Clamp Assembly with "CVN" suffix will be supplied with hardware galvanized per CSA G164.

Jumper Support, 2-Bundle Conductor

Single Insulator with Weights 30k lb Assembly, 138kV - 230kV

ASSEMBLY

TAJ21CVN



Base Assembly Bill of Material

Item	Part Number	Description	Quantity	Material	UBS lb
1	AS25LBNKCVN	Anchor Shackle	1	Forged Steel	30,000
2	See Chart	Insulator, ANSI 52-5	1	Polymer	—
3	SYC133	Socket Y-Clevis	1	Forged Steel	30,000
4	YPJ21018215200CVN See Note 1	Jumper Yoke w/Weights	1	Aluminum	10,000
5	See Note 2	Armor Rods	1	Aluminum	—

Typical Insulator Selection

Line Voltage (kV)	Quadri*Sil® Part Number	Section Length Inches	SML lb	Corona Ring
138	S030043S2010	54.9	30,000	—
161	S030056S2010	67.8	30,000	—
230	S030073S201A	85.1	30,000	8" Line End

NOTE: For quoting/ordering instructions, see Assemblies section.

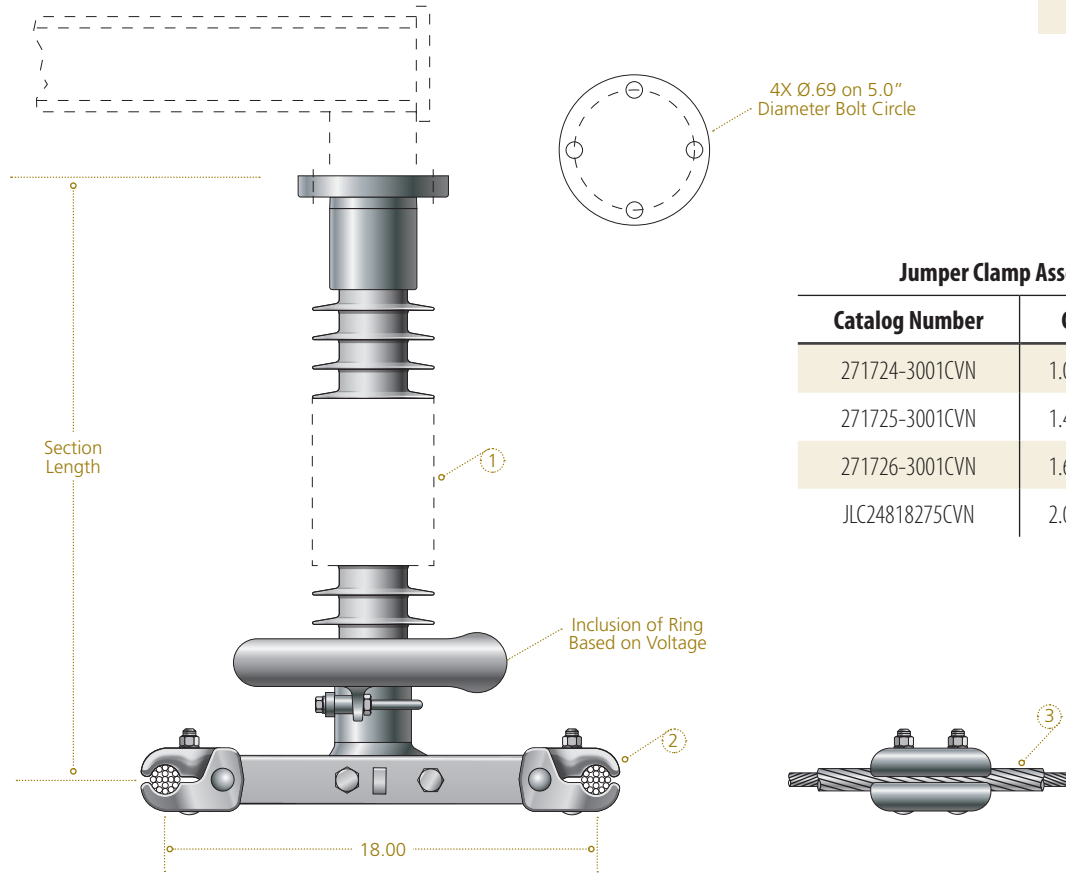
- (1) For jumper yokes with other conductor ranges or different amounts of weight, please contact HPS.
- (2) See Armor Rod section for rod set based on conductor application.

Jumper Support, 2-Bundle Conductor

2.5" Post (Vertical) Insulator Assembly, 138kV - 230kV

ASSEMBLY

TAJ21PCVN



Jumper Clamp Assembly

Catalog Number	Clamp Range
271724-3001CVN	1.00-1.40 Diameter
271725-3001CVN	1.40-1.60 Diameter
271726-3001CVN	1.60-2.00 Diameter
JLC24818275CVN	2.00-2.48 Diameter

Base Assembly Bill of Material

Item	Part Number	Description	Quantity	Material	UBS lb
1	See Chart	Insulator Post	1	Polymer	—
2	See Chart	Jumper Clamp Assembly	1	Steel/ Aluminum	5,000
3	See Note 1	Armor Rods	2	Aluminum	—

Typical Insulator Selection

Line Voltage (kV)	Quadri*Sil® Part Number	Section Length Inches	RCL lb	Corona Ring
138	P250043S5300	53.2	1,625	—
161	P250058S5300	67.8	1,250	—
230	P250070S530A	79.8	1,050	12" Line End

NOTE: RCL is 50% of the ultimate cantilever load capacity.
Maximum design tension load rating is 7,500 lb.

For quoting/ordering instructions, see Assemblies section.

(1) See Armor Rod section for rod set based on conductor application.

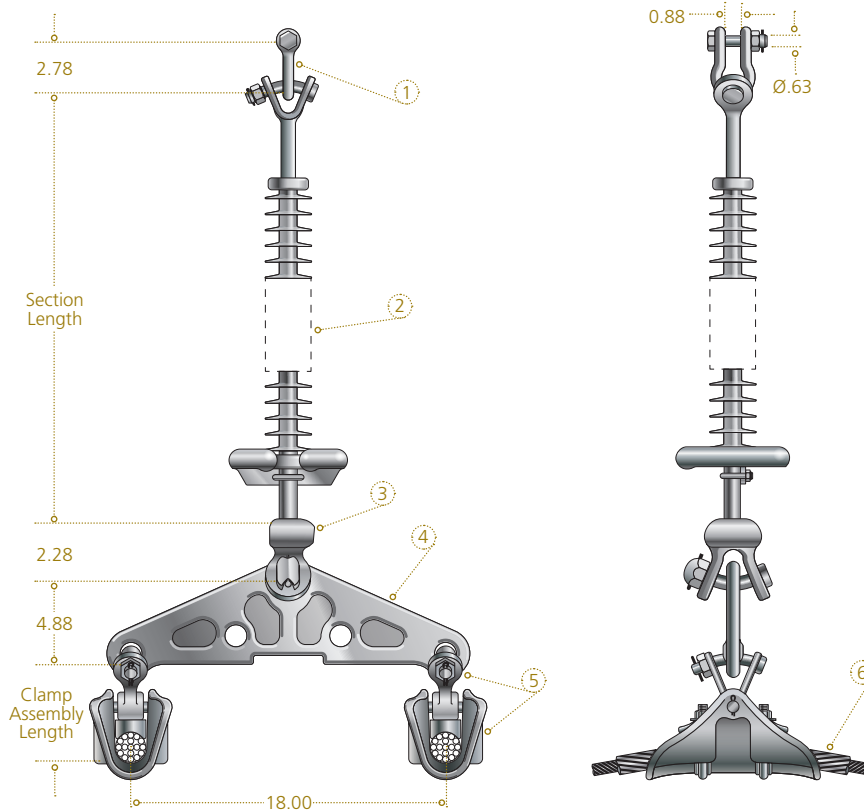
(2) Jumper Clamp Assembly with "CVN" suffix will be supplied with hardware galvanized per CSA G164.

EHV Tangent Suspension, 2-Bundle Conductor

Single-String 30k lb Assembly, 230kV - 345kV

ASSEMBLY

TAT21CVN



Base Assembly Bill of Material

Item	Part Number	Description	Quantity	Material	UBS lb
1	AS25LBNKCVN	Anchor Shackle	1	Forged Steel	30,000
2	See Chart	Insulator, ANSI 52-5	1	Polymer	—
3	SYC133SN	Socket Y-Clevis	1	Forged Steel	30,000
4	YPD30184373CVN	Yoke Plate	1	Cut Steel	30,000
5	See Note 1	Suspension Clamp w/Y-Clevis Eye	2	Aluminum	—
6	See Note 2	Armor Rods	2	Aluminum	—

Typical Insulator Selection

Line Voltage (kV)	Quadri*Sil® Part Number	Section Length Inches	SML lb	Corona Ring
230	S030073S201A	85.1	30,000	8" Line End
345	S030103S201B	115.3	30,000	12" Line End

NOTE: For quoting/ordering instructions, see Assemblies section.

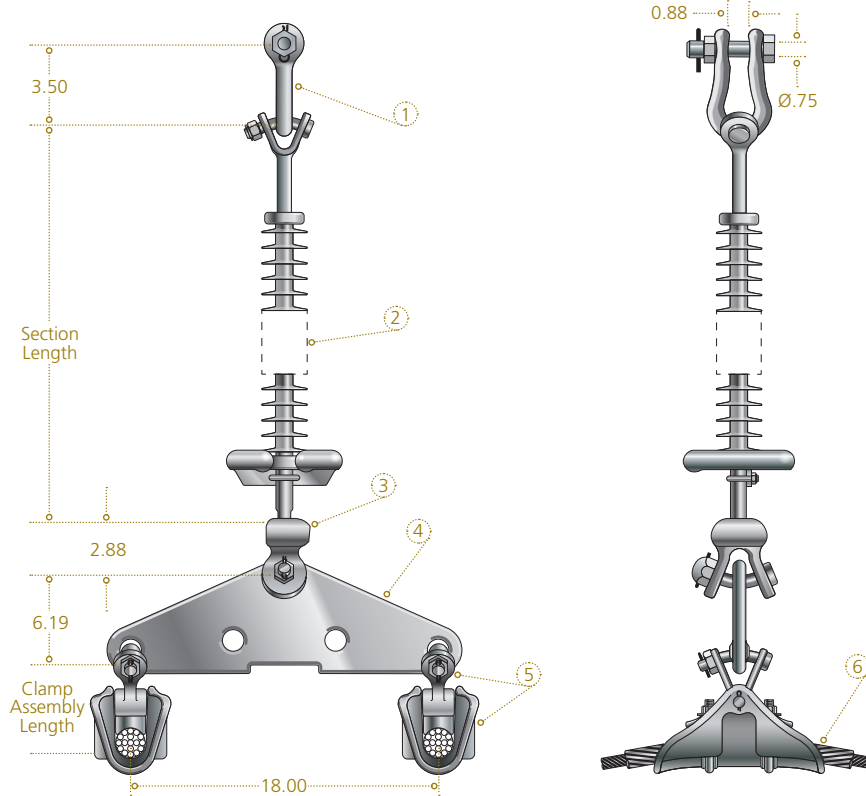
- (1) See Suspension Clamp section for standard and high temperature conductor suspension clamp options.
- (2) See Armor Rod section for rod set based on conductor application.

EHV Tangent Suspension, 2-Bundle Conductor

Single-String 50k lb Assembly, 230kV - 345kV

ASSEMBLY

TAT21CVN



Base Assembly Bill of Material

Item	Part Number	Description	Quantity	Material	UBS lb
1	AS50BNKCVN	Anchor Shackle	1	Forged Steel	60,000
2	See Chart	Insulator, ANSI 52-11	1	Polymer	—
3	SYC50SNCVN	Socket Y-Clevis	1	Forged Steel	50,000
4	YPD50185491CVN	Yoke Plate	1	Cut Steel	50,000
5	See Note 1	Suspension Clamp w/Y-Clevis Eye	2	Aluminum	—
6	See Note 2	Armor Rods	2	Aluminum	—

Typical Insulator Selection

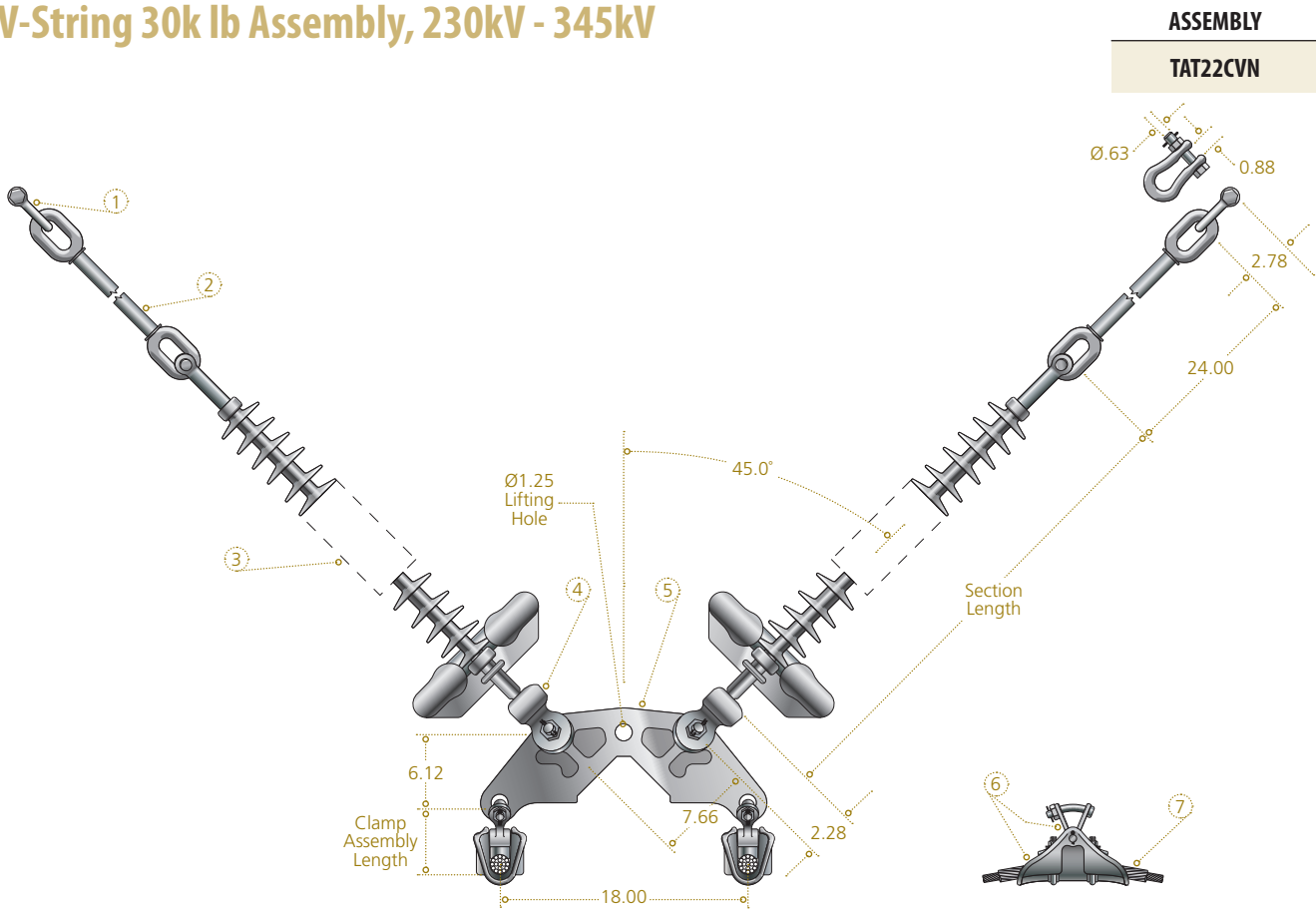
Line Voltage (kV)	Quadri*Sil® Part Number	Section Length Inches	SML lb	Corona Ring
230	S050073S201A	87.6	50,000	8" Line End
345	S050103S201B	117.8	50,000	12" Line End

NOTE: For quoting/ordering instructions, see Assemblies section.

- (1) See Suspension Clamp section for standard and high temperature conductor suspension clamp options.
- (2) See Armor Rod section for rod set based on conductor application.

EHV Tangent Suspension, 2-Bundle Conductor

V-String 30k lb Assembly, 230kV - 345kV



ASSEMBLY

TAT22CVN

Base Assembly Bill of Material

Item	Part Number	Description	Quantity	Material	UBS lb
1	AS25LBNKCVN	Anchor Shackle	2	Forged Steel	30,000
2	H003024CVN	Oval Eye Ext. Link (24")	2	Forged Steel	30,000
3	See Chart	Insulator, ANSI 52-5	2	Polymer	—
4	SYC133SN	Socket Y-Clevis	2	Forged Steel	30,000
5	YPV30172592CVN	Yoke Plate	1	Cut Steel	30,000
6	See Note 1	Suspension Clamp w/Y-Clevis Eye	2	Aluminum	—
7	See Note 2	Armor Rods	2	Aluminum	—

Typical Insulator Selection

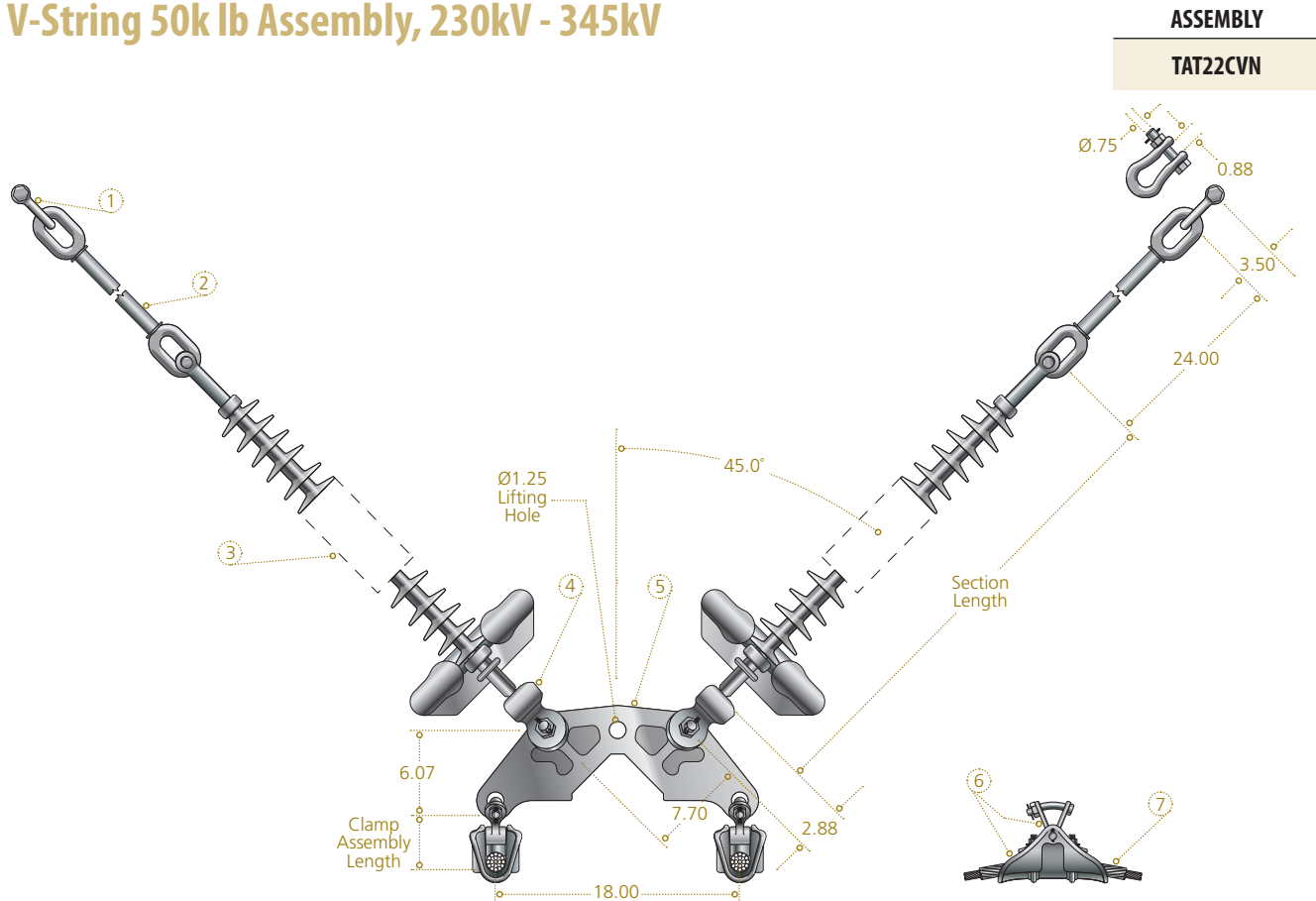
Line Voltage (kV)	Quadri*Sil® Part Number	Section Length Inches	SML lb	Corona Ring
230	S030073S201A	85.1	30,000	8" Line End
345	S030103S201B	115.3	30,000	12" Line End

NOTE: For quoting/ordering instructions, see Assemblies section.

- (1) See Suspension Clamp section for standard and high temperature conductor suspension clamp options.
- (2) See Armor Rod section for rod set based on conductor application.

EHV Tangent Suspension, 2-Bundle Conductor

V-String 50k lb Assembly, 230kV - 345kV



ASSEMBLY
TAT22CVN

Base Assembly Bill of Material

Item	Part Number	Description	Quantity	Material	UBS lb
1	AS50BNKCVN	Anchor Shackle	2	Forged Steel	60,000
2	H005024CVN	Oval Eye Ext. Link (24")	2	Forged Steel	60,000
3	See Chart	Insulator, ANSI 52-11	2	Polymer	—
4	SYC50SNCVN	Socket Y-Clevis	2	Forged Steel	50,000
5	YPV5019011CVN	Yoke Plate	1	Cut Steel	50,000
6	See Note 1	Suspension Clamp w/Y-Clevis Eye	2	Aluminum	—
7	See Note 2	Armor Rods	2	Aluminum	—

Typical Insulator Selection

Line Voltage (kV)	Quadri*Sil® Part Number	Section Length Inches	SML lb	Corona Ring
230	S050073S201A	87.6	50,000	8" Line End
345	S050103S201B	117.8	50,000	12" Line End

NOTE: For quoting/ordering instructions, see Assemblies section.

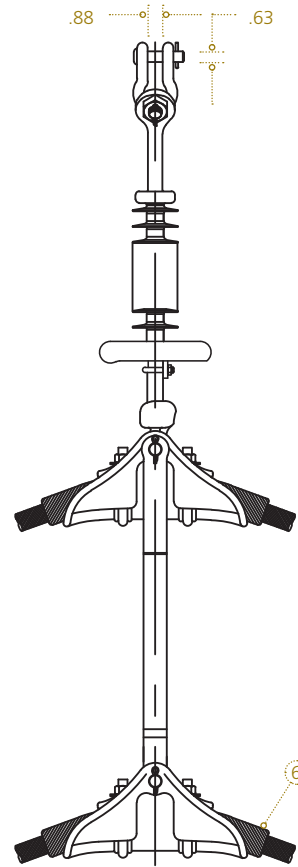
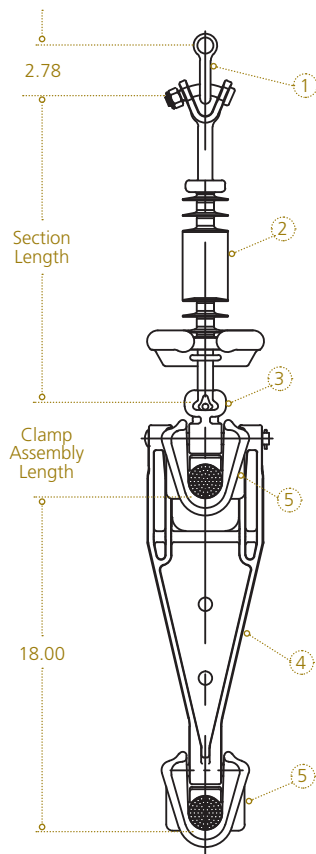
- (1) See Suspension Clamp section for standard and high temperature conductor suspension clamp options.
- (2) See Armor Rod section for rod set based on conductor application.

EHV Tangent Suspension, 2-Bundle Vertical Conductor

Single-String 30k lb Assembly, 230kV - 345kV

ASSEMBLY

TAT21WCVN



Base Assembly Bill of Material

Item	Part Number	Description	Quantity	Material	UBS lb
1	AS25LBNKCVN	Anchor Shackle	1	Forged Steel	30,000
2	See Chart	Insulator, ANSI 52-5	1	Polymer	—
3	SA16CVN	Socket Eye	1	Forged Steel	30,000
4	YPW3018218CVN	Yoke, Vertical Bungling	1	Aluminum	30,000
5	See Note 1	Suspension Clamp	2	Aluminum	—
6	See Note 2	Armor Rods	2	Aluminum	—

Typical Insulator Selection

Line Voltage (kV)	Quadri*Sil® Part Number	Section Length Inches	SML lb	Corona Ring
230	S030073S201A	85.1	30,000	8" Line End
345	S030103S201B	115.3	30,000	12" Line End

NOTE: For quoting/ordering instructions, see Assemblies section.

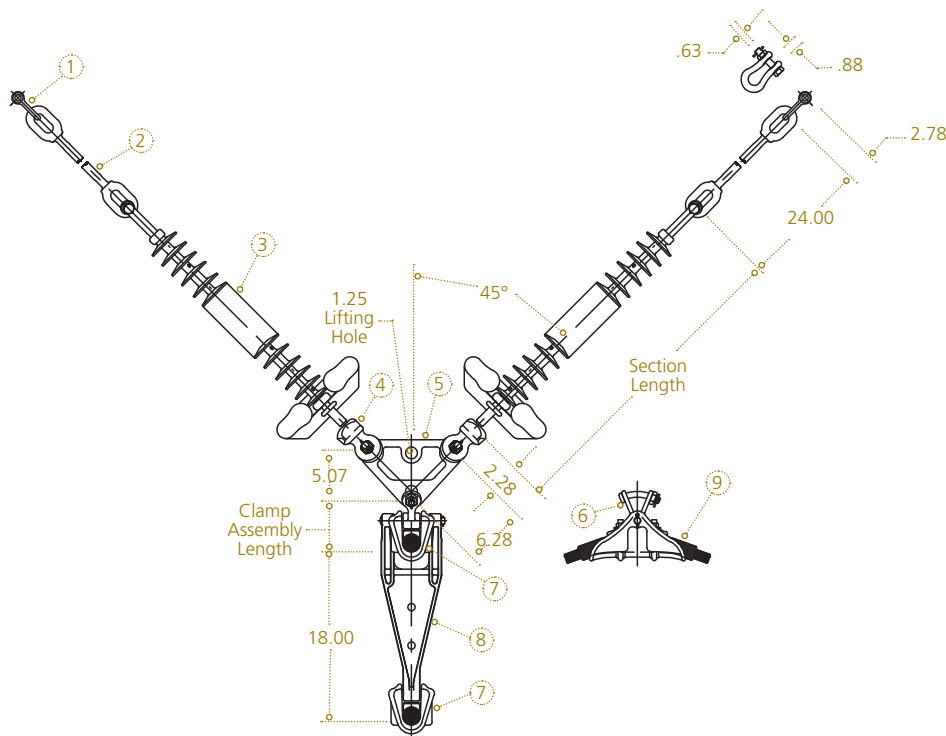
- (1) See Suspension Clamp section for standard and high temperature conductor suspension clamp options.
- (2) See Armor Rod section for rod set based on conductor application.

EHV Tangent Suspension, Double Conductor

V-String 30k lb Assembly, 230kV - 345kV

ASSEMBLY

TAT22WCVN



Base Assembly Bill of Material

Item	Part Number	Description	Quantity	Material	UBS lb
1	AS25LBNKCVN	Anchor Shackle	2	Forged Steel	30,000
2	H003024CVN	Oval Eye Ext. Link (24")	2	Forged Steel	30,000
3	See Chart	Insulator, ANSI 52-5	2	Polymer	—
4	SYC133SN	Socket Y-Clevis	2	Forged Steel	30,000
5	YPD5024685CVN	Yoke Plate	1	Cut Steel	50,000
6	YCS1690CVN	Y-Clevis Eye	1	Forged Steel	30,000
7	See Note 1	Suspension Clamp	2	Aluminum	—
8	YPW3018218CVN	Yoke, Vertical Bundling	1	Aluminum	30,000
9	See Note 2	Armor Rods	2	Aluminum	—

Typical Insulator Selection

Line Voltage (kV)	Quadri*Sil® Part Number	Section Length Inches	SML lb	Corona Ring
230	S030073S201A	85.1	30,000	8" Line End
345	S030103S201B	115.3	30,000	12" Line End

NOTE: For quoting/ordering instructions, see Assemblies section.

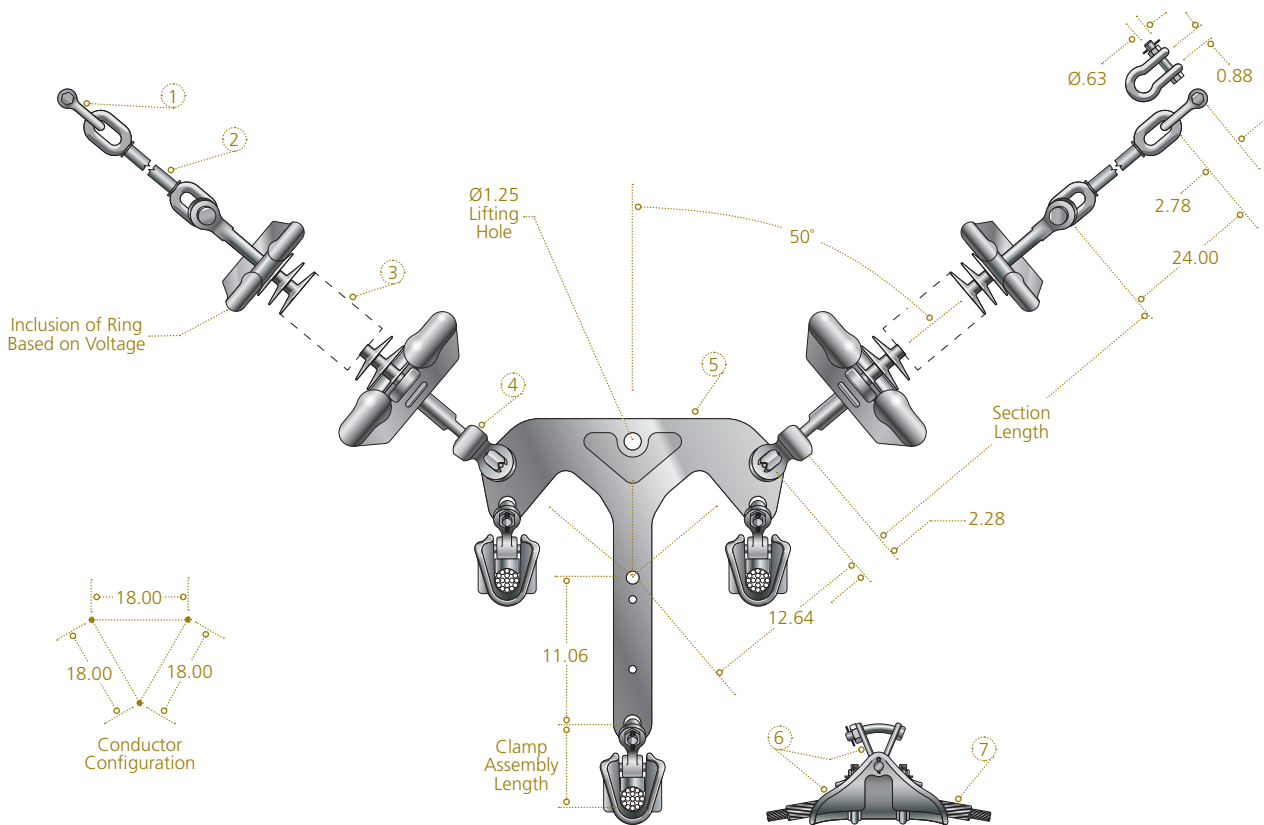
- (1) See Suspension Clamp section for standard and high temperature conductor suspension clamp options.
- (2) See Armor Rod section for rod set based on conductor application.

EHV Tangent Suspension, 3-Bundle Conductor

V-String 30k lb Assembly, 345kV - 500kV

ASSEMBLY

TAT32CVN



Base Assembly Bill of Material

Item	Part Number	Description	Quantity	Material	UBS lb
1	AS25LBNKCVN	Anchor Shackle	2	Forged Steel	30,000
2	H003024CVN	Oval Eye Ext. Link (24")	2	Forged Steel	30,000
3	See Chart	Insulator, ANSI 52-5	2	Polymer	—
4	SYC133SN	Socket Y-Clevis	2	Forged Steel	30,000
5	YPT40236673CVN	Yoke Plate	1	Cut Steel	40,000
6	See Note 1	Suspension Clamp w/Y-Clevis Eye	3	Aluminum	—
7	See Note 2	Armor Rods	3	Aluminum	—

Typical Insulator Selection

Line Voltage (kV)	Quadri*Sil® Part Number	Section Length Inches	SML lb	Corona Ring
345	S030103S201B	115.3	50,000	12" Line End
500	S030155S201D	167.2	50,000	15" Line End 8" Ground End

NOTE: For quoting/ordering instructions, see Assemblies section.

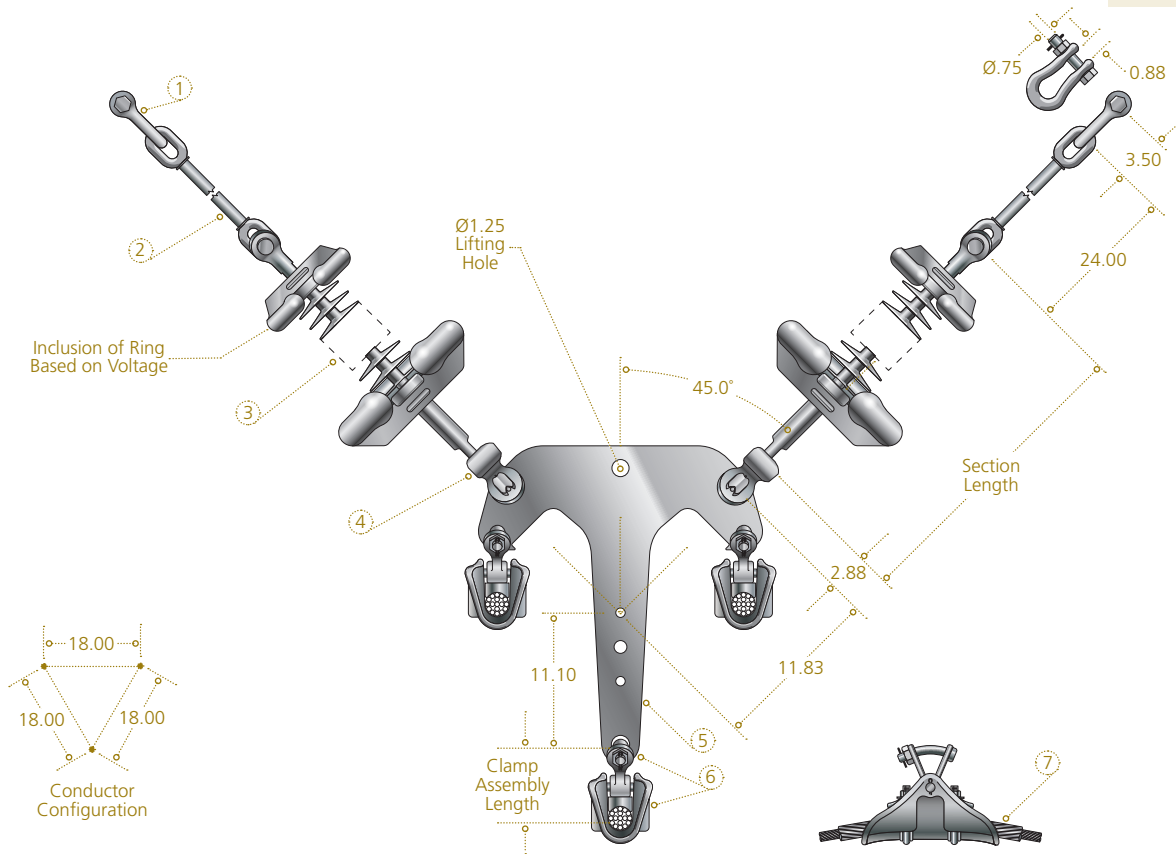
- (1) See Suspension Clamp section for standard and high temperature conductor suspension clamp options.
- (2) See Armor Rod section for rod set based on conductor application.

EHV Tangent Suspension, 3-Bundle Conductor

V-String 50k lb Assembly, 345kV - 500kV

ASSEMBLY

TAT32CVN



Base Assembly Bill of Material

Item	Part Number	Description	Quantity	Material	UBS lb
1	AS50BNKCVN	Anchor Shackle	2	Forged Steel	60,000
2	H005024CVN	Oval Eye Ext. Link (24")	2	Forged Steel	60,000
3	See Chart	Insulator, ANSI 52-11	2	Polymer	—
4	SYCS05N	Socket Y-Clevis	2	Forged Steel	50,000
5	YPT5012512CVN	Yoke Plate	1	Cut Steel	50,000
6	See Note 1	Suspension Clamp w/Y-Clevis Eye	3	Aluminum	—
7	See Note 2	Armor Rods	3	Aluminum	—

Typical Insulator Selection

Line Voltage (kV)	Quadri*Sil® Part Number	Section Length Inches	SML lb	Corona Ring
345	S050103S201B	117.8	50,000	12" Line End
500	S050155S201D	169.6	50,000	15" Line End 8" Ground End

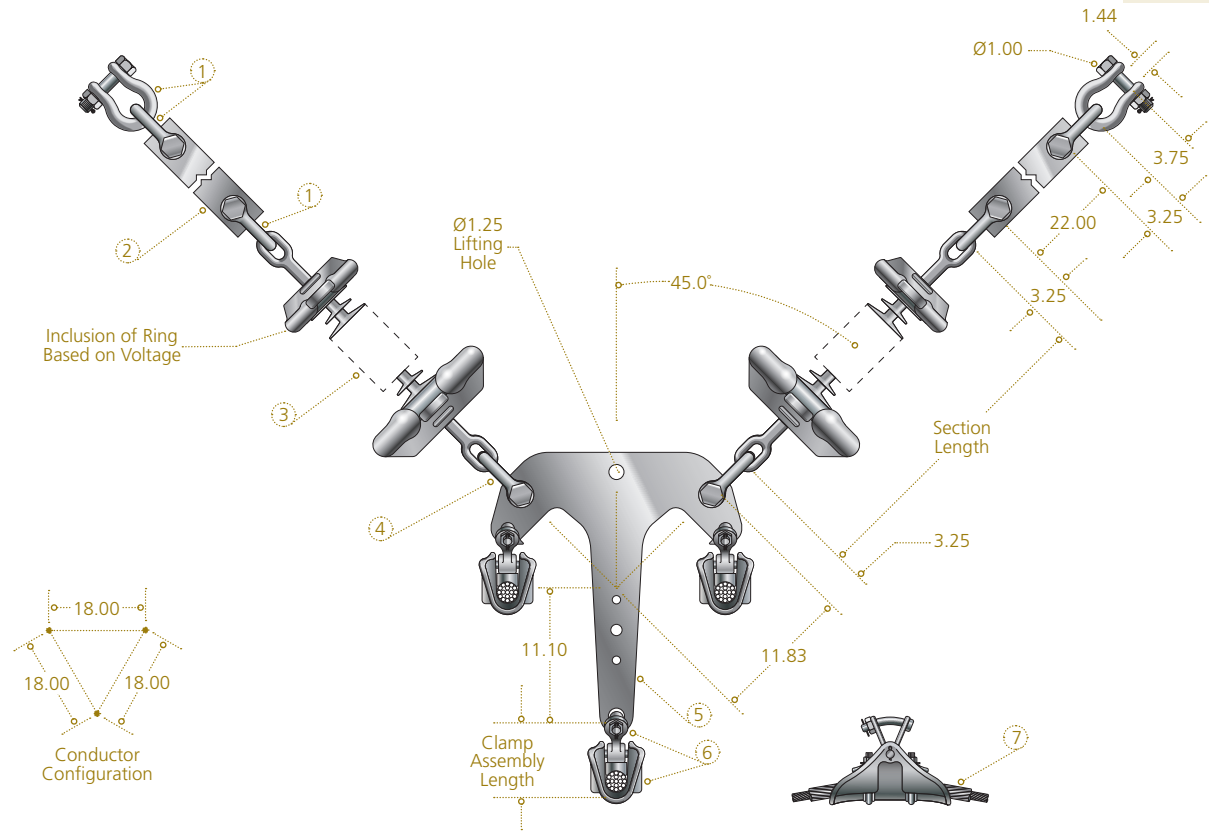
NOTE: For quoting/ordering instructions, see Assemblies section.

- (1) See Suspension Clamp section for standard and high temperature conductor suspension clamp options.
- (2) See Armor Rod section for rod set based on conductor application.

EHV Tangent Suspension, 3-Bundle Conductor

V-String 80k lb Assembly, 345kV - 500kV

ASSEMBLY
TAT32CVN



Base Assembly Bill of Material

Item	Part Number	Description	Quantity	Material	UBS lb
1	AS60BNKCVN	Anchor Shackle	6	Forged Steel	80,000
2	ES80781921CVN	Extension Strap (21")	2	Cut Steel	80,000
3	See Chart	Insulator, Eye-Eye	2	Polymer	—
4	AS60BNKSNCVN	Anchor Shackle	2	Forged Steel	80,000
5	YPT8013055CVN	Yoke Plate	1	Cut Steel	80,000
6	See Note 1	Suspension Clamp w/Y-Clevis Eye	3	Aluminum	—
7	See Note 2	Armor Rods	3	Aluminum	—

Typical Insulator Selection

Line Voltage (kV)	Quadri*Sil® Part Number	Section Length Inches	SML lb	Corona Ring
345	S080103H000B	124.5	80,000	12" Line End
500	S080155H000D	176.3	80,000	15" Line End 8" Ground End

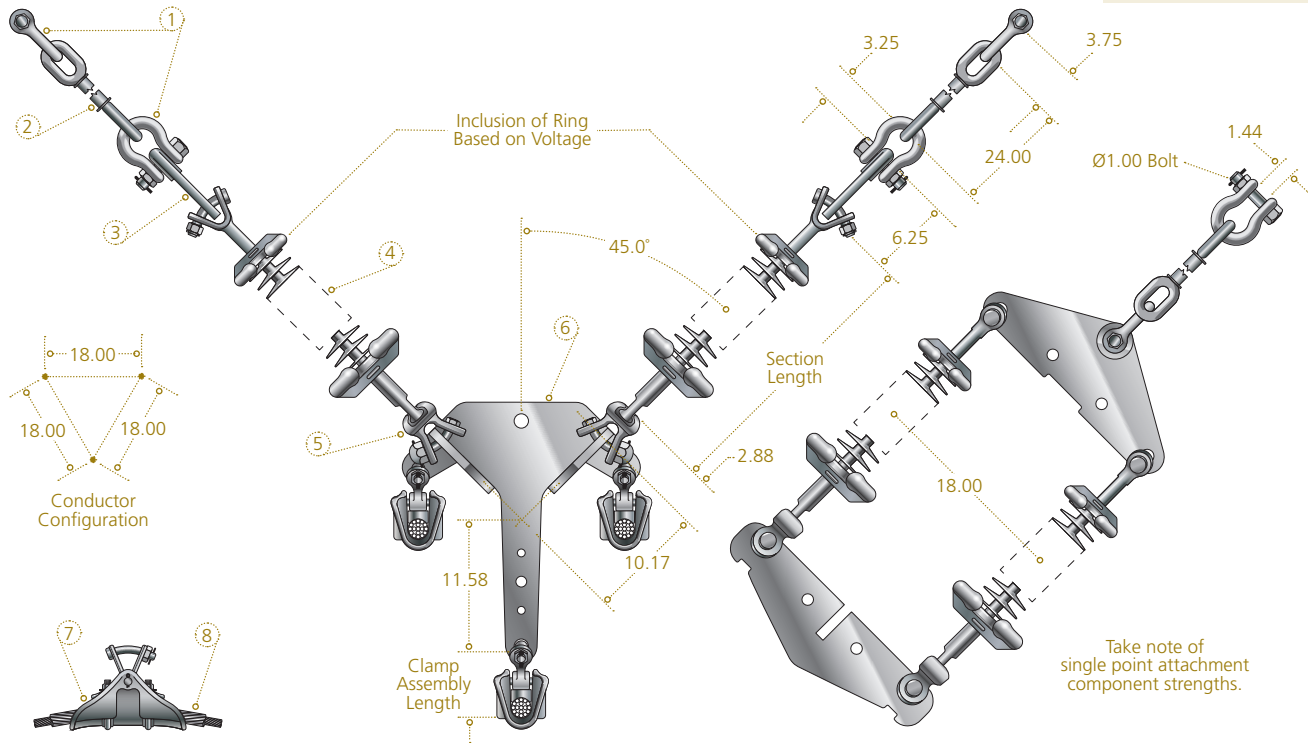
- NOTE:** For quoting/ordering instructions, see Assemblies section.
- (1) See Suspension Clamp section for standard and high temperature conductor suspension clamp options.
 - (2) Contact HPS for armor rod recommendations.
 - (3) See Suspension Insulator section for additional insulator options.

EHV Tangent Suspension, 3-Bundle Conductor

Double V-String 50k lb Assembly, 345kV - 500kV

ASSEMBLY

TAT34CVN



Base Assembly Bill of Material

Item	Part Number	Description	Quantity	Material	UBS lb
1	AS60BNKCVN	Anchor Shackle	4	Forged Steel	80,000
2	H00T8024CVN	Oval Eye Ext. Link (24")	2	Forged Steel	80,000
3	YPD8018475CVN	Yoke Plate	2	Cut Steel	80,000
4	See Chart	Insulator, ANSI 52-11	4	Polymer	—
5	SYC50SNCVN	Socket Y-Clevis	4	Forged Steel	50,000
6	YPTB40114896CVN	Yoke Plate	1	Cut Steel	40,000
7	See Note 1	Suspension Clamp w/Y-Clevis Eye	3	Aluminum	—
8	See Note 2	Armor Rods	3	Aluminum	—

Typical Insulator Selection

Line Voltage (kV)	Quadri*Sil® Part Number	Section Length Inches	SML lb	Corona Ring
345	S0501035201B	117.8	50,000	12" Line End
500	S0501555201D	169.6	50,000	15" Line End 8" Ground End

NOTE: For quoting/ordering instructions, see Assemblies section.

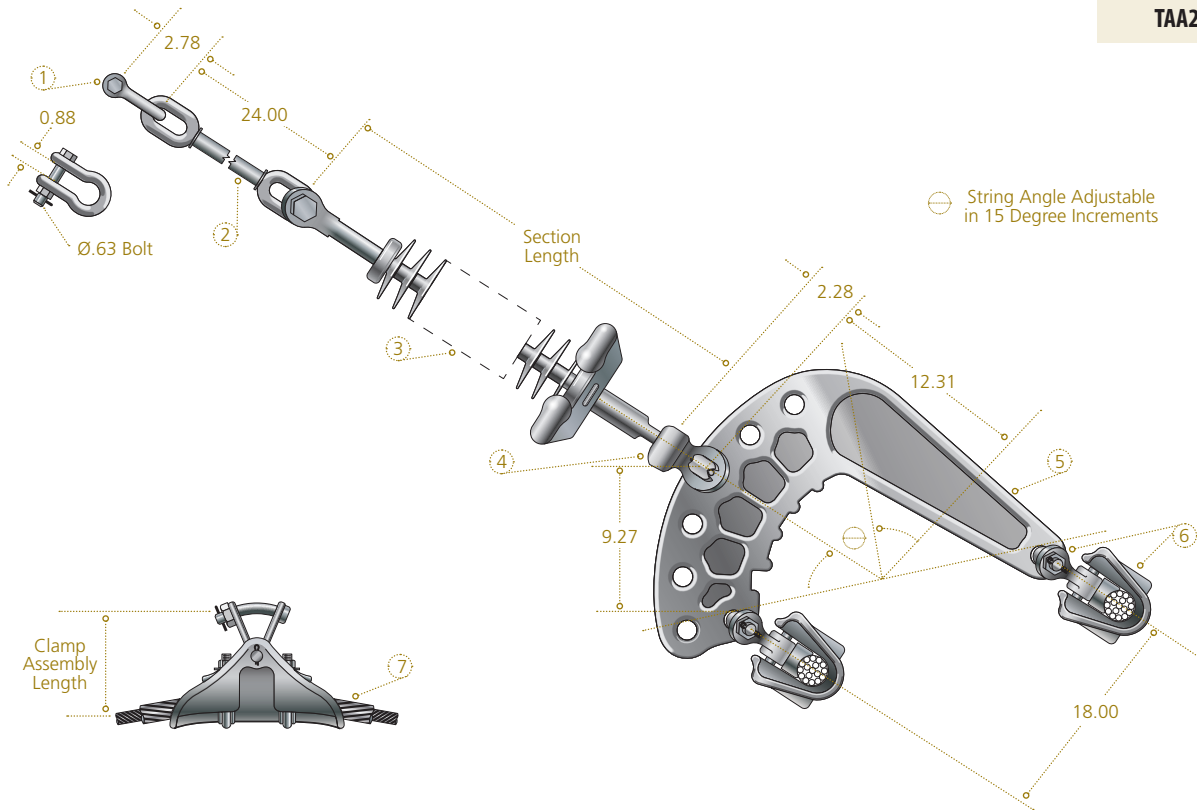
- (1) See Suspension Clamp section for standard and high temperature conductor suspension clamp options.
- (2) See Armor Rod section for rod set based on conductor application.

EHV Angle Suspension, 2-Bundle Conductor

Running Angle 30k lb Assembly, 230kV - 345kV

ASSEMBLY

TAA21CVN



Base Assembly Bill of Material

Item	Part Number	Description	Quantity	Material	UBS lb
1	AS25LBNKCVN	Anchor Shackle	1	Forged Steel	30,000
2	H003024CVN	Oval Eye Ext. Link (24")	1	Forged Steel	30,000
3	See Chart	Insulator, ANSI 52-5	1	Polymer	—
4	SYC133SN	Socket Y-Clevis	1	Forged Steel	30,000
5	YPC5026001CVN	Yoke Plate	1	Cut Steel	50,000
6	See Note 1	Suspension Clamp w/Y-Clevis Eye	2	Aluminum	—
7	See Note 2	Armor Rods	2	Aluminum	—

Typical Insulator Selection

Line Voltage (kV)	Quadri*Sil® Part Number	Section Length Inches	SML lb	Corona Ring
230	S030073S201A	85.1	30,000	8" Line End
345	S030103S201B	115.3	30,000	12" Line End

NOTE: For quoting/ordering instructions, see Assemblies section.

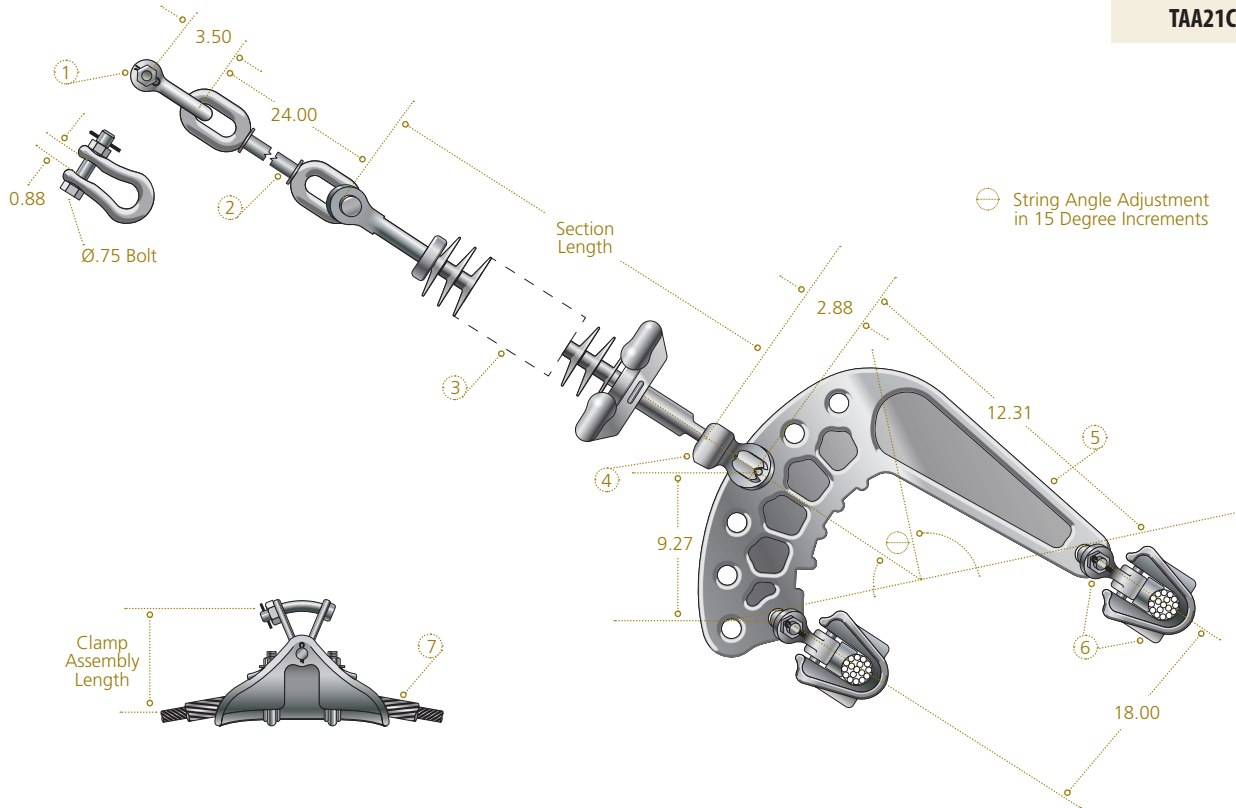
- (1) See Suspension Clamp section for standard and high temperature conductor suspension clamp options.
- (2) See Armor Rod section for rod set based on conductor application.

EHV Angle Suspension, 2-Bundle Conductor

Running Angle 50k lb Assembly, 230kV - 345kV

ASSEMBLY

TAA21CVN



Base Assembly Bill of Material

Item	Part Number	Description	Quantity	Material	UBS lb
1	AS50BNKCVN	Anchor Shackle	1	Forged Steel	60,000
2	H005024CVN	Oval Eye Ext. Link (24")	1	Forged Steel	60,000
3	See Chart	Insulator, ANSI 52-11	1	Polymer	—
4	SYC505NVCVN	Socket Y-Clevis	1	Forged Steel	50,000
5	YPC5026001CVN	Yoke Plate	1	Cut Steel	50,000
6	See Note 1	Suspension Clamp w/Y-Clevis Eye	2	Aluminum	—
7	See Note 2	Armor Rods	2	Aluminum	—

Typical Insulator Selection

Line Voltage (kV)	Quadri*Sil® Part Number	Section Length Inches	SML lb	Corona Ring
230	S050073S201A	87.6	50,000	8" Line End
345	S050103S201B	117.8	50,000	12" Line End

NOTE: For quoting/ordering instructions, see Assemblies section.

(1) See Suspension Clamp section for standard and high temperature conductor suspension clamp options.

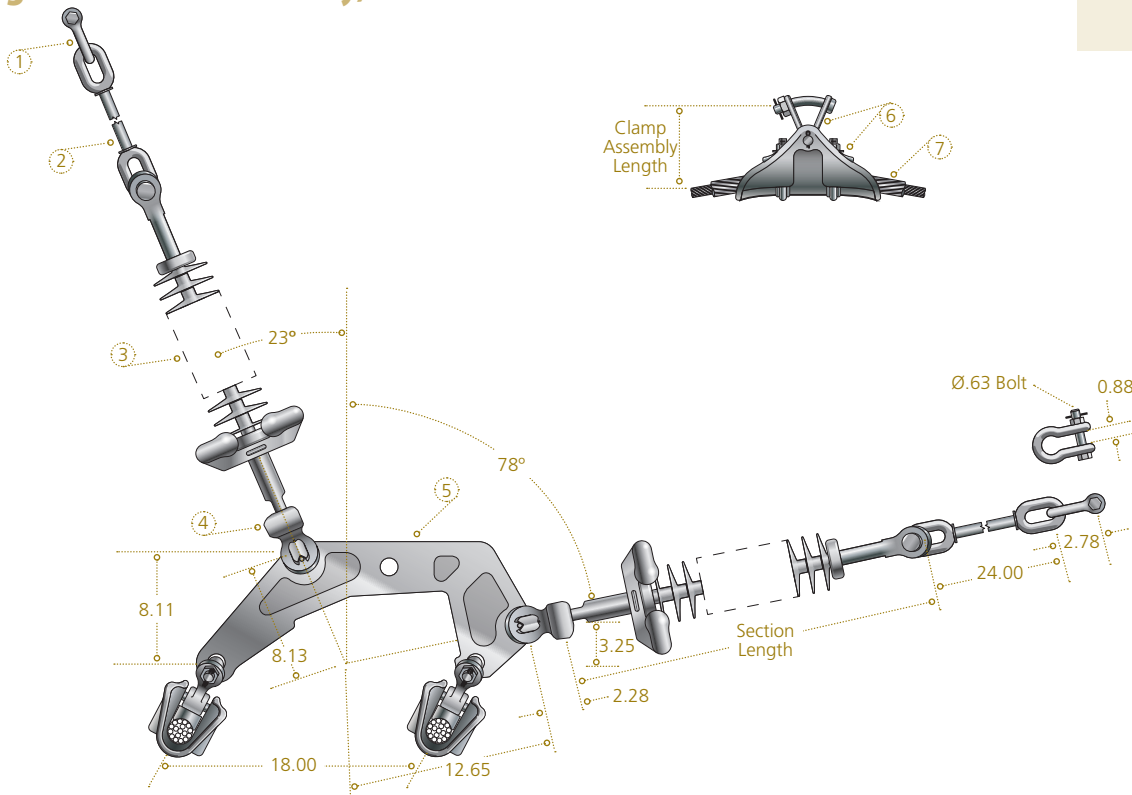
(2) See Armor Rod section for rod set based on conductor application.

EHV Angle Suspension, 2-Bundle Conductor

Angle V 30k lb Assembly, 230kV - 345kV

ASSEMBLY

TAA22CVN



Base Assembly Bill of Material

Item	Part Number	Description	Quantity	Material	UBS lb
1	AS25LBNKCVN	Anchor Shackle	2	Forged Steel	30,000
2	H003024CVN	Oval Eye Ext. Link (24")	2	Forged Steel	30,000
3	See Chart	Insulator, ANSI 52-5	2	Polymer	—
4	SYC133SN	Socket Y-Clevis	2	Forged Steel	30,000
5	YPC30174241CVN	Yoke Plate	1	Cut Steel	30,000
6	See Note 1	Suspension Clamp w/Y-Clevis Eye	2	Aluminum	—
7	See Note 2	Armor Rods	2	Aluminum	—

Typical Insulator Selection

Line Voltage (kV)	Quadri*Sil® Part Number	Section Length Inches	SML lb	Corona Ring
230	S030073S201A	85.1	30,000	8" Line End
345	S030103S201B	115.3	30,000	12" Line End

NOTE: For quoting/ordering instructions, see Assemblies section.

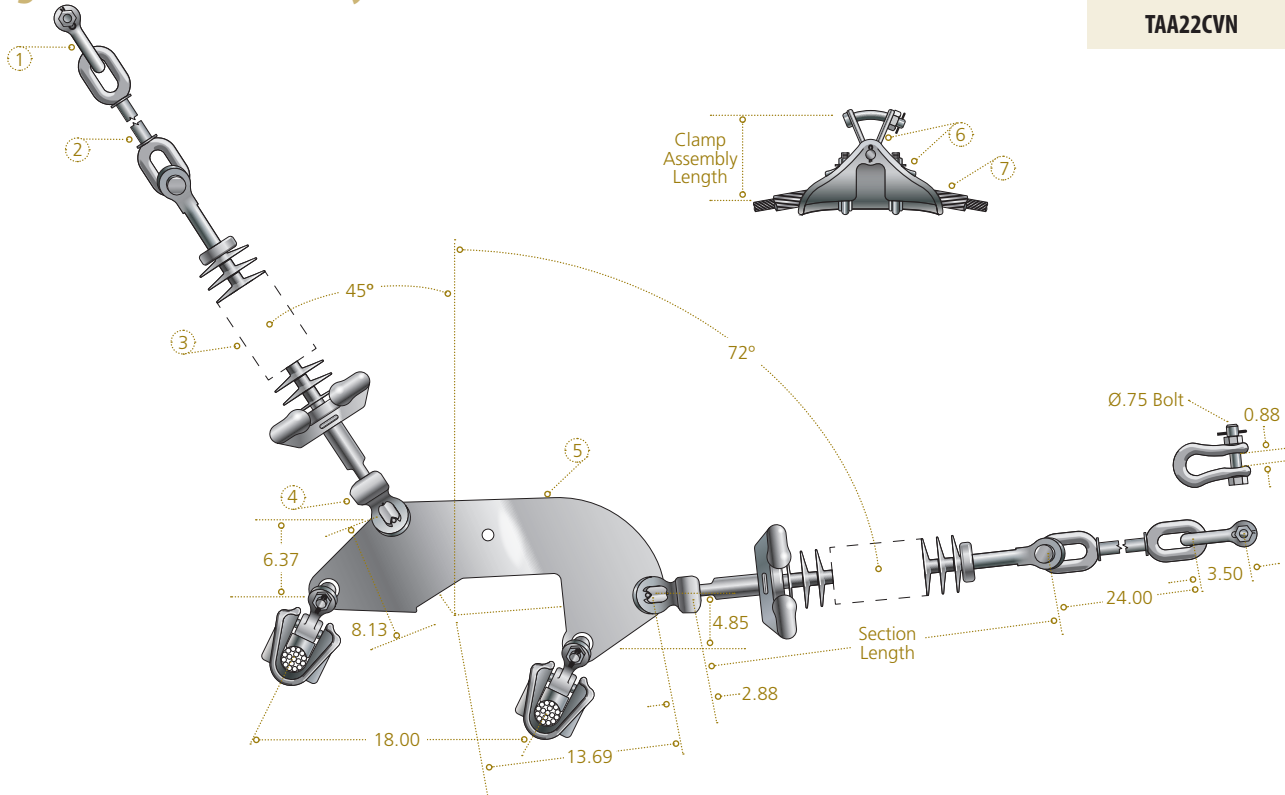
- (1) See Suspension Clamp section for standard and high temperature conductor suspension clamp options.
- (2) See Armor Rod section for rod set based on conductor application.

EHV Angle Suspension, 2-Bundle Conductor

Angle V 50k lb Assembly, 230kV - 345kV

ASSEMBLY

TAA22CVN



Base Assembly Bill of Material

Item	Part Number	Description	Quantity	Material	UBS lb
1	AS50BNKCVN	Anchor Shackle	2	Forged Steel	60,000
2	H005024CVN	Oval Eye Ext. Link (24")	2	Forged Steel	60,000
3	See Chart	Insulator, ANSI 52-11	2	Polymer	—
4	SYC50SNCVN	Socket Y-Clevis	2	Forged Steel	50,000
5	945834005CVN	Yoke Plate	1	Cut Steel	50,000
6	See Note 1	Suspension Clamp w/Y-Clevis Eye	2	Aluminum	—
7	See Note 2	Armor Rods	2	Aluminum	—

Typical Insulator Selection

Line Voltage (kV)	Quadri*Sil® Part Number	Section Length Inches	SML lb	Corona Ring
230	S050073S201A	87.6	50,000	8" Line End
345	S050103S201B	117.8	50,000	12" Line End

NOTE: For quoting/ordering instructions, see Assemblies section.

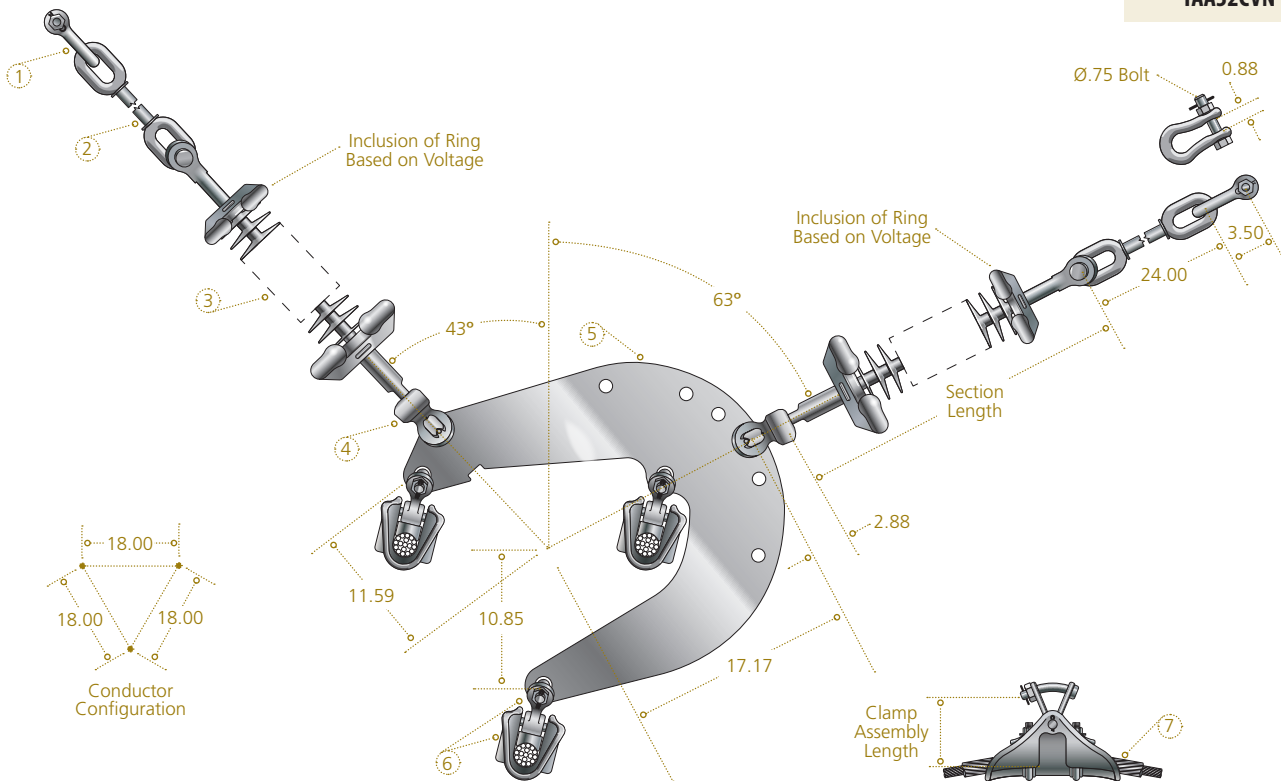
- (1) See Suspension Clamp section for standard and high temperature conductor suspension clamp options.
- (2) See Armor Rod section for rod set based on conductor application.

EHV Angle Suspension, 3-Bundle Conductor

Angle V 50k lb Assembly, 345kV - 500kV

ASSEMBLY

TAA32CVN



Base Assembly Bill of Material

Item	Part Number	Description	Quantity	Material	UBS lb
1	AS50BNKCVN	Anchor Shackle	2	Forged Steel	60,000
2	H005024CVN	Oval Eye Ext. Link (24")	2	Forged Steel	60,000
3	See Chart	Insulator, ANSI 52-11	2	Polymer	—
4	SYC50SNCVN	Socket Y-Clevis	2	Forged Steel	50,000
5	YPC5010833CVN	Yoke Plate	1	Cut Steel	50,000
6	See Note 1	Suspension Clamp w/Y-Clevis	3	Aluminum	—
7	See Note 2	Armor Rods	3	Aluminum	—

Typical Insulator Selection

Line Voltage (kV)	Quadri*Sil® Part Number	Section Length Inches	SML lb	Corona Ring
345	S050103S201B	117.8	50,000	12" Line End
300	S050155S201D	169.6	50,000	15" Line End 8" Ground End

NOTE: For quoting/ordering instructions, see Assemblies section.

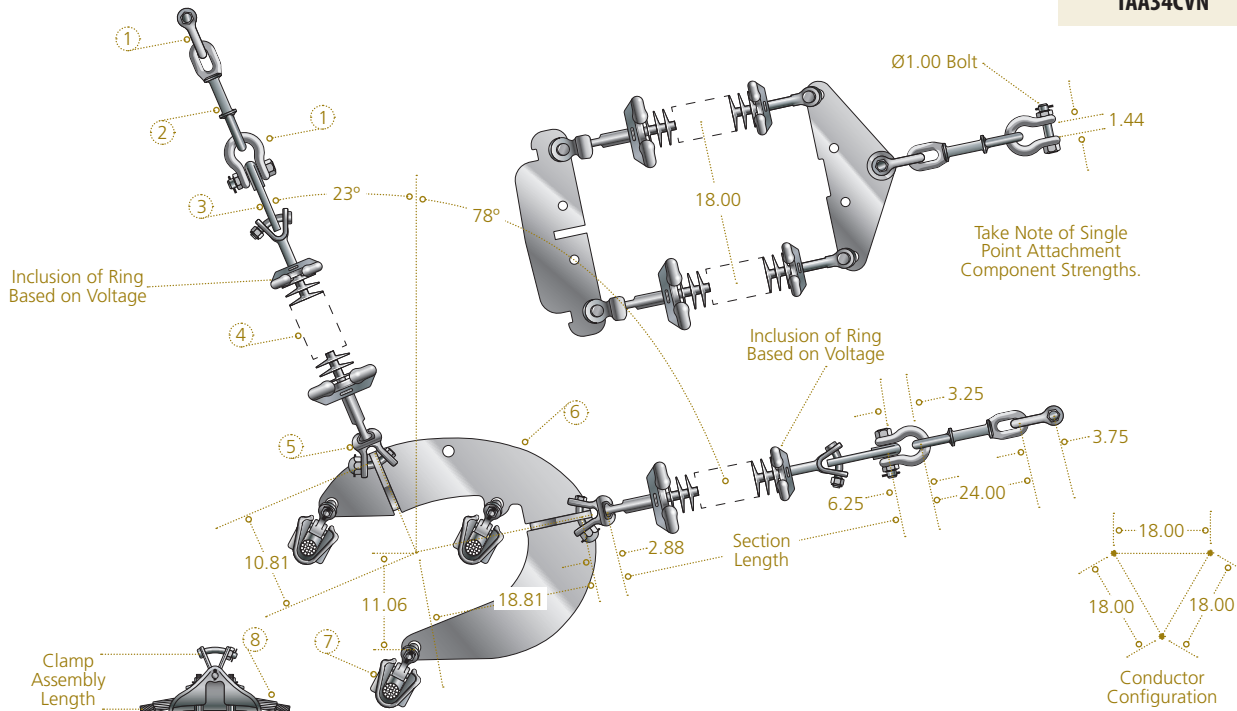
- (1) See Suspension Clamp section for standard and high temperature conductor suspension clamp options.
- (2) See Armor Rod section for rod set based on conductor application.

EHV Angle Suspension, 3-Bundle Conductor

Double V-String 50k lb Assembly, 345kV - 500kV

ASSEMBLY

TAA34CVN



Base Assembly Bill of Material

Item	Part Number	Description	Quantity	Material	UBS lb
1	AS60BNKCVN	Anchor Shackle	4	Forged Steel	80,000
2	H00T8024CVN	Oval Eye Ext. Link (24")	2	Forged Steel	80,000
3	YPD8018475CVN	Yoke Plate	2	Cut Steel	80,000
4	See Chart	Insulator, ANSI 52-11	4	Polymer	—
5	SYC50SNCVN	Socket Y-Clevis	4	Forged Steel	50,000
6	YPCB4011742CVN	Yoke Plate	1	Cut Steel	40,000
7	See Note 1	Suspension Clamp w/Y-Clevis Eye	3	Aluminum	—
8	See Note 2	Armor Rods	3	Aluminum	—

Typical Insulator Selection

Line Voltage (kV)	Quadri*Sil® Part Number	Section Length Inches	SML lb	Corona Ring
345	S050103S201B	117.8	50,000	12" Line End
500	S050155S201D	169.6	50,000	15" Line End 8" Ground End

NOTE: For quoting/ordering instructions, see Assemblies section.

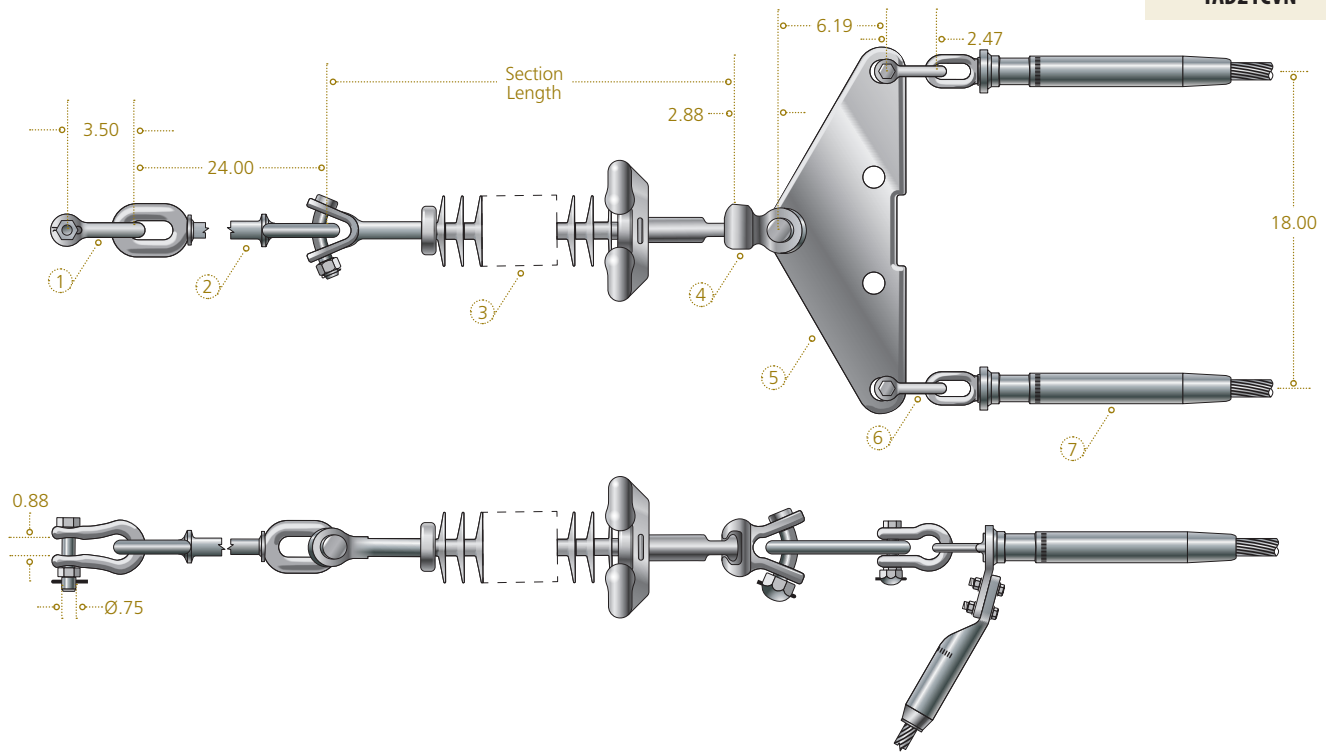
- (1) See Suspension Clamp section for standard and high temperature conductor suspension clamp options.
- (2) See Armor Rod section for rod set based on conductor application.

EHV Deadend, 2-Bundle Conductor

Single Insulator 50k lb Assembly, 230kV - 345kV

ASSEMBLY

TAD21CVN



Base Assembly Bill of Material

Item	Part Number	Description	Quantity	Material	UBS lb
1	AS50BNKCVN	Anchor Shackle	1	Forged Steel	60,000
2	H00T5024CVN	Oval Eye Ext. Link (24")	1	Forged Steel	60,000
3	See Chart	Insulator, ANSI 52-11	1	Polymer	—
4	SYC50SNCVN	4 Socket Y-Clevis	1	Forged Steel	50,000
5	YPD50185491CVN	Yoke Plate	1	Cut Steel	50,000
6	AS25LBKSNKCVN	Anchor Shackle	2	Forged Steel	30,000
7	See Note 1	Compression Deadend w/Terminal	2	Aluminum	Full Tension

Typical Insulator Selection

Line Voltage (kV)	Quadri*Sil® Part Number	Section Length Inches	SML lb	Corona Ring
230	S050073S201A	87.6	50,000	8" Line End
345	S050103S201B	117.8	50,000	12" Line End

NOTE: For quoting/ordering instructions, see Assemblies section.

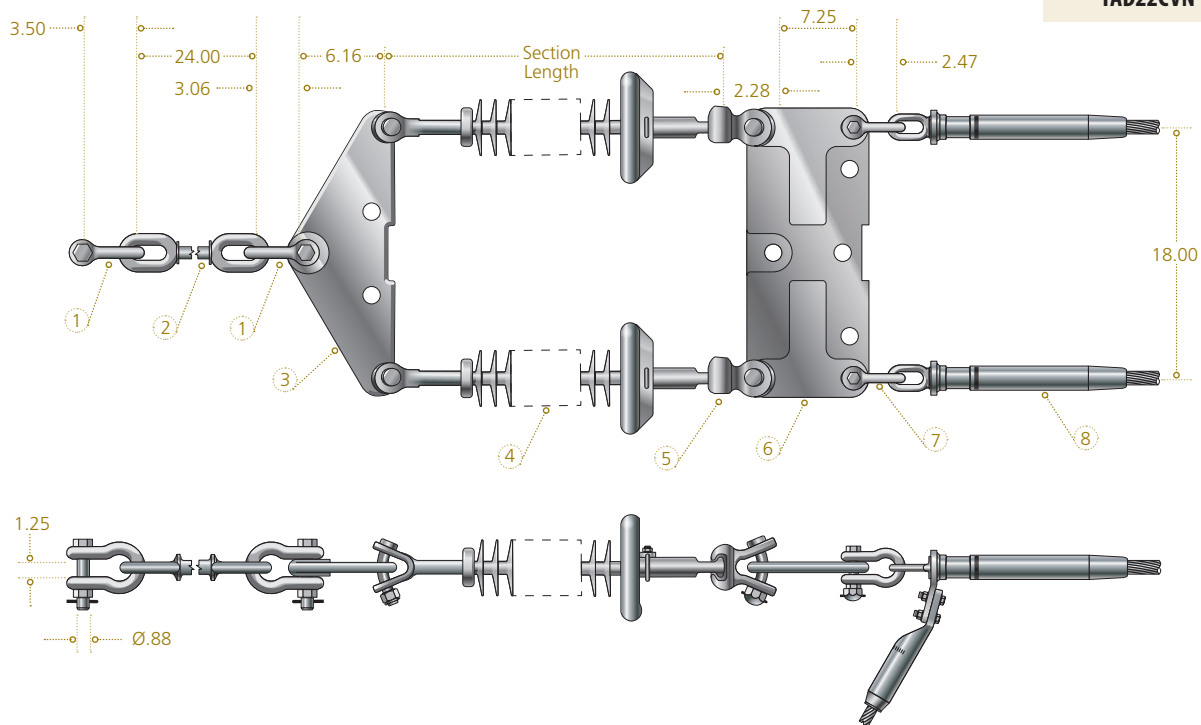
- (1) See Uni-Grip Compression Deadends section for standard conductor compression deadend options
- (2) See Armor Rod section for rod set based on conductor application.

EHV Deadend, 2-Bundle Conductor

Double Insulator 30k lb Assembly, 230kV - 345kV

ASSEMBLY

TAD22CVN



Base Assembly Bill of Material

Item	Part Number	Description	Quantity	Material	UBS lb
1	AS50WBNKCVN	Anchor Shackle	2	Forged Steel	60,000
2	H005024CVN	Oval Eye Ext. Link (24")	1	Forged Steel	60,000
3	YPD60183771CVN	Yoke Plate	1	Cut Steel	60,000
4	See Chart	Insulator, ANSI 52-5	2	Polymer	—
5	SYC133SN	Socket Y-Clevis	2	Forged Steel	30,000
6	YPR30187221CVN	Yoke Plate	1	Cut Steel	30,000
7	AS25LBKSNKCVN	Anchor Shackle	2	Forged Steel	30,000
8	See Note 1	Compression Deadend w/Terminal	2	Aluminum	Full Tension

Typical Insulator Selection

Line Voltage (kV)	Quadri*Sil® Part Number	Section Length Inches	SML lb	Corona Ring
230	S030073S201A	85.1	30,000	8" Line End
345	S030103S201B	115.3	30,000	12" Line End

NOTE: For quoting/ordering instructions, see Assemblies section.

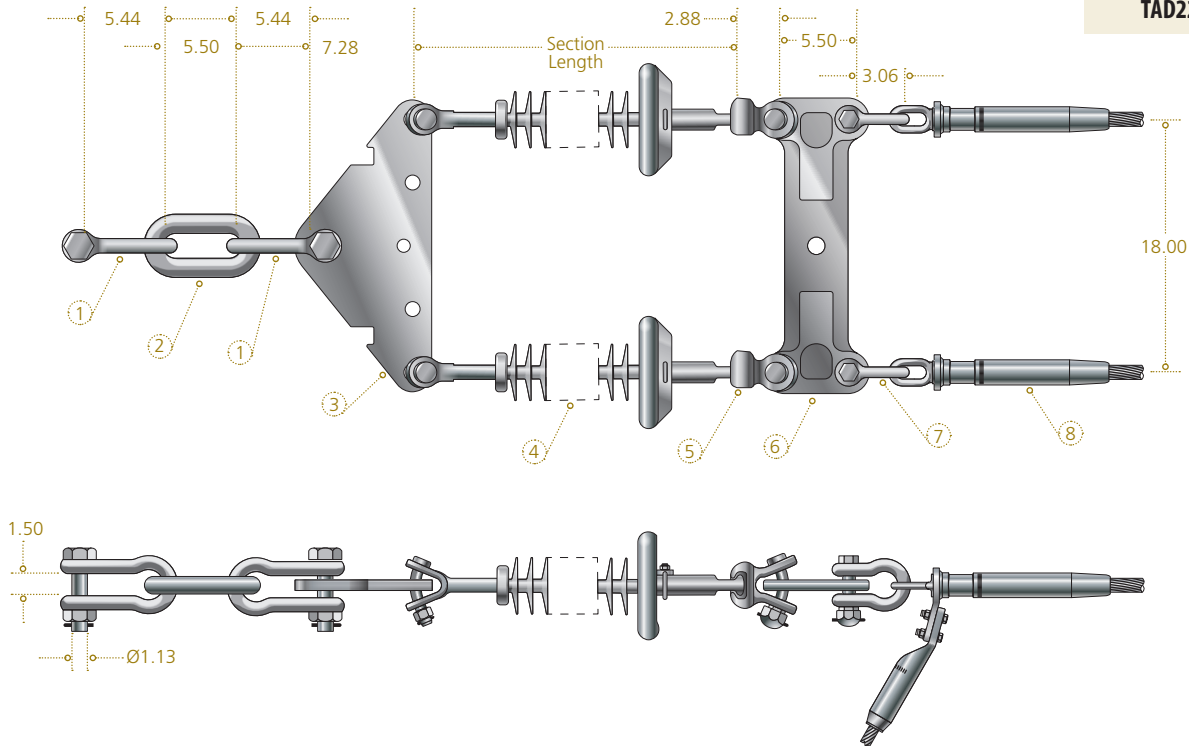
(1) See Uni-Grip Compression Deadends section for standard conductor compression deadend options.

EHV Deadend, 2-Bundle Conductor

Double Insulator 50k lb Assembly, 230kV - 345kV

ASSEMBLY

TAD22CVN



Base Assembly Bill of Material

Item	Part Number	Description	Quantity	Material	UBS lb
1	974153001CVN	Anchor Shackle	2	Forged Steel	120,000
2	LK120CVN	Chain Link	1	Forged Steel	150,000
3	947604006CVN	Yoke Plate	1	Cut Steel	100,000
4	See Chart	Insulator, ANSI 52-11	2	Polymer	—
5	SYC50SNCVN	Socket Y-Clevis	2	Forged Steel	50,000
6	YPR50190508CVN	Yoke Plate	1	Cut Steel	50,000
7	ASS0WBKNSNCVN	Anchor Shackle	2	Forged Steel	60,000
8	See Note 1	Compression Deadend w/Terminal	2	Aluminum	Full Tension

Typical Insulator Selection

Line Voltage (kV)	Quadri*Sil® Part Number	Section Length Inches	SML lb	Corona Ring
230	S050073S201A	87.6	50,000	8" Line End
345	S050103S201B	117.8	30,000	12" Line End

NOTE: For quoting/ordering instructions, see Assemblies section.

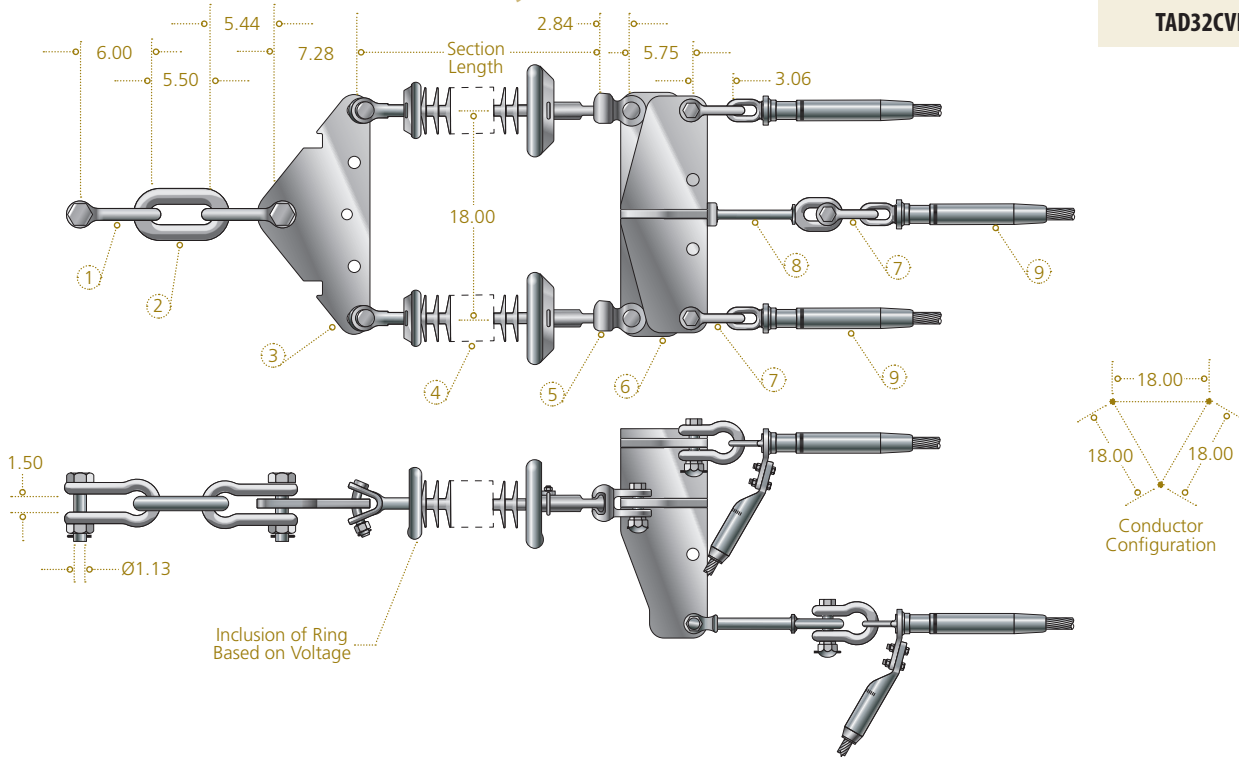
(1) See Uni-Grip Compression Deadends section for standard conductor compression deadend options.

EHV Deadend, 3-Bundle Conductor

Double Insulator 50k lb Assembly, 345kV - 500kV

ASSEMBLY

TAD32CVN



Base Assembly Bill of Material

Item	Part Number	Description	Quantity	Material	UBS lb
1	974153001CVN	Anchor Shackle	2	Forged Steel	120,000
2	LK150CVN	Chain Link	1	Forged Steel	150,000
3	947604006CVN	Yoke Plate	1	Cut Steel	100,000
4	See Chart	Insulator, ANSI 52-11	2	Polymer	50,000
5	SC501BNKSNCVN	Socket Clevis	2	Forged Steel	50,000
6	YPX5011275CVN	Yoke Plate	1	Cut Steel	50,000
7	AS50WBNKSNCVN	Anchor Shackle	3	Forged Steel	60,000
8	FHOECS012BNKSNCVN	Chain Eye - Clevis Ext. Link (12")	1	Forged Steel	50,000
9	See Note 1	Compression Deadend w/Terminal	3	Aluminum	Full Tension

Typical Insulator Selection

Line Voltage (kV)	Quadri*Sil® Part Number	Section Length Inches	SML lb	Corona Ring
345	S050103S201B	117.8	50,000	12" Line End
500	S050155S201D	169.6	50,000	15" Line End 8" Ground End

NOTE: For quoting/ordering instructions, see Assemblies section.

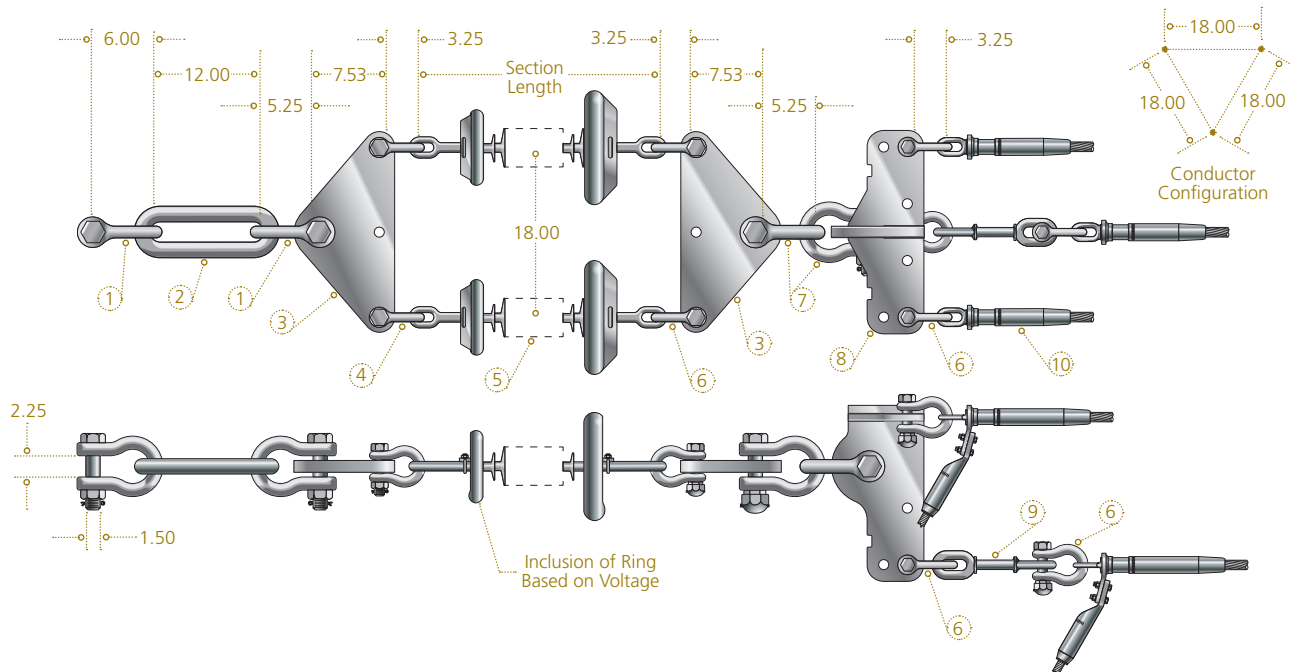
(1) See Uni-Grip Compression Deadends section for standard conductor compression deadend options.

EHV Deadend, 3-Bundle Conductor

Double Insulator 80k lb Assembly, 345kV - 500kV

ASSEMBLY

TAD32CVN



Base Assembly Bill of Material

Item	Part Number	Description	Quantity	Material	UBS lb
1	M866AGCVN	Anchor Shackle	2	Forged Steel	210,000
2	LK200CVN	Chain Link	1	Forged Steel	200,000
3	YPD16011137CVN	Yoke Plate	2	Cut Steel	160,000
4	AS60BNKCVN	Anchor Shackle	2	Forged Steel	80,000
5	See Chart	Insulator, Eye-Eye	2	Polymer	80,000
6	AS60BNKSNCVN	Anchor Shackle	6	Forged Steel	80,000
7	M866AGSNCVN	Anchor Shackle	2	Forged Steel	210,000
8	YPX20012551CVN	Yoke Plate	1	Cut Steel	200,000
9	H00T5013CVN	Chain Eye - Chain Eye Ext. Link (13")	1	Forged Steel	60,000
10	See Note 1	Compression Deadend w/Terminal	3	Aluminum	Full Tension

Typical Insulator Selection

Line Voltage (kV)	Quadri*Sil® Part Number	Section Length Inches	SML lb	Corona Ring
345	S080103H000B	124.5	80,000	12" Line End
500	S080155H000D	176.3	80,000	15" Line End 8" Ground End

NOTE: For quoting/ordering instructions, see Assemblies section.

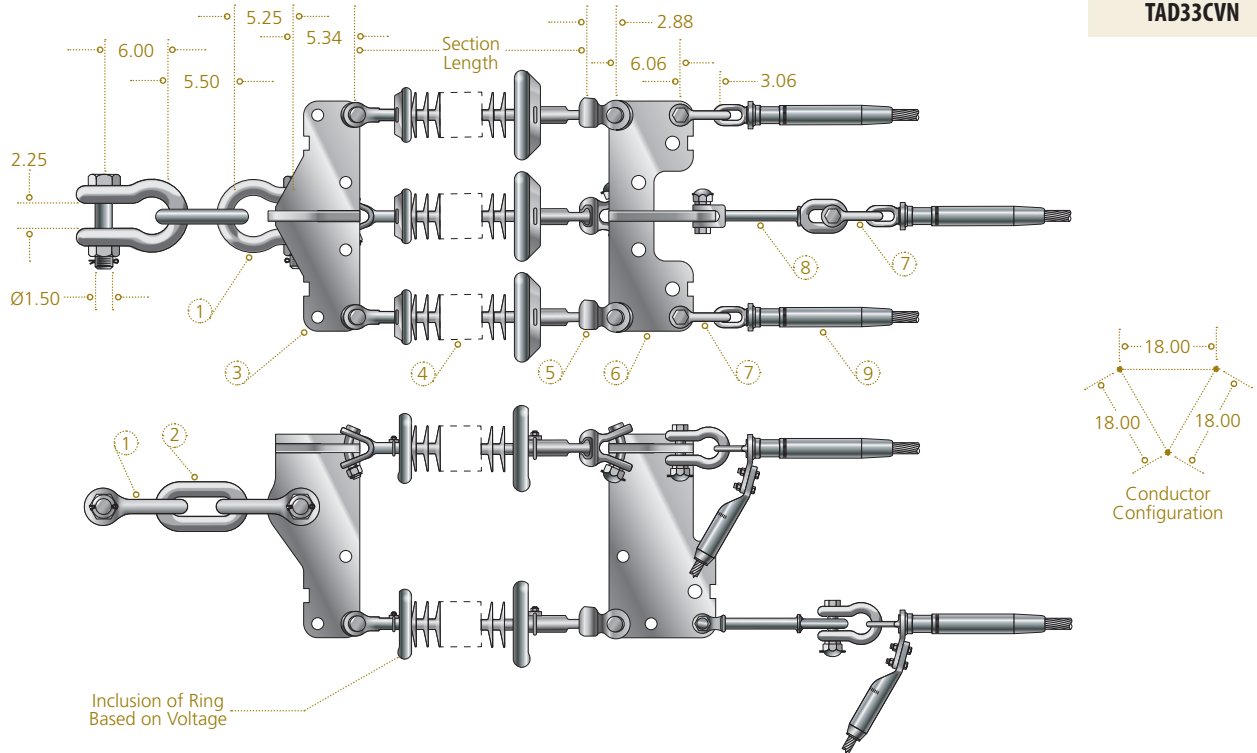
(1) See Uni-Grip Compression Deadends section for standard conductor compression deadend options.

EHV Deadend, 3-Bundle Conductor

Triple Insulator 50k lb Assembly, 345kV - 500kV

ASSEMBLY

TAD33CVN



Base Assembly Bill of Material

Item	Part Number	Description	Quantity	Material	UBS lb
1	AS135BNKCVN	Anchor Shackle	2	Forged Steel	150,000
2	LK150CVN	Chain Link	1	Forged Steel	150,000
3	YPX1509397CVN	Yoke Plate	1	Cut Steel	150,000
4	See Chart	Insulator, ANSI 52-11	3	Polymer	50,000
5	SYC50SNCVN	Socket Y-Clevis	3	Forged Steel	50,000
6	YPX5011744CVN	Yoke Plate	1	Cut Steel	50,000
7	AS50WBKNSNCVN	Anchor Shackle	3	Forged Steel	60,000
8	FHOEC5012BKNSNCVN	Chain Eye - Clevis Ext. Link (12")	1	Forged Steel	50,000
9	See Note 1	Compression Deadend w/Terminal	3	Aluminum	Full Tension

Typical Insulator Selection

Line Voltage (kV)	Quadri*Sil® Part Number	Section Length Inches	SML lb	Corona Ring
345	S050103S201B	117.8	50,000	12" Line End
500	S050155S201D	169.6	50,000	15" Line End 8" Ground End

NOTE: For quoting/ordering instructions, see Assemblies section.

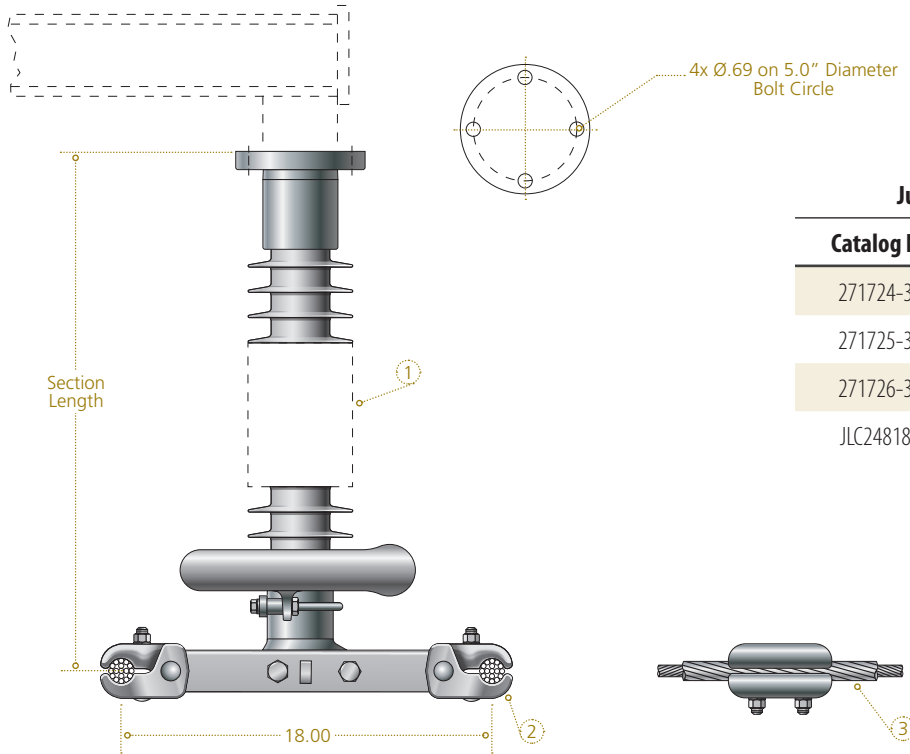
(1) See Uni-Grip Compression Deadends section for standard conductor compression deadend options.

EHV Jumper Support, 2-Bundle Conductor

2.5" Post (Vertical) Insulator Assembly, 230kV - 345kV

ASSEMBLY

TAJ21PCVN



Jumper Clamp Assembly

Catalog Number	Clamp Range
271724-3001CVN	1.00-1.40 Diameter
271725-3001CVN	1.40-1.60 Diameter
271726-3001CVN	1.60-2.00 Diameter
JLC24818275CVN	2.00-2.48 Diameter

Base Assembly Bill of Material

Item	Part Number	Description	Quantity	Material	UBS lb
1	See Chart	Insulator, Post w/Ring	1	Polymer	—
2	See Chart	Clamp Assembly	1	Steel/Aluminum	5,000
3	See Note 1	Armor Rods	2	Aluminum	—

Typical Insulator Selection

Line Voltage (kV)	Quadri*Sil® Part Number	Section Length Inches	SCL lb	Corona Ring
230	P250070S530A	79.8	1,050	12" Line End
345	P250101S530A	111.3	740	12" Line End

NOTE: RCL is 50% of the ultimate cantilever load capacity.

Maximum design tension load rating is 7,500 lb.

For quoting/ordering instructions, see Assemblies section.

(1) See Armor Rod section for rod set based on conductor application.

(2) Jumper Clamp Assembly with "CVN" suffix will come with hardware galvanized per CSA G164.

EHV Jumper Support, 2-Bundle Conductor

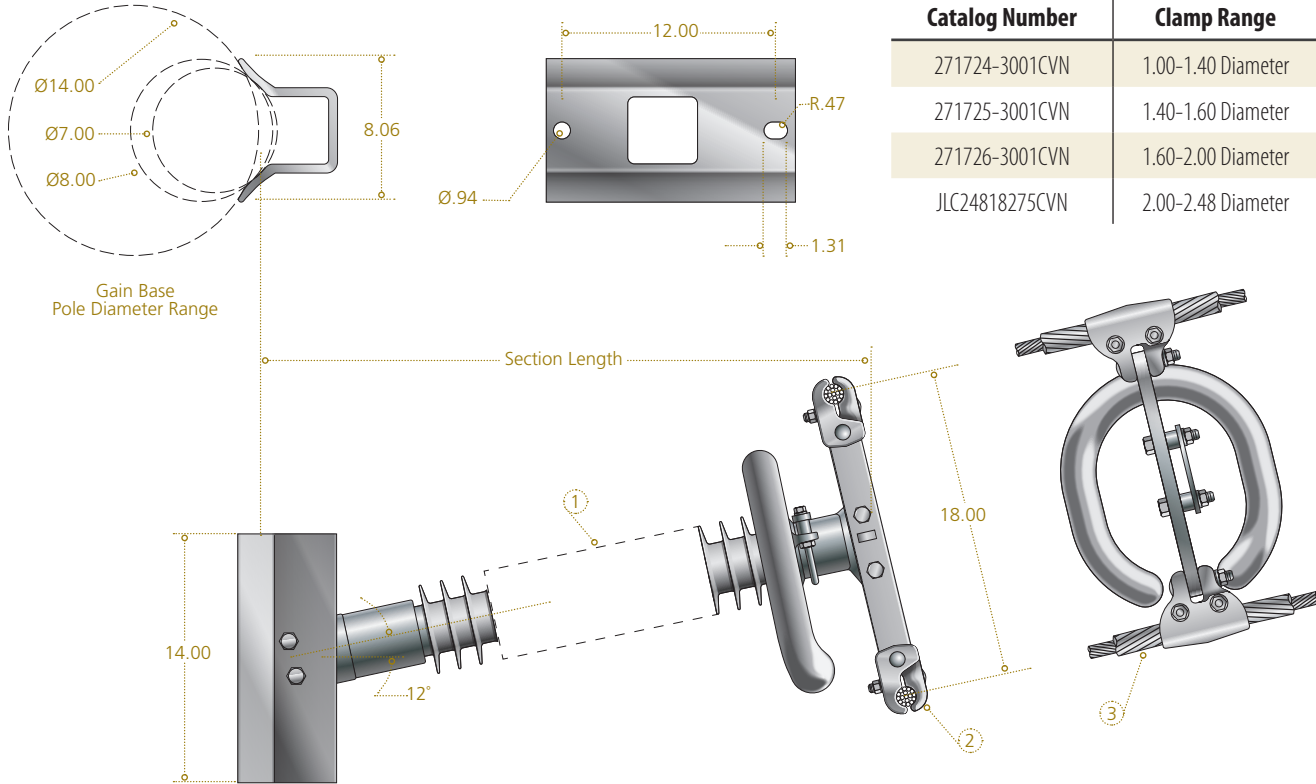
2.5" Post (Horizontal) Insulator Assembly, 230kV - 345kV

ASSEMBLY

TAJ21PCVN

Jumper Clamp Assembly

Catalog Number	Clamp Range
271724-3001CVN	1.00-1.40 Diameter
271725-3001CVN	1.40-1.60 Diameter
271726-3001CVN	1.60-2.00 Diameter
JLC24818275CVN	2.00-2.48 Diameter



Base Assembly Bill of Material

Item	Part Number	Description	Quantity	Material	UBS lb
1	See Chart	Insulator, Post w/Ring	1	Polymer	—
2	See Chart	Clamp Assembly	1	Steel/Aluminum	5,000
3	See Note 1	Armor Rods	2	Aluminum	—

Typical Insulator Selection

Line Voltage (kV)	Quadri*Sil® Part Number	Section Length Inches	RCL lb	Corona Ring
230	P250070S002A	81.9	1,050	12" Line End
345	P250101S002A	112.7	740	12" Line End

NOTE: RCL is 50% of the ultimate cantilever load capacity.

Maximum design tension load rating is 7,500 lb.

For quoting/ordering instructions, see Assemblies section.

(1) See Armor Rod section for rod set based on conductor application.

(2) Jumper Clamp Assembly with "CVN" suffix will come with hardware galvanized per CSA G164.

EHV Jumper Support, 2-Bundle Conductor

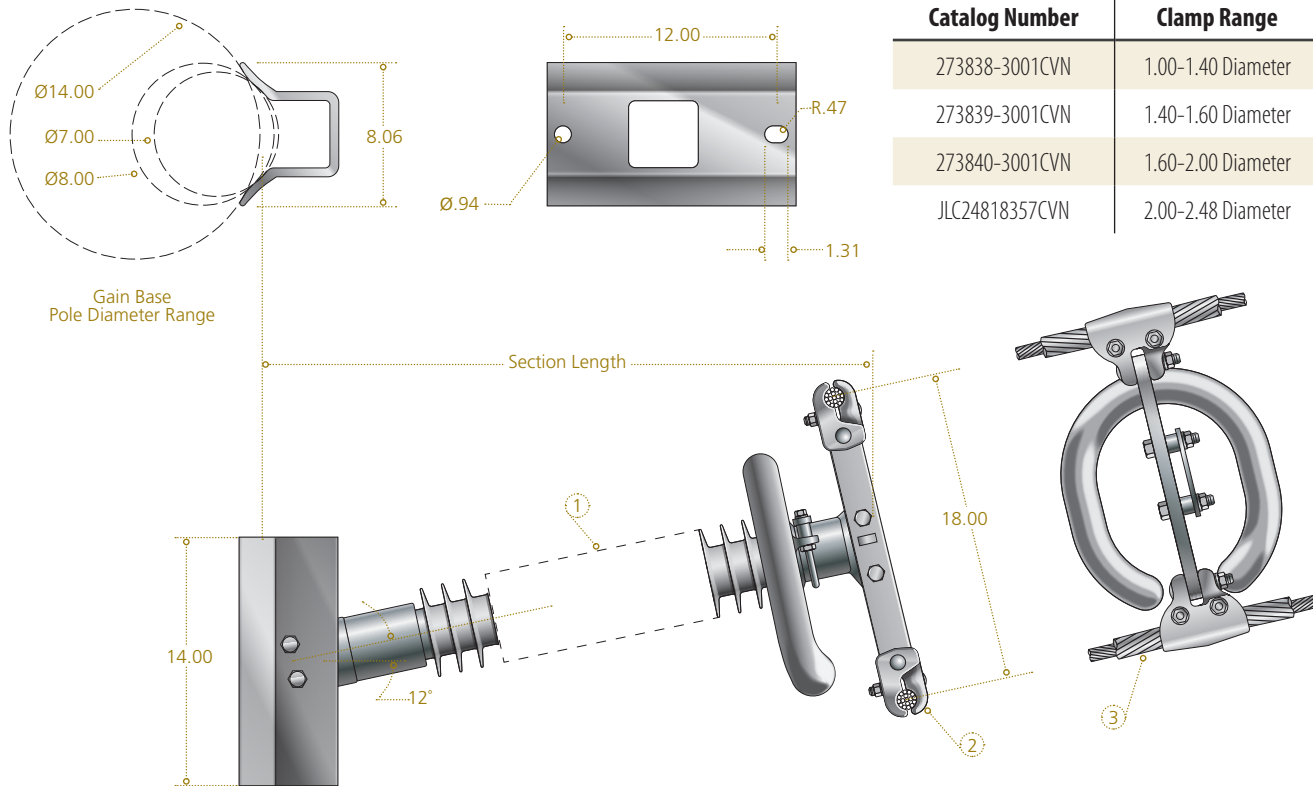
3" Post (Horizontal) Insulator Assembly, 230kV - 345kV

ASSEMBLY

TAJ21PCVN

Jumper Clamp Assembly

Catalog Number	Clamp Range
273838-3001CVN	1.00-1.40 Diameter
273839-3001CVN	1.40-1.60 Diameter
273840-3001CVN	1.60-2.00 Diameter
JLC24818357CVN	2.00-2.48 Diameter



Base Assembly Bill of Material

Item	Part Number	Description	Quantity	Material	UBS lb
1	See Chart	Insulator, Post w/Ring	1	Polymer	—
2	See Chart	Jumper Clamp Assembly	1	Steel/Aluminum	5,000
3	See Note 1	Armor Rods	2	Aluminum	—

Typical Insulator Selection

Line Voltage (kV)	Quadri*Sil® Part Number	Section Length Inches	RCL lb	Corona Ring
230	P300074S002A	85.6	1,740	15" Line End
345	P300099S002A	110.4	1,315	15" Line End

NOTE: RCL is 50% of the ultimate cantilever load capacity.

Maximum design tension load rating is 12,500 lb.

For quoting/ordering instructions, see Assemblies section.

(1) See Armor Rod section for rod set based on conductor application.

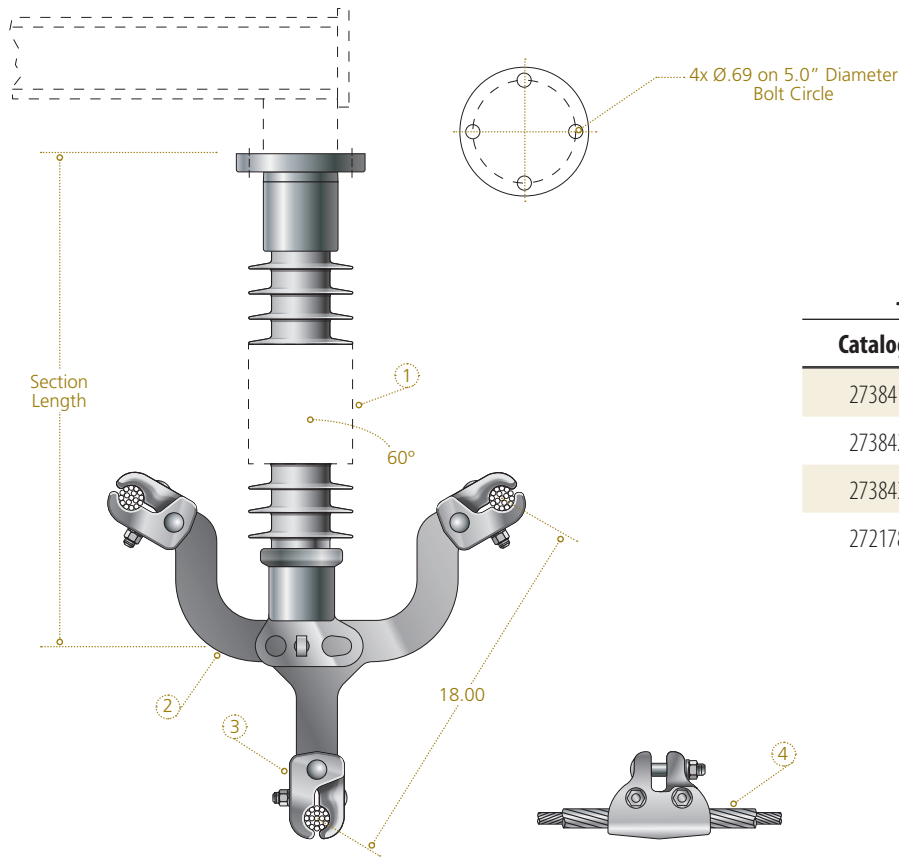
(2) Jumper Clamp Assembly with "CVN" suffix will come with hardware galvanized per CSA G164.

EHV Jumper Support, 3-Bundle Conductor

3" Post (Vertical) Insulator Assembly, 345kV - 500kV

ASSEMBLY

TAJ31PCVN



Jumper Clamp Assemblies

Catalog Number	Clamp Range
2738413001CVN	1.00-1.40 Diameter
2738423001CVN	1.40-1.60 Diameter
2738433001CVN	1.60-2.00 Diameter
2721783002CVN	2.00-2.48 Diameter

Base Assembly Bill of Material

Item	Part Number	Description	Quantity	Material	UBS lb
1	See Chart	Insulator, Post	1	Polymer	—
2	2717034001CVN	Yoke Plate	1	Steel	5,000
3	See Chart	Jumper Loop Clamp	3	Aluminum	5,000
4	See Note 1	Armor Rods	3	Aluminum	—

Typical Insulator Selection

Line Voltage (kV)	Quadri*Sil® Part Number	Section Length Inches	RCL lb	Corona Ring
345	P300099SSAAA	110.6	1,315	—
500	P300117SSAAA	128.8	1,120	—

NOTE: RCL is 50% of the ultimate cantilever load capacity.

Maximum design tension load rating is 12,500 lb.

For quoting/ordering instructions, see Assemblies section.

(1) See Armor Rod section for rod set based on conductor application.

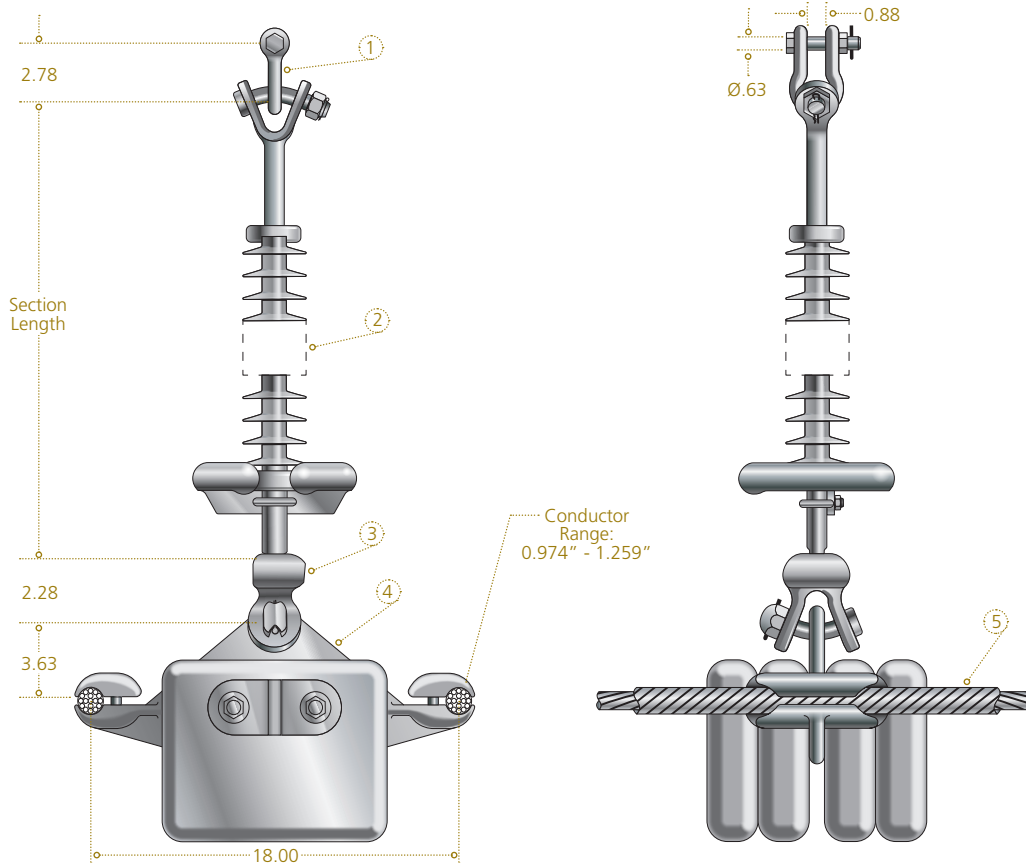
(2) Jumper Clamp Assembly with "CVN" suffix will come with hardware galvanized per CSA G164.

EHV Jumper Support, 2-Bundle Conductor

Single Insulator with Weights 30k lb Assembly, 230kV - 345kV

ASSEMBLY

TAJ21CVN



Base Assembly Bill of Material

Item	Part Number	Description	Quantity	Material	UBS lb
1	AS25LBNKCVN	Anchor Shackle	1	Forged Steel	30,000
2	See Chart	Insulator, ANSI 52-5	1	Polymer	—
3	SYC133SN	Socket Y-Clevis	1	Forged Steel	30,000
4	YPJ21018215200CVN ⁽¹⁾	Jumper Yoke w/Weights	1	Aluminum	10,000
5	See Note 2	Armor Rods	1	Aluminum	—

Typical Insulator Selection

Line Voltage (kV)	Quadri*Sil® Part Number	Section Length Inches	SML lb	Corona Ring
230	S030073S201A	85.1	30,000	8" Line End
345	S030103S201B	115.3	30,000	12" Line End

NOTE: For quoting/ordering instructions, see Assemblies section.

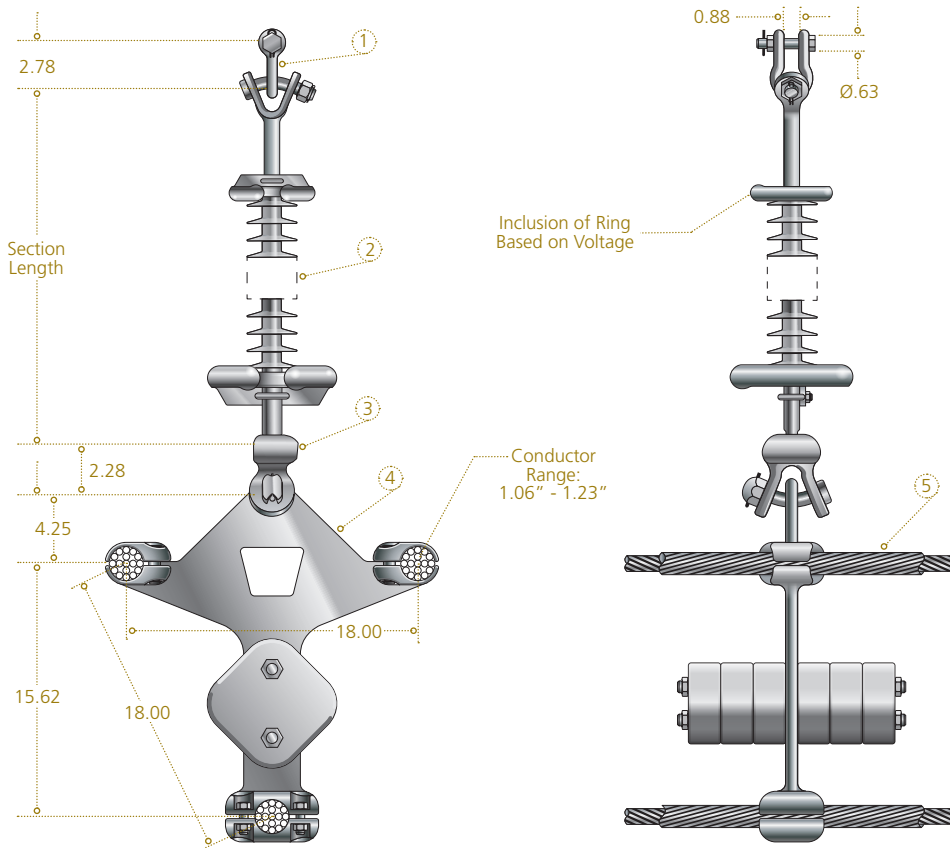
- (1) For jumper yokes with other conductor ranges or different amounts of weight, please contact HPS.
- (2) See Armor Rod section for rod set based on conductor application.

EHV Jumper Support, 3-Bundle Conductor

Single Insulator with Weights 30k lb Assembly, 345kV - 500kV

ASSEMBLY

TAJ31CVN



Base Assembly Bill of Material

Item	Part Number	Description	Quantity	Material	UBS lb
1	AS25LBNKCVN	Anchor Shackle	1	Forged Steel	30,000
2	See Chart	Insulator, ANSI 52-5	1	Polymer	—
3	SYC133SN	Socket Y-Clevis	1	Forged Steel	30,000
4	YPJ310251891300CVN ⁽¹⁾	Jumper Yoke Assembly	1	Aluminum	10,000
5	See Note 2	Armor Rods	1	Aluminum	—

Typical Insulator Selection

Line Voltage (kV)	Quadri*Sil® Part Number	Section Length Inches	SML lb	Corona Ring
345	S030103S201B	115.3	30,000	12" Line End
500	S030155S201D	167.2	30,000	15" Line End 8" Ground End

NOTE: for quoting/ordering instructions, see Assemblies section.

(1) For jumper yokes with other conductor ranges or different amounts of weight, please contact HPS.

(2) See Armor Rod section for rod set based on conductor application.

Construction Accessories & Fasteners

results

Construction Accessories & Fasteners Index

Construction Accessories

PSSLV Conductor Pulling SleevesJ-1

Fasteners

BW Belleville Spring WashersJ-3

HB Hex Head BoltsJ-3

HN Hex NutsJ-5

HW Split Ttype LockwashersJ-5

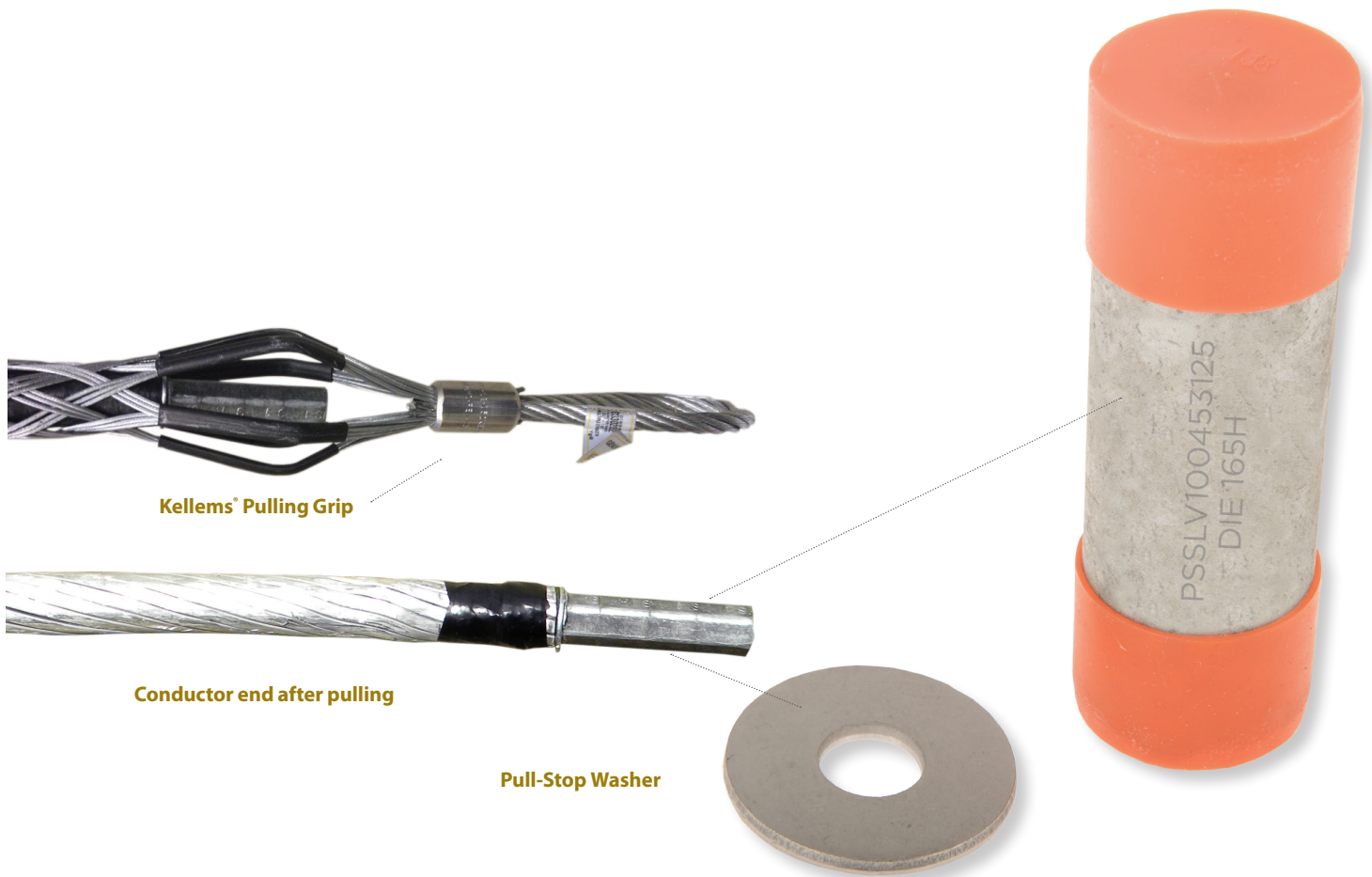
HF FlatwashersJ-5

SSHDW Stainless Steel Bolt Hardware KitsJ-6

Conductor Pulling Sleeves

Features

- Prevents conductor steel core slip during wire pulling of ACSS, ACSS/TW and ACSR/SD conductors.
- Helps to prevent conductor damage and costly re-stringing operations
- Cuts wire stringing time to achieve a secure grip on wire under stringing tension



precision

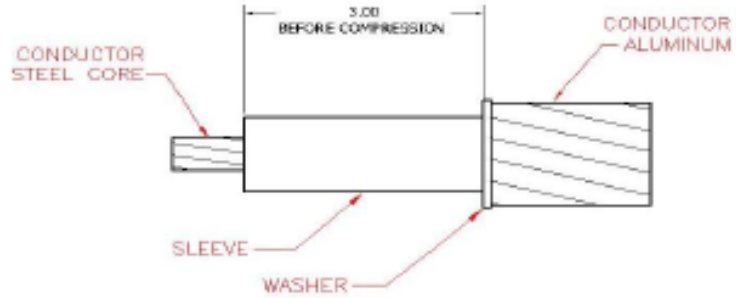
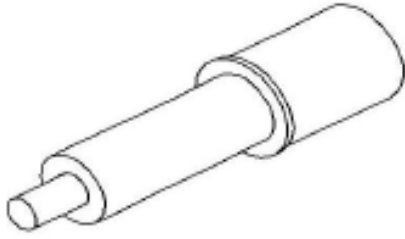
Pulling Sleeves

STEEL

PSSLV

Crimp sleeve and washer prevent steel core slip due to aluminum strand elongation during conductor pulling operations with ACSS, ACSS/TW and ACSR/SD conductors.

Material: galvanized steel



Product Data and Conductor Size

Catalog Number	Washer		Conductors ⁽¹⁾									
	O.D.	I.D.	ACSS	O.D. / Core	ACSS/TW & ACSR/SD	TW O.D.	SD O.D.	Core	Die Size	Press Min. Tons		
PSSLV100453100	1.000	0.438	795 26/7	1.108 / 0.408	795 20/7T16 954 20/7T13	1.010 1.084	1.077 1.147	0.408 0.399	16SH	60		
PSSLV100453125	1.250	0.438	954 54/7 1033.5 54/7	1.196 / 0.399 1.245 / 0.415	1033.5 22/7T13	1.128	1.191	0.415				
PSSLV100469125	1.250	0.500	1113 54/19	1.293 / 0.431	1113 38/19T13 959.6 22/7T16	1.185 1.108	1.233	0.431 0.448				
PSSLV100484125	1.250	0.500			1192.5 38/19T13 1233.6 38/19T13	1.225 1.245	1.247	0.446 0.455				
PSSLV100484141	1.407	0.500	1192.5 54/19	1.338 / 0.446								
PSSLV113500125	1.250	0.500			1272 38/19T13 1351.5 38/19T13	1.264 1.300	1.378 1.417	0.461 0.475			18SH	100
PSSLV113500141	1.407	0.500	1272 54/19 1351.5 54/19	1.382 / 0.461 1.424 / 0.475								
PSSLV113547138	1.375	0.563	1590 54/19	1.545 / 0.515	1433.6 39/19T13 1590 42/19T13			0.489 0.515				
PSSLV125609163	1.625	0.594			1926.9 42/19T13			0.567				

(1) Consult Factory for conductor pulling sleeve requirements not listed here.

Belleville Springs — *Stainless Steel*

Note: Fasteners listed are offered only to replace original parts in new HPS products. For any other use, purchaser accepts full responsibility for part application and service performance.

Material: *stainless steel*

Catalog Number	Compression Rating —Pounds—	Bolt Dia. Inches	Outside Dia. Inches	Thickness Inches	Approx. Wt./100 Lbs. (kg)
BW500	3,750	.50	1.06	11	3.8 (1.72)

STAINLESS STEEL

BW



Hex Head Bolts — *Aluminum*

Material: *2024—T4 aluminum alloy with #205 alumilite finish*

Catalog Number	Die & Thread —Inches—	Length —Inches—	Approx. Wt./100 Lbs. (kg)
HBA150	.50"-13	1.50	4.2 (1.9)
HBA175		1.75	4.7 (2.1)
HBA200		2.00	5.2 (2.4)
HBA225		2.25	5.7 (2.6)
HBA250		2.50	6.2 (2.8)
HBA275		2.75	6.7 (3.0)
HBA300		3.00	7.2 (3.3)
HBA350		3.50	8.2 (3.7)

ALUMINUM

HBA



Hex Head Bolts — *Silicon Bronze*

Material: *high strength silicon bronze*

Catalog Number	Die & Thread —Inches—	Length —Inches—	Approx. Wt./100 Lbs. (kg)
HBB150	.50"-13	1.50	11.7 (5.0)
HBB175		1.75	13.1 (5.9)
HBB200		2.00	14.5 (6.6)
HBB225		2.25	15.9 (7.2)
HBB250		2.50	17.3 (7.8)
HBB275		2.75	18.7 (8.5)
HBB300		3.00	20.1 (9.1)
HBB350		3.50	22.8 (10.3)

BRONZE

HBB



Fasteners Hex Head Bolts — Galvanized Steel

Note: Fasteners listed are offered only to replace original parts in new HPS products. For any other use, purchaser accepts full responsibility for part application and service performance.

Material: carbon steel – galvanized

Catalog Number	Die & Thread —Inches—	Length —Inches—	Approx. Wt./100 Lbs. (kg)
HBG150	.50"-13	1.50	11.6 (5.3)
HBG175		1.75	13.0 (5.9)
HBG200		2.00	14.5 (6.6)
HBG225		2.25	15.7 (7.1)
HBG250		2.50	17.3 (7.8)
HBG275		2.75	18.5 (8.4)

GALVANIZED STEEL

HBG



Hex Head Bolts — Stainless Steel

Material: 18-8 stainless steel uncoated

Catalog Number	Die & Thread —Inches—	Length —Inches—	Approx. Wt./100 Lbs. (kg)
HBS150	.50"-13	1.50	11.6 (5.3)
HBS175		1.75	13.1 (5.9)
HBS200		2.00	14.5 (6.6)
HBS225		2.25	15.7 (7.1)
HBS250		2.50	17.3 (7.8)
HBS275		2.75	18.5 (8.4)
HBS300		3.00	19.9 (9.0)
HBS350		3.50	23.0 (10.4)

STAINLESS STEEL

HBS



Fasteners — Aluminum, Silicon Bronze, Galvanized Steel & Stainless Steel

Note: Fasteners listed are offered only to replace original parts in new HPS products. For any other use, purchaser accepts full responsibility for part application and service performance.

Catalog Number	Material	Size & Thread Inches	Width Inches	Thickness Inches	Approx. Wt./100 Lbs. (kg)
HNA500	Aluminum 6061-T6 Dry Wax Coated	.50-13	.75	.44	1.4 (.6)
HNB500	Silicon Bronze High Strength	.50-13	.75	.44	3.8 (1.7)
HNG500	Galvanized Steel	.50-13	.75	.44	3.8 (1.7)
HNS500	Stainless Steel 18-8	.50-13	.75	.44	3.8 (1.7)

NUTS

HN

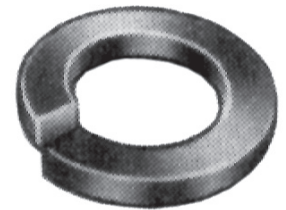


Split Type Lockwashers — Aluminum, Silicon Bronze, Galvanized Steel & Stainless Steel

Catalog Number	Material	Bolt Dia. Inches	Thickness Inches	Approx. Wt./100 Lbs. (kg)
HWA500	Aluminum 7075-T6 Etch Finish	.50	.14	.7 (.32)
HWB500	Silicon Bronze High Strength	.50	.14	2.0 (.91)
HWG500	Galvanized Steel	.50	.14	1.8 (.82)
HWSL500	Stainless Steel 18-8	.50	.14	3.9 (1.77)

LOCKWASHERS

HW

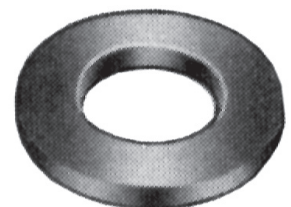


Flatwashers — Aluminum, Silicon Bronze, Galvanized Steel & Stainless Steel

Catalog Number	Material	Bolt Dia. Inches	Outside Dia. Inches	Thickness Inches	Approx. Wt./100 Lbs. (kg)
HFA500	Aluminum 7075-T6 Plain	.50	1.06	.09	.7 (.32)
HFB500	Silicon Bronze High Strength	.50	1.06	.09	2.0 (.91)
HFG500	Galvanized Steel	.50	1.06	.11	1.8 (.82)
HFS500	Stainless Steel 18-8	.50	1.06	.08	2.1 (.9)

FLATWASHERS

HF



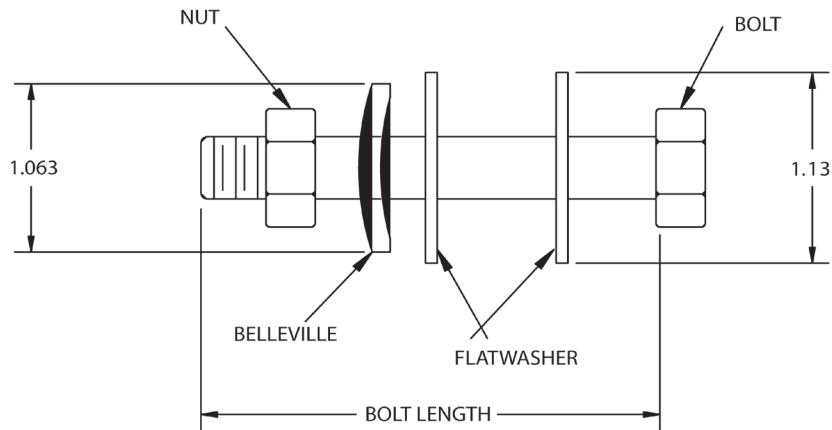
Fasteners — Stainless Steel Terminal Hardware Sets

Stainless steel two-hole or four-hole terminal hardware sets designed for joining aluminum to copper or bronze pads. Belleville washer torqued to 40 foot-pounds maintains pressure during expansion and contraction of the terminal pads.

STAINLESS STEEL

SSHDW

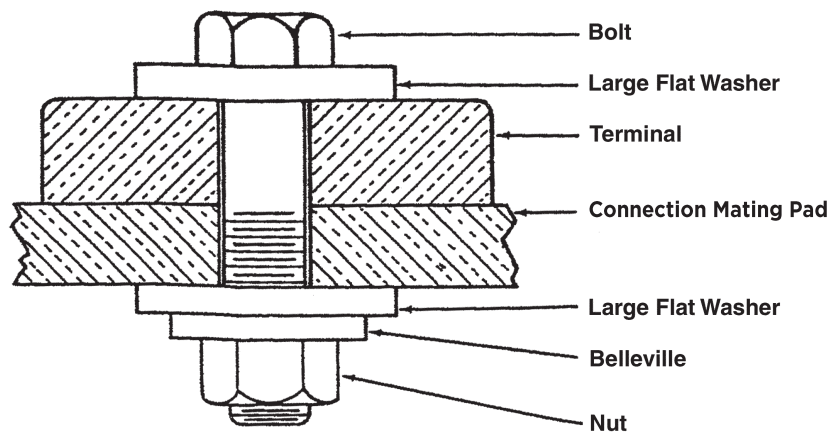
Note: See component catalog pages for details.



Product Data and Conductor Size

CATALOG NUMBER	BOLT LENGTH	QTY.	BOLT	QTY.	FLATWASHER	QTY.	BELLEVILLE	QTY.	NUT
SS2HDW200	1/2"-13 X 2.00"	2	HBS200	4	HFS5001	2	BW500	2	HNS500
SS2HDW225	1/2"-13 X 2.25"	2	HBS225	4	HFS5001	2	BW500	2	HNS500
SS2HDW250	1/2"-13 X 2.50"	2	HBS250	4	HFS5001	2	BW500	2	HNS500
SS4HDW200	1/2"-13 X 2.00"	4	HBS200	8	HFS5001	4	BW500	4	HNS500
SS4HDW225	1/2"-13 X 2.25"	4	HBS225	8	HFS5001	4	BW500	4	HNS500
SS4HDW250	1/2"-13 X 2.50"	4	HBS250	8	HFS5001	4	BW500	4	HNS500

Suggested method of mounting connectors



Reference Data

results



Aluminum and Bronze Connectors — Alloys, Connectors, Hardware & Installation

In over 100 years of serving the electrical industry, Anderson and Fargo have earned a reputation for being creative leaders in the design and manufacture of electrical connectors, fittings and related accessories. The acceptance of these responsibilities is best exemplified through our wholly self-sufficient facilities. Design Engineering, Testing and Metallurgical Laboratories, and all facets of Manufacturing are geared for research, development and production of a full line of quality bronze, aluminum and ductile iron products.

The following information conveys helpful reference for material composition, installation, standardization and definitions applying to connectors and fittings as developed during our years of experience.

Aluminum Connectors

Aluminum Alloys:

Connectors and fittings requiring high mechanical properties are cast from aluminum alloy 356. Sand cast 356 is heat treated to the T6 temper, and permanent mold castings are heat treated to the T61 temper. The 356 alloy is a 7 per cent silicon—0.3 per cent magnesium-aluminum alloy. The alloy is not susceptible to stress corrosion or season cracking. Its volume conductivity is approximately 39 per cent, I.A.C.S.

Cast compression connectors requiring a soft high conductivity aluminum are supplied from 99 plus per cent pure aluminum. Other aluminum compression connectors are made from commercially pure high conductivity wrought aluminum.

Installation Recommendations For Aluminum Connectors

Select type of connector from those listed below and follow the indicated procedure.

CONNECTOR TYPE	INSTALLATION PROCEDURE
Bolted	Procedure #1
Compression	Procedure #2
Compression and Bolted...	Procedure #2 followed by Procedure #1

PROCEDURE #1—BOLTED CONNECTIONS

- A. For aluminum to aluminum connections.
 1. Vigorously clean all contact surfaces of the connector and conductor with a stiff stainless steel wire brush to remove oxides. A typically bright aluminum surface should be obtained.
 2. Immediately coat these contact areas with a generous amount of contact sealant.
 3. Install fitting with bolts finger tight. If a generous bead of compound does not appear, remove the conductor and add more sealant.

4. Alternately (criss-cross) and evenly tighten bolts with a torque wrench to the values shown on page 6.
5. Excess sealant squeezed out of joint can be left as is or can be lightly smoothed along contact line.
6. All excess sealant must be removed from EHV Connectors and entirely from cable insulation.

PROCEDURE #2—COMPRESSION CONNECTIONS

1. Vigorously clean the conductor contact area with a stainless steel brush. Single-die connectors will have joint compound/inhibitor applied at the factory.
2. Fully insert the conductor into the barrel and crimp. Crimping should begin nearest the center of sleeve type connectors. For closed barrel type connectors crimping should begin at the closed end and work toward the open end. Excess joint compound/inhibitor squeezed out of the connector must be removed from EHV Connectors or any cable insulation.

Installation Recommendations for Aluminum to Copper Connections Using Aluminum Connectors

Connectors with contact sealant—Aluminum connectors can be used for making aluminum to copper connections if the proper installation care is observed. This includes the use of a sealant in accordance with practices outlined above. Use of a sealant protects the connection from oxide formation and electrolytic corrosion for as long as it remains present in the connection completely coating the surfaces and sealing out moisture.

Added protection in addition to sealants is available. Aluminum distribution connectors can be supplied with plating or with copper lined contacts.

Bi-Metallic Transition Plates—Aluminum to copper connections between flat NEMA drilled tongues and bars can be made using transition plates (Type TP). These plates are formed from sheets of 80% aluminum 20% copper which are molecularly bonded together. Best results are obtained by using contact sealant. Always position the aluminum conductor above the copper conductor.

Aluminum and Bronze Connectors — Alloys, Connectors, Hardware & Installation

Tin Plating—Tin plating can be furnished on certain connectors by adding suffix “GP” to the catalog number, aluminum distribution.

Hardware—Anodized Aluminum Clamping Bolts are standard with most Aluminum Power Connectors assembled at factory. The bolts are fabricated 2024-T4, 2014-T4 or equal aluminum and are anodized. After anodizing, the coating is sealed with a dichromate solution which imparts a yellow-green finish.

Standard nuts furnished on aluminum bolts are 6061 T6 dry waxed coated.

Insulator attachment hardware for bus supports is galvanized steel.

Bronze Bolted Clamps

Bronze bolted deadend and suspension clamps require high tensile strength and corrosion resistance in application are cast from Anderson Alloy 112 (ASTM B-30 Alloy No. C95500). The 112 alloy is a 10% aluminum, 4.5% nickel copper alloy with a minimum tensile strength of 90,000 PSI.

Contact Sealants, Inhibitors and Joint Compounds—Various sealant formulations have been developed to provide improved electrical and mechanical performance as well as environmental protection to the contact area. Non-petroleum base sealants are provided for underground applications and other applications where natural or synthetic rubber goods might be adversely affected.

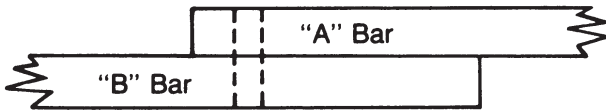
Non-gritted sealants, generally referred to as joint compounds, are recommended for flat connections and as a groove sealant in bolted connectors.

Our gritted sealants are primarily used in compression connectors. Aluminum single-die compression connectors have sealant applied at the factory.

See Joint Compound / Inhibitor catalog section for details.

Recommended Types of Hardware and Installation Mounting

Hardware for Joining Like or Unlike Metals



If "A" BAR is	Cu	AL	AL	Galvanized Steel	Galvanized Steel
and "B" BAR is	Cu	Cu	AL	Cu	AL
Recommended Series of Hardware	(1) Si-Br (2) SS (3) GS	(1) SS or GS	(1) AL (2) SS or GS	(1) Si-Br (2) SS or GS	(1) AL (2) SS or GS

KEY:

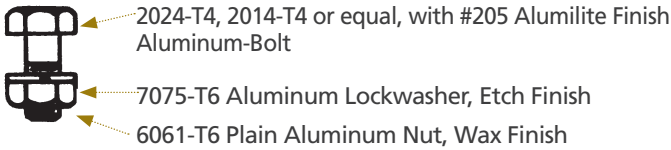
Si-Br—Silicon Bronze GS—Galvanized Steel
 SS—Stainless Steel AL—Aluminum
 (1) denotes preferred hardware usage.

NOTE:

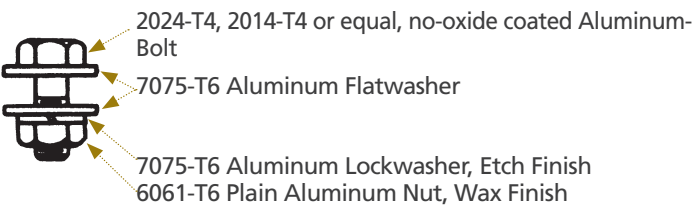
Contact sealant should be used between Aluminum to Aluminum and Aluminum to Copper connections.

Aluminum Connectors

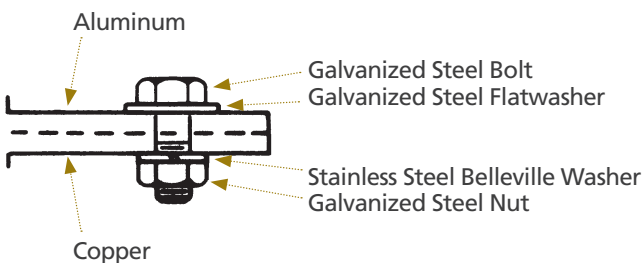
Aluminum Connector (Clamping Hardware)



Aluminum To Aluminum Assemblies (Tongue Mounting Hardware As Assembled At Factory)



Aluminum To Copper Assemblies (Tongue Mounting Hardware)

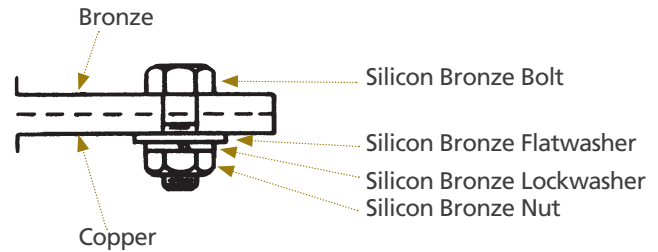


Bronze Connectors

Bronze Connector (Clamping Hardware)



Bronze To Copper Assemblies (Tongue Mounting Hardware)



Recommended Torque Values for Bolted Connectors

Tightening Force Applied to Hardware: Following are ANDERSON'S recommended torque values applying to all clamping hardware used in connectors and fittings.

NOTE:

Care should be taken to prevent sealant from being applied to hardware since torque values will be affected if the hardware becomes lubricated with sealant.

Bolt Dia.	Recommended Torque Non-Lubricated Steel & Silicon Bronze Hardware lb. inches	Recommended Torque Lubricated Hardware & Aluminum Hardware lb. inches*
5/16"	180	120
3/8"	240	168
1/2"	480	300
5/8"	660	480
3/4"	840	720

*Reduced torque limits apply when replacing aluminum clamping hardware with steel in bolted aluminum connectors.

Ampacity Ratings of Anderson & Fargo

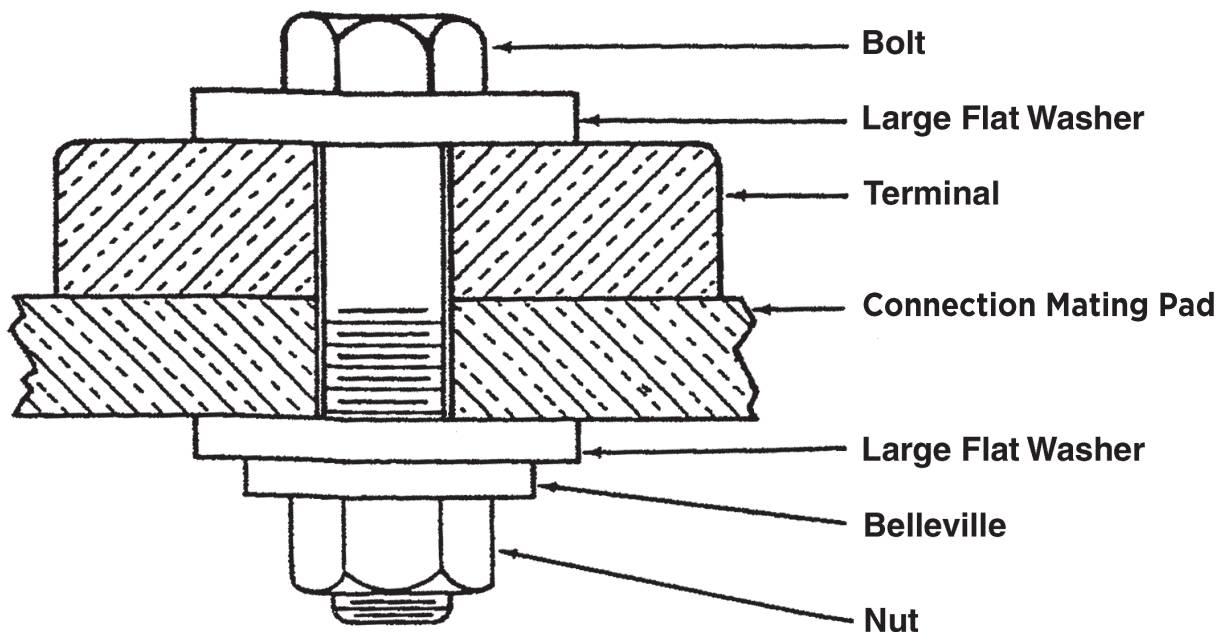
Heavy Duty ⁽¹⁾ Bolted Pad Connectors Compression, Welded and Close-Fit Bolted Designs

Product Data and Conductor Size					
Bolted Pad		Bolts ⁽²⁾		Ampacity (A) ⁽⁴⁾	
Dimensions (in)		Number	Size (in)	Inhibitor Type	
Width	Length			Standard	HTJC ⁽³⁾
1.5	3.0	2	0.5	1220	1400
2.0	3.0	2	0.5	1260	1450
3.0	3.0	4	0.5	2450	2825
4.0	4.0	4	0.5	2580	3000
6.0	4.0	6	0.5	3825	4400

NOTES:

- (1) Heavy duty connectors are defined as having continuous cross section about the periphery of the conductor and through the pad, equal to or greater than 125% of the conductor.
- (2) Ratings assume use of steel clamping bolts and Belleville spring washers. Higher ampacity ratings can be achieved if conductive bolts, nuts and washers are used.
- (3) HTJC is the Anderson/FARGO conductive grit joint compound, recommended for maximum conductivity in compression and bolted pad joints.
- (4) Ratings are based on conductor temperature of 90°C in 40°C ambient, 2 ft/sec. cross wind.

Suggested method of mounting connectors



Conductor Temperature Limits Anderson & Fargo

Anderson / Fargo Clamps and Connectors

Product Data and Conductor Size				
Typical Catalog Number Series	Clamp / Connector Description	Maximum Conductor Temperature ° C		
		Bare	w/Armor Rods	w/Line Guards
AAC, AAAC, ACAR & ACSR rated Connectors⁽¹⁾ & Clamps				
PG/SD	Bolted Deadend Strain Clamp (on ACSR or ACAR)	93	—	—
PG/SD	Bolted Deadend Strain Clamp (on AAC or AAAC)	130	—	—
A01	Compression Deadend, Single-Die type	93	—	—
A15	Compression Splice, Single-Die type	93	—	—
SEDA	Compression Deadend, Two-Die type	93 ⁽⁴⁾	—	—
TJA	Compression Splice, Two-Die type	93 ⁽⁴⁾	—	—
JLS/40	Compression jumper loop splice	93	—	—
ACF/JT/30	Compression jumper terminals	93	—	—
ORT	Compression Tee	93	—	—
HAS/CFS/TSC	Bolted Suspension Clamps	130	160	150
ACSS rated Connectors⁽²⁾ & Clamps				
SEDA	Compression Deadend, Two-Die ACSS type	250	—	—
TJA	Compression Splice, Two-Die ACSS type	250	—	—
30/40	Compression jumper loop splice, ACSS type	250	—	—
ORT	Compression Tee, ACSS type	250	—	—
CFSHT	Suspension Clamp, Hi-Temp Aluminum	200	250	250
TSCHT	Suspension Clamp, Trunnion, Hi-Temp Aluminum	150 ⁽³⁾	250	200 ⁽³⁾
97642/JLC	Jumper clamp single conductor clamp to post insulator	150 ⁽³⁾	250	200 ⁽³⁾
271	Jumper clamp assemblies, bundled conductor	250	250	250

NOTES:

- (1) AAC, AAAC, ACAR & ACSR compression connectors installed with standard joint compound, FARGO type UJC.
- (2) ACSS compression connectors installed with FARGO hi-temp, conductive-grit joint compound, FARGO type HTJC.
- (3) Limited by 80 deg C max requirement for clamptop end fitting on line post insulators.
- (4) These connectors, when properly installed with Fargo type UJC compound can be used on ACSR conductors up to 130° C or, with Fargo type HTJC compound on conductors up to 180° C. However, the aluminum conductor strands will anneal above 93 deg C. This annealing effect is cumulative and will, over time, reduce the available tension strength to that of the steel core.

Letter Suffix Designations

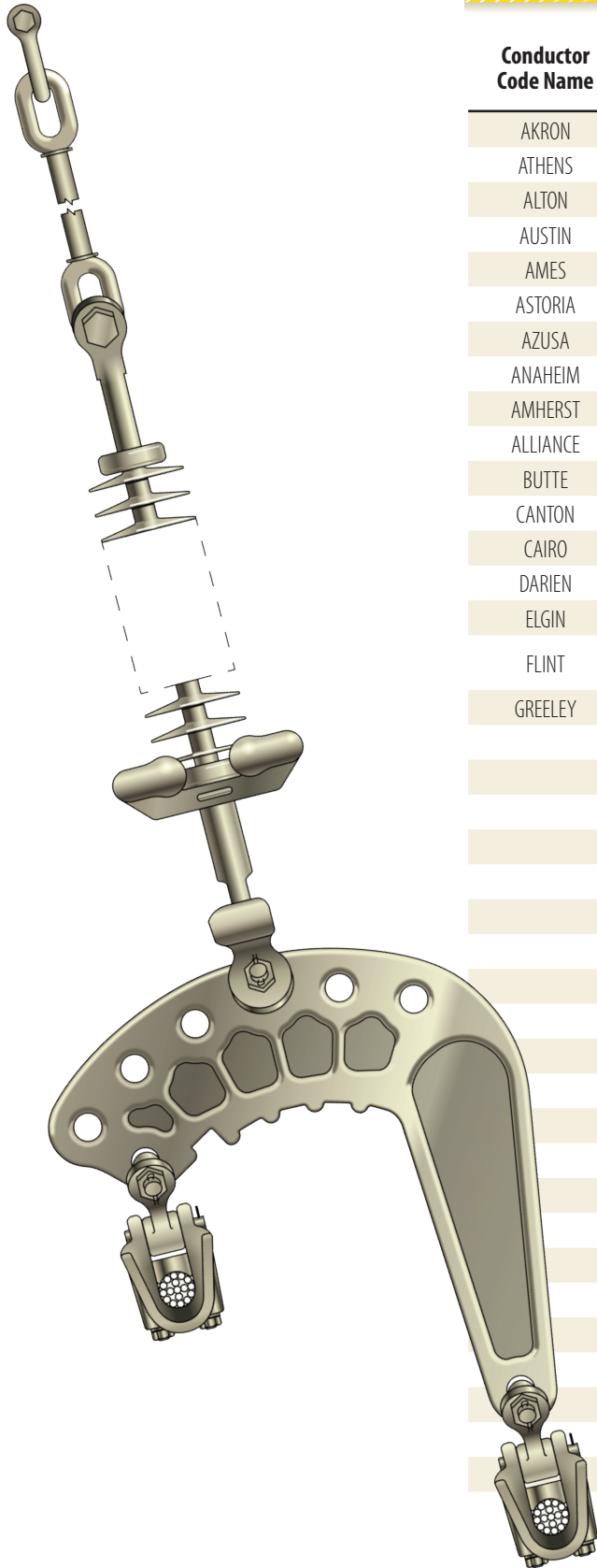
Letter Suffix Designations to Standard Catalog Numbers for Special Features

A suffix added to a catalog number denotes a change or modification is to be made to the standard catalog item. Suffixes listed below do not include special customer-specific modifications but only those having general application.

Bolted Connectors	
Catalog No. Suffix	Description of Change or Modification
BNK	Bolt, nut and cotter key will be supplied instead of usual clevis pin.
BNN	Bolt, nut and jam nut will be supplied instead of usual clevis pin.
BW	Belleville washers will be supplied instead of usual washer.
C	A clevis fitting will be supplied with strain, suspension and dead end clamps.
CRF	Corona free strain clamp.
FW	A flatwasher will be supplied instead of a lockwasher.
GA	Galvanized hardware will be supplied instead of usual hardware.
LN	A locknut will be supplied instead of usual hardware.
LW	A lockwasher will be supplied instead of a flatwasher.
N	Neither socket nor clevis fittings will be supplied with suspension, or dead end clamps.
S	A socket will be supplied with suspension and dead end clamp
SP	The catalog number specified is to be modified for particular requirement which the item will not otherwise fill. (Special)
UD	An undrilled tongue will be supplied on terminals or lugs
X	A hex nut will be supplied with shackles instead of usual jam nut.
XB	The connector will be supplied with the grooves coated with a petroleum based sealant and enclosed in a polyethylene bag.

Compression Connectors	
Catalog No. Suffix	Description of Change or Modification
NT	No Terminal. Assembly is supplied without Terminal.
NP	No Pad. Assembly is supplied without NEMA pad.
NPNT	No Pad; No Terminal. Assembly is supplied without NEMA Pad and without Terminal.
SS	Stainless Steel hardware is supplied instead of usual hardware.
XL	Extra Length for repair application. One-Die Unigrip product offerings.
1	Single Piece Gripping Unit identifier for One-Die Unigrip product offerings.
P4	4-Hole pad instead of 2-Hole pad.
A253	Special conductor size.
BSP	Bar Stock Pad identifier.
HT	High Temperature Application Identifier.
SSAC	Designed for ACSS Conductor.
STW	Designed for ACSS/TW Conductor.
SW	Shield Wire Connector identifier.
SWD	Shield Wire Deadend Connector Identifier.
S	Two Hole Pad - Vertical Eye; Shield Wire Deadend.
SH	Two Hole Pad - Horizontal Eye; Shield Wire Deadend.
J	U-Bolt Jumper Pad - Vertical Eye; Shield Wire Deadend
JH	U-Bolt Jumper Pad - Horizontal Eye; Shield Wire Deadend.

AAAC Conductor Chart



Conductor Data

Conductor Code Name	Strand	Diameter	Diameter Over Armor Rods	Rod Diameter
AKRON	AAAC 6 str (7)	0.197	0.439	0.121
ATHENS	AAAC 5 str (7)	0.221	0.463	0.121
ALTON	AAAC 4 str (7)	0.248	0.540	0.146
AUSTIN	AAAC 3 str (7)	0.279	0.571	0.146
AMES	AAAC 2 str (7)	0.314	0.586	0.136
ASTORIA	AAAC 1 str (7)	0.352	0.644	0.146
AZUSA	AAAC 1/8 str (7)	0.395	0.729	0.167
ANAHEIM	AAAC 3/8 str (7)	0.448	0.782	0.167
AMHERST	AAAC 3/8 str (7)	0.503	0.837	0.167
ALLIANCE	AAAC 1/2 str (7)	0.565	0.929	0.182
BUTTE	AAAC 312.8 kcmil str (19)	0.642	1.006	0.182
CANTON	AAAC 394.6 kcmil str (19)	0.721	1.129	0.204
CAIRO	AAAC 466.3 kcmil str (19)	0.784	1.284	0.250
DARIEN	AAAC 559.6 kcmil str (19)	0.858	1.358	0.250
ELGIN	AAAC 652.4 kcmil str (19)	0.927	1.427	0.250
FLINT	AAAC 740.8 kcmil str (37) AAAC 833.6 kcmil str (37)	0.991 1.051	1.611 1.671	0.310 0.310
GREELEY	AAAC 927.2 kcmil str (37)	1.108	1.728	0.310
	AAAC 932.6 kcmil str (37)	1.112	1.732	0.310
	AAAC 1000 kcmil str (37)	1.151	1.771	0.310
	AAAC 1092.3 kcmil str (61)	1.204	1.824	0.310
	AAAC 1100 kcmil str (37)	1.207	1.827	0.310
	AAAC 1127 kcmil str (37)	1.221	1.951	0.365
	AAAC 1193.9 kcmil str (61)	1.259	1.989	0.365
	AAAC 1200 kcmil str (61)	1.263	1.993	0.365
	AAAC 1250 kcmil str (61)	1.288	2.018	0.365
	AAAC 1272 kcmil str (61)	1.300	2.030	0.365
	AAAC 1300 kcmil str (61)	1.314	2.044	0.365
	AAAC 1400 kcmil str (61)	1.364	2.094	0.365
	AAAC 1431 kcmil str (61)	1.382	2.112	0.365
	AAAC 1500 kcmil str (61)	1.411	2.283	0.436
	AAAC 1600 kcmil str (61)	1.458	2.330	0.436
	AAAC 1691 kcmil str (61)	1.498	2.370	0.436
	AAAC 1700 kcmil str (61)	1.502	2.374	0.436
	AAAC 1750 kcmil str (61)	1.525	2.397	0.436
	AAAC 1800 kcmil str (61)	1.546	2.418	0.436
	AAAC 1900 kcmil str (61)	1.588	2.460	0.436
	AAAC 2000 kcmil str (61)	1.630	2.502	0.436
	AAAC 2049.5 kcmil str (61)	1.650	2.522	0.436
	AAAC 2300 kcmil str (91)	1.749	2.621	0.436
	AAAC 2500 kcmil str (91)	1.823	2.695	0.436

ACAR Conductor Chart

Conductor Data

Strand	Diameter	Diameter Over Armor Rods	Rod Diameter
ACAR 503.6 kcmil (15/4)	0.814	1.314	0.250
ACAR 545 kcmil (15/7)	0.850	1.350	0.250
ACAR 587.2 kcmil (15/4)	0.879	1.379	0.250
ACAR 649.5 kcmil (18/19)	0.927	1.427	0.250
ACAR 653.1 kcmil (12/7)	0.927	1.427	0.250
ACAR 653.1 kcmil (12/7)	0.927	1.427	0.250
ACAR 739.8 kcmil (18/19)	0.990	1.610	0.310
ACAR 853.7 kcmil (30/7)	1.063	1.683	0.310
ACAR 853.7 kcmil (24/13)	1.063	1.683	0.310
ACAR 927.2 kcmil (24/13)	1.108	1.728	0.310
ACAR 1024.5 kcmil (30/7)	1.165	1.785	0.310
ACAR 1024.5 kcmil (24/13)	1.165	1.785	0.310
ACAR 1080.6 kcmil (24/13)	1.196	1.816	0.310
ACAR 1080.6 kcmil (18/19)	1.196	1.816	0.310
ACAR 1109.0 kcmil (30/7)	1.212	1.942	0.365
ACAR 1109.0 kcmil (24/13)	1.212	1.942	0.365
ACAR 1172.0 kcmil (30/7)	1.246	1.976	0.365
ACAR 1172.0 kcmil (18/19)	1.246	1.976	0.365
ACAR 1198.0 kcmil (30/7)	1.259	1.989	0.365
ACAR 1198.0 kcmil (24/13)	1.259	1.989	0.365
ACAR 1277.0 kcmil (54/7)	1.302	2.032	0.365
ACAR 1277.0 kcmil (42/19)	1.302	2.032	0.365
ACAR 1361.5 kcmil (54/7)	1.345	2.075	0.365
ACAR 1534.4 kcmil (42/19)	1.427	2.299	0.436
ACAR 1703.0 kcmil (48/13)	1.504	2.376	0.436
ACAR 1798.0 kcmil (42/19)	1.545	2.417	0.436
ACAR 1933.0 kcmil (42/19)	1.602	2.474	0.436
ACAR 2338.0 kcmil (42/19)	1.762	2.634	0.436
ACAR 2338.0 kcmil (48/13)	1.762	2.634	0.436
ACAR 2493.0 kcmil (54/37)	1.821	2.693	0.436
ACAR 2493.0 kcmil (72/19)	1.821	2.693	0.436
ACAR 2500.0 kcmil (84/7)	1.823	2.695	0.436

AAC Conductor Chart

Conductor Data

Conductor Code Name	Strand	Diameter	Diameter Over Armor Rods	Rod Diameter	Diameter Over Line Guards	Line Guard Diameter
	AAC 14 sol	0.064	—	—	—	—
	AAC 12 sol	0.081	—	—	—	—
	AAC 10 sol	0.102	—	—	—	—
	AAC 9 sol	0.114	—	—	—	—
	AAC 8 sol	0.129	—	—	—	—
	AAC 7 sol	0.144	—	—	—	—
	AAC 6 sol	0.162	0.404	0.121	—	—
	AAC 5 sol	0.182	0.424	0.121	—	—
PEACHBELL	AAC 6 str (7)	0.184	0.426	0.121	0.388	0.102
	AAC 4 sol	0.204	0.446	0.121	0.408	0.102
	AAC 3 sol	0.229	0.471	0.121	0.471	0.121
ROSE	AAC 4 str (7)	0.232	0.524	0.146	0.474	0.121
	AAC 3 str (7)	0.260	0.552	0.146	0.502	0.121
IRIS	AAC 2 str (7)	0.292	0.584	0.146	0.534	0.121
PANSY	AAC 1 str (7)	0.328	0.620	0.146	0.570	0.121
	AAC 1 str (19)	0.332	0.624	0.146	0.574	0.121
POPPY	AAC 1/8 str (7)	0.368	0.660	0.146	0.610	0.121
	AAC 1/8 str (19)	0.373	0.665	0.146	0.615	0.121
ASTER	AAC 3/8 str (7)	0.414	0.706	0.146	0.656	0.121
	AAC 3/8 str (19)	0.419	0.711	0.146	0.661	0.121
PHLOX	AAC 3/8 str (7)	0.464	0.798	0.167	0.706	0.121
	AAC 3/8 str (19)	0.470	0.804	0.167	0.712	0.121
OXLIP	AAC 1/2 str (7)	0.522	0.856	0.167	0.764	0.121
	AAC 1/2 str (19)	0.528	0.862	0.167	0.770	0.121
VALERIAN	AAC 250 kcmil (19)	0.574	0.938	0.182	0.816	0.121
	AAC 250 kcmil (37)	0.575	0.939	0.182	0.817	0.121
LAUREL	AAC 266.8 kcmil (19)	0.586	0.950	0.182	0.878	0.146
	AAC 266.8 kcmil (37)	0.593	0.957	0.182	0.885	0.146
PEONY	AAC 300 kcmil (19)	0.629	0.993	0.182	0.921	0.146
	AAC 300 kcmil (61)	0.631	0.995	0.182	0.923	0.146
TUILP	AAC 336.4 kcmil (19)	0.666	1.030	0.182	0.958	0.146
DAFFODIL	AAC 350 kcmil (19)	0.679	1.043	0.182	0.971	0.146
	AAC 350 kcmil (37)	0.681	1.089	0.204	0.973	0.146
CANNA	AAC 397.5 kcmil (19)	0.727	1.135	0.204	1.019	0.146
	AAC 400 kcmil (37)	0.728	1.136	0.204	1.020	0.146
	AAC 450 kcmil (37)	0.772	1.180	0.204	1.064	0.146

AAC Conductor Chart *(continued)*

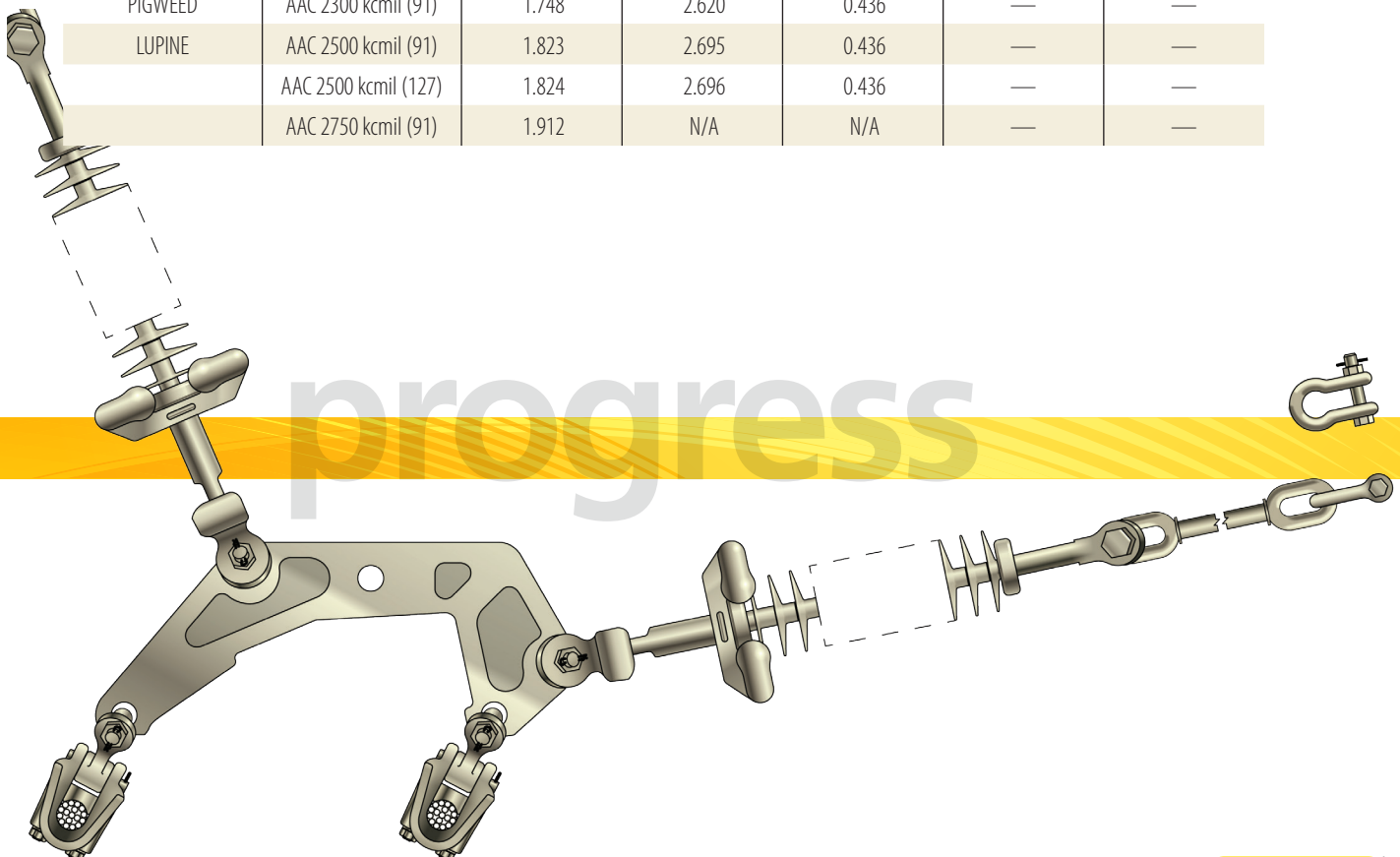
Conductor Data

Conductor Code Name	Strand	Diameter	Diameter Over Armor Rods	Rod Diameter	Diameter Over Line Guards	Line Guard Diameter
COSMOS	AAC 477 kcmil (19)	0.793	1.293	0.250	1.085	0.146
SYRINGA	AAC 477 kcmil (37)	0.795	1.295	0.250	1.087	0.146
ZINNIA	AAC 500 kcmil (19)	0.811	1.311	0.250	1.103	0.146
	AAC 500 kcmil (37)	0.813	1.313	0.250	1.105	0.146
	AAC 550 kcmil (61)	0.855	1.355	0.250	1.147	0.146
DAHLIA	AAC 556.5 kcmil (19)	0.856	1.356	0.250	1.148	0.146
MISTLETOE	AAC 556.5 kcmil (37)	0.858	1.358	0.250	1.150	0.146
MEADOWSWEET	AAC 600 kcmil (37)	0.891	1.391	0.250	1.183	0.146
	AAC 600 kcmil (61)	0.893	1.393	0.250	1.185	0.146
ORCHID	AAC 636 kcmil (37)	0.918	1.418	0.250	1.252	0.167
	AAC 650 kcmil (61)	0.929	1.429	0.250	1.263	0.167
	AAC 650 kcmil (91)	0.930	1.430	0.250	1.264	0.167
	AAC 700 kcmil (61)	0.964	1.464	0.250	1.328	0.182
VIOLET	AAC 715.5 kcmil (37)	0.974	1.474	0.250	1.338	0.182
NASTURTIUM	AAC 715.5 kcmil (61)	0.975	1.475	0.250	1.339	0.182
	AAC 750 kcmil (61)	0.998	1.618	0.310	1.362	0.182
ARBUTUS	AAC 795 kcmil (37)	1.026	1.646	0.310	1.390	0.182
LILAC	AAC 795 kcmil (61)	1.028	1.648	0.310	1.392	0.182
	AAC 800 kcmil (61)	1.031	1.651	0.310	1.395	0.182
ANEMONE	AAC 874.5 kcmil (37)	1.077	1.697	0.310	1.485	0.204
CROCUS	AAC 874.5 kcmil (61)	1.078	1.698	0.310	1.486	0.204
COCKSCOMB	AAC 900 kcmil (37)	1.092	1.712	0.310	1.500	0.204
	AAC 900 kcmil (91)	1.093	1.713	0.310	1.501	0.204
	AAC 900 kcmil (61)	1.094	1.714	0.310	1.502	0.204
MAGNOLIA	AAC 954 kcmil (37)	1.124	1.744	0.310	1.624	0.250
GOLDENROD	AAC 954 kcmil (61)	1.126	1.746	0.310	1.626	0.250
	AAC 1000 kcmil (61)	1.152	1.772	0.310	1.652	0.250
BLUEBELL	AAC 1033.5 kcmil (37)	1.170	1.790	0.310	1.670	0.250
LARKSPUR	AAC 1033.5 kcmil (61)	1.172	1.792	0.310	1.672	0.250
	AAC 1100 kcmil (91)	1.209	1.939	0.365	1.709	0.250
MARIGOLD	AAC 1113 kcmil (61)	1.216	1.946	0.365	1.716	0.250
HAWTHORN	AAC 1192.5 kcmil (61)	1.258	1.988	0.365	1.758	0.250
	AAC 1200 kcmil (91)	1.263	1.993	0.365	1.763	0.250
	AAC 1250 kcmil (91)	1.289	2.019	0.365	1.789	0.250

AAC Conductor Chart *(continued)*

Conductor Data

Conductor Code Name	Strand	Diameter	Diameter Over Armor Rods	Rod Diameter	Diameter Over Line Guards	Line Guard Diameter
NARCISSUS	AAC 1272 kcmil (61)	1.300	2.030	0.365	1.800	0.250
	AAC 1300 kcmil (91)	1.314	2.044	0.365	1.814	0.250
COLUMBINE	AAC 1351.5 kcmil (61)	1.340	2.070	0.365	1.840	0.250
	AAC 1400 kcmil (91)	1.364	2.094	0.365	1.864	0.250
CARNATION	AAC 1431 kcmil (61)	1.379	2.109	0.365	1.879	0.250
	AAC 1500 kcmil (91)	1.412	2.284	0.436	2.032	0.310
	AAC 1510.5 kcmil (61)	1.417	2.289	0.436	2.037	0.310
COREOPSIS	AAC 1590 kcmil (61)	1.454	2.326	0.436	2.074	0.310
	AAC 1590 kcmil (91)	1.454	2.326	0.436	2.074	0.310
	AAC 1600 kcmil (127)	1.459	2.331	0.436	2.079	0.310
	AAC 1700 kcmil (127)	1.504	2.376	0.436	2.124	0.310
	AAC 1750 kcmil (127)	1.526	2.398	0.436	—	—
	AAC 1800 kcmil (127)	1.548	2.420	0.436	—	—
COWSLIP	AAC 1900 kcmil (127)	1.590	2.462	0.436	—	—
	AAC 2000 kcmil (91)	1.630	2.502	0.436	—	—
	AAC 2000 kcmil (127)	1.632	2.504	0.436	—	—
	AAC 2250 kcmil (91)	1.729	2.601	0.436	—	—
	AAC 2300 kcmil (91)	1.748	2.620	0.436	—	—
LUPINE	AAC 2500 kcmil (91)	1.823	2.695	0.436	—	—
	AAC 2500 kcmil (127)	1.824	2.696	0.436	—	—
	AAC 2750 kcmil (91)	1.912	N/A	N/A	—	—



ACSR ACSS Conductor Chart

Conductor Data

Conductor Code Name	Strand	Core Diameter	Cable Diameter	Diameter Over Armor Rods	Rod Diameter	Diameter Over Line Guards	Line Guard Diameter	Size = ACSR Where Offered
Turkey	ACSR 6 (6/1)	0.066	0.198	0.440	0.121	0.402	0.102	—
Swan	ACSR 4 (6/1)	0.083	0.250	0.542	0.146	0.492	0.121	—
Swanate	ACSR 4 (7/1)	0.102	0.257	0.549	0.146	0.499	0.121	—
Sparrow	ACSR 2 (6/1)	0.105	0.316	0.588	0.136	0.558	0.121	—
Sparate	ACSR 2 (7/1)	0.129	0.325	0.617	0.146	0.567	0.121	—
Robin	ACSR 1 (6/1)	0.118	0.355	0.647	0.146	0.597	0.121	—
Raven	ACSR 1/0 (6/1)	0.132	0.398	0.732	0.167	0.640	0.121	—
Quail	ACSR 2/0 (6/1)	0.149	0.447	0.781	0.167	0.689	0.121	—
Petrel	ACSR 101.8 kcmil (12/7)	—	0.461	0.795	0.167	0.703	0.121	—
Minorca	ACSR 110.8 kcmil (12/7)	—	0.481	0.815	0.167	0.723	0.121	—
Pigeon	ACSR 3/0 (6/1)	0.167	0.502	0.836	0.167	0.744	0.121	—
Leghorn	ACSR 134.6 kcmil (12/7)	0.187	0.530	0.864	0.167	0.772	0.121	—
Penguin	ACSR 4/0 (6/1)	0.187	0.563	0.927	0.182	0.805	0.121	—
Guinea	ACSR 159.0 kcmil (12/7)	—	0.576	0.940	0.182	0.818	0.121	—
Dotterel	ACSR 176.9 kcmil (12/7)	—	0.607	0.971	0.182	0.899	0.146	—
Waxwing	ACSR 266.8 kcmil (18/1)	0.121	0.609	0.973	0.182	0.901	0.146	ACSS 266.8 kcmil (18/1)
Dorking	ACSR 190.8 kcmil (12/7)	—	0.631	0.995	0.182	0.923	0.146	—
Owl	ACSR 266.8 kcmil (6/7)	—	0.633	0.997	0.182	0.925	0.146	—
Partridge	ACSR 266.8 kcmil (26/7)	0.236	0.642	1.006	0.182	0.934	0.146	ACSS 266.8 kcmil (26/7)
Junco	ACSR 266.8 kcmil (30/7)	0.283	0.660	1.024	0.182	0.952	0.146	ACSS 266.8 kcmil (30/7)
Cochin	ACSR 211.3 kcmil (12/7)	—	0.663	1.027	0.182	0.955	0.146	—
Ostrich	ACSR 300.0 kcmil (26/7)	0.251	0.680	1.088	0.204	0.972	0.146	ACSS 300.0 kcmil (26/7)
Merlin	ACSR 336.4 kcmil (18/1)	0.136	0.684	1.092	0.204	0.976	0.146	ACSS 336.4 kcmil (18/1)
Woodcock	ACSR 336.4 kcmil (22/7)	0.206	0.701	1.109	0.204	0.993	0.146	ACSS 336.4 kcmil (22/7)
Brahma	ACSR 203.2 kcmil (16/19)	—	0.714	1.122	0.204	1.006	0.146	—
Linnet	ACSR 336.4 kcmil (26/7)	0.265	0.720	1.128	0.204	1.012	0.146	ACSS 336.4 kcmil (26/7)
Oriole	ACSR 336.4 kcmil (30/7)	0.318	0.741	1.149	0.204	1.033	0.146	ACSS 336.4 kcmil (30/7)
Chickadee	ACSR 397.5 kcmil (18/1)	0.148	0.743	1.151	0.204	1.035	0.146	ACSS 397.5 kcmil (18/1)
Ptarmigan	ACSR 397.5 kcmil (20/7)	0.188	0.752	1.160	0.204	1.044	0.146	ACSS 397.5 kcmil (20/7)
Brant	ACSR 397.5 kcmil (24/7)	0.257	0.772	1.180	0.204	1.064	0.146	ACSS 397.5 kcmil (24/7)
Ibis	ACSR 397.5 kcmil (26/7)	0.288	0.783	1.283	0.250	1.075	0.146	ACSS 397.5 kcmil (26/7)
Lark	ACSR 397.5 kcmil (30/7)	0.345	0.806	1.306	0.250	1.098	0.146	ACSS 397.5 kcmil (30/7)
Pelican	ACSR 477.0 kcmil (18/1)	0.162	0.814	1.314	0.250	1.106	0.146	ACSS 477.0 kcmil (18/1)
Tailorbird	ACSR 477.0 kcmil (20/7)	0.206	0.823	1.323	0.250	1.115	0.146	ACSS 477.0 kcmil (20/7)
Flicker	ACSR 477.0 kcmil (24/7)	0.282	0.846	1.346	0.250	1.138	0.146	ACSS 477.0 kcmil (24/7)
Hawk	ACSR 477.0 kcmil (26/7)	0.316	0.858	1.358	0.250	1.150	0.146	ACSS 477.0 kcmil (26/7)

ACSR ACSS Conductor Chart (continued)

Conductor Data

Conductor Code Name	Strand	Core Diameter	Cable Diameter	Diameter Over Armor Rods	Rod Diameter	Diameter Over Line Guards	Line Guard Diameter	Size = ACSR Where Offered
Osprey	ACSR 556.5 kcmil (18/1)	0.175	0.879	1.379	0.250	1.171	0.146	ACSS 556.5 kcmil (18/1)
Hen	ACSR 477.0 kcmil (30/7)	0.378	0.883	1.383	0.250	1.175	0.146	ACSS 477.0 kcmil (30/7)
Sapsucker	ACSR 556.5 kcmil (22/7)	0.265	0.901	1.401	0.250	1.235	0.167	ACSS 556.5 kcmil (22/7)
Parakeet	ACSR 556.5 kcmil (24/7)	0.305	0.914	1.414	0.250	1.248	0.167	ACSS 556.5 kcmil (24/7)
Dove	ACSR 556.5 kcmil (26/7)	0.341	0.927	1.427	0.250	1.291	0.182	ACSS 556.5 kcmil (26/7)
Swift	ACSR 636.0 kcmil (36/1)	0.133	0.930	1.430	0.250	1.294	0.182	ACSS 636.0 kcmil (36/1)
Kingbird	ACSR 636.0 kcmil (18/1)	0.188	0.940	1.440	0.250	1.304	0.182	ACSS 636.0 kcmil (18/1)
Peacock	ACSR 605.0 kcmil (24/7)	0.318	0.953	1.453	0.250	1.317	0.182	ACSS 605.0 kcmil (24/7)
Eagle	ACSR 556.5 kcmil (30/7)	0.407	0.953	1.453	0.250	1.317	0.182	ACSS 556.5 kcmil (30/7)
Squab	ACSR 605.0 kcmil (26/7)	0.356	0.966	1.466	0.250	1.330	0.182	ACSS 605.0 kcmil (26/7)
Goldfinch	ACSR 636.0 kcmil (22/7)	0.283	0.963	1.463	0.250	1.327	0.182	ACSS 636.0 kcmil (22/7)
Rook	ACSR 636.0 kcmil (24/7)	0.326	0.977	1.597	0.310	1.341	0.182	ACSS 636.0 kcmil (24/7)
Grosbeak	ACSR 636.0 kcmil (26/7)	0.365	0.990	1.610	0.310	1.354	0.182	ACSS 636.0 kcmil (26/7)
Wood Duck	ACSR 605.0 kcmil (30/7)	0.426	0.994	1.614	0.310	1.358	0.182	ACSS 605.0 kcmil (30/7)
Teal	ACSR 605.0 kcmil (30/19)	0.426	0.994	1.614	0.310	1.358	0.182	ACSS 605.0 kcmil (30/19)
Flamingo	ACSR 666.6 kcmil (24/7)	0.333	1.000	1.620	0.310	1.364	0.182	ACSS 666.6 kcmil (24/7)
Gannet	ACSR 666.6 kcmil (26/7)	0.374	1.014	1.634	0.310	1.378	0.182	ACSS 666.6 kcmil (26/7)
Scooter	ACSR 636.0 kcmil (30/7)	0.437	1.019	1.639	0.310	1.383	0.182	ACSS 636.0 kcmil (30/7)
Egret	ACSR 636.0 kcmil (30/19)	0.437	1.019	1.639	0.310	1.383	0.182	ACSS 636.0 kcmil (30/19)
Stilt	ACSR 715.5 kcmil (24/7)	0.345	1.036	1.656	0.310	1.400	0.182	ACSS 715.5 kcmil (24/7)
Coot	ACSR 795.0 kcmil (36/1)	—	1.040	1.660	0.310	1.404	0.182	ACSS 795.0 kcmil (36/1)
Starling	ACSR 715.5 kcmil (26/7)	0.387	1.051	1.671	0.310	1.415	0.182	ACSS 715.5 kcmil (26/7)
Macaw	ACSR 795.0 kcmil (42/7)	0.463	1.055	1.675	0.310	1.419	0.182	ACSS 795.0 kcmil (42/7)
Tern	ACSR 795.0 kcmil (45/7)	0.266	1.063	1.683	0.310	1.427	0.182	ACSS 795.0 kcmil (45/7)
Redwing	ACSR 715.5 kcmil (30/19)	0.463	1.081	1.701	0.310	1.489	0.204	ACSS 715.5 kcmil (30/19)
Cuckoo	ACSR 795.0 kcmil (24/7)	0.364	1.092	1.712	0.310	1.500	0.204	ACSS 795.0 kcmil (24/7)
Condor	ACSR 795.0 kcmil (54/7)	0.364	1.092	1.712	0.310	1.500	0.204	ACSS 795.0 kcmil (54/7)
Drake	ACSR 795.0 kcmil (26/7)	0.408	1.108	1.728	0.310	1.608	0.250	ACSS 795.0 kcmil (26/7)
Ruddy	ACSR 900.0 kcmil (45/7)	0.283	1.131	1.751	0.310	1.631	0.250	ACSS 900.0 kcmil (45/7)
Catbird	ACSR 954.0 kcmil (36/1)	—	1.140	1.760	0.310	1.640	0.250	ACSS 954.0 kcmil (36/1)
Mallard	ACSR 795.0 kcmil (30/19)	0.489	1.140	1.760	0.310	1.640	0.250	ACSS 795.0 kcmil (30/19)
Crane	ACSR 874.5 kcmil (54/7)	—	1.146	1.766	0.310	1.646	0.250	ACSS 874.5 kcmil (54/7)
Canary	ACSR 900.0 kcmil (54/7)	0.387	1.162	1.782	0.310	1.662	0.250	ACSS 900.0 kcmil (54/7)
Rail	ACSR 954.0 kcmil (45/7)	0.291	1.165	1.785	0.310	1.665	0.250	ACSS 954.0 kcmil (45/7)

ACSR ACSS Conductor Chart (continued)

Conductor Data

Conductor Code Name	Strand	Core Diameter	Cable Diameter	Diameter Over Armor Rods	Rod Diameter	Diameter Over Line Guards	Line Guard Diameter	Size = ACSR Where Offered
Towhee	ACSR 954.0 kcmil (48/7)	0.329	1.175	1.795	0.310	1.675	0.250	ACSS 954.0 kcmil (48/7)
Tanager	ACSR 1033.5 kcmil (36/1)	—	1.186	1.806	0.310	1.686	0.250	ACSS 1033.5 kcmil (36/1)
Redbird	ACSR 954.0 kcmil (24/7)	0.399	1.196	1.816	0.310	1.696	0.250	ACSS 954.0 kcmil (24/7)
Cardinal	ACSR 954.0 kcmil (54/7)	0.399	1.196	1.816	0.310	1.696	0.250	ACSS 954.0 kcmil (54/7)
Snowbird	ACSR 1033.5 kcmil (42/7)	0.262	1.203	1.823	0.310	1.703	0.250	ACSS 1033.5 kcmil (42/7)
Ortolan	ACSR 1033.5 kcmil (45/7)	0.303	1.212	1.942	0.365	1.712	0.250	ACSS 1033.5 kcmil (45/7)
Curlew	ACSR 1033.5 kcmil (54/7)	0.415	1.245	1.975	0.365	1.745	0.250	ACSS 1033.5 kcmil (54/7)
Canvasback	ACSR 954.0 kcmil (30/19)	0.535	1.248	1.978	0.365	1.748	0.250	ACSS 954.0 kcmil (30/19)
Bluejay	ACSR 1113.0 kcmil (45/7)	0.315	1.259	1.989	0.365	1.759	0.250	ACSS 1113.0 kcmil (45/7)
Finch	ACSR 1113.0 kcmil (54/19)	0.431	1.293	2.023	0.365	1.793	0.250	ACSS 1113.0 kcmil (54/19)
Bunting	ACSR 1192.5 kcmil (45/7)	0.326	1.302	2.032	0.365	1.802	0.250	ACSS 1192.5 kcmil (45/7)
Skylark	ACSR 1272.0 kcmil (36/1)	—	1.316	2.046	0.365	1.816	0.250	ACSS 1272.0 kcmil (36/1)
Grackle	ACSR 1192.5 kcmil (54/19)	0.446	1.338	2.068	0.365	1.838	0.250	ACSS 1192.5 kcmil (54/19)
Bittern	ACSR 1272.0 kcmil (45/7)	0.336	1.345	2.075	0.365	1.845	0.250	ACSS 1272.0 kcmil (45/7)
Pheasant	ACSR 1272.0 kcmil (54/19)	0.461	1.382	2.112	0.365	1.882	0.250	ACSS 1272.0 kcmil (54/19)
Dipper	ACSR 1351.5 kcmil (45/7)	0.347	1.386	2.116	0.365	1.886	0.250	ACSS 1351.5 kcmil (45/7)
Martin	ACSR 1351.5 kcmil (54/19)	0.475	1.424	2.296	0.436	2.044	0.310	ACSS 1351.5 kcmil (54/19)
Bobolink	ACSR 1431.0 kcmil (45/7)	0.357	1.427	2.299	0.436	2.047	0.310	ACSS 1431.0 kcmil (45/7)
Plover	ACSR 1431.0 kcmil (54/19)	0.489	1.465	2.337	0.436	2.085	0.310	ACSS 1431.0 kcmil (54/19)
Nuthatch	ACSR 1510.5 kcmil (45/7)	0.366	1.466	2.338	0.436	2.086	0.310	ACSS 1510.5 kcmil (45/7)
Ratite	ACSR 1590.0 kcmil (42/7)	0.324	1.492	2.364	0.436	2.112	0.310	ACSS 1590.0 kcmil (42/7)
Lapwing	ACSR 1590.0 kcmil (45/7)	0.376	1.502	2.374	0.436	2.122	0.310	ACSS 1590.0 kcmil (45/7)
Parrot	ACSR 1510.5 kcmil (54/19)	0.502	1.505	2.377	0.436	2.125	0.310	ACSS 1510.5 kcmil (54/19)
Falcon	ACSR 1590.0 kcmil (54/19)	0.515	1.545	2.417	0.436	—	—	ACSS 1590.0 kcmil (54/19)
Chukar	ACSR 1780.0 kcmil (84/19)	0.437	1.602	2.474	0.436	—	—	ACSS 1780.0 kcmil (84/19)
Seahawk	ACSR 1869.0 kcmil (68/7)	—	1.603	2.475	0.436	—	—	ACSS 1869.0 kcmil (68/7)
Mockingbird	ACSR 2034.5 kcmil (72/7)	0.336	1.681	2.553	0.436	—	0.365	ACSS 2034.5 kcmil (72/7)
Roadrunner	ACSR 2057.0 kcmil (76/19)	0.384	1.700	2.572	0.436	—	0.365	ACSR 2057.0 kcmil (76/19)
Kiwi	ACSR 2167.0 kcmil (72/7)	0.347	1.735	2.607	0.436	—	0.365	ACSS 2167.0 kcmil (72/7)
Bluebird	ACSR 2156.0 kcmil (84/19)	0.481	1.762	2.634	0.436	—	—	ACSS 2156.0 kcmil (84/19)
Thrasher	ACSR 2312.0 kcmil (76/19)	0.407	1.802	2.674	0.436	—	—	ACSS 2312.0 kcmil (76/19)
Joree	ACSR 2515.0 kcmil (76/19)	0.425	1.880	2.752	0.436	—	—	ACSS 2515.0 kcmil (76/19)

ACSR/TW & ACSS/TW Conductor Chart

Conductor Data

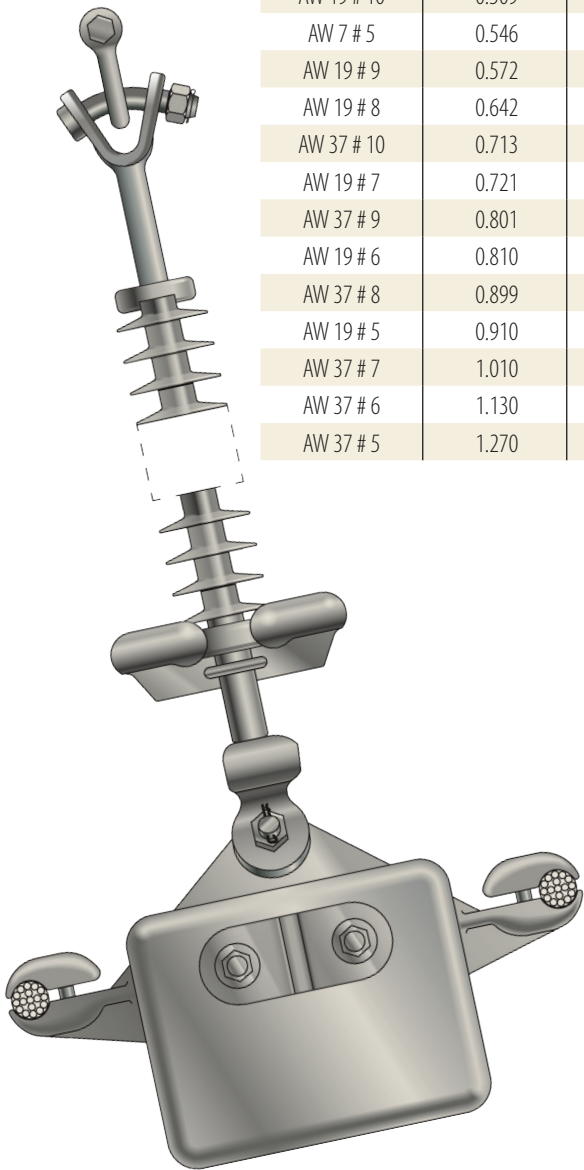
Conductor Code Name	Strand	Core Diameter	Cable Diameter	Diameter Over Armor Rods	Rod Diameter	Diameter Over Line Guards	Line Guard Diameter
Partridge	266.8 kcmil Type 16	0.236	0.591	0.955	0.182	0.833	0.121
Oriole	336.4 kcmil Type 23	0.318	0.693	1.101	0.204	0.985	0.146
Flicker	477.0 kcmil Type 13	0.282	0.776	1.184	0.204	1.068	0.146
Hawk	477.0 kcmil Type 16	0.316	0.789	1.289	0.250	1.081	0.146
Hen	477.0 kcmil Type 23	0.378	0.825	1.325	0.250	1.117	0.146
Parakeet	556.5 kcmil Type 13	0.305	0.835	1.335	0.250	1.127	0.146
Dove	556.5 kcmil Type 16	0.341	0.852	1.352	0.250	1.144	0.146
Calumet	565.3 kcmil Type 16	0.344	0.858	1.358	0.250	1.150	0.146
Mohawk	571.7 kcmil Type 13	0.309	0.846	1.346	0.250	1.138	0.146
Rook	636.0 kcmil Type 13	0.326	0.890	1.390	0.250	1.182	0.146
Grosbeak	636.0 kcmil Type 16	0.365	0.908	1.408	0.250	1.242	0.167
Oswego	664.8 kcmil Type 16	0.373	0.927	1.427	0.250	1.261	0.167
Mystic	666.6 kcmil Type 13	0.333	0.913	1.413	0.250	1.247	0.167
Wabash	762.8 kcmil Type 16	0.399	0.990	1.610	0.310	1.354	0.182
Maumee	768.2 kcmil Type 13	0.359	0.977	1.597	0.310	1.341	0.182
Tern	795.0 kcmil Type 7	0.266	0.960	1.460	0.250	1.324	0.182
Condor	795.0 kcmil Type 13	0.364	0.993	1.613	0.310	1.357	0.182
Drake	795.0 kcmil Type 16	0.408	1.010	1.630	0.310	1.374	0.182
Canary	900.0 kcmil Type 13	0.387	1.080	1.700	0.310	1.488	0.204
Fraser	946.7 kcmil Type 10	0.346	1.077	1.697	0.310	1.485	0.204
Rail	954.0 kcmil Type 7	0.291	1.061	1.681	0.310	1.425	0.182
Cardinal	954.0 kcmil Type 13	0.399	1.084	1.704	0.310	1.492	0.204
Kettle	957.2 kcmil Type 7	0.292	1.060	1.680	0.310	1.424	0.182
Suwanee	959.6 kcmil Type 16	0.448	1.108	1.728	0.310	1.608	0.250
Columbia	966.2 kcmil Type 13	0.401	1.092	1.712	0.310	1.500	0.204
Ortolan	1033.5 kcmil Type 7	0.303	1.102	1.722	0.310	1.602	0.250
Curlew	1033.5 kcmil Type 13	0.415	1.129	1.749	0.310	1.629	0.250
Bluejay	1113.0 kcmil Type 7	0.315	1.143	1.763	0.310	1.643	0.250
Finch	1113.0 kcmil Type 13	0.431	1.185	1.805	0.310	1.685	0.250
Genesee	1158.0 kcmil Type 7	0.323	1.165	1.785	0.310	1.665	0.250
Hudson	1158.4 kcmil Type 13	0.440	1.196	1.816	0.310	1.696	0.250
Cheyenne	1168.1 kcmil Type 5	0.278	1.155	1.775	0.310	1.655	0.250

ACSR/TW & ACSS/TW Conductor Chart *(continued)*

Conductor Data							
Bunting	1192.5 kcmil Type 7	0.326	1.181	1.801	0.310	1.681	0.250
Grackle	1192.5 kcmil Type 13	0.446	1.225	1.955	0.365	1.725	0.250
Yukon	1233.6 kcmil Type 13	0.455	1.245	1.975	0.365	1.745	0.250
Nelson	1257.1 kcmil Type 7	0.335	1.213	1.943	0.365	1.713	0.250
Scissortail	1272.0 kcmil Type 5	0.290	1.203	1.933	0.365	1.703	0.250
Bittern	1272.0 kcmil Type 7	0.336	1.220	1.950	0.365	1.720	0.250
Pheasant	1272.0 kcmil Type 13	0.461	1.264	1.994	0.365	1.764	0.250
Thames	1334.6 kcmil Type 13	0.472	1.290	2.020	0.365	1.790	0.250
Dipper	1351.5 kcmil Type 7	0.347	1.256	1.986	0.365	1.756	0.250
Martin	1351.5 kcmil Type 13	0.475	1.300	2.030	0.365	1.800	0.250
Mackenzie	1359.7 kcmil Type 7	0.348	1.259	1.989	0.365	1.759	0.250
Truckee	1372.5 kcmil Type 5	0.301	1.248	1.978	0.365	1.748	0.250
Bobolink	1431.0 kcmil Type 7	0.357	1.291	2.021	0.365	1.791	0.250
Plover	1431.0 kcmil Type 13	0.489	1.337	2.067	0.365	1.837	0.250
Merrimack	1433.6 kcmil Type 13	0.489	1.340	2.070	0.365	1.840	0.250
Miramichi	1455.3 kcmil Type 7	0.360	1.302	2.032	0.365	1.802	0.250
St. Croix	1467.8 kcmil Type 5	0.312	1.292	2.022	0.365	1.792	0.250
Rio Grande	1533.3 kcmil Type 13	0.506	1.382	2.112	0.365	1.882	0.250
Potomac	1557.4 kcmil Type 7	0.372	1.345	2.075	0.365	1.845	0.250
Platte	1569.0 kcmil Type 5	0.322	1.334	2.064	0.365	1.834	0.250
Lapwing	1590.0 kcmil Type 7	0.376	1.358	2.088	0.365	1.858	0.250
Falcon	1590.0 kcmil Type 13	0.515	1.408	2.280	0.436	2.028	0.310
Pecos	1622.0 kcmil Type 13	0.532	1.424	2.296	0.436	2.044	0.310
Schuykill	1657.4 kcmil Type 7	0.384	1.386	2.116	0.365	1.886	0.250
James	1730.6 kcmil Type 13	0.538	1.470	2.342	0.436	2.090	0.310
Pee Dee	1758.6 kcmil Type 7	0.396	1.427	2.299	0.436	2.047	0.310
Chukar	1780.0 kcmil Type 8	0.437	1.445	2.317	0.436	2.065	0.310
Cumberland	1926.9 kcmil Type 13	0.567	1.545	2.417	0.436	—	—
Athabaska	1949.6 kcmil Type 7	0.418	1.504	2.376	0.436	2.124	0.310
Powder	2153.8 kcmil Type 8	0.481	1.602	2.474	0.436	—	—
Bluebird	2156.0 kcmil Type 8	0.481	1.608	2.480	0.436	—	—
Santee	2627.3 kcmil Type 8	0.531	1.762	2.634	0.436	—	—

AW EHS Conductor Chart

Conductor Data							
AW 3 # 10	0.220	0.424	0.102	EHS ¼" str (3)	0.250	0.422	0.086
AW 7 # 12	0.242	0.446	0.102	EHS ¼" str (7)	0.250	0.422	0.086
AW 3 # 9	0.247	0.451	0.102	EHS ⅝" str (3)	0.312	0.512	0.100
AW 3 # 8	0.277	0.505	0.114	EHS ⅝" str (7)	0.312	0.512	0.100
AW 7 # 10	0.306	0.534	0.114	EHS ⅝" str (7)	0.312	0.512	0.100
AW 3 # 7	0.311	0.539	0.114	EHS ¾" str (3)	0.360	0.560	0.100
AW 7 # 9	0.343	0.571	0.114	EHS ¾" str (7)	0.360	0.560	0.100
AW 3 # 6	0.349	0.577	0.114	EHS ⅞" str (7)	0.435	0.673	0.119
AW 7 # 8	0.385	0.613	0.114	EHS ½" str (7)	0.495	0.771	0.138
AW 3 # 5	0.392	0.648	0.128	EHS ½" str (19)	0.495	0.771	0.138
AW 7 # 7	0.433	0.648	0.128	EHS ⅝" str (7)	0.562	—	—
AW 7 # 6	0.486	0.689	0.128	EHS ⅝" str (19)	0.562	—	—
AW 19 # 10	0.509	0.742	0.128	EHS ⅝" str (7)	0.625	—	—
AW 7 # 5	0.546	0.797	0.144	EHS ⅝" str (19)	0.625	—	—
AW 19 # 9	0.572	0.834	0.144	EHS ⅞" str (19)	0.688	—	—
AW 19 # 8	0.642	—	—	EHS ¾" str (19)	0.750	—	—
AW 37 # 10	0.713	—	—	EHS ⅞" str (19)	0.813	—	—
AW 19 # 7	0.721	—	—	EHS ¾" str (19)	0.875	—	—
AW 37 # 9	0.801	—	—	EHS 1" str (19)	0.938	—	—
AW 19 # 6	0.810	—	—	EHS 1" str (19)	1.000	—	—
AW 37 # 8	0.899	—	—	EHS 1" str (37)	1.000	—	—
AW 19 # 5	0.910	—	—	EHS 1⅛" str (37)	1.063	—	—
AW 37 # 7	1.010	—	—	EHS 1⅛" str (37)	1.125	—	—
AW 37 # 6	1.130	—	—	EHS 1⅜" str (37)	1.188	—	—
AW 37 # 5	1.270	—	—	EHS 1¼" str (37)	1.250	—	—



About Hubbell Power Systems

Hubbell Power Systems (HPS) manufactures a wide variety of transmission, distribution, substation, OEM and telecommunications products used by utilities. HPS products are also used in the civil construction, transportation, gas and water industries. Our product line includes construction and switching products, tools, insulators, arresters, pole line hardware, cable accessories, test equipment, transformer bushings and polymer precast enclosures and equipment pads.

Because Hubbell has a policy of continuous product improvement. We reserve the right to change design and specifications without notice.

©Copyright 2017 Hubbell Incorporated
Printed in U.S.A.

CA_05_041_E

www.hubbellpowersystems.com

